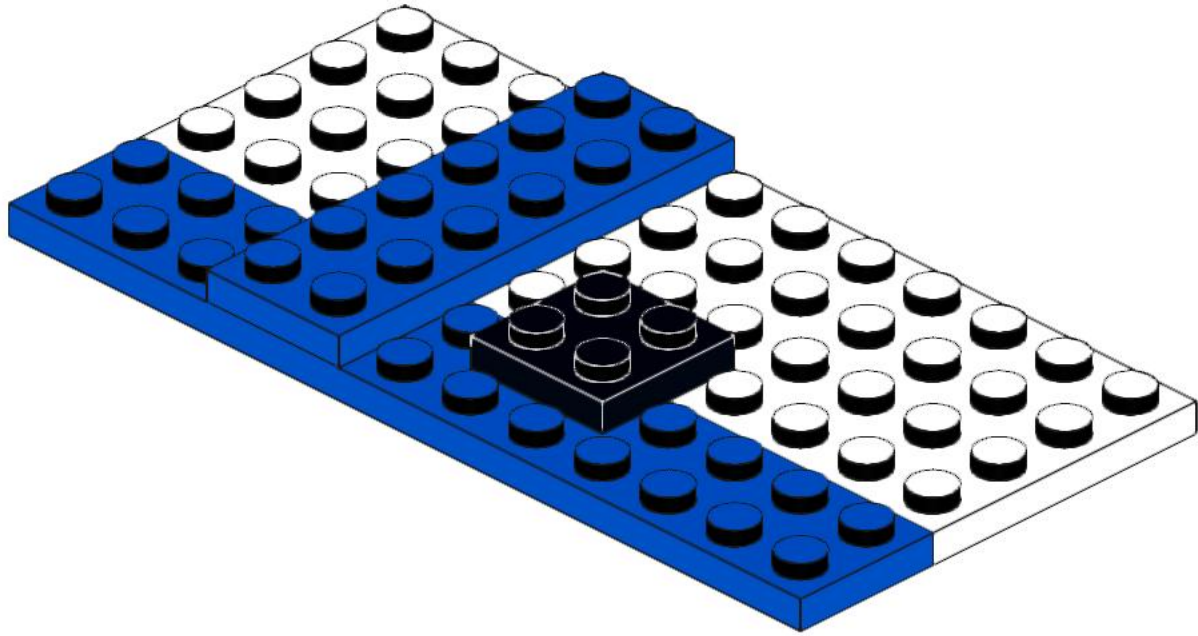
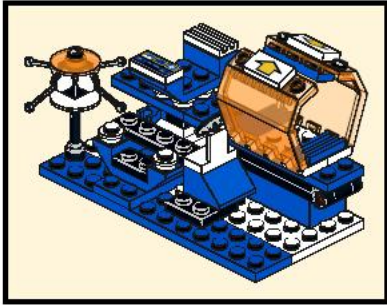
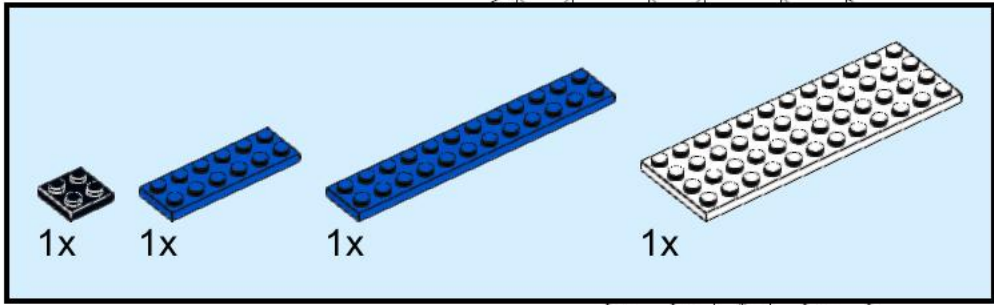


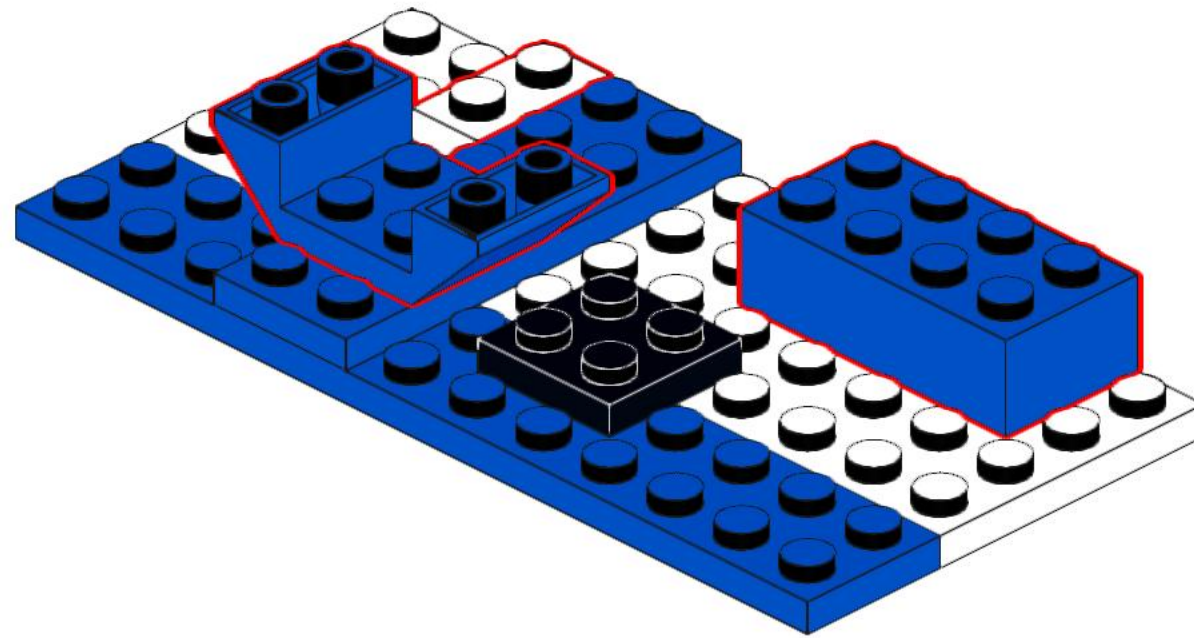
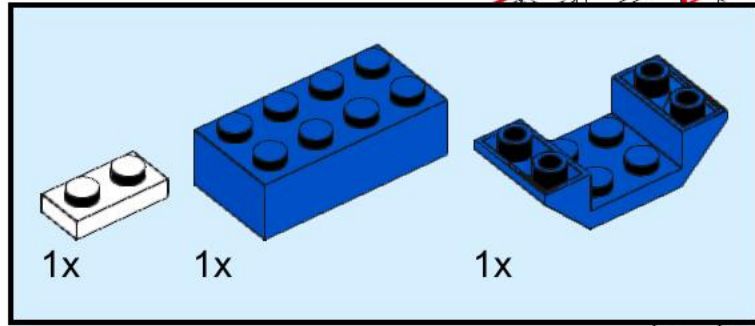
# 6898 - Back B



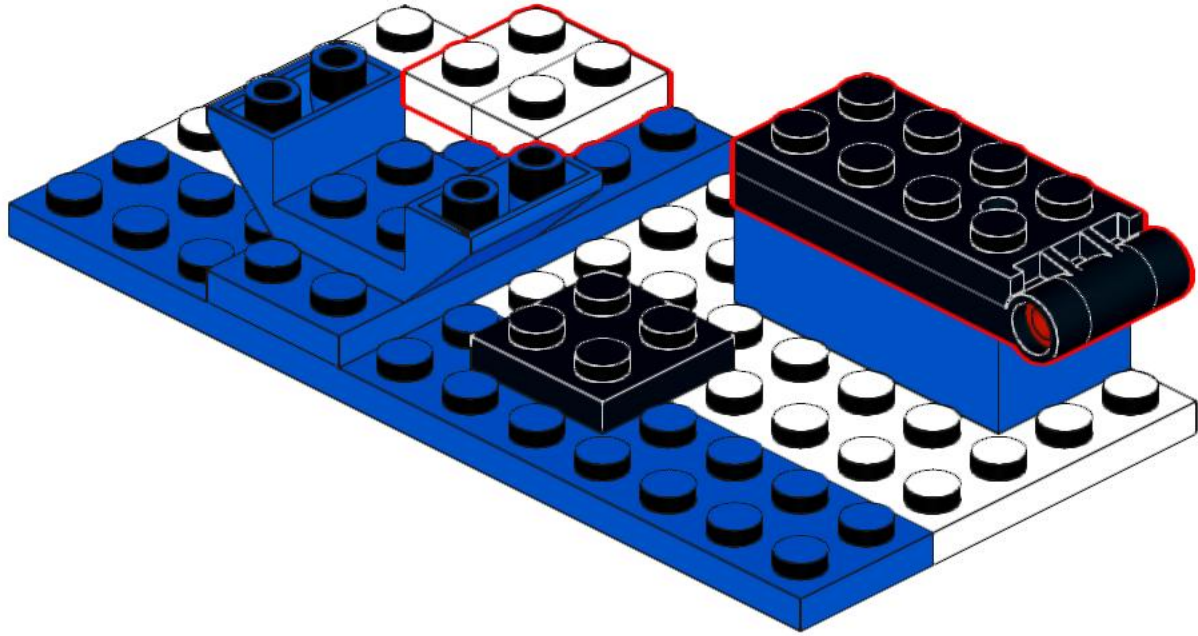
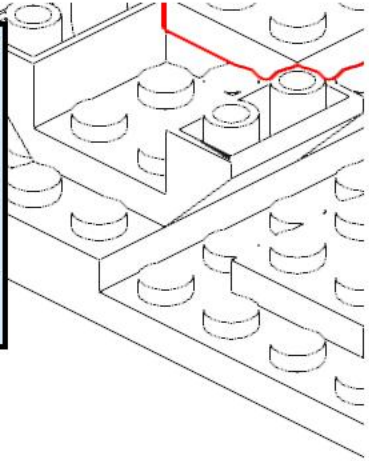
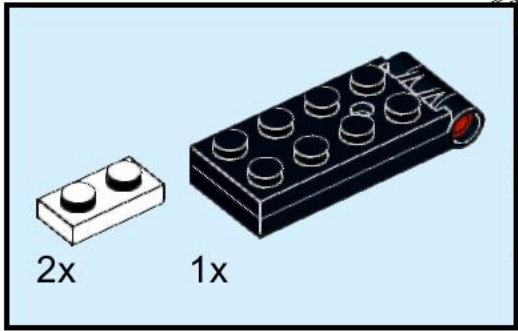
1



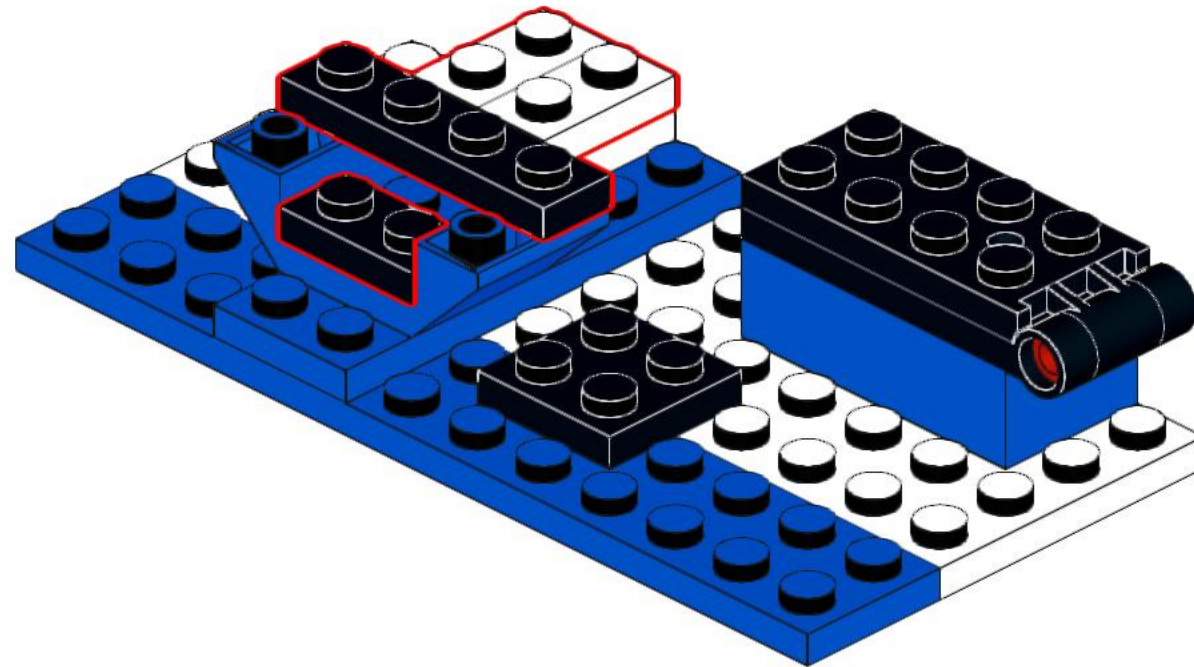
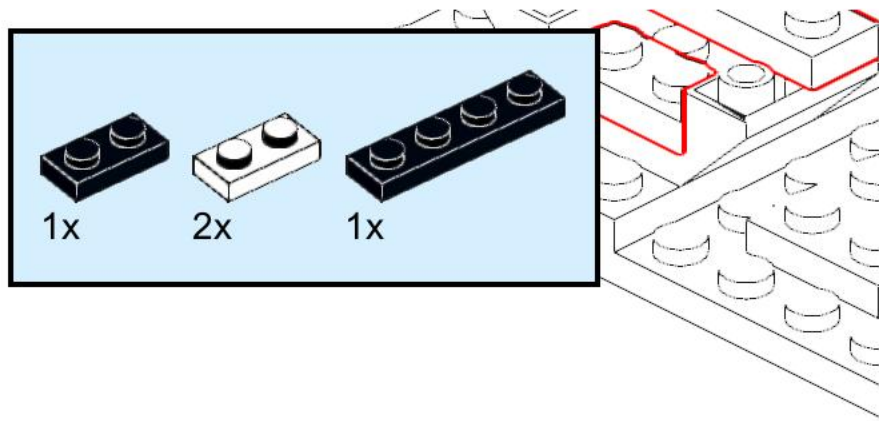
2



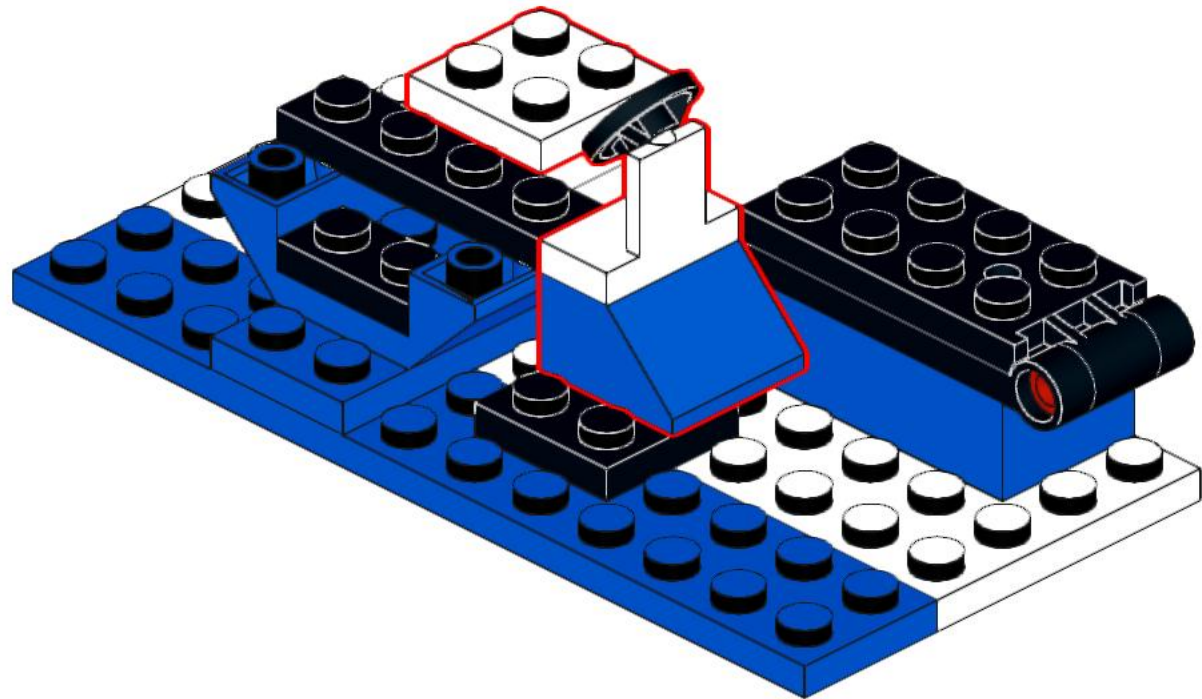
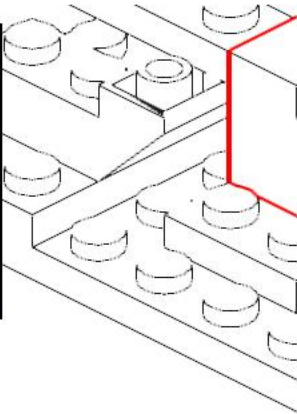
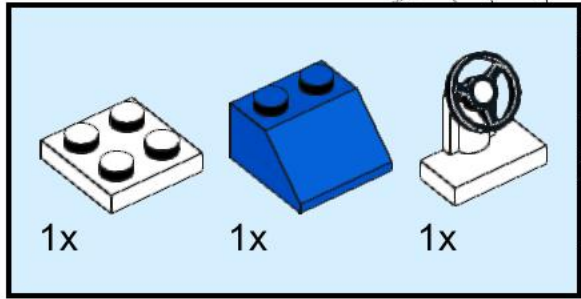
3



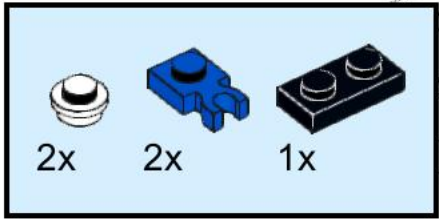
4



# 5

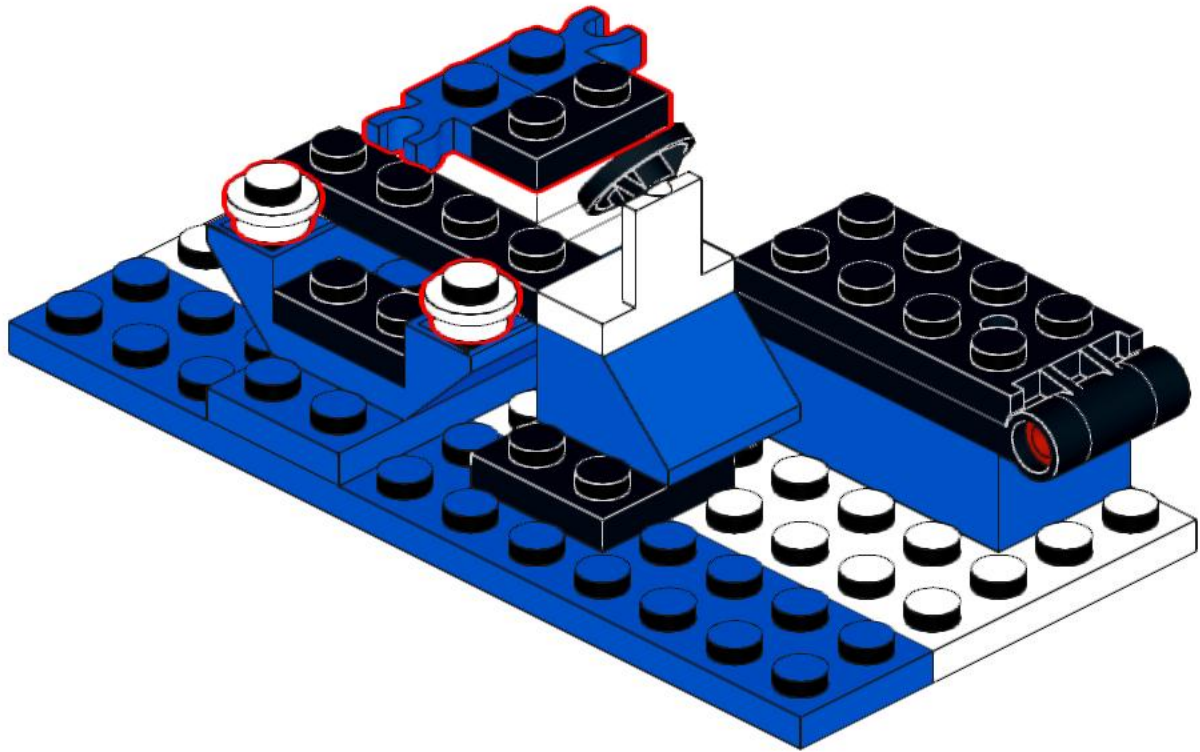
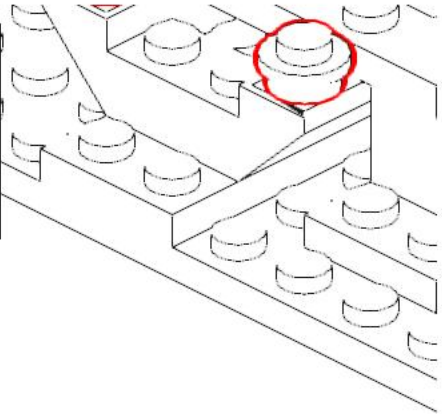


6

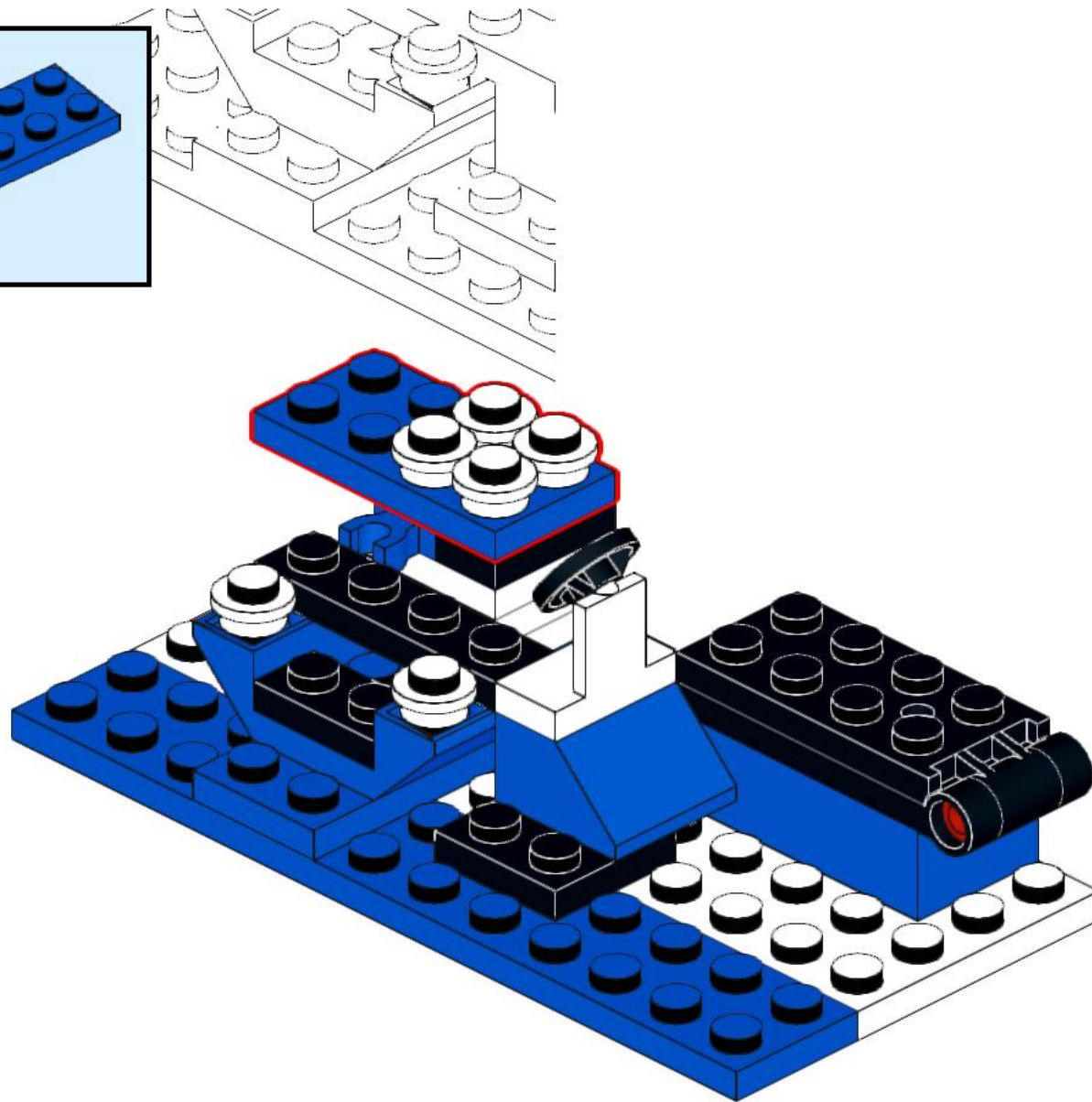
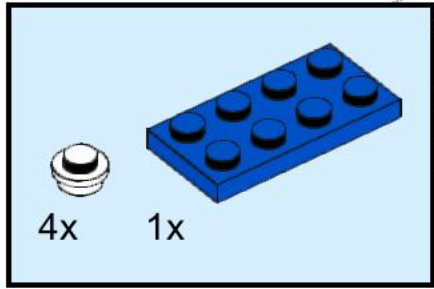


2x 2x 1x

A light blue rectangular box containing three items: a white and black axle pin, a blue 2-way connector, and a black 1x2 Technic brick with two holes. Below each item is its quantity: '2x' for the pin, '2x' for the connector, and '1x' for the brick.

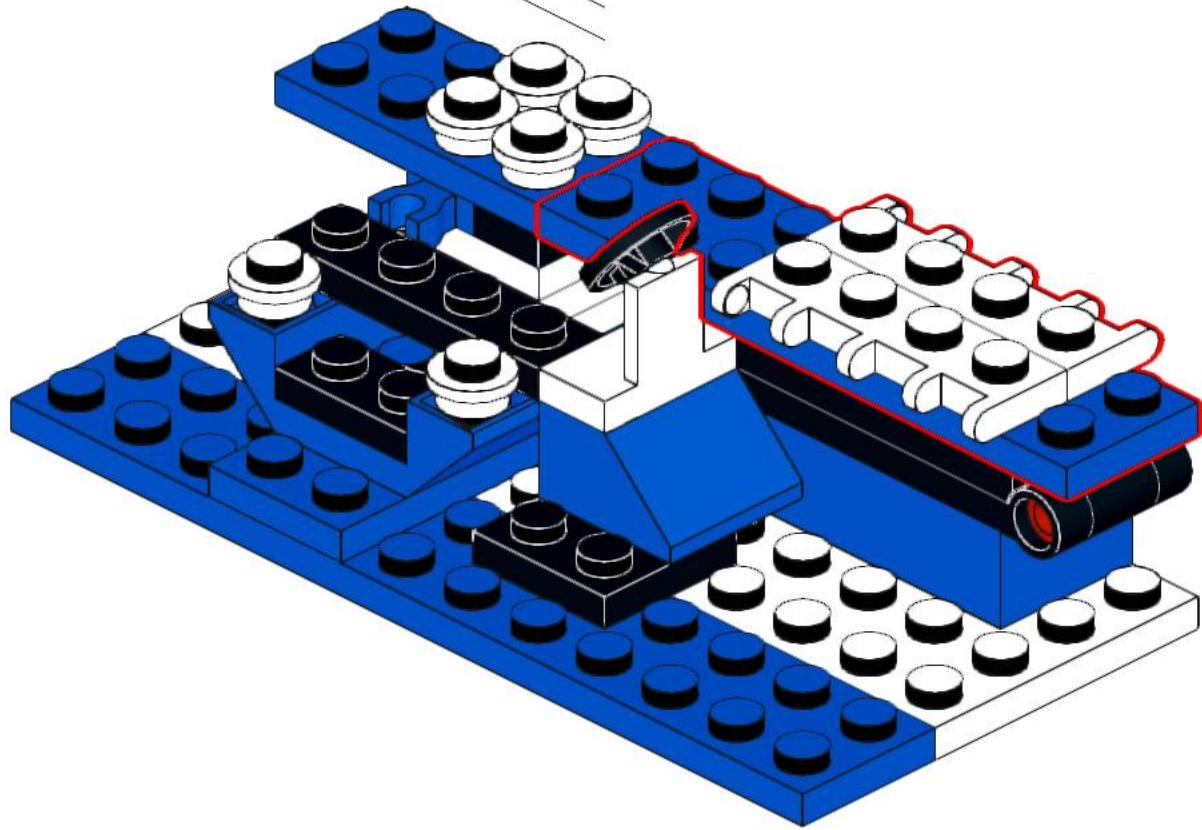
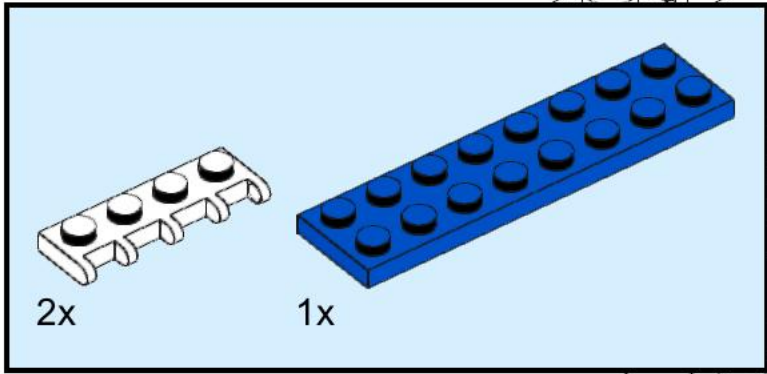


7

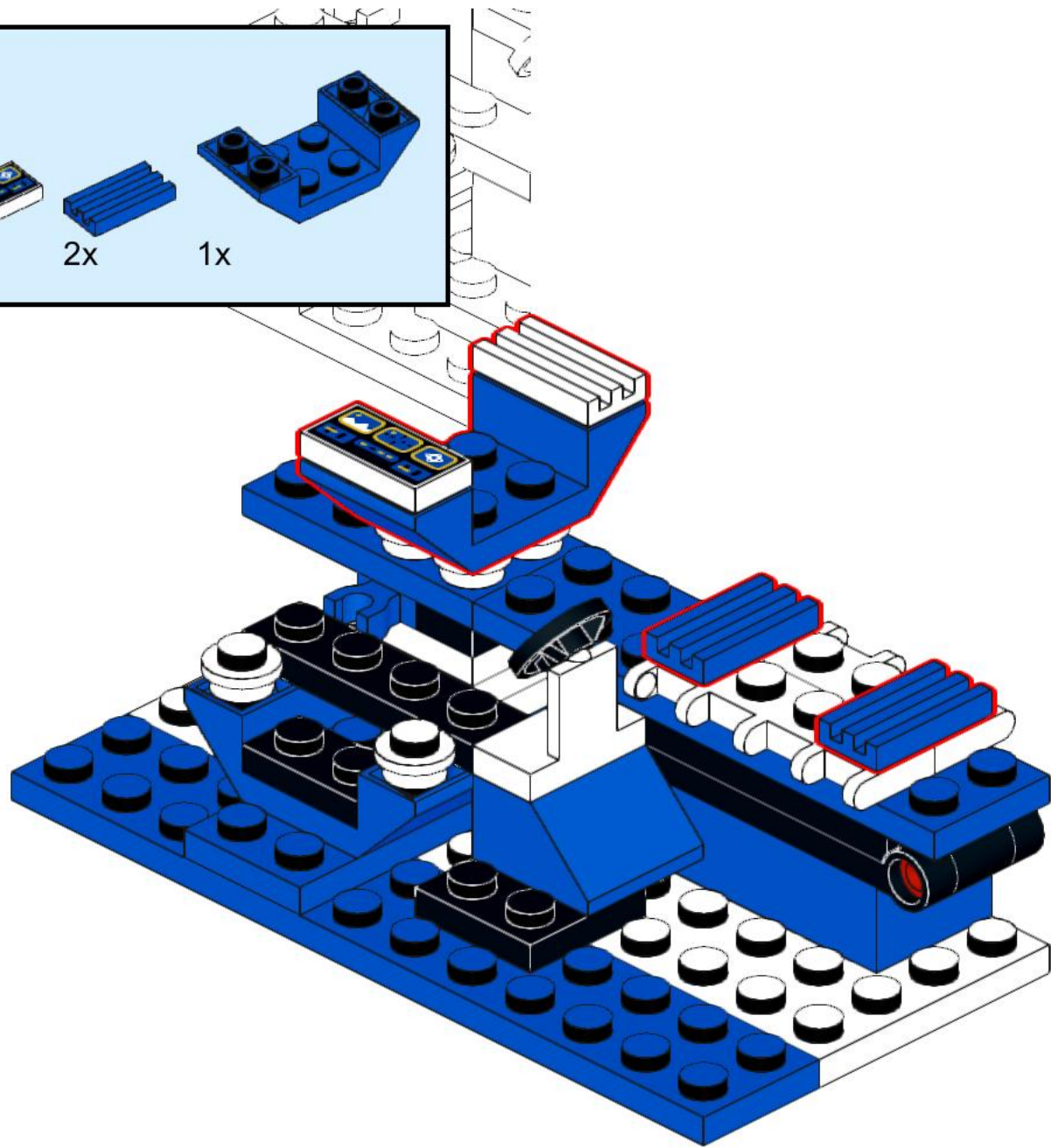
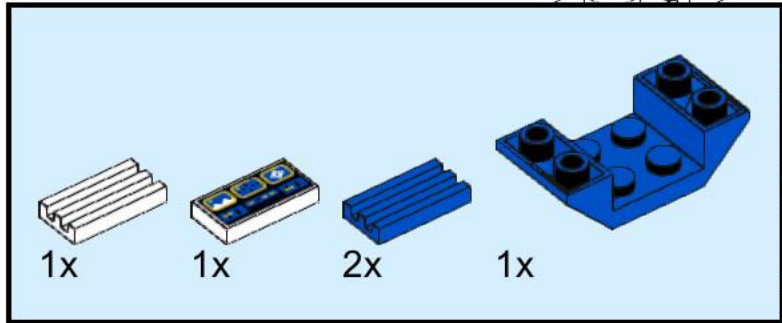




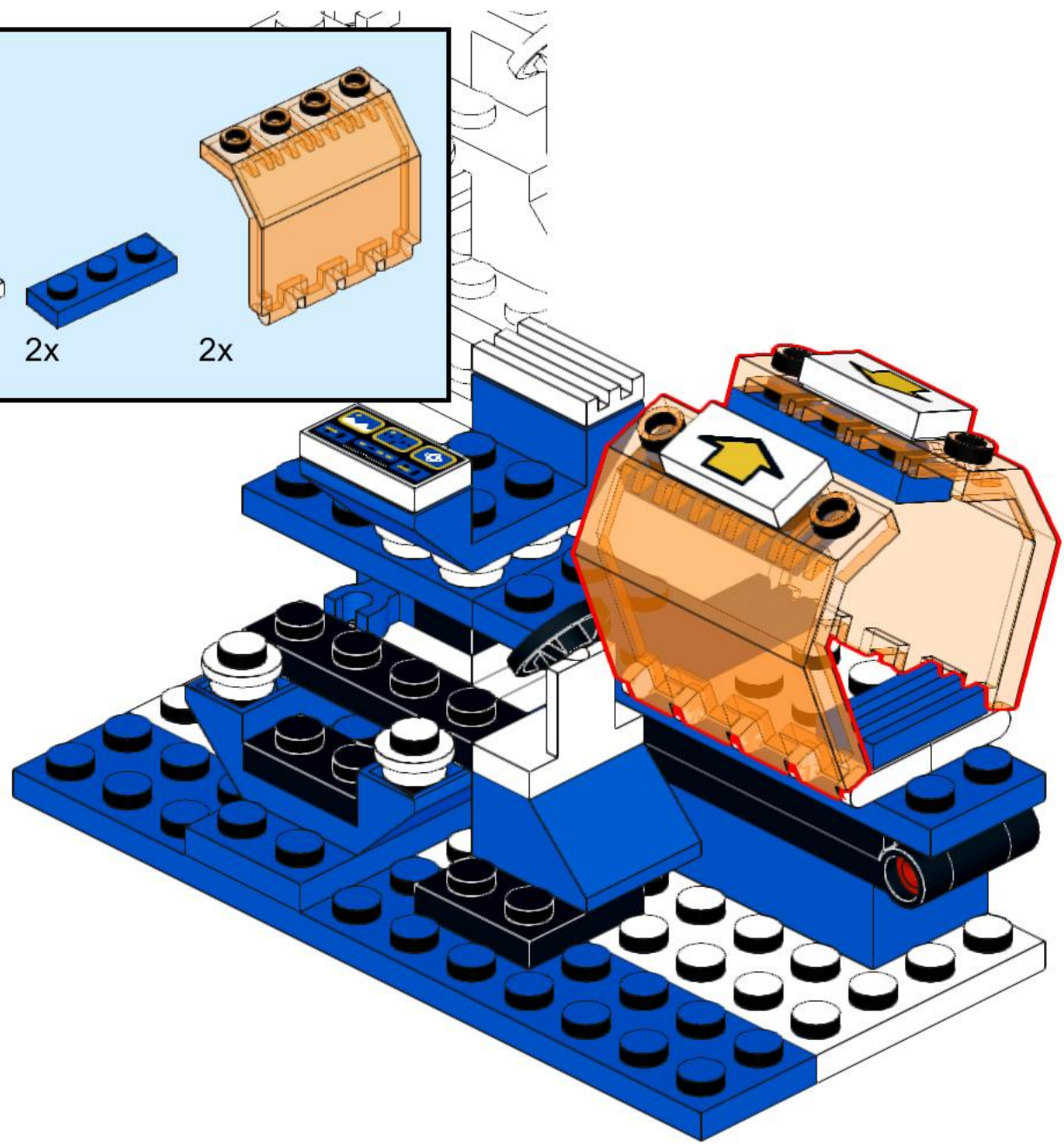
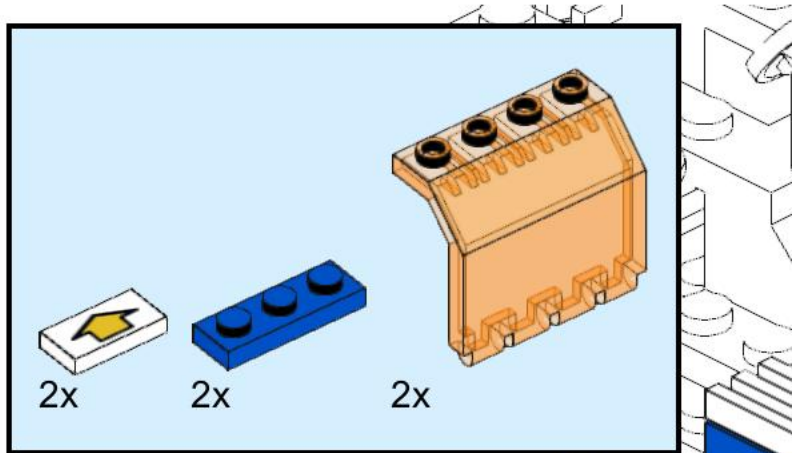
8



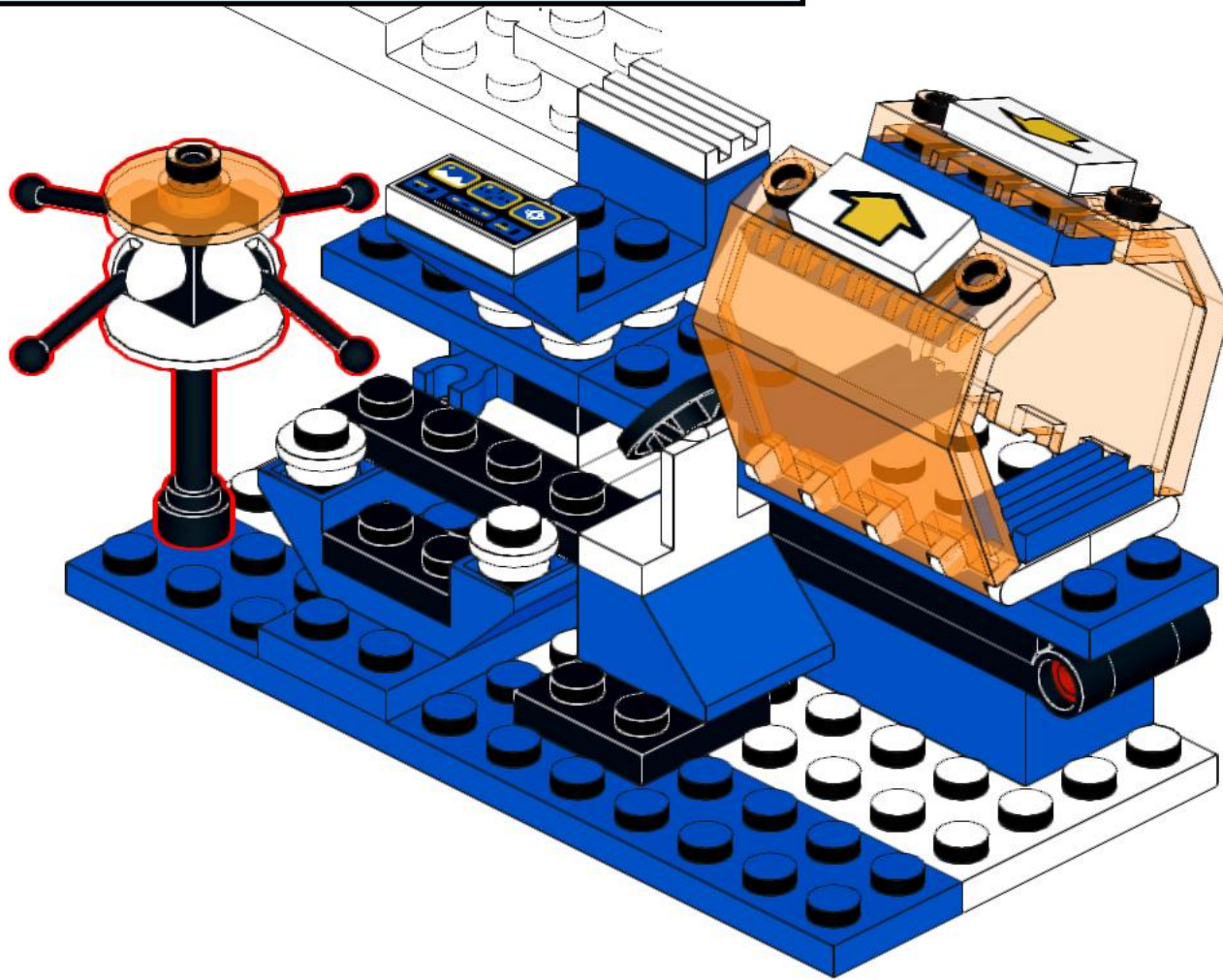
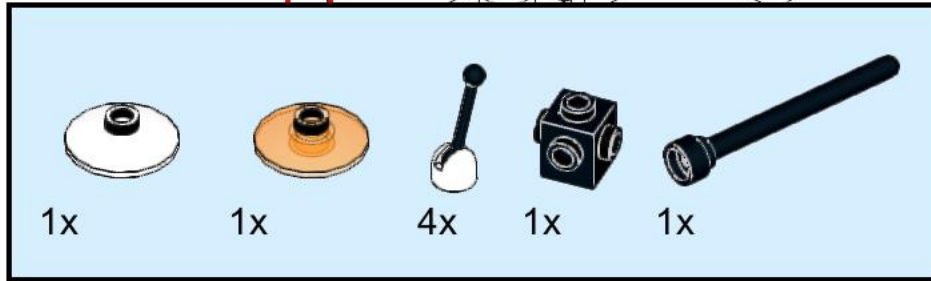
9



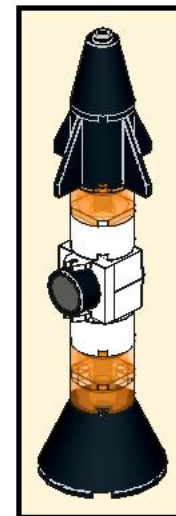
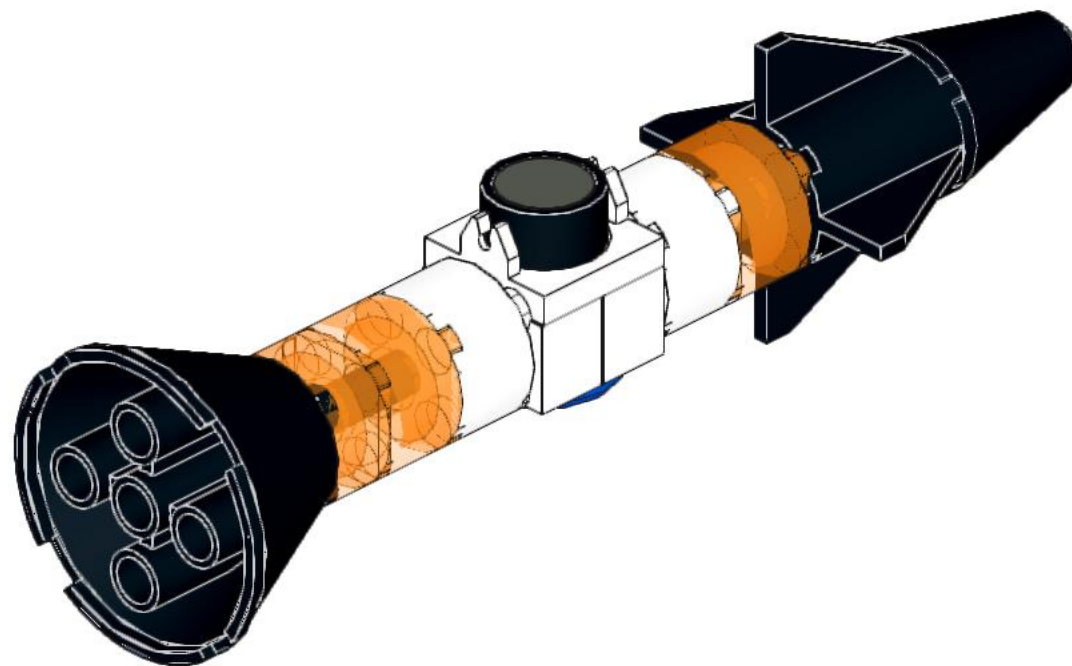
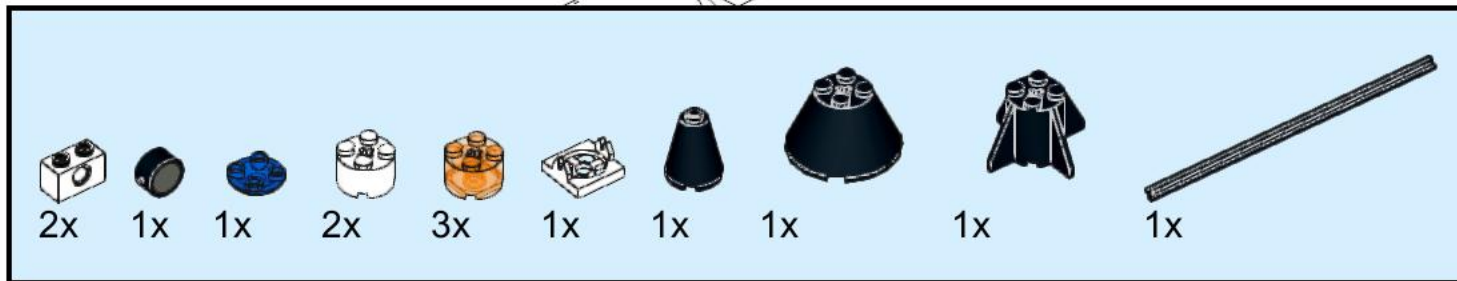
# 10



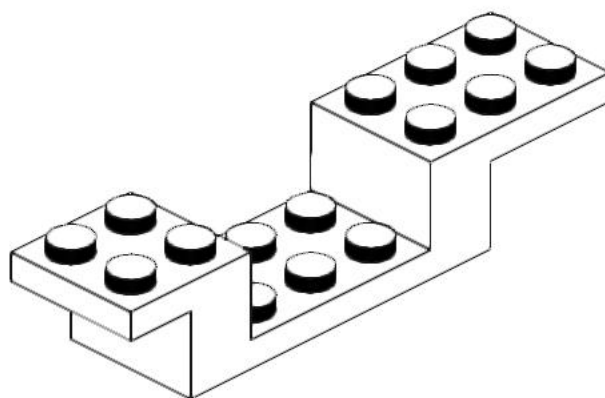
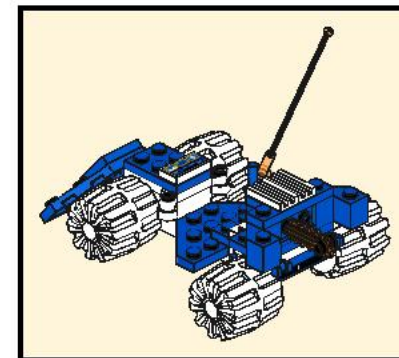
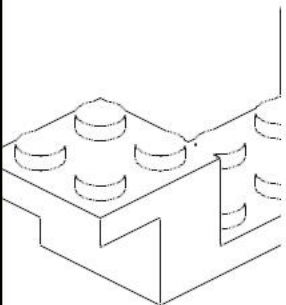
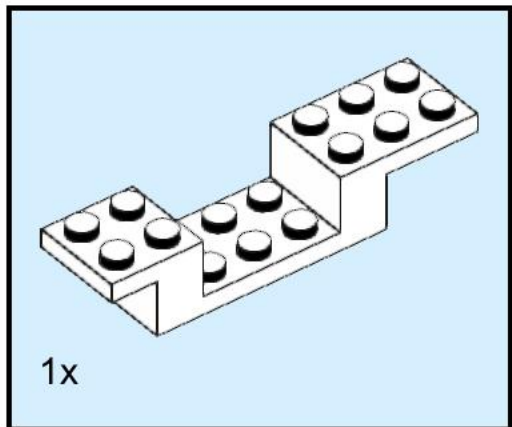
# 11



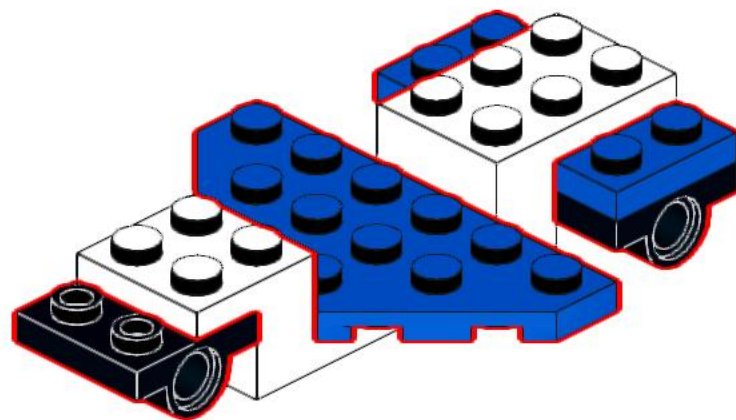
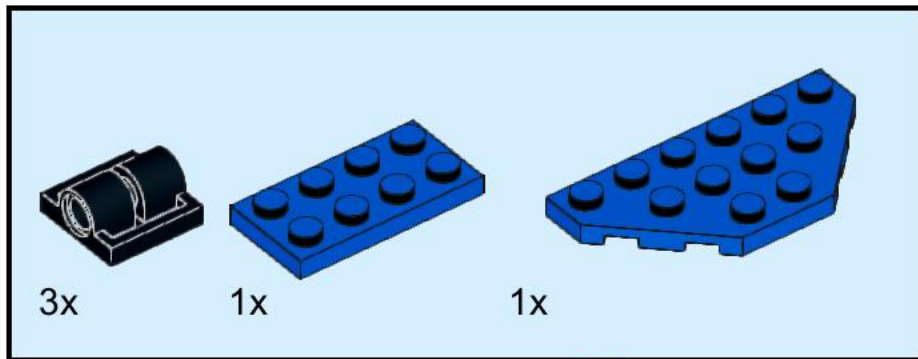
# 12



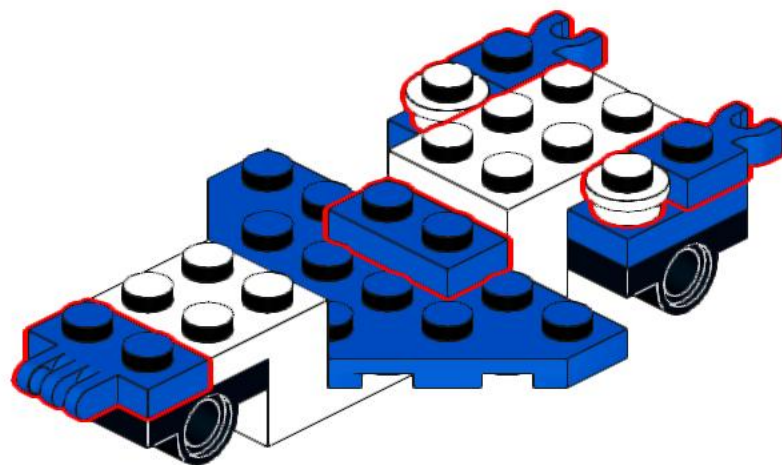
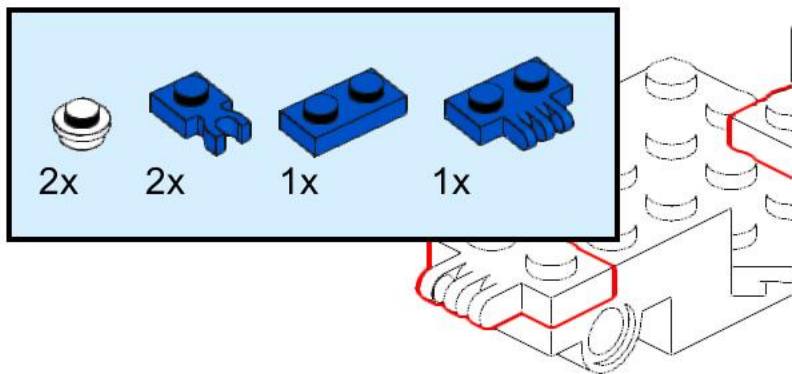
# 13



14

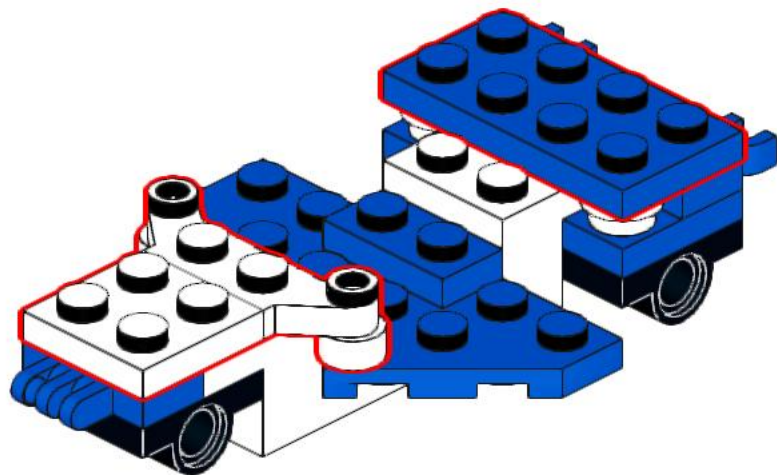
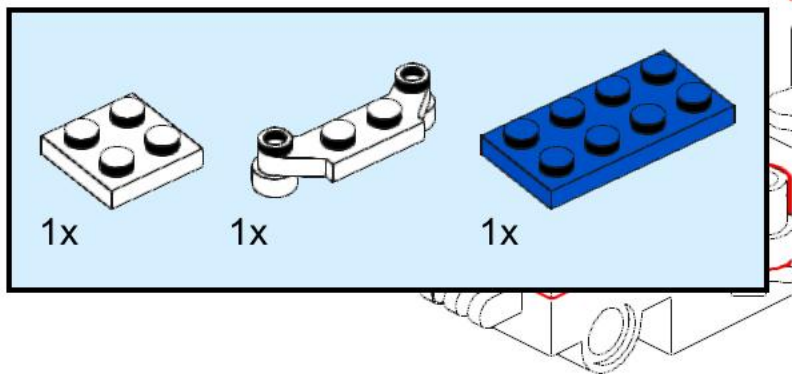


# 15

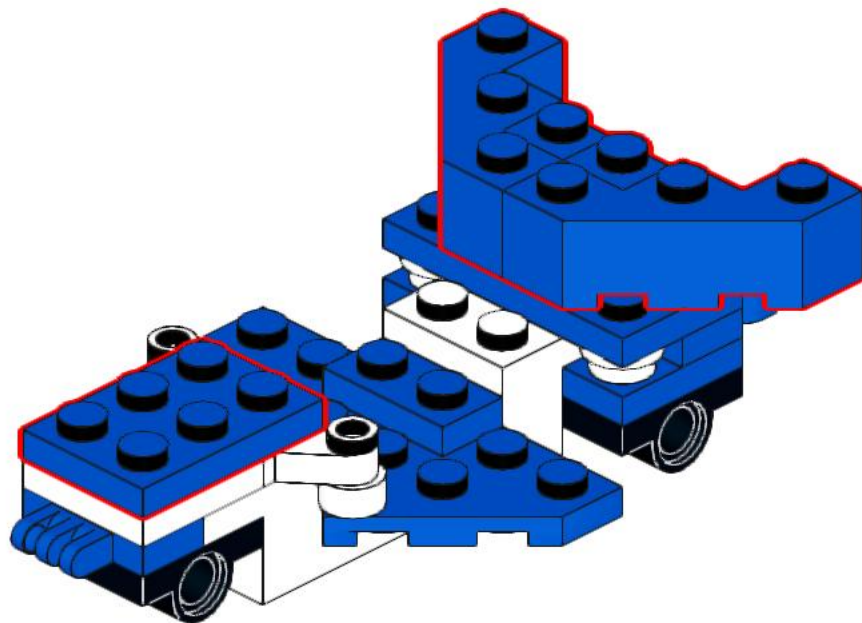
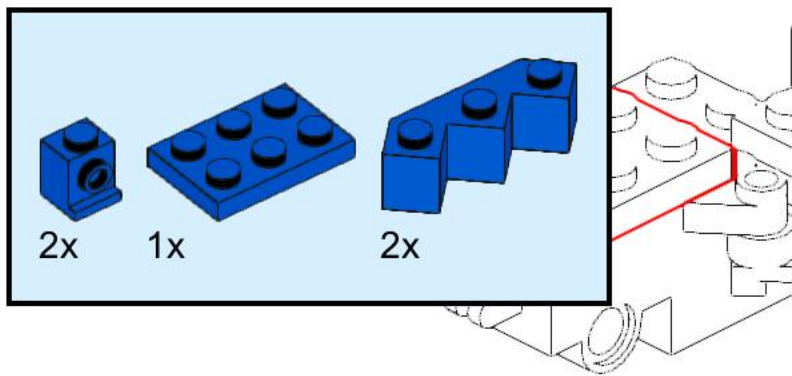




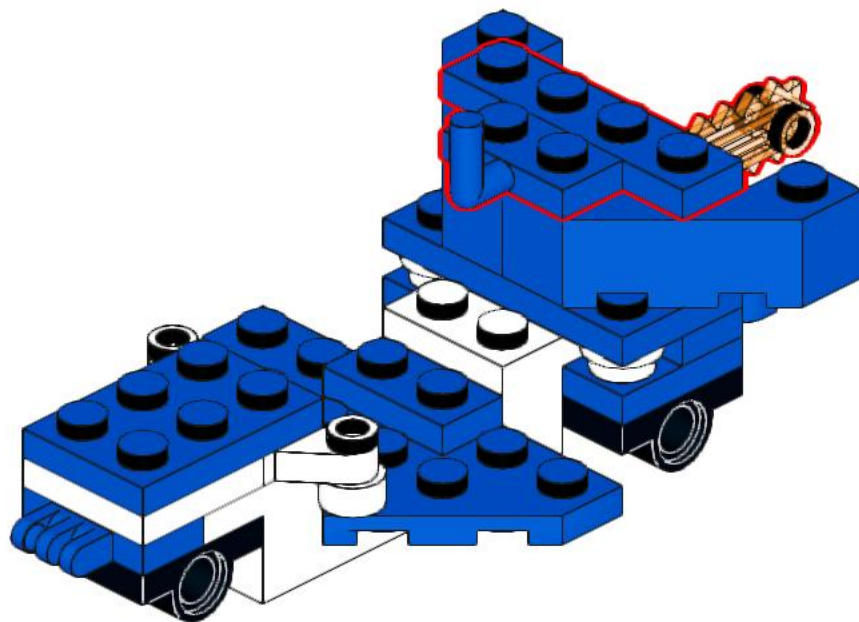
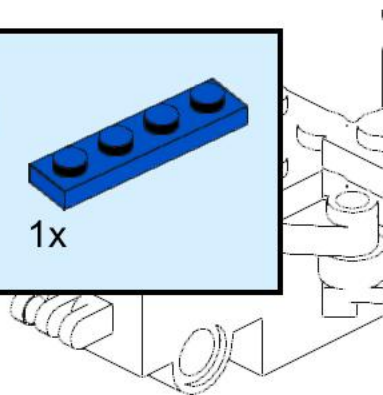
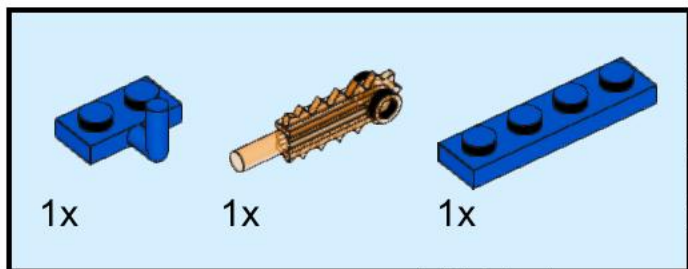
# 16



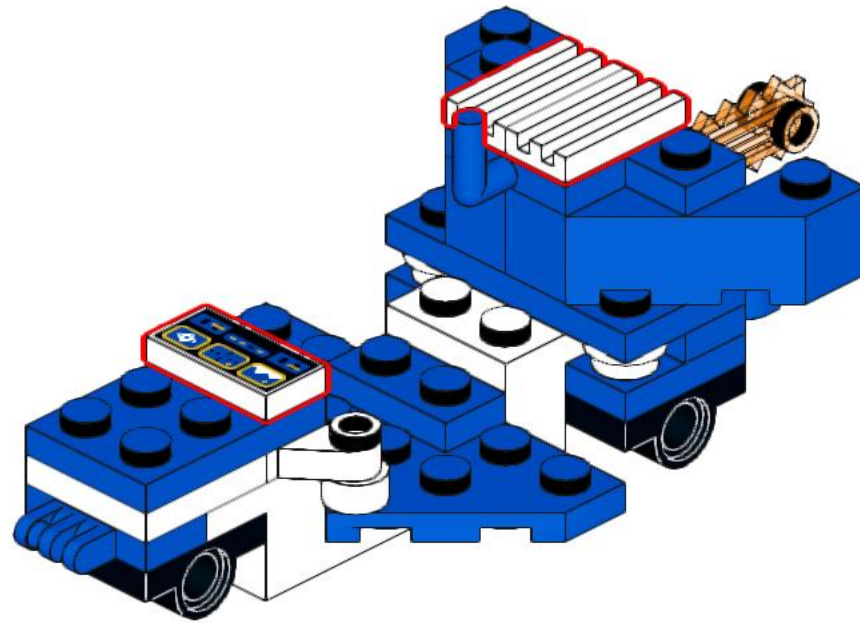
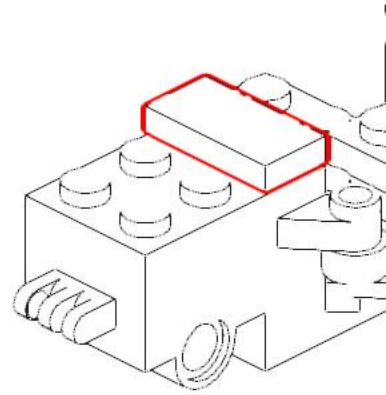
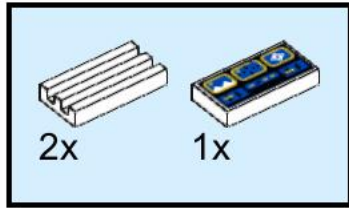
# 17



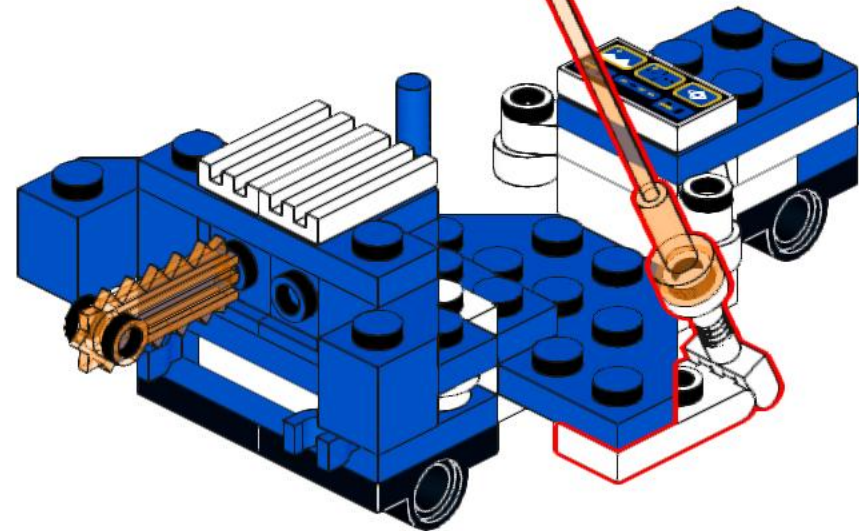
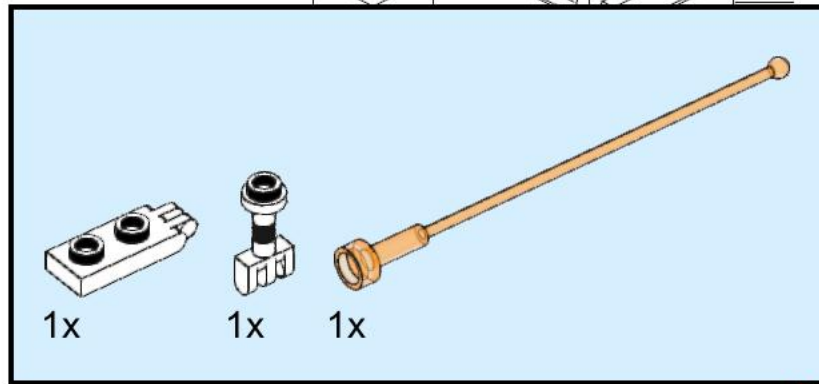
# 18



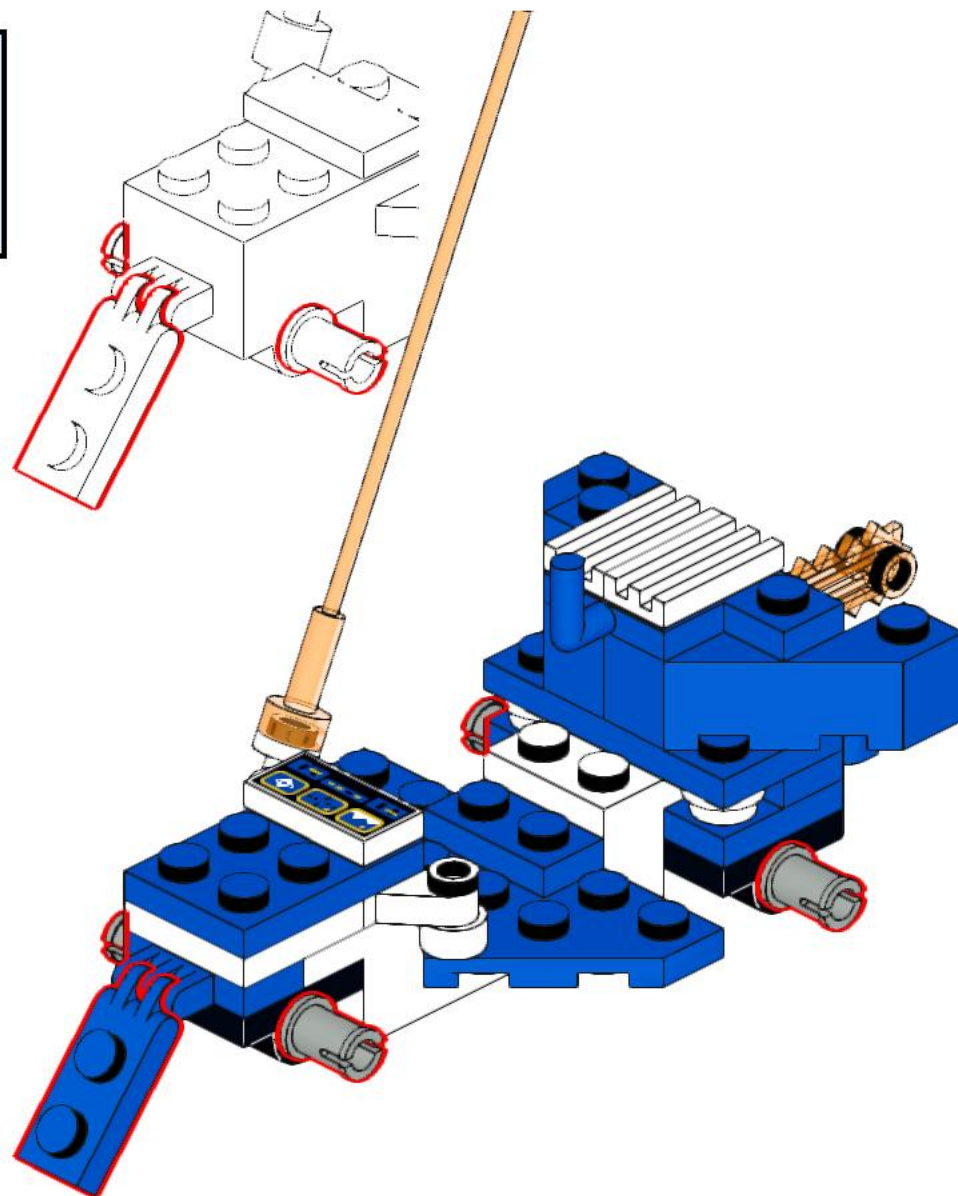
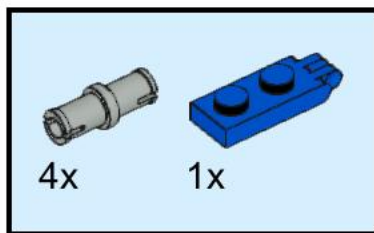
# 19



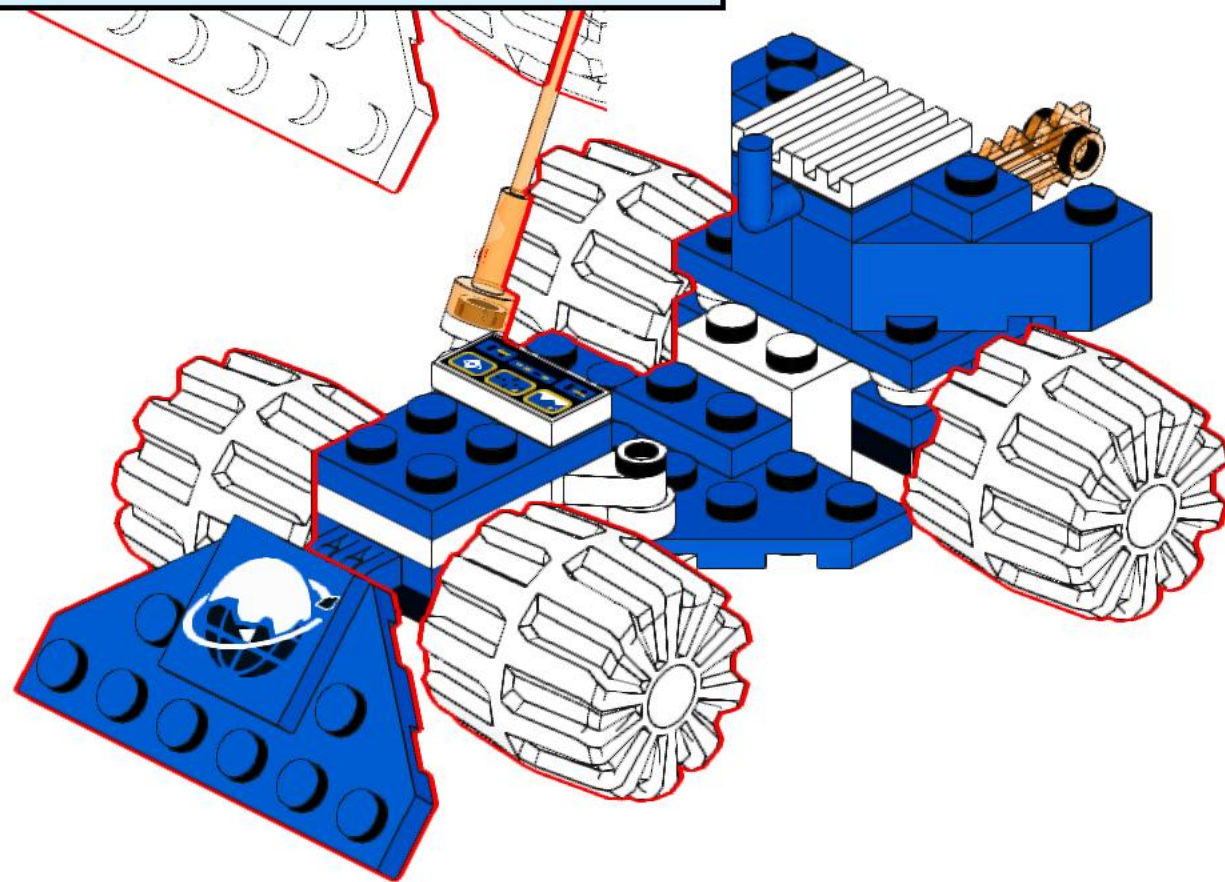
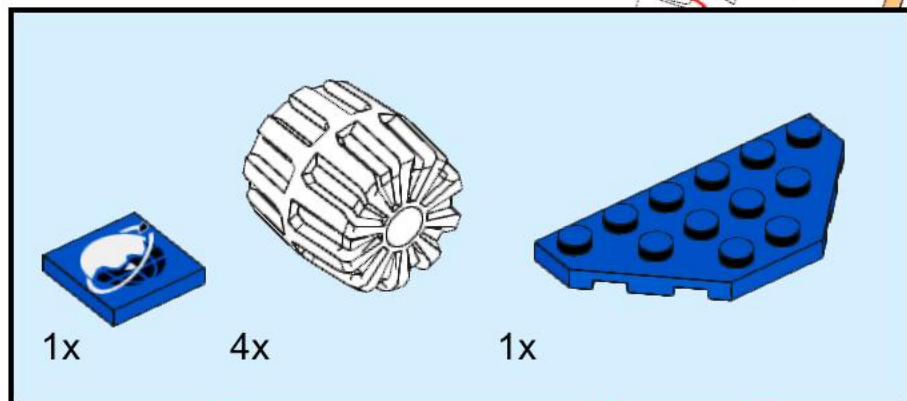
# 20



# 21



# 22



23

