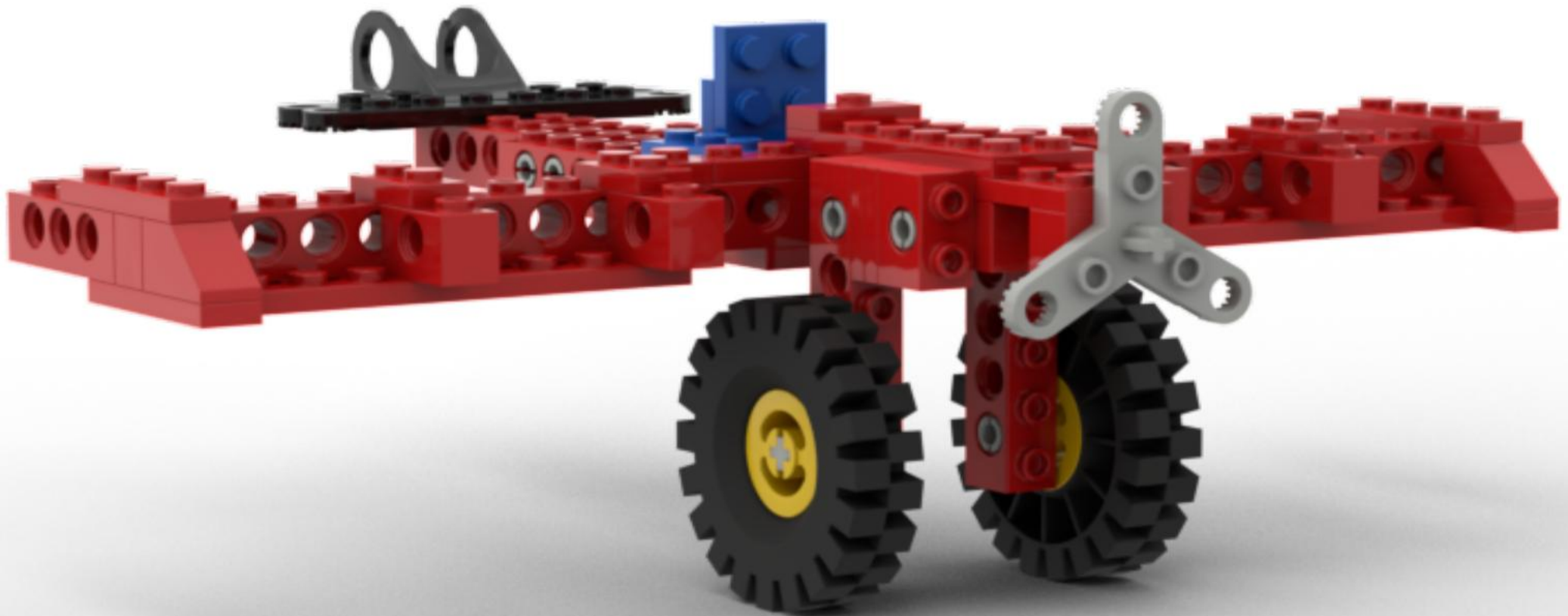
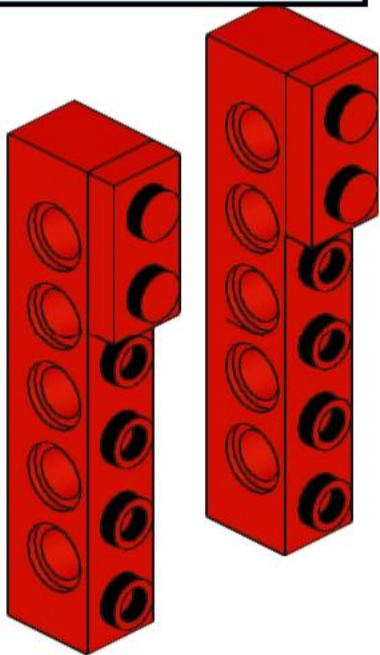
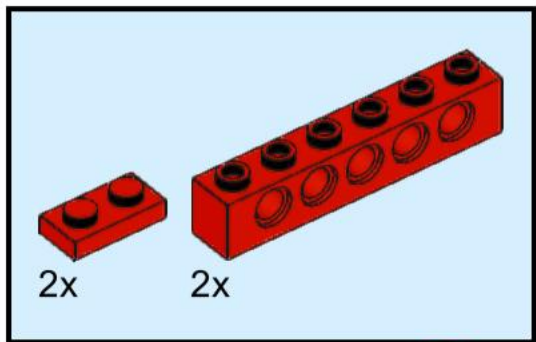


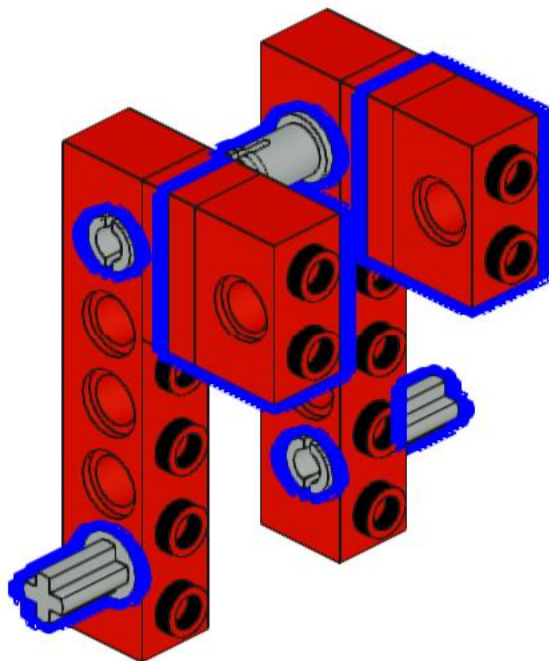
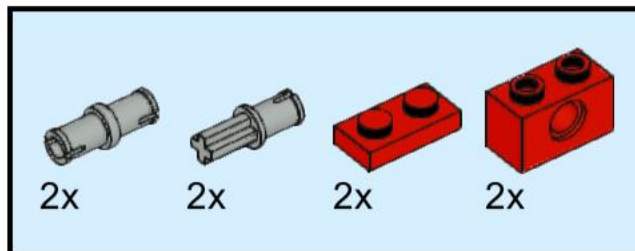
# 8024-backC instructions



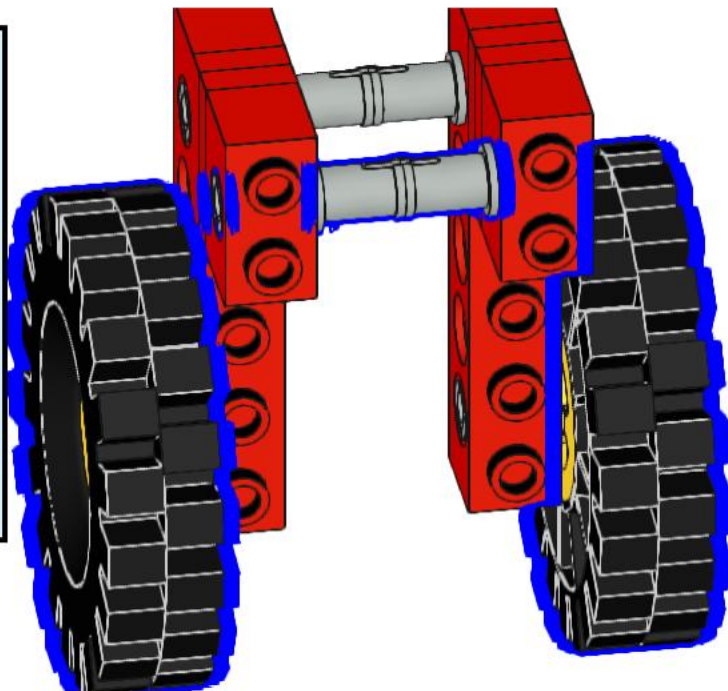
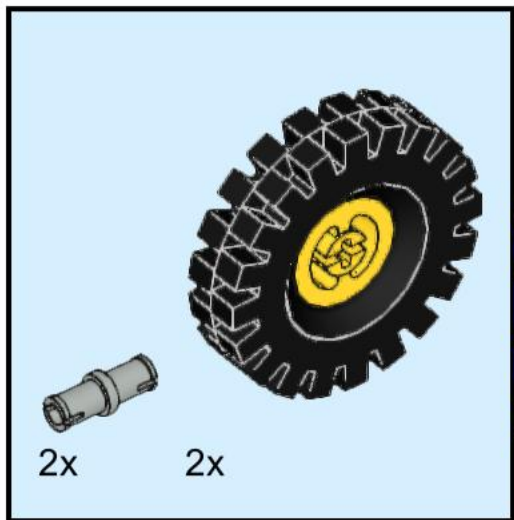
# 1



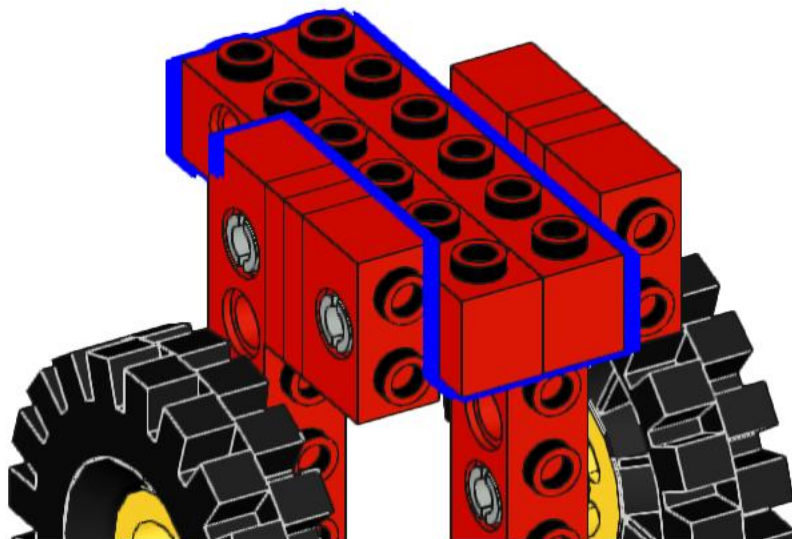
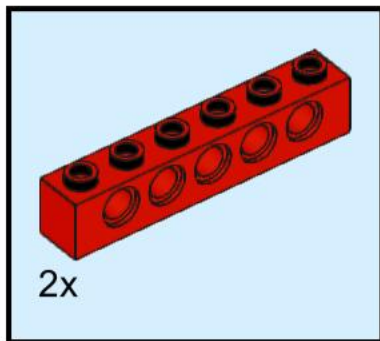
# 2



3

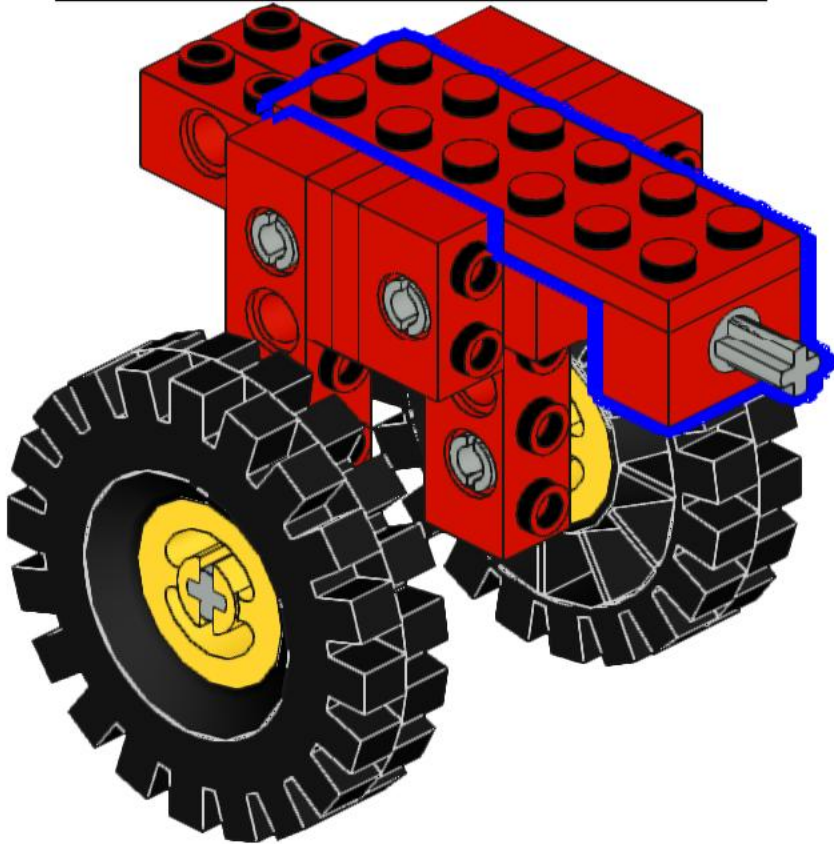
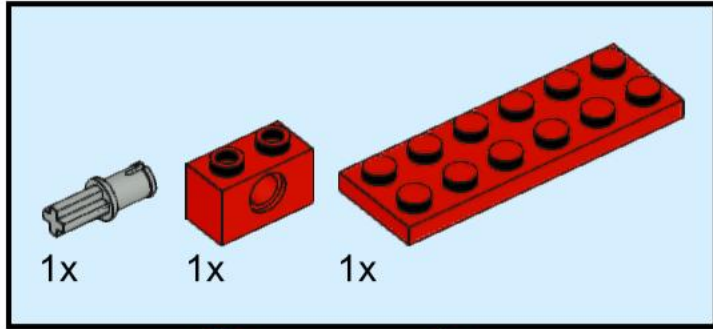


4

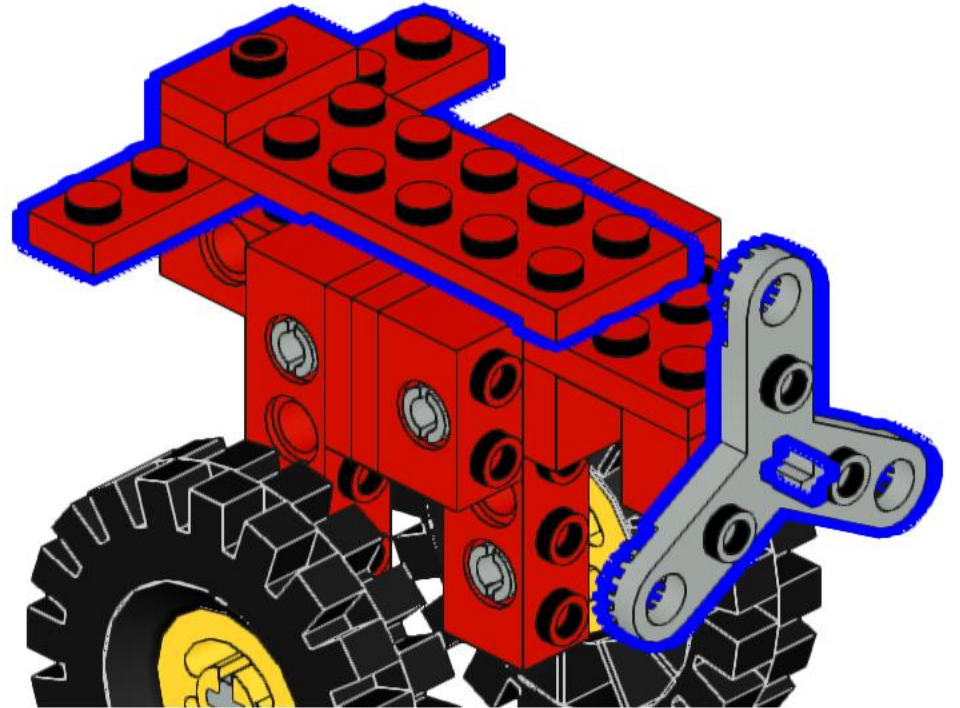
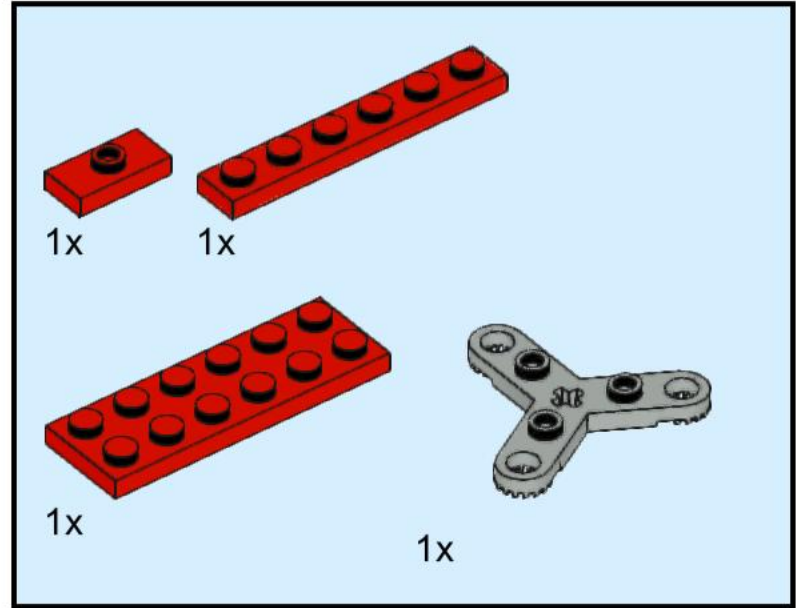




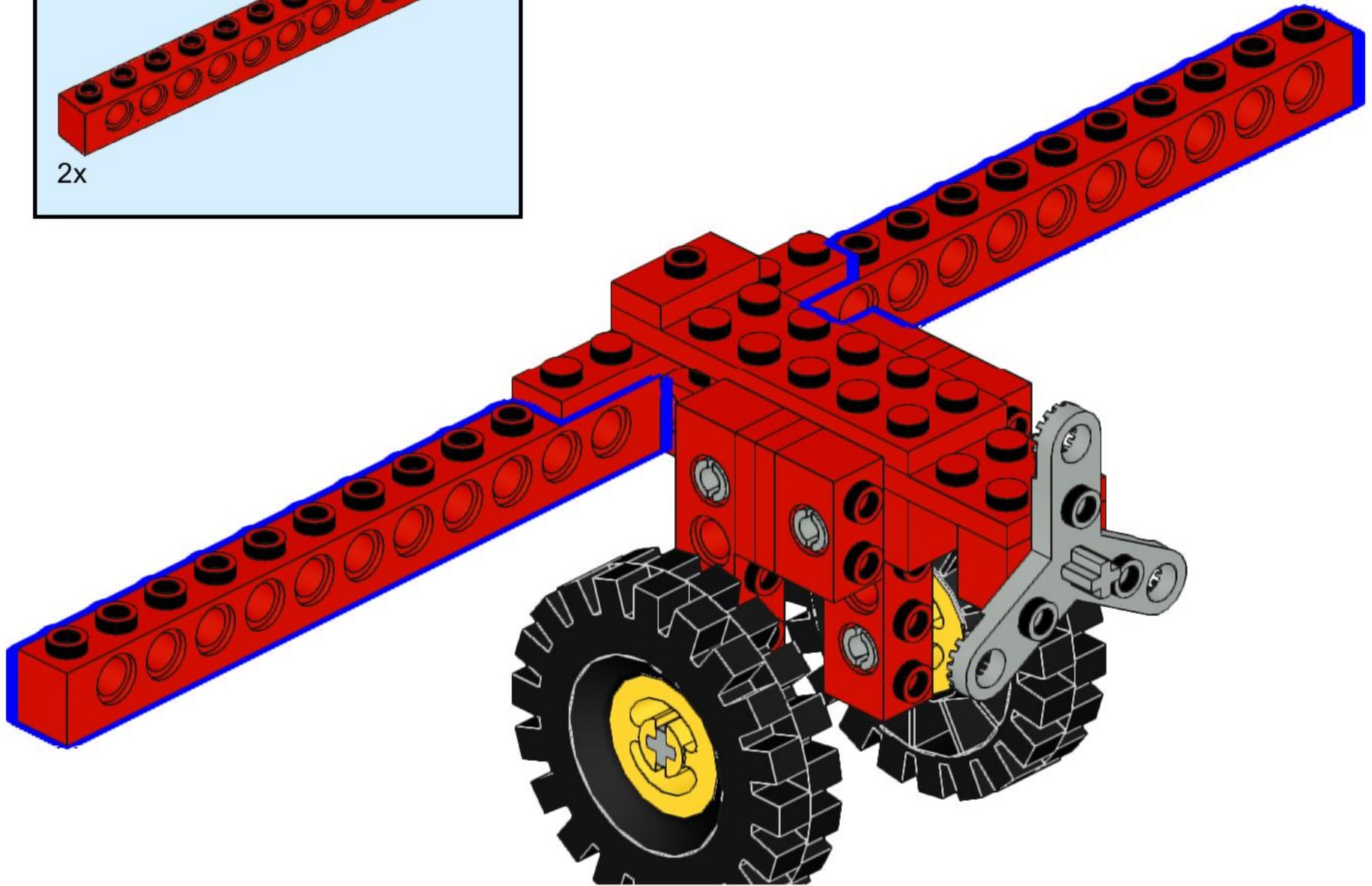
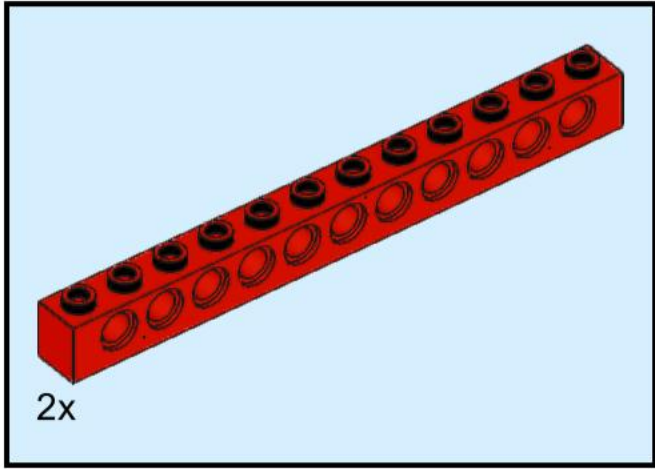
# 5



# 6

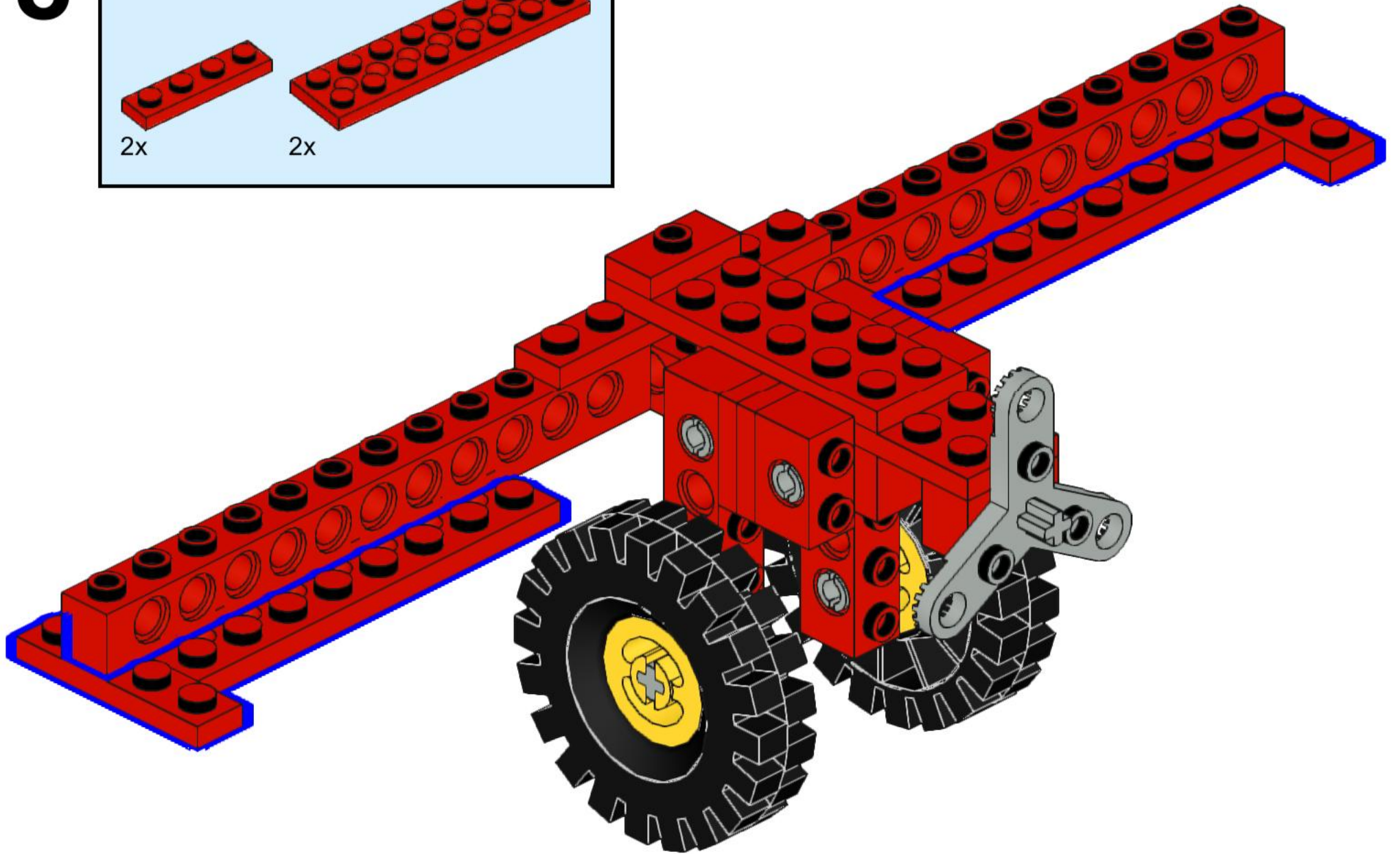
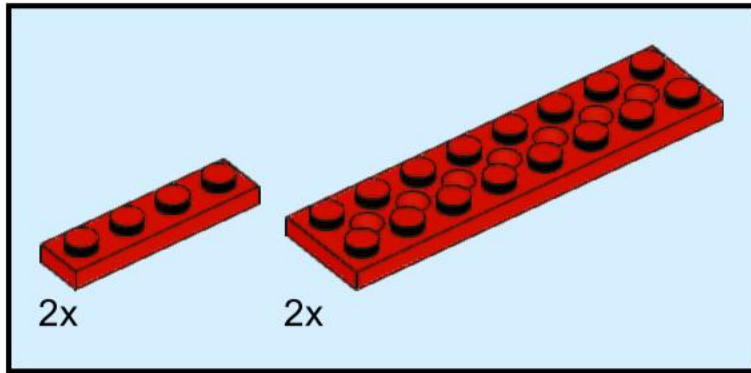


7

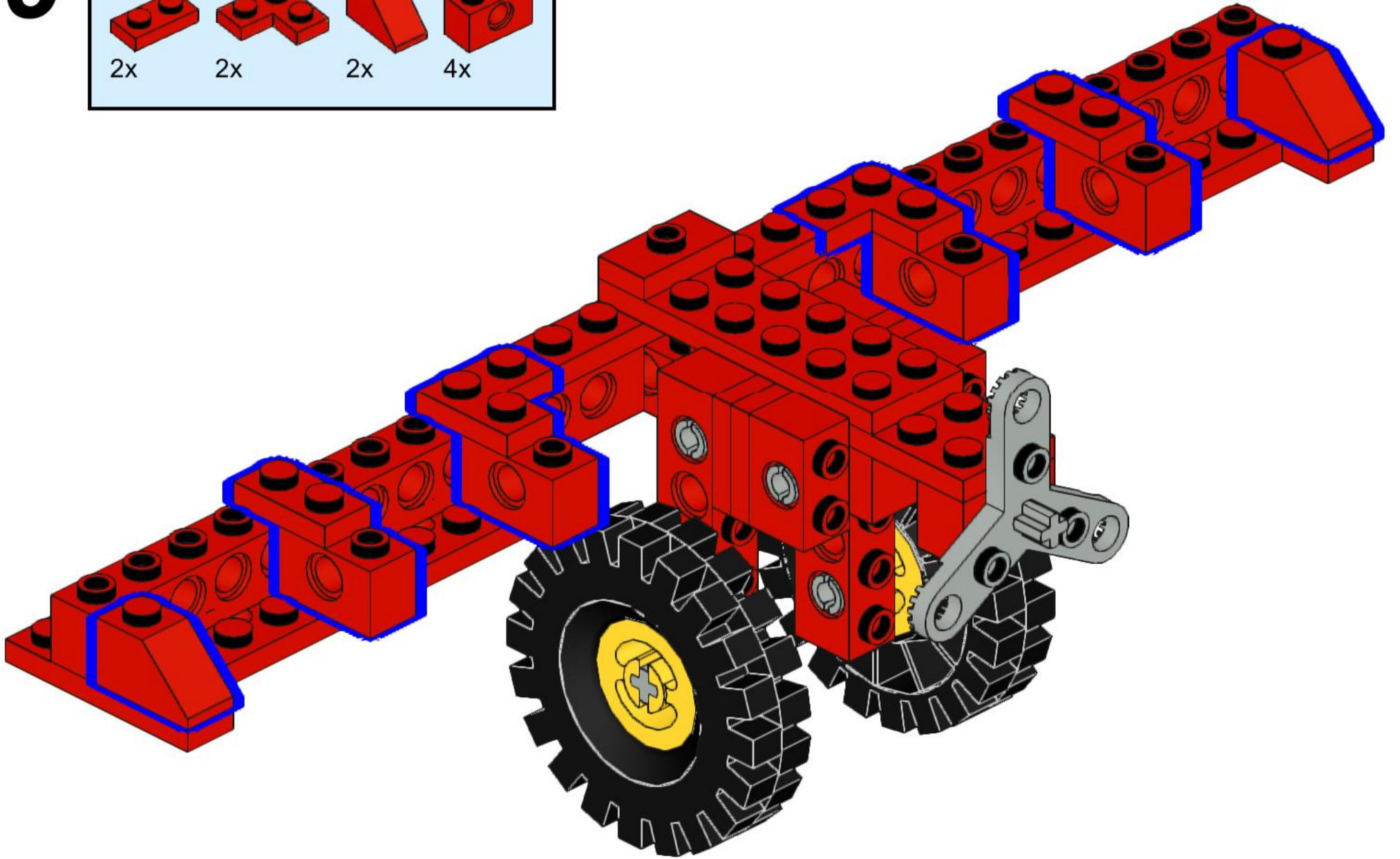
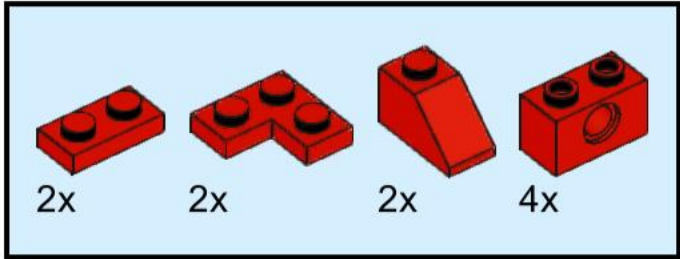




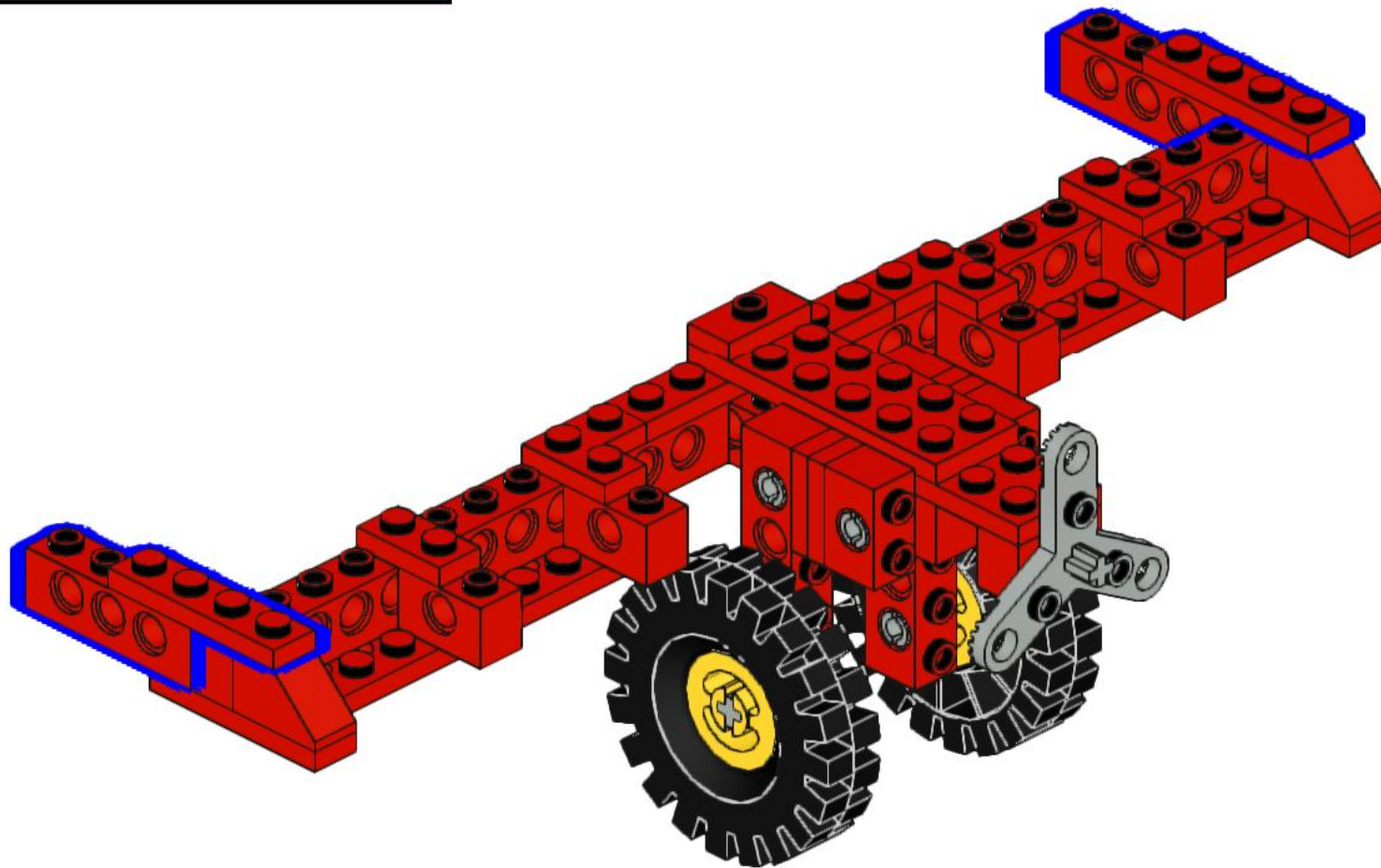
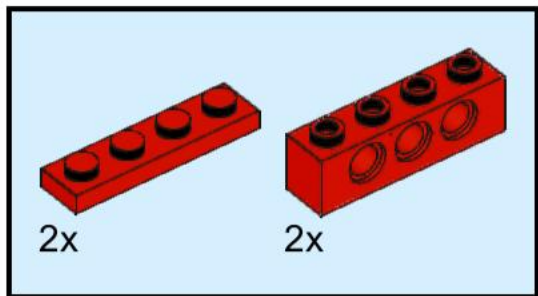
8



9

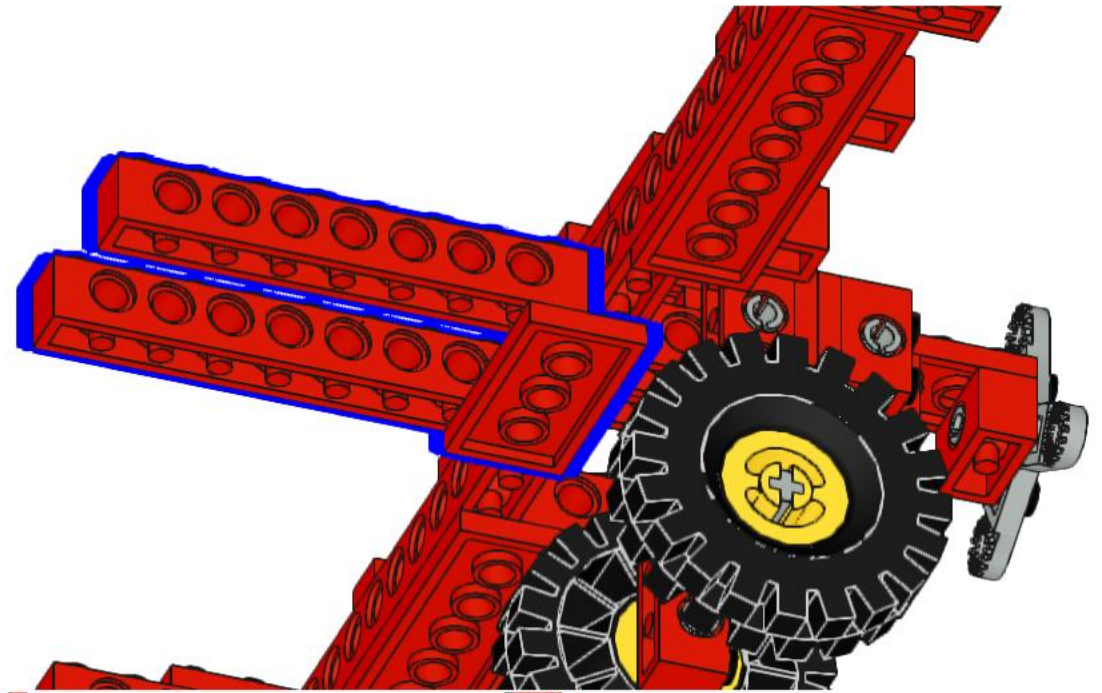
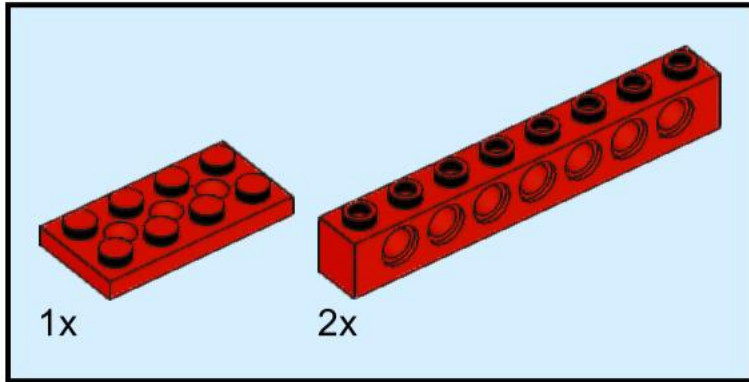


# 10

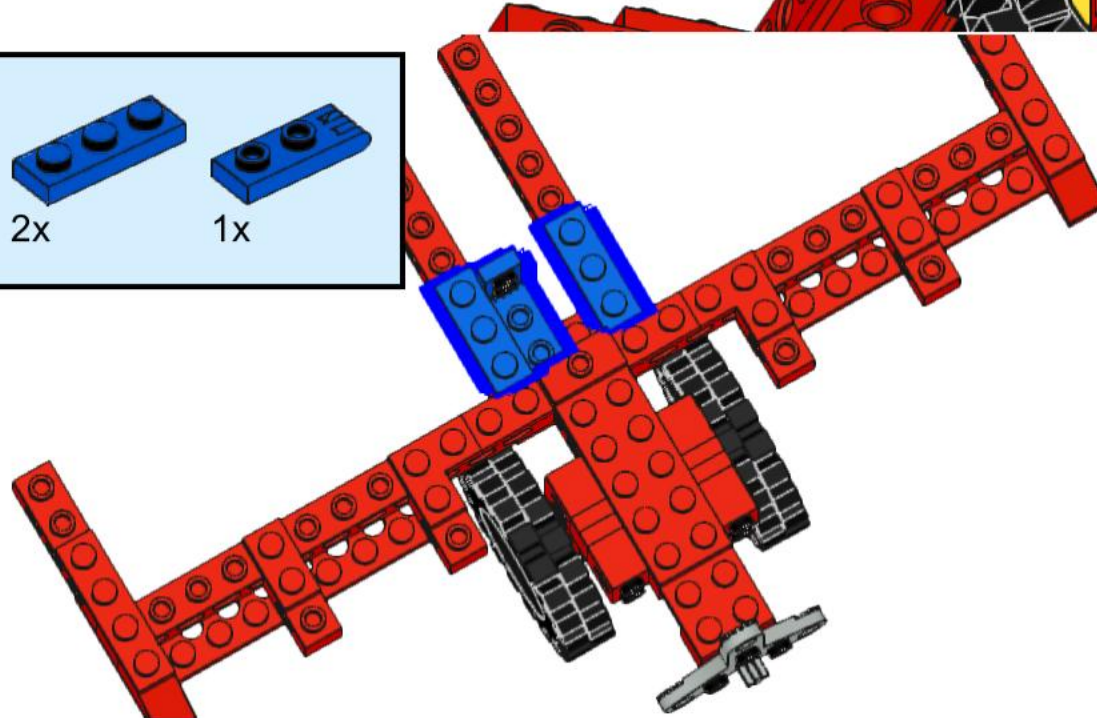
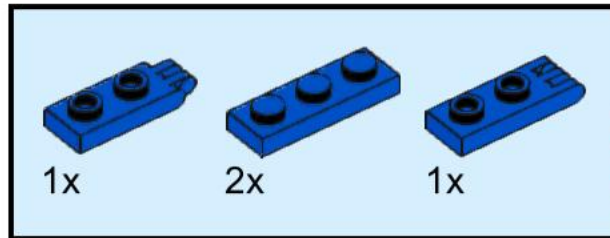




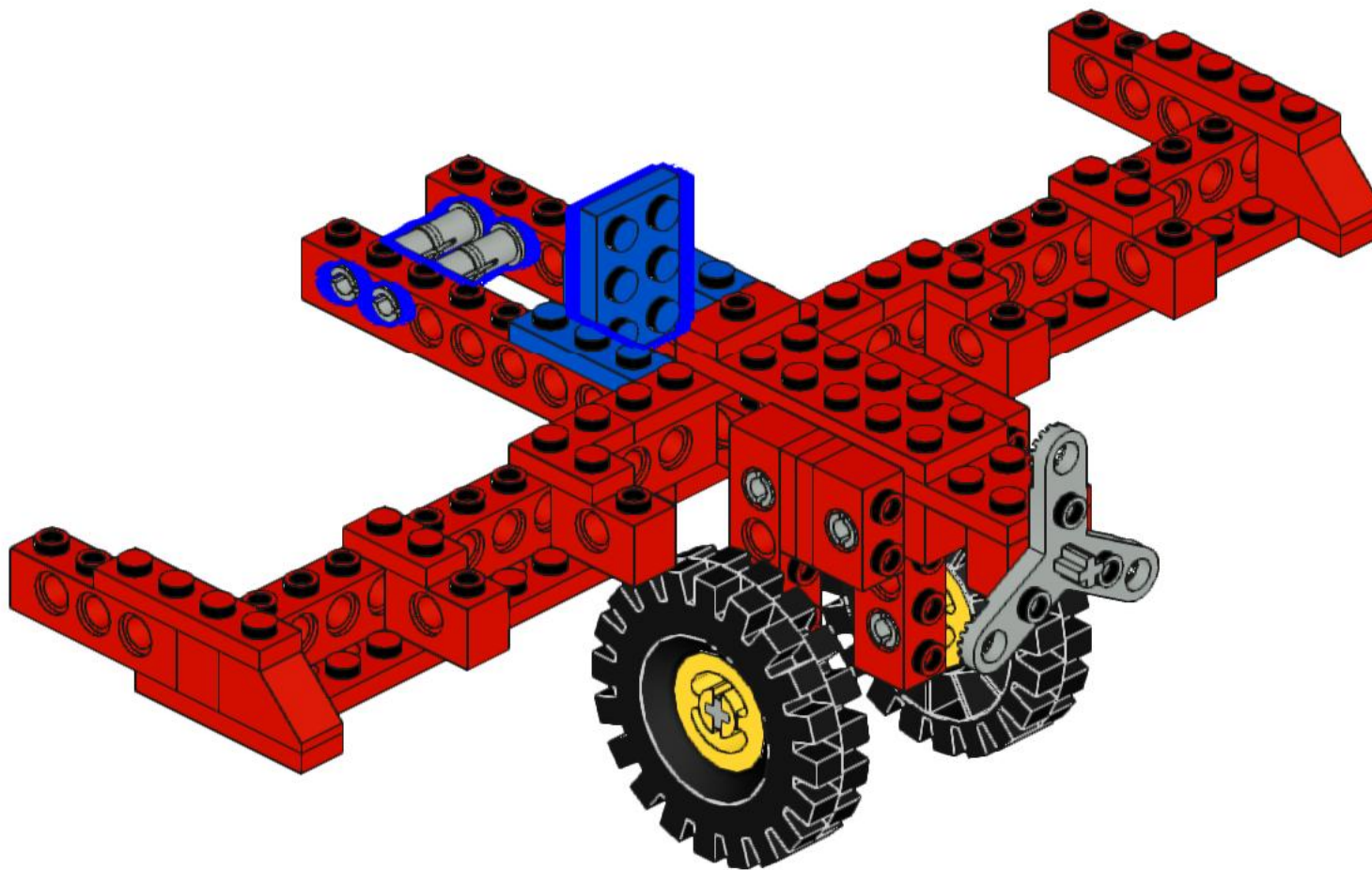
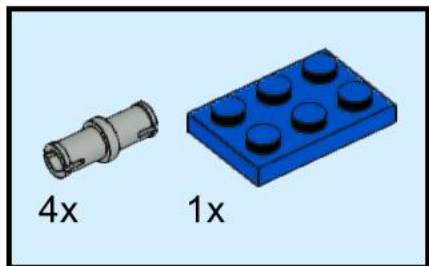
# 11



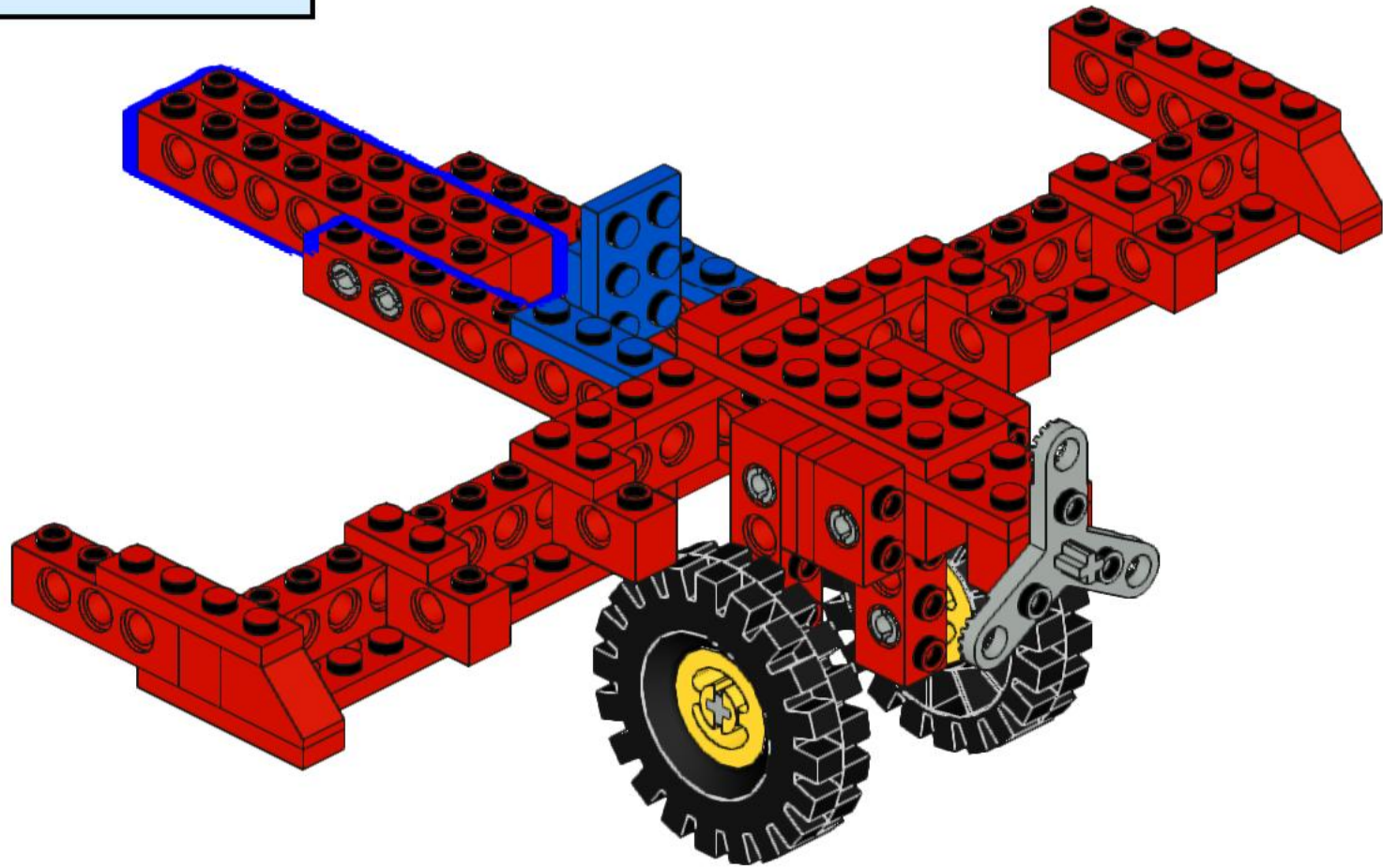
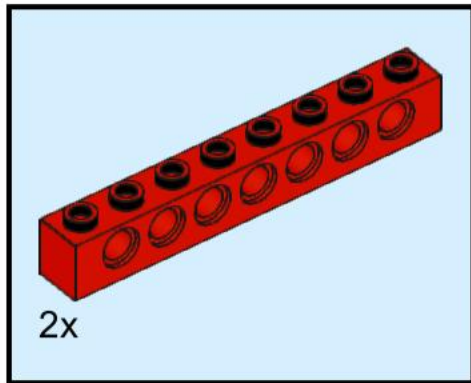
# 12



# 13



# 14





# 15

