

# 6878-C Sub Zero Hero

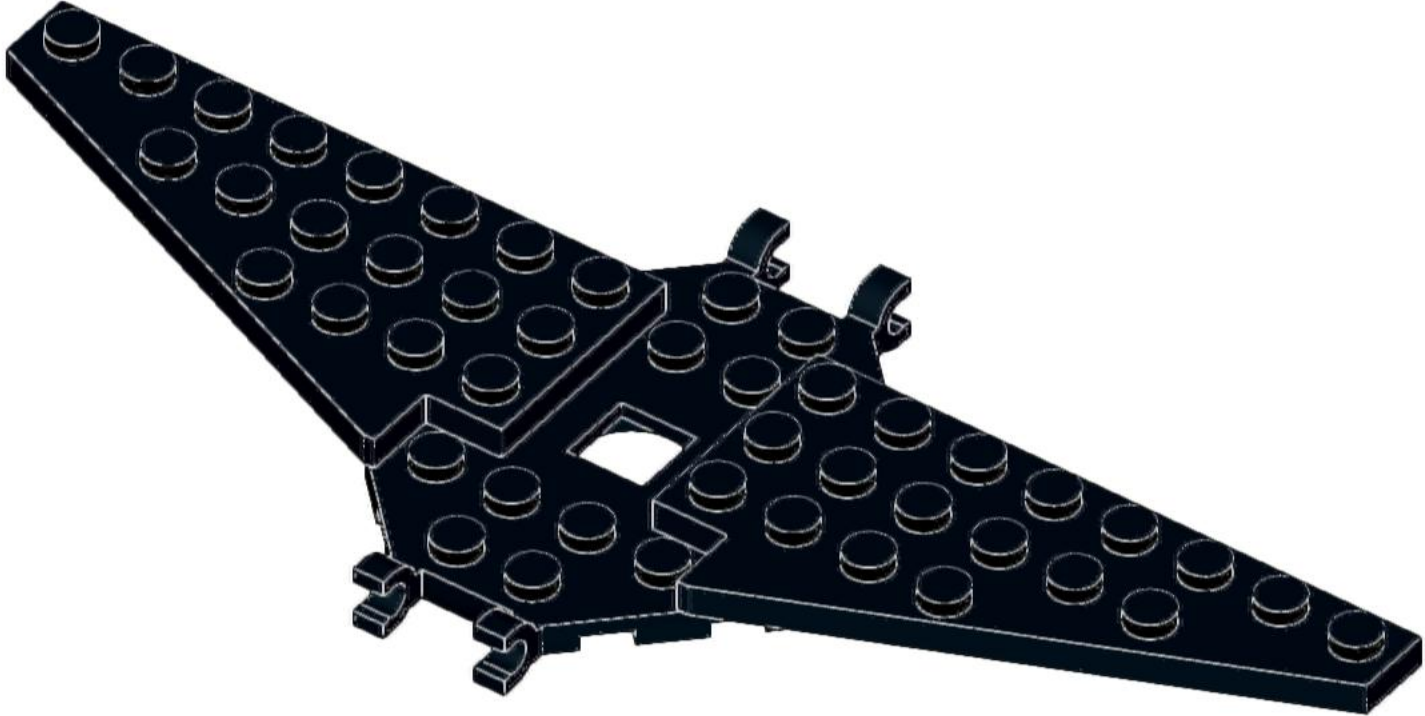
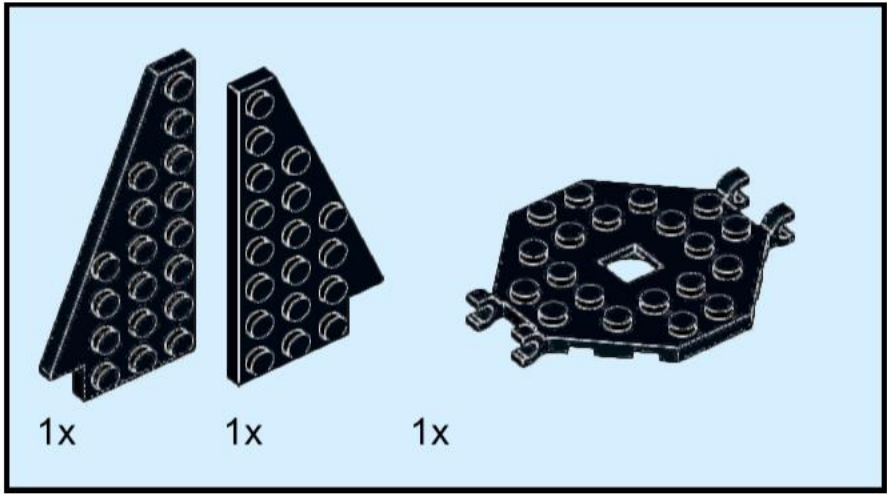
Alternative build of 6878 Sub Orbital Defender



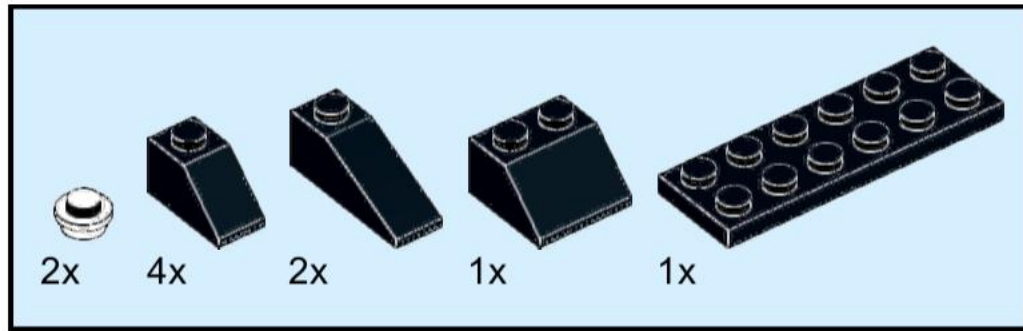
Original idea by Lego  
Example from the back of the box  
Instructions by IceAge2002

For more builds check  
[www.backoftheboxbuilds.com](http://www.backoftheboxbuilds.com)

1

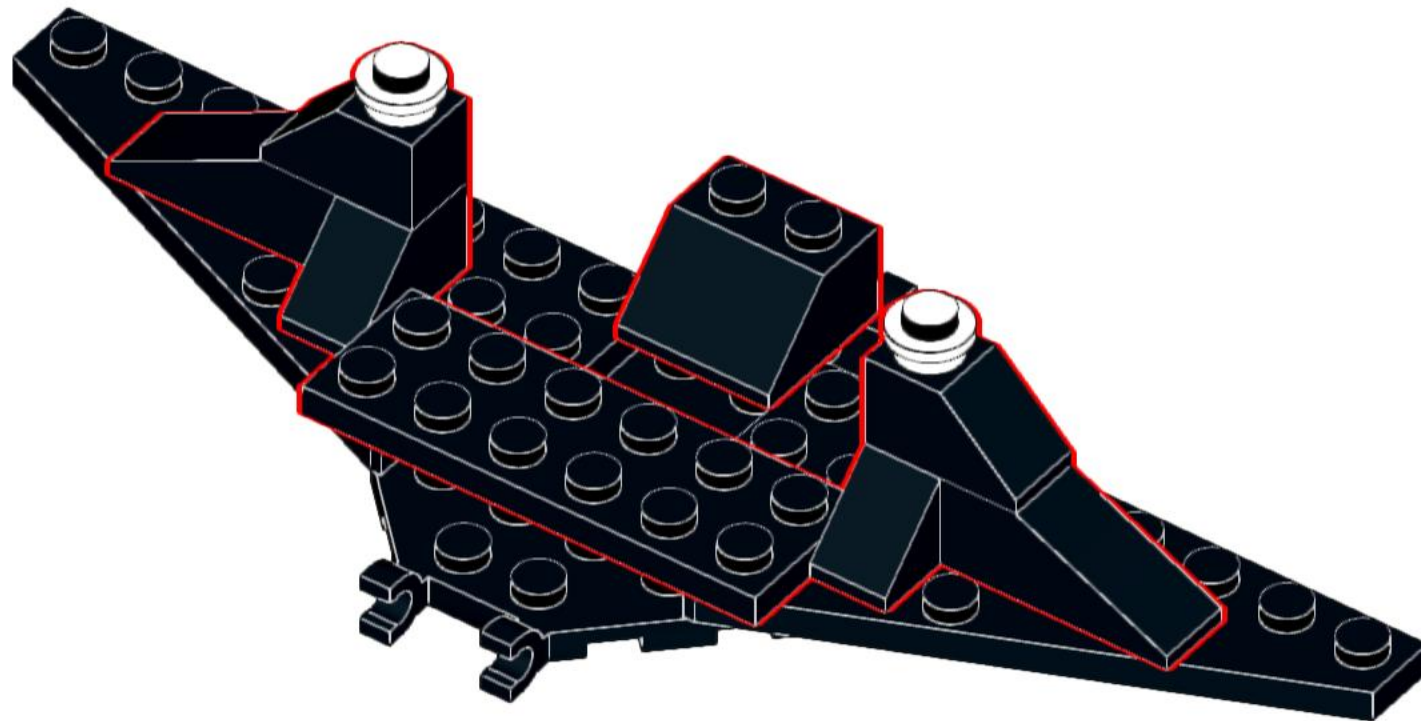


# 2

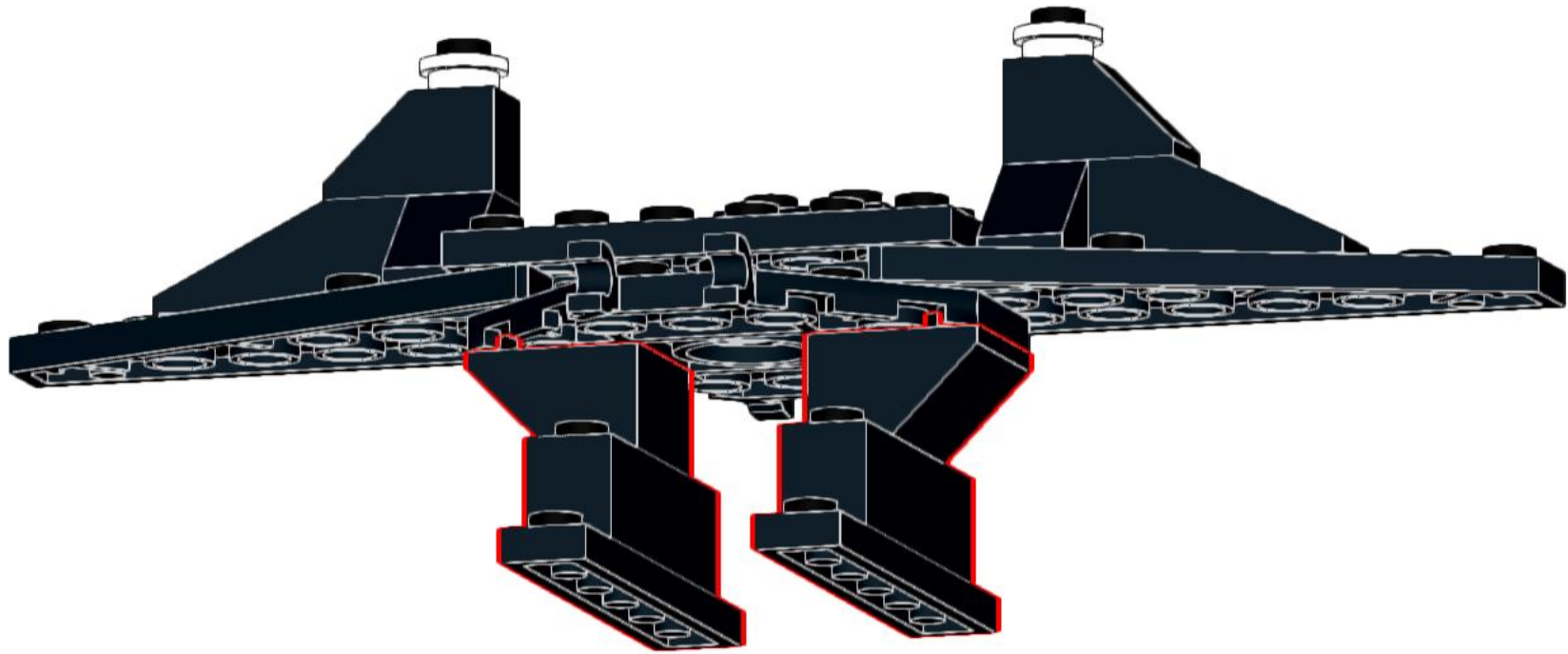
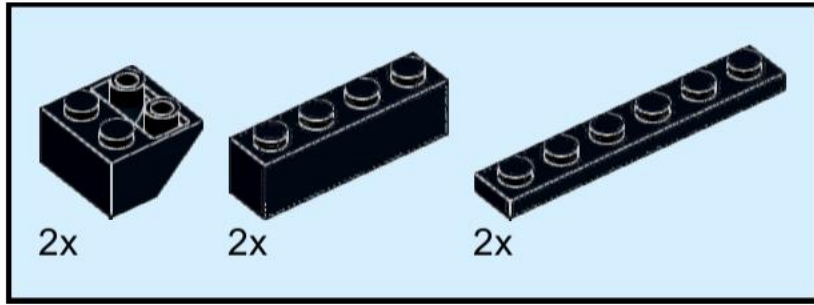


As alternative you can replace the 2x2 brick by two plates of 1x2. But this is not part of the set.

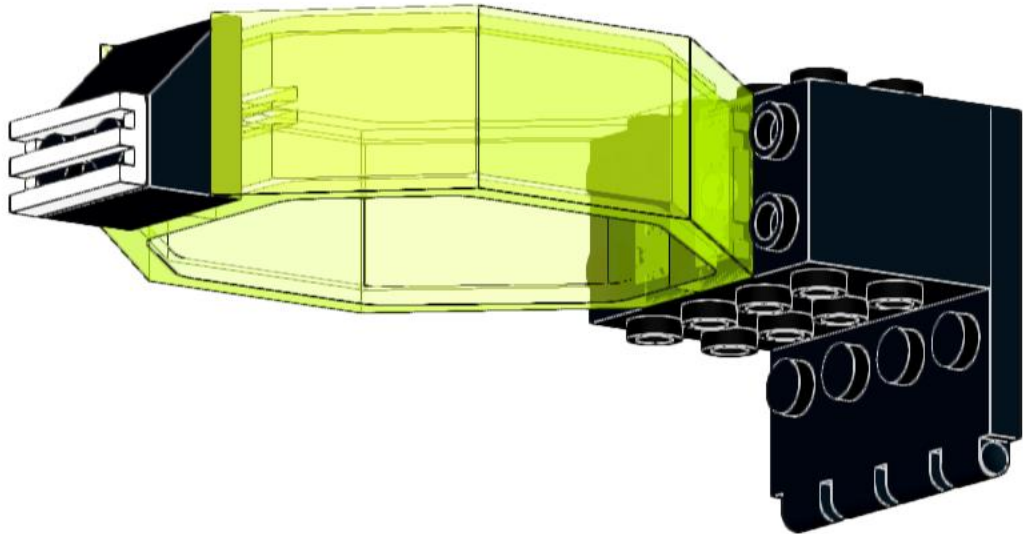
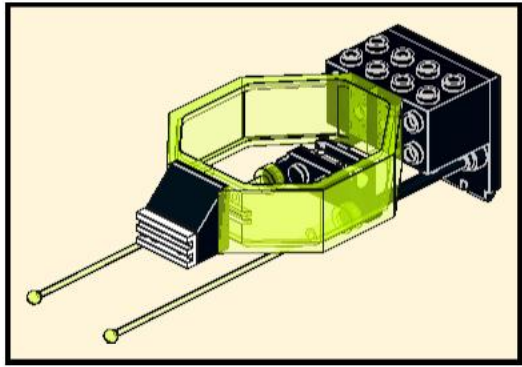
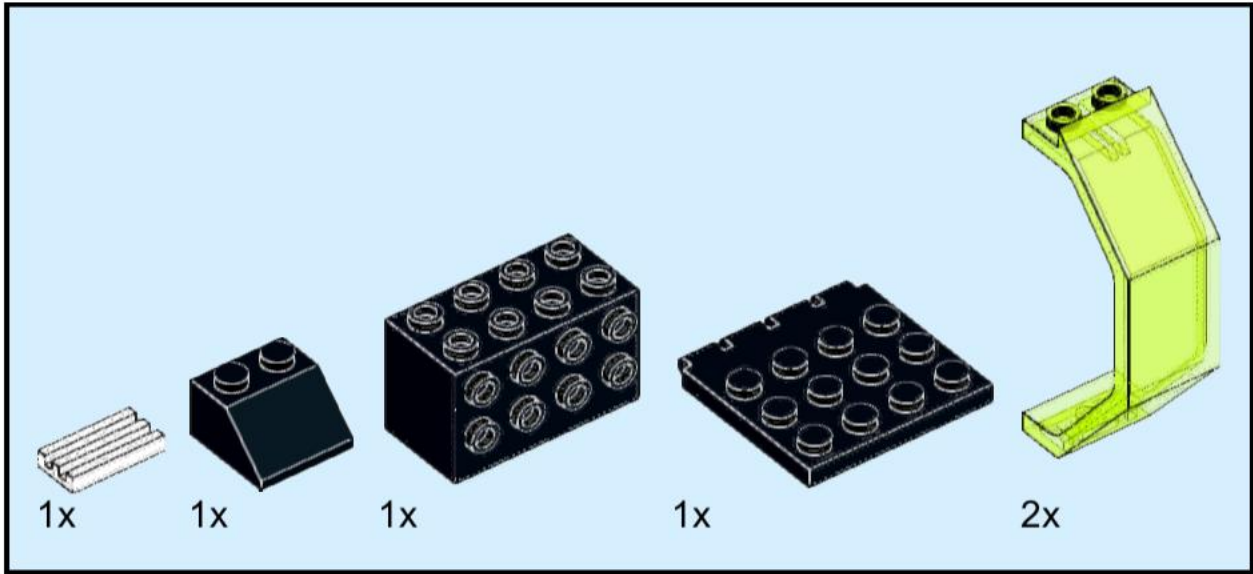
You can leave the 2x6 plate out as well, but it places the pilot a bit higher.



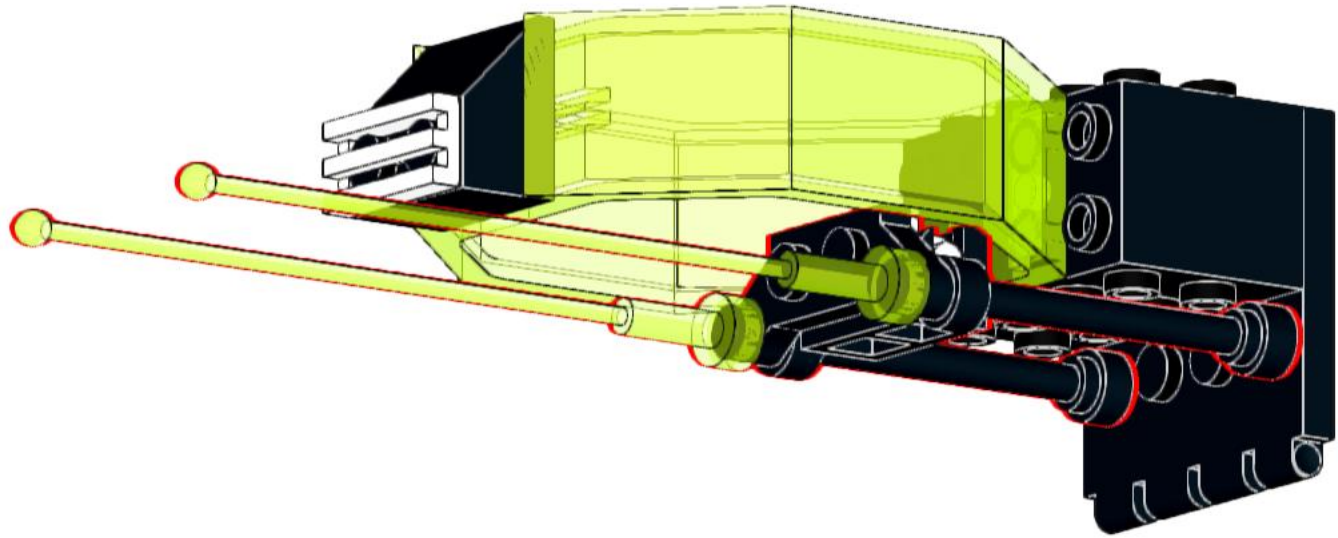
3



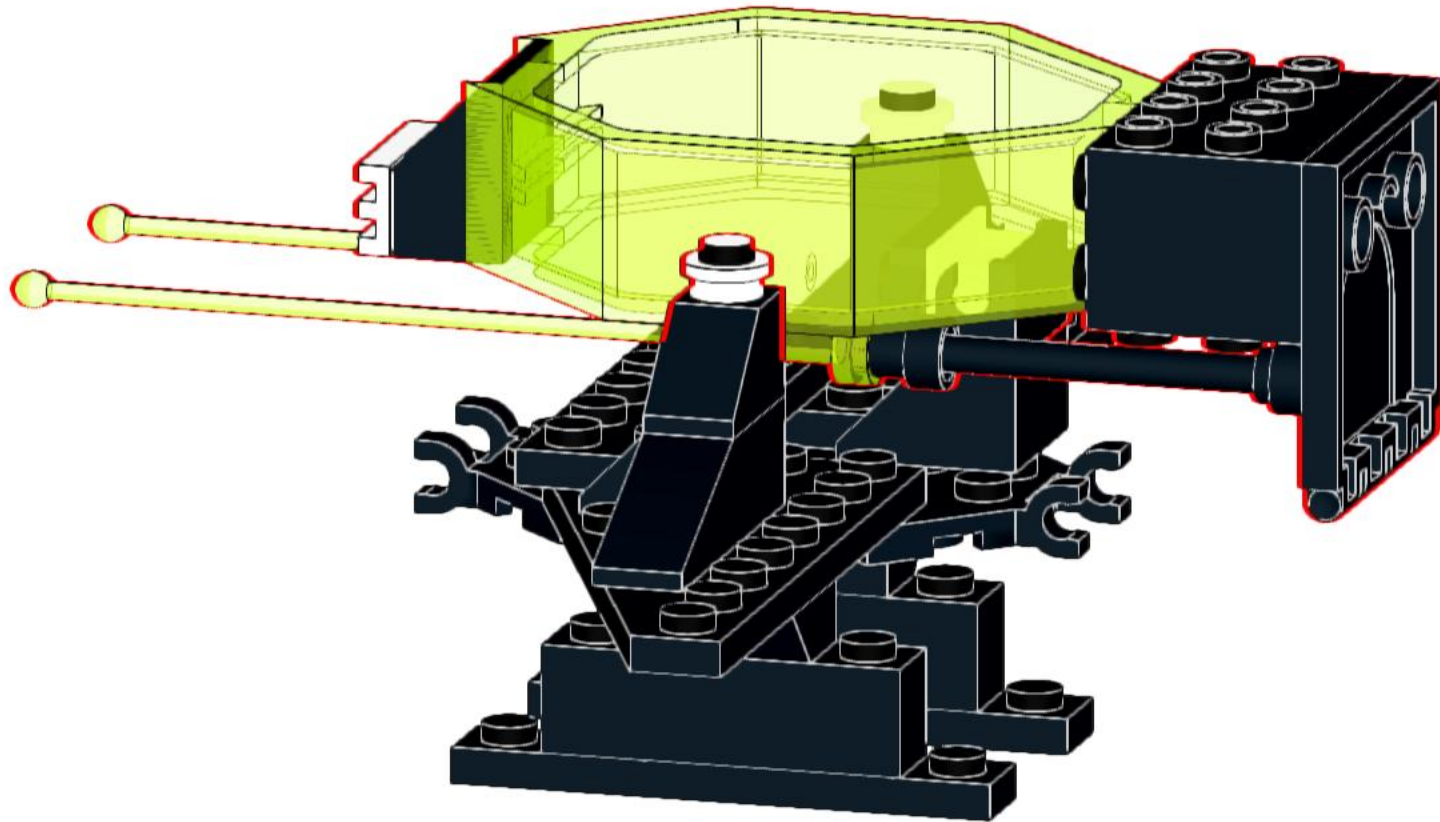
4



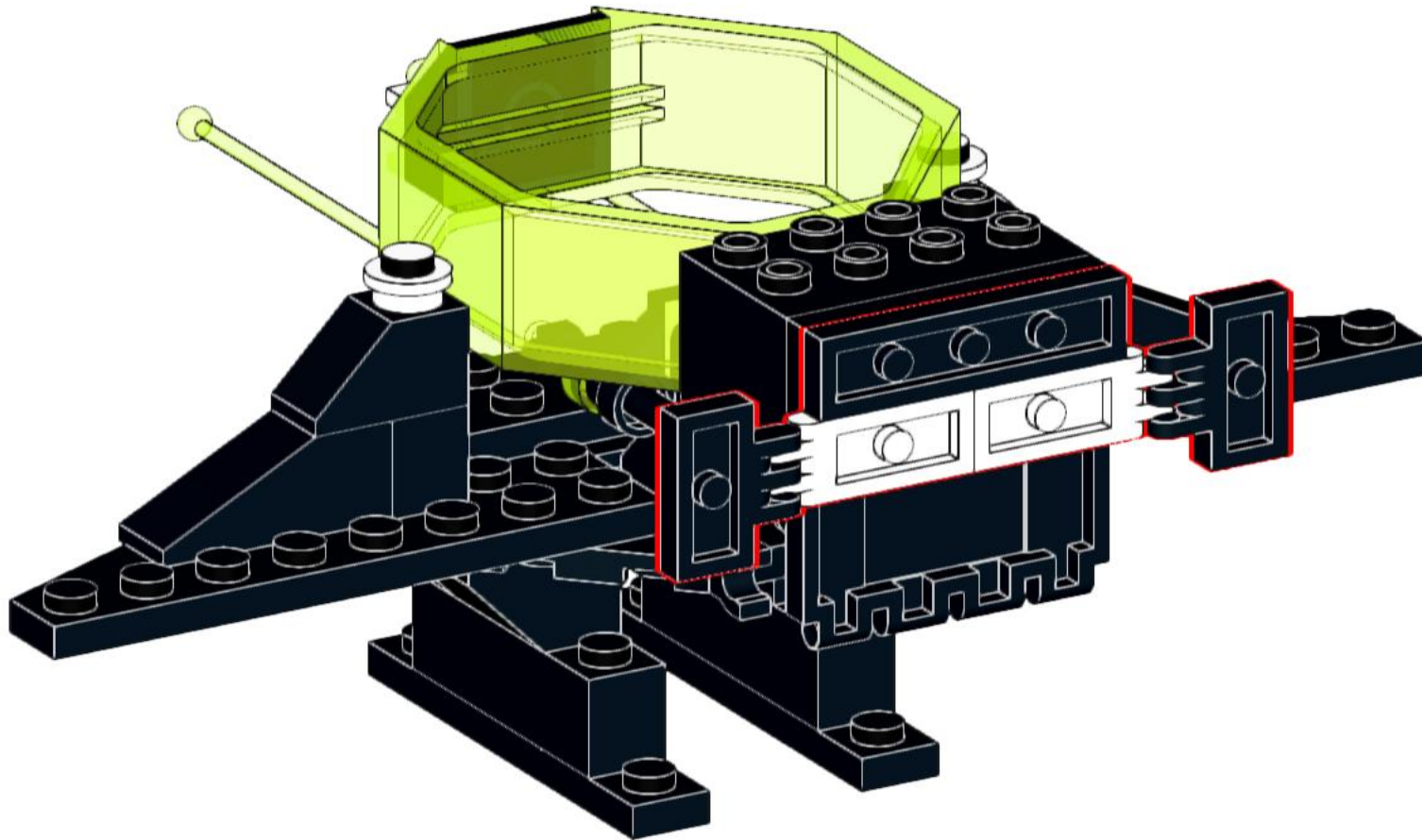
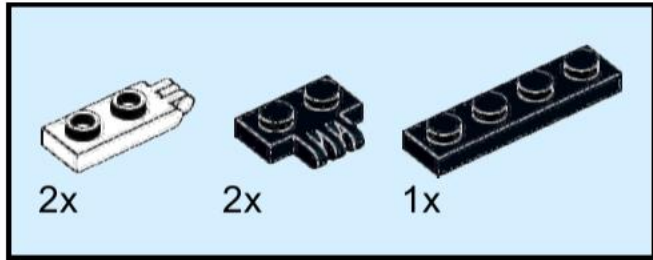
# 5



6

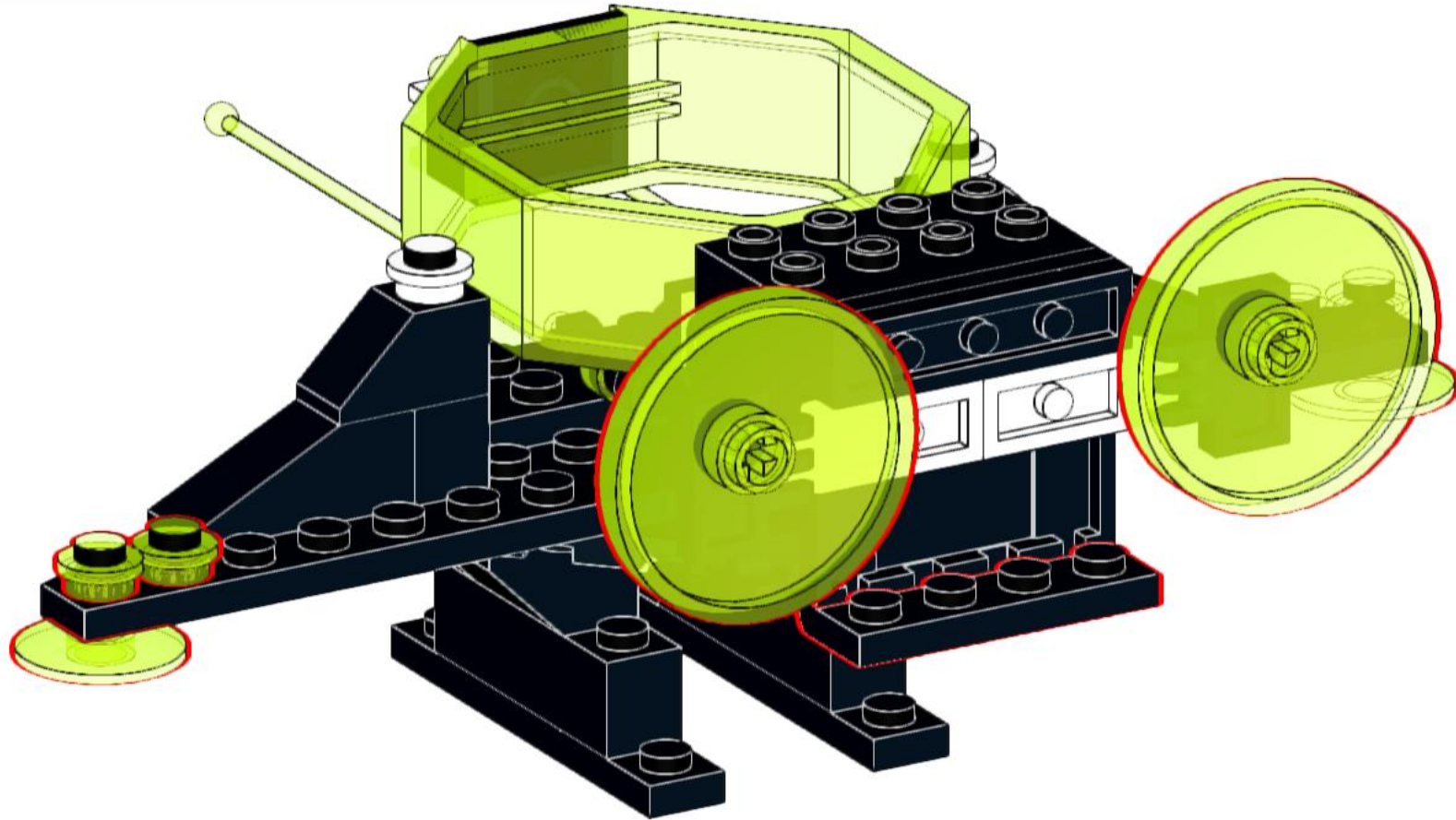
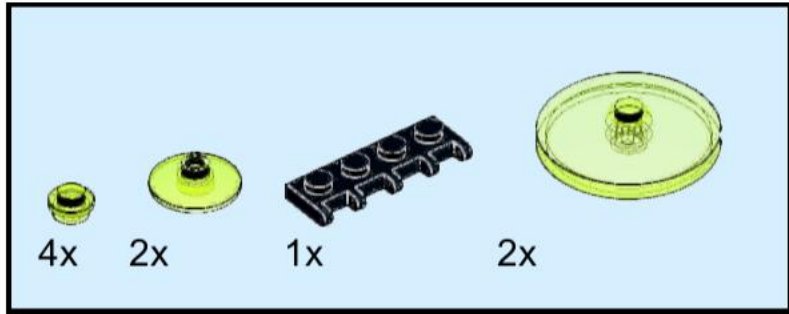


7





8



9

