

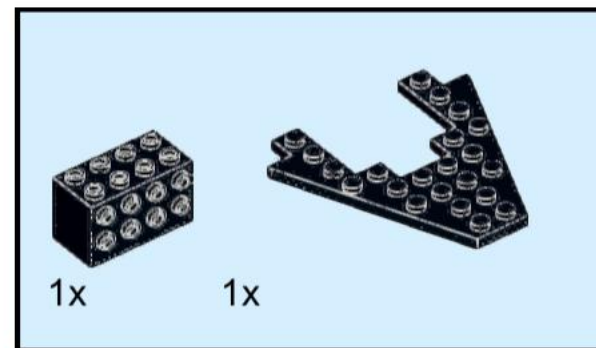
6887-C Antenna Man

Alternatieve build of 6887 Allied Avenger

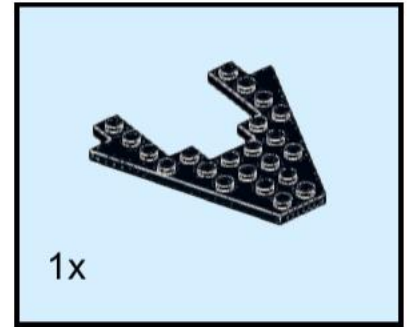
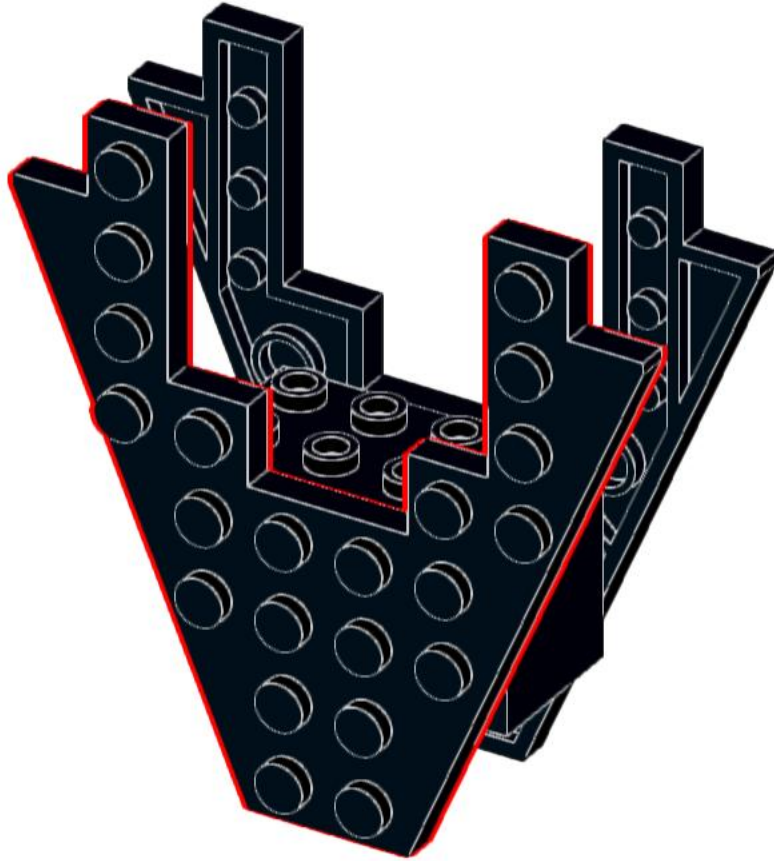


Original idea by Lego This is based on the image from the back of the box.
Instructions by IceAge2002
For more like this visit www.backoftheboxbuilds.com

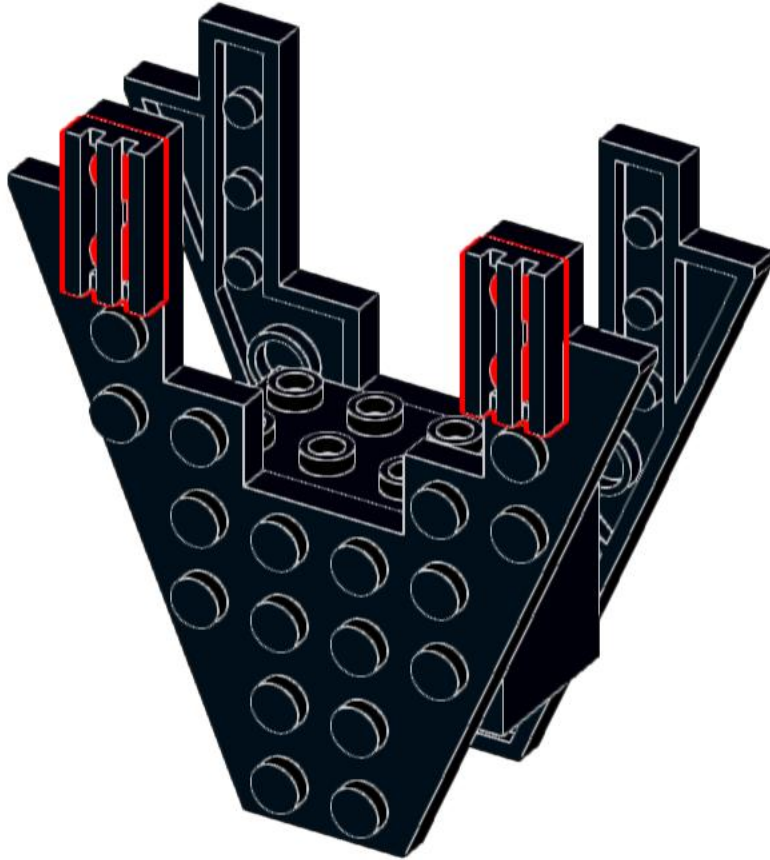
1



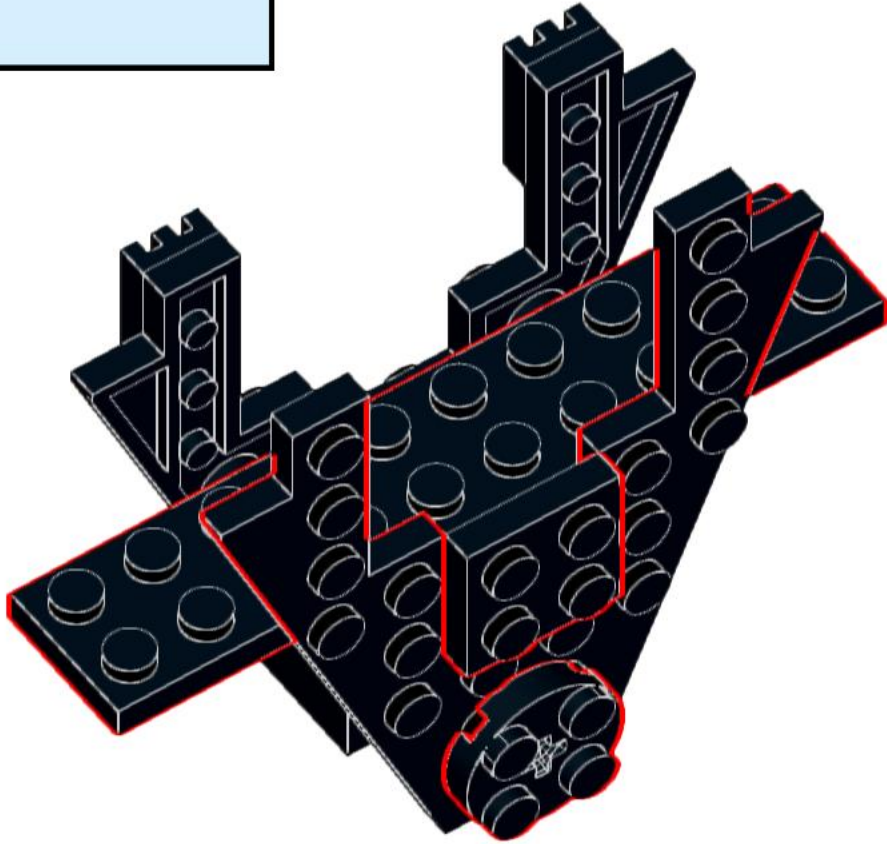
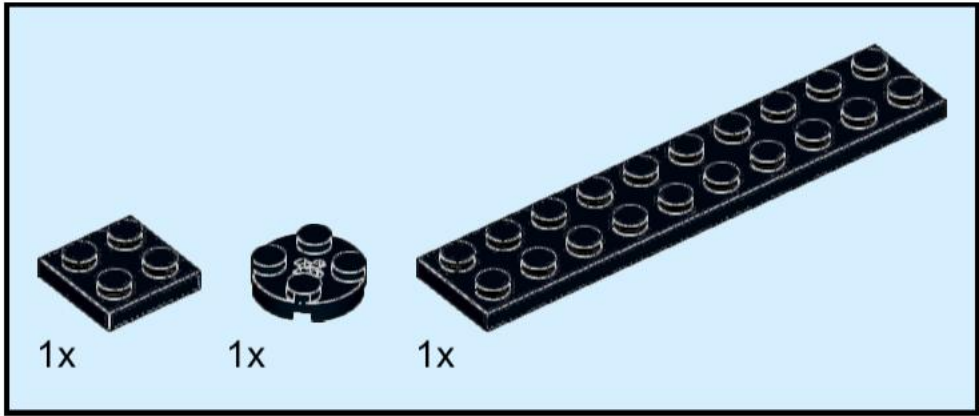
2



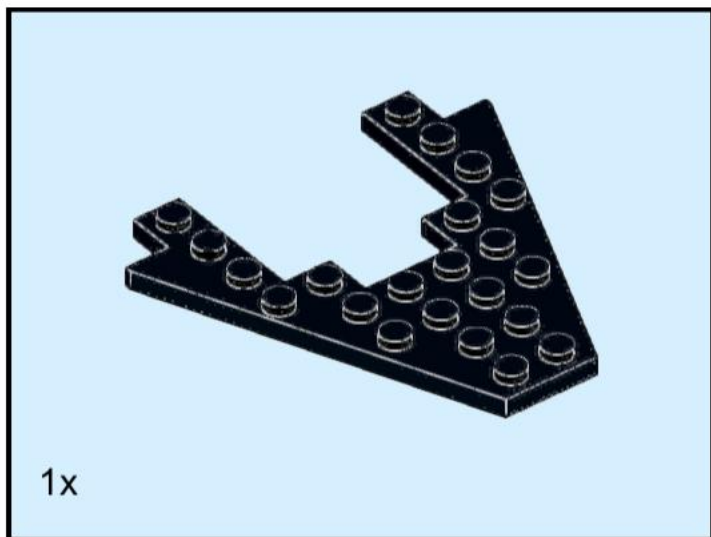
3



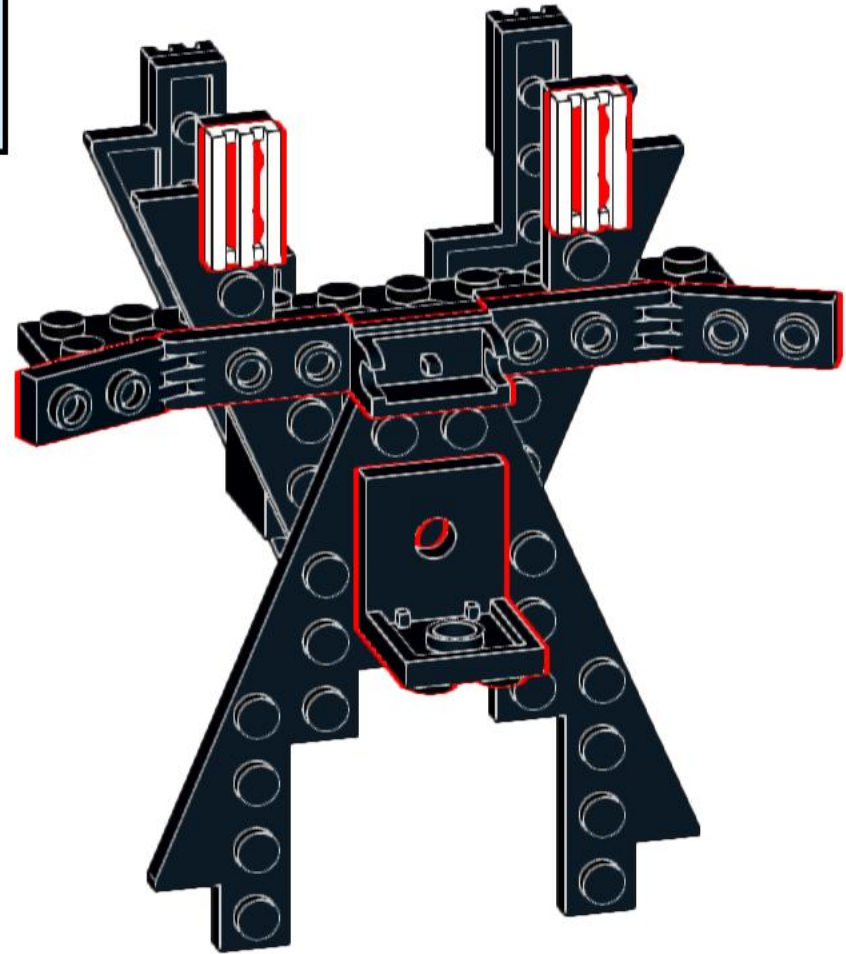
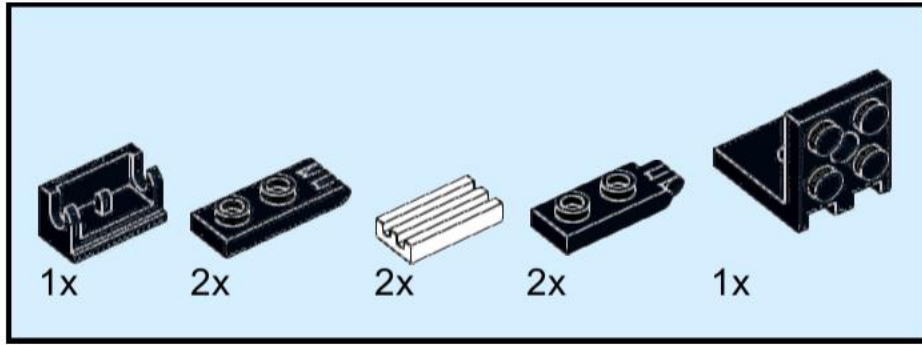
4



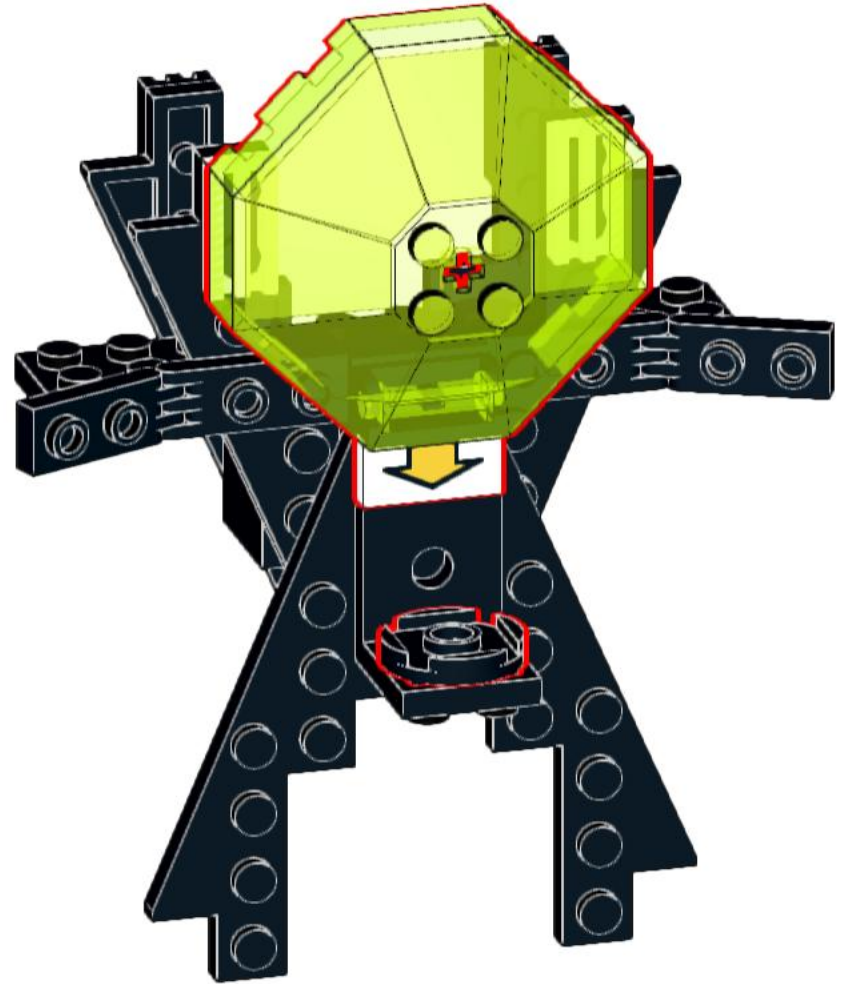
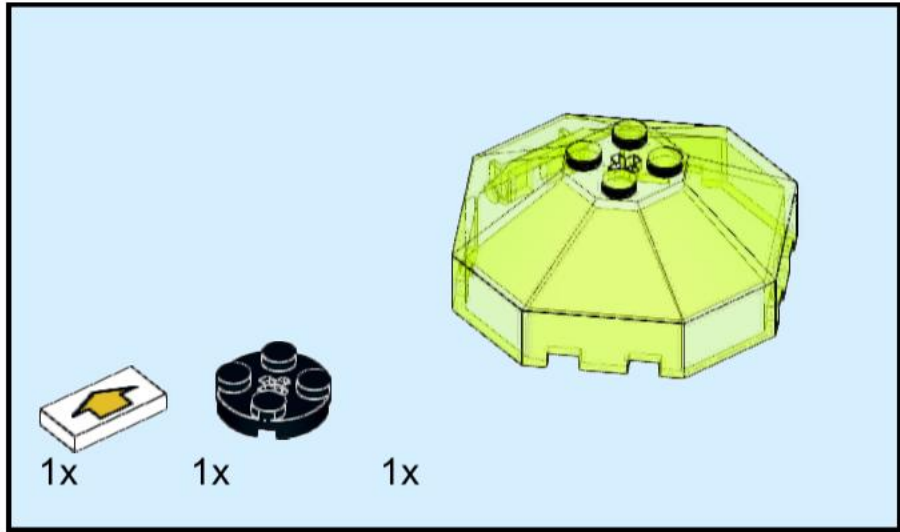
5



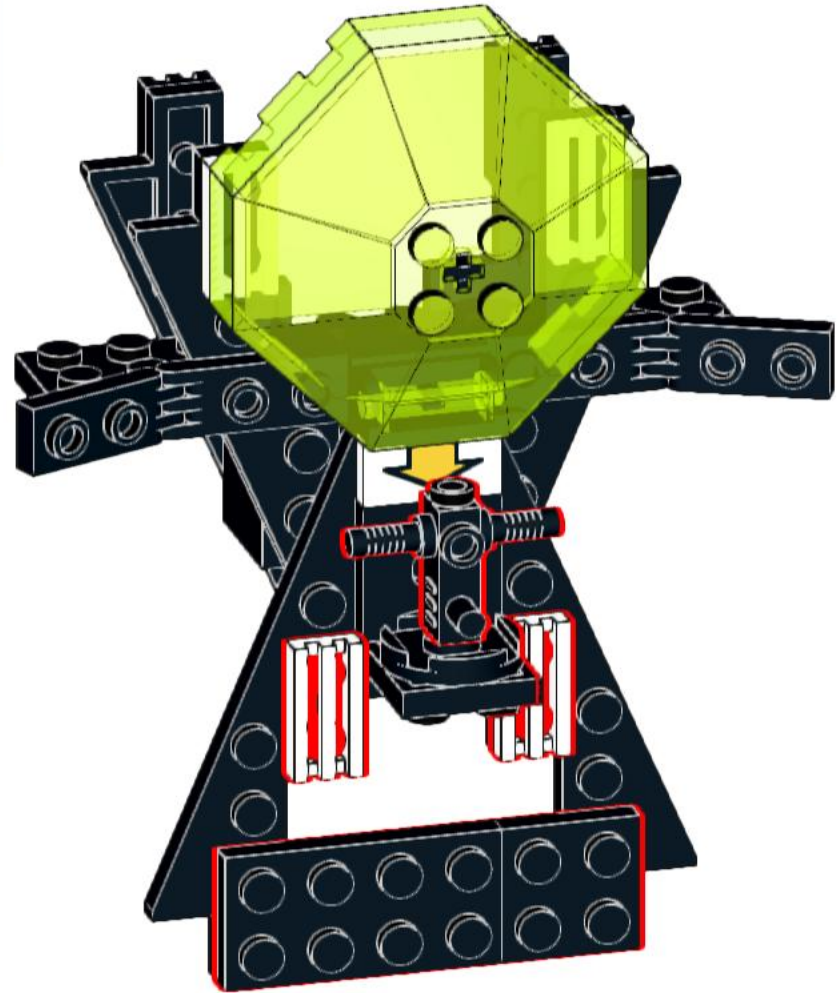
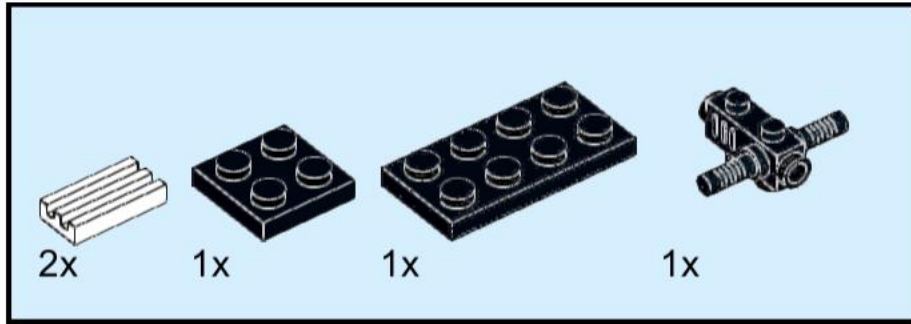
6



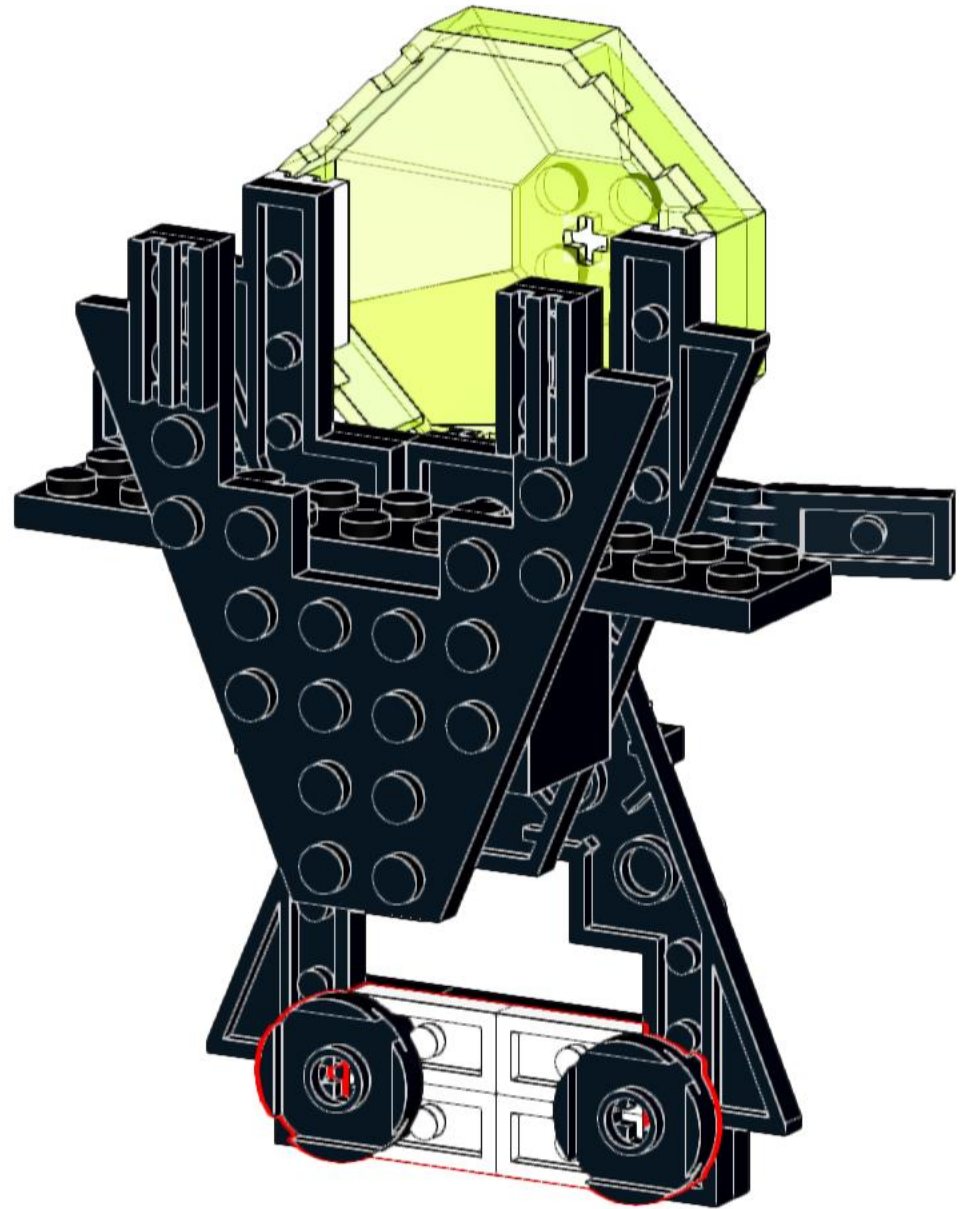
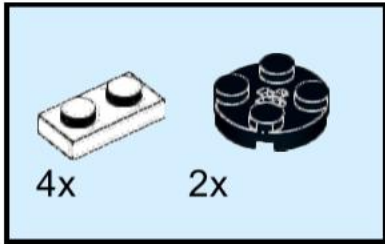
7



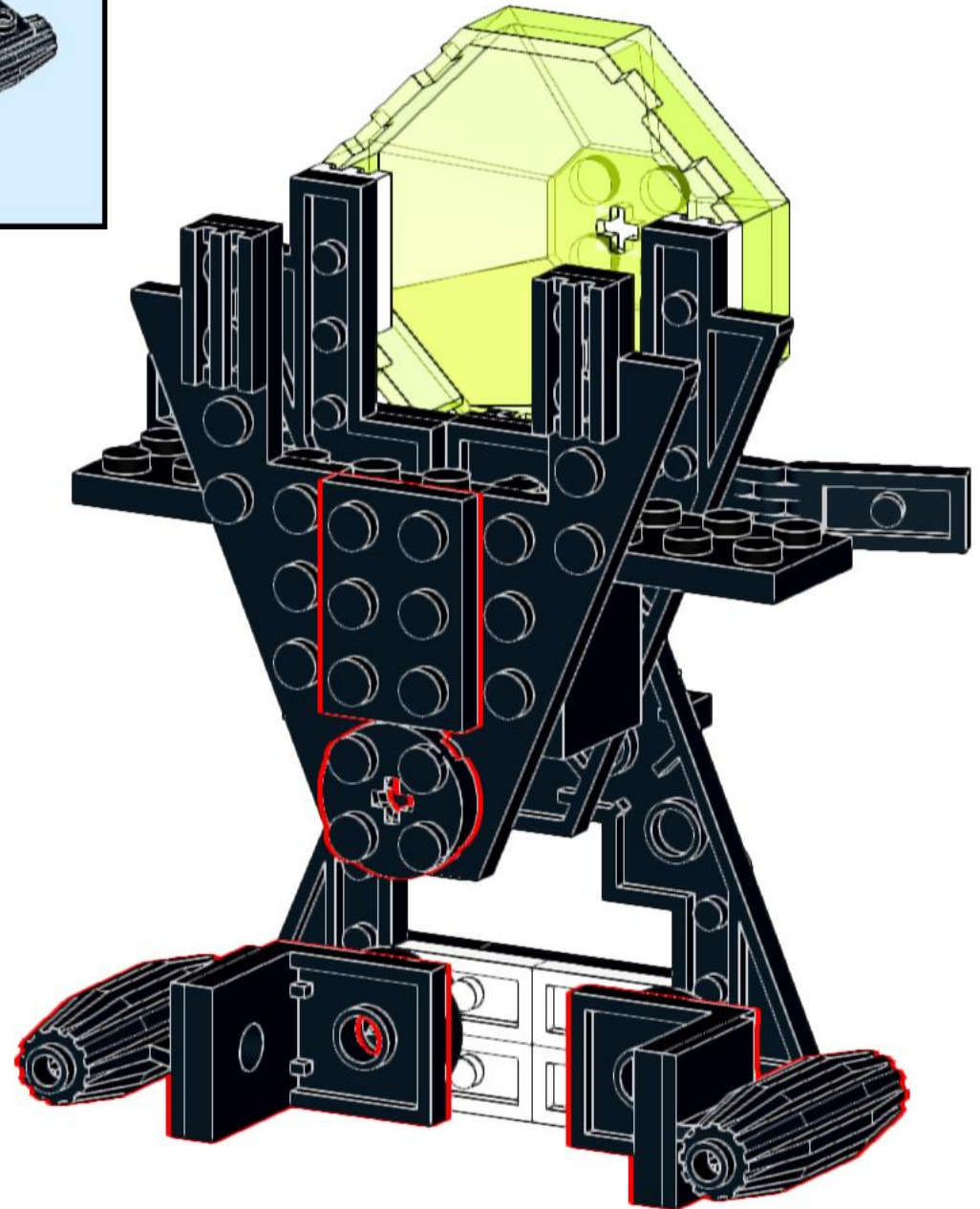
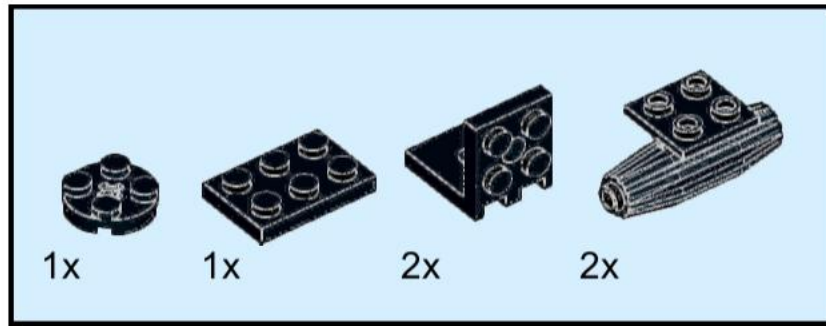
8



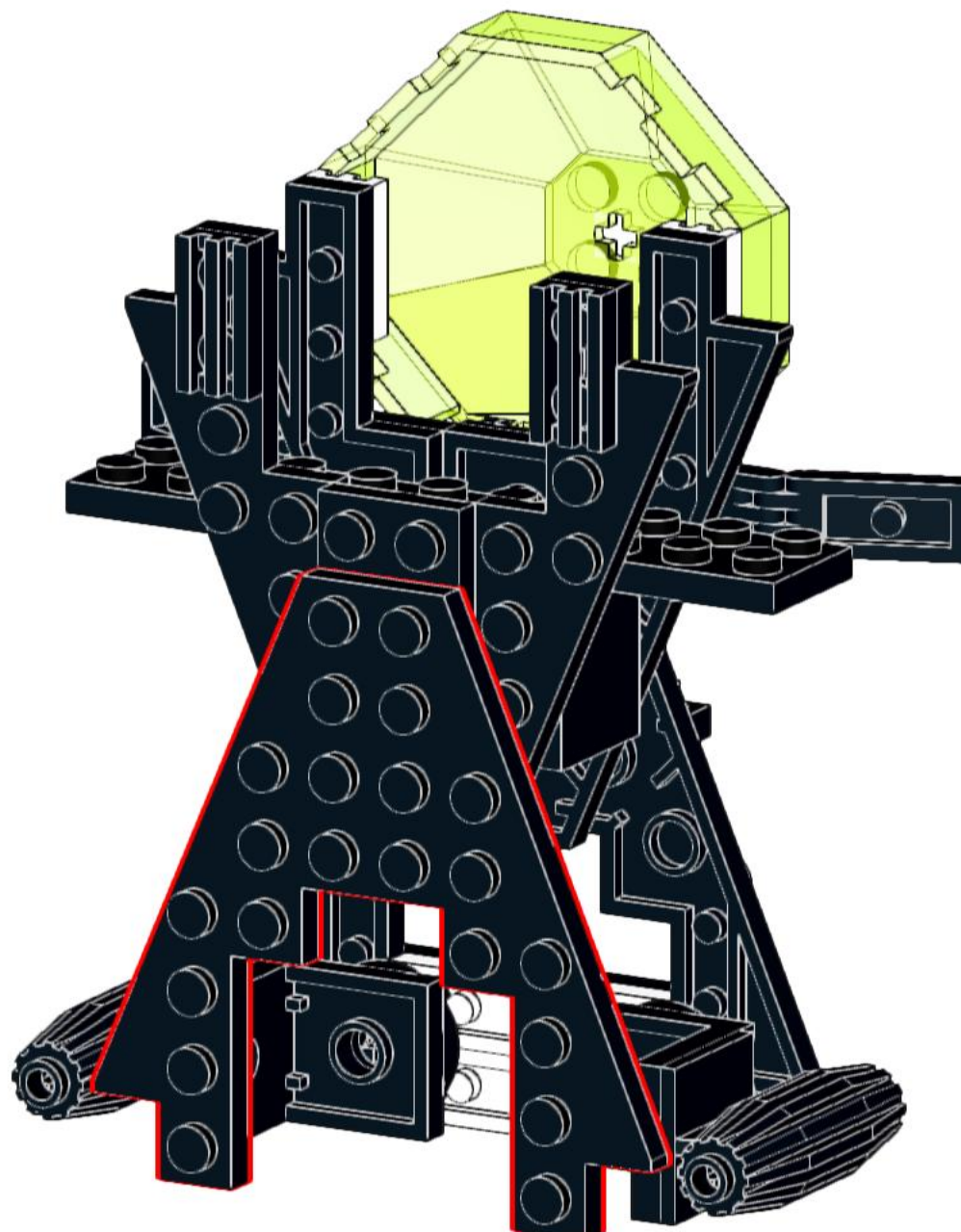
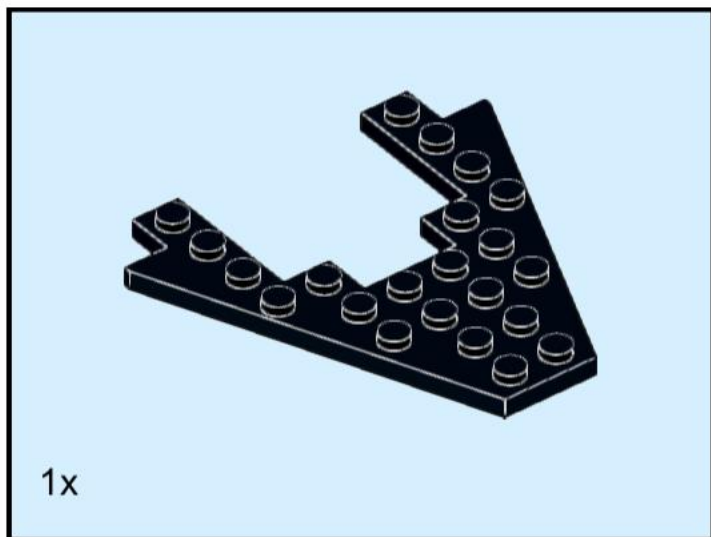
9



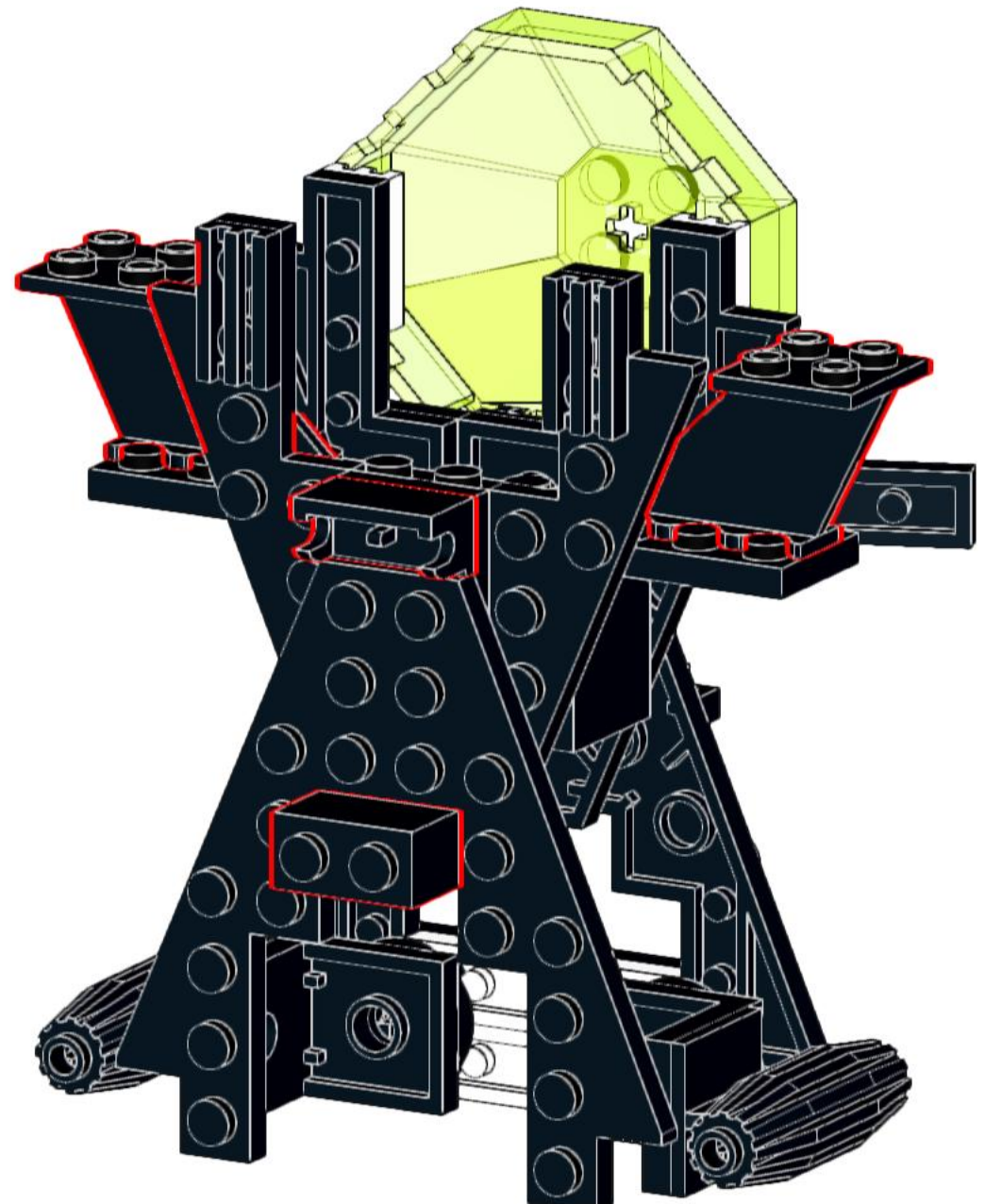
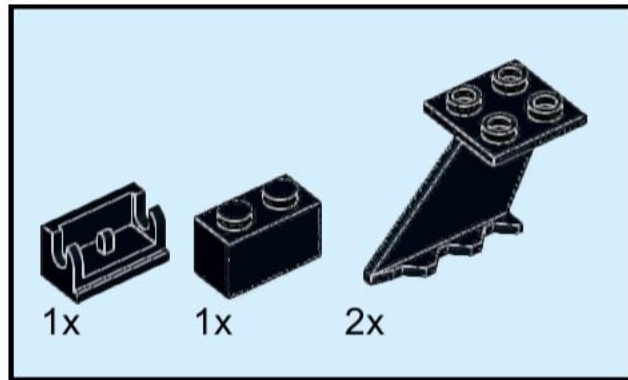
10



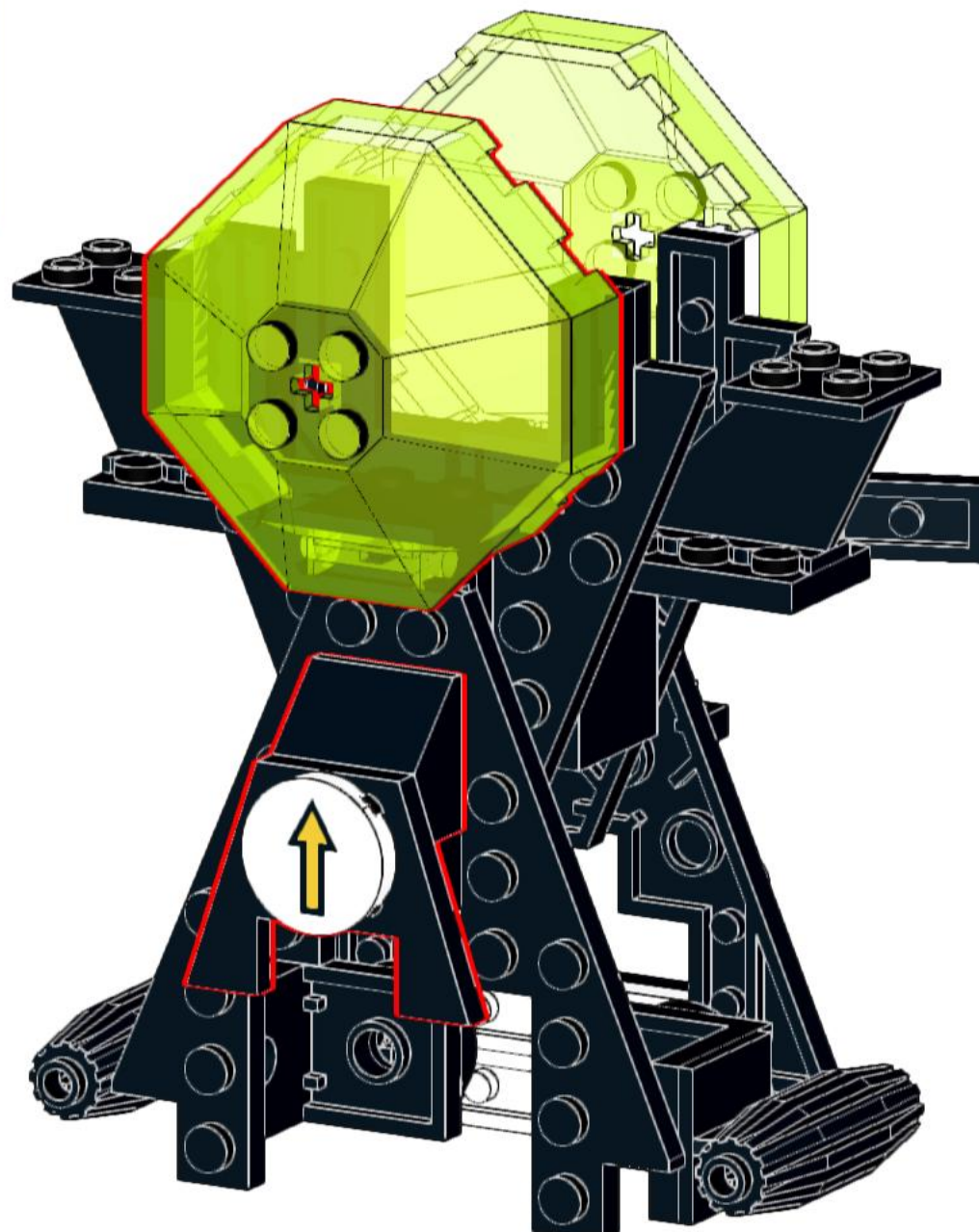
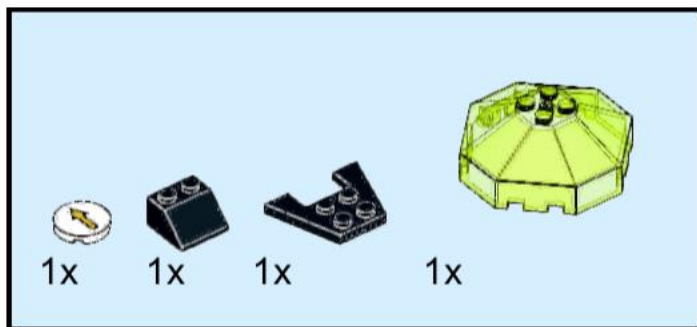
11



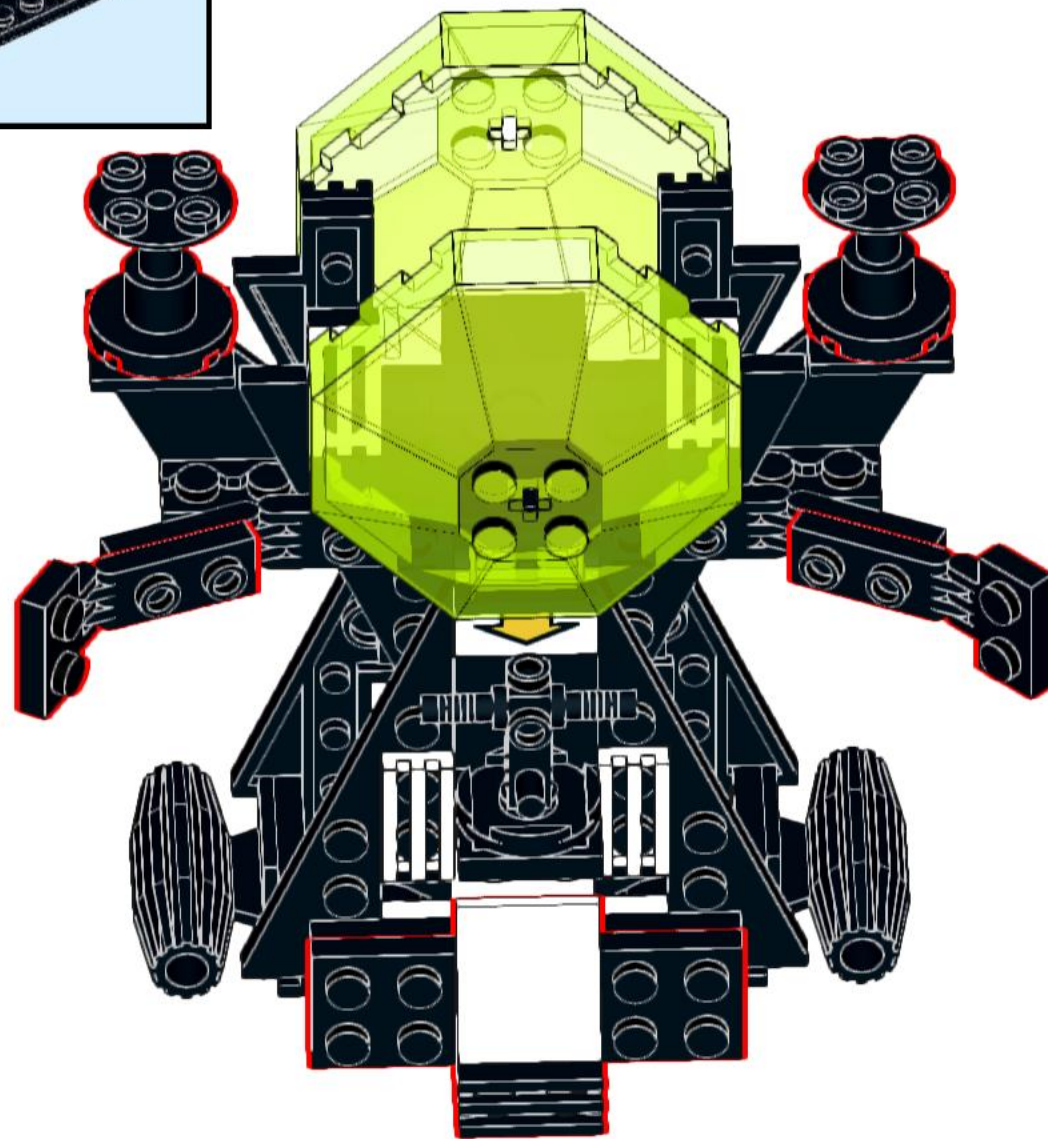
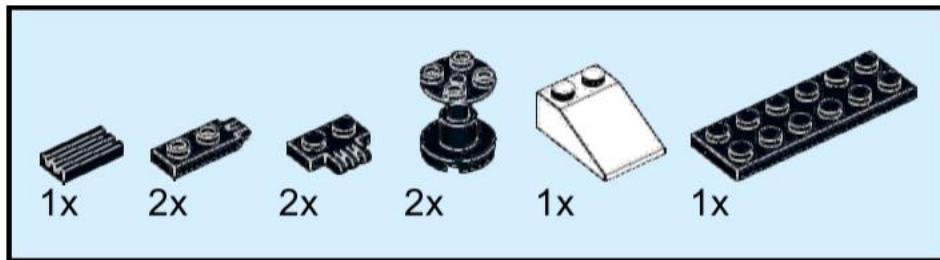
12



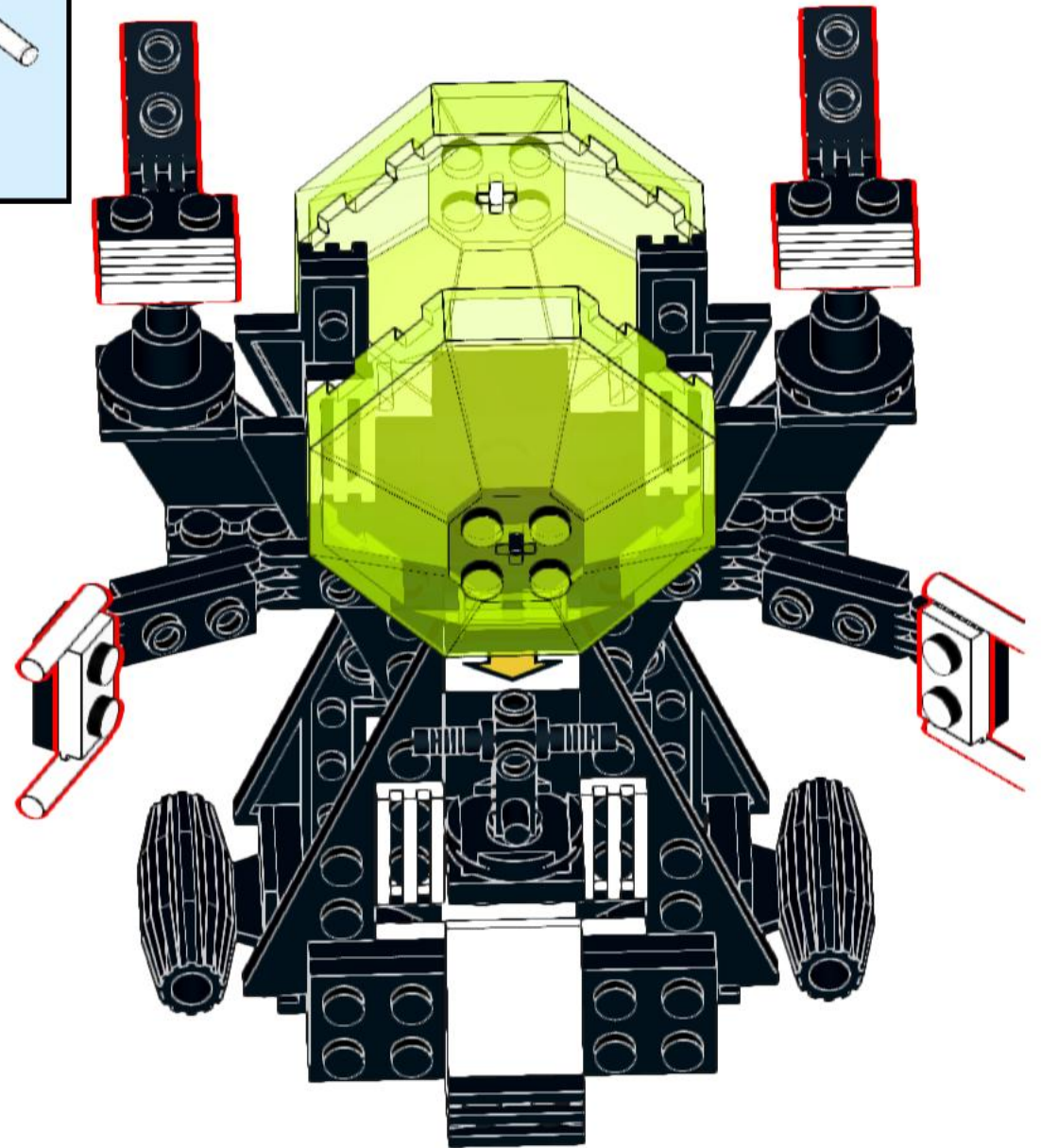
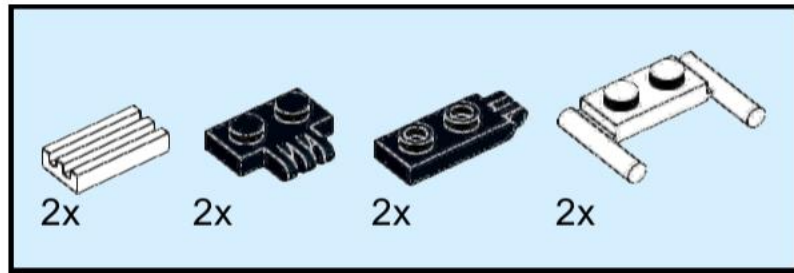
13



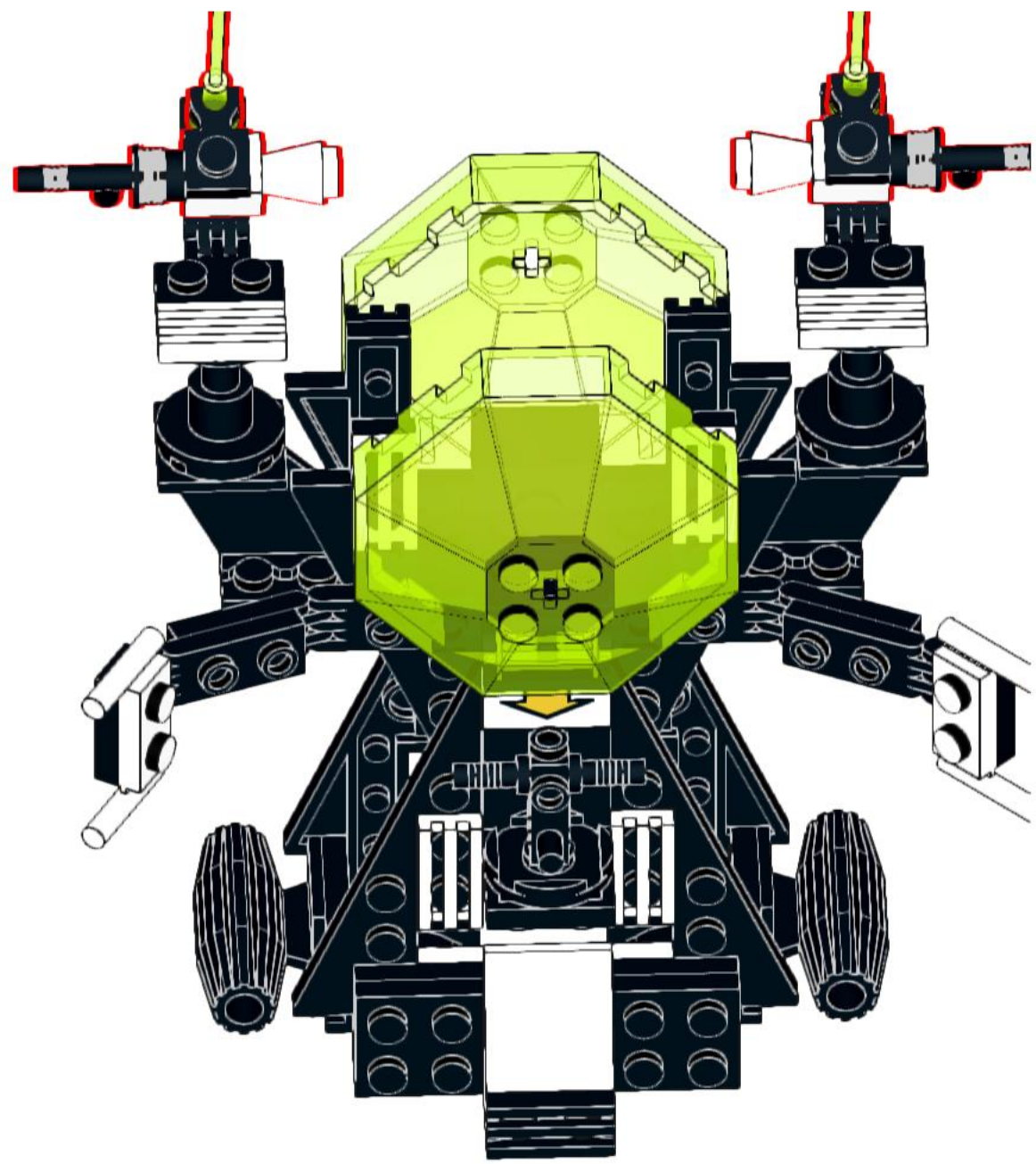
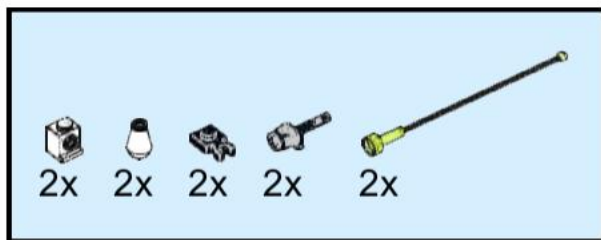
14



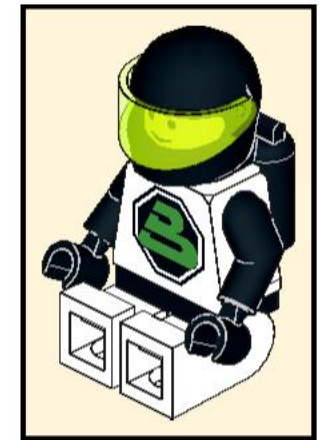
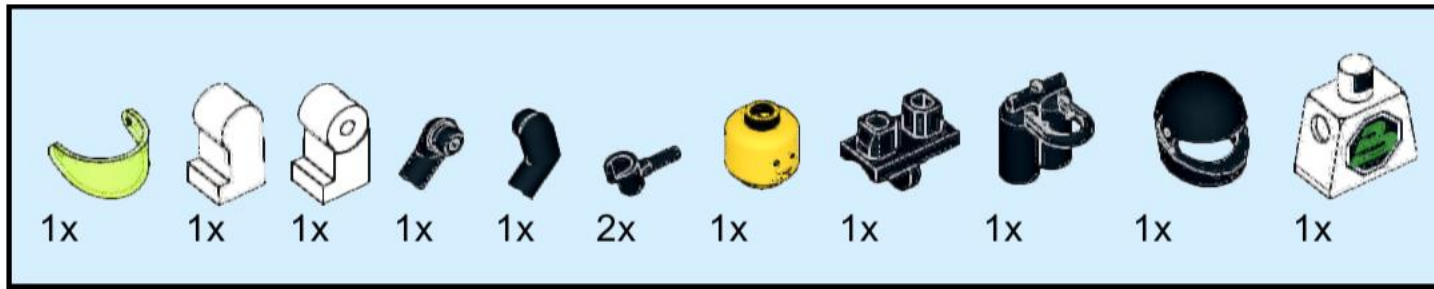
15



16



17



18

