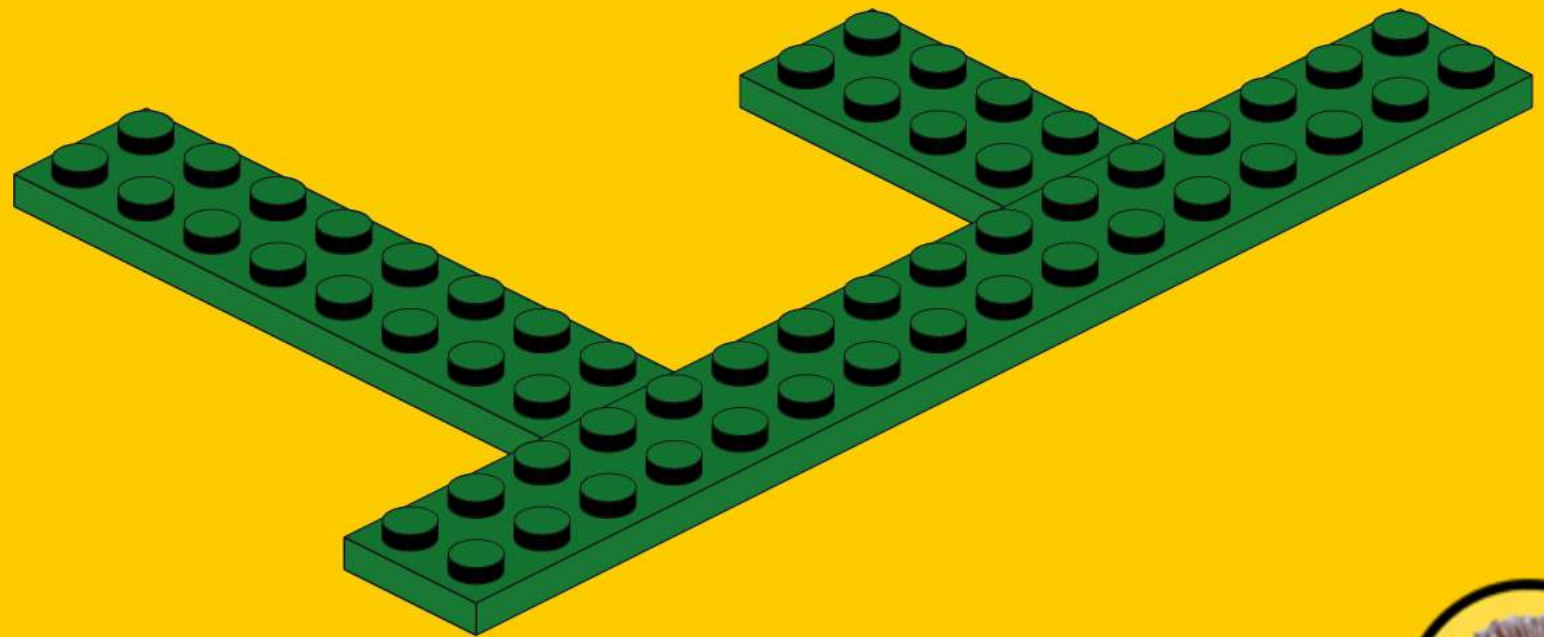
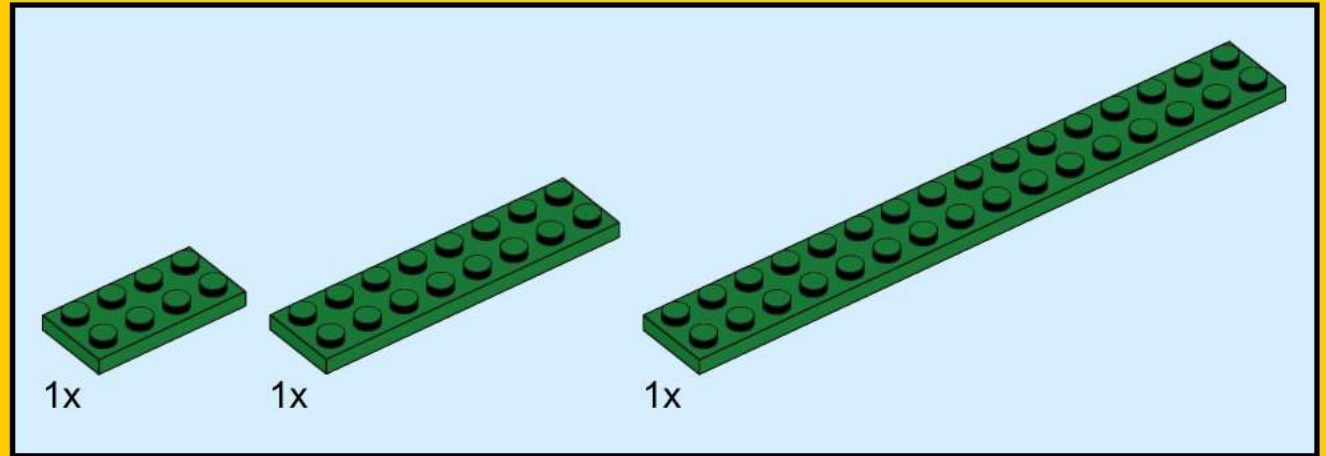


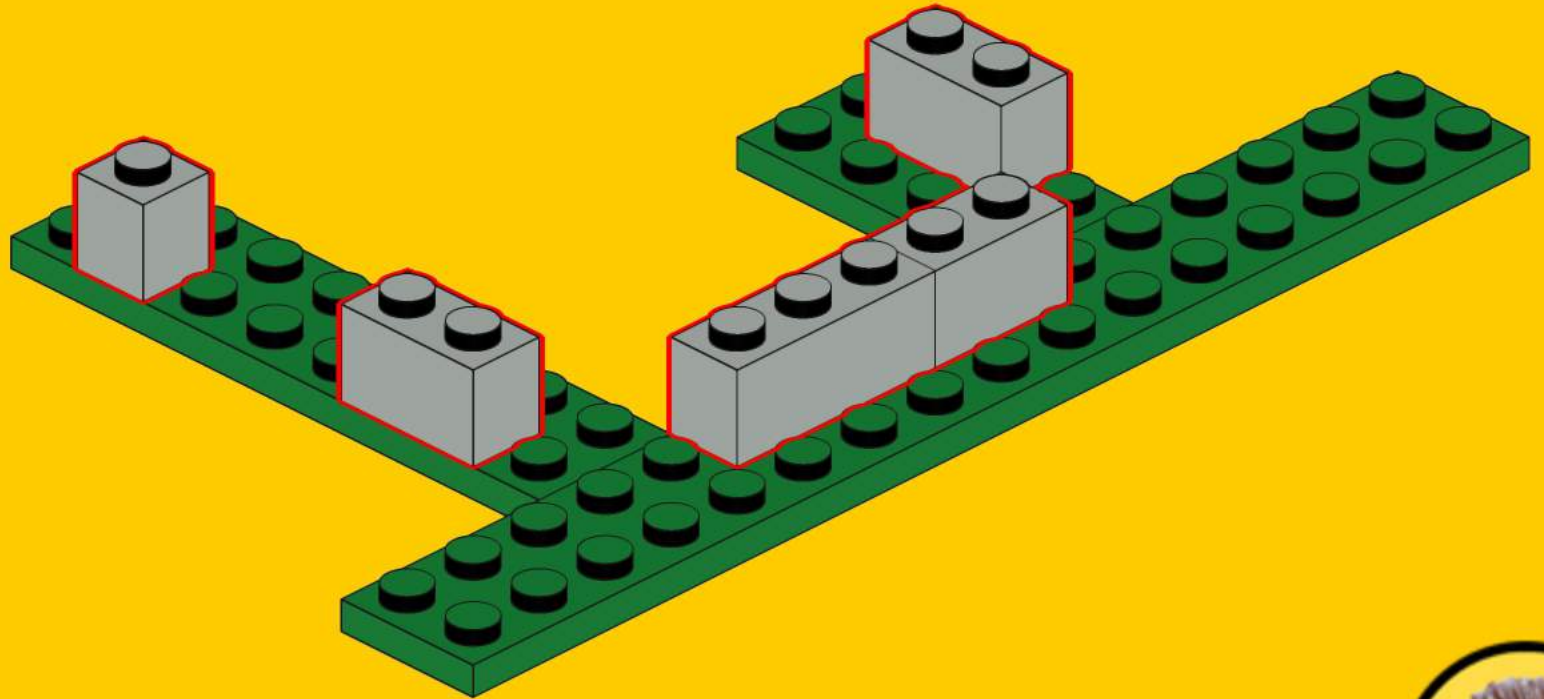
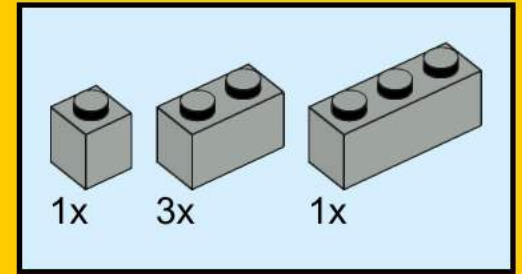
# 6074 Inside B Black Falcon's Outpost



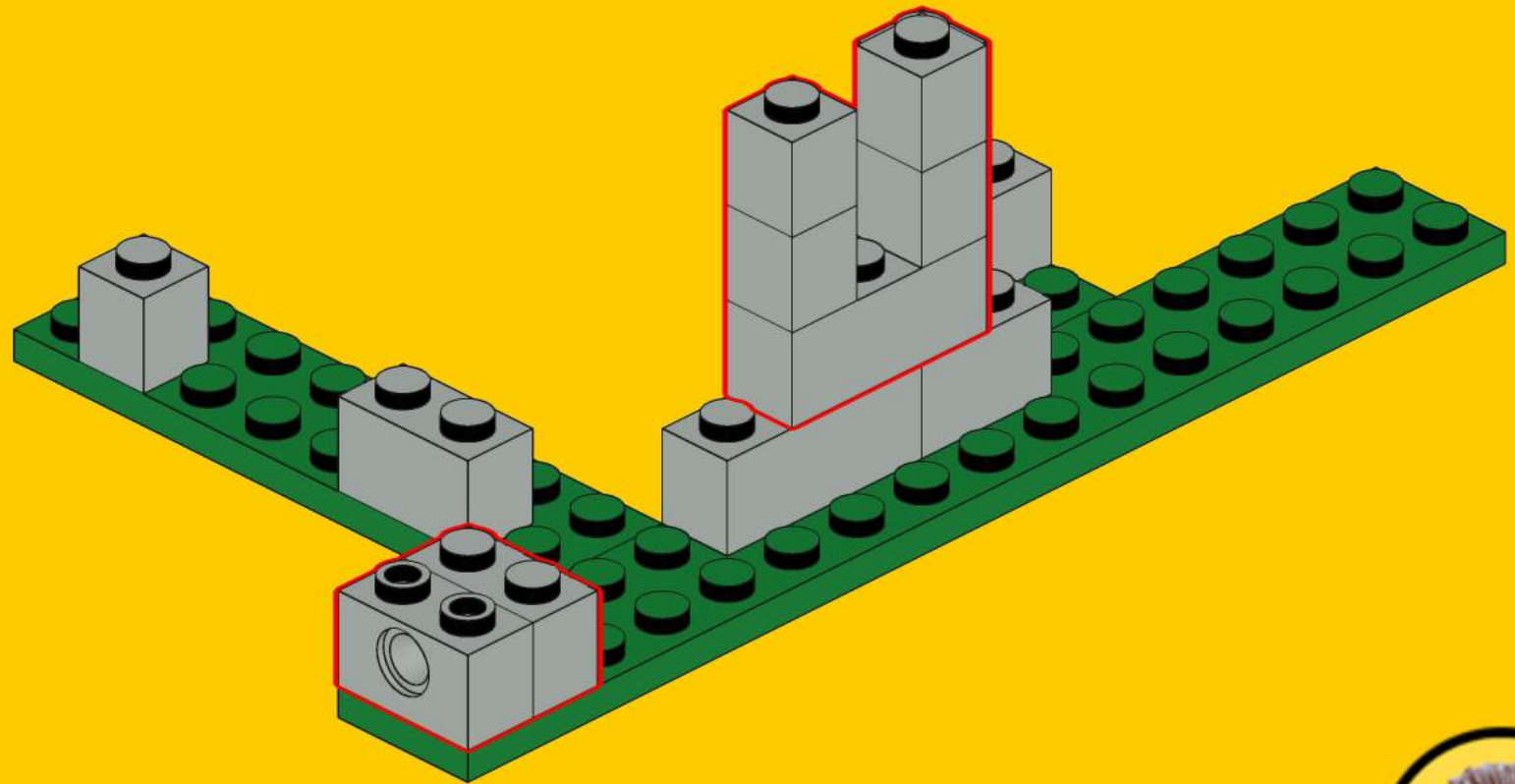
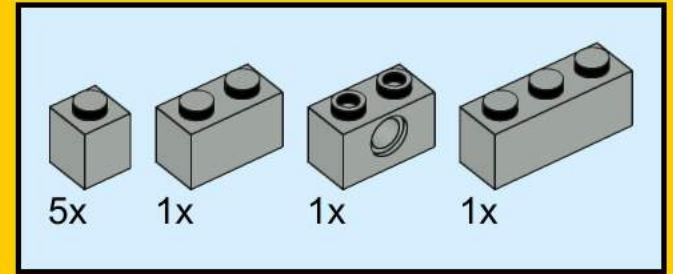
# 1



# 2

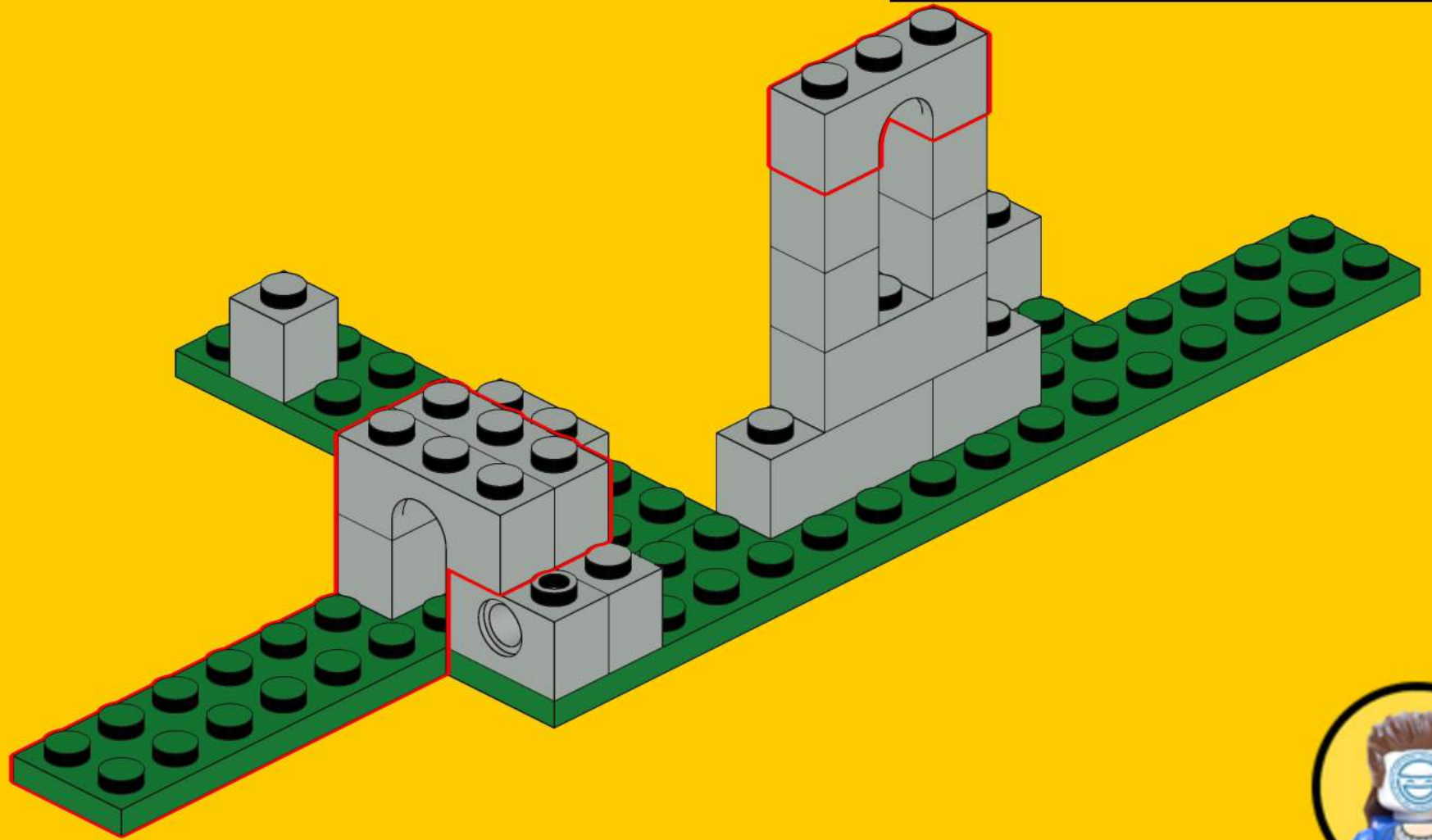
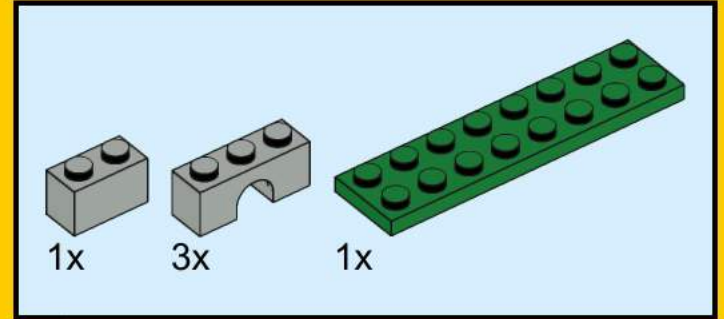


# 3

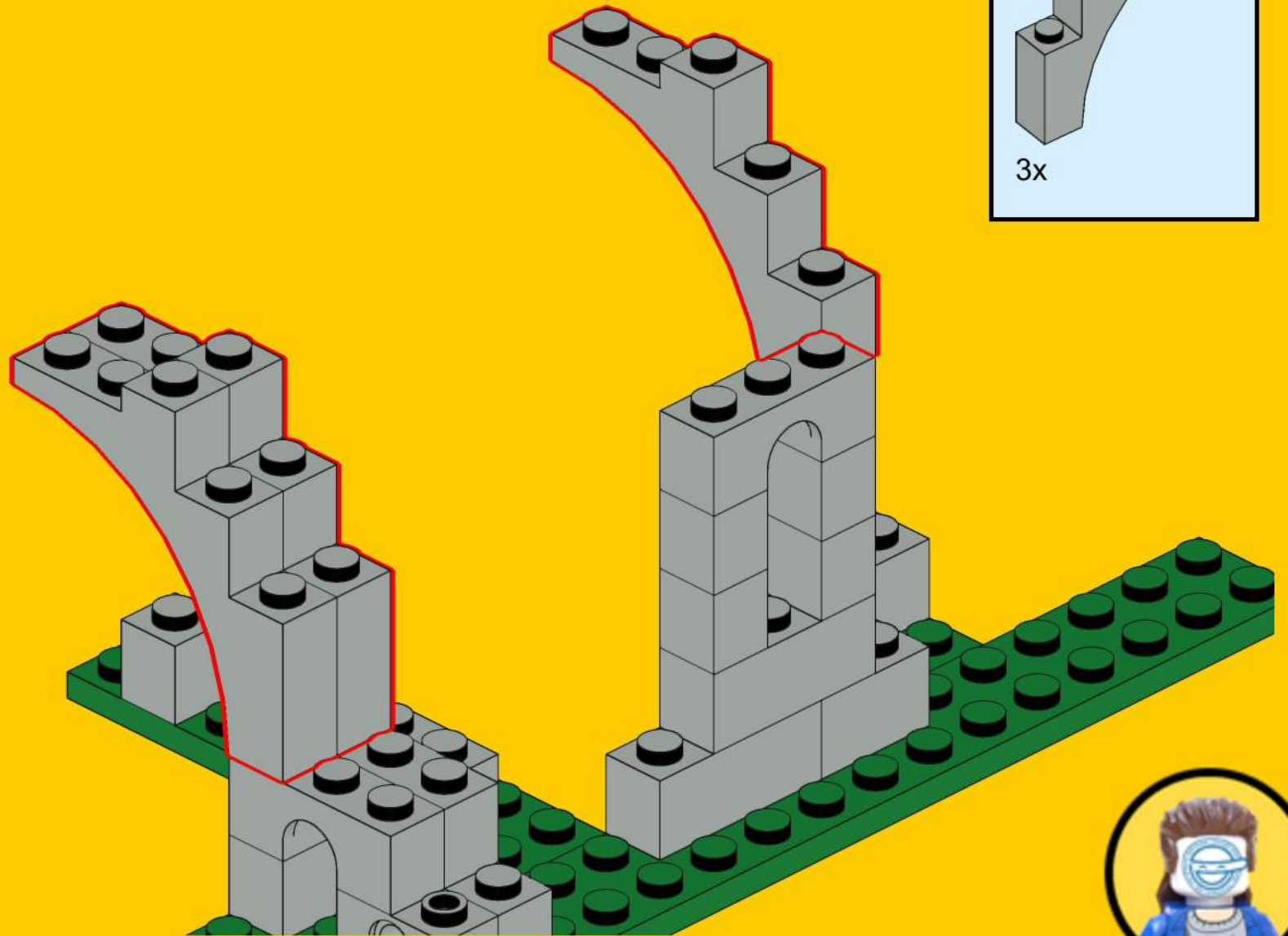




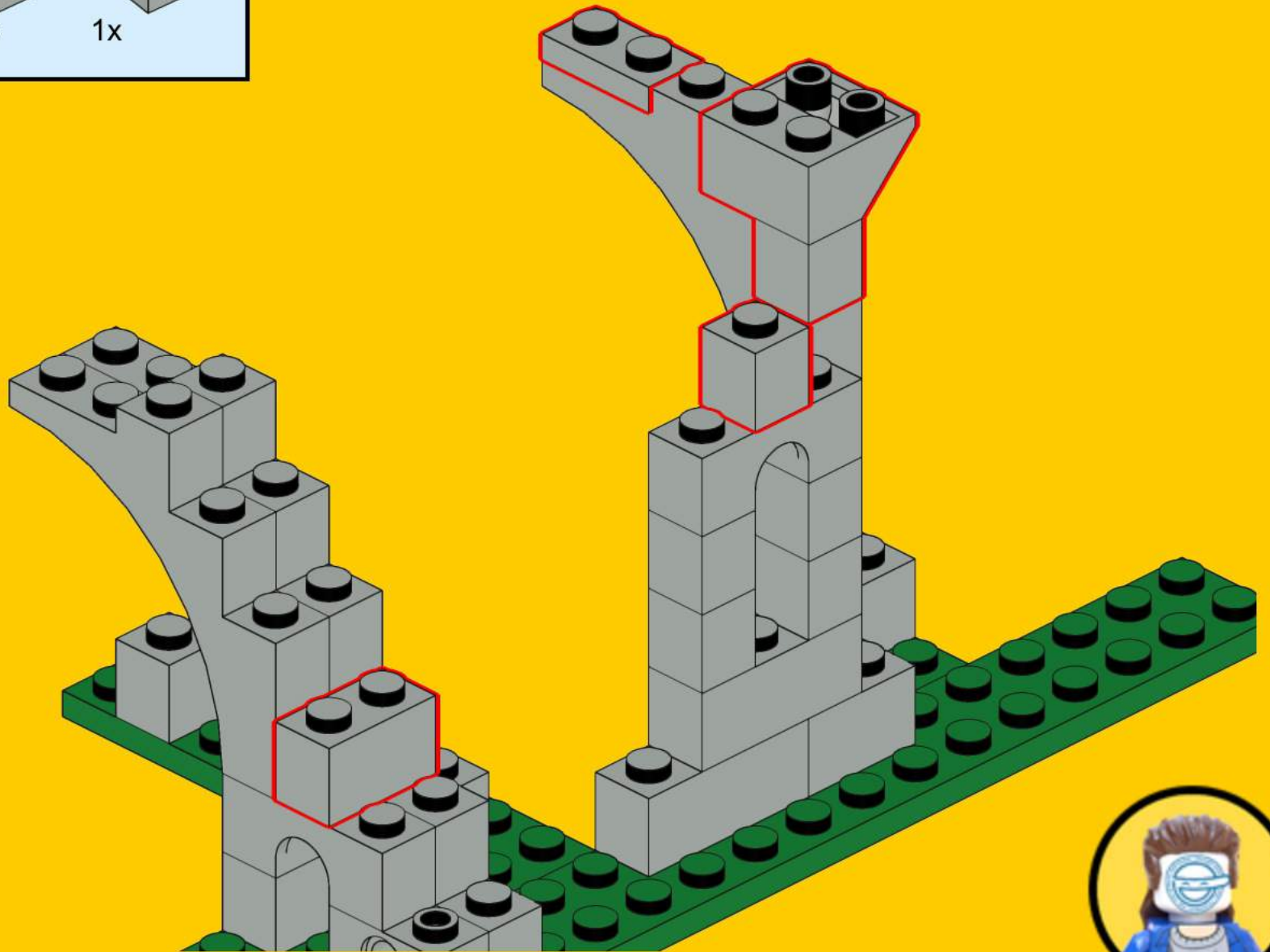
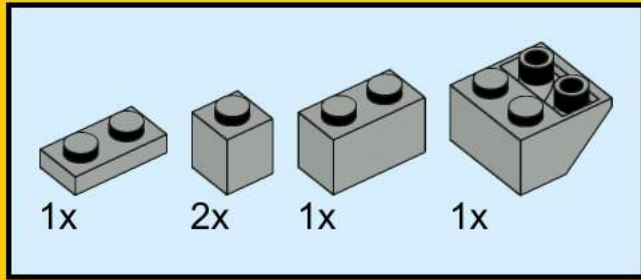
4



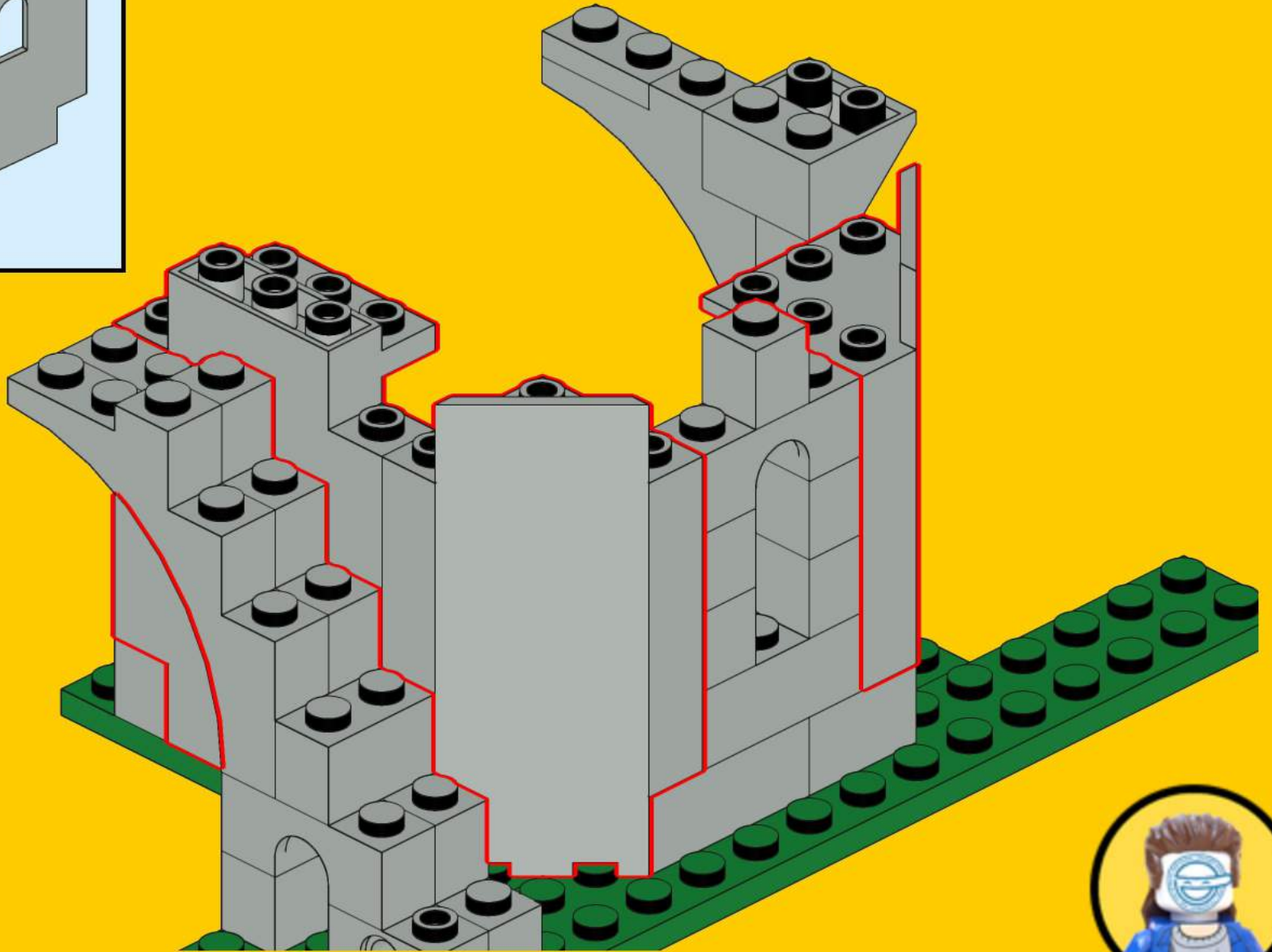
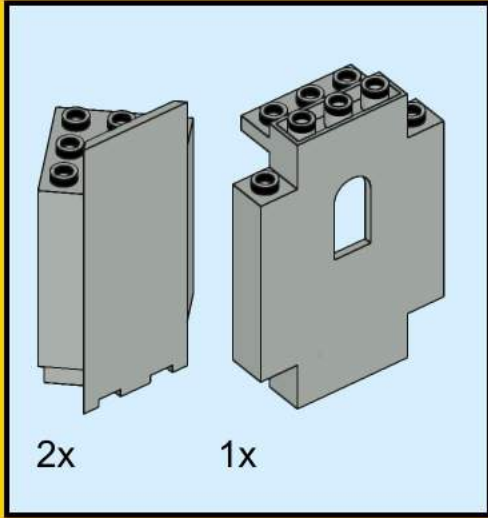
5



# 6

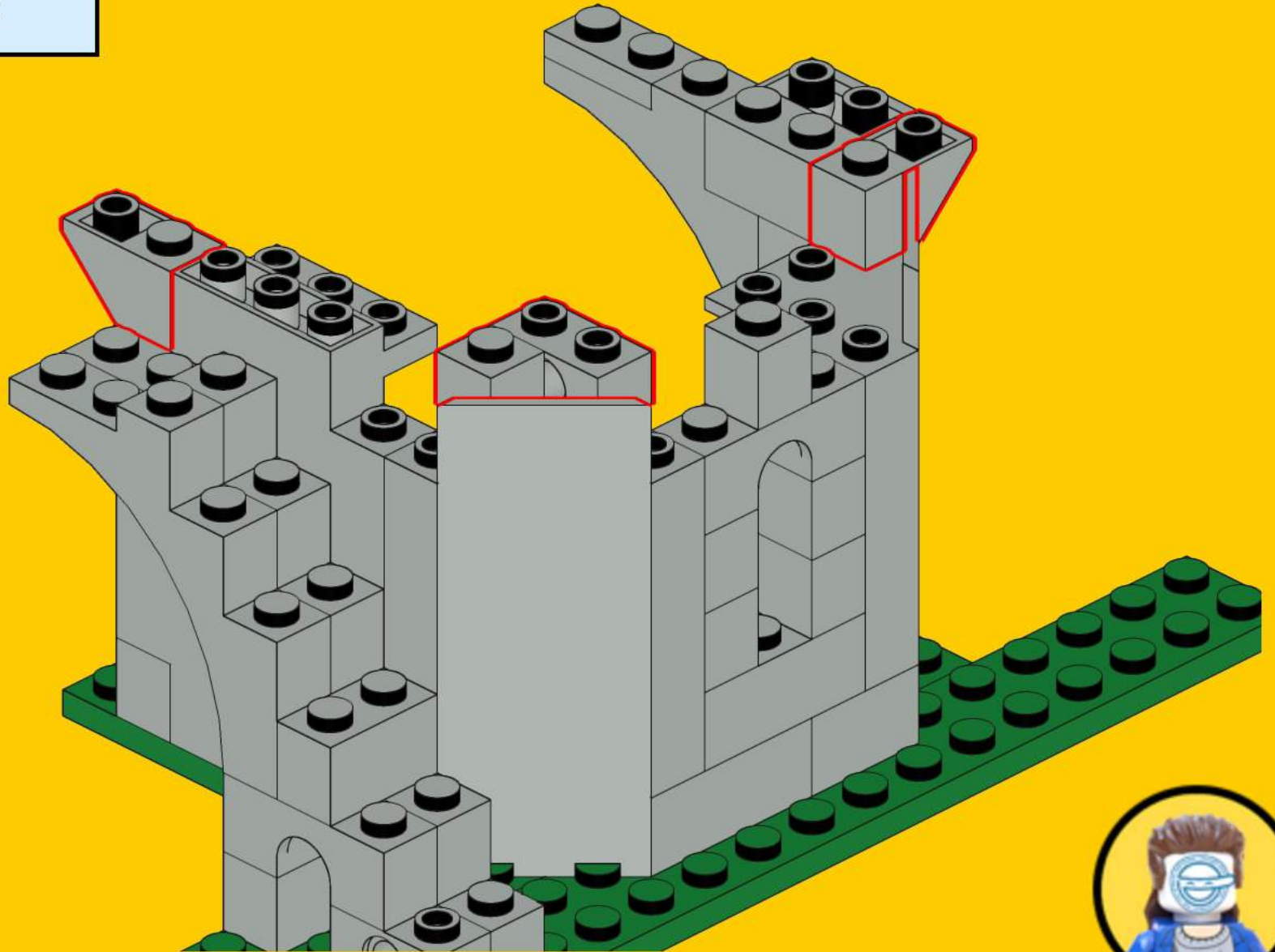
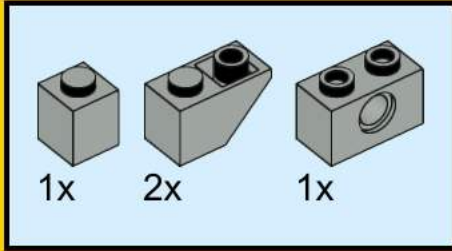


7

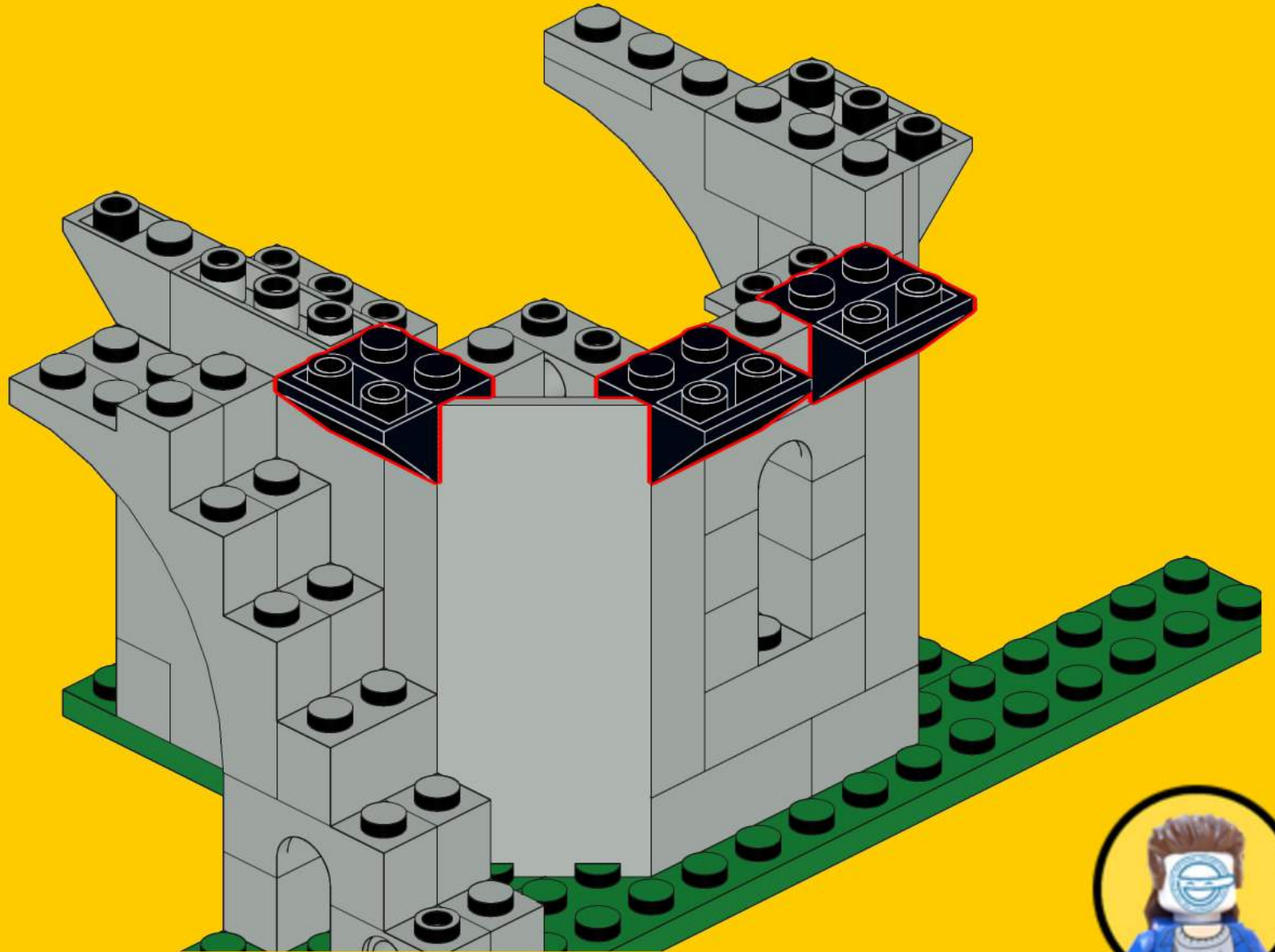




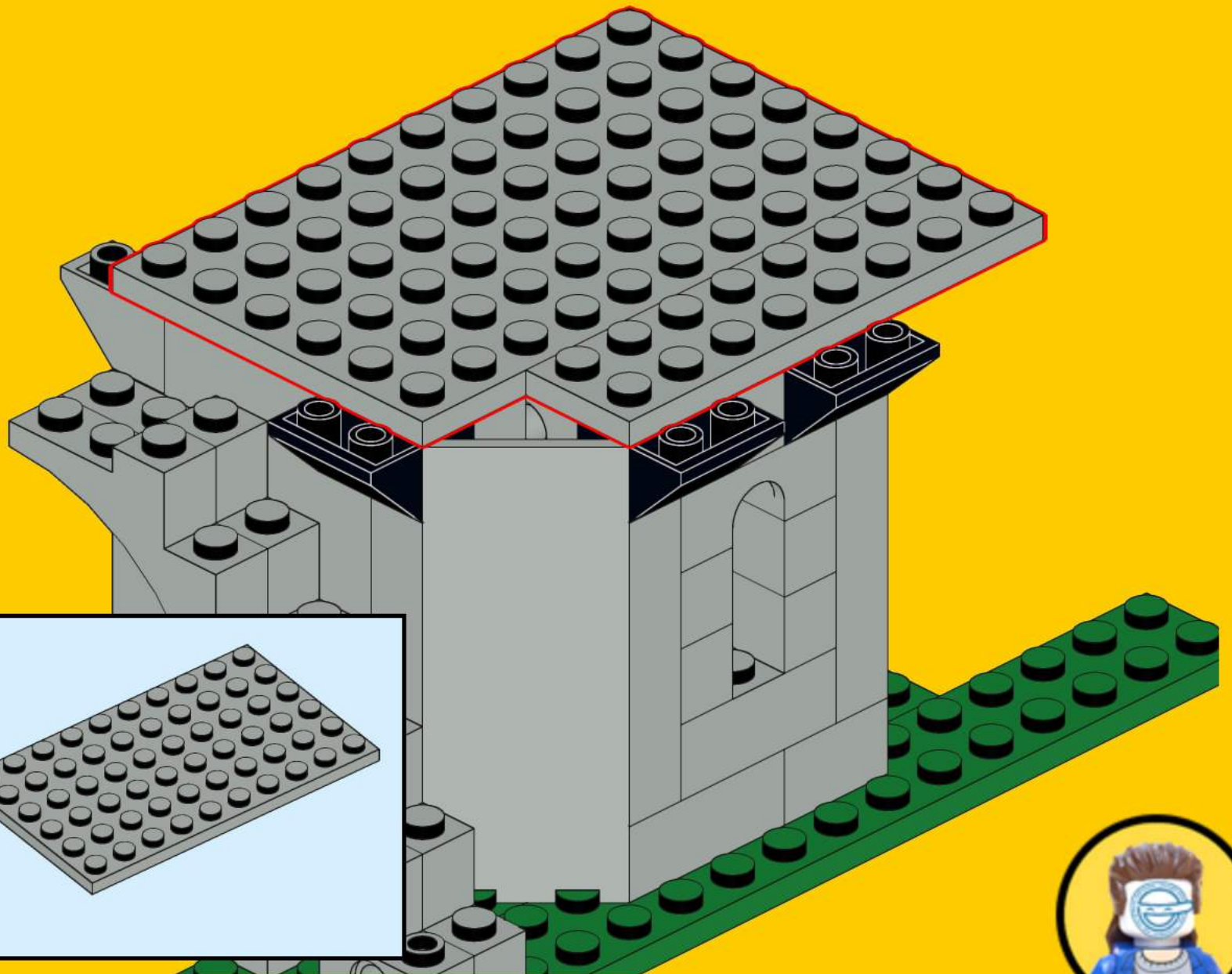
8



9

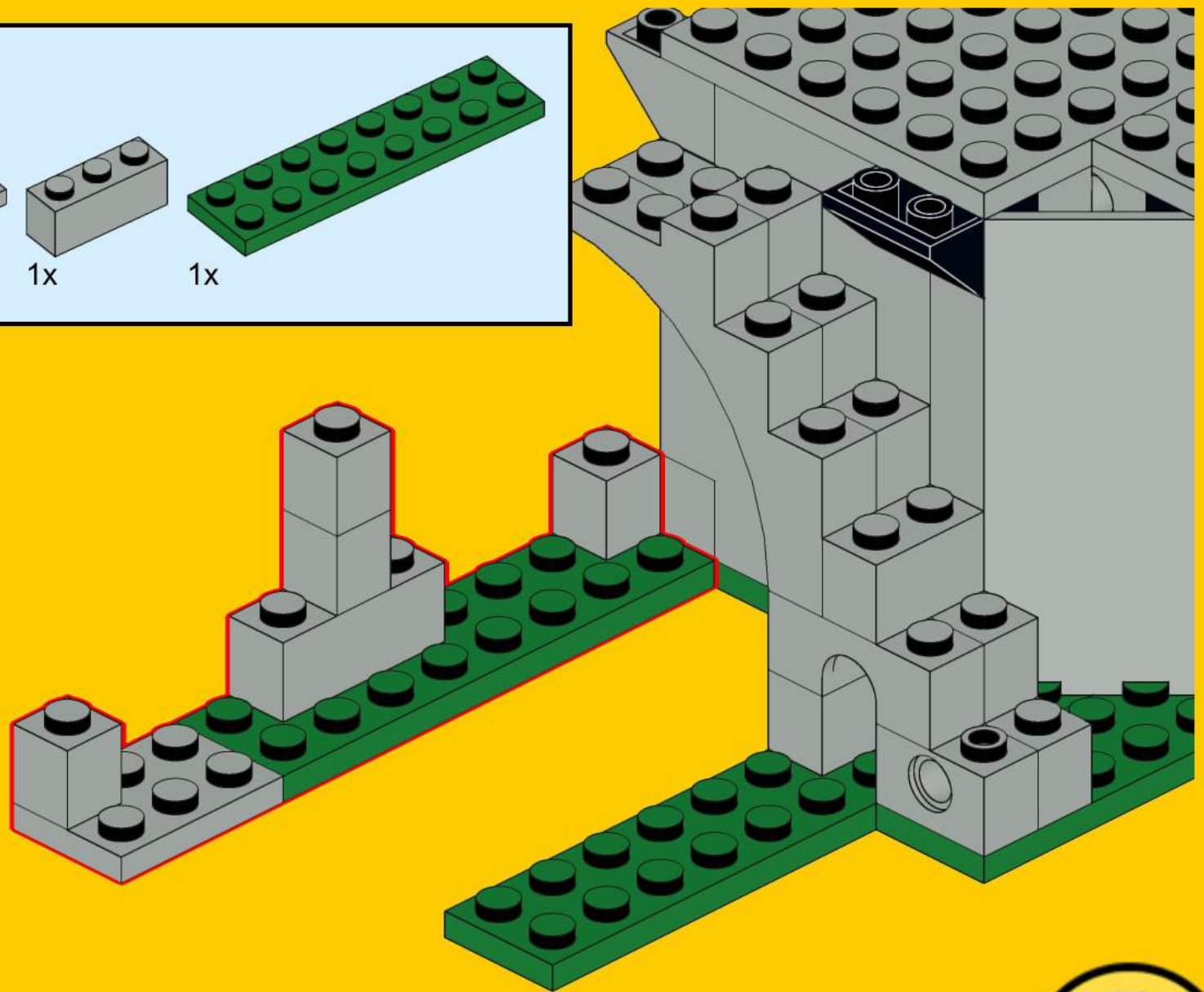
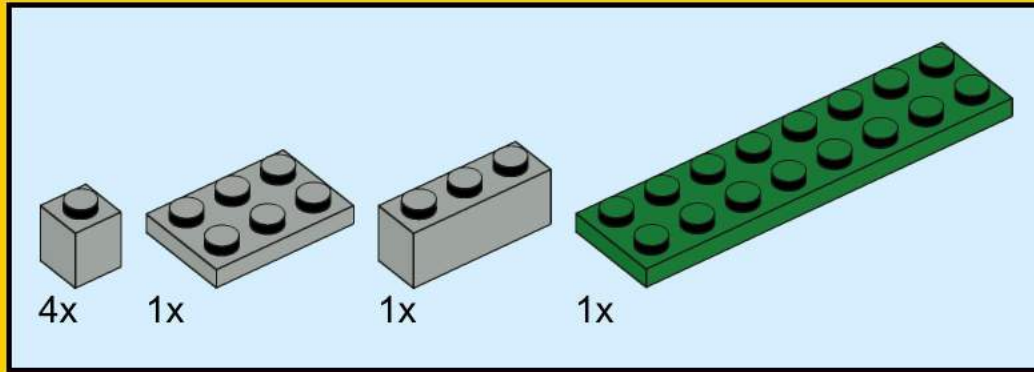


# 10



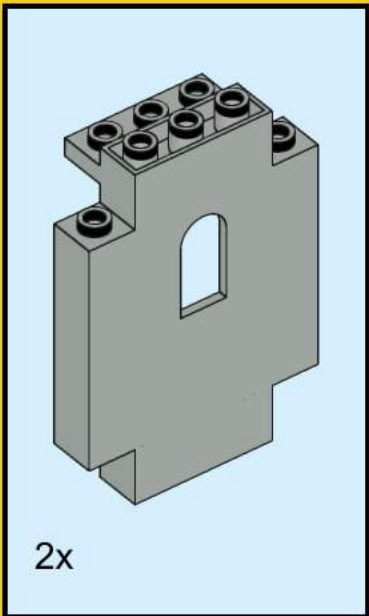
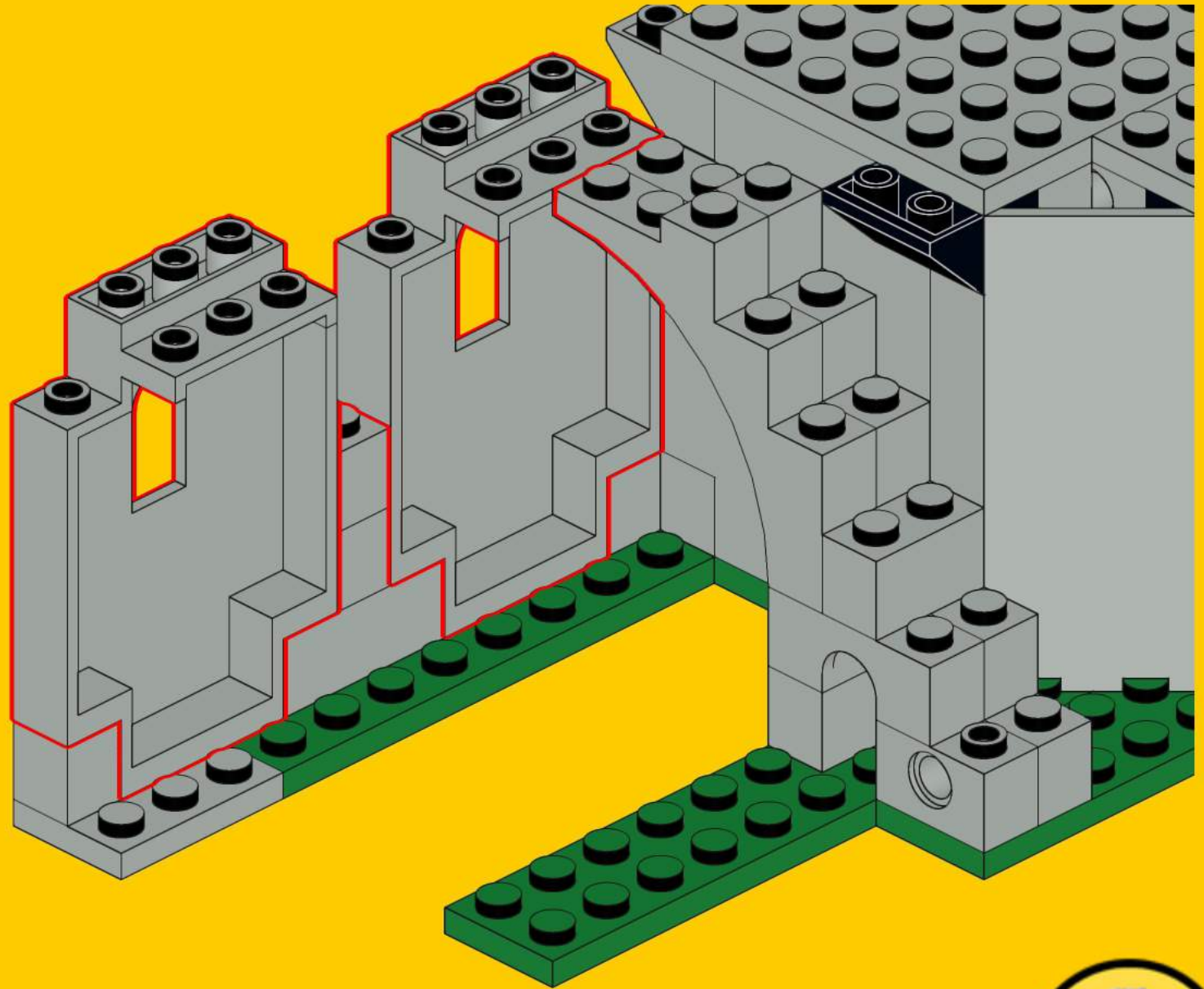


# 11

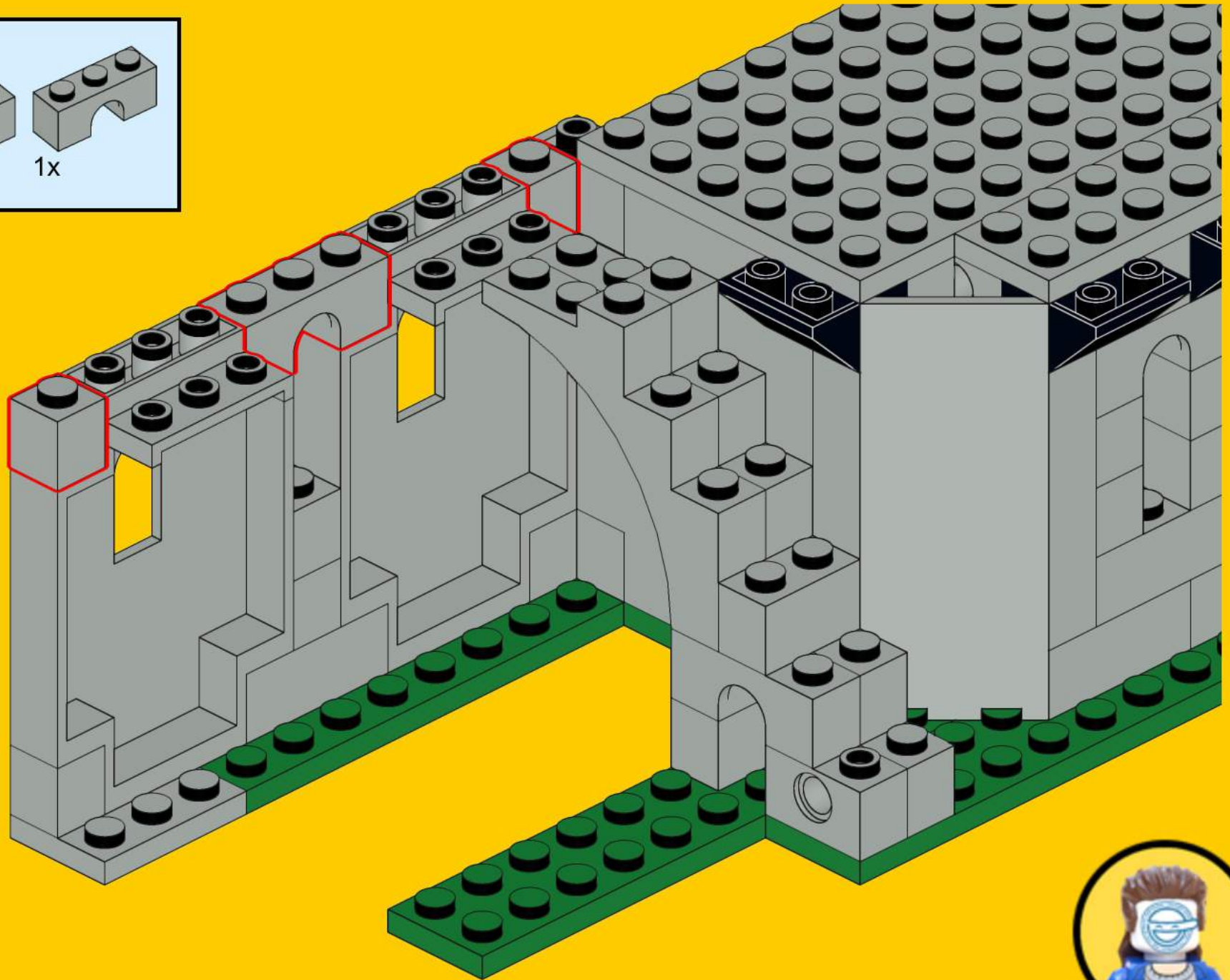
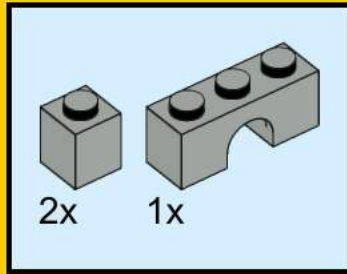




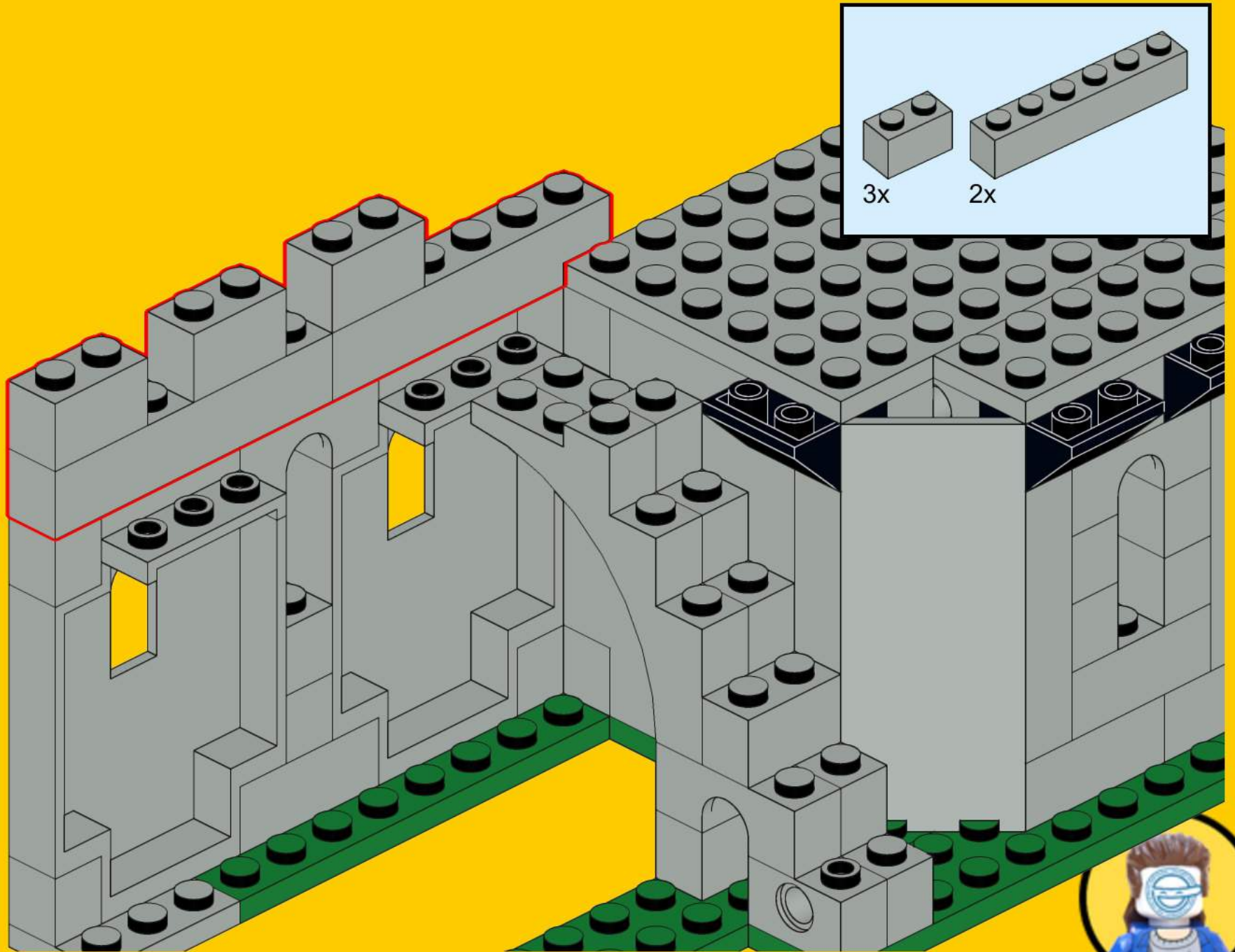
# 12



# 13

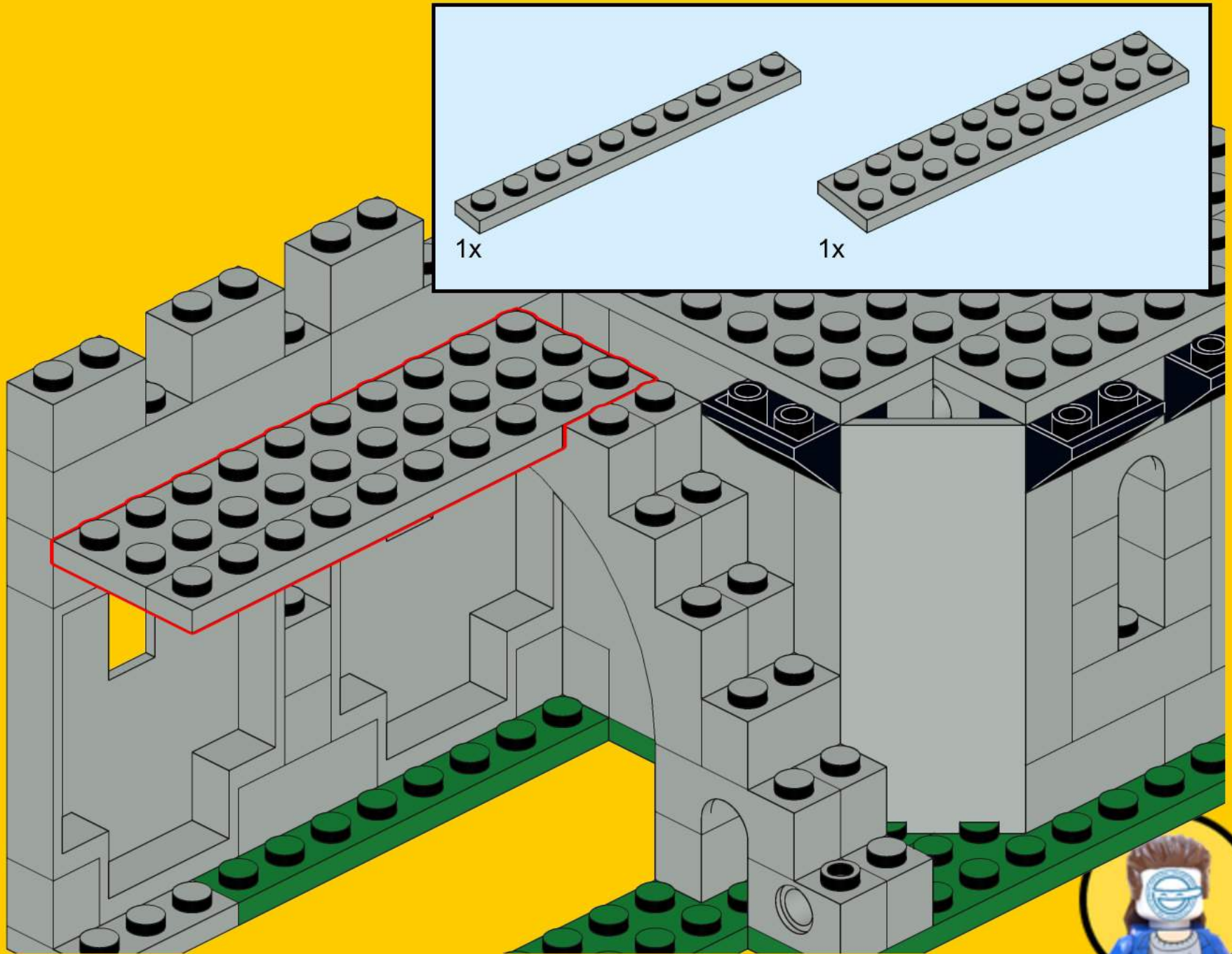


# 14



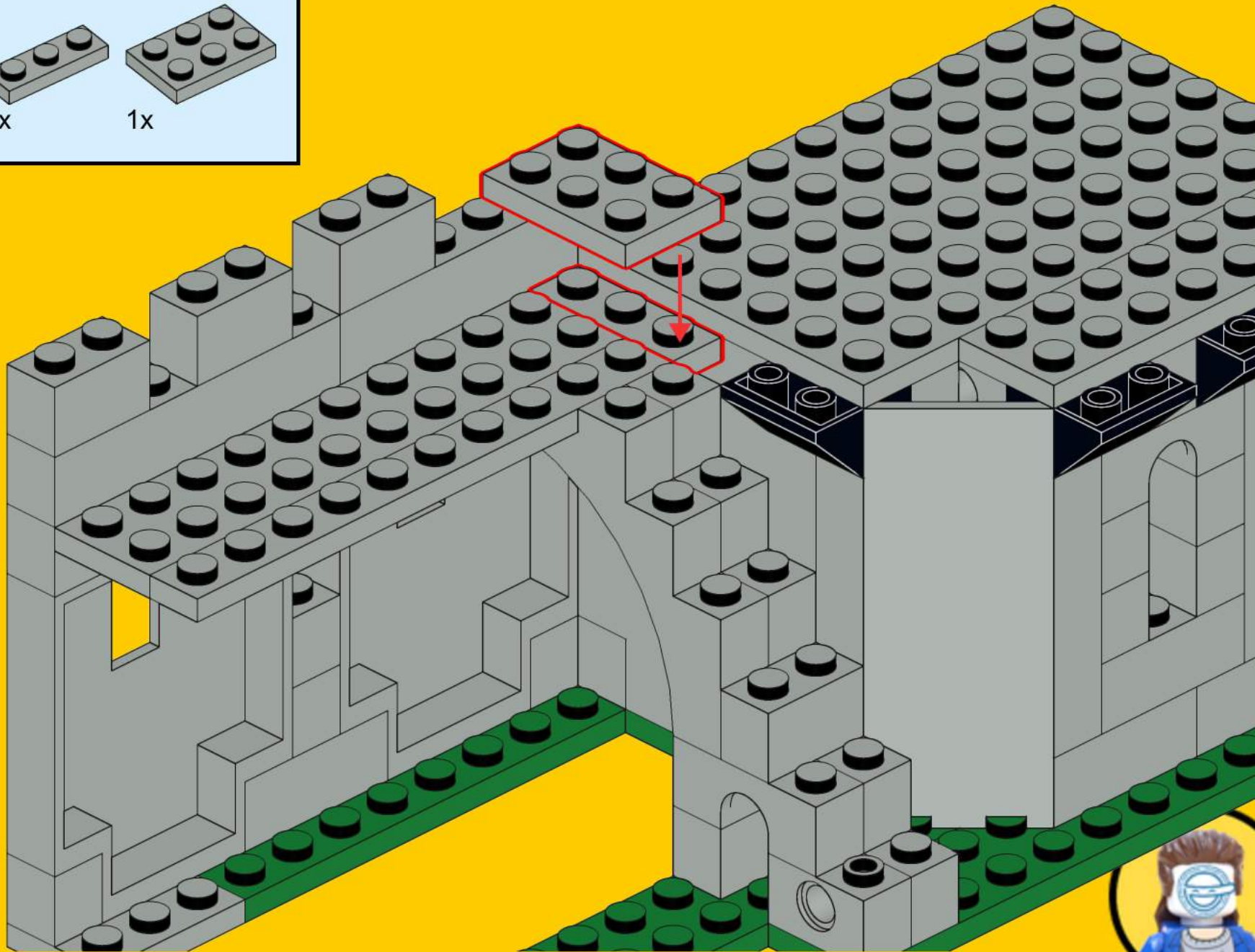
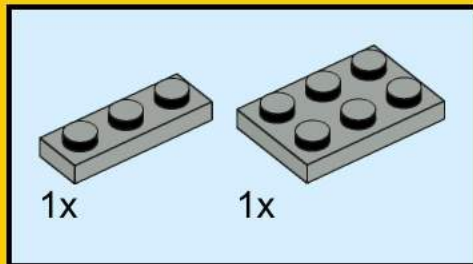


# 15

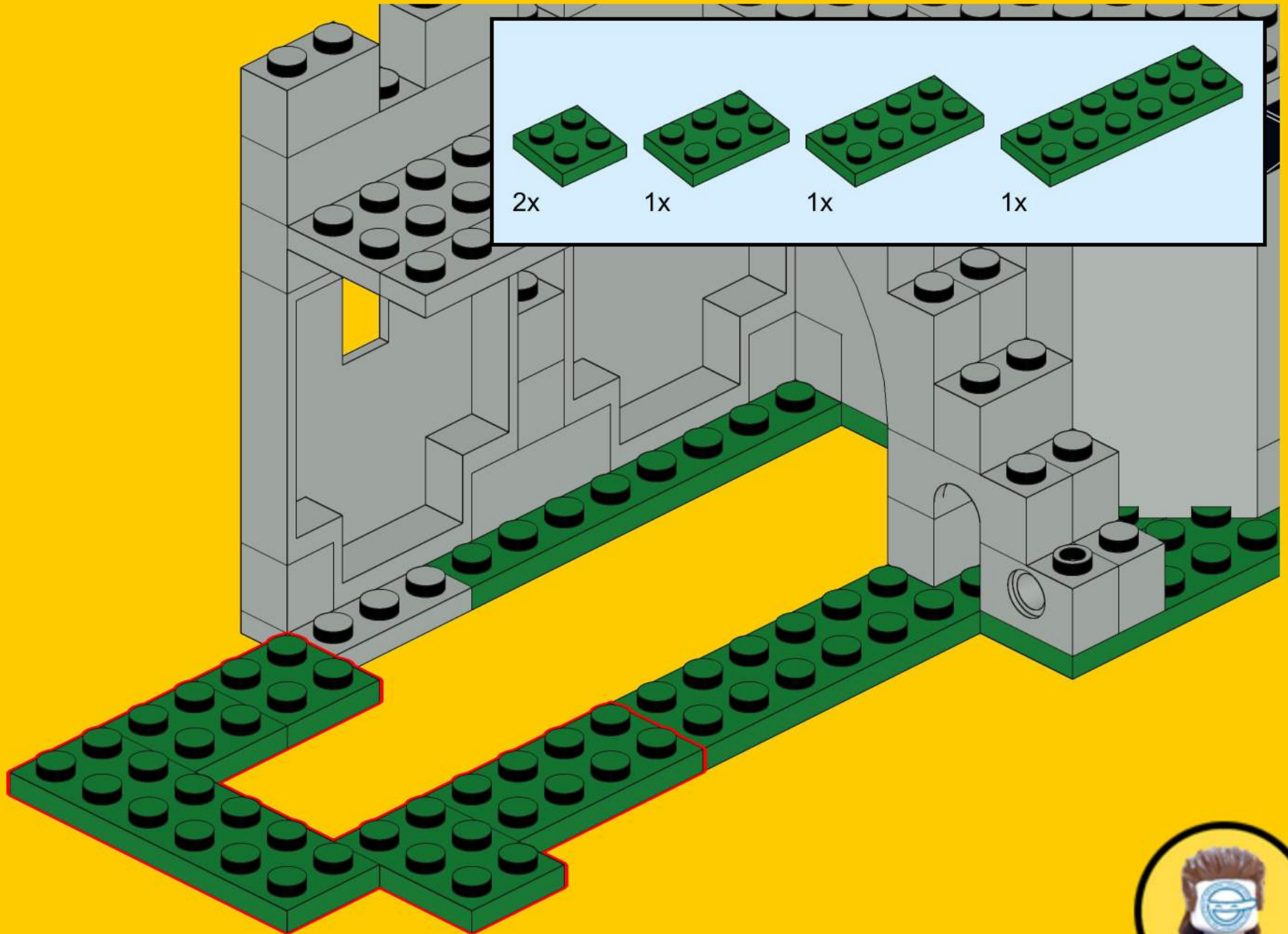




# 16

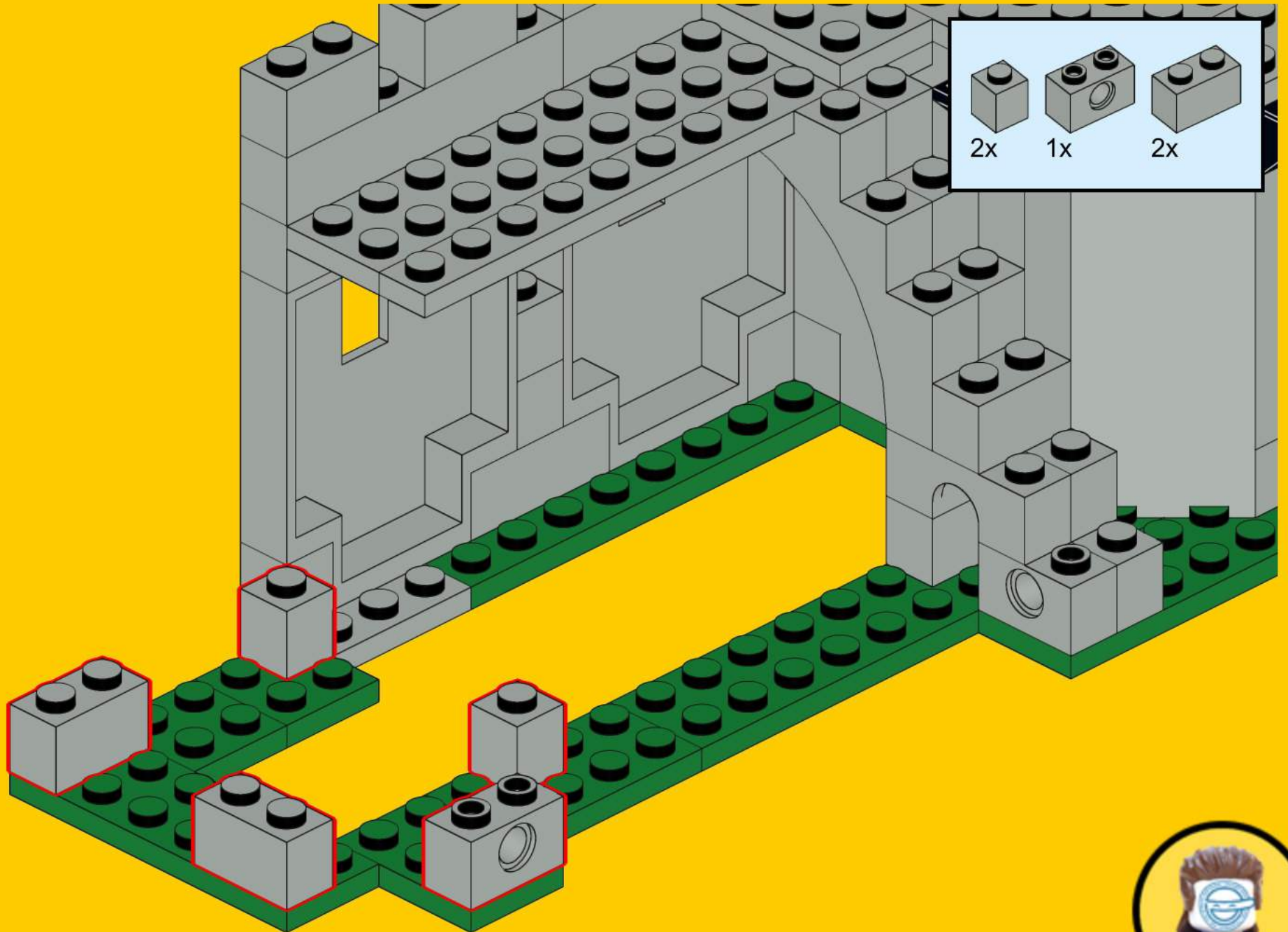


# 17

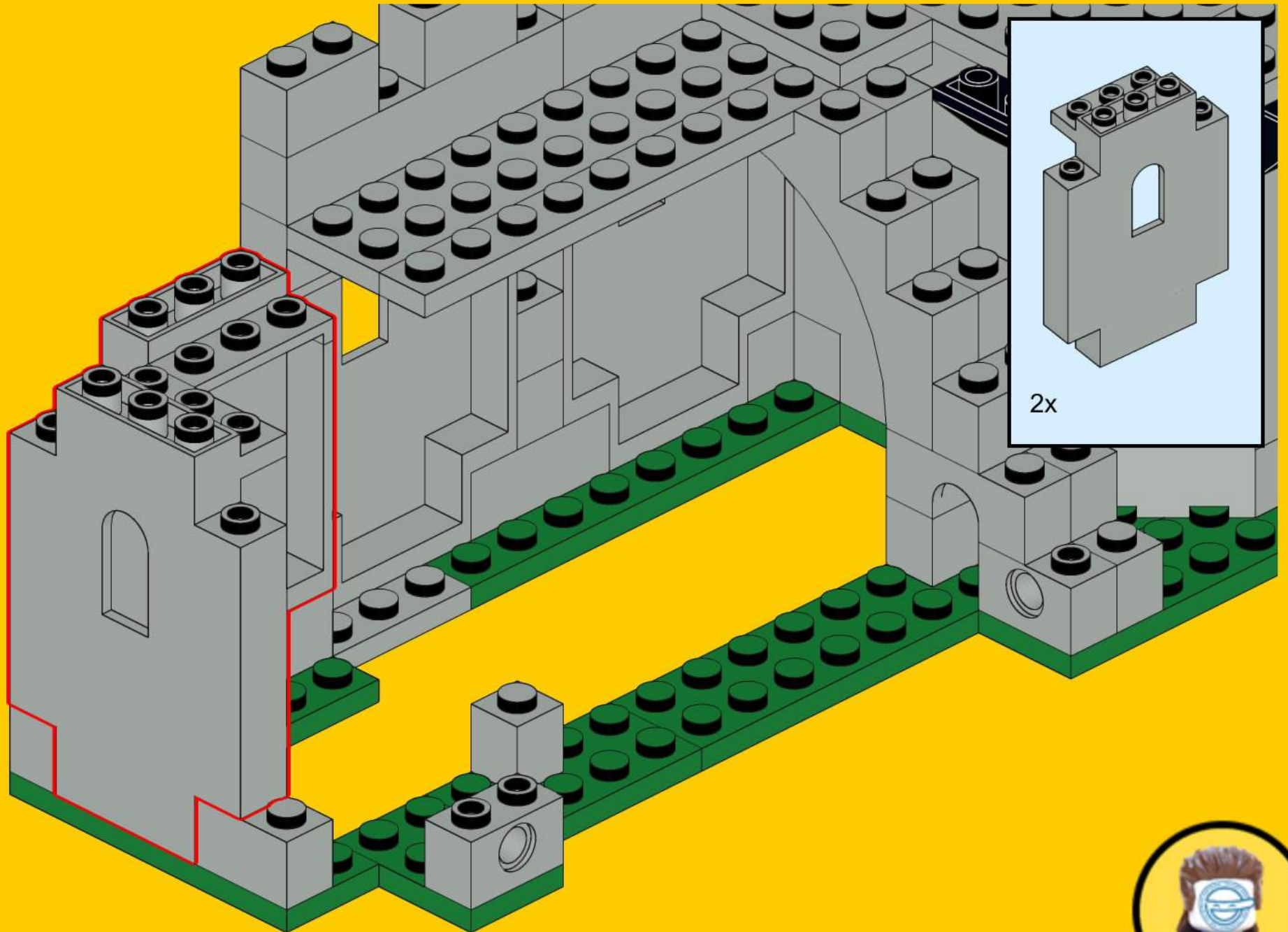




# 18

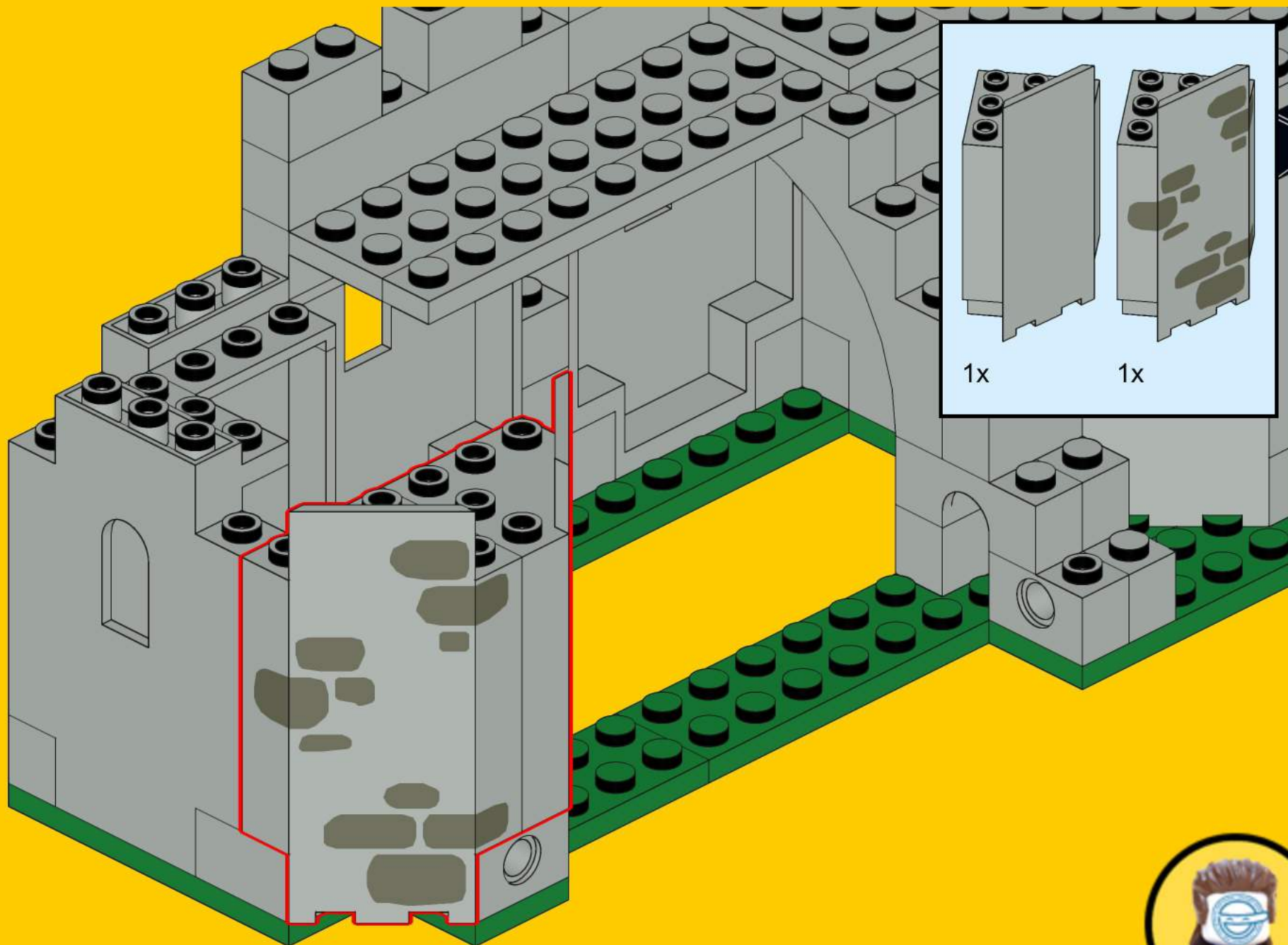


# 19

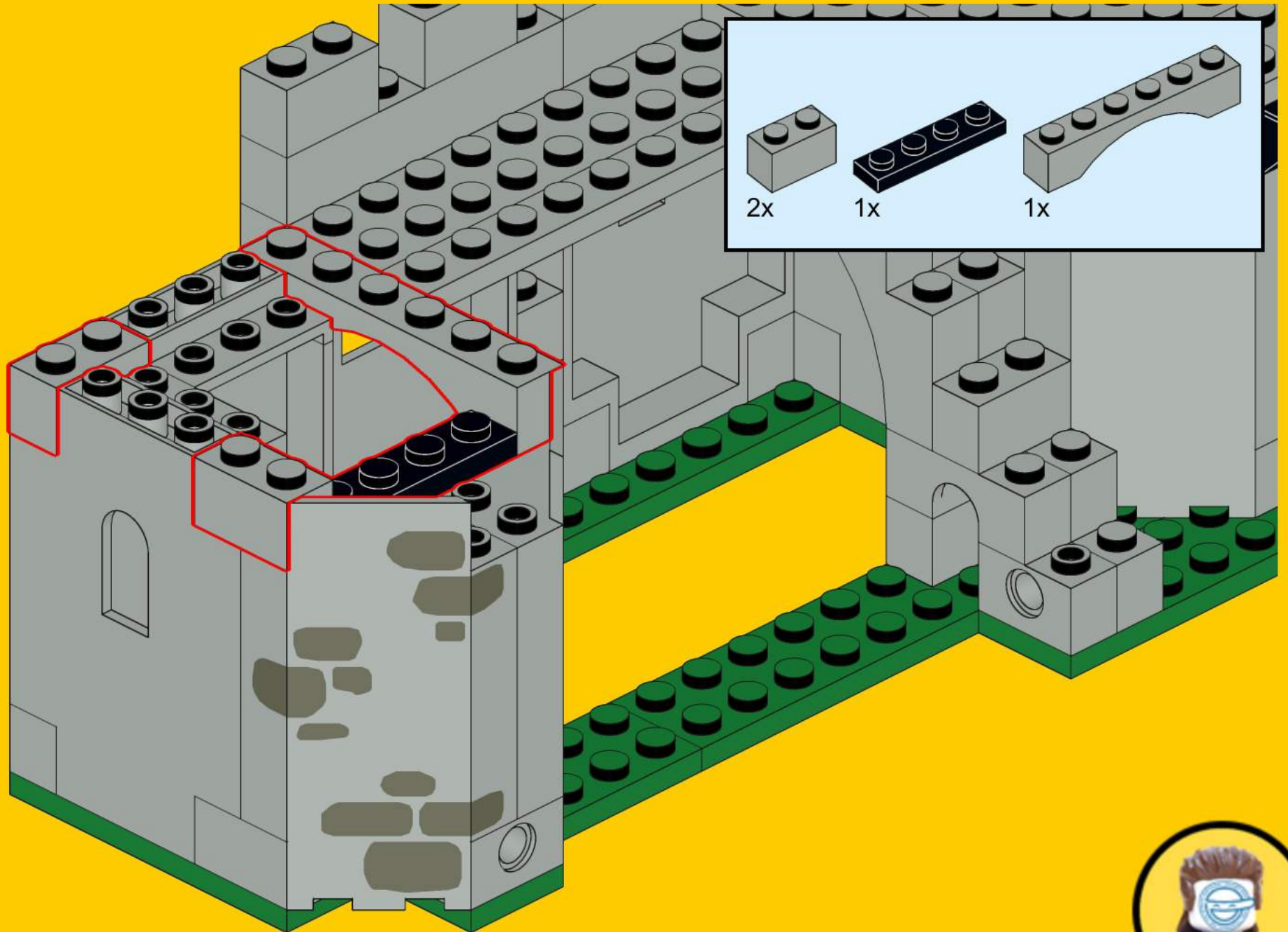




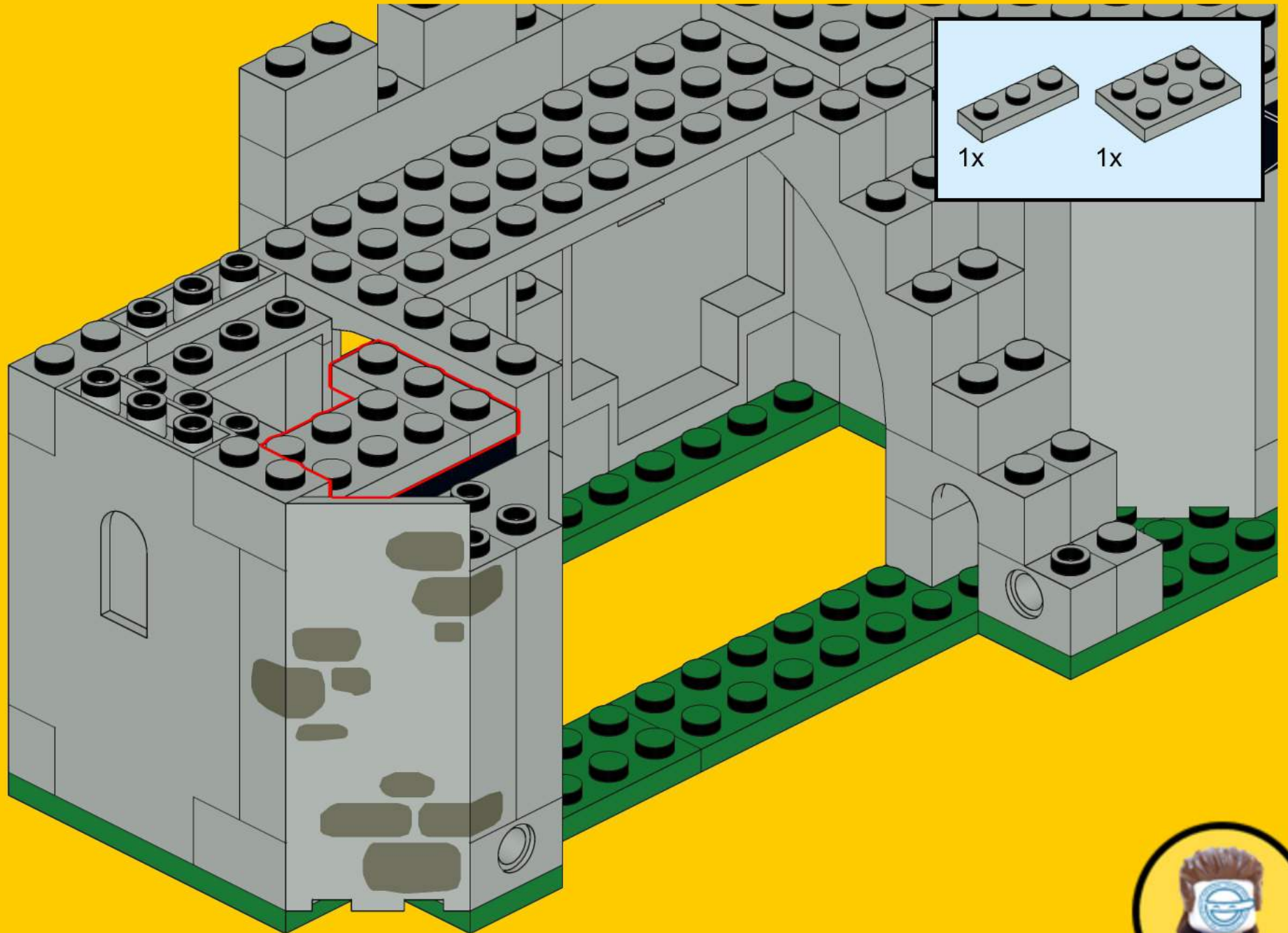
# 20



# 21

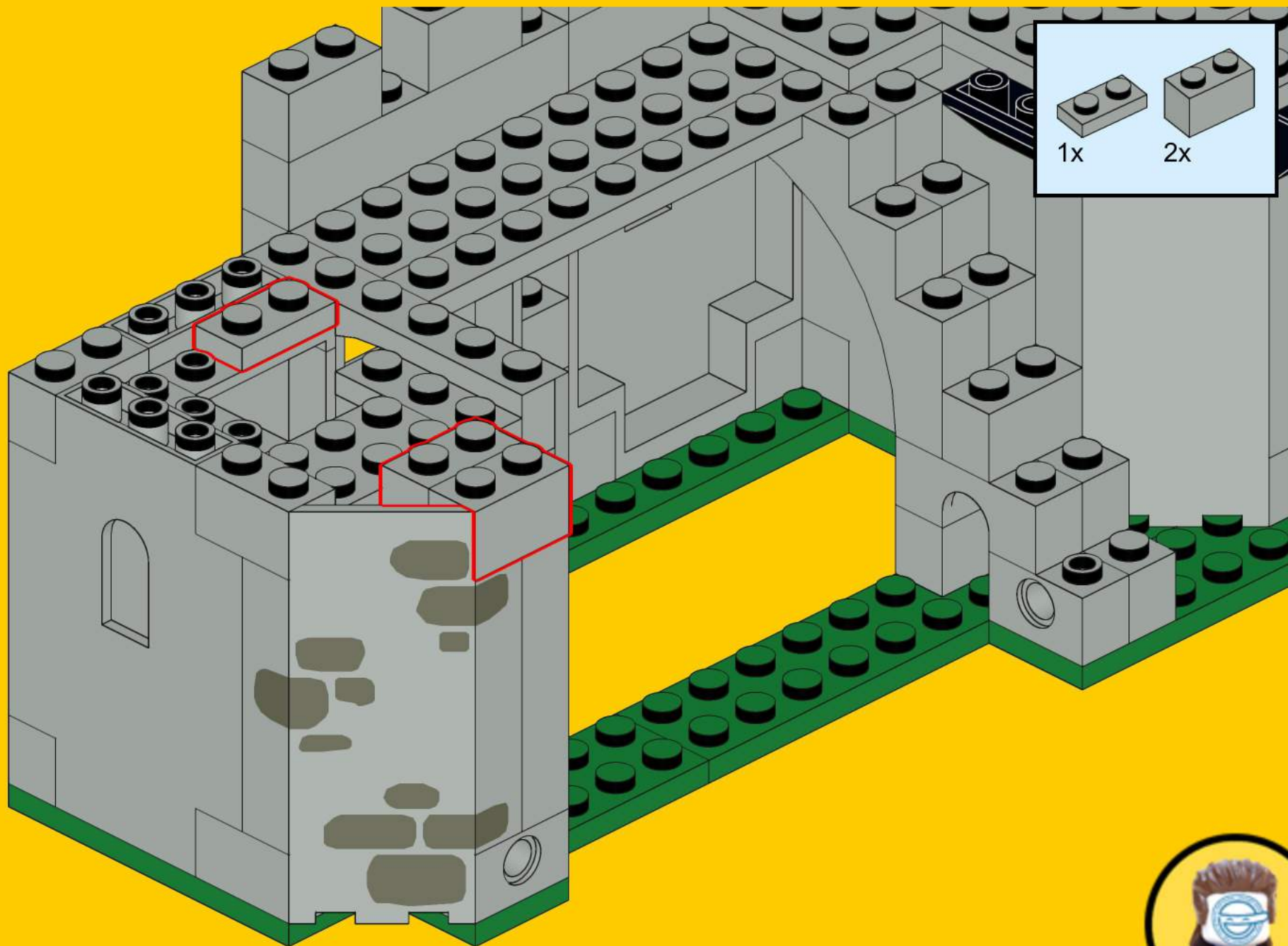


# 22

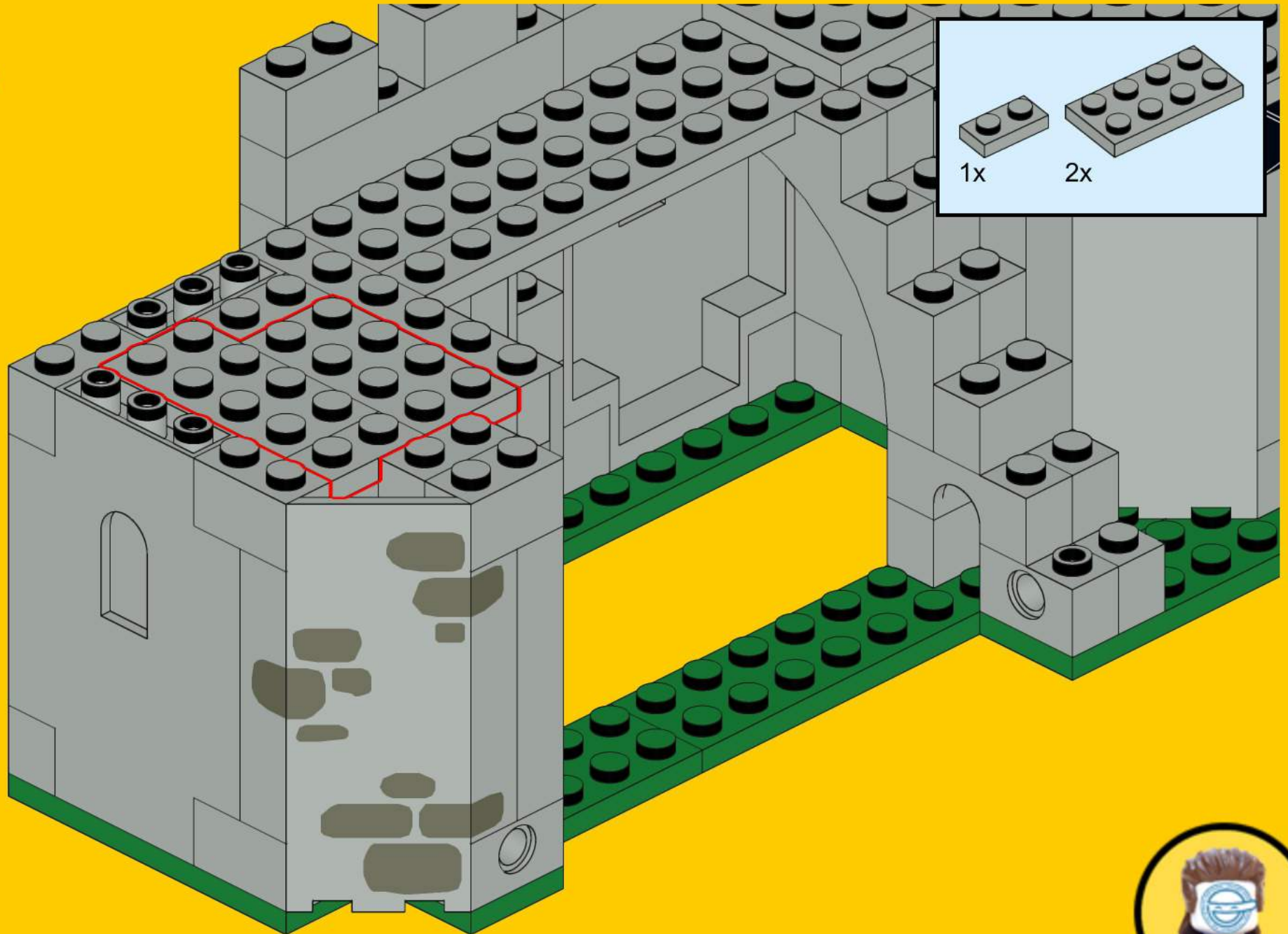




# 23

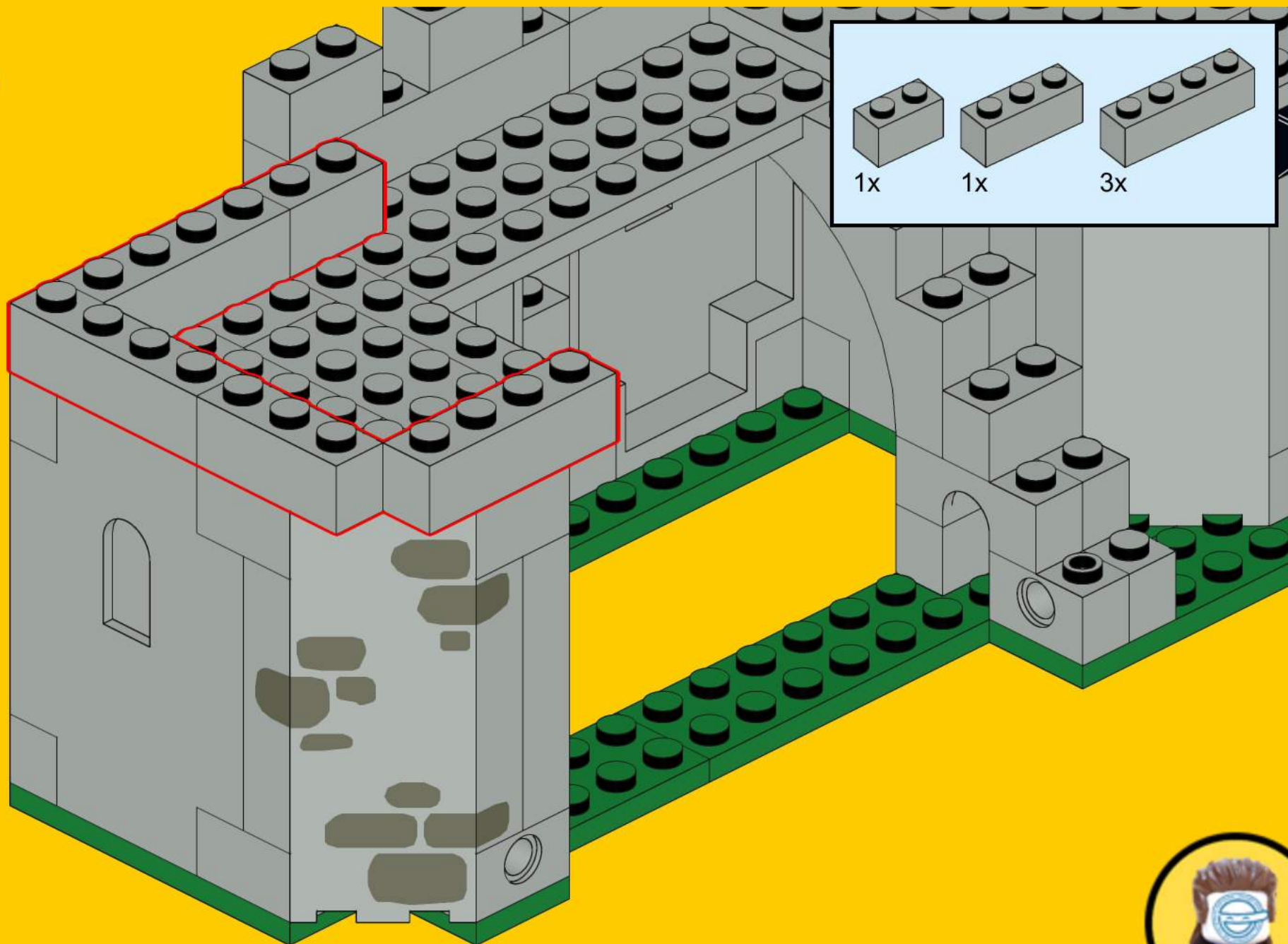


# 24



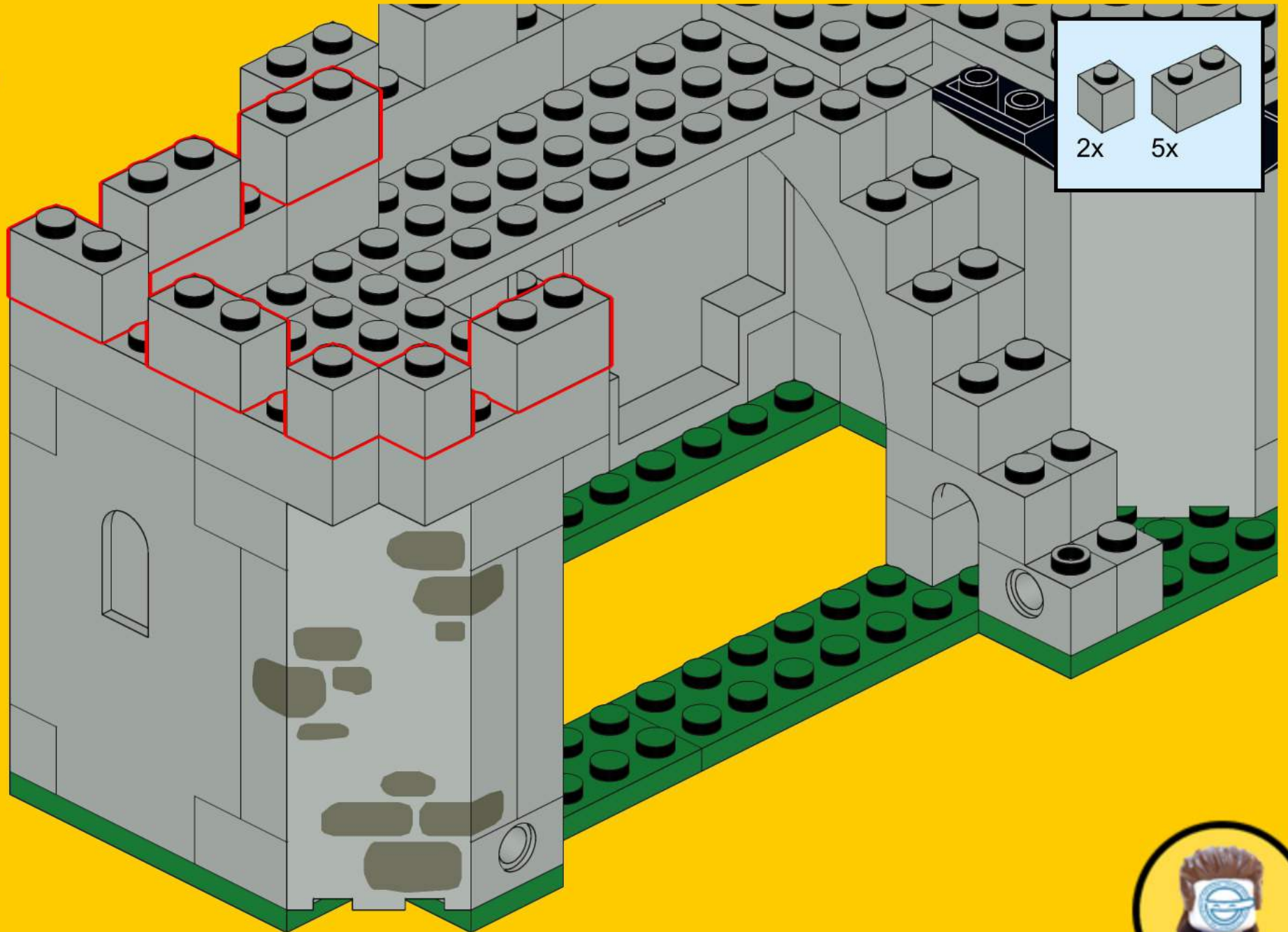


# 25

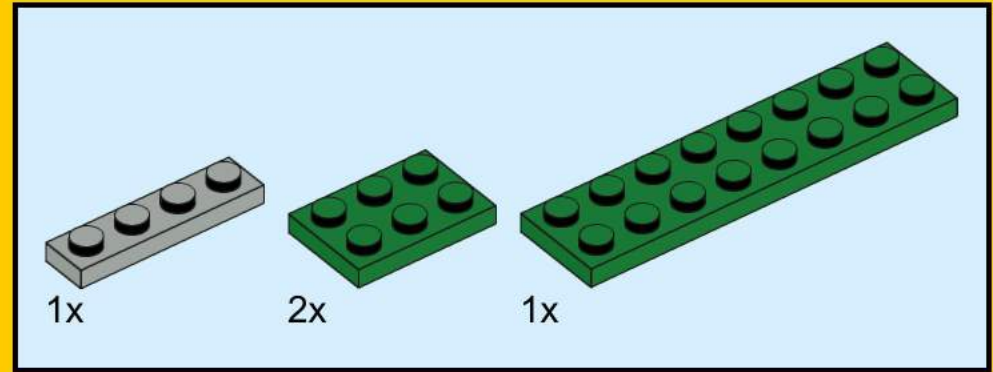
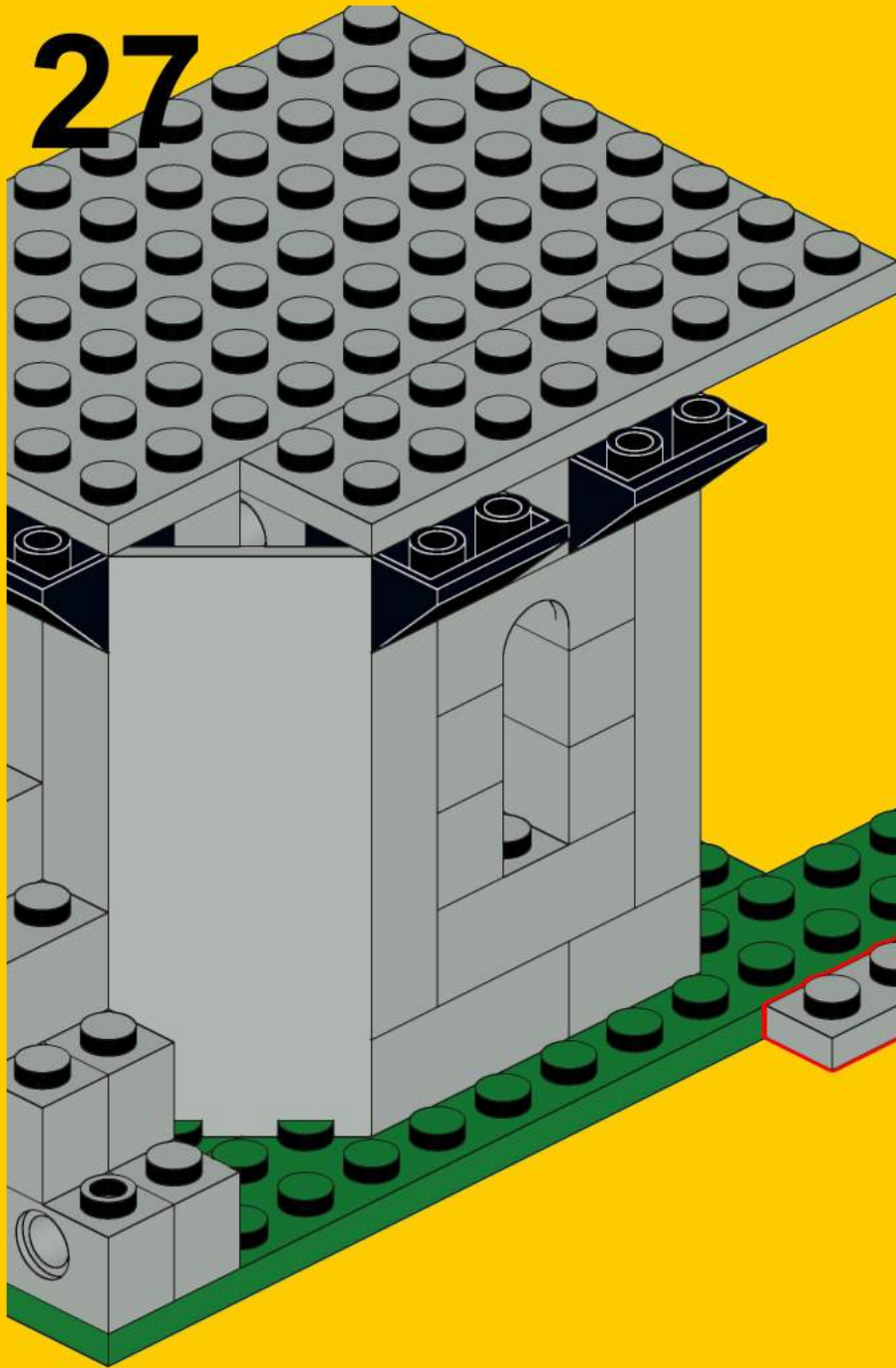




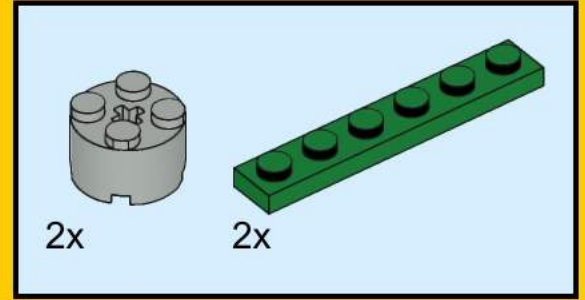
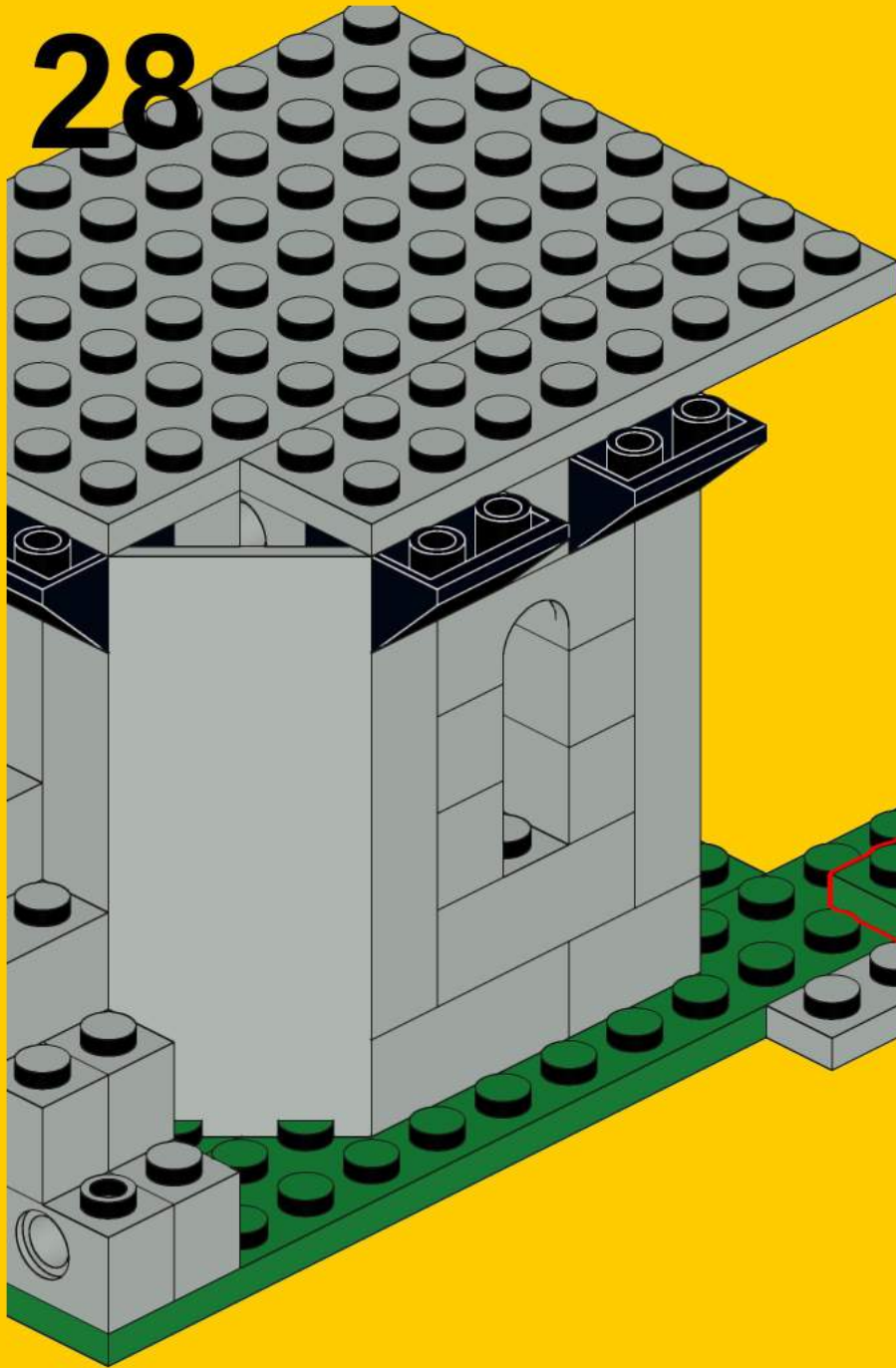
# 26



# 27

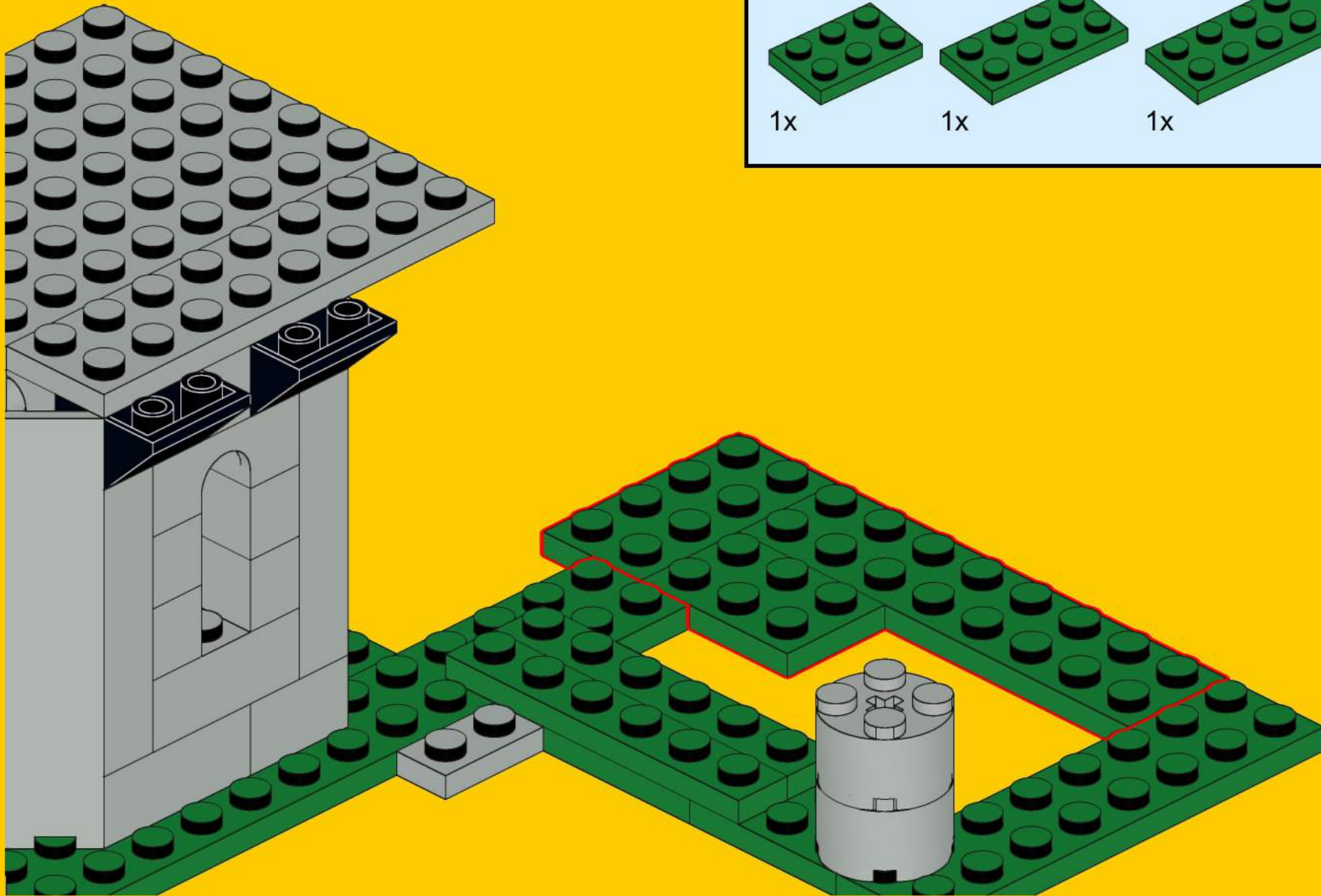
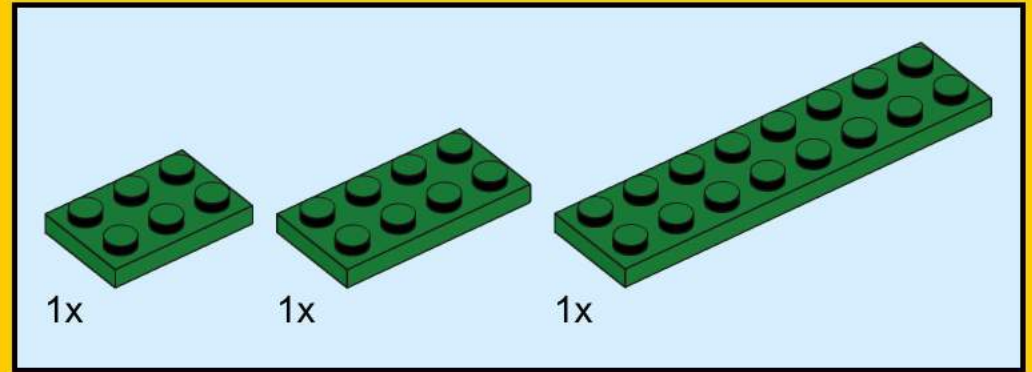


28

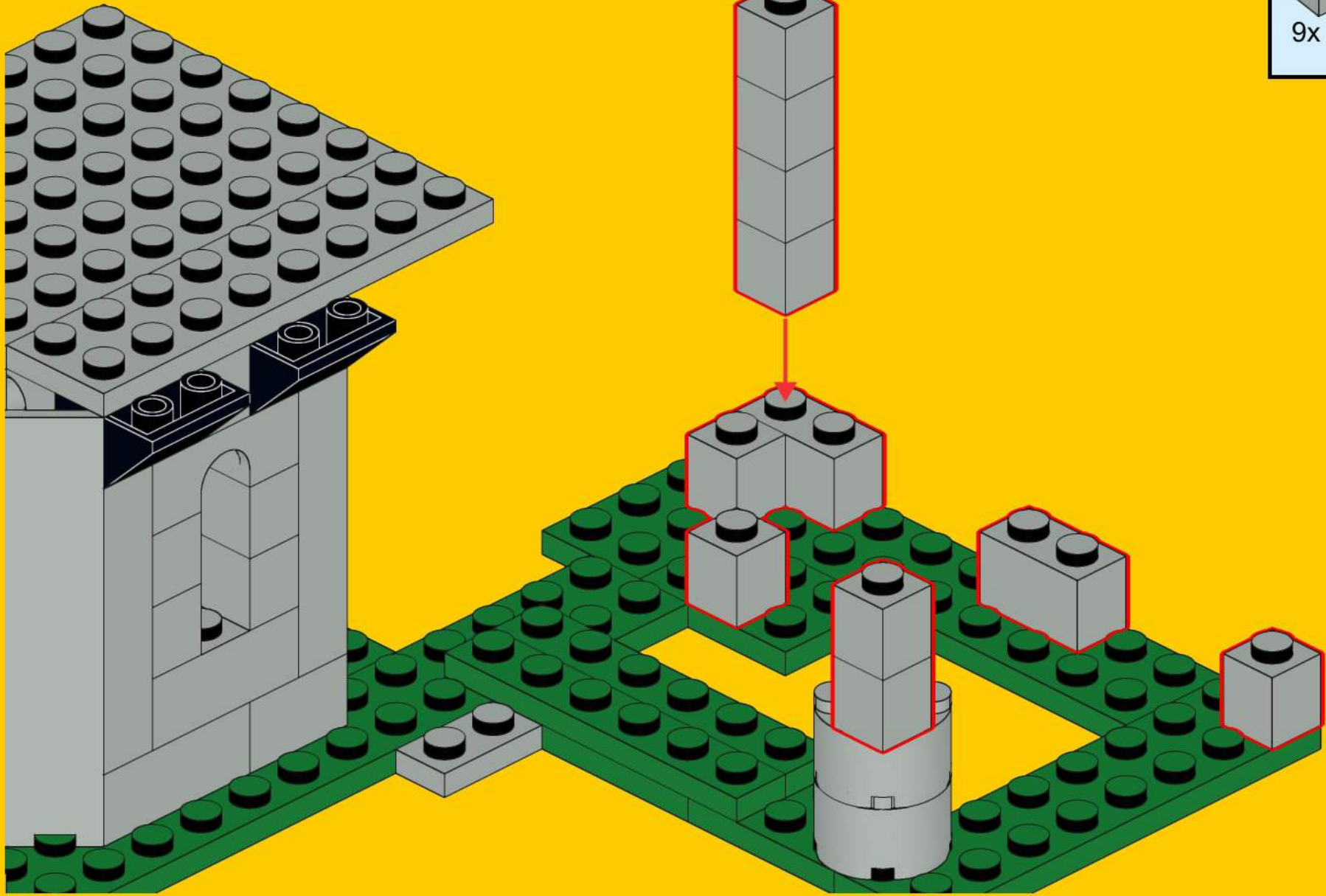




# 29



# 30

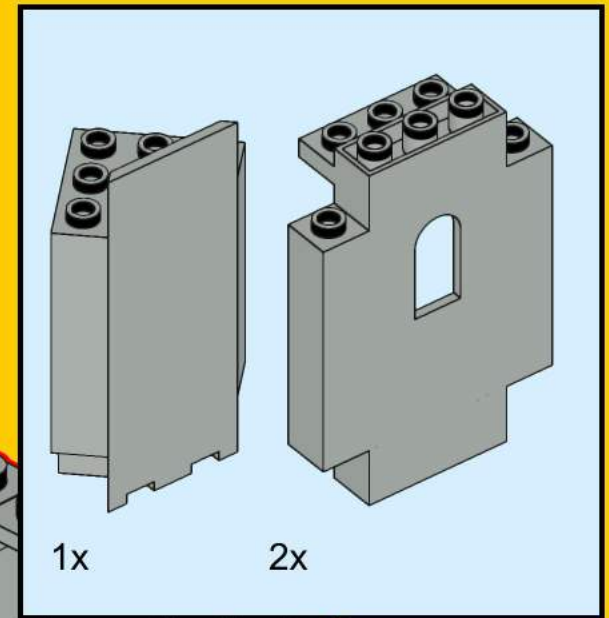
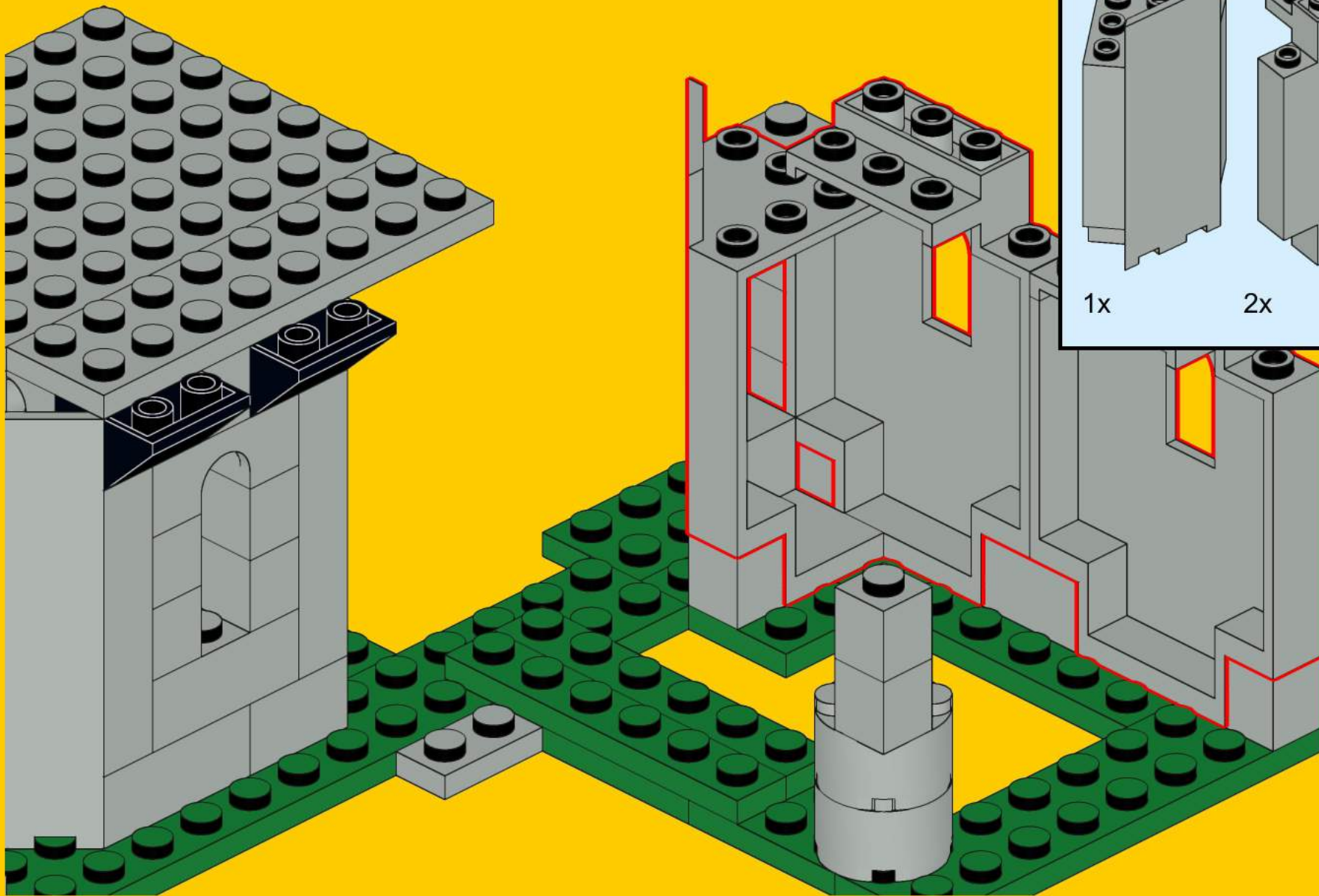


9x 2x



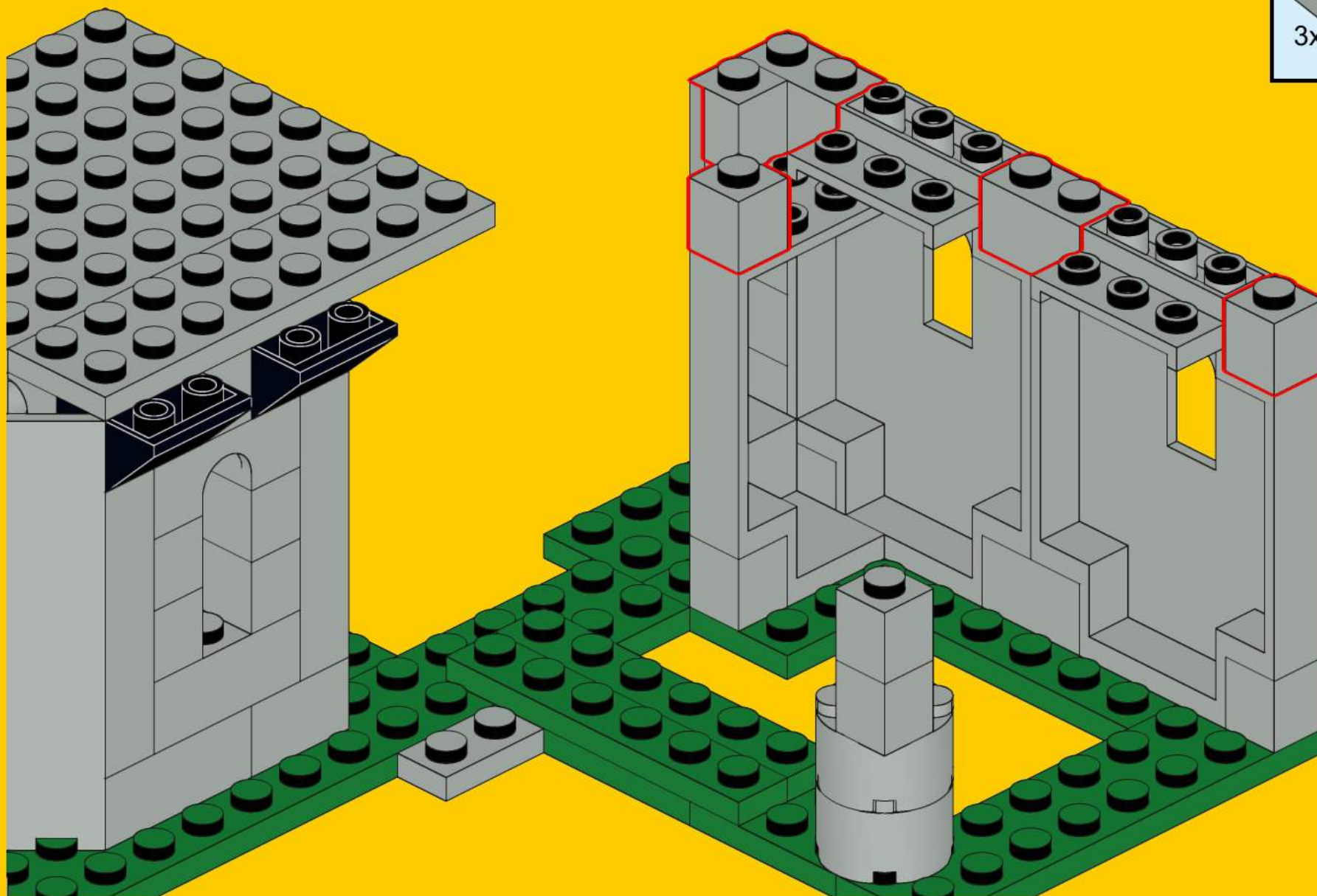
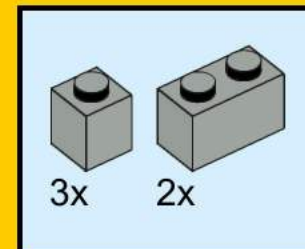


# 31

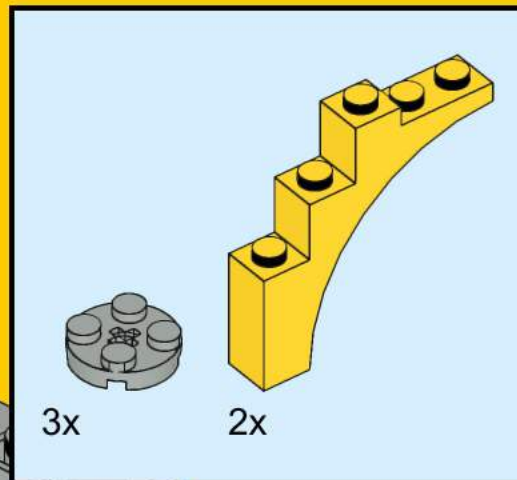
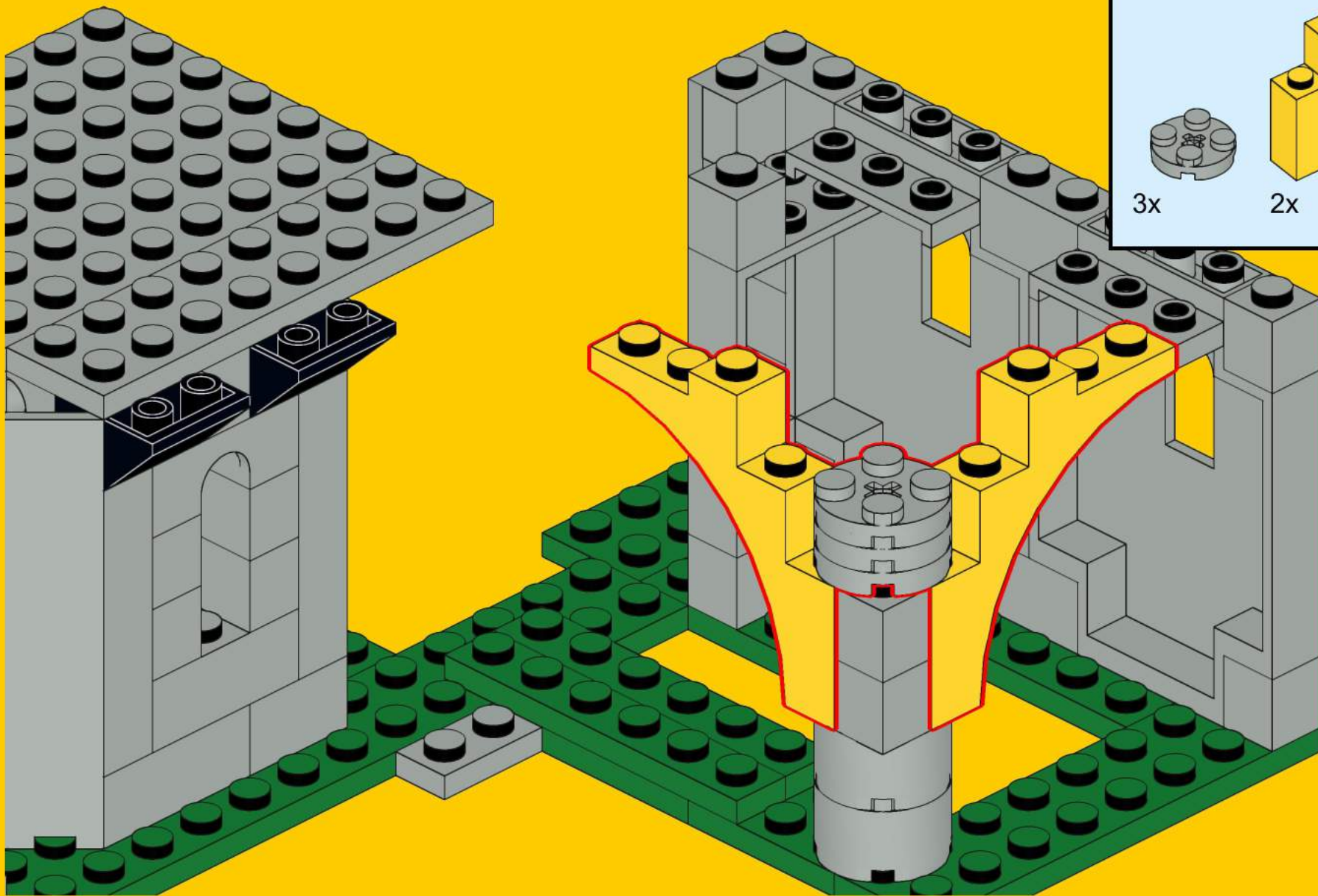




# 32

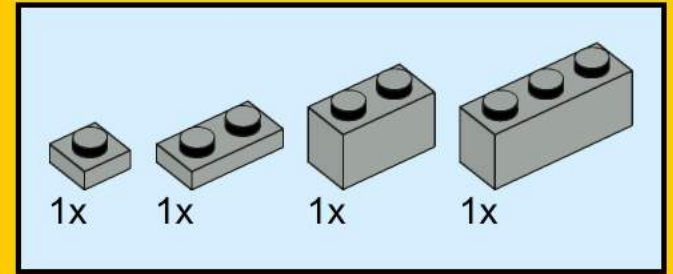
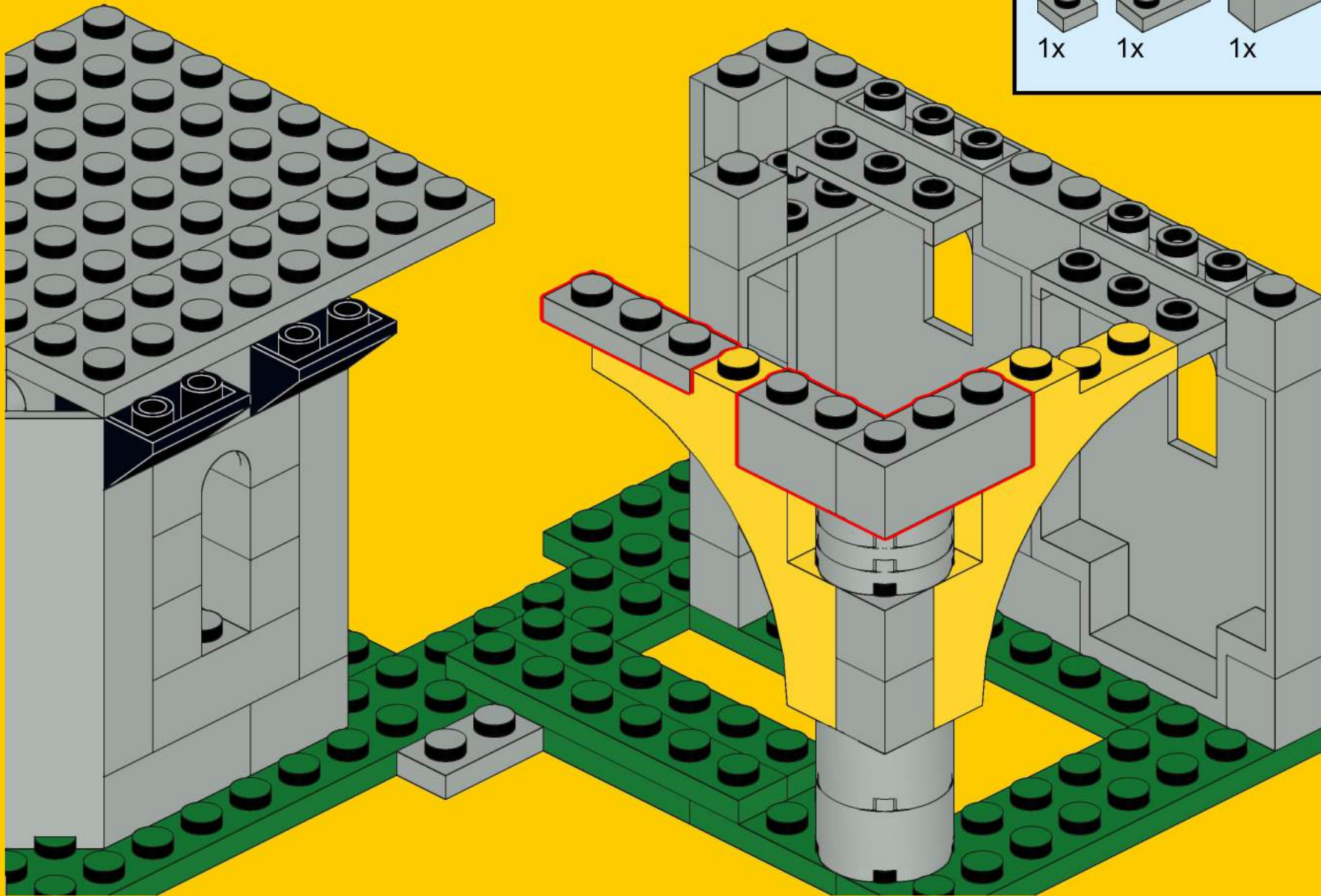


# 33



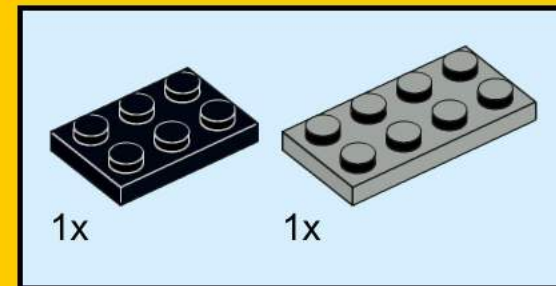
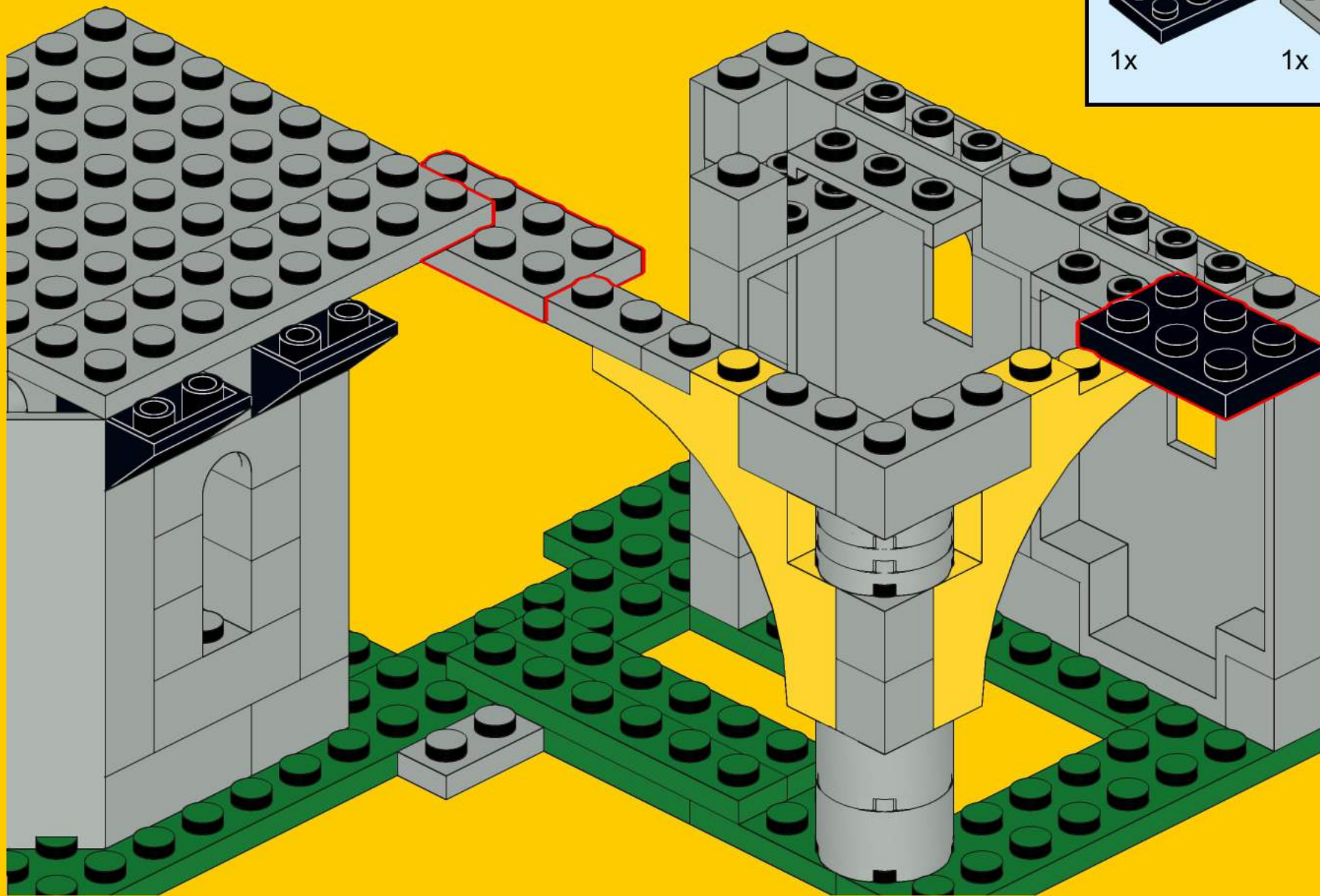


# 34

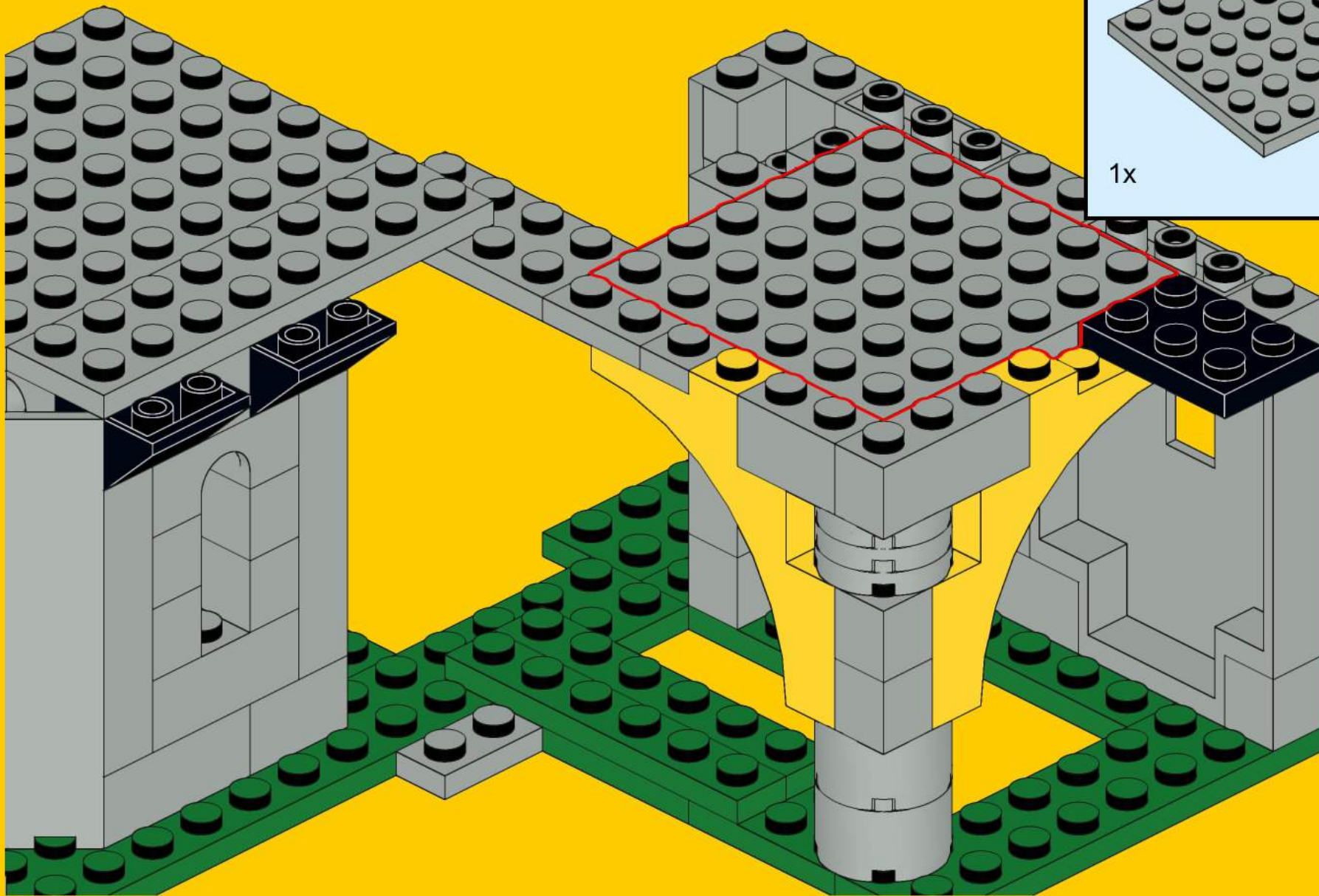




# 35

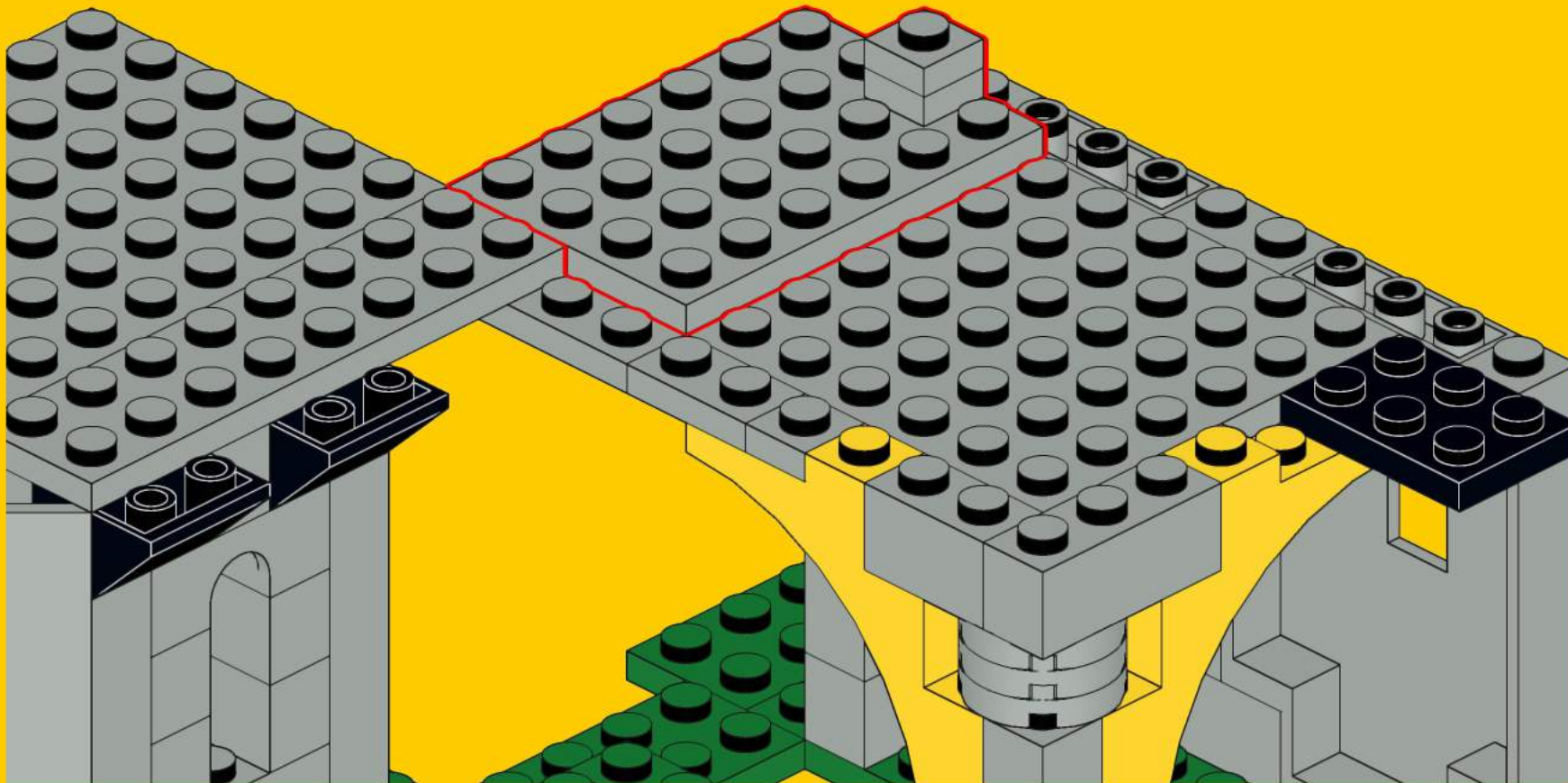
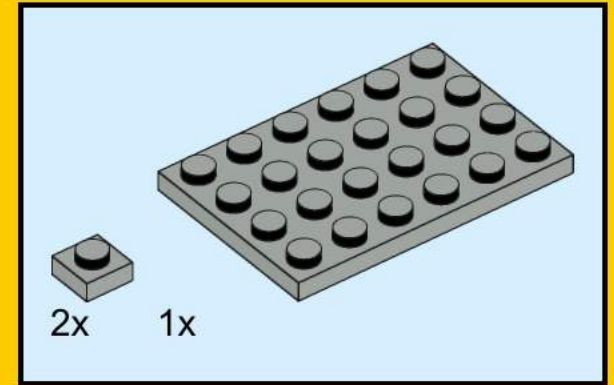
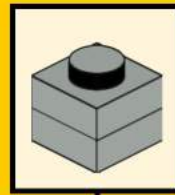


# 36



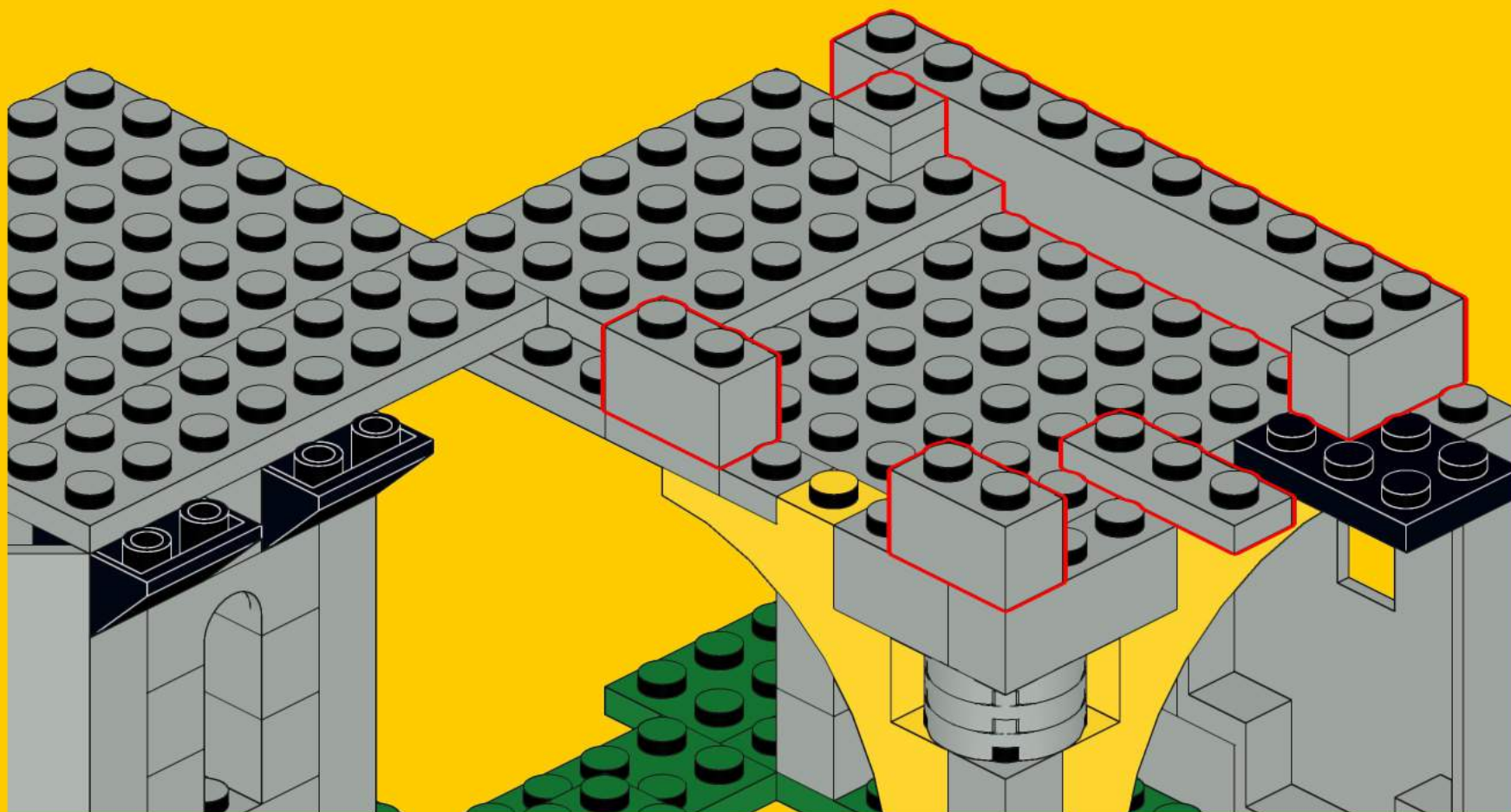
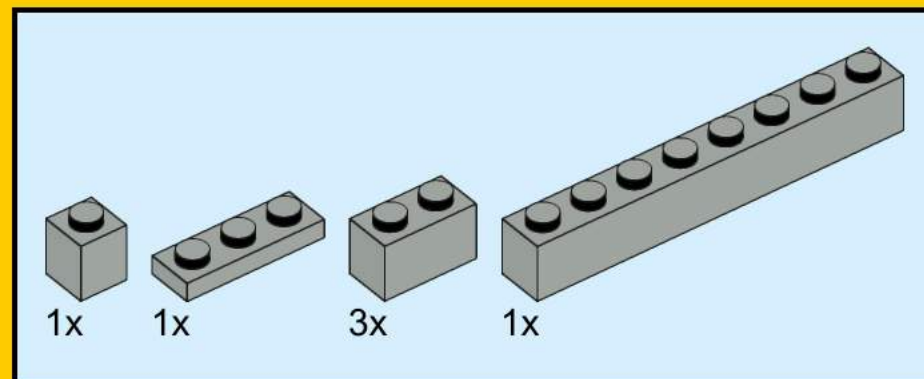


# 37

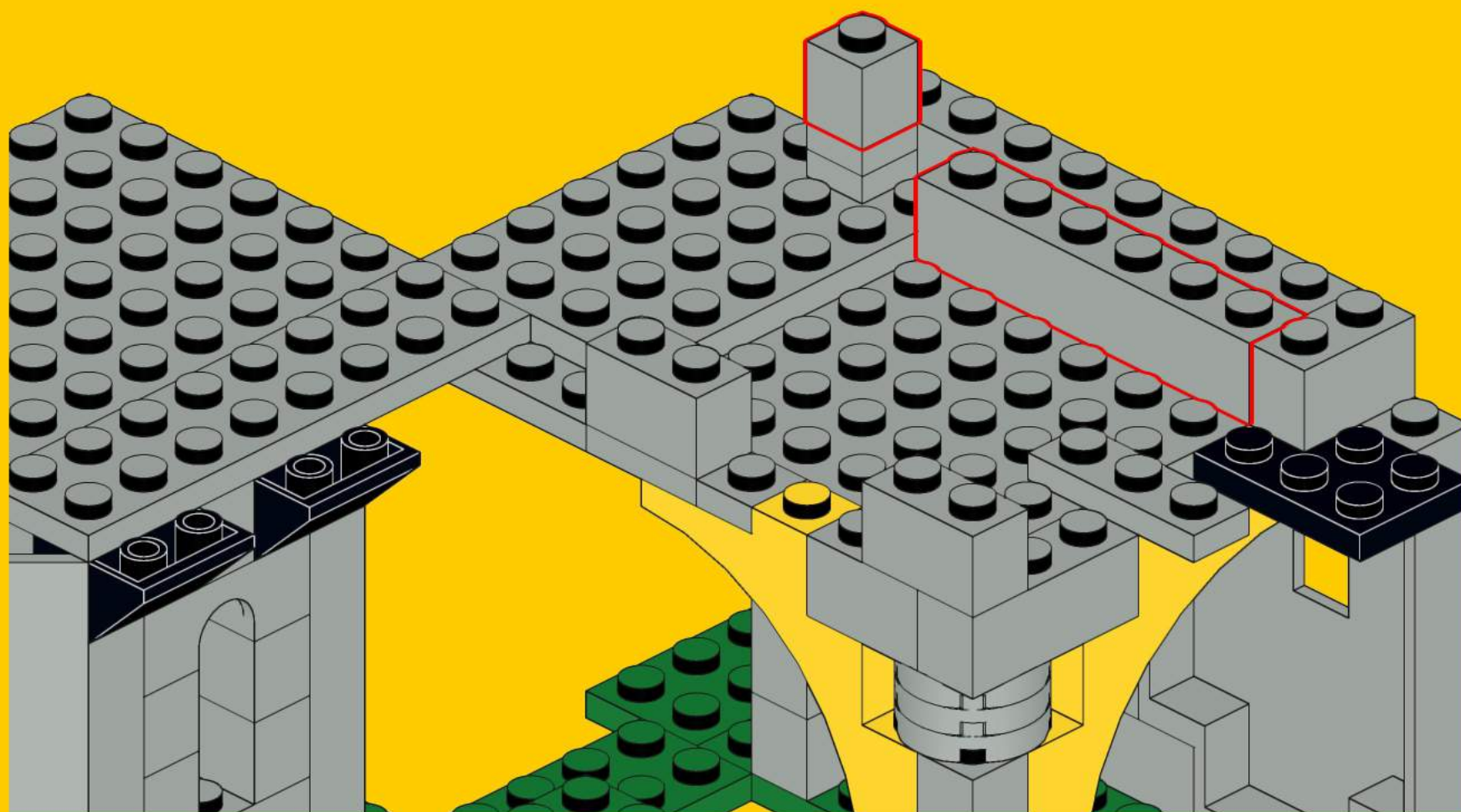
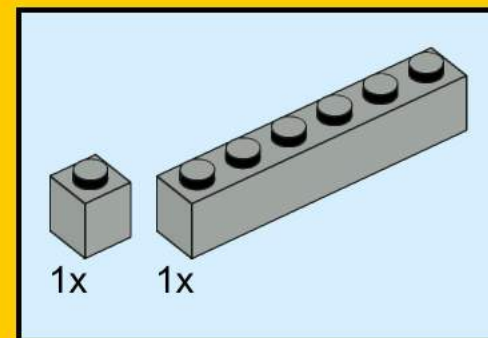




# 38

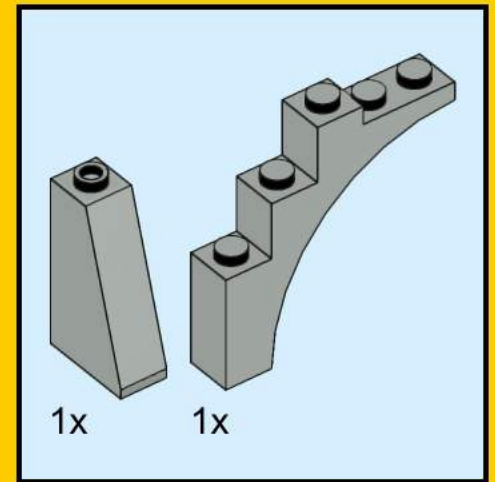
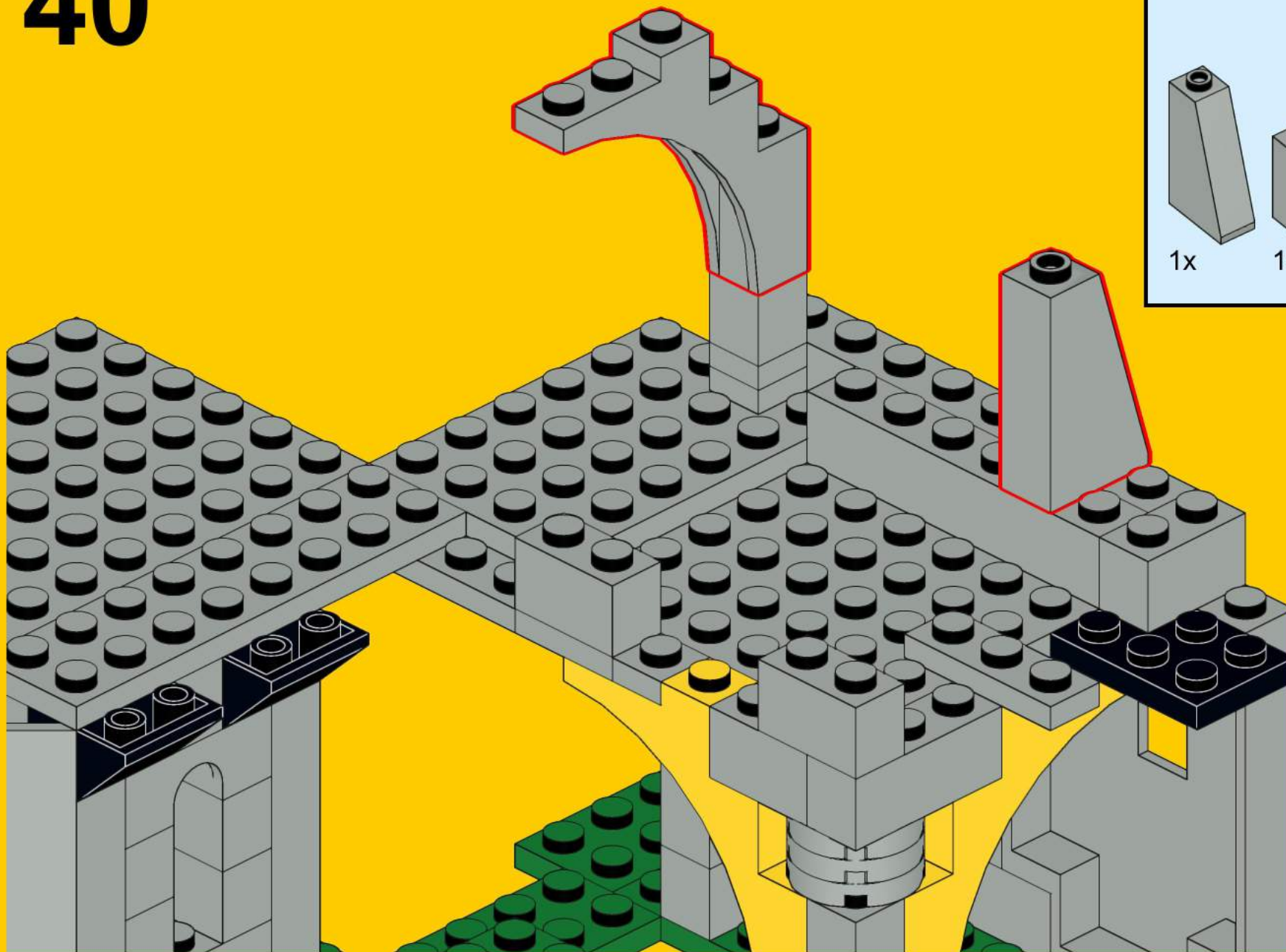


# 39



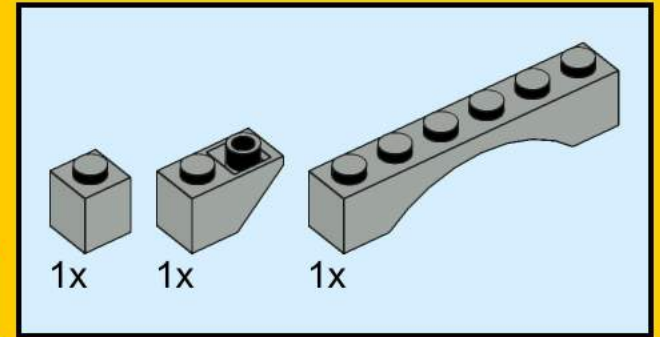
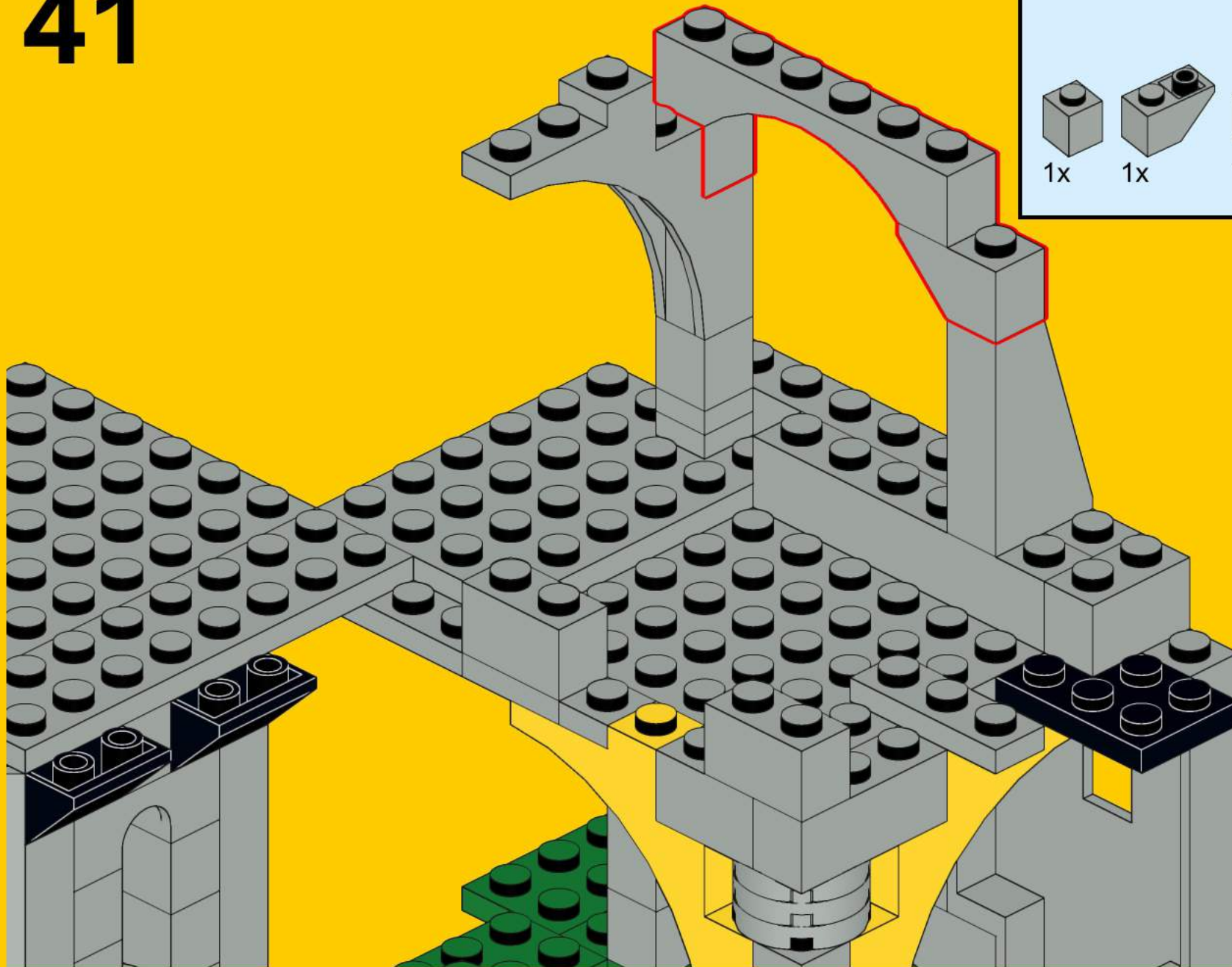


# 40

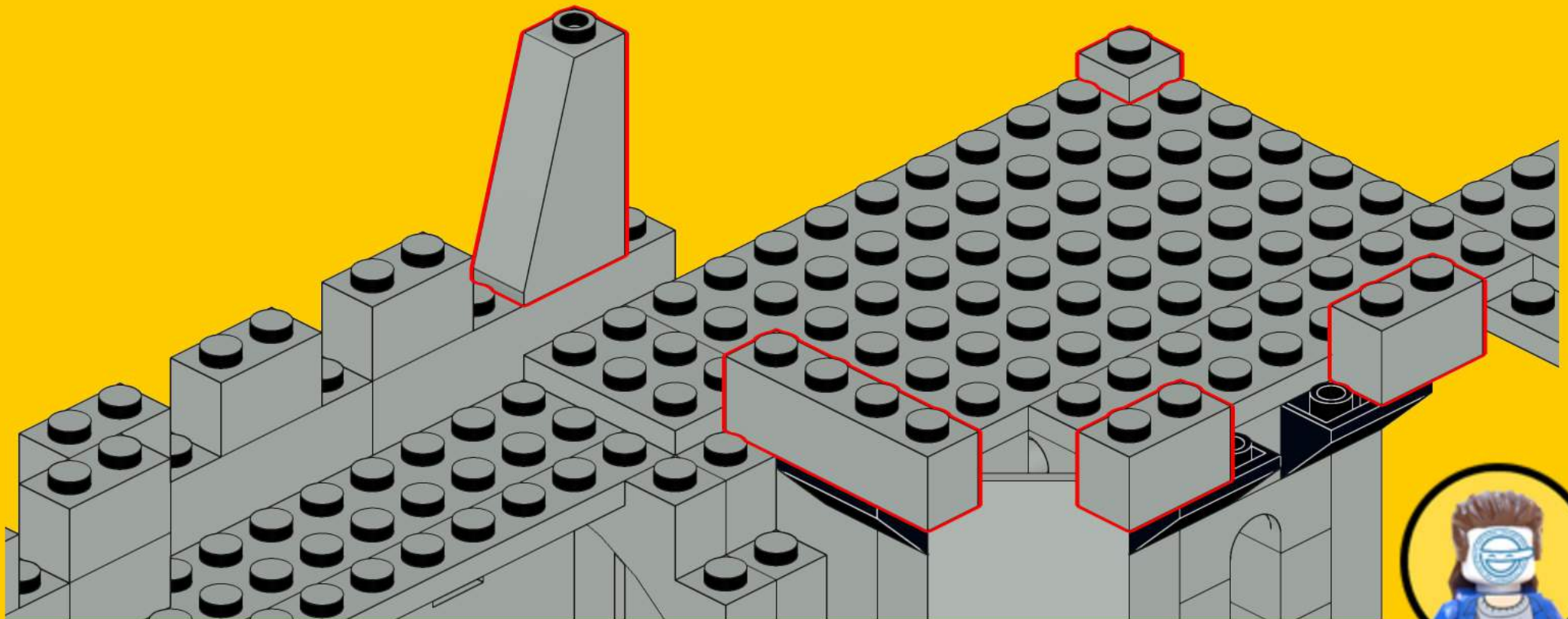
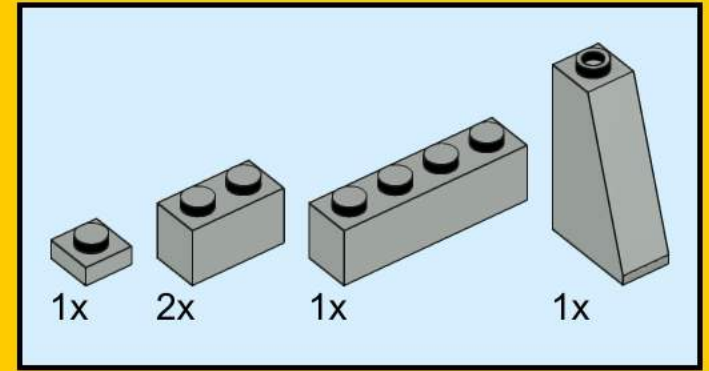




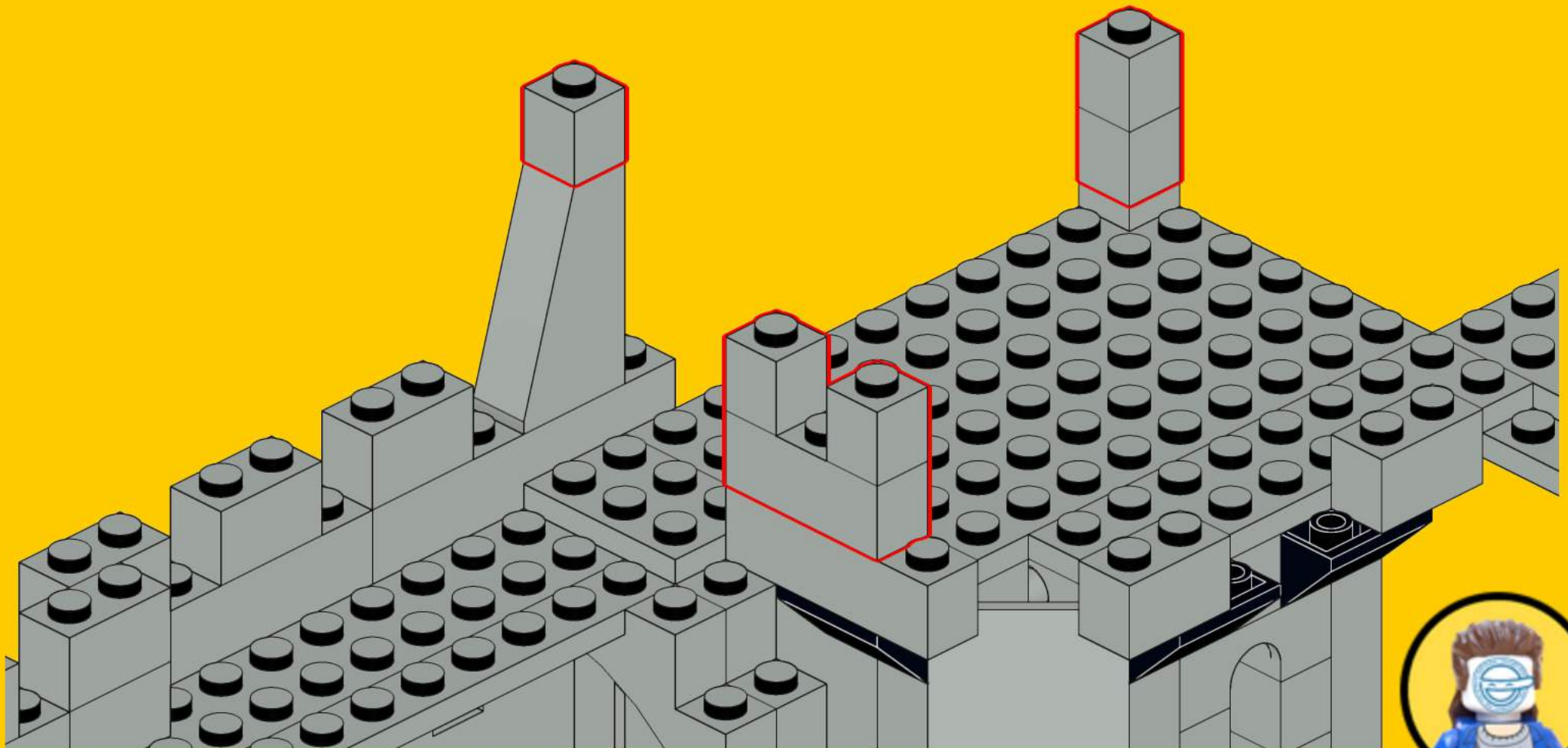
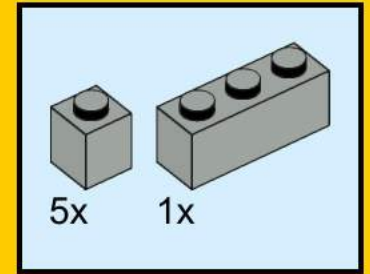
# 41



# 42

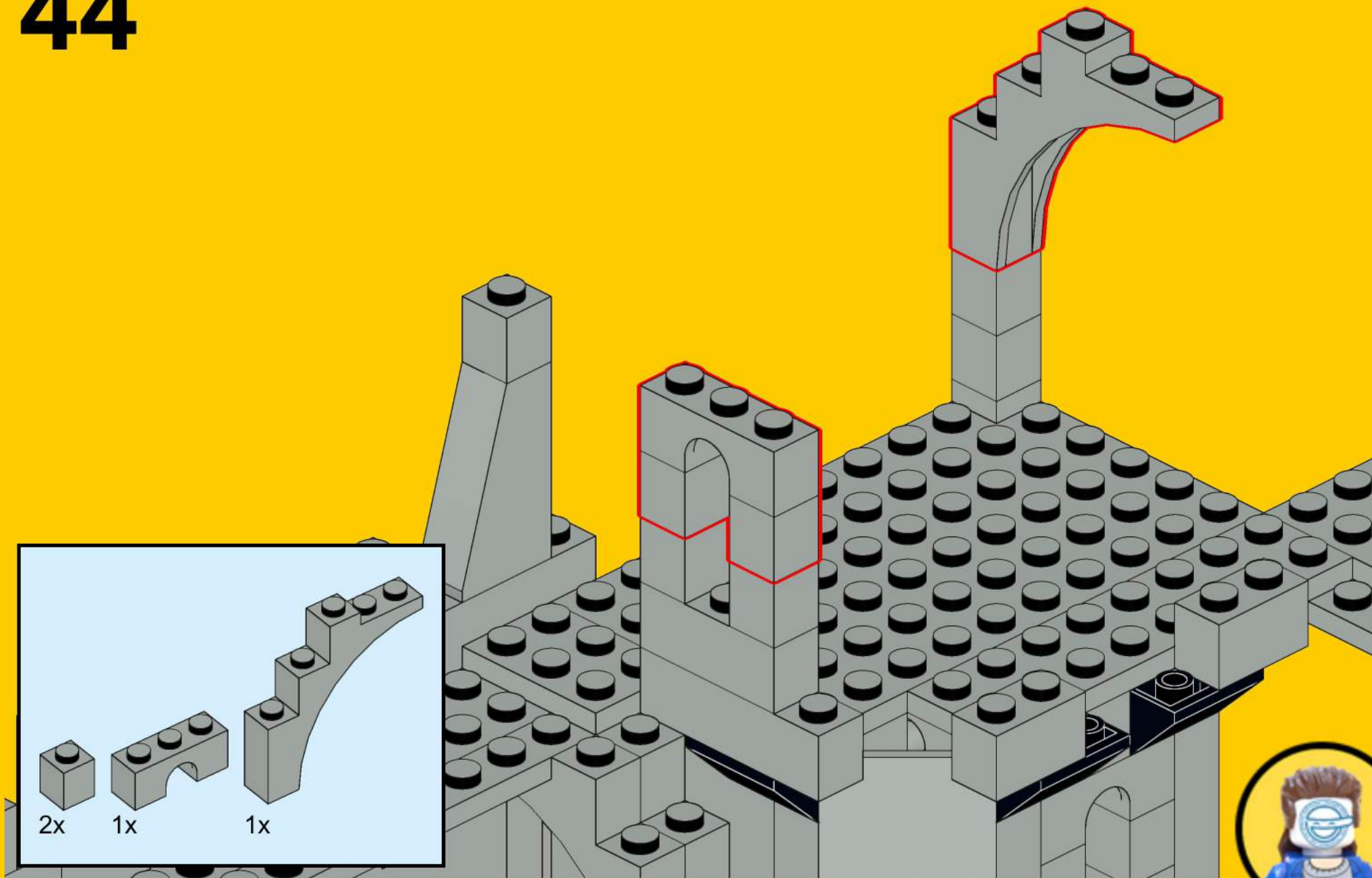


# 43

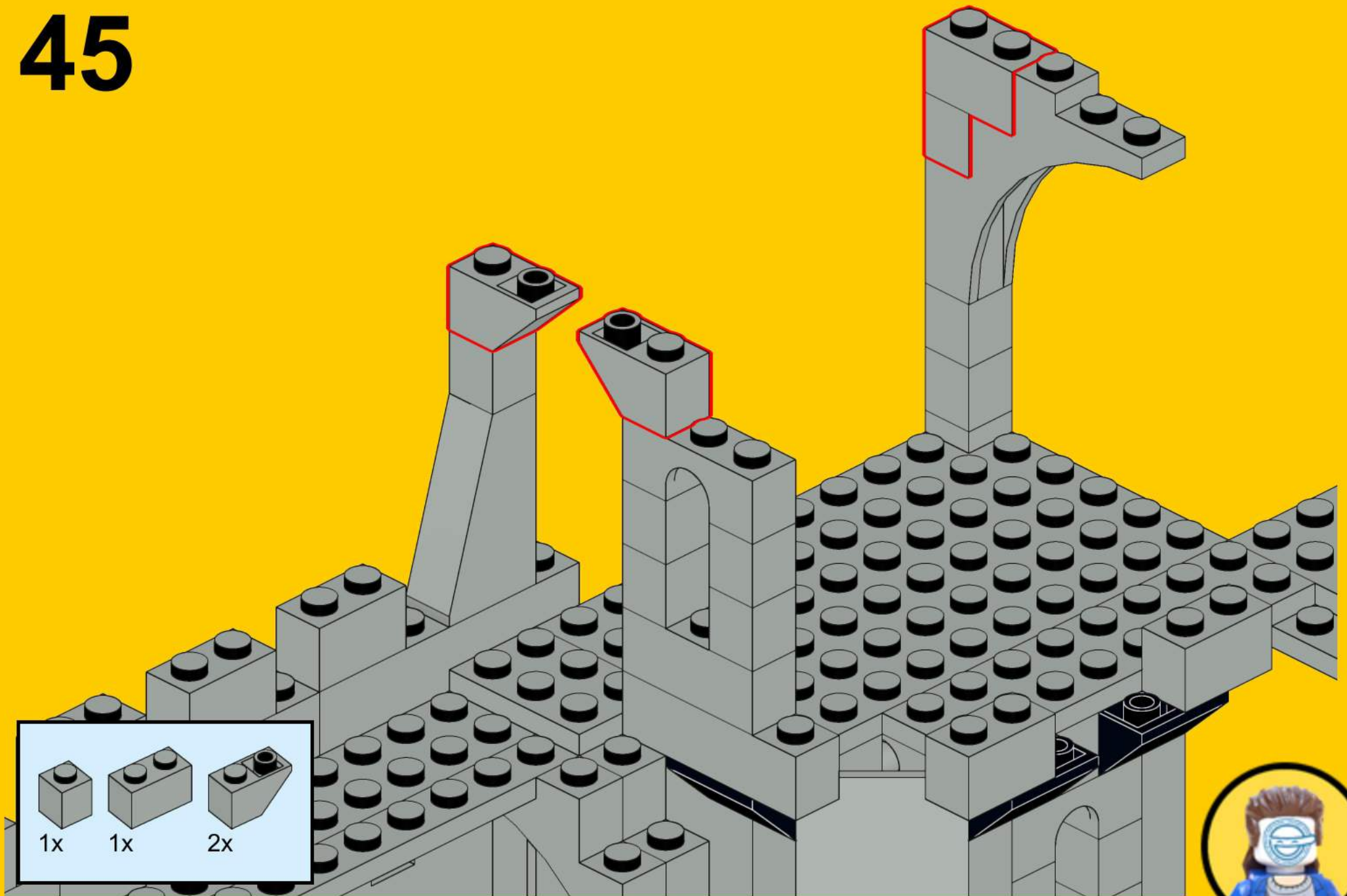




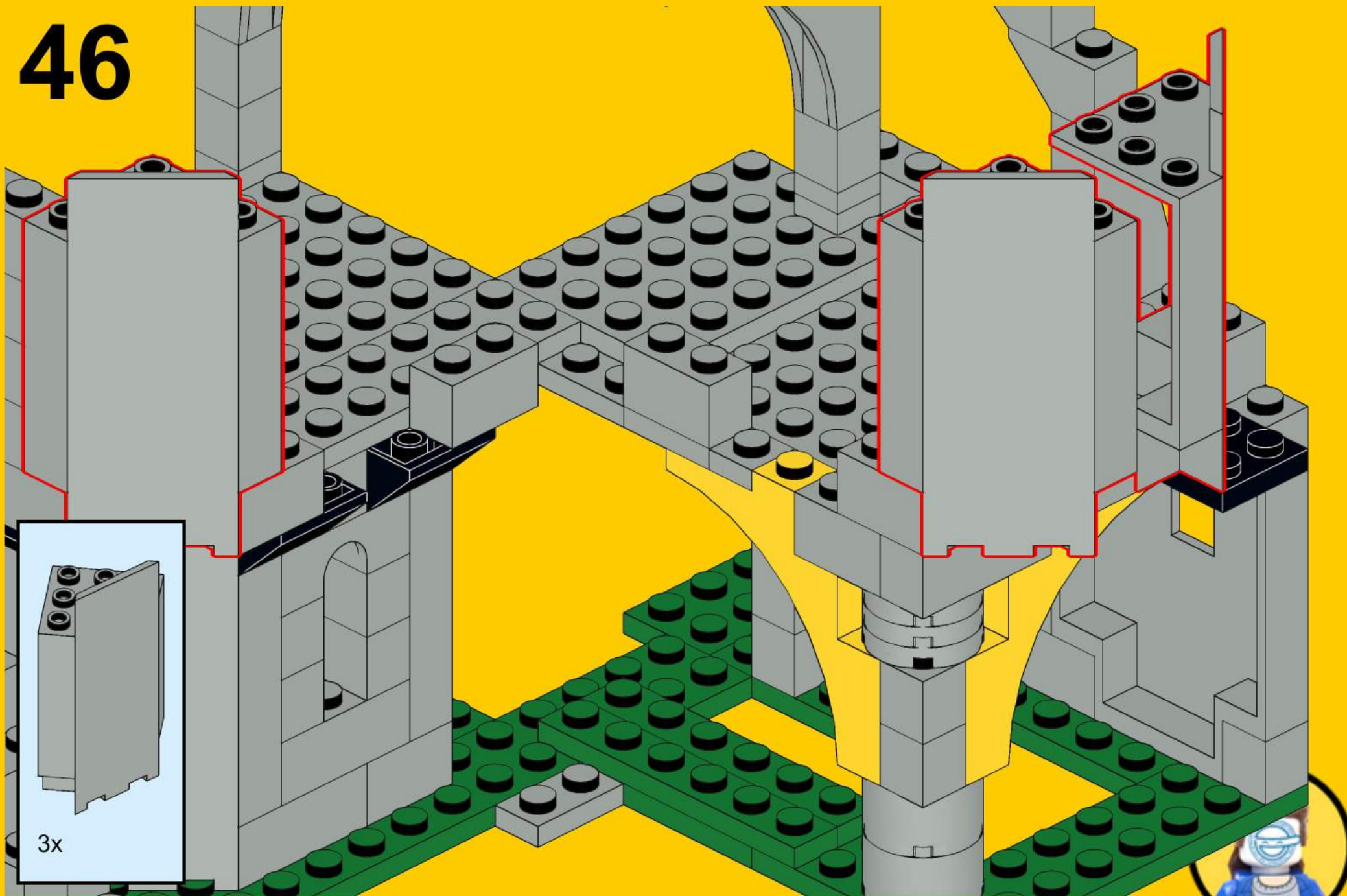
# 44



# 45

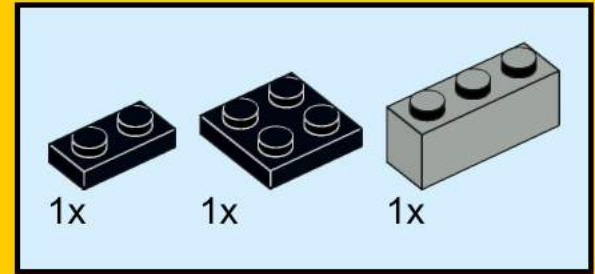
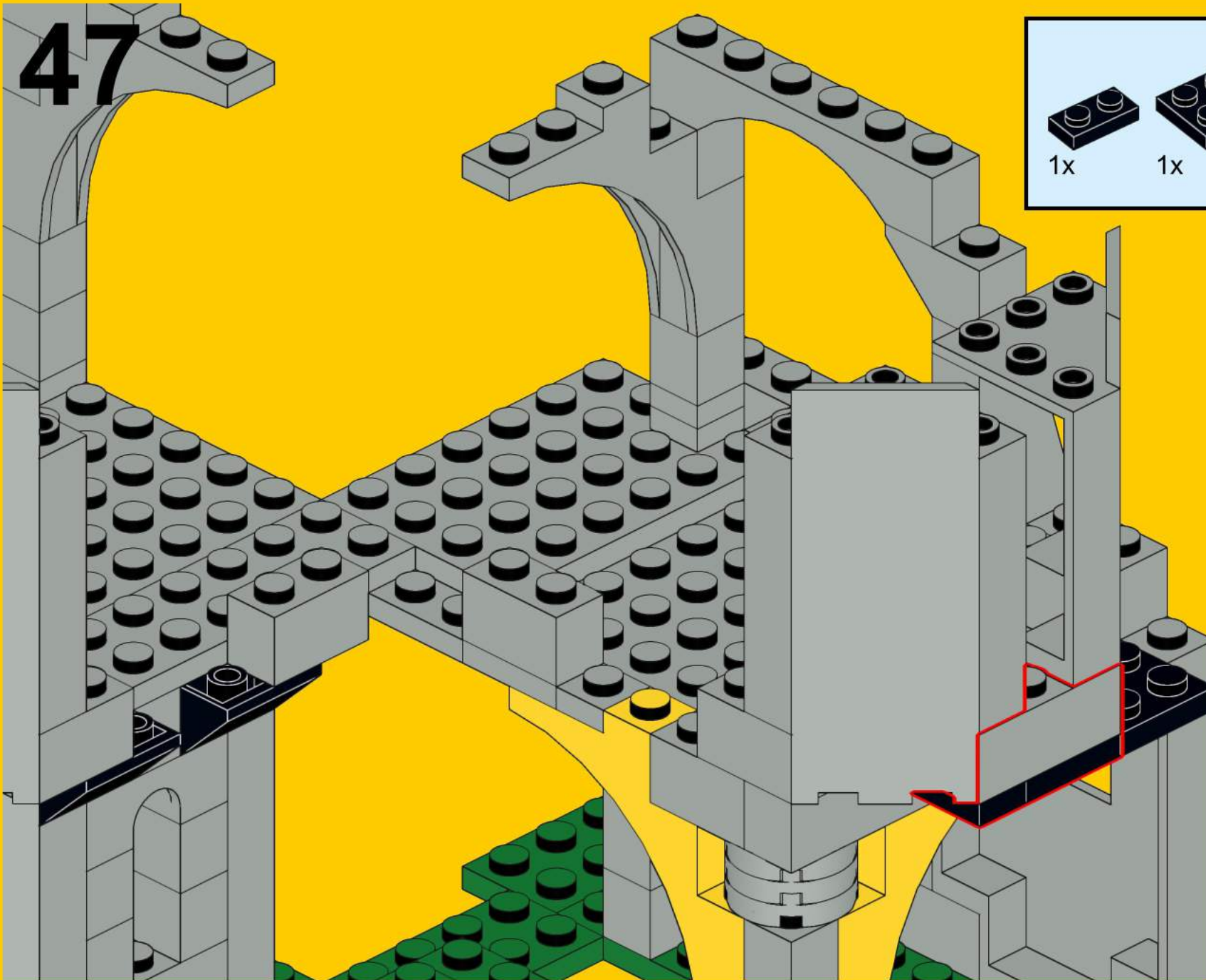


# 46

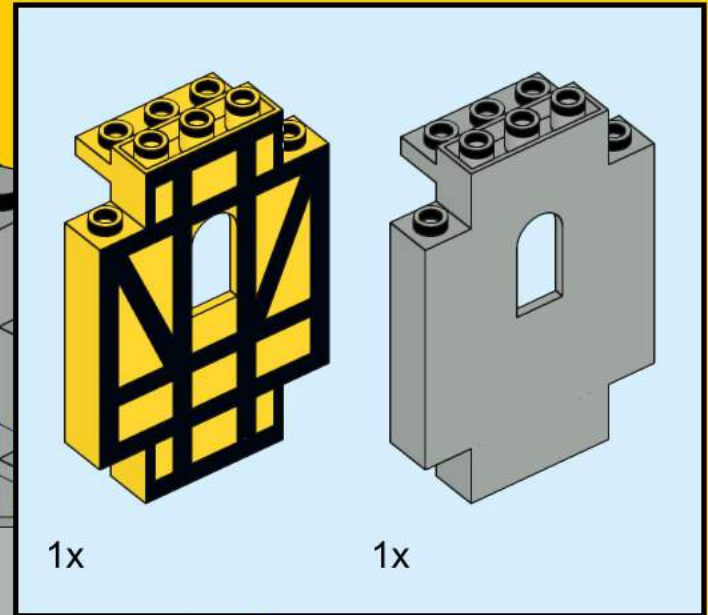
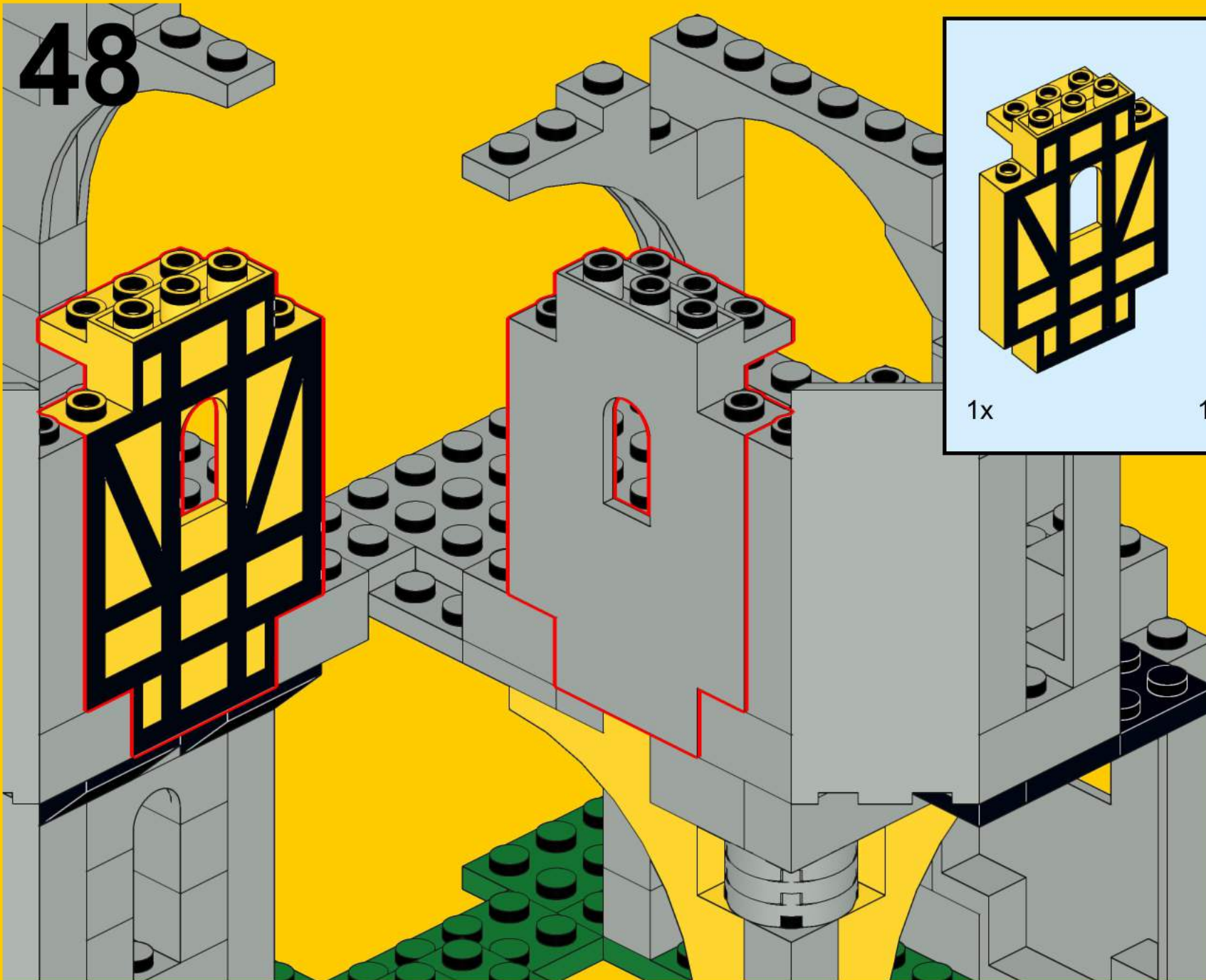




47

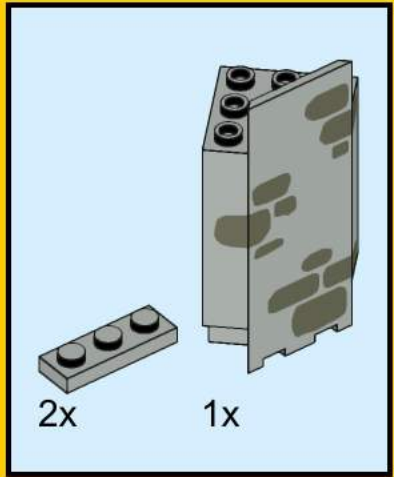
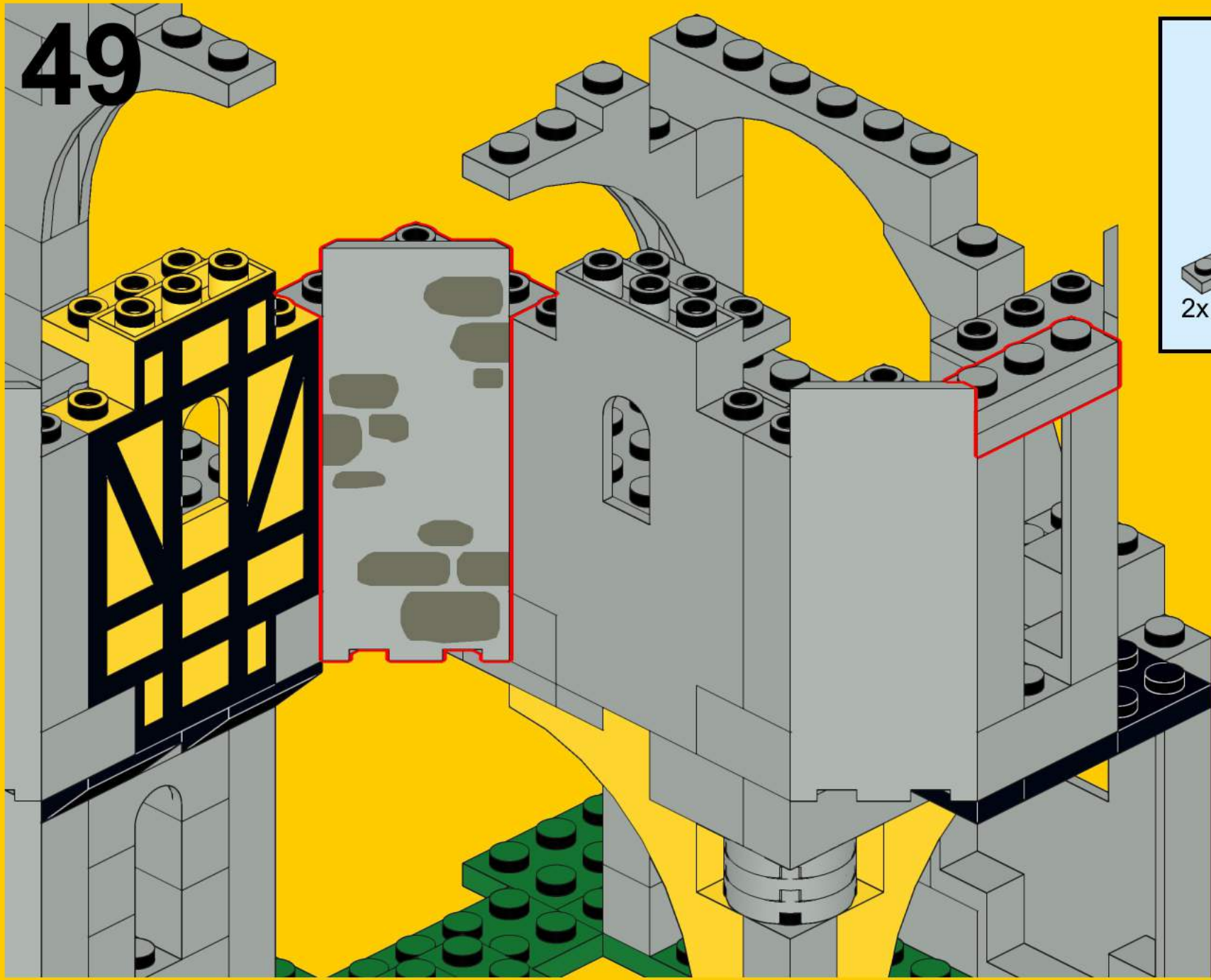


48



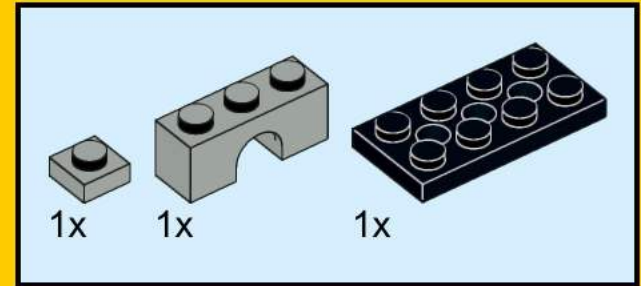
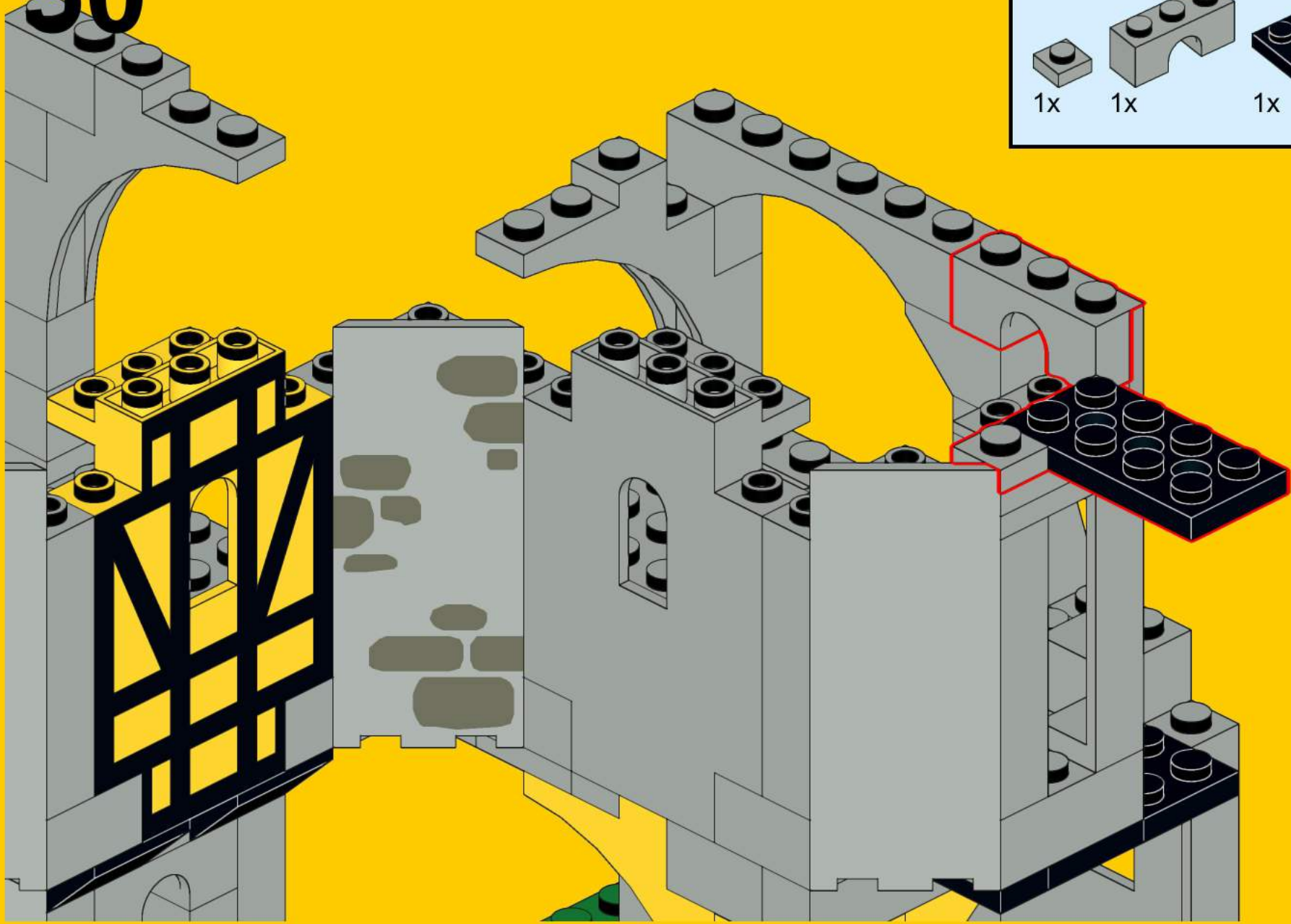


49





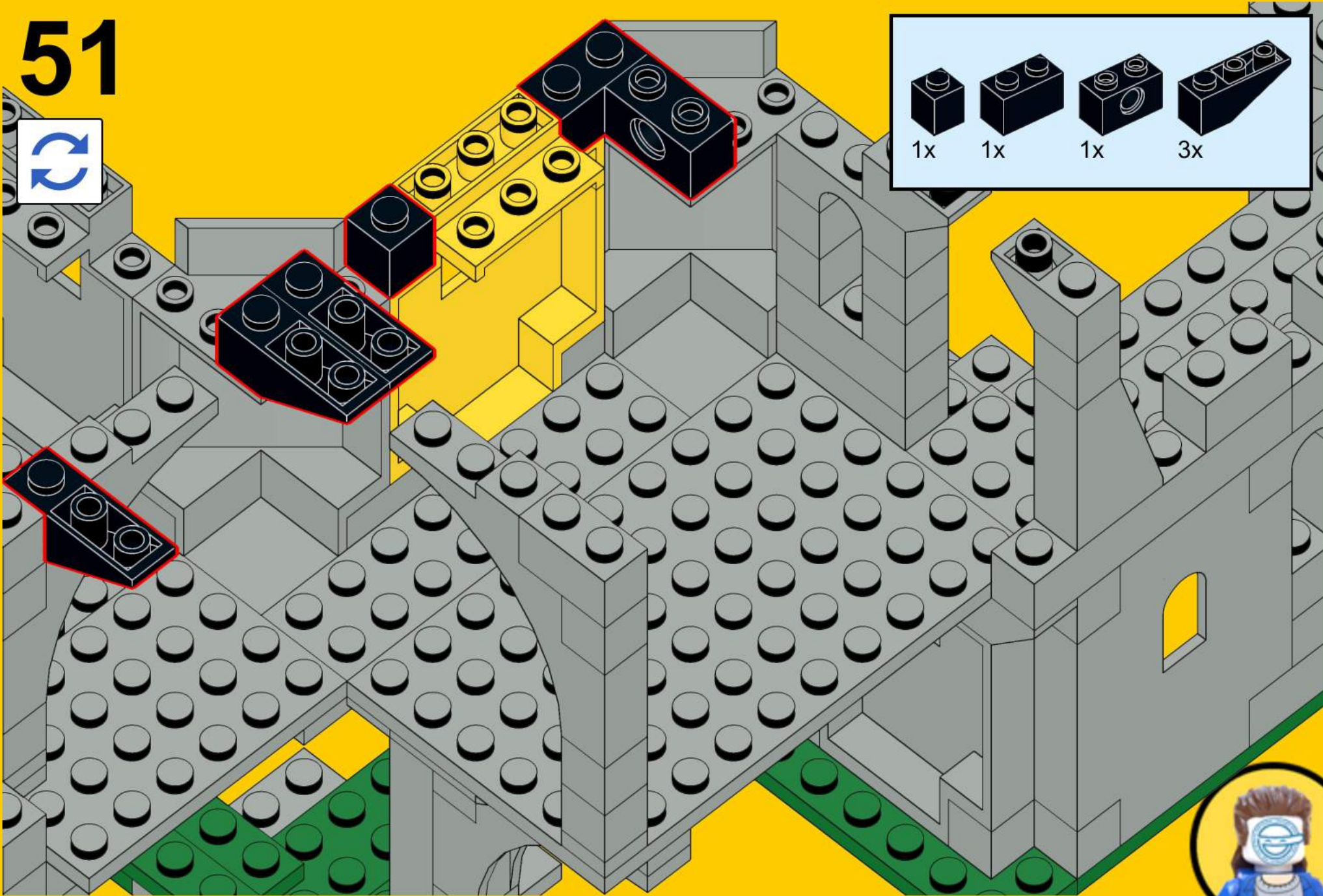
50



# 51

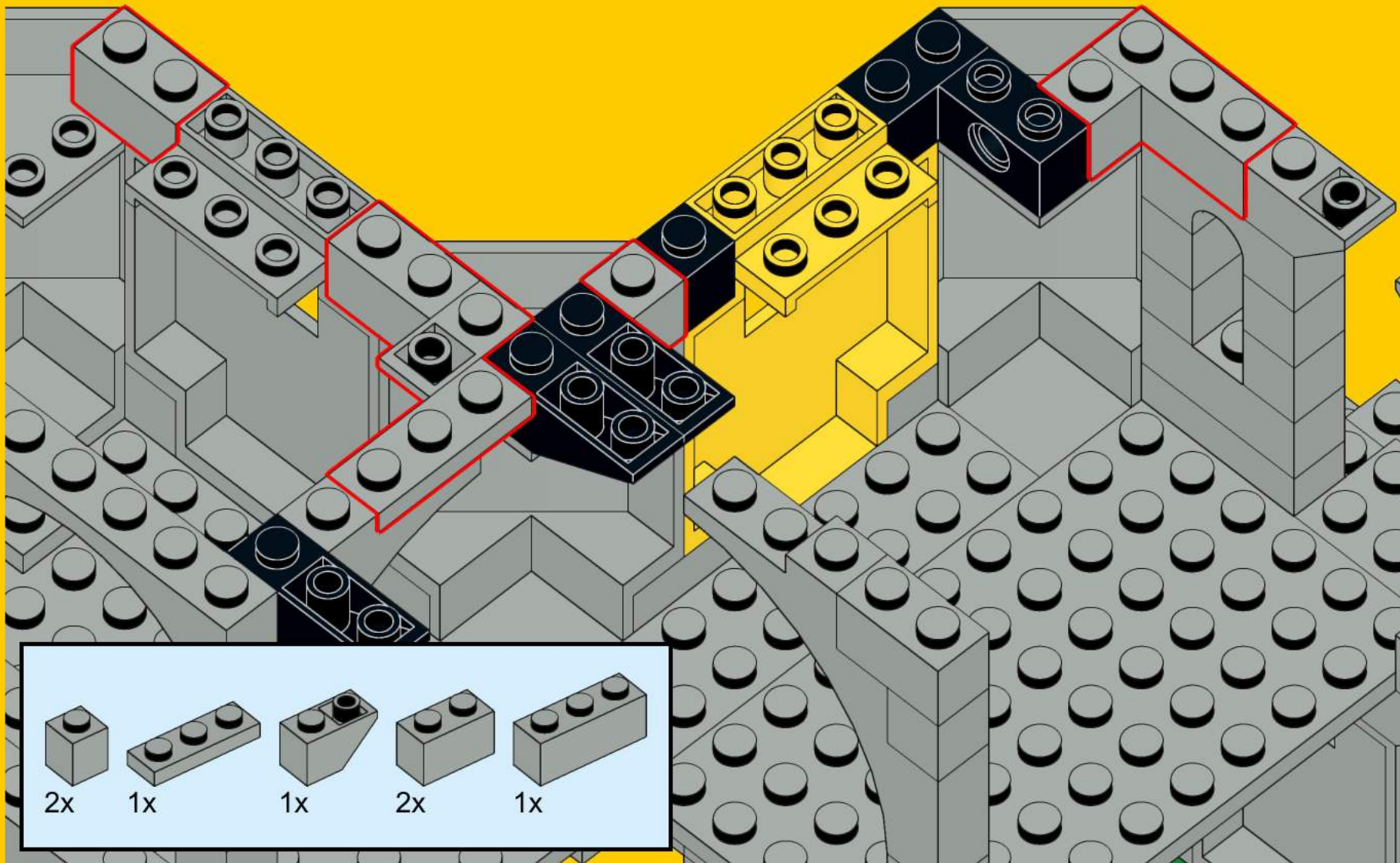


1x 1x 1x 3x

A diagram showing four black LEGO parts with their respective quantities: a 1x1 brick, a 1x2 brick, a 1x3 brick, and a 1x4 brick. The quantities are listed below each part: 1x, 1x, 1x, and 3x.

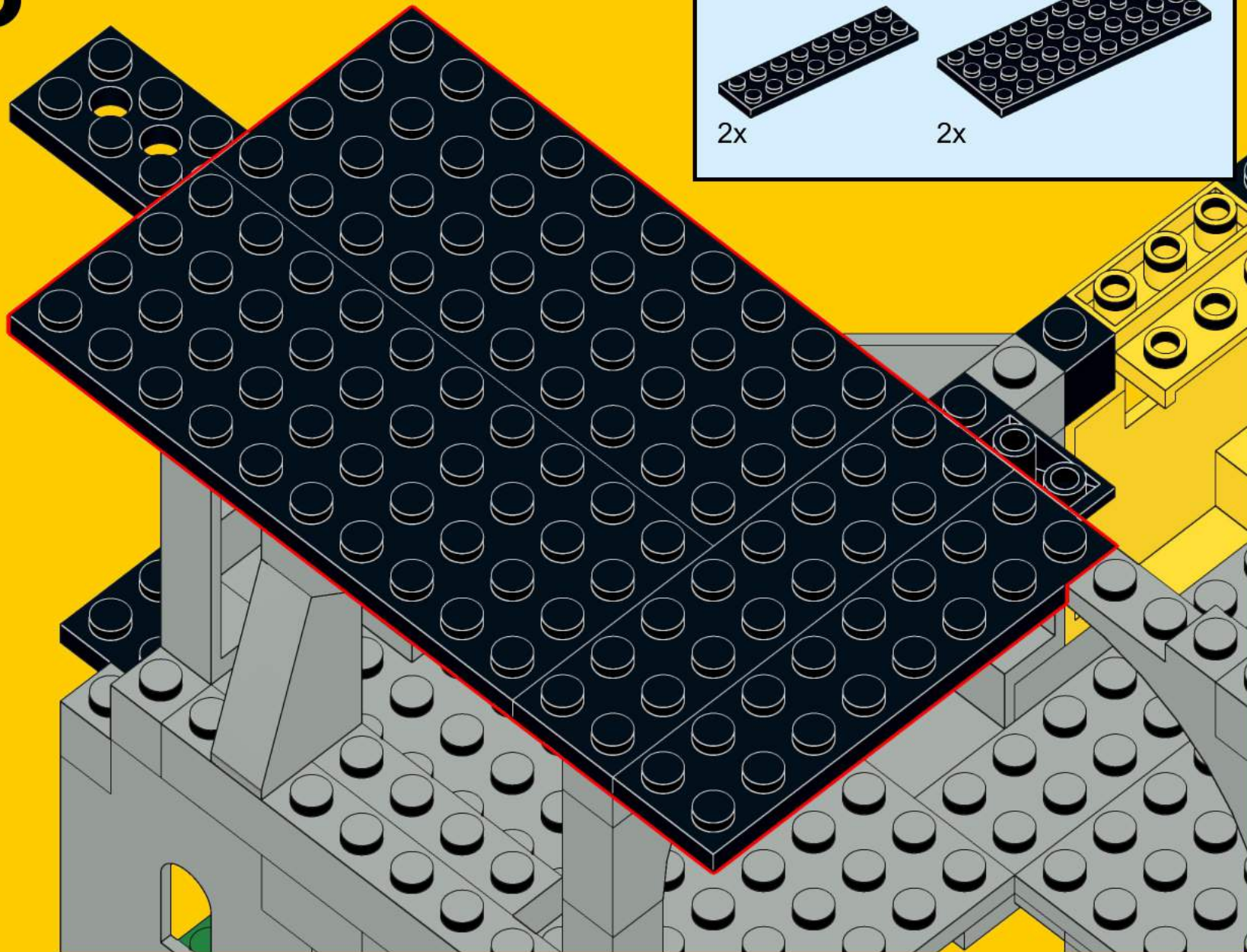


# 52



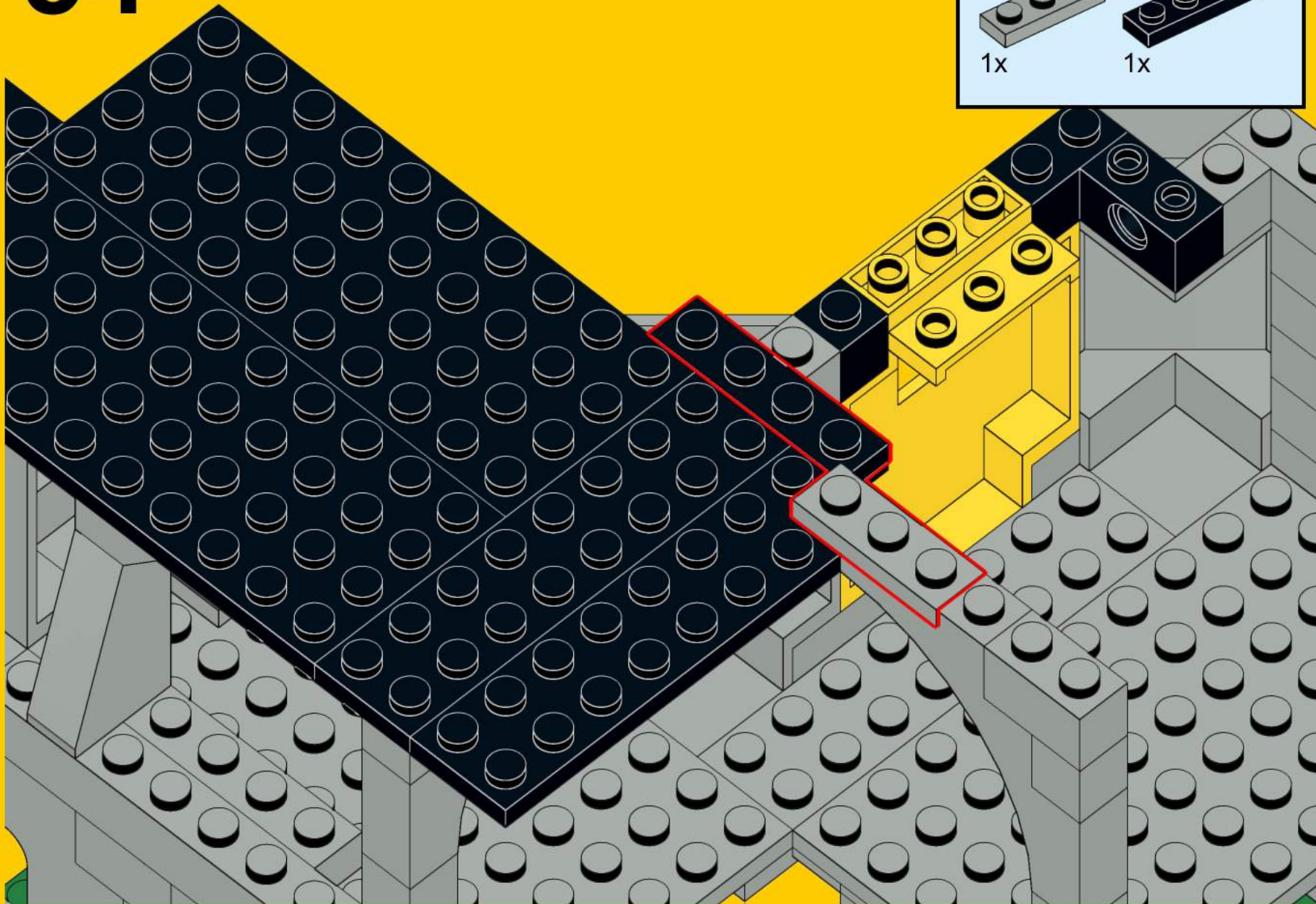
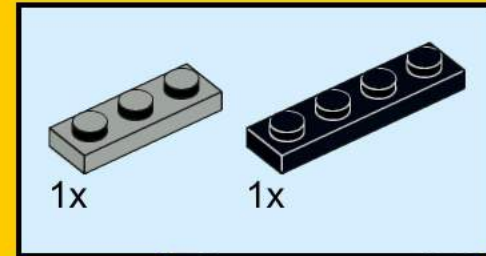


# 53



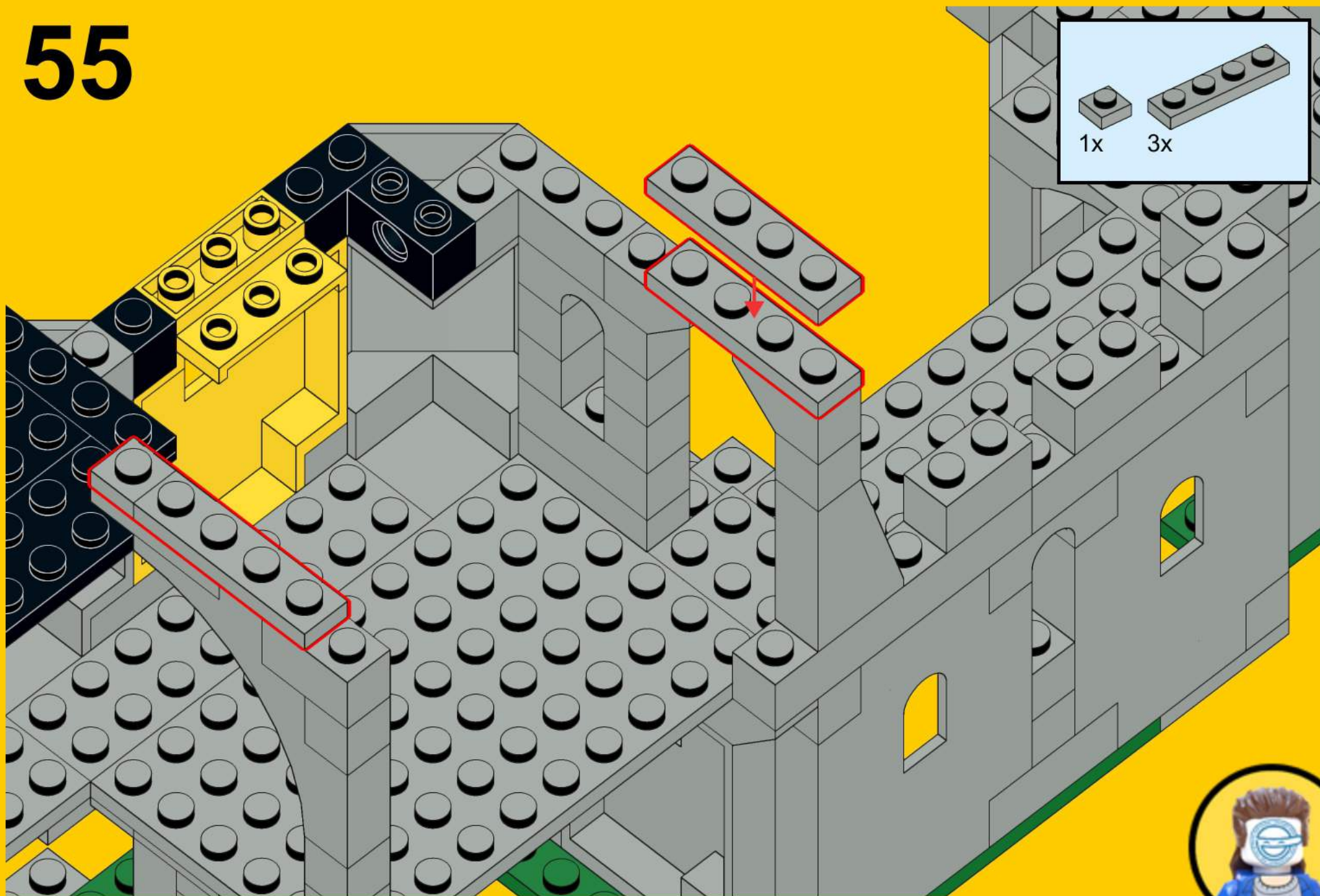


# 54



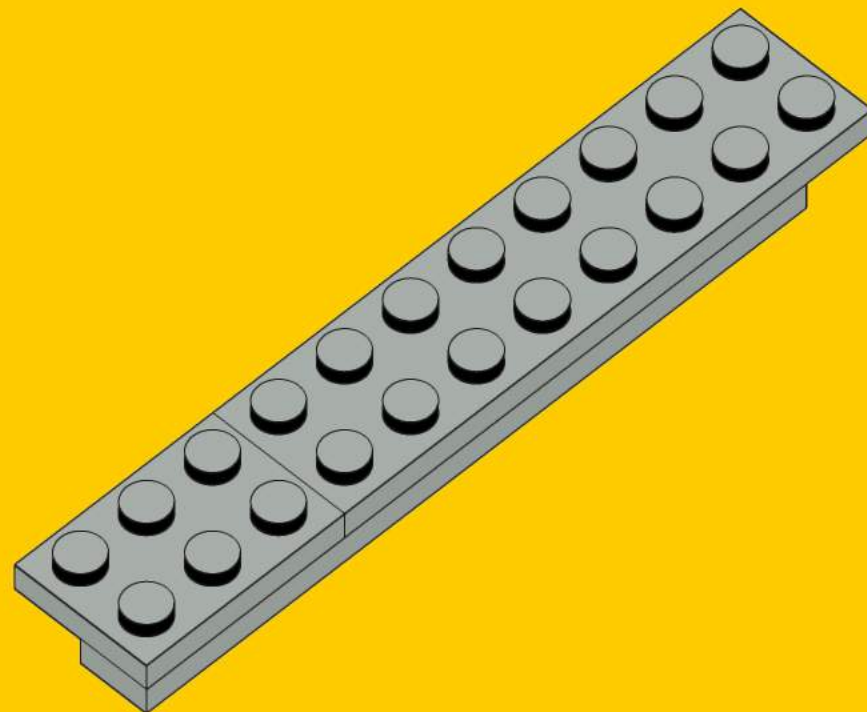
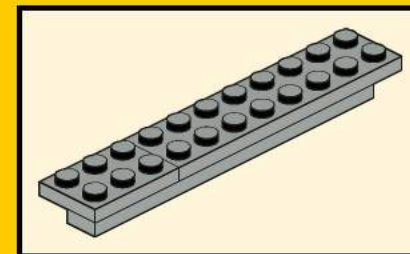
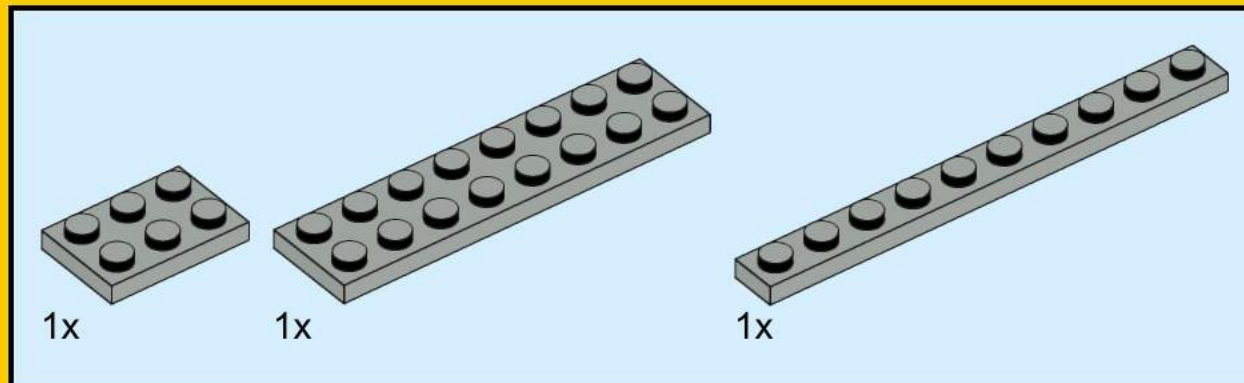


# 55

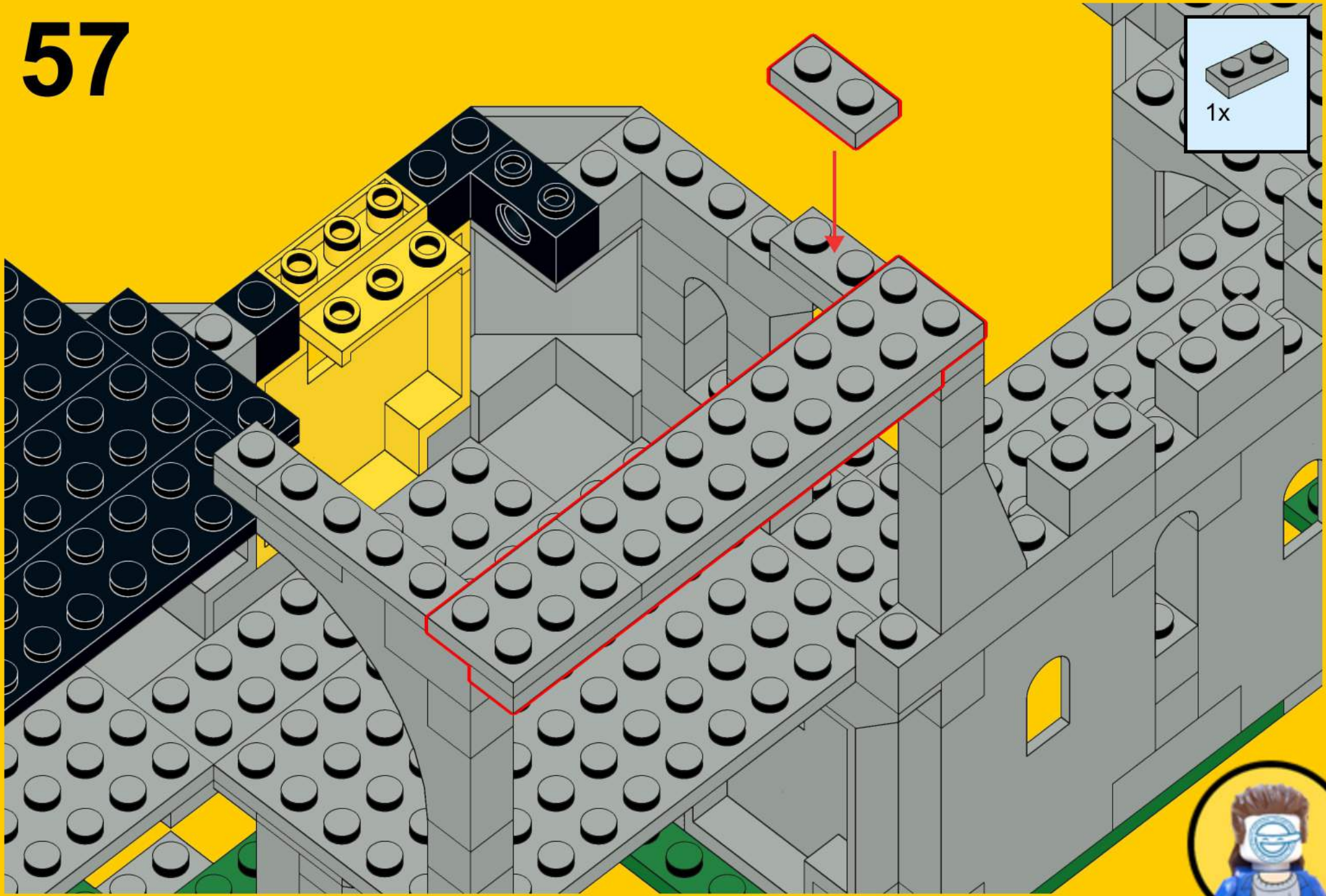




# 56

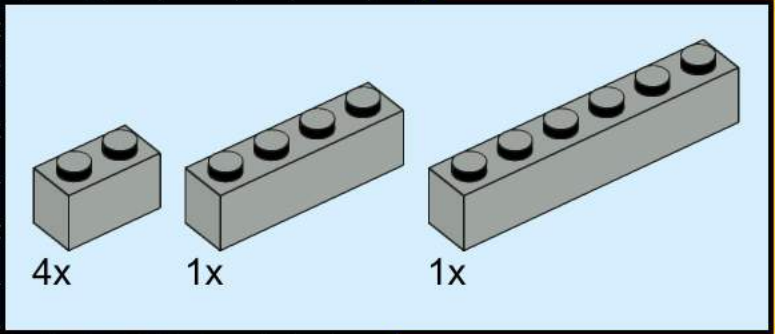
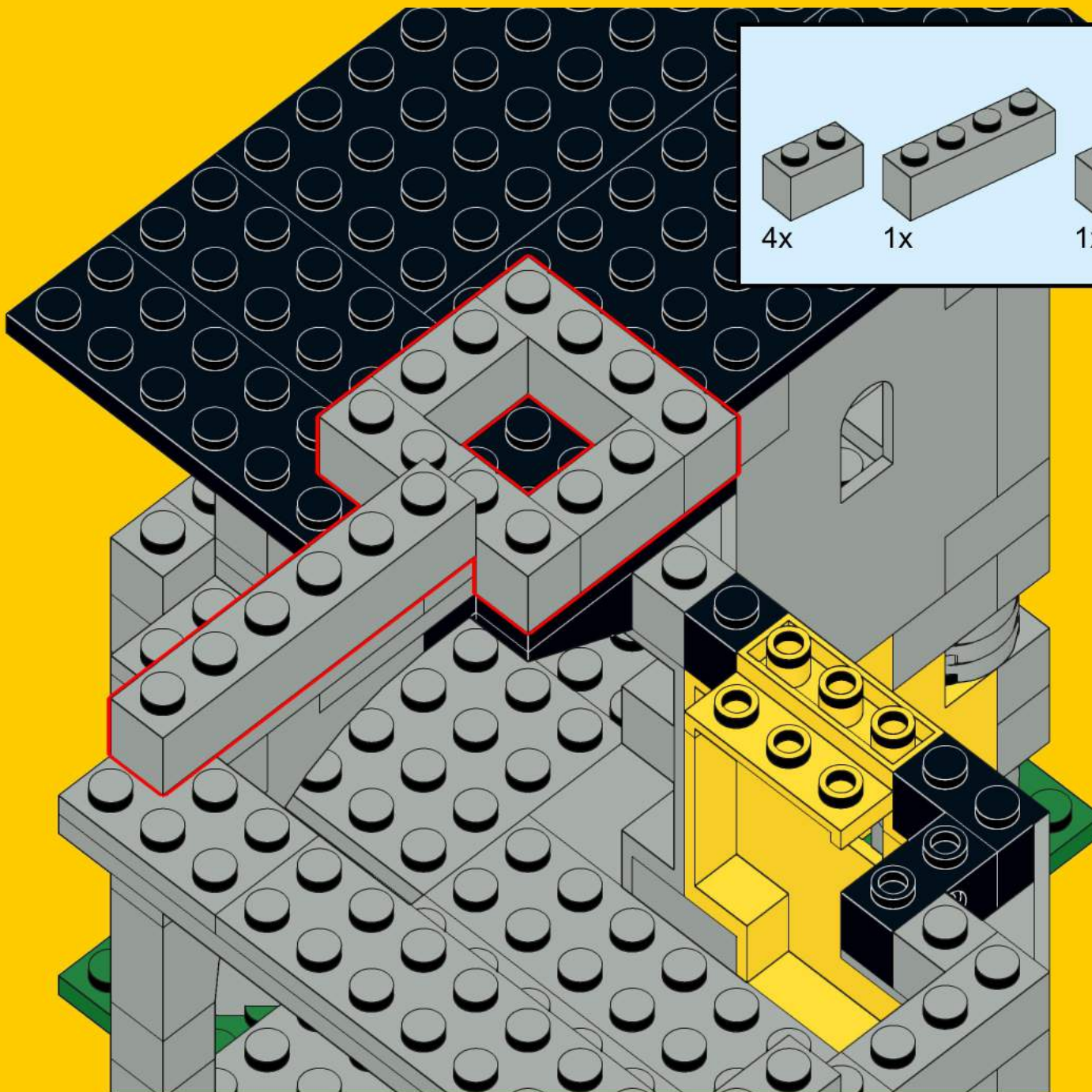


# 57



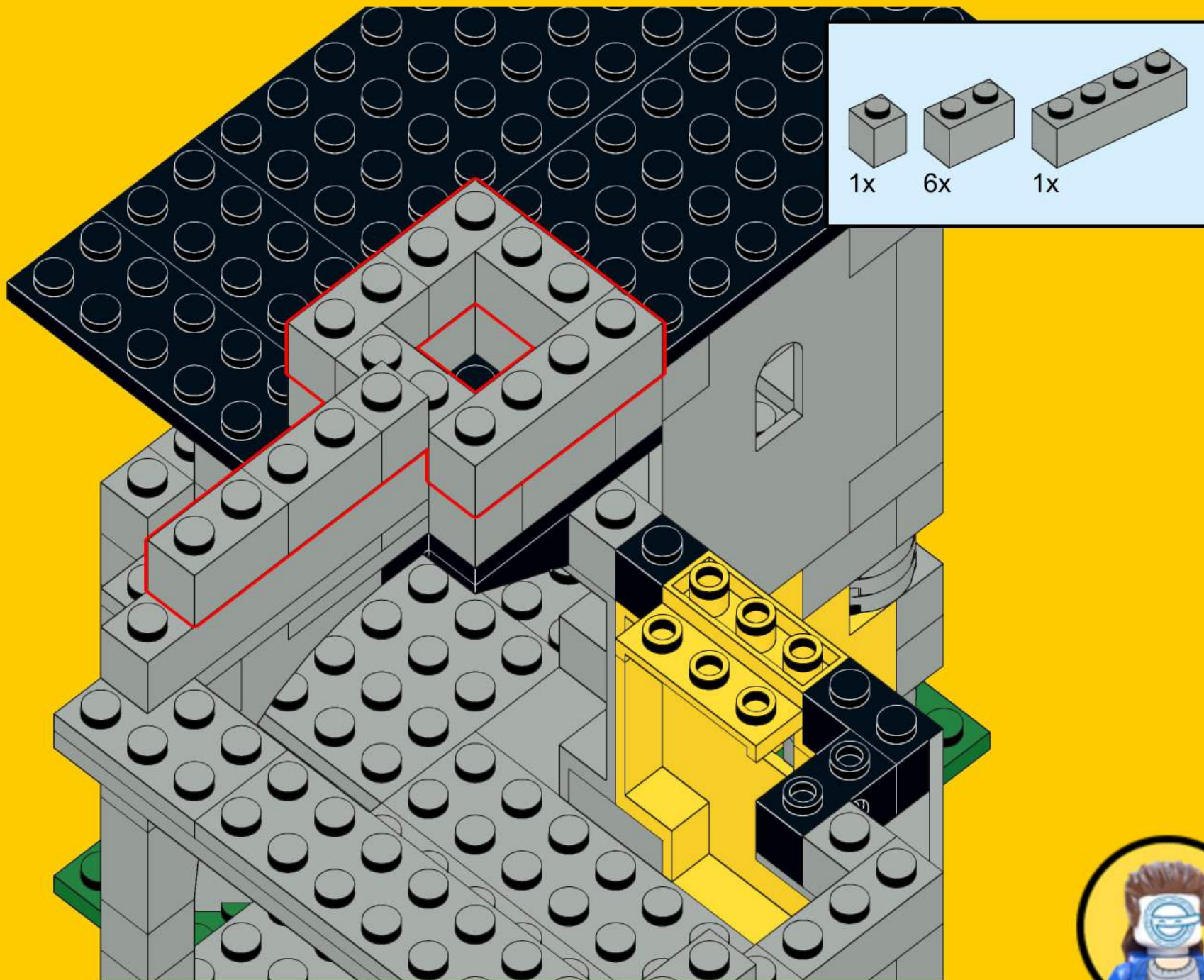


# 58

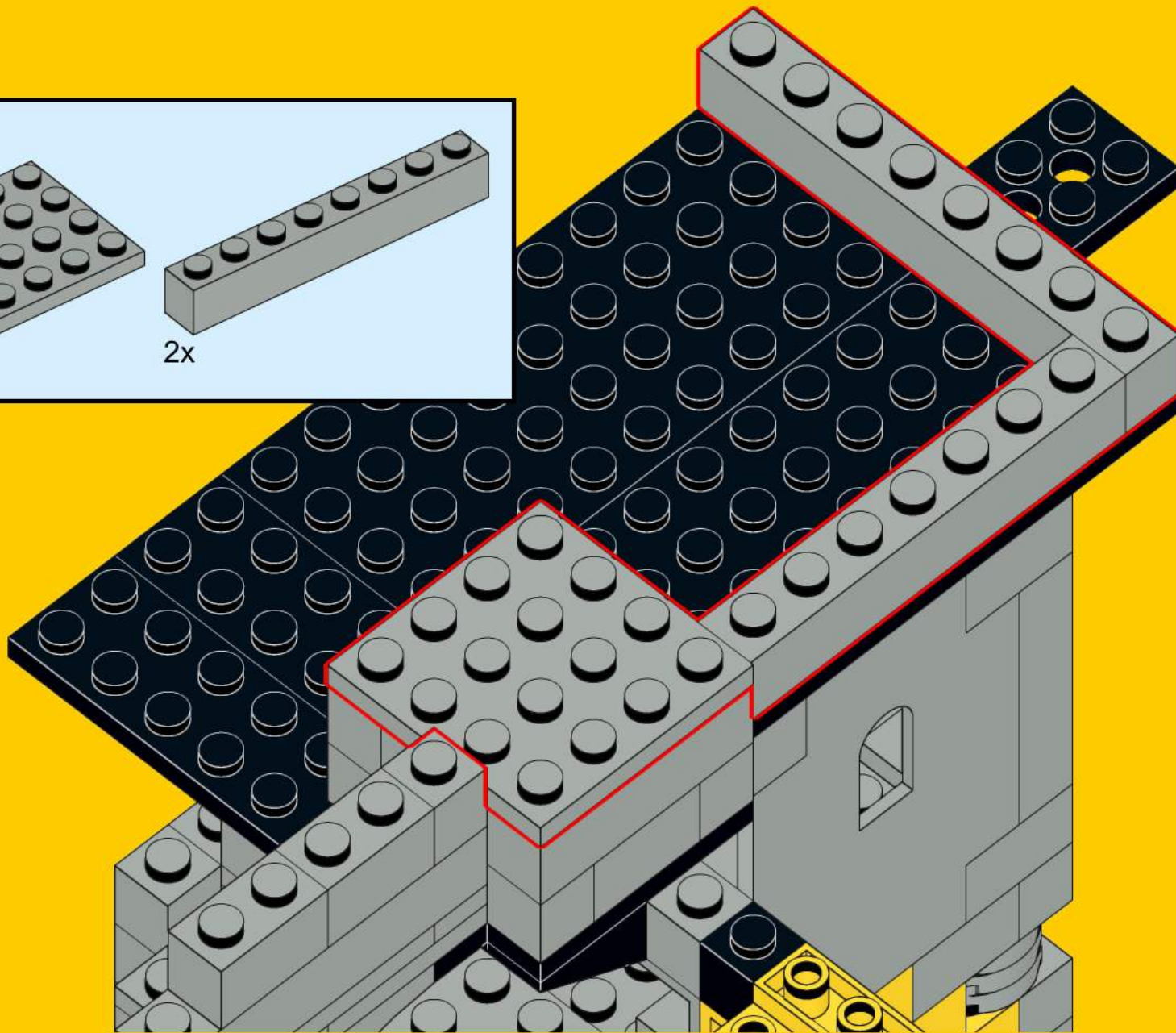
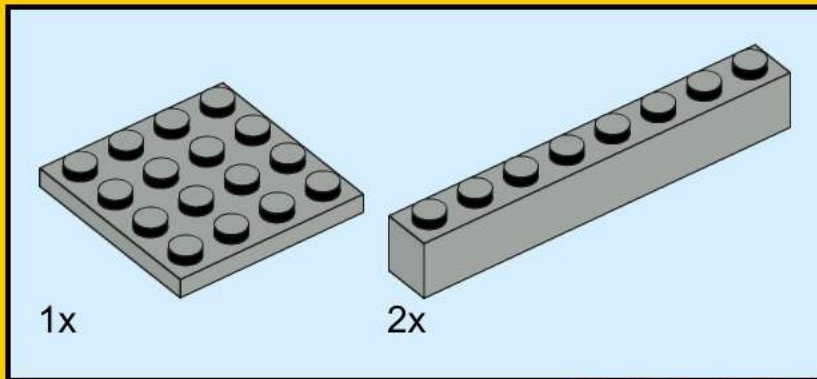




# 59

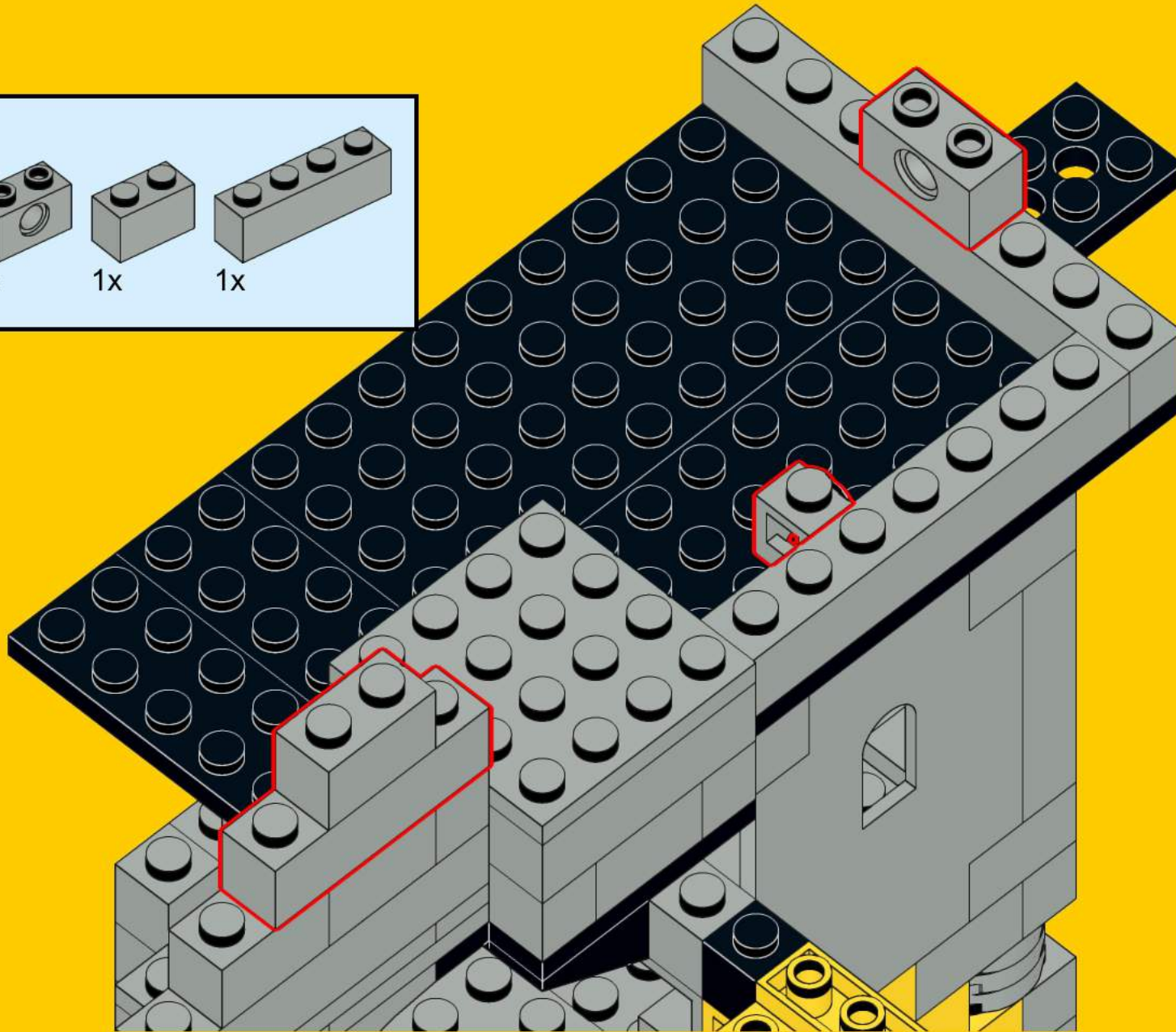
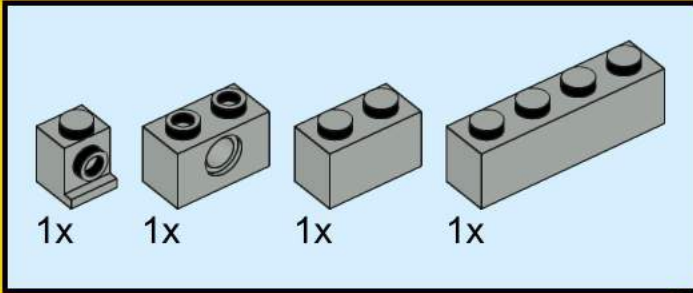


# 60

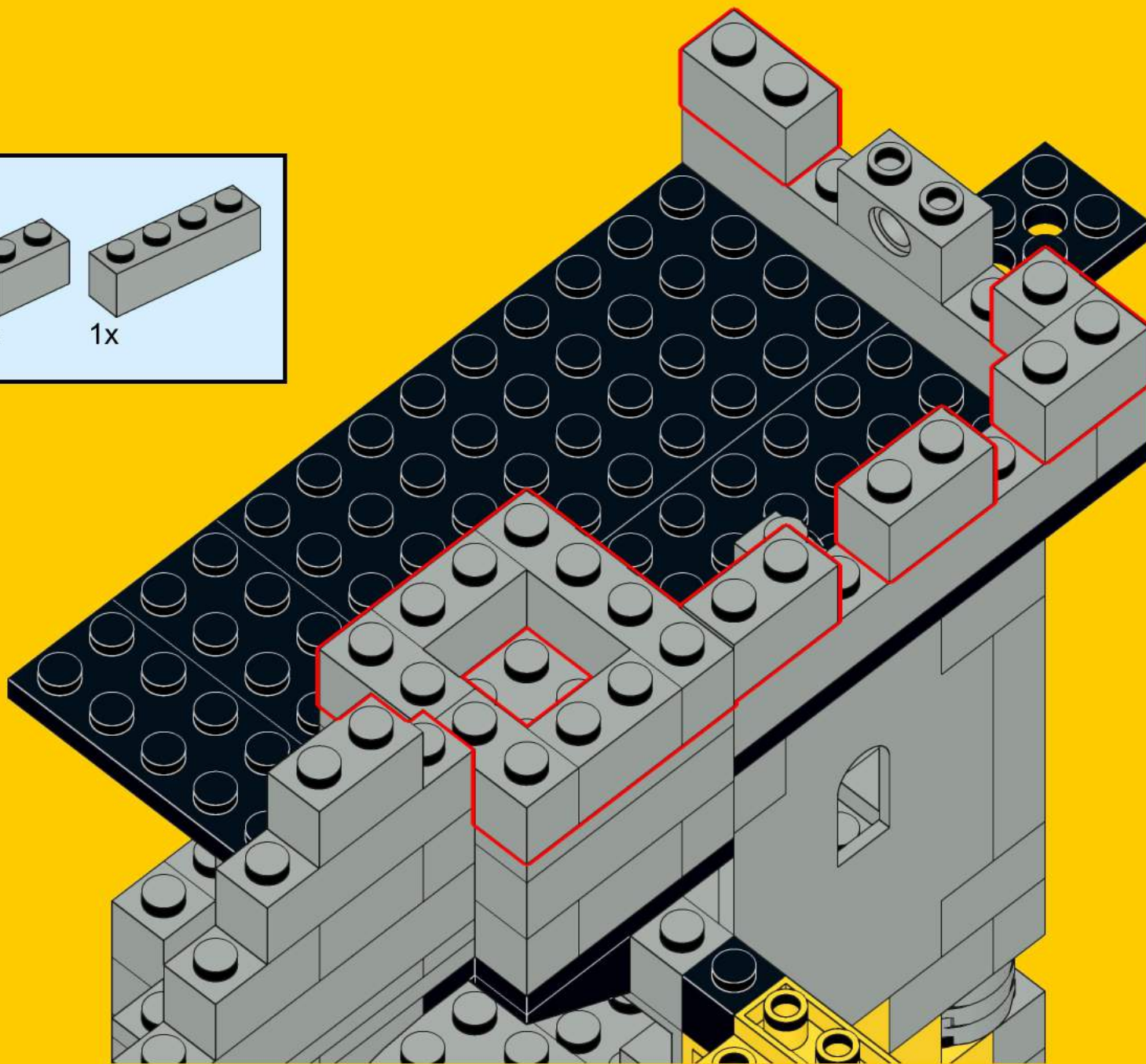
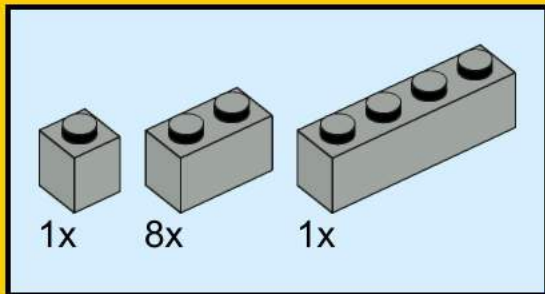




# 61

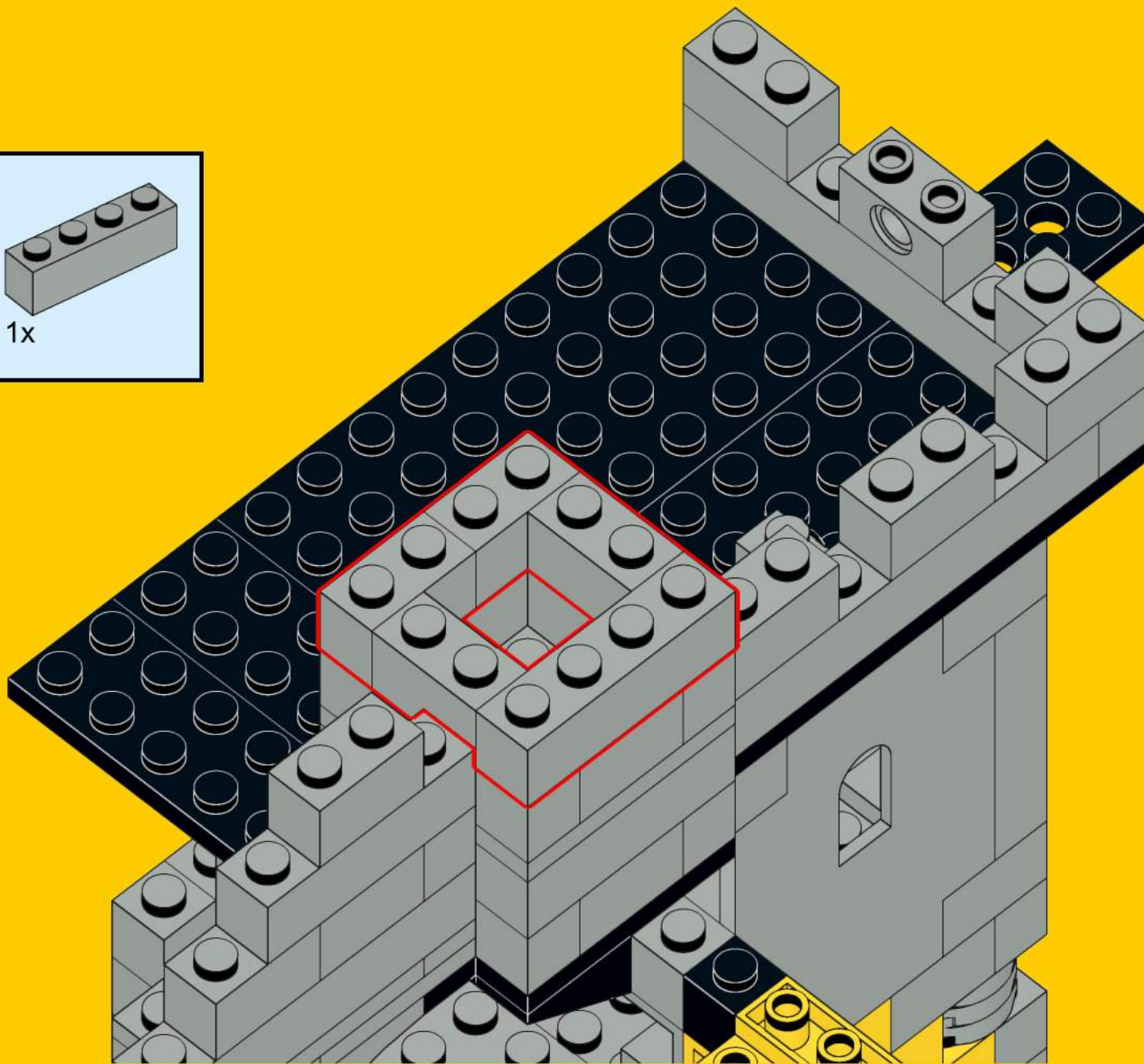
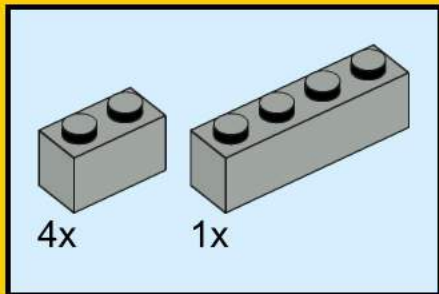


# 62

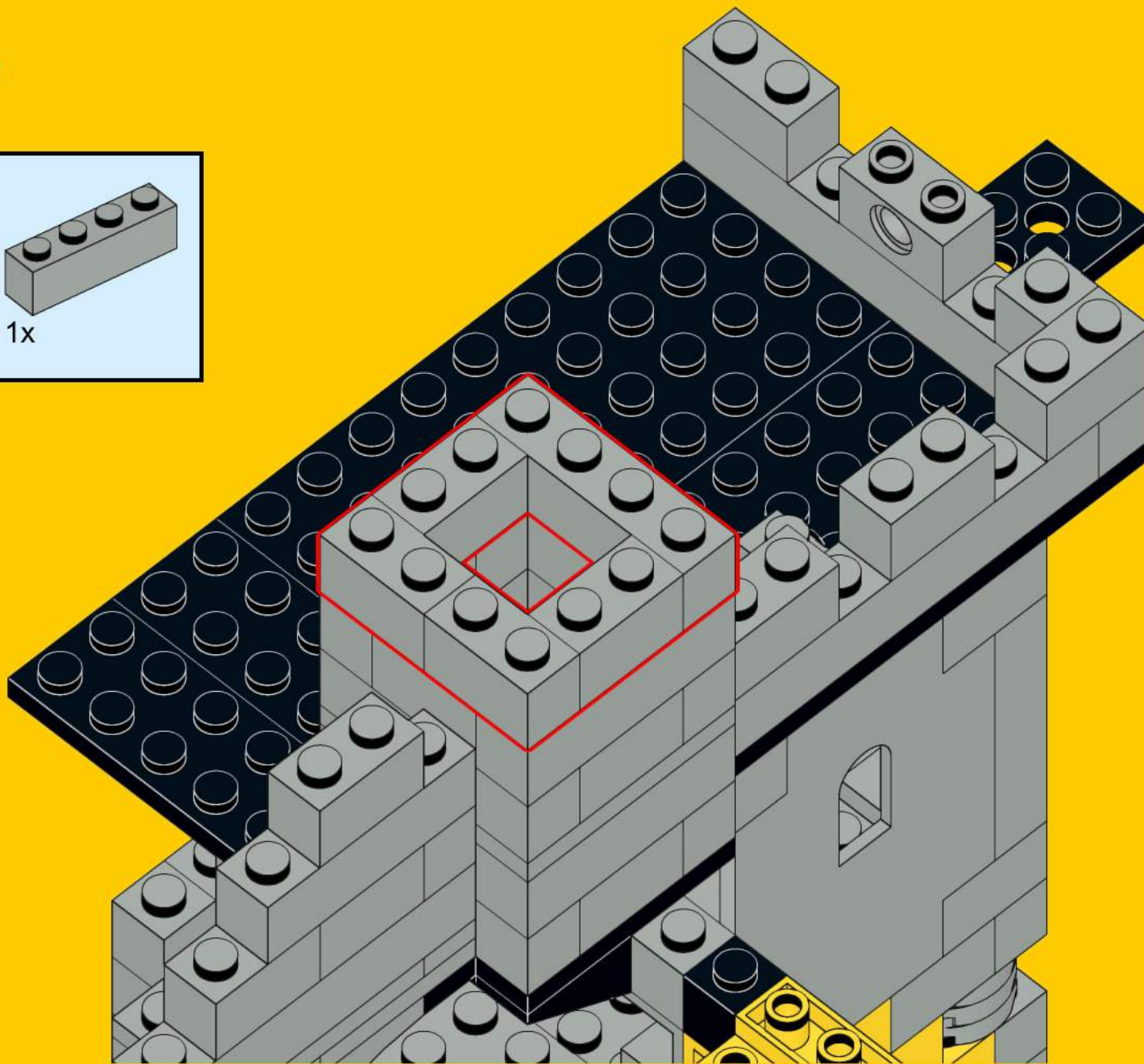
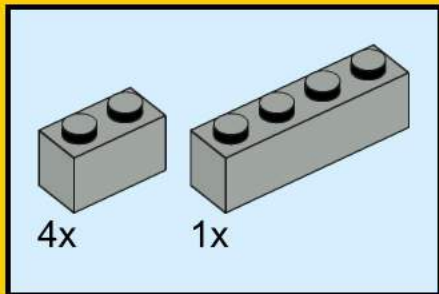




# 63

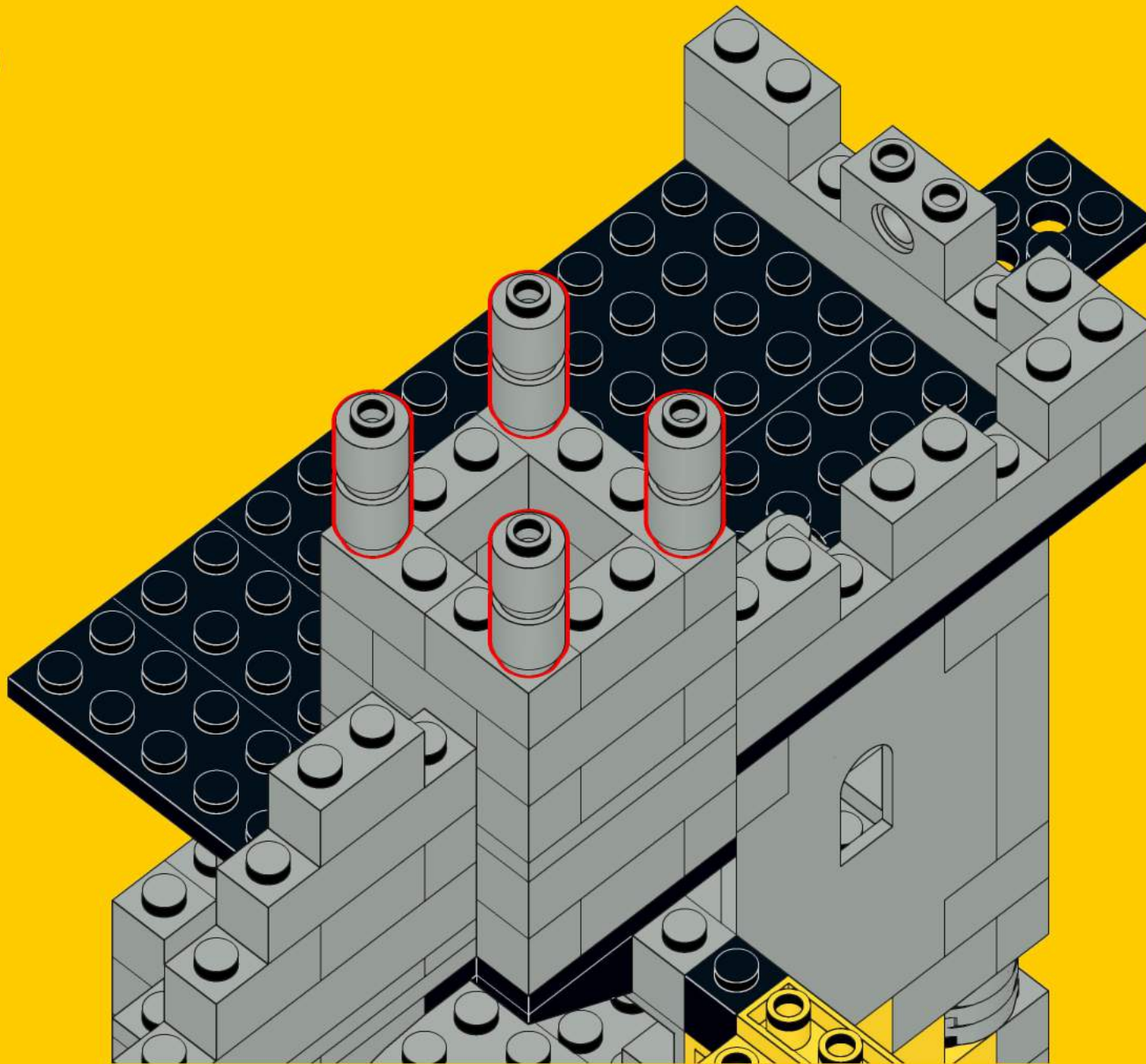
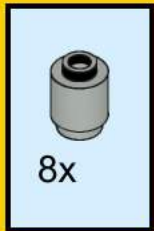


# 64

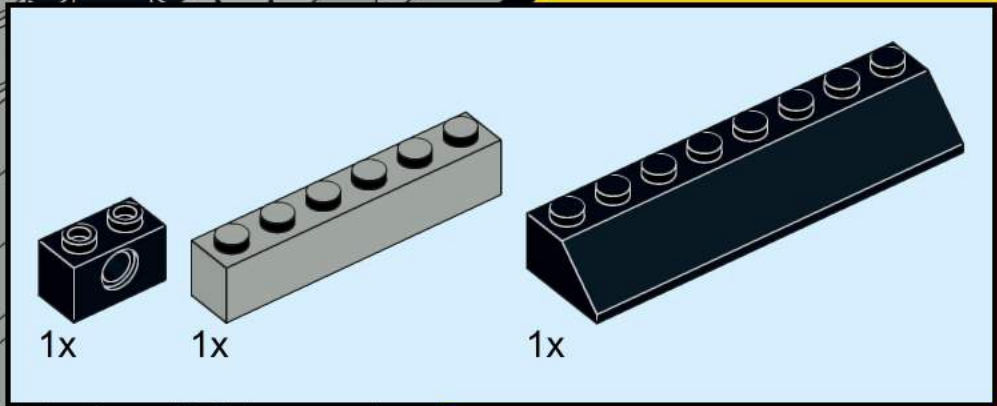
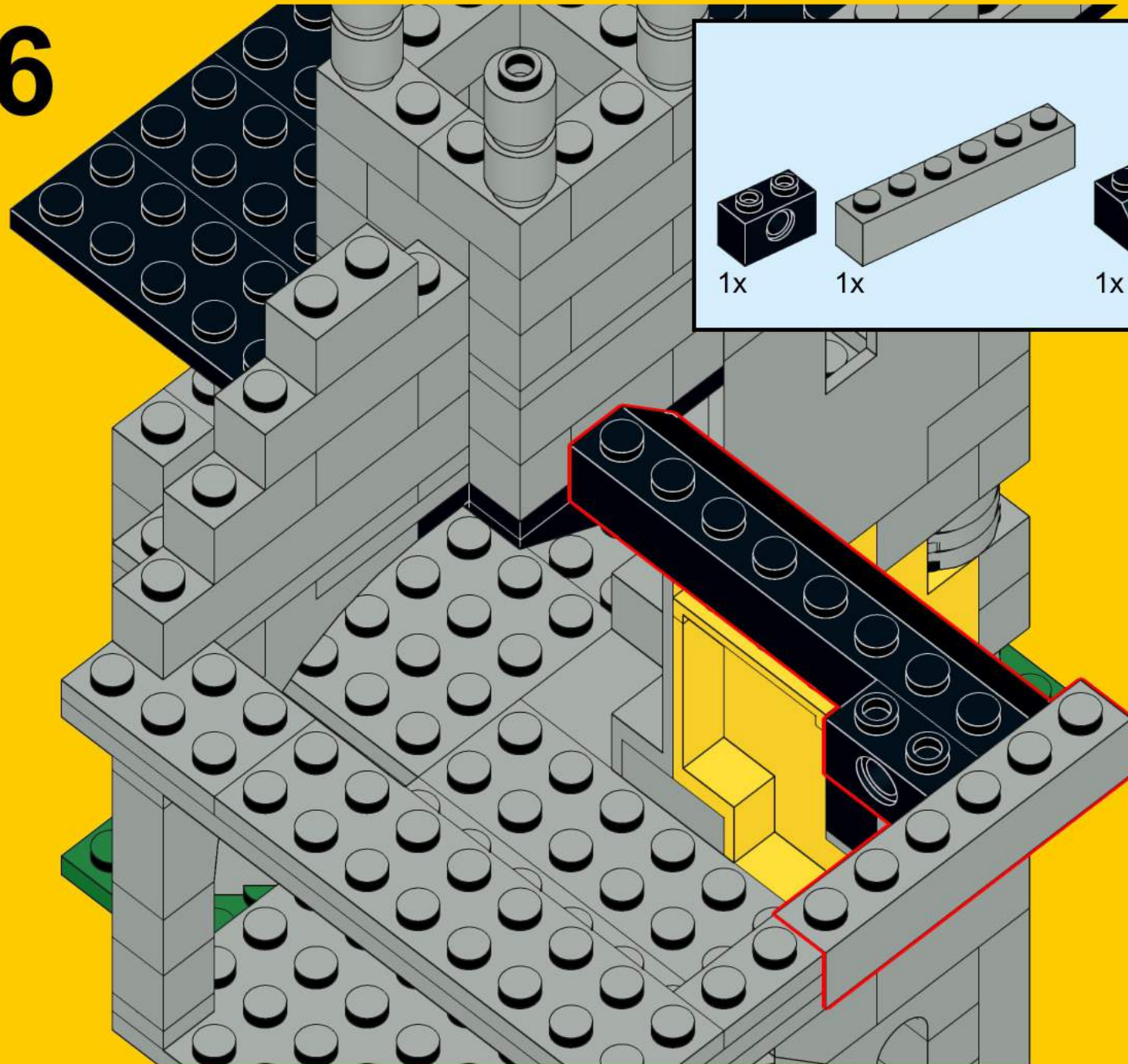




# 65

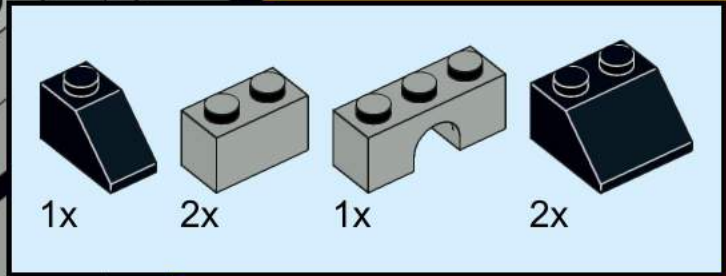
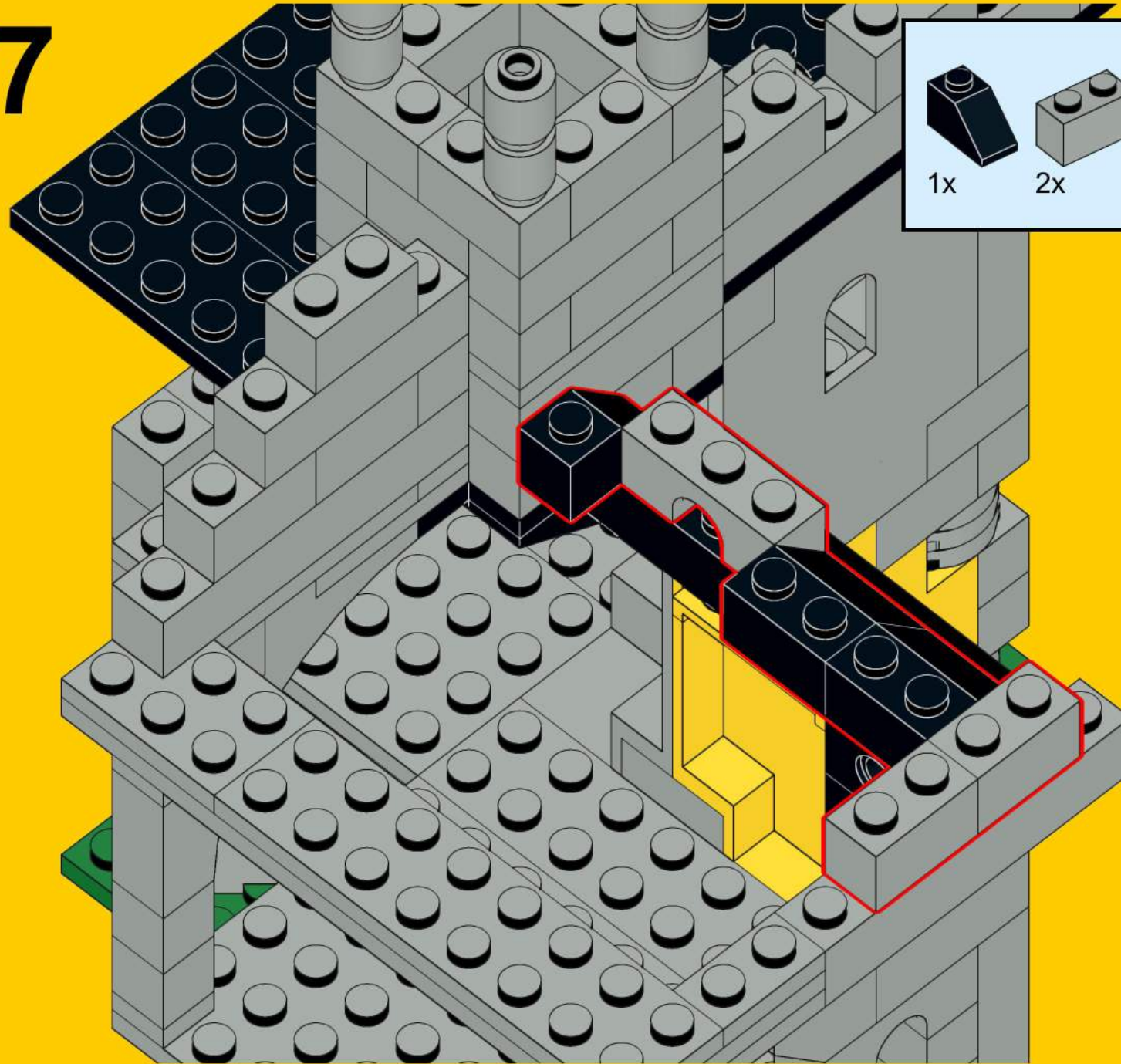


# 66

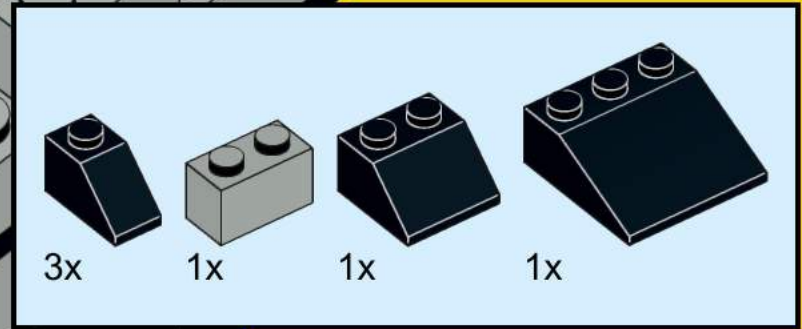
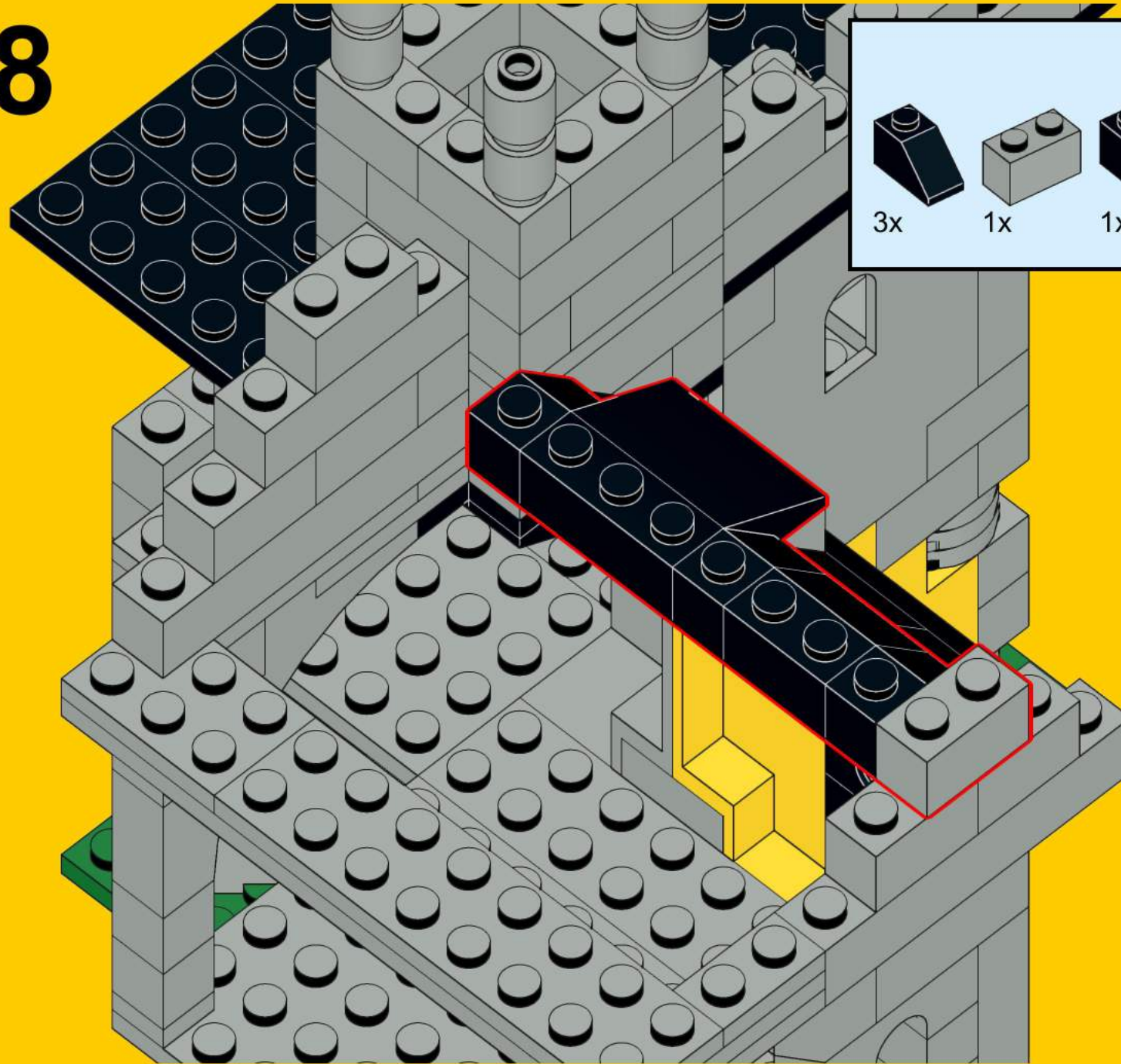




# 67

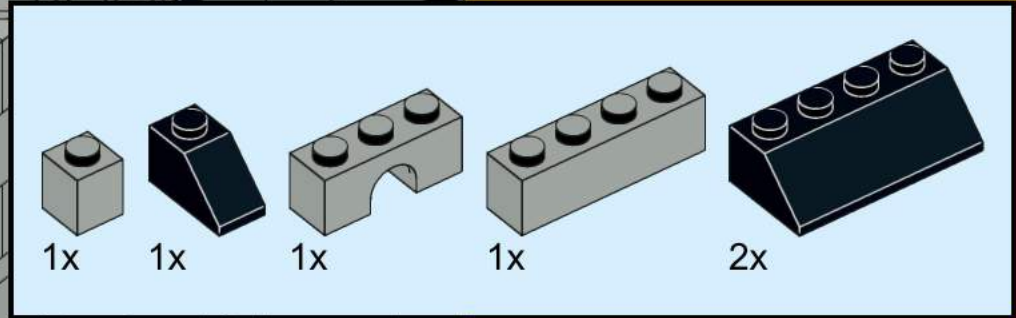
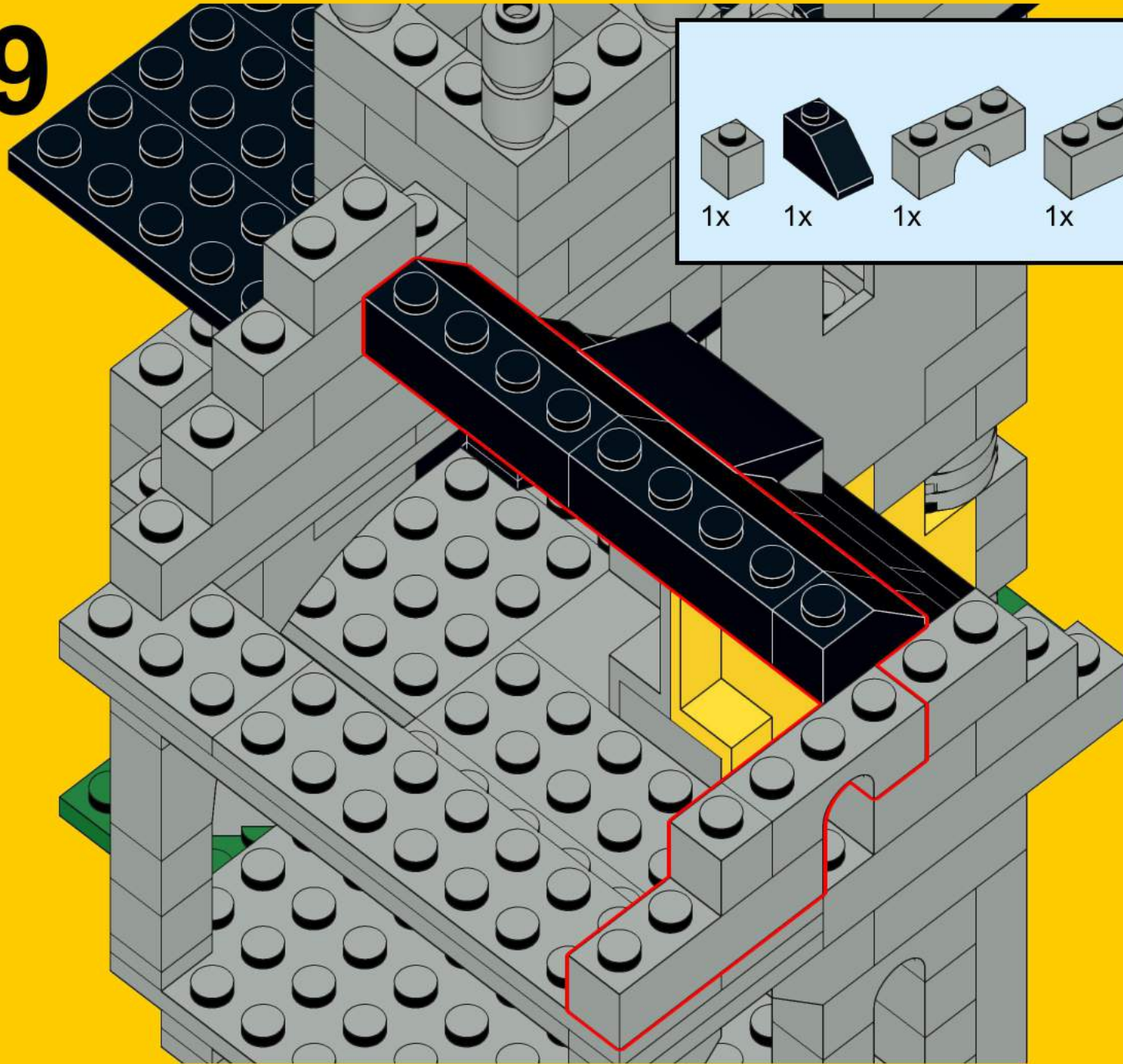


# 68

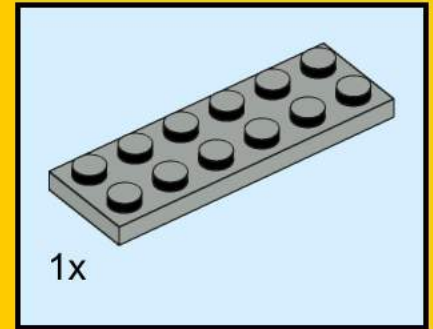
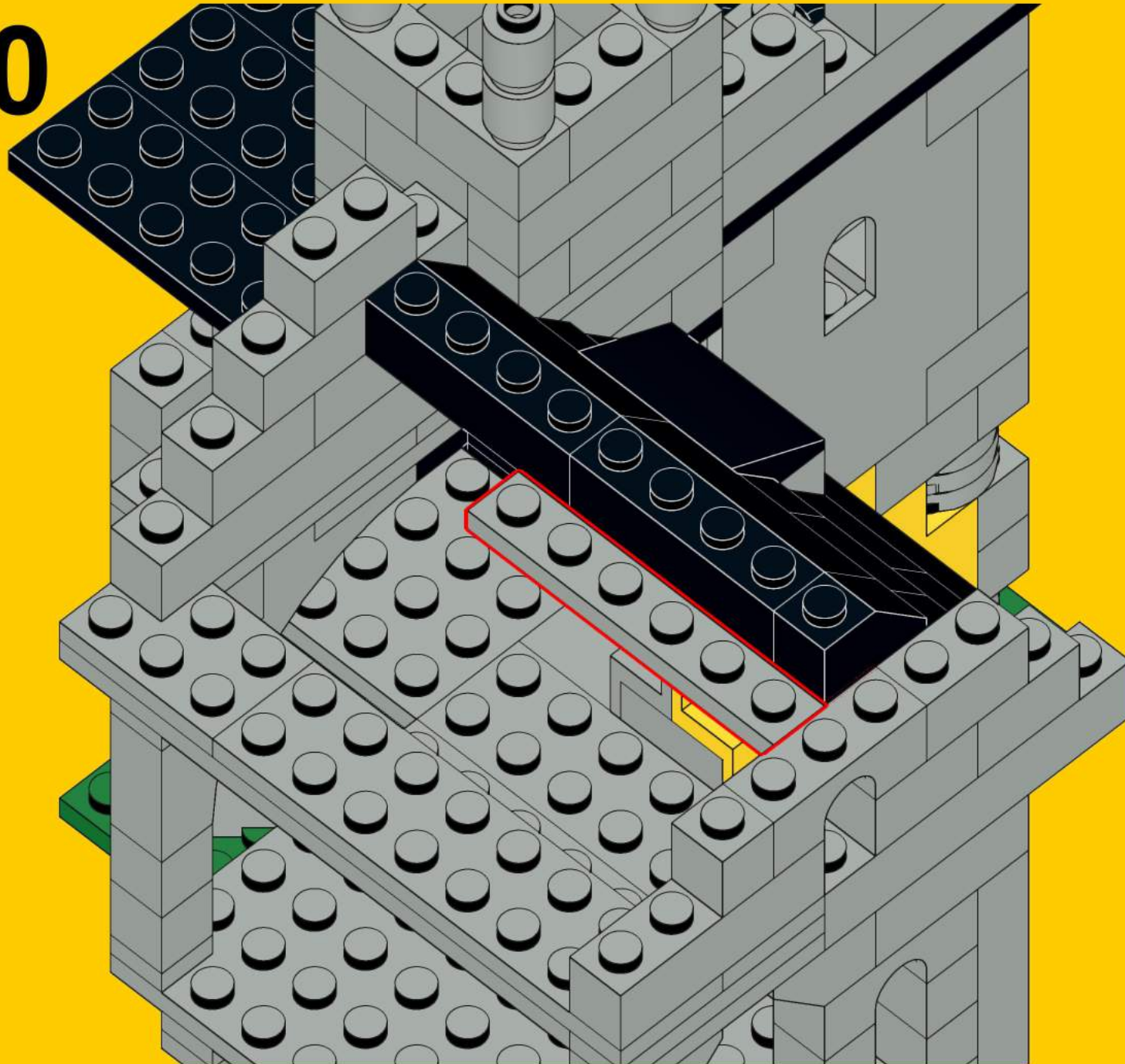




# 69

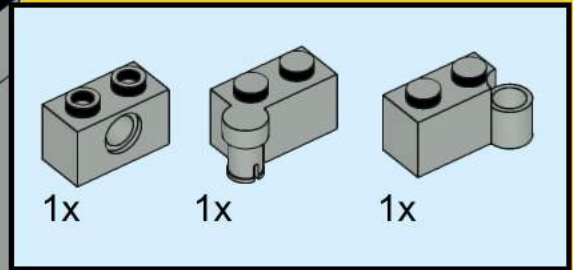
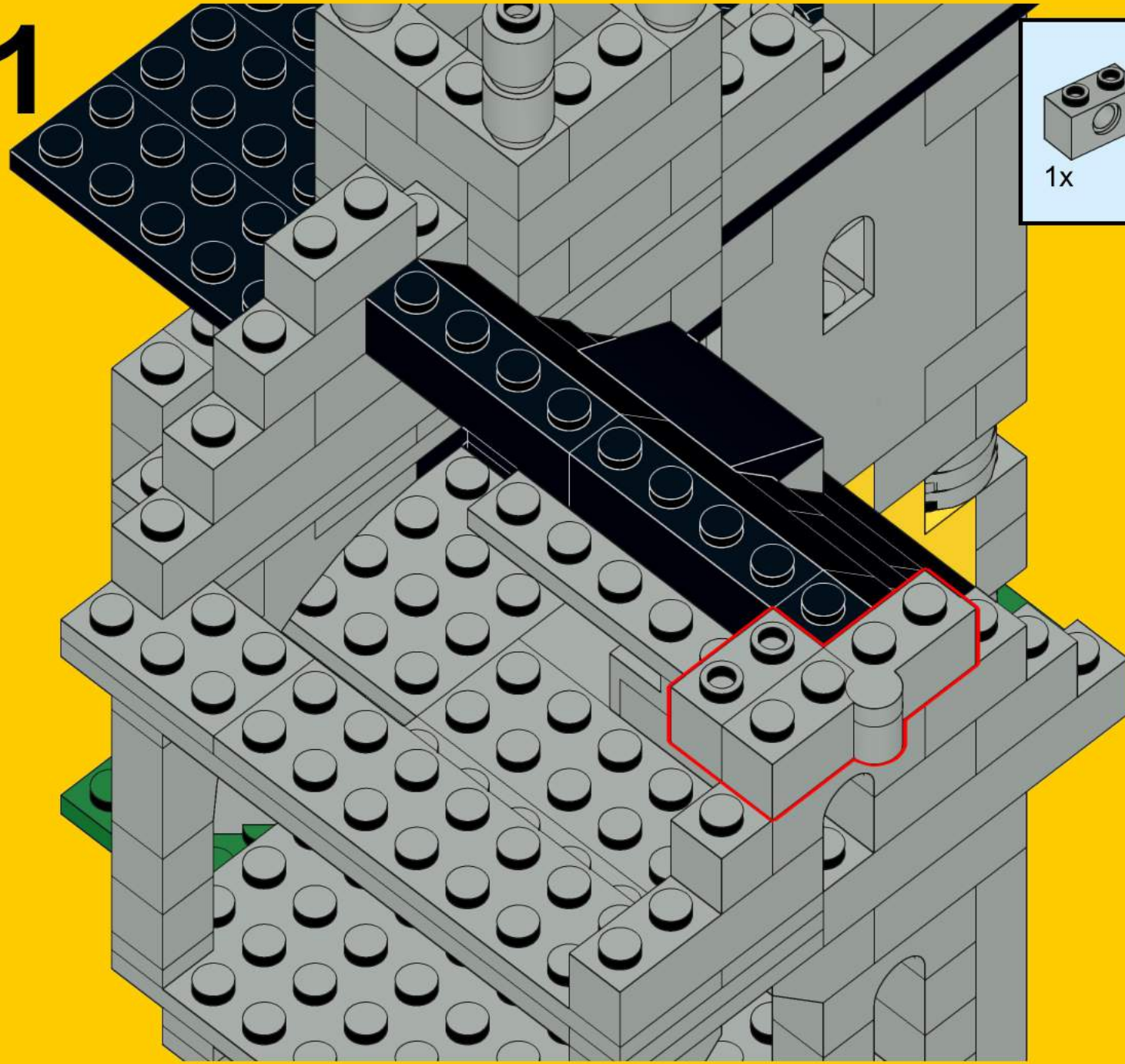


70

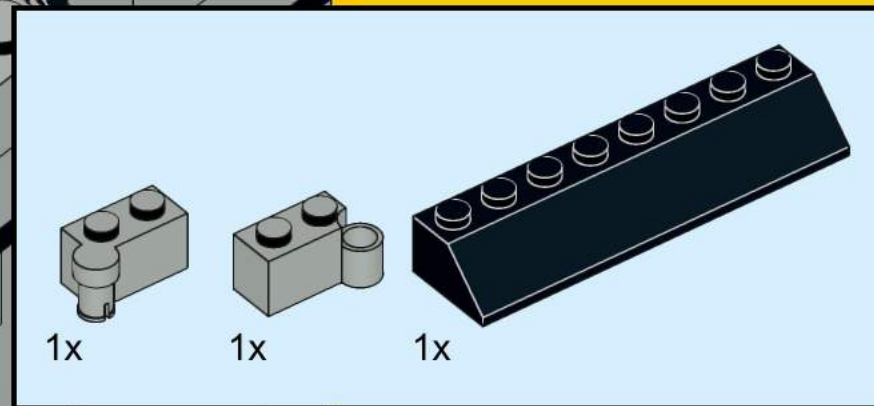
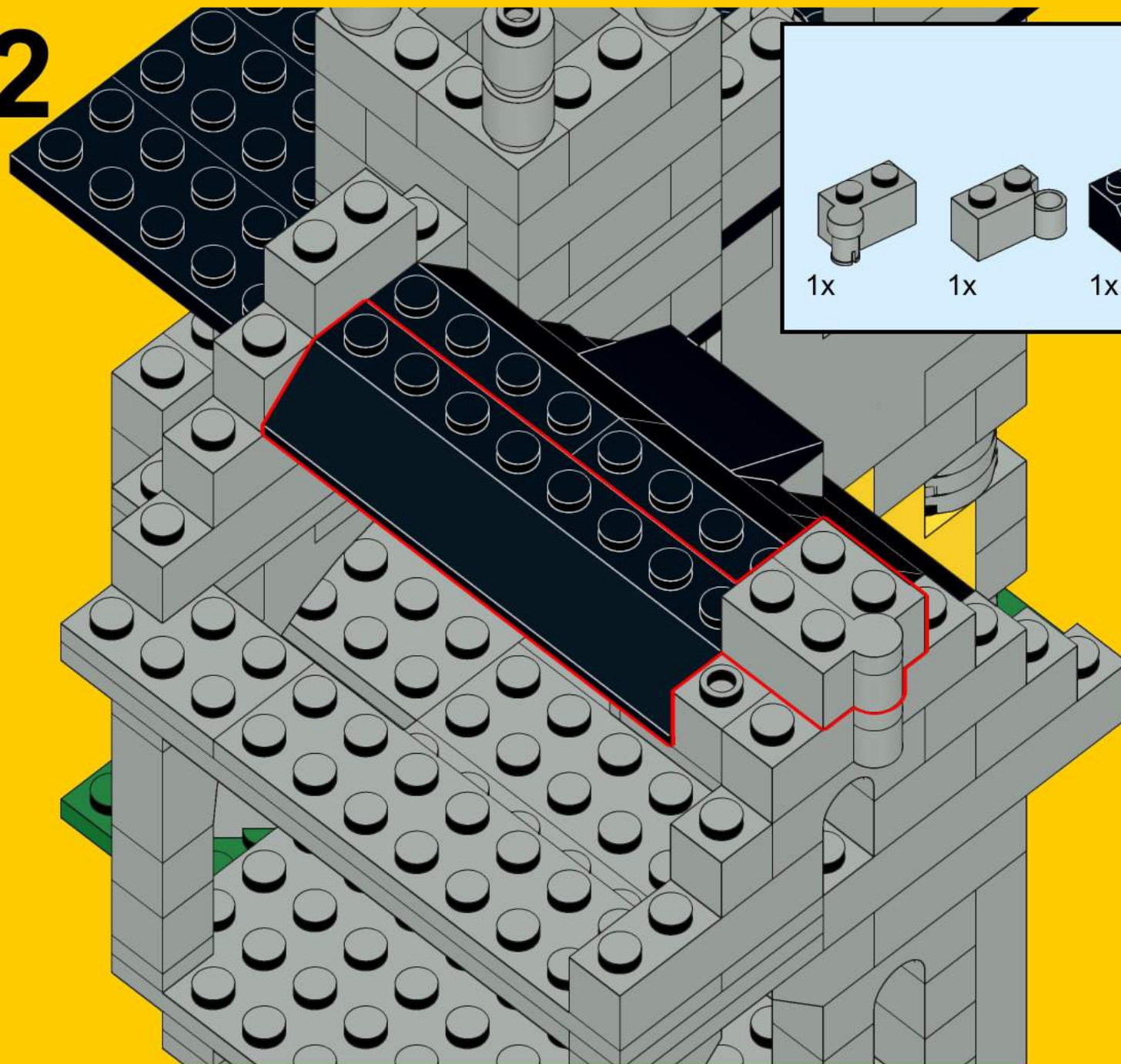




# 71

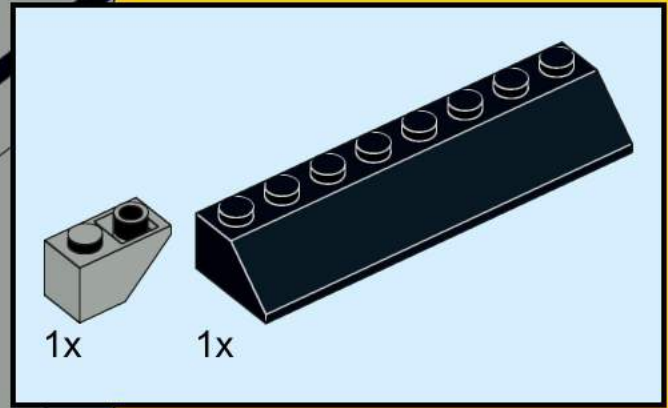
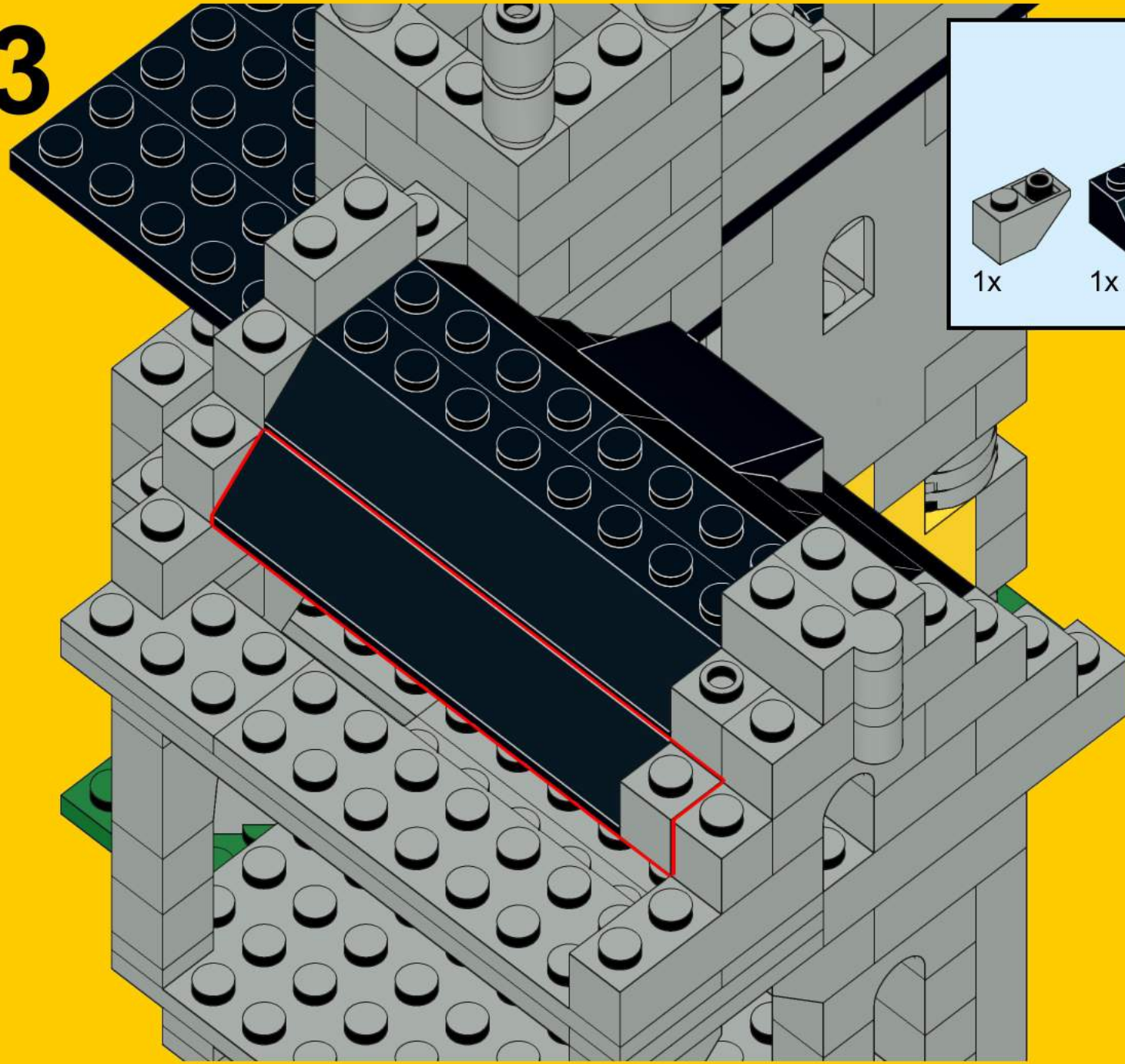


72

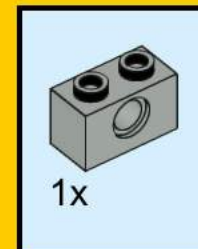
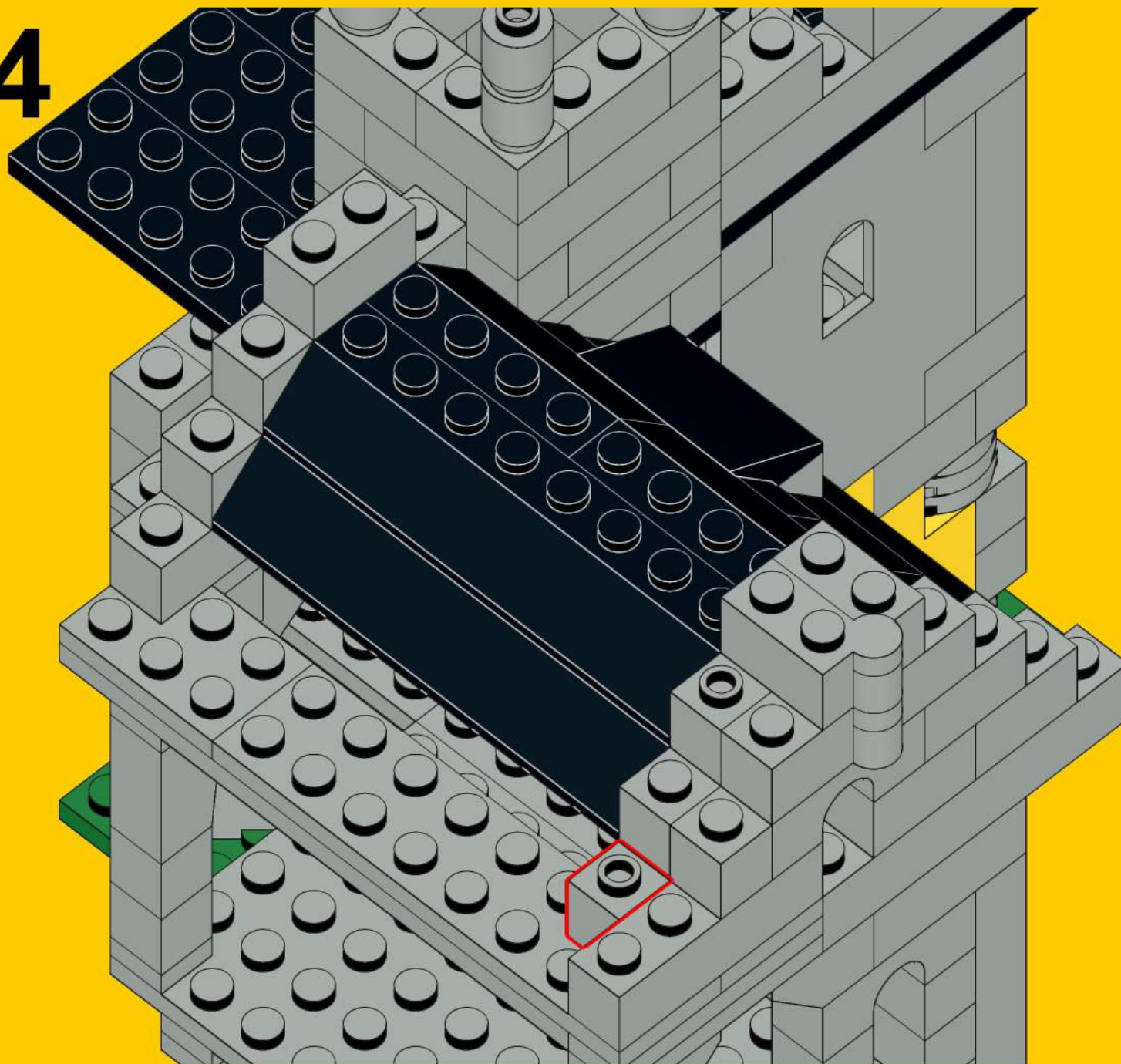




# 73

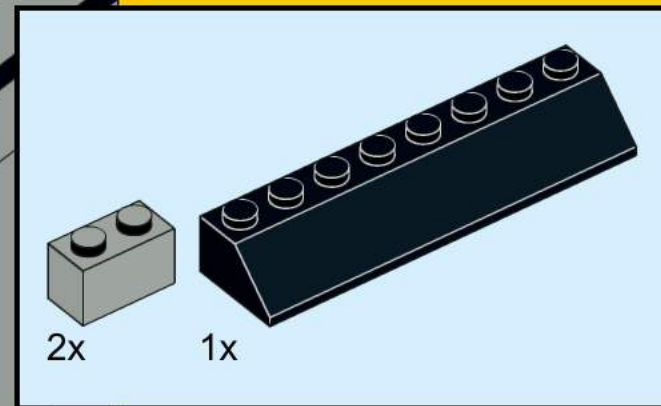
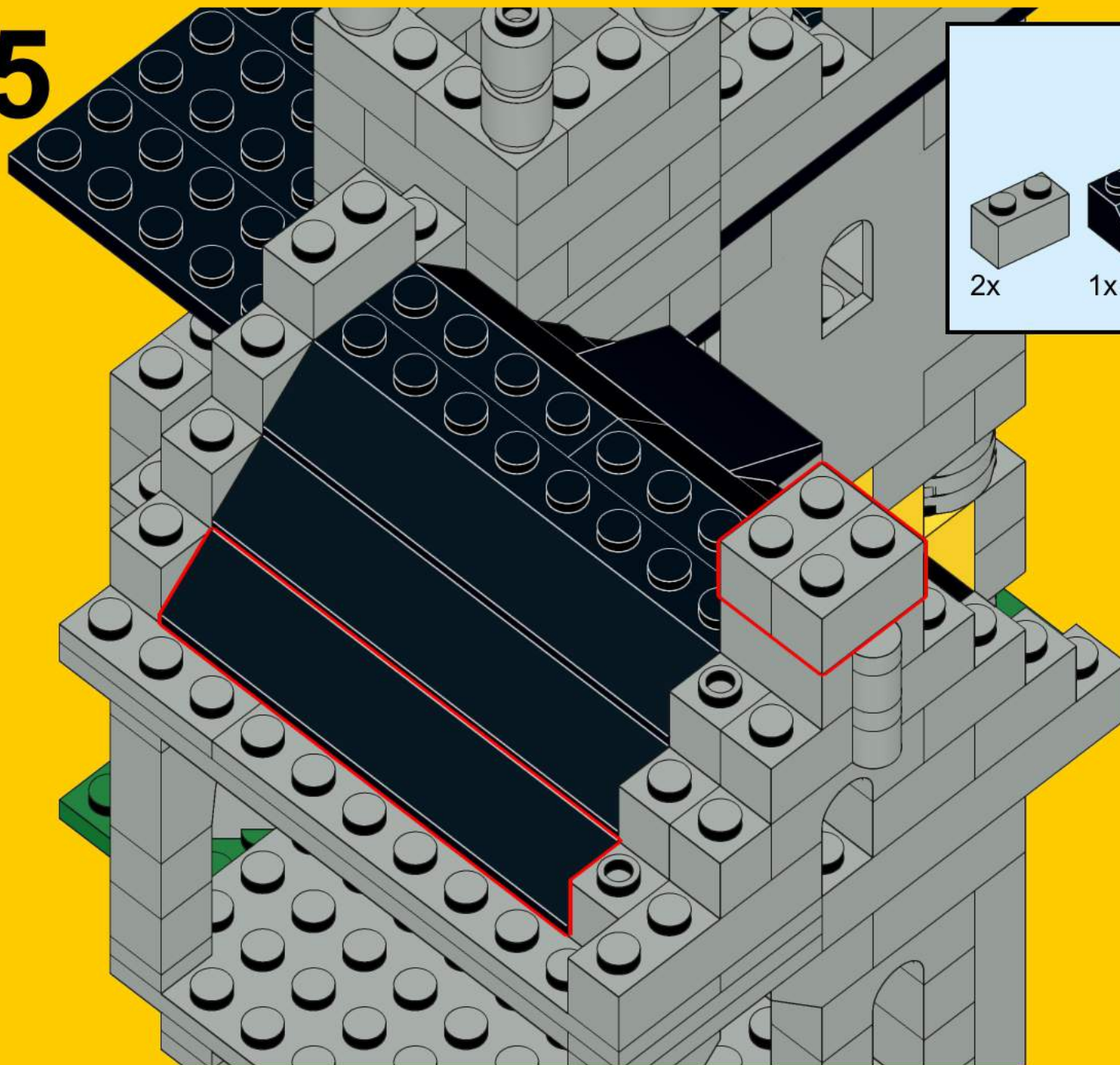


74

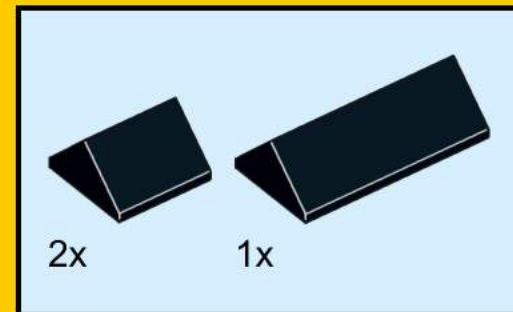
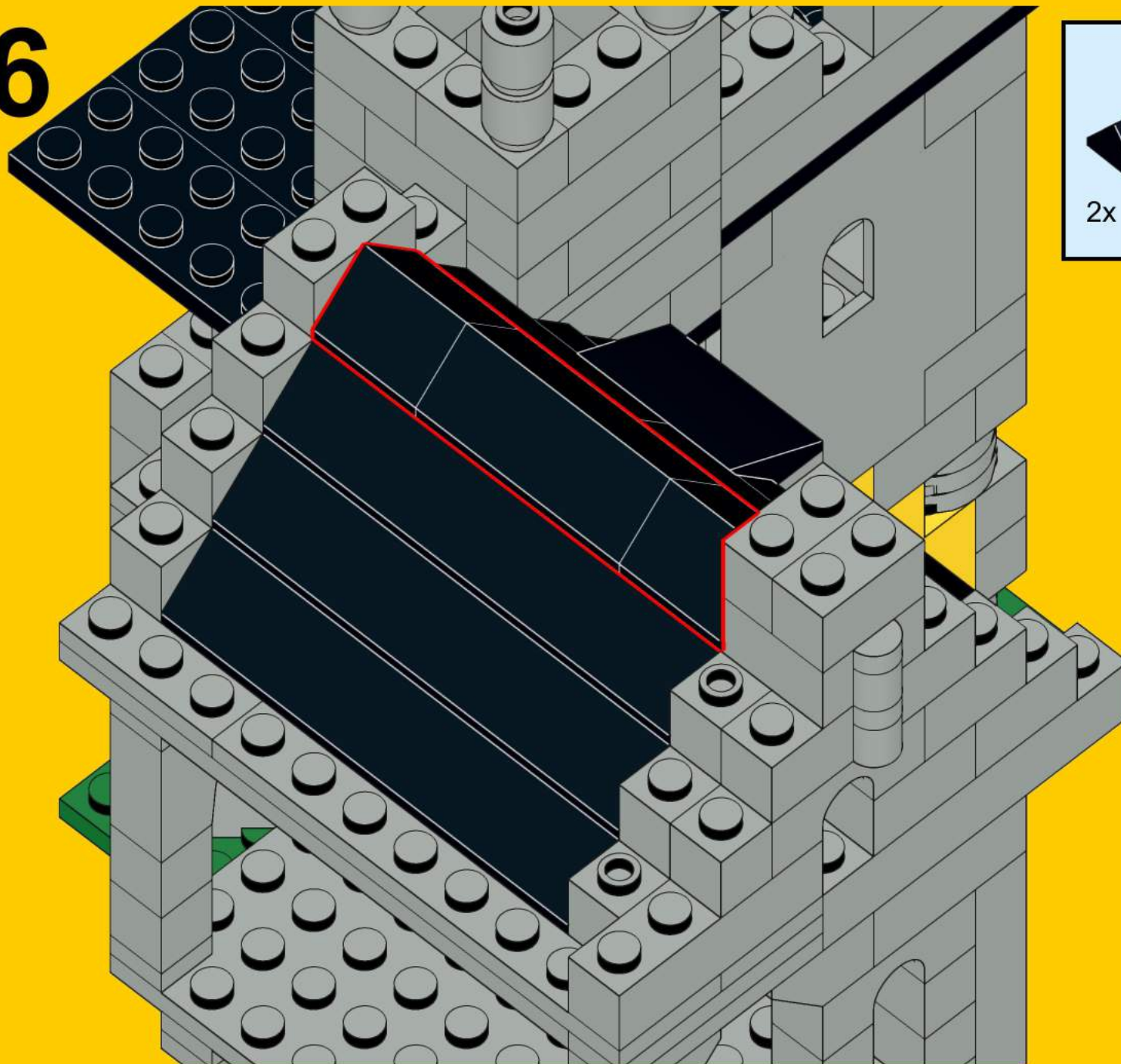




# 75

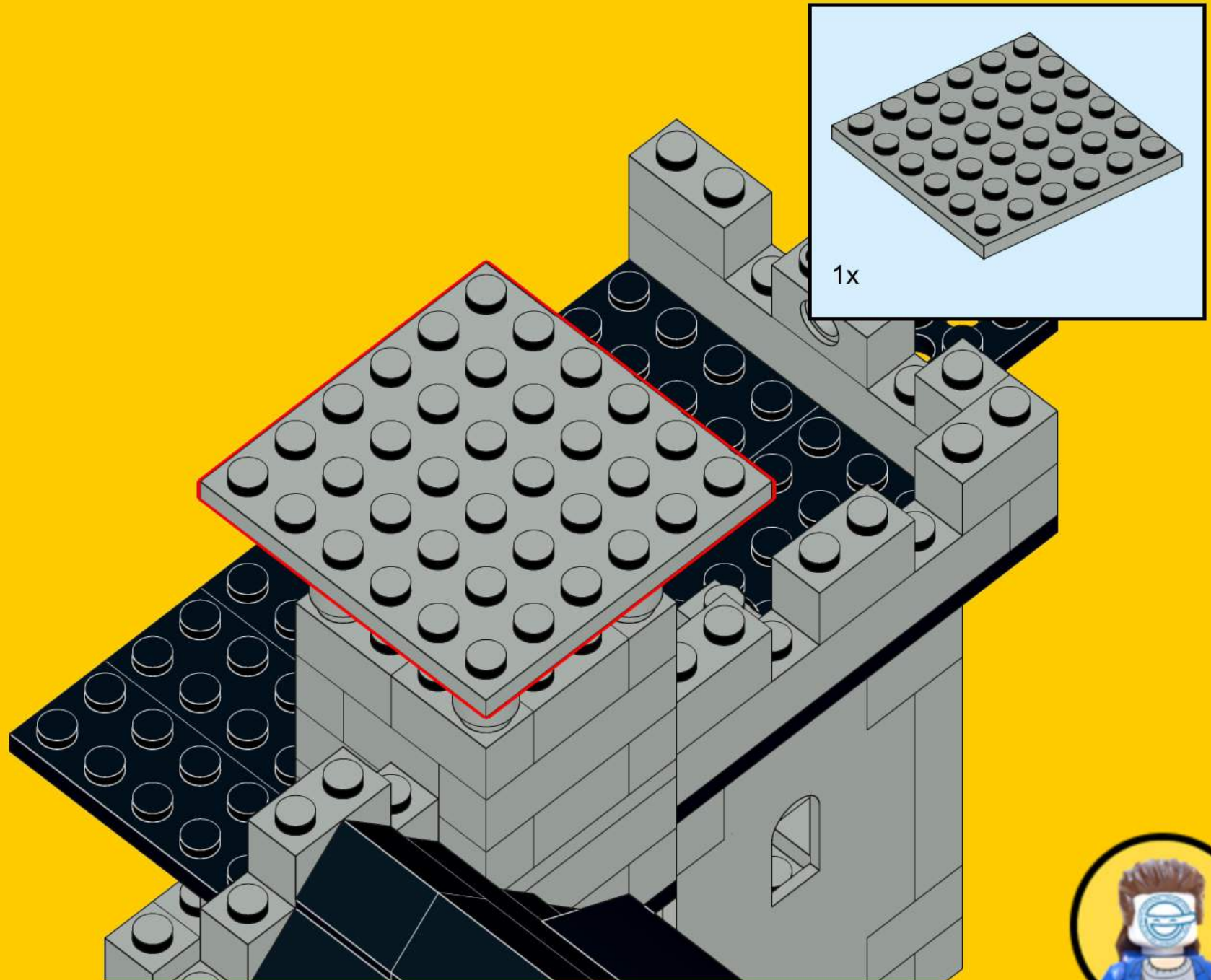


# 76

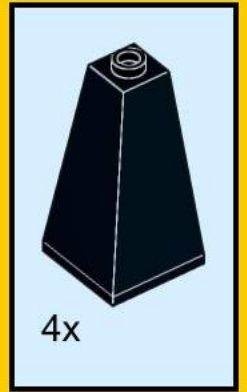
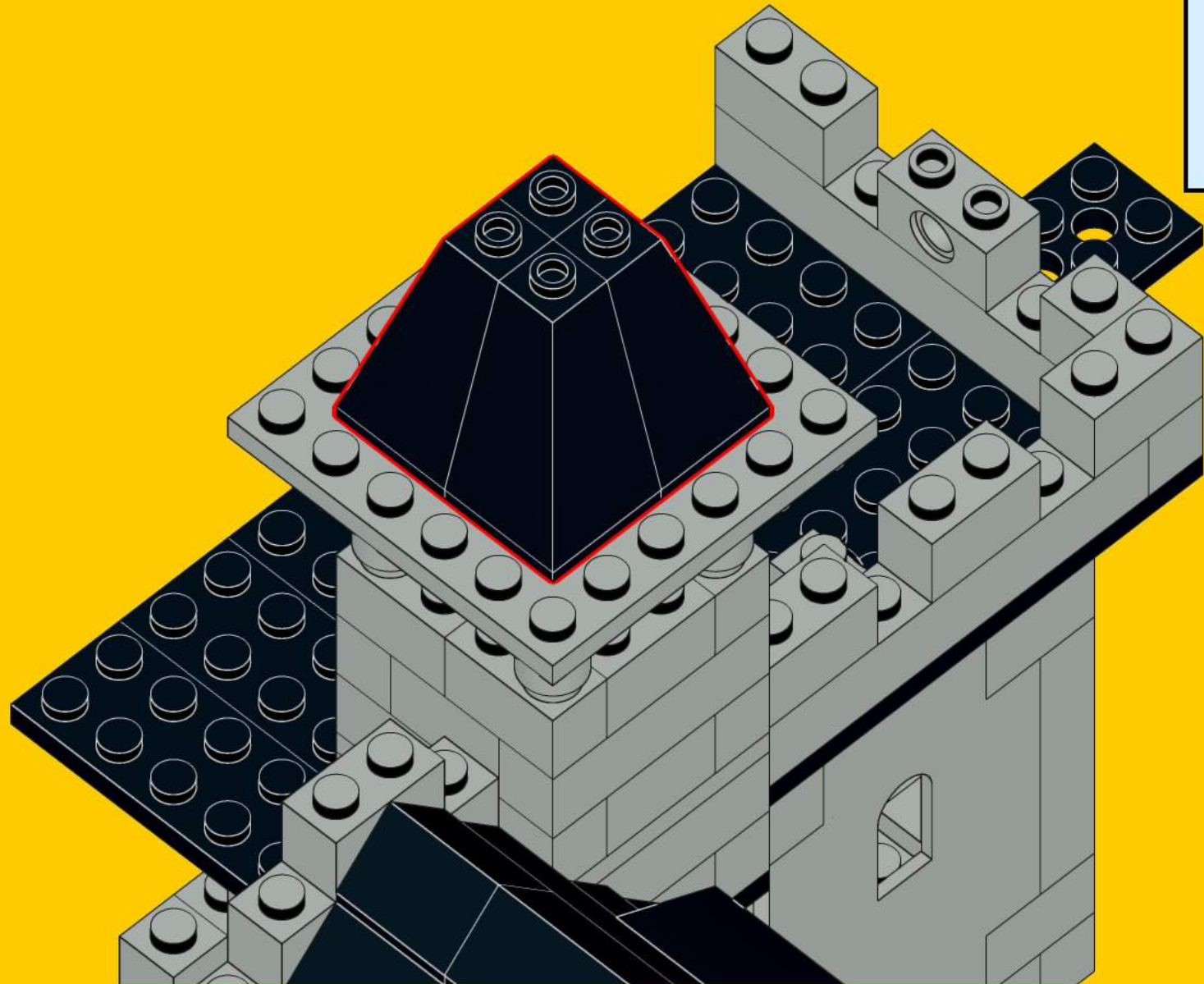




# 77

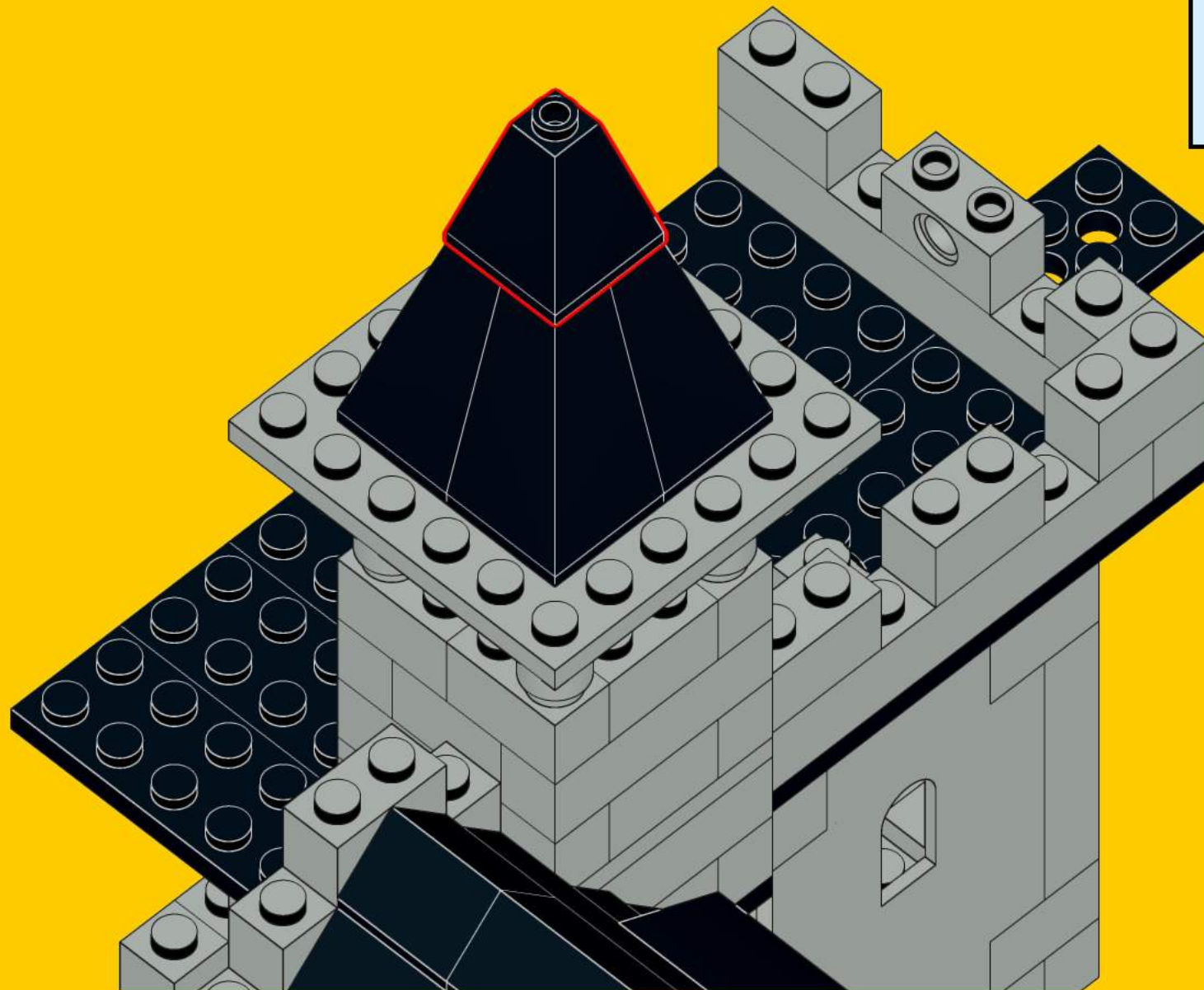


# 78

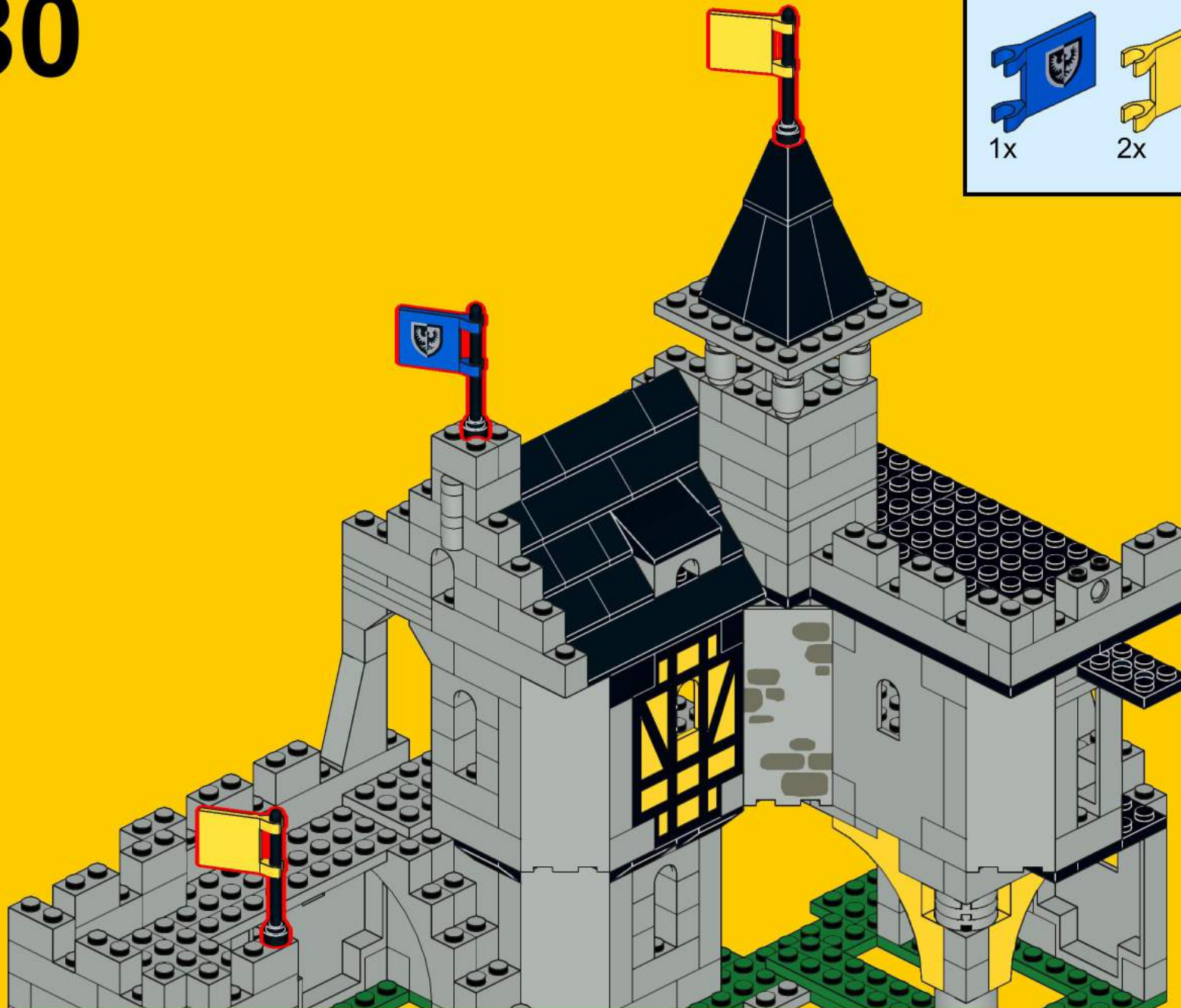
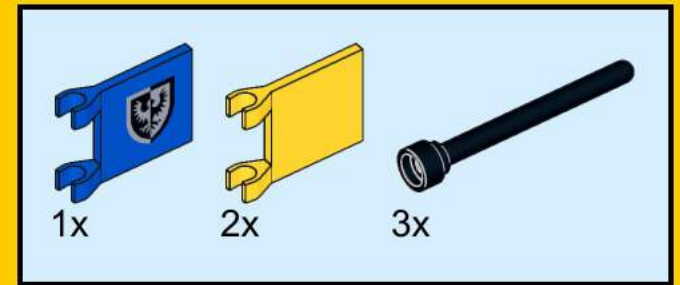




# 79

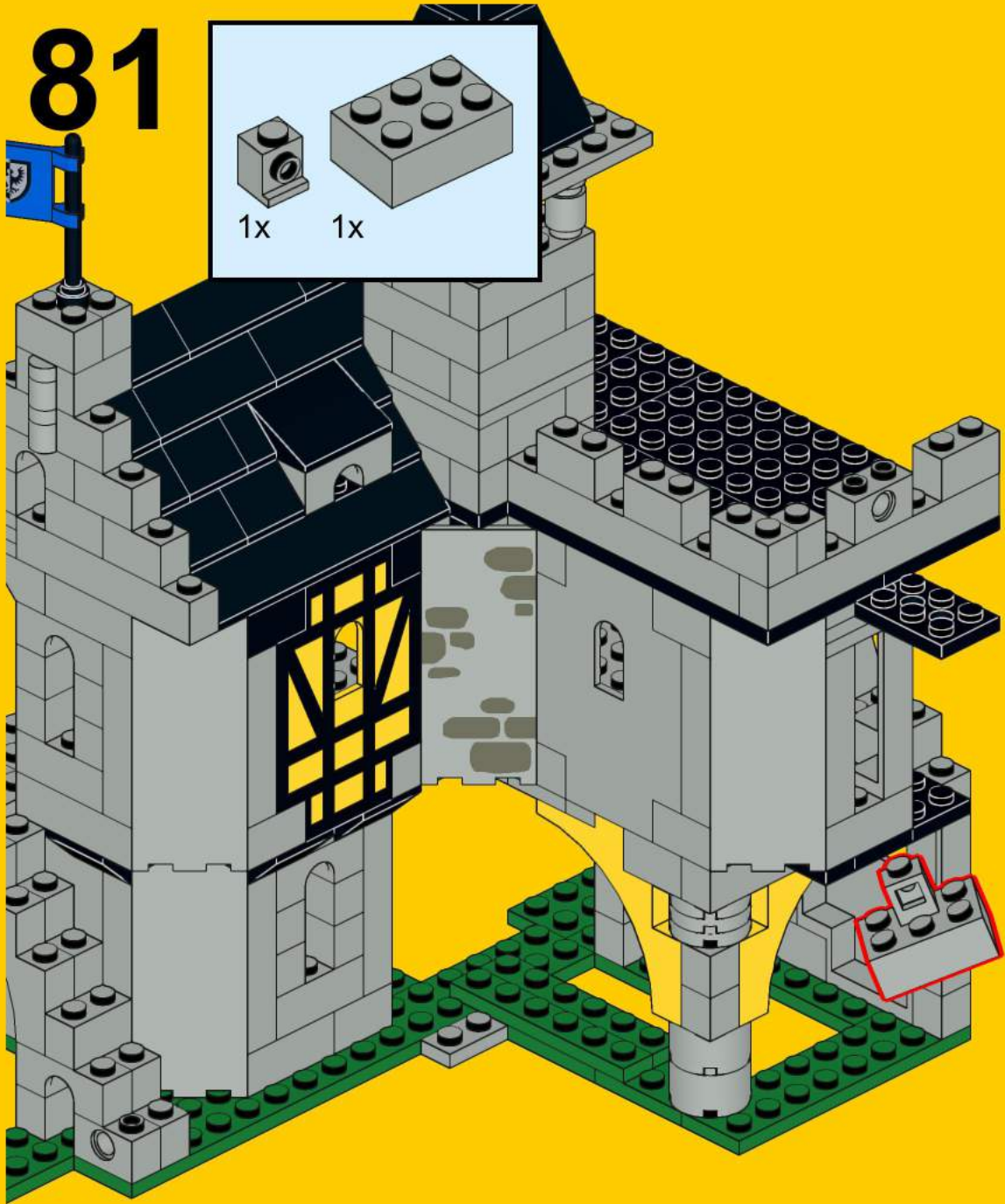


# 80





81



Add rope to the bricks



82



83



84

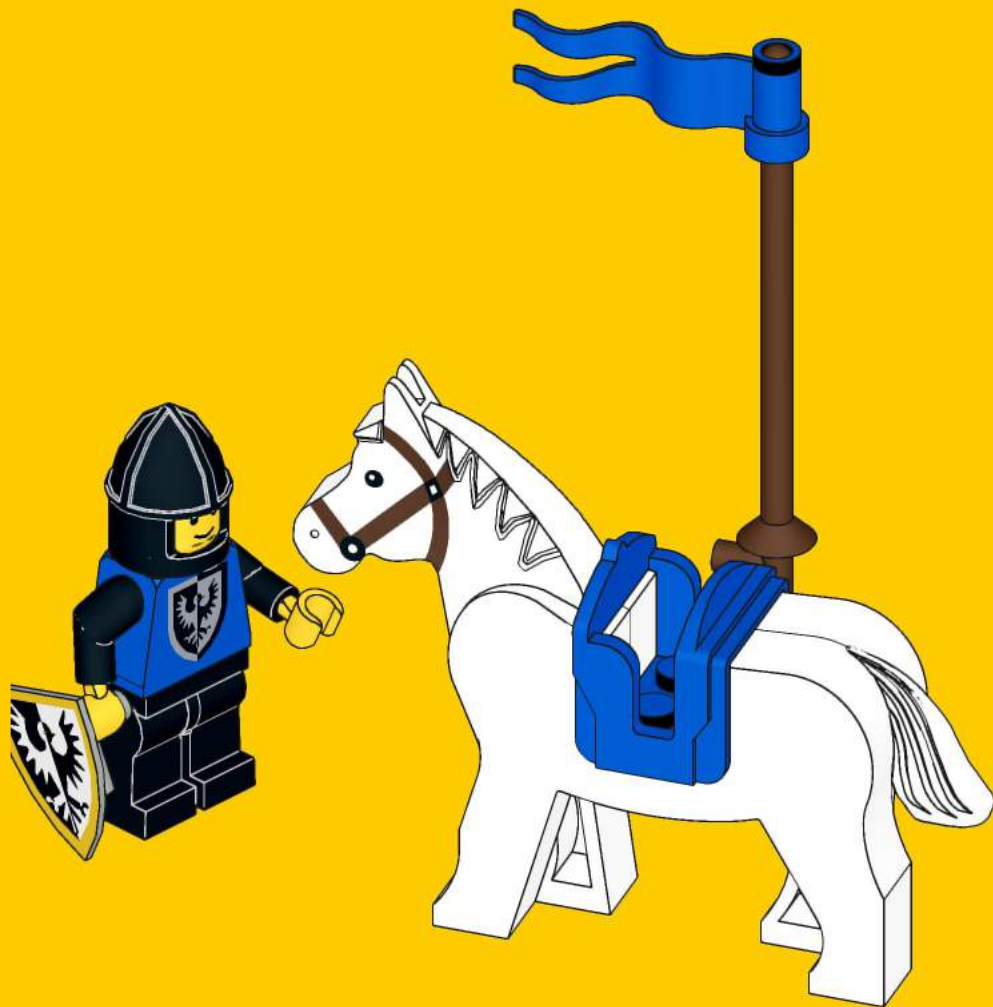


85





86



87



88

