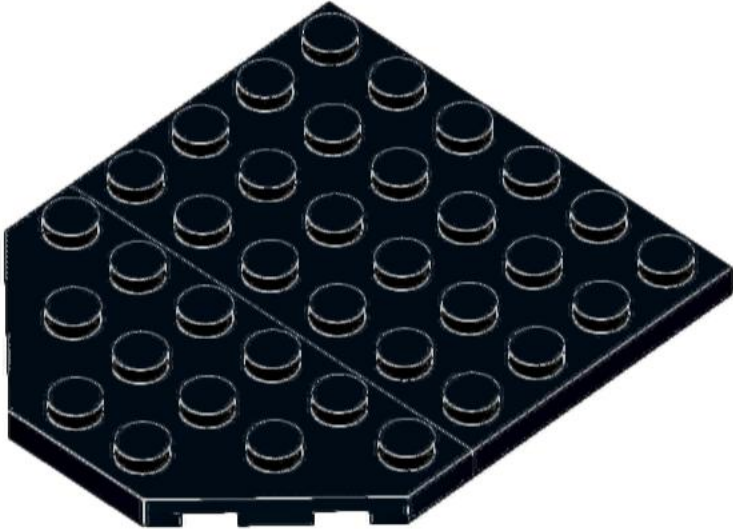
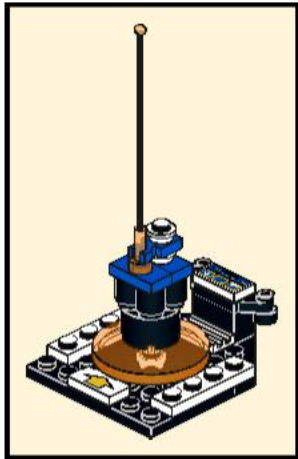
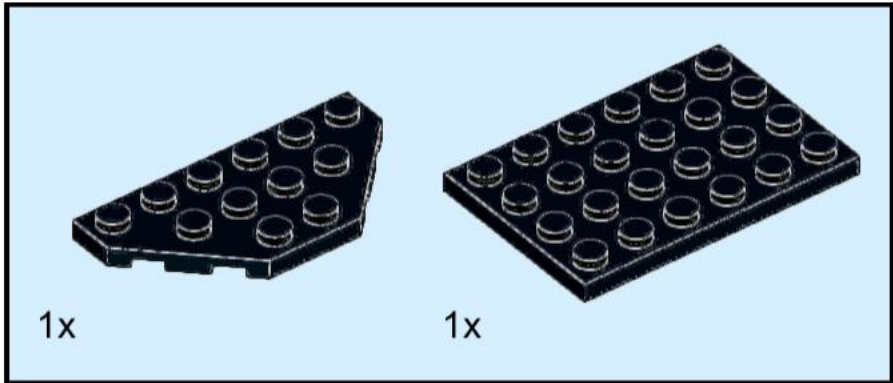


# 6834-C Sled and Station

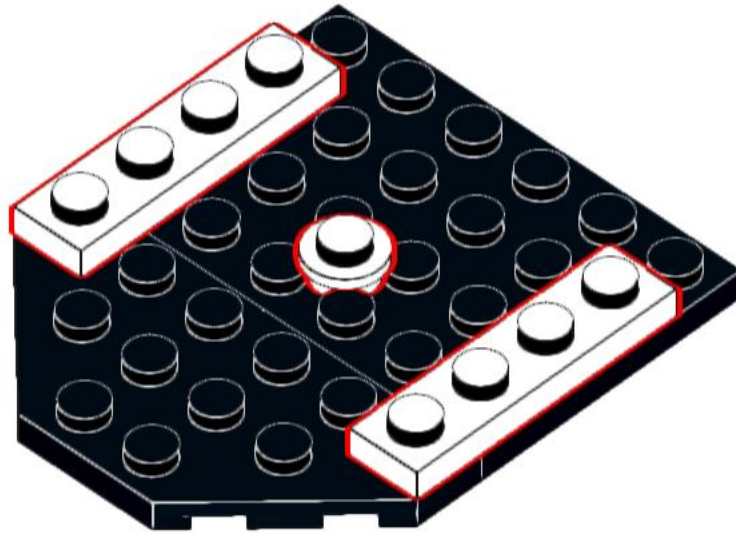
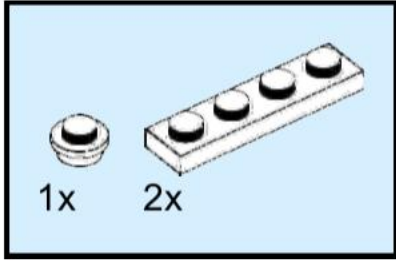


Original idea by Lego, on the 6834 box.  
Instructions by IceAge2002  
For more see:  
[www.backoftheboxbuilds.com](http://www.backoftheboxbuilds.com)

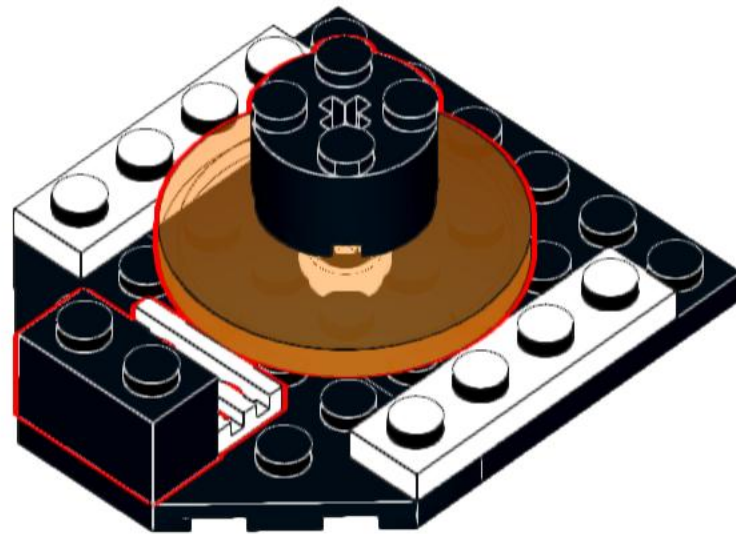
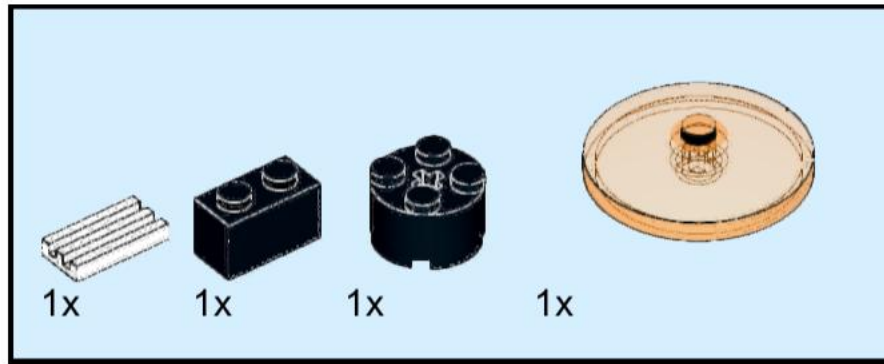
1



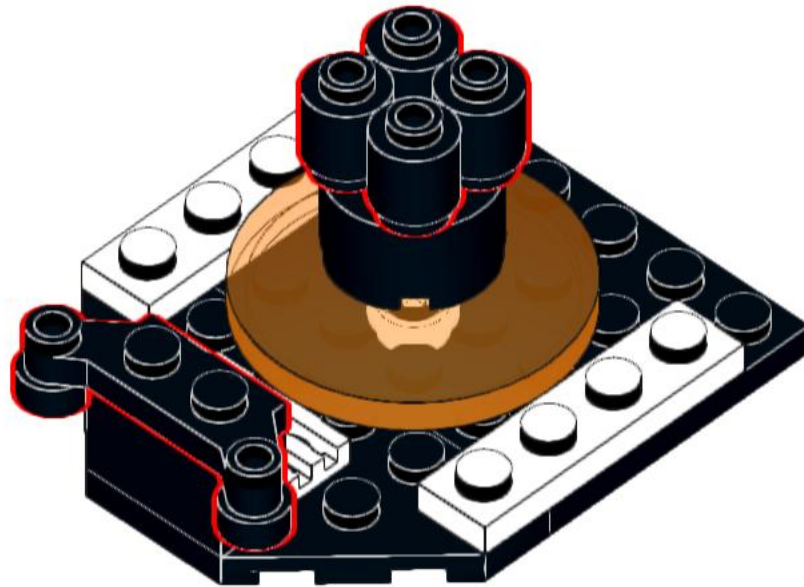
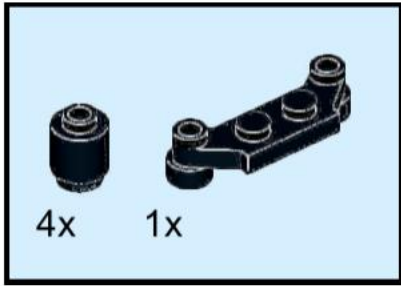
2



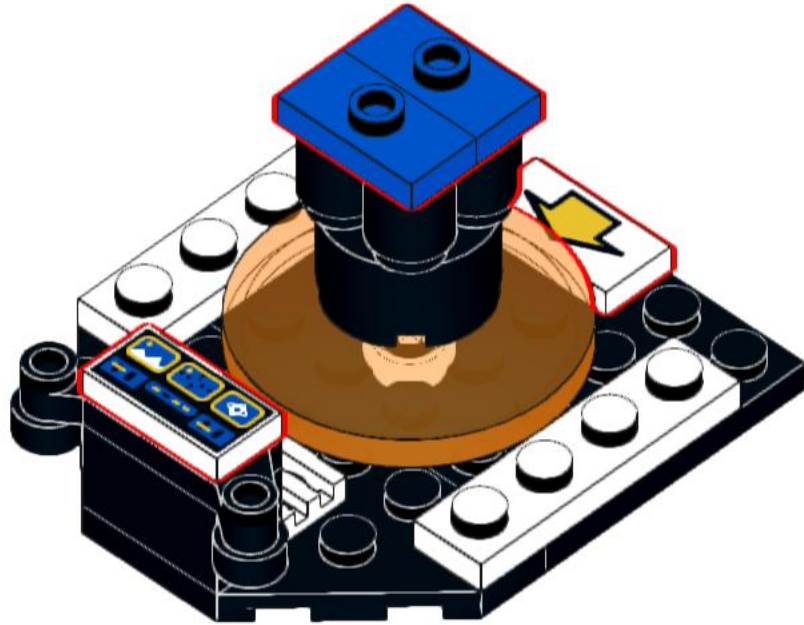
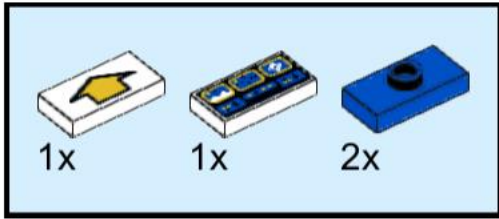
# 3



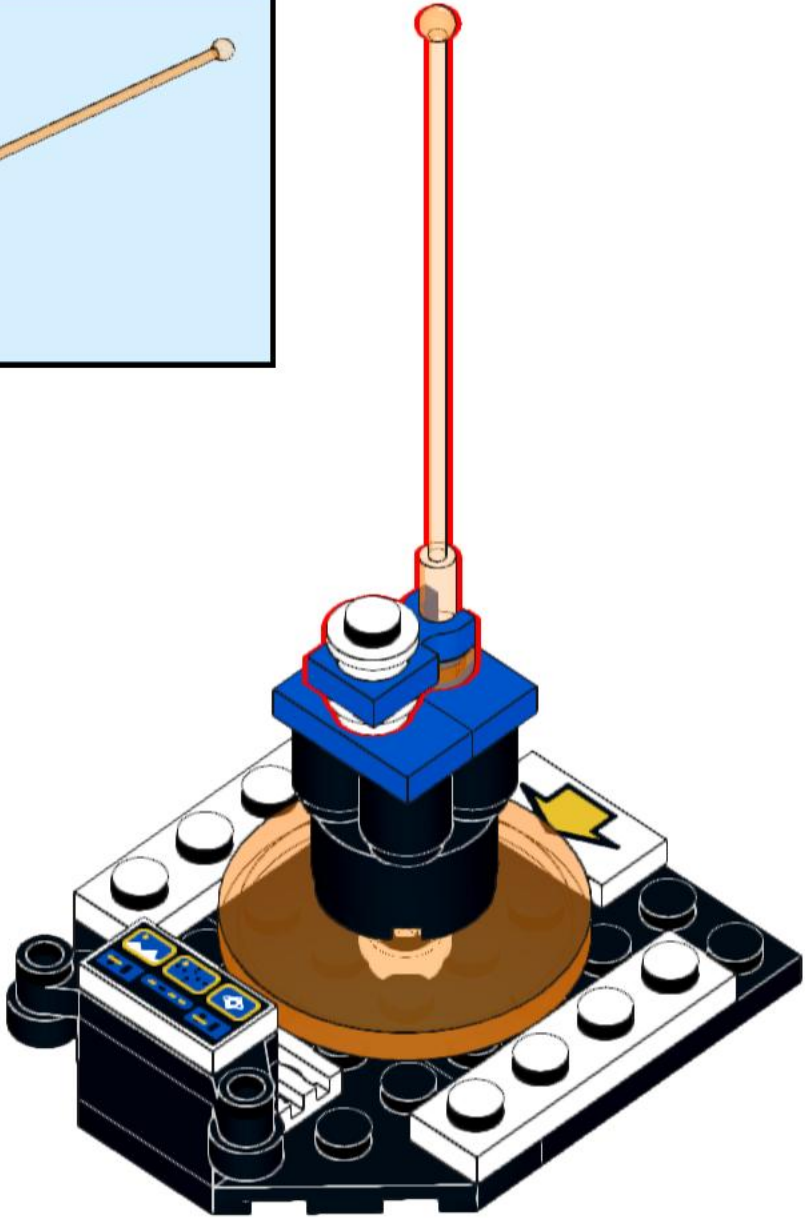
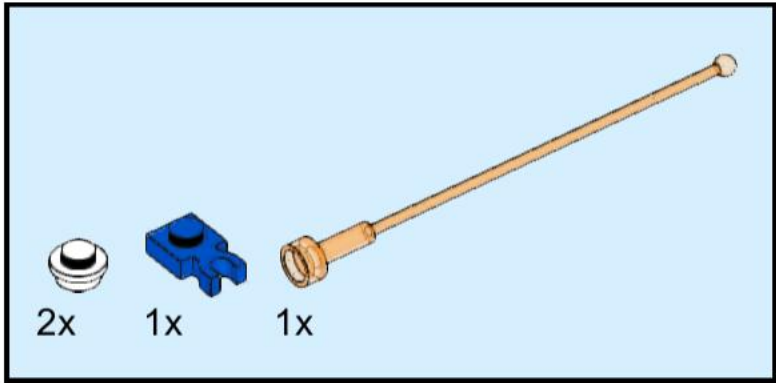
4



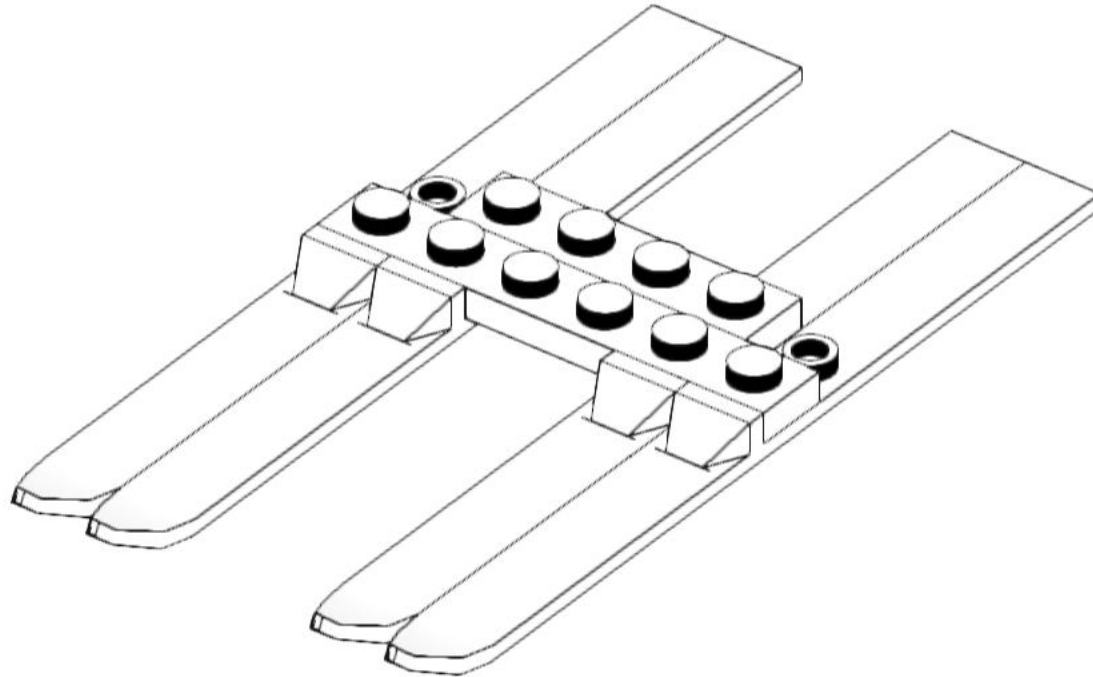
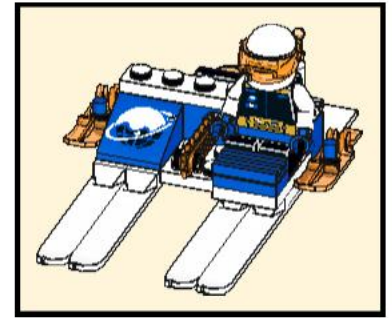
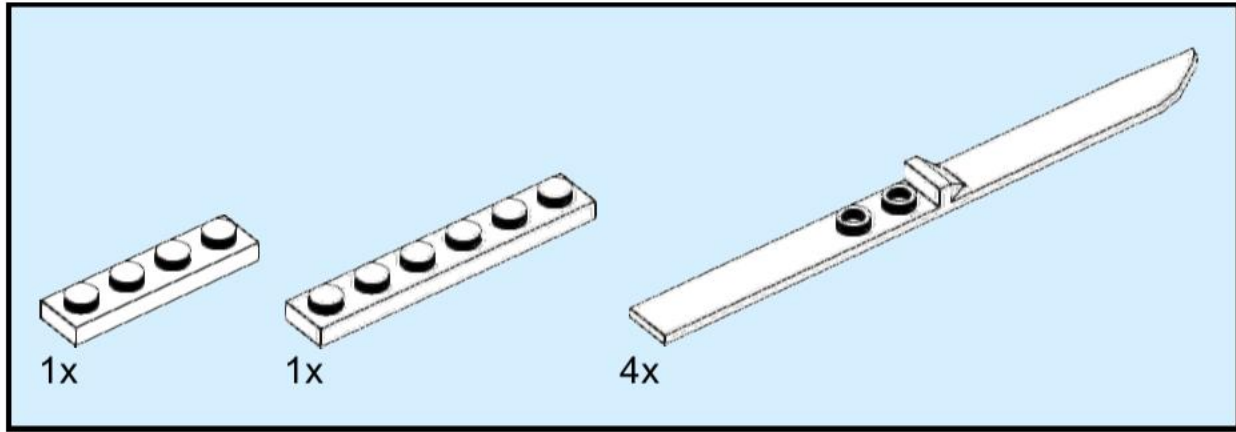
5



6

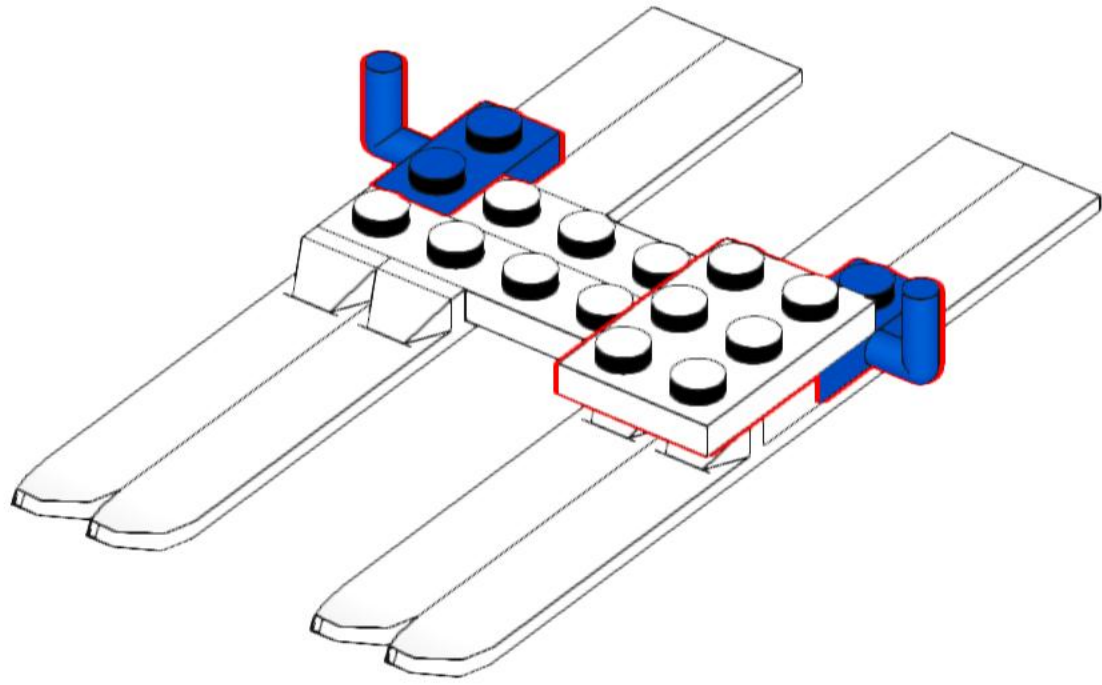
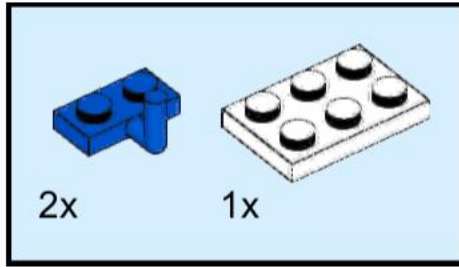


# 7

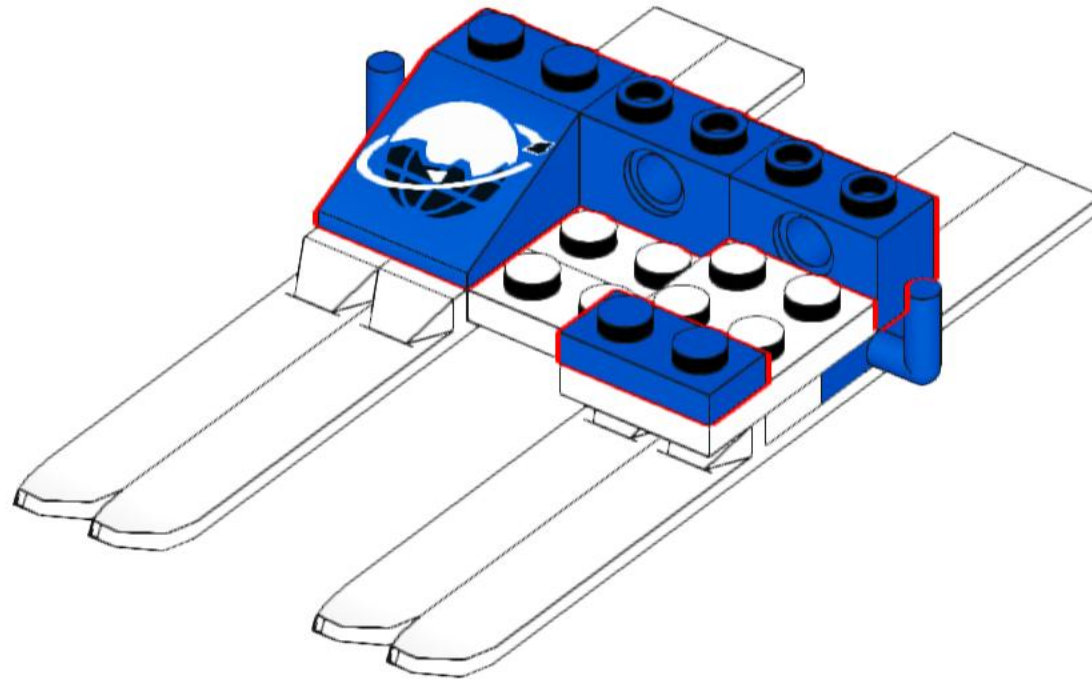
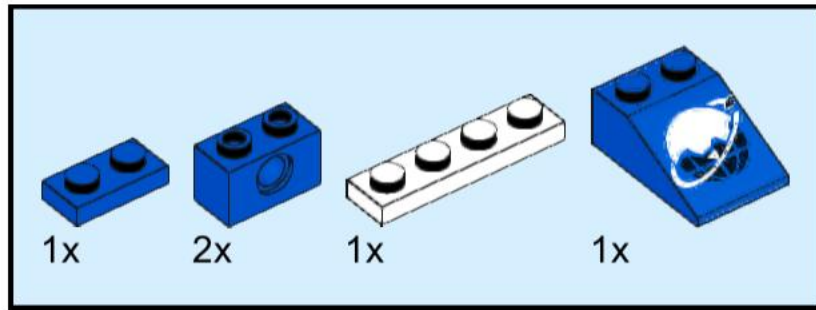




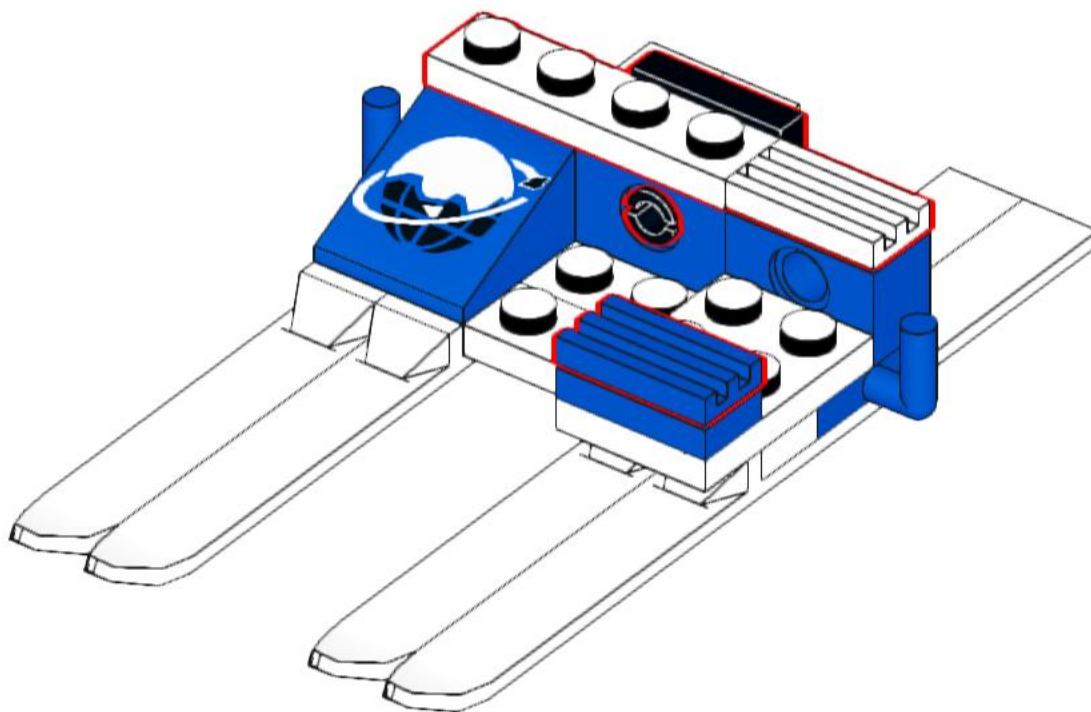
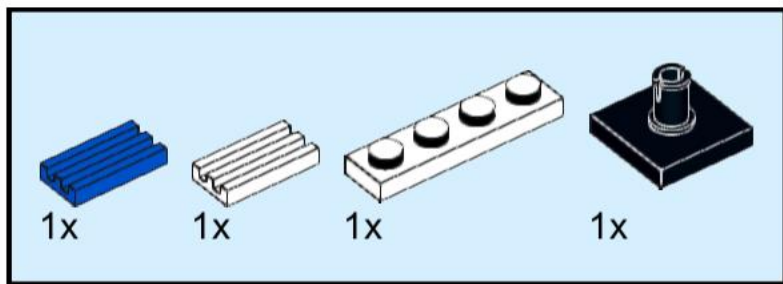
8



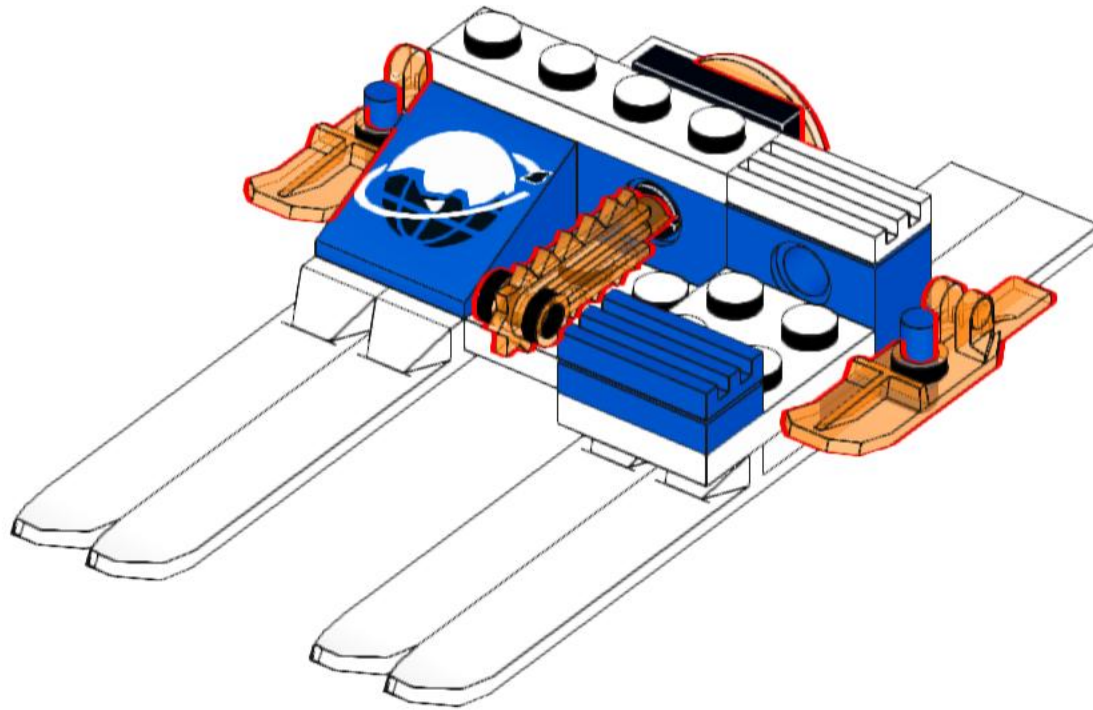
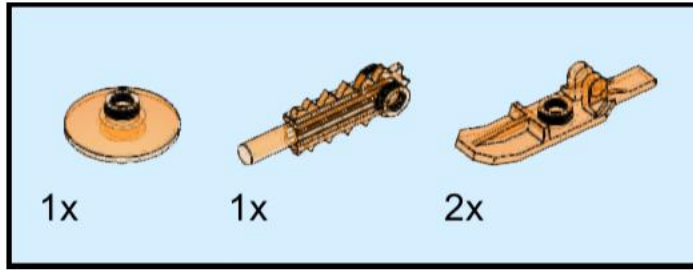
# 9



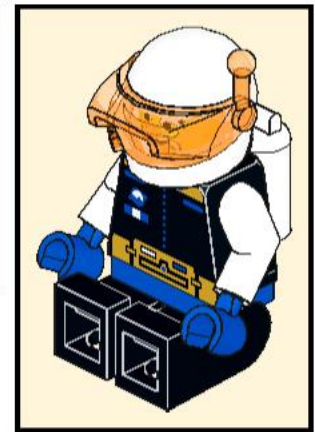
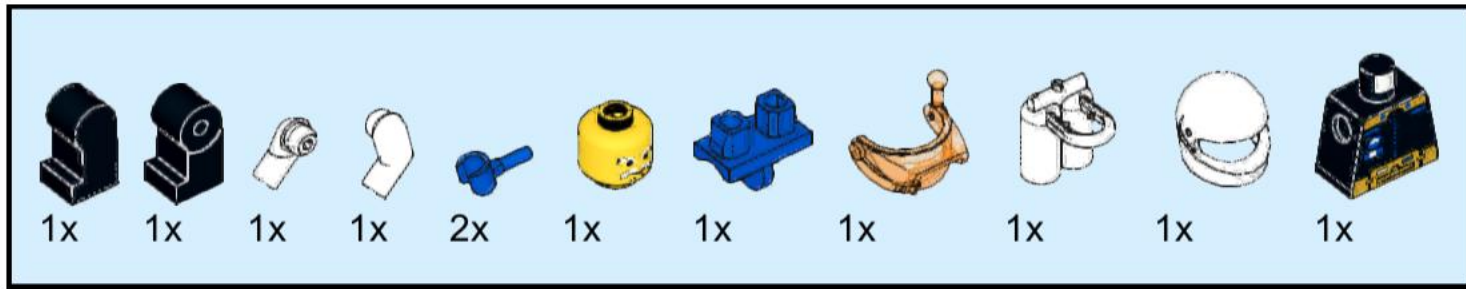
# 10



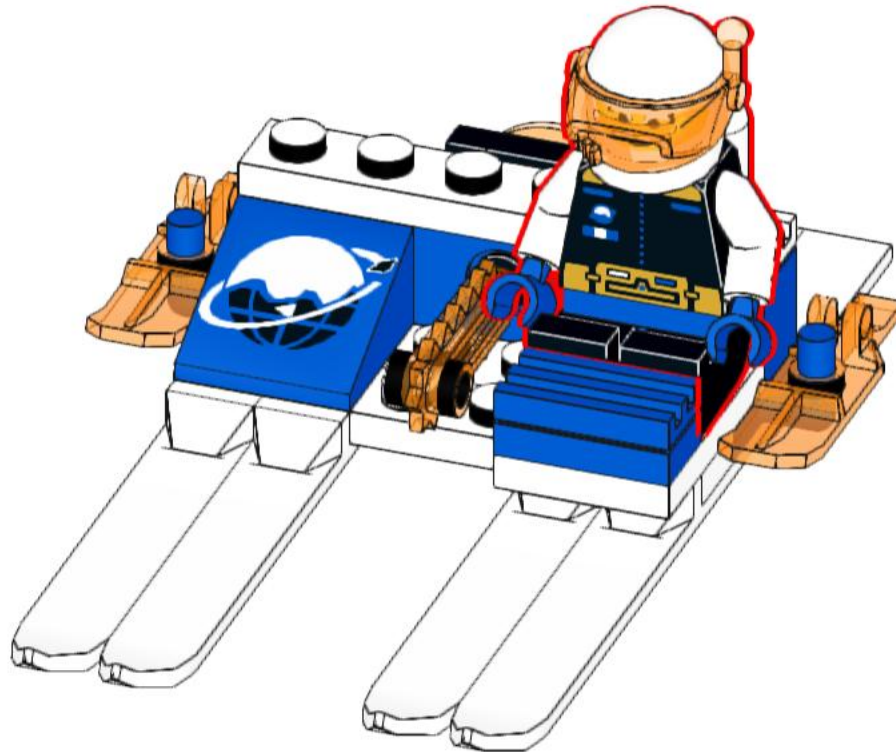
# 11



# 12



13



# 14

