

1



2



3



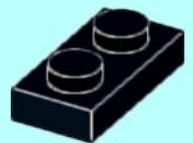
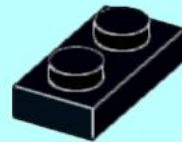
4



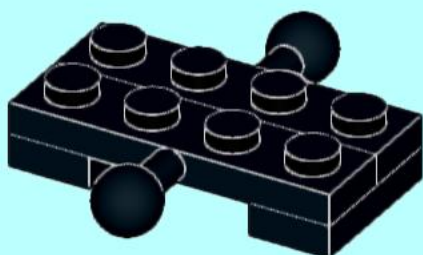
5



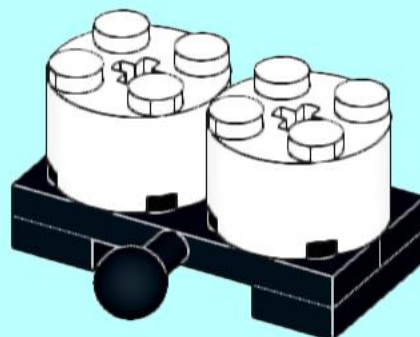
6



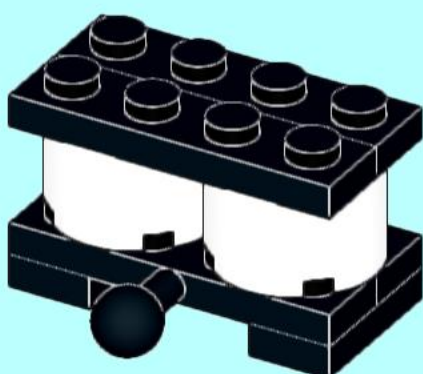
7



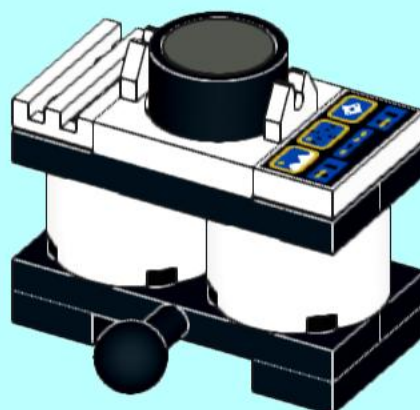
8



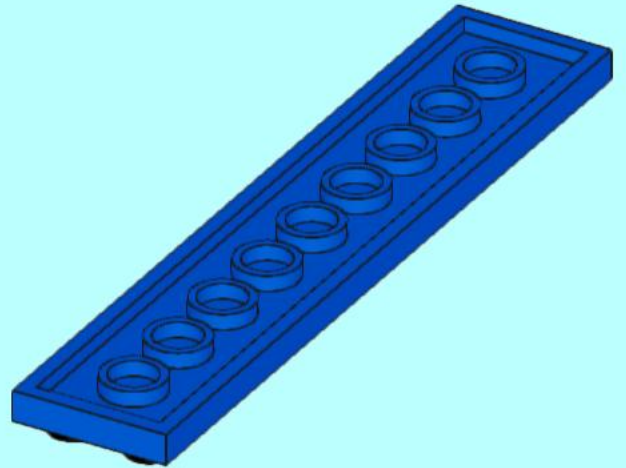
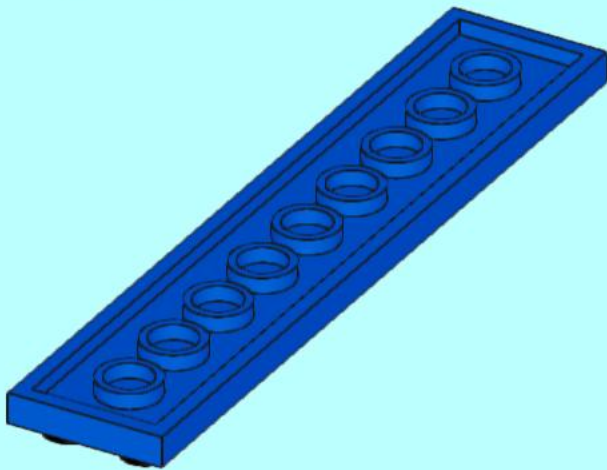
9



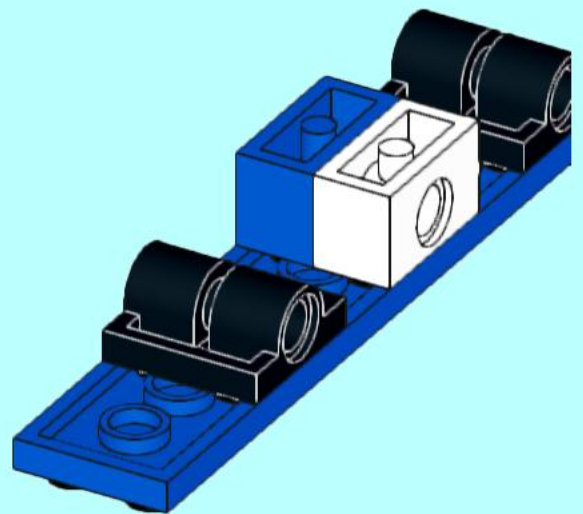
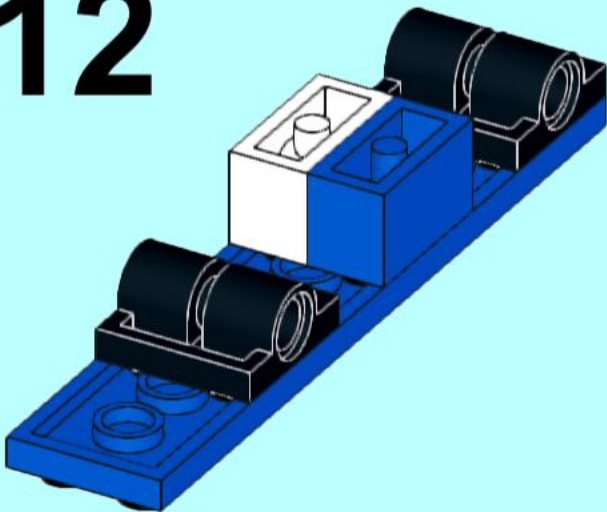
10



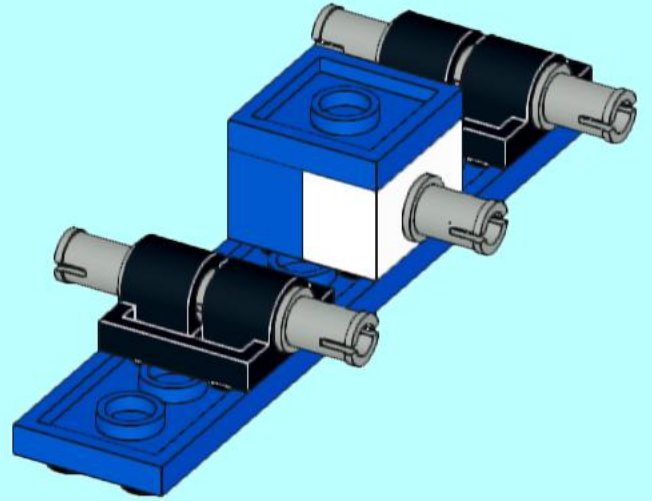
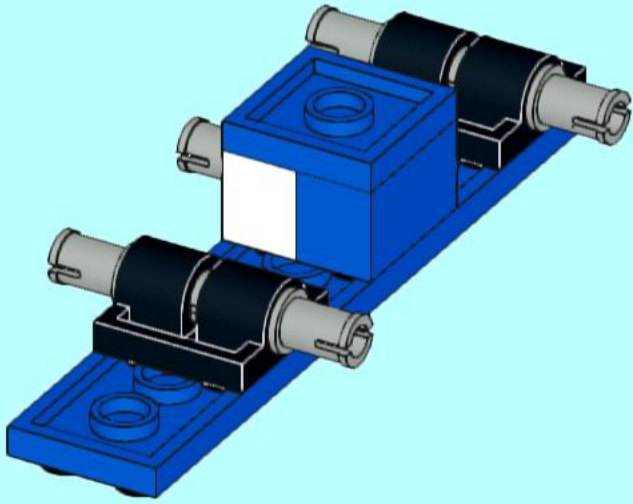
# 11



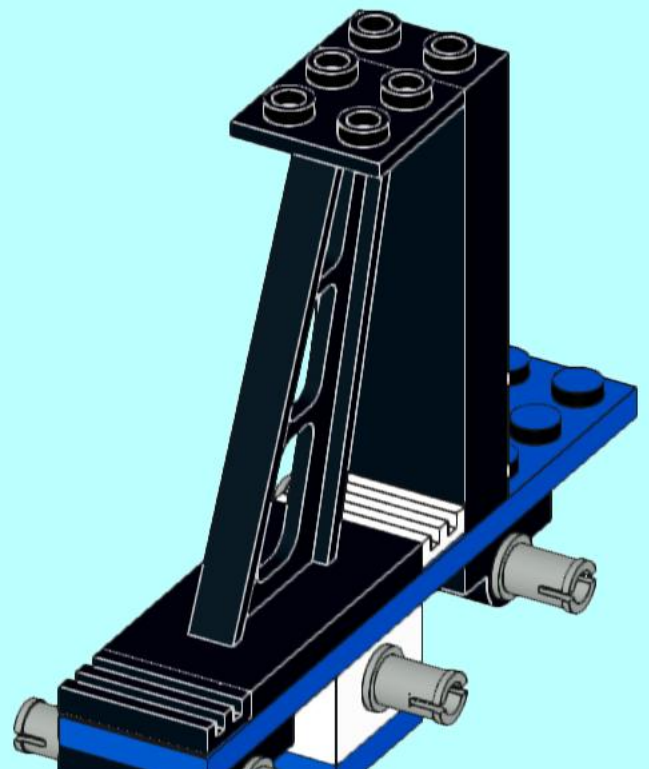
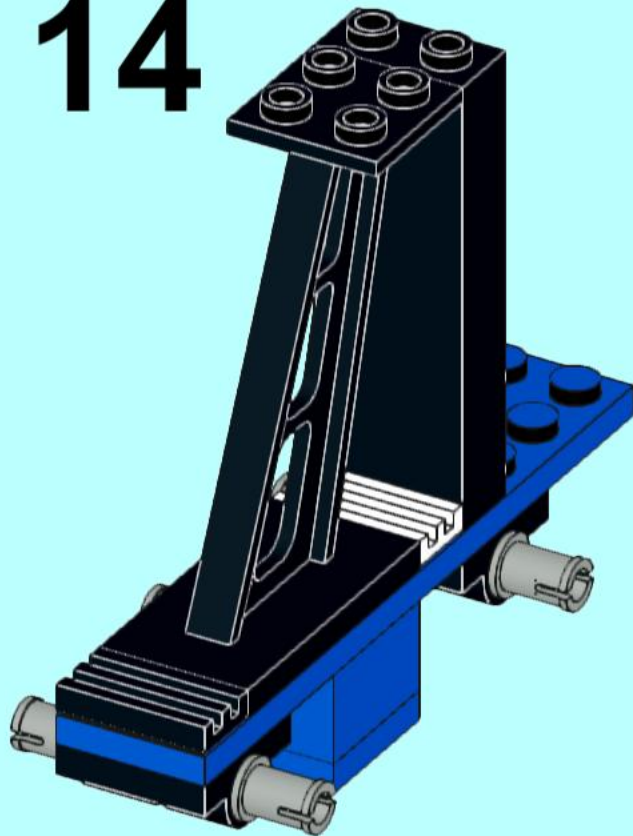
# 12



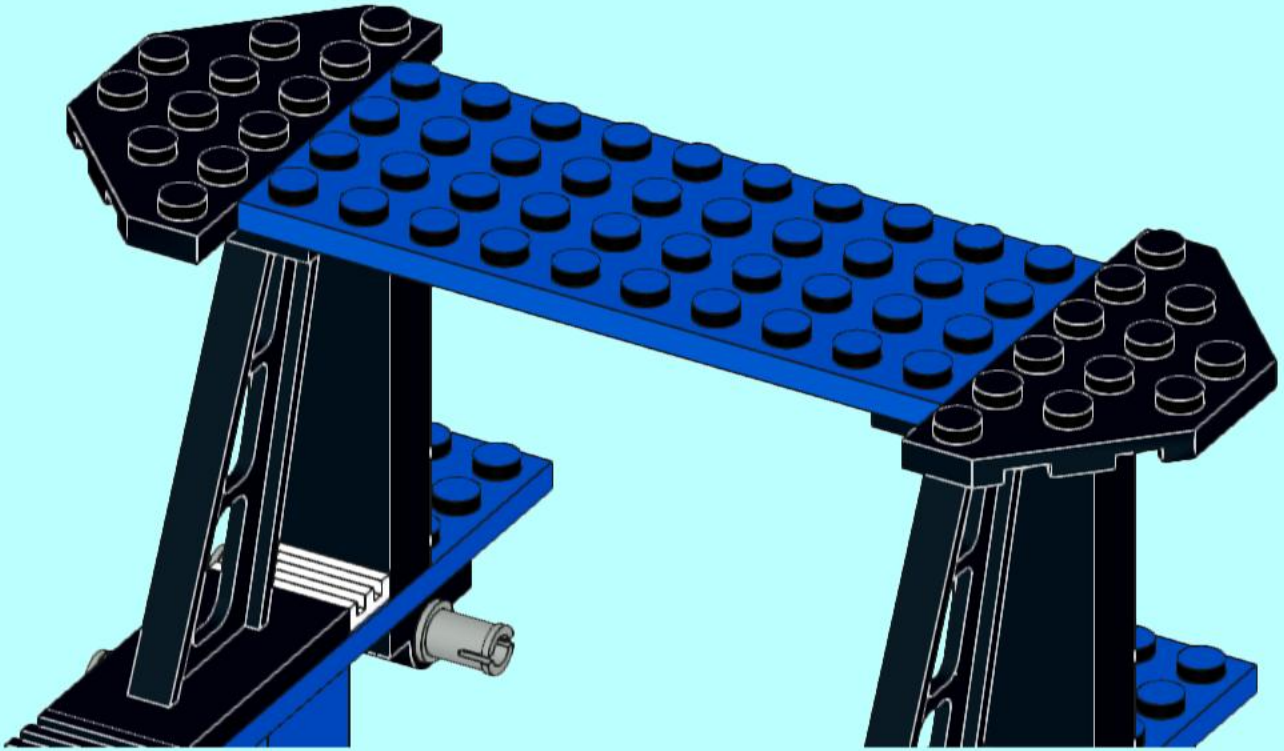
# 13



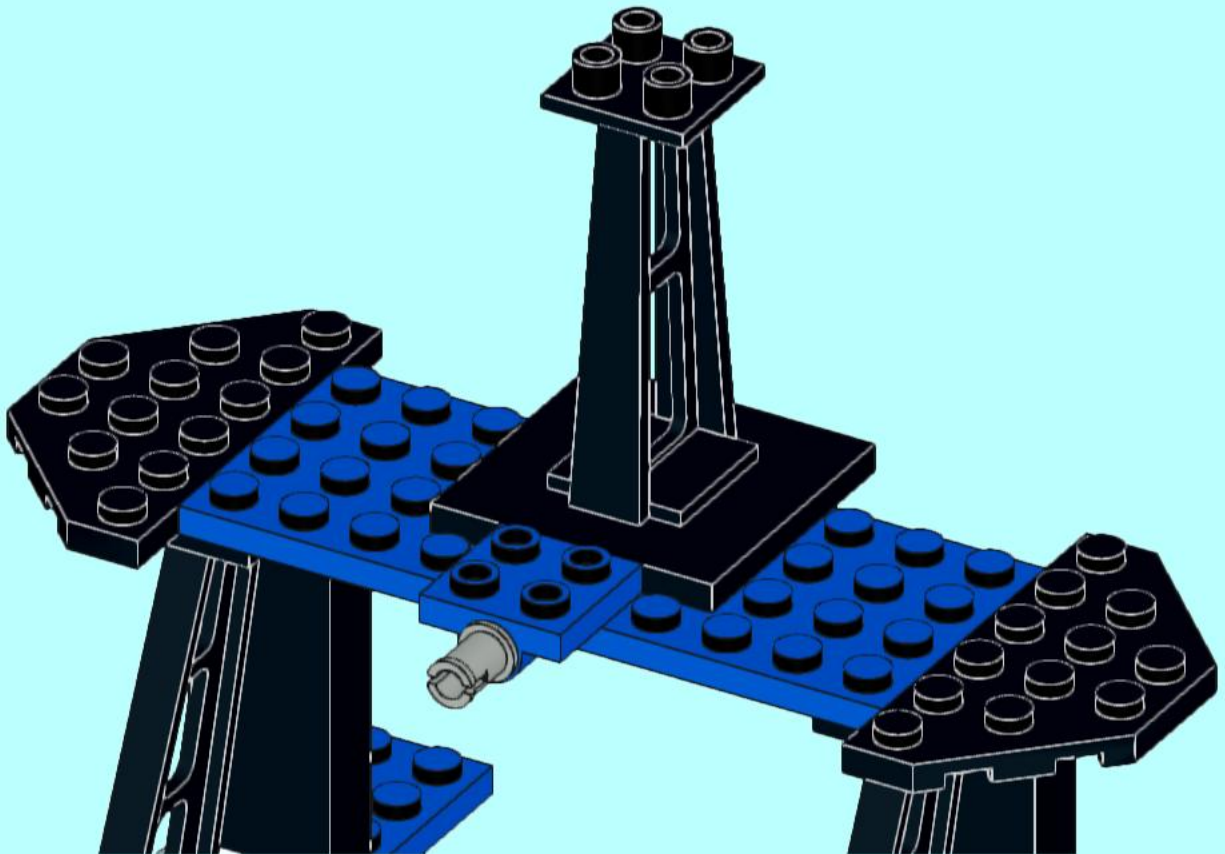
# 14



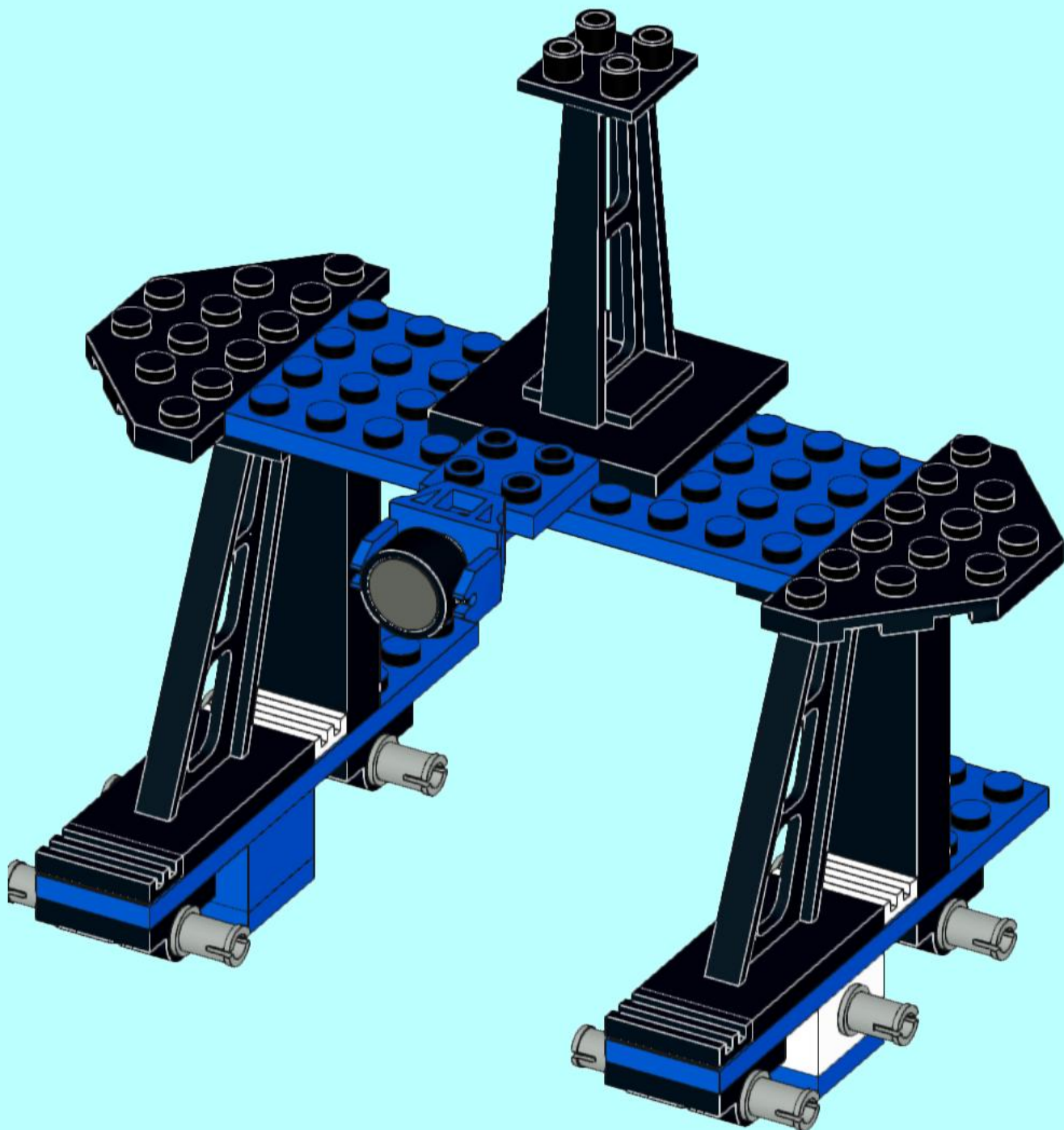
# 15



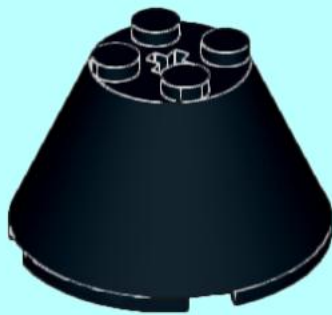
# 16



# 17



18



19

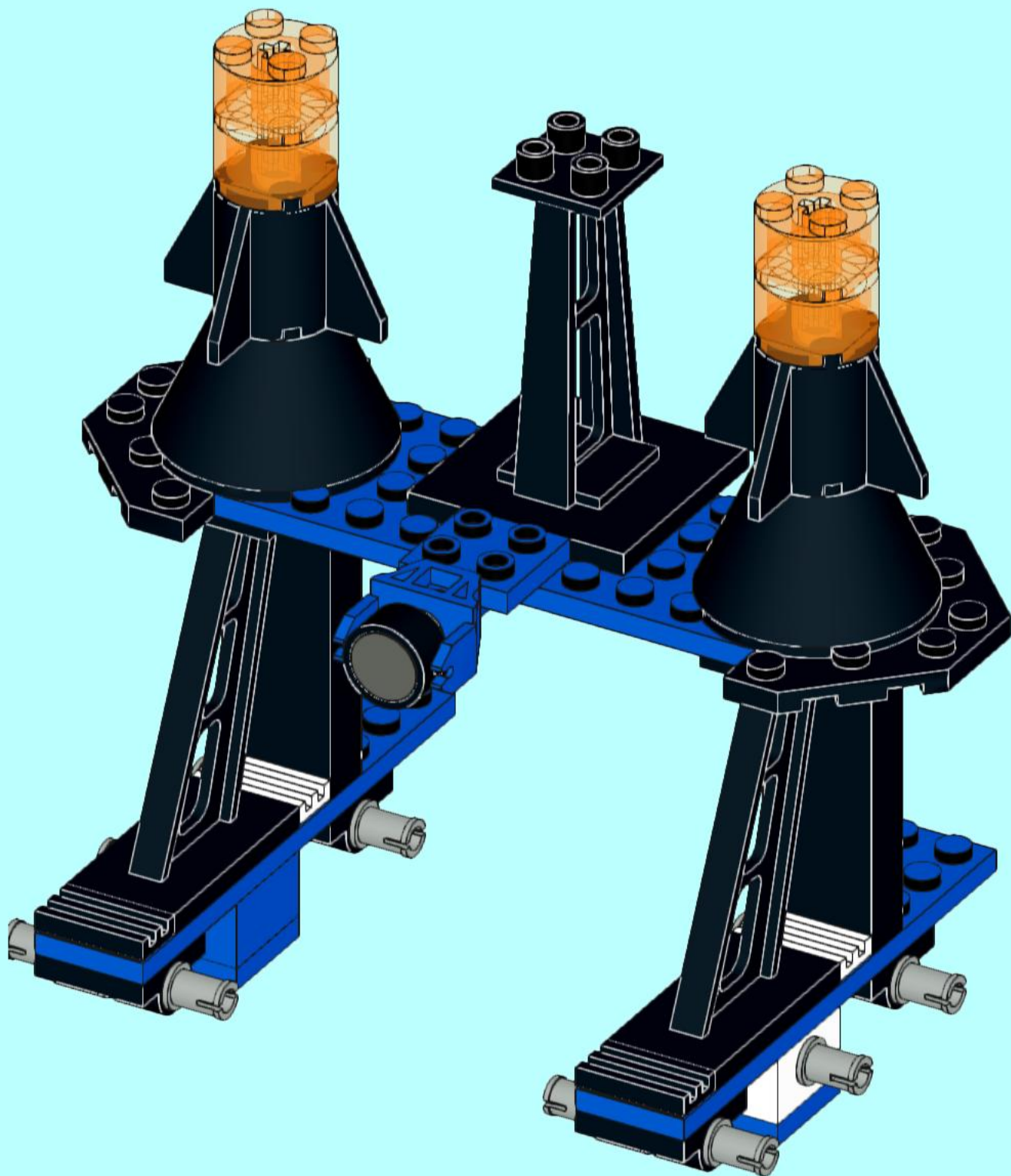


20



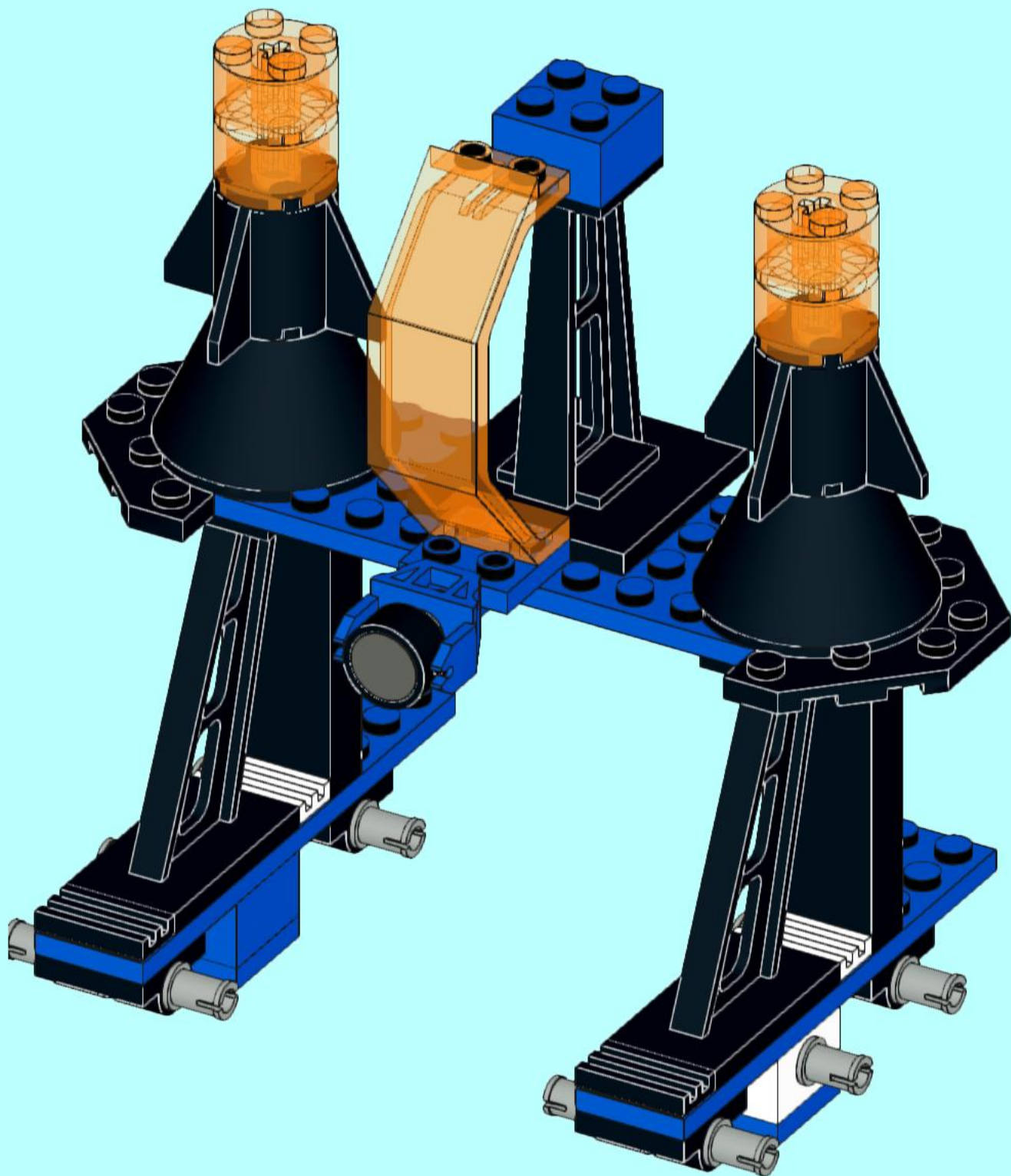
2x

# 21

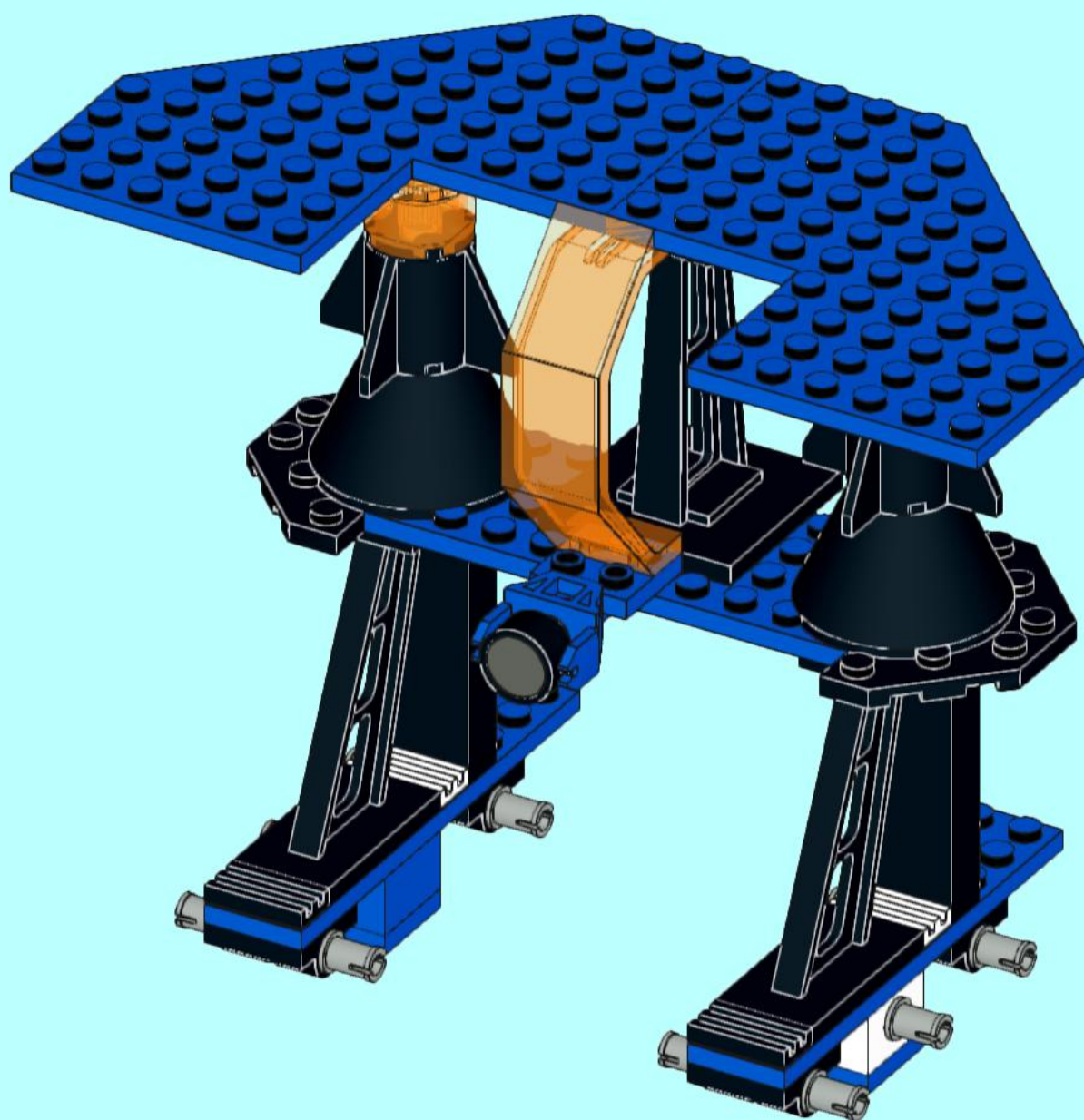


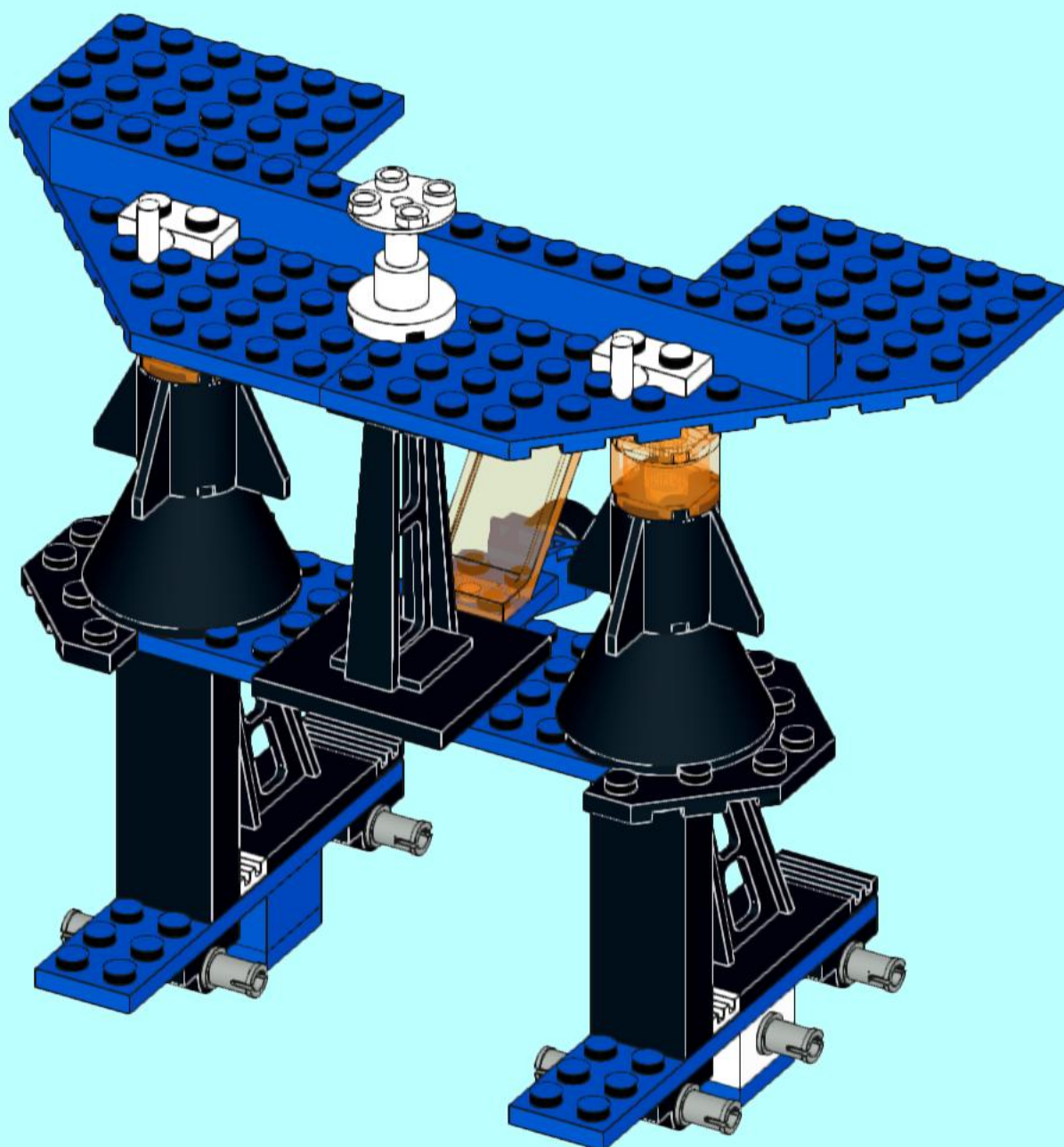


22

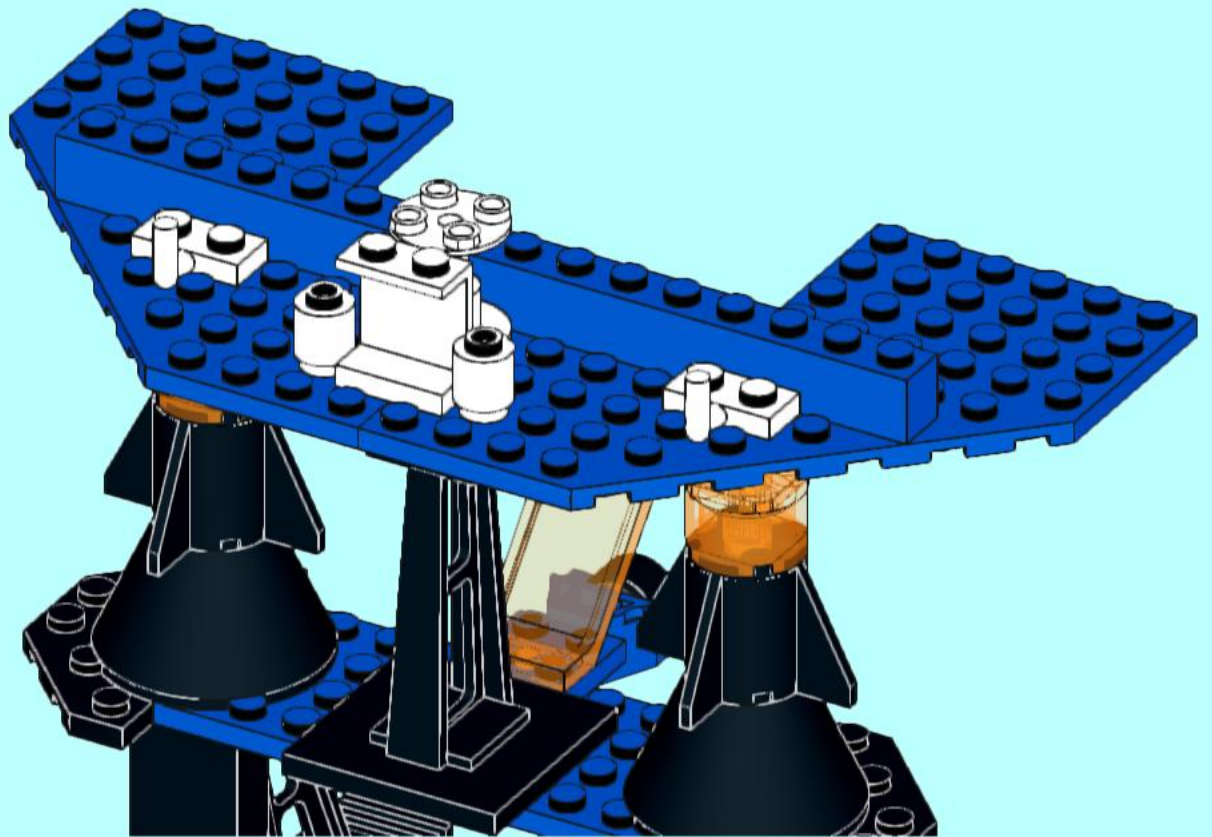


# 23

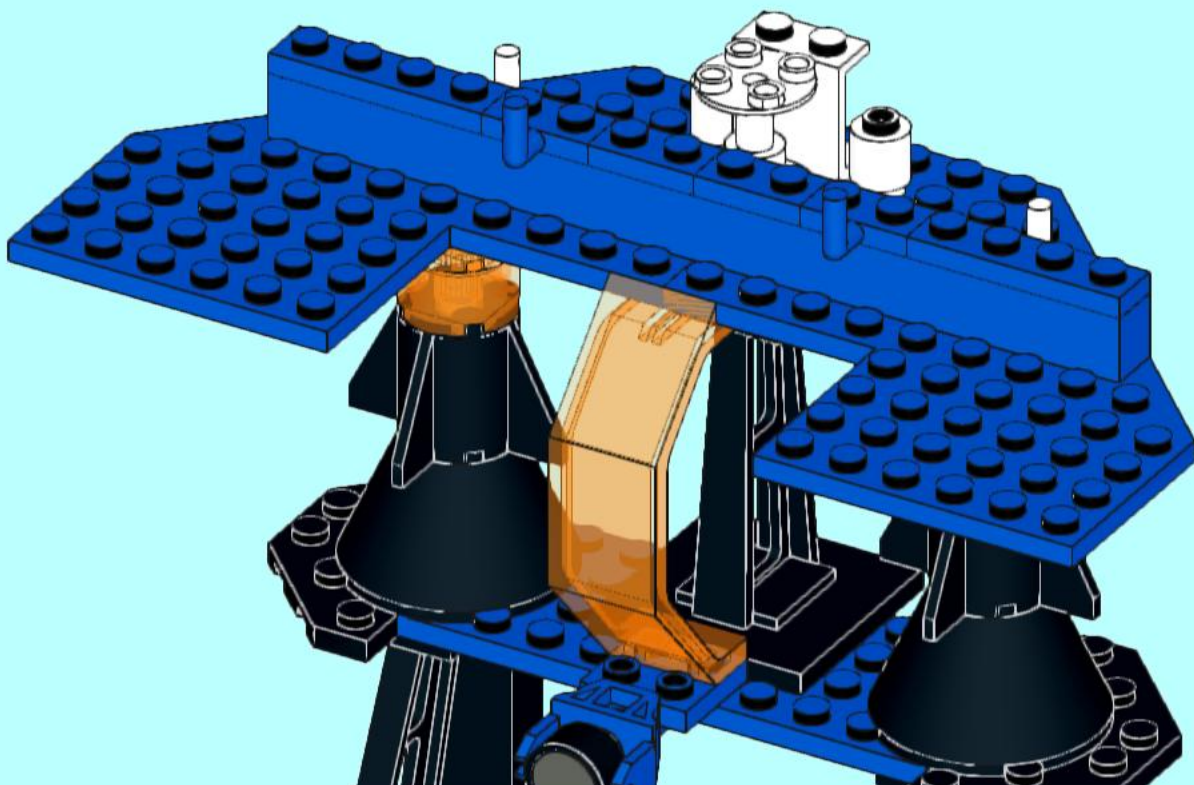




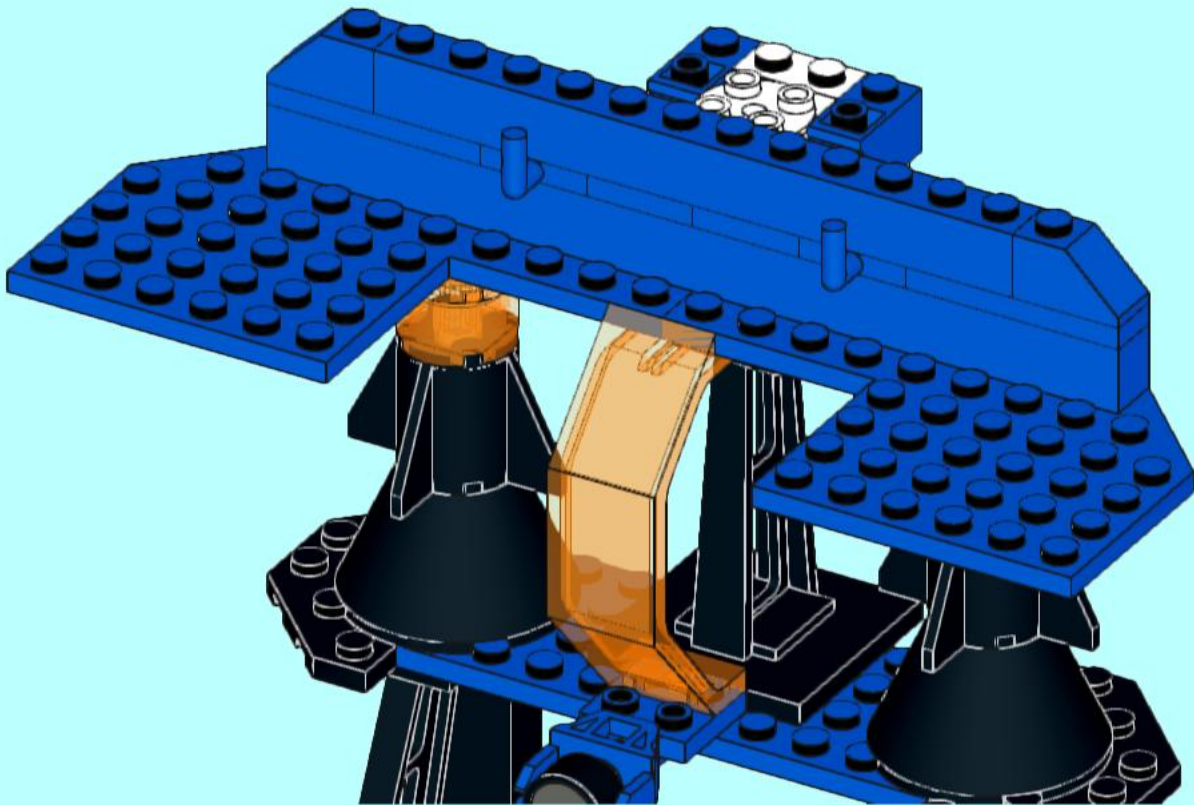
# 25



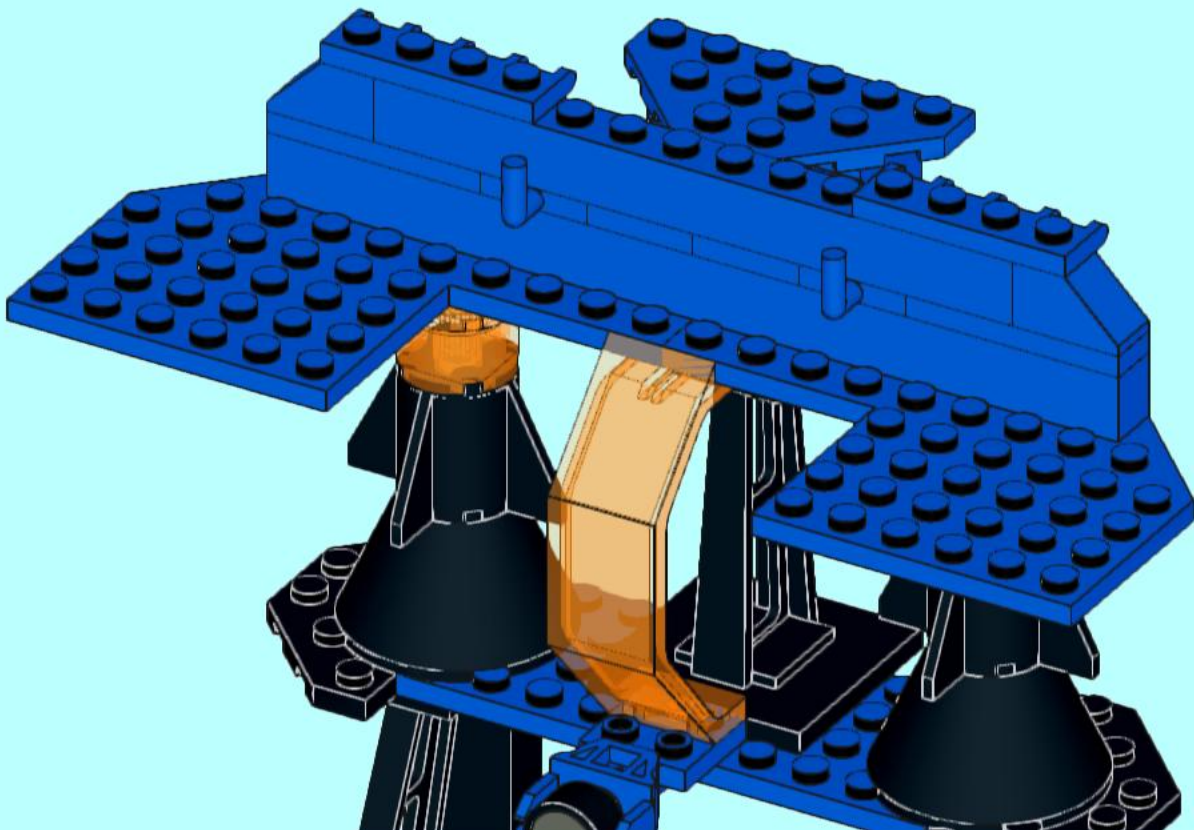
# 26



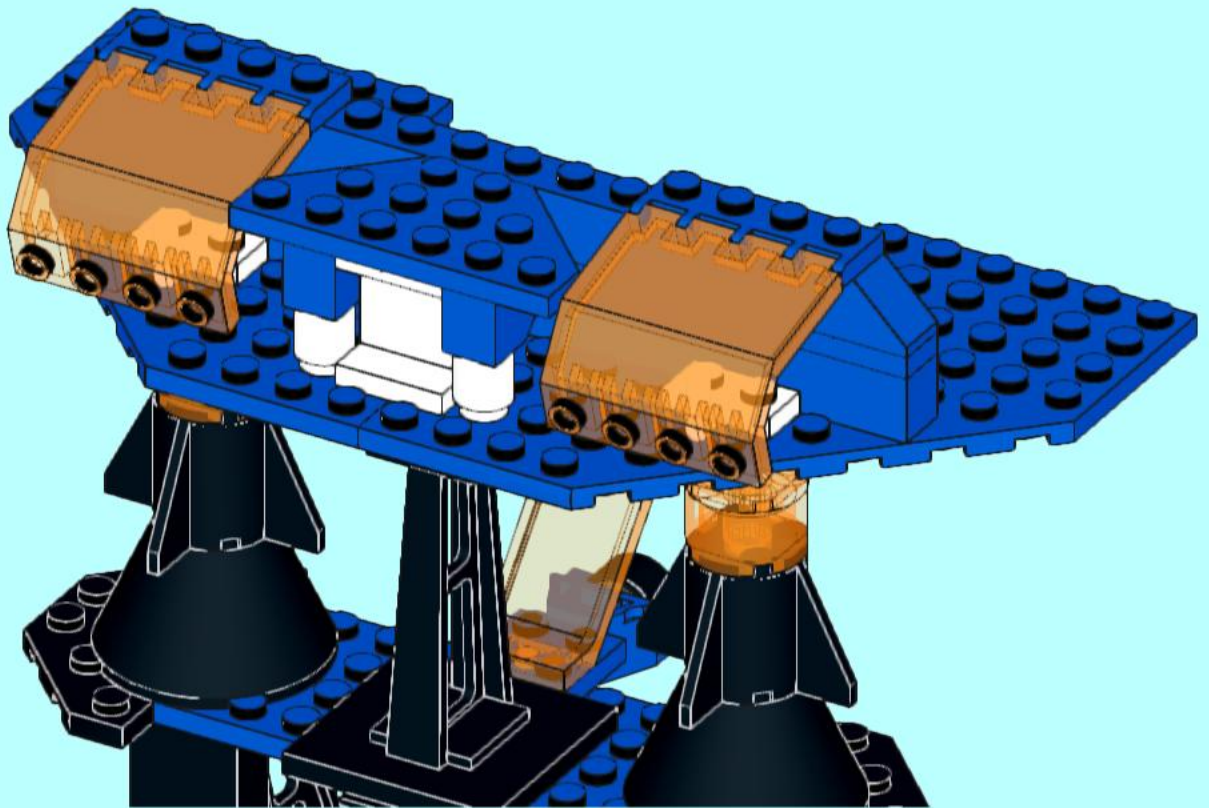
# 27



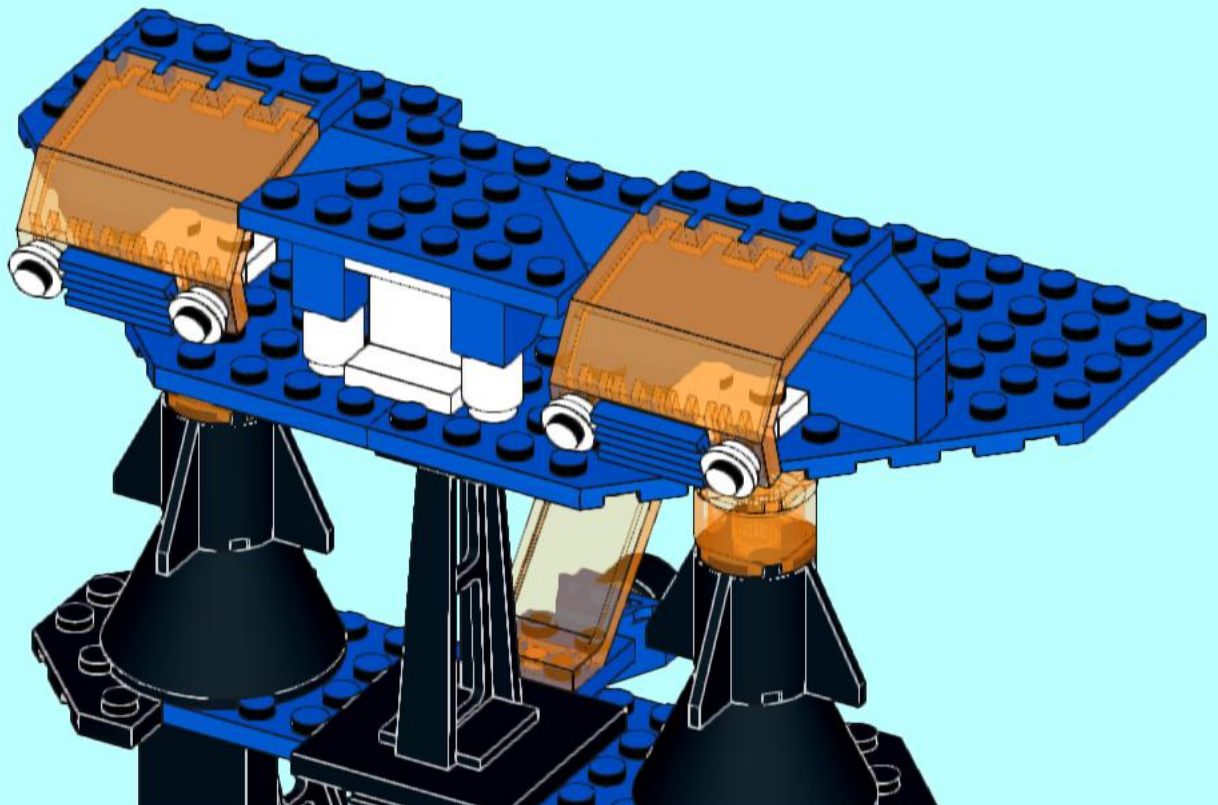
# 28



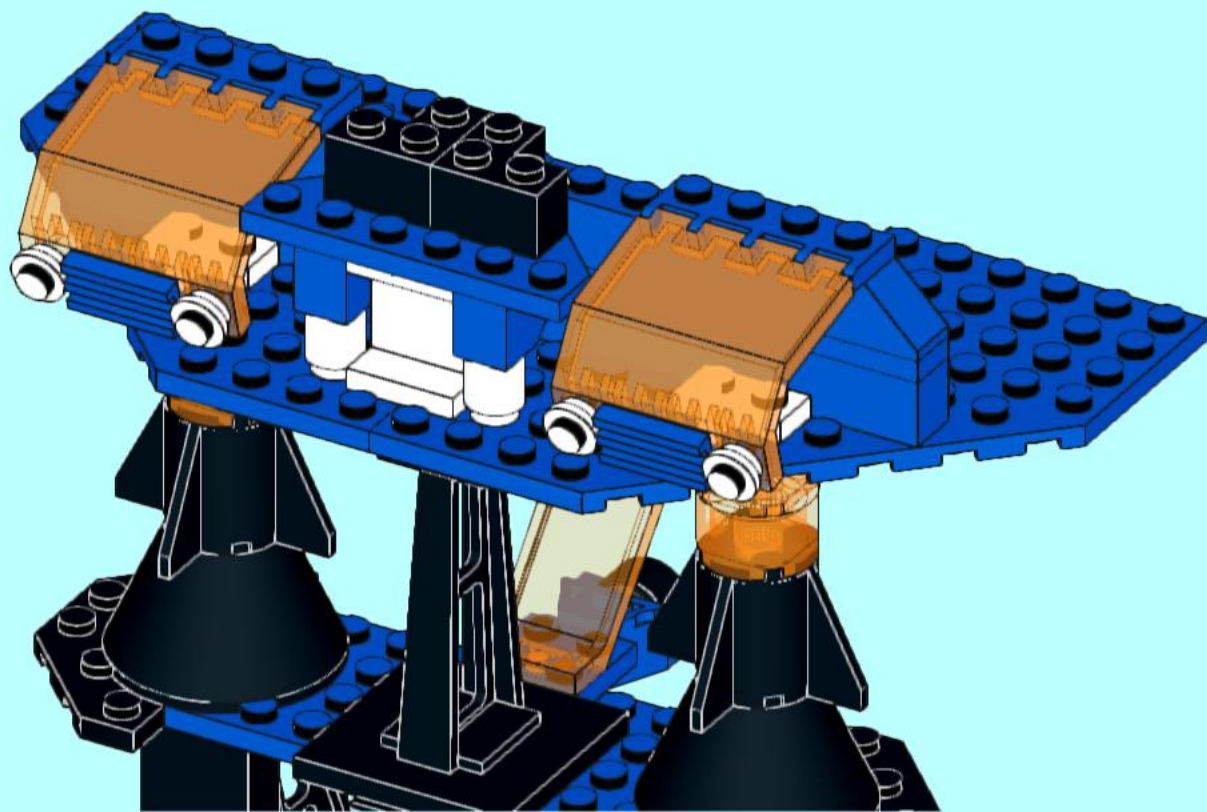
# 29



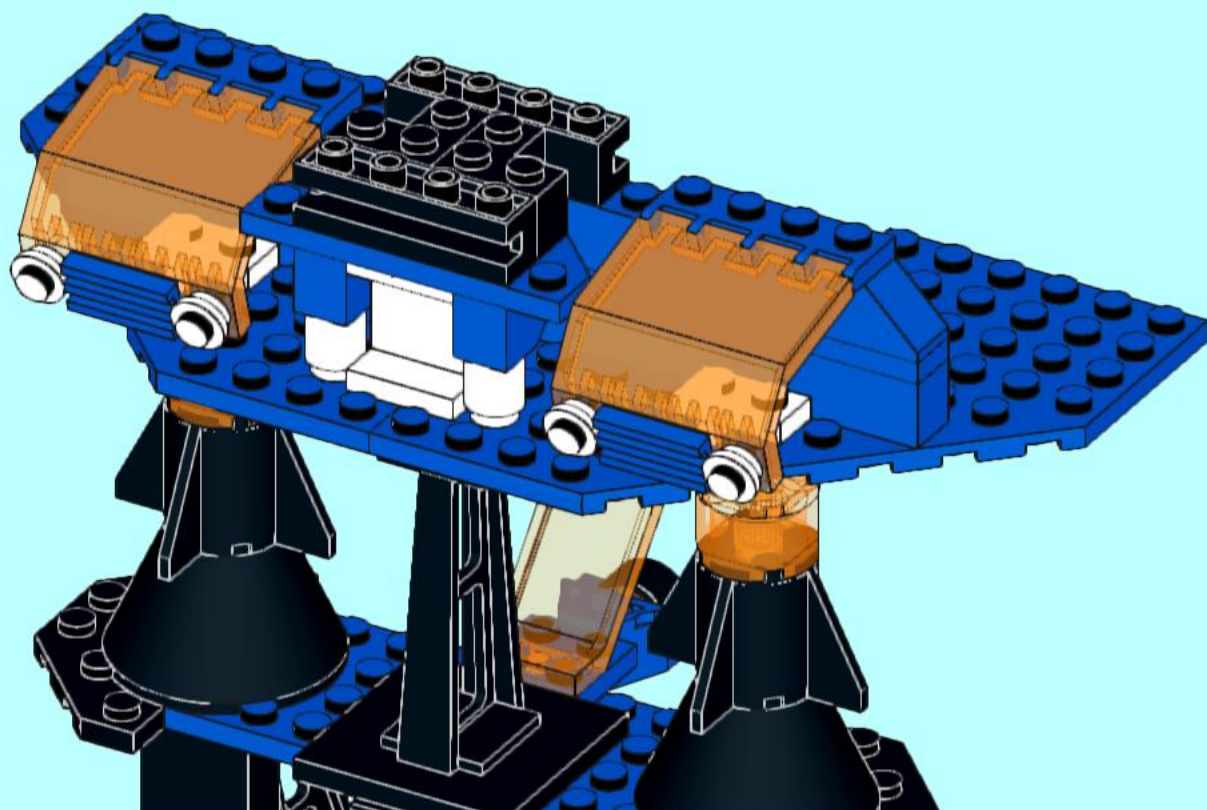
# 30



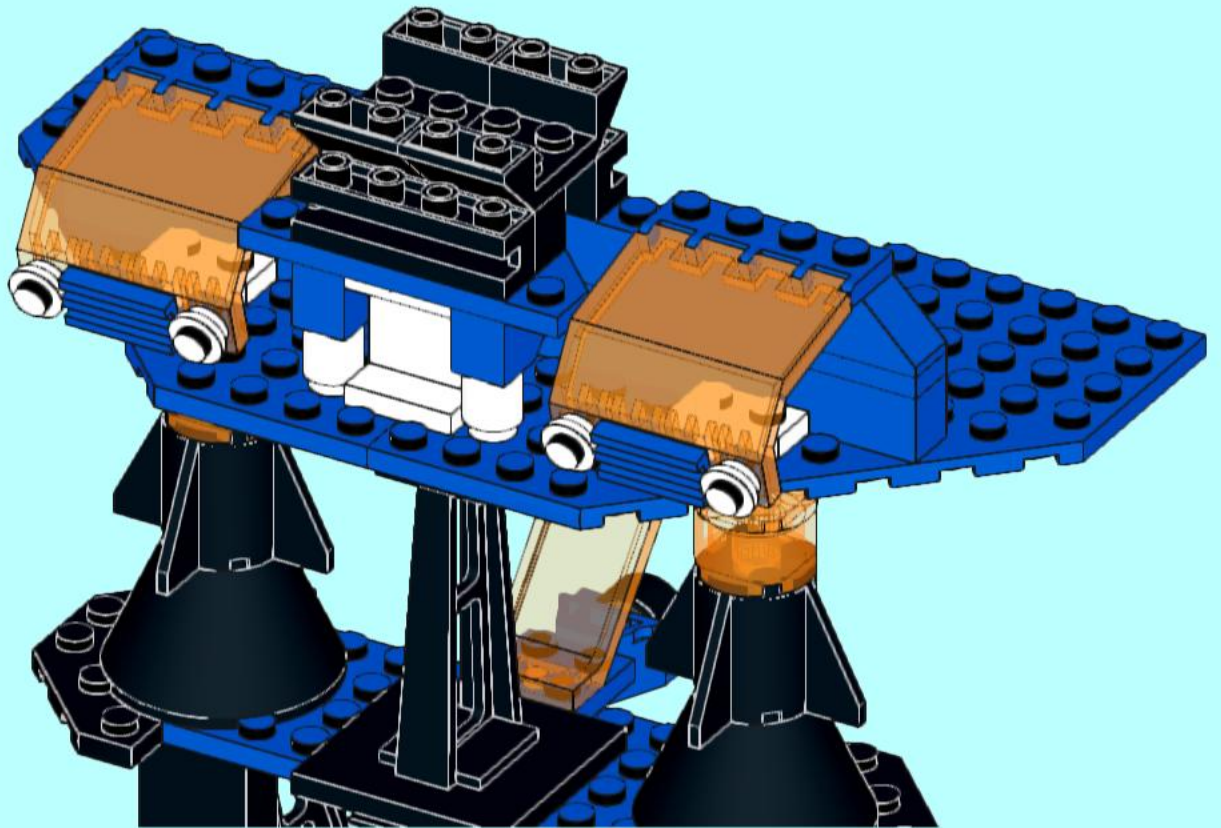
31



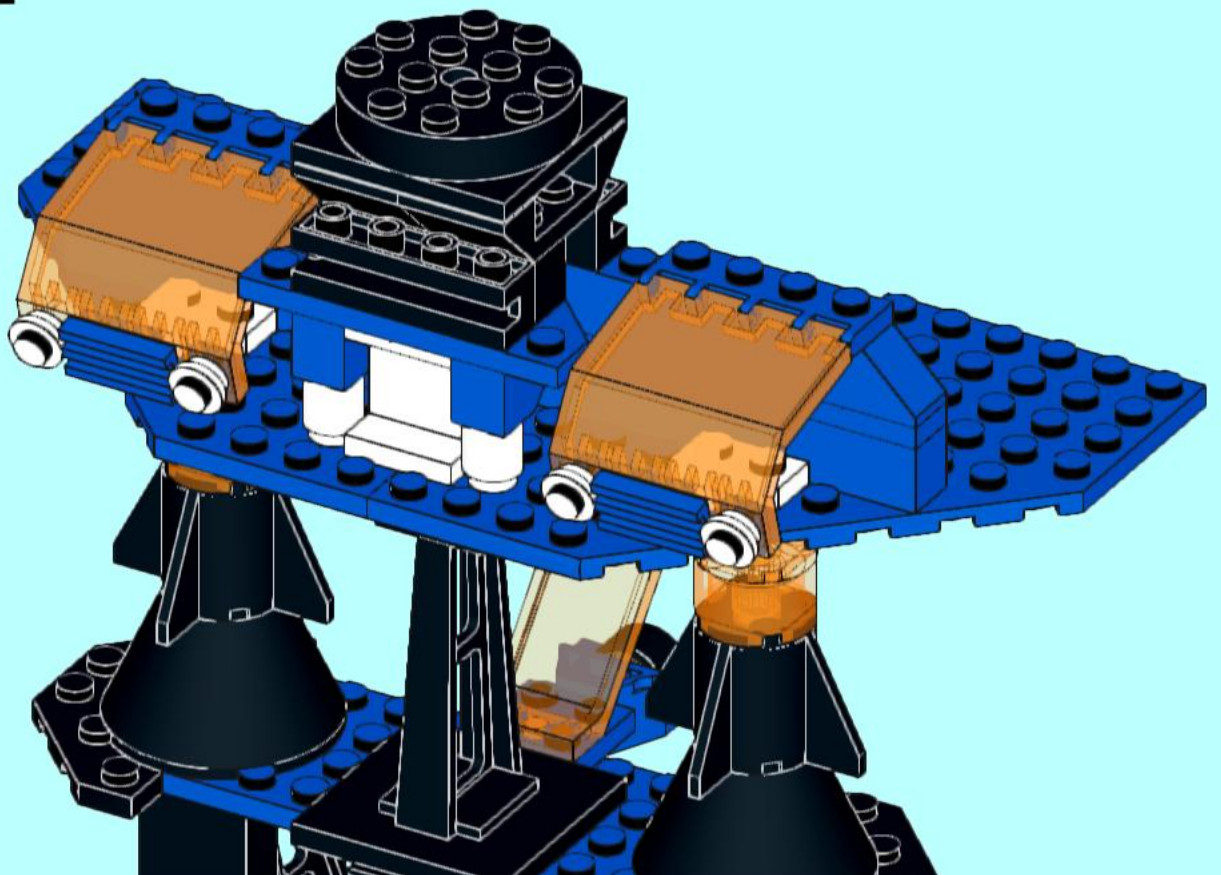
32



33

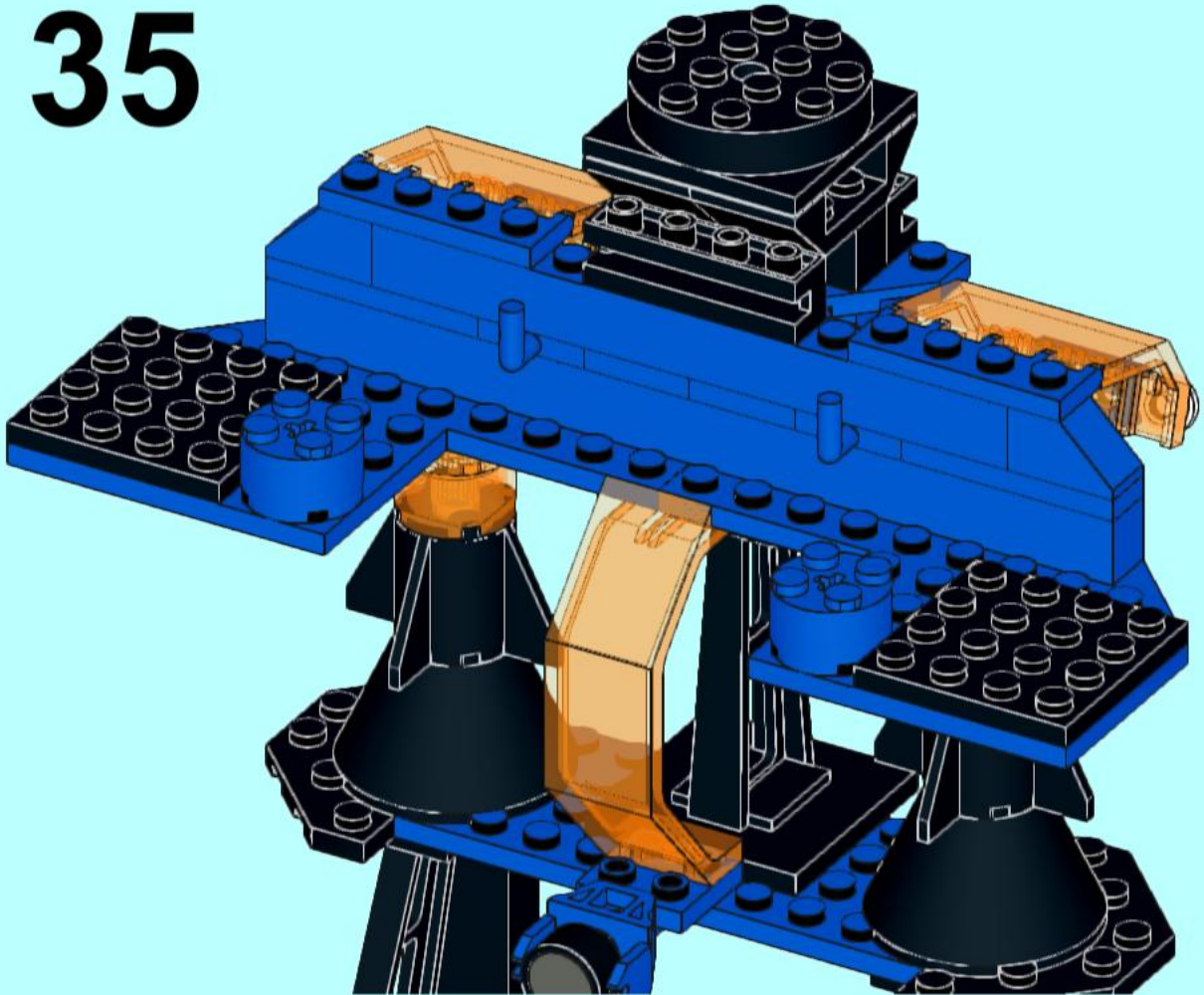


34

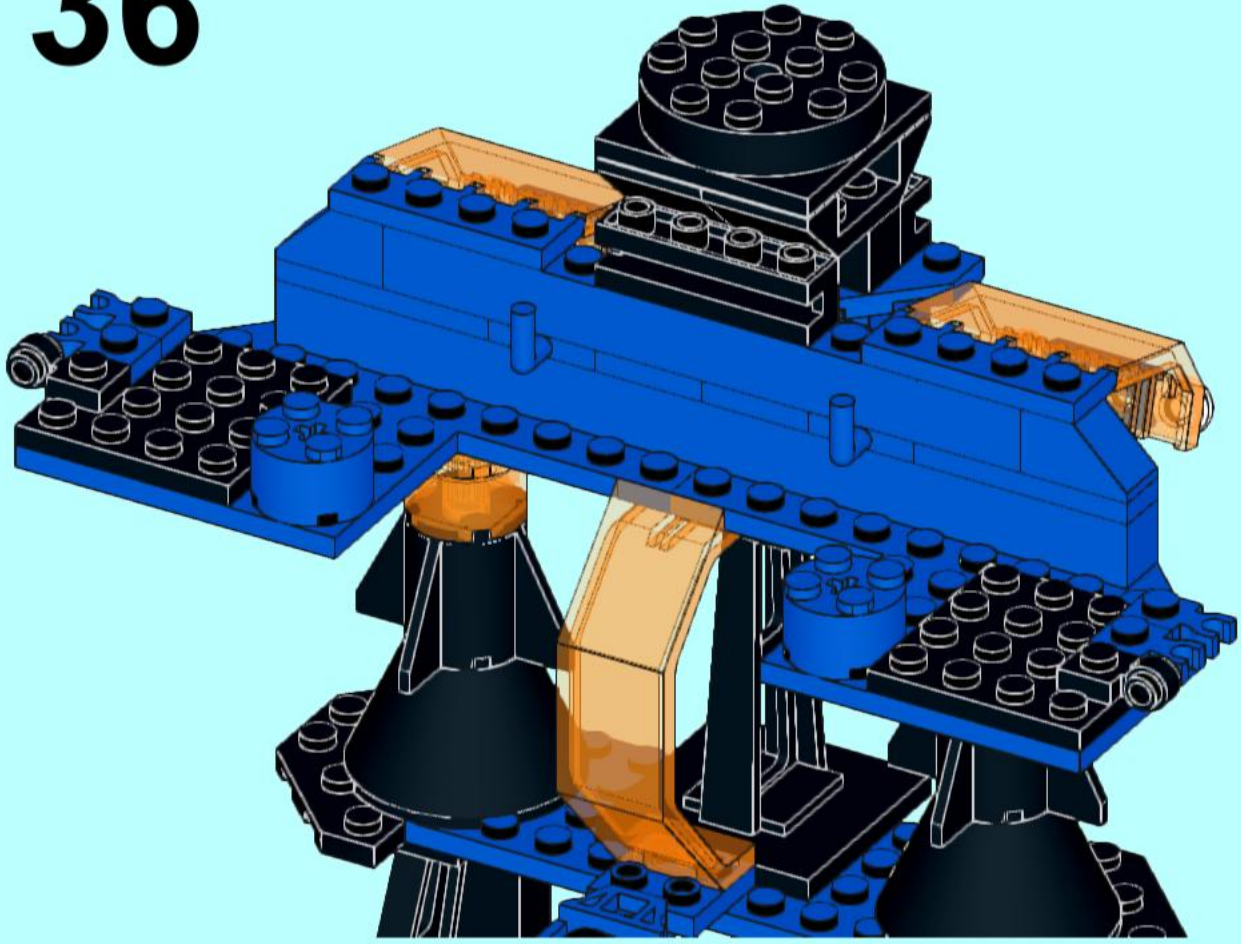




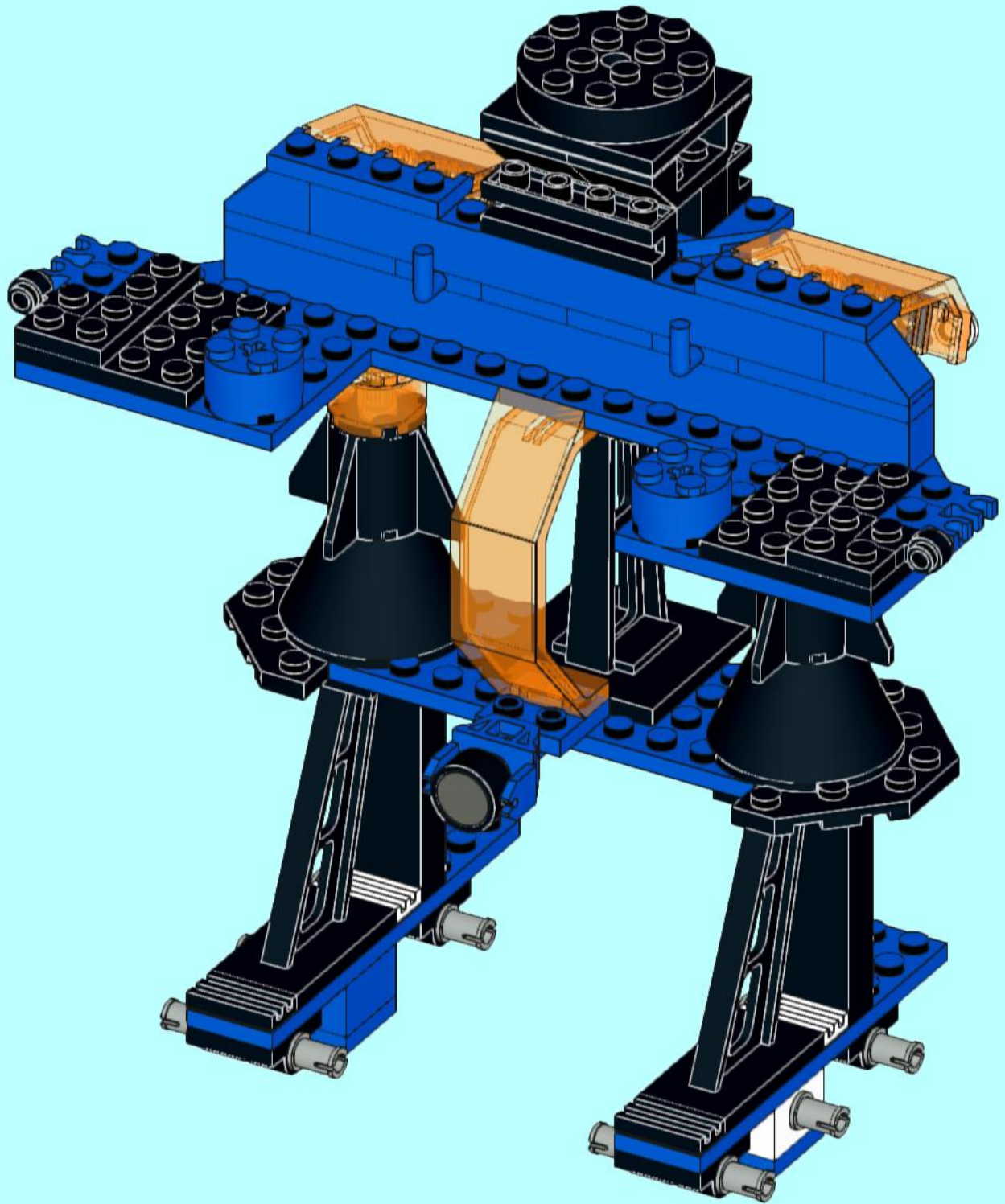
# 35



# 36



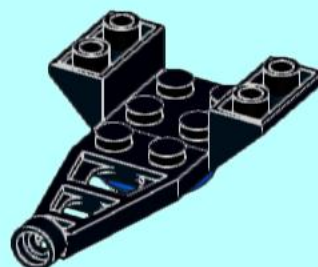
# 37



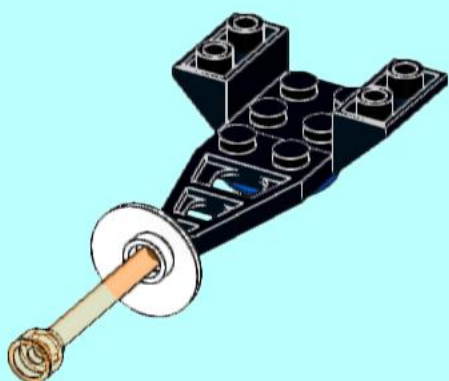
38



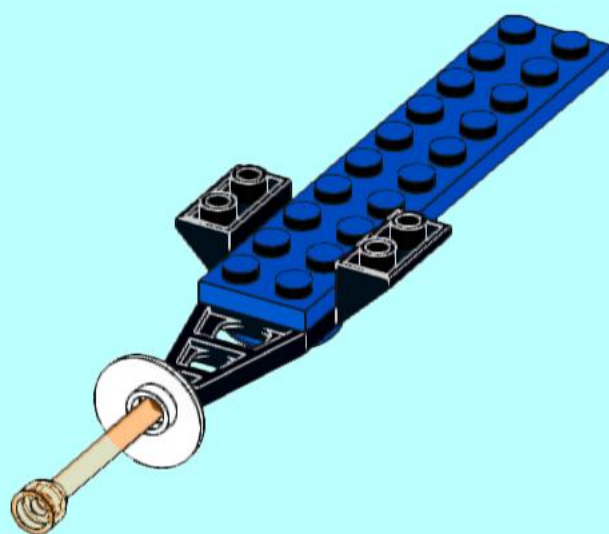
39



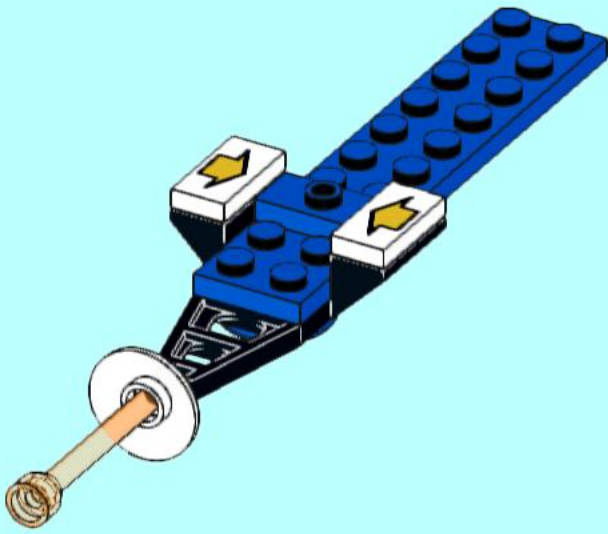
40



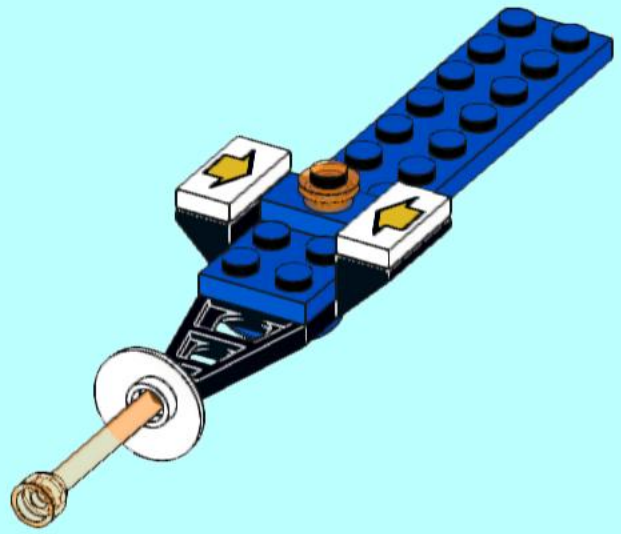
41



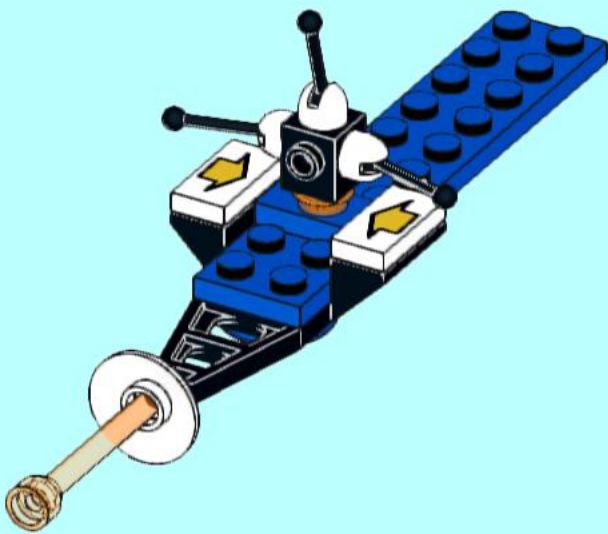
42



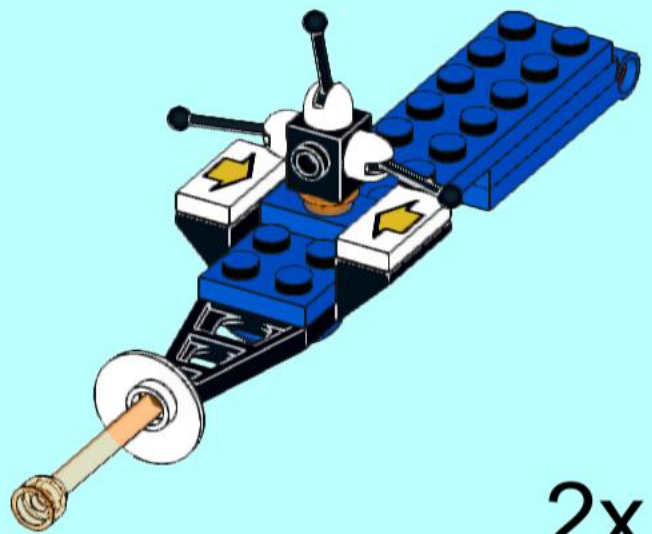
43



44

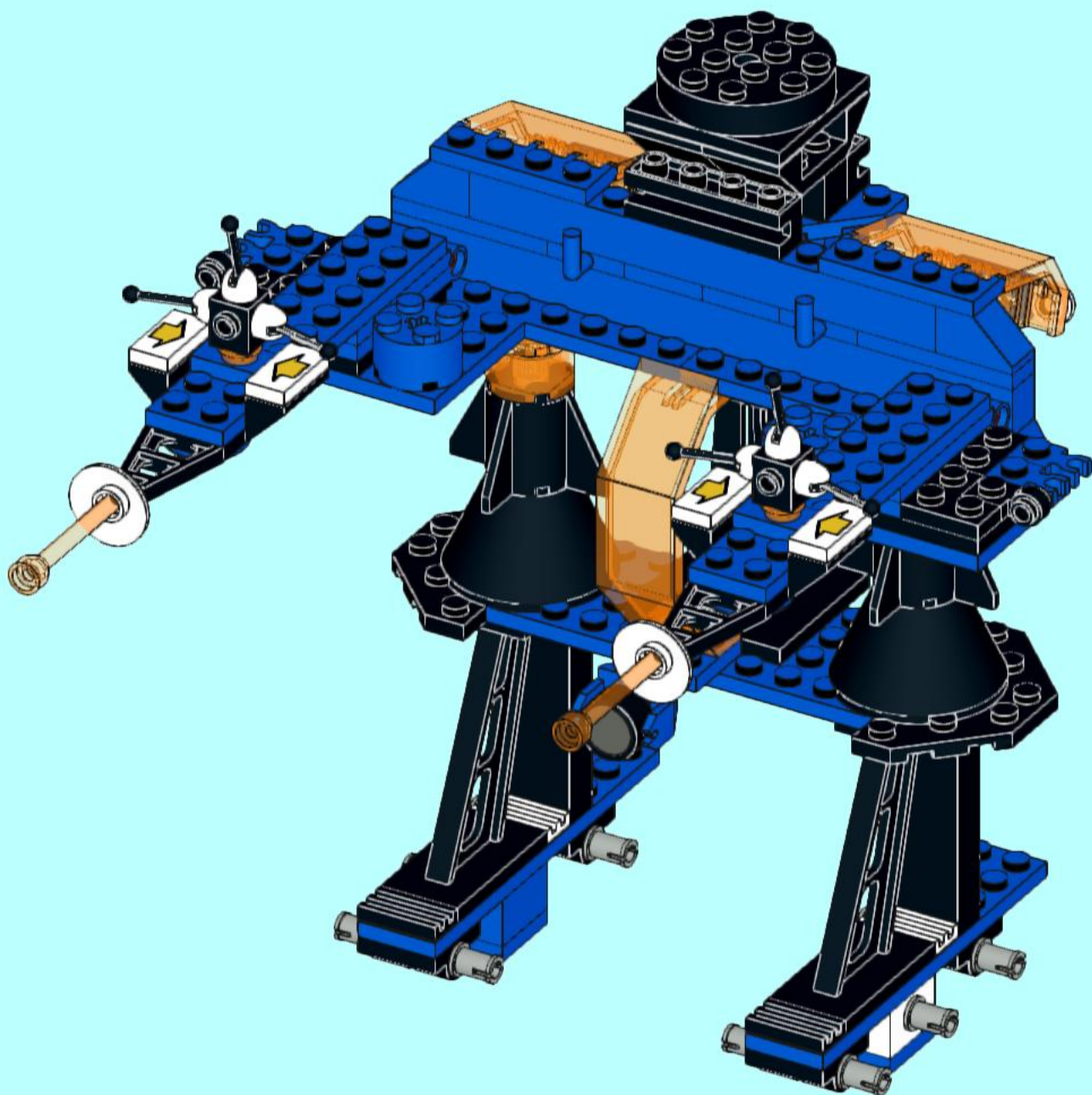


45

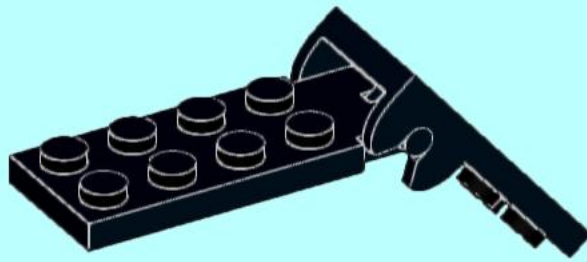


2x

# 46



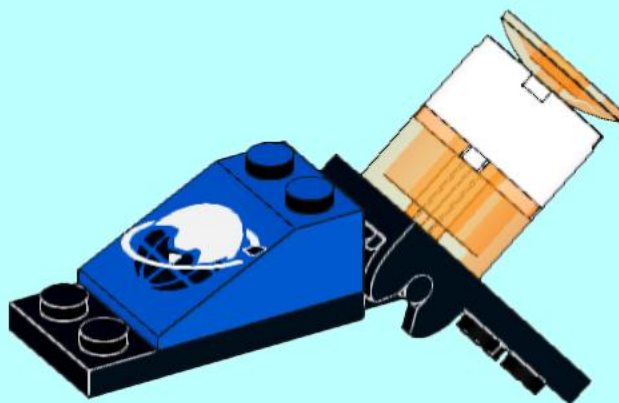
47



48

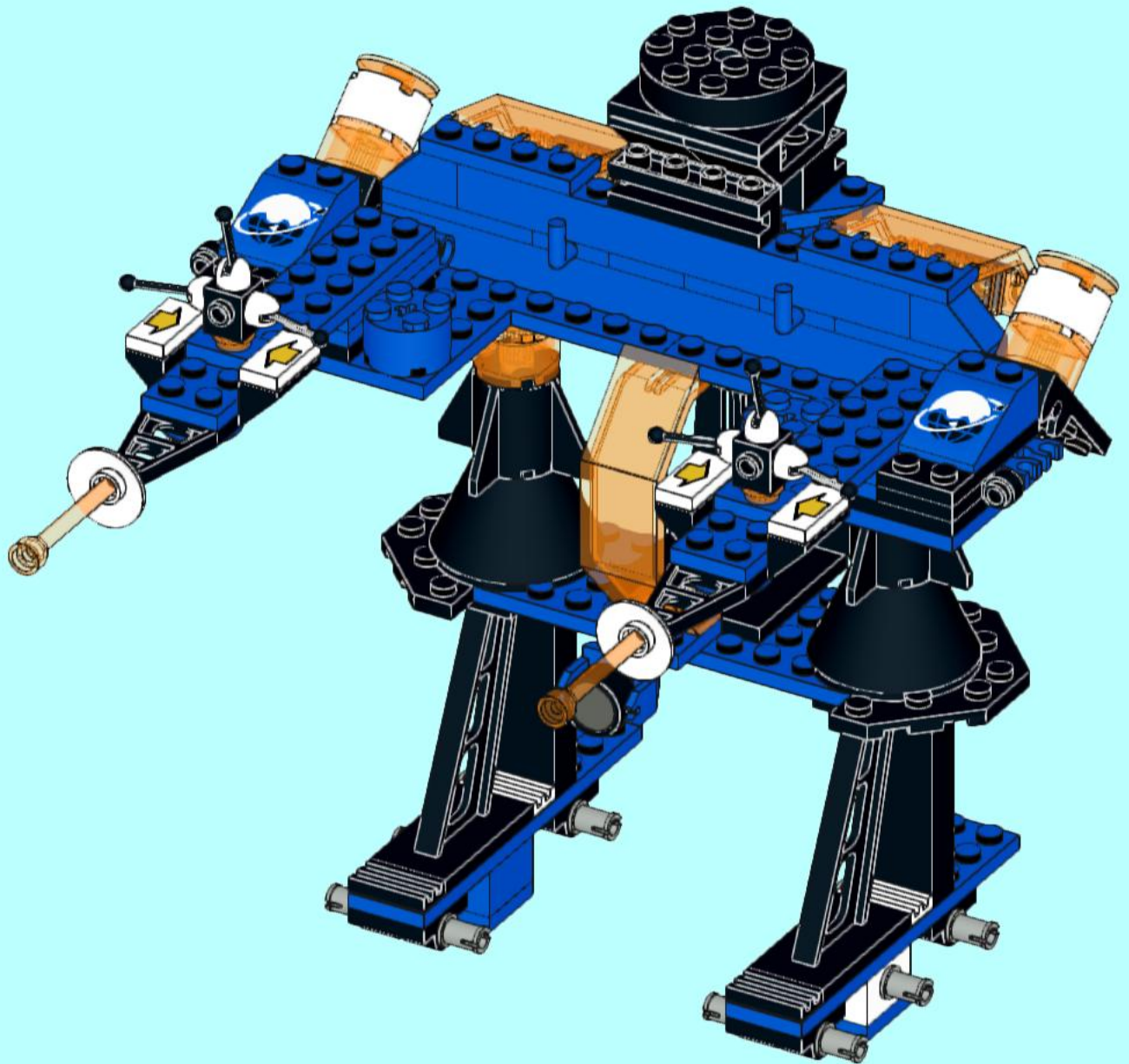


49

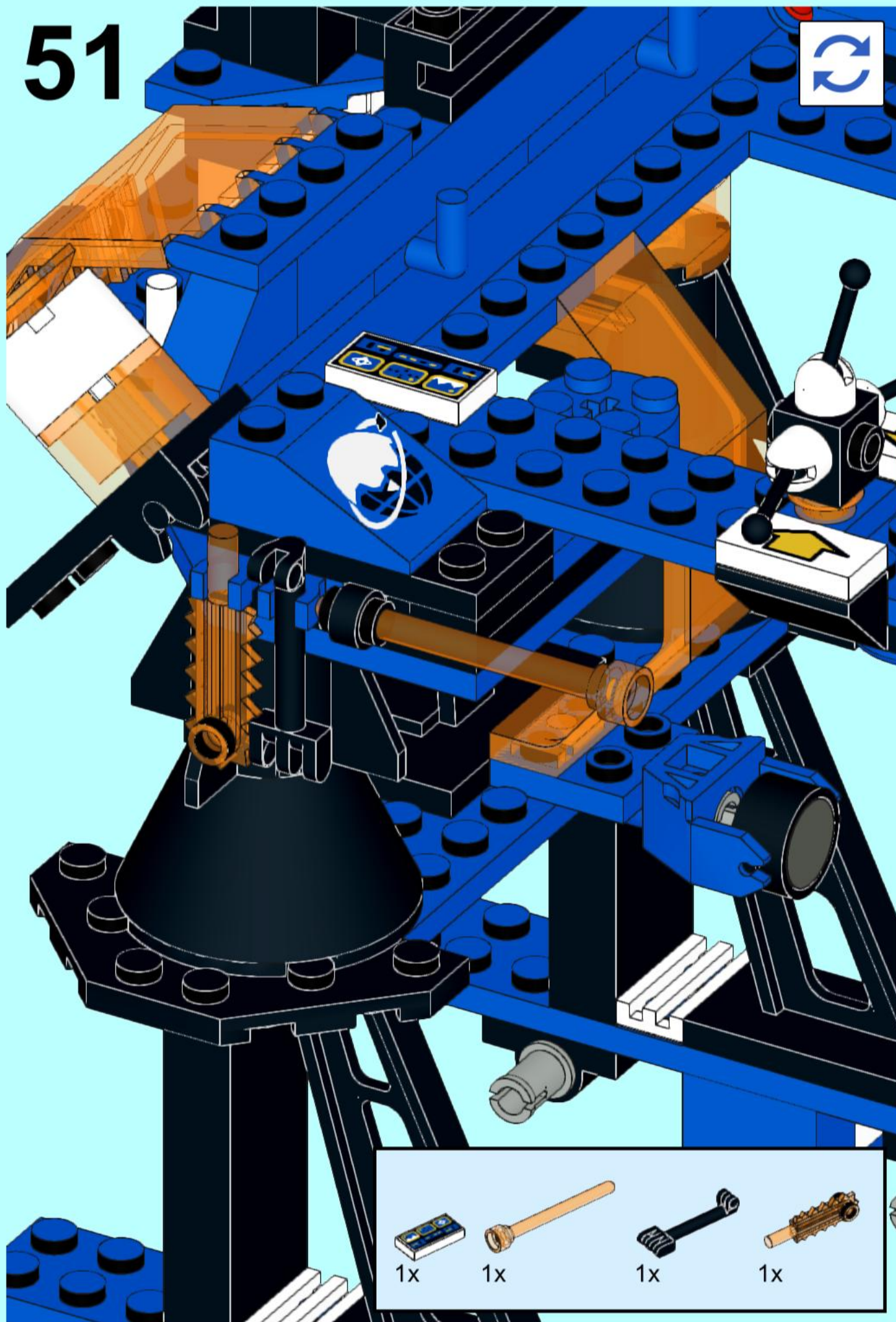



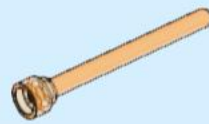


2x

50



# 51

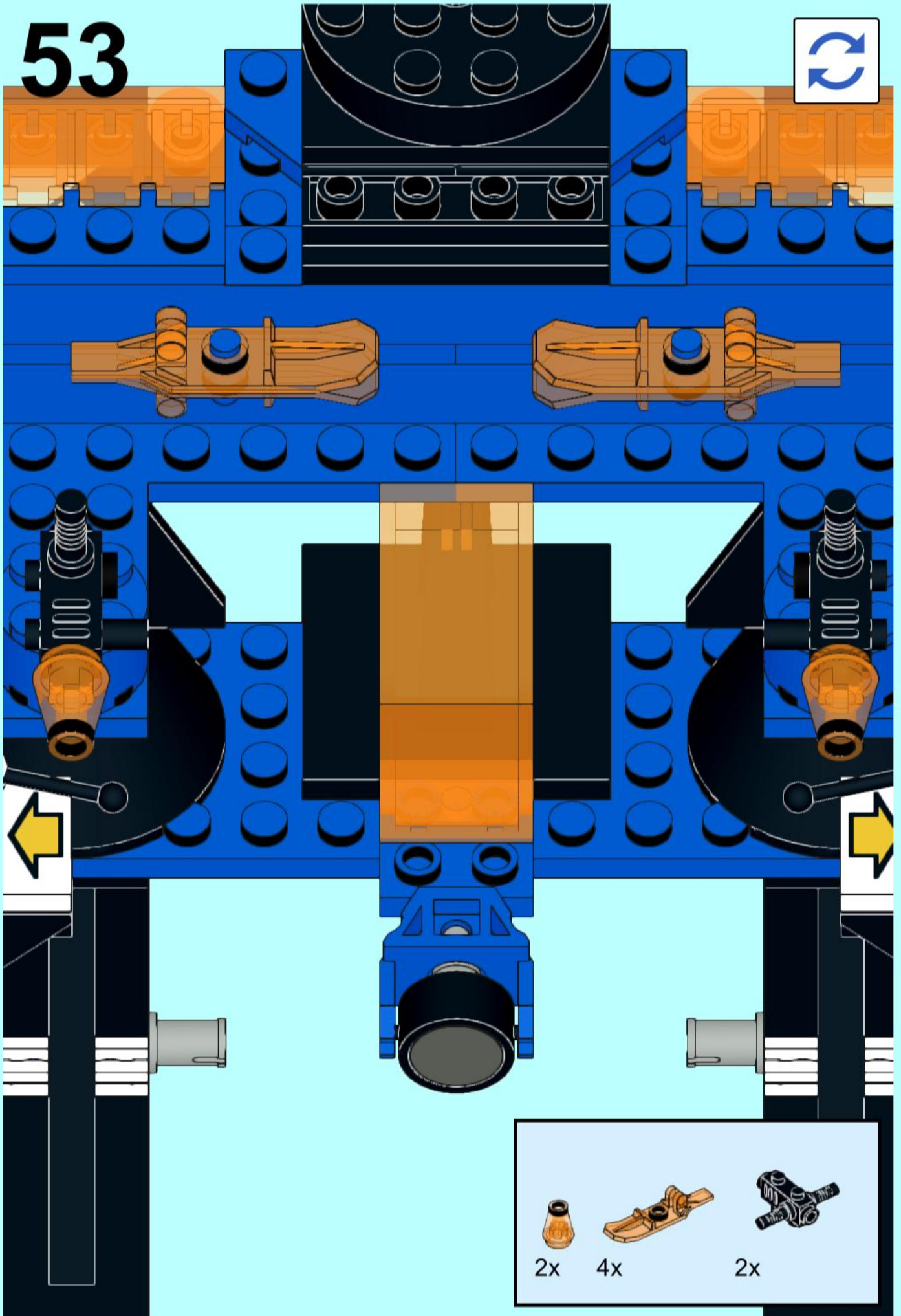





-  1x
-  1x
-  1x
-  1x



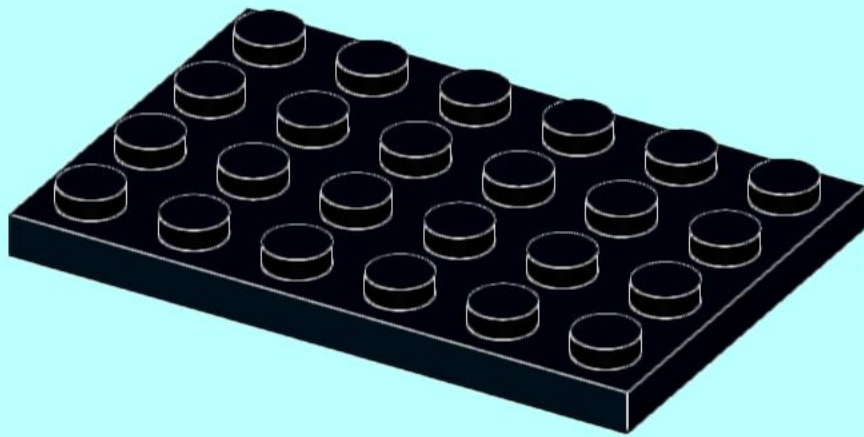


53

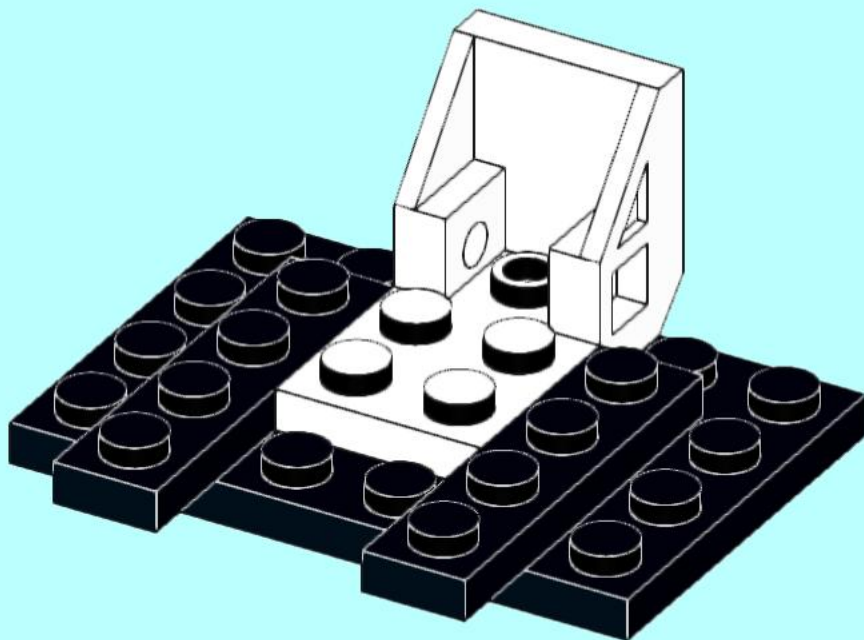


		
2x	4x	2x

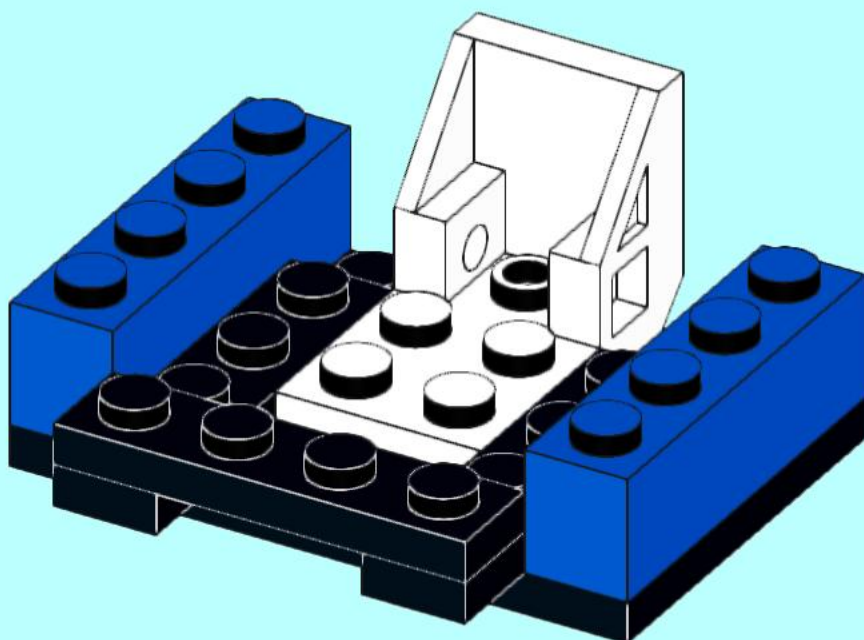
54



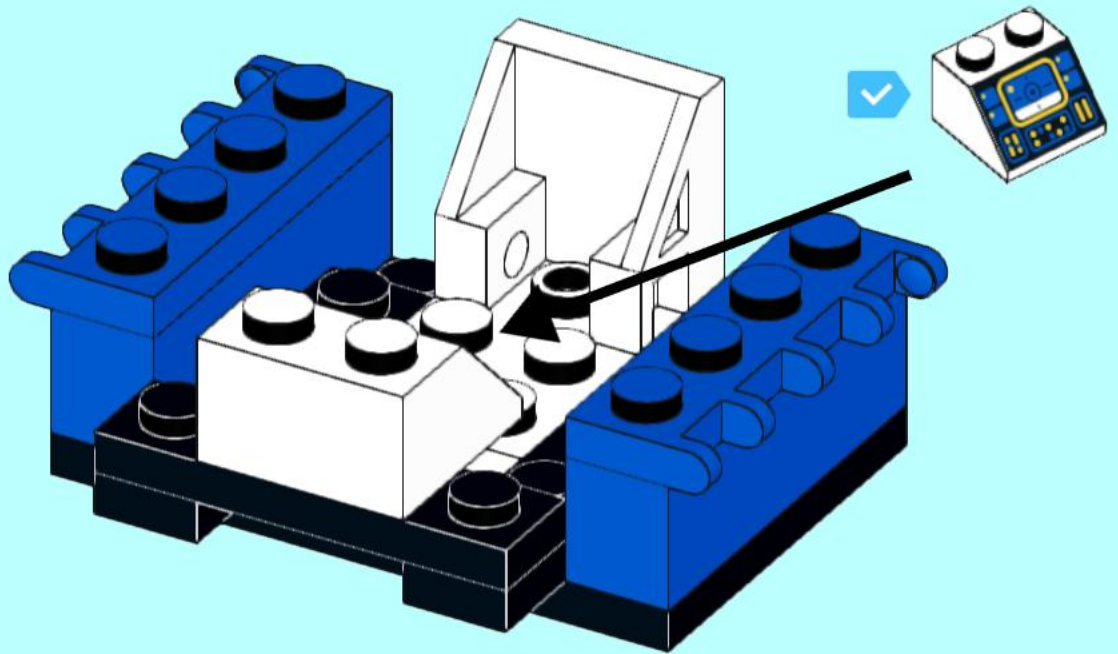
55



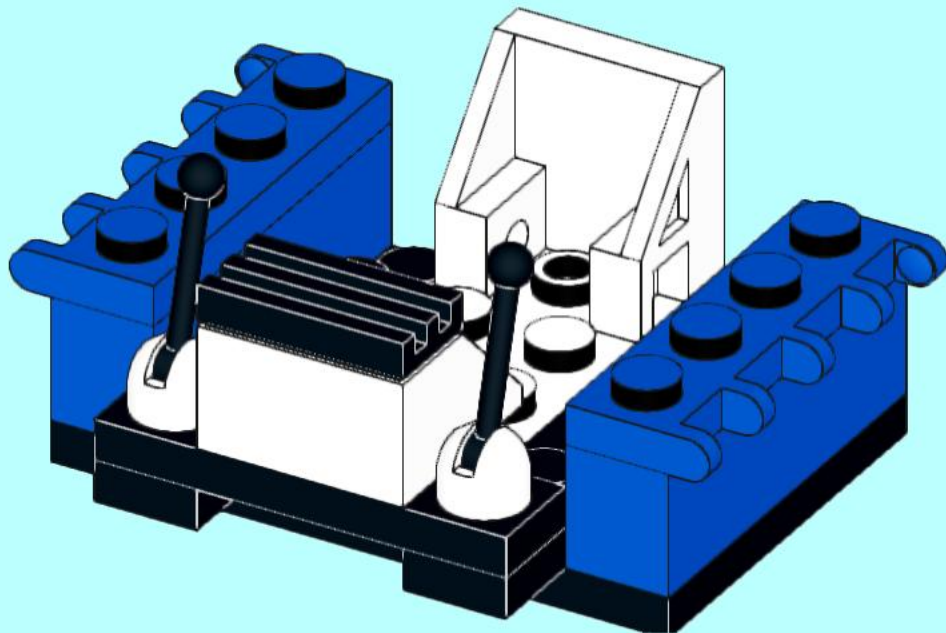
56



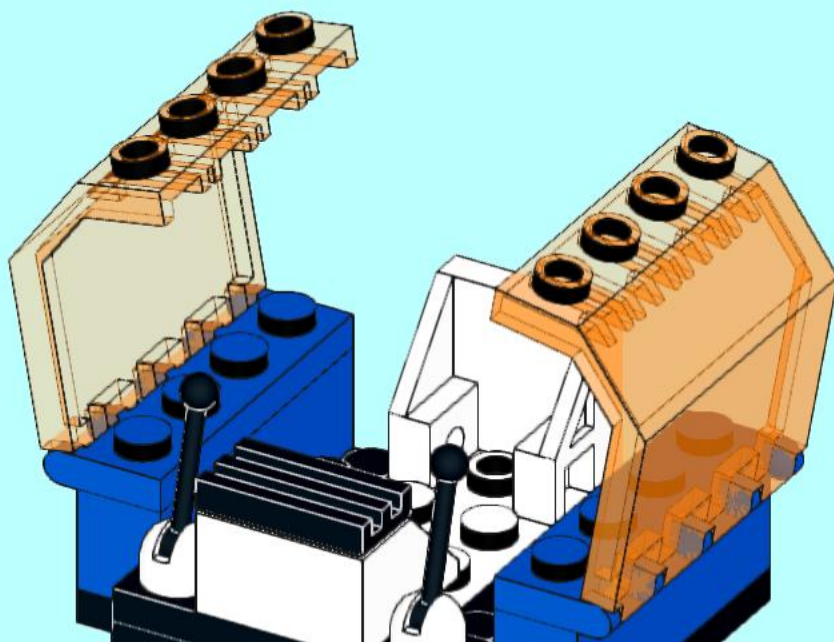
# 57



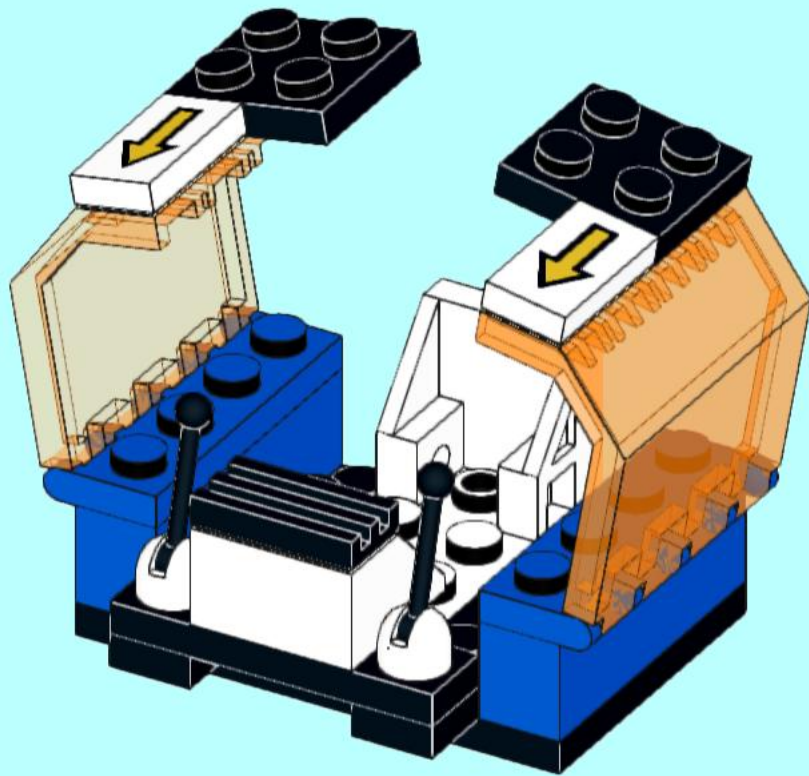
# 58



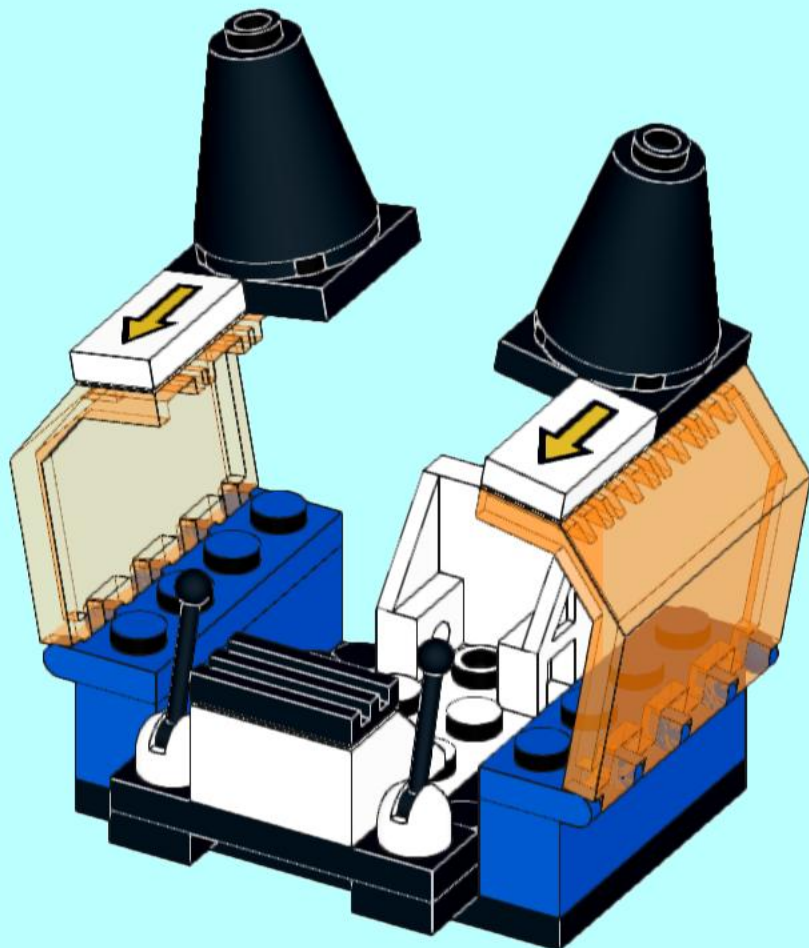
# 59



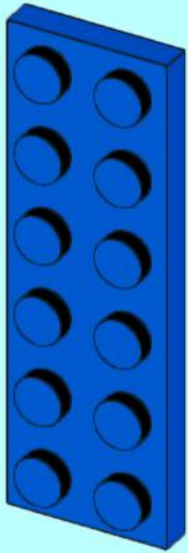
# 60



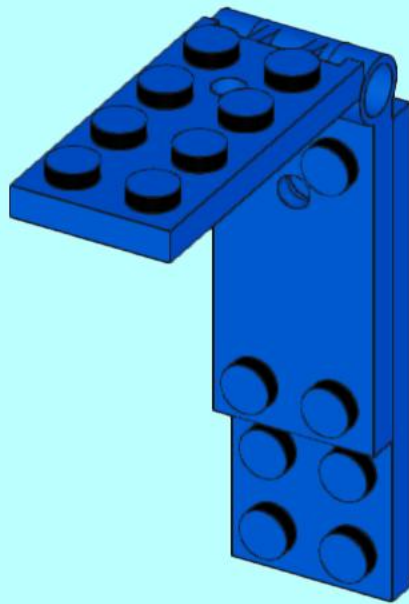
# 61



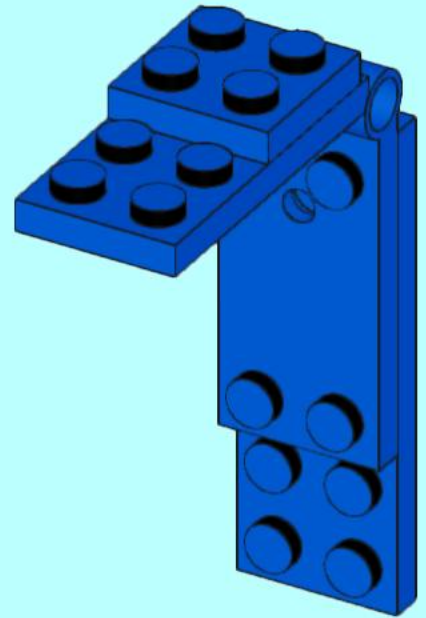
62



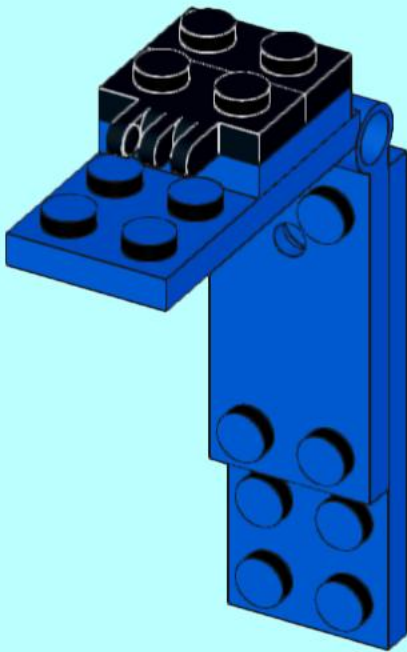
63



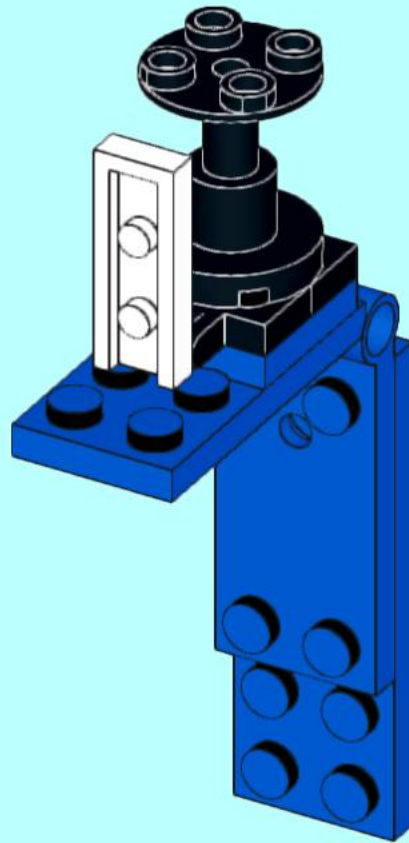
64



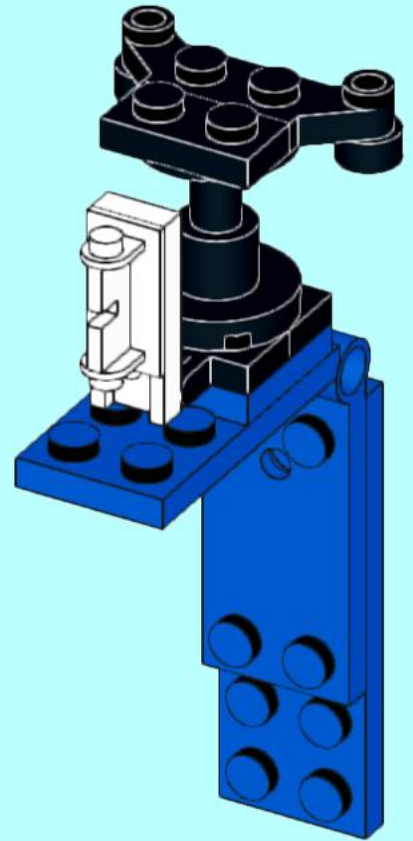
65



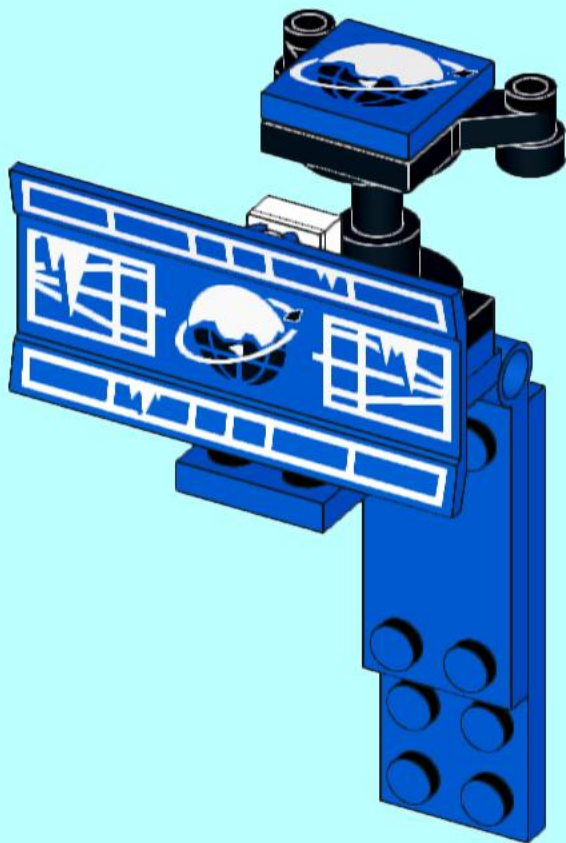
66



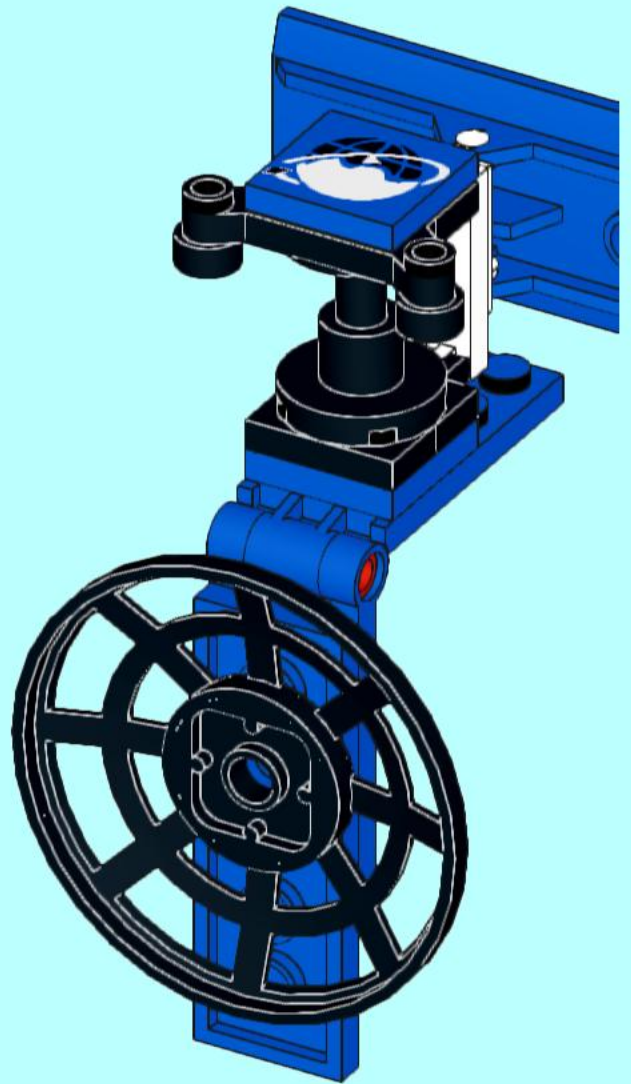
67



68

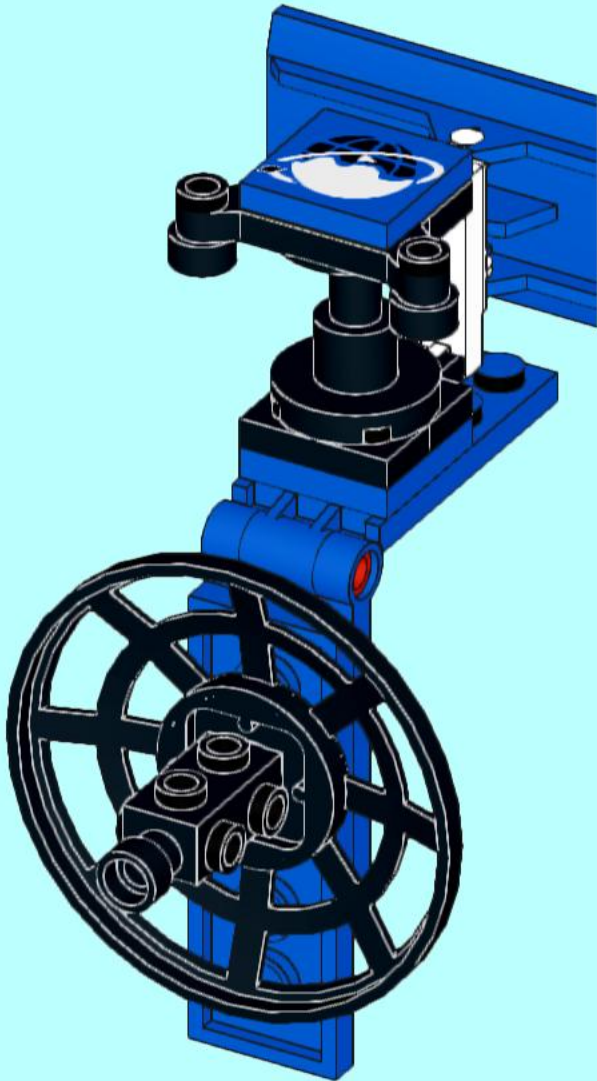


69

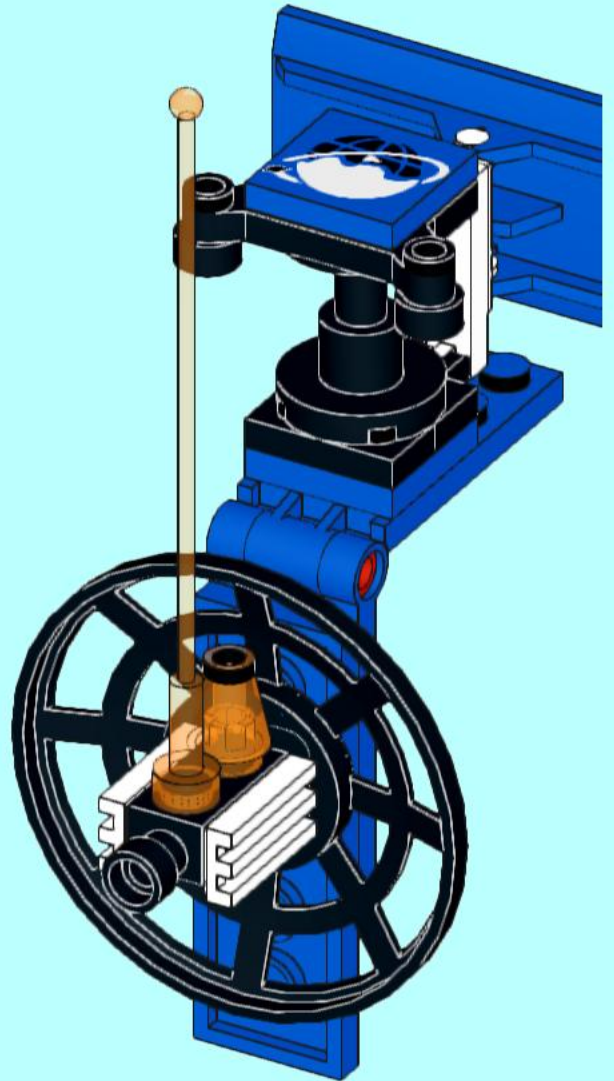




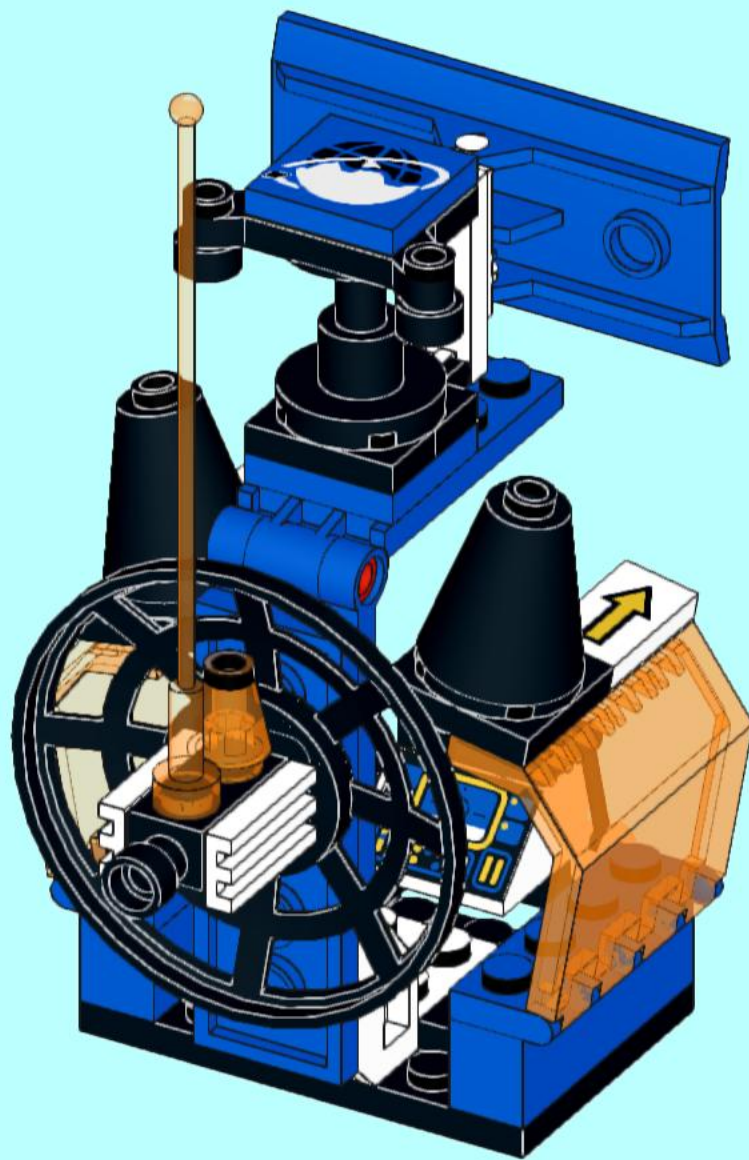
# 70

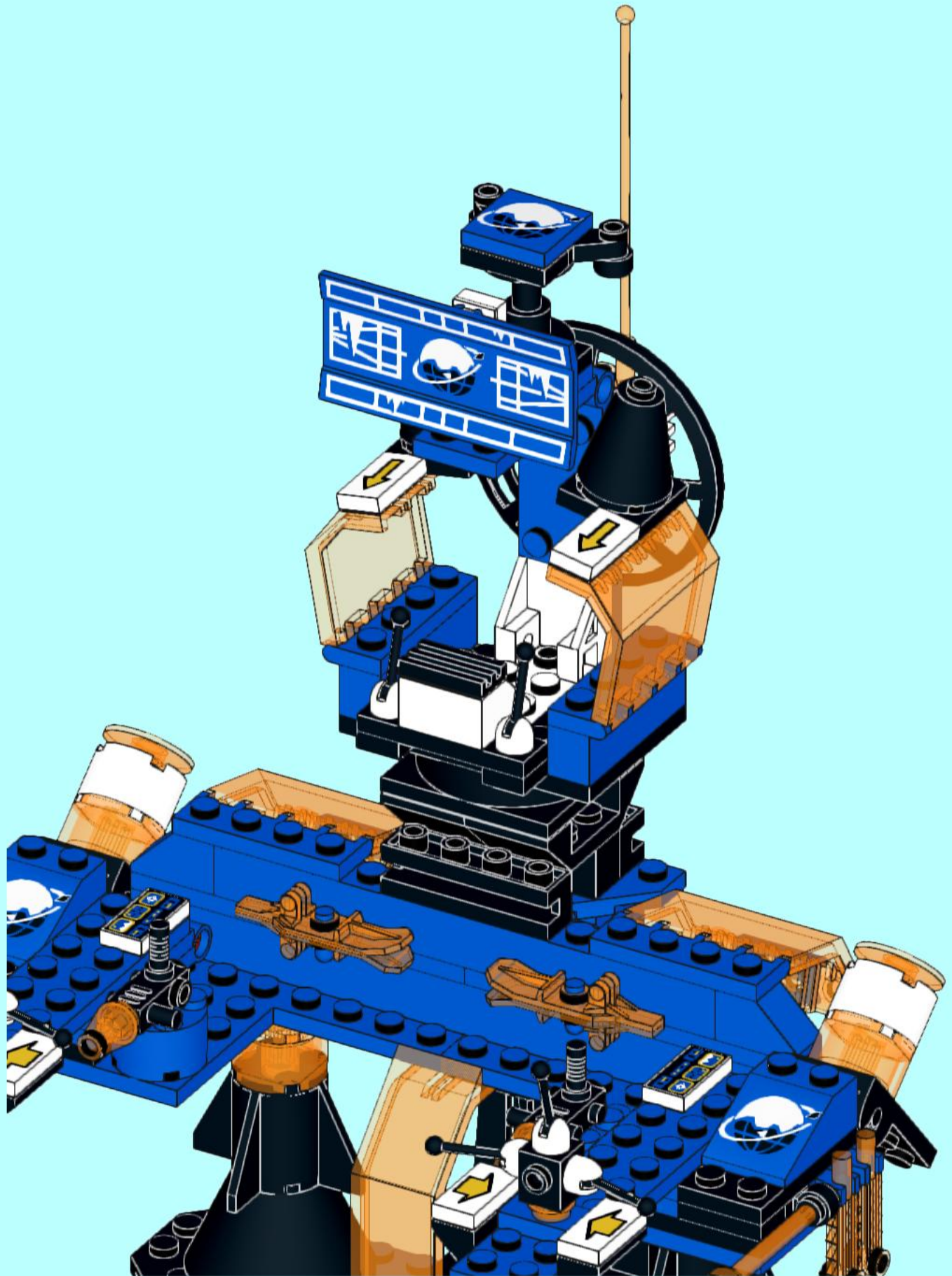


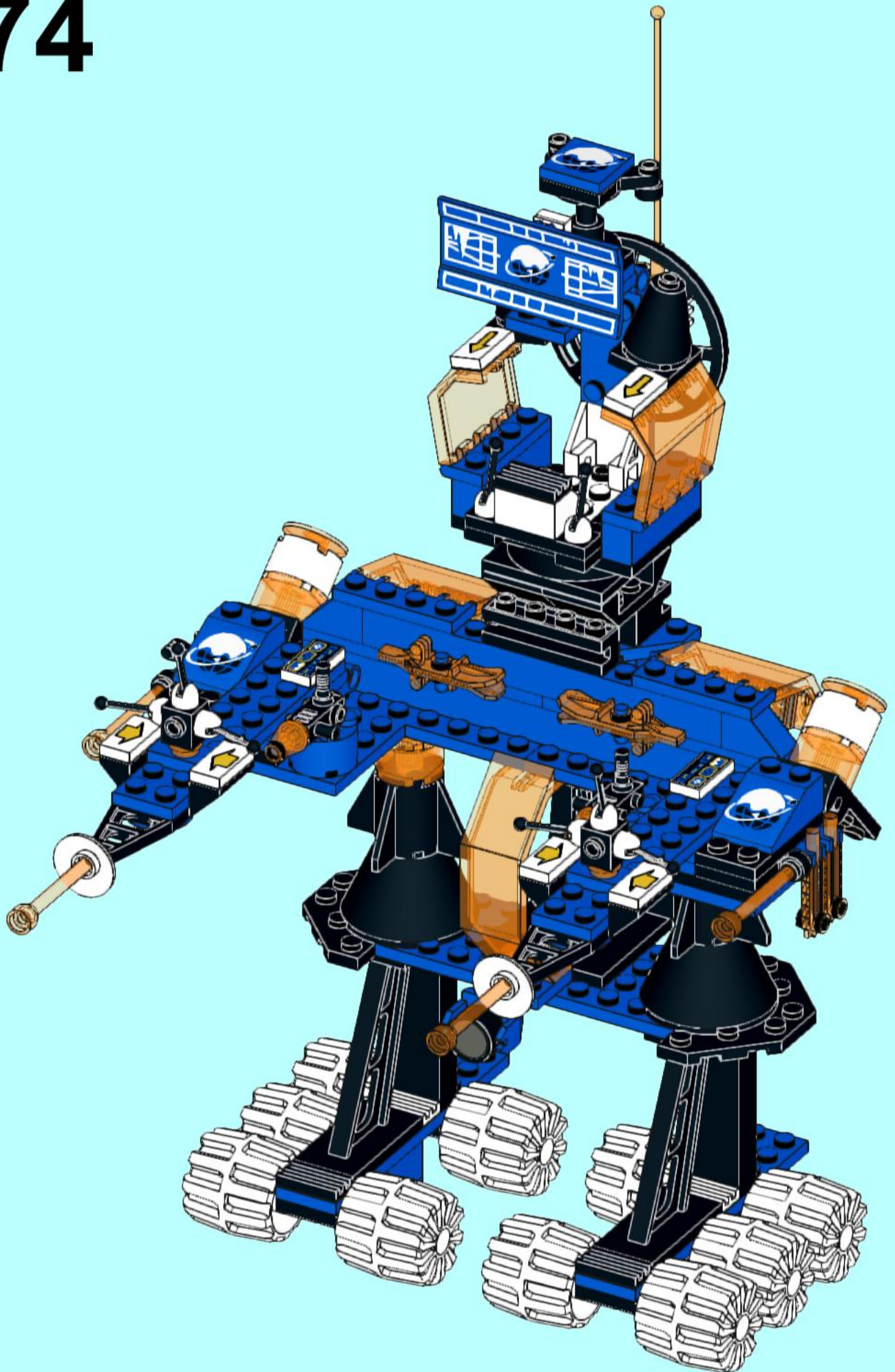
# 71



72







# 75

