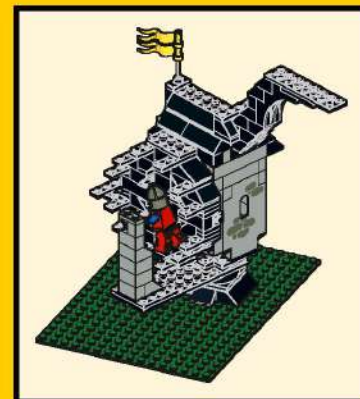
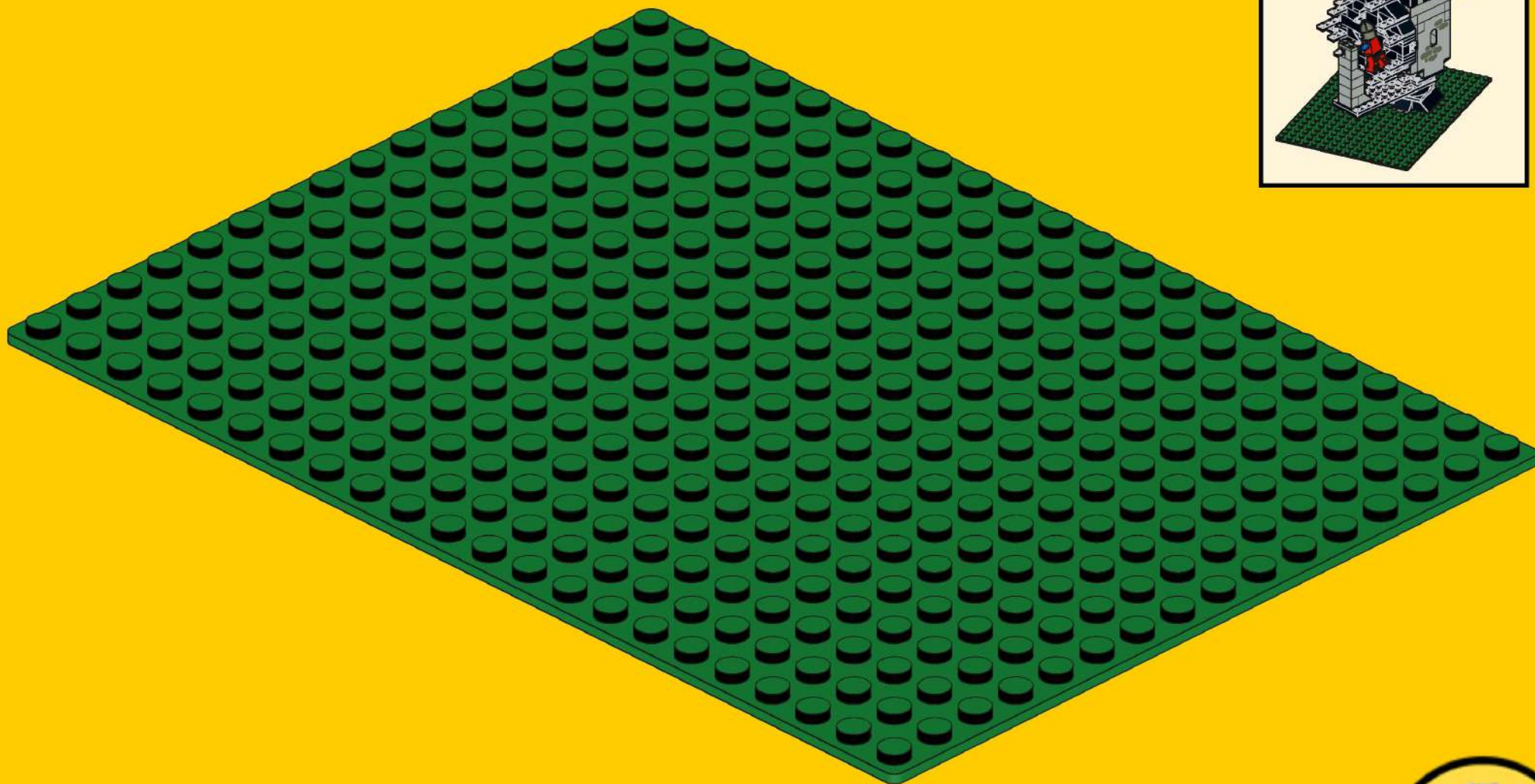


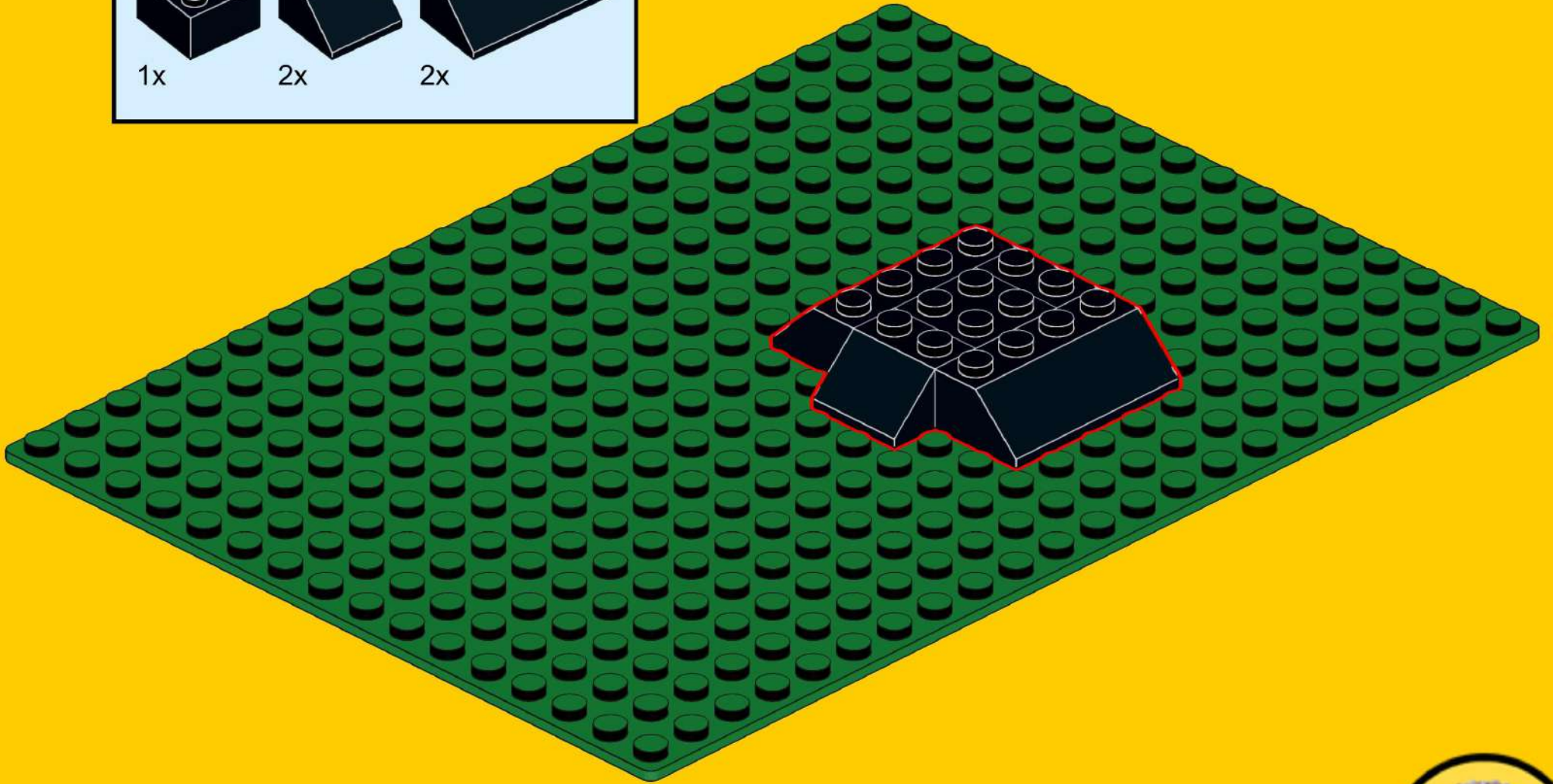
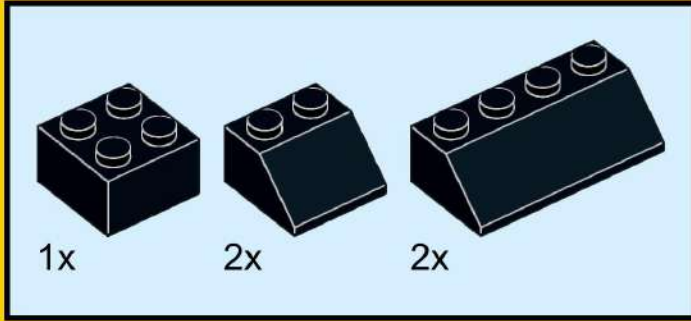
IDEAS 250: Fortress Building Site - Treadwheel Crane



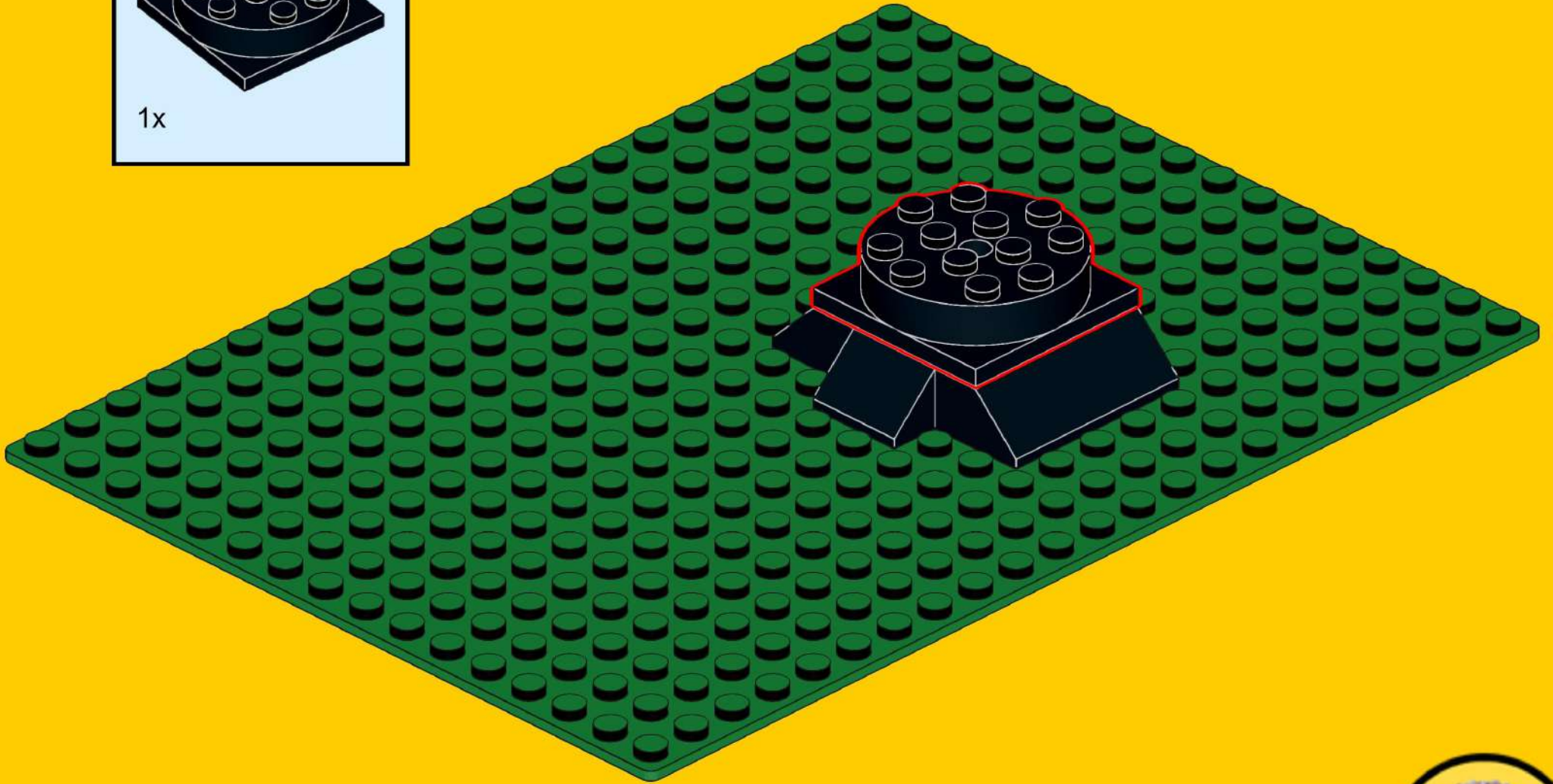
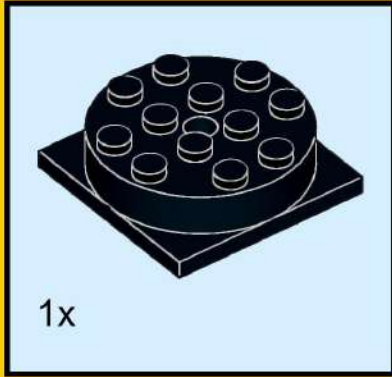
1



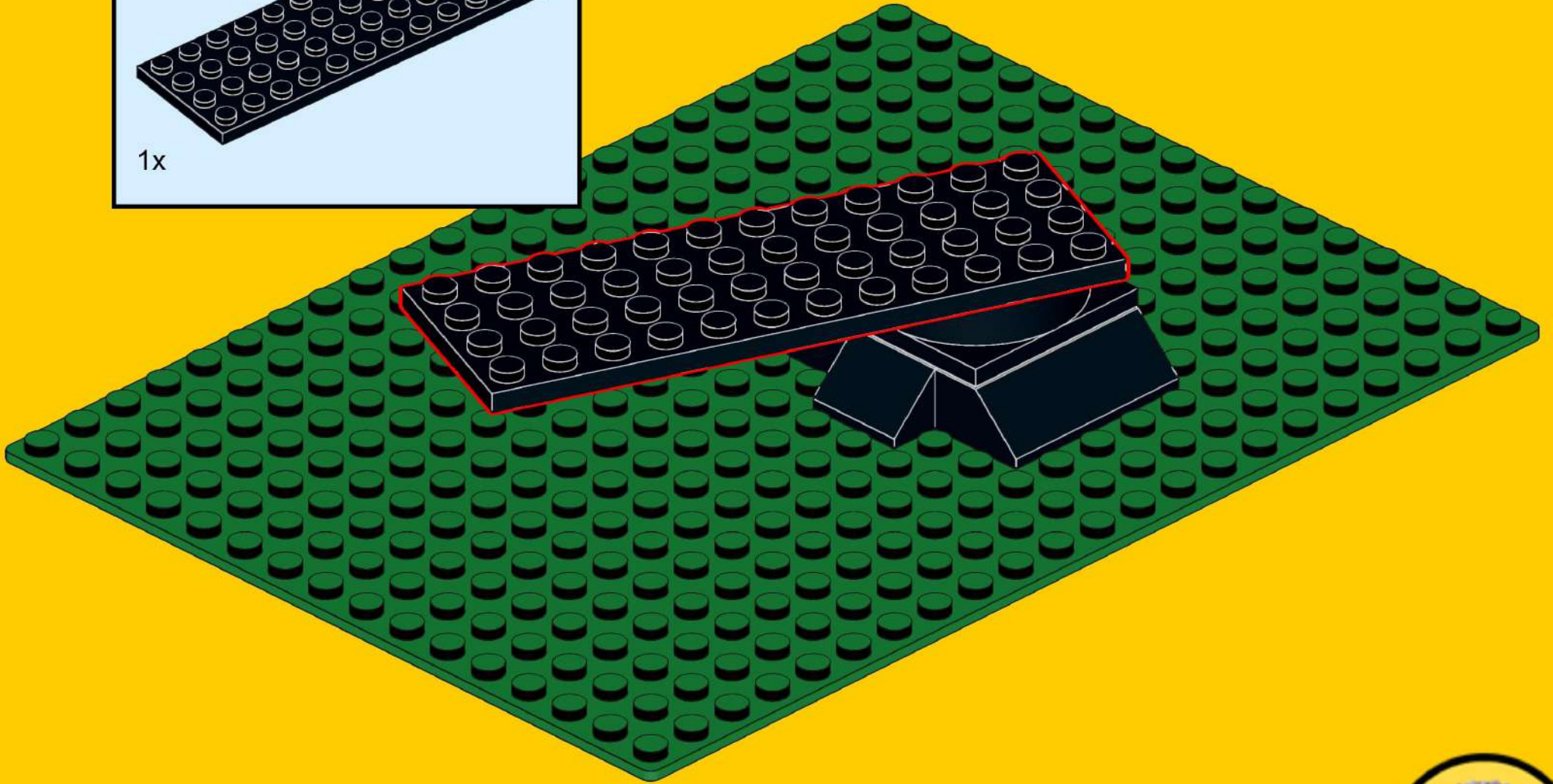
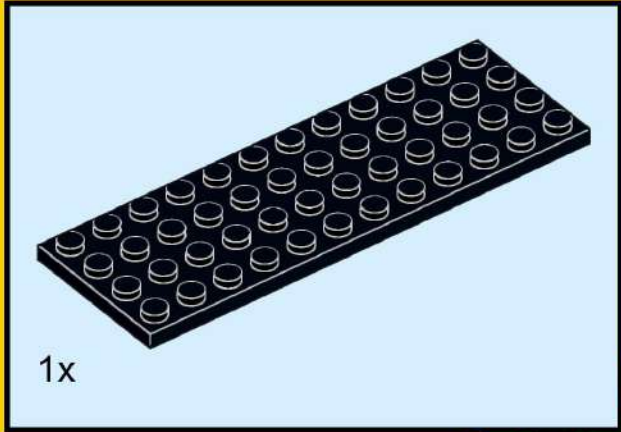
2



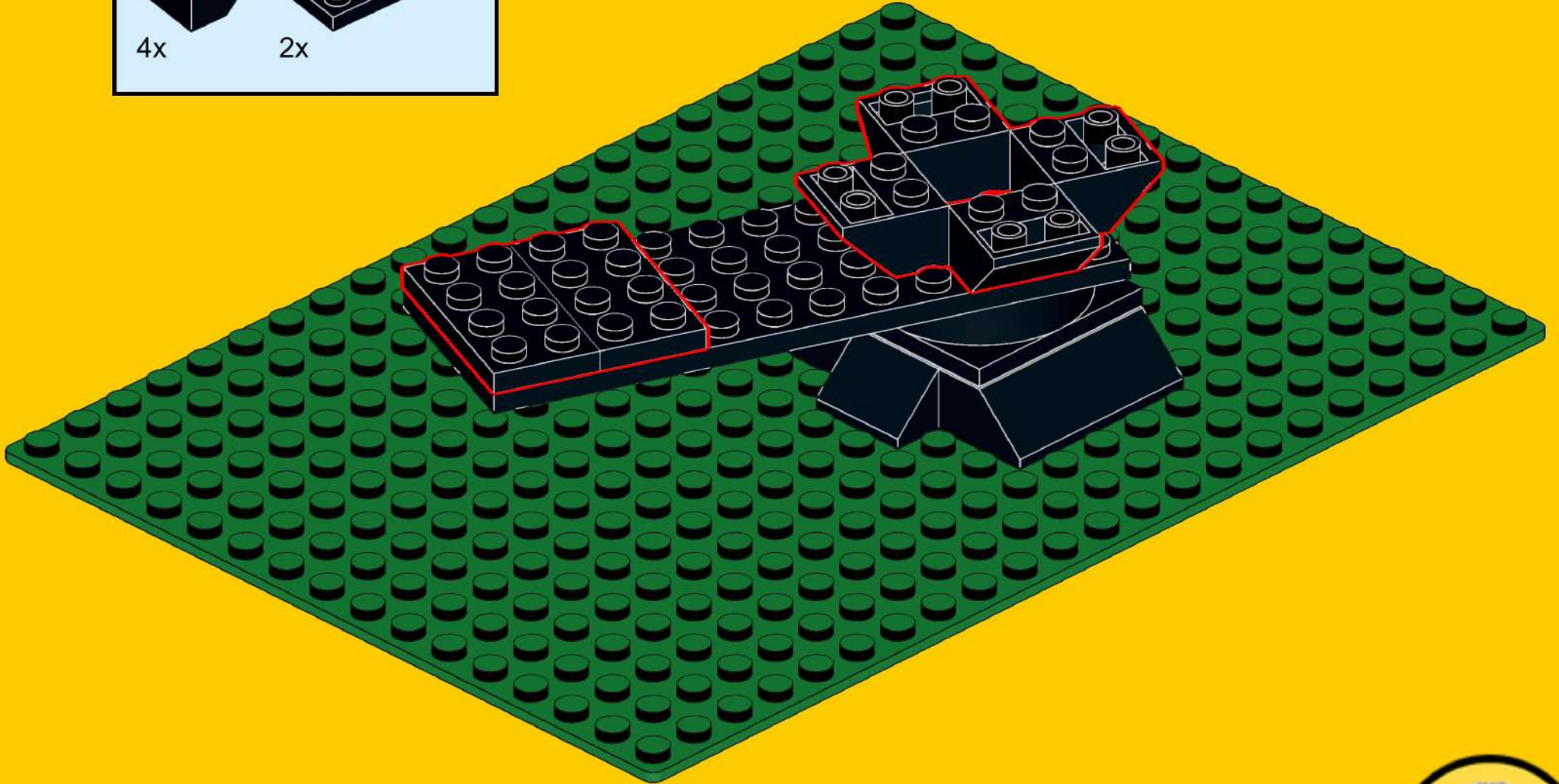
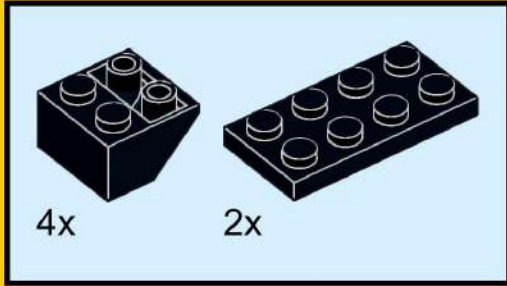
3



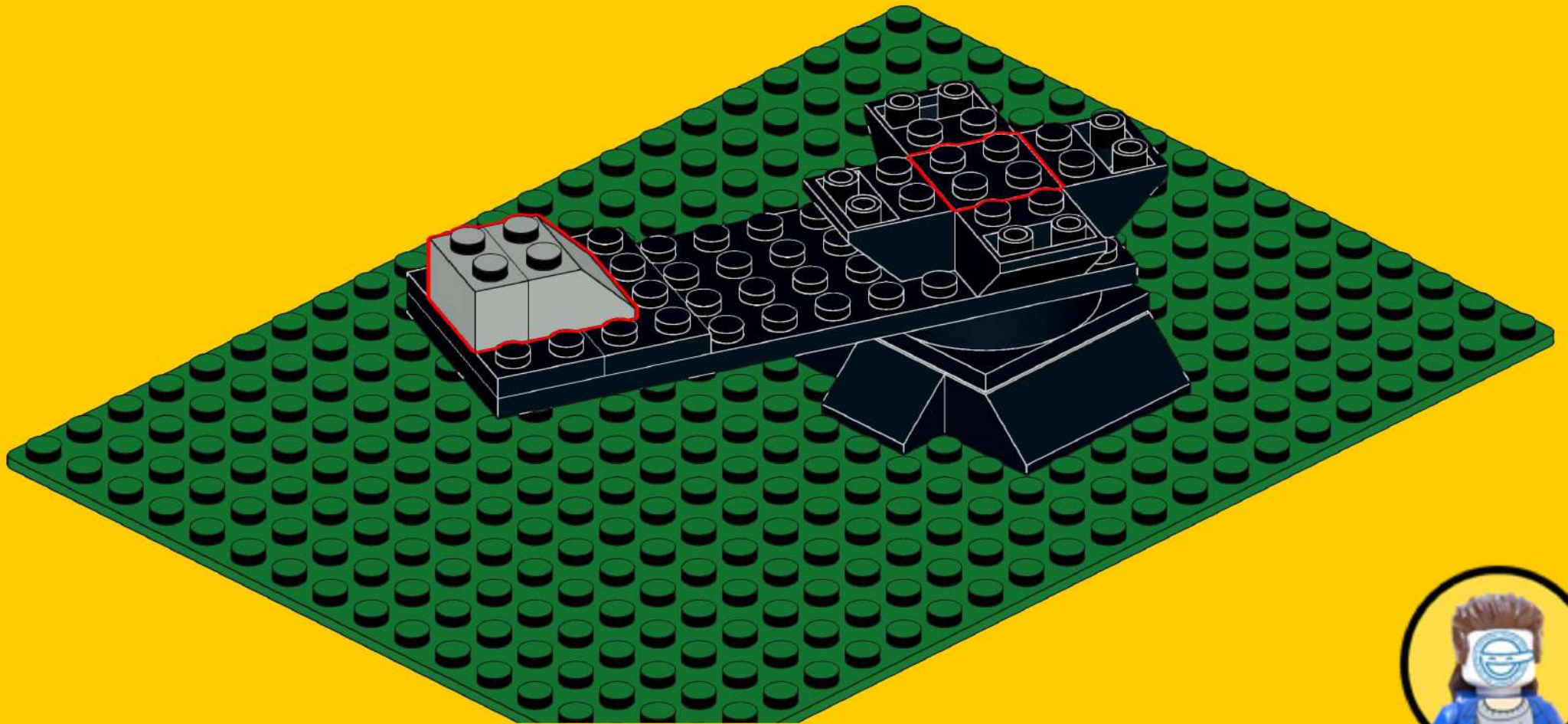
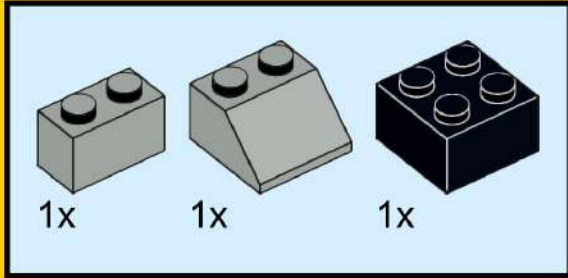
4



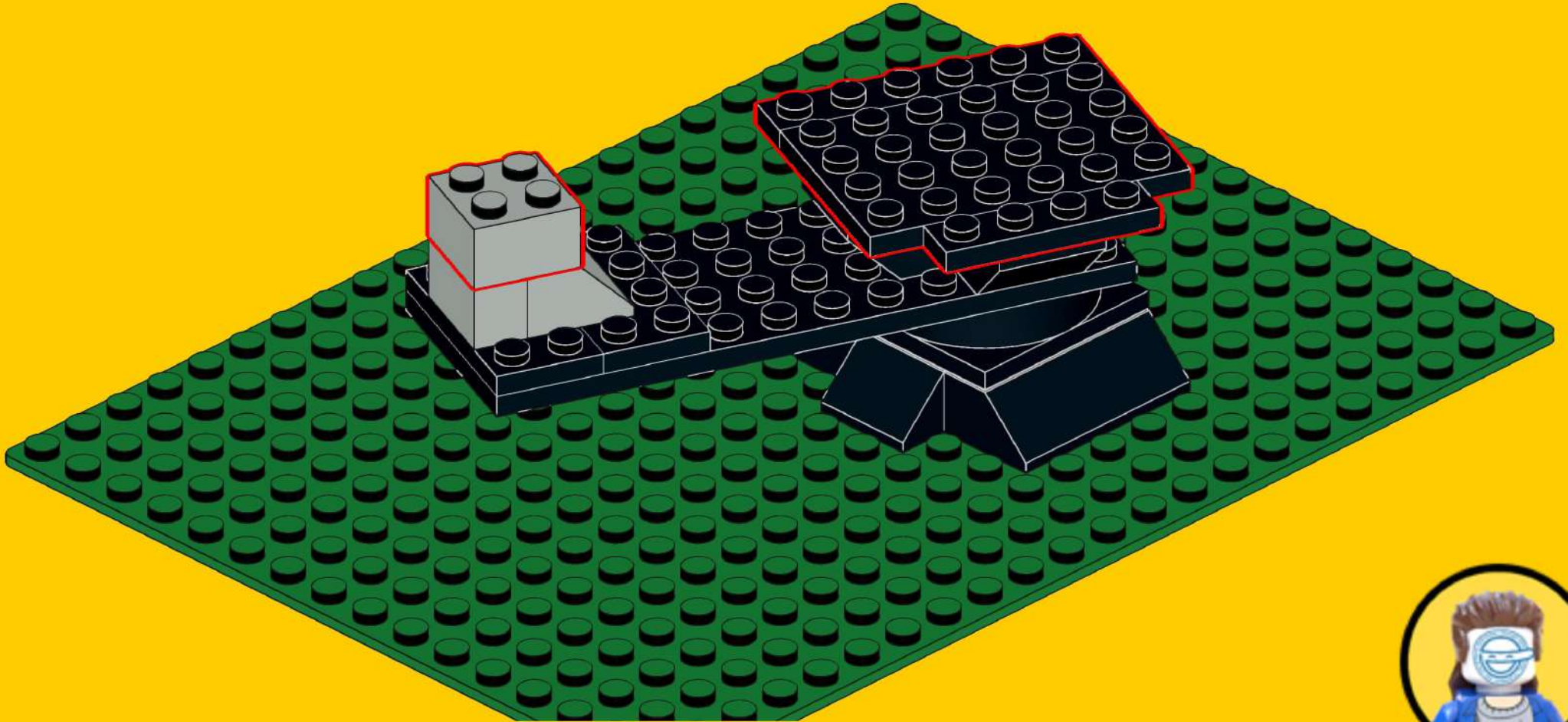
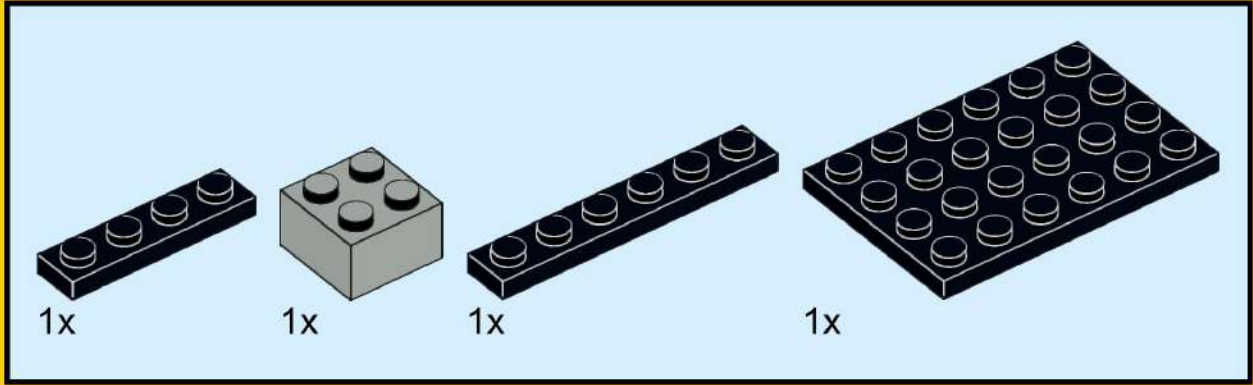
5



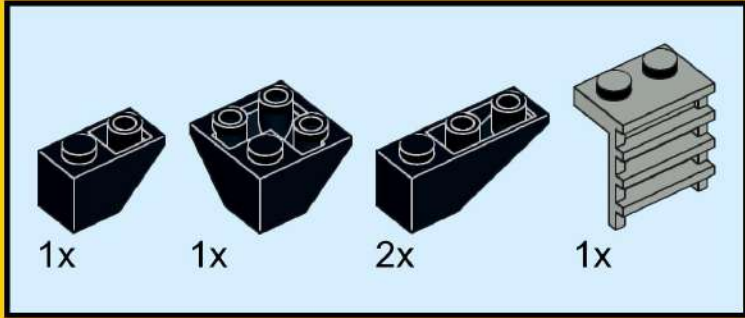
6



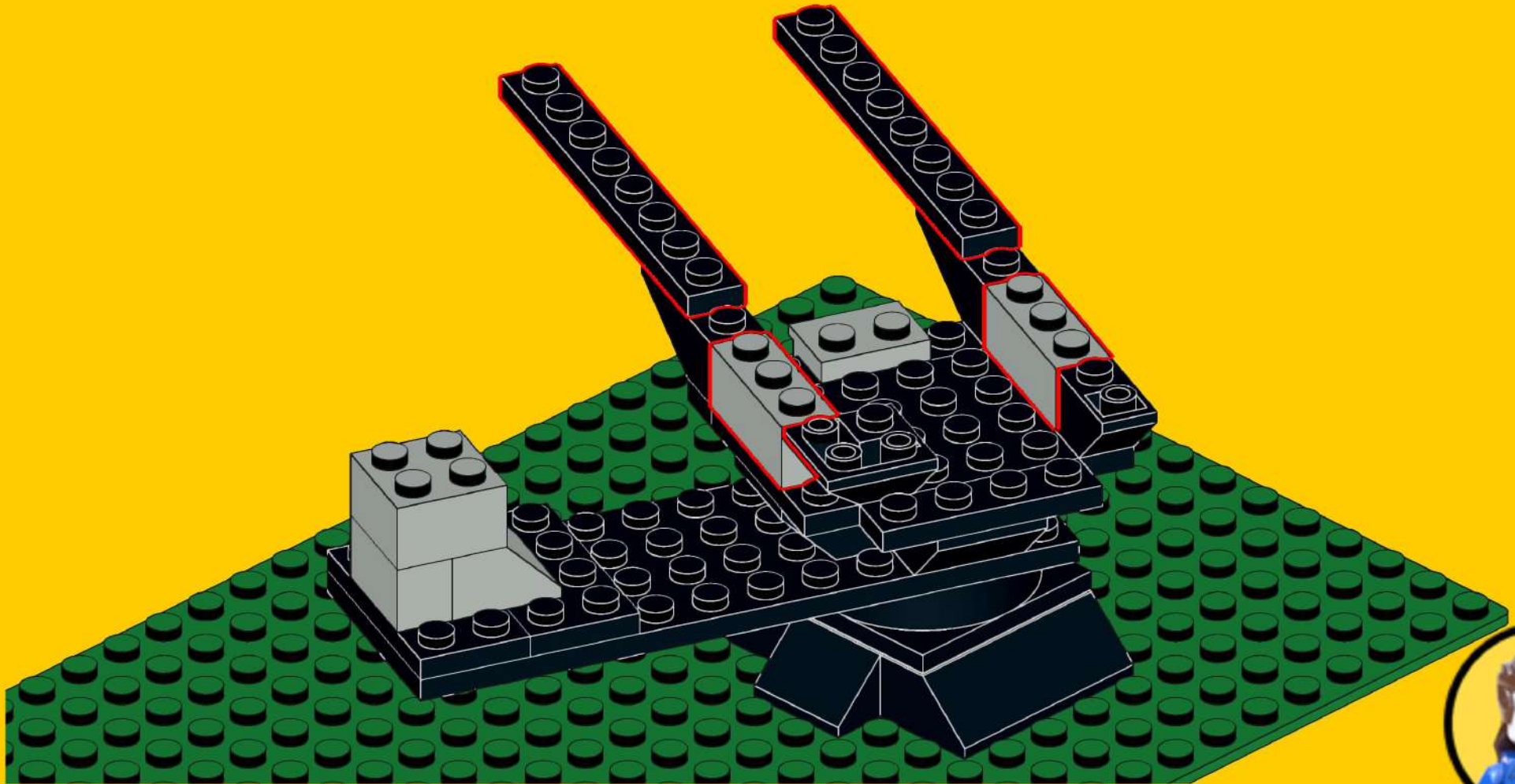
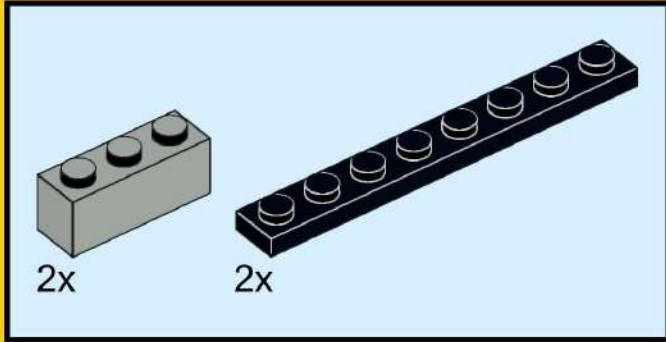
7



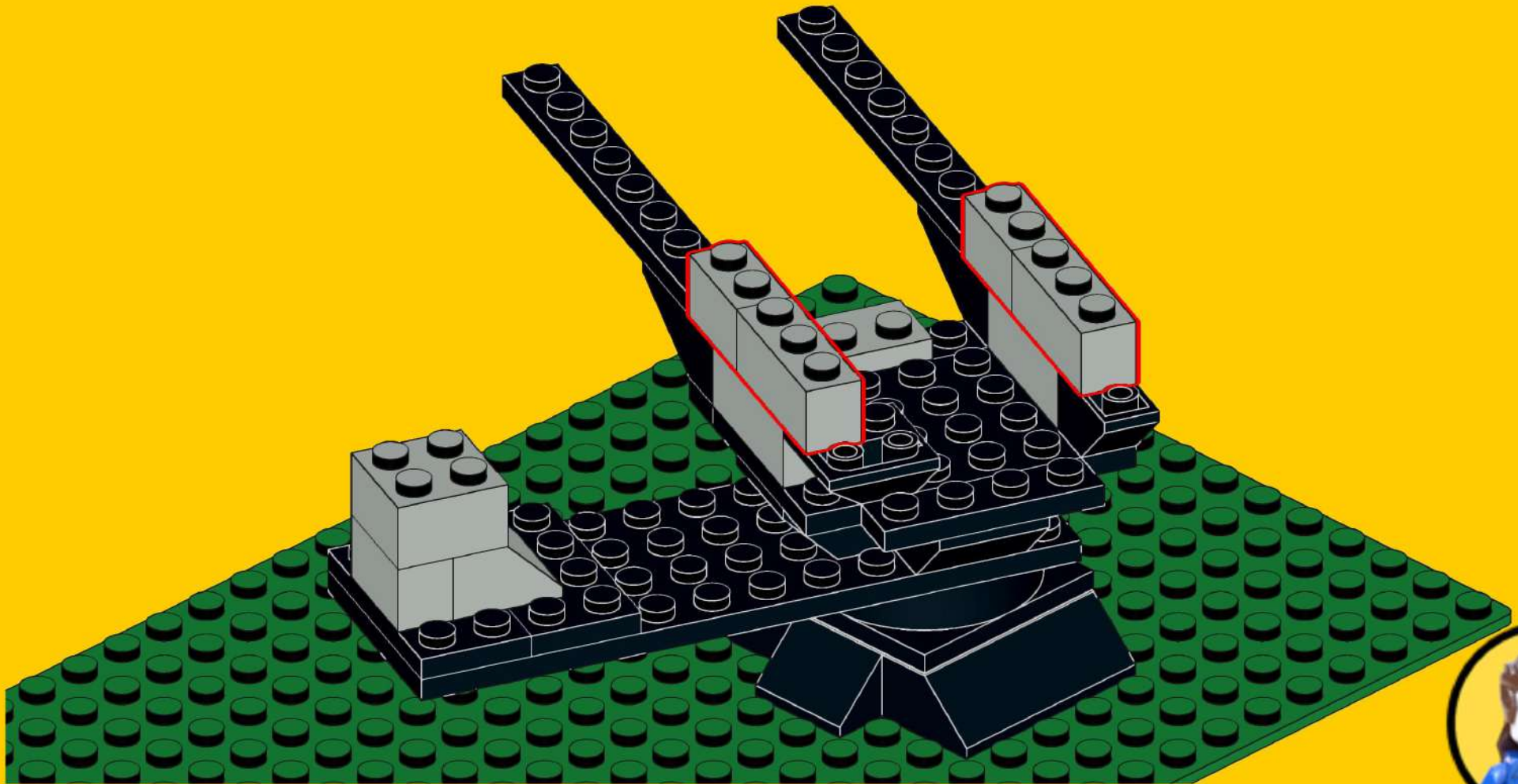
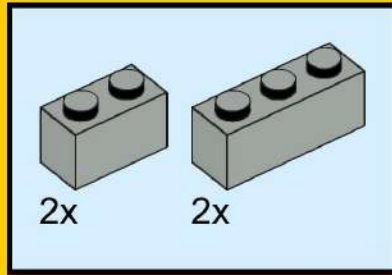
8



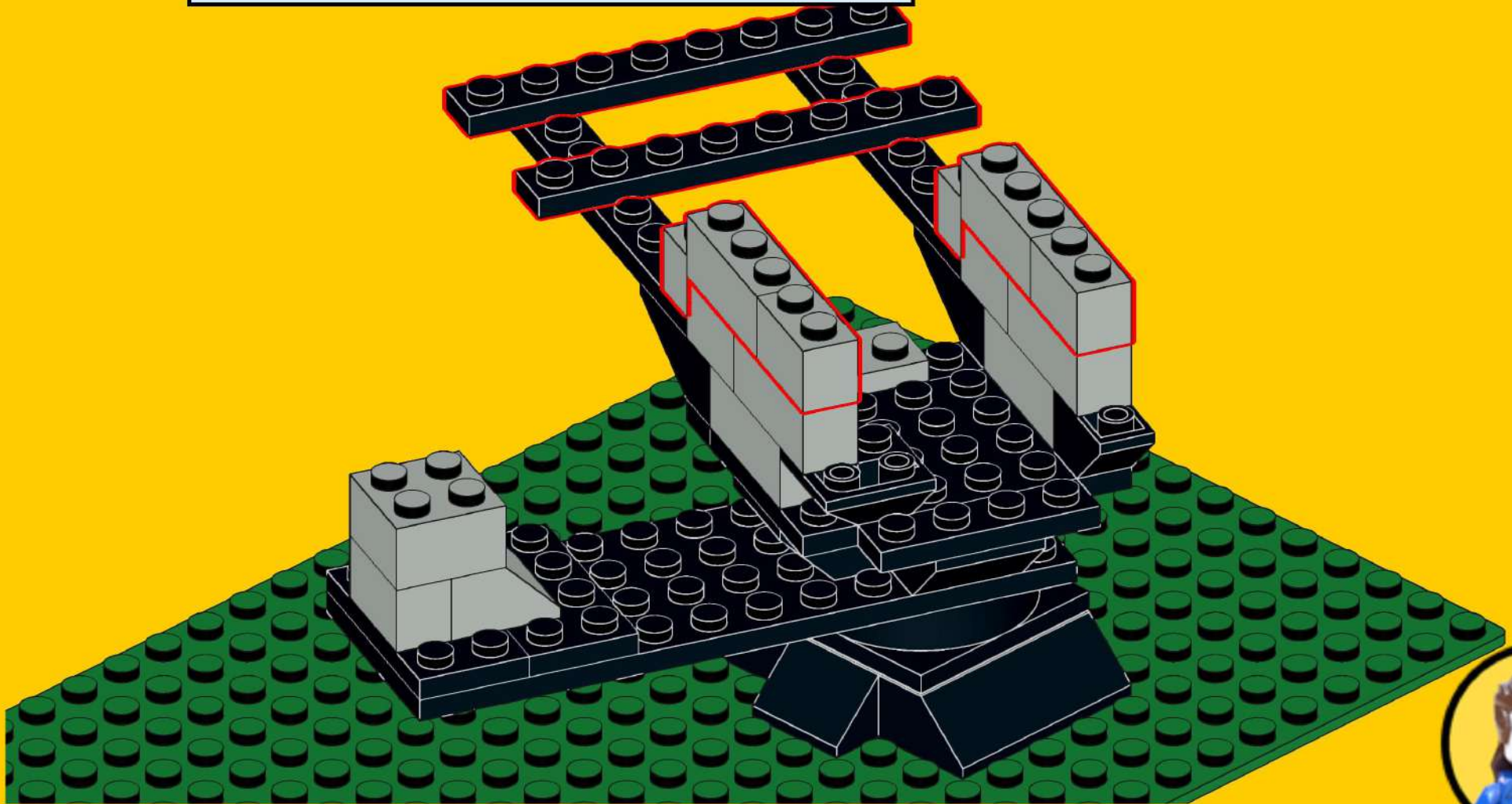
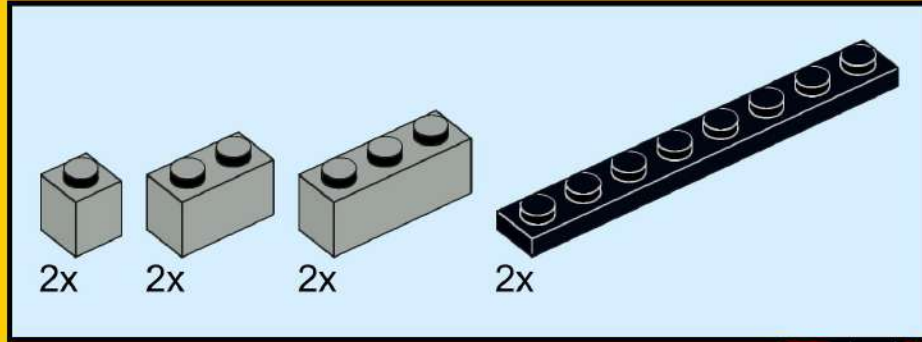
9



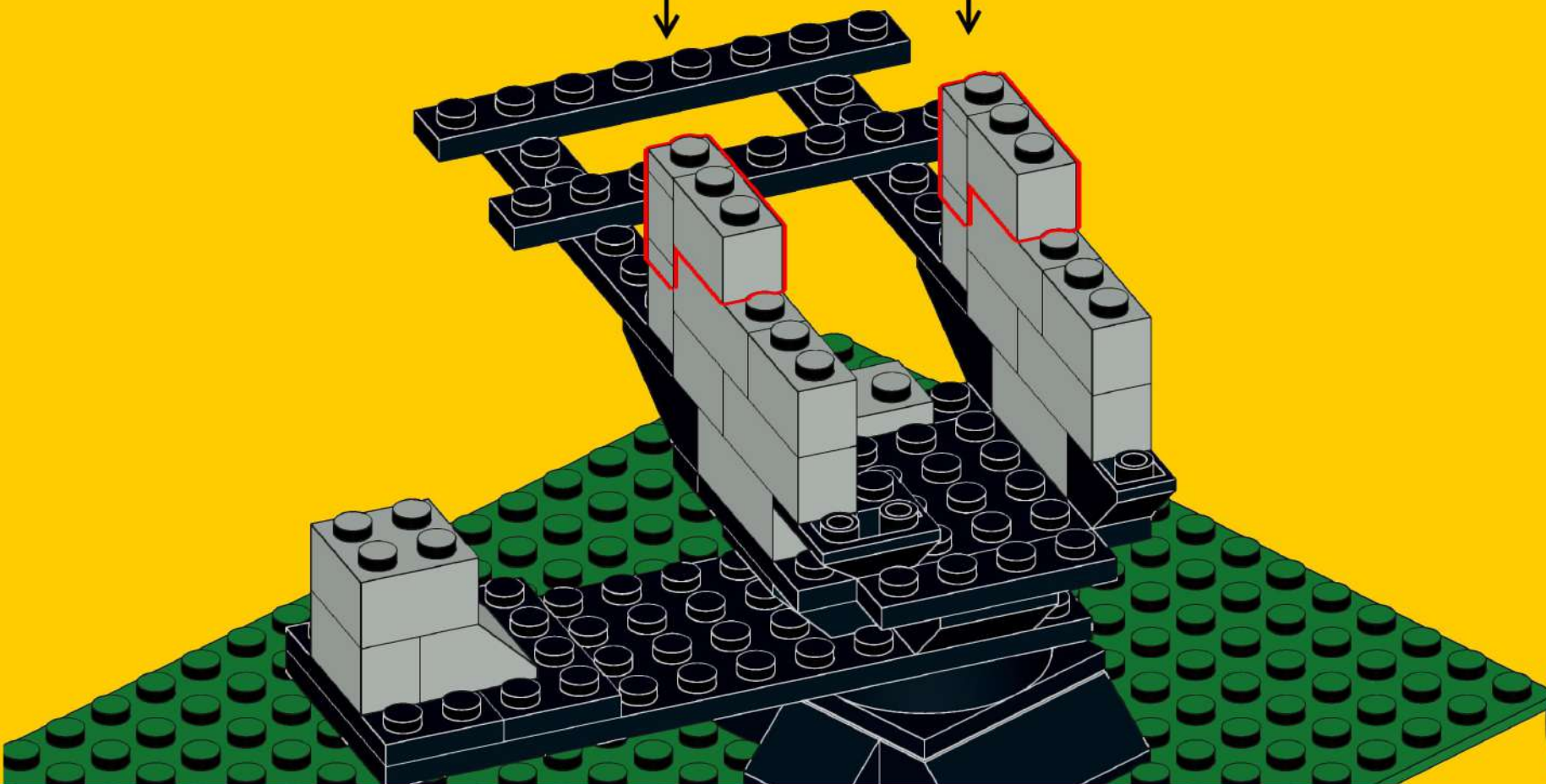
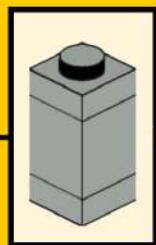
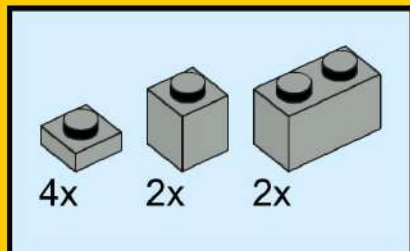
10



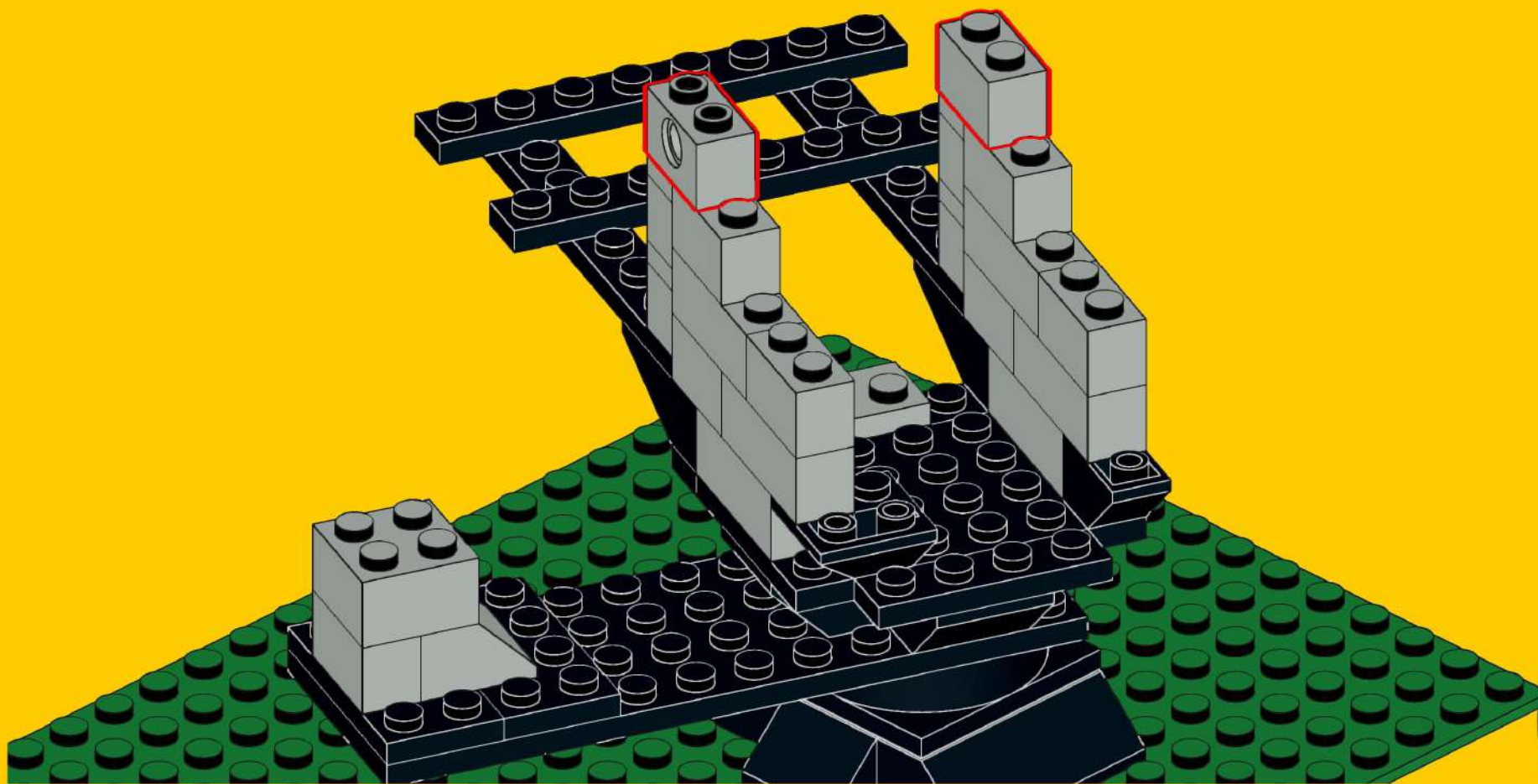
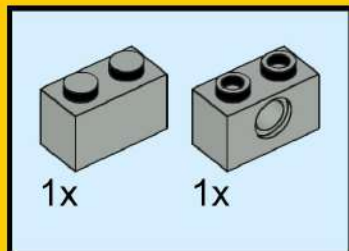
11



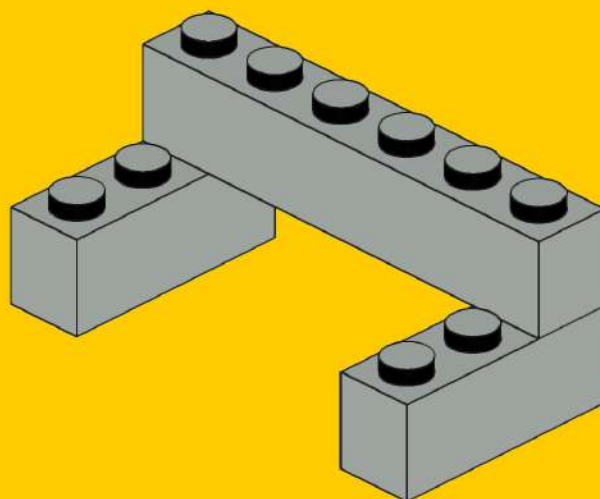
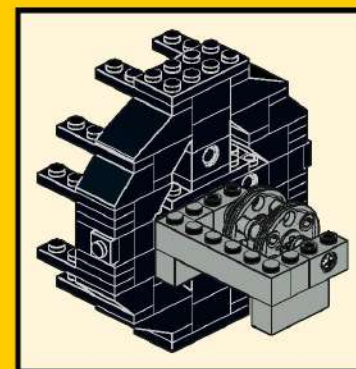
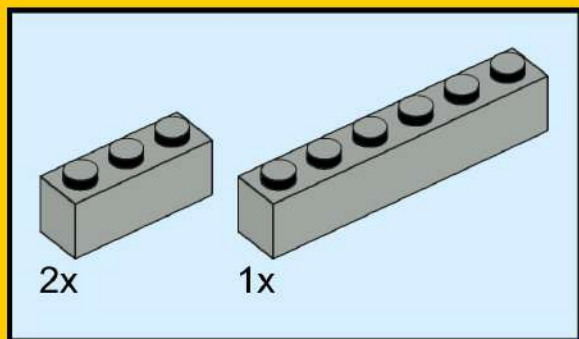
12



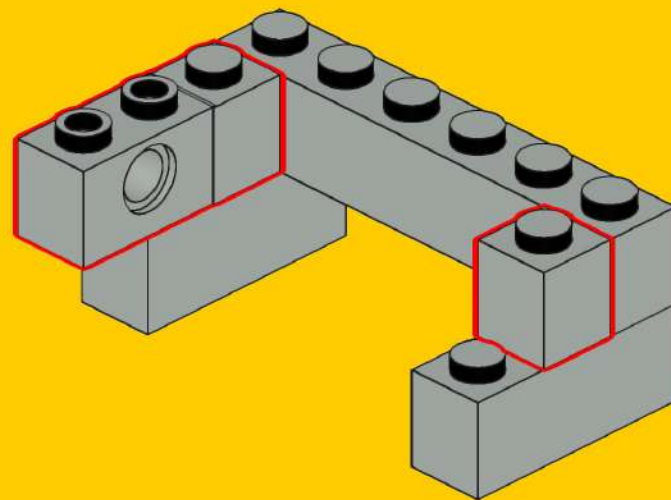
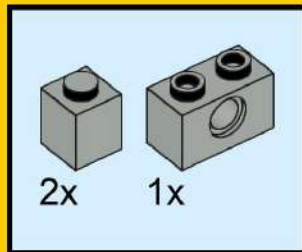
13



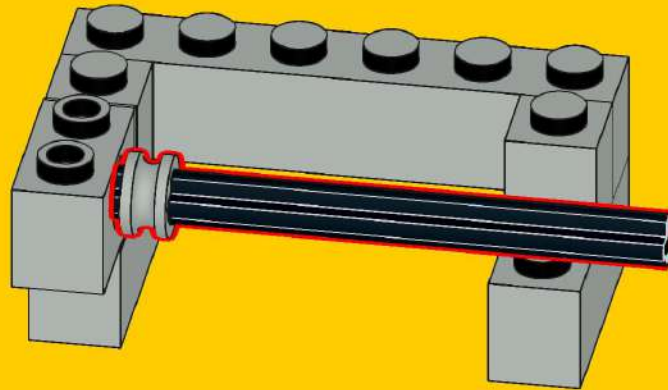
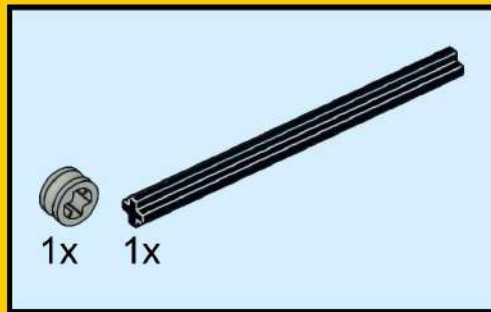
14



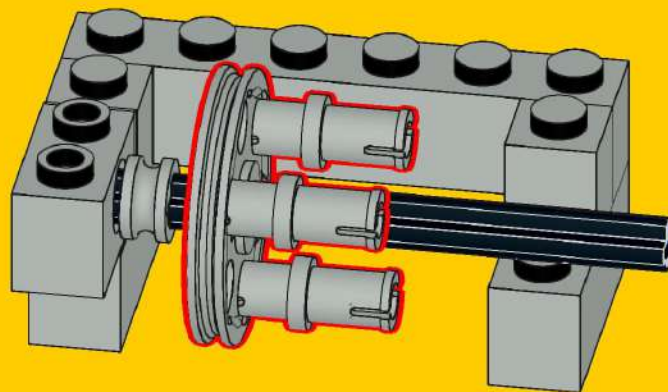
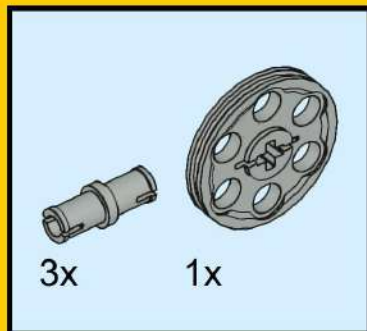
15



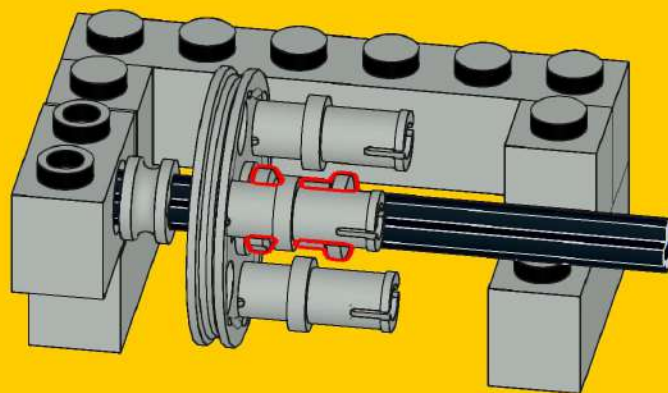
16



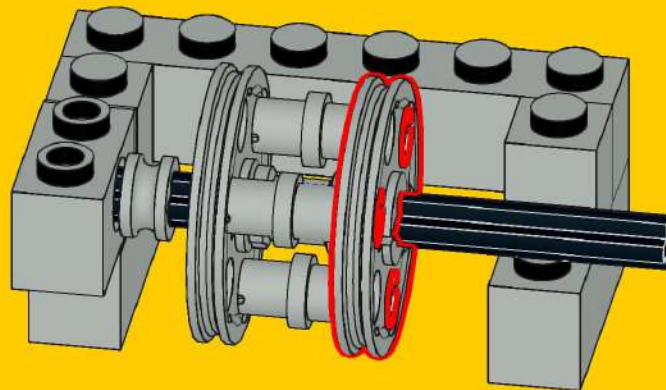
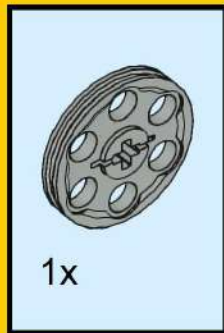
17



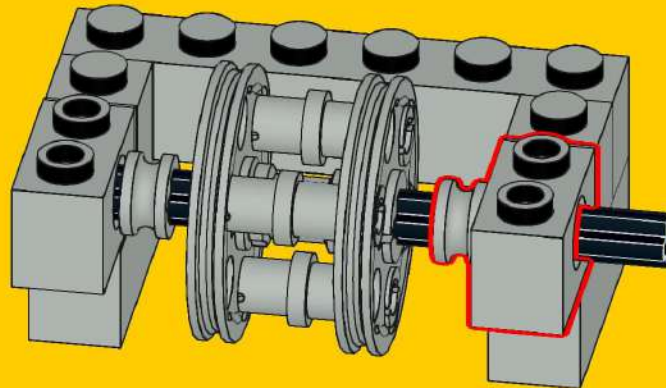
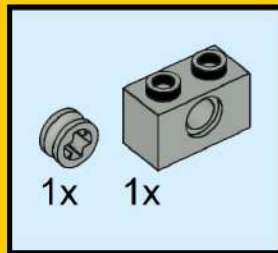
18



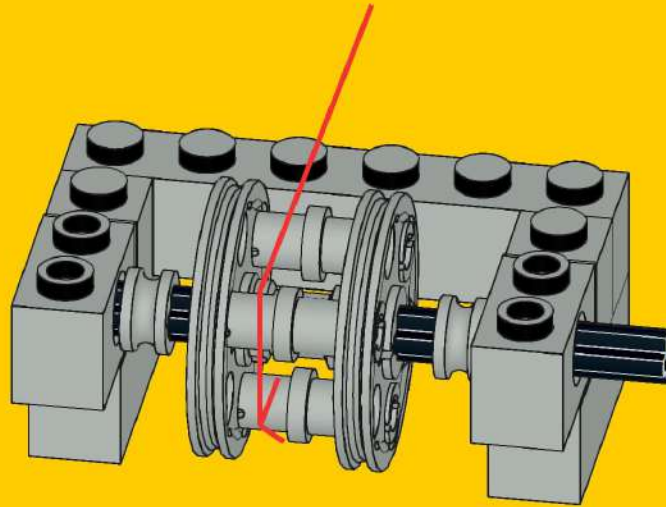
19



20



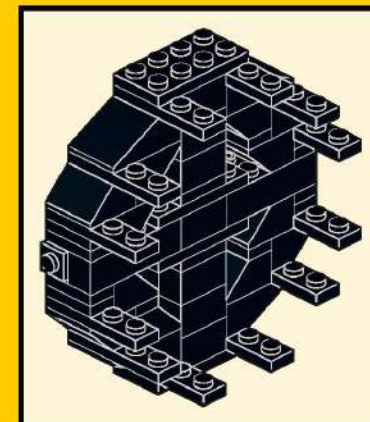
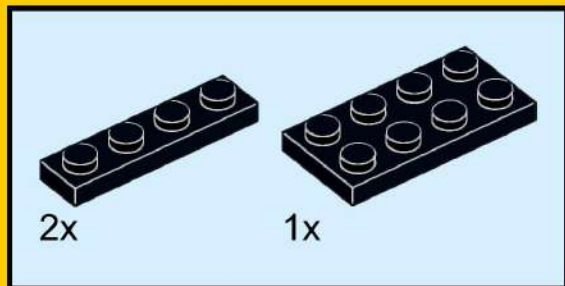
21



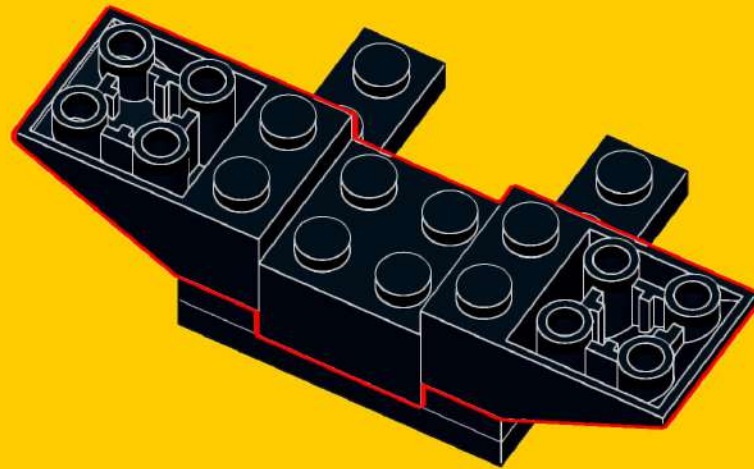
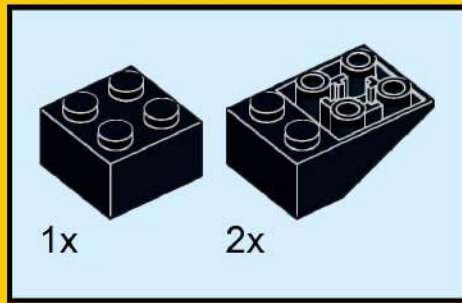
Tie rope to one of the pins



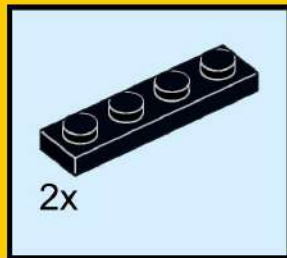
22



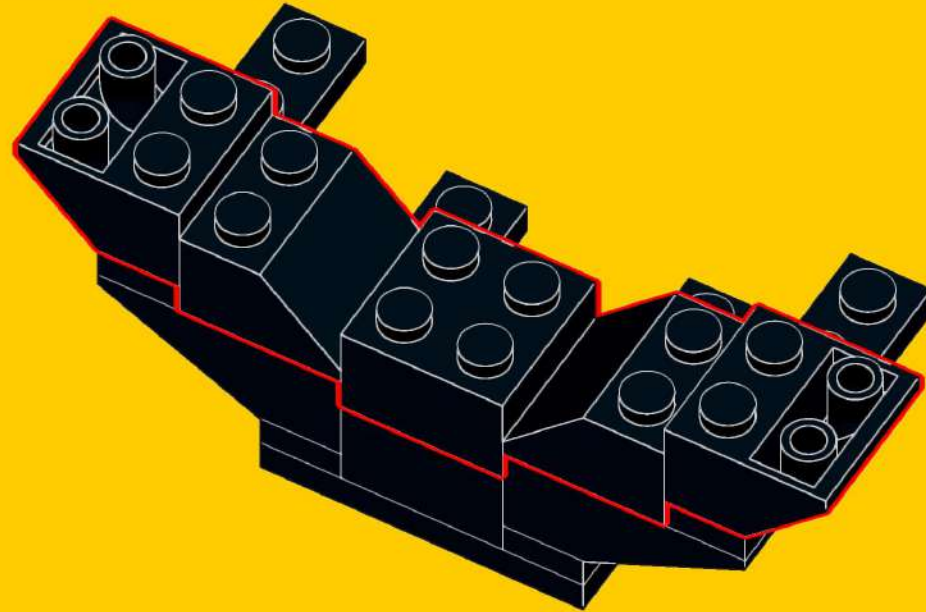
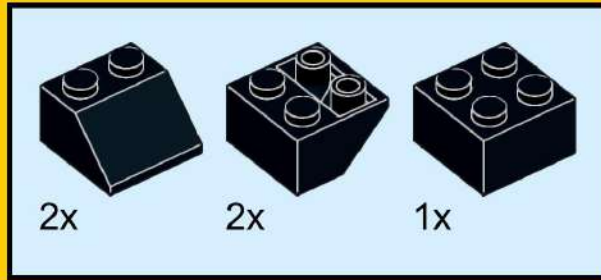
23



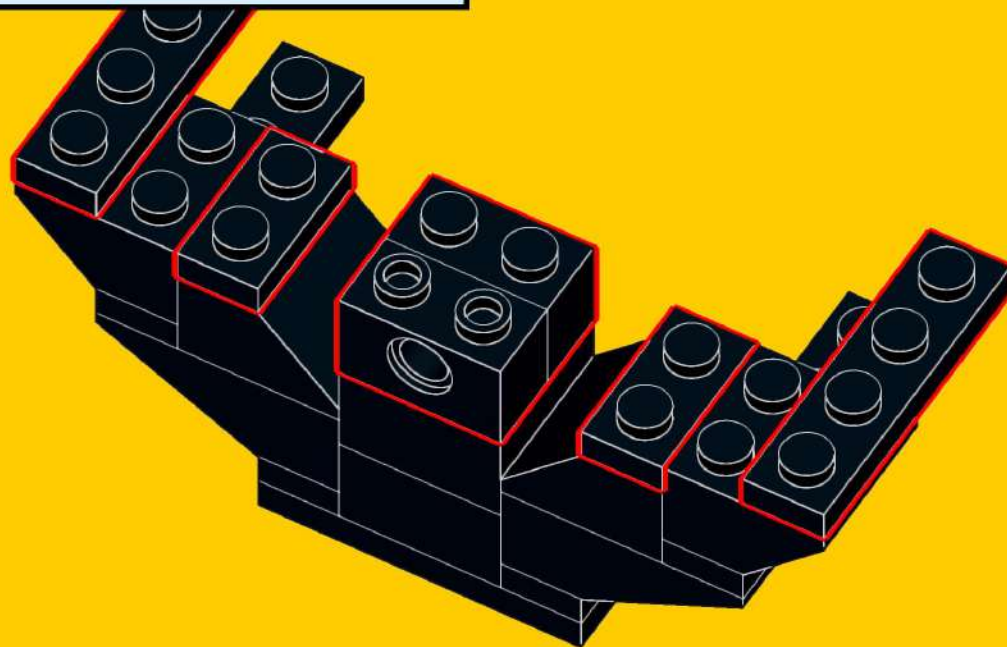
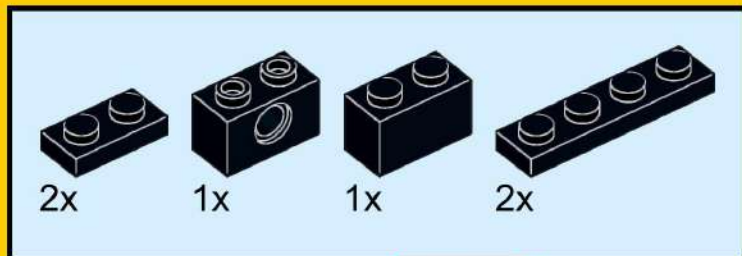
24



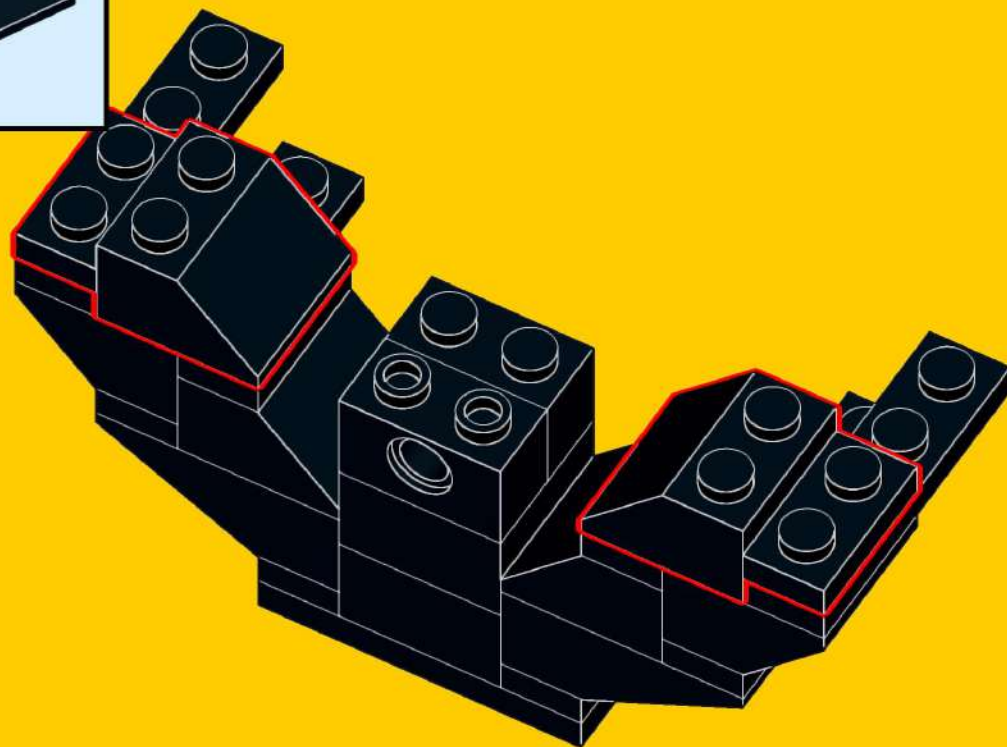
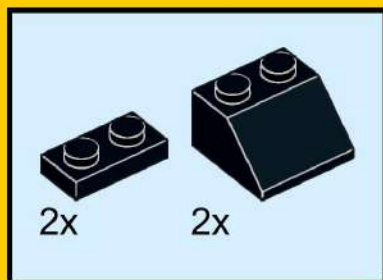
25



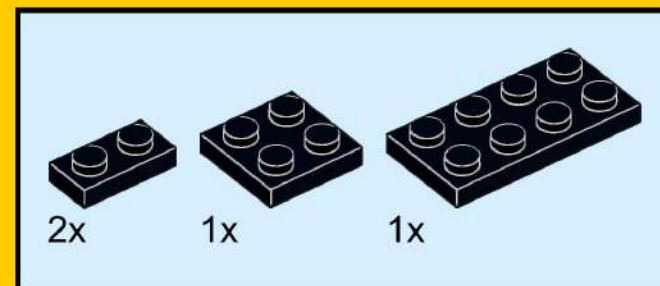
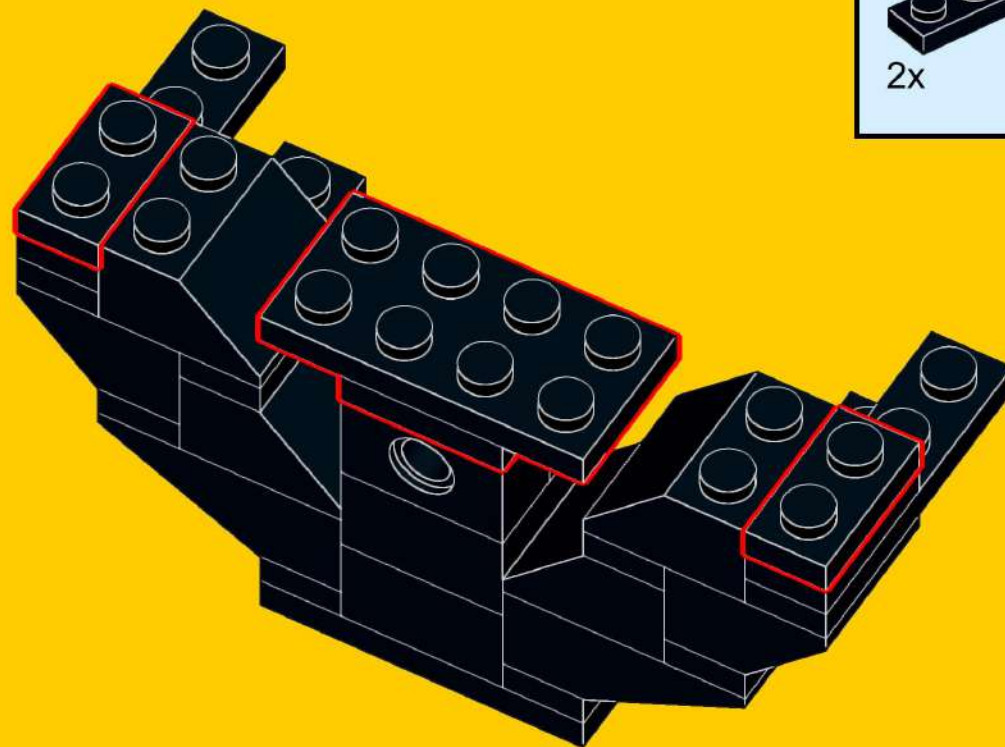
26



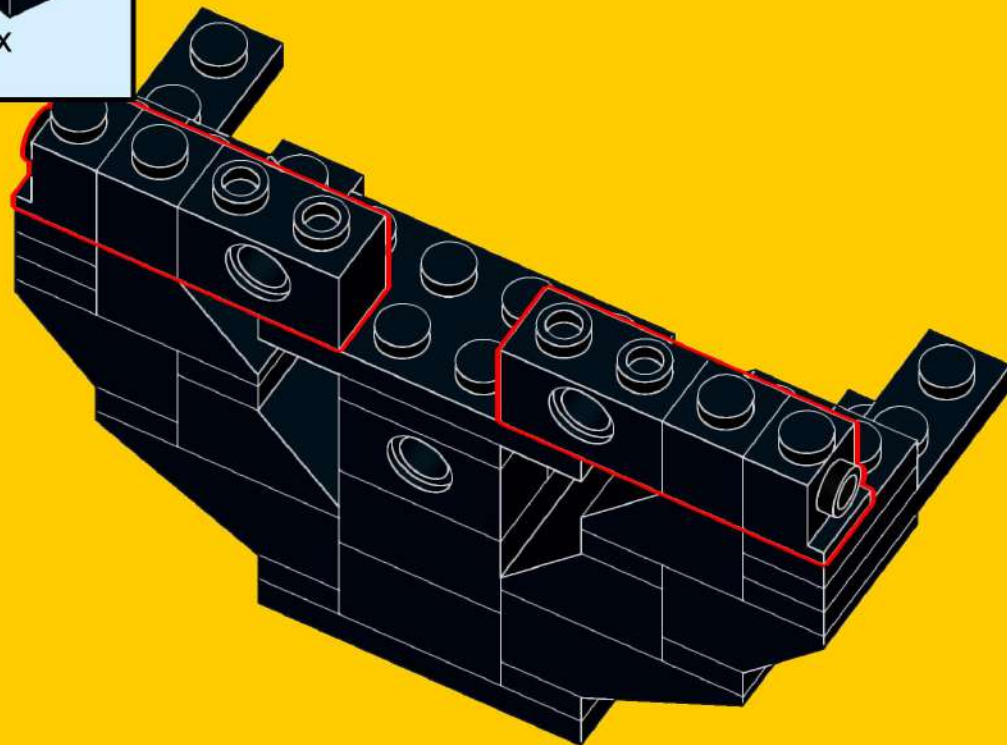
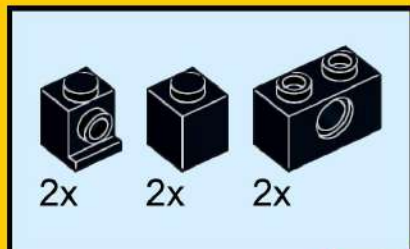
27



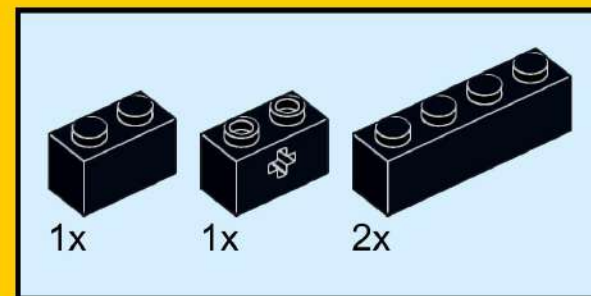
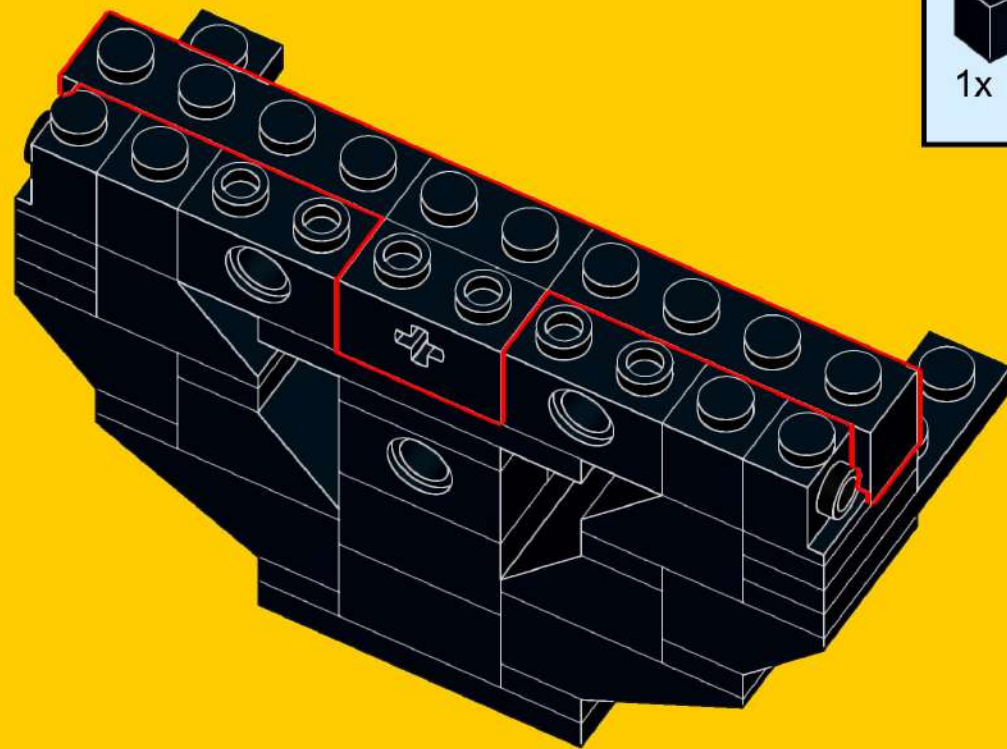
28



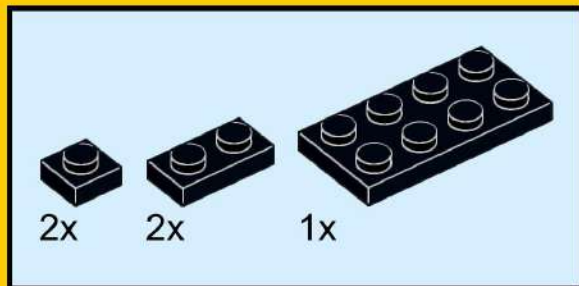
29



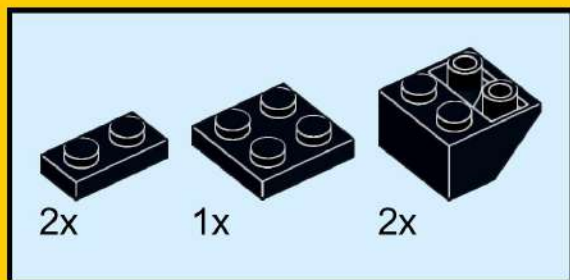
30



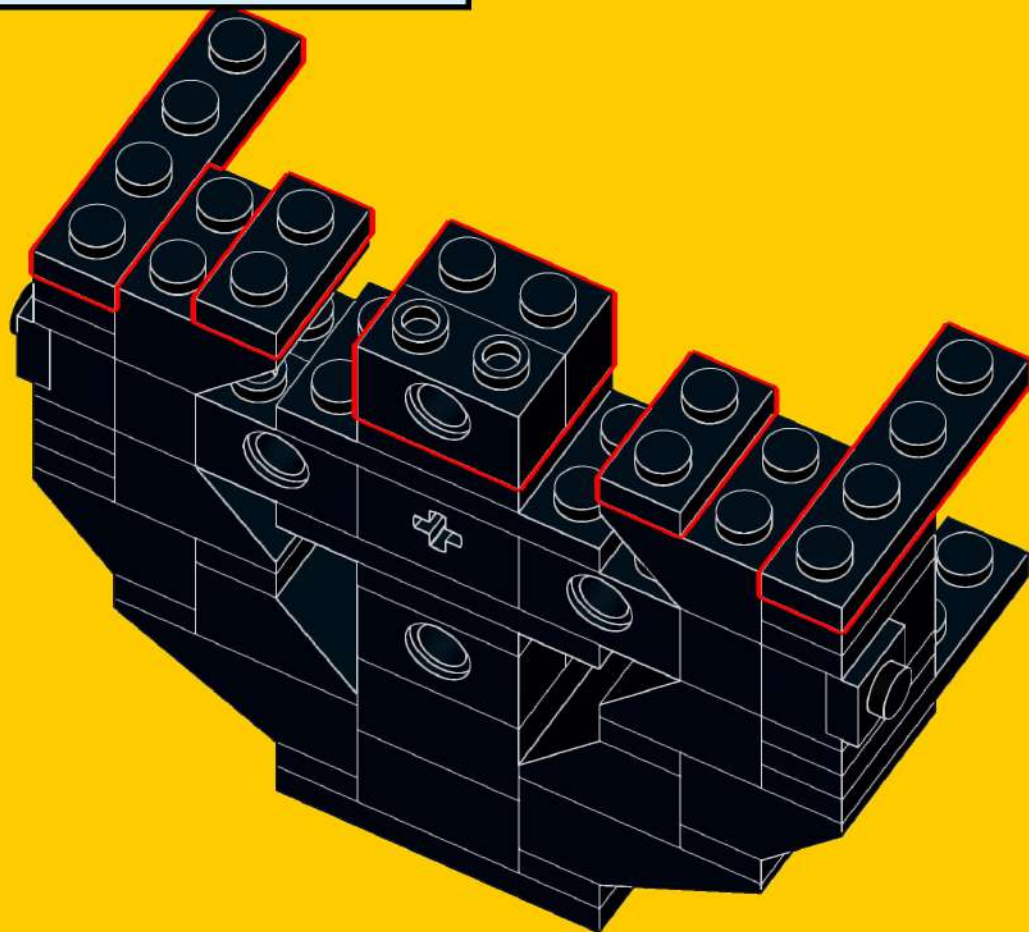
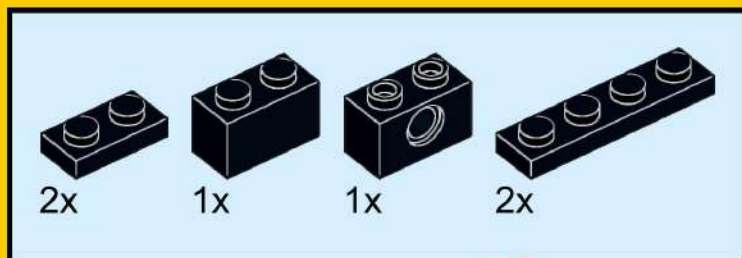
31



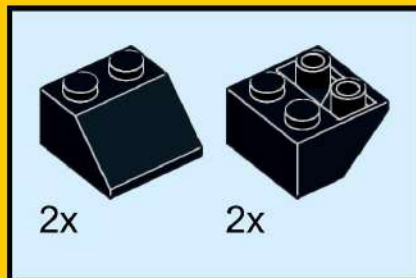
32



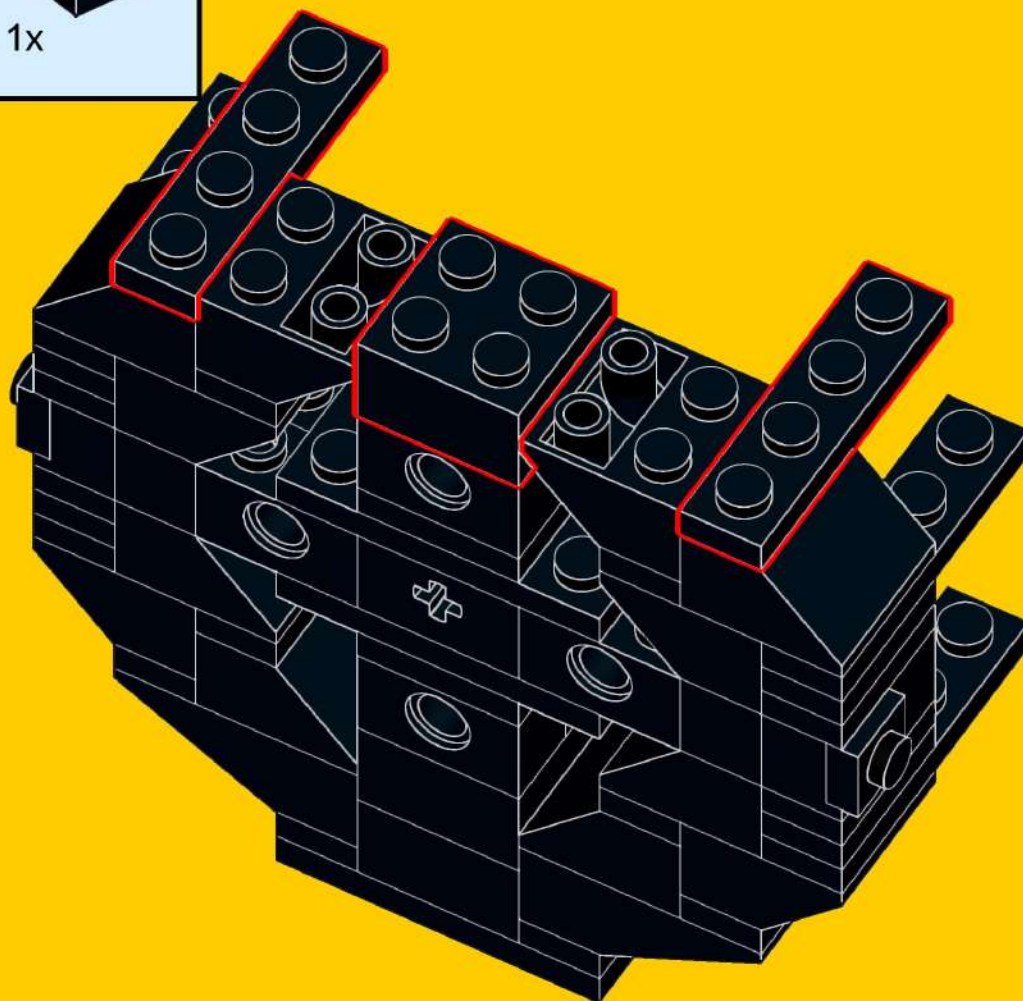
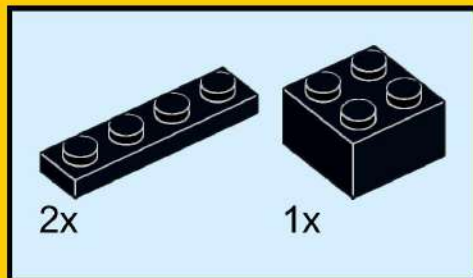
33



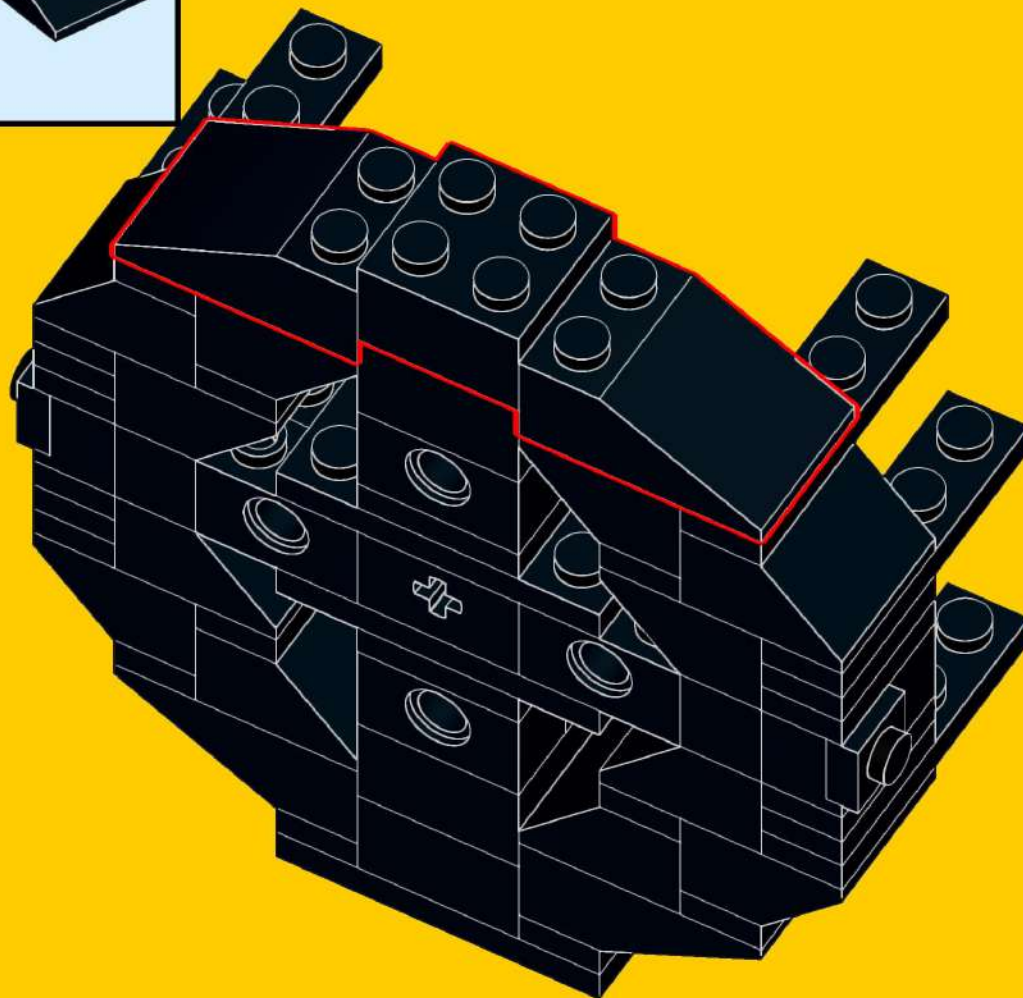
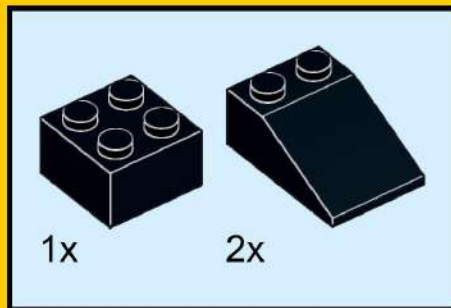
34



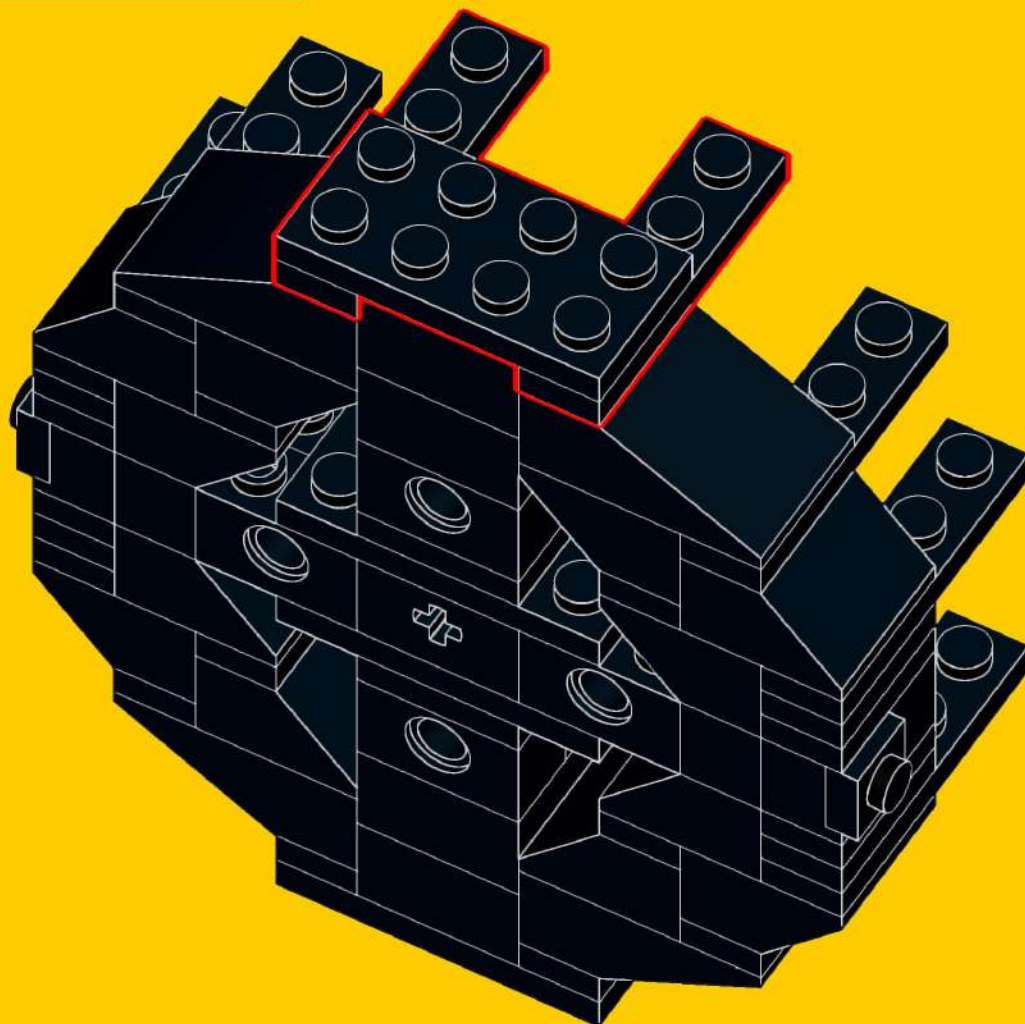
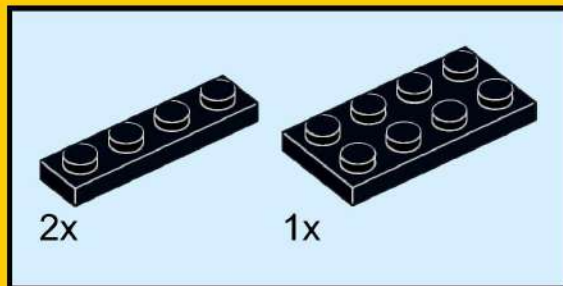
35



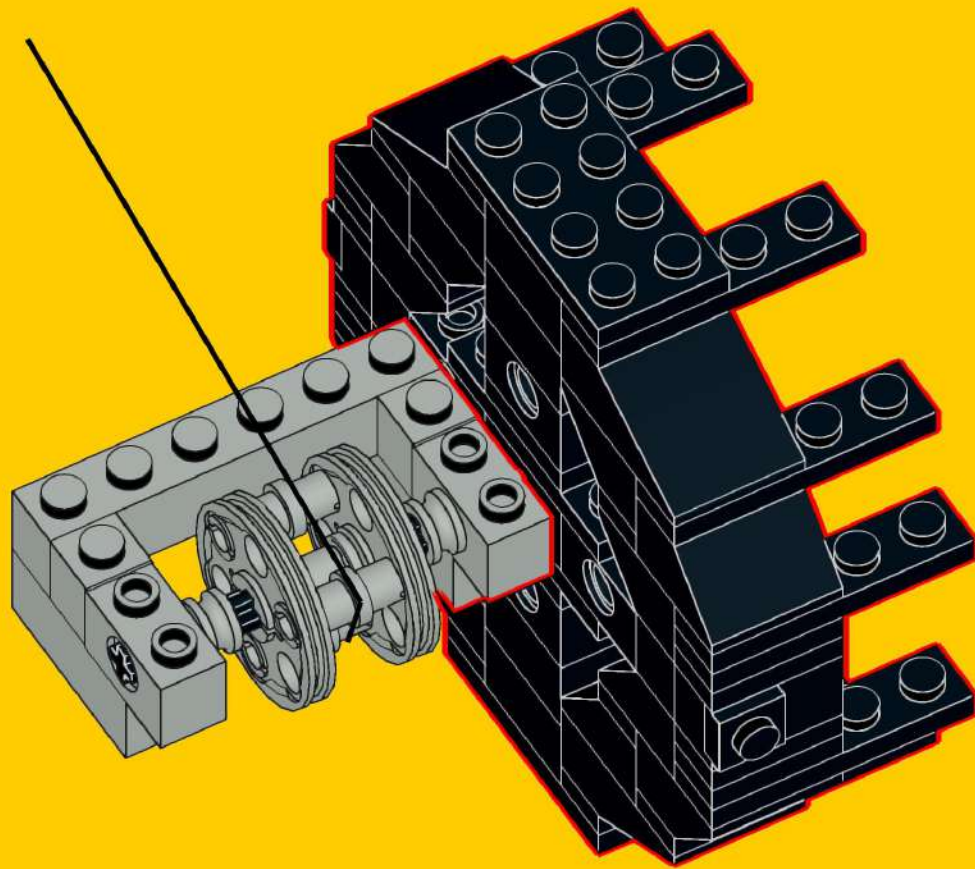
36



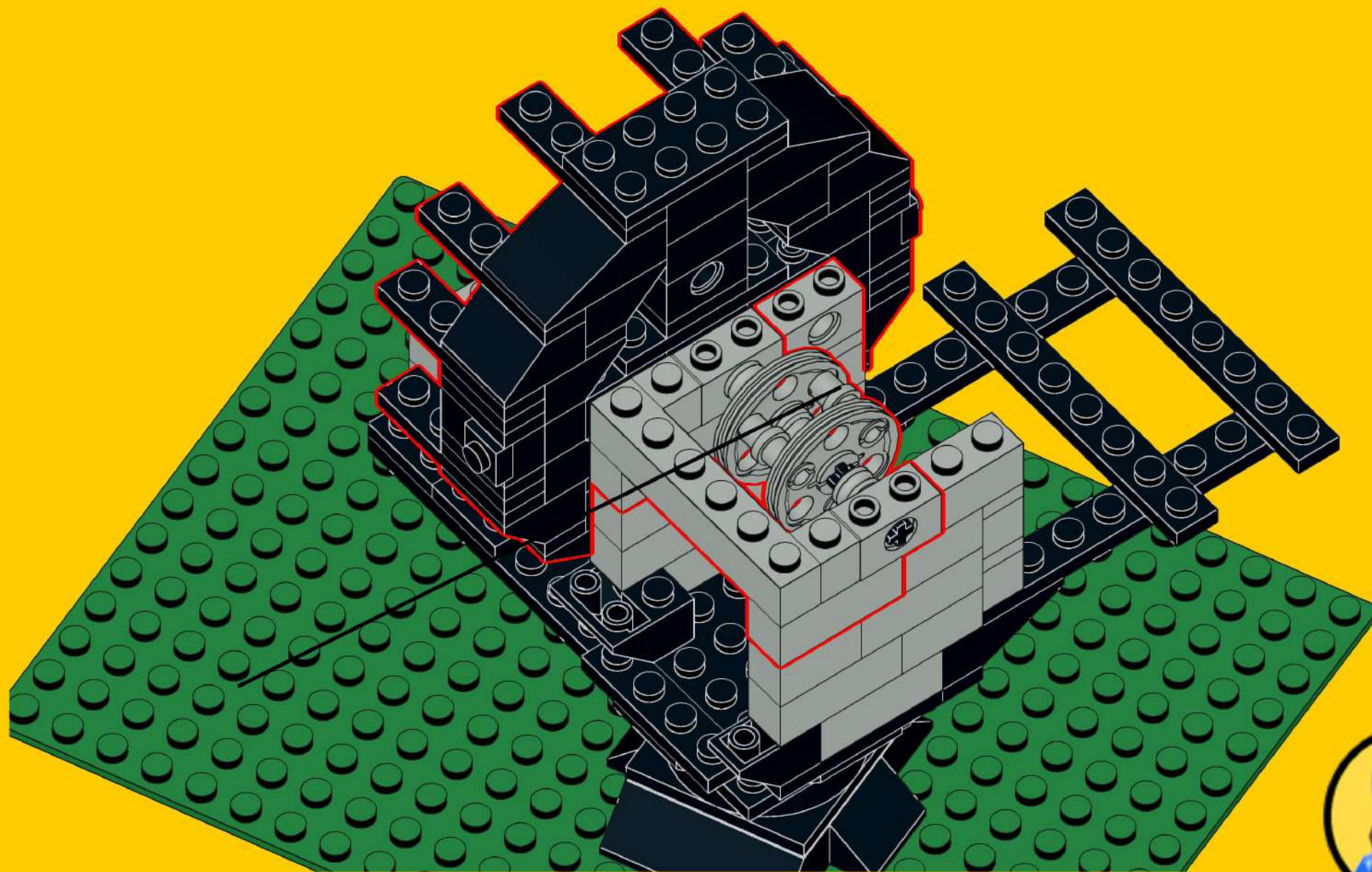
37



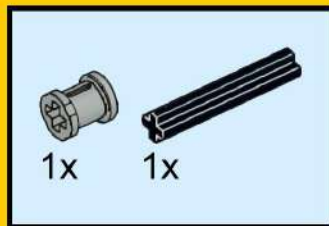
38



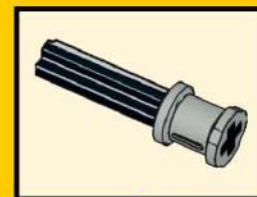
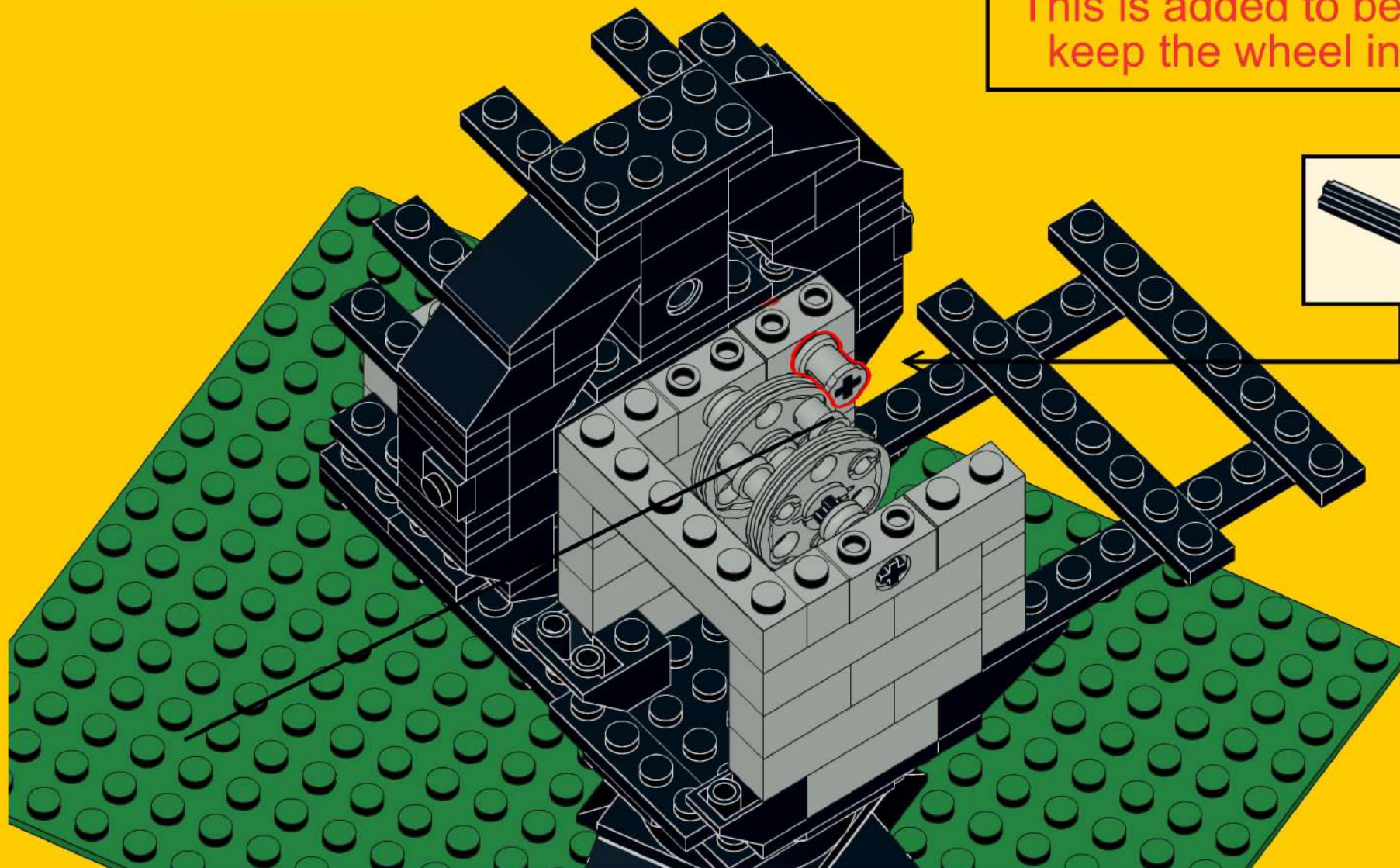
39



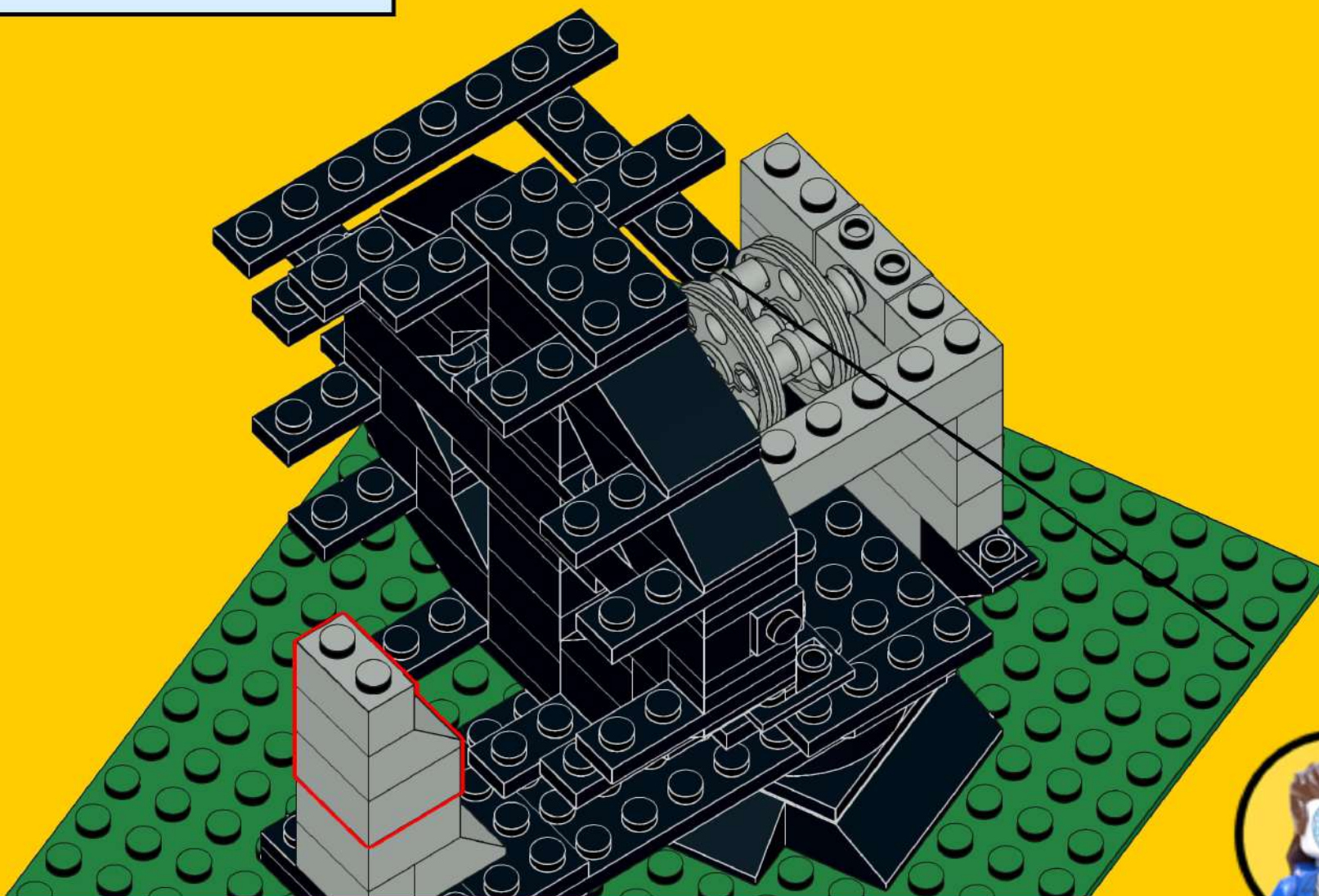
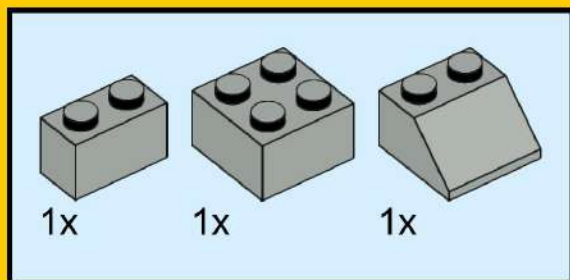
40



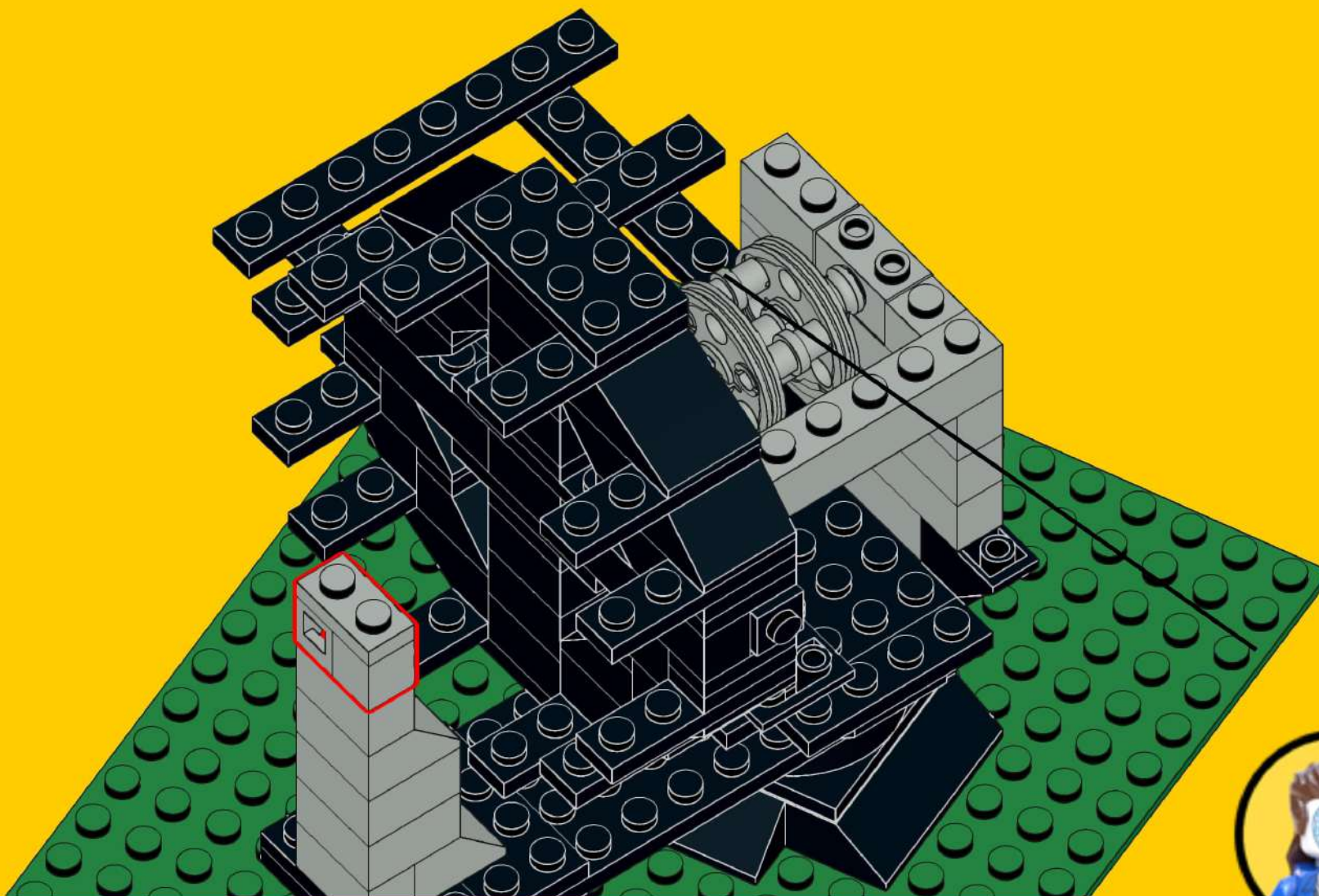
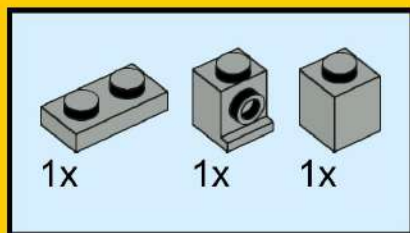
This is added to be able to keep the wheel in place



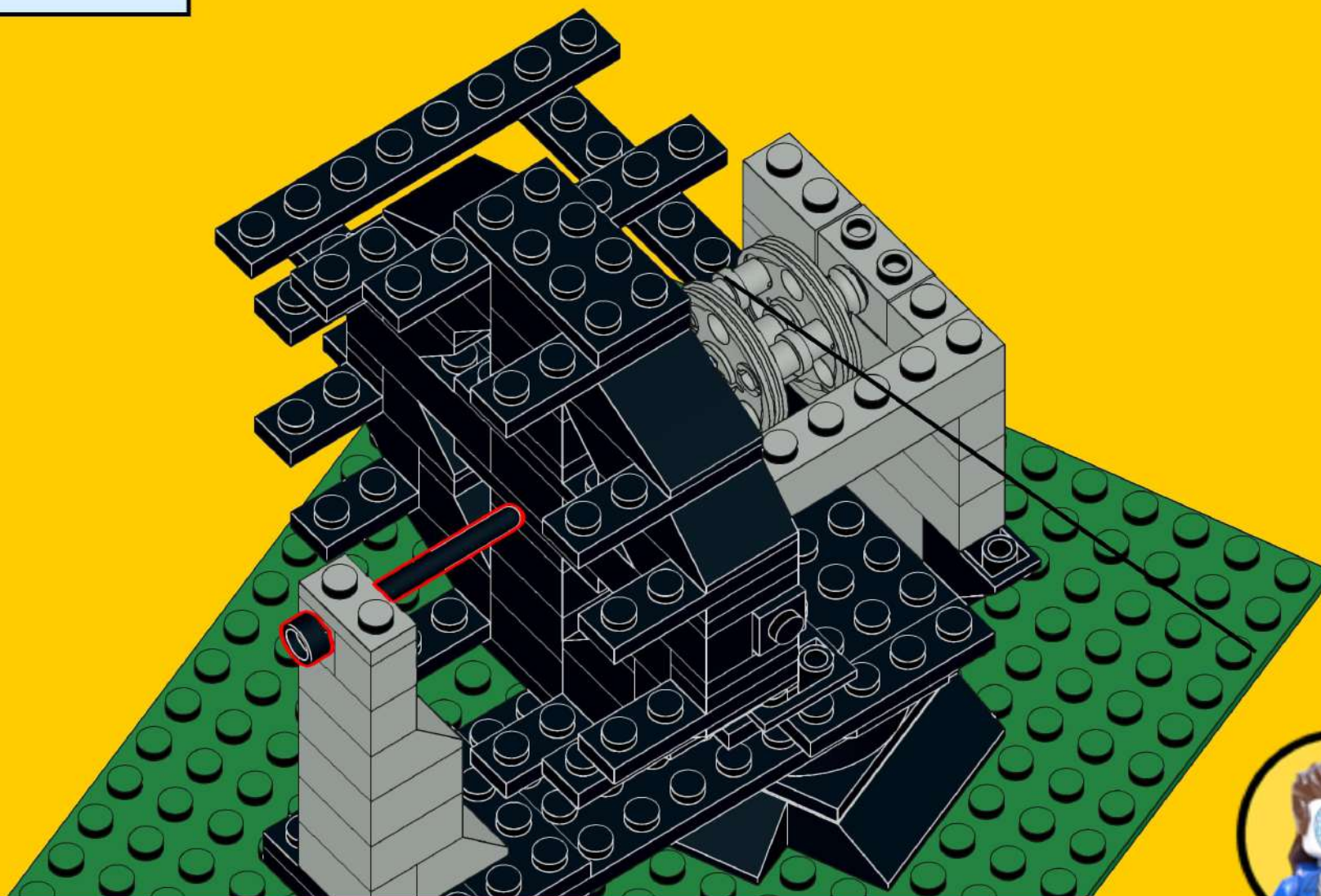
41



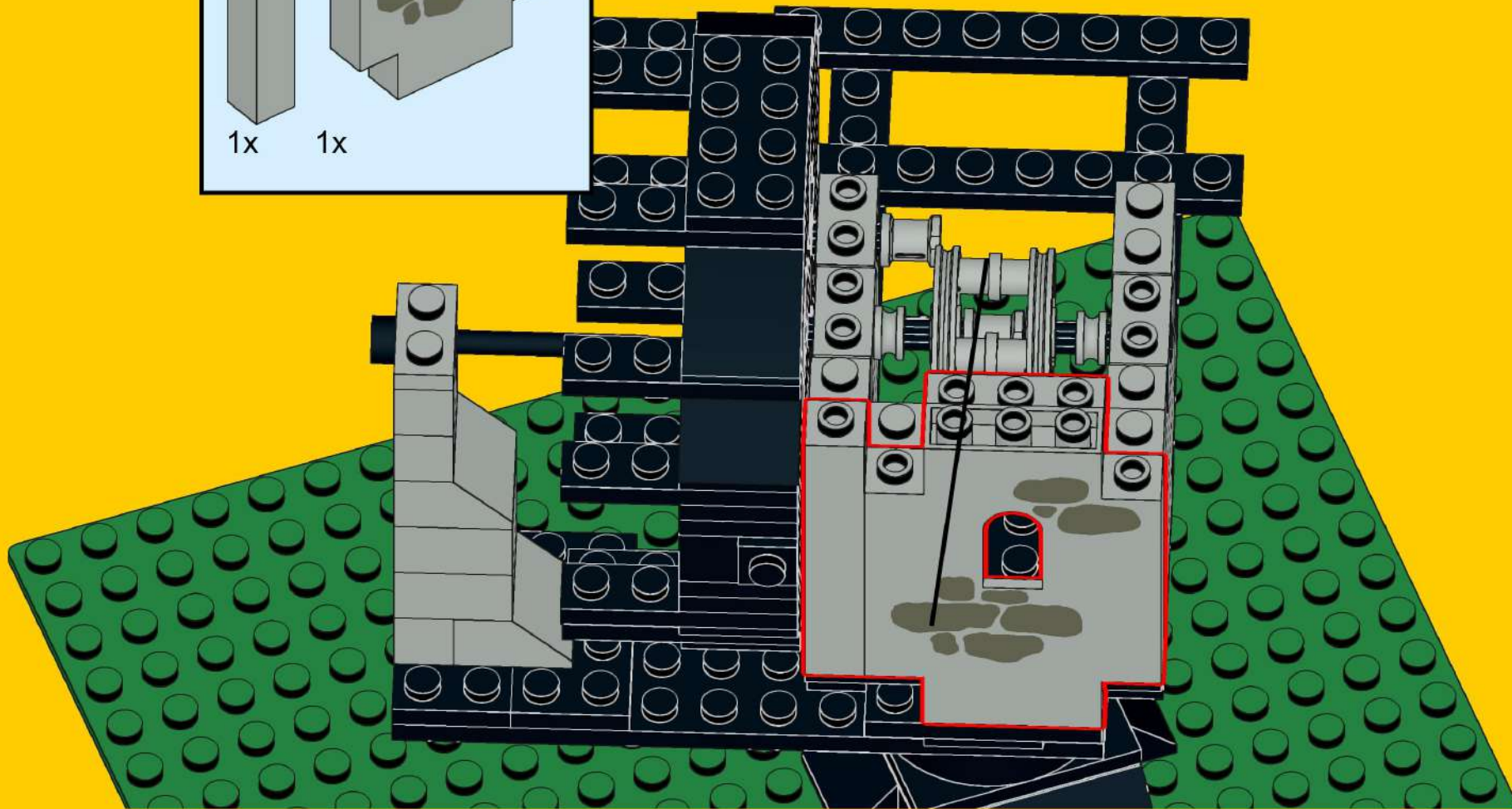
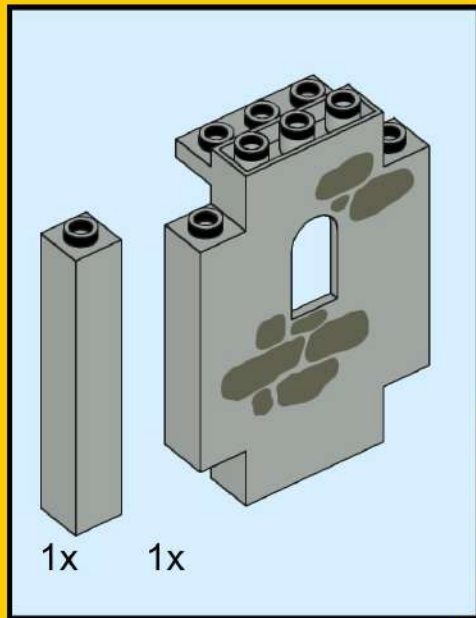
42



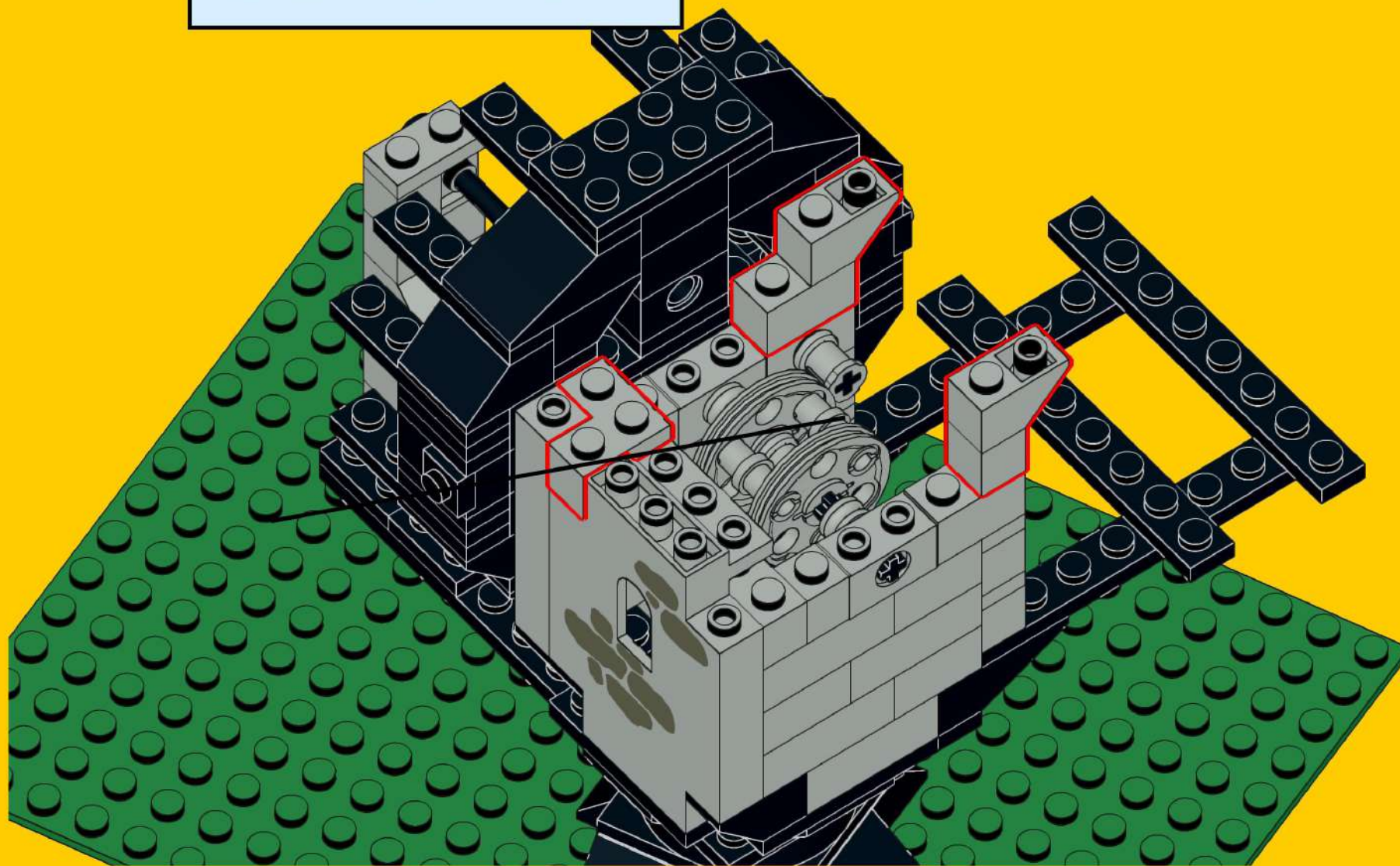
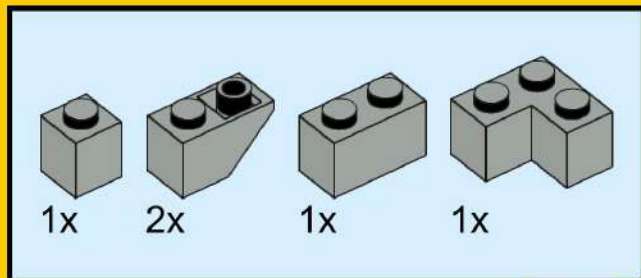
43



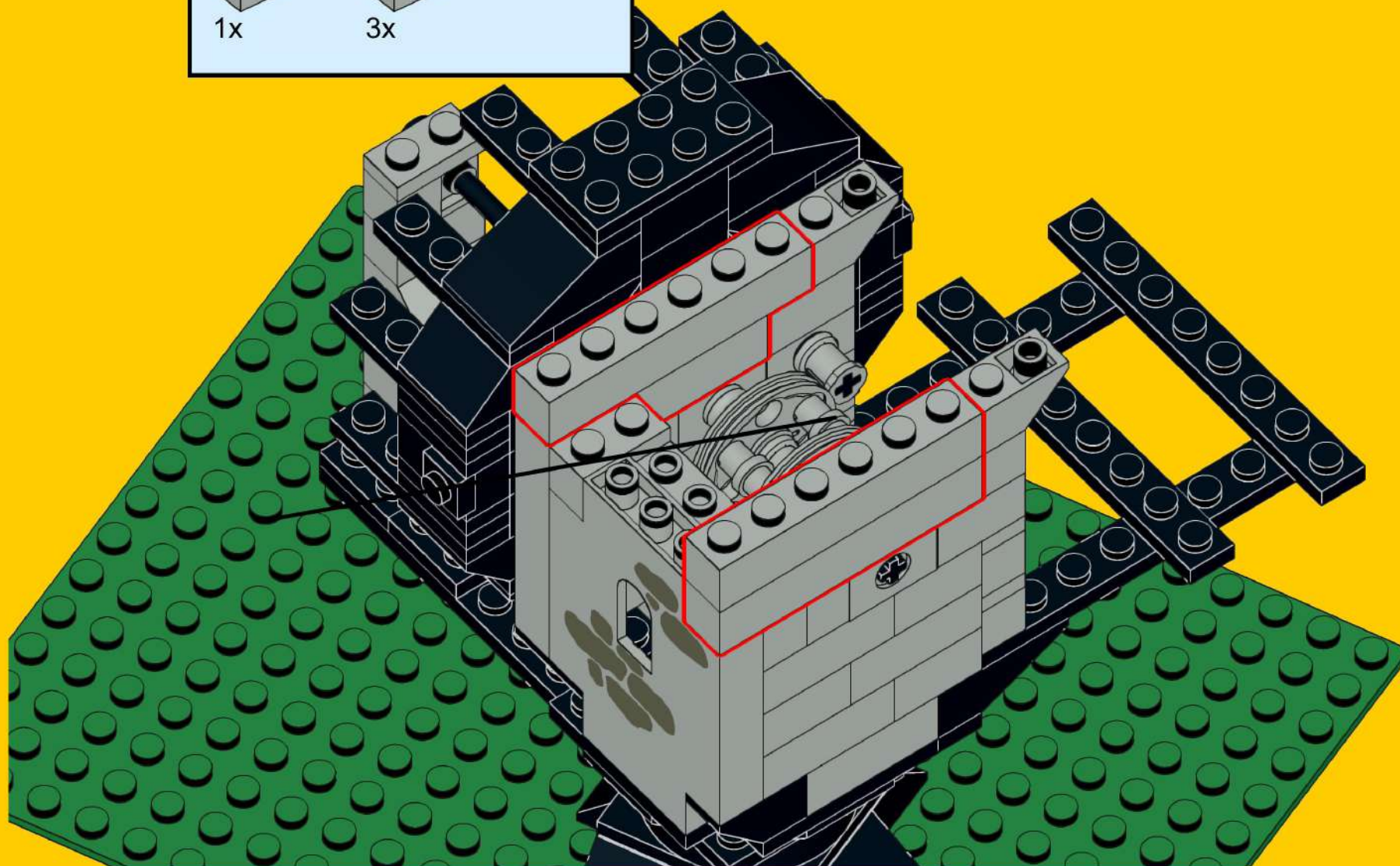
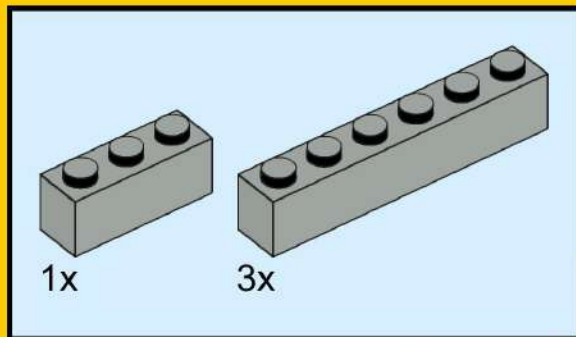
44



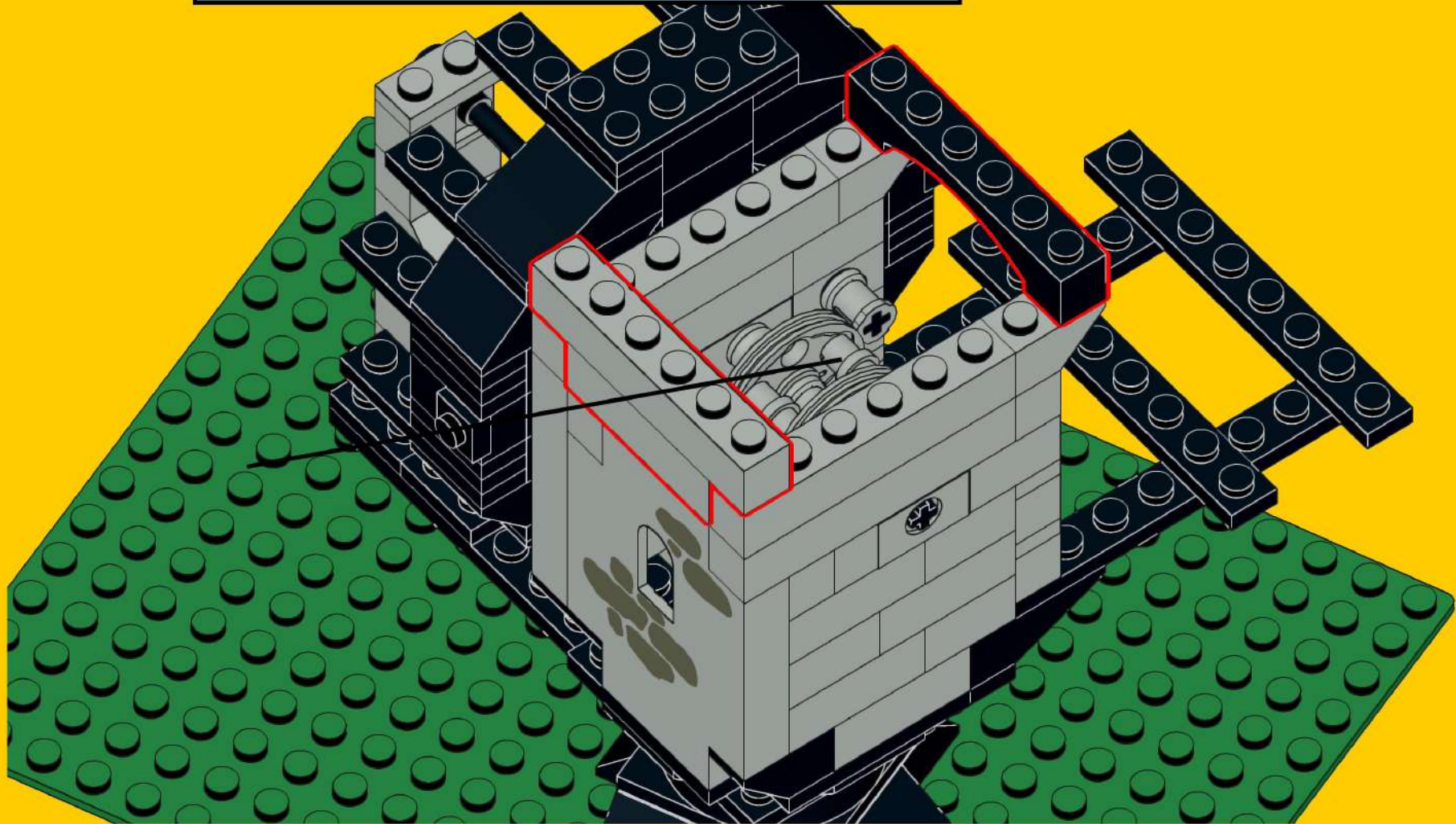
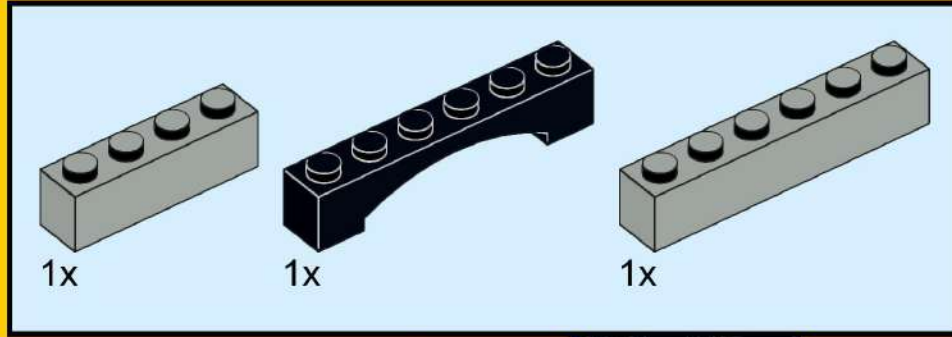
45



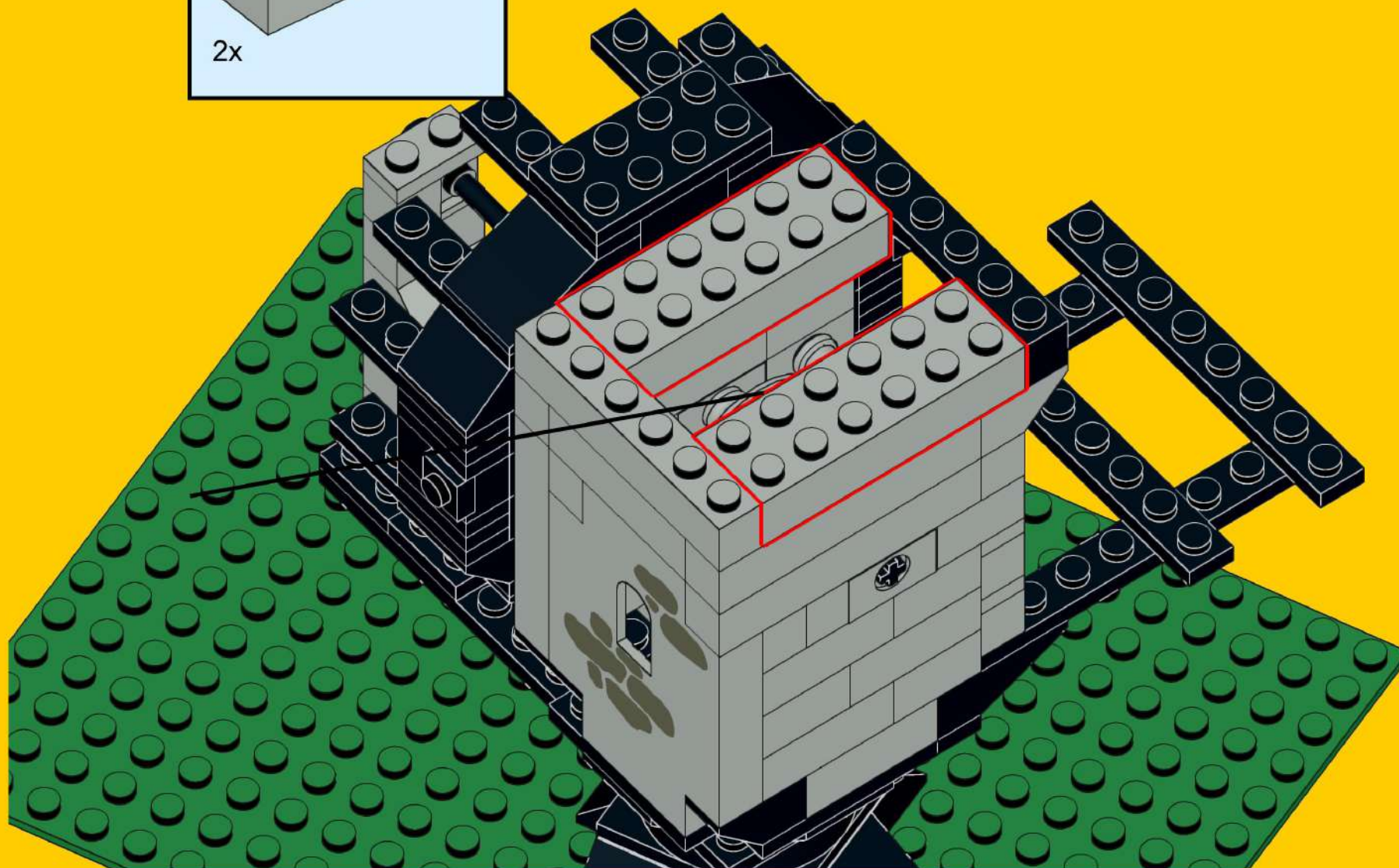
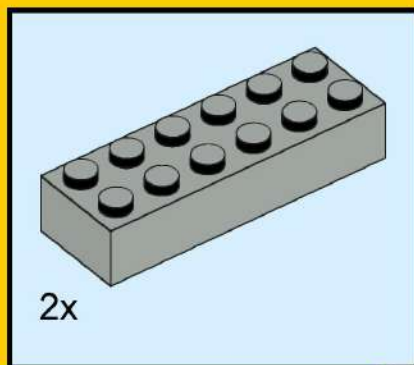
46



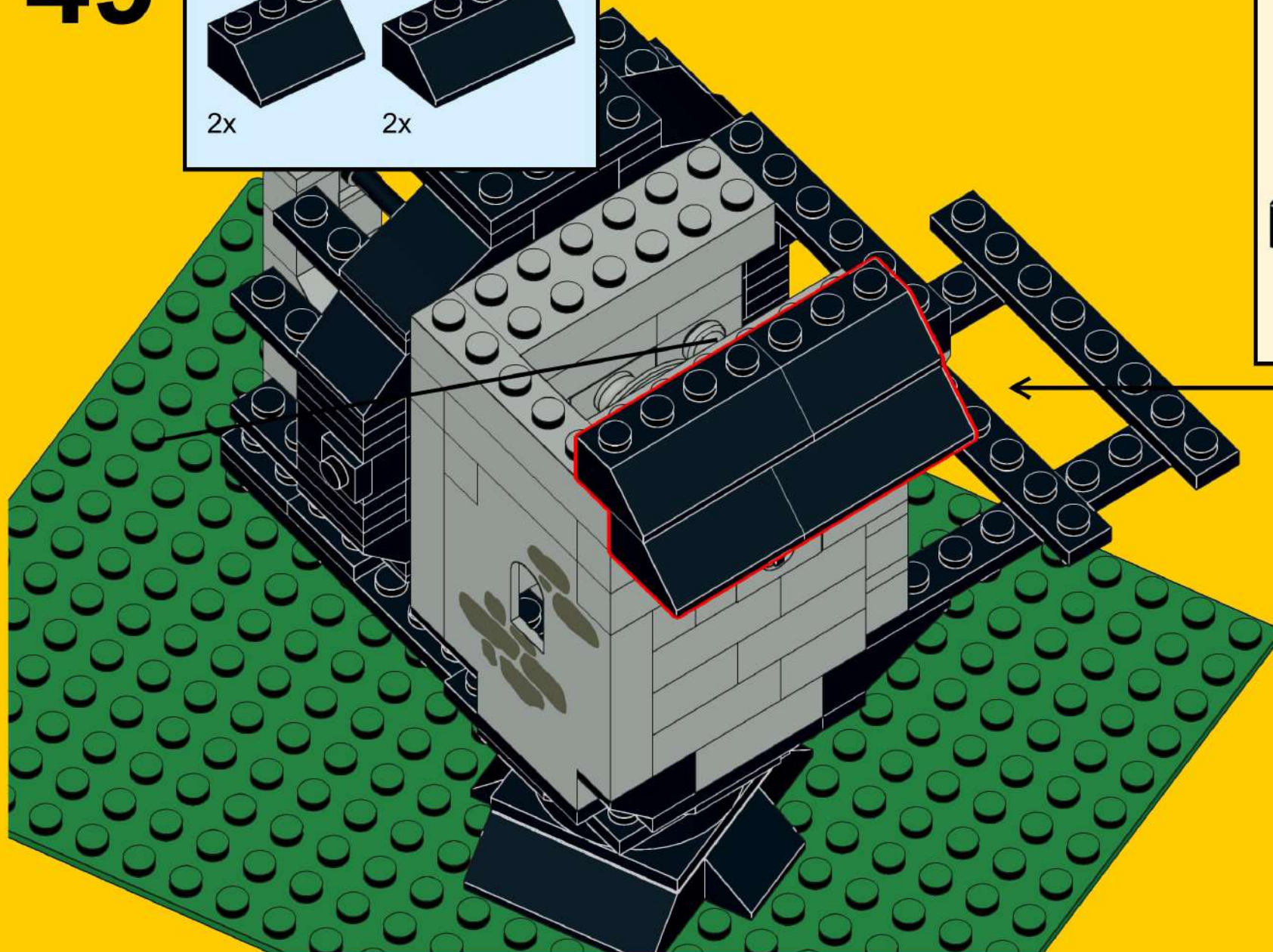
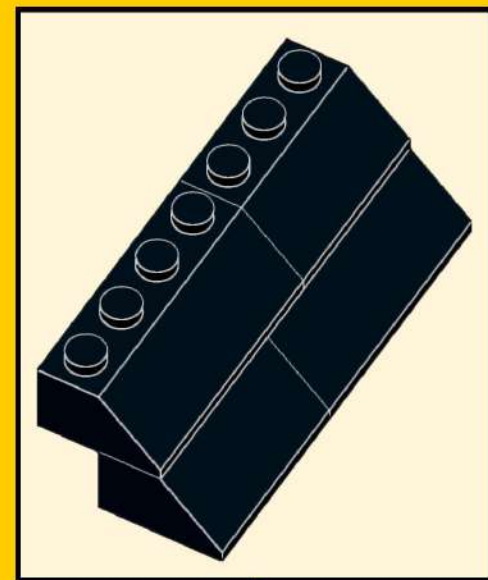
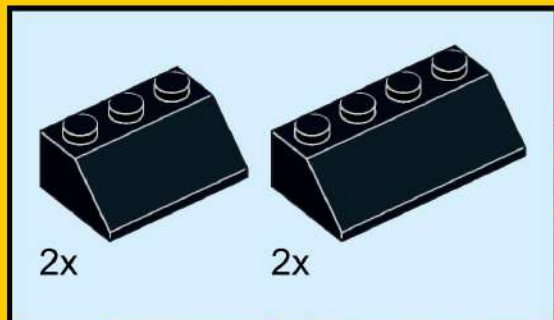
47



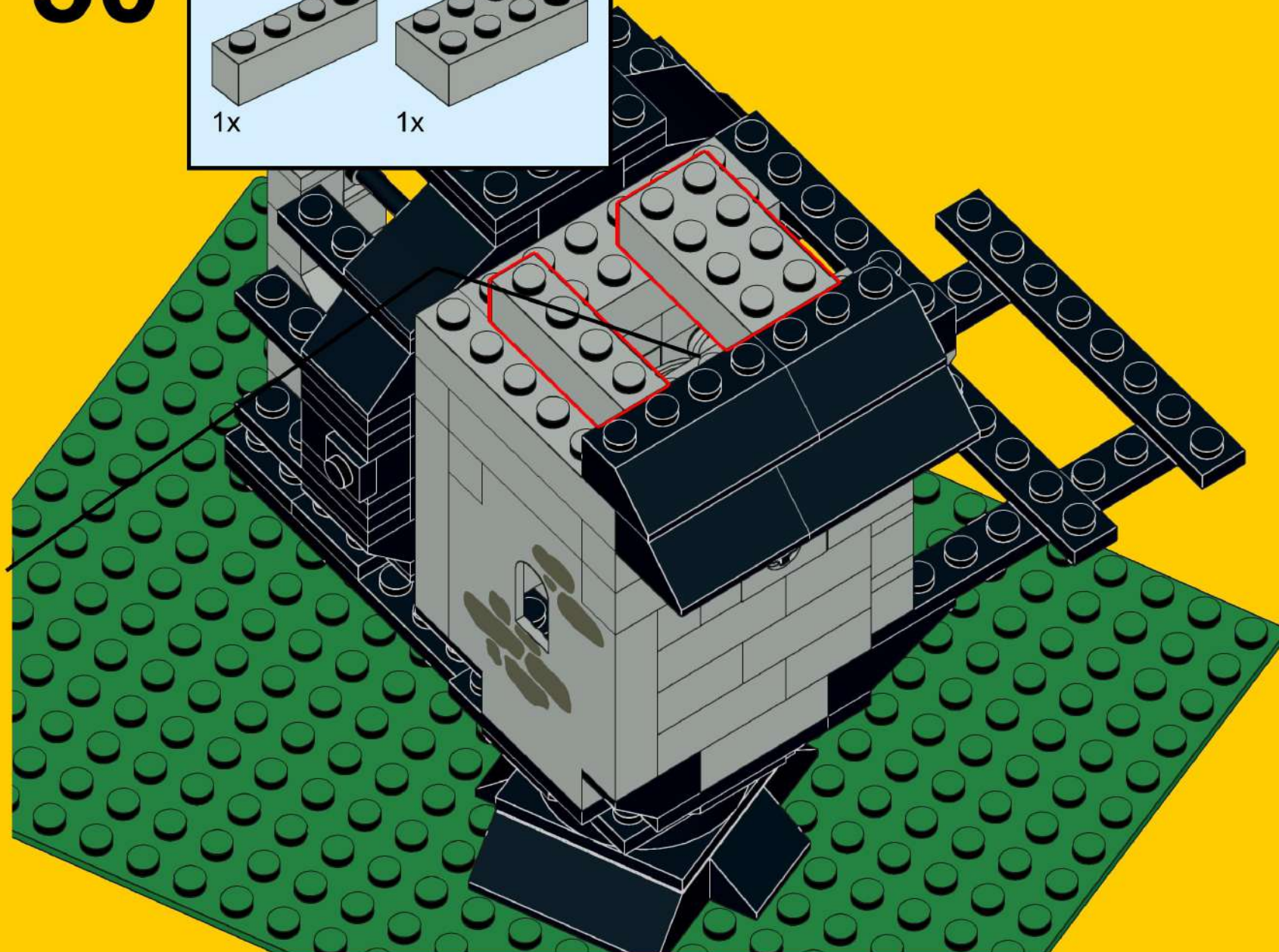
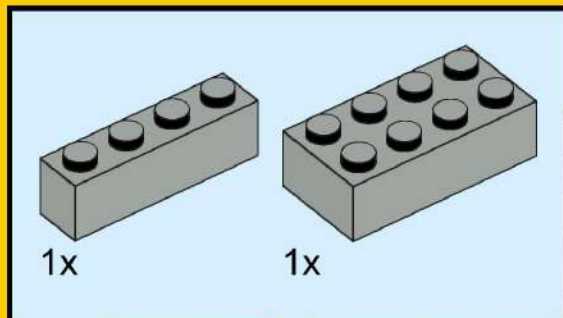
48



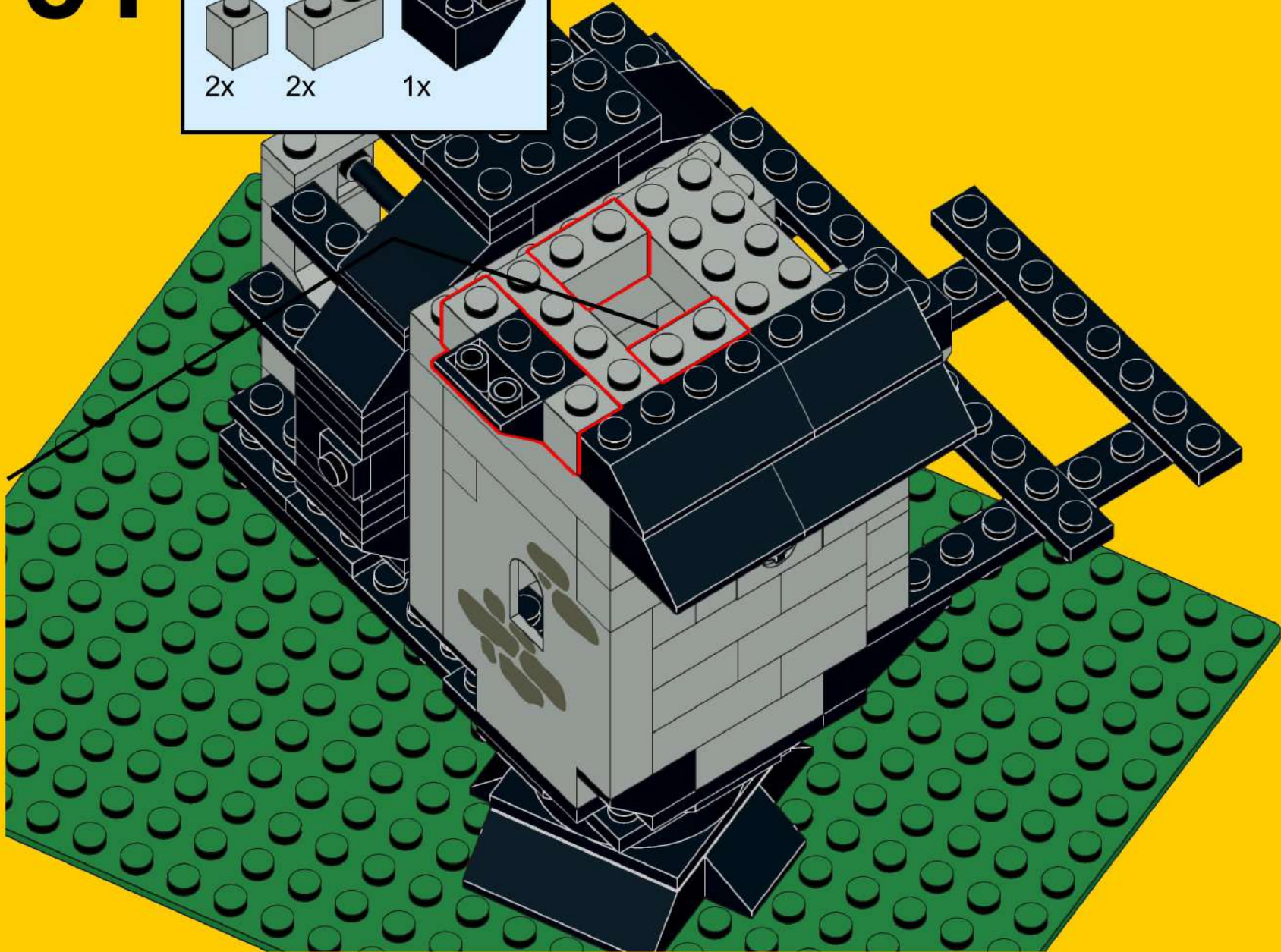
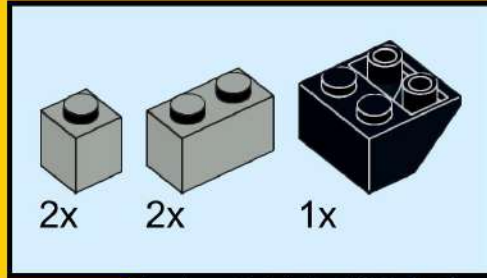
49



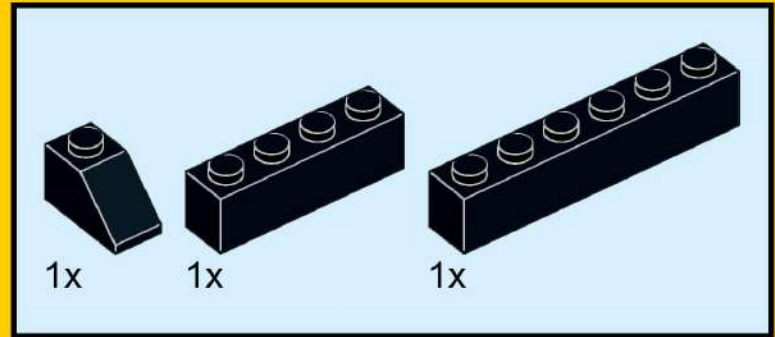
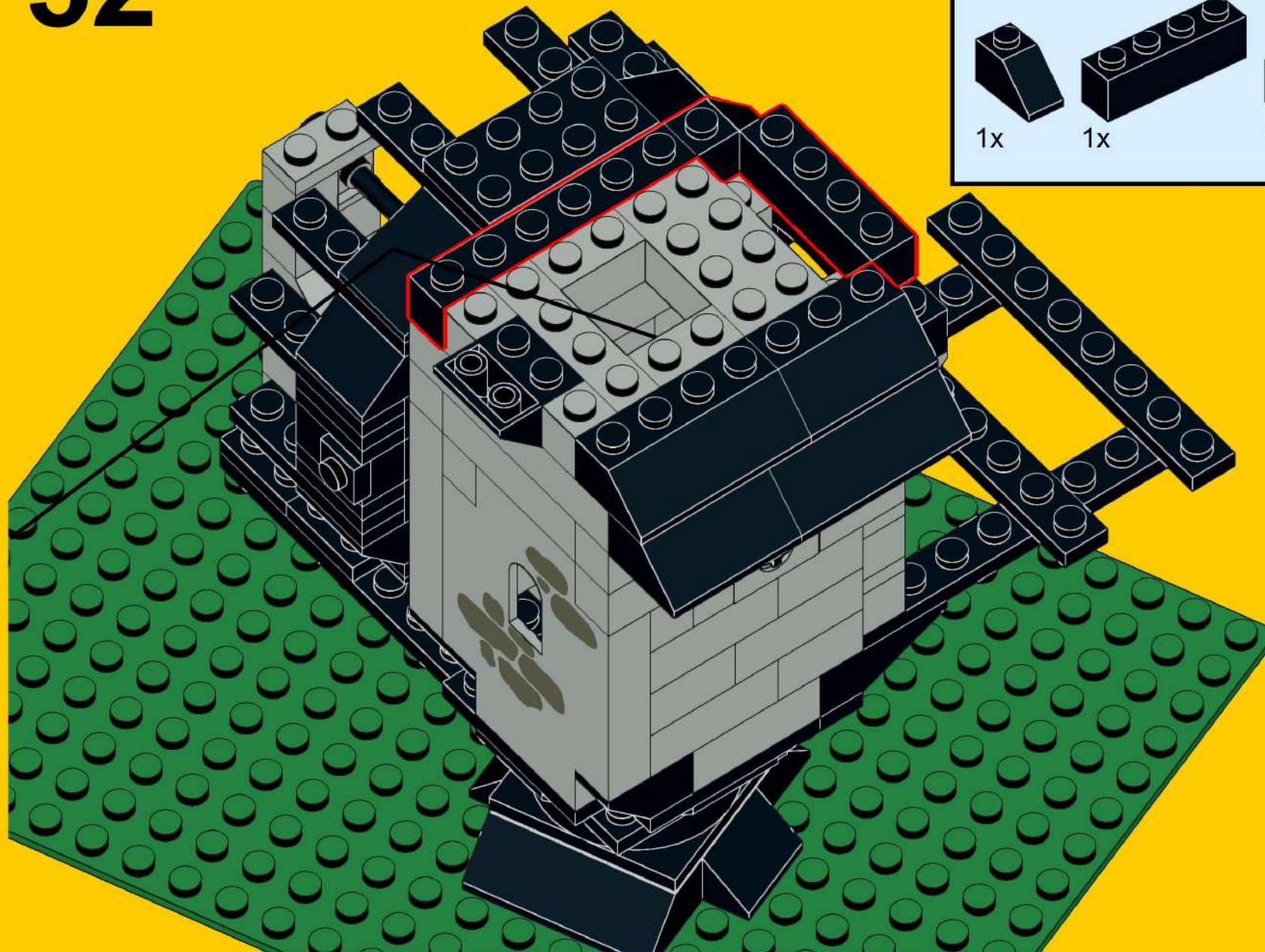
50



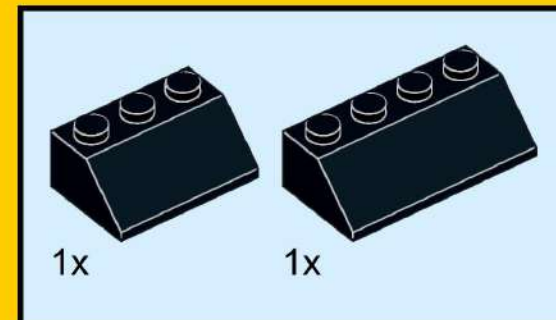
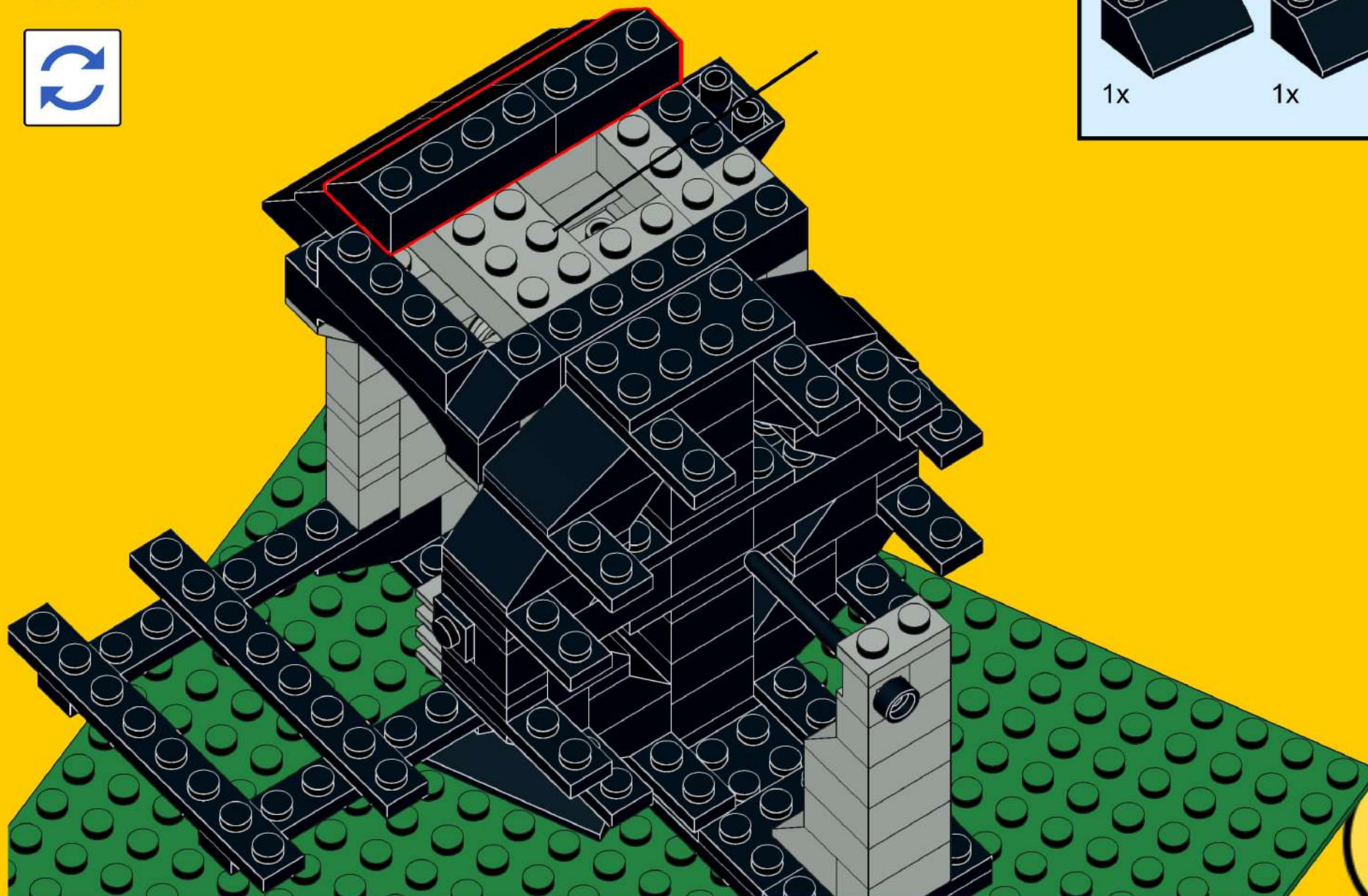
51



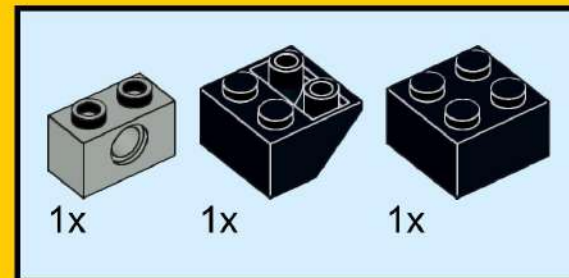
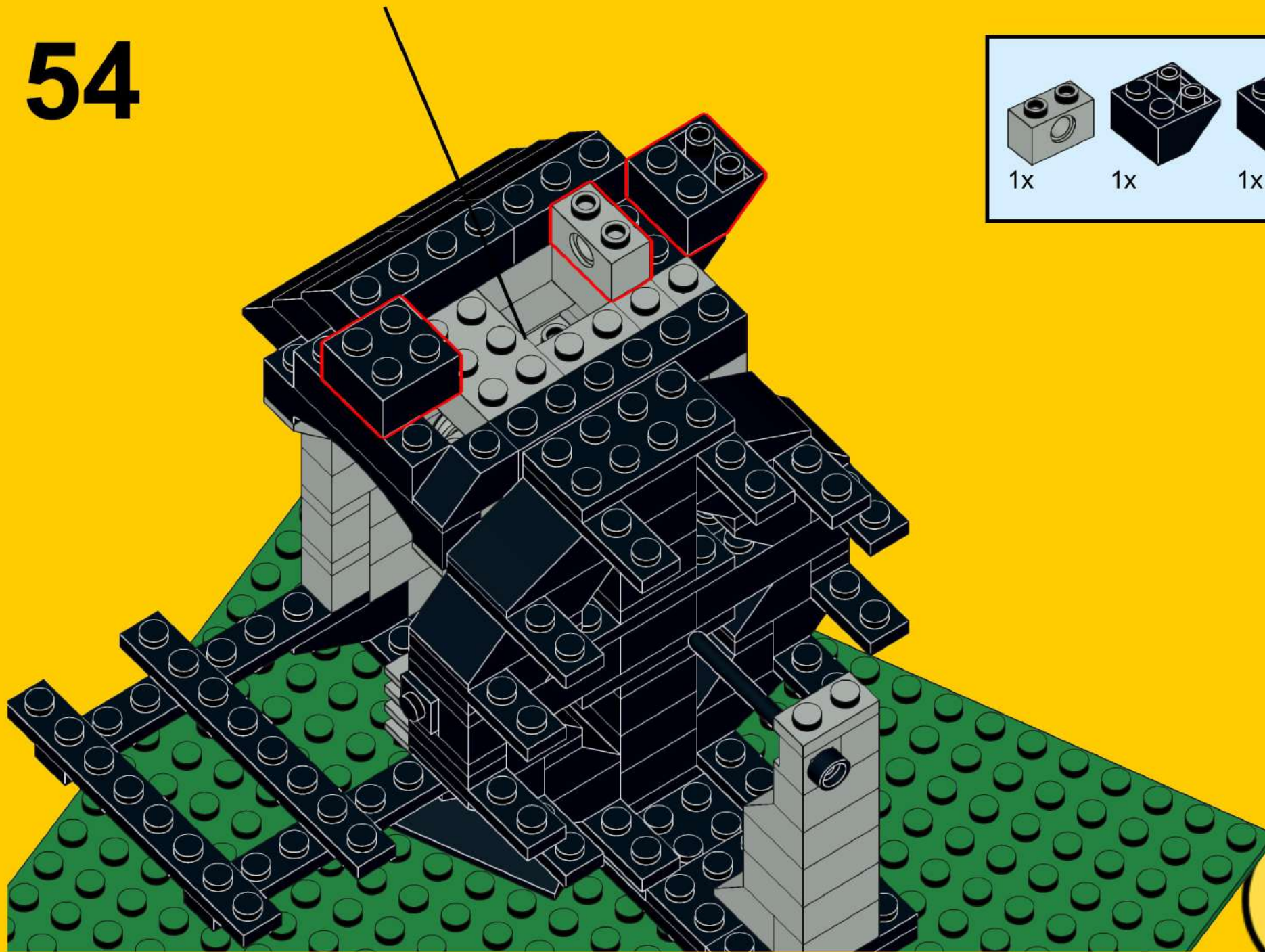
52



53

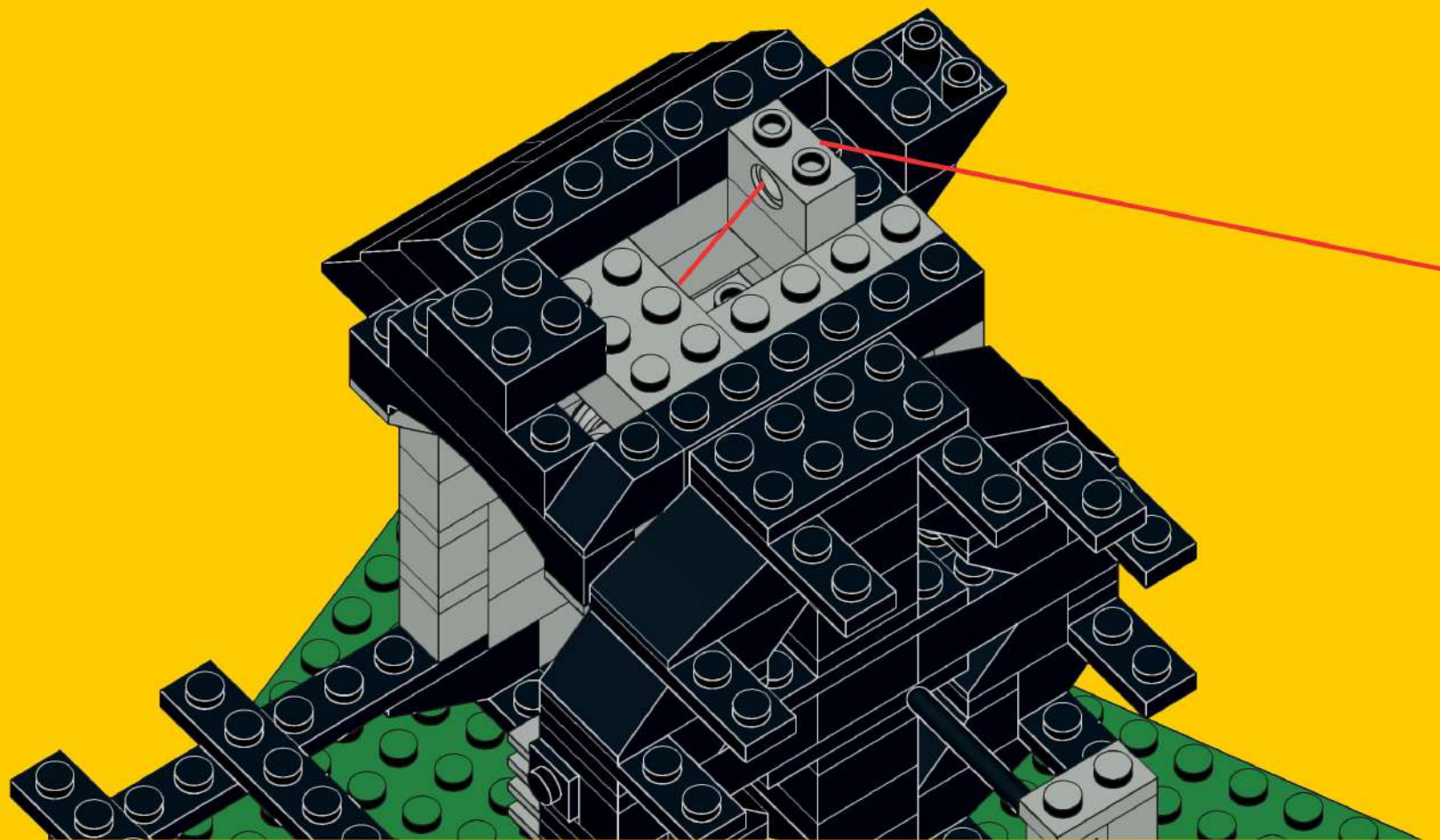


54

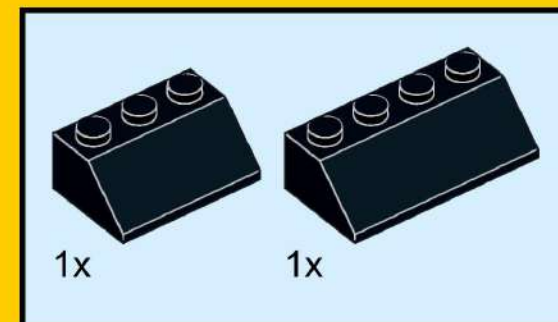
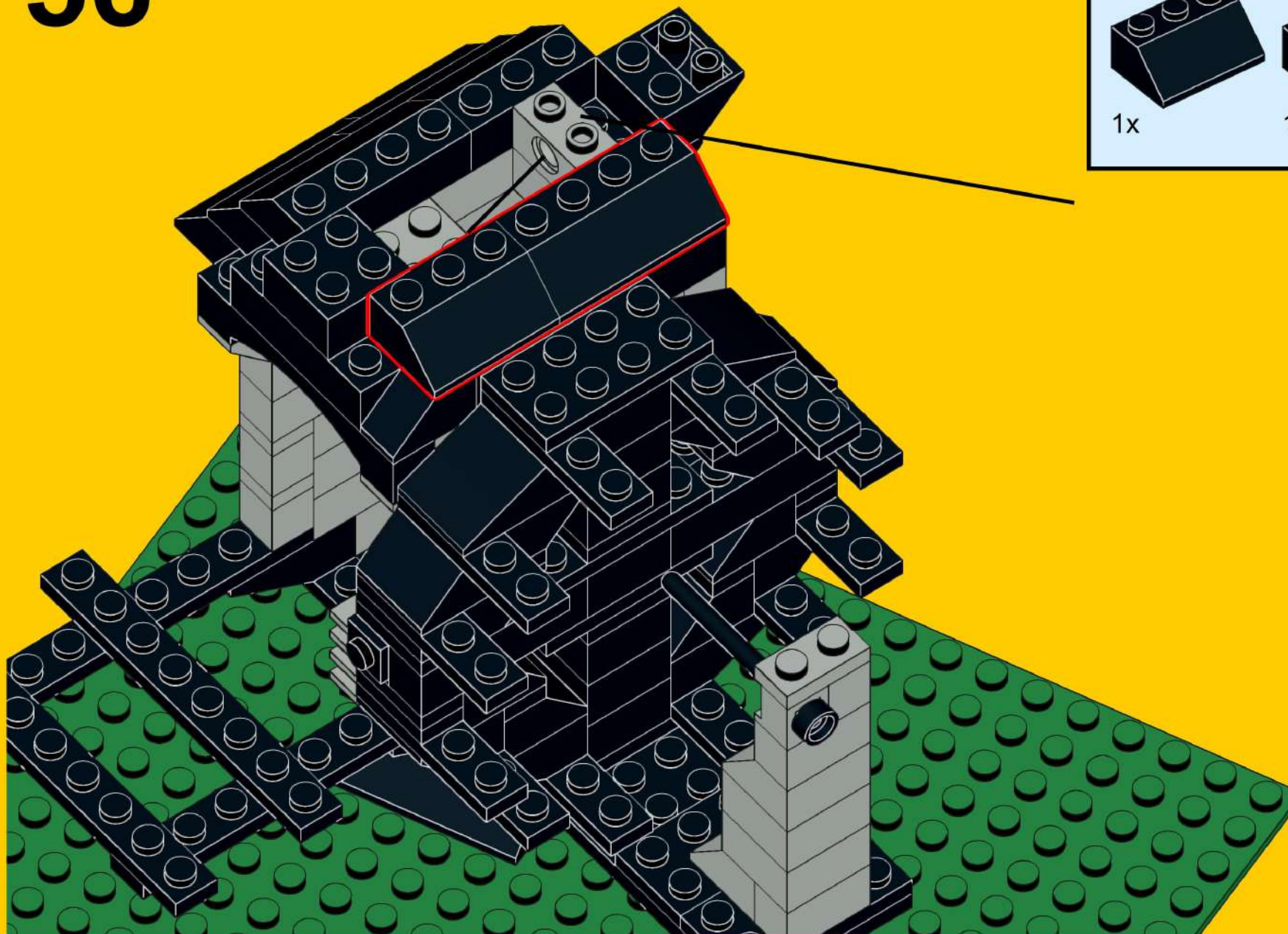


55

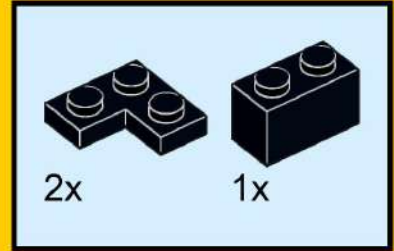
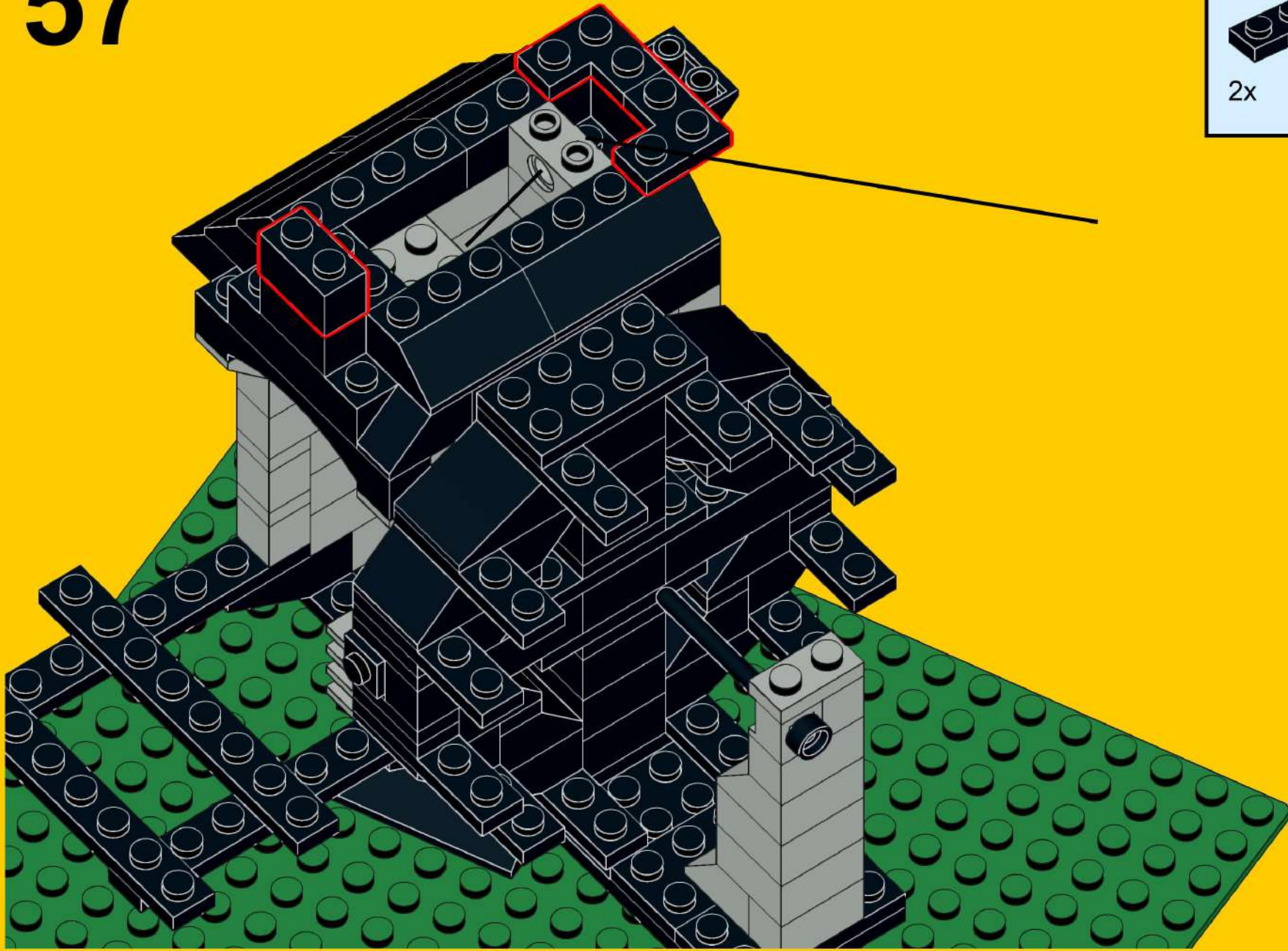
Bring the rope out of this technic brick



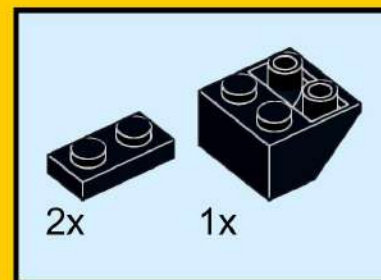
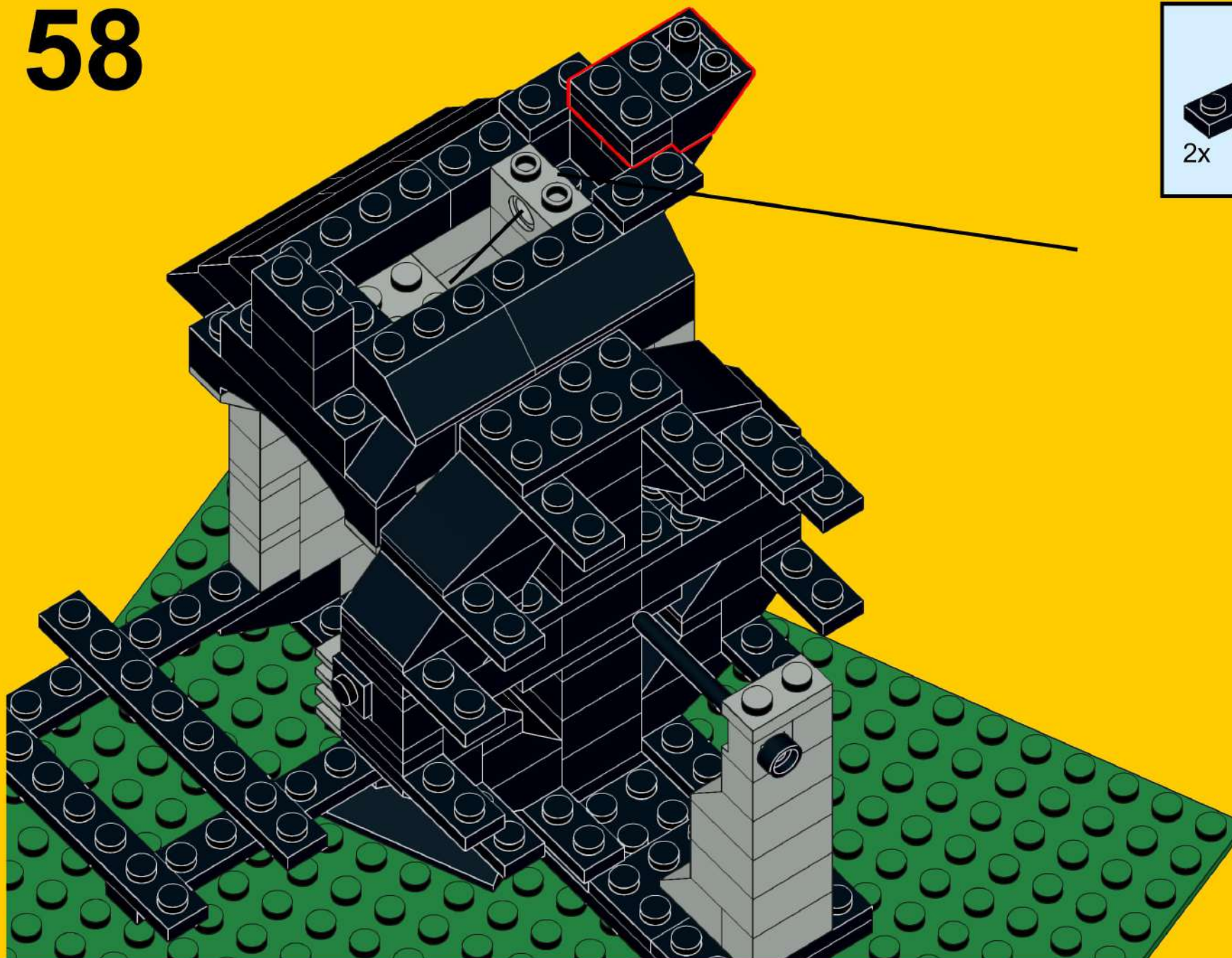
56



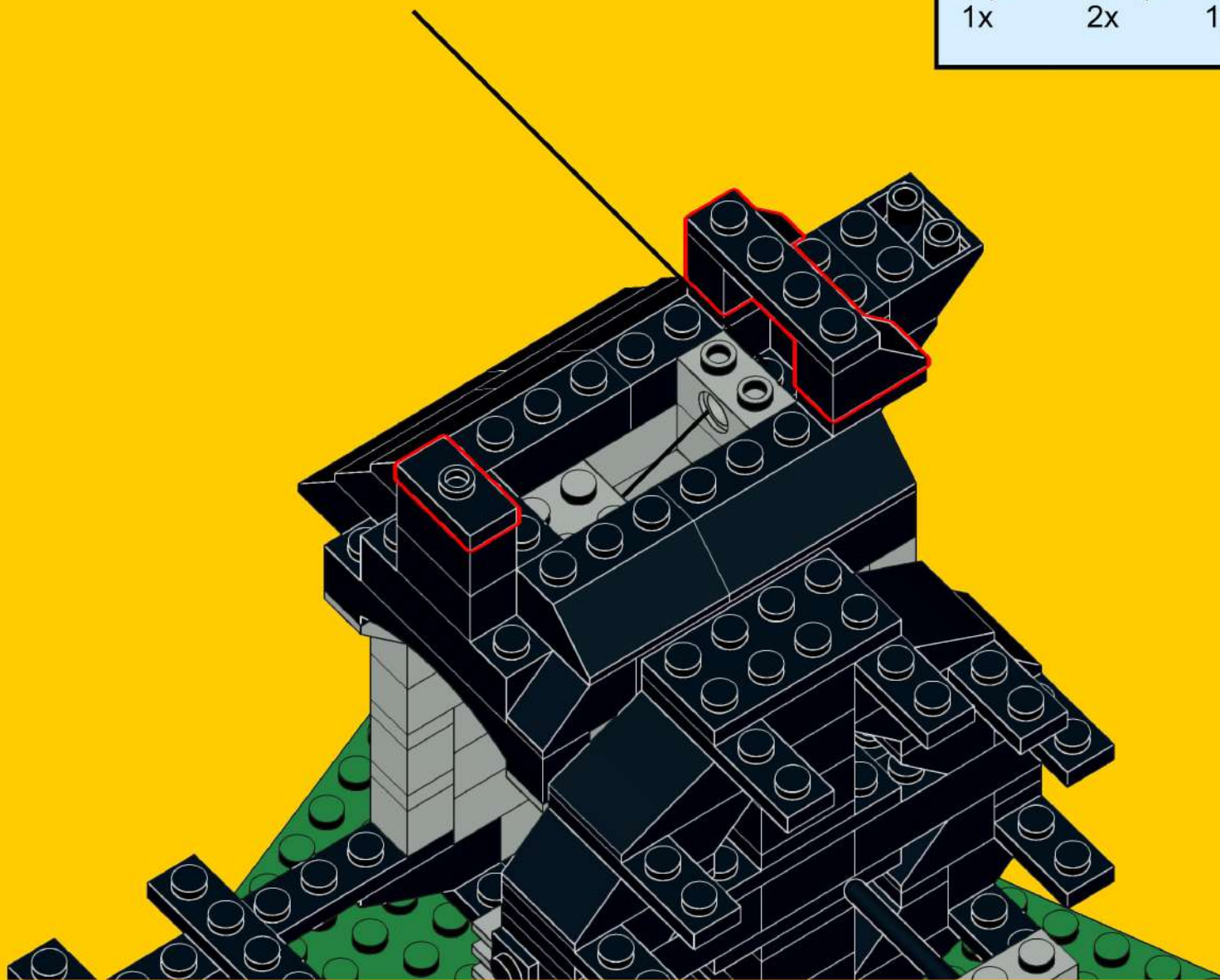
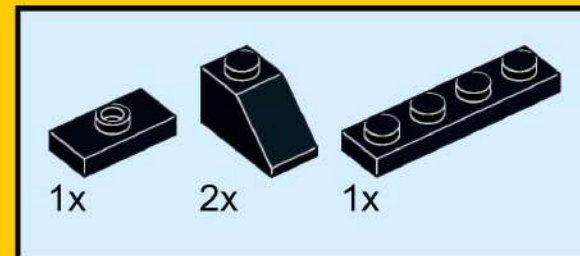
57



58

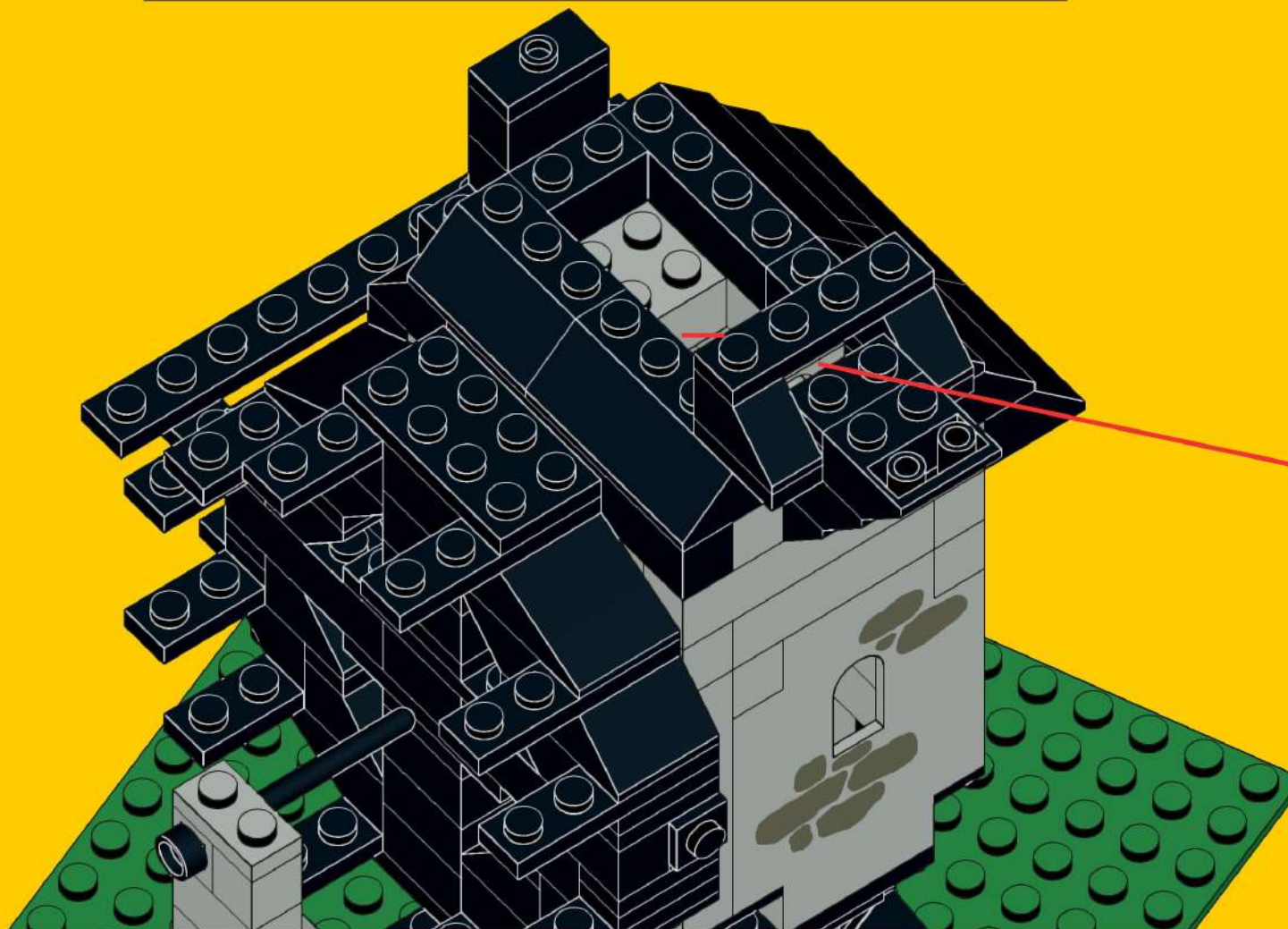


59

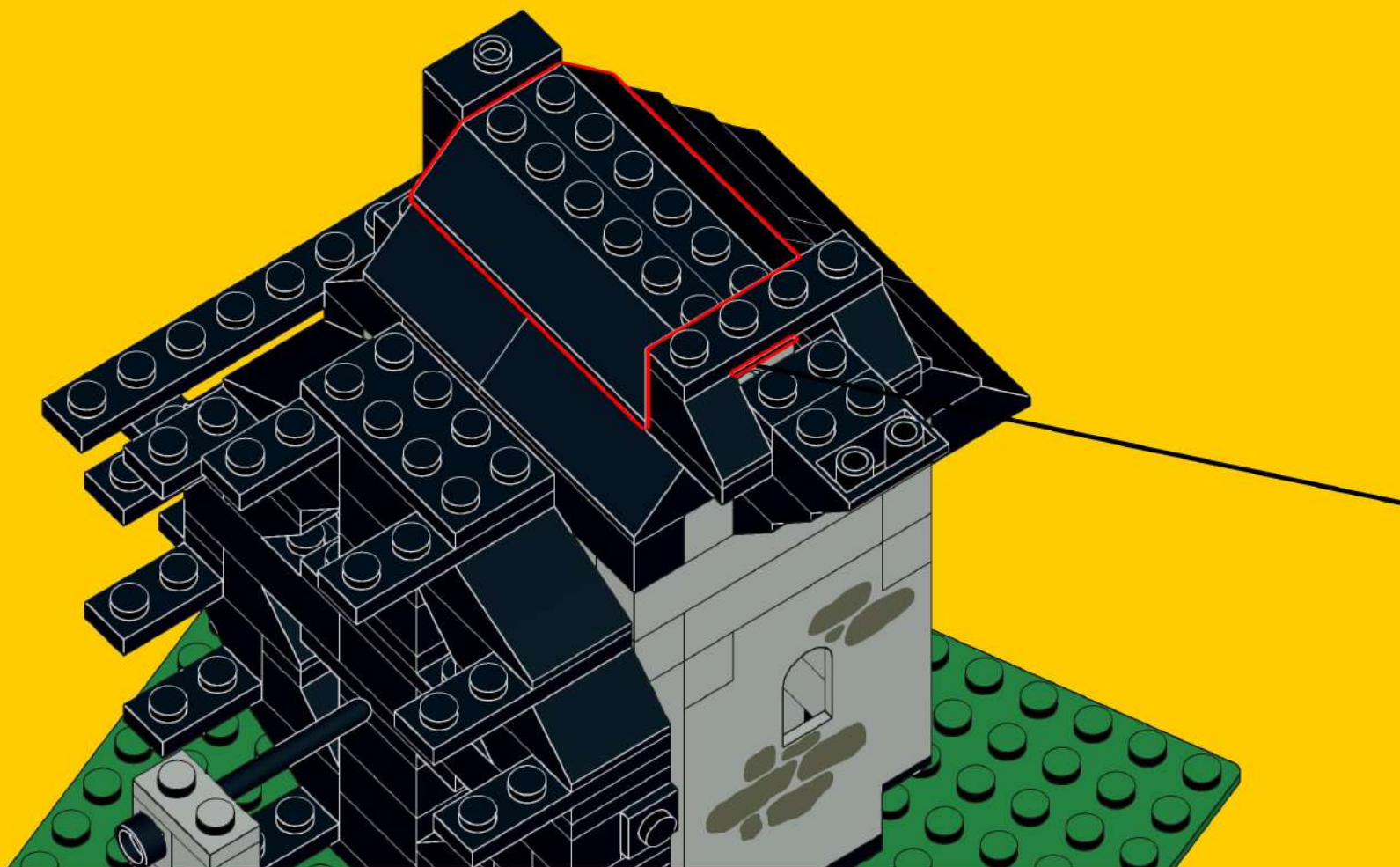
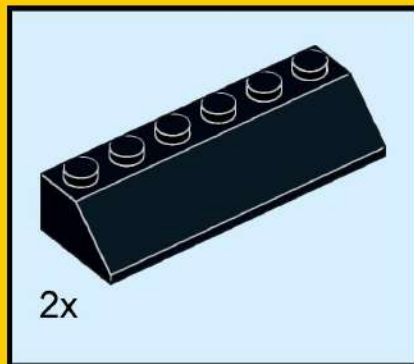


60

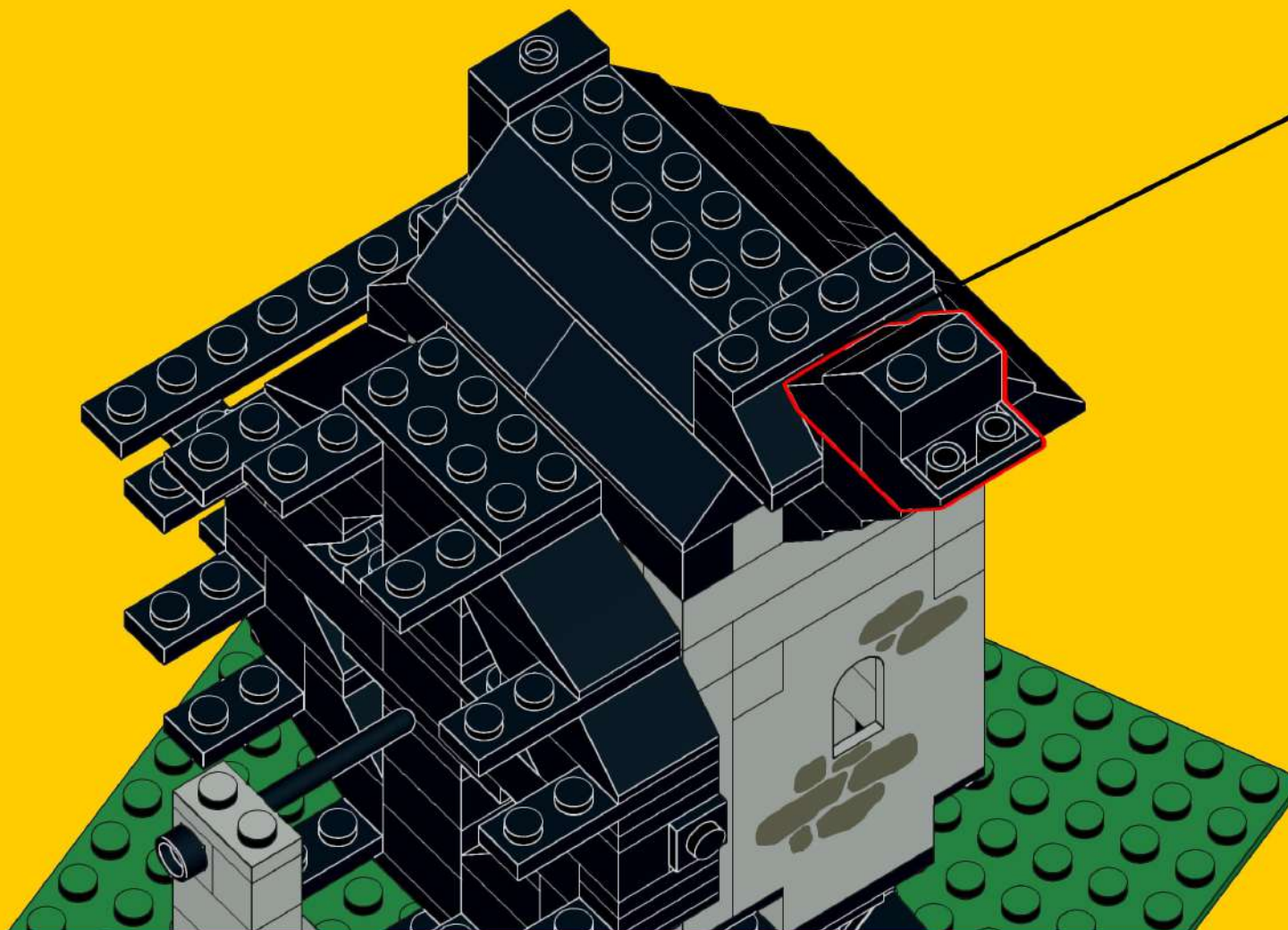
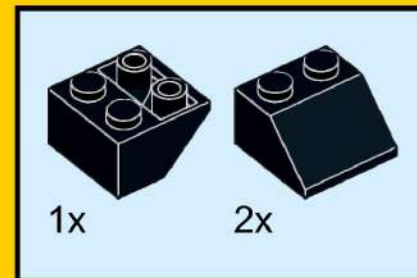
Bring the rope under this arch, and ensure it remains outside of the structure throughout all the next steps



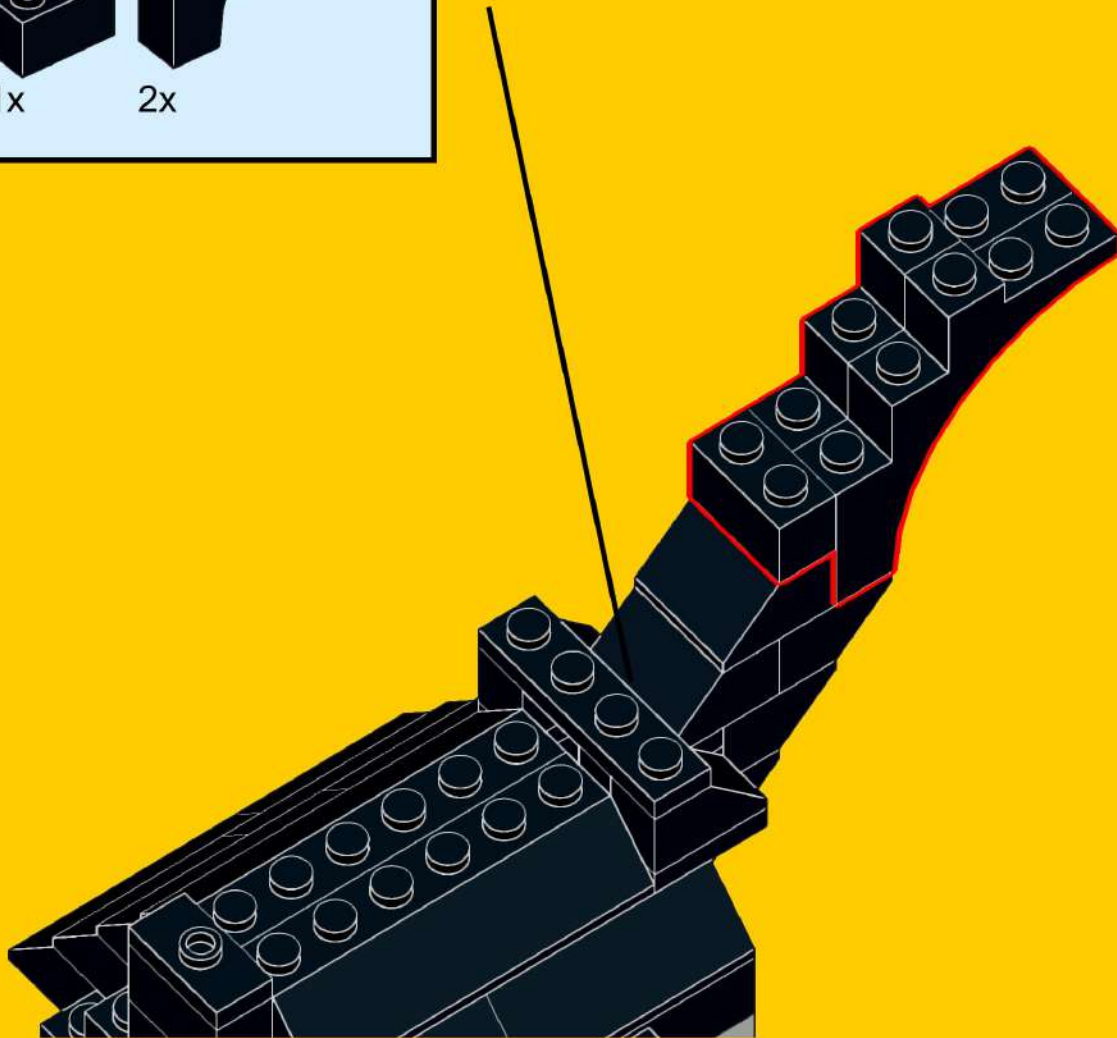
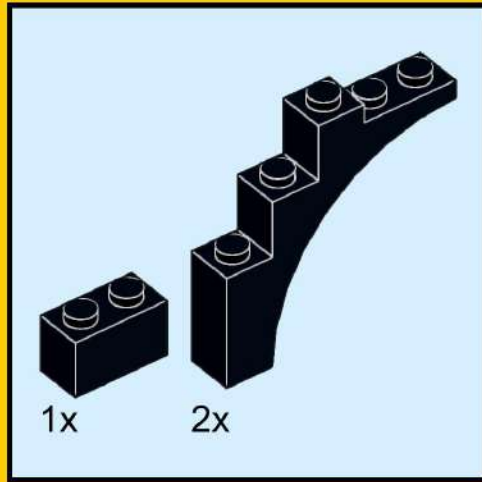
61



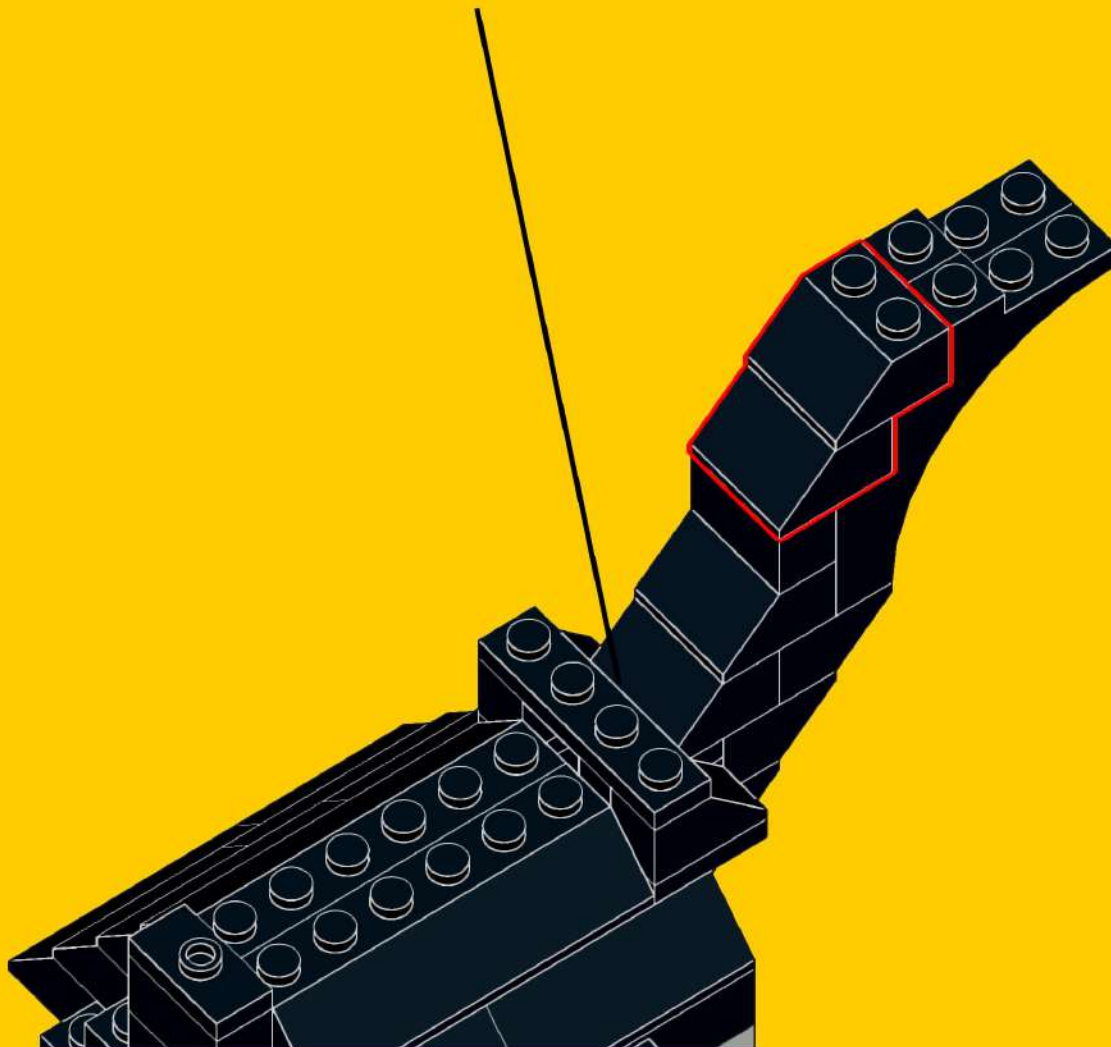
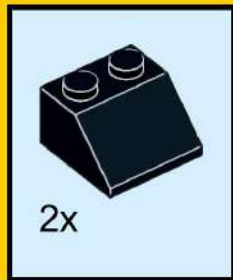
62



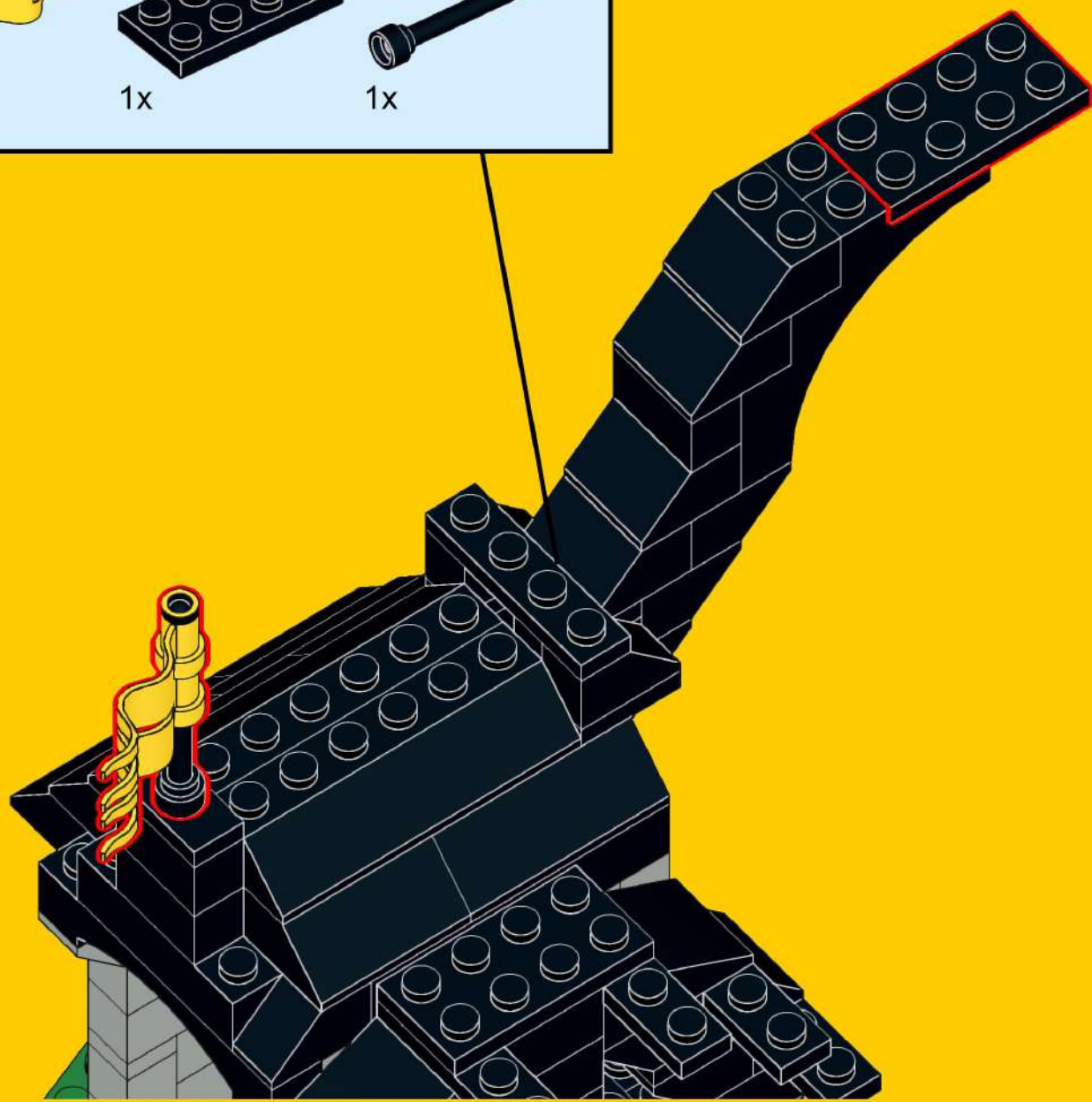
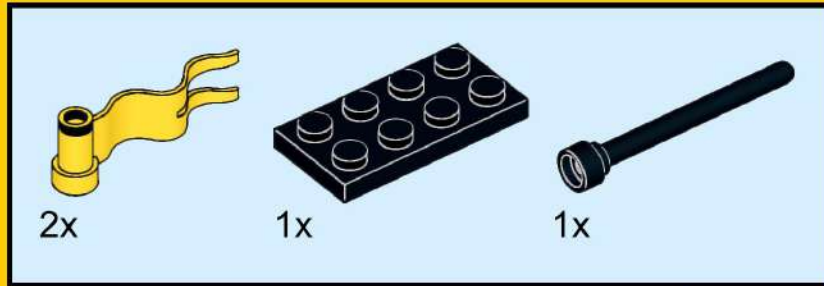
63



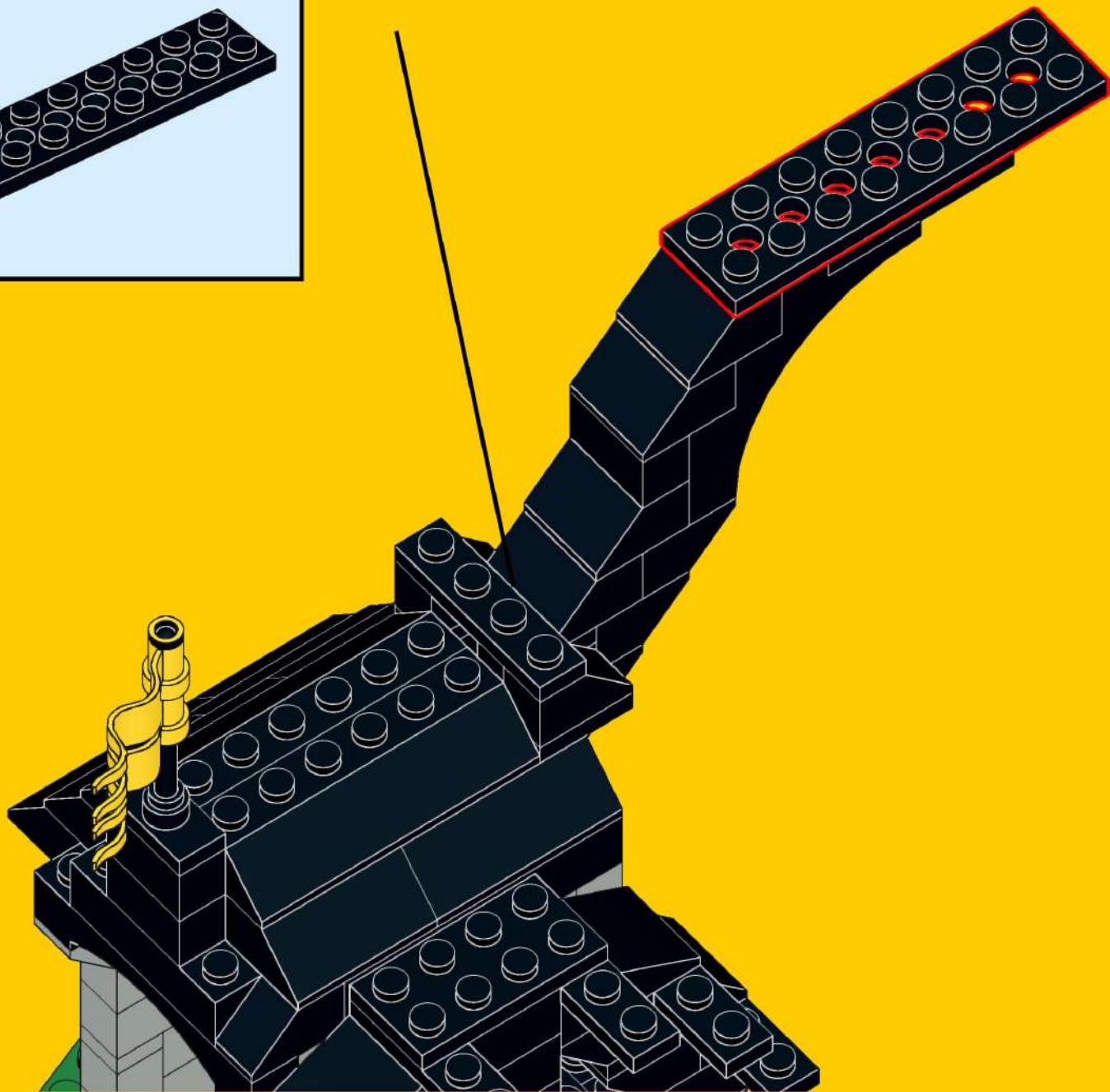
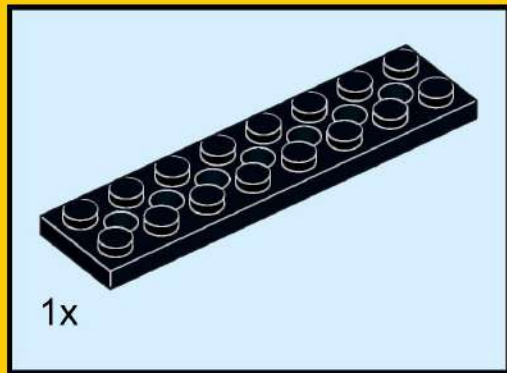
64



65

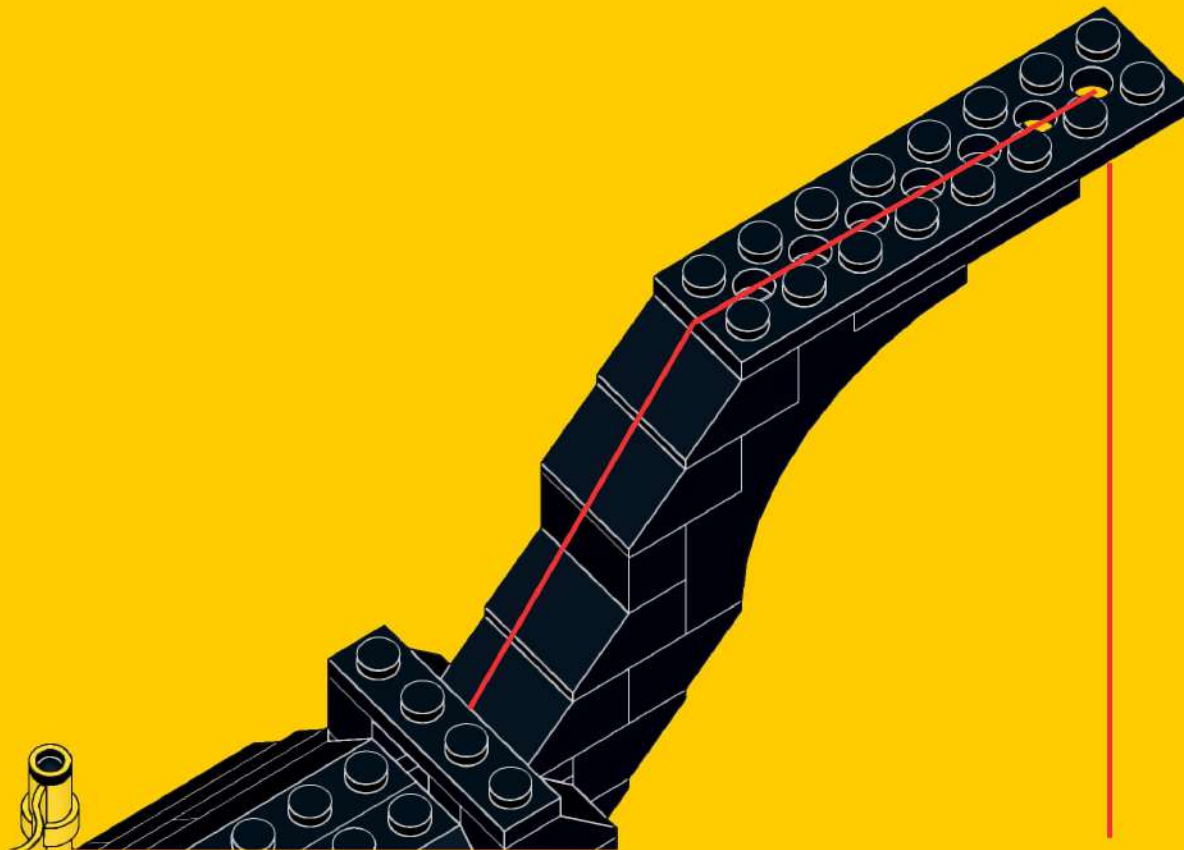


66



67

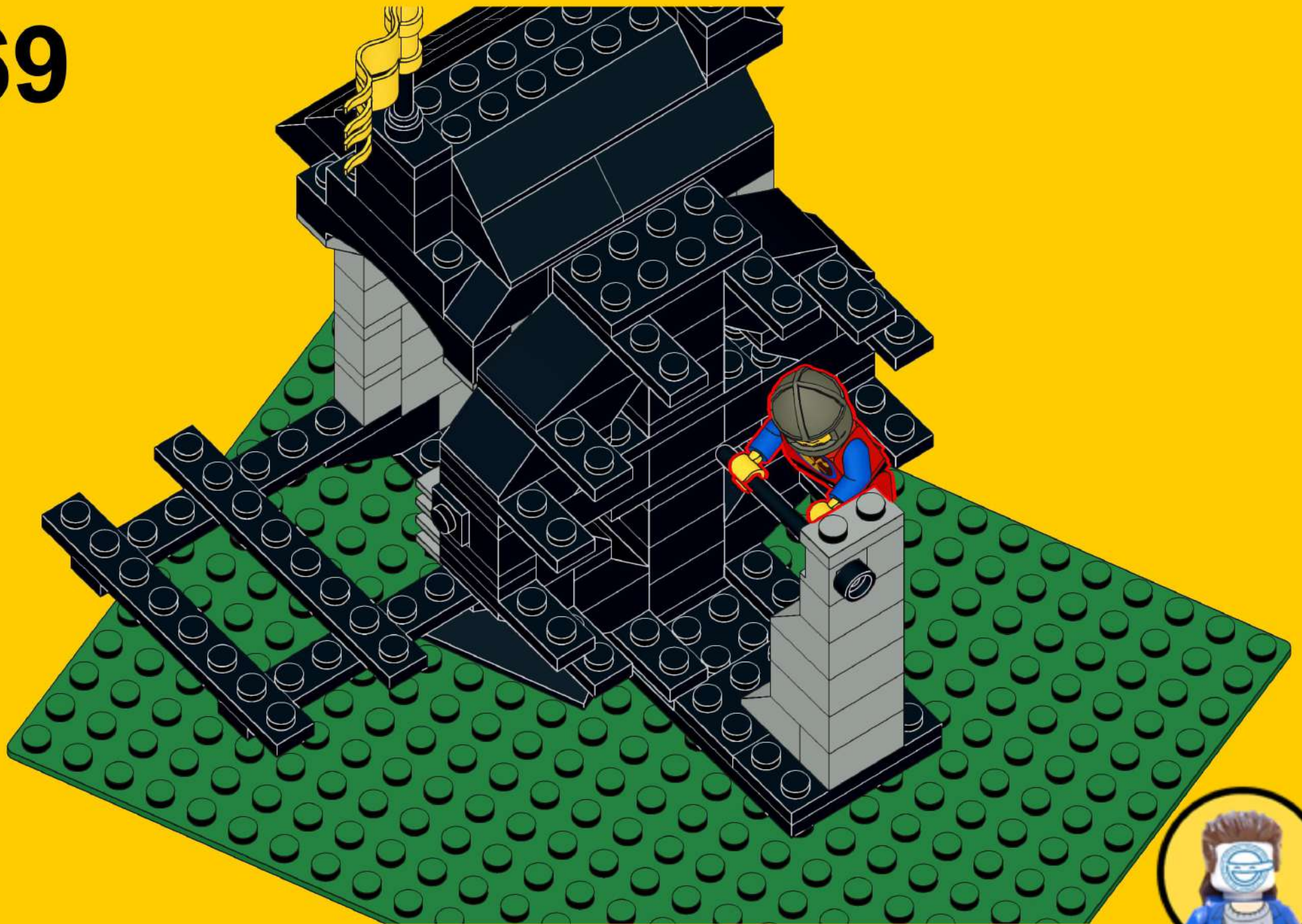
Pass the rope in the last hole of the technic plate,



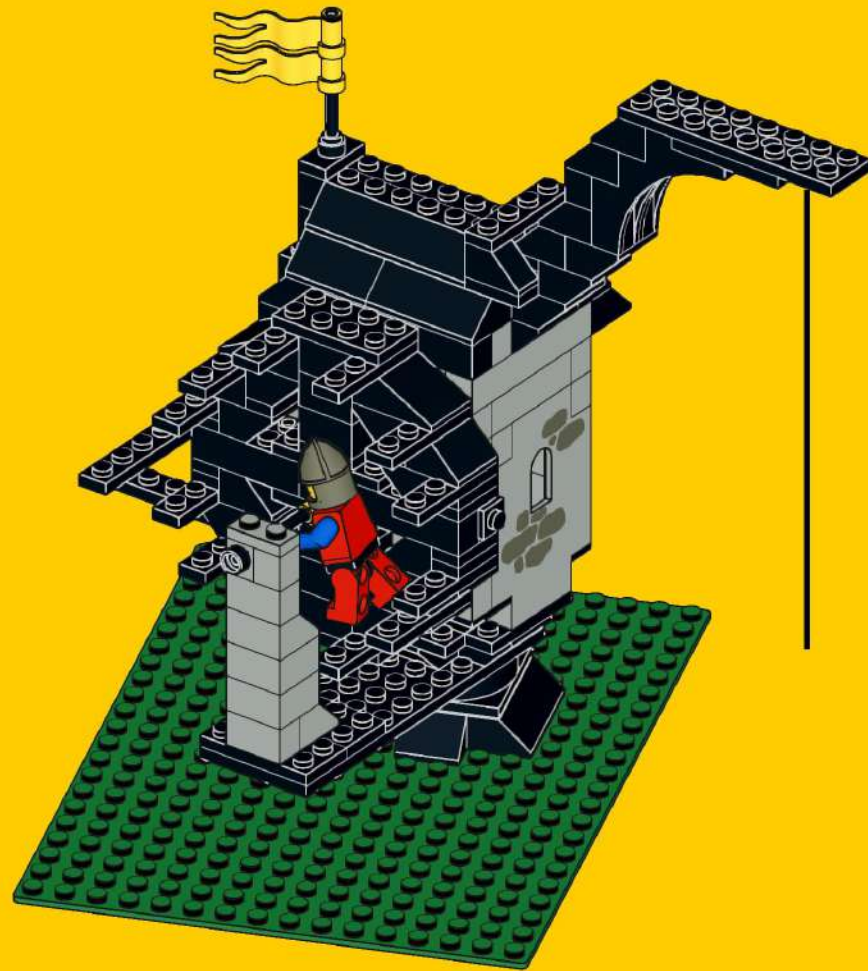
68



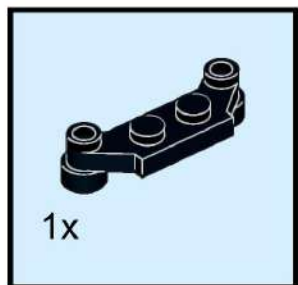
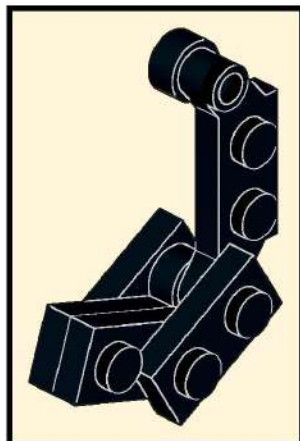
69



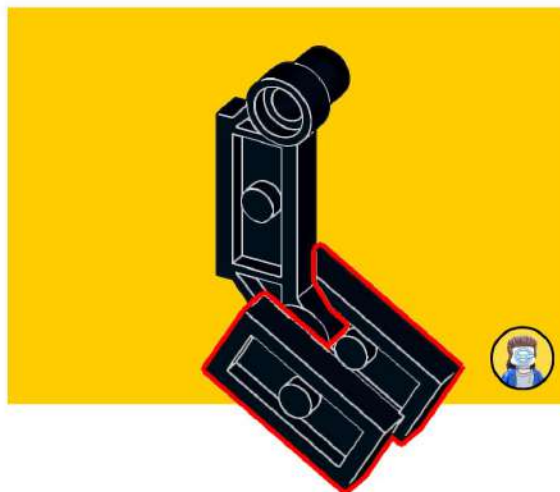
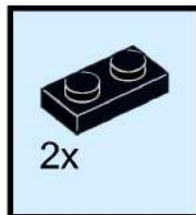
70



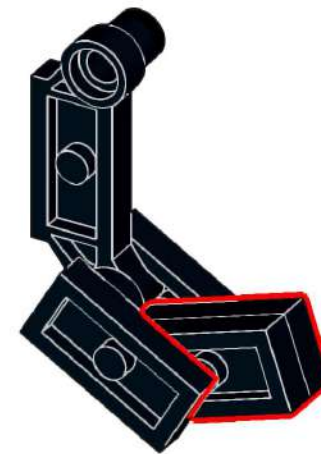
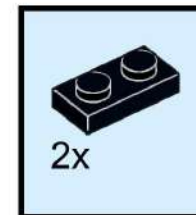
71



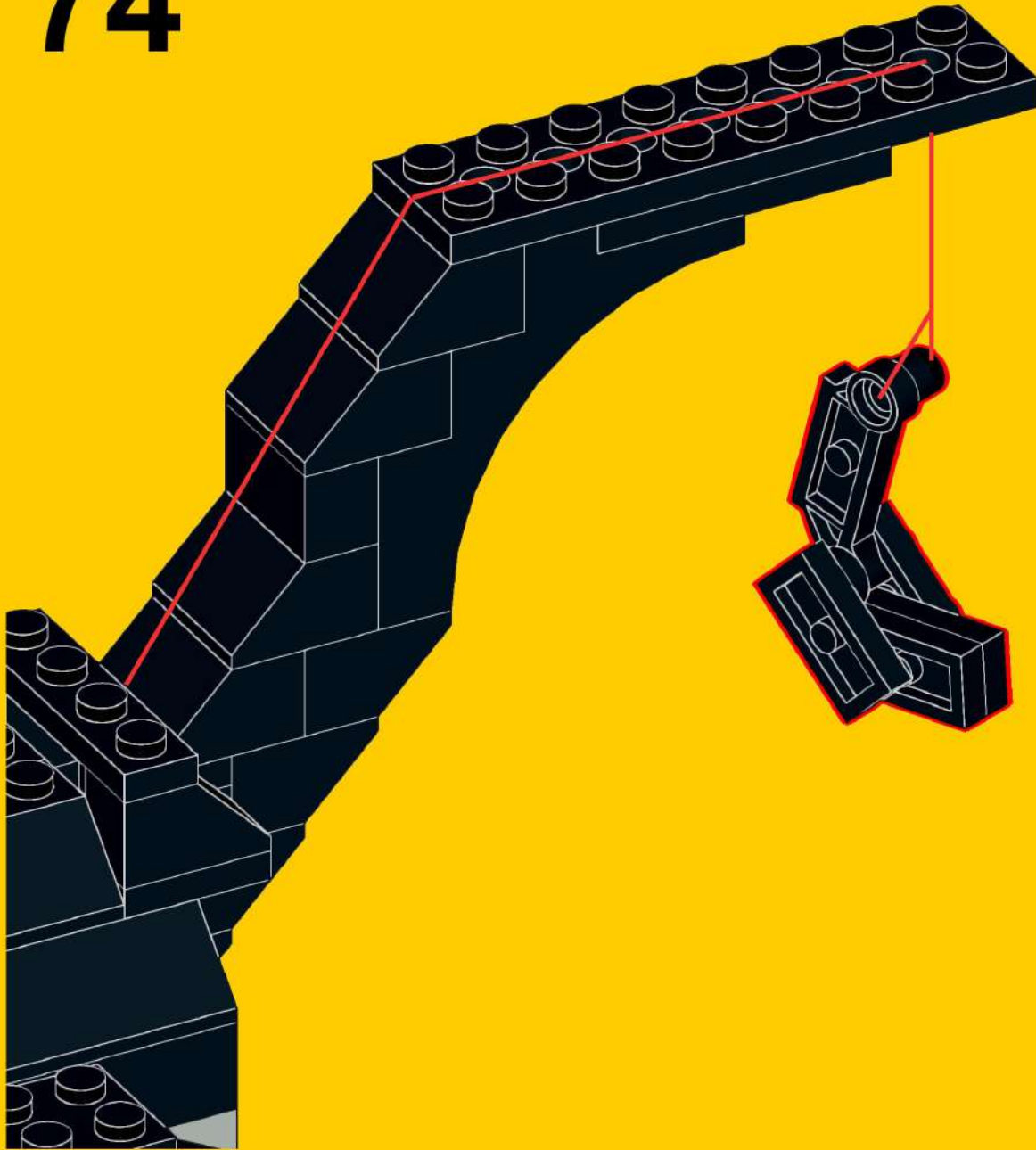
72



73



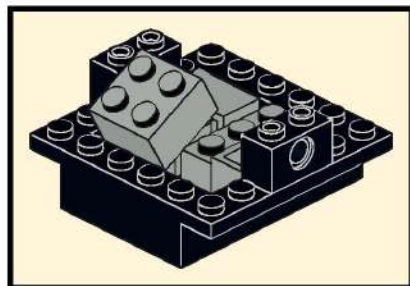
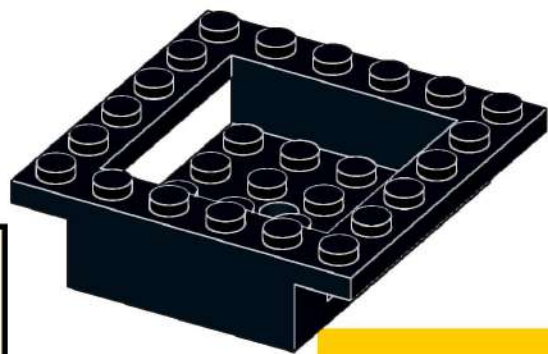
74



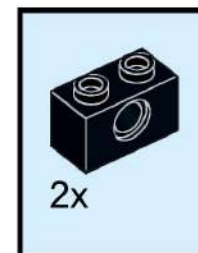
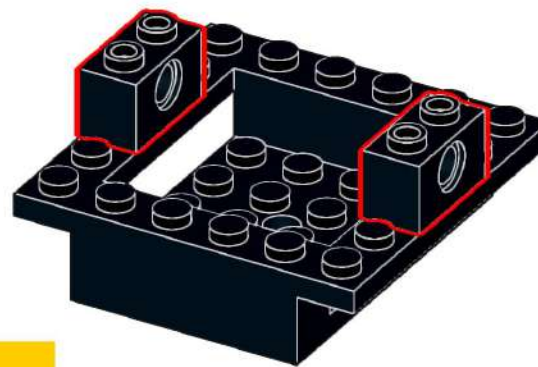
Tie the other end of the rope in this hook to finish the crane



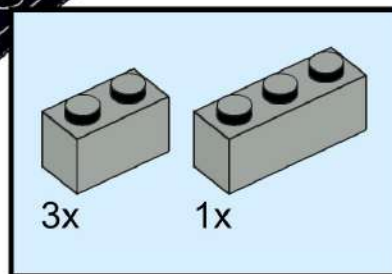
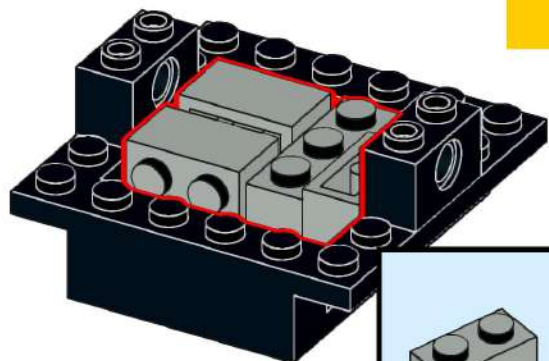
75



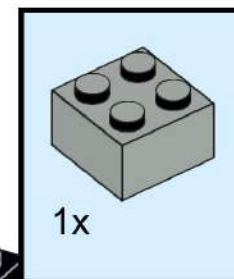
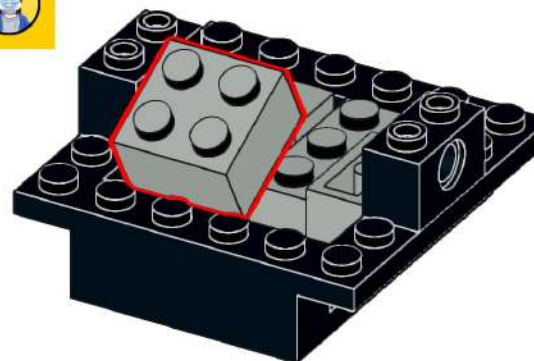
76



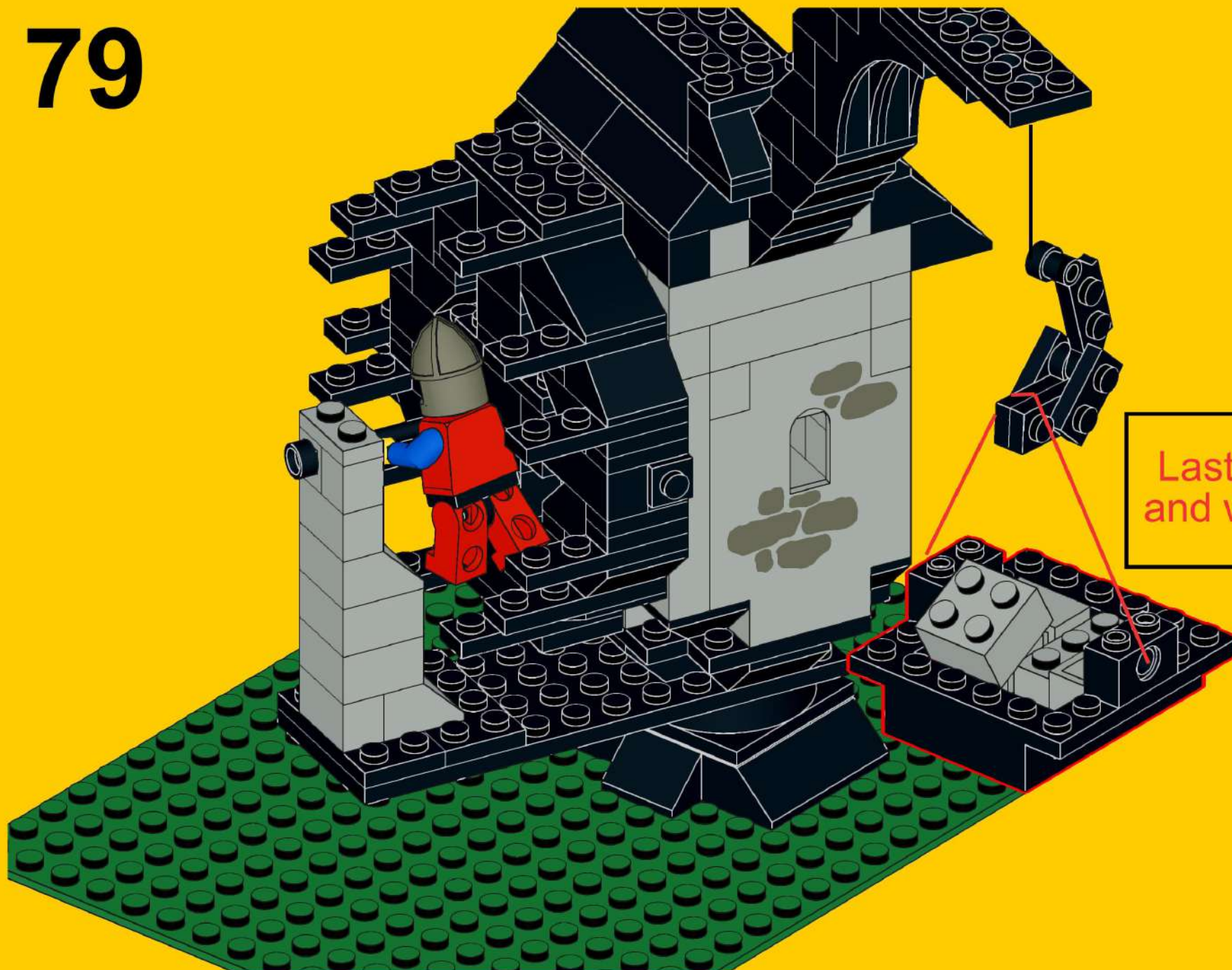
77



78



79



Last small rope,
and we are done!

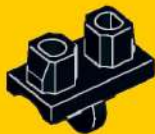




2x
3024, 11



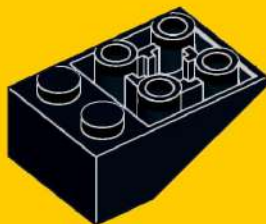
5x
3004, 11



1x
970, 11



14x
3660, 11



2x
3747b, 11



1x
4590, 11



2x
3957, 11



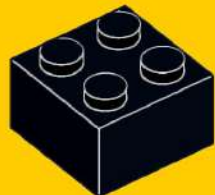
2x
3005, 11



2x
3040, 11



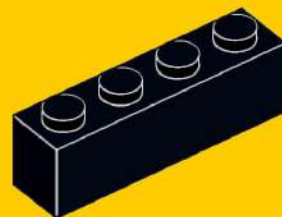
2x
3022, 11



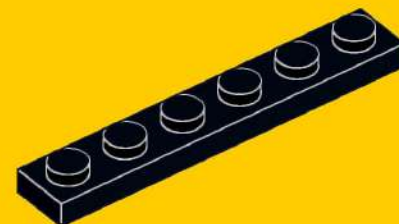
7x
3003, 11



4x
3038, 11



3x
3010, 11



1x
3666, 11



2x
4070, 11



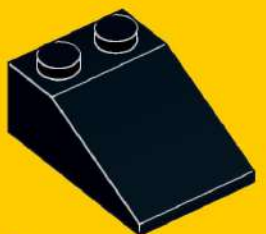
1x
3665, 11



2x
2420, 11



12x
3039, 11



2x
3298, 11



7x
3020, 11



1x
92950, 11



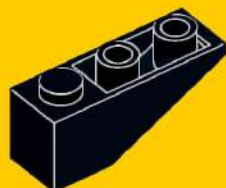
18x
3023, 11



1x
3040a, 11



1x
4519, 11



2x
4287, 11



14x
3710, 11



6x
3037, 11



1x
3794a, 11



1x
32064, 11

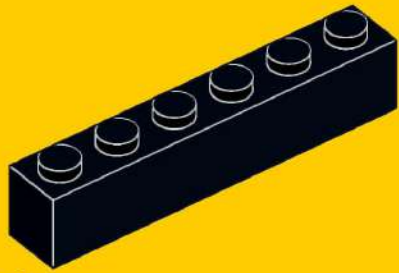


1x
3676, 11

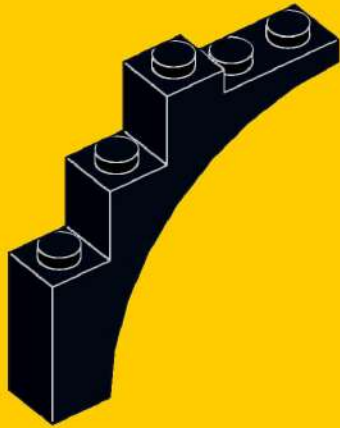


6x
3700, 11





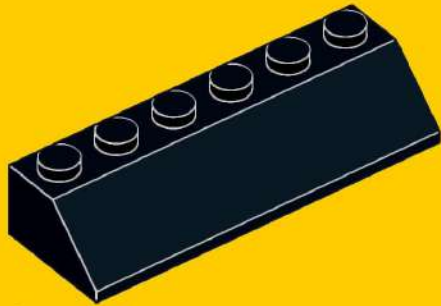
1x
3009, 11



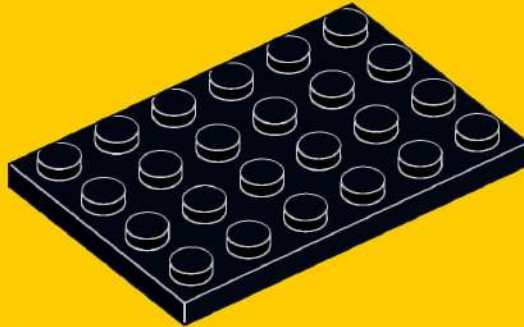
2x
2339, 11



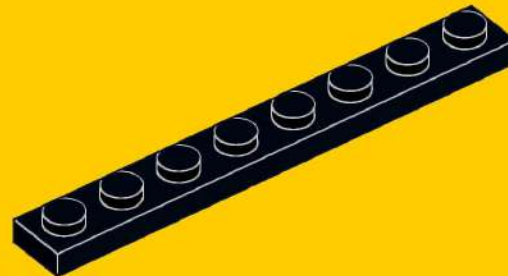
1x
3403c01, 11



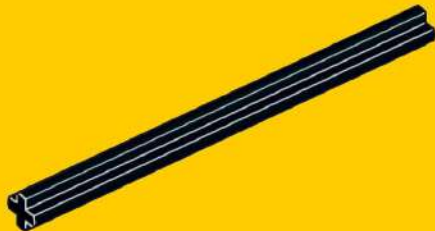
2x
23949, 11



1x
3032, 11



4x
3460, 11

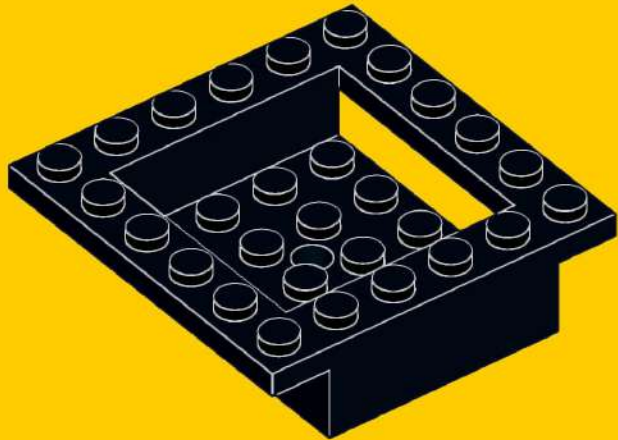


1x
44294, 11



1x
3738, 11





1x
4597, 11



1x
3029, 11



1x
3896, 10



2x
4265c, 9



4x
3024, 9



2x
3713, 9



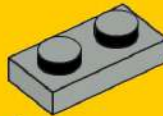
1x
4070, 9



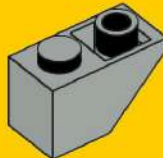
10x
3005, 9



3x
3673, 9



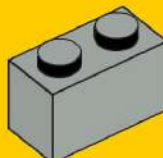
1x
3023, 9



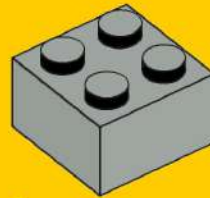
2x
3665, 9



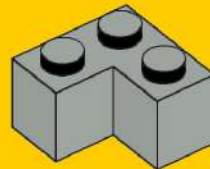
4x
3700, 9



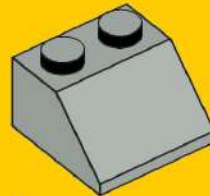
15x
3004, 9



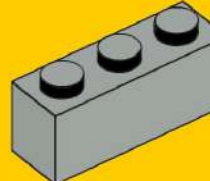
3x
3003, 9



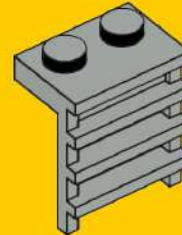
1x
2357, 9



2x
3039, 9



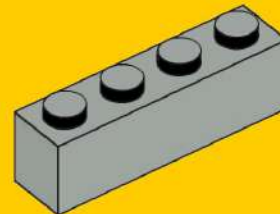
10x
3622, 9



1x
4175, 9

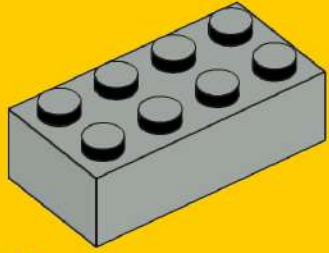


2x
4185, 9

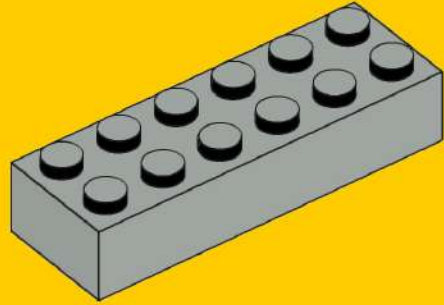


2x
3010, 9





1x
3001, 9



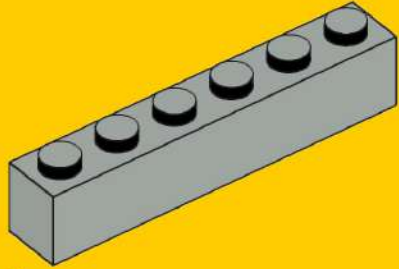
2x
2456, 9



1x
971, 5



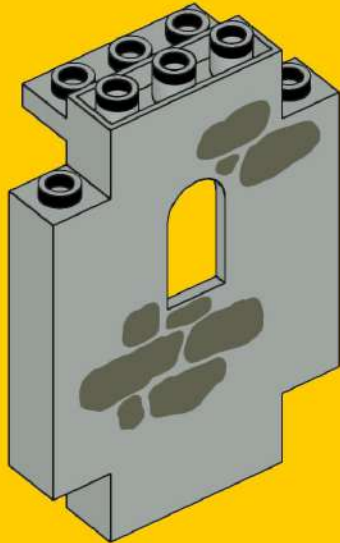
2x
4495a, 3



5x
3009, 9



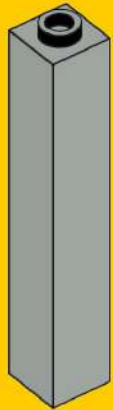
1x
972, 5



1x
4444p02, 9



1x
973p42, 5



1x
2453a, 9

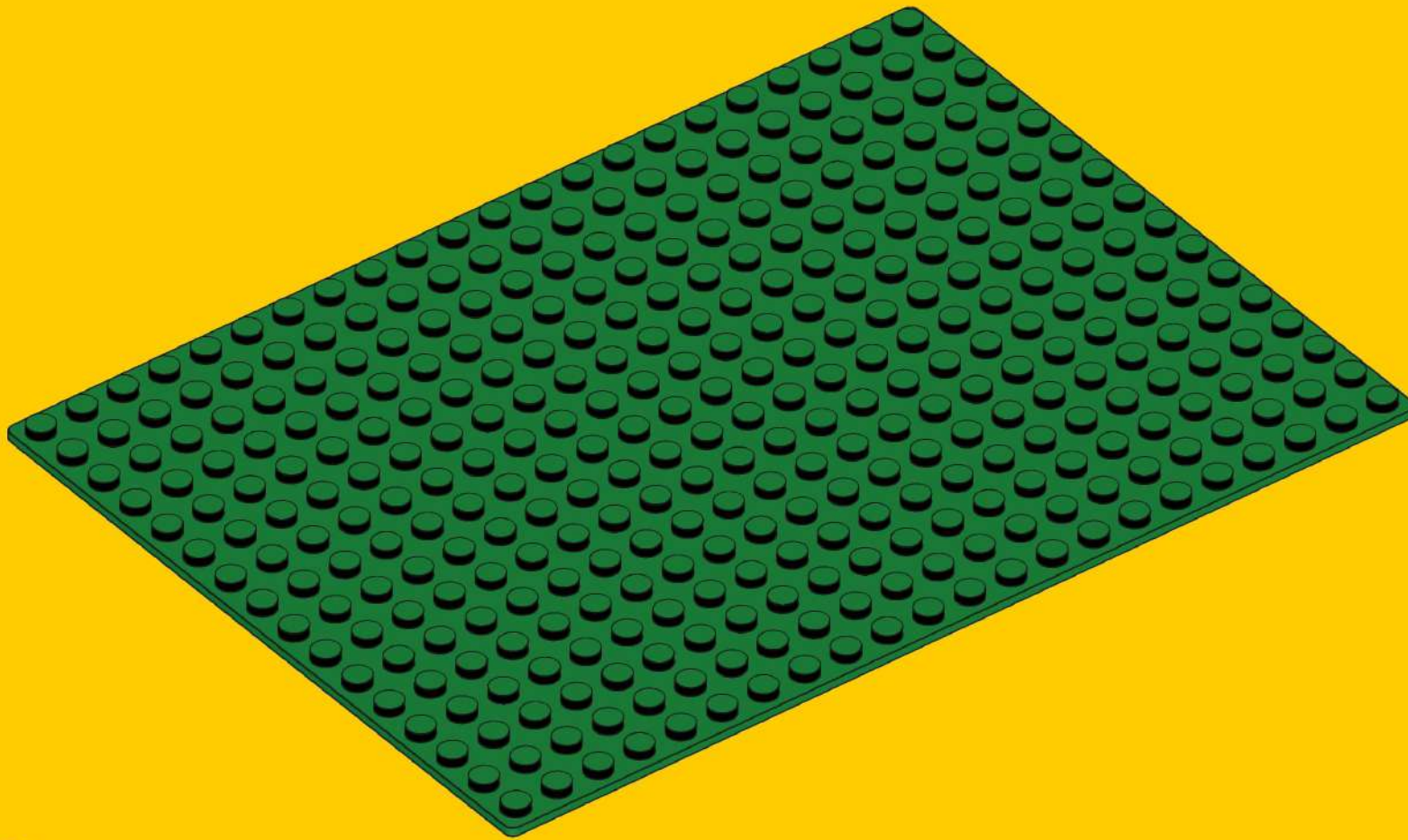


2x
983, 3



1x
3626ap01, 3





1x
982, 7

1x
210, 6



1x
981, 7

