

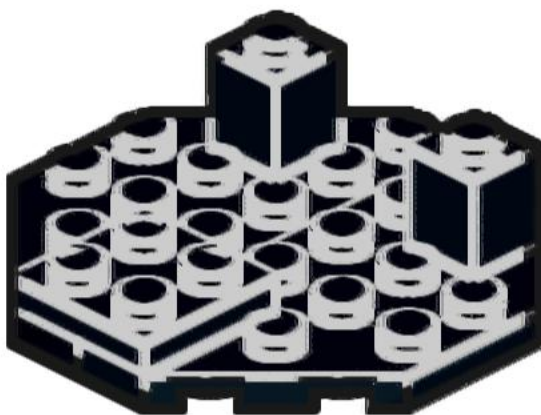
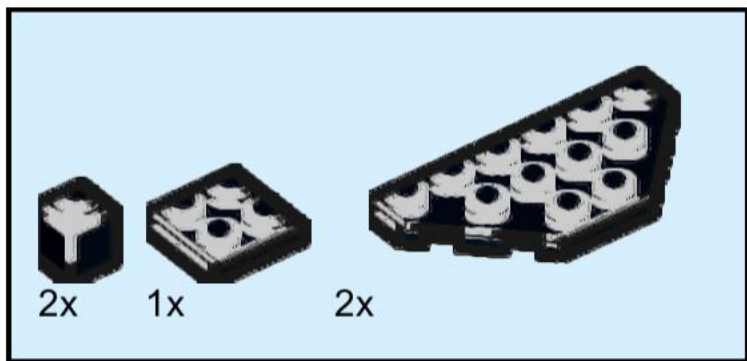
6835-A Saucer Akela



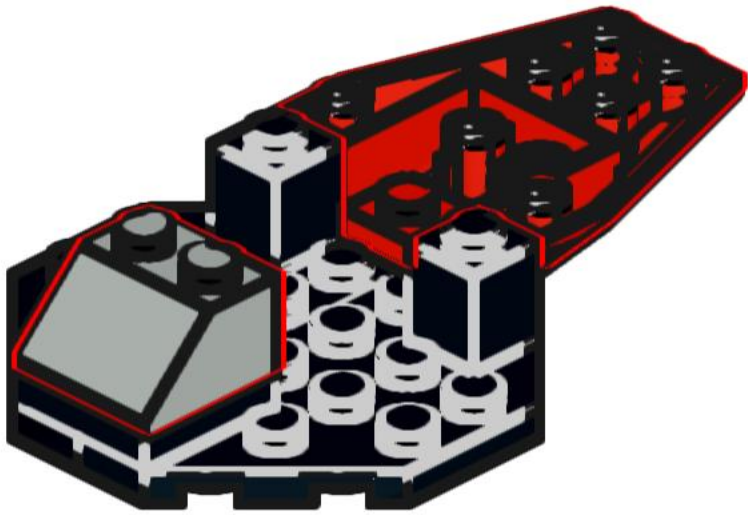
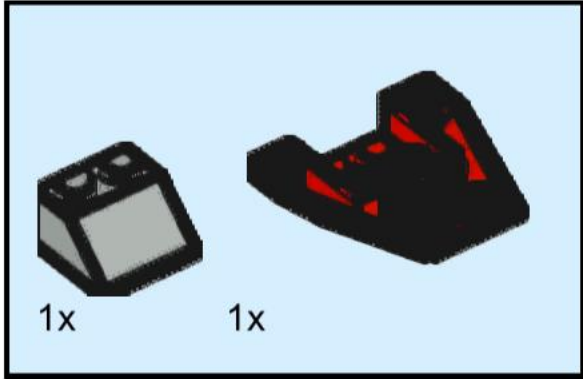
Original idea by Lego
Instructions by IceAge2002

For more models visit:
www.backoftheboxbuilds.com

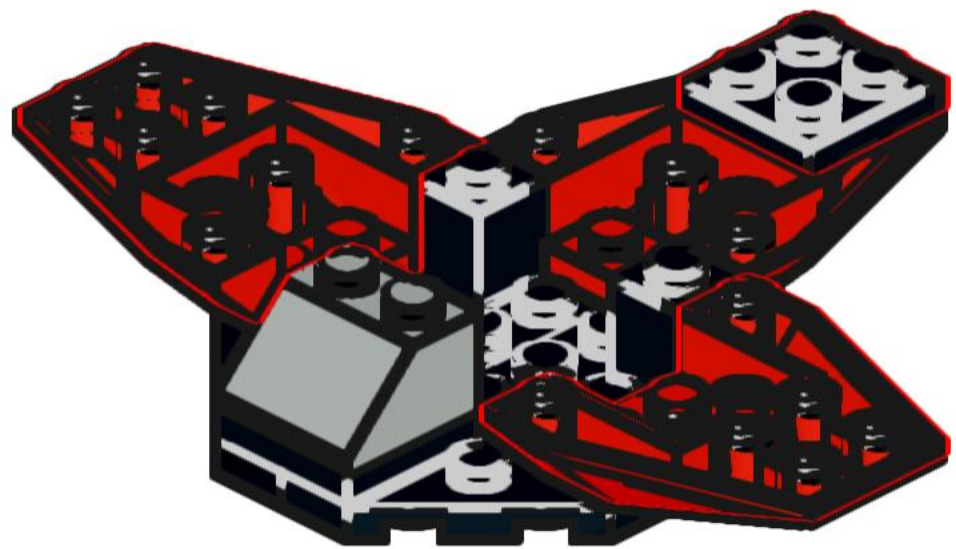
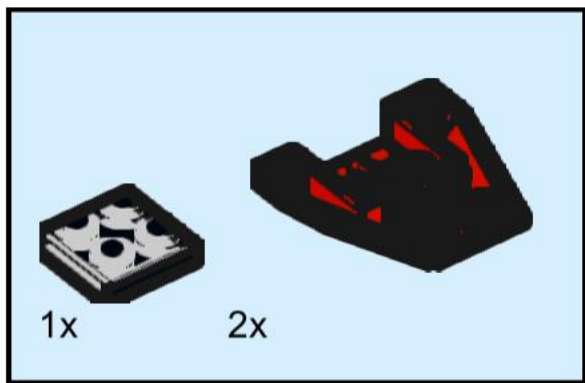
1



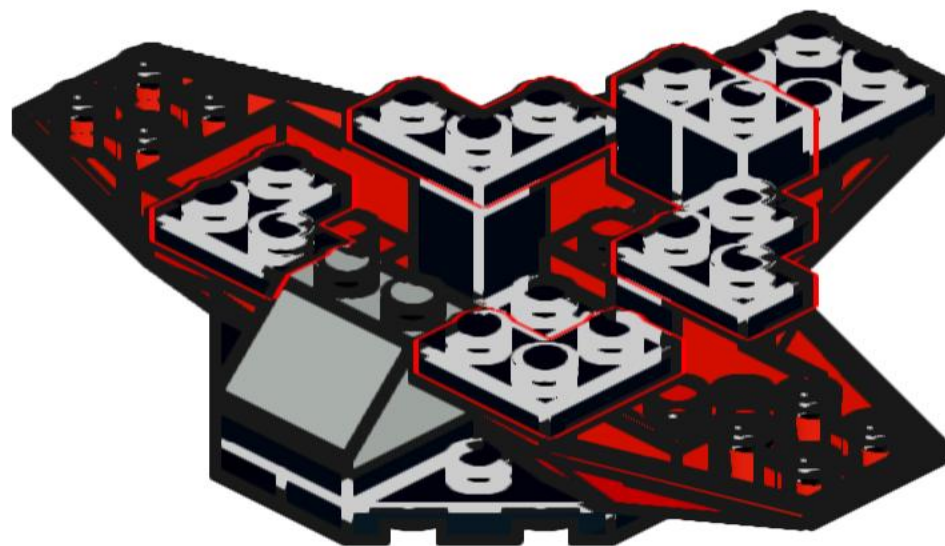
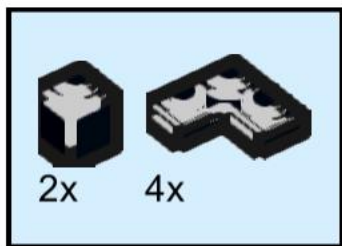
2



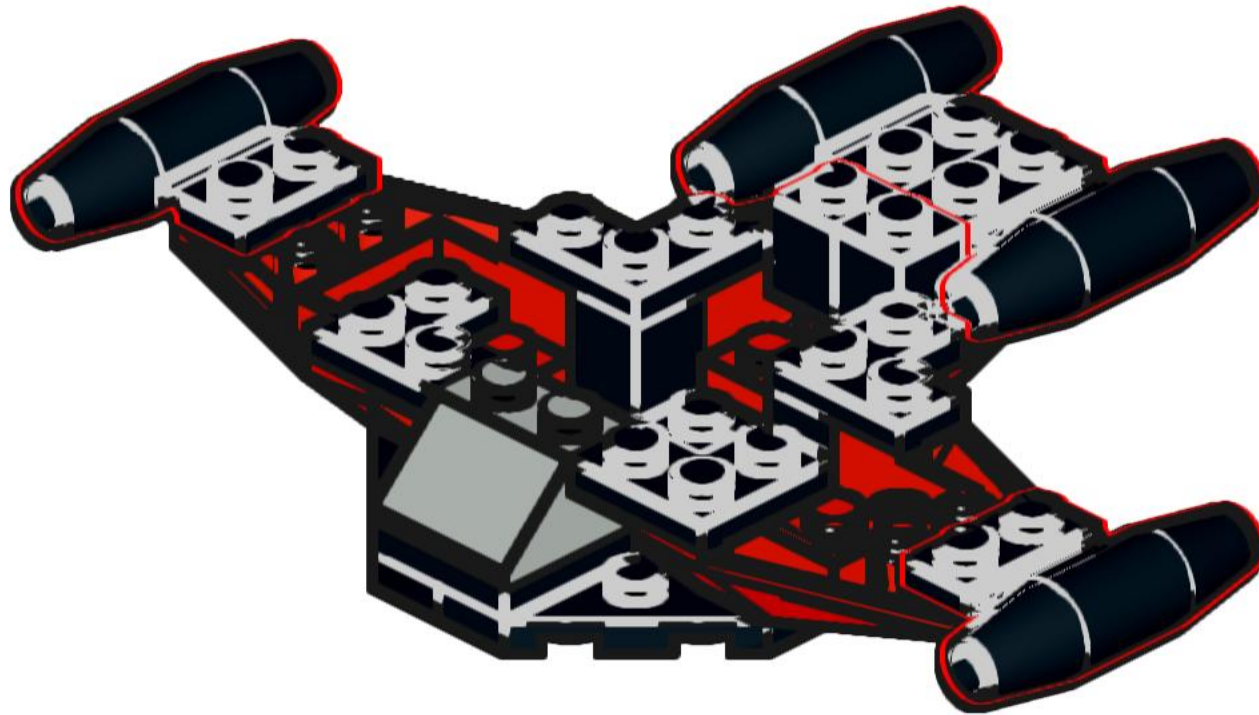
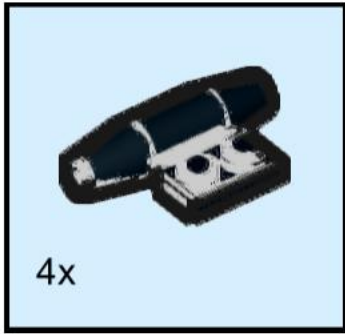
3



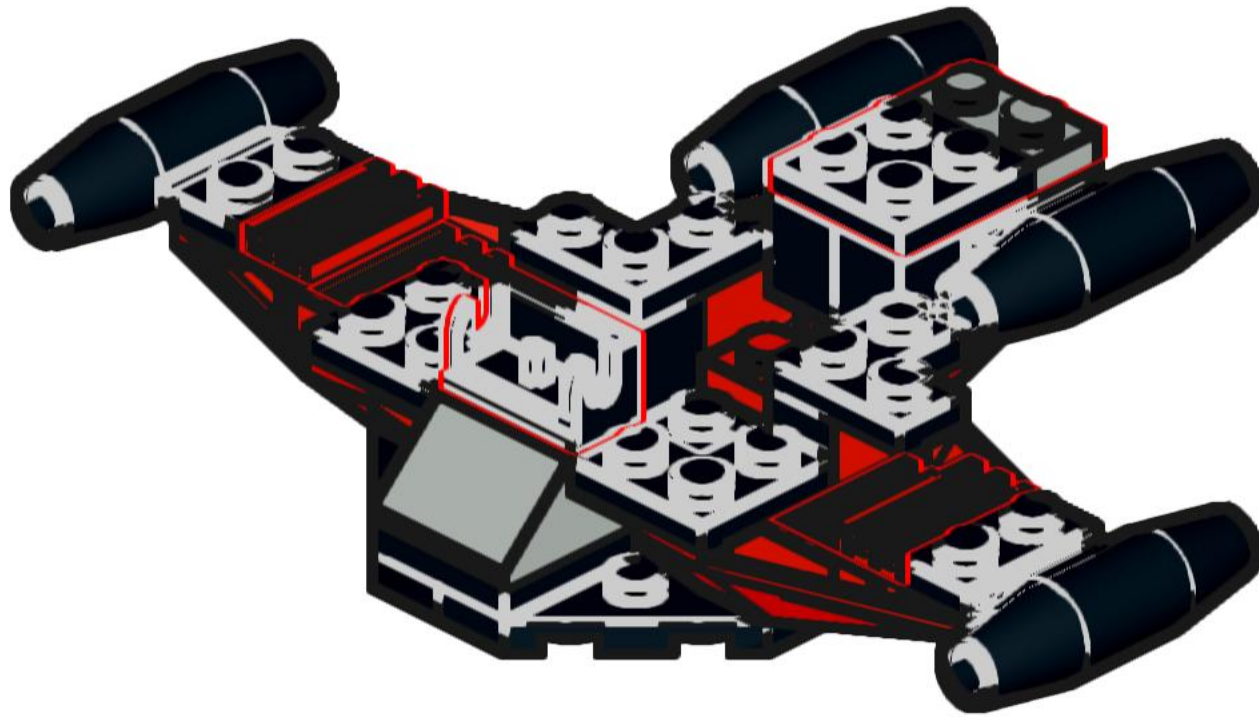
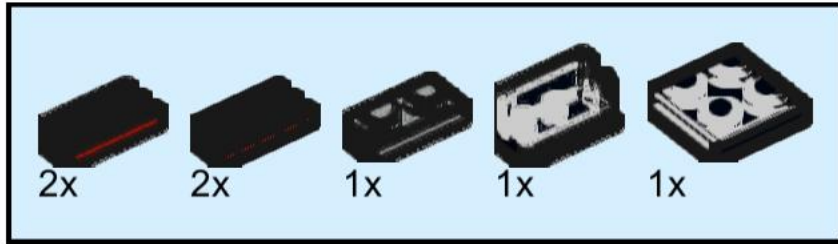
4



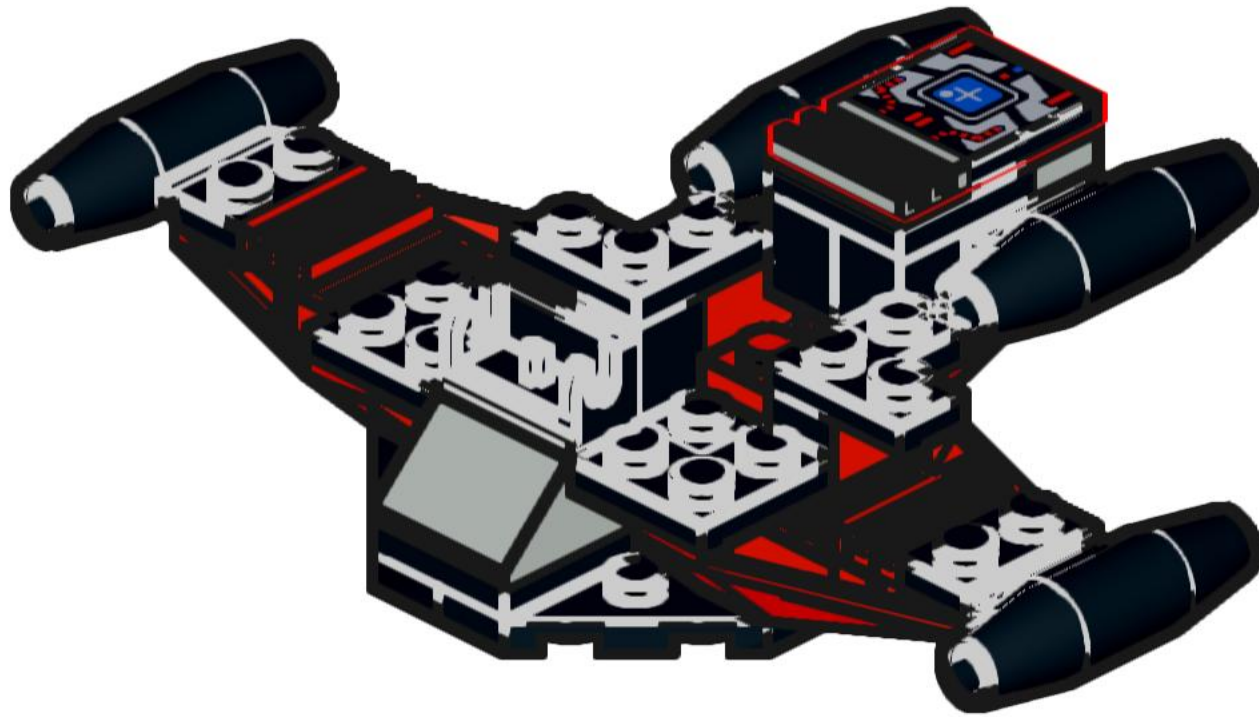
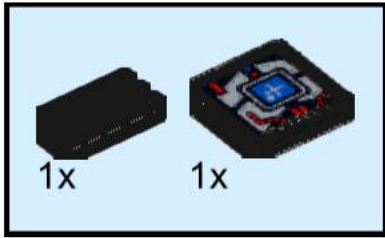
5



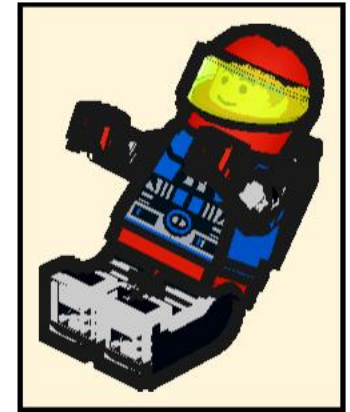
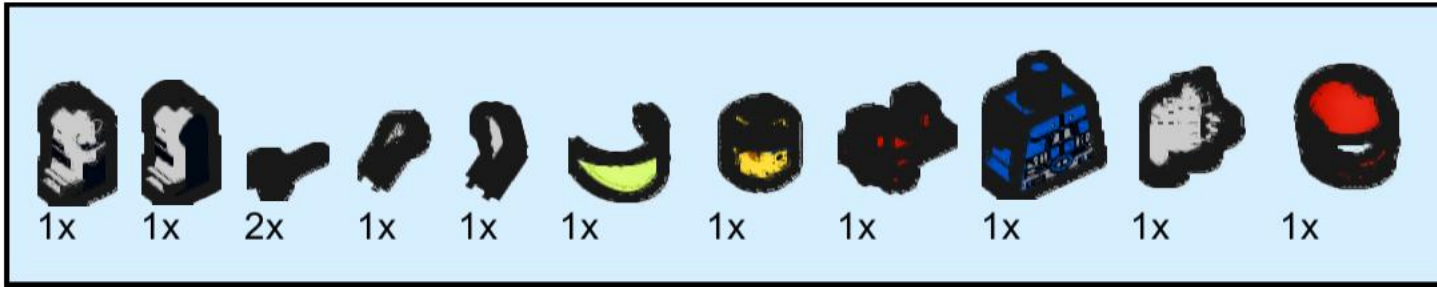
6



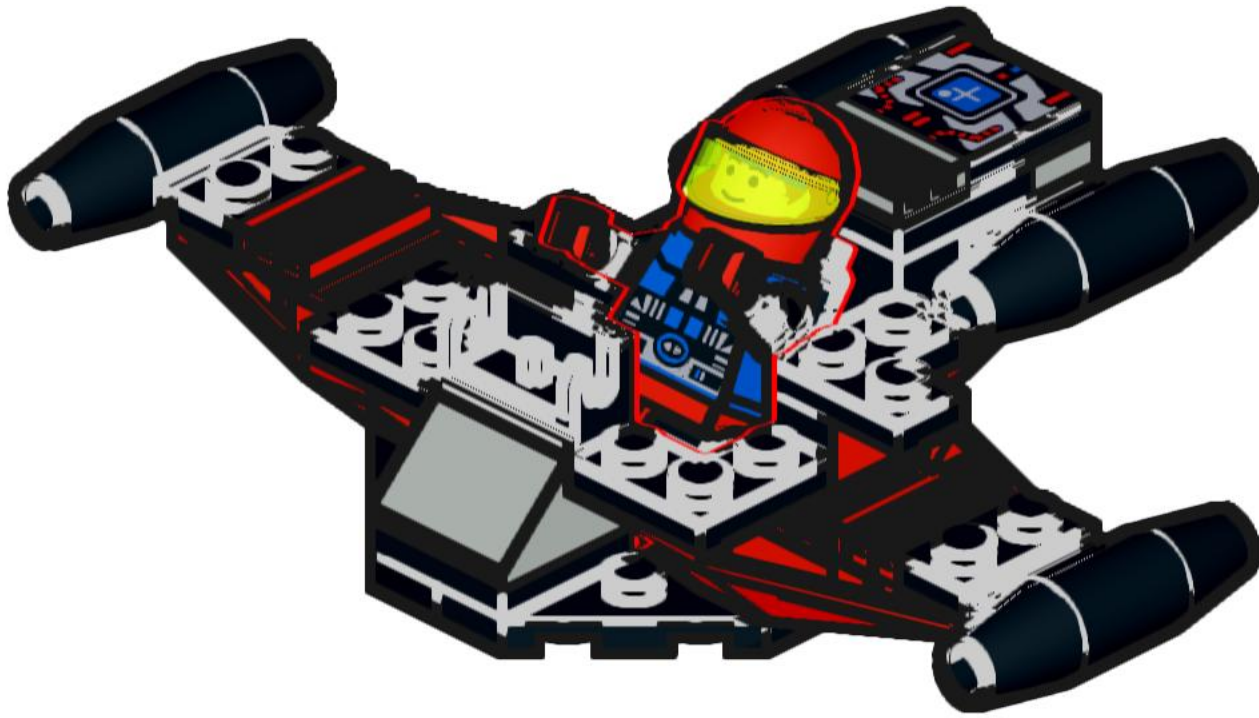
7



8



9



10

