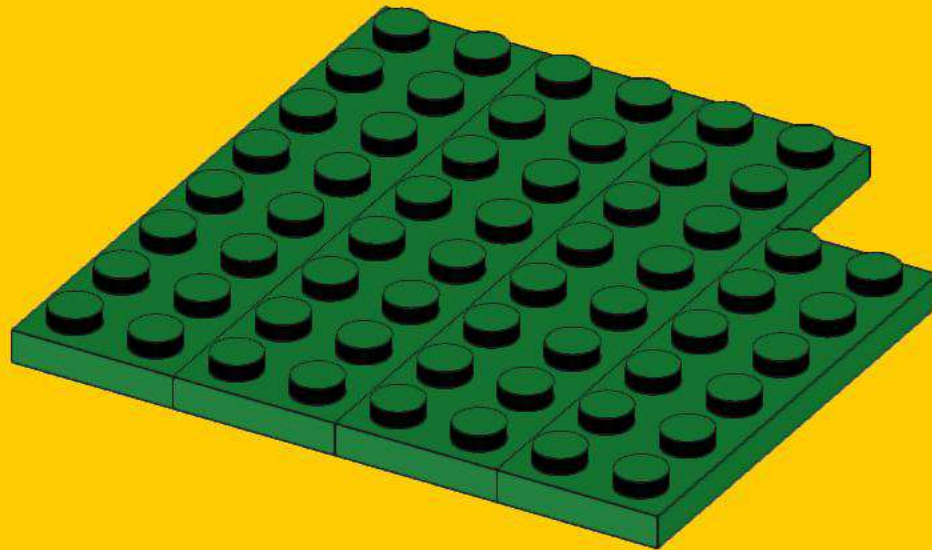
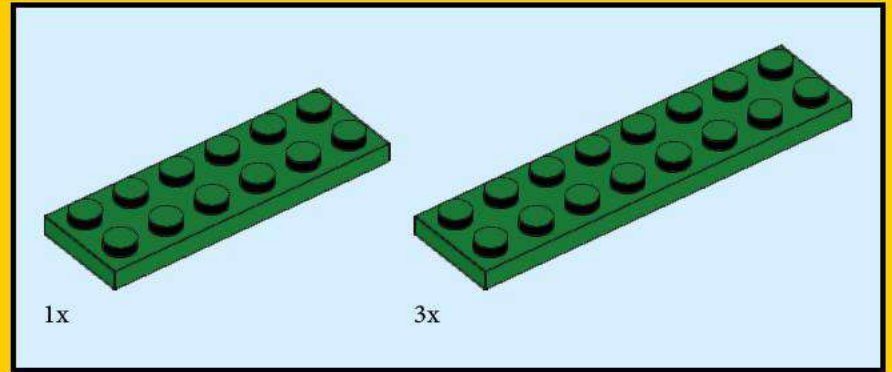


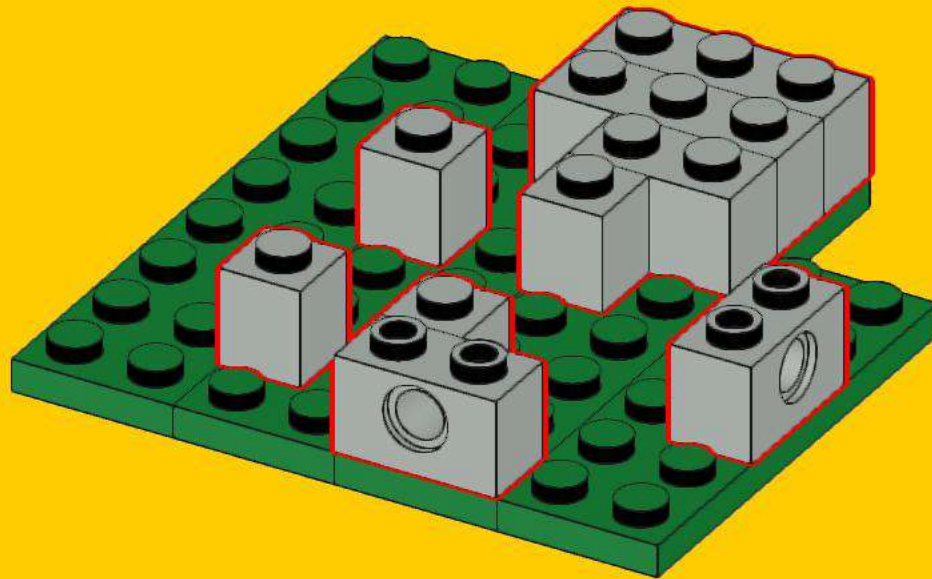
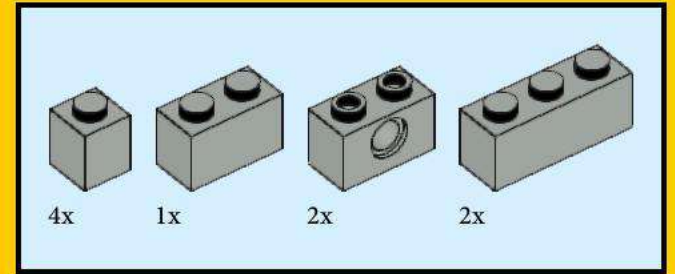
6074 Back B
Black Falcon's Side Entrance



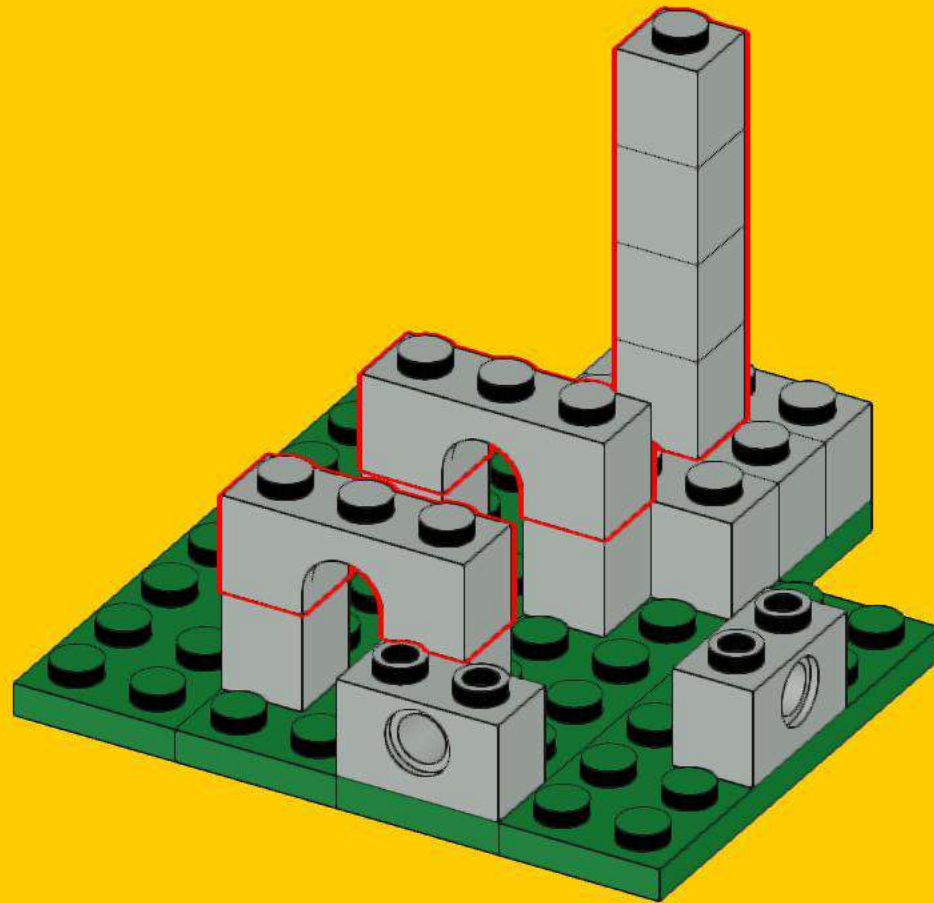
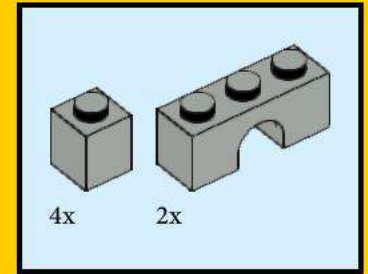
1



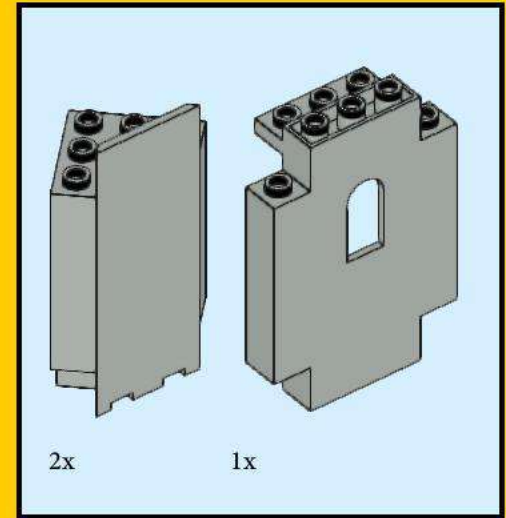
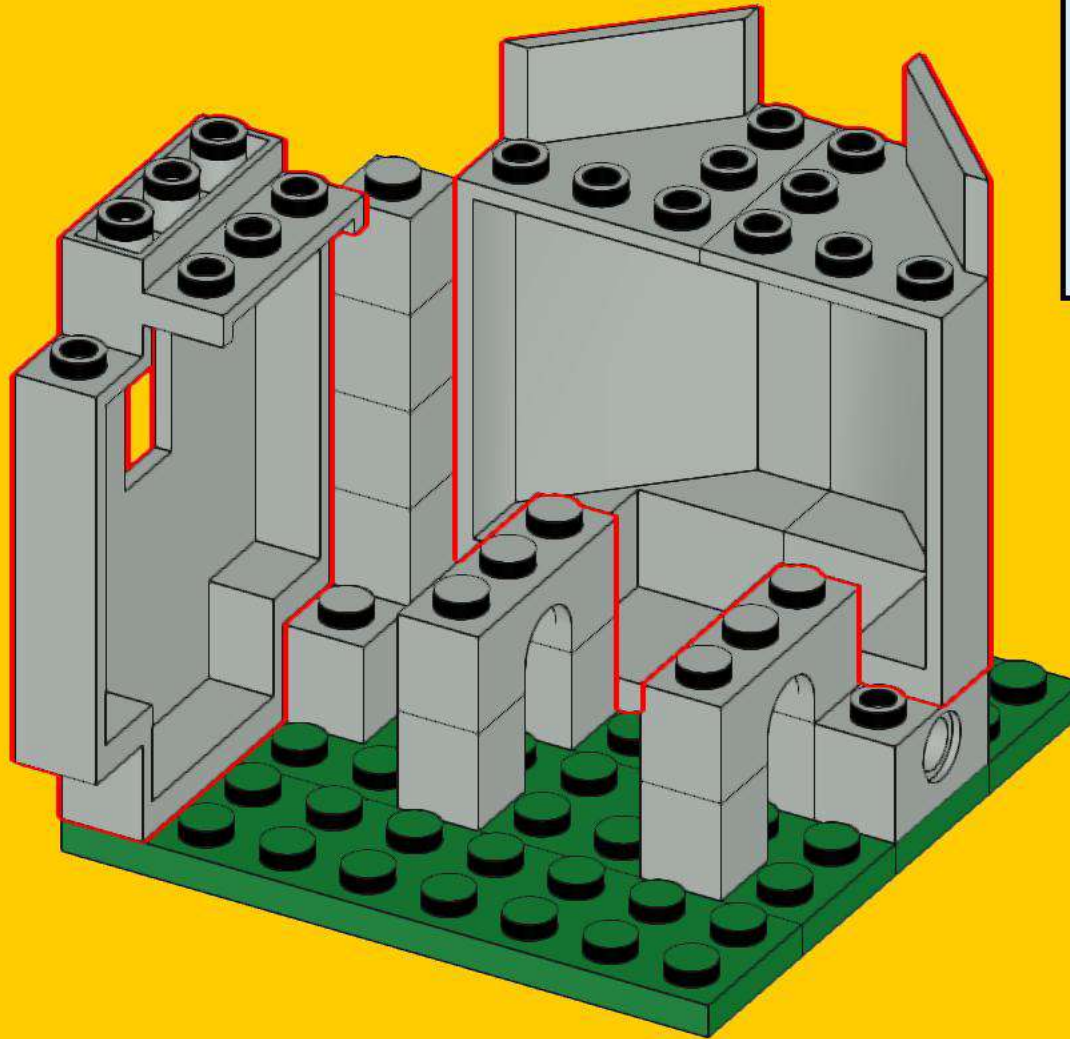
2



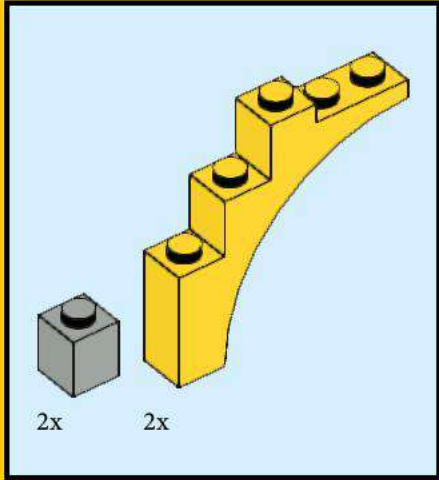
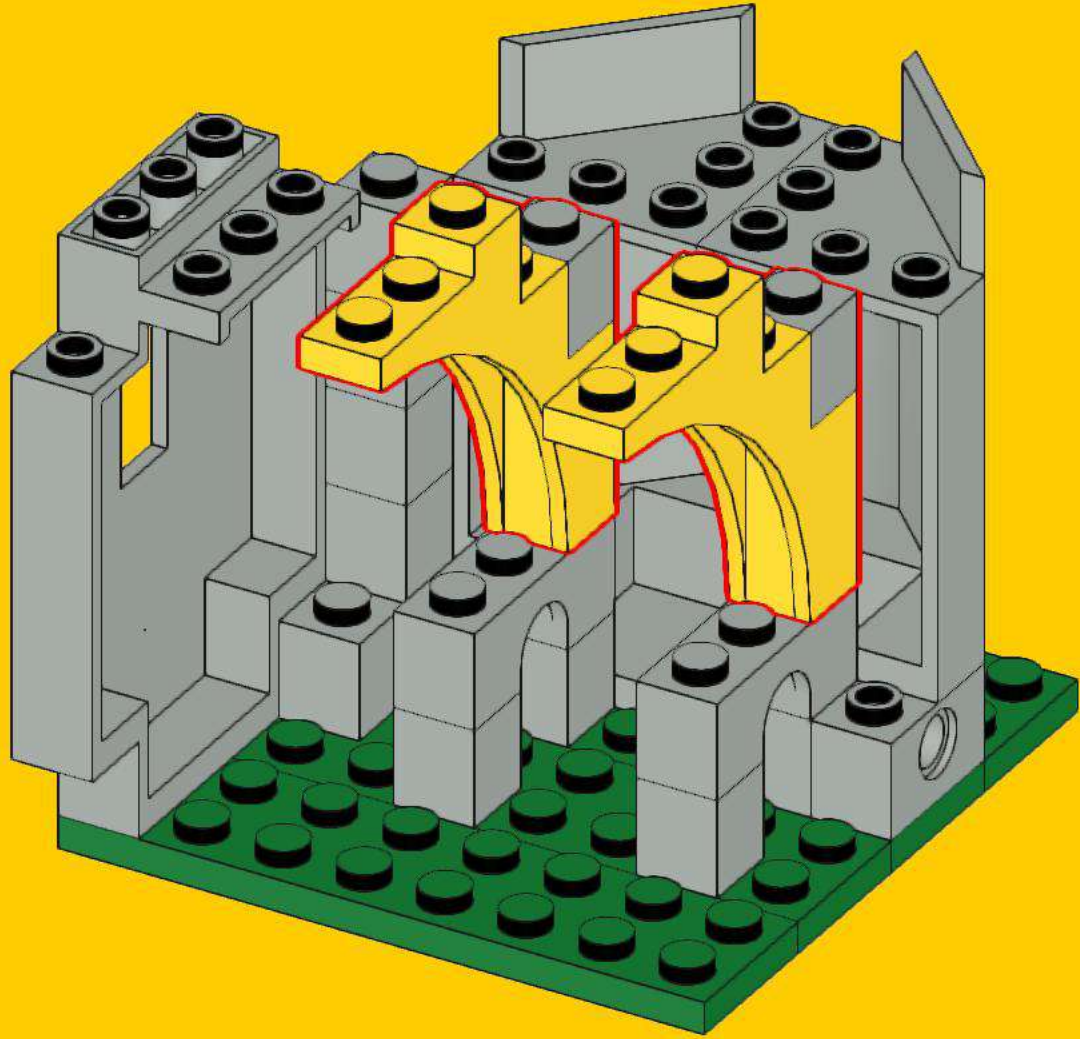
3



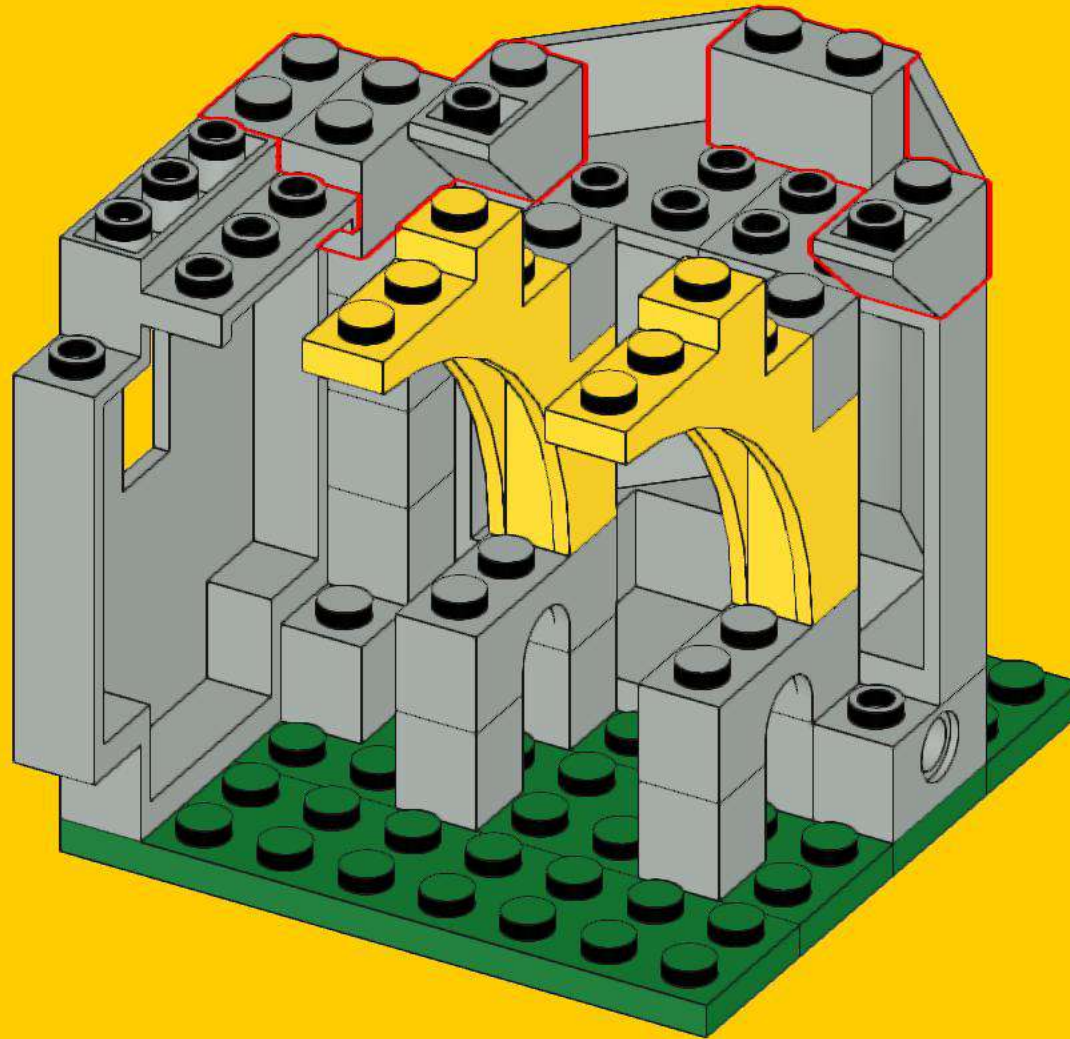
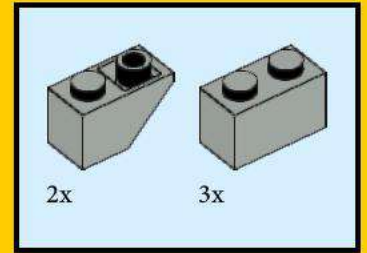
4



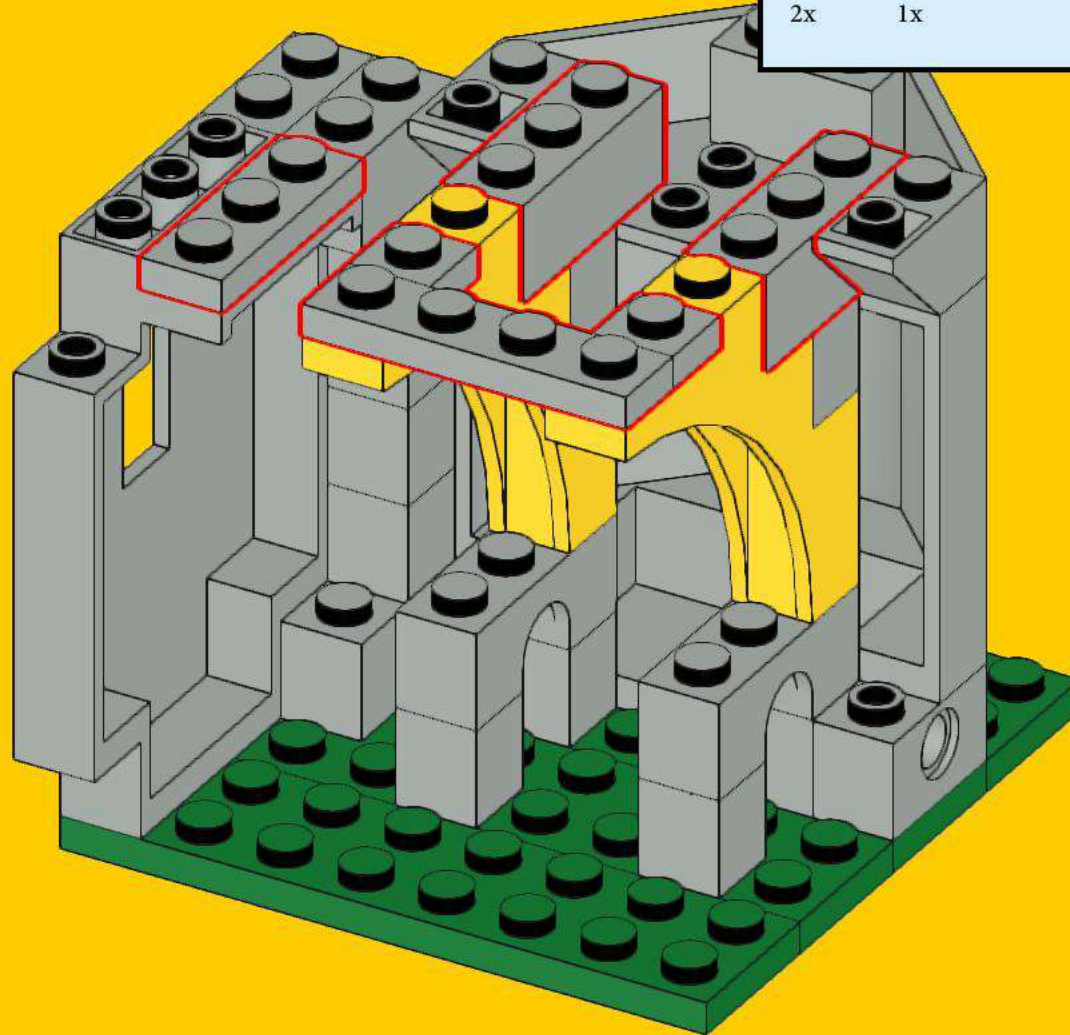
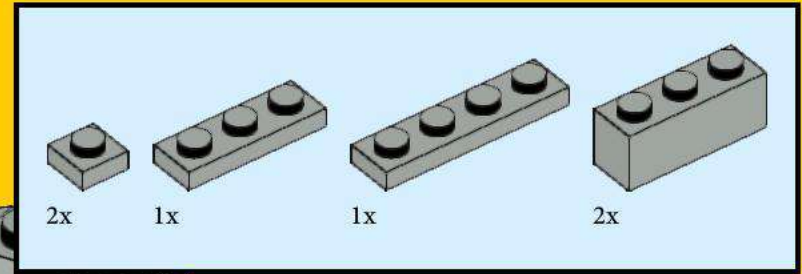
5



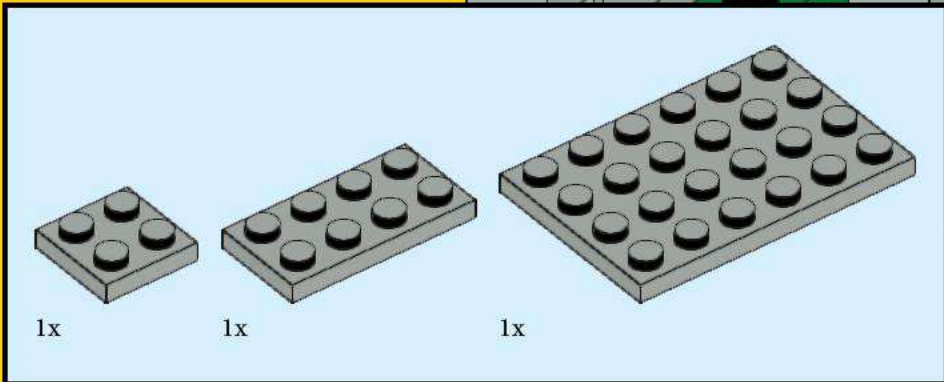
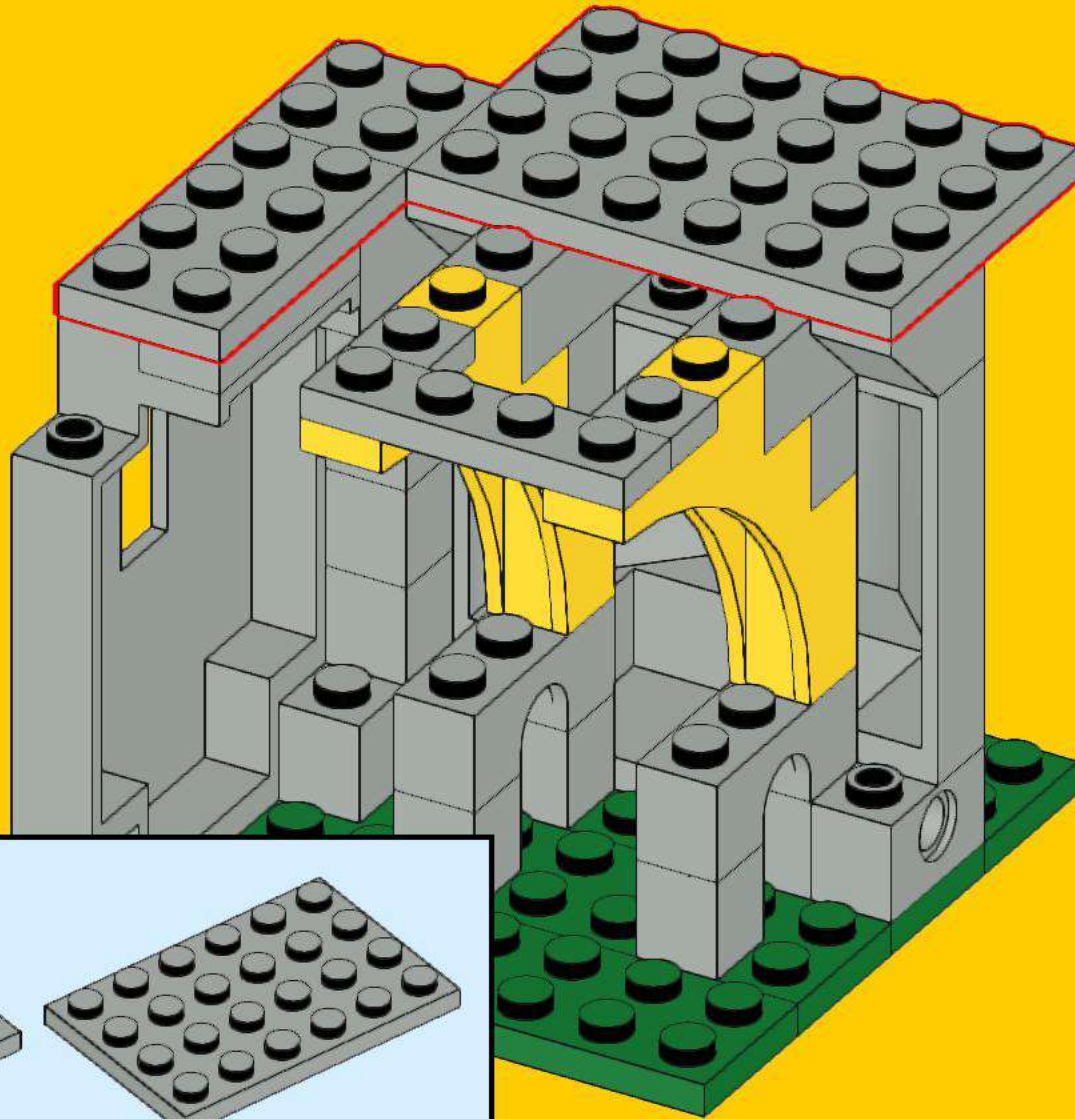
6



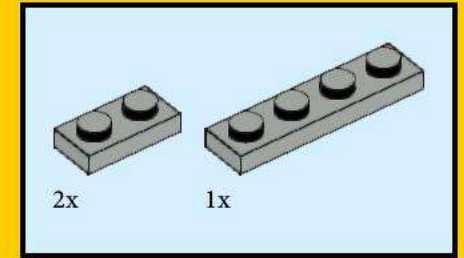
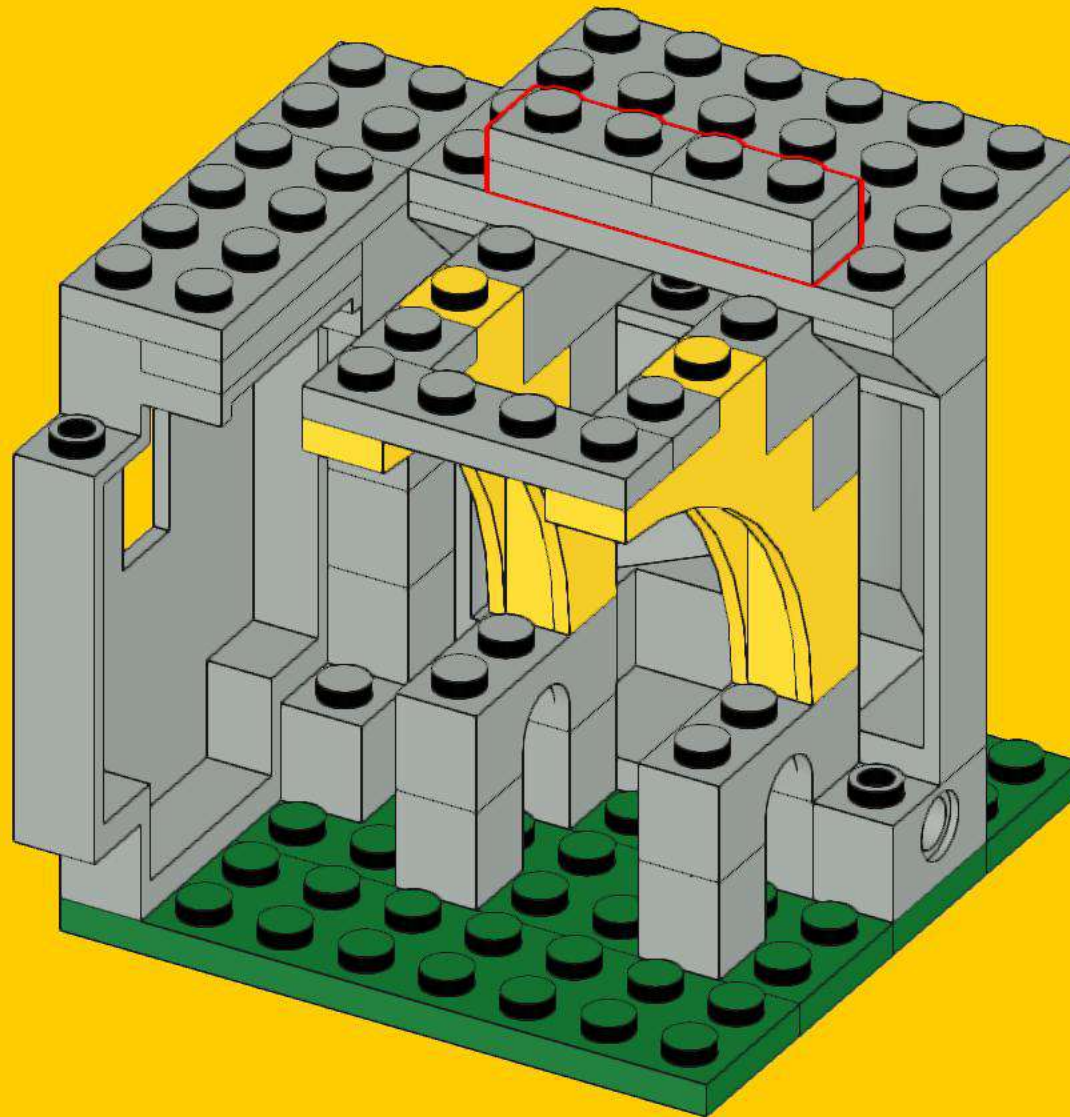
7



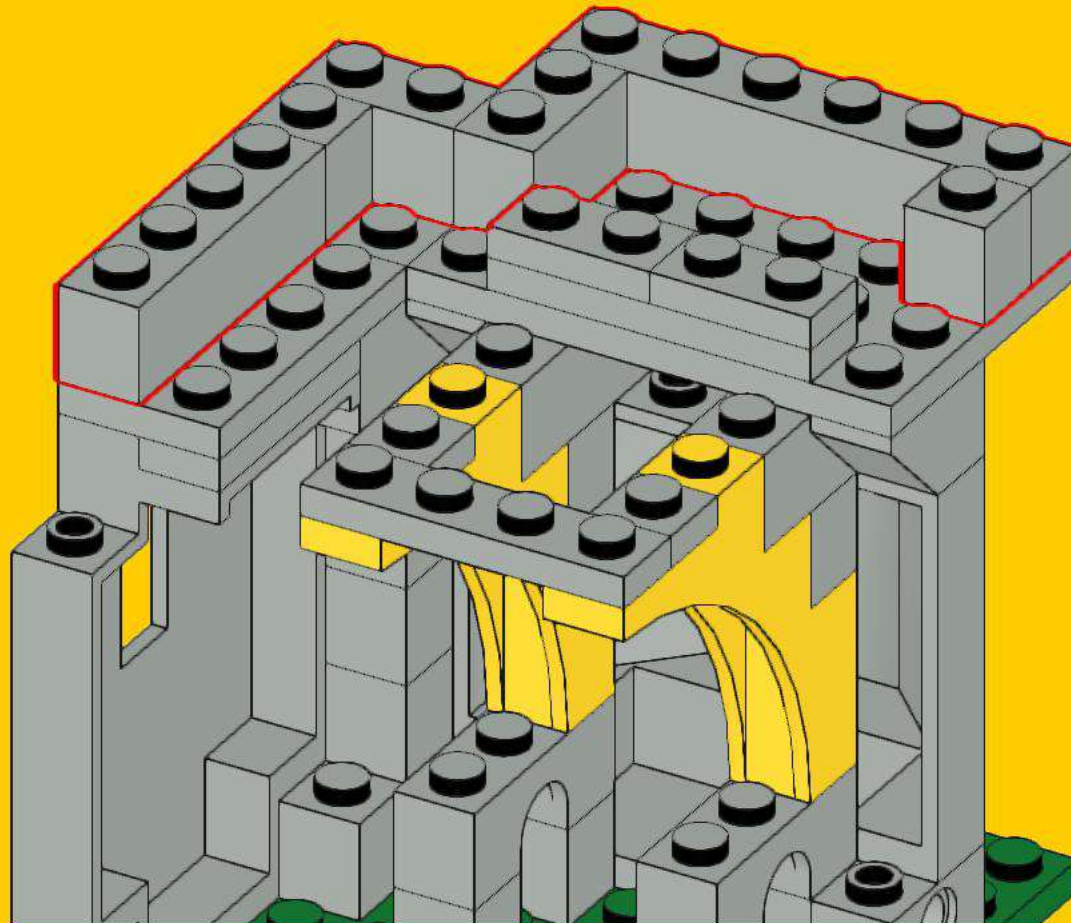
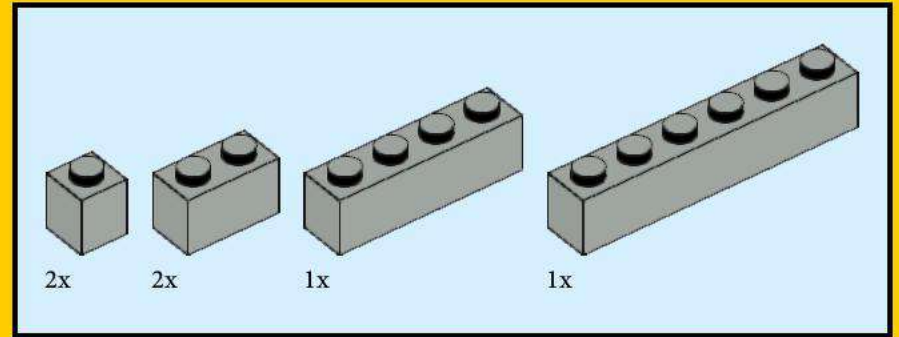
8



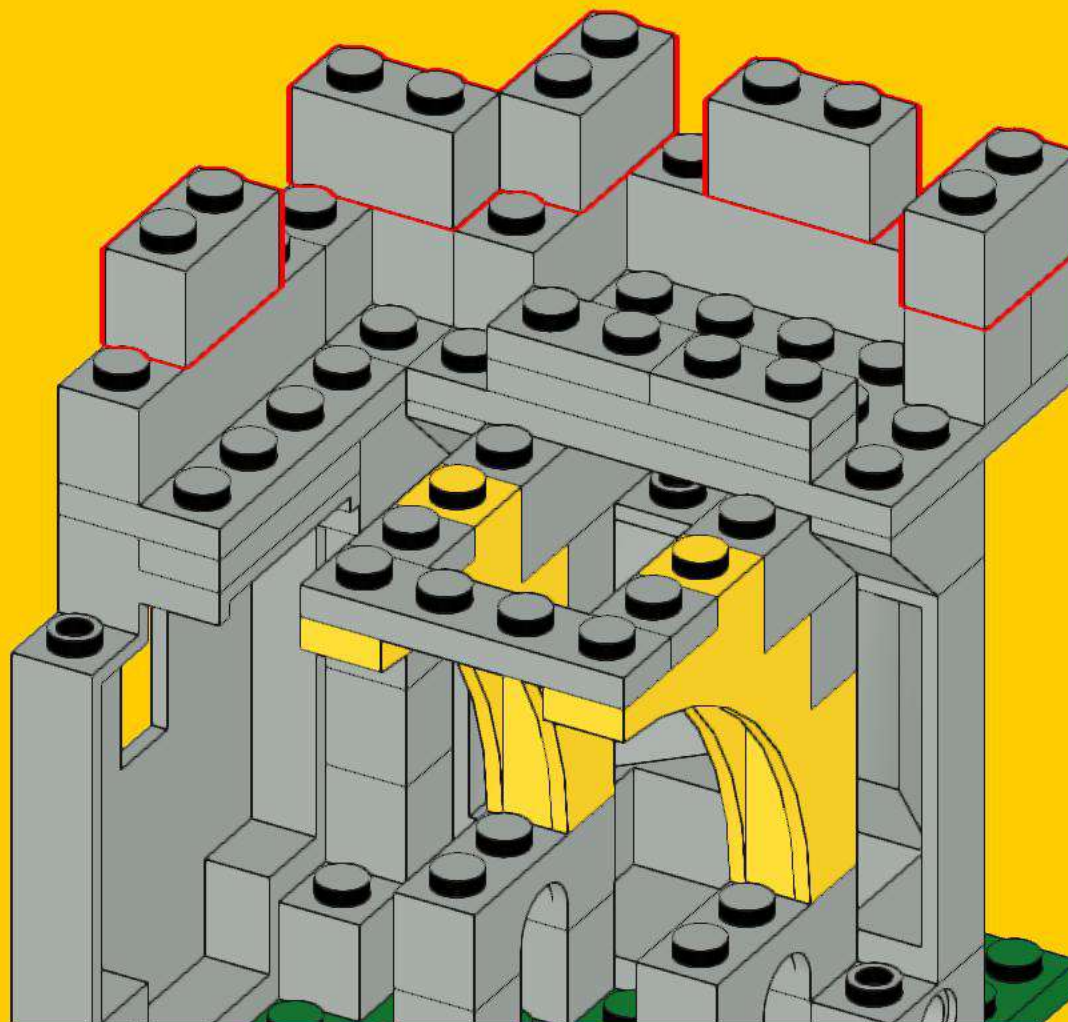
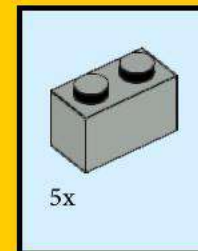
9



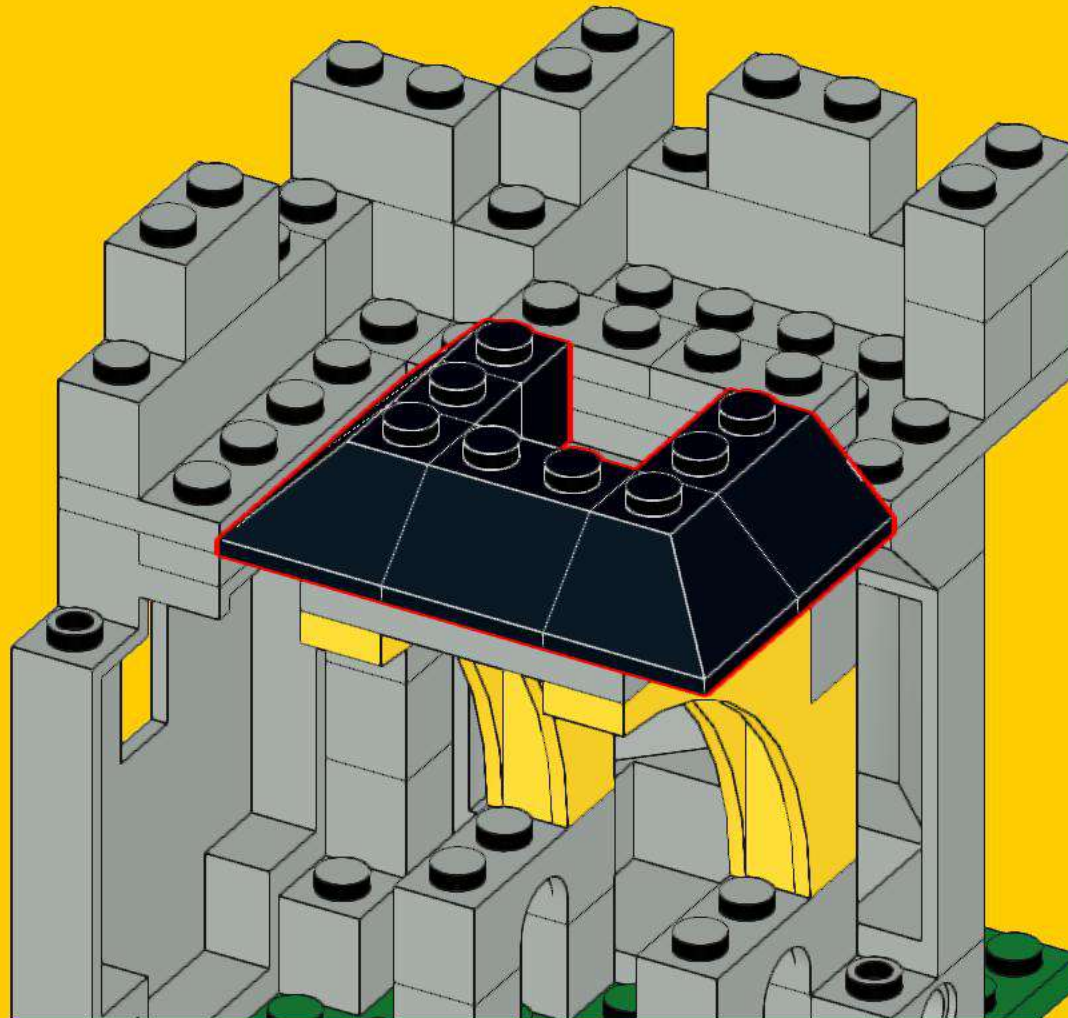
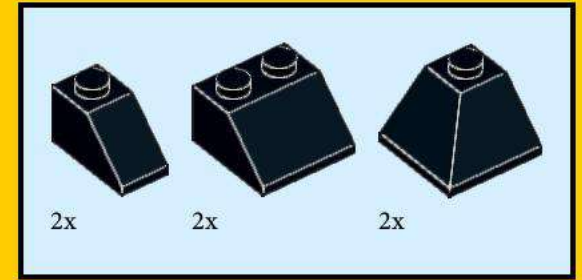
10



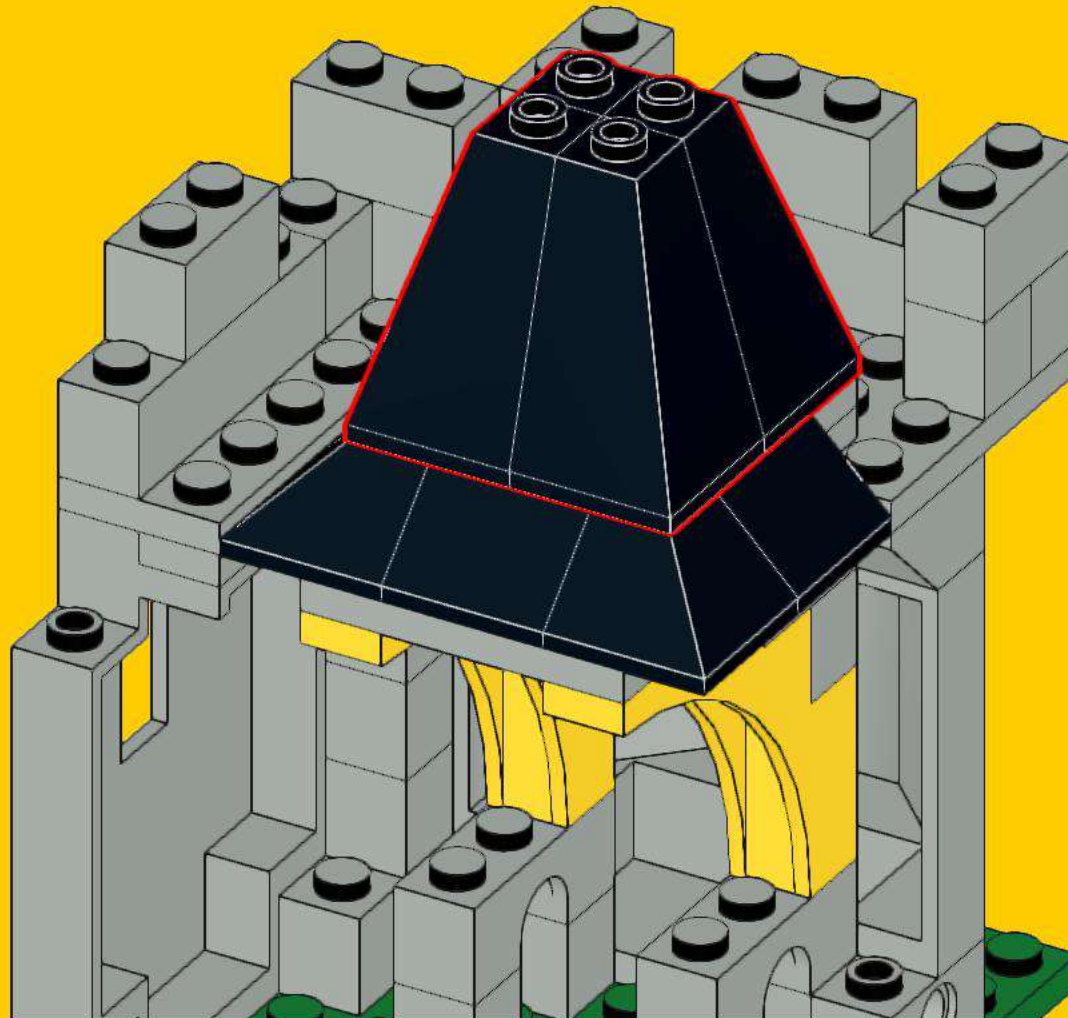
11



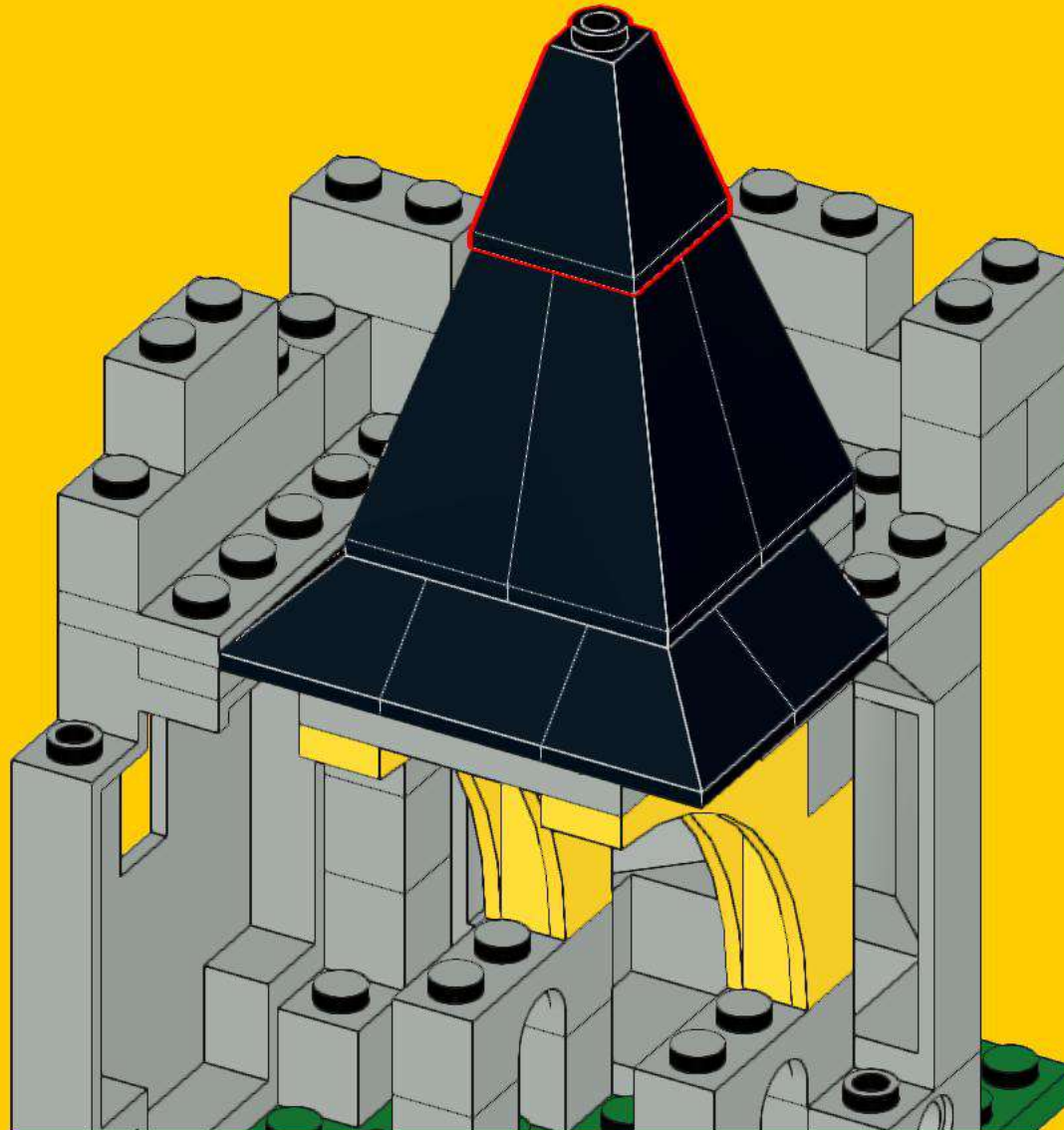
12



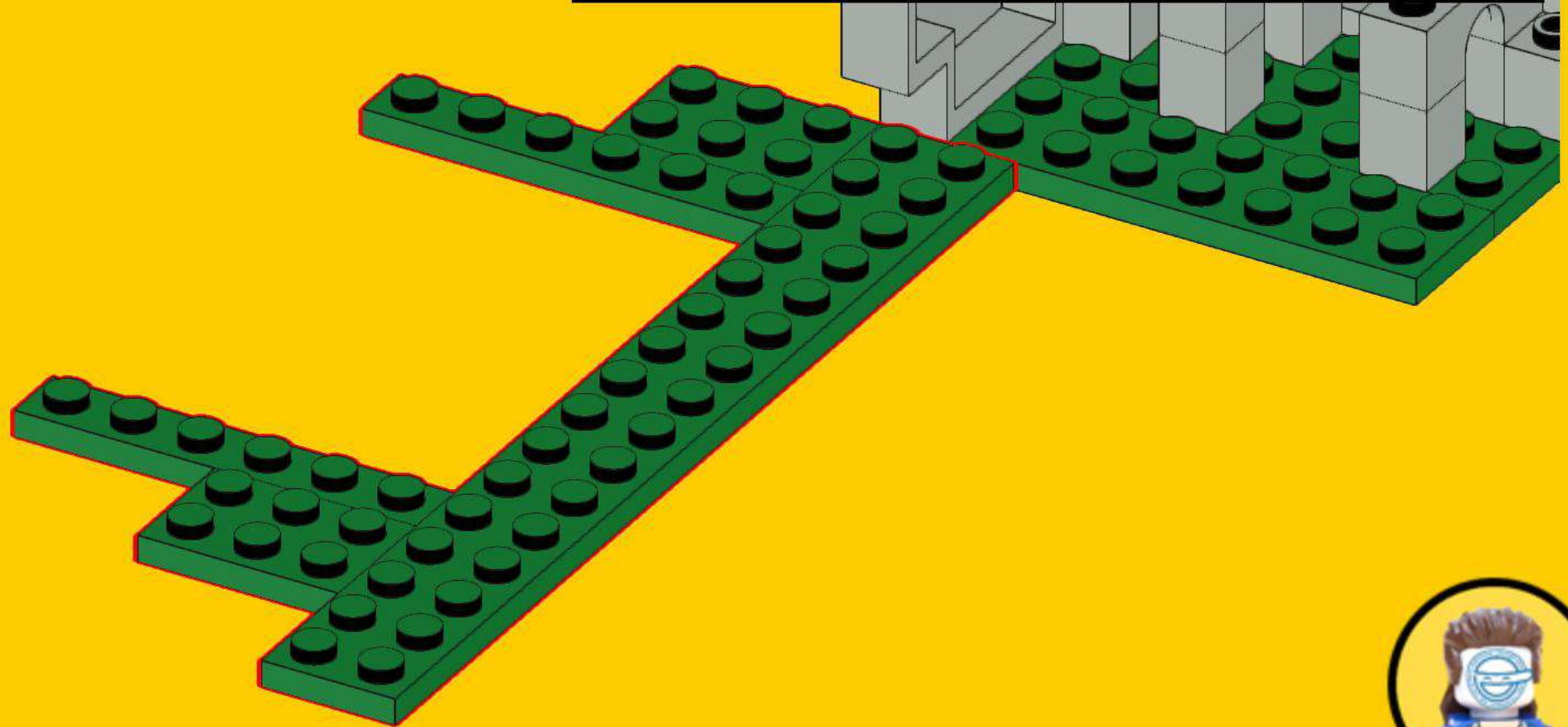
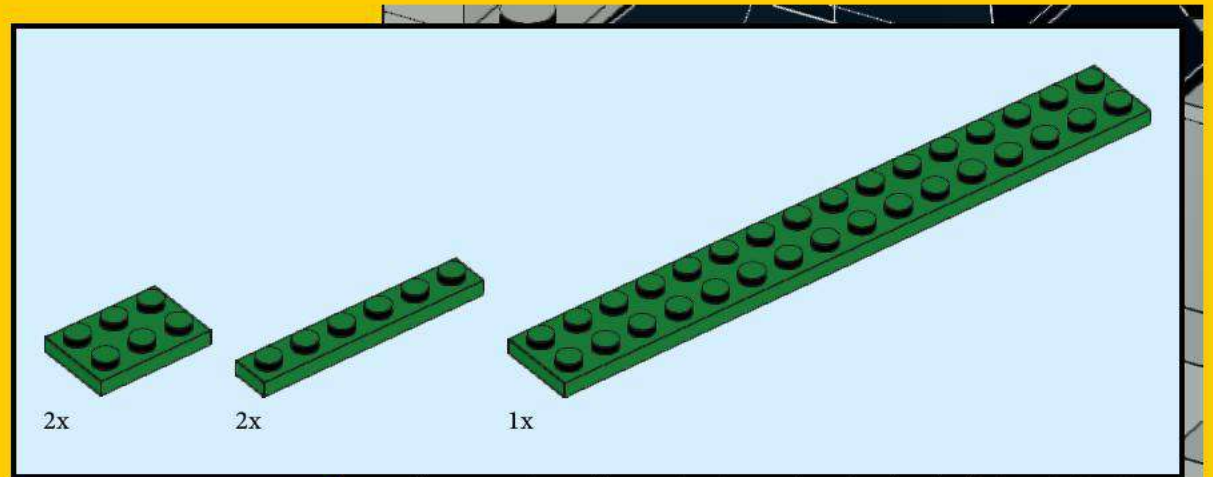
13



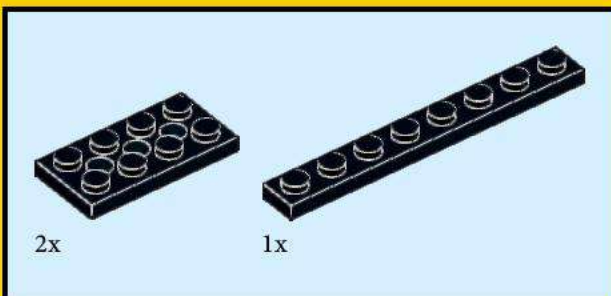
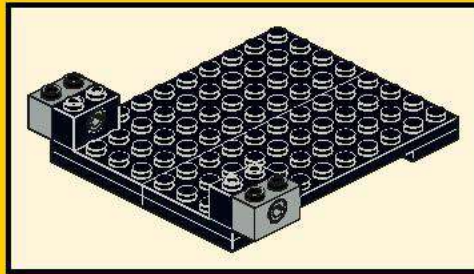
14



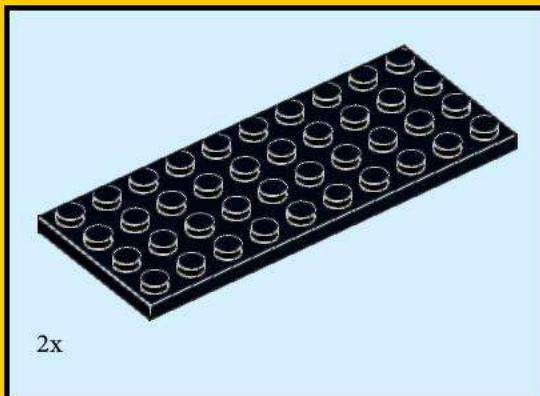
15



17

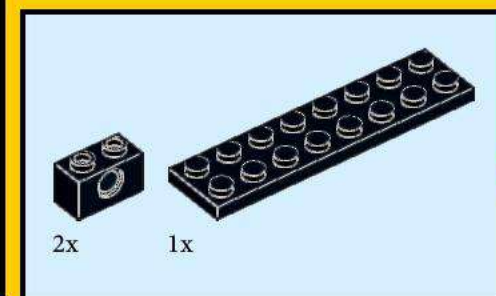


18



2x

19

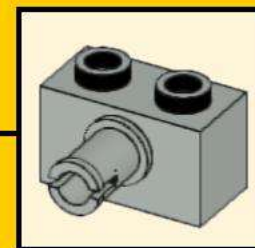
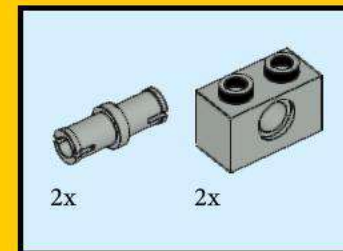


2x

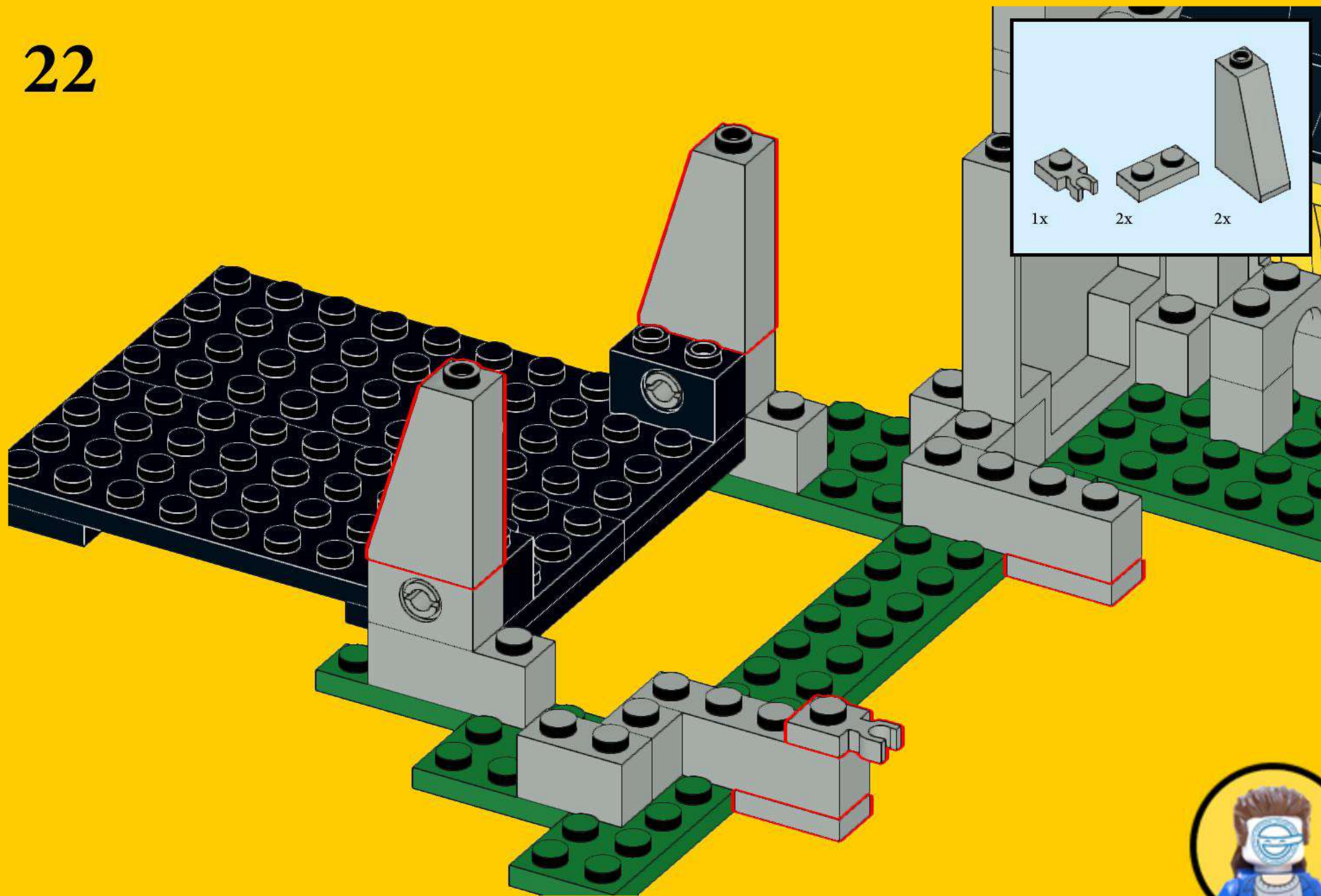
1x



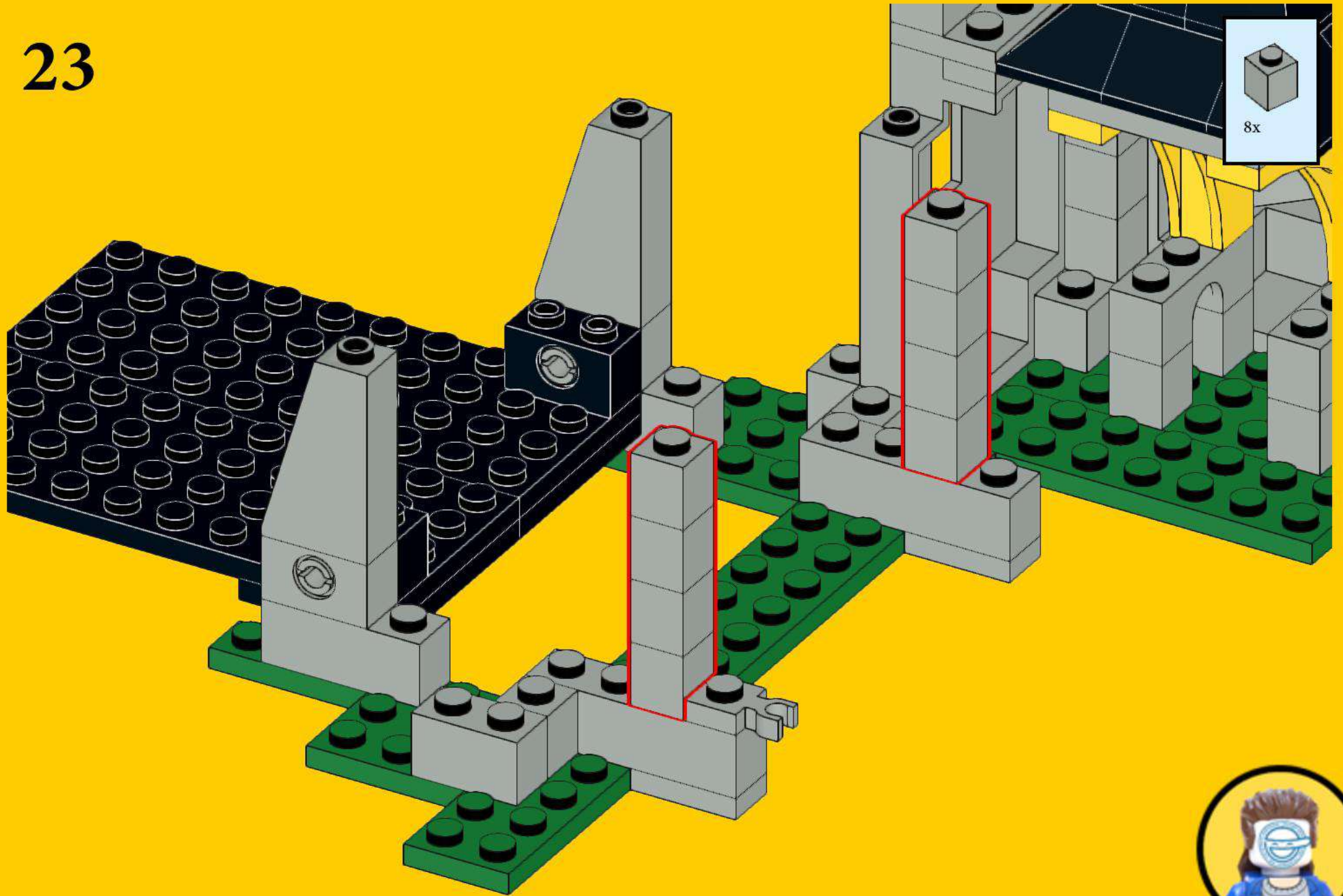
20



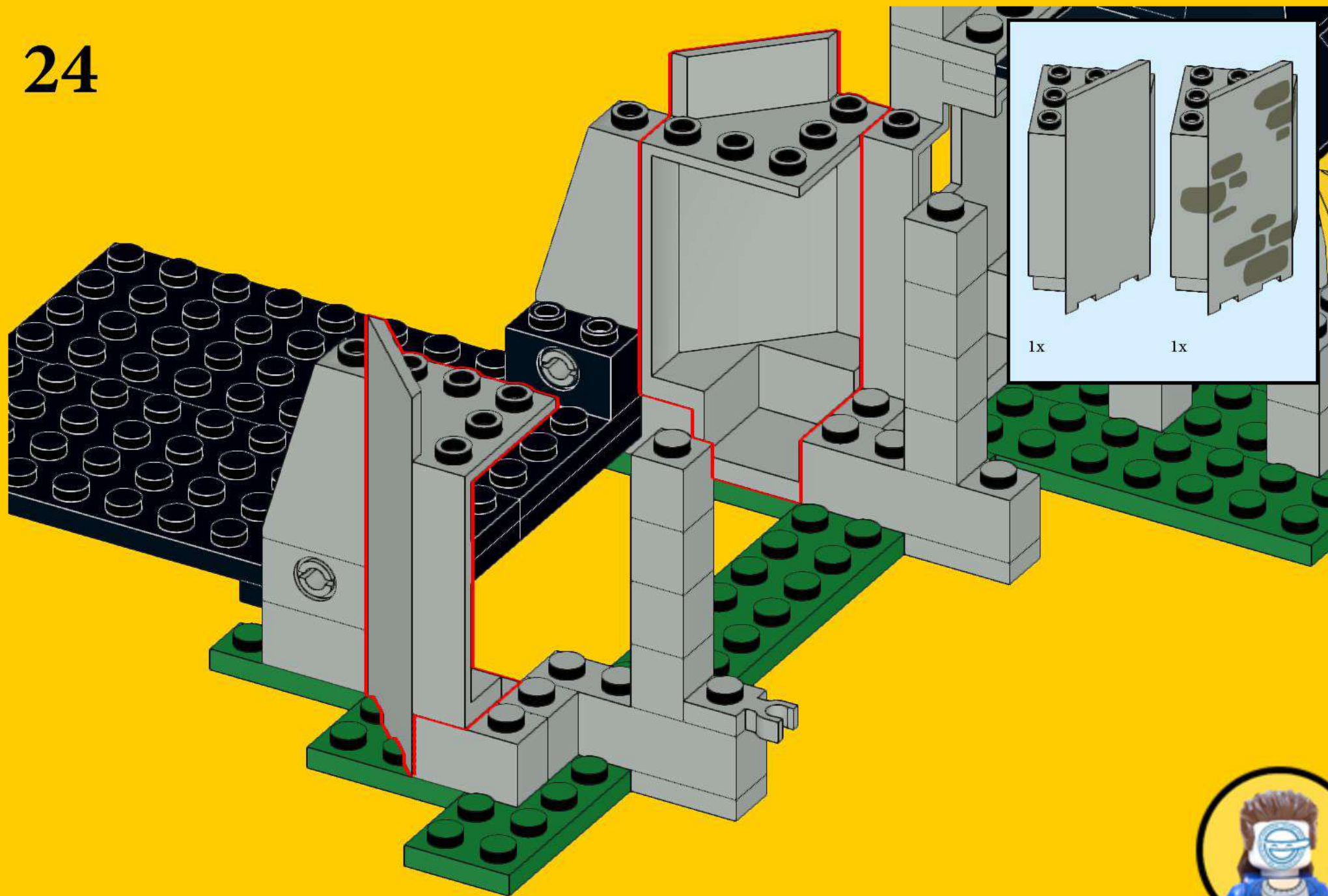
22



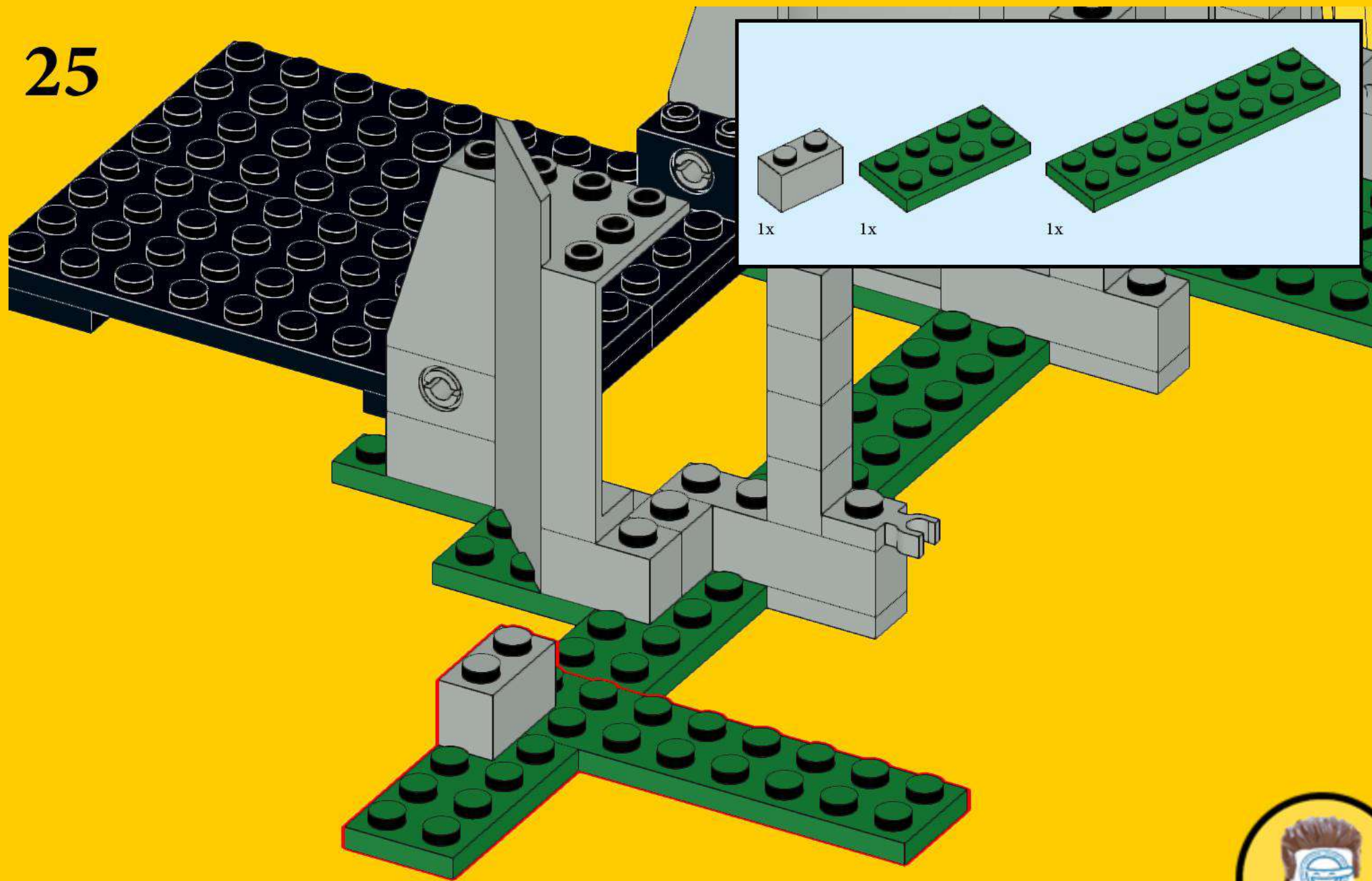
23



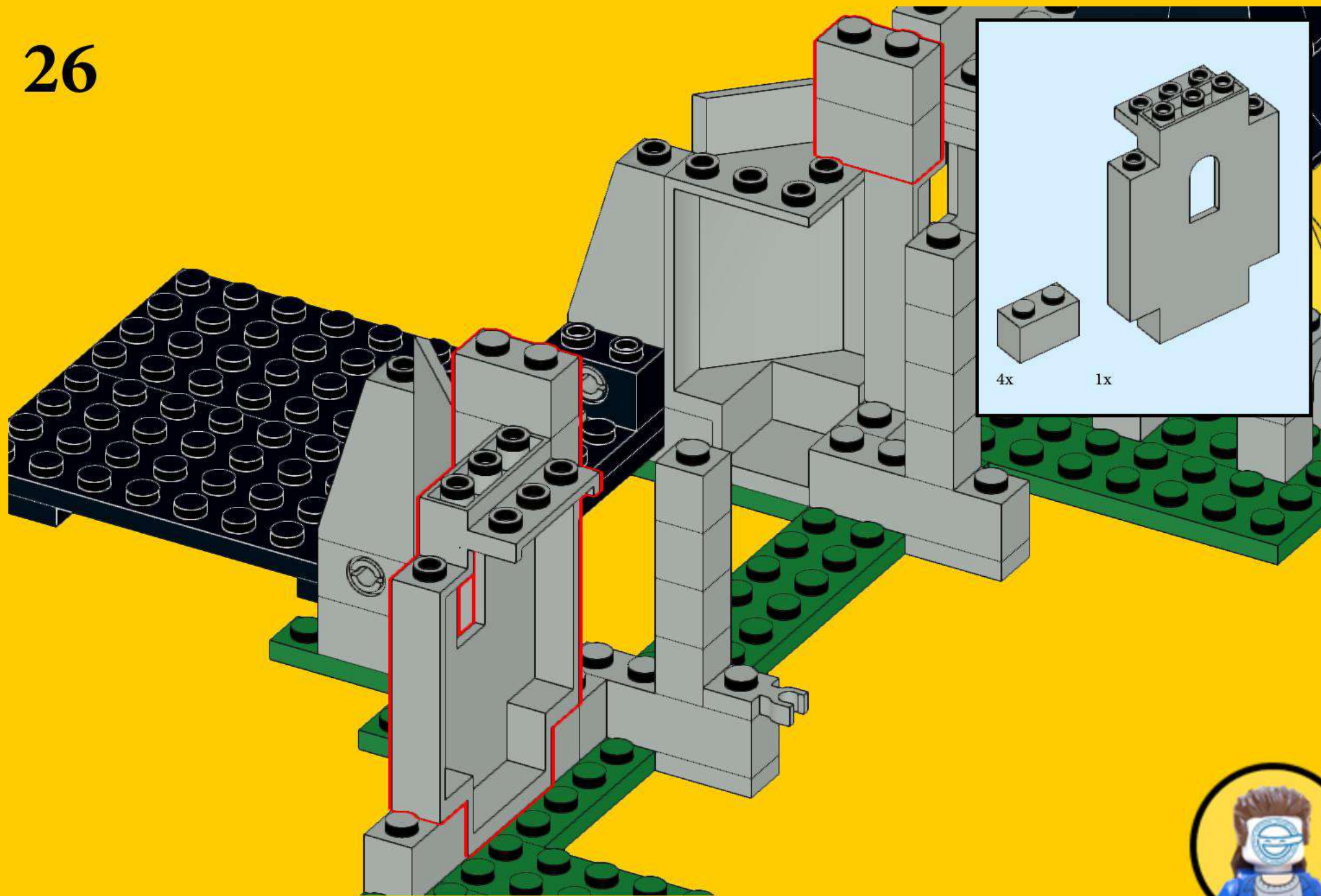
24



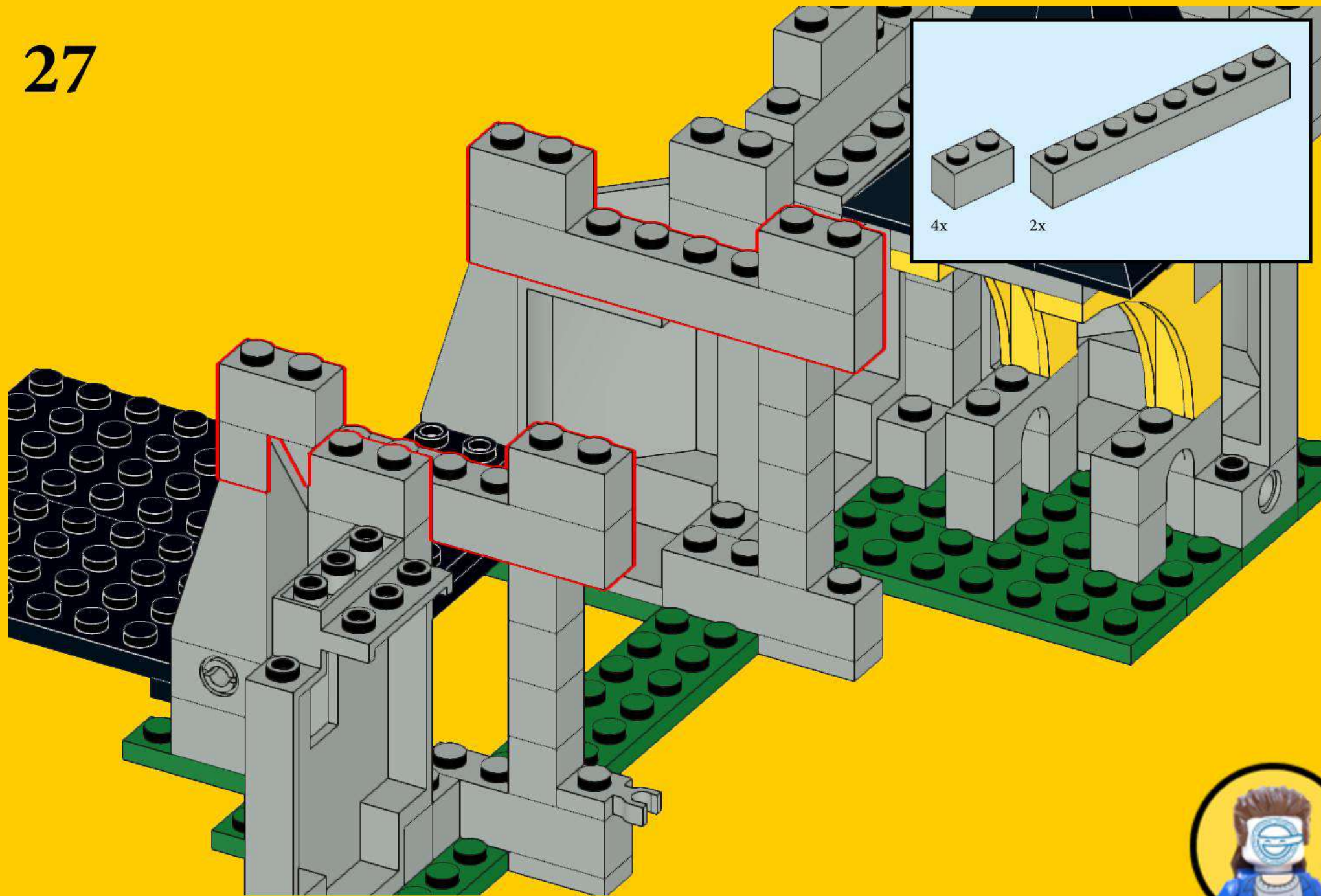
25



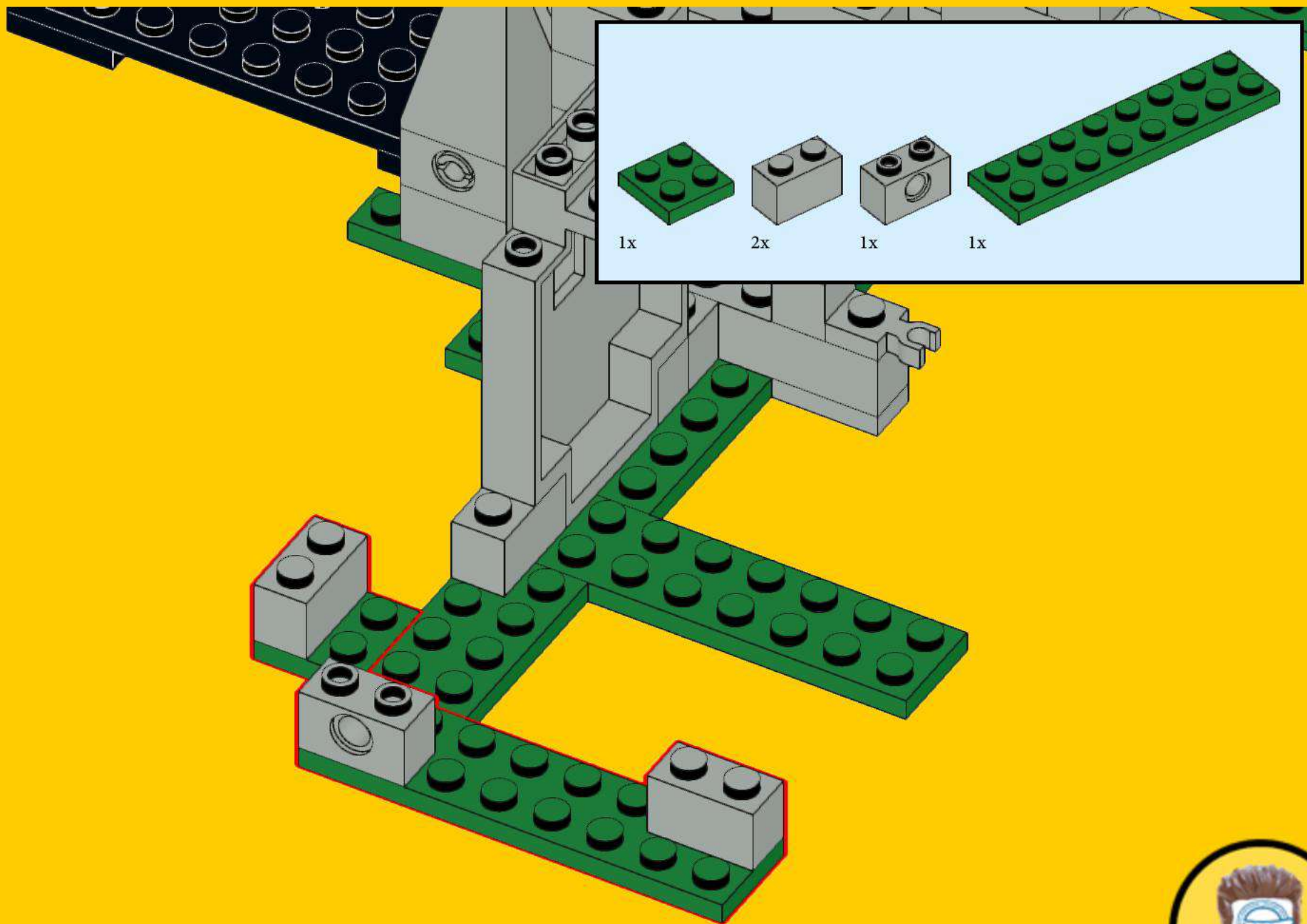
26



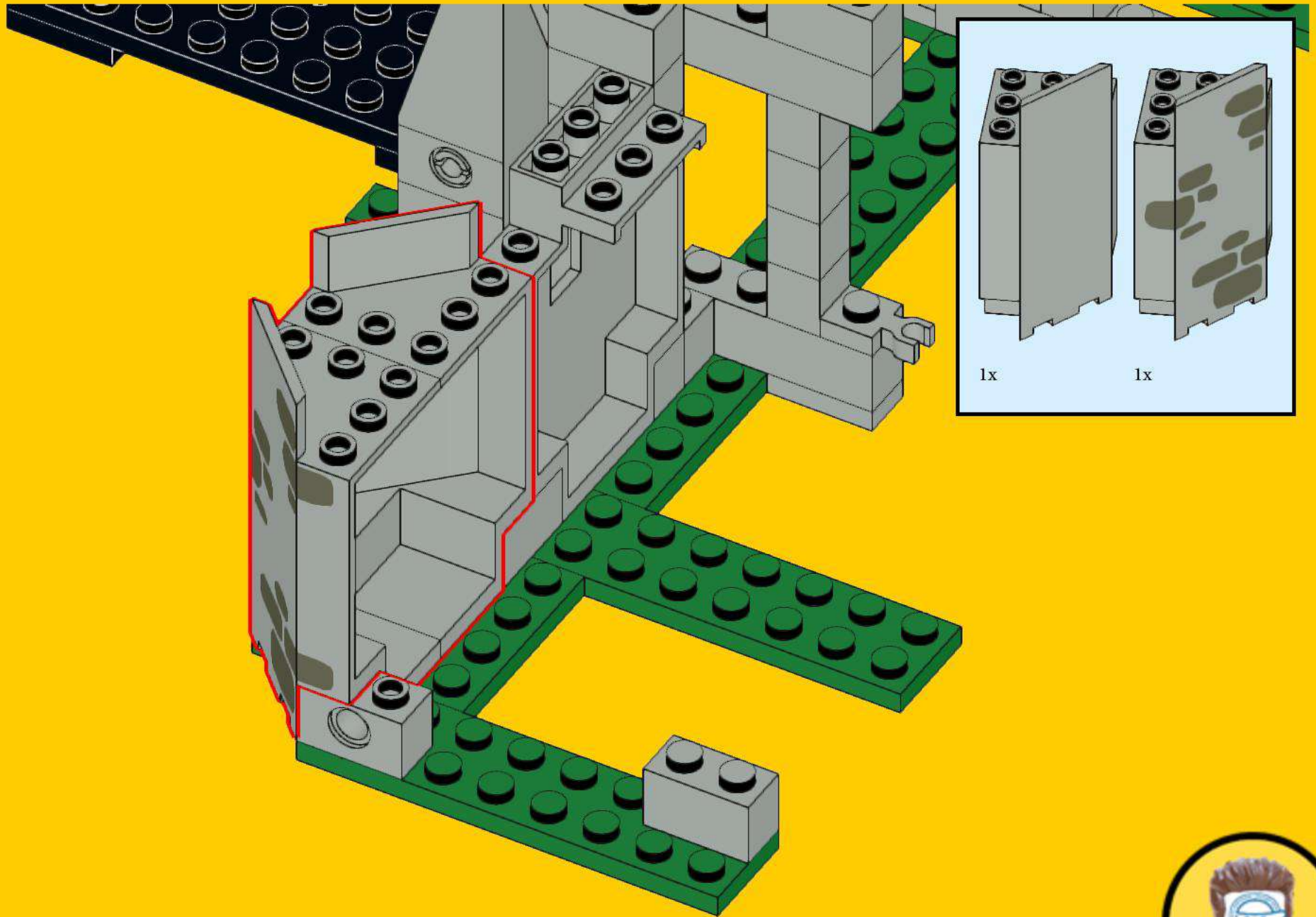
27



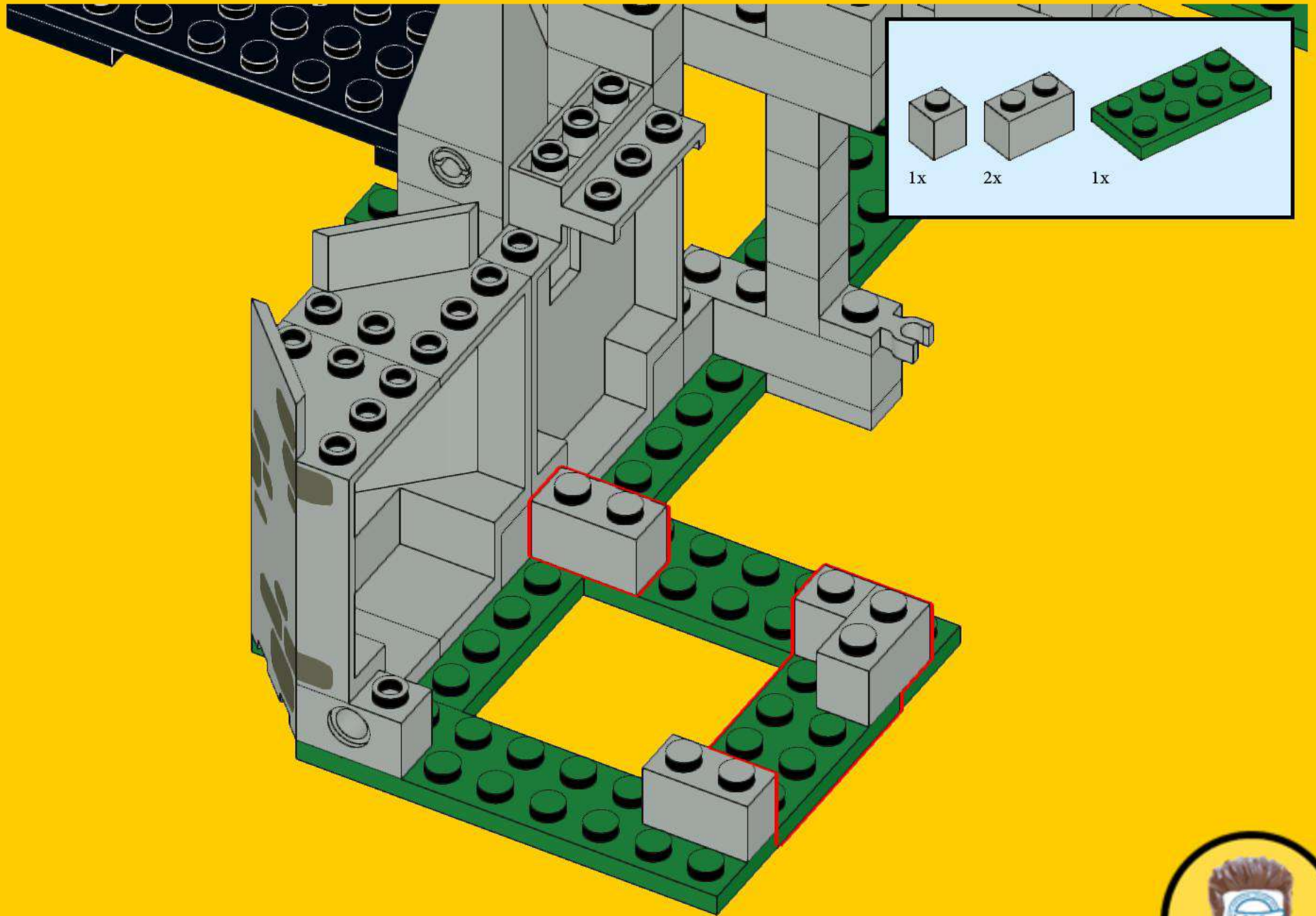
28



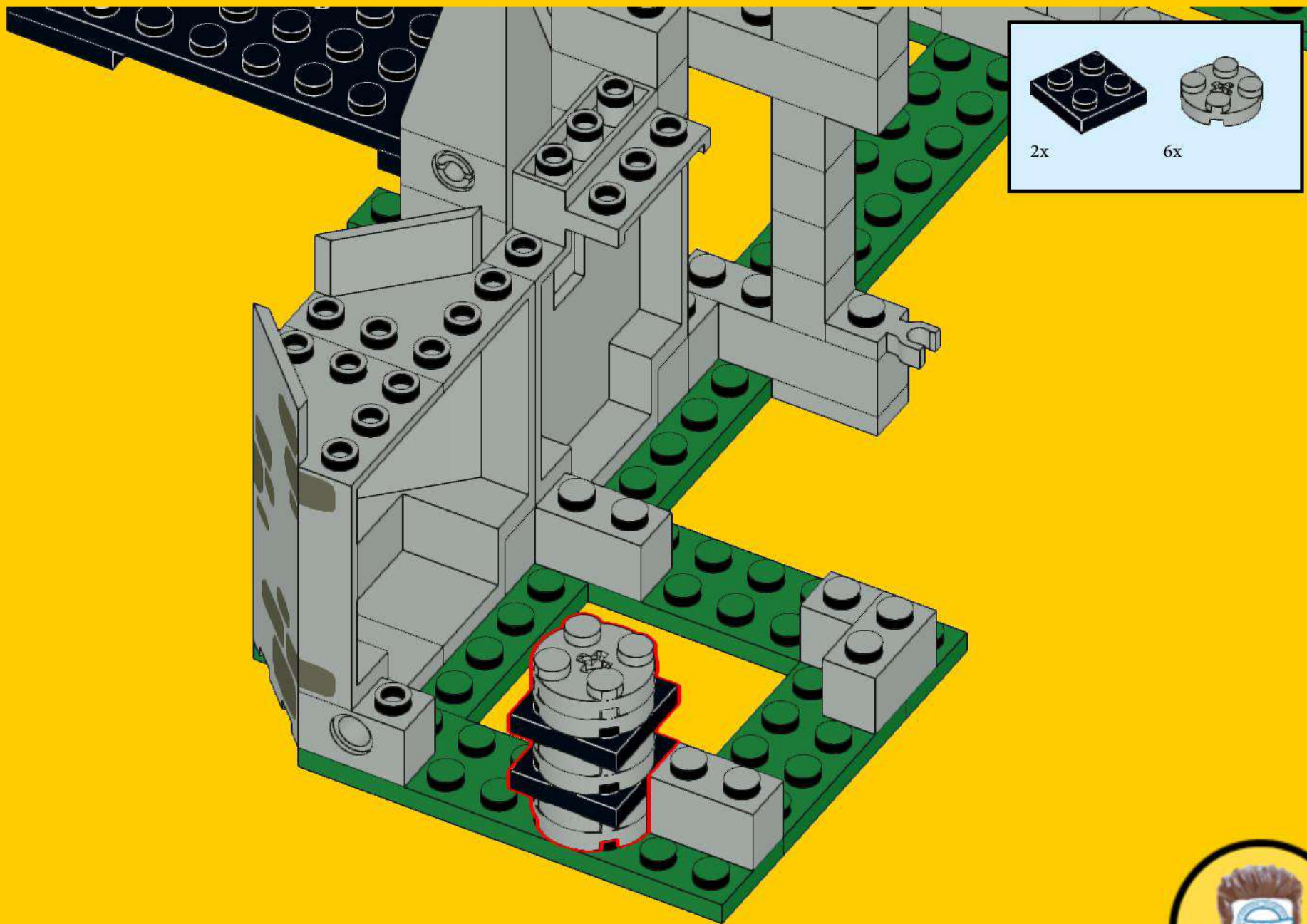
29



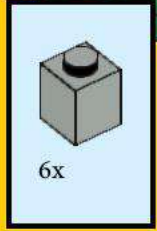
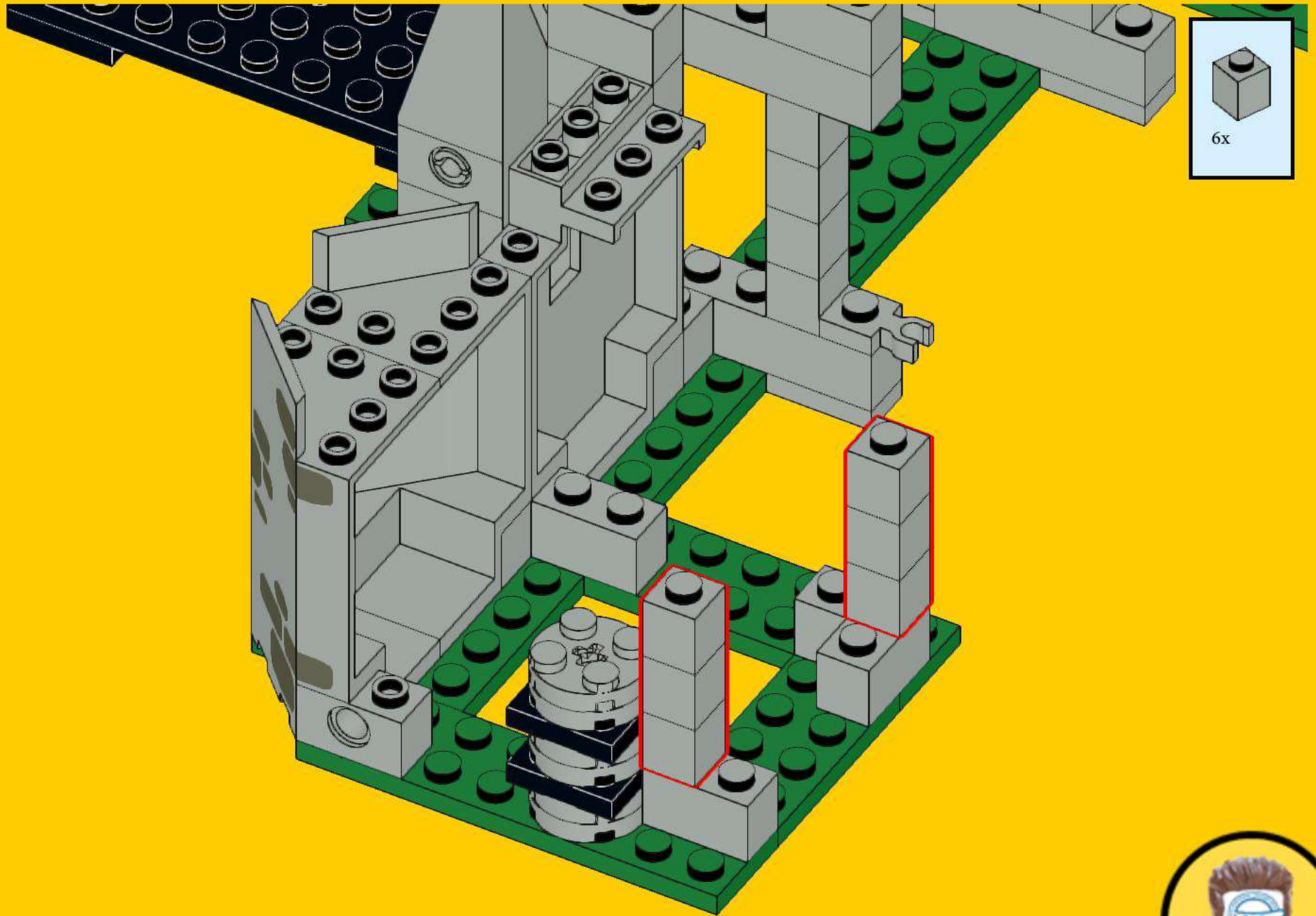
30



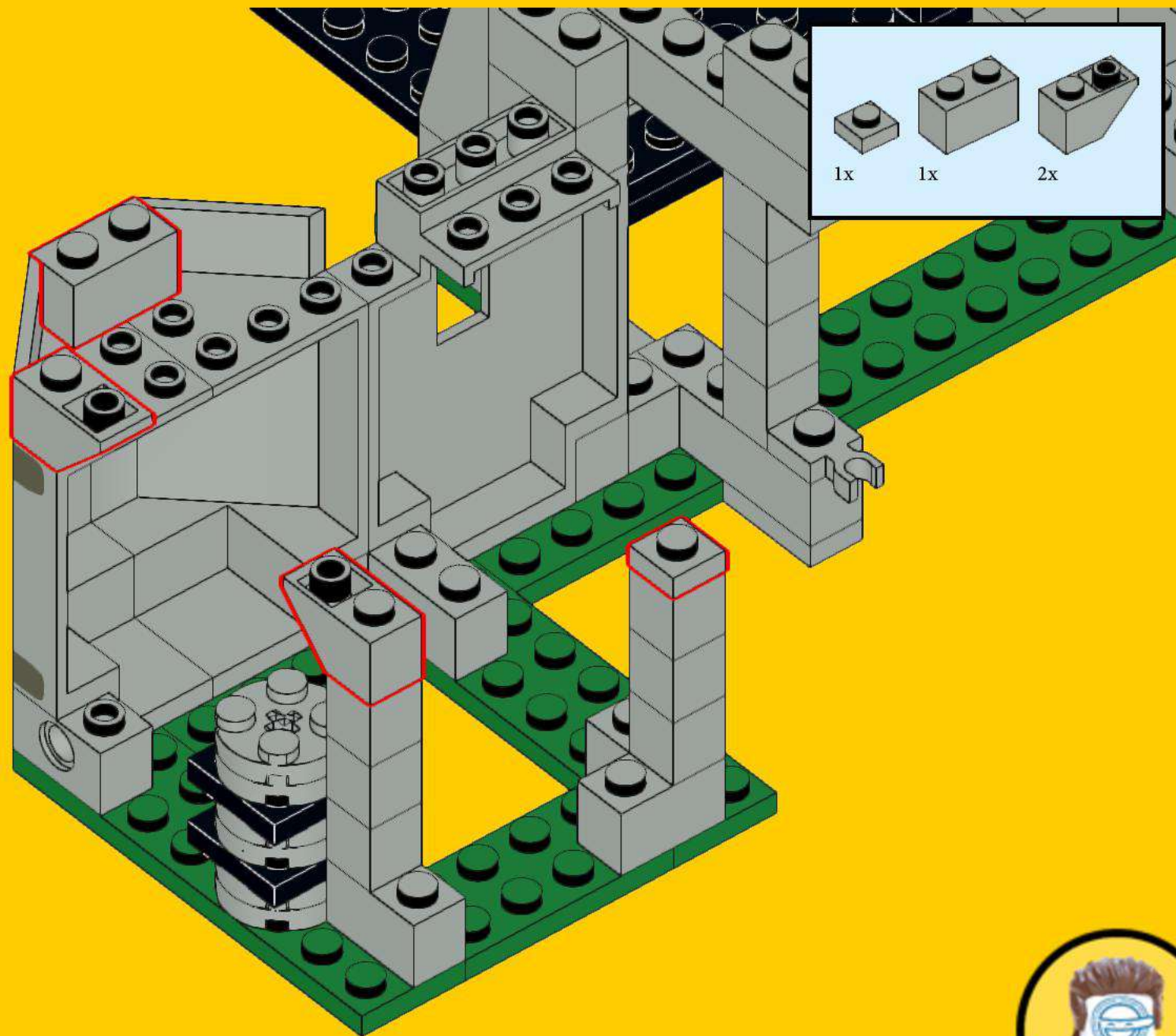
31



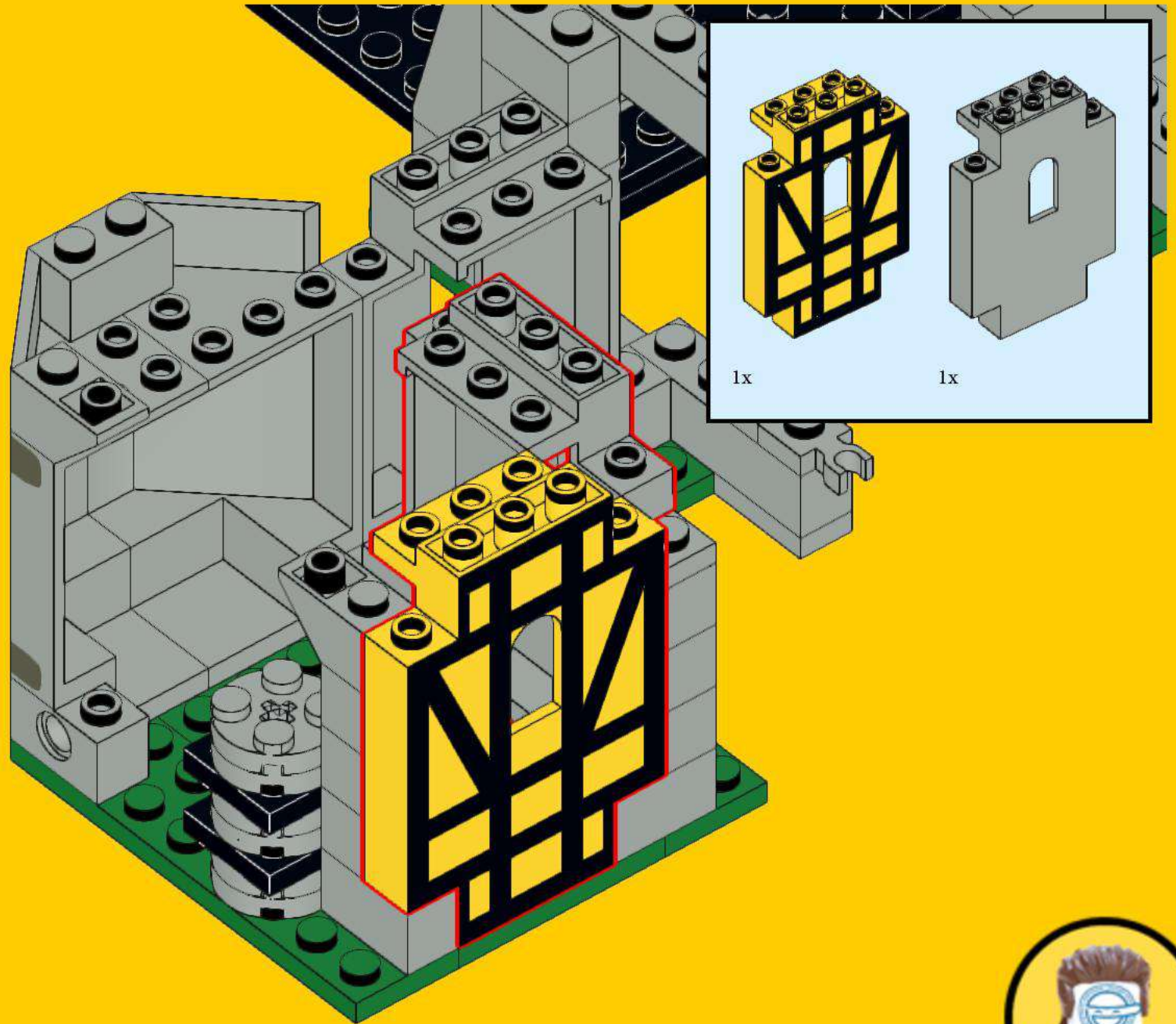
32



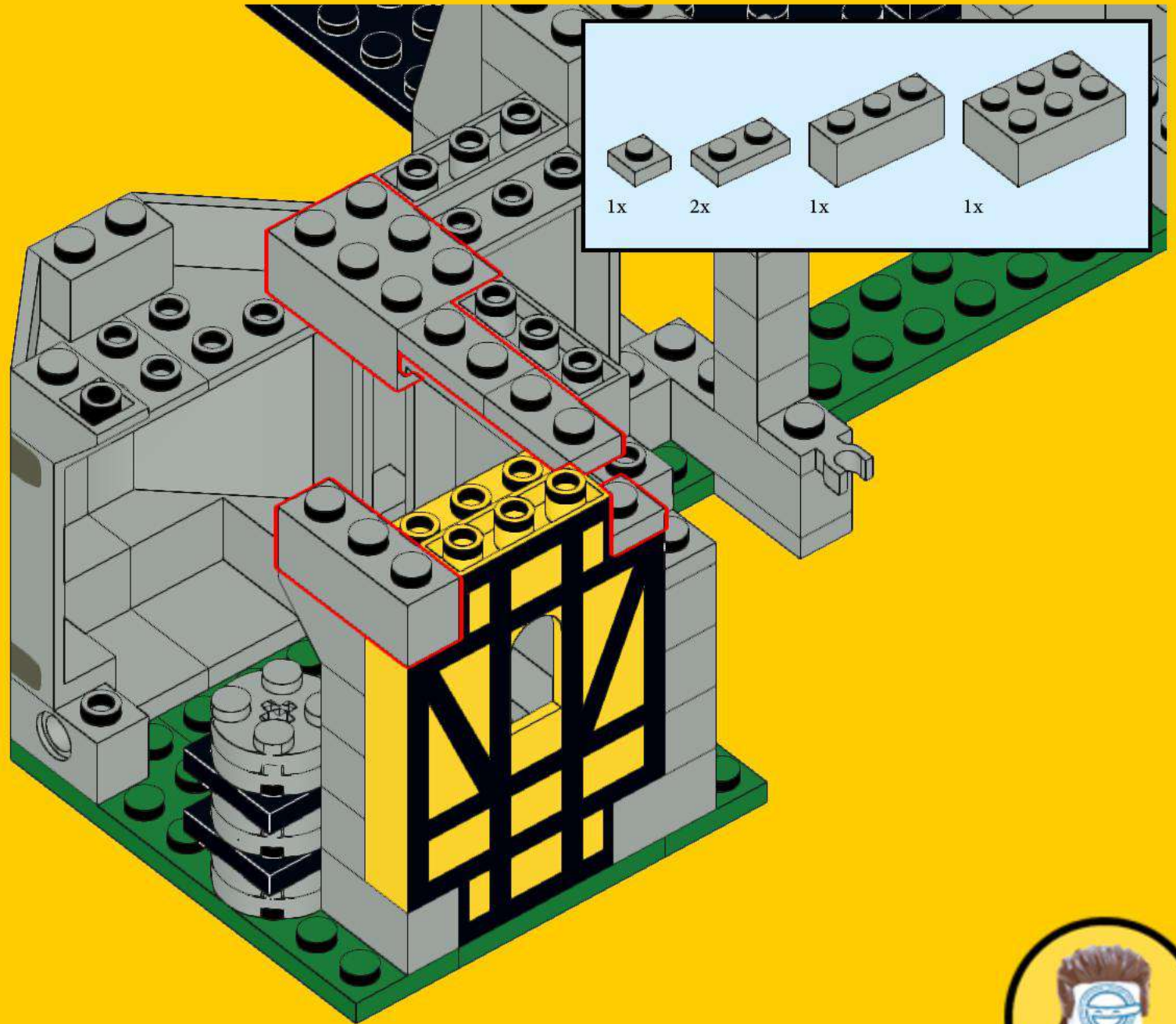
33



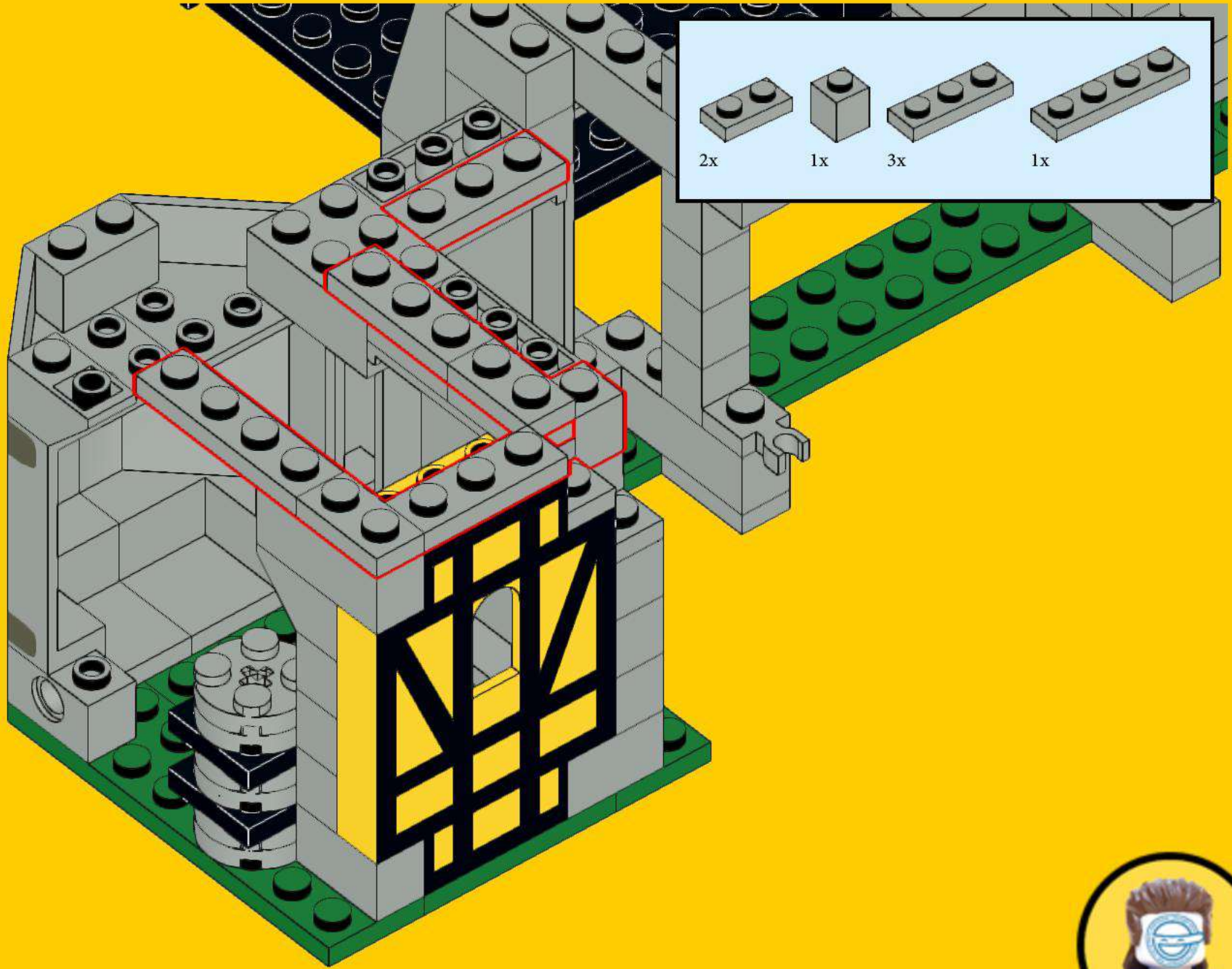
34



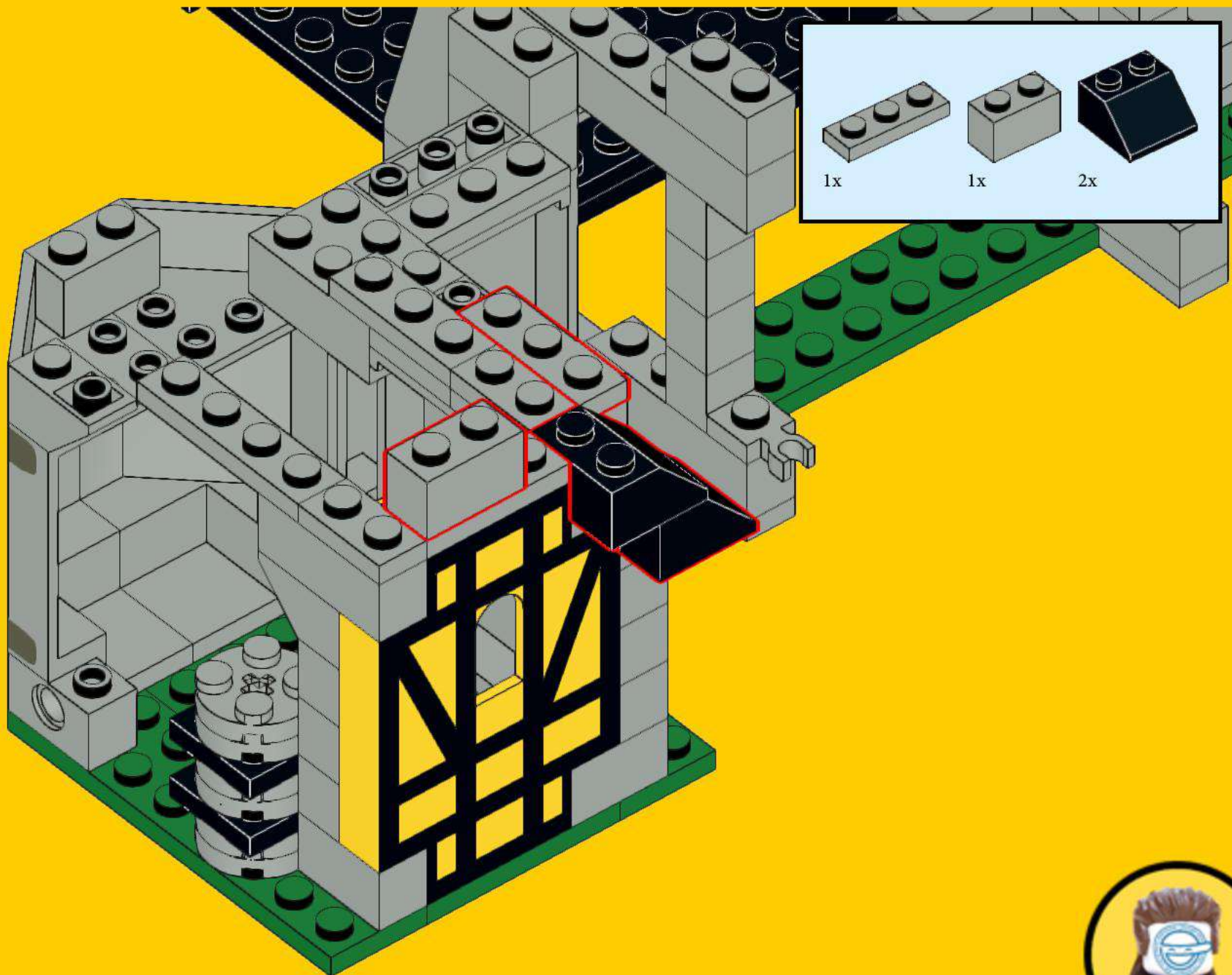
35

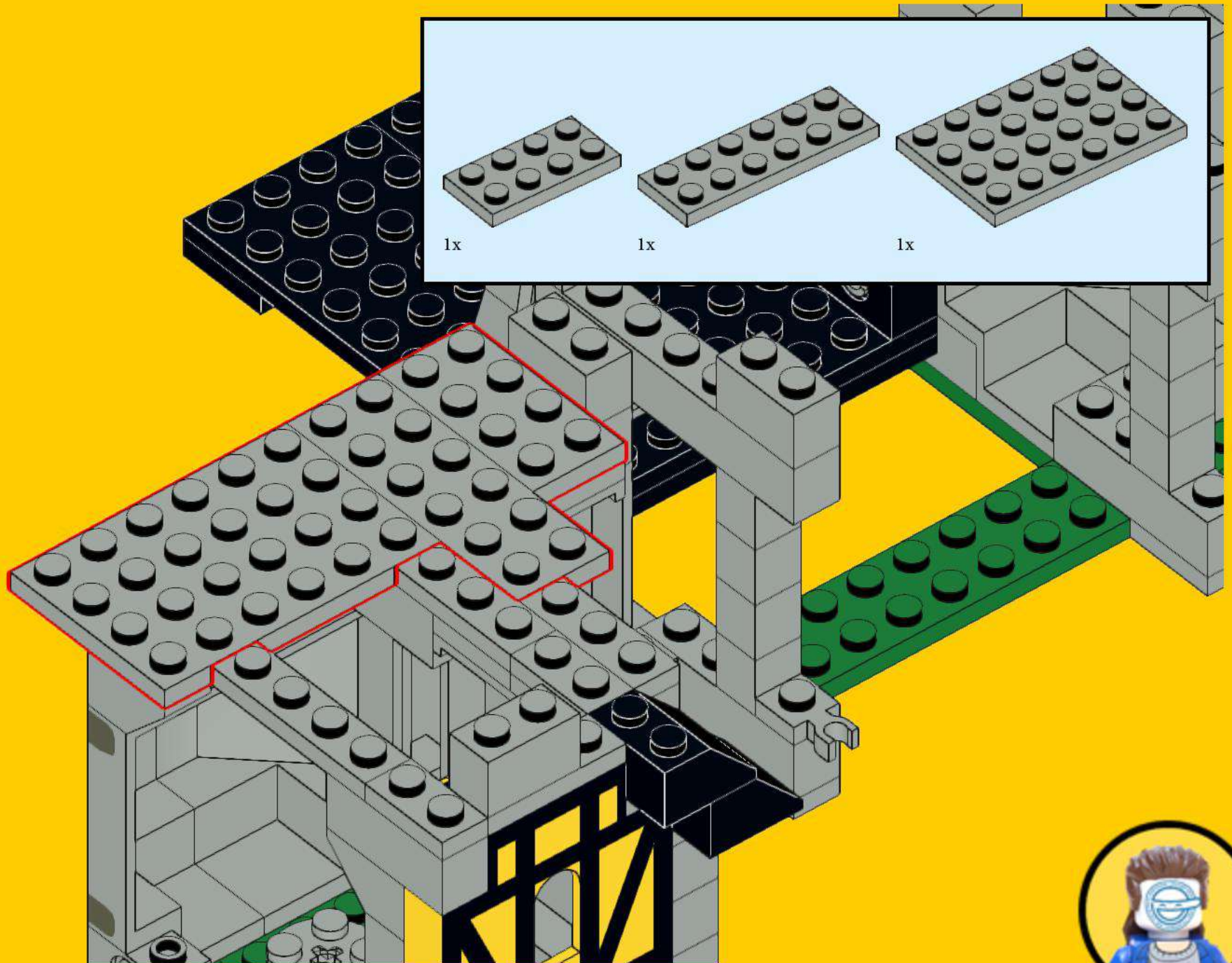


36

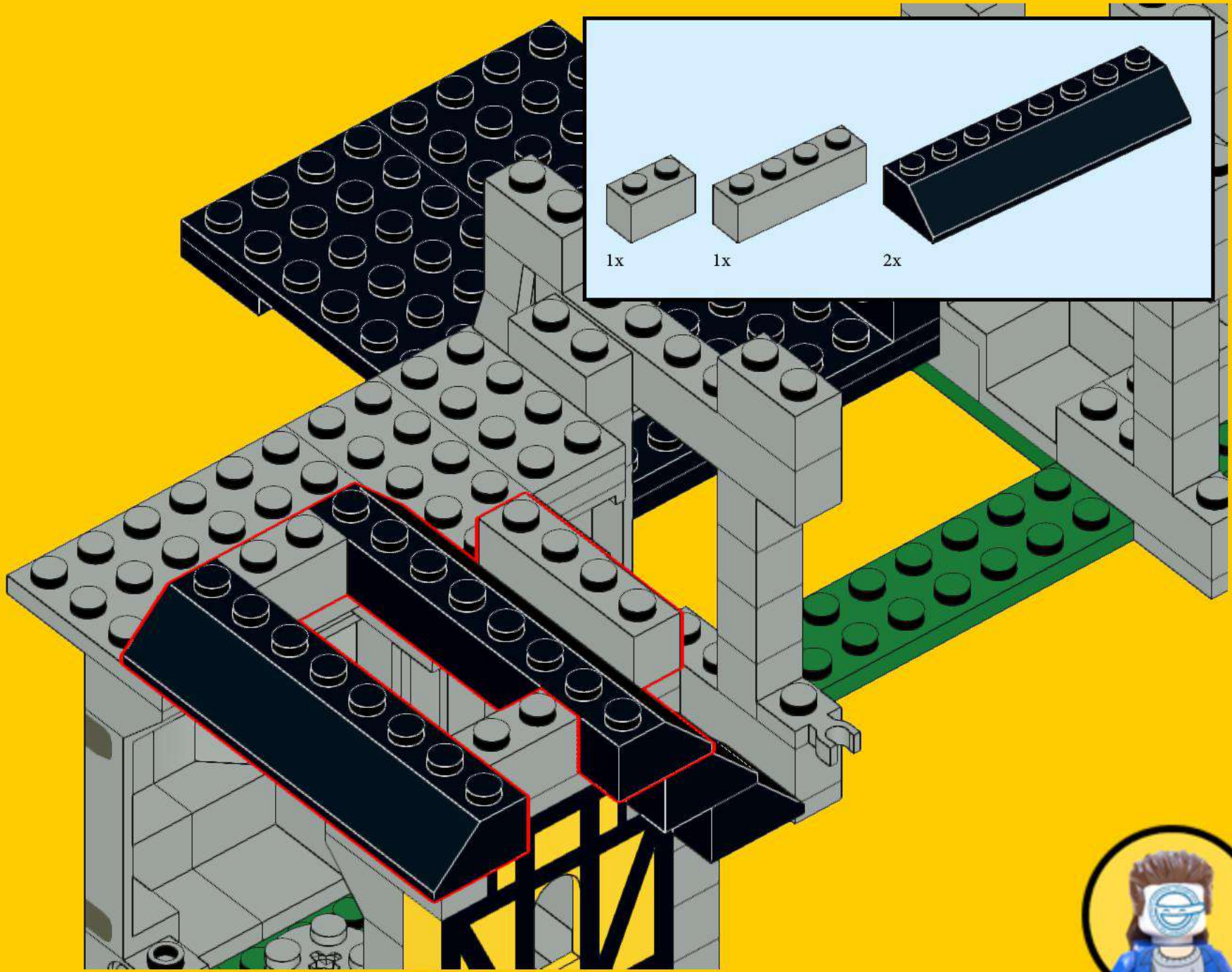


37

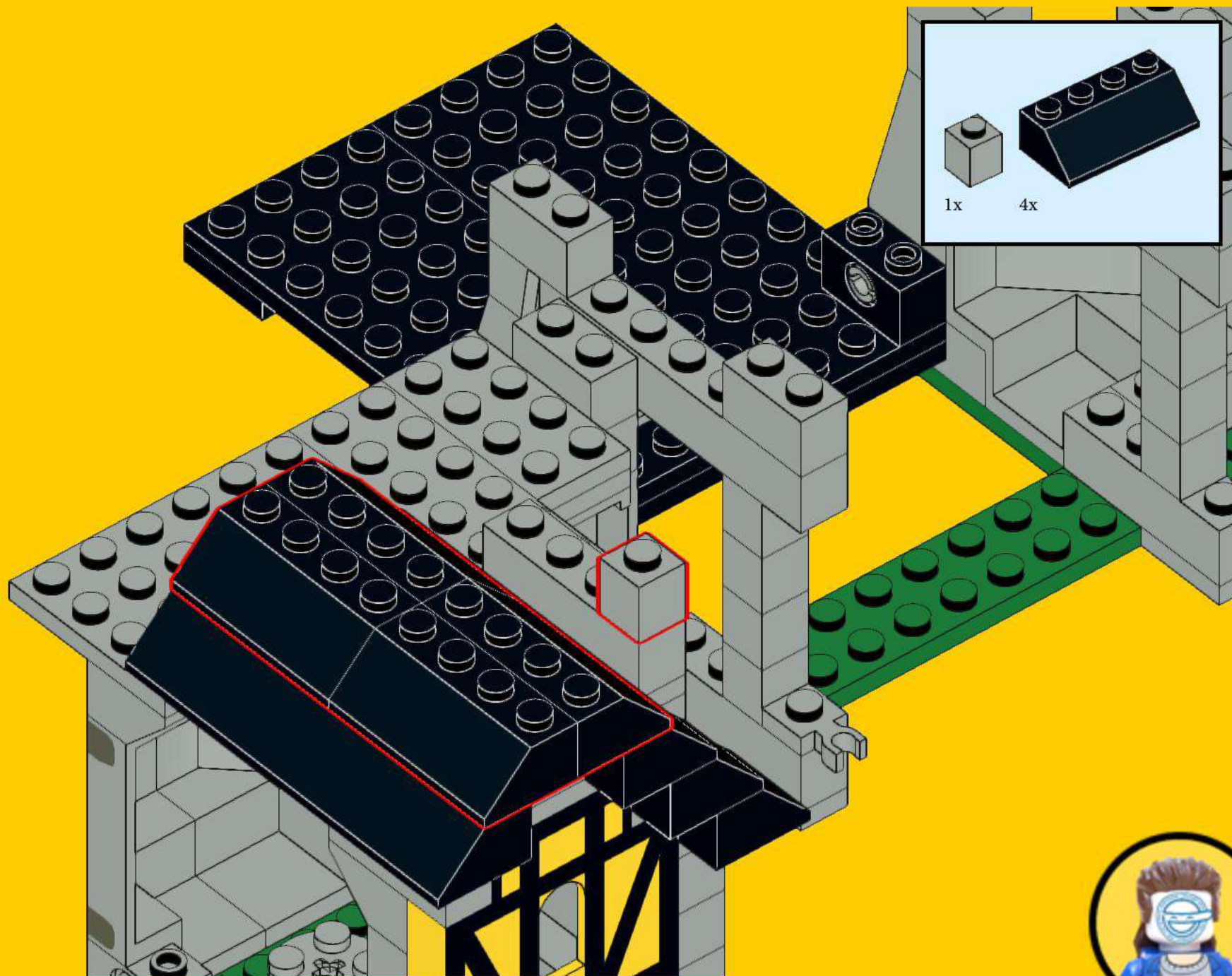




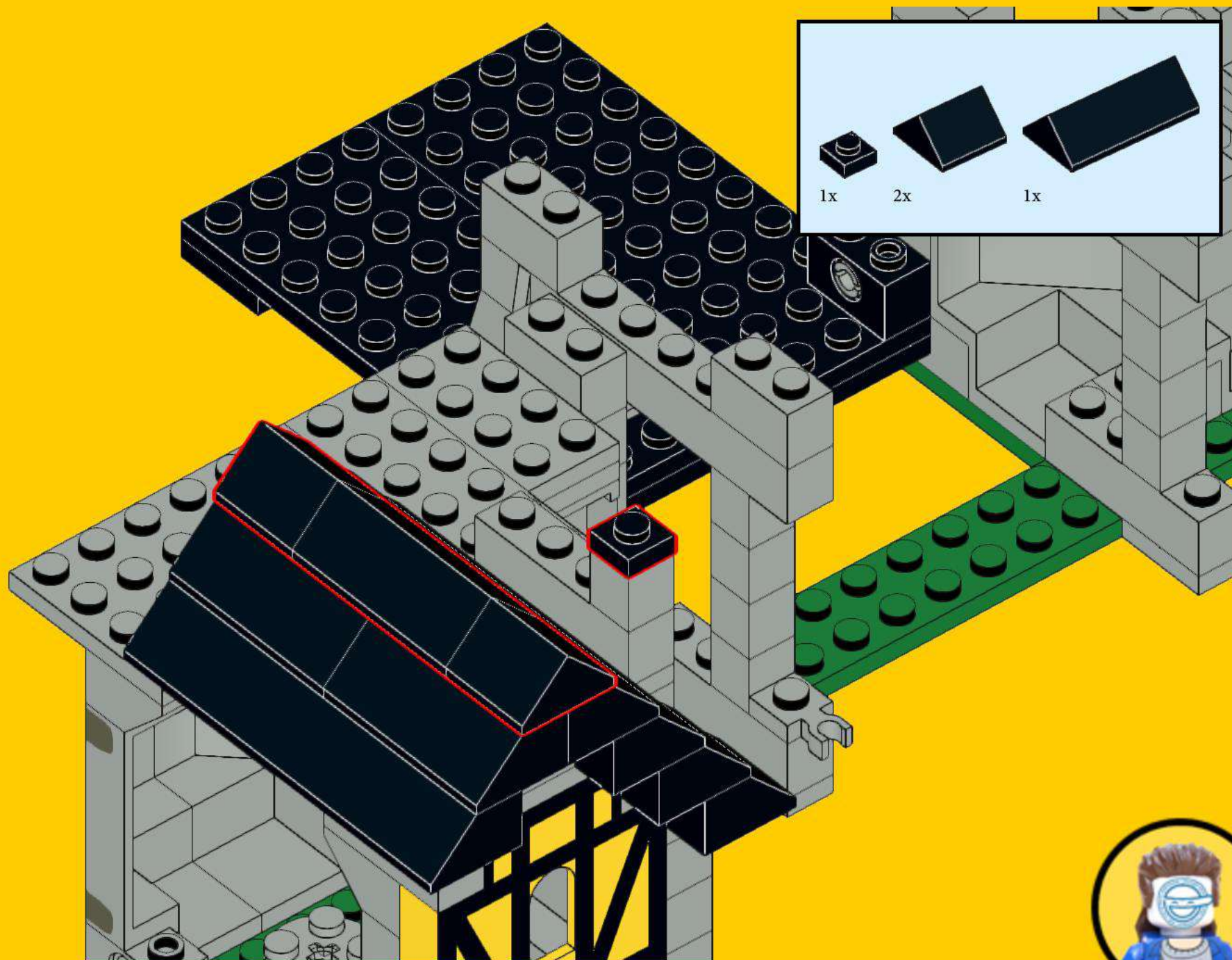
39



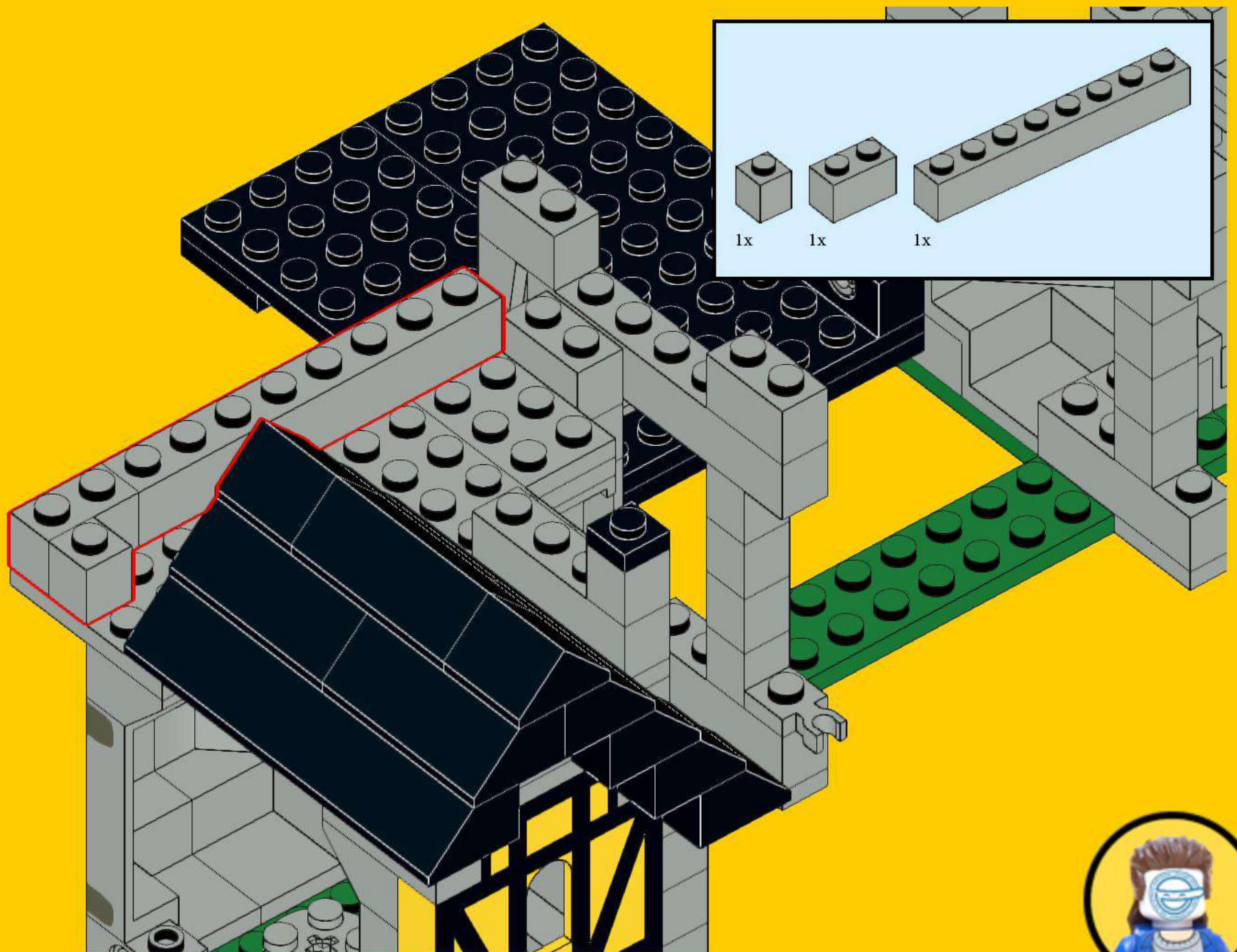
40



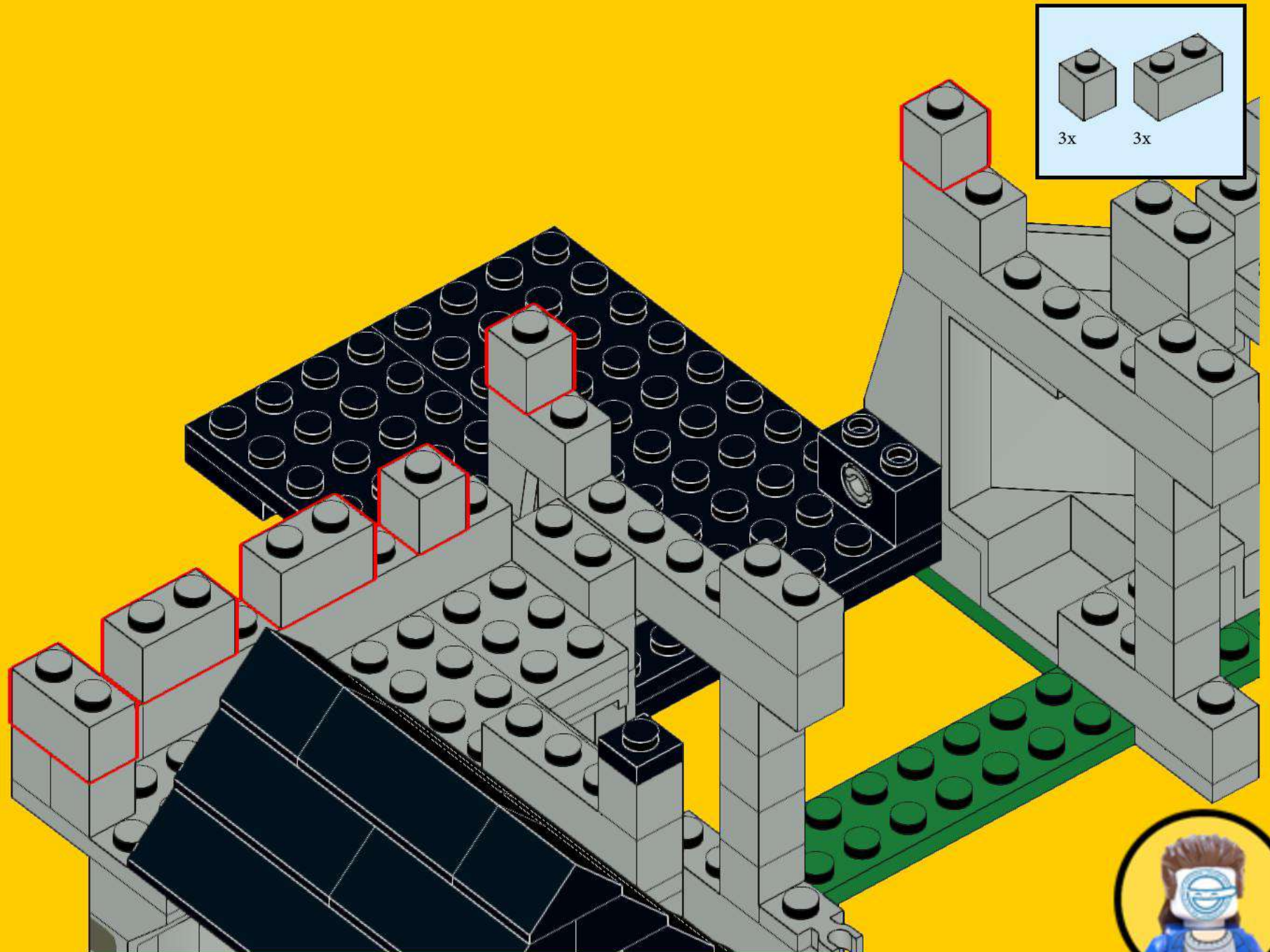
41



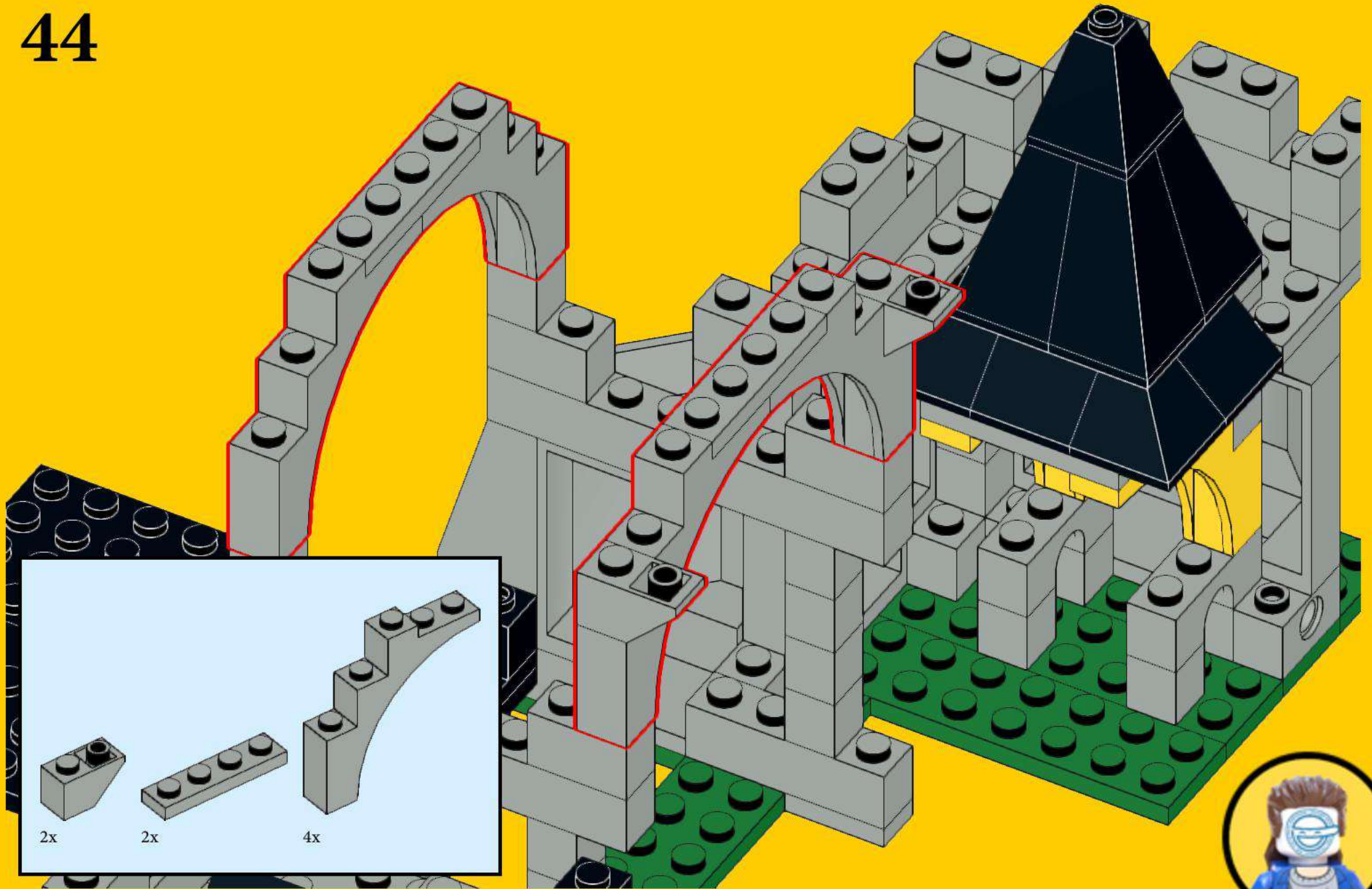
42



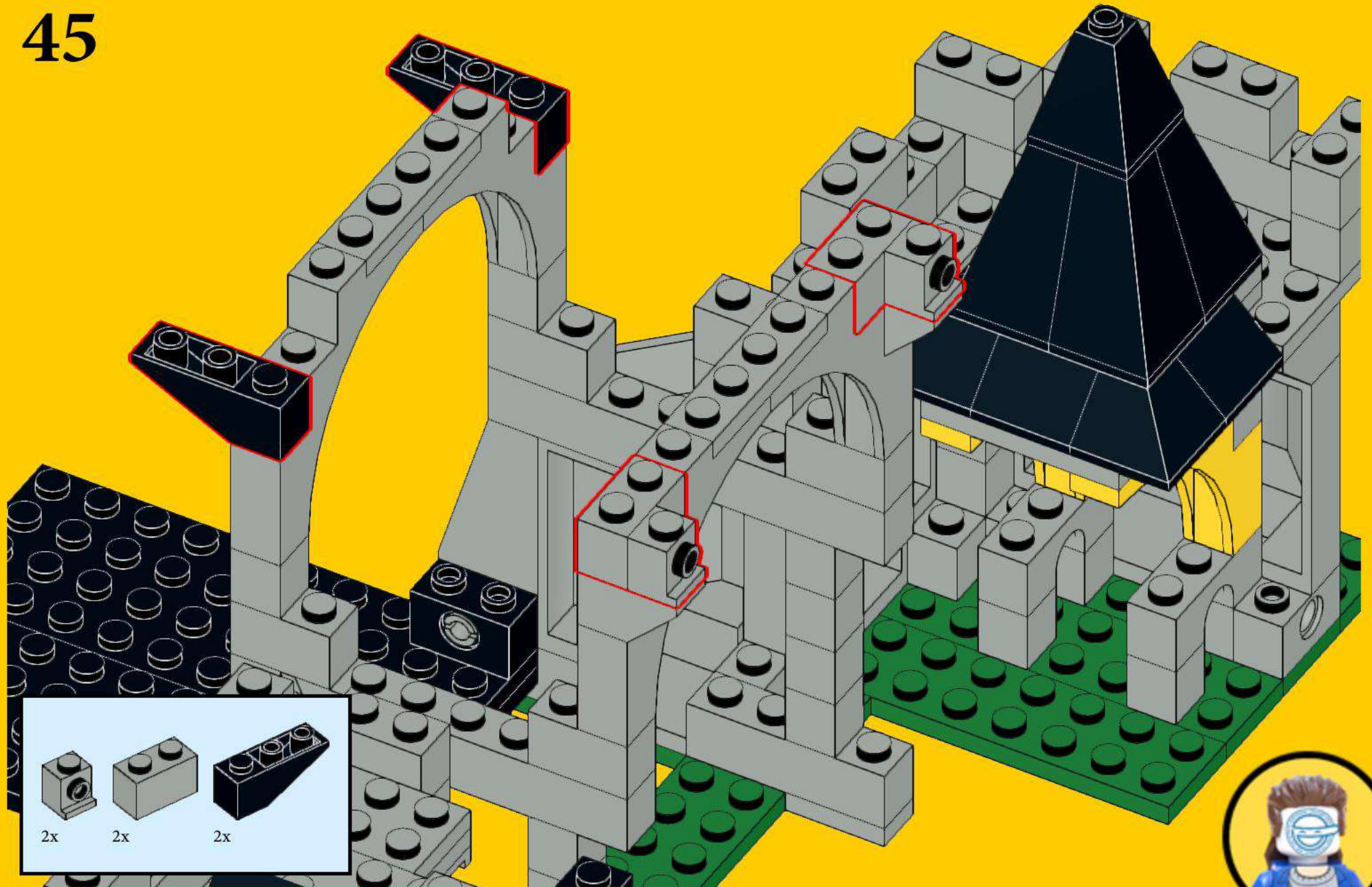
43



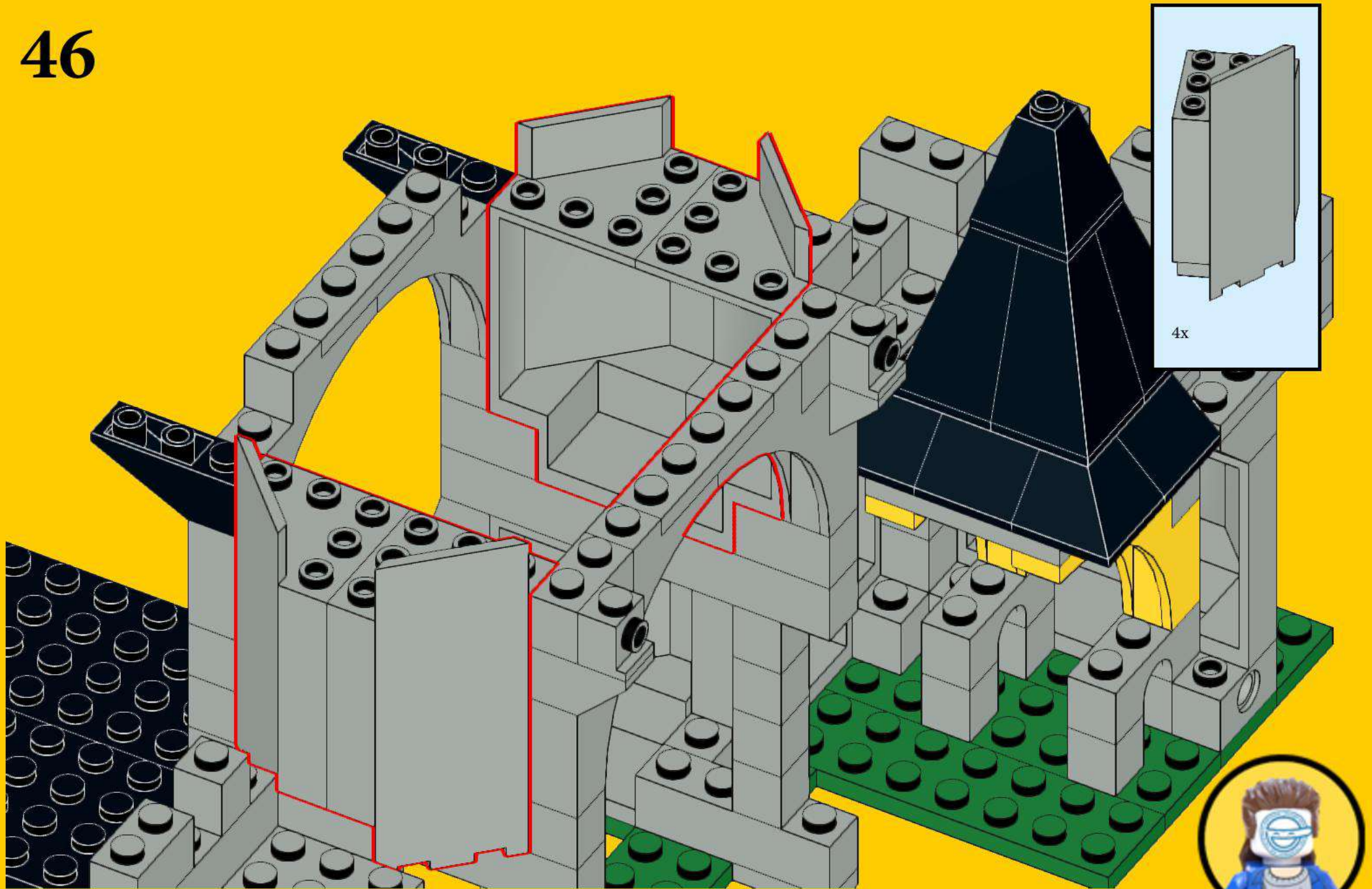
44



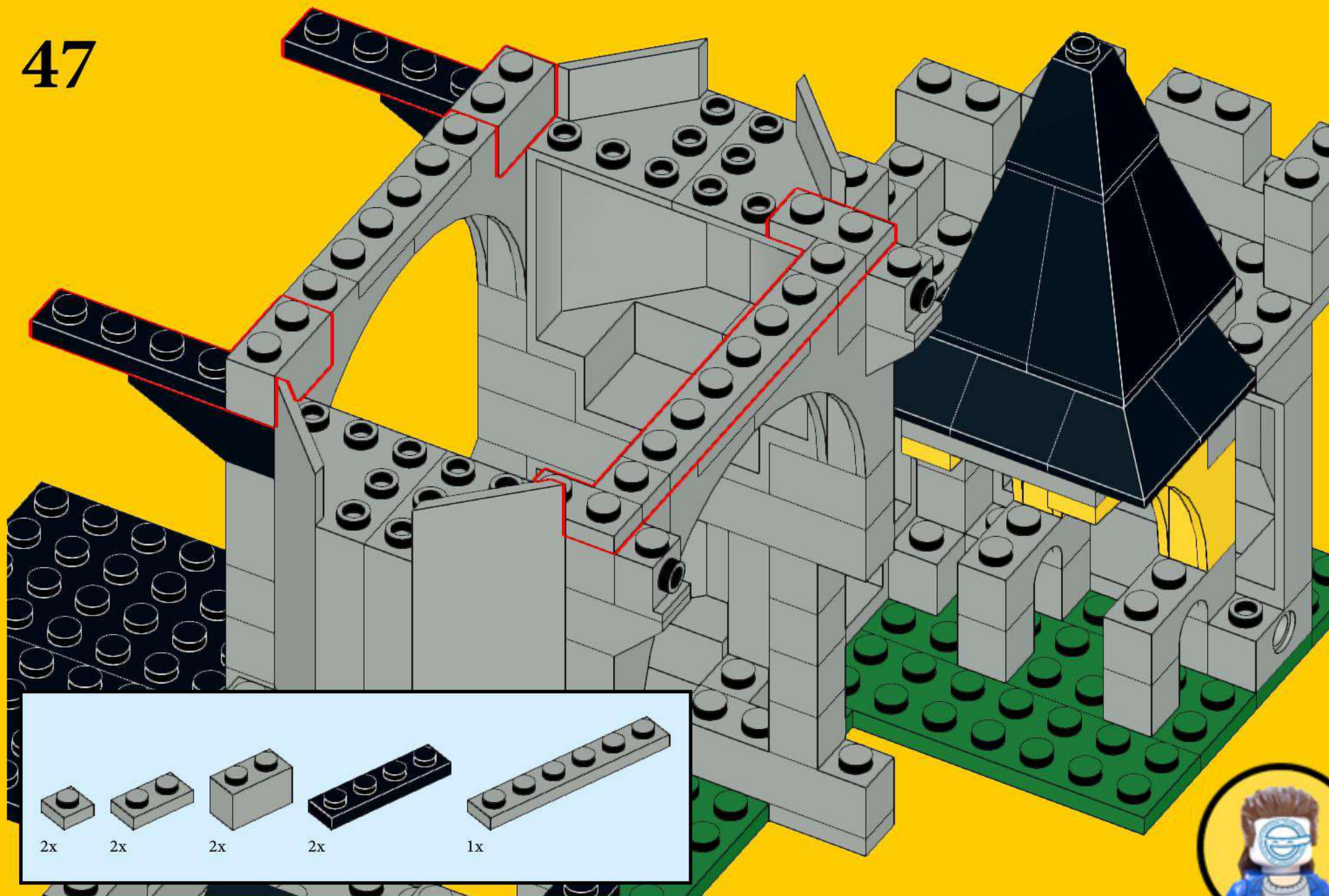
45



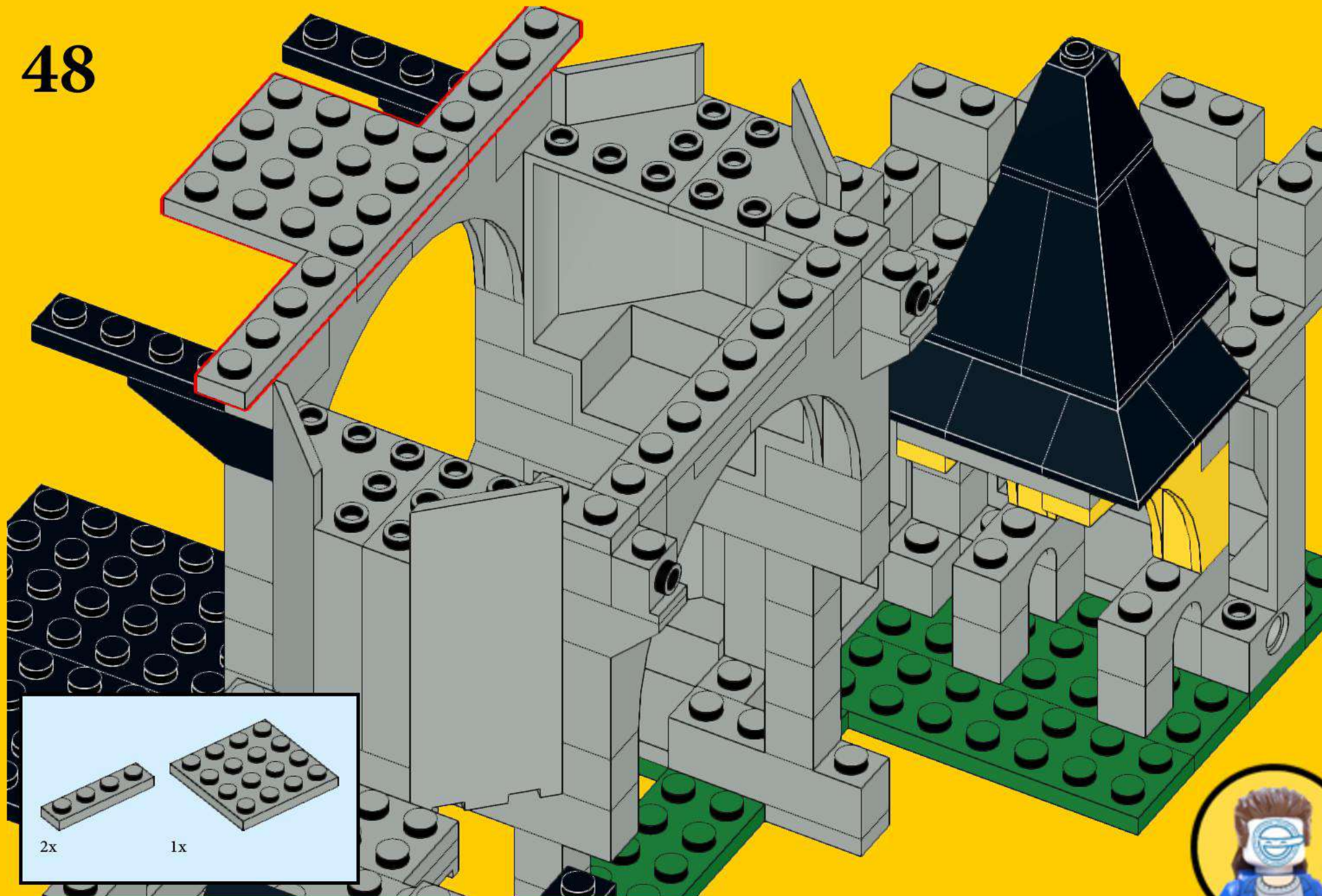
46



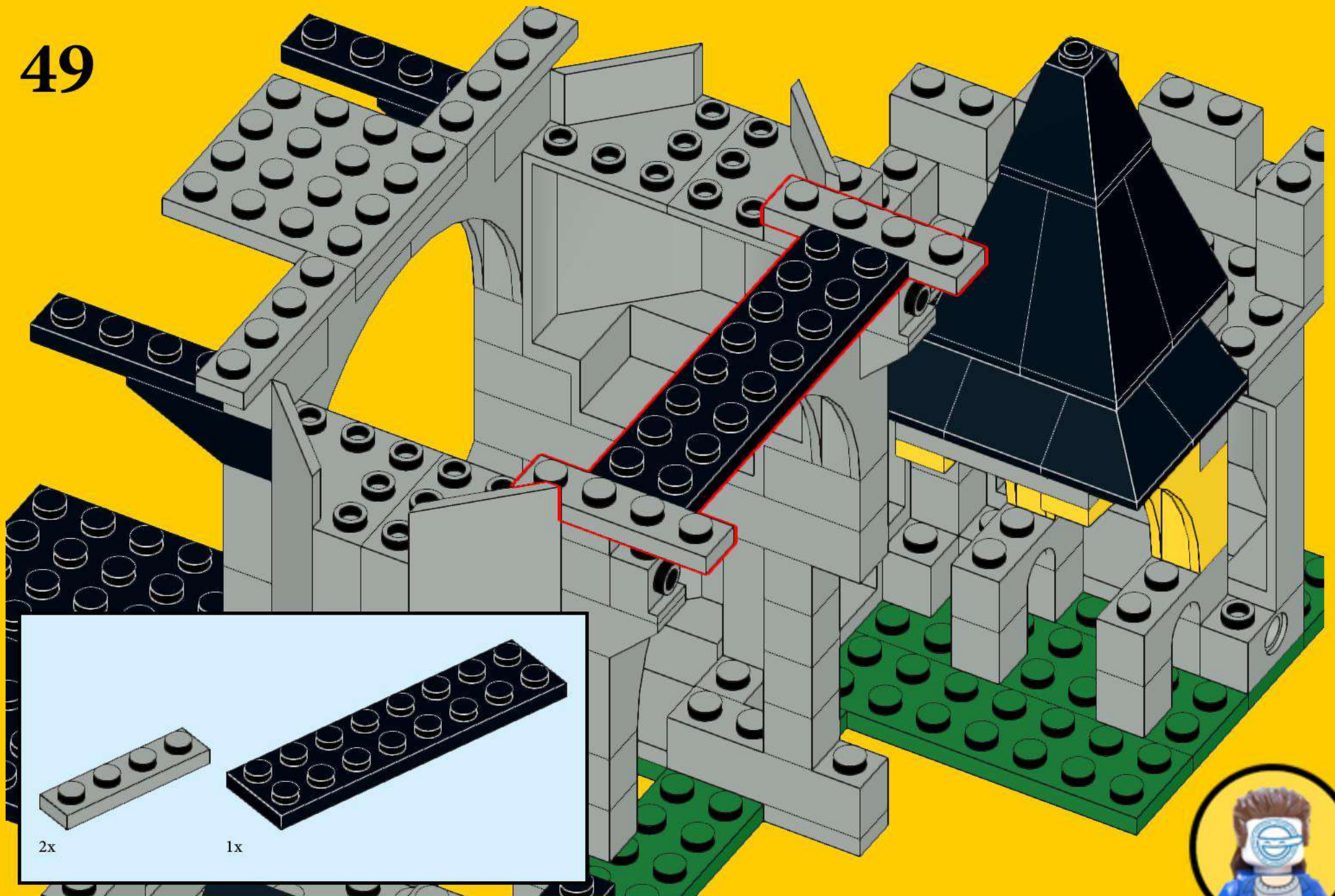
47



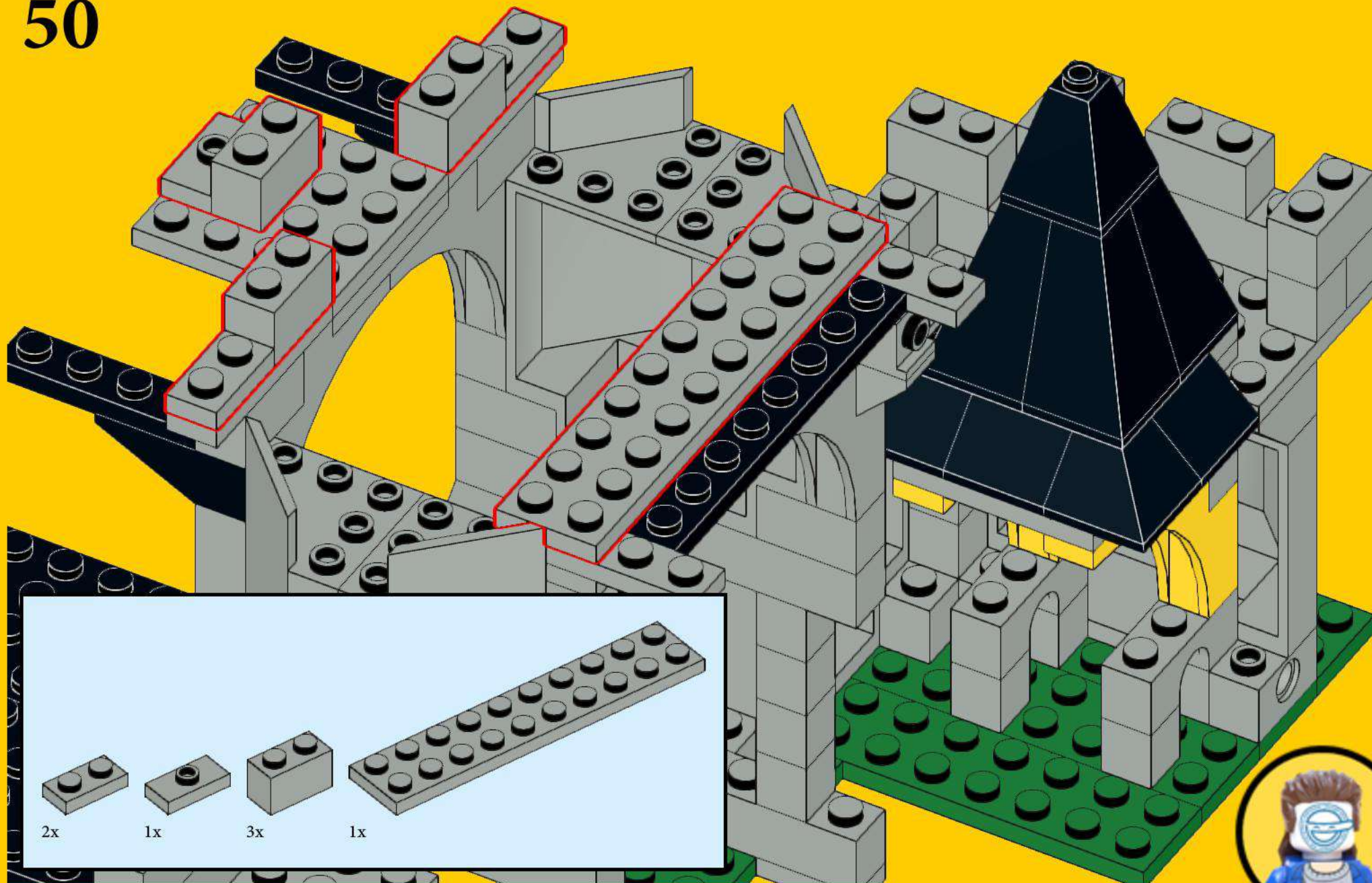
48



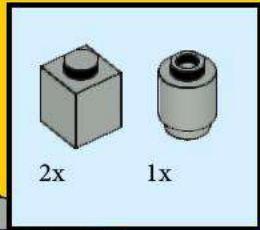
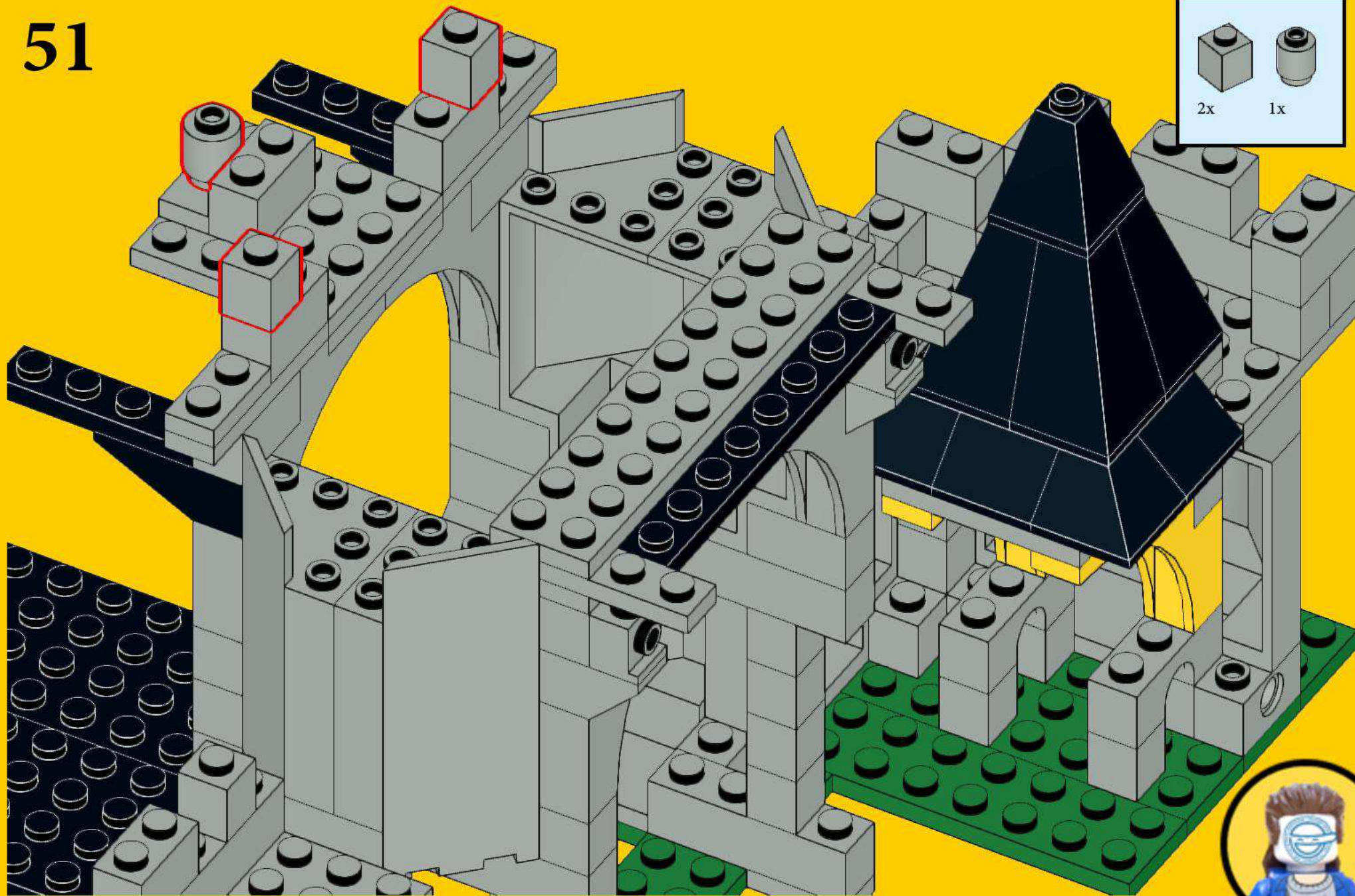
49



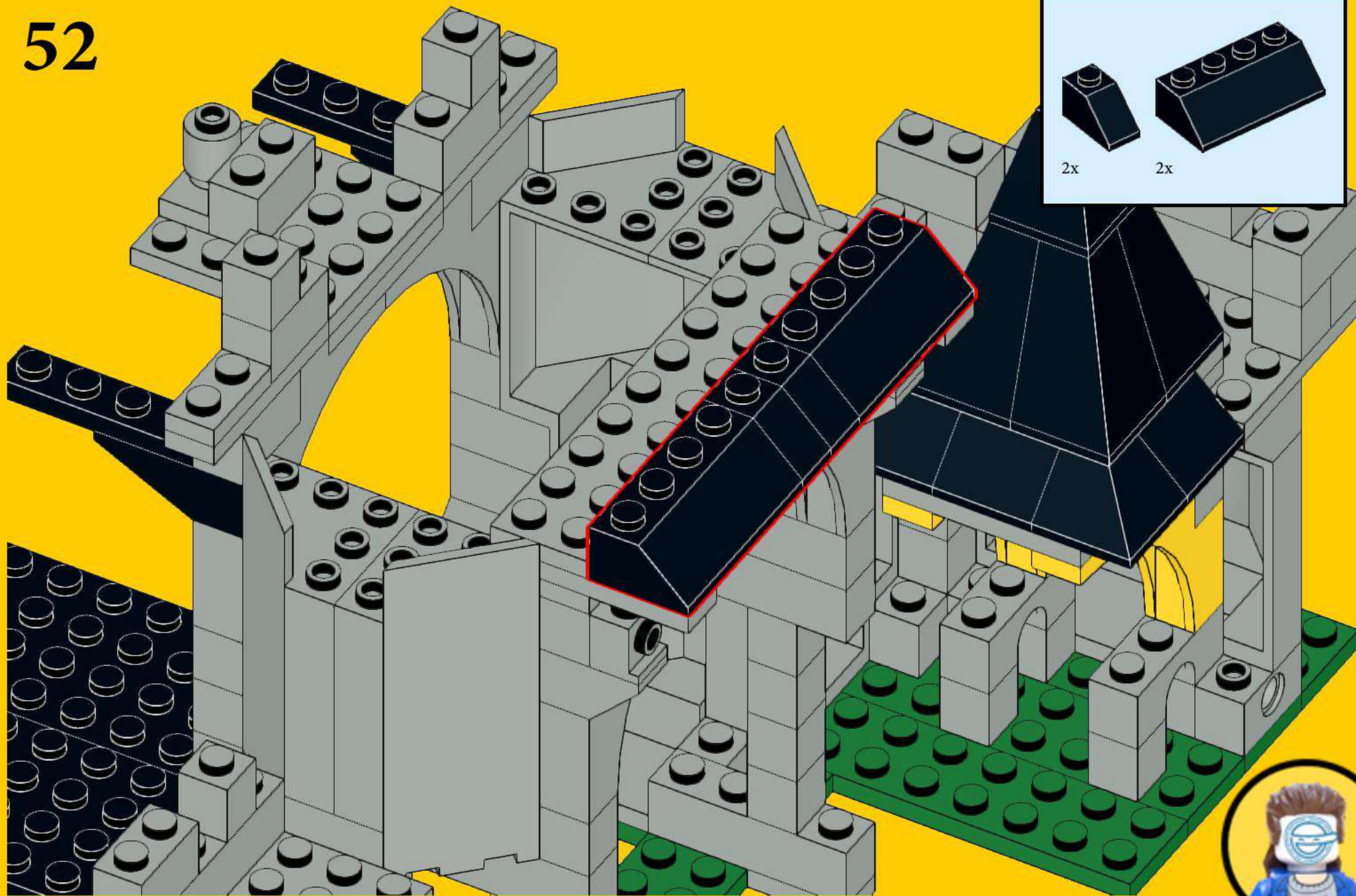
50



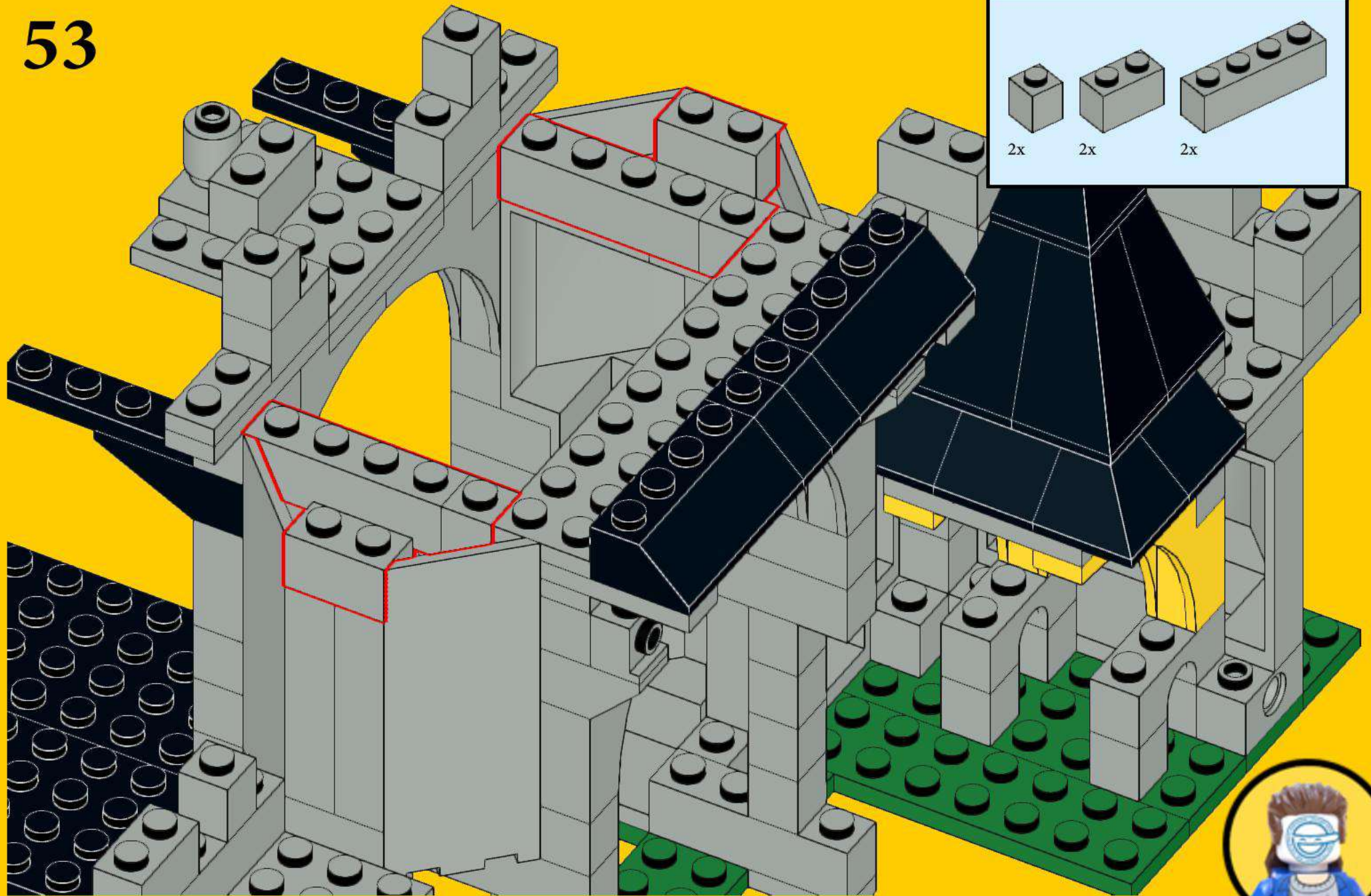
51



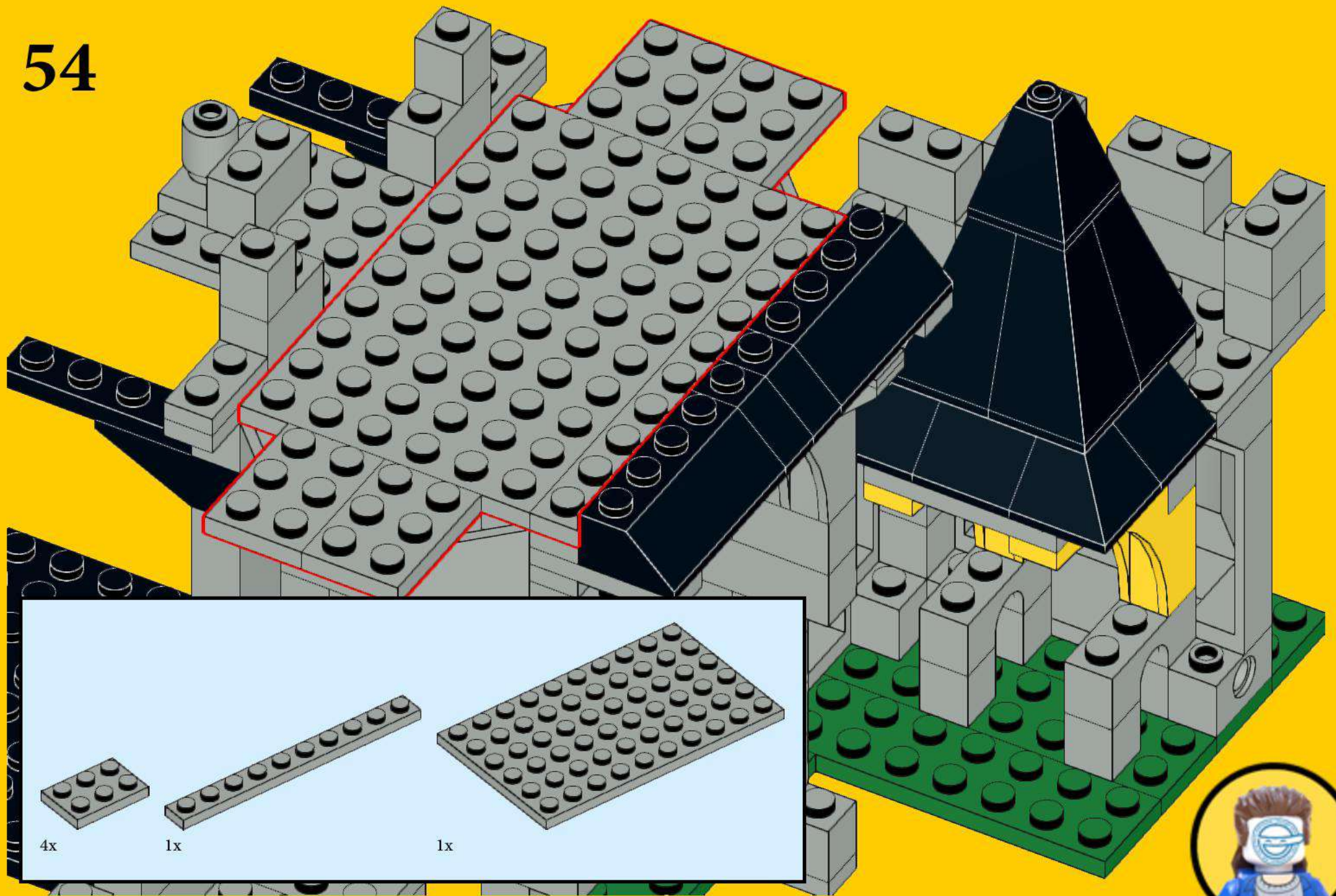
52



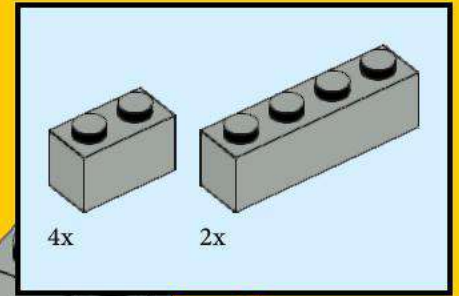
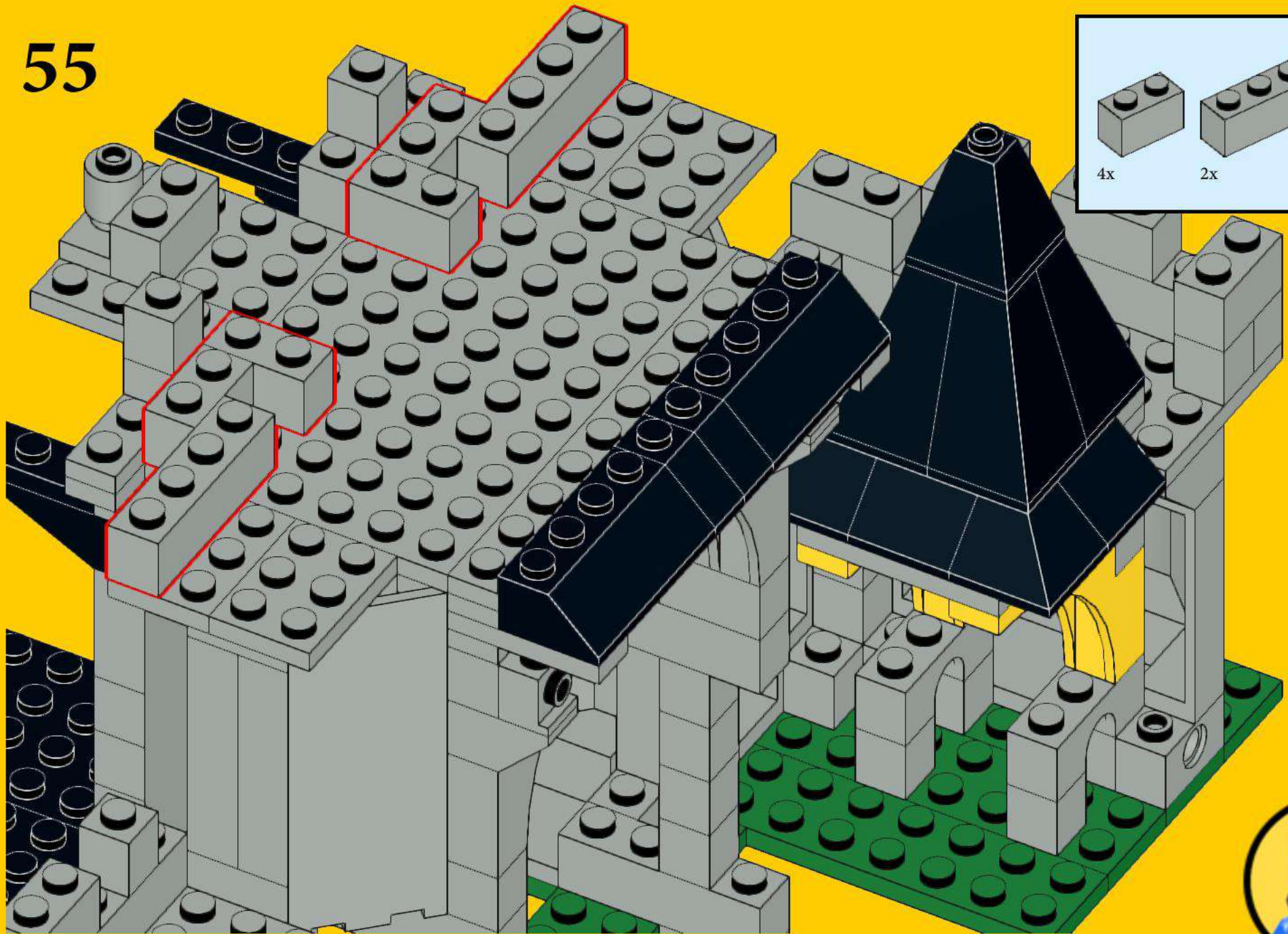
53



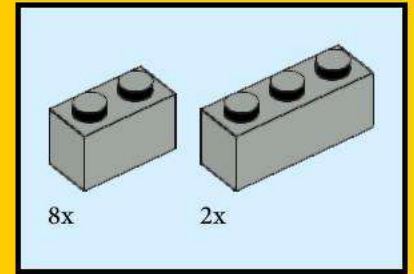
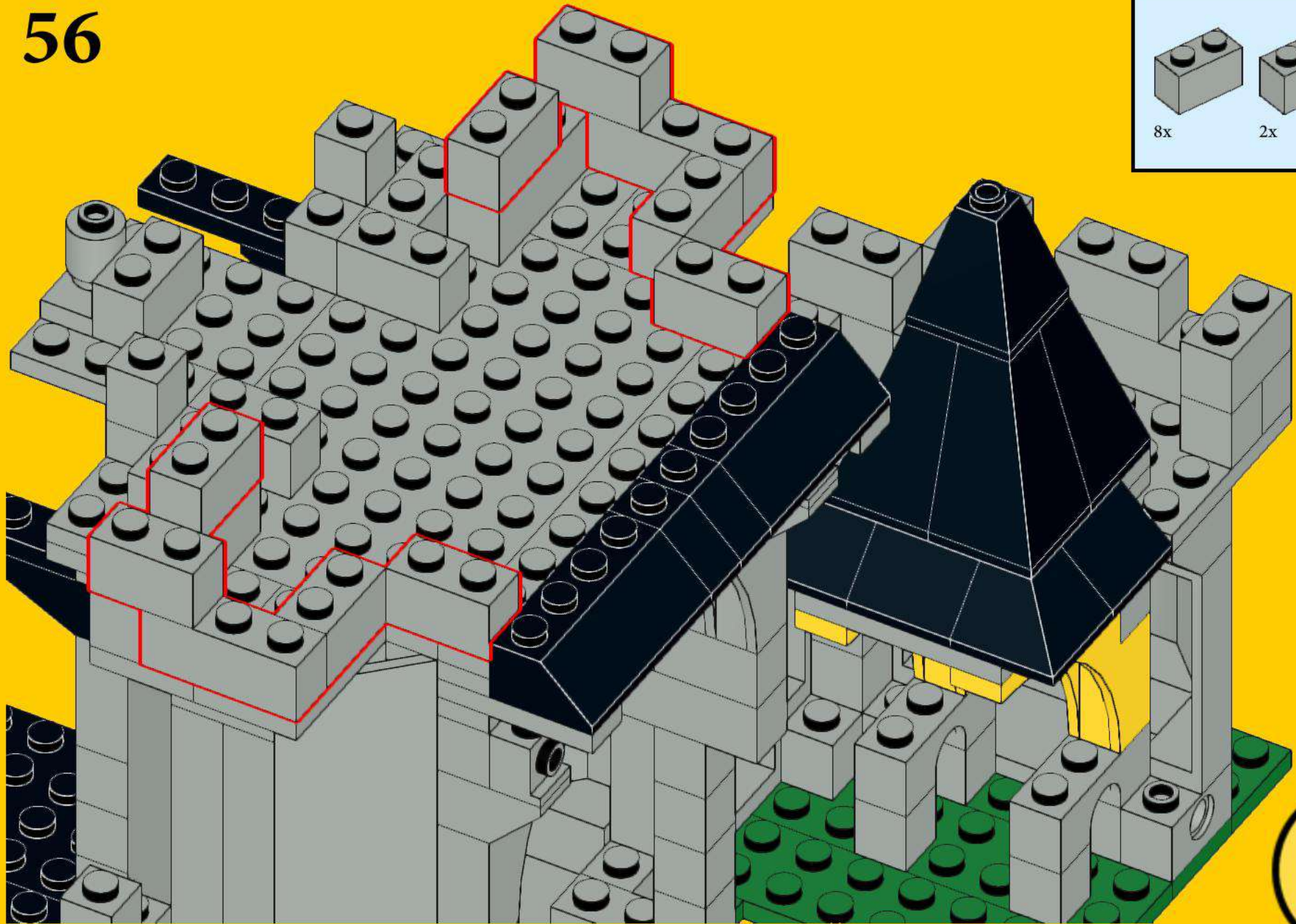
54



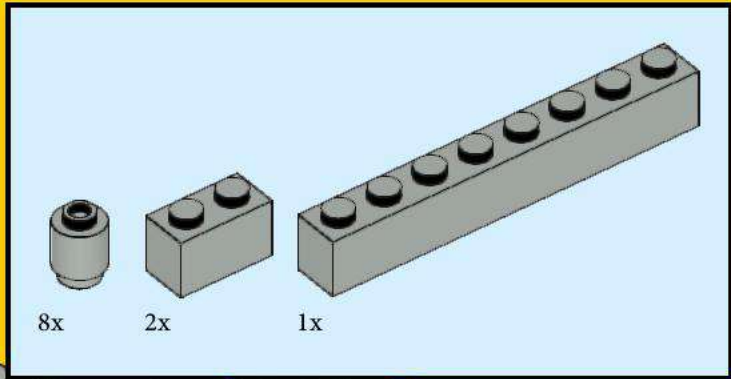
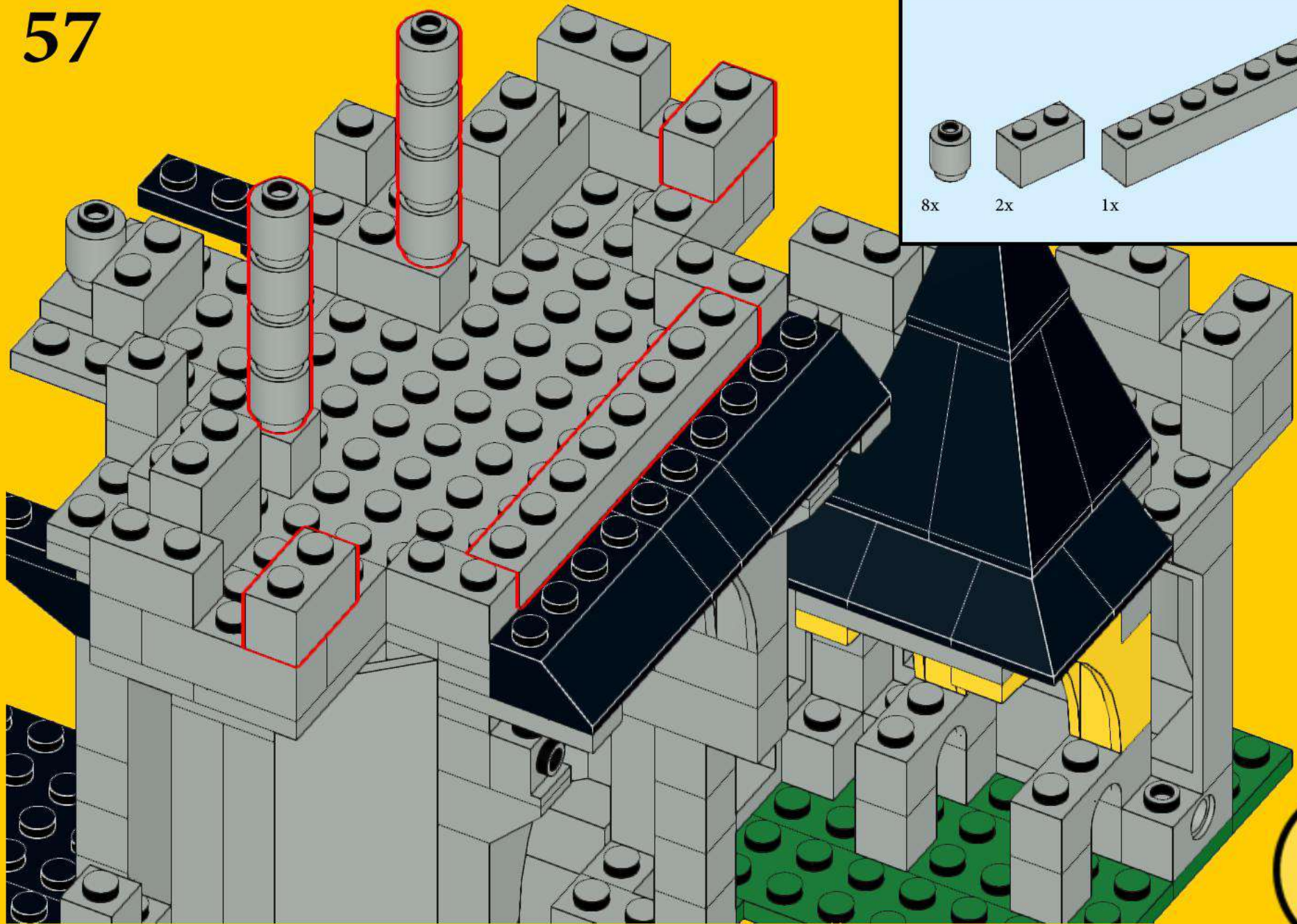
55



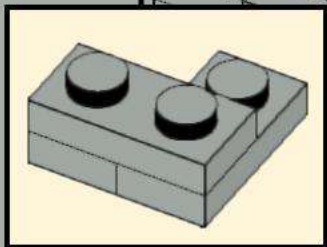
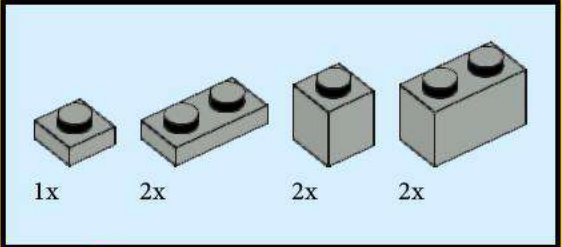
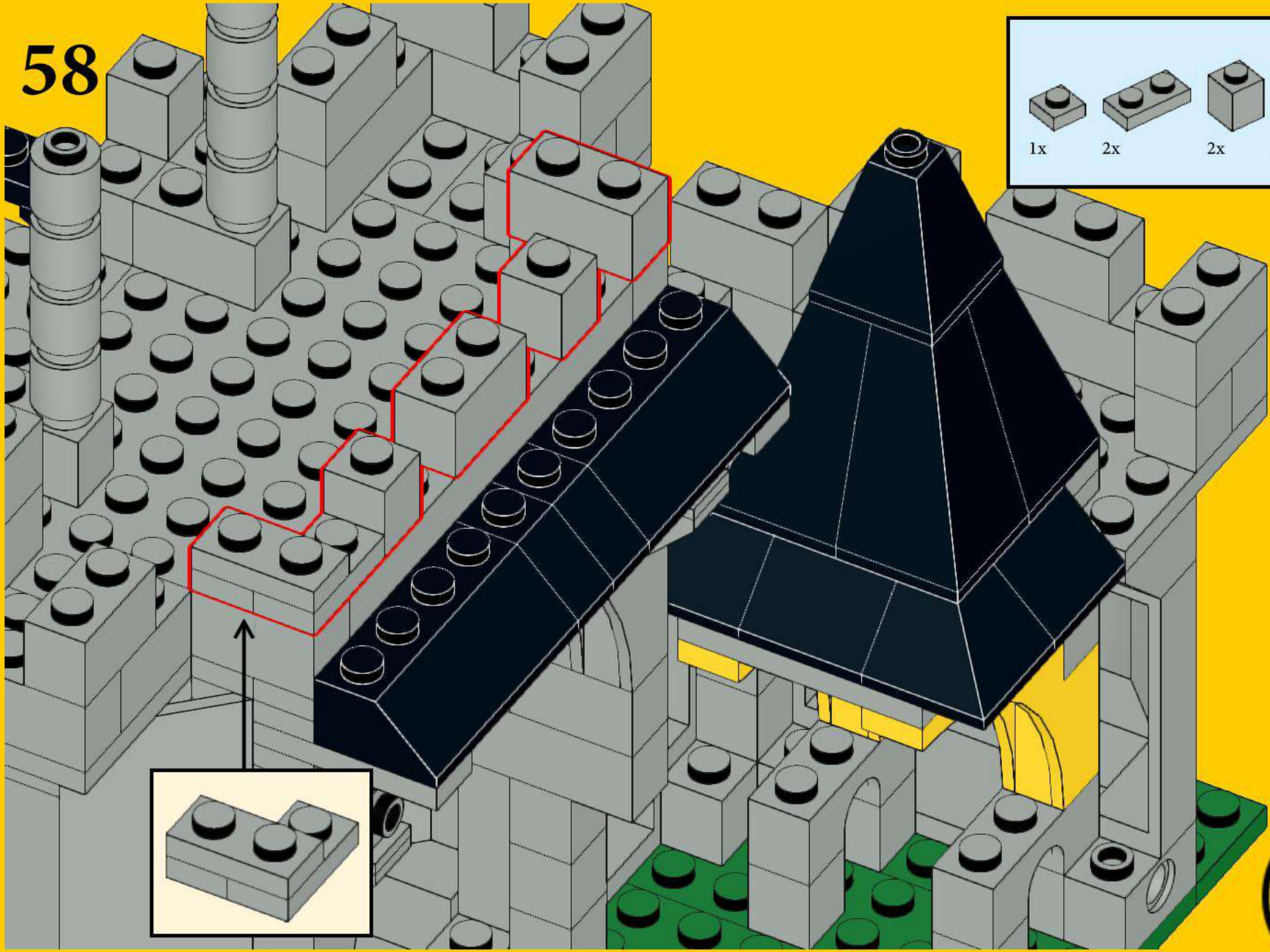
56



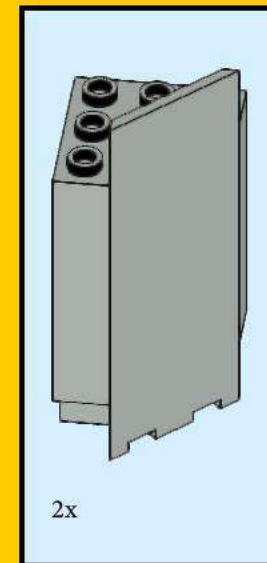
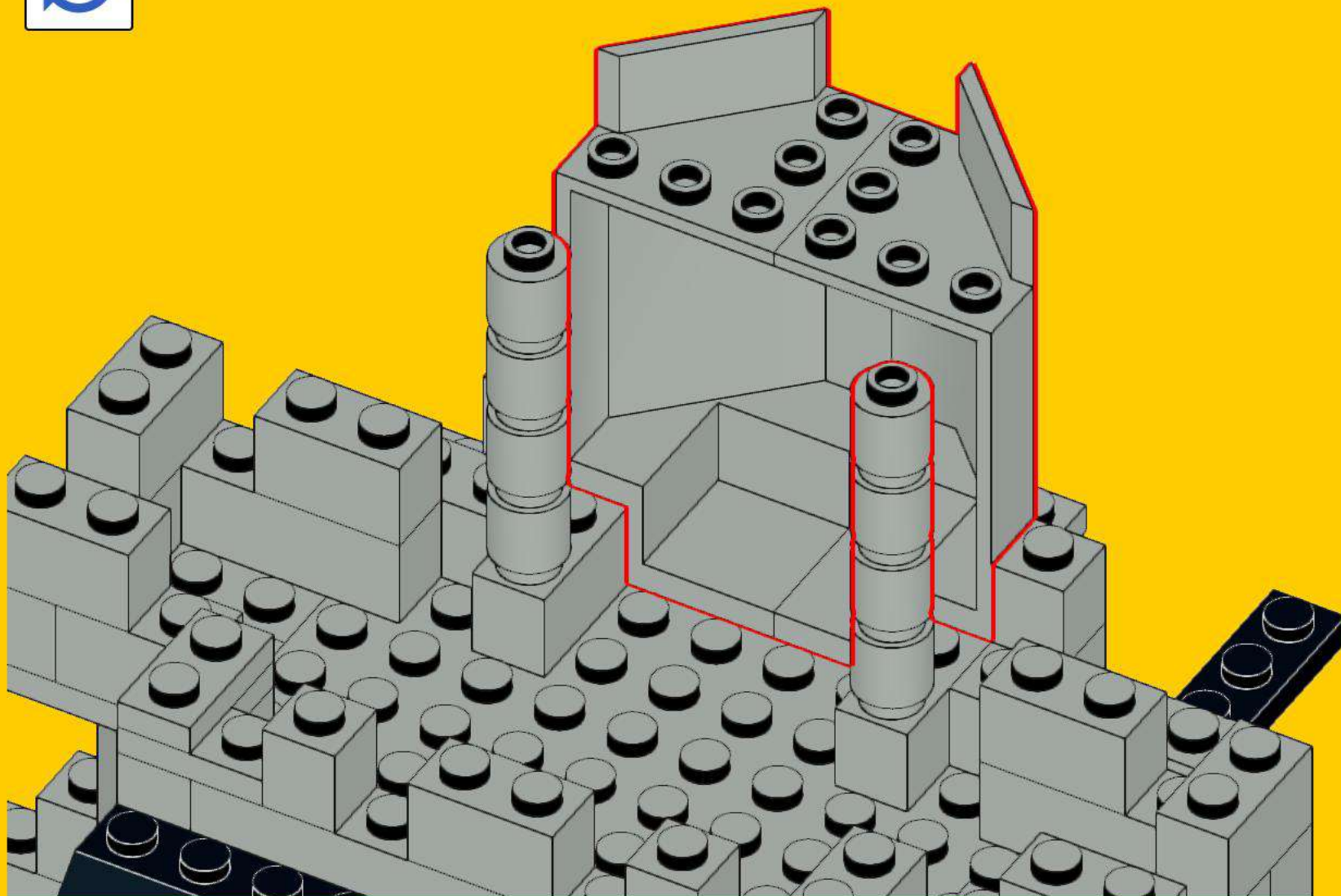
57



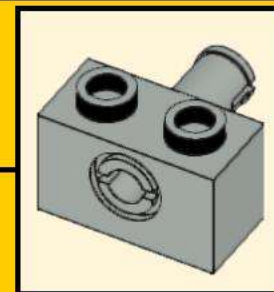
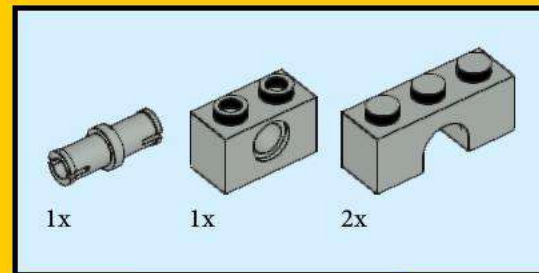
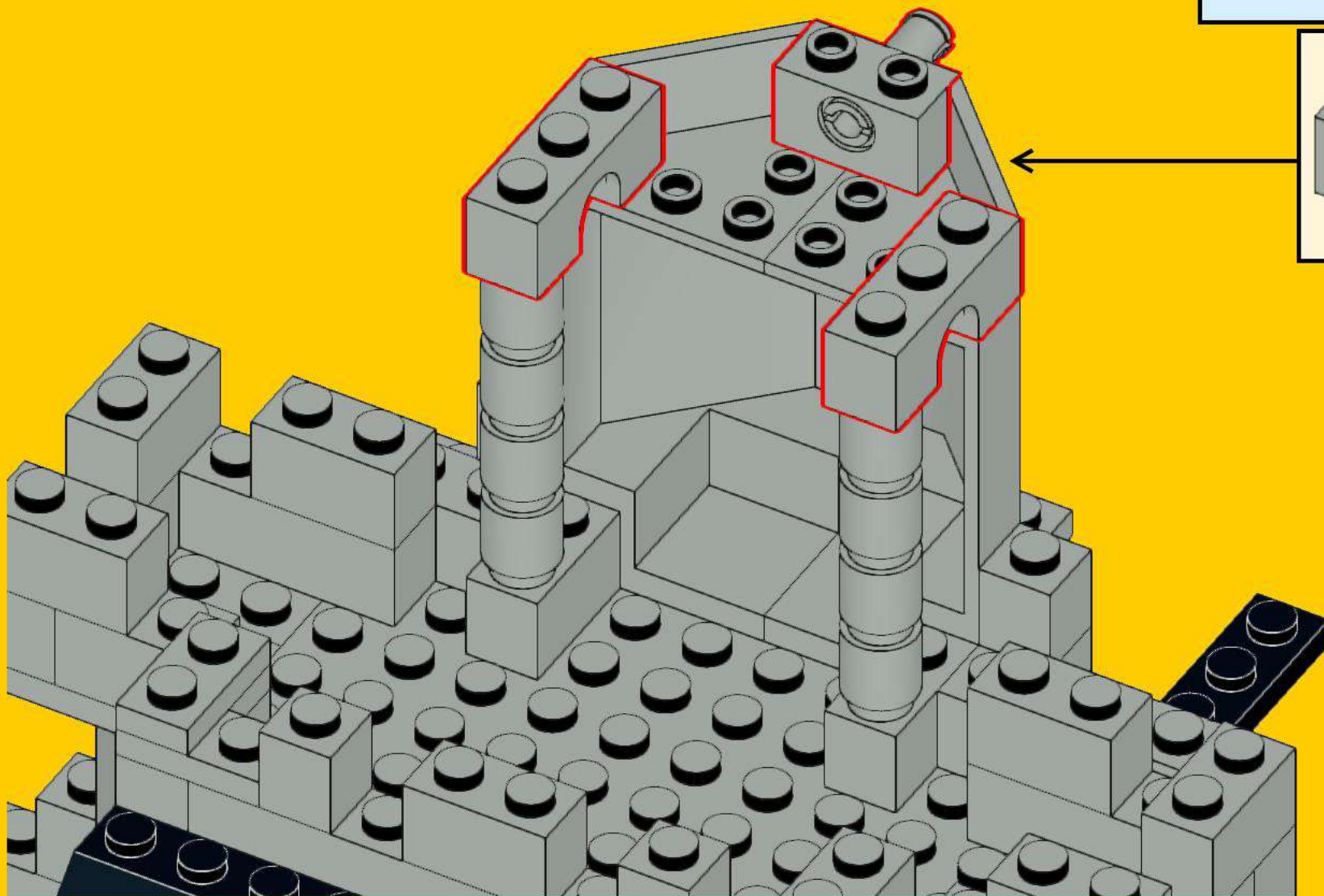
58



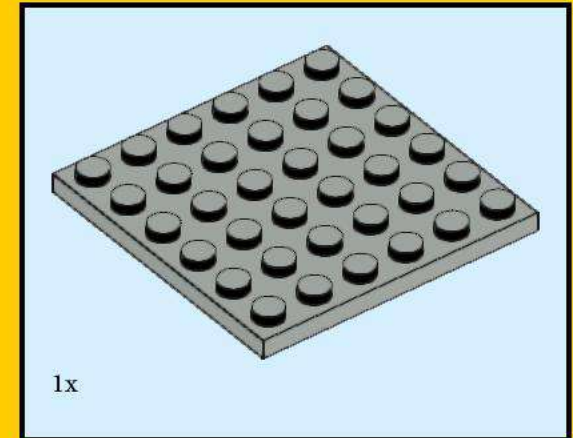
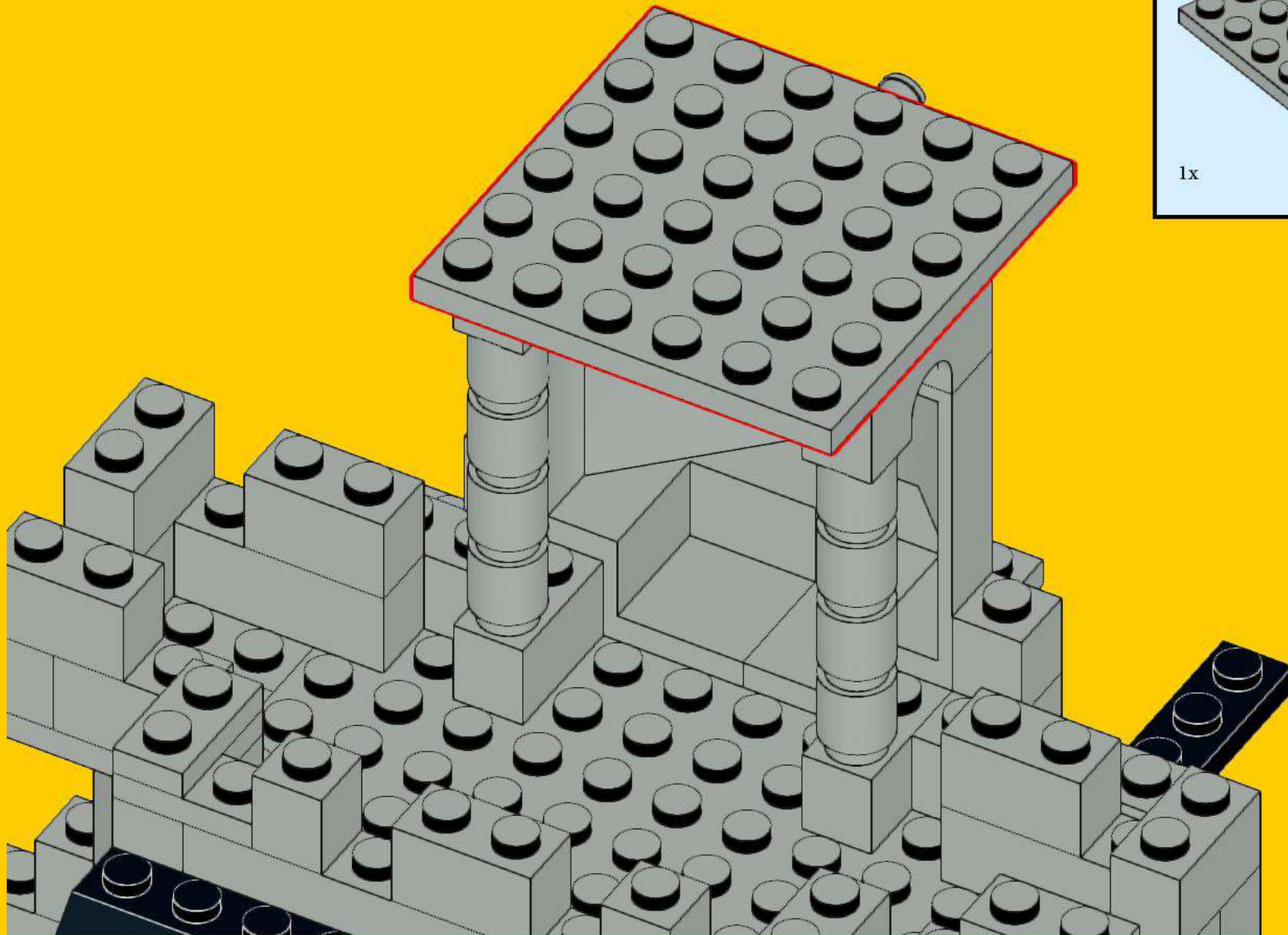
59



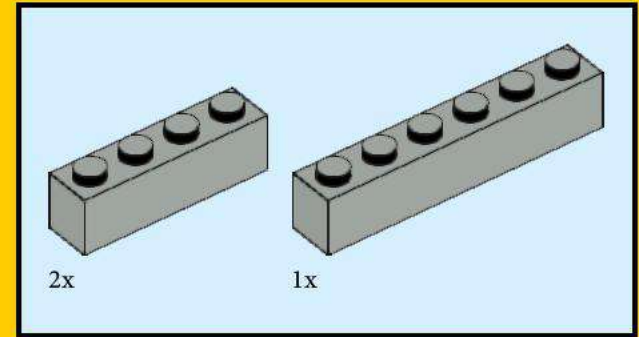
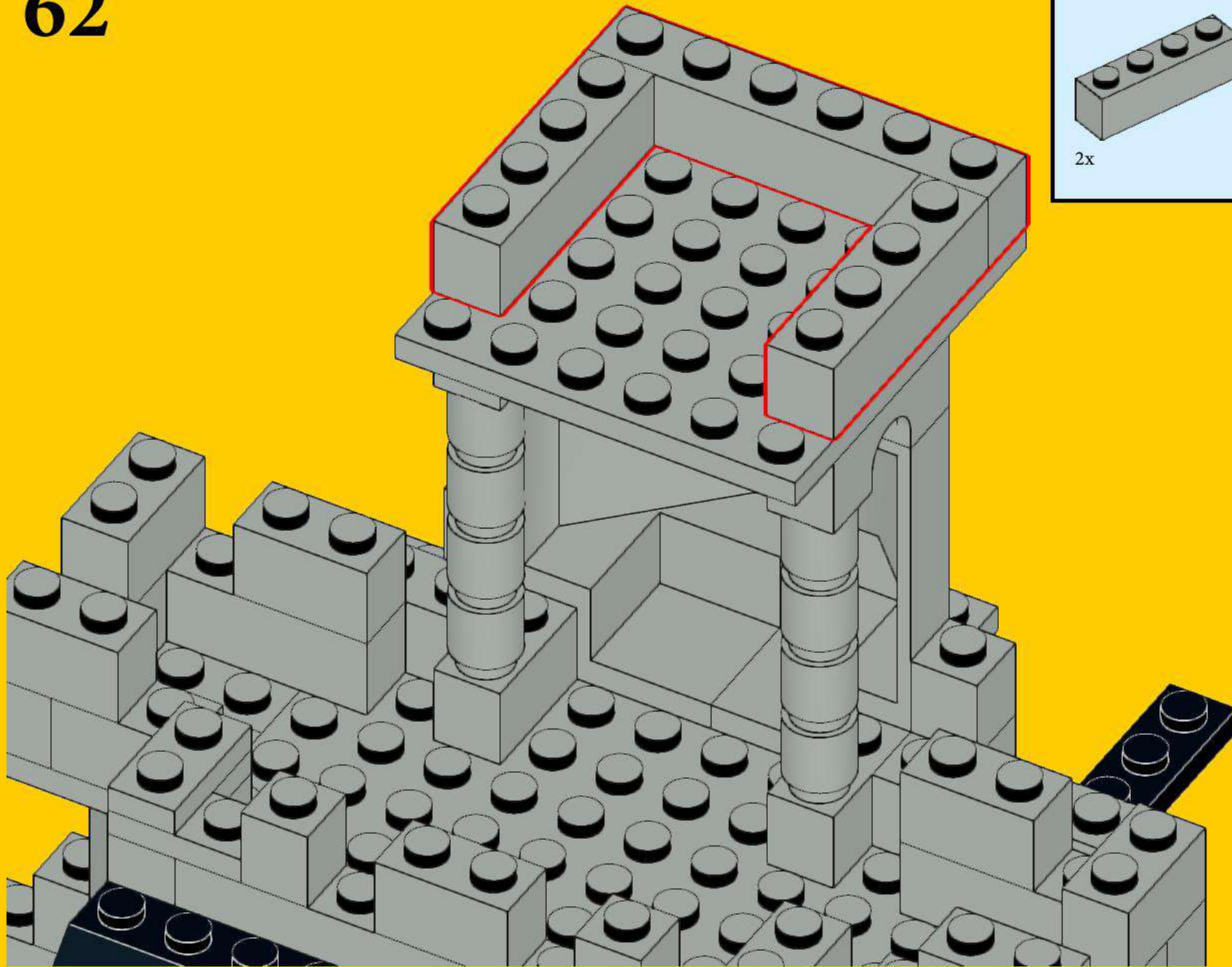
60



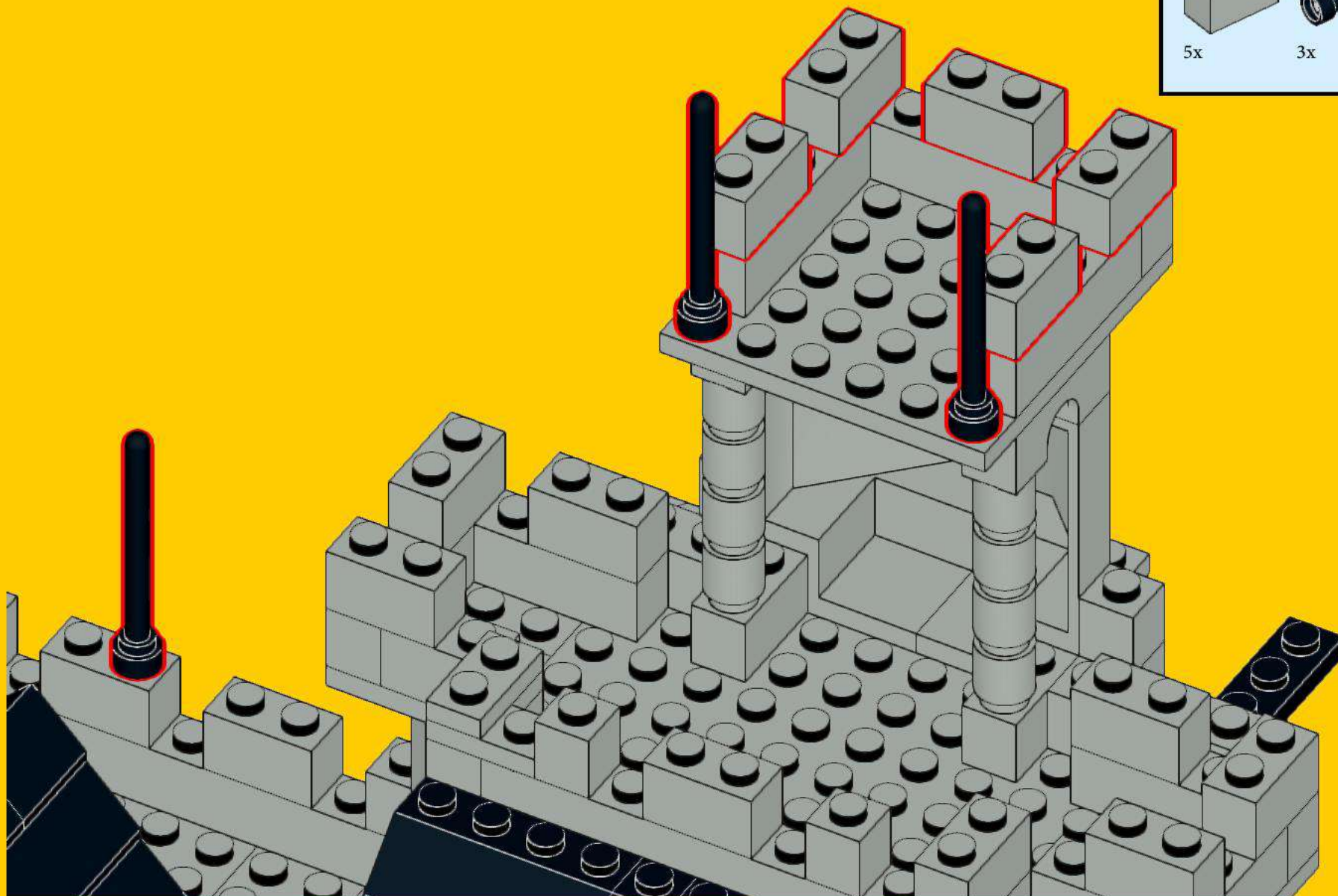
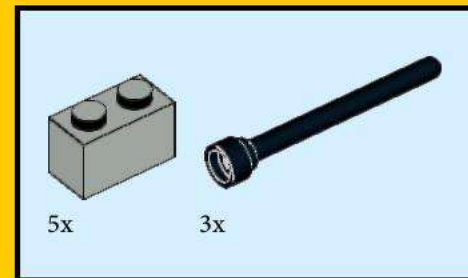
61



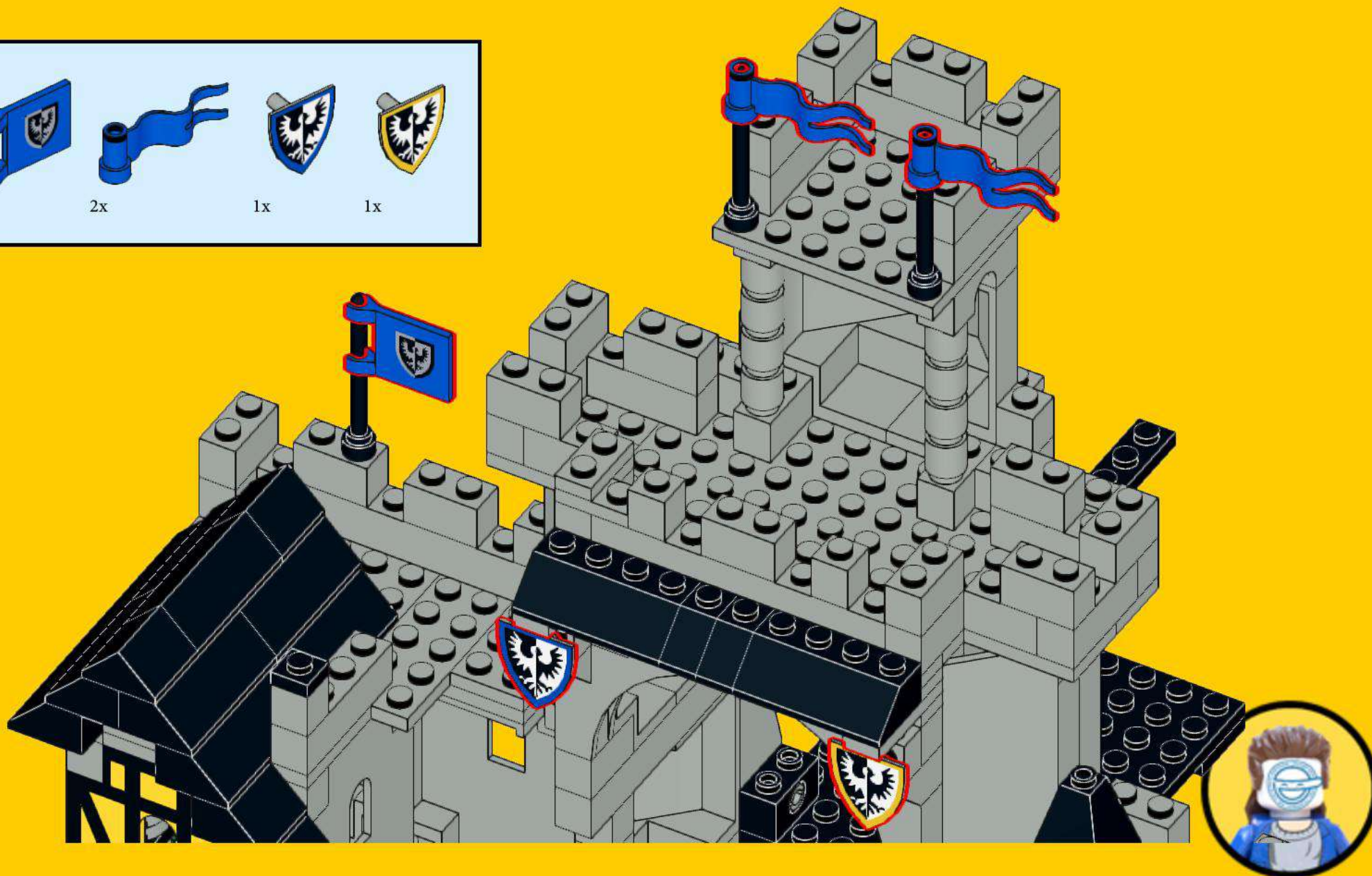
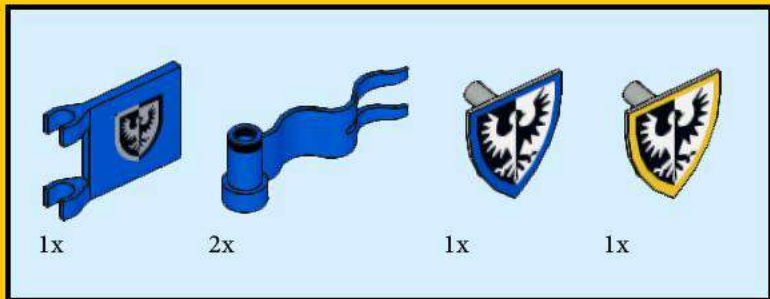
62



63



64



65



66



67



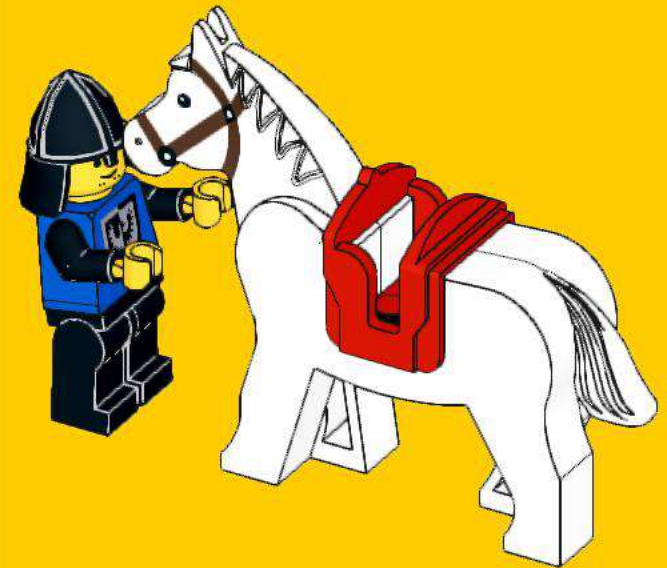
68



69



70



71





Add Rope at the bottom part of the bridge

And knot the rope in loop, lifting the bridge using this 2 points

