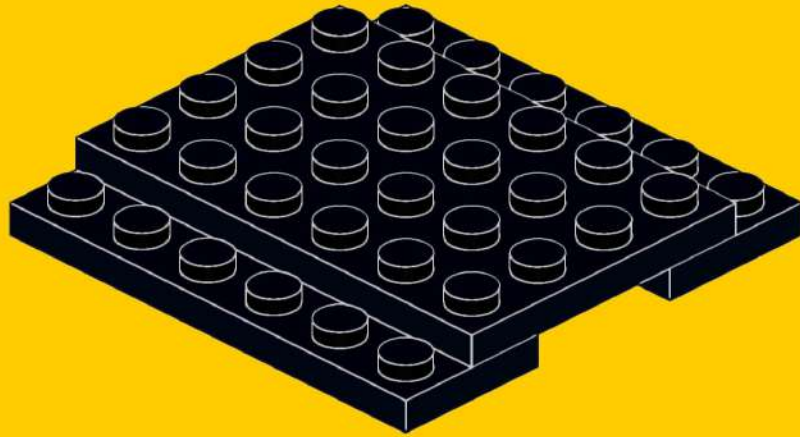
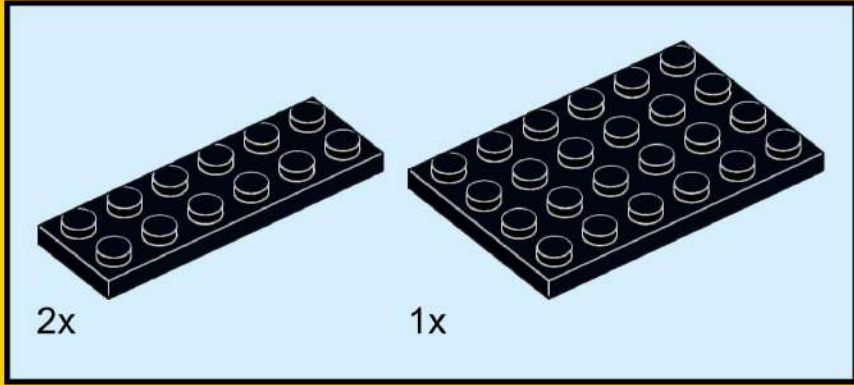


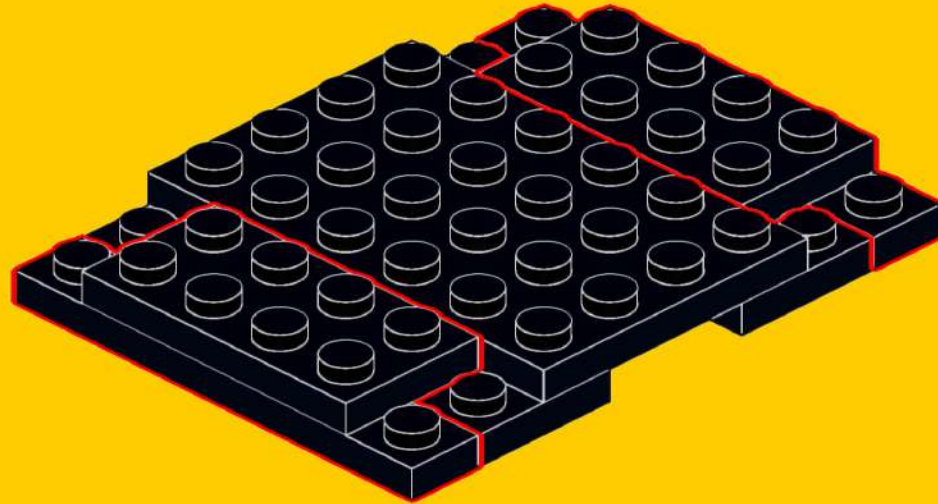
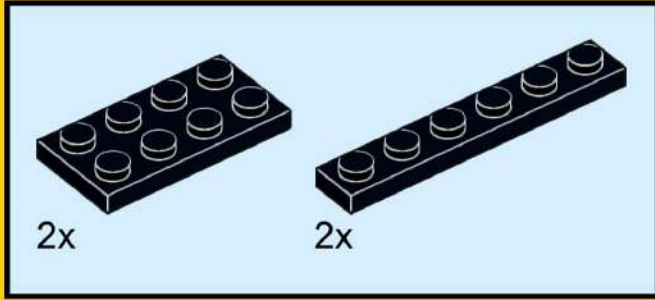
IDEAS 250 - Lion Knight's Siege - Small Catapult



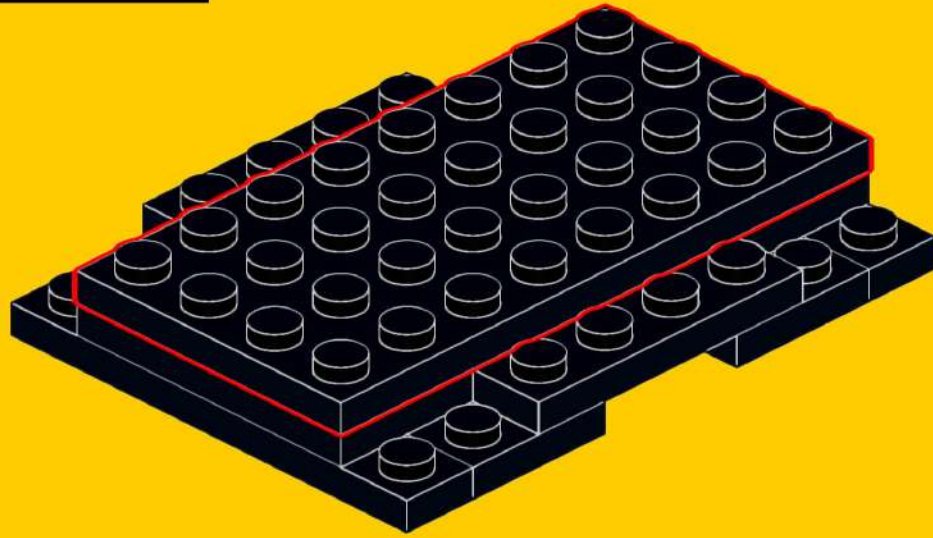
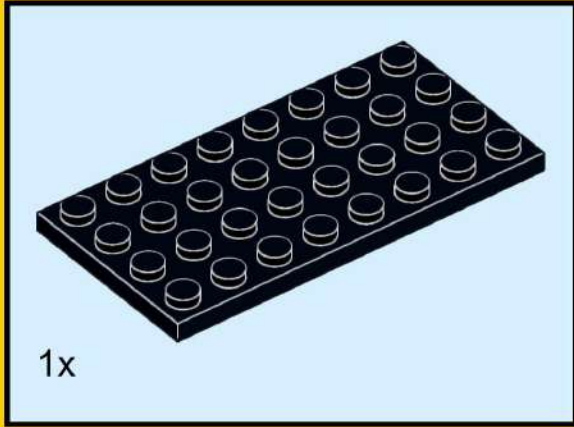
1



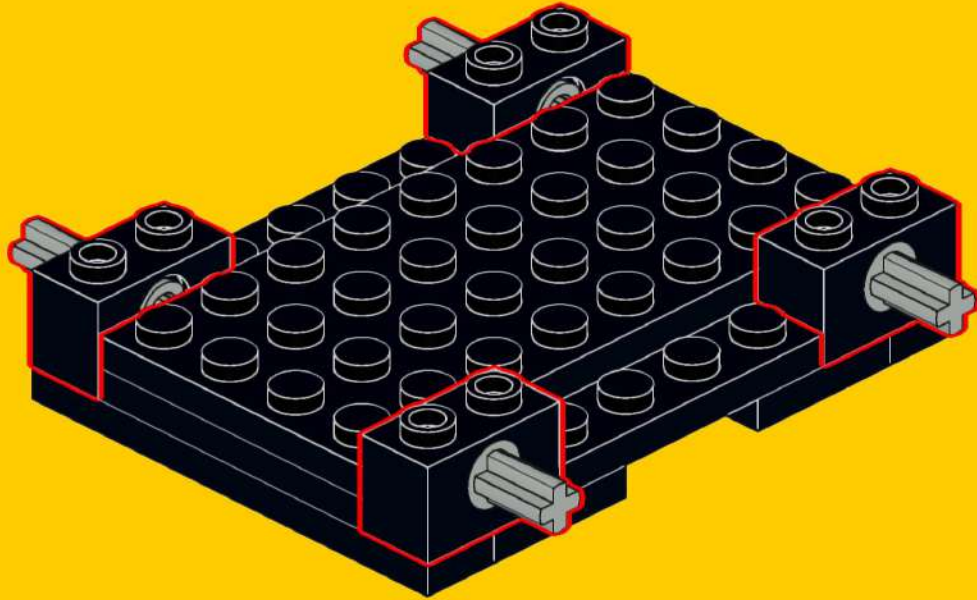
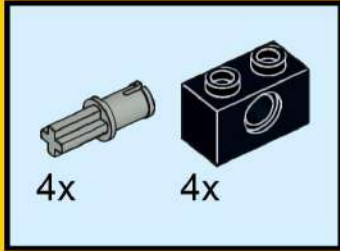
2



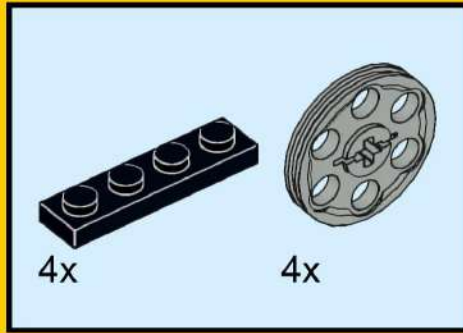
3



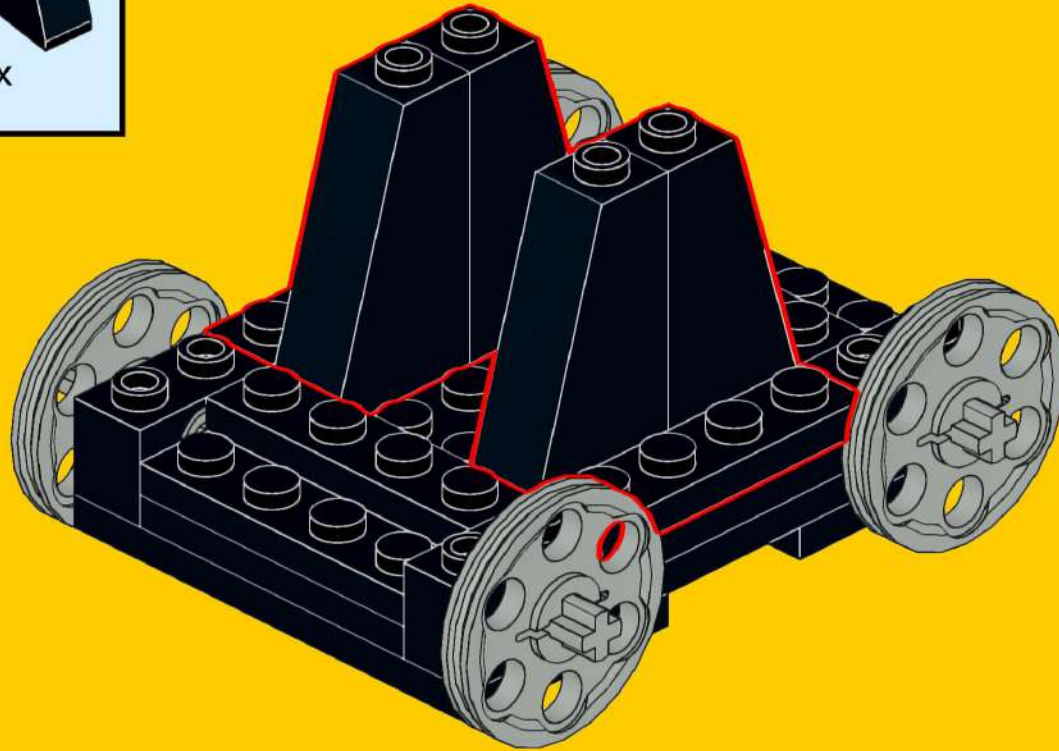
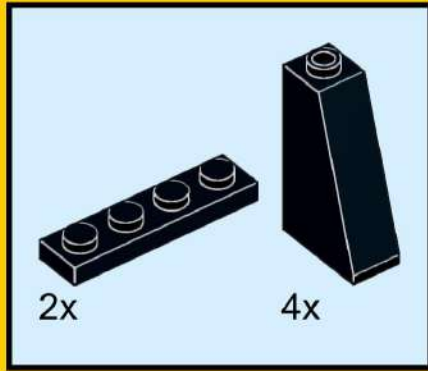
4



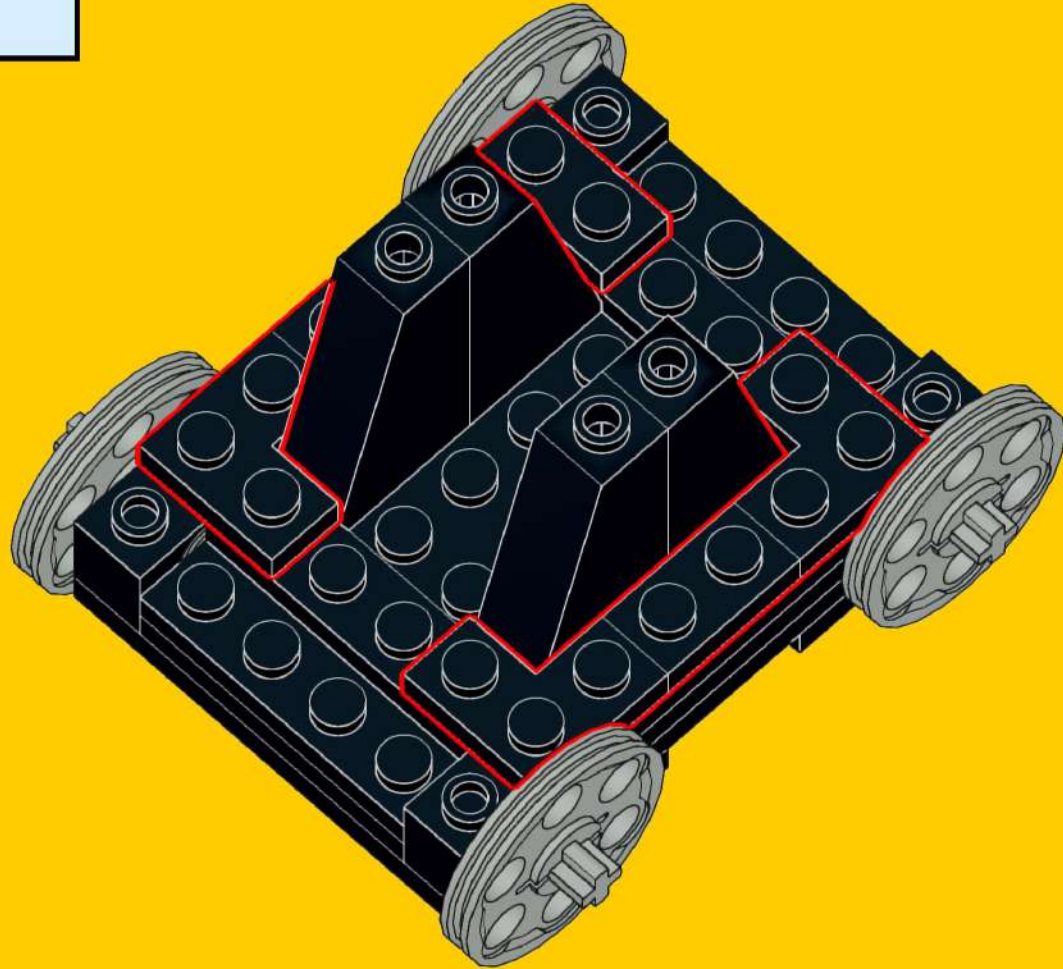
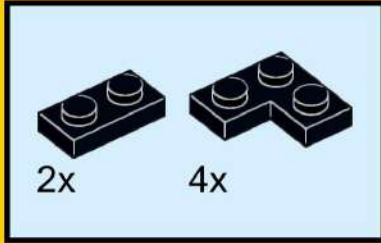
5



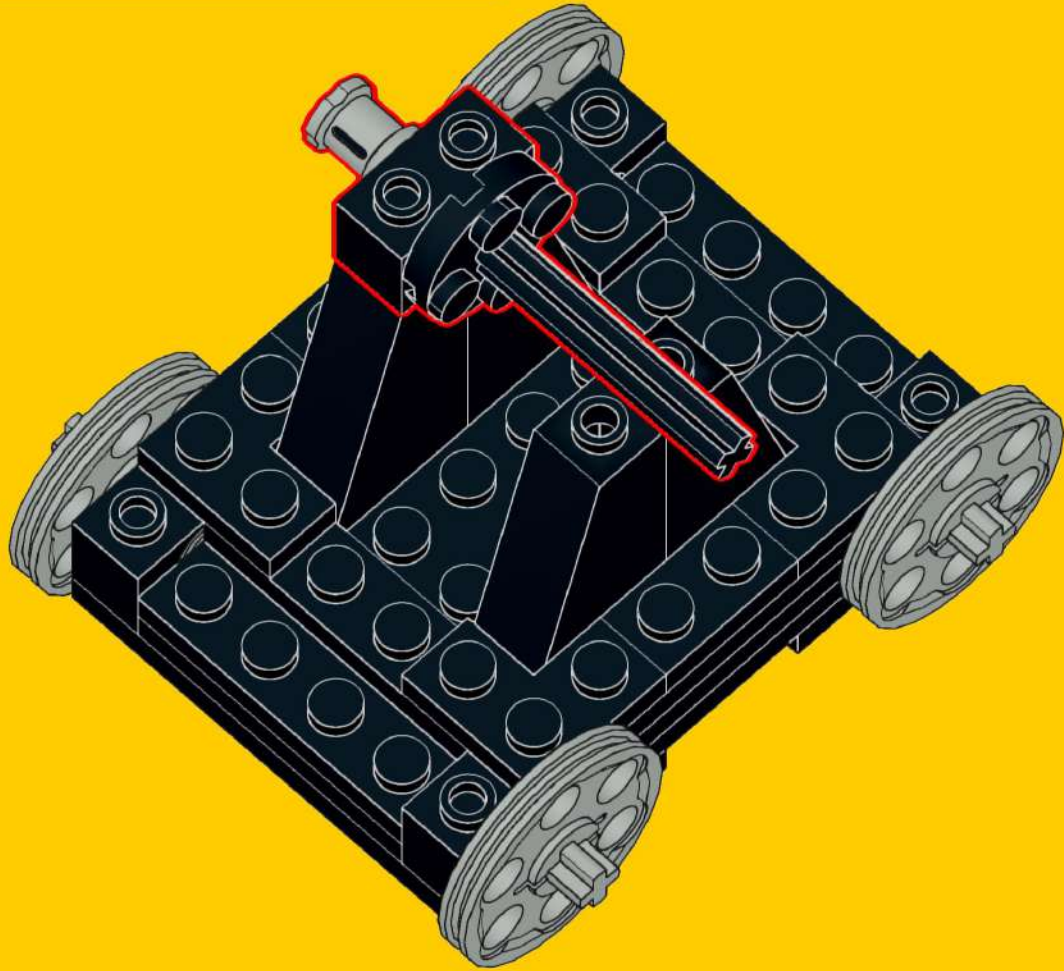
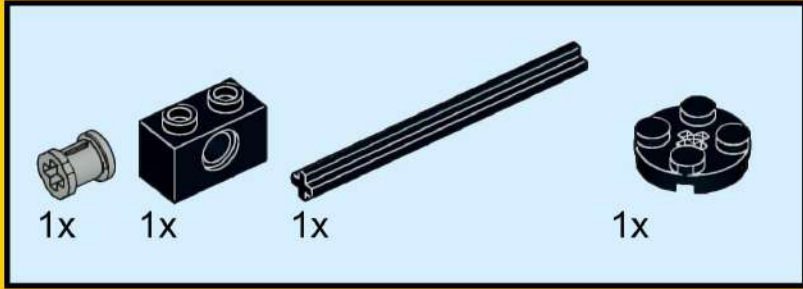
6

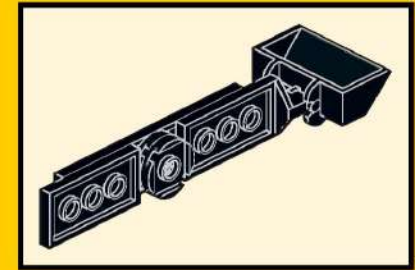
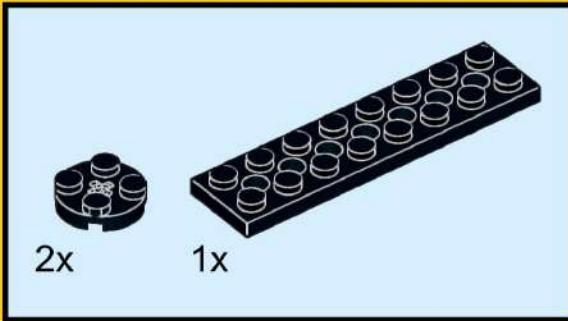


7

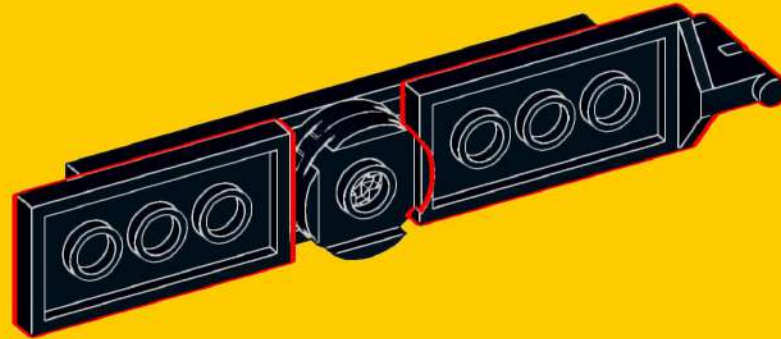
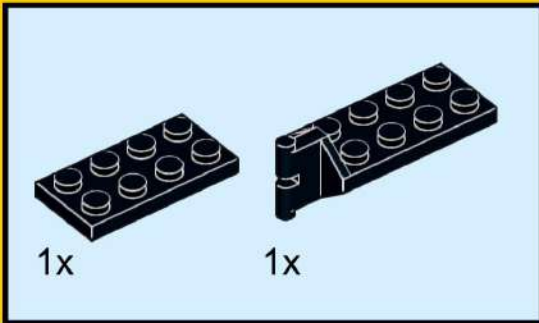


8



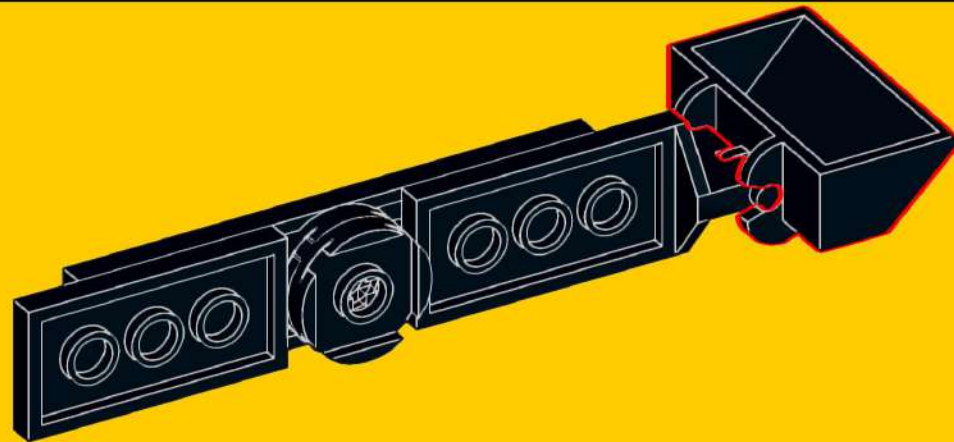


9



10

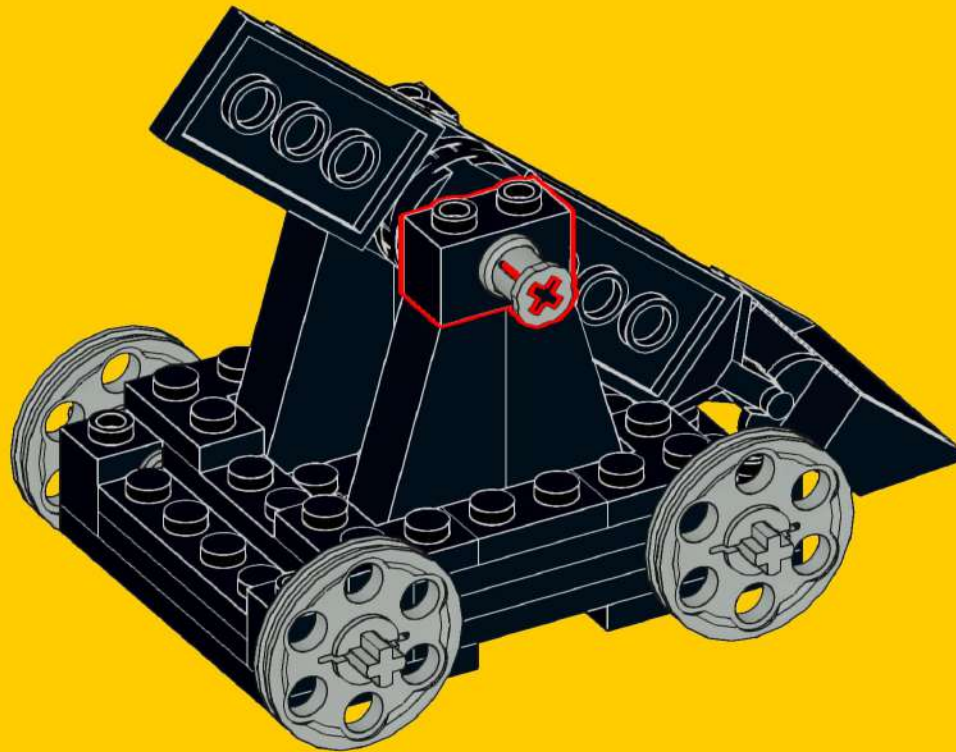
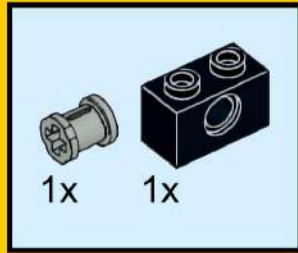
11



12



13



14



15



16



2x
3023, 11



4x
4460a, 11



1x
3706, 11



1x
3738, 11



4x
4185, 9



2x
981, 7



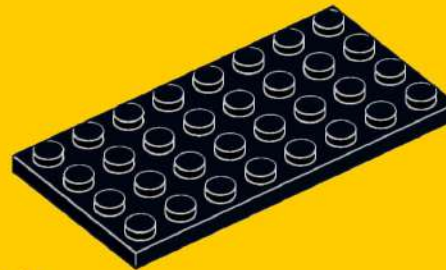
2x
970, 11



3x
3020, 11



2x
3666, 11



1x
3035, 11



2x
971, 7



6x
3700, 11



1x
784, 11



2x
3795, 11



2x
3896, 10



2x
973px138, 5



2x
972, 7



4x
2420, 11



1x
3032, 11



2x
3713, 9



4x
983, 3



3x
3062b, 3



3x
4032, 11



1x
3639, 11



4x
3749, 9



2x
3626ap01, 3



6x
3710, 11



2x
982, 7

