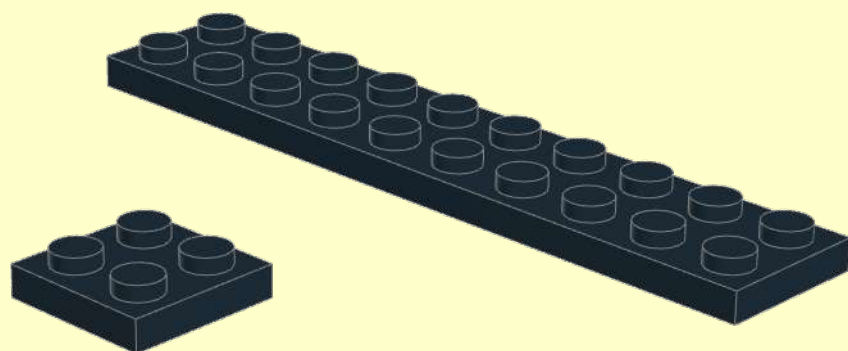
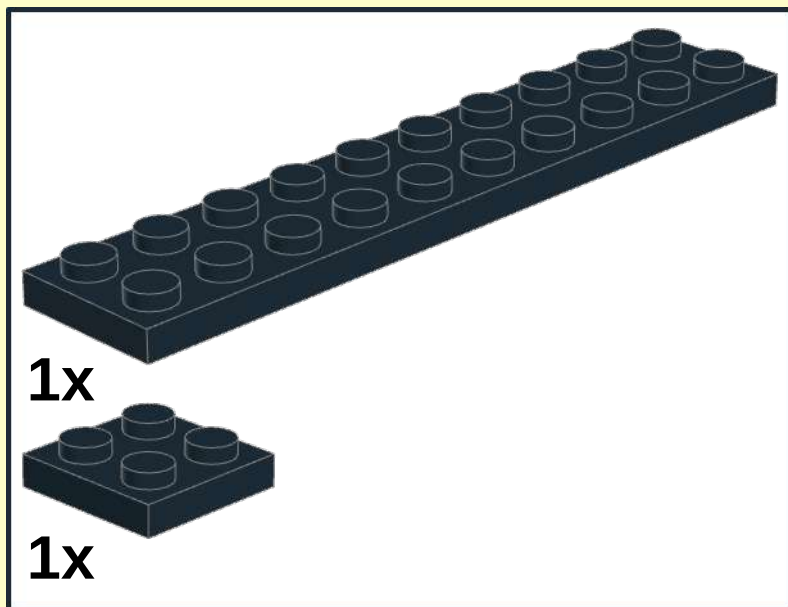
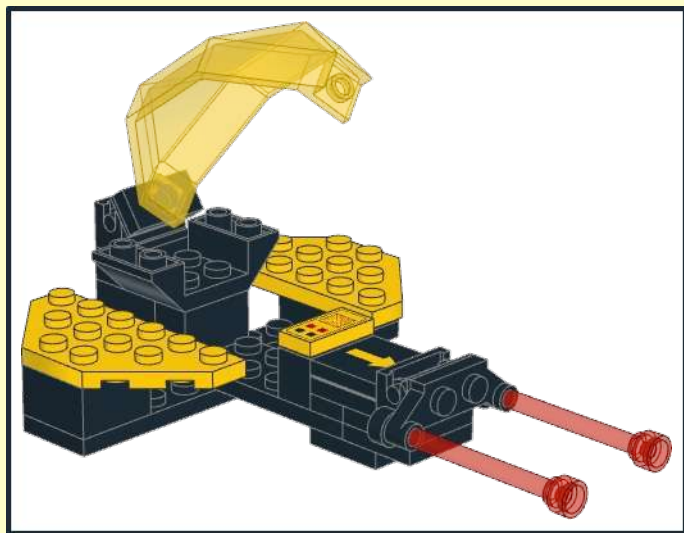
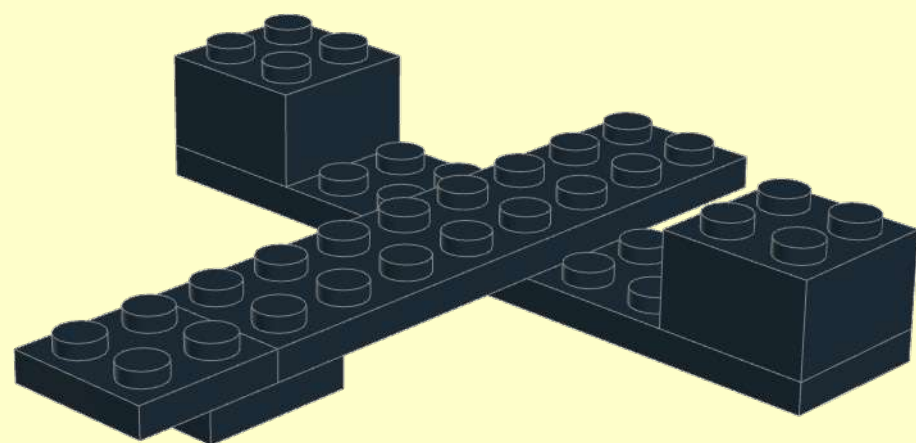
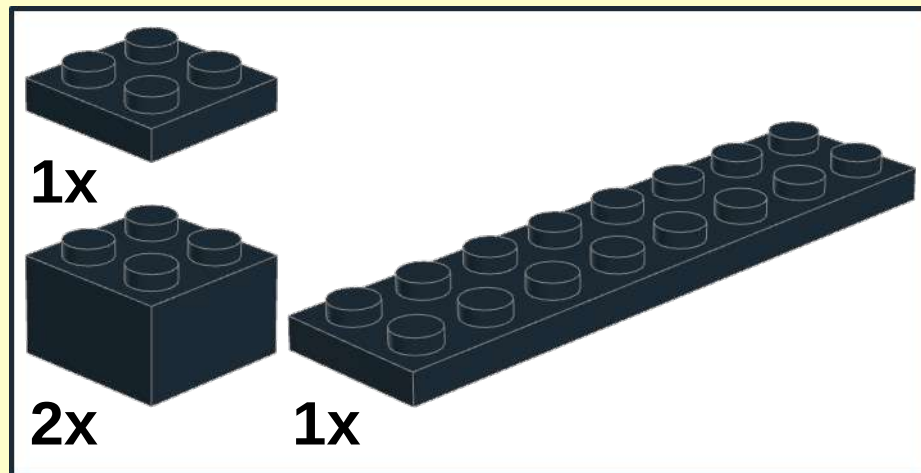


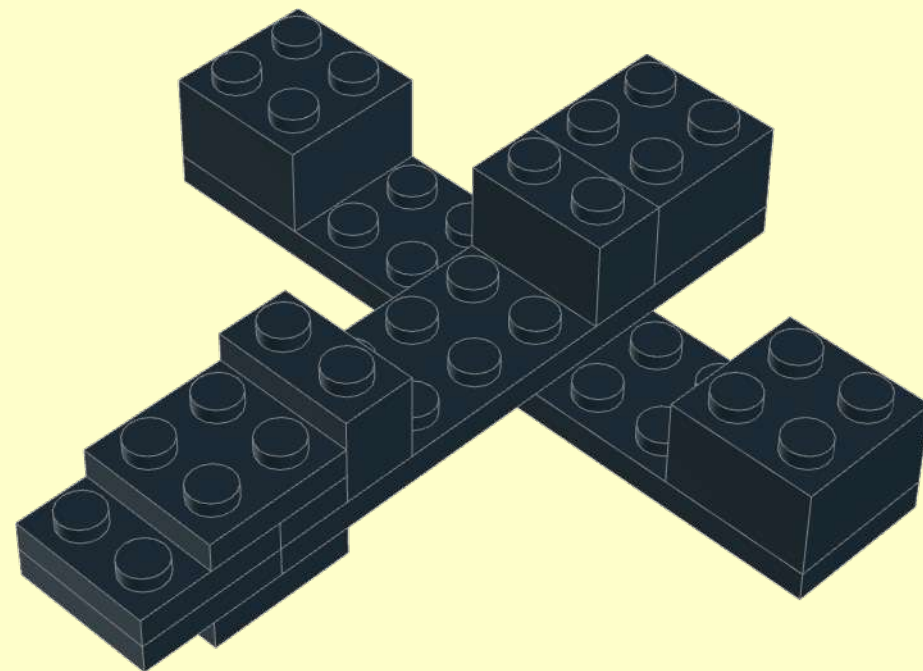
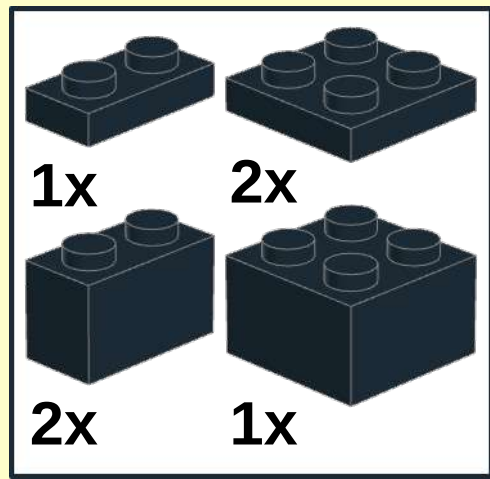
1

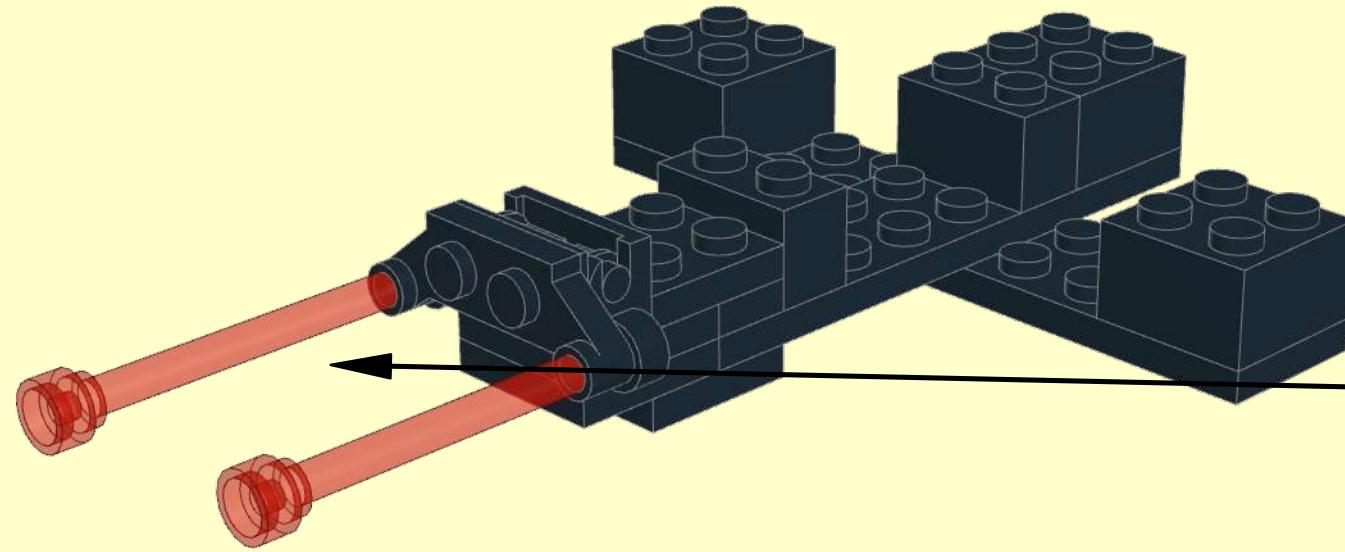



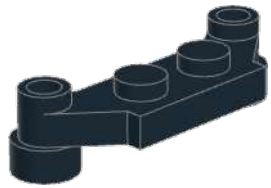
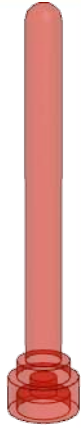
2

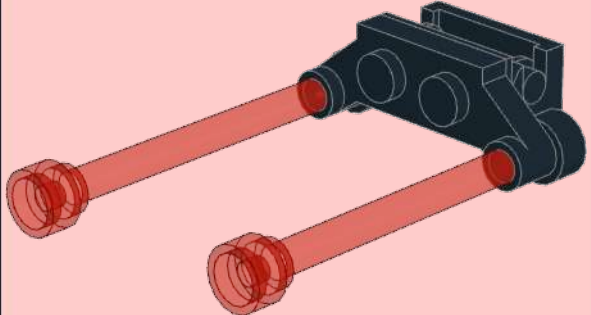


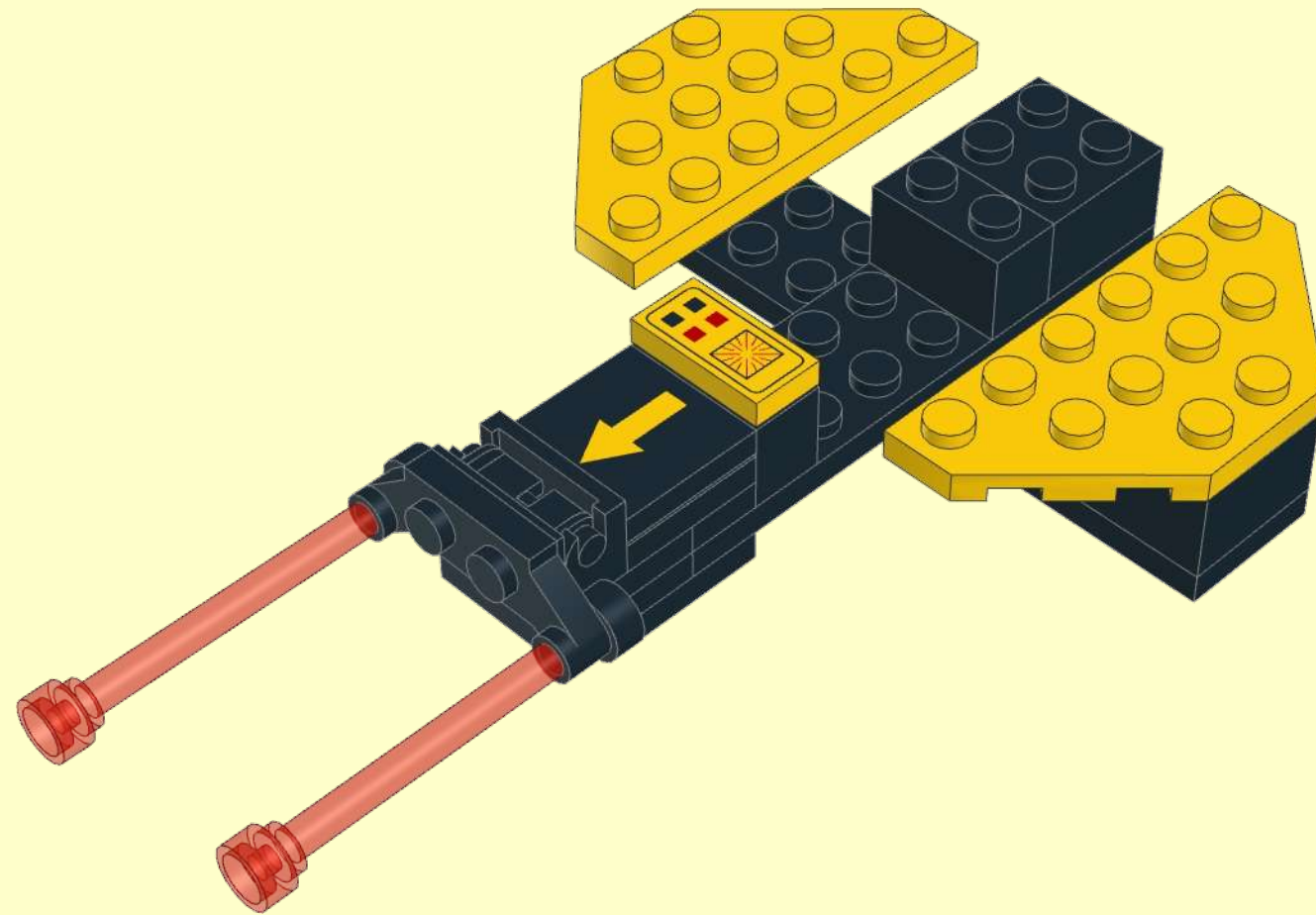
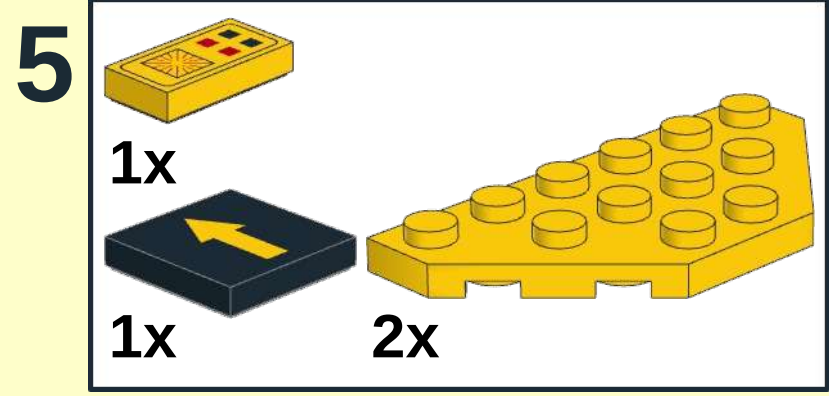
3



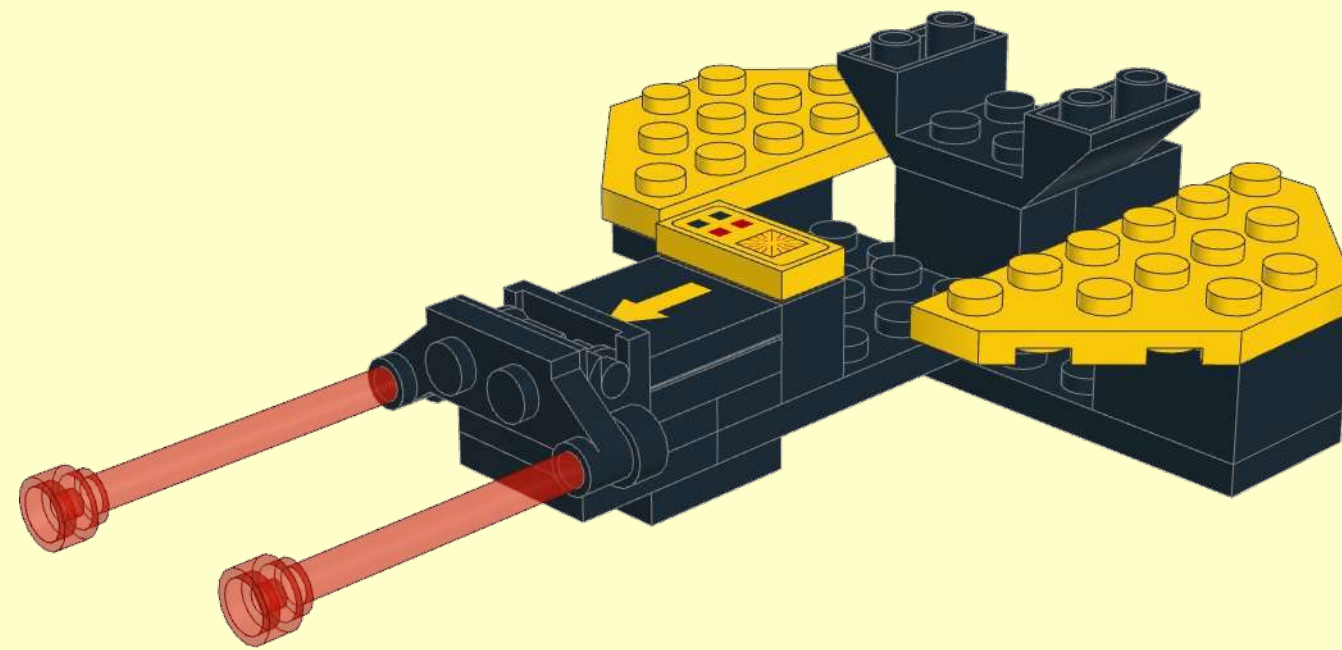
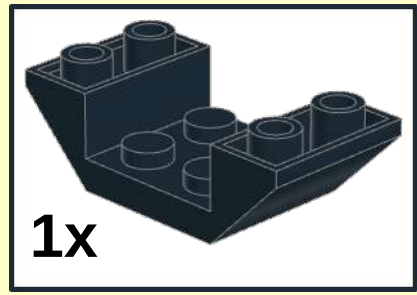


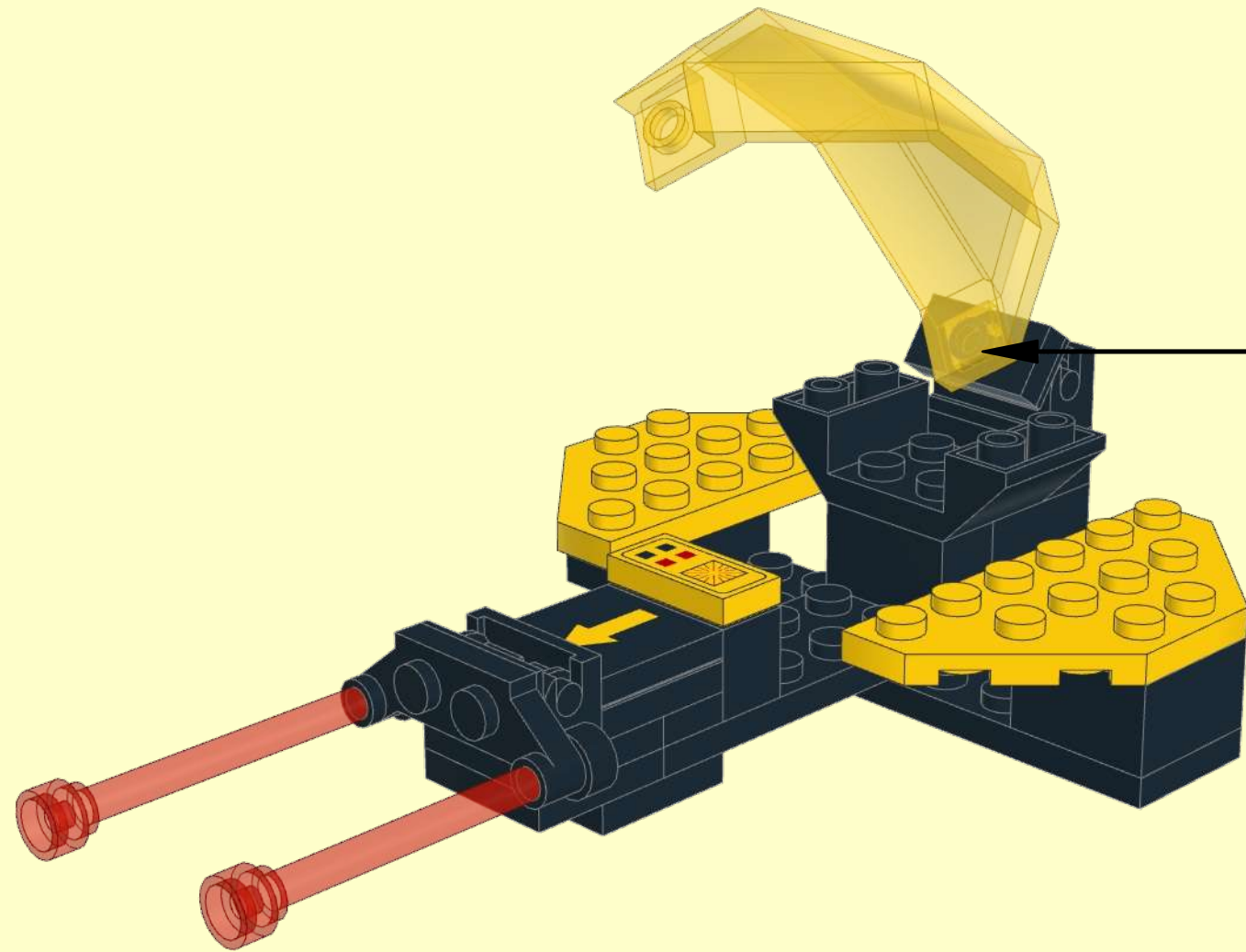
		
1x	1x	2x





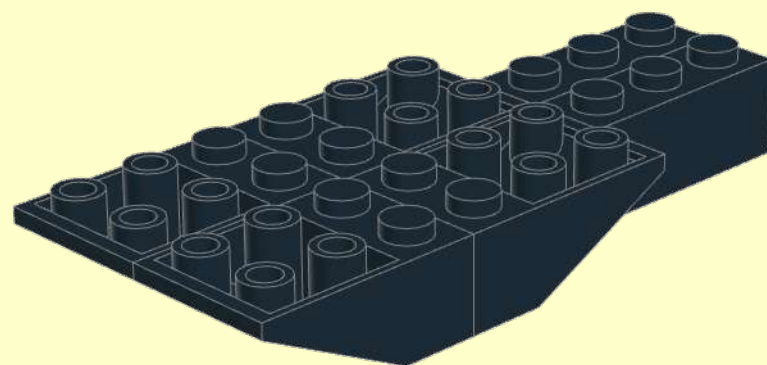
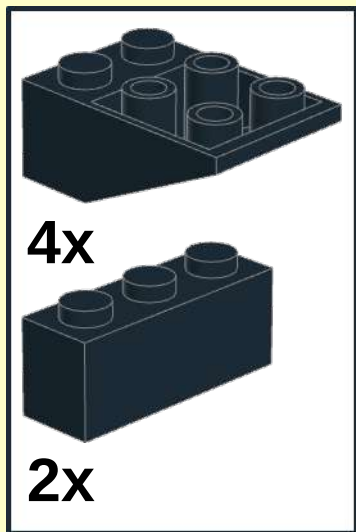
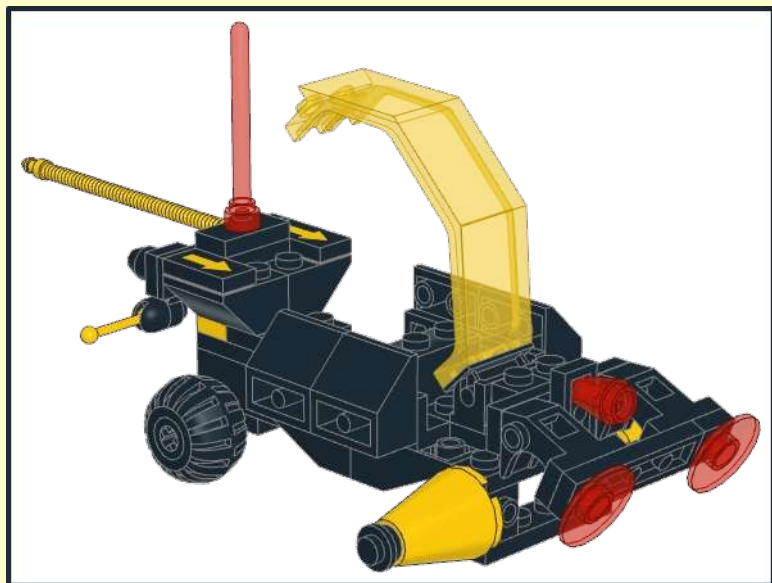
6



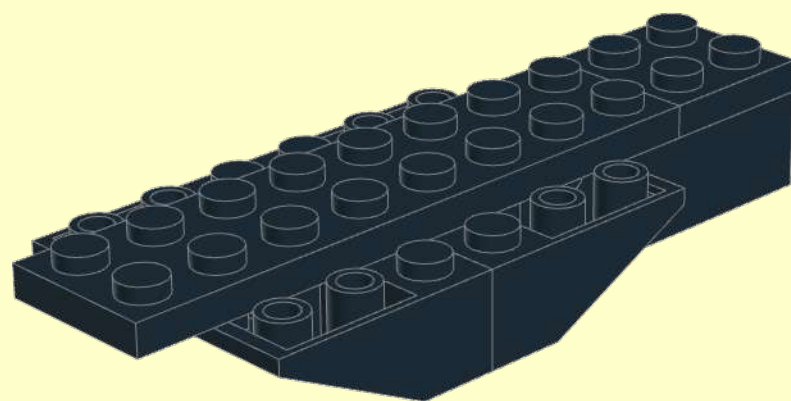
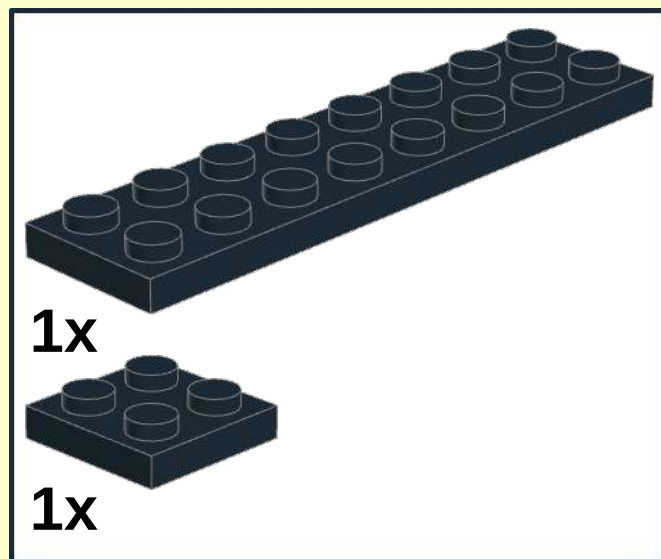


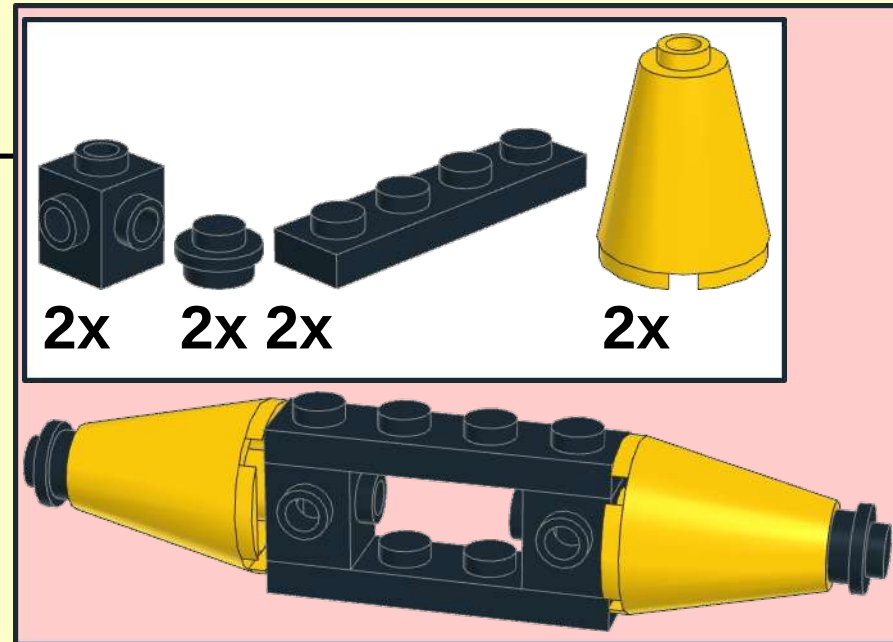
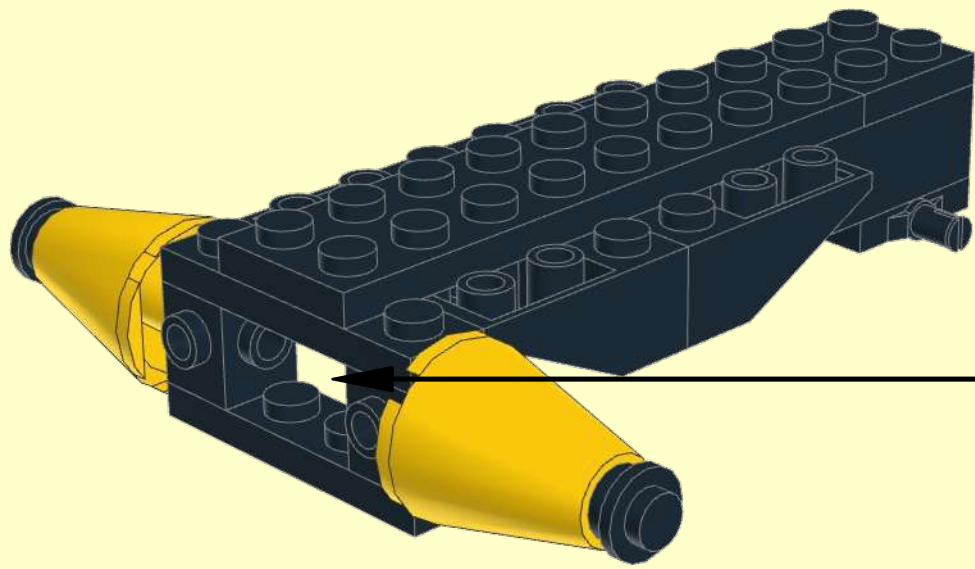
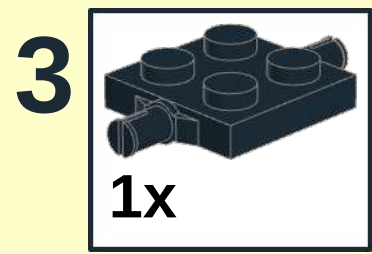
2x	
1x	
1x	
1x	1x

1

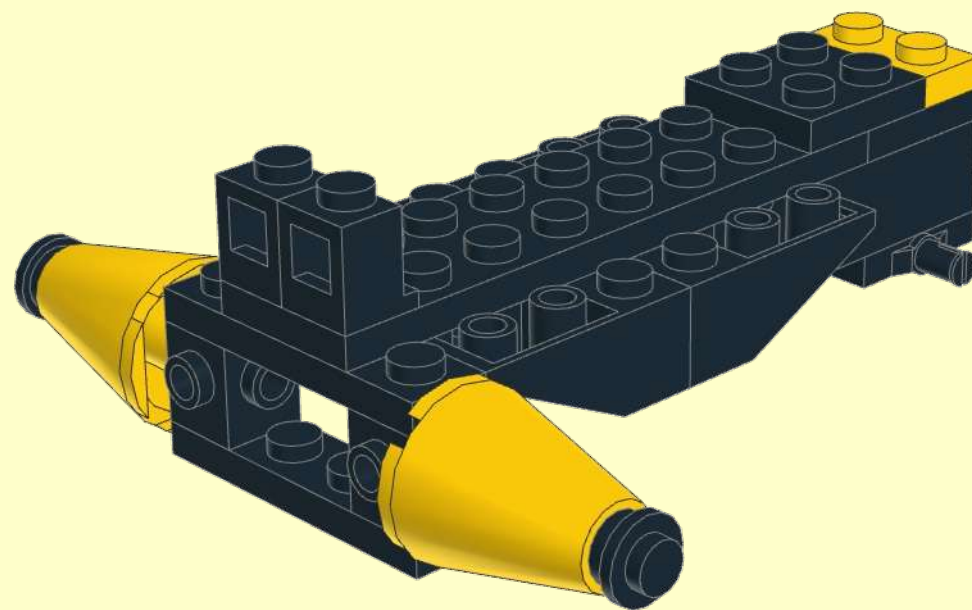
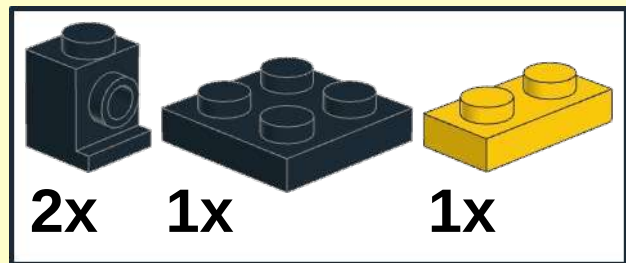


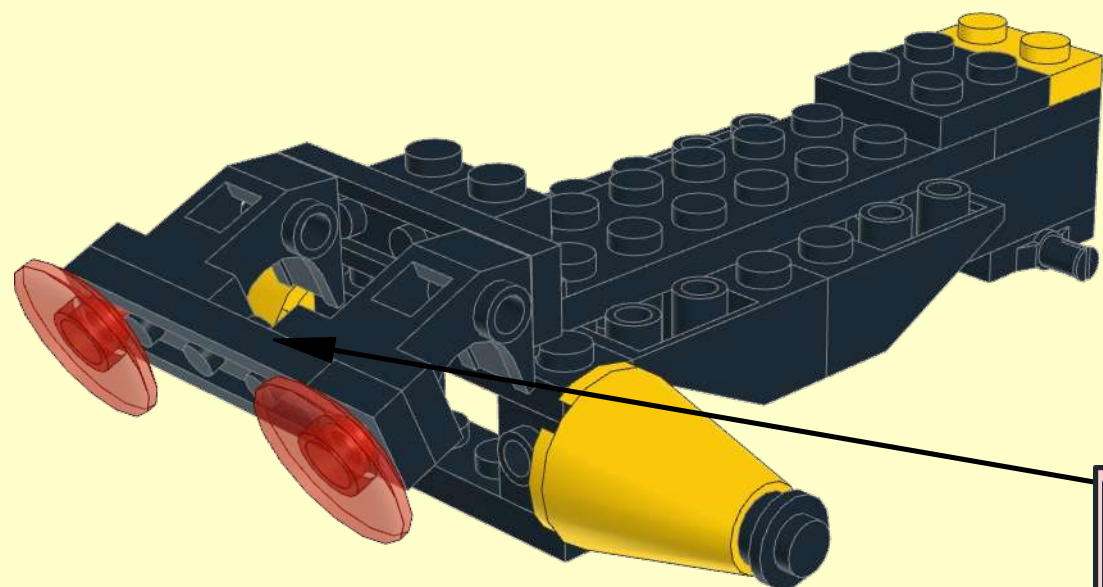
2


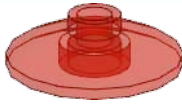
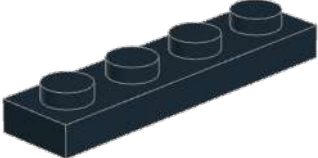
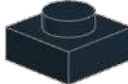


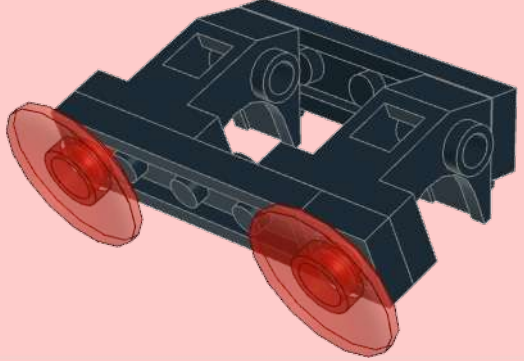


4

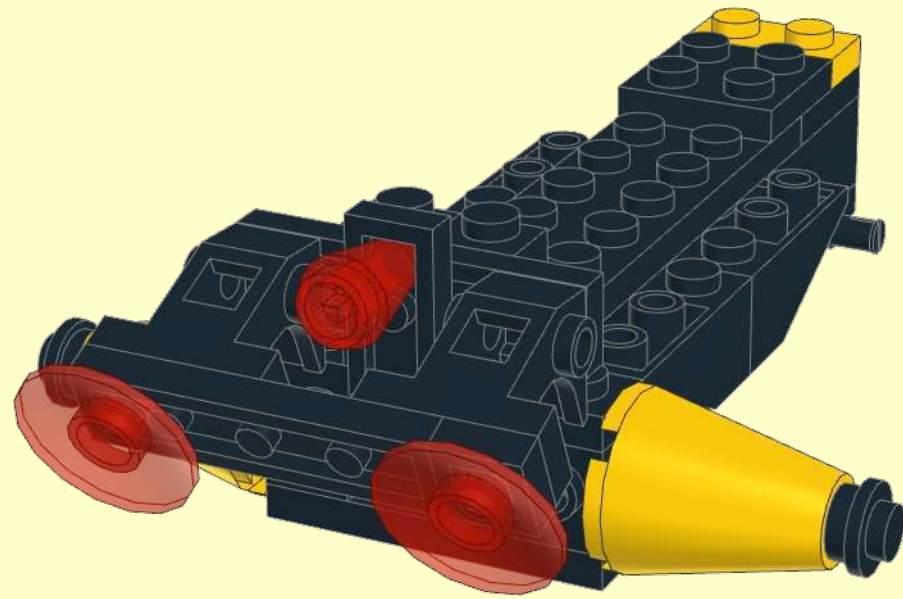
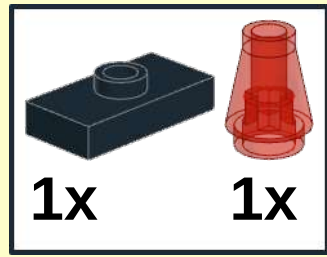




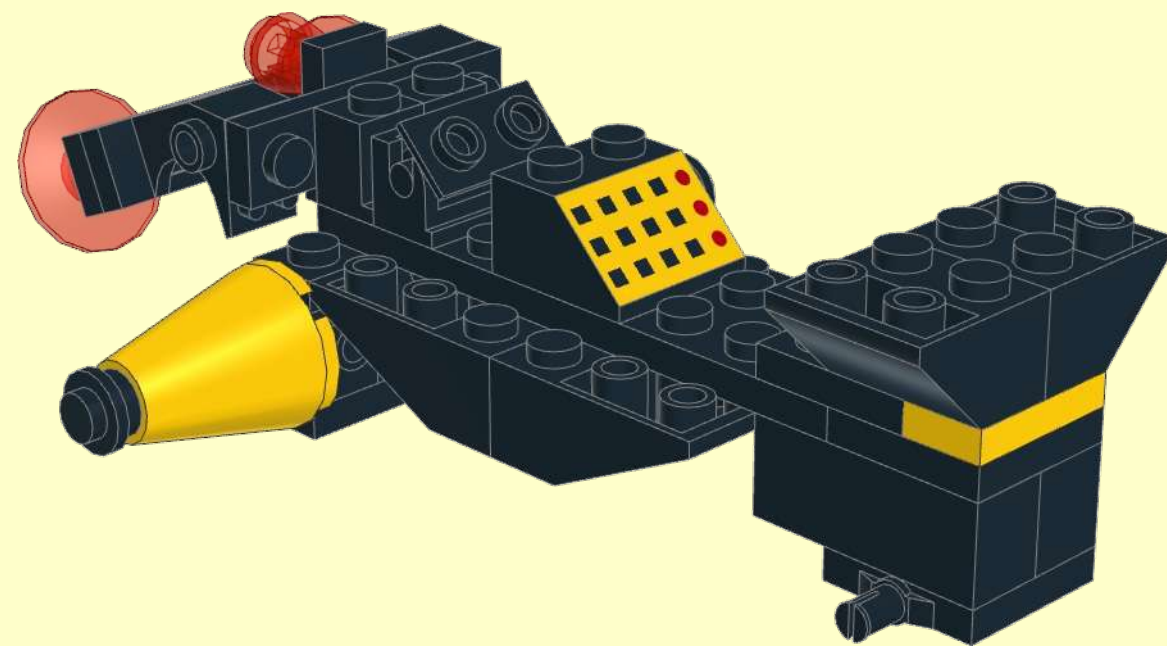
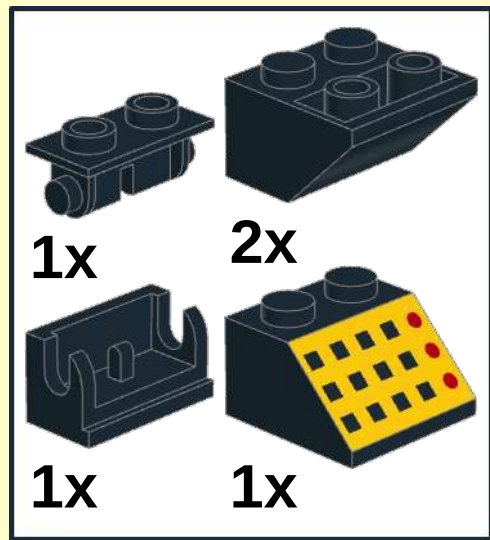
 2x	 2x	 2x
 1x		



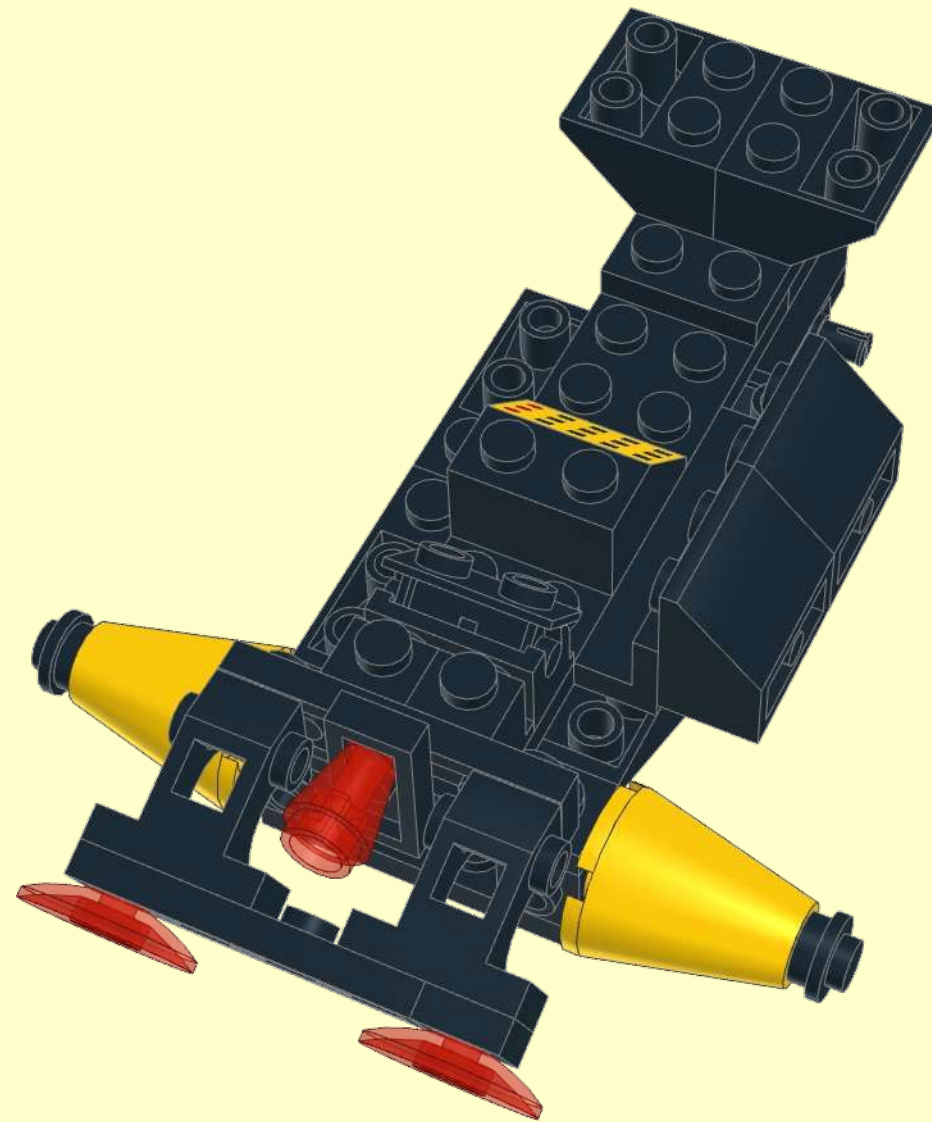
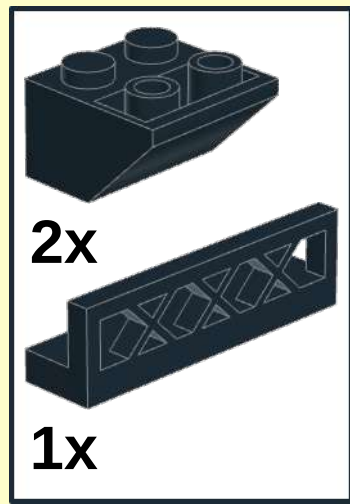
6



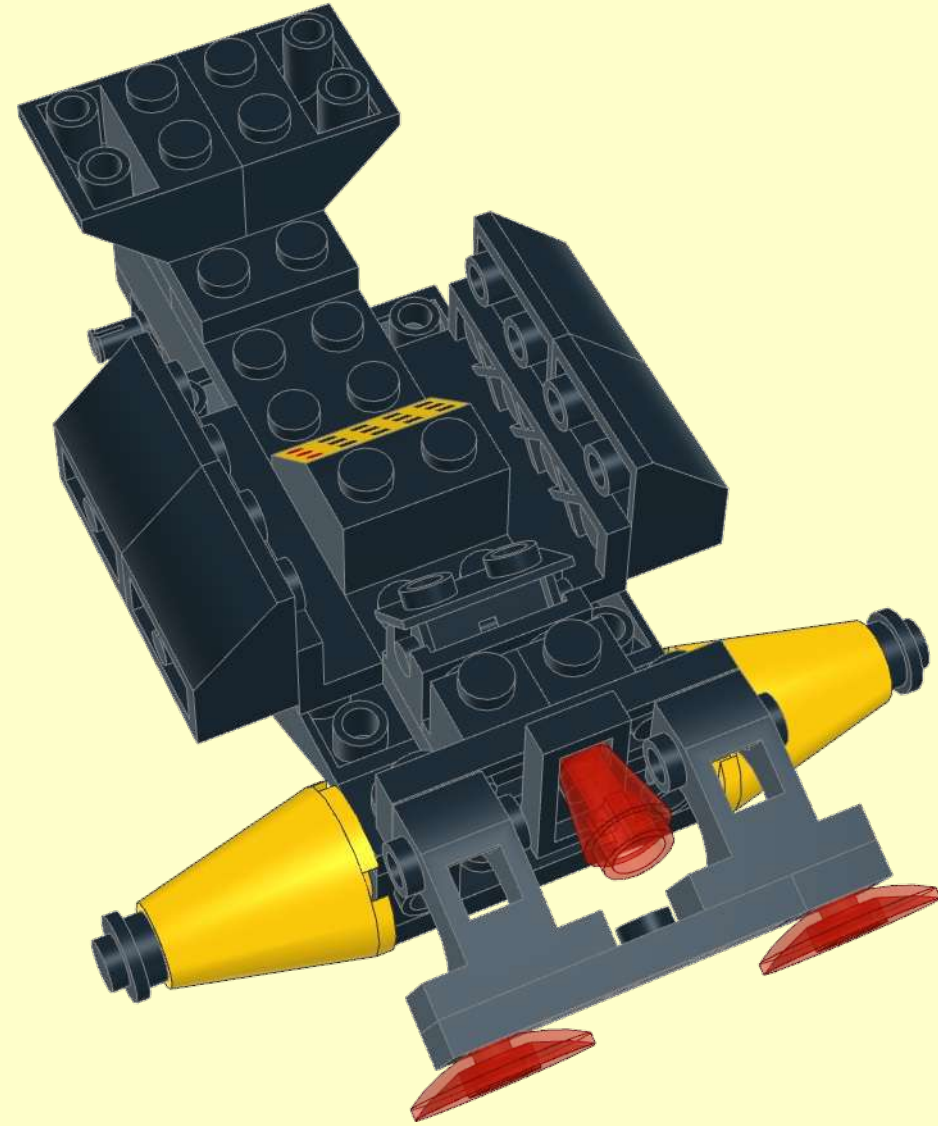
7



8

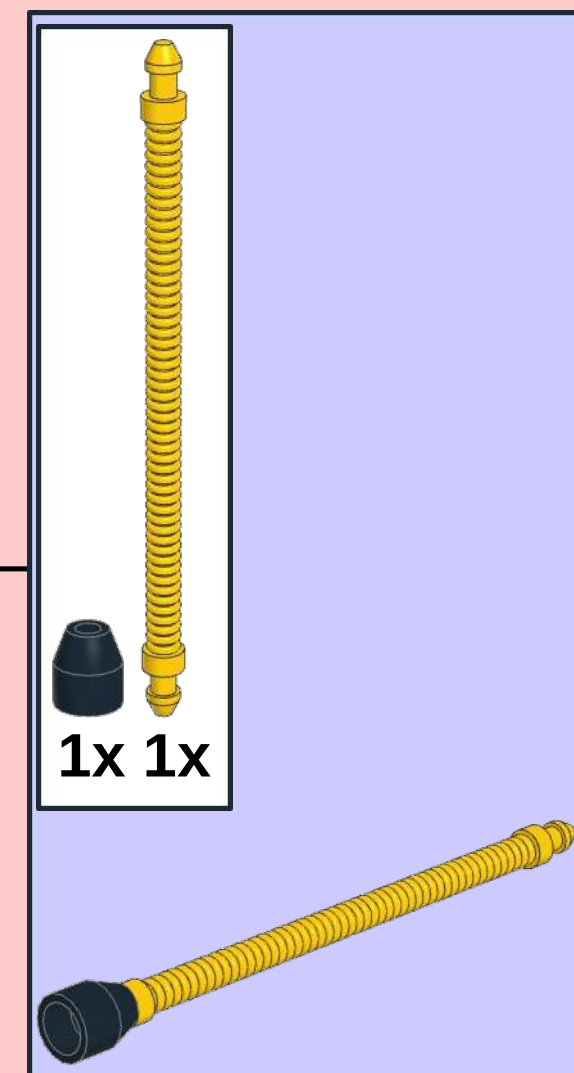
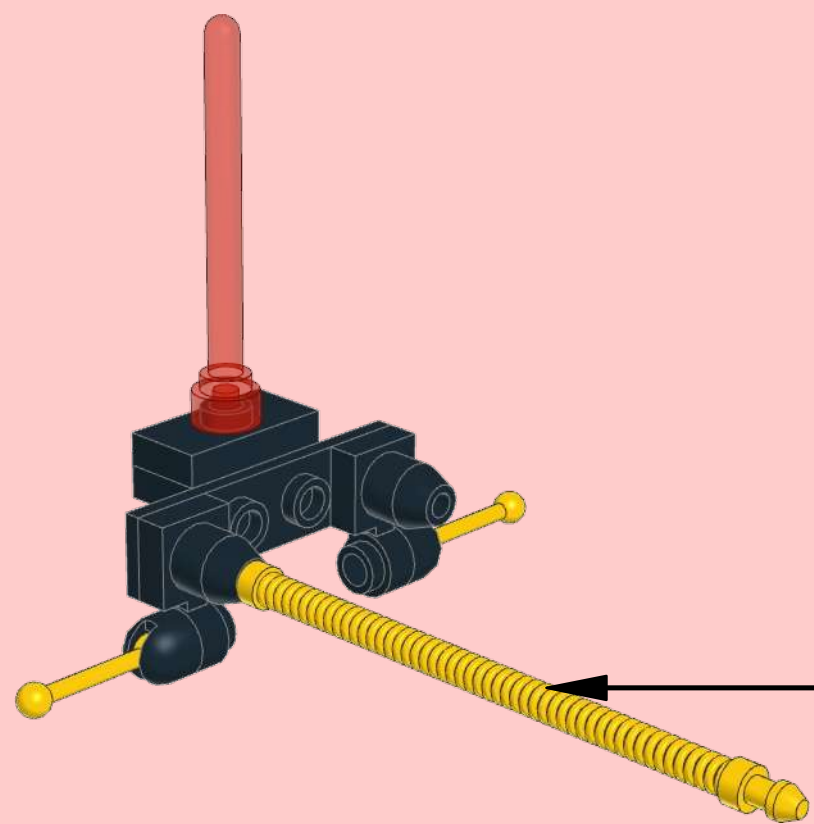
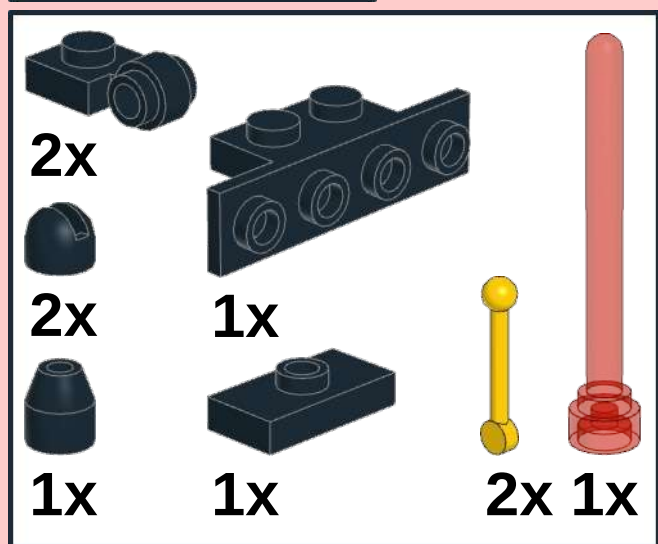
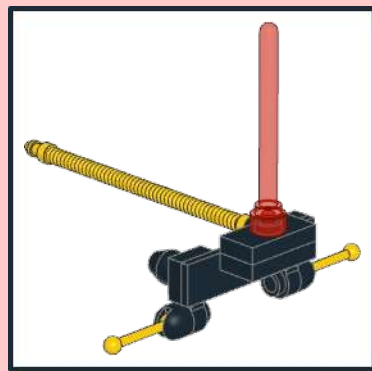


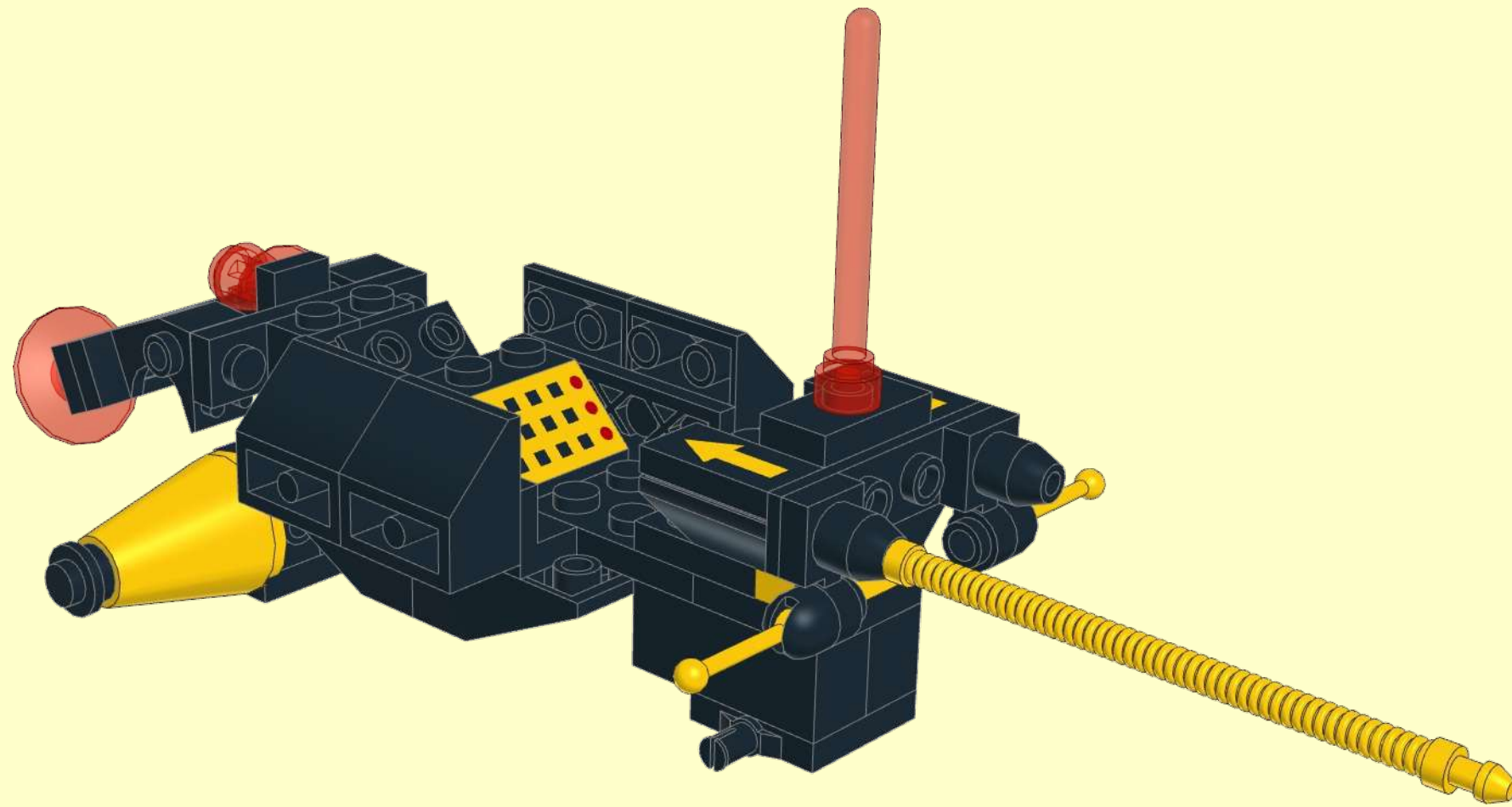
9



10

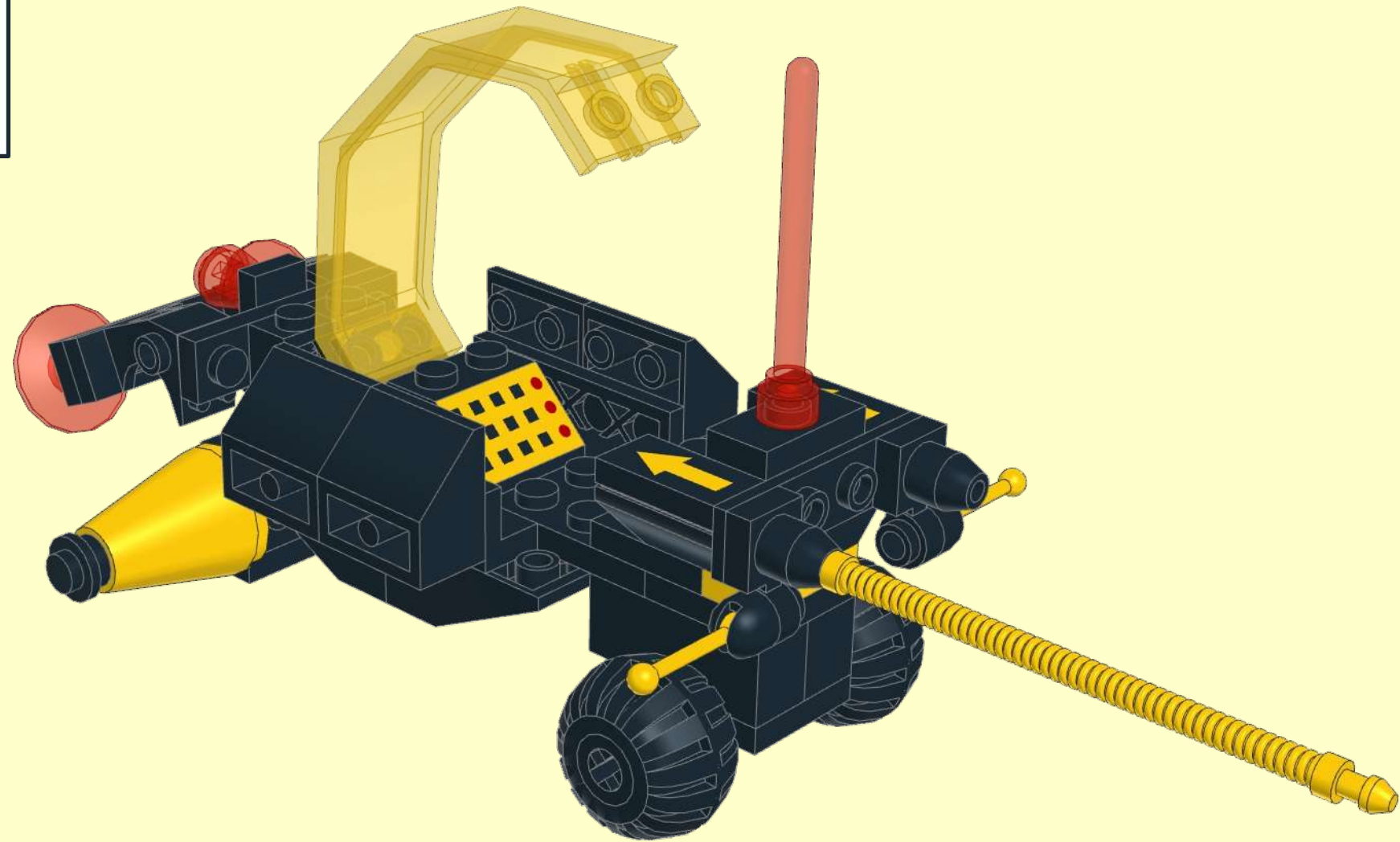
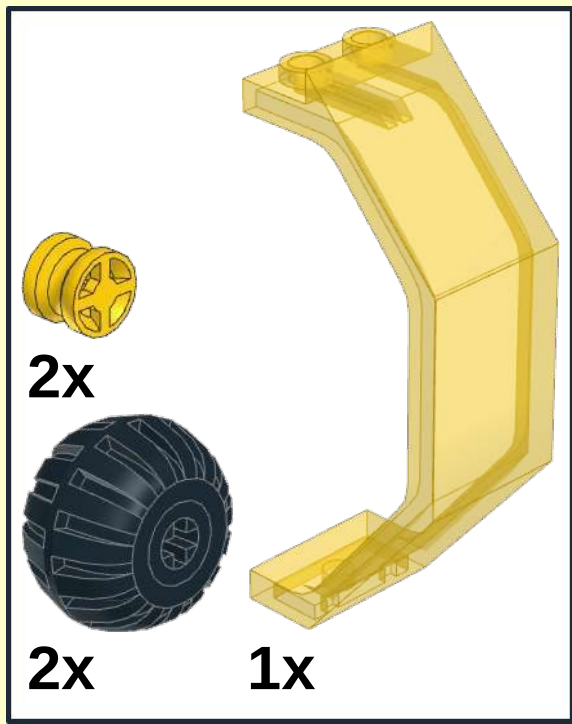




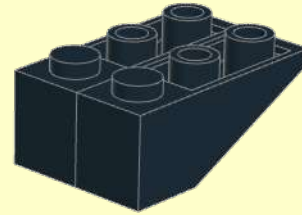
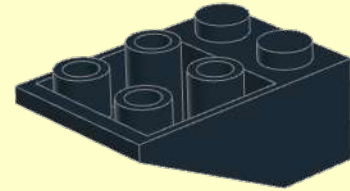
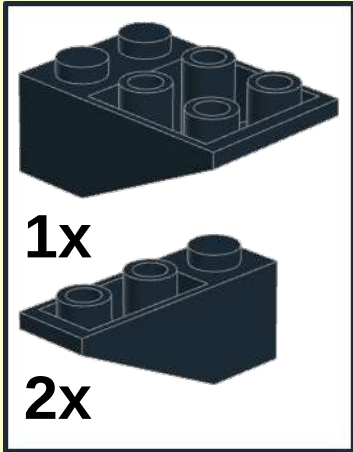
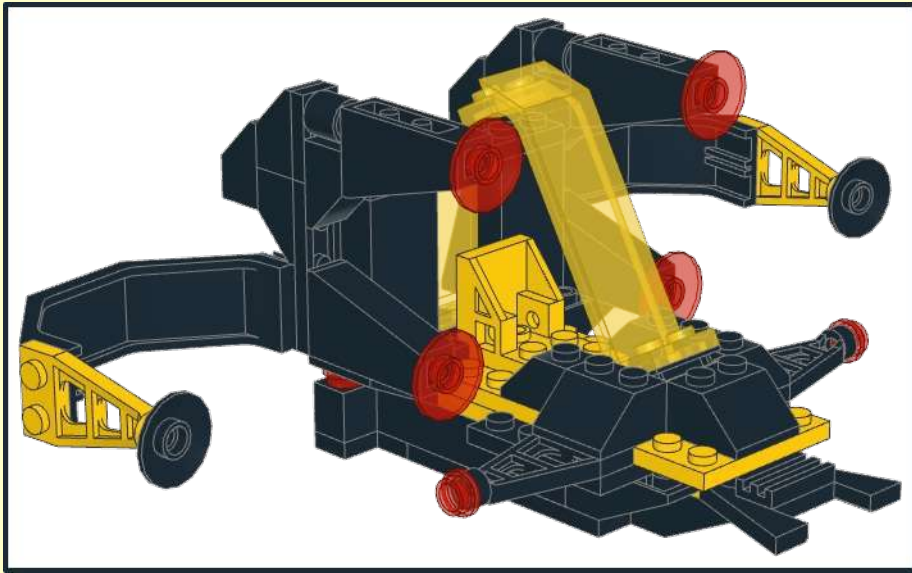




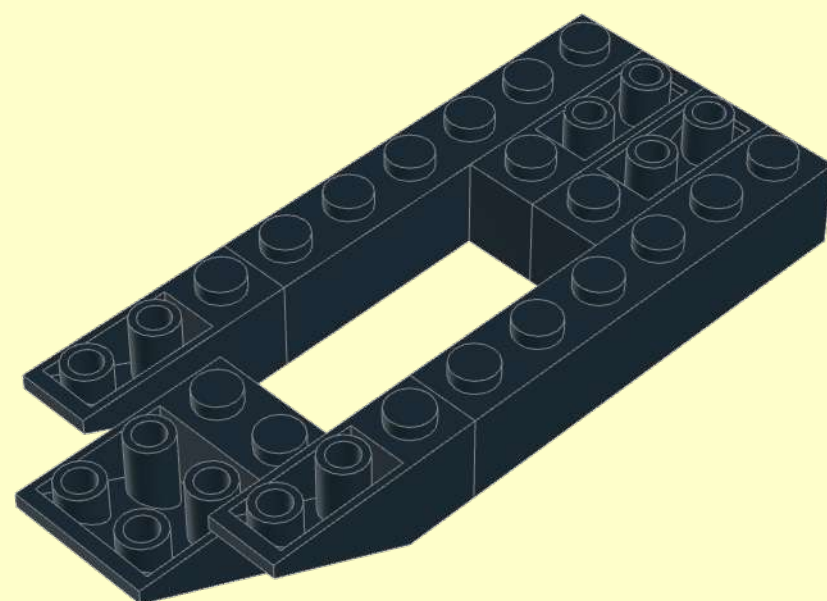
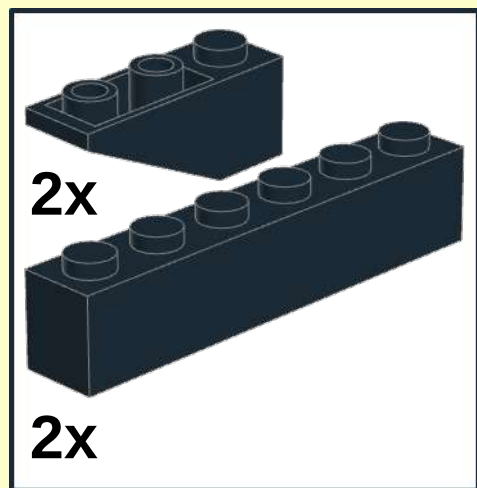
12



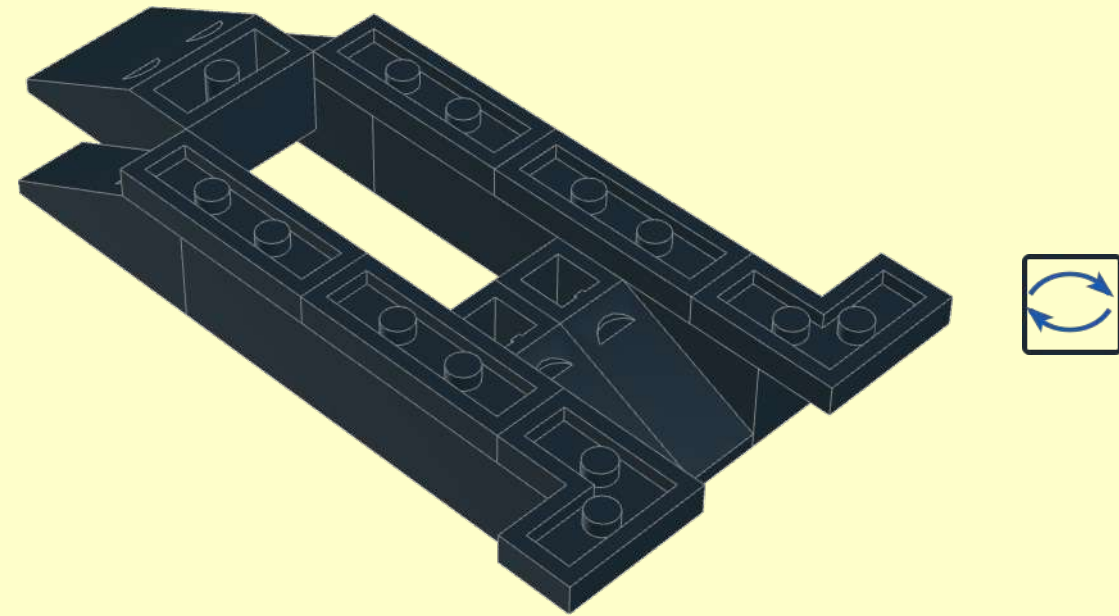
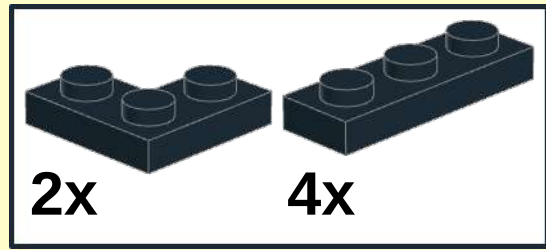
1



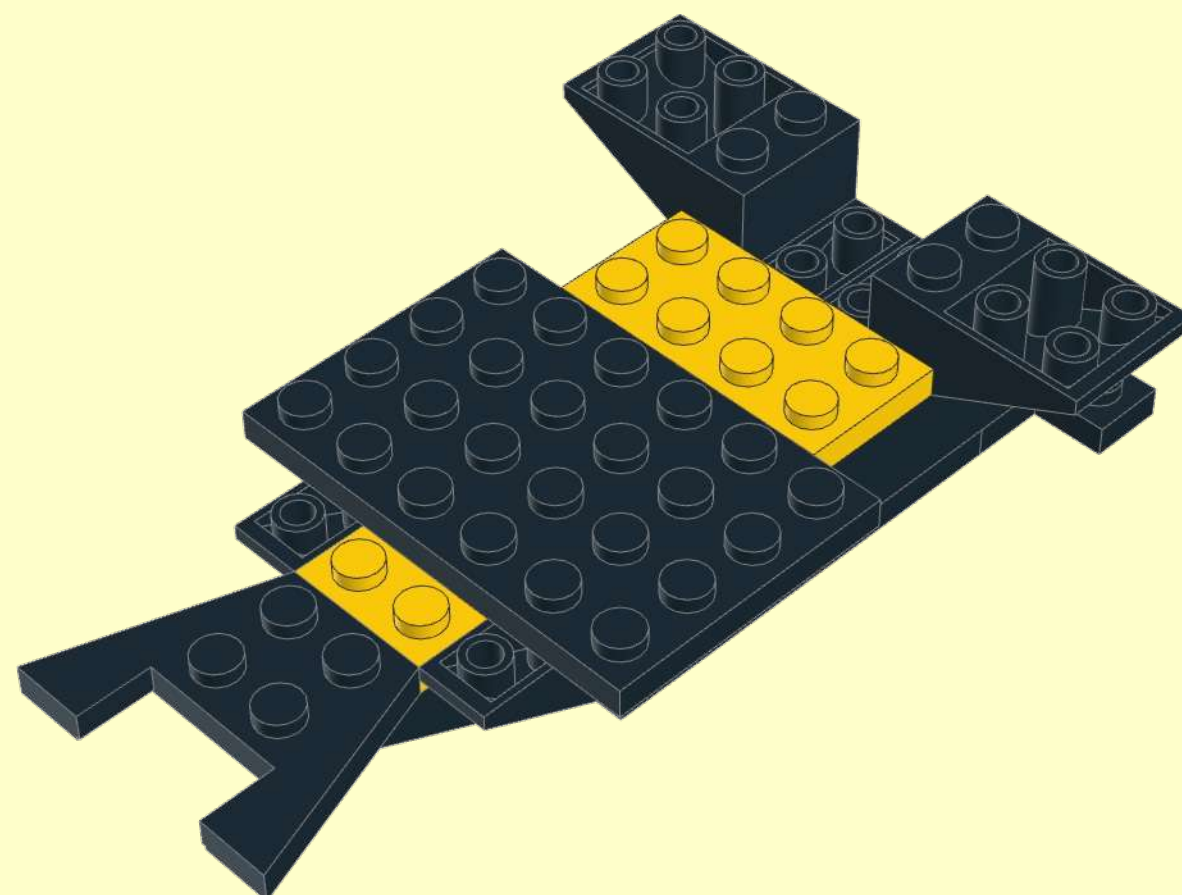
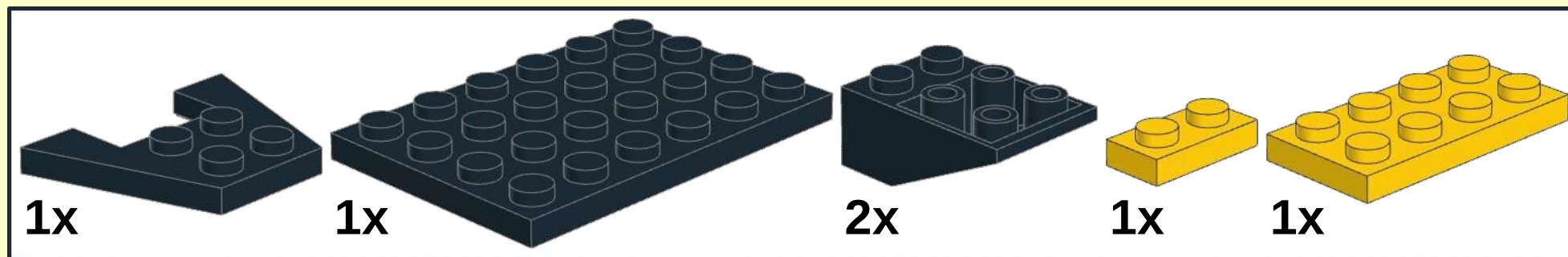
2



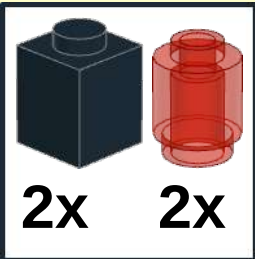
3



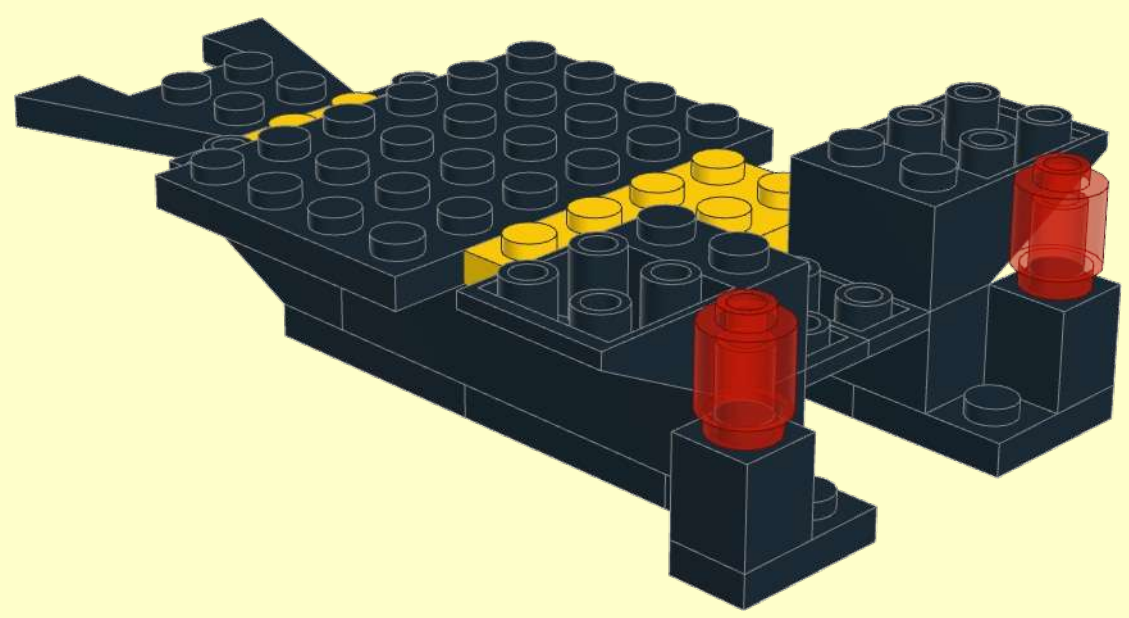
4

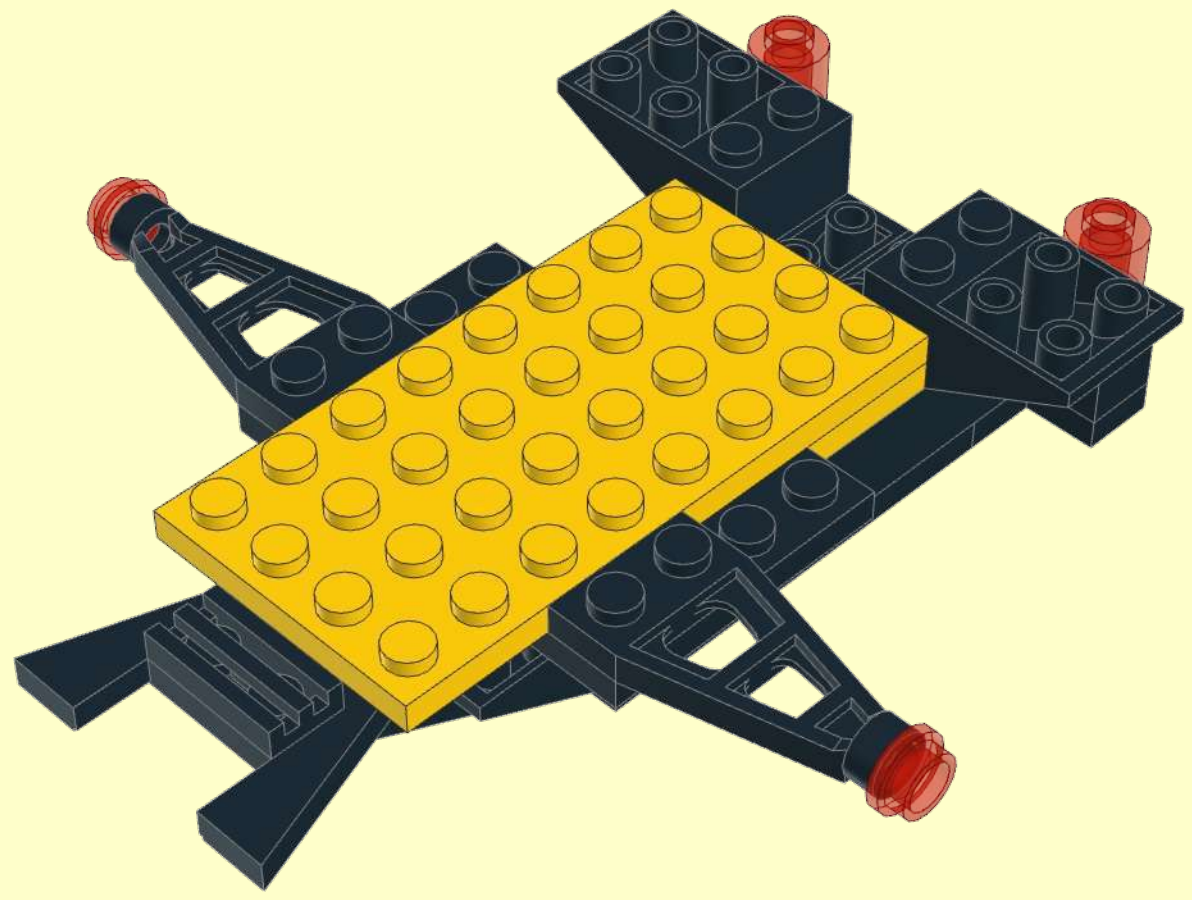
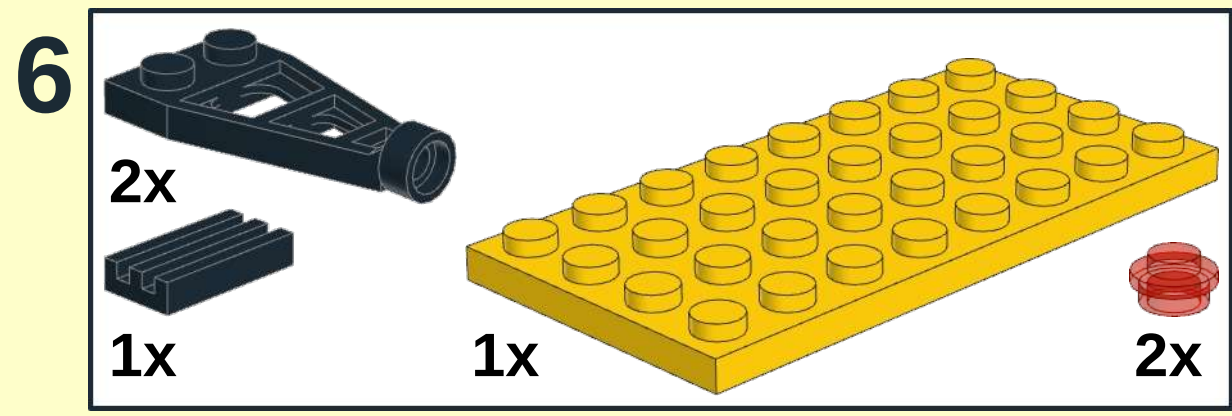


5

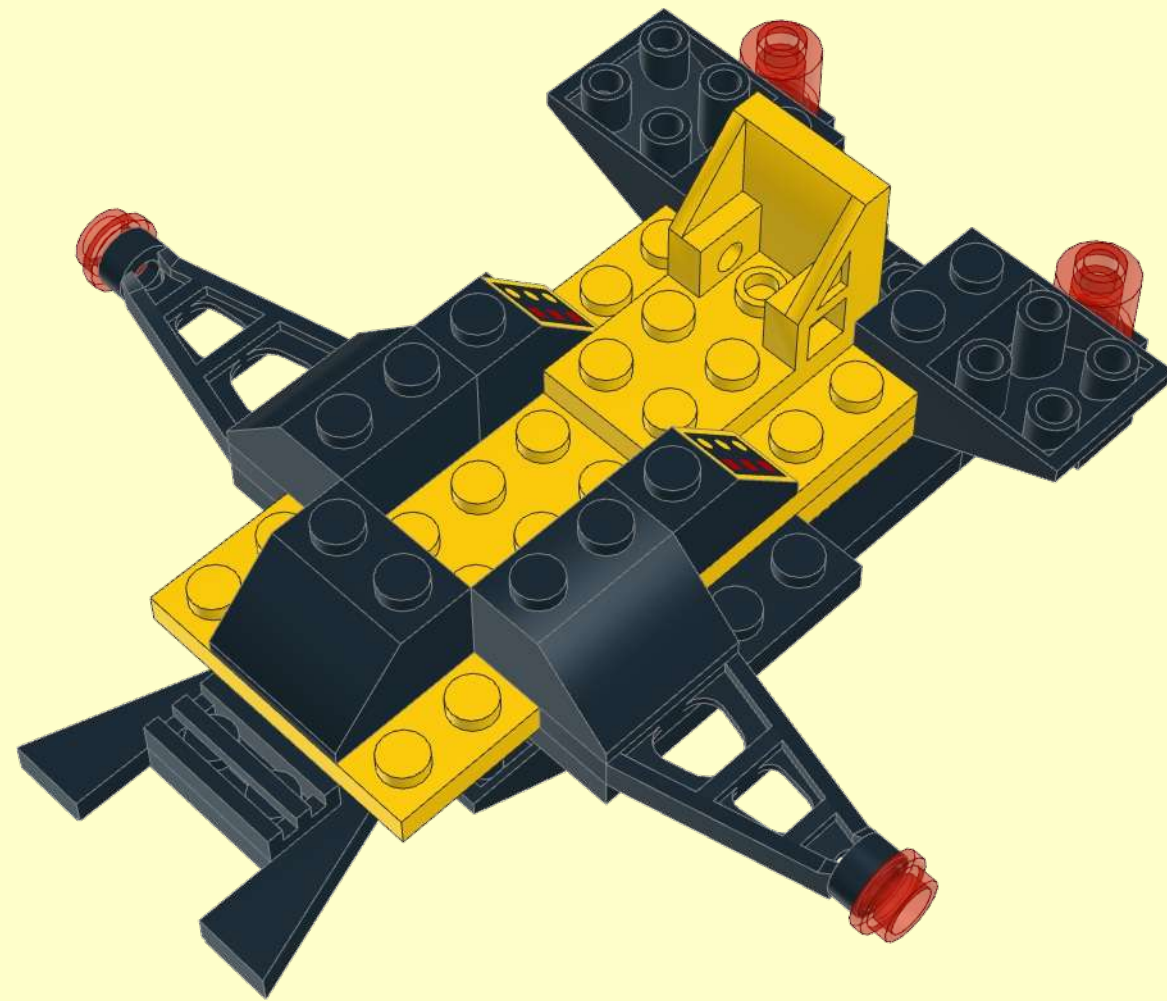
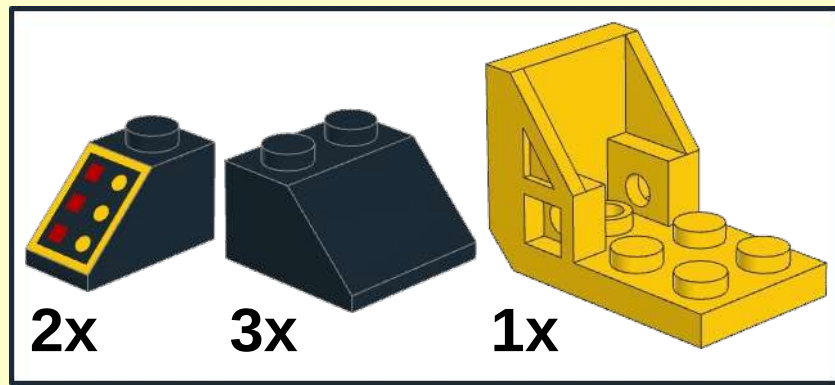


2x 2x

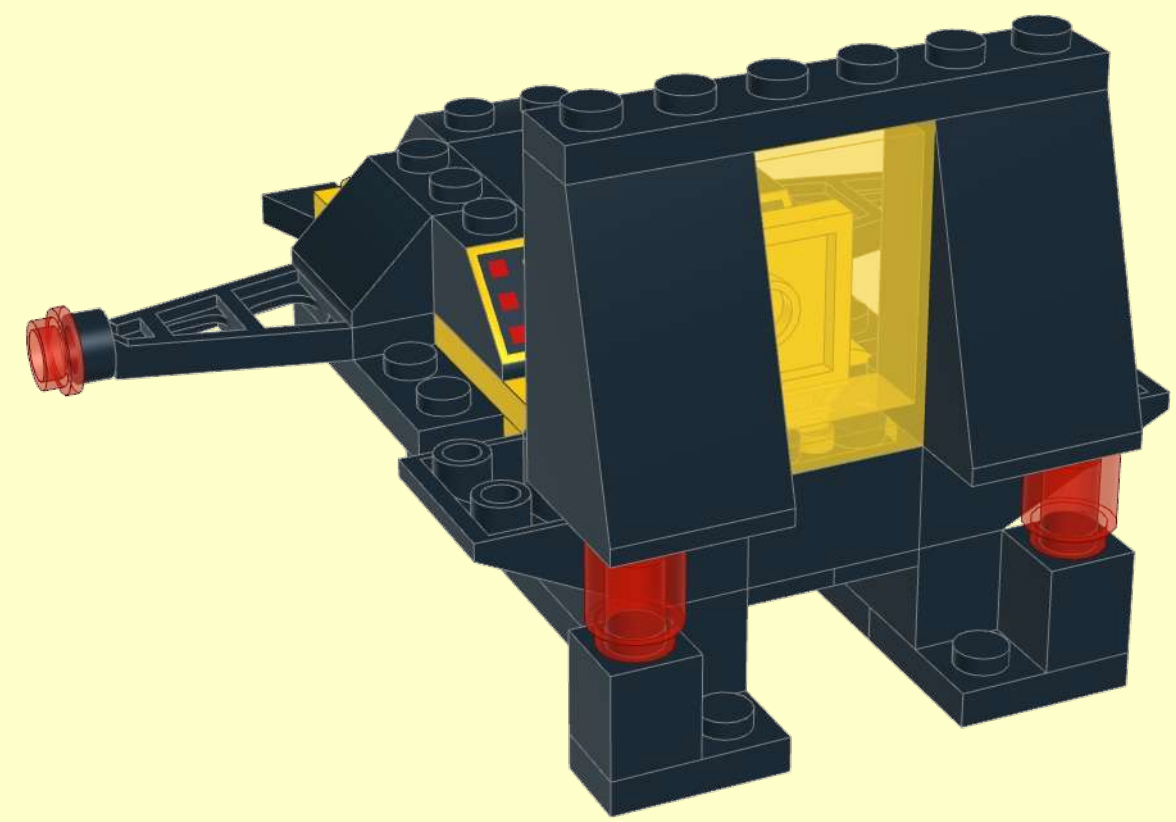
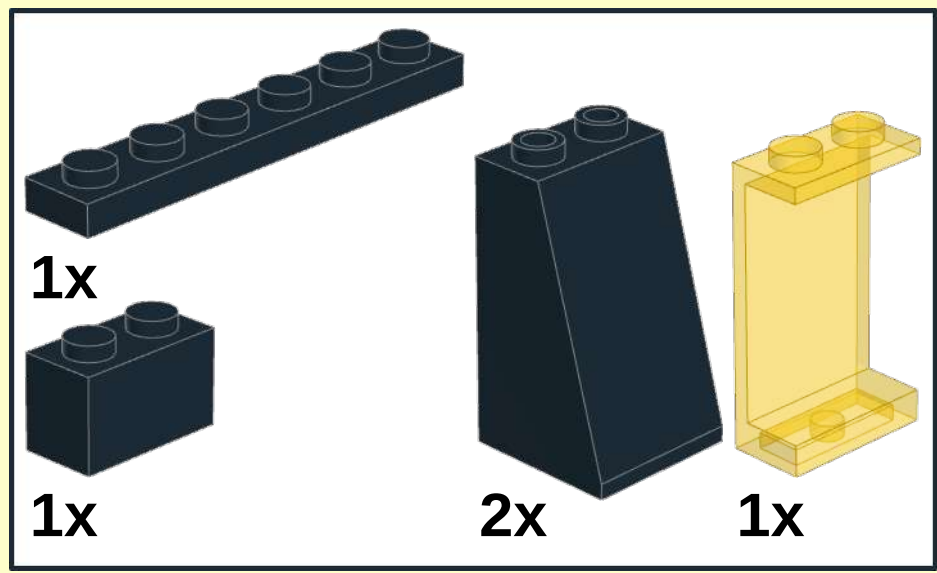


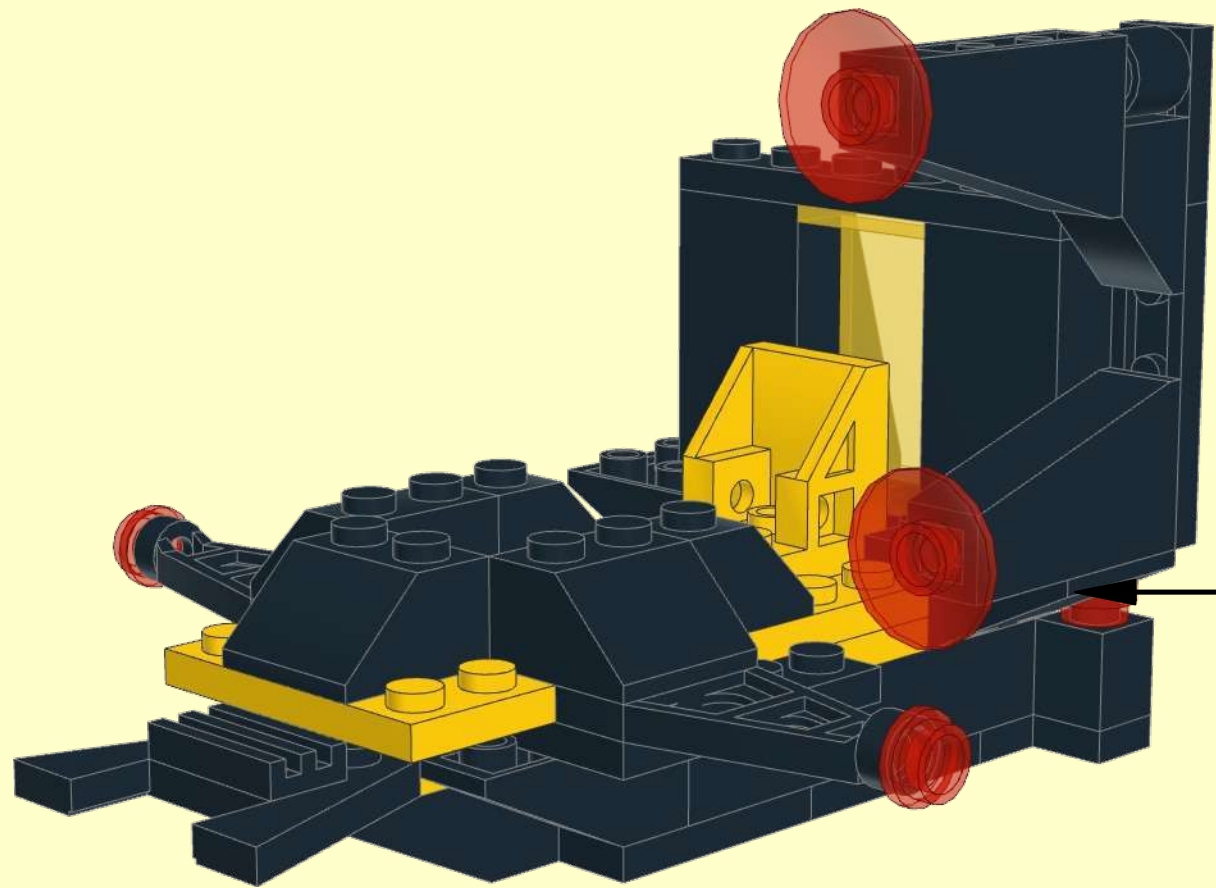


7



8





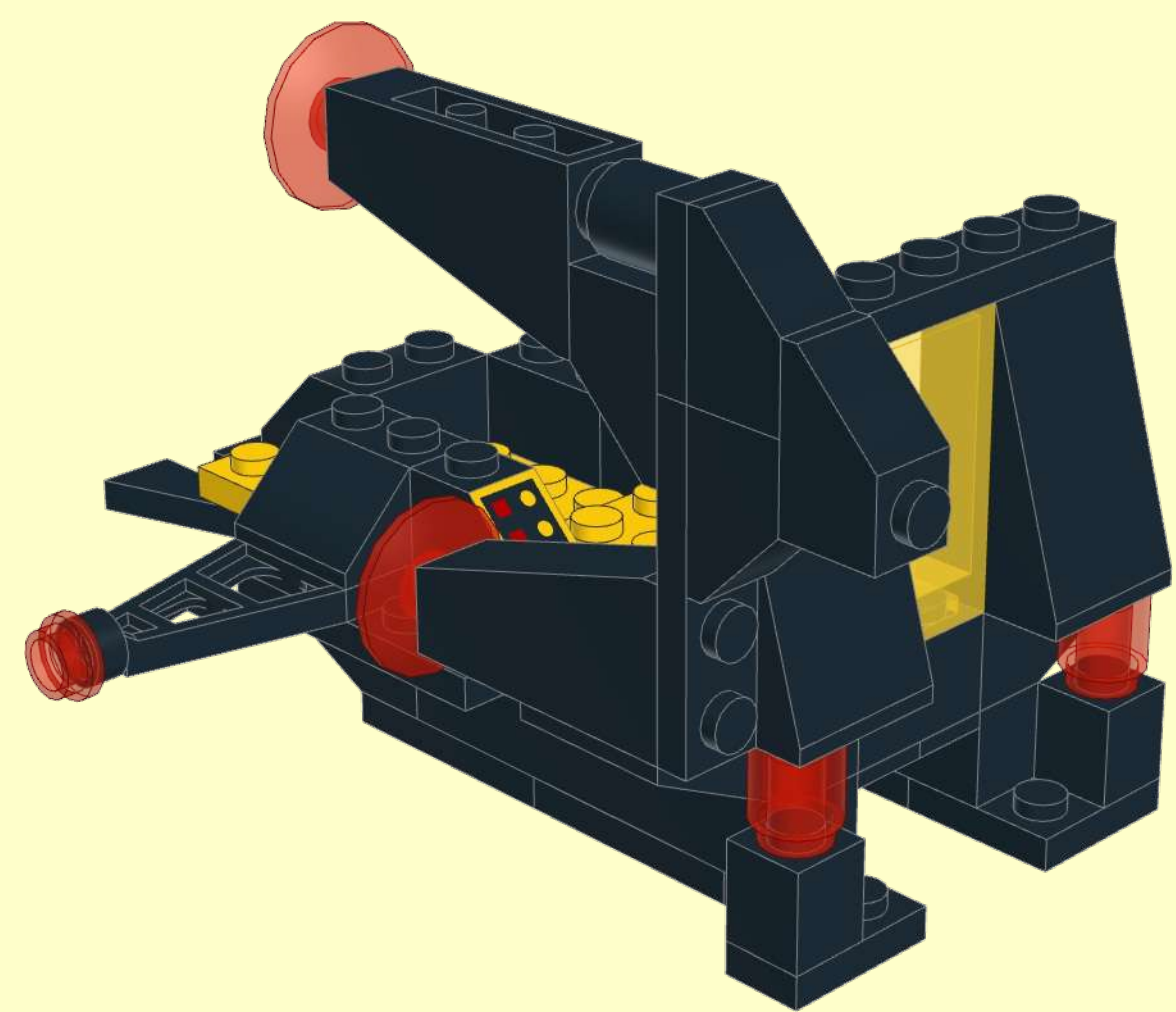
Parts list:

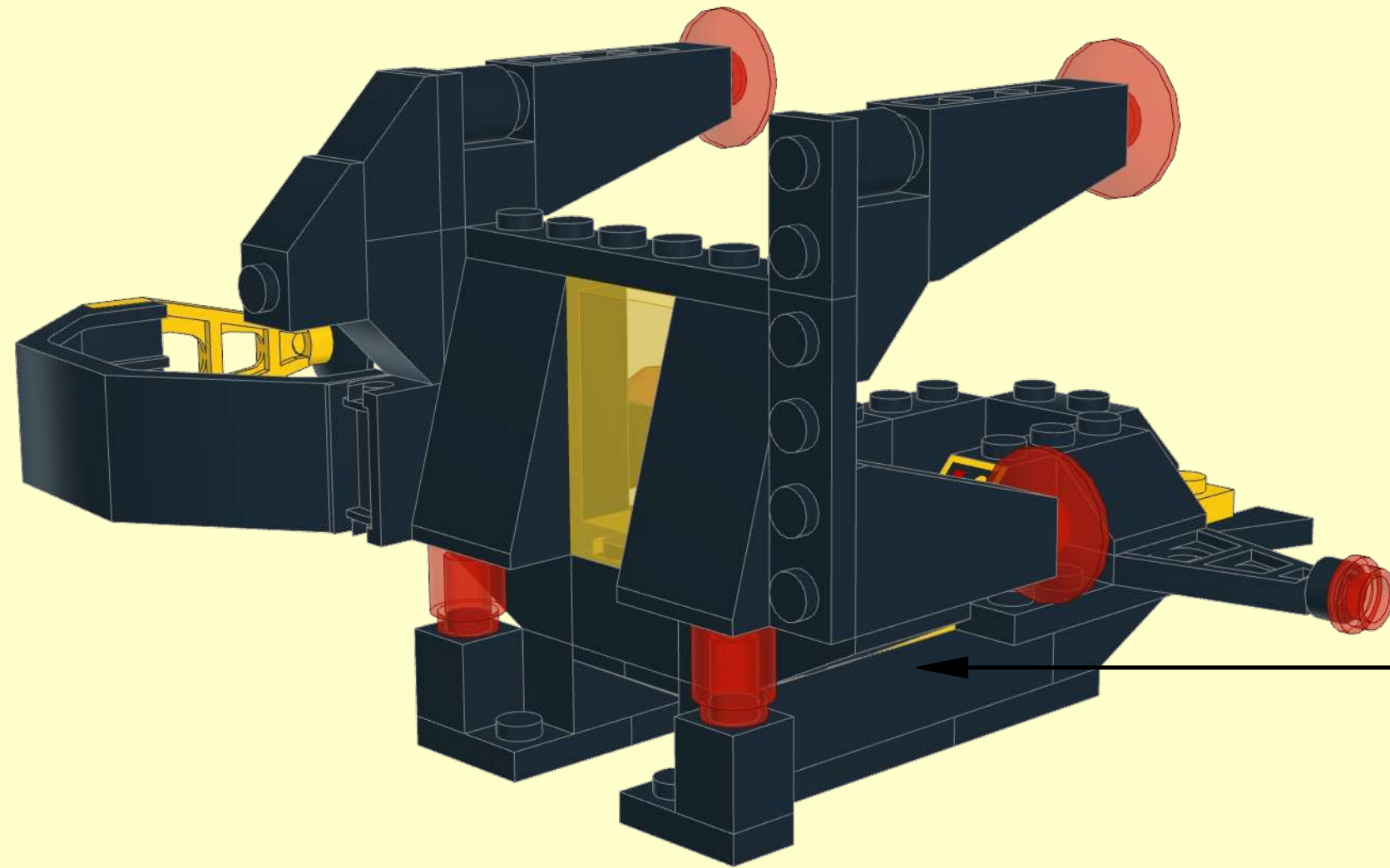
- 1x 1x dark grey Technic pin
- 1x 1x dark grey Technic brick with 2 holes
- 1x 2x dark grey Technic brick with 4 holes
- 2x 2x dark grey Technic brick with 2 holes
- 1x 1x dark grey Technic brick with 2 holes
- 2x 1x dark grey Technic brick with 2 holes
- 1x red translucent circular piece

Assembly diagrams:

The bottom section of the callout box shows two diagrams illustrating the placement of the red translucent circular pieces. The top diagram shows the piece being inserted into a hole on the side of a dark grey Technic brick. The bottom diagram shows the piece being inserted into a hole on the side of a dark grey Technic brick that is already attached to a larger structure.

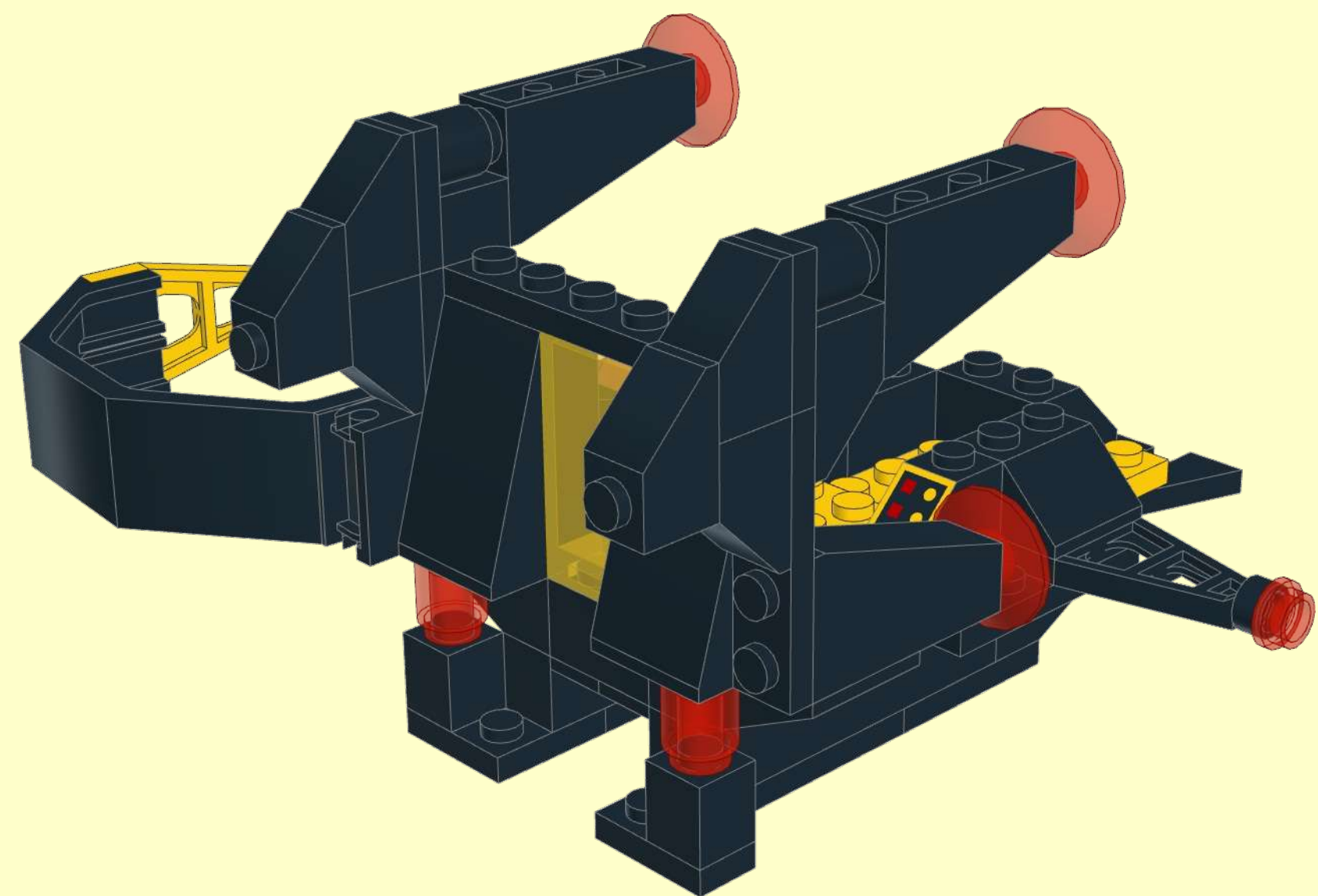
10

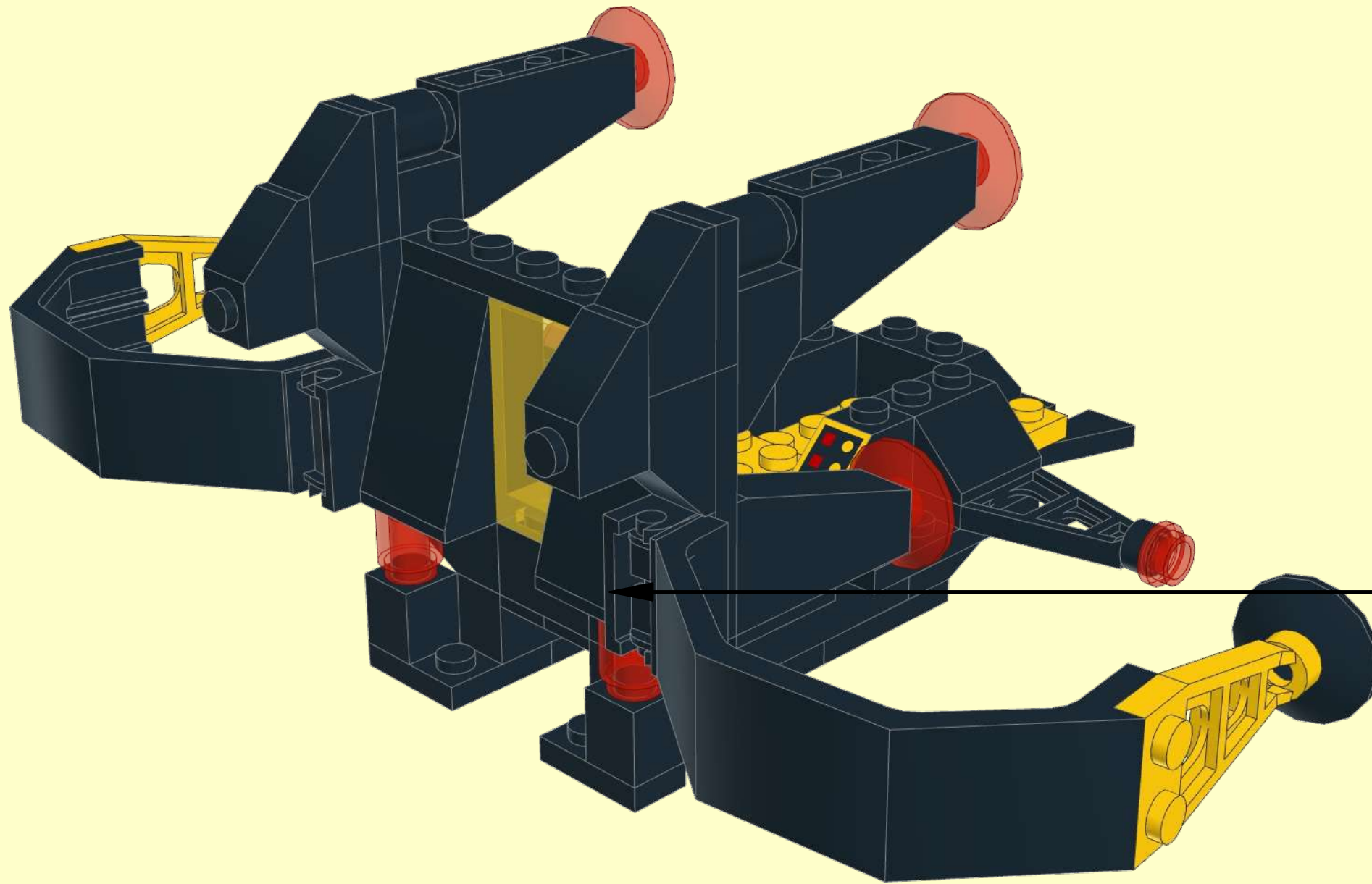


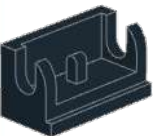



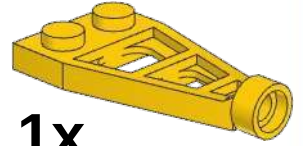


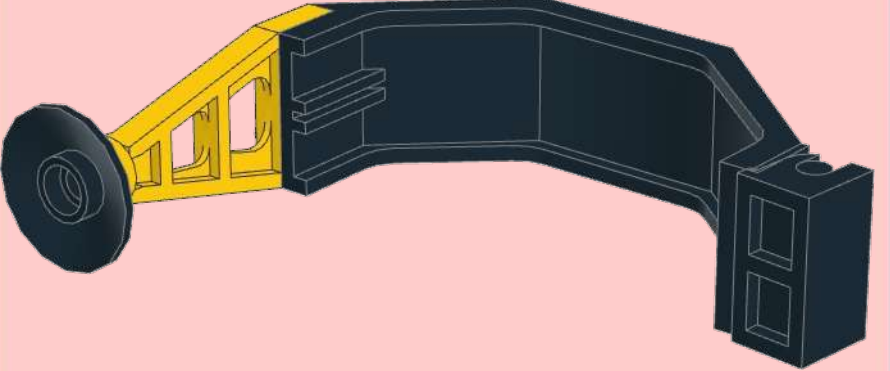
1x	2x	
1x	1x	2x
1x	1x	

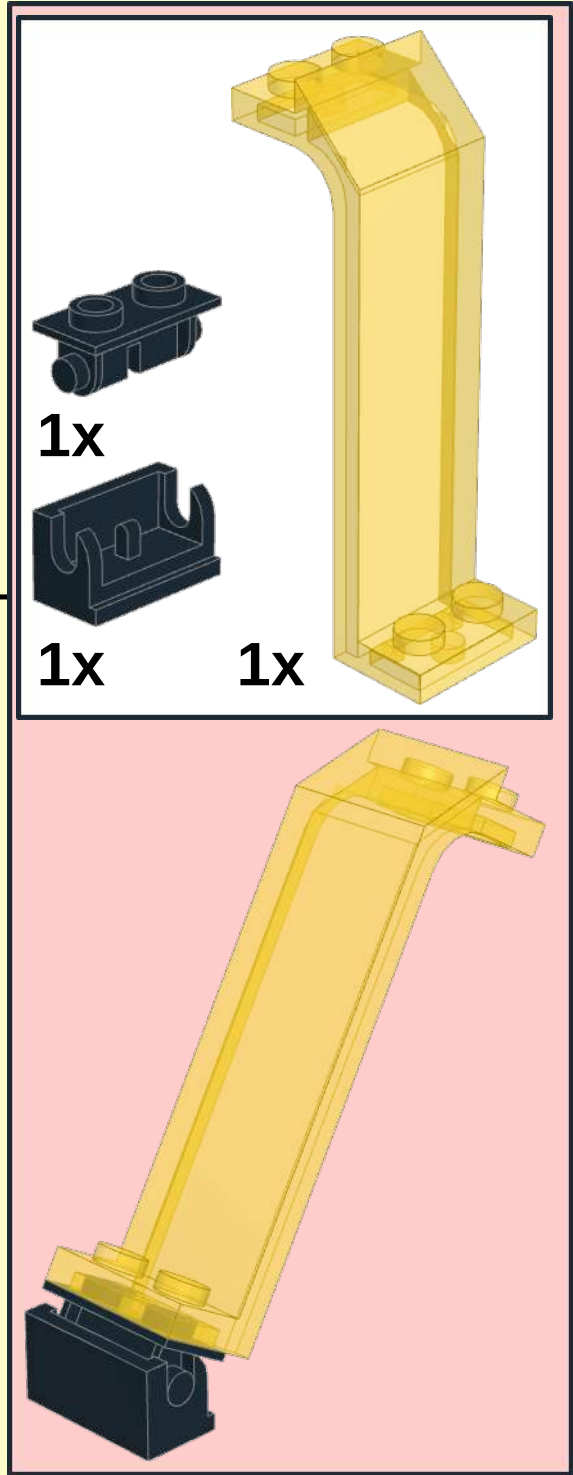
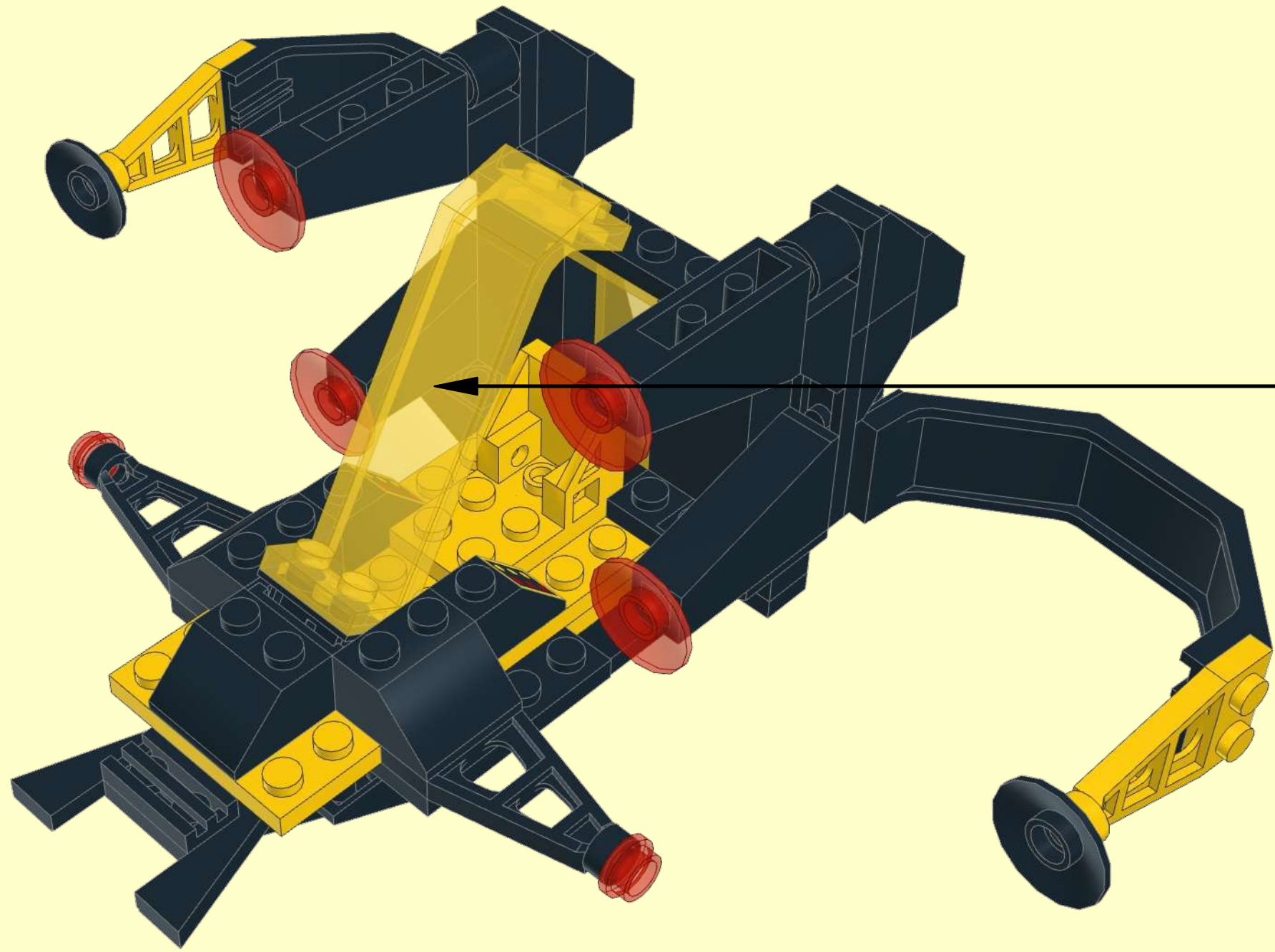
13



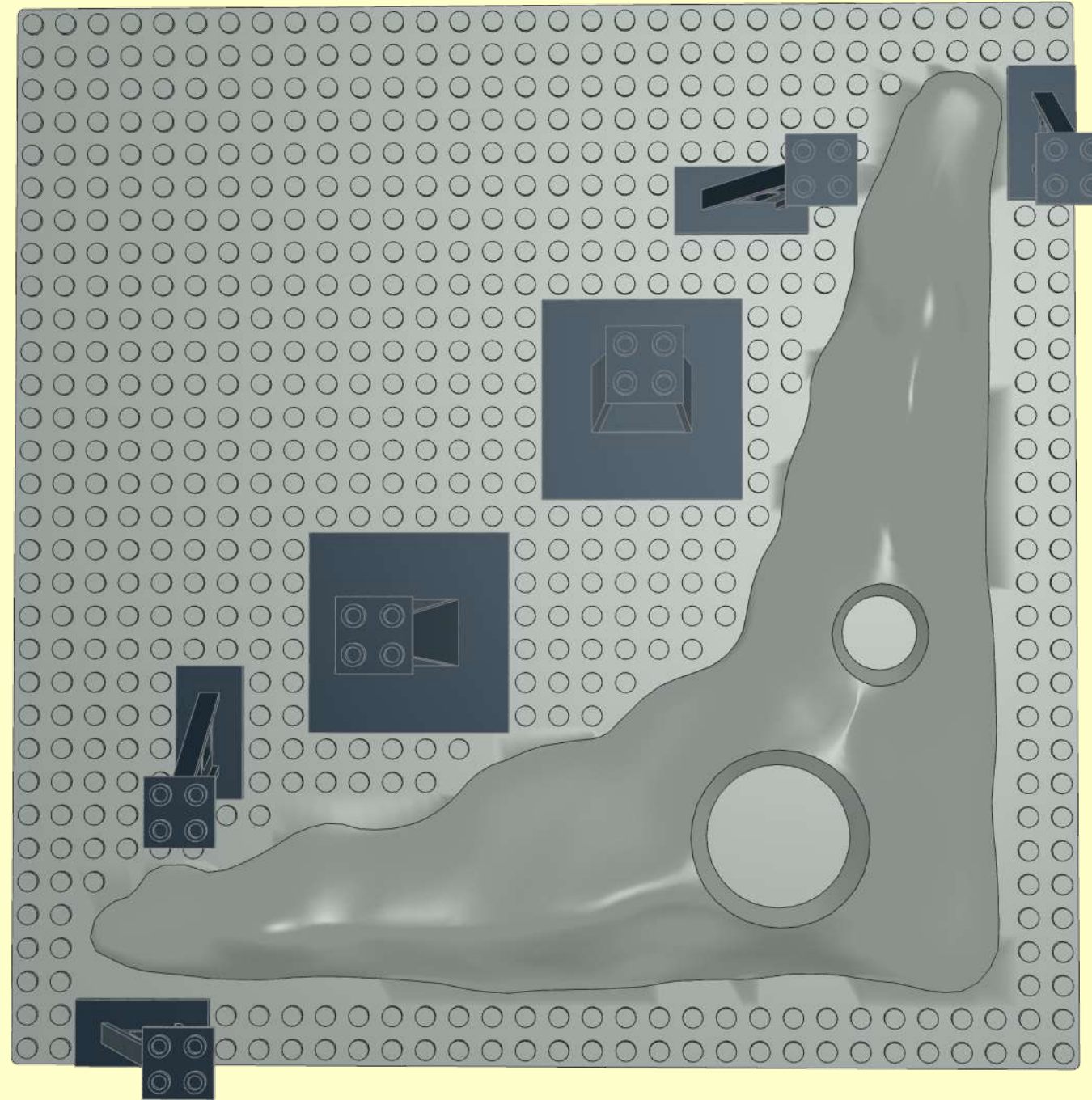
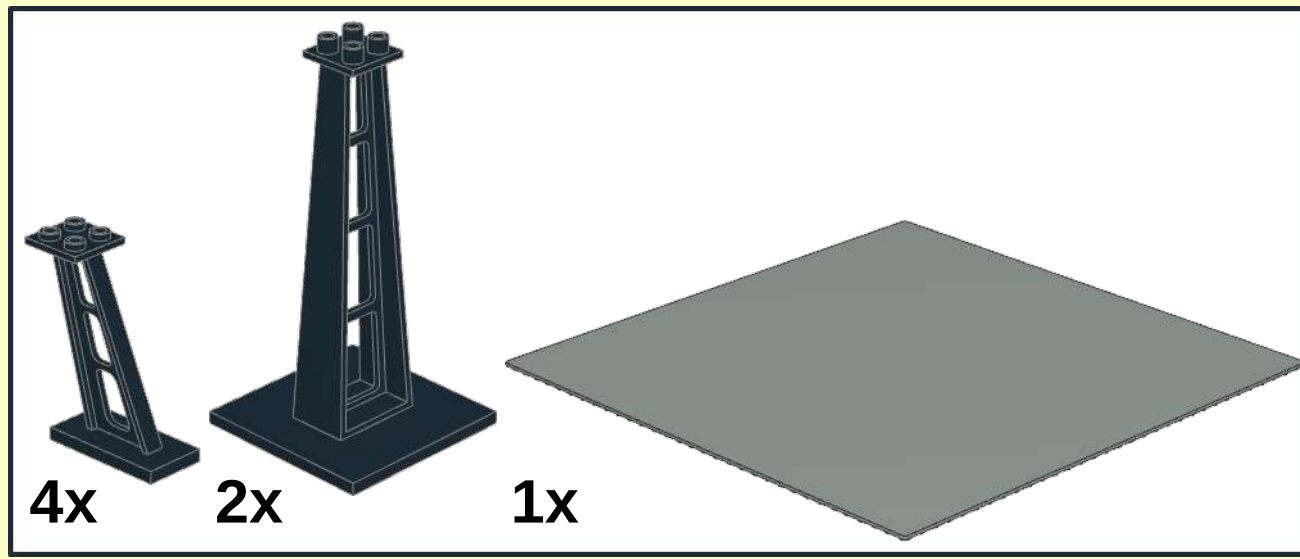
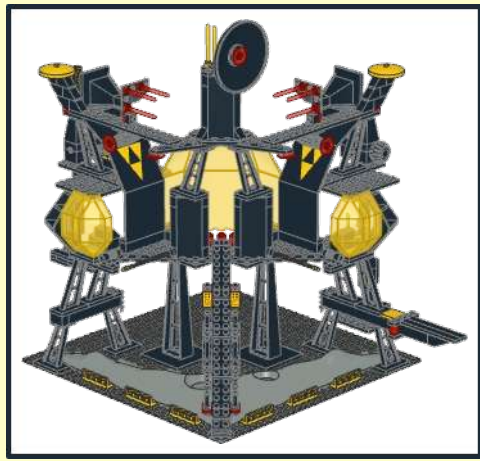


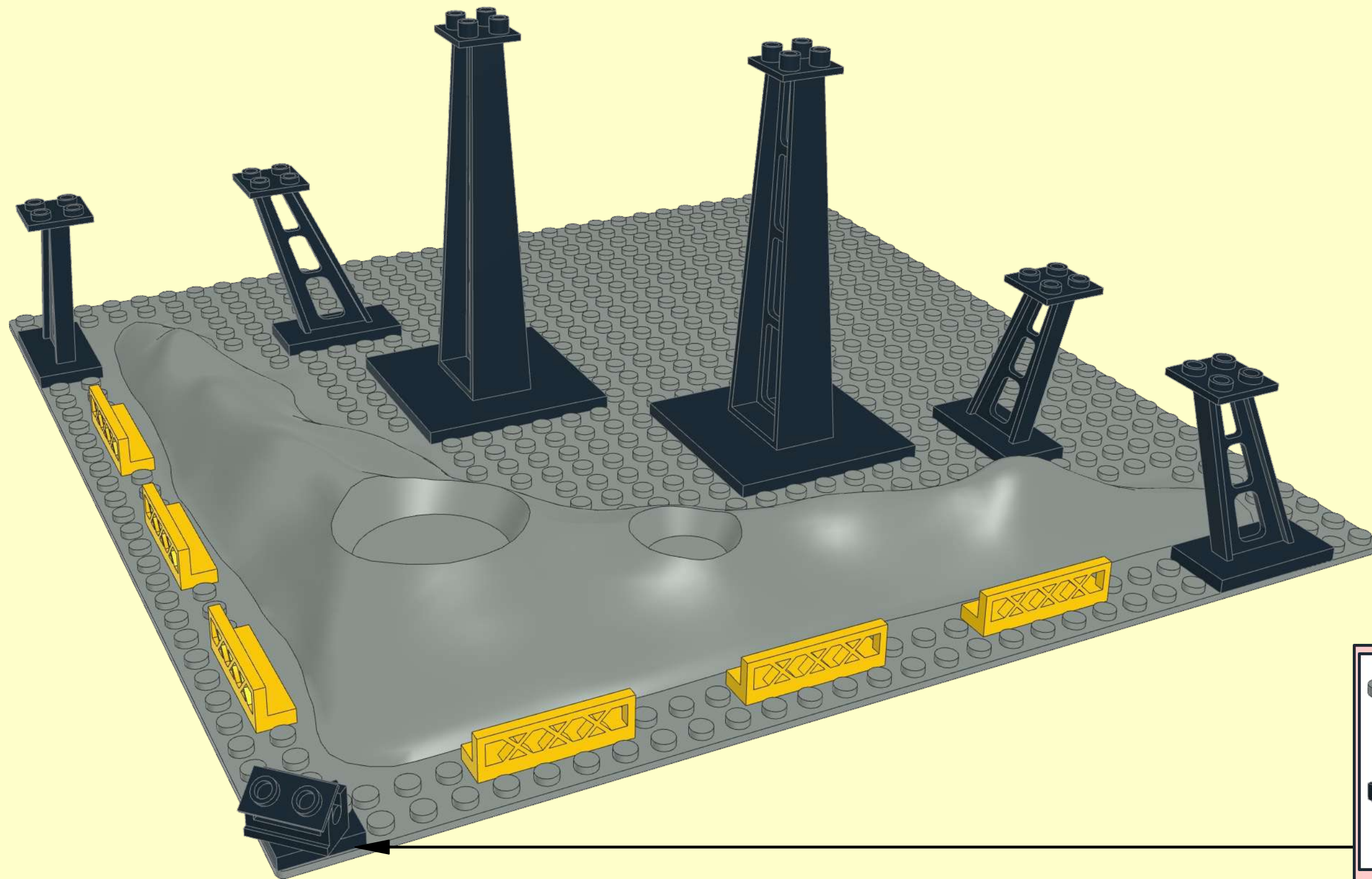
		
1x		
		
1x		
		
1x	1x	1x
		






1

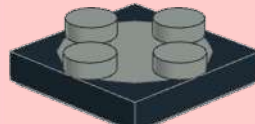
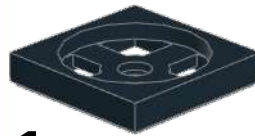




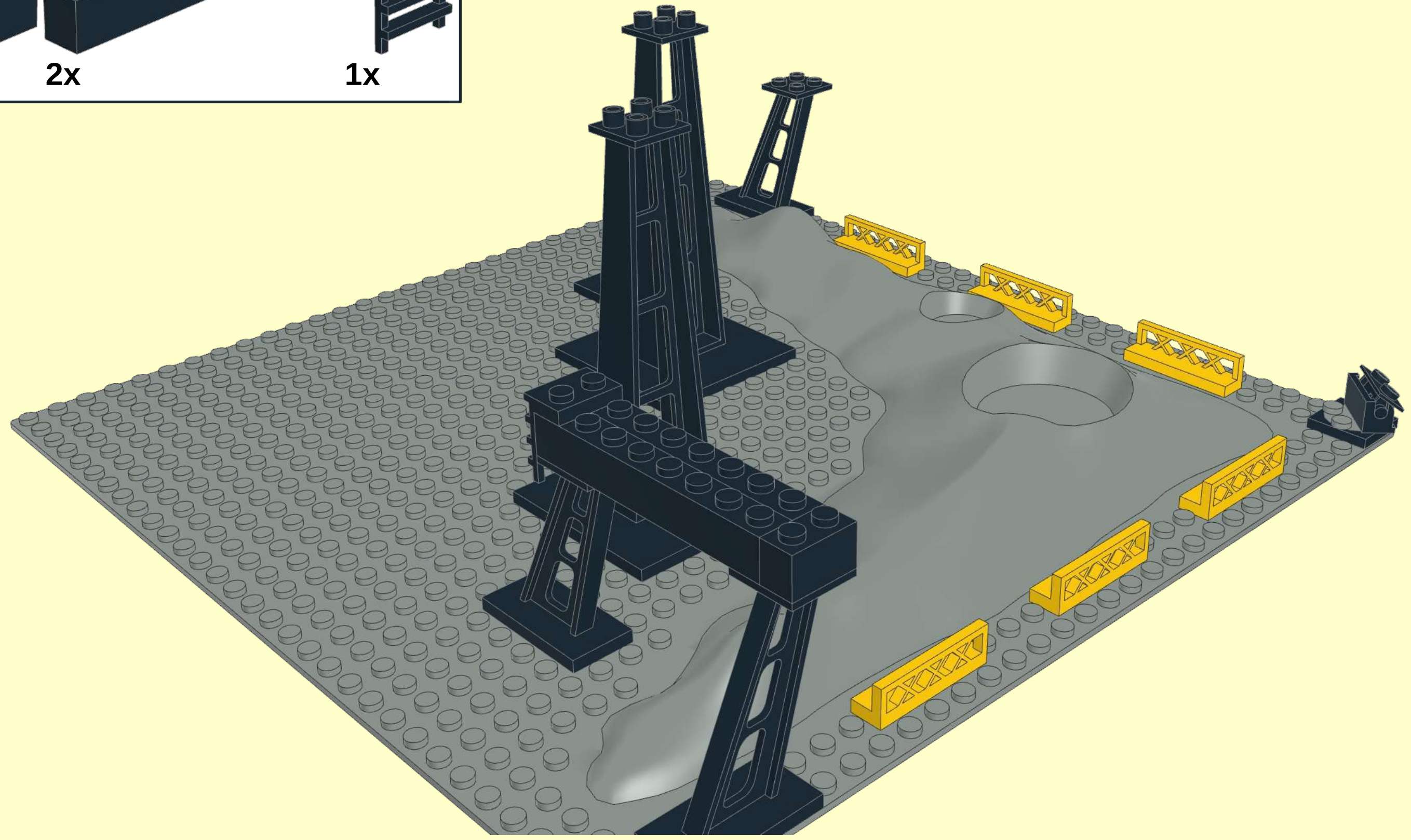
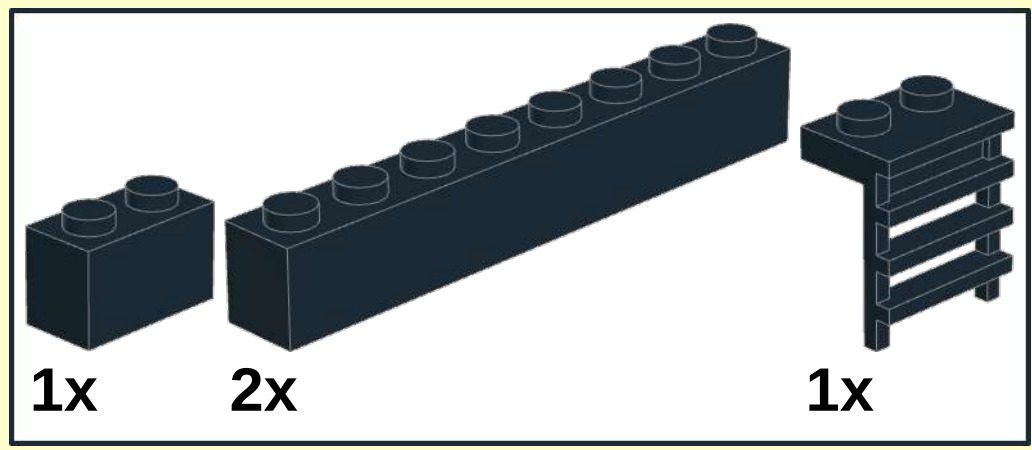
1x



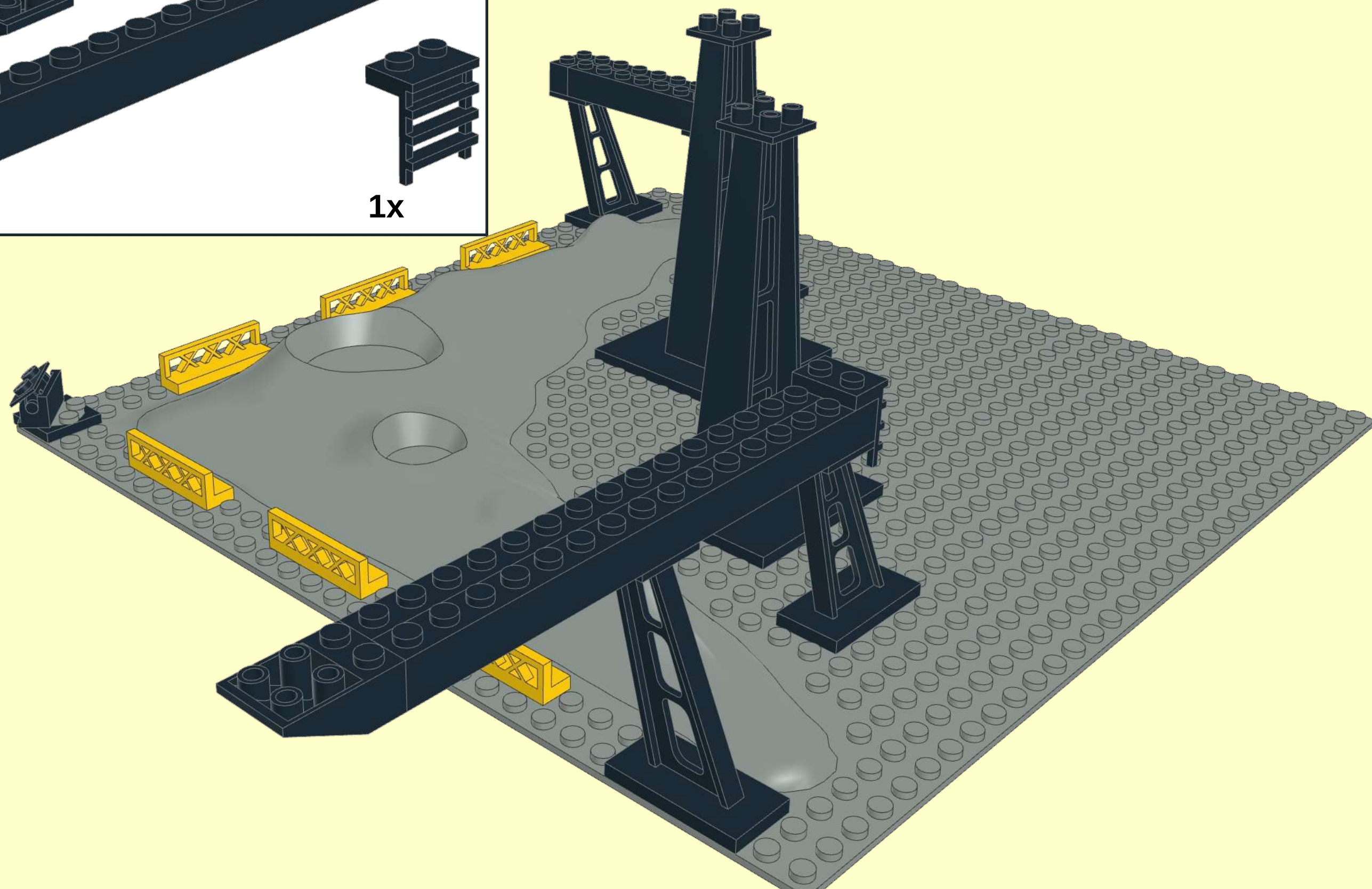
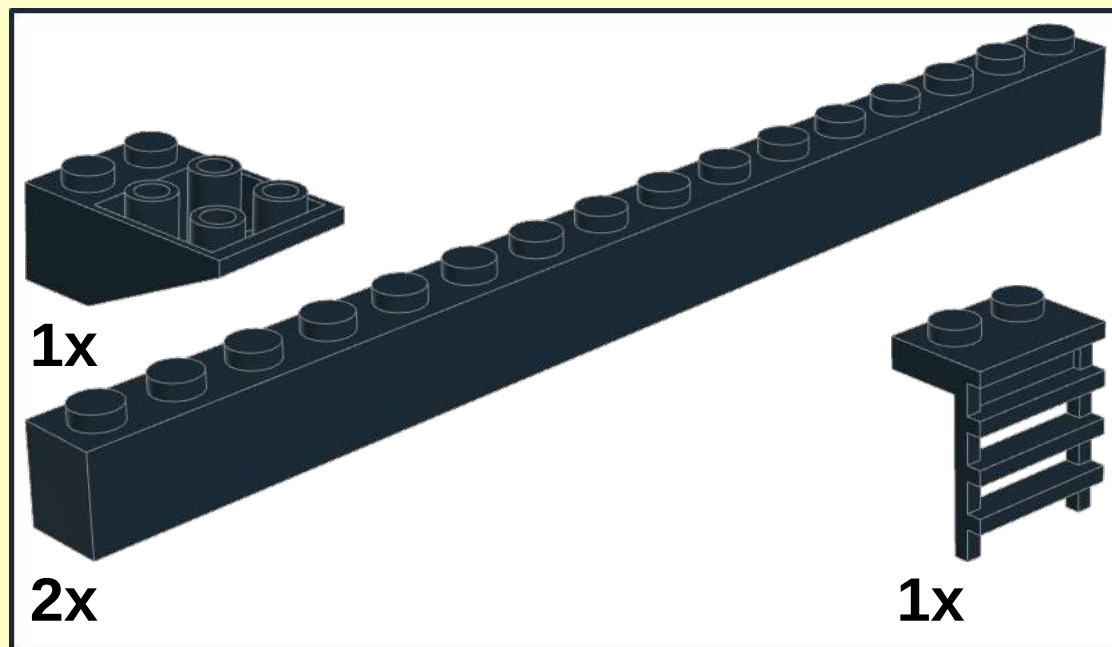
1x



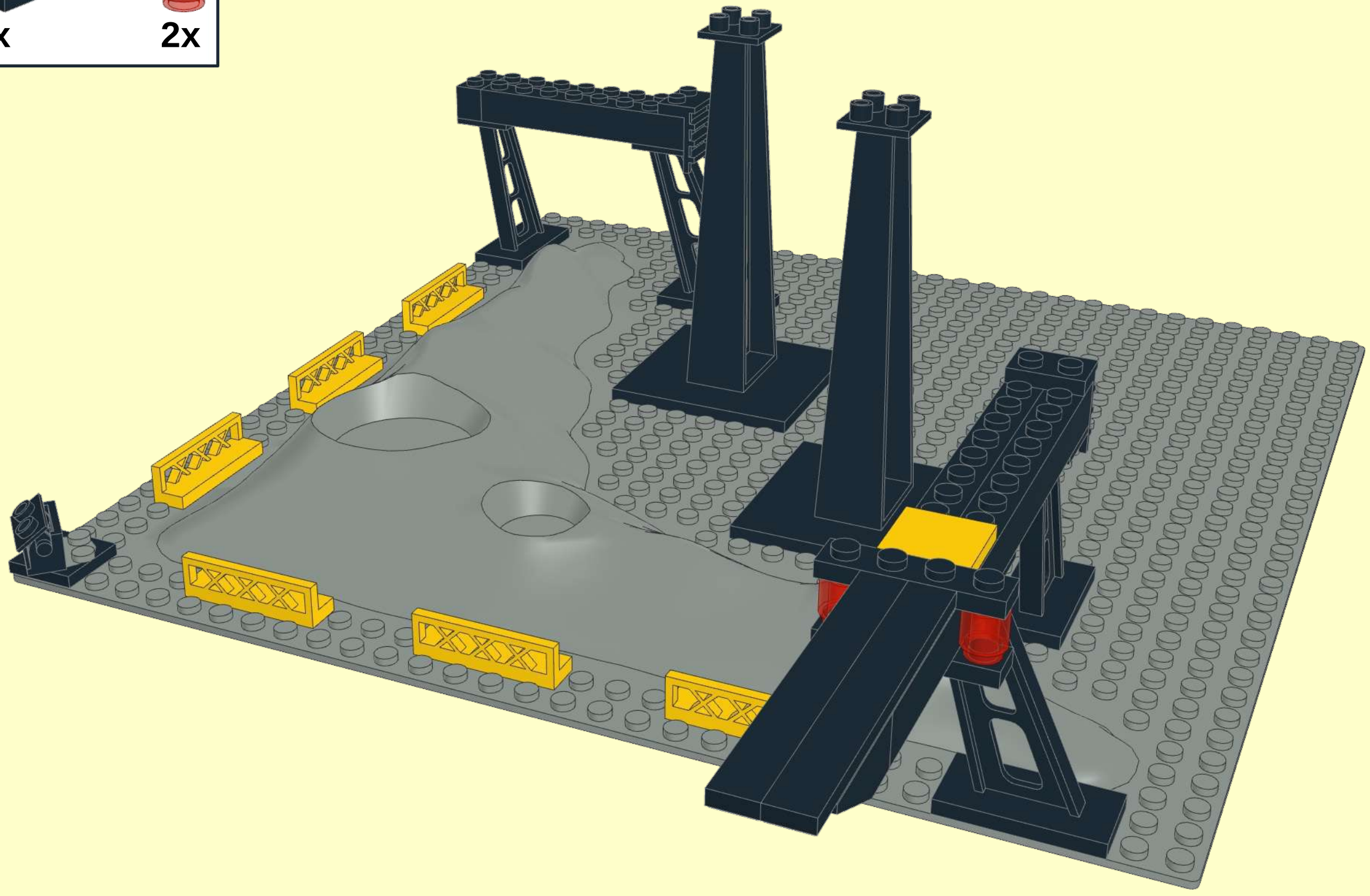
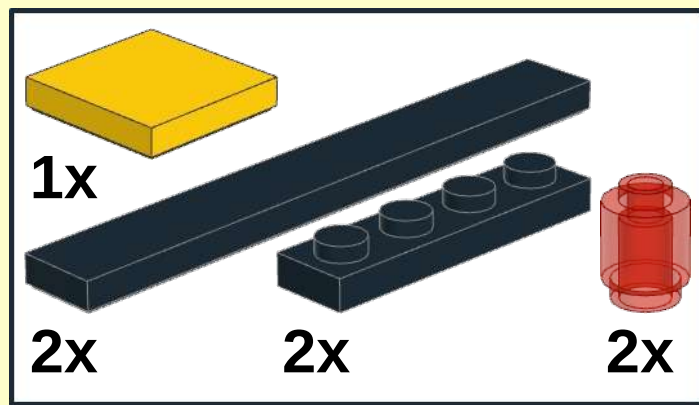
3



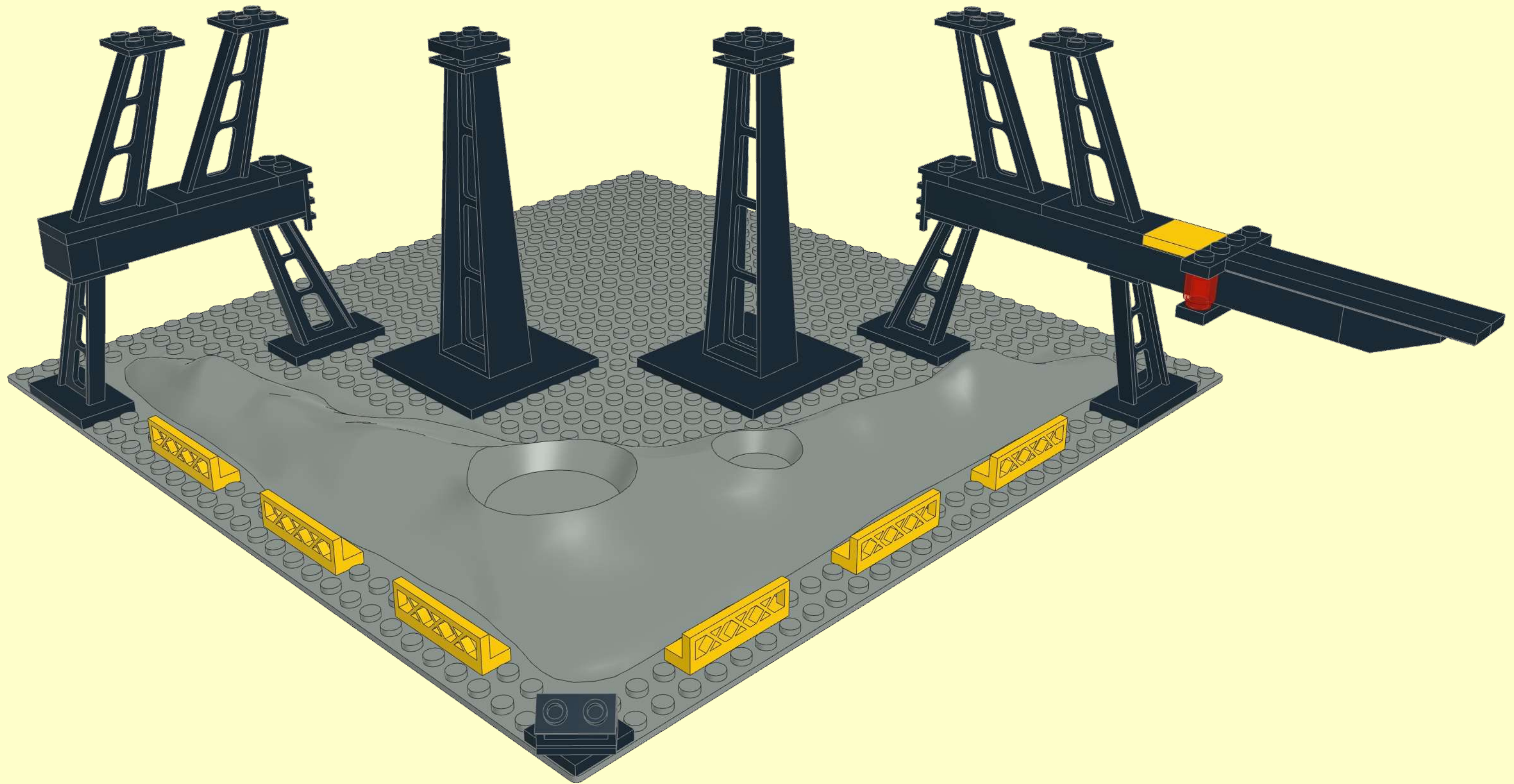
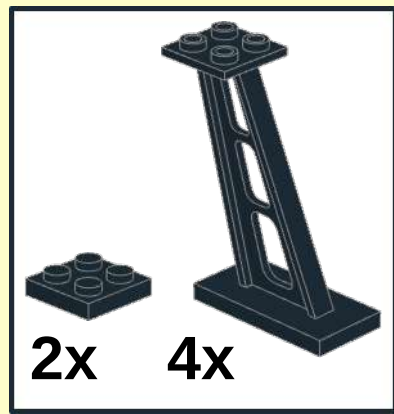
4



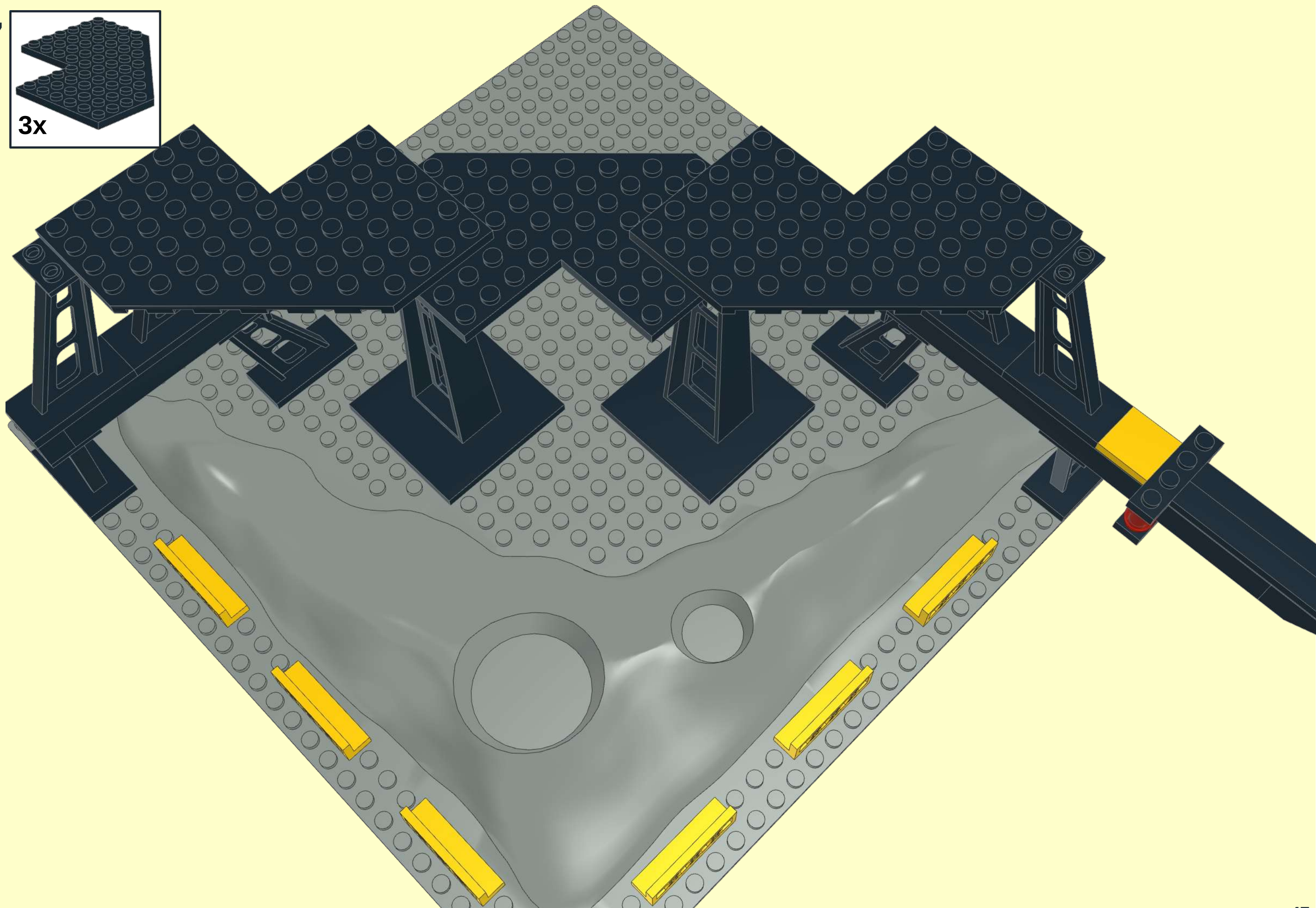
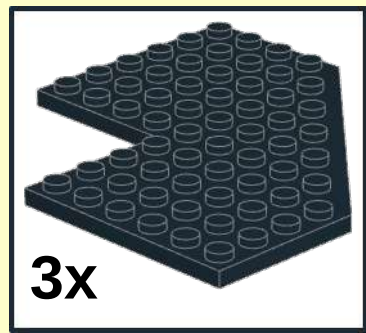
5



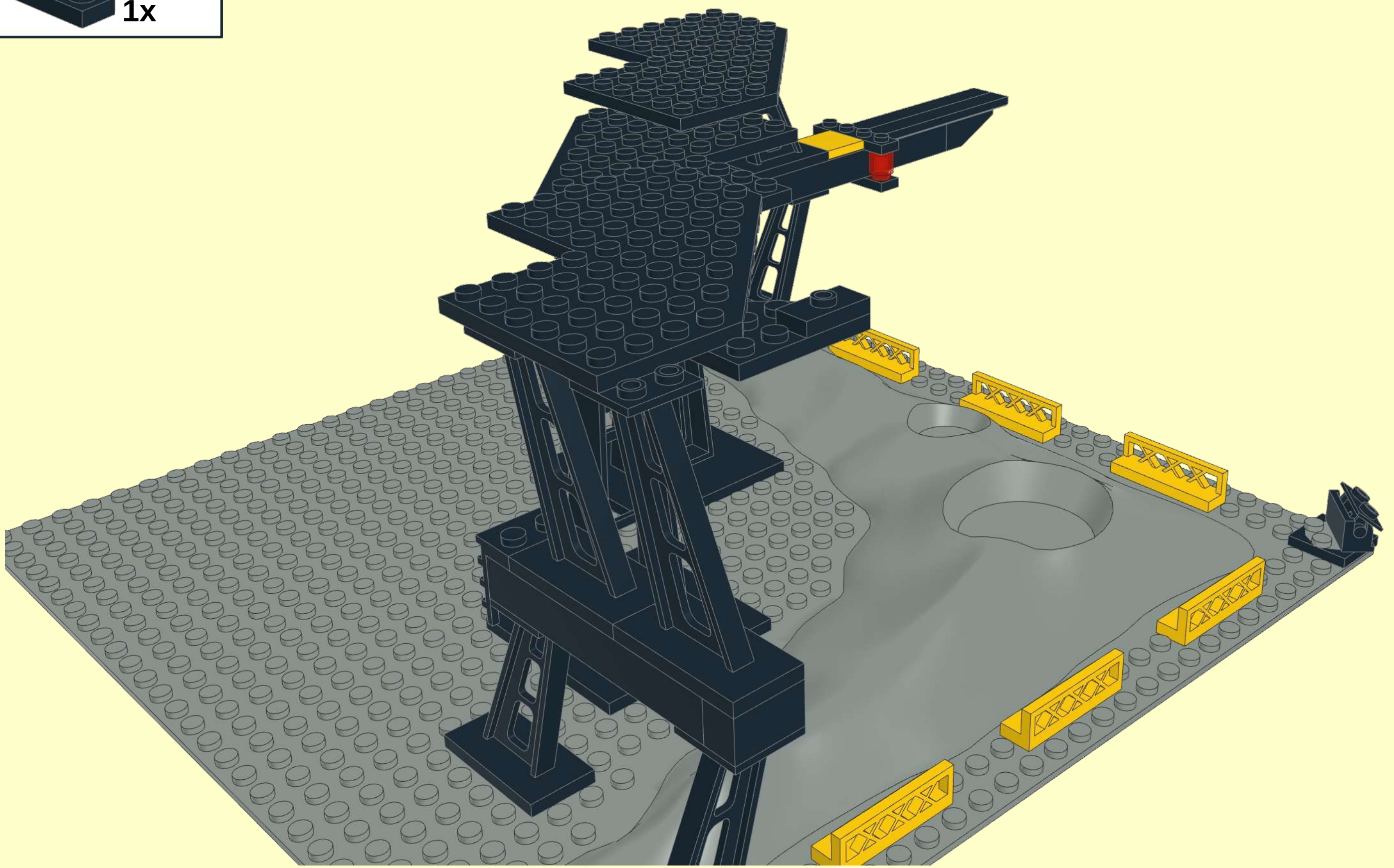
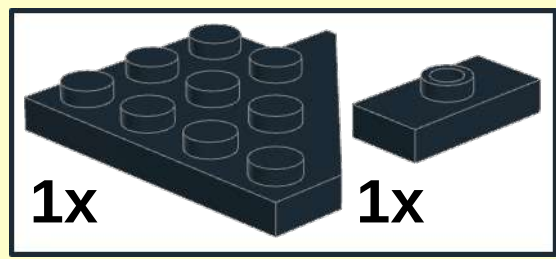
6



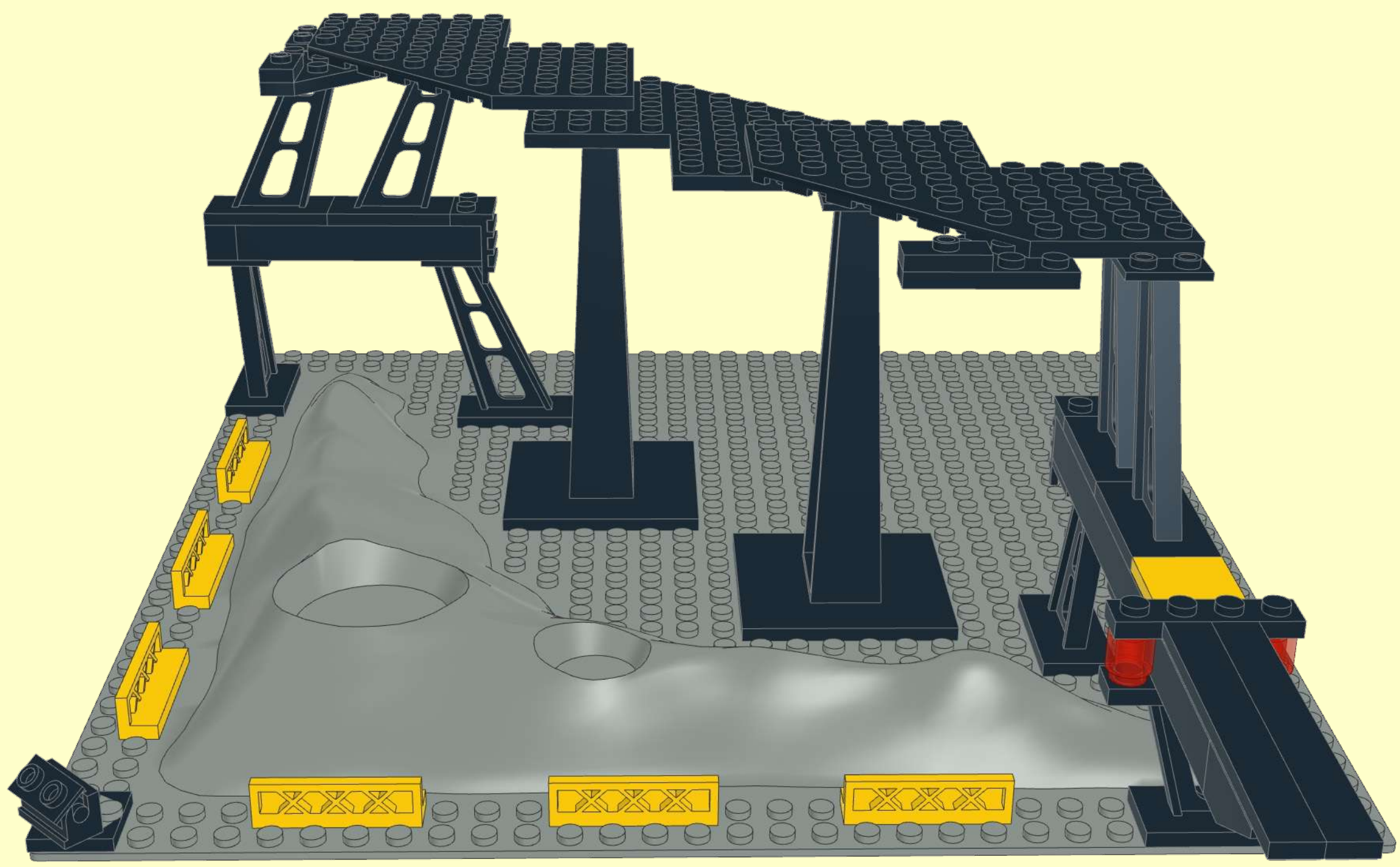
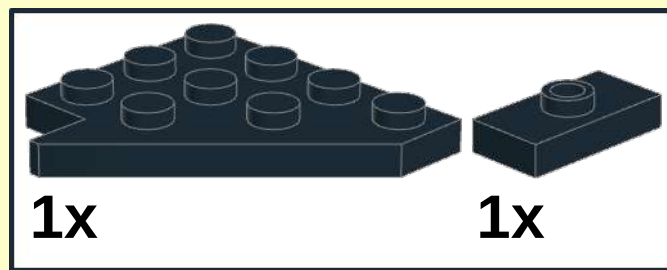
7



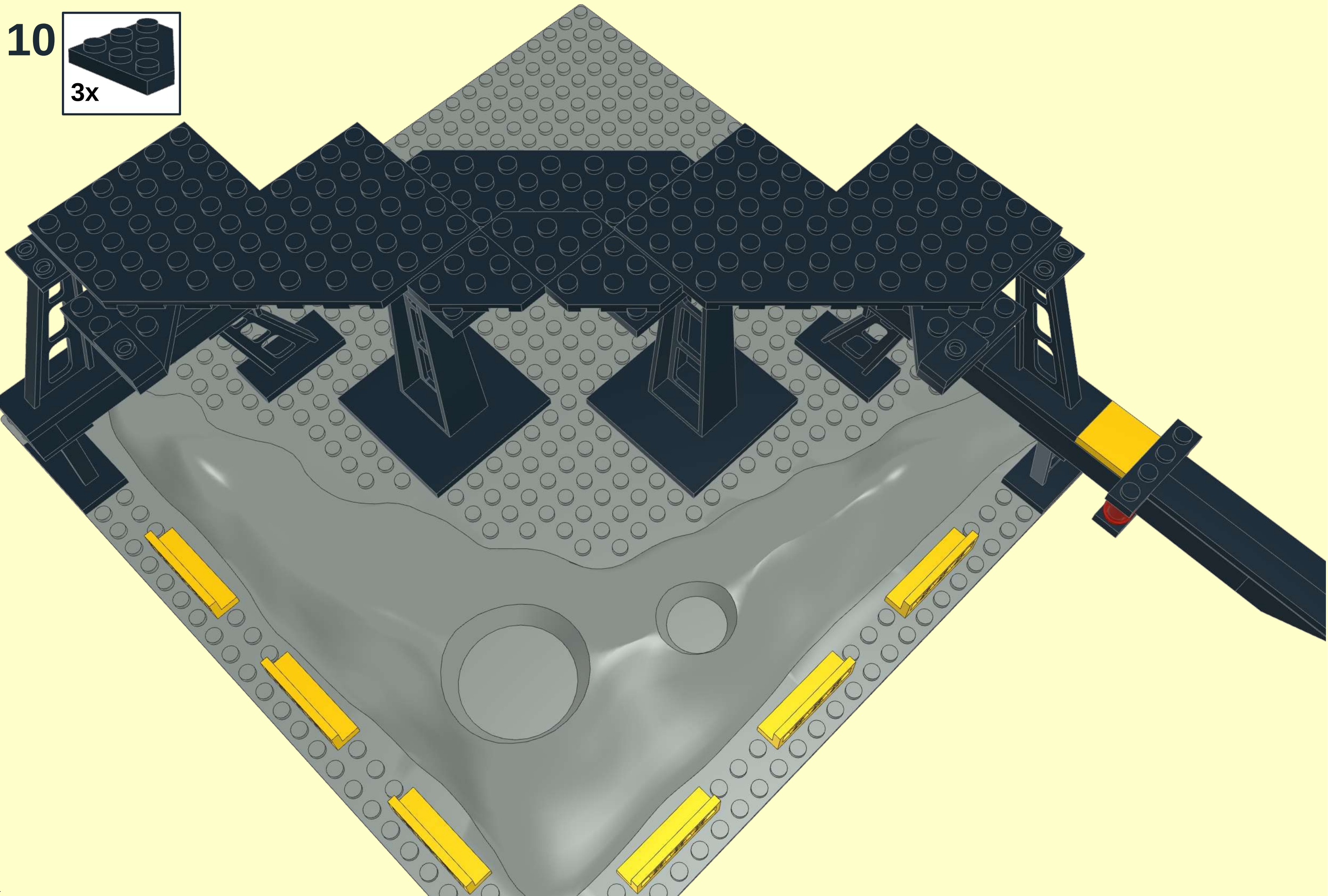
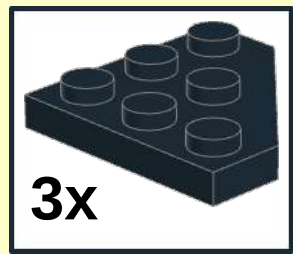
8

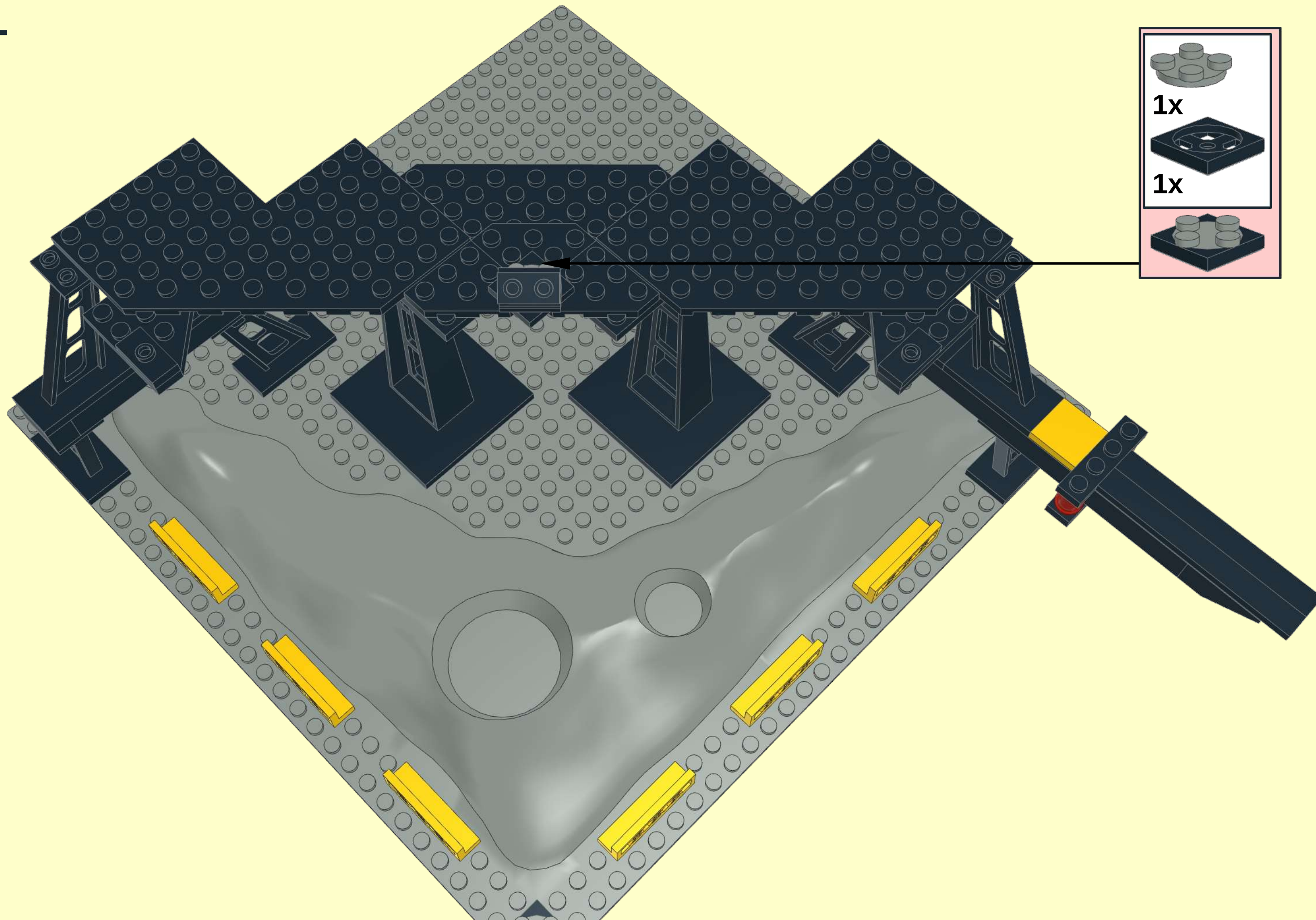


9

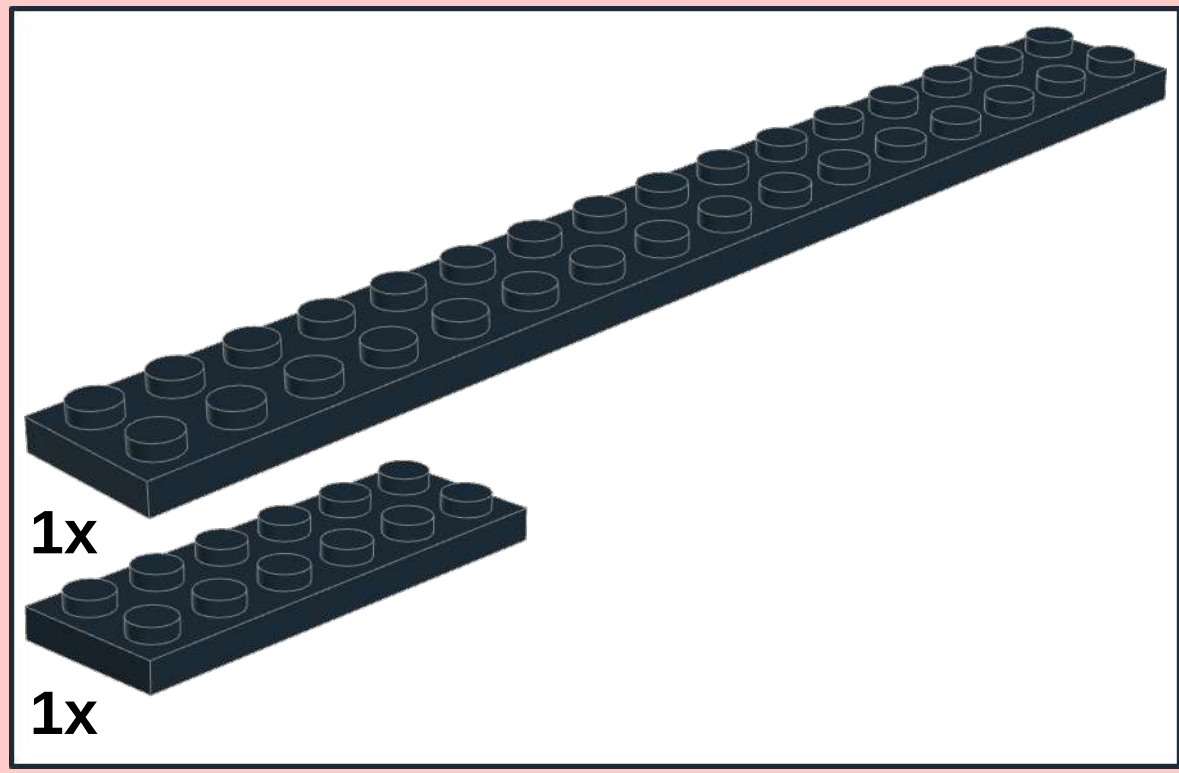


10

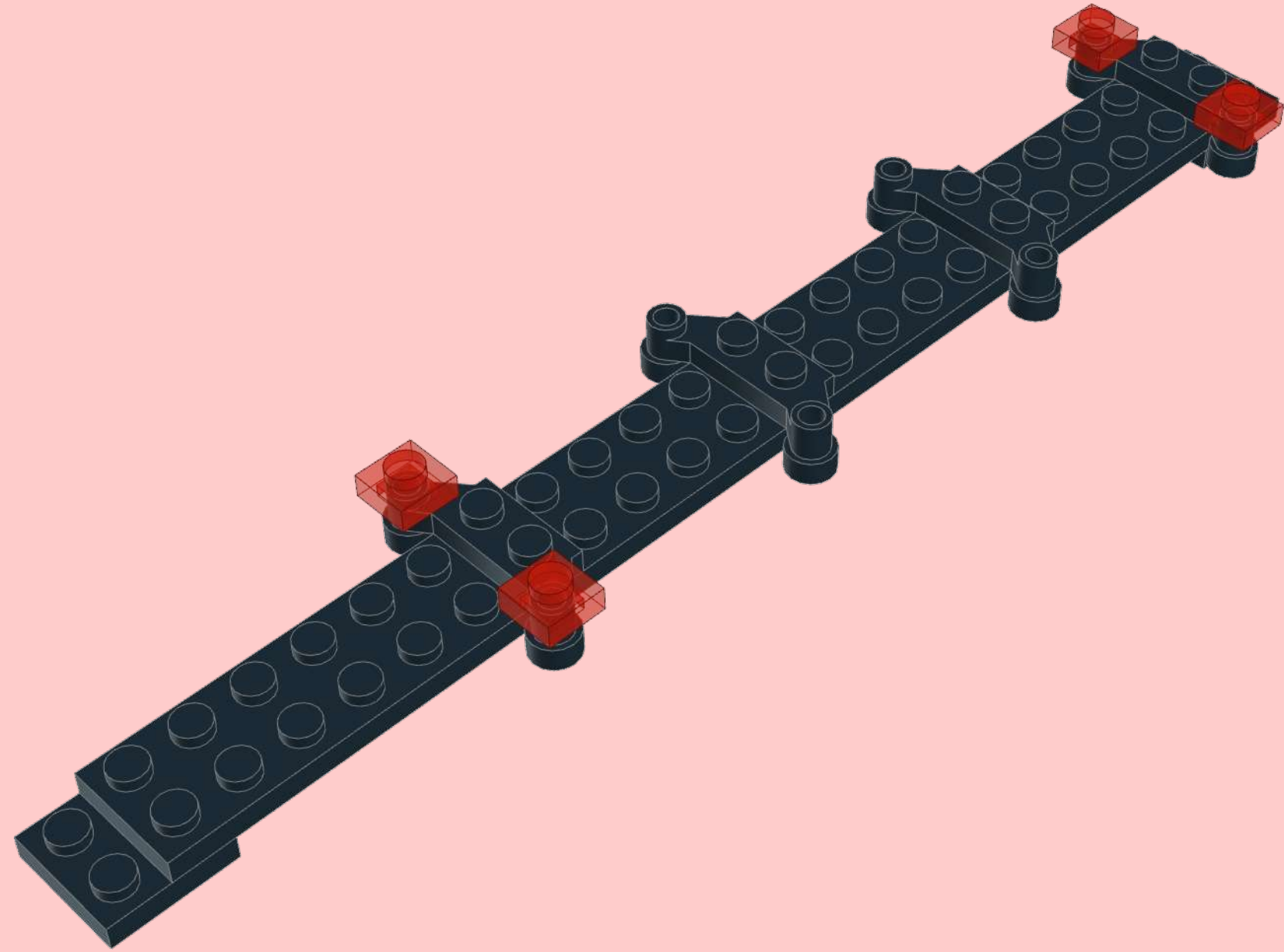
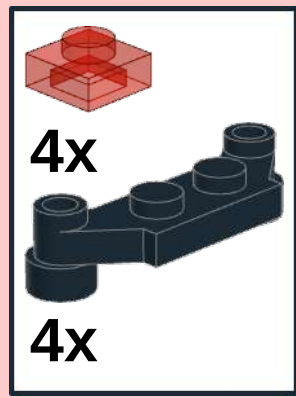




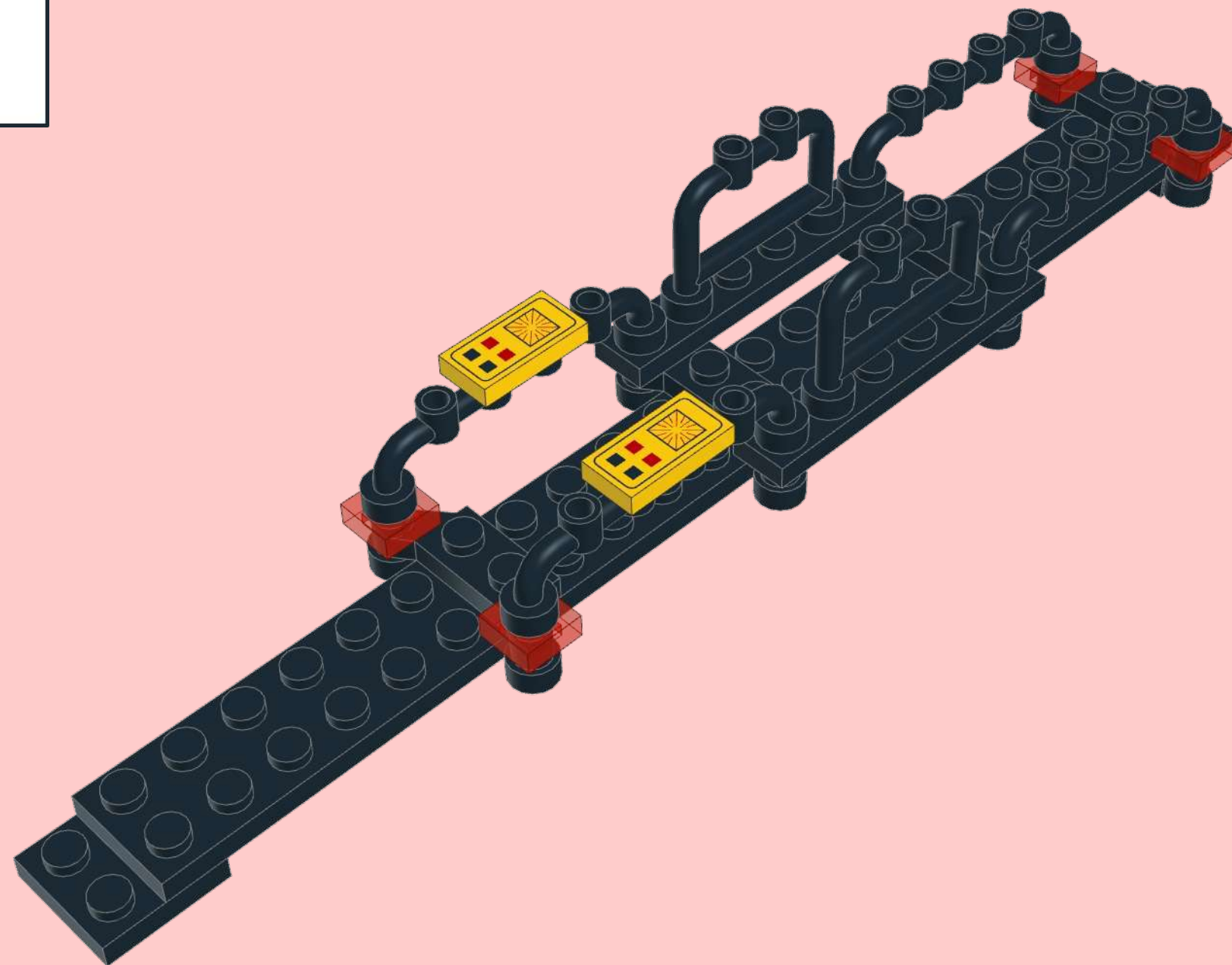
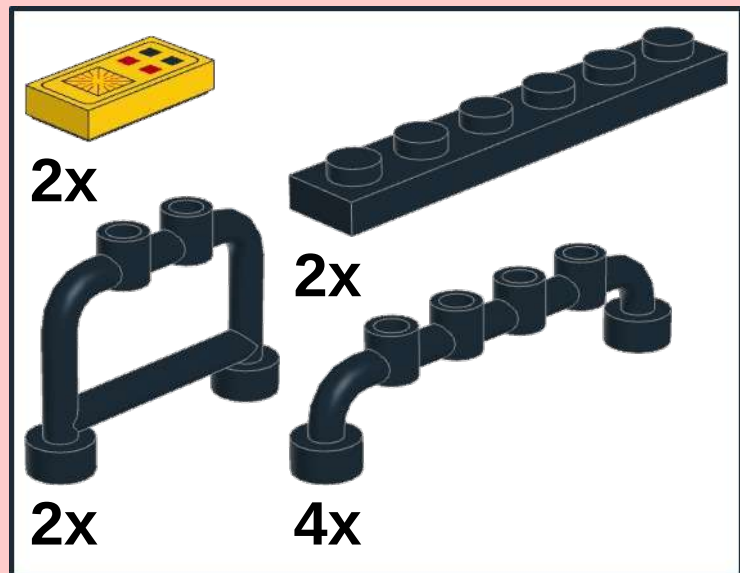
2

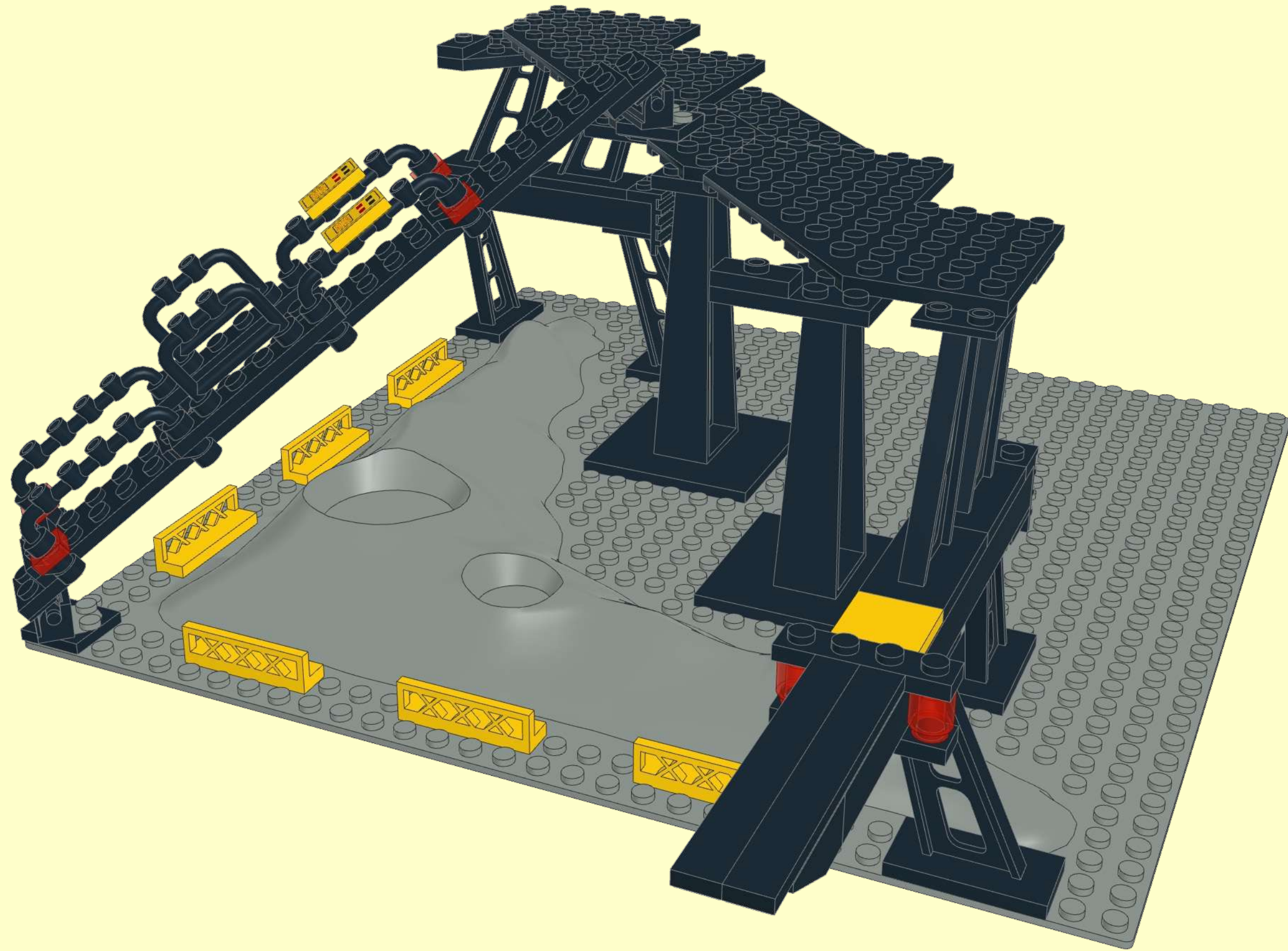


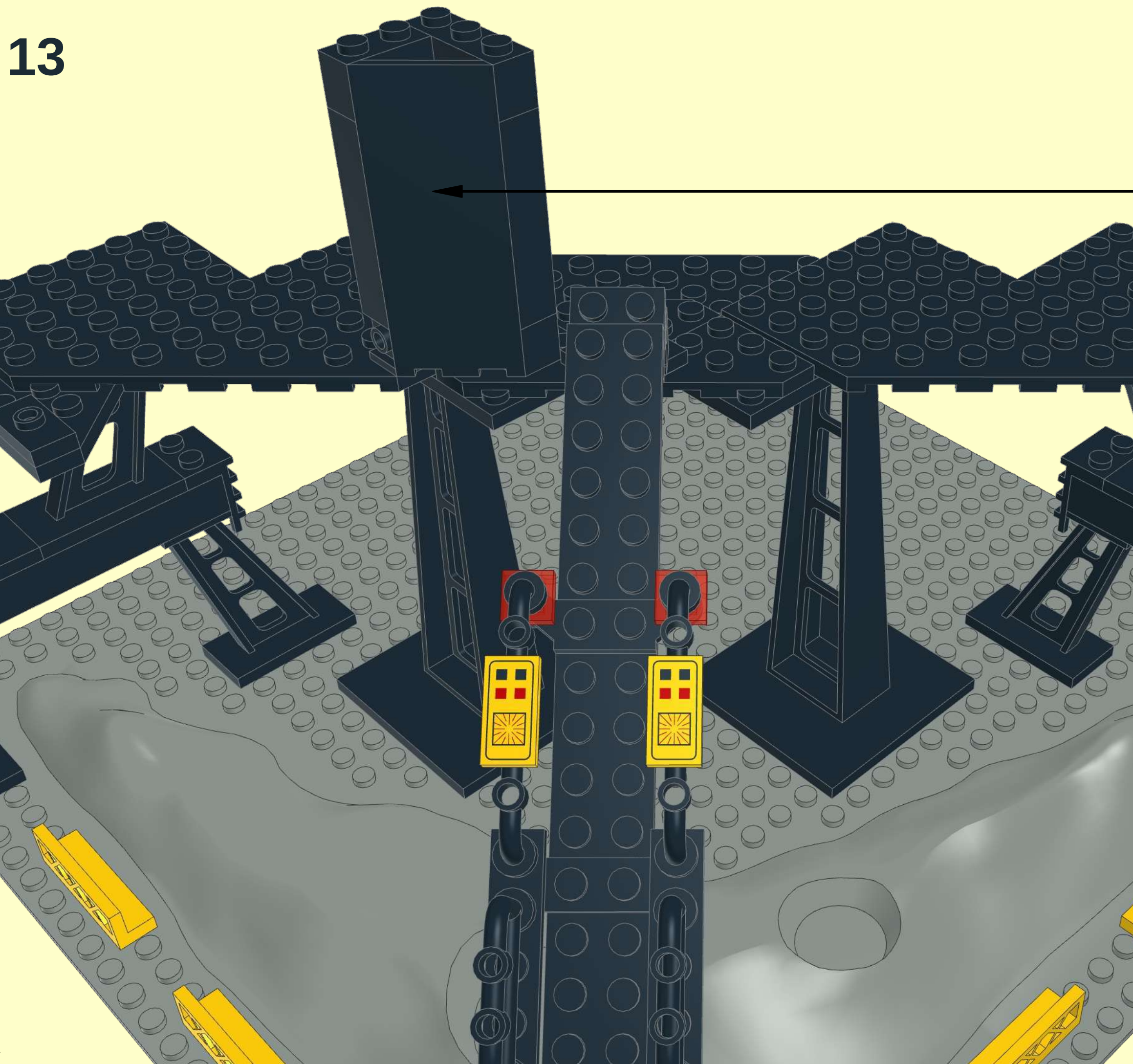
3



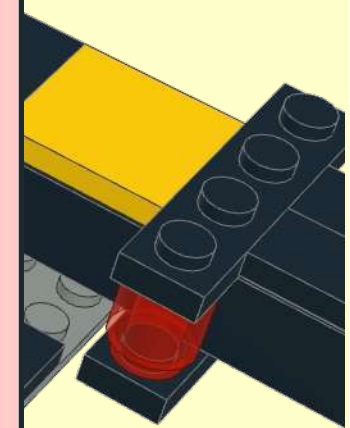
4

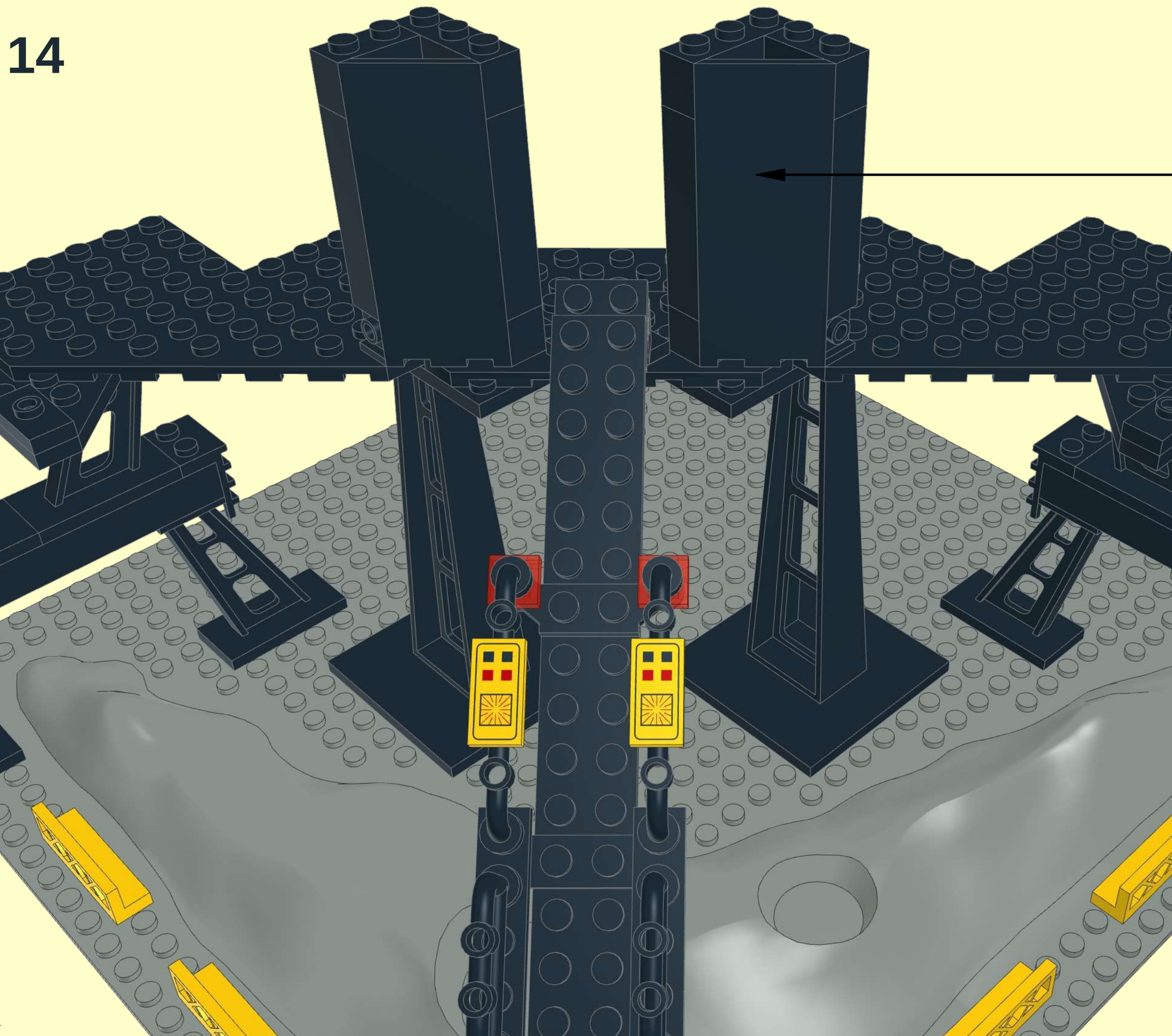






1x	1x
1x	1x
1x	1x





1x

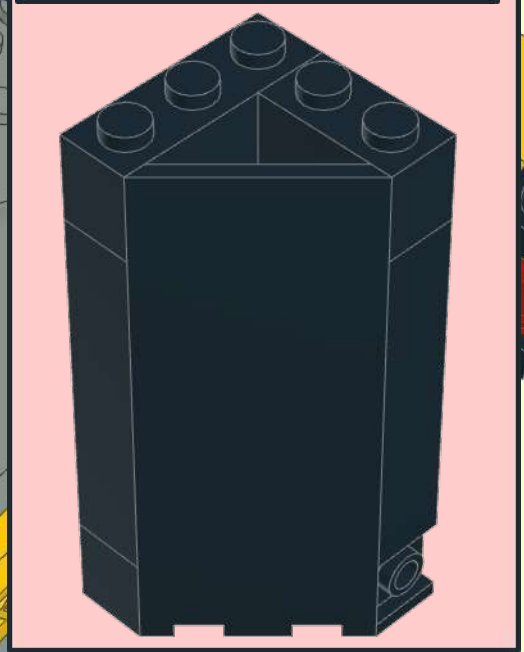
1x

1x

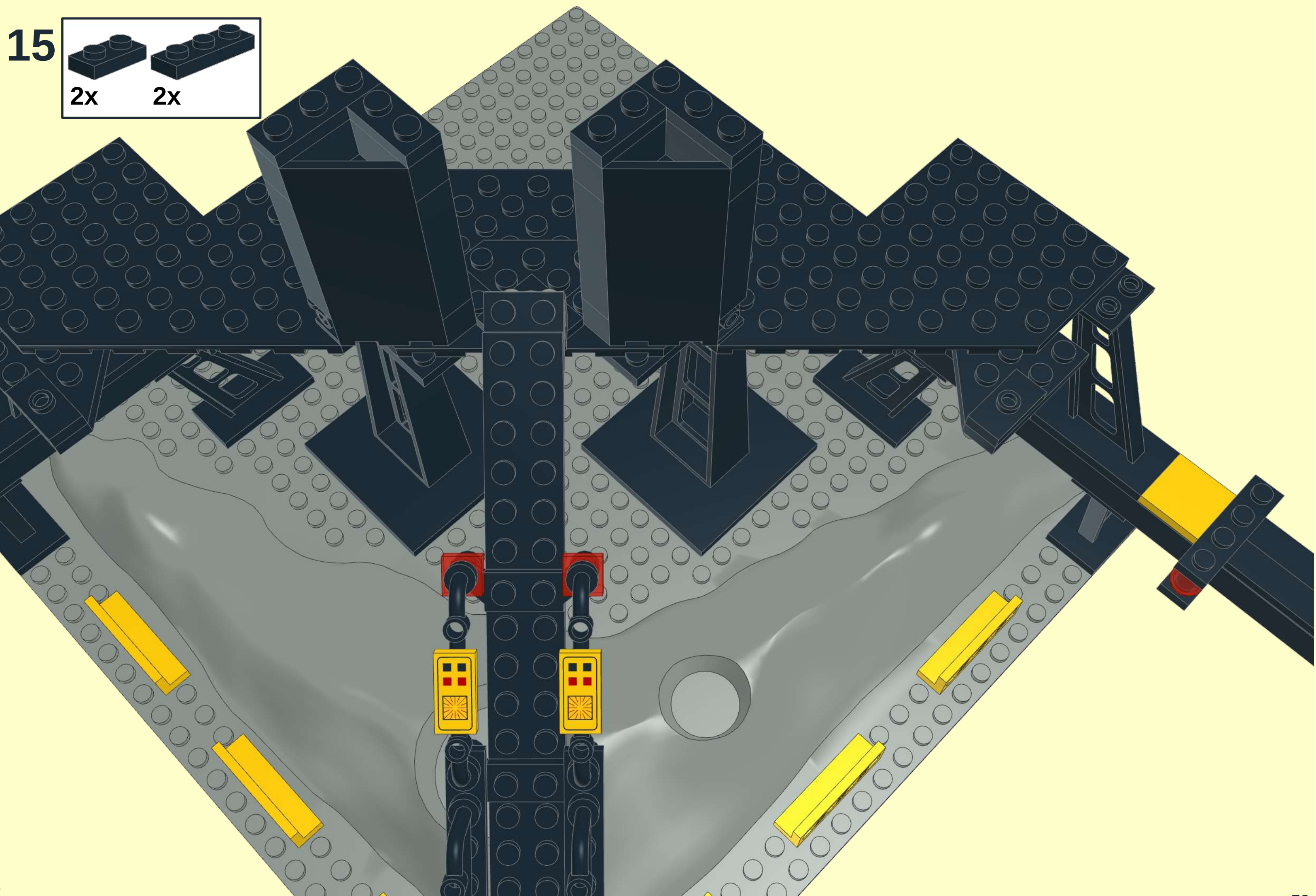
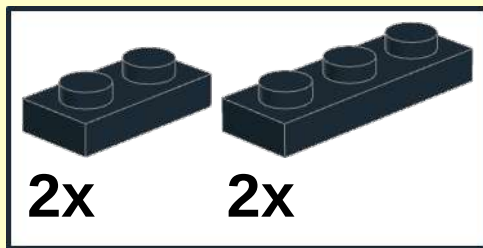
1x

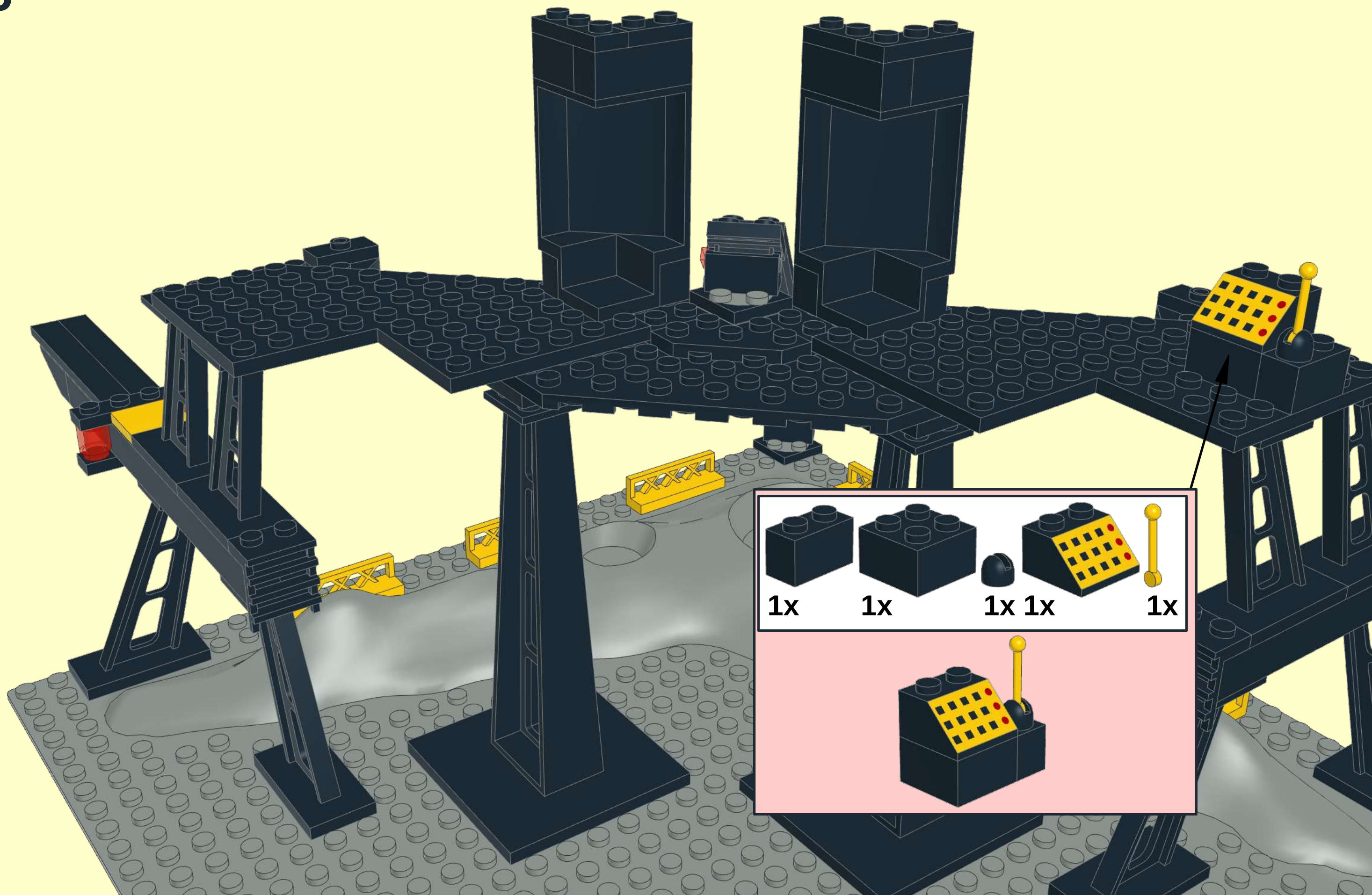
1x

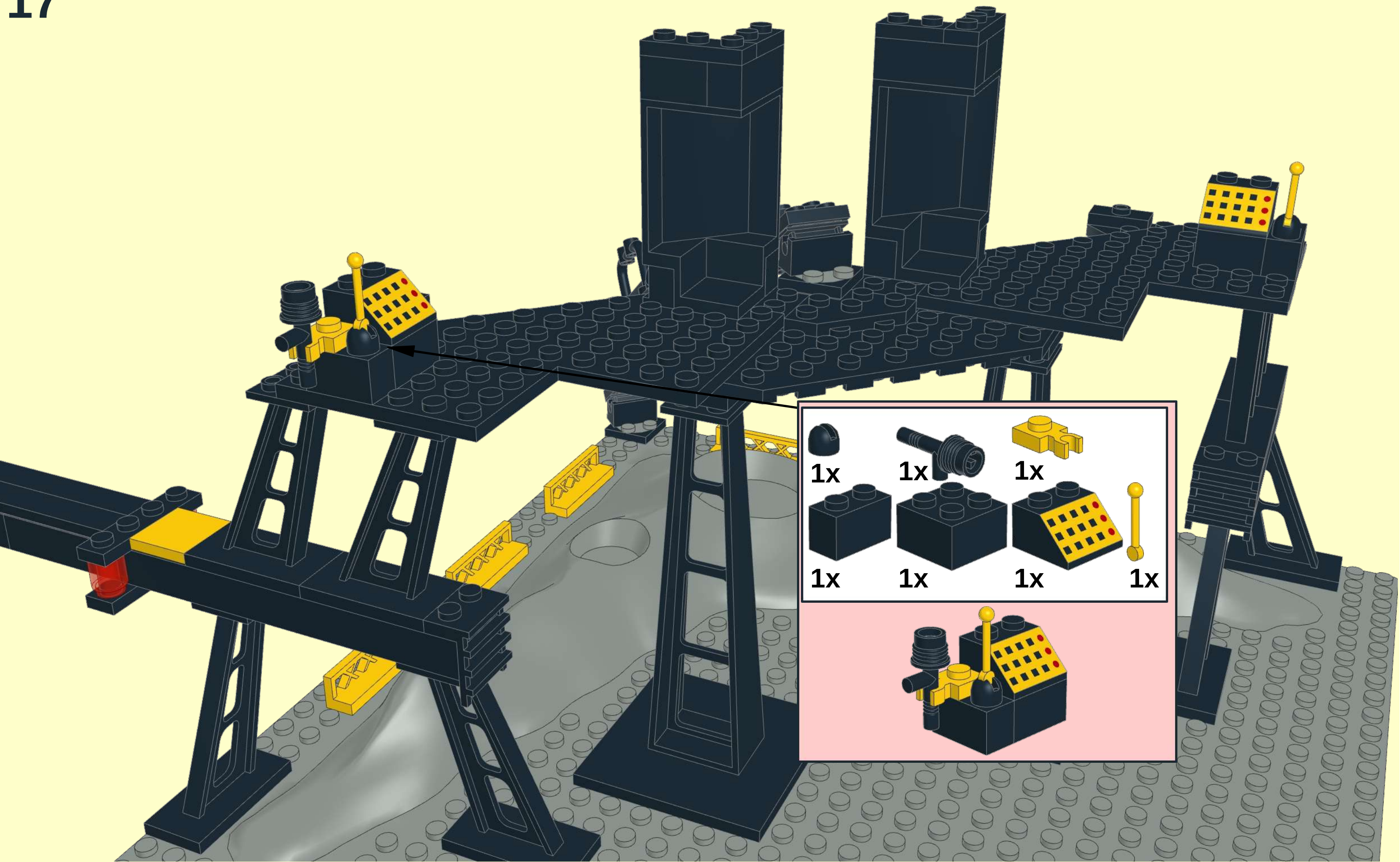
1x



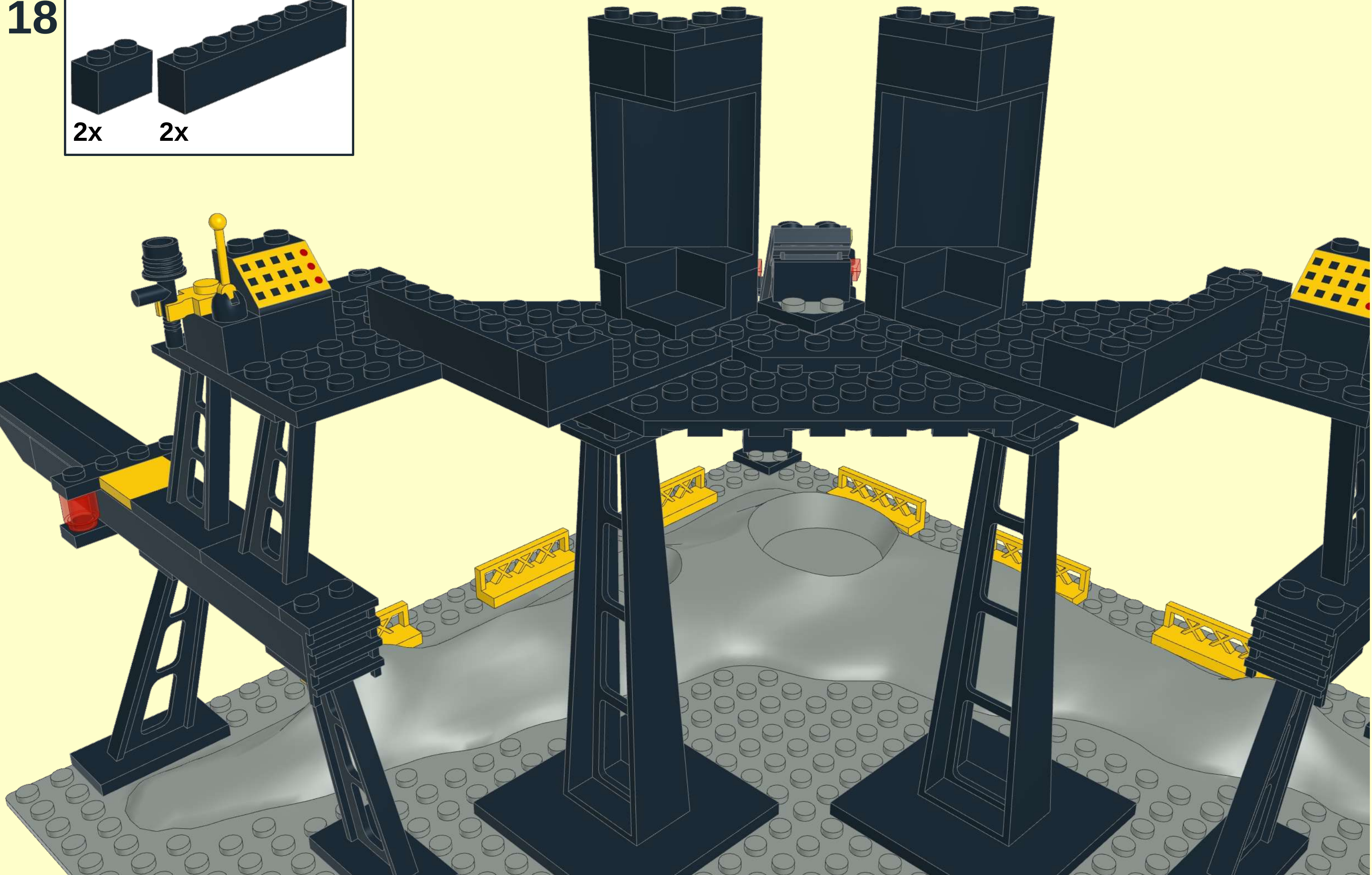
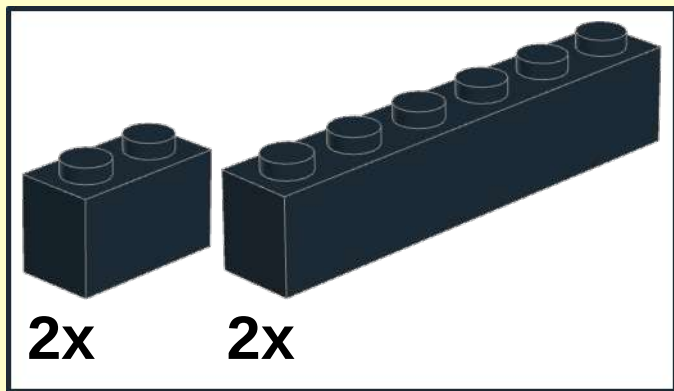
15



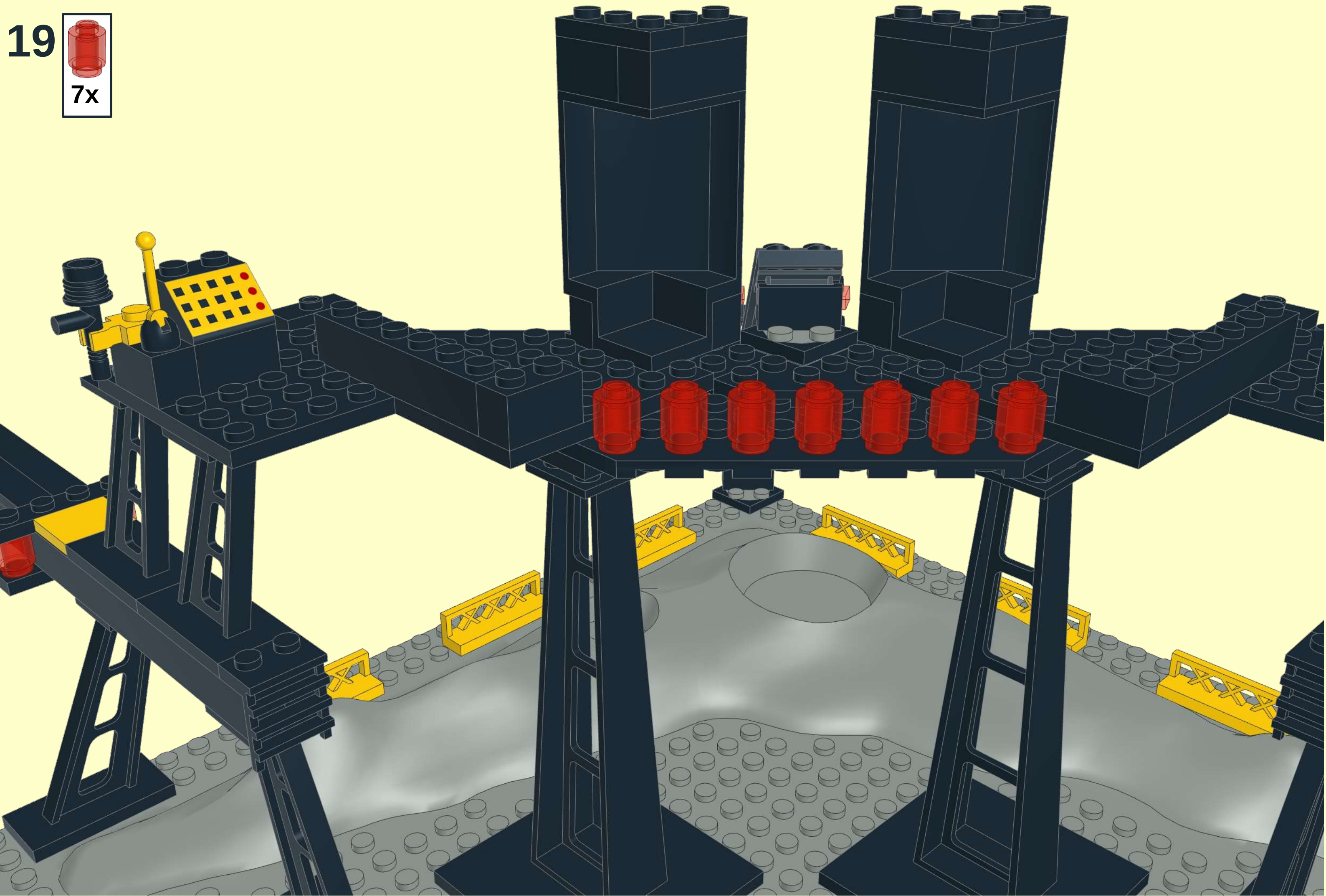


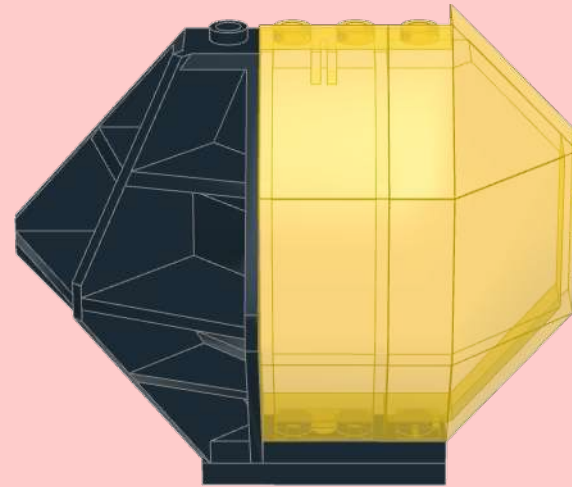
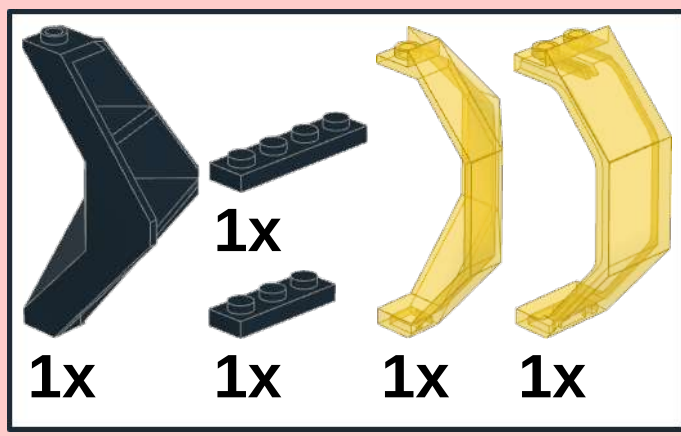
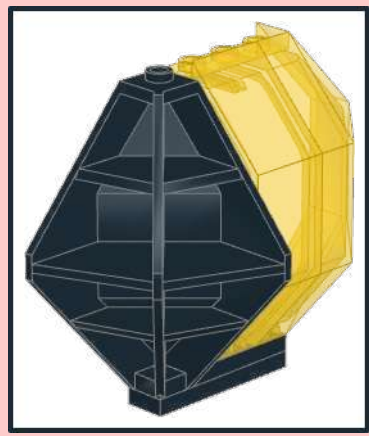


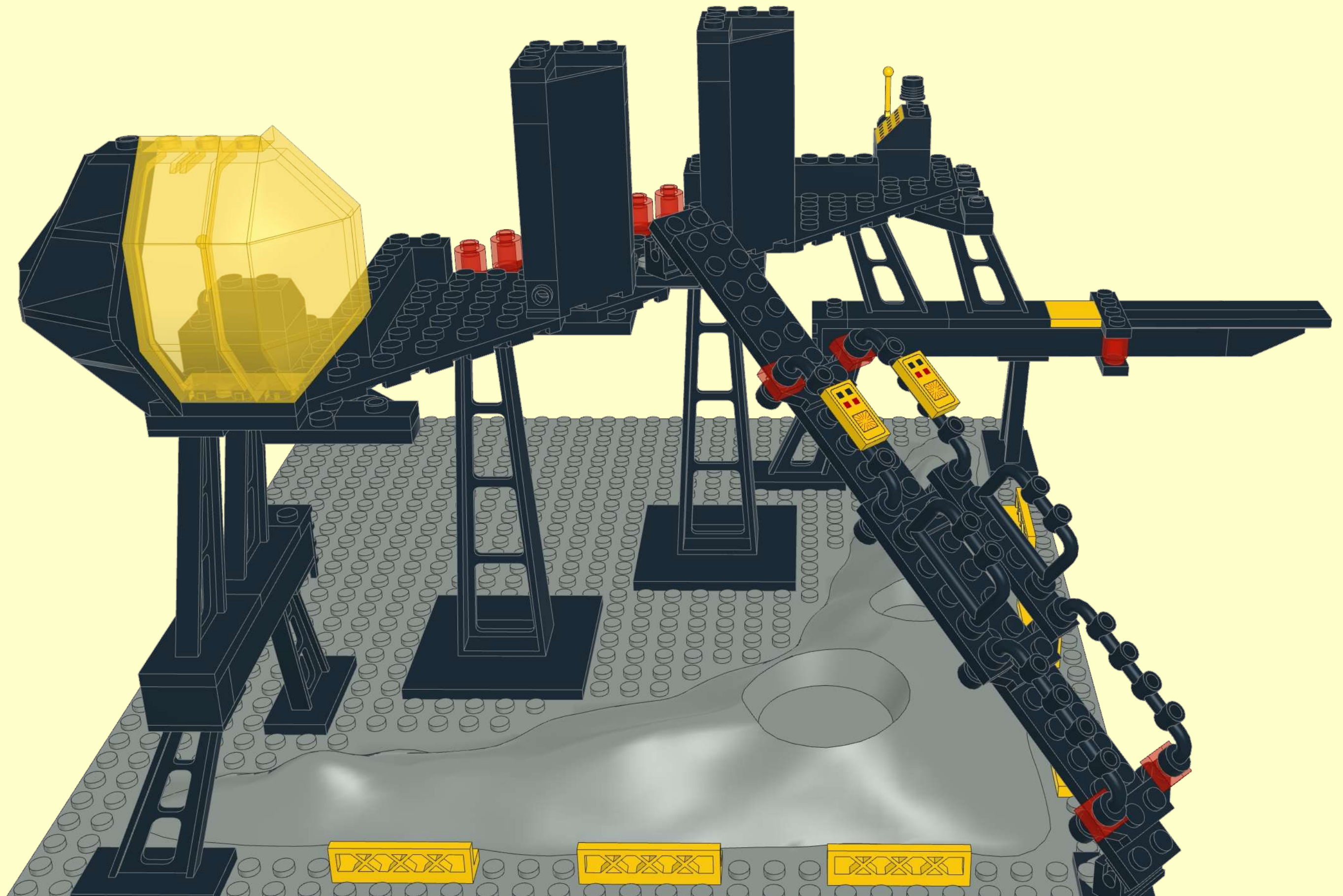
18

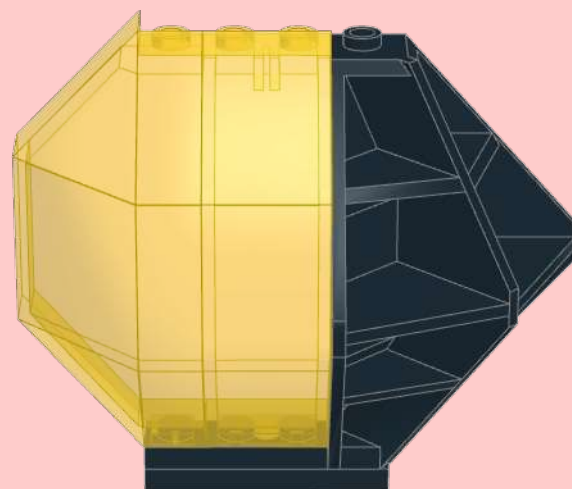
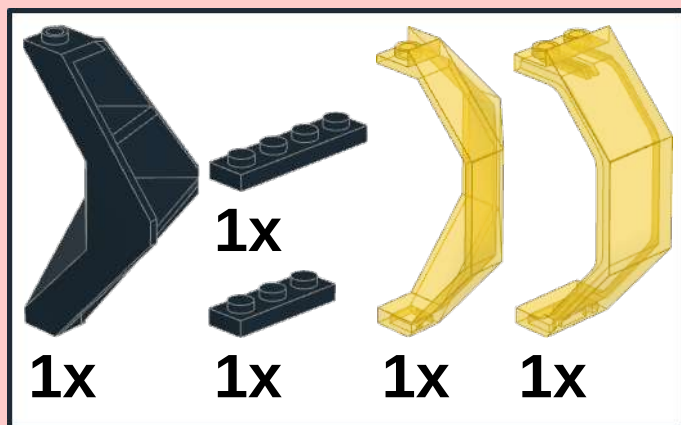
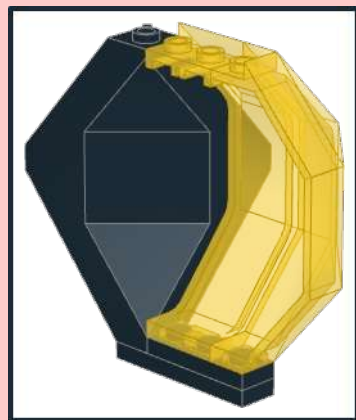


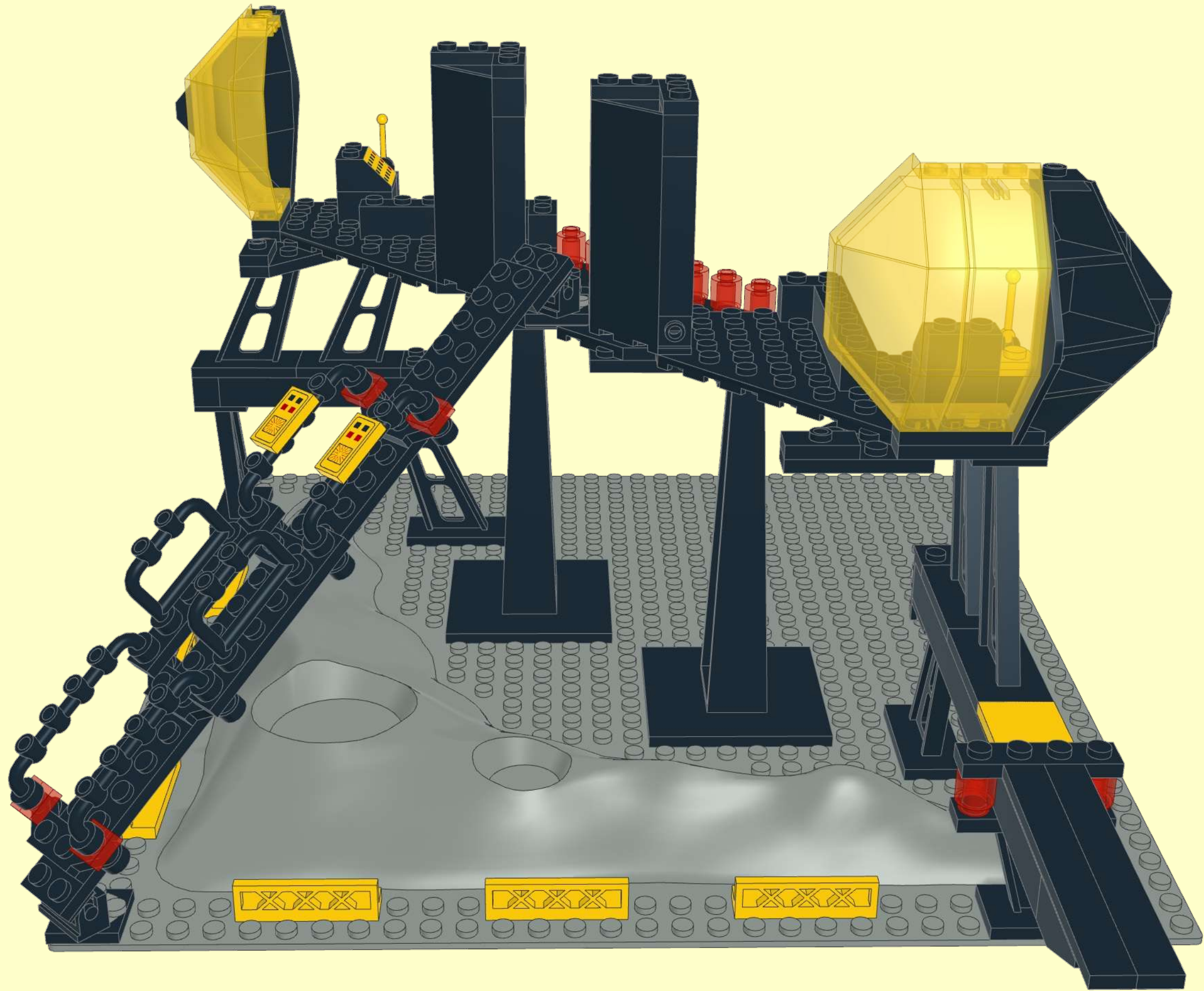
19



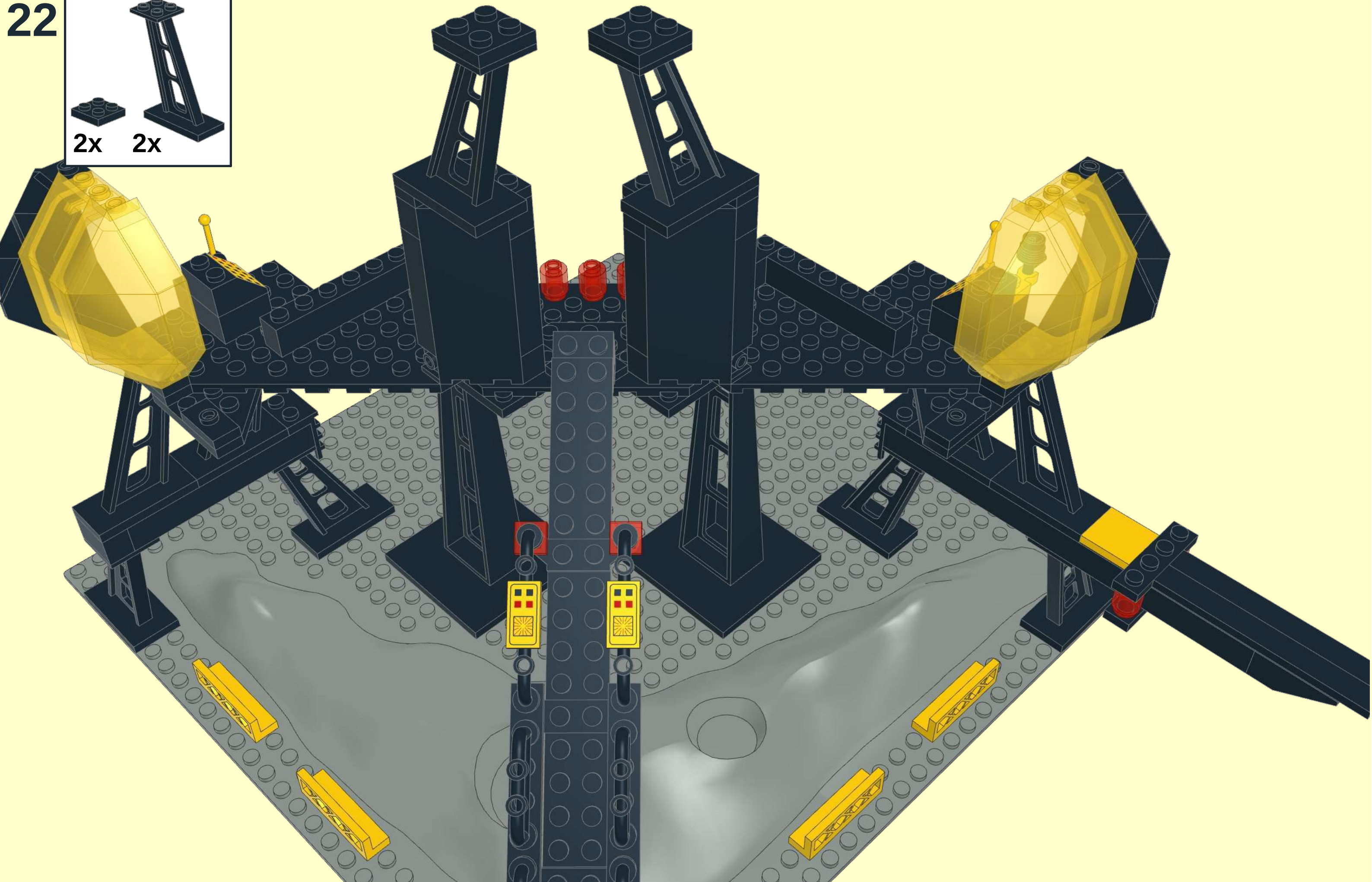
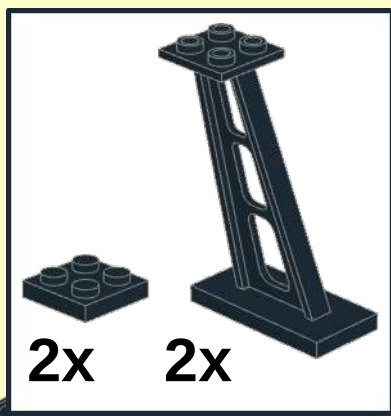


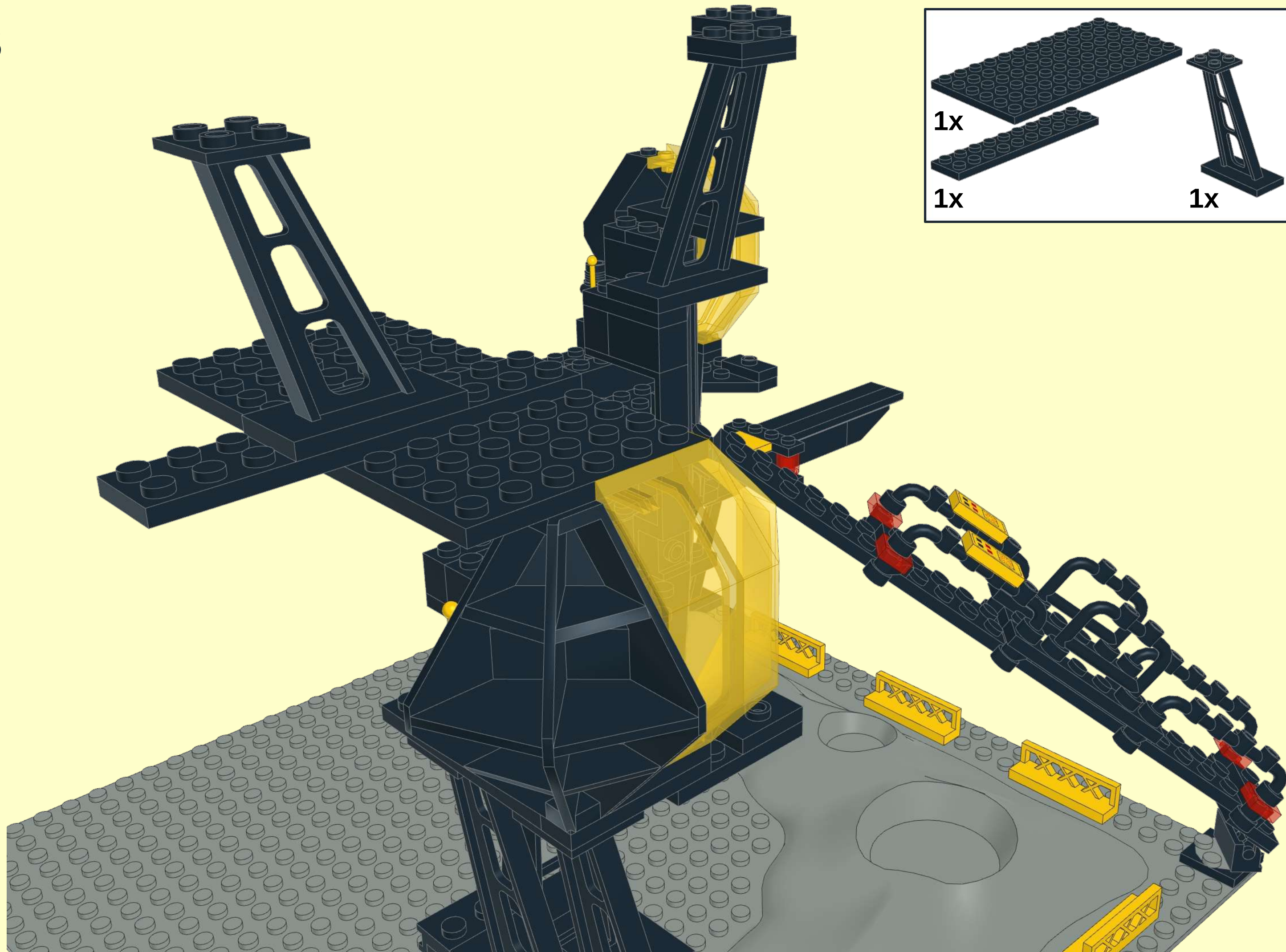


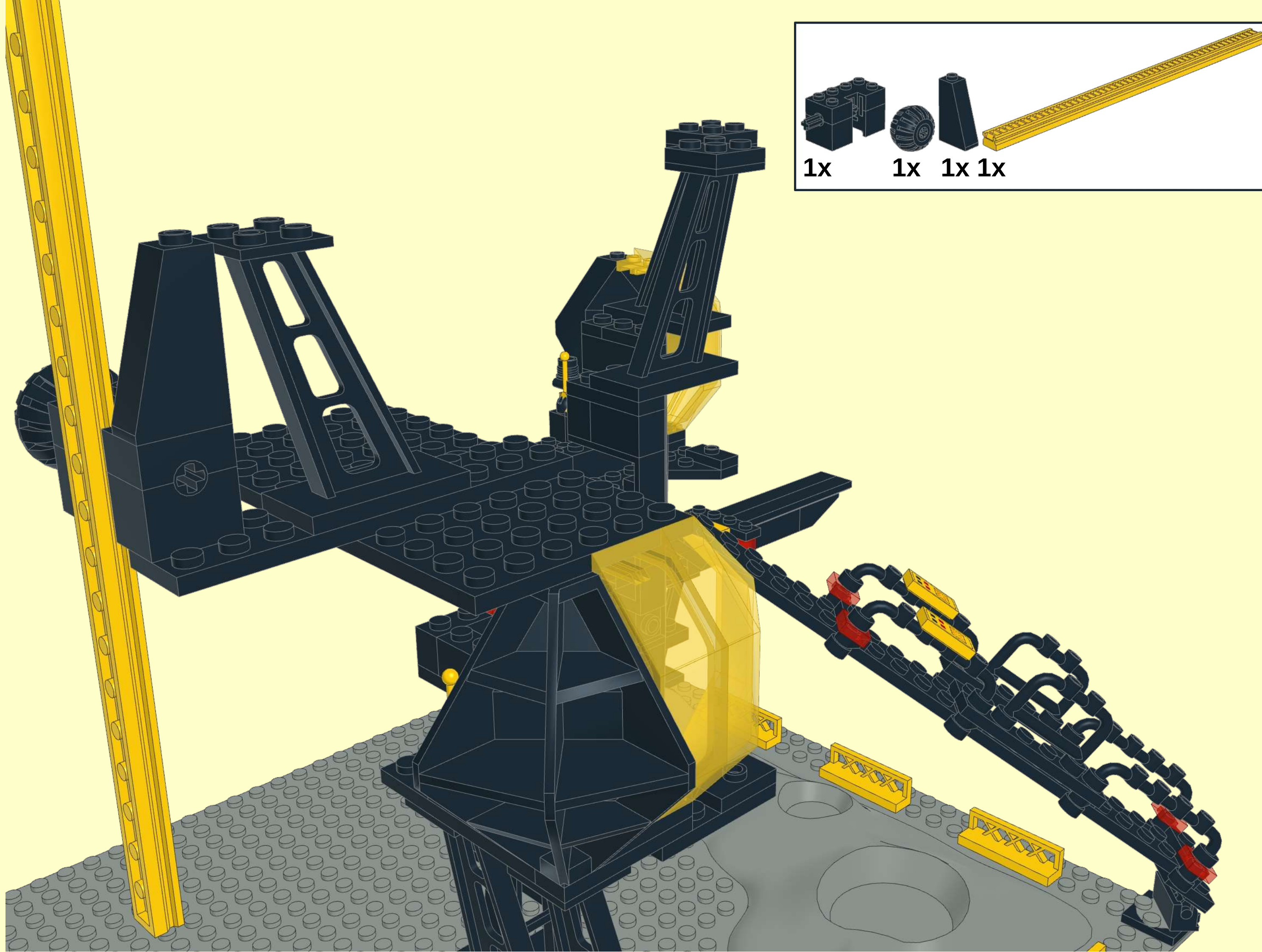




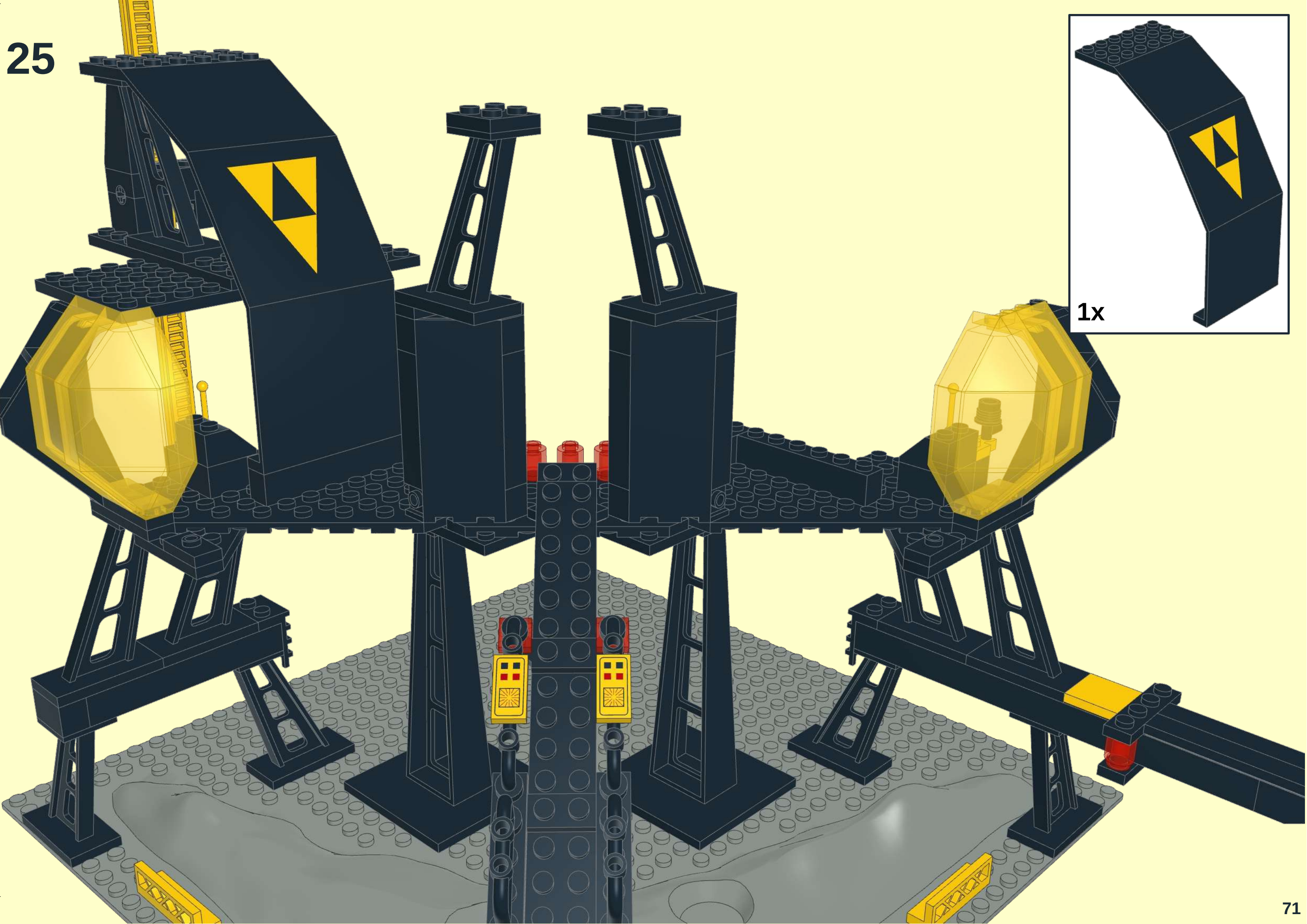
22





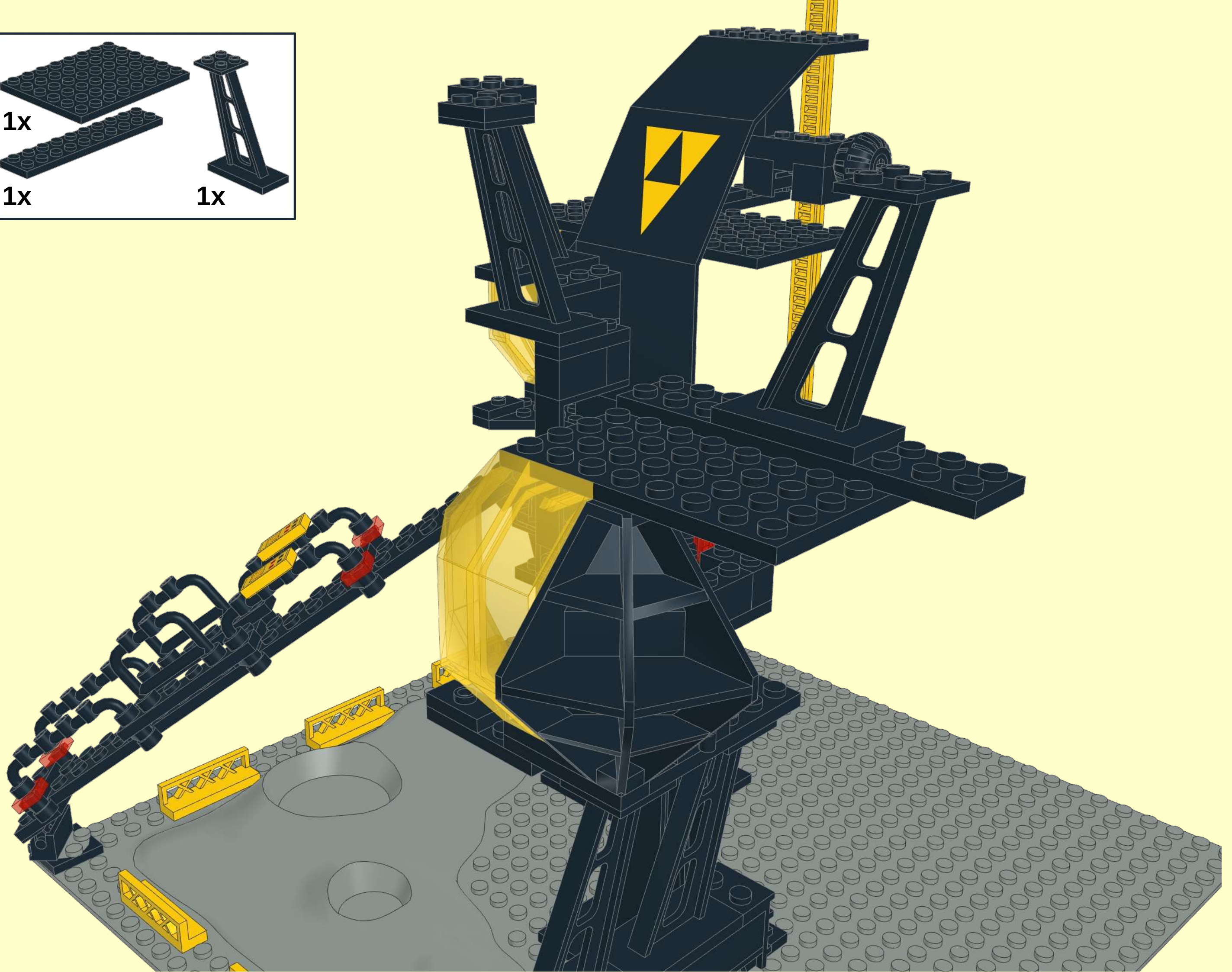
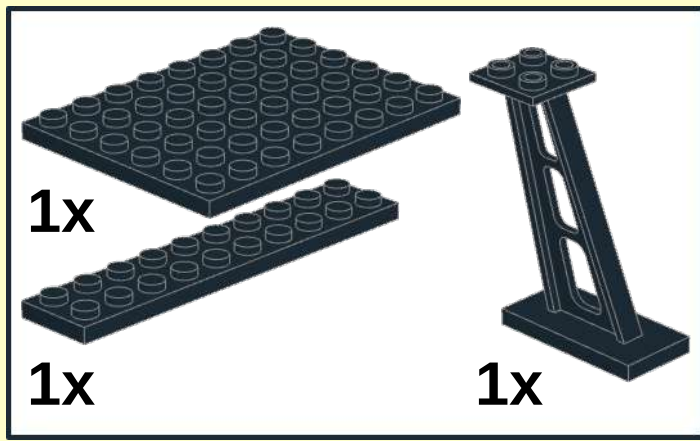


25

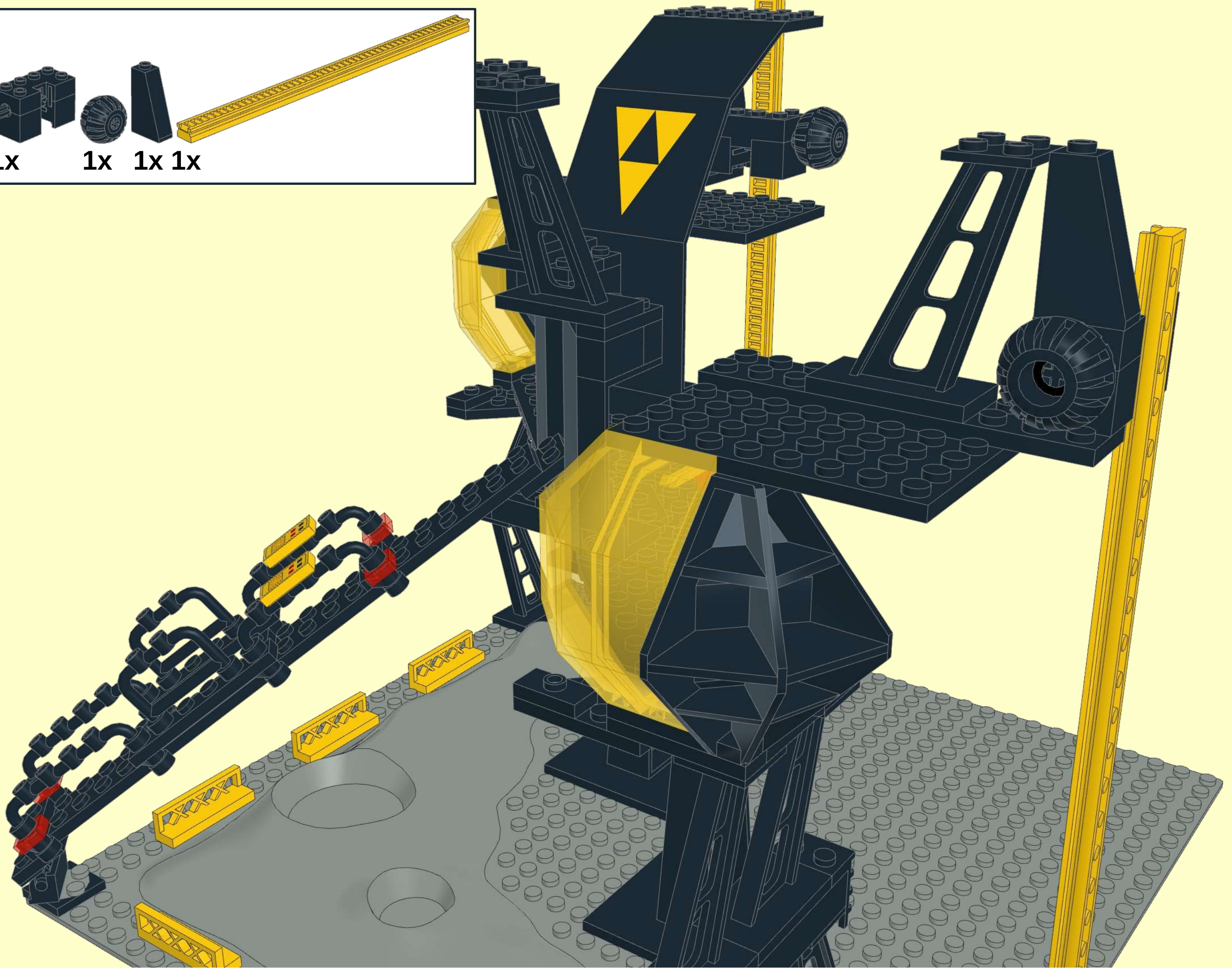
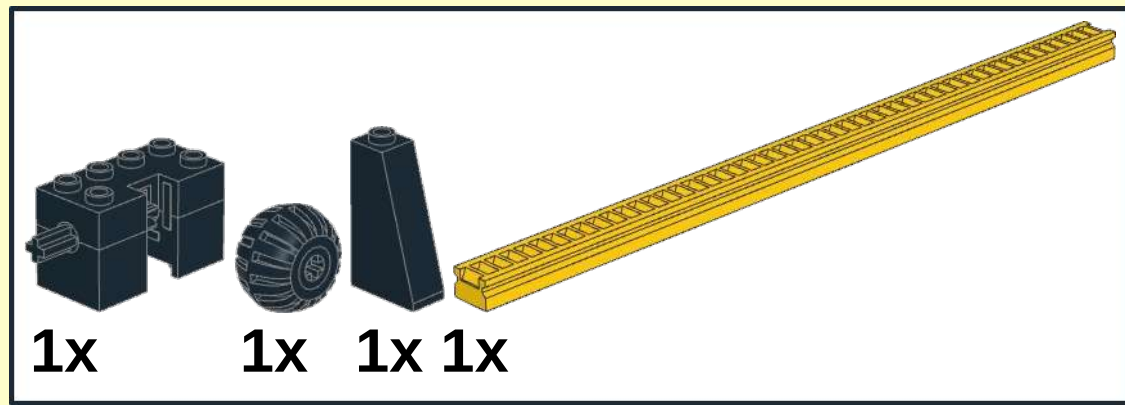


1x

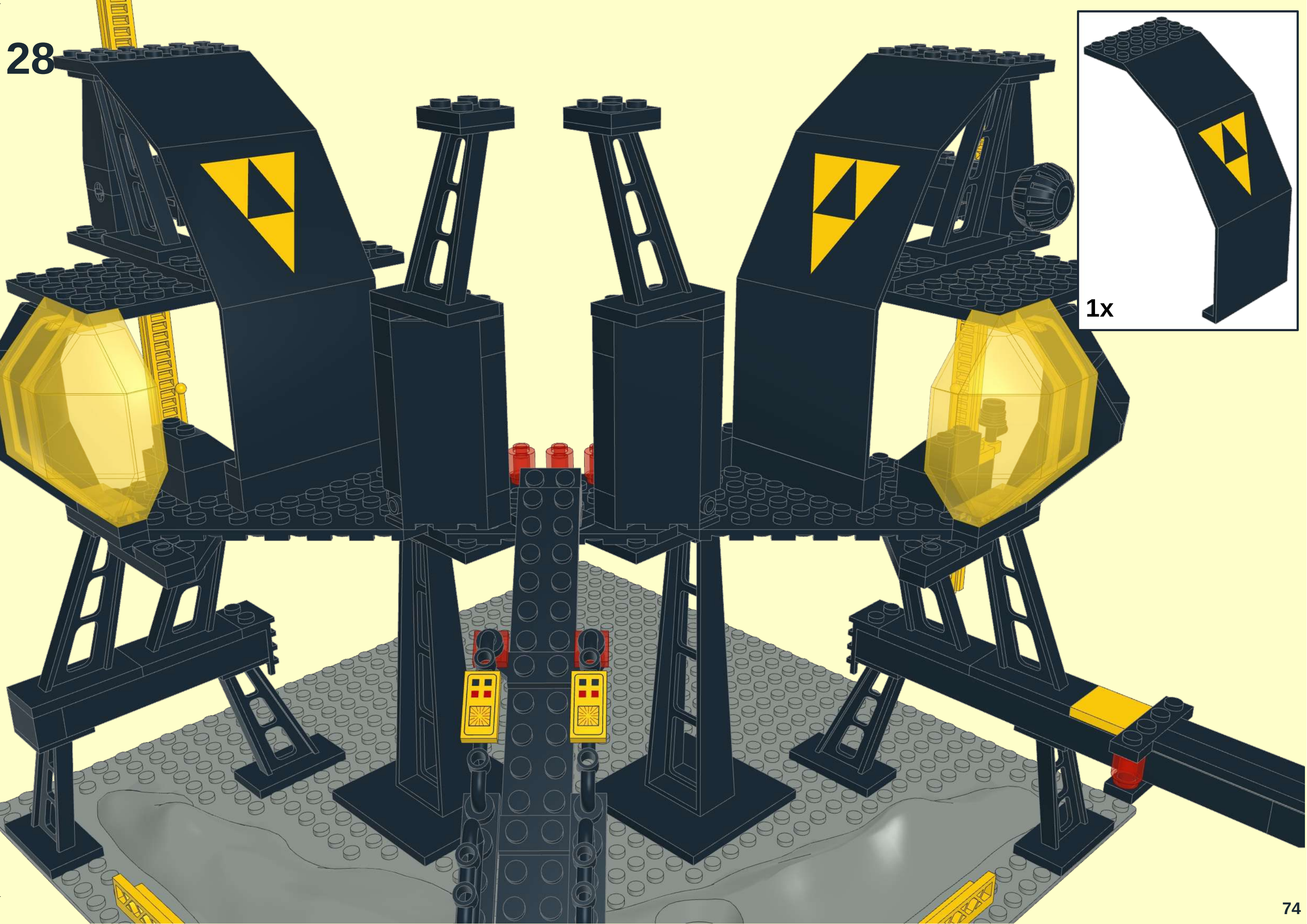
26



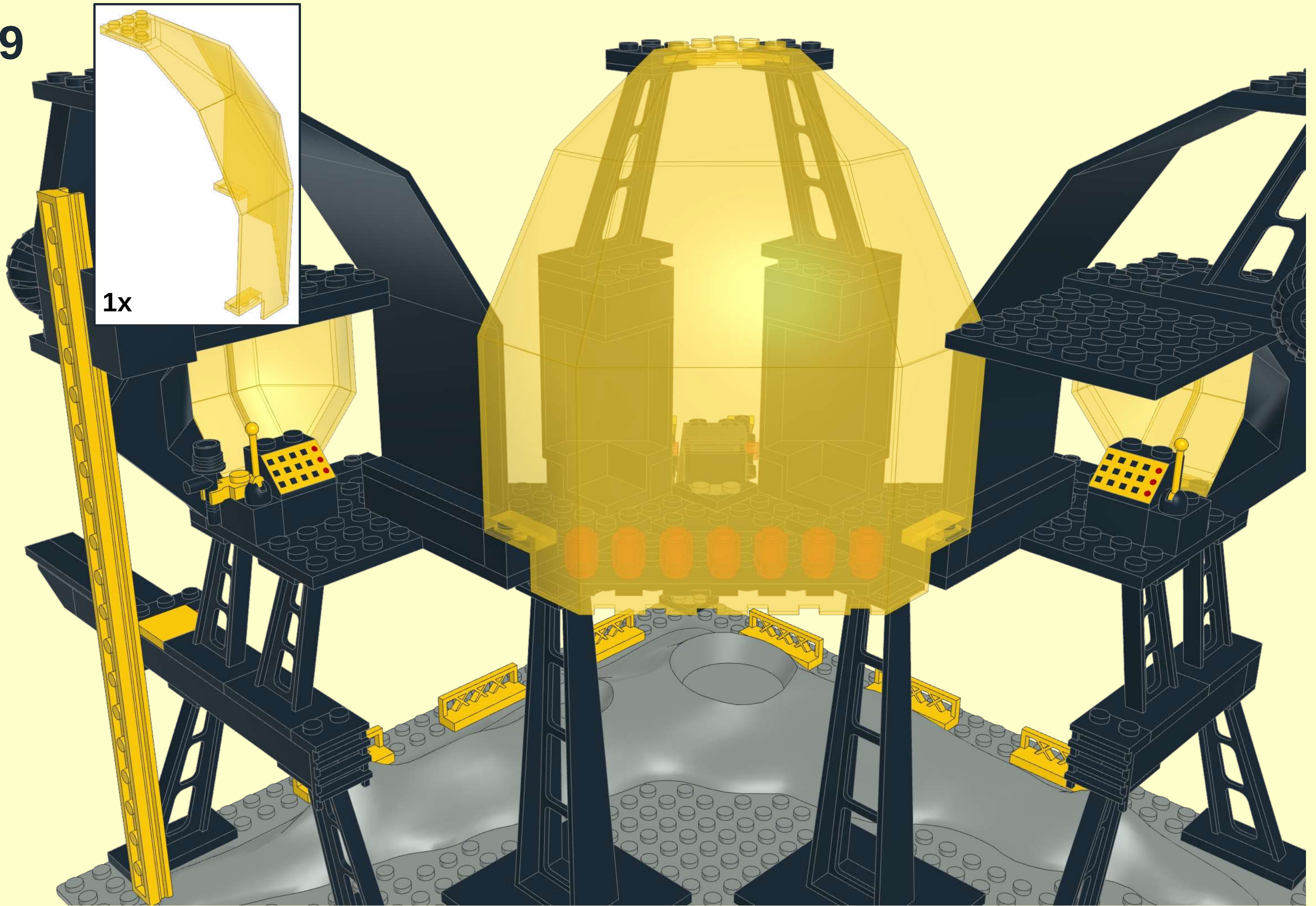
27



28

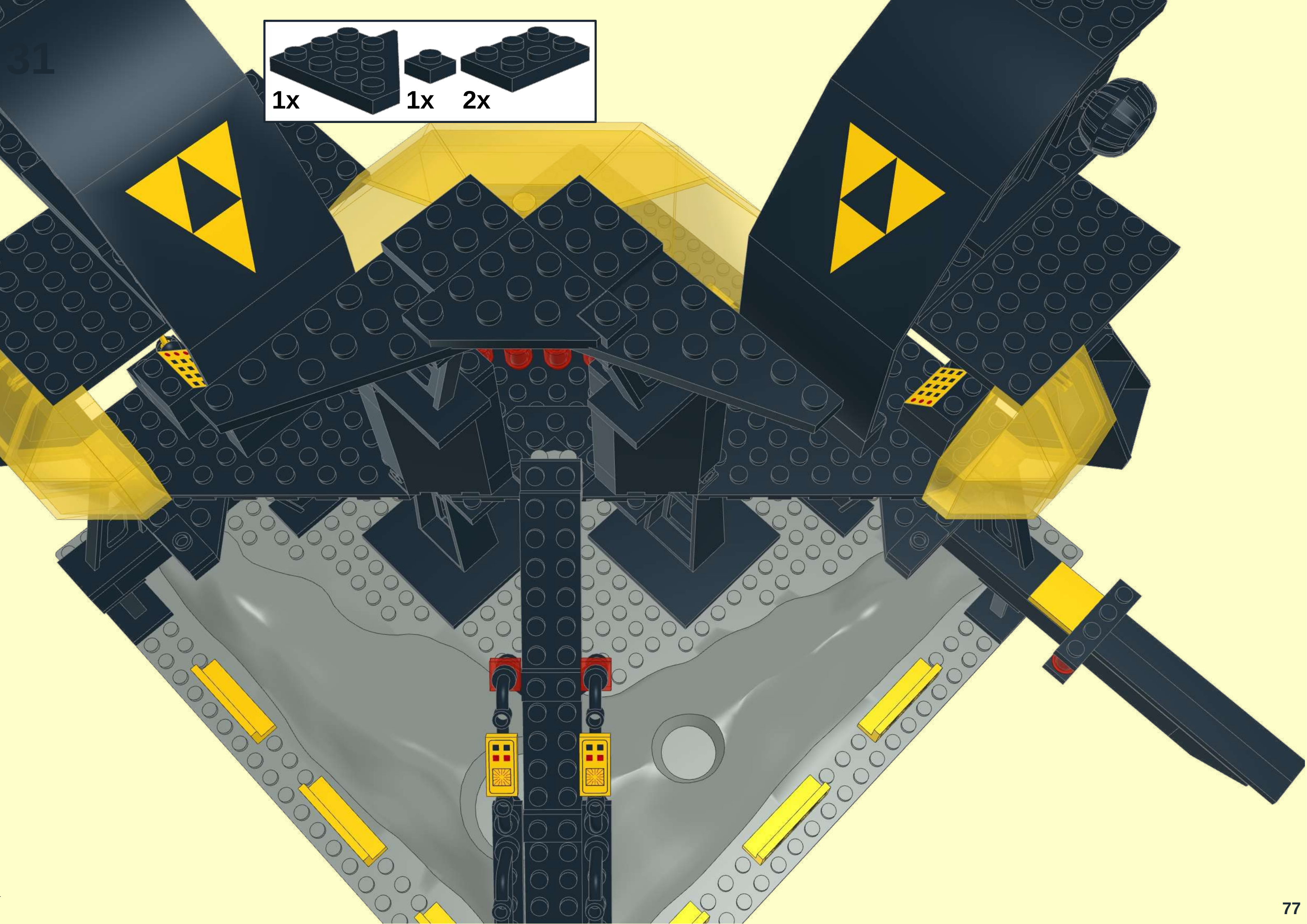


1x

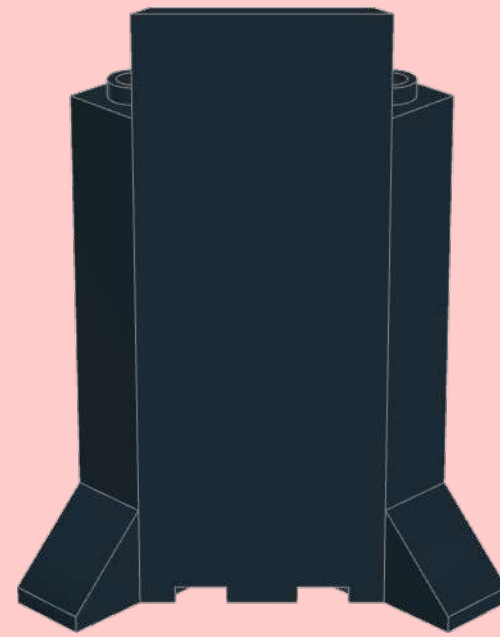
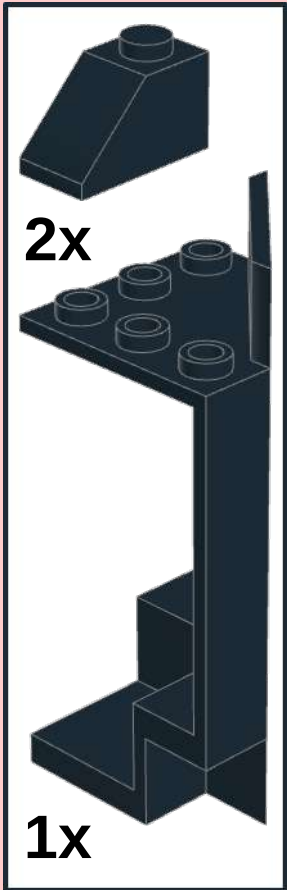
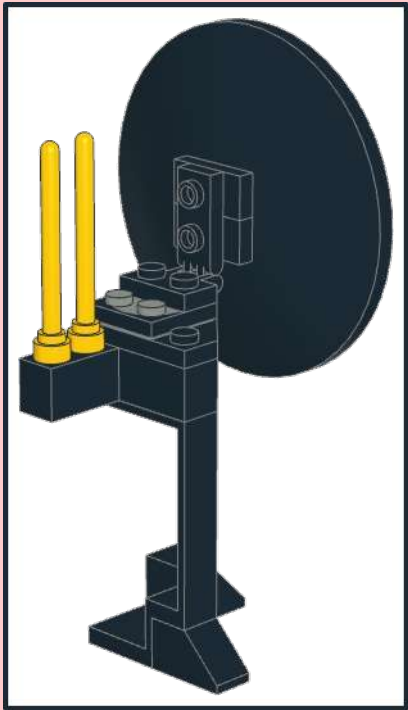


1x

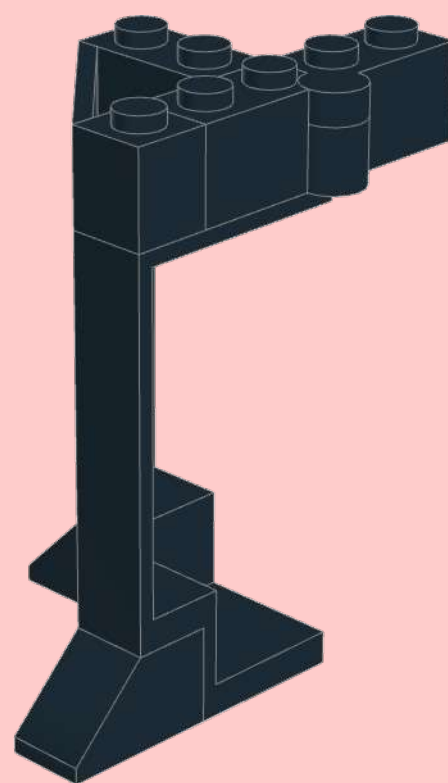
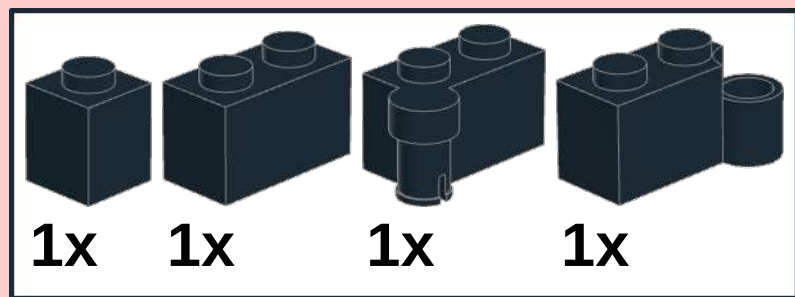
1x 1x 2x

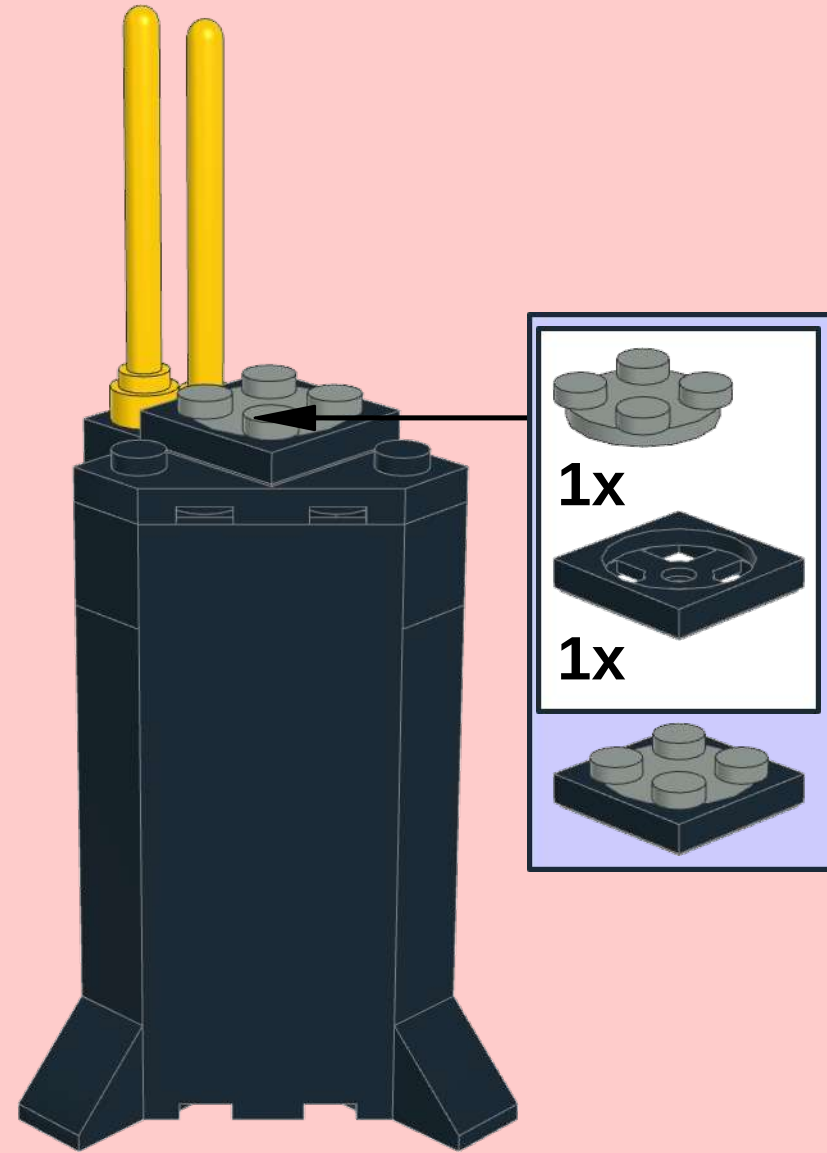
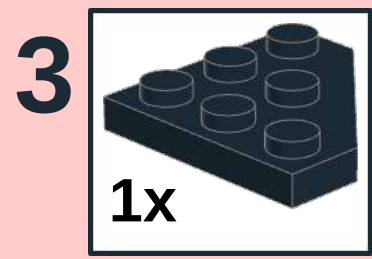


1

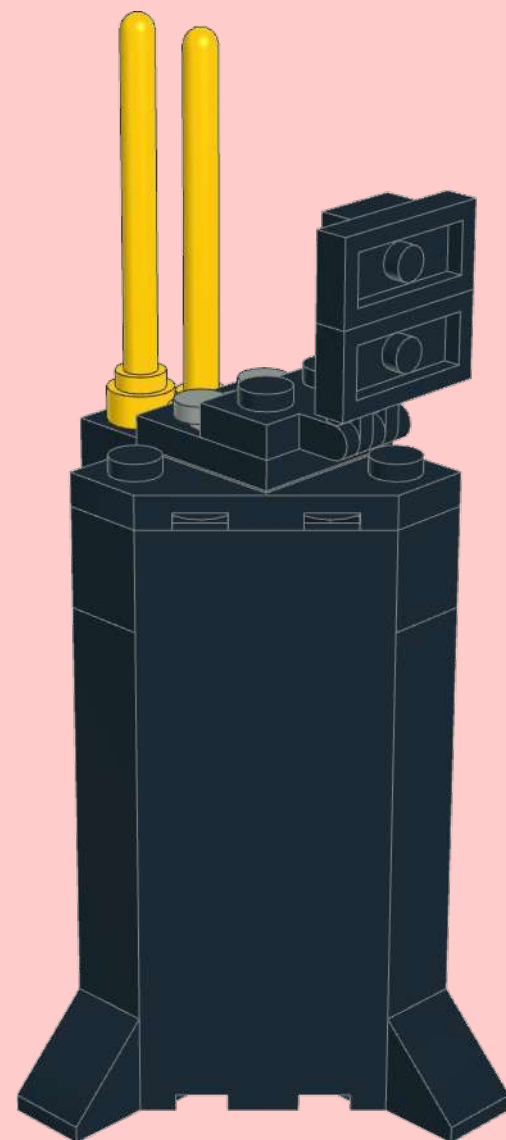
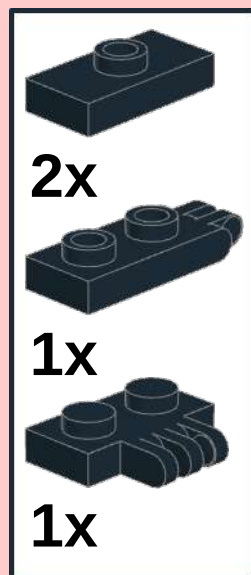


2

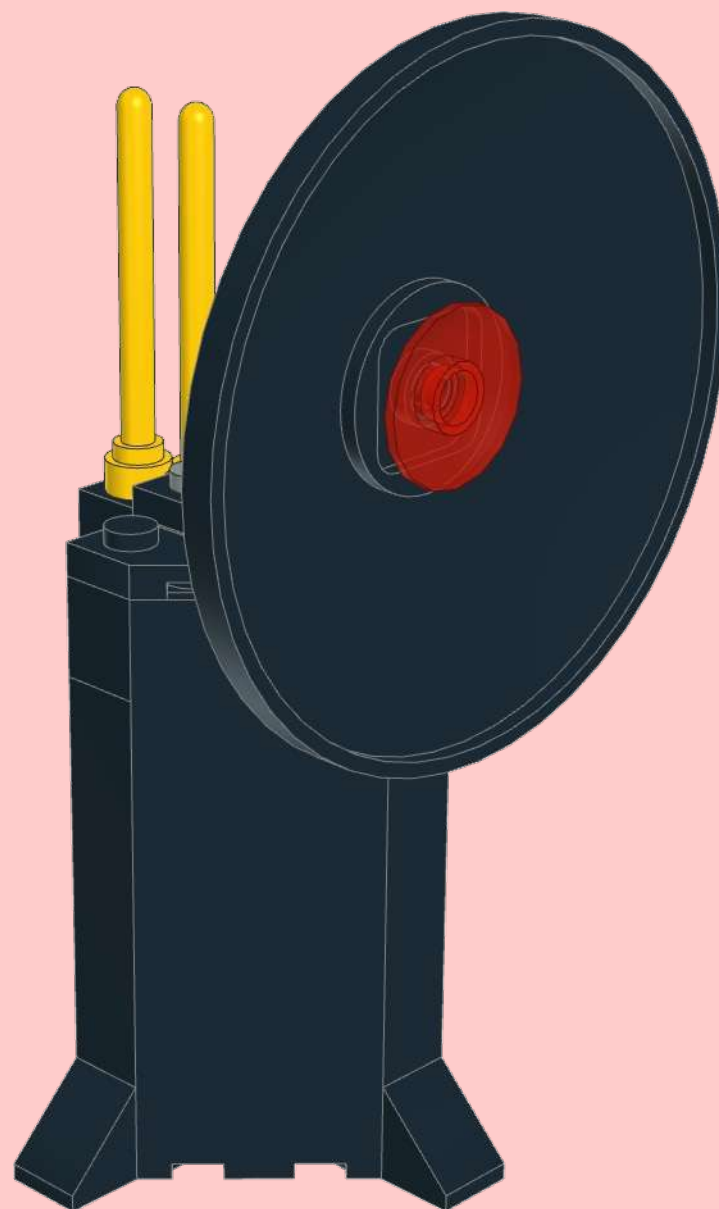
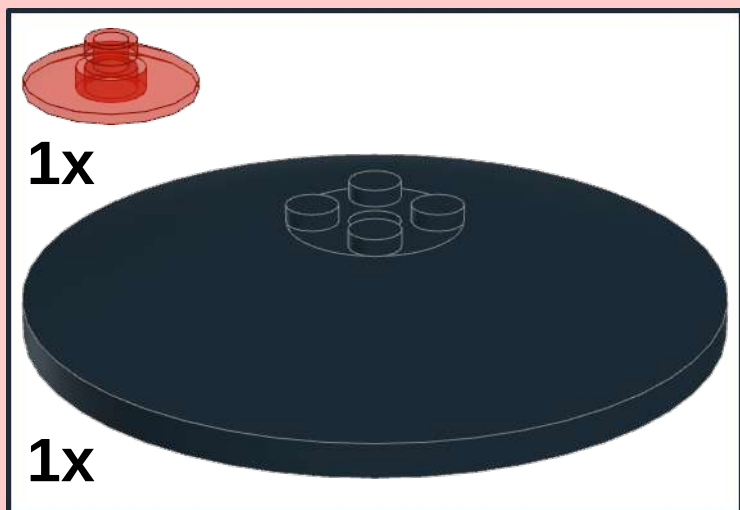


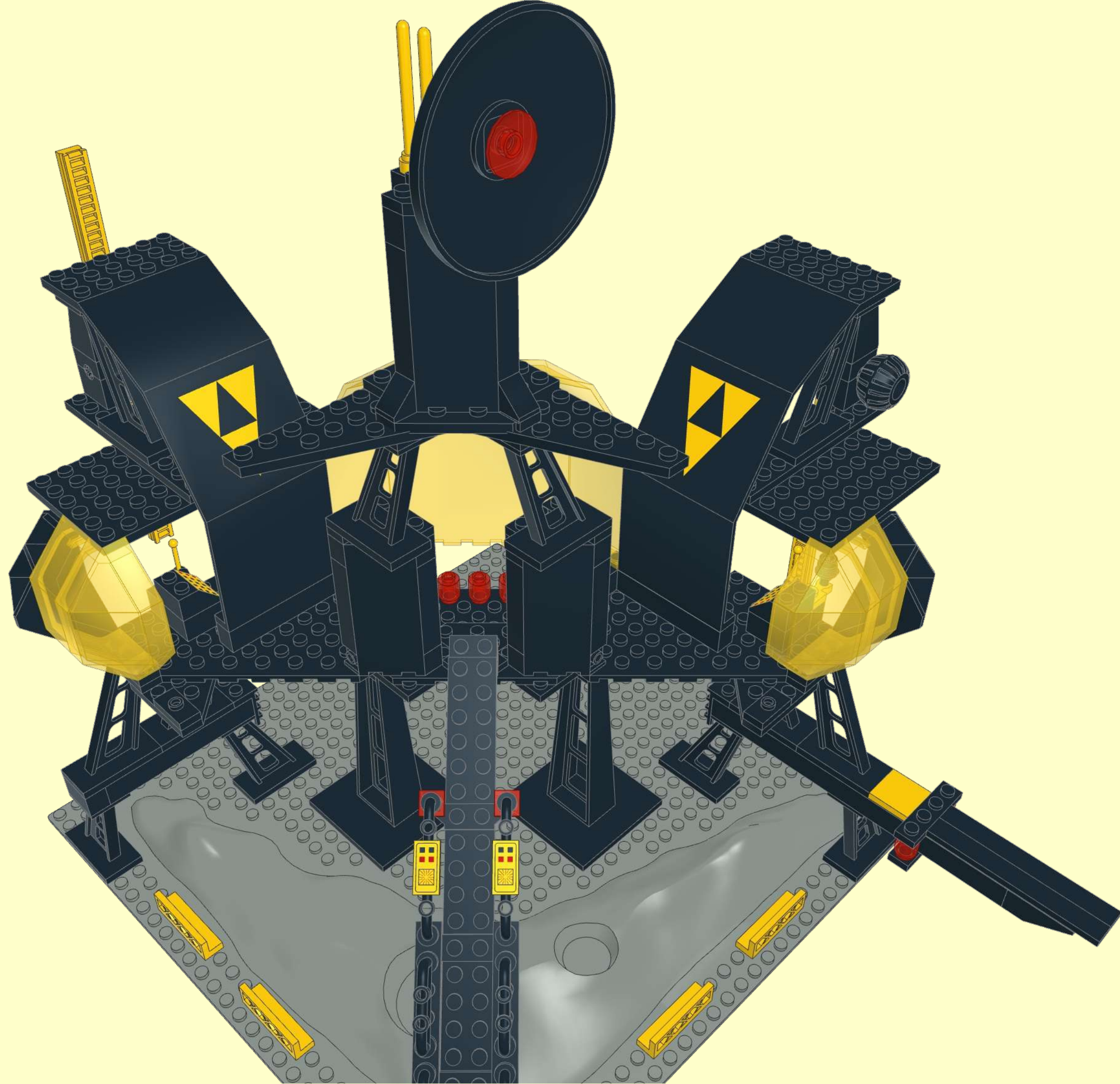


4

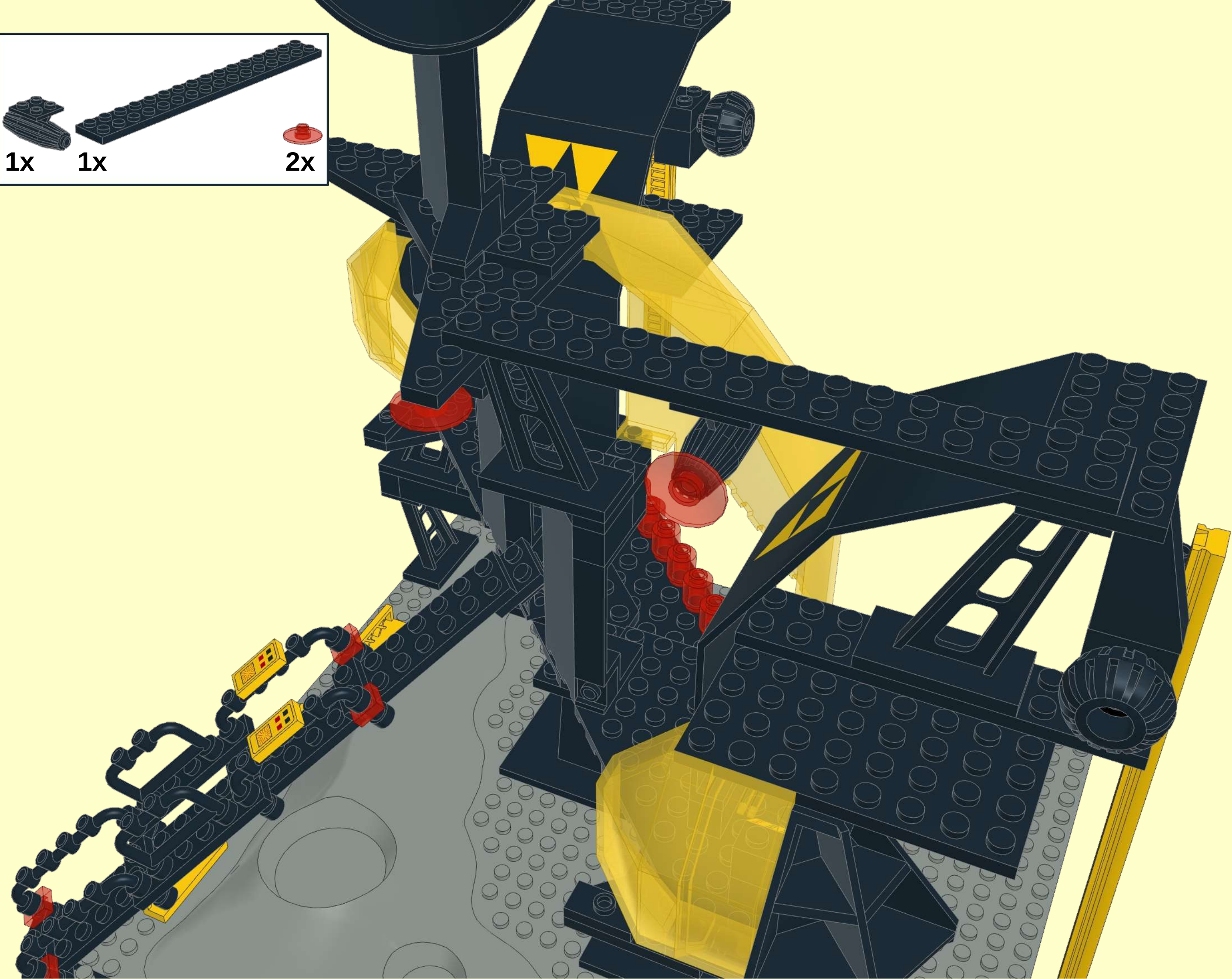
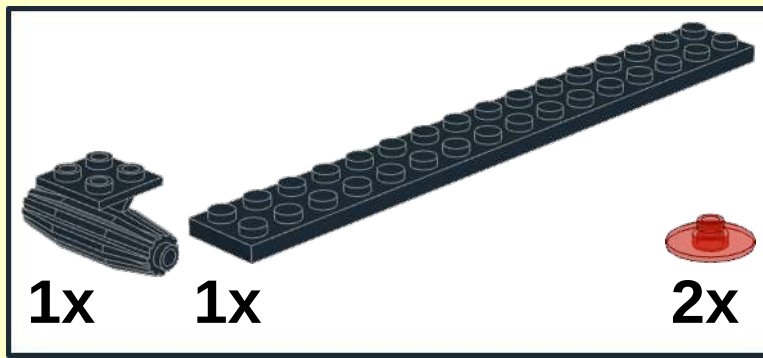


5

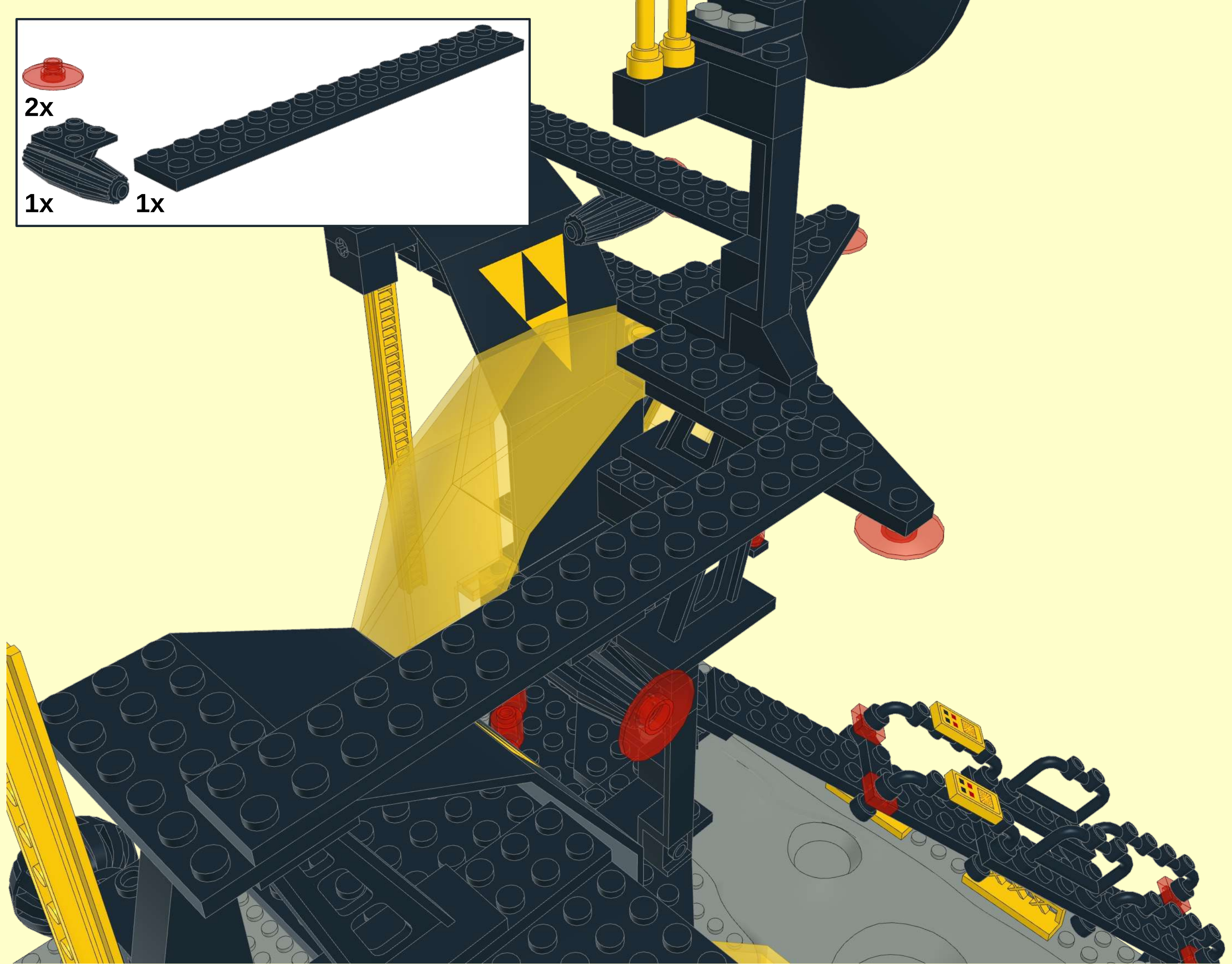
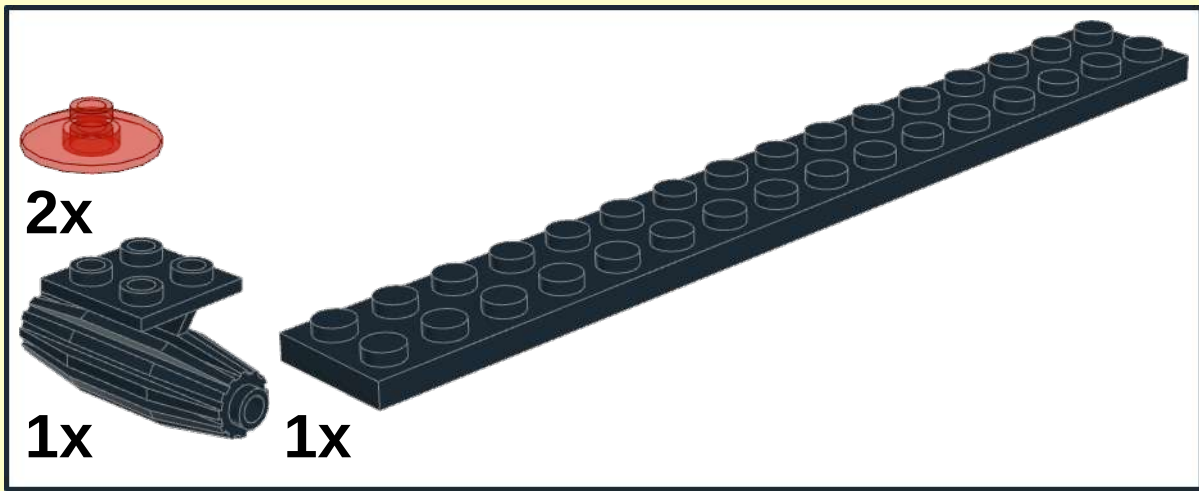


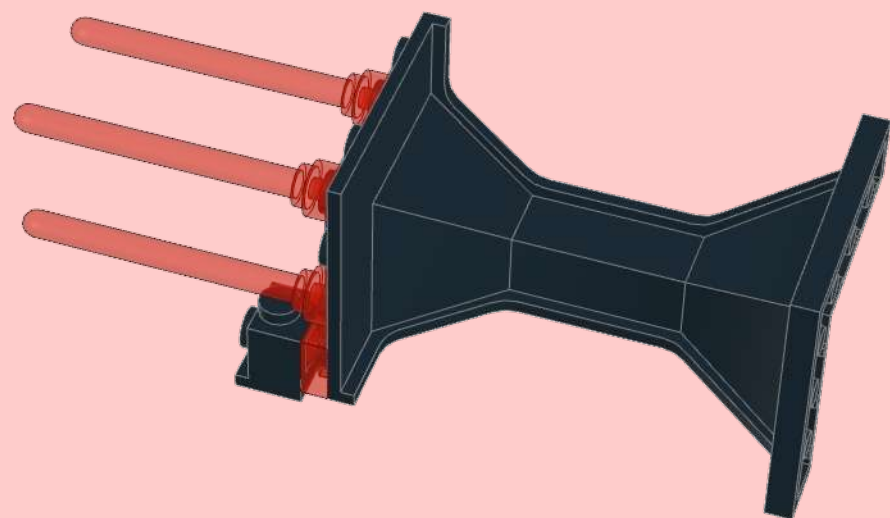
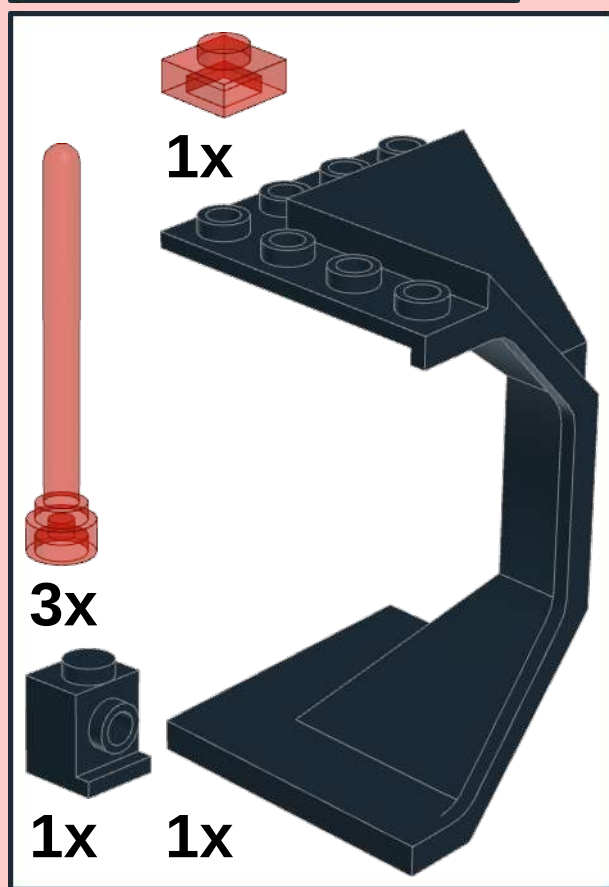
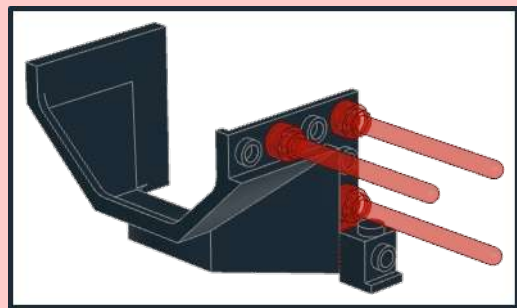


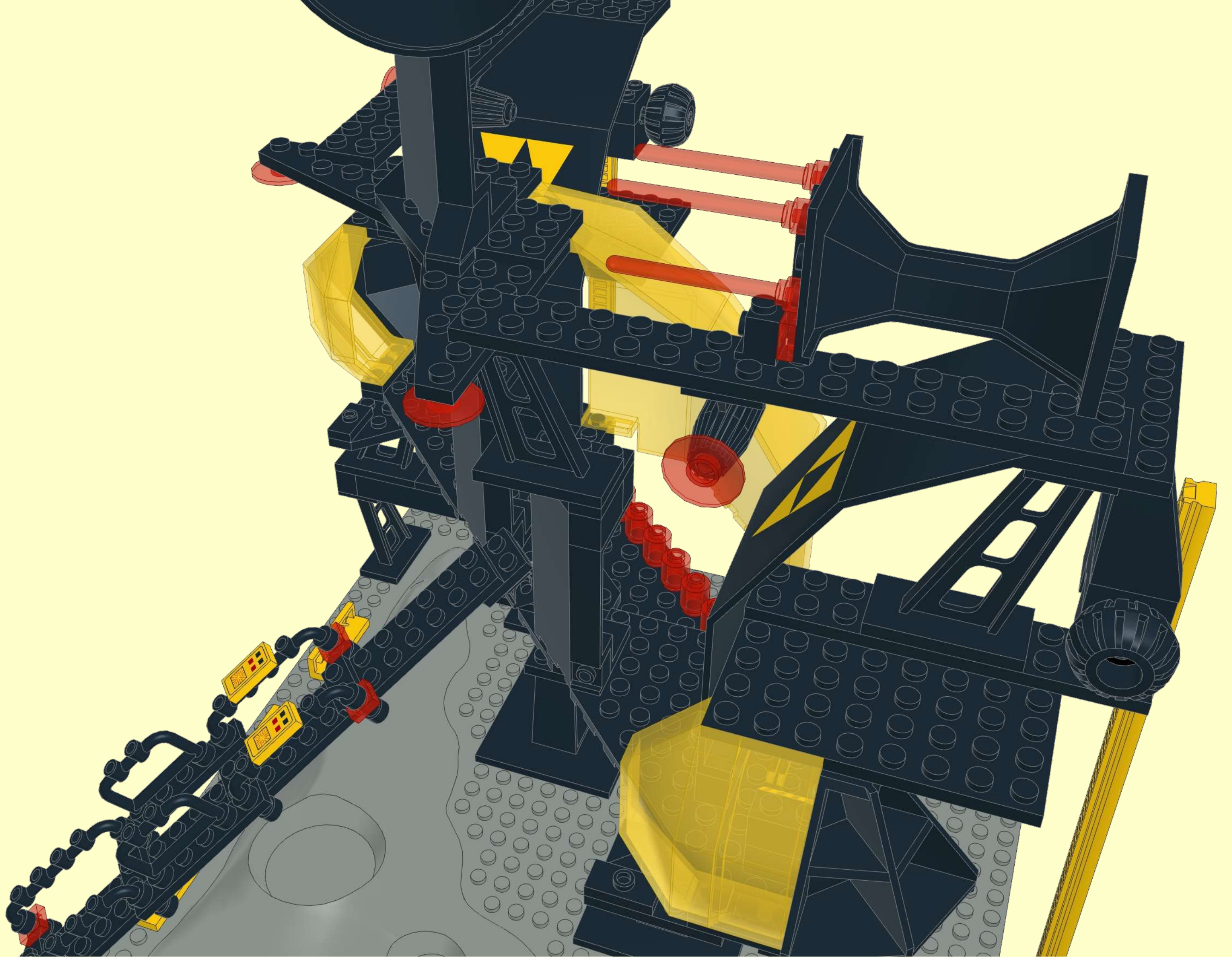
33



34

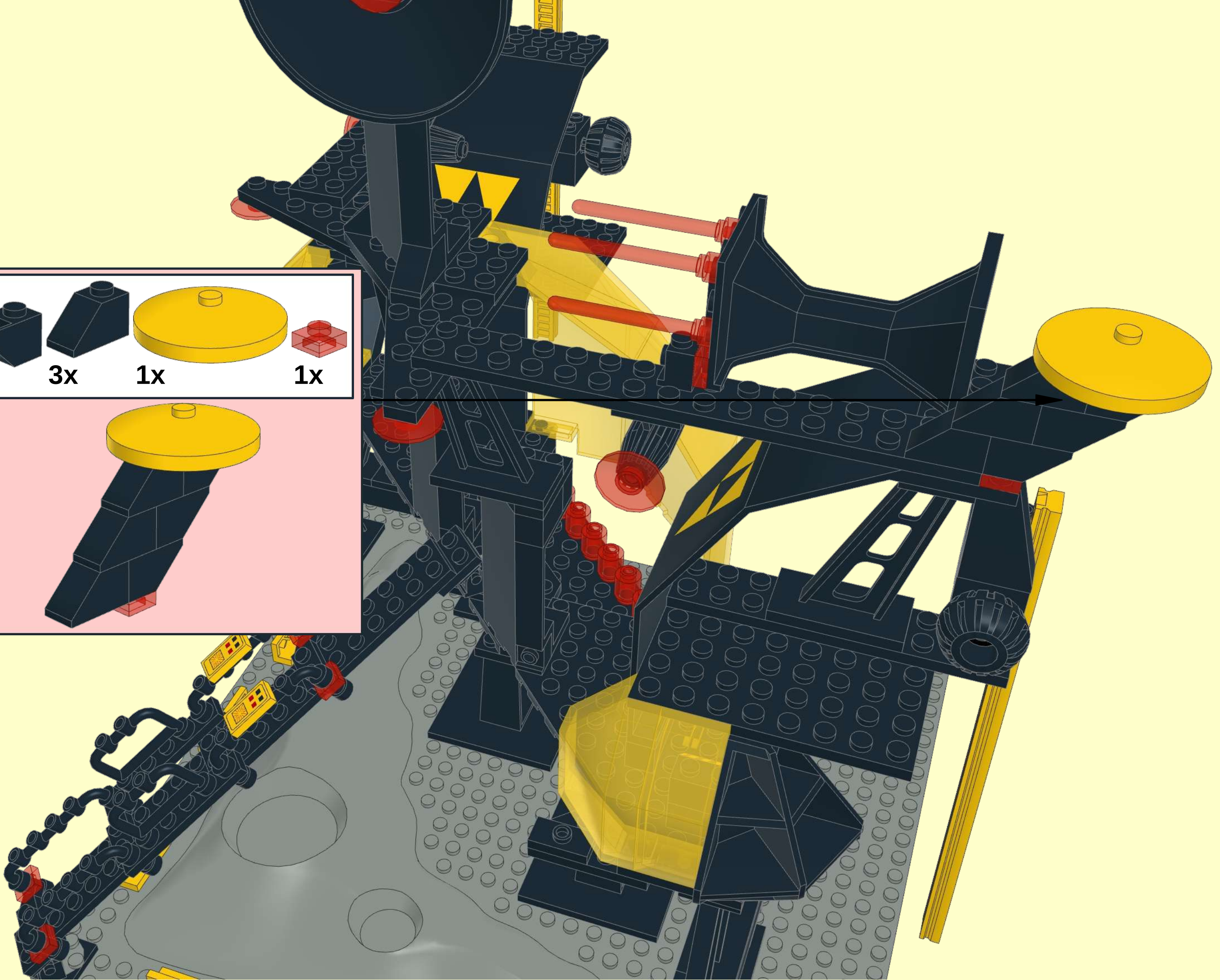


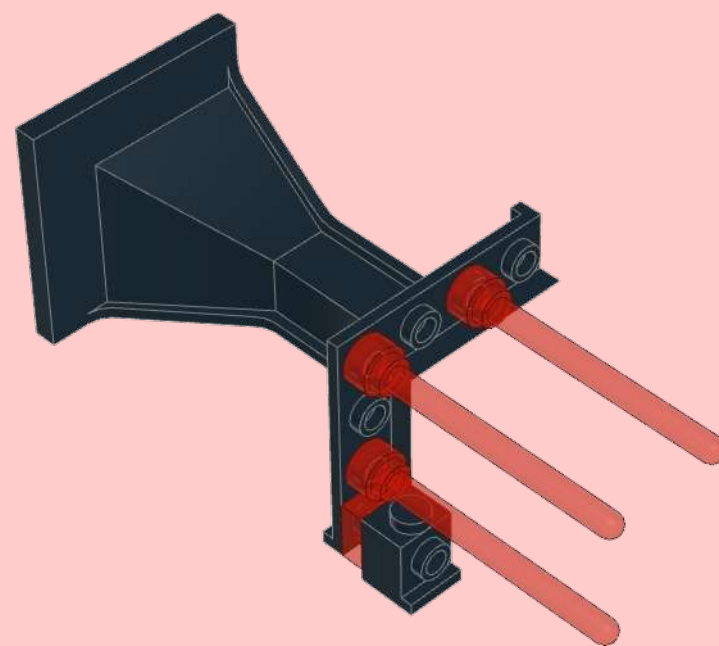
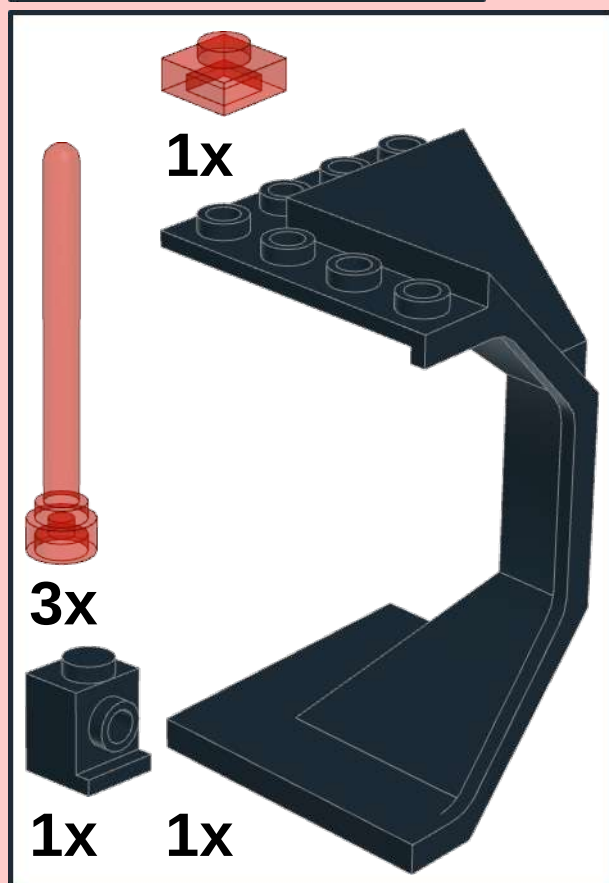
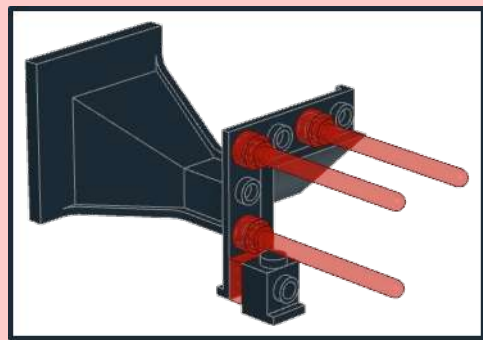




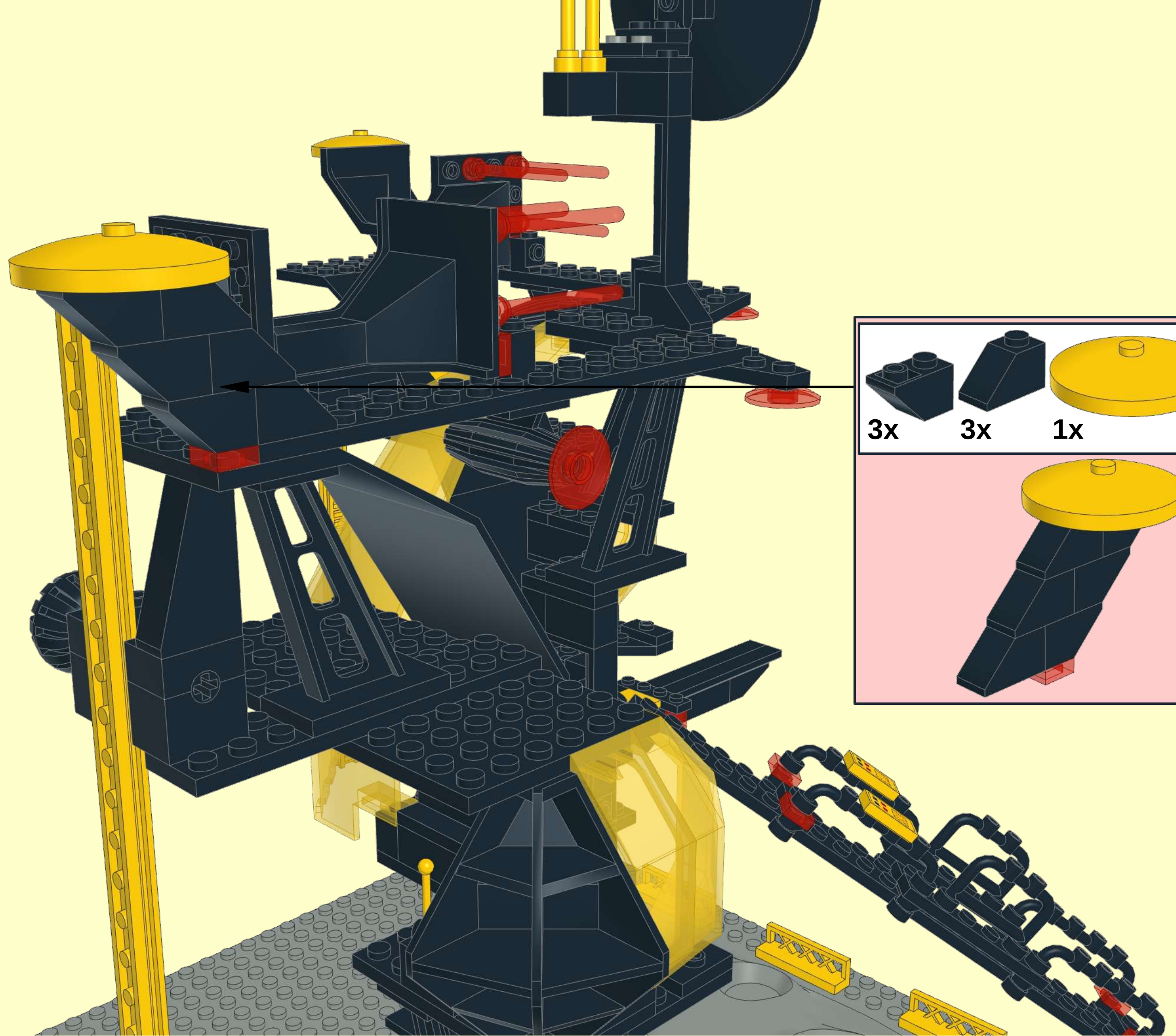
3x 3x 1x 1x

This inset shows the parts list and assembly for step 36. The parts list includes: 3x dark grey 1x3 Technic bricks with holes, 3x dark grey 1x3 Technic Technaxs bricks, 1x yellow 1x6 Technic Technaxs plate, and 1x red 1x3 Technic Technaxs brick. The assembly inset shows a yellow 1x6 Technic Technaxs plate being attached to a dark grey 1x3 Technic Technaxs brick, which is already mounted on a red 1x3 Technic Technaxs brick.









3x	3x	1x	1x

39

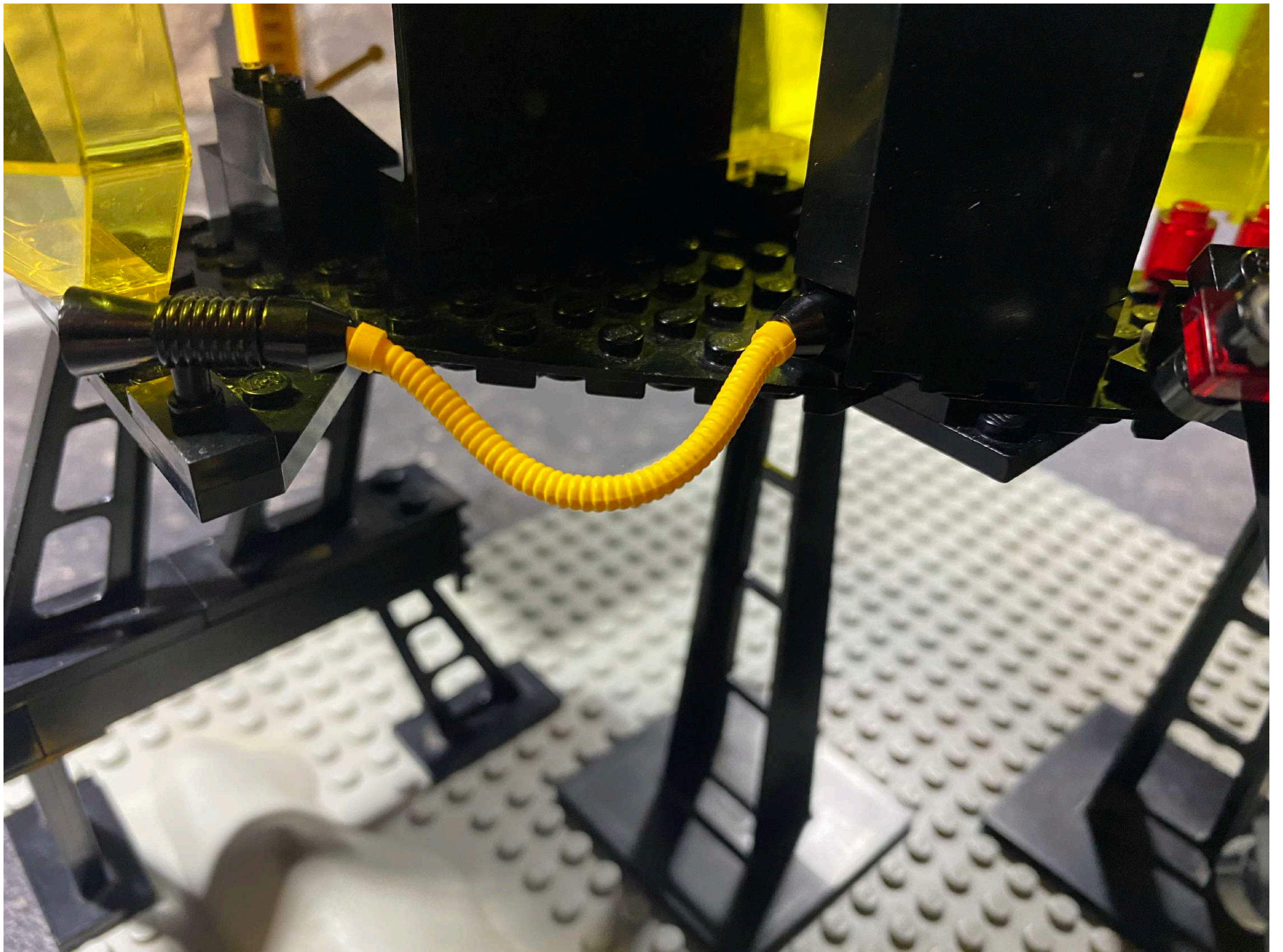


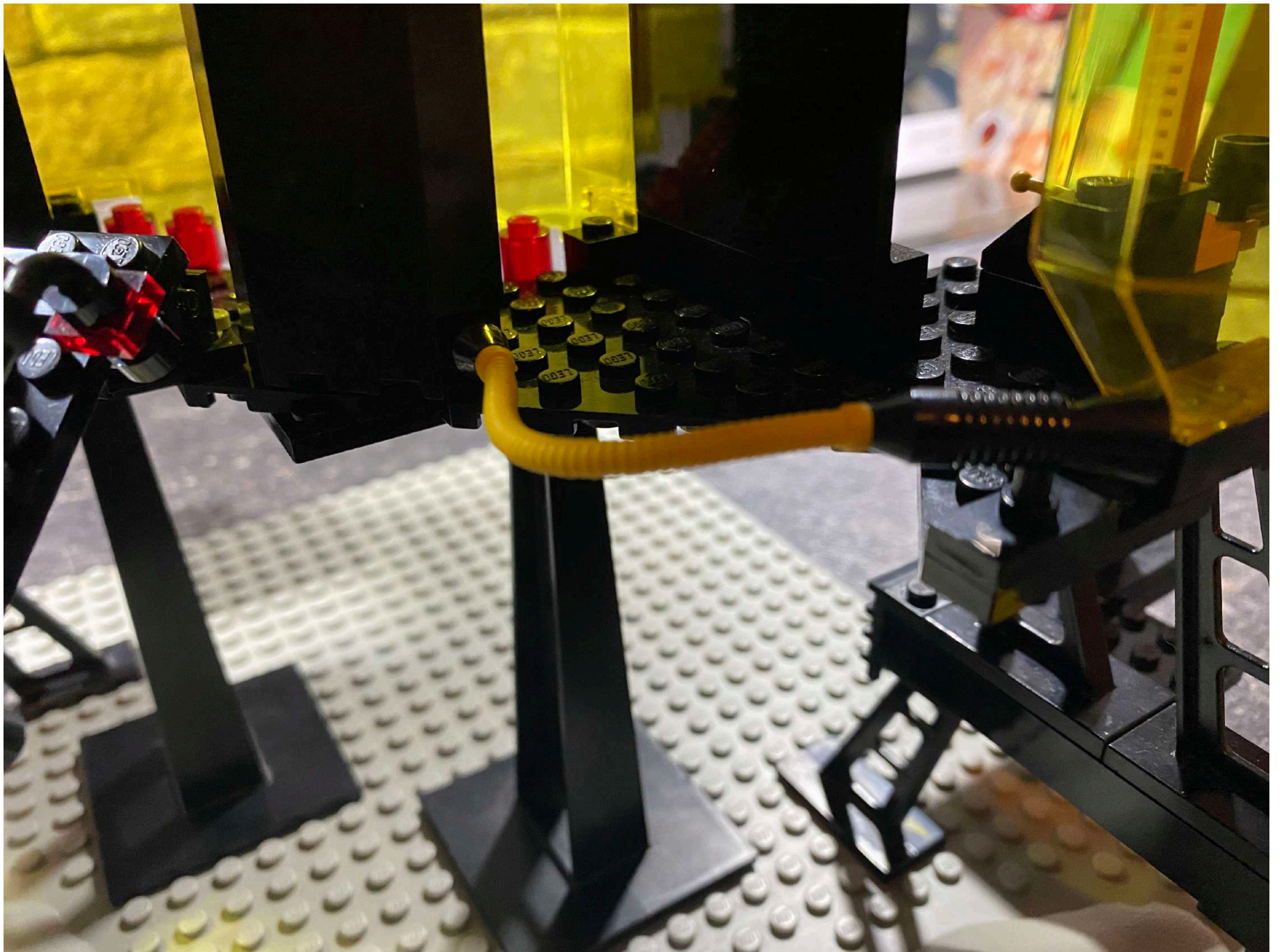
2x 

4x 

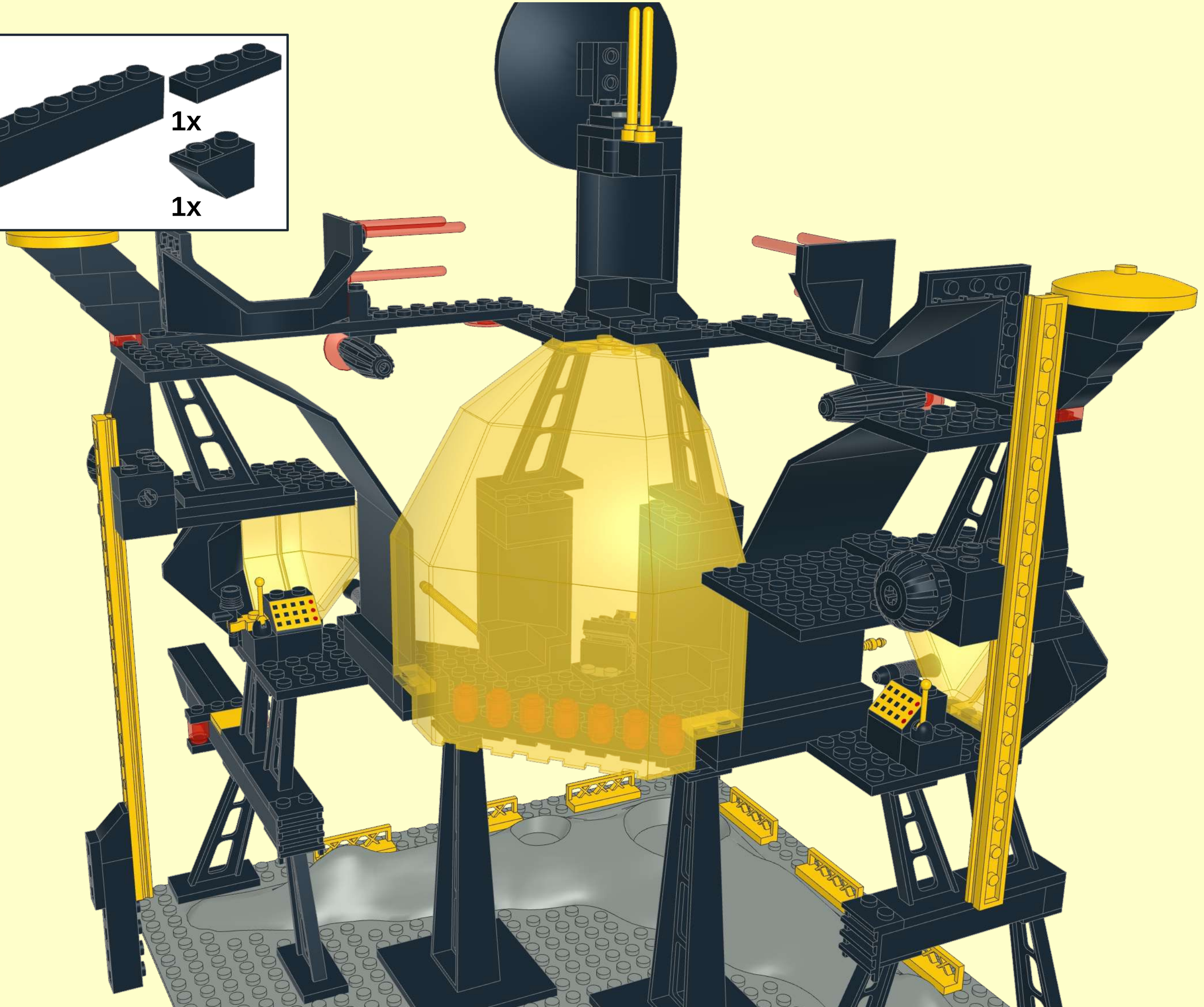
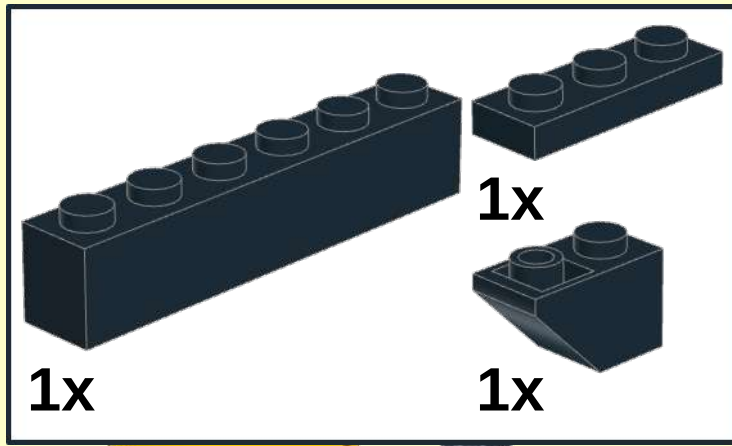
2x 







40



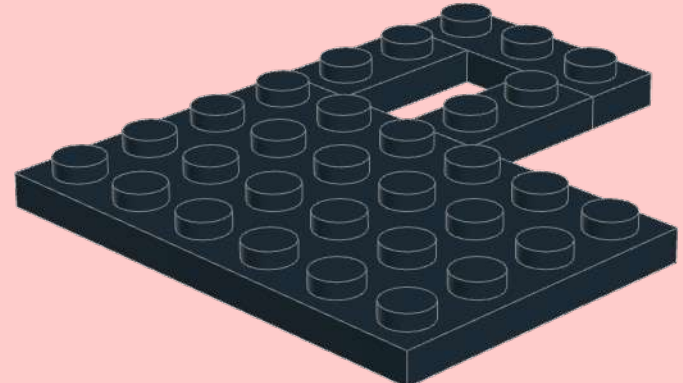


1

1x

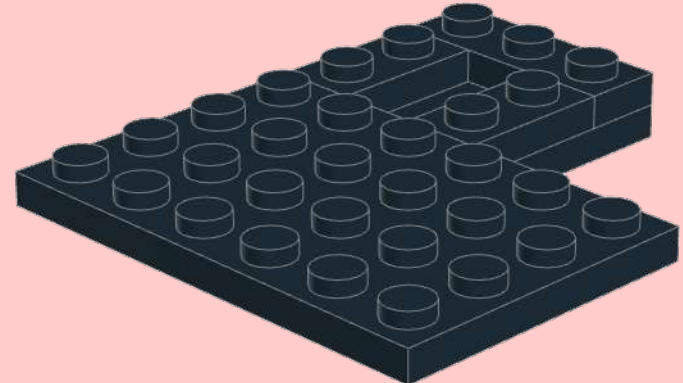
2x

1x



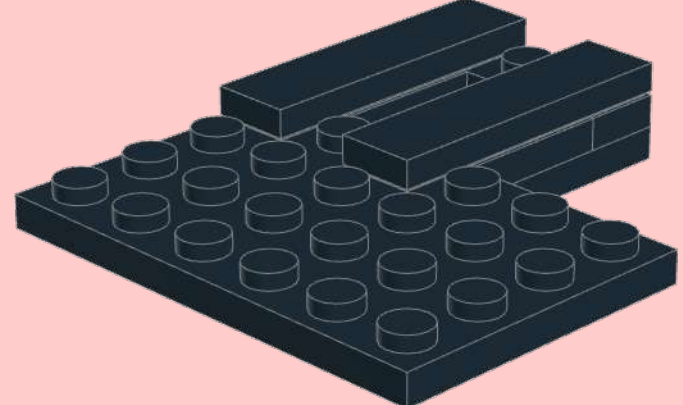
2

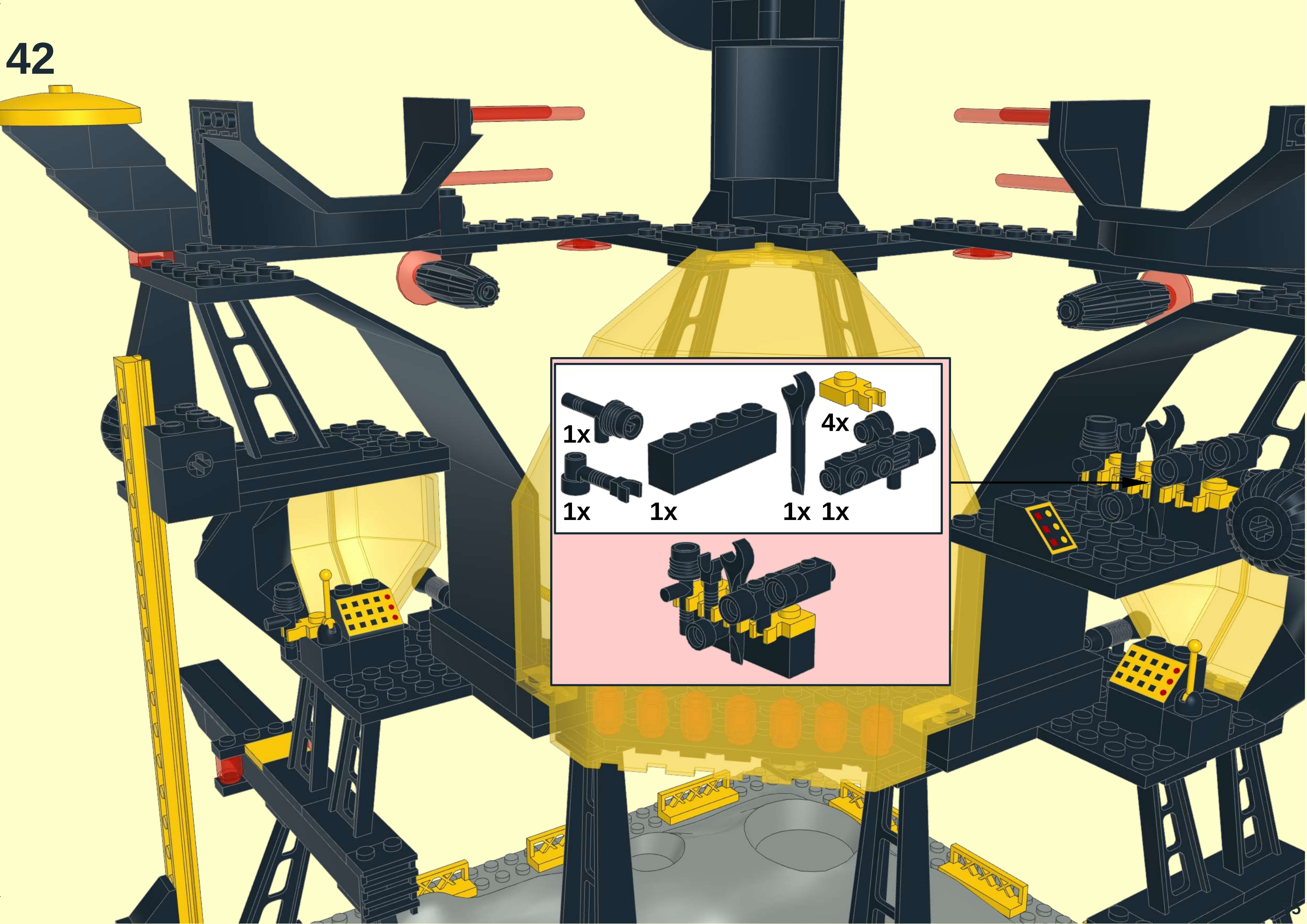
2x



3

2x

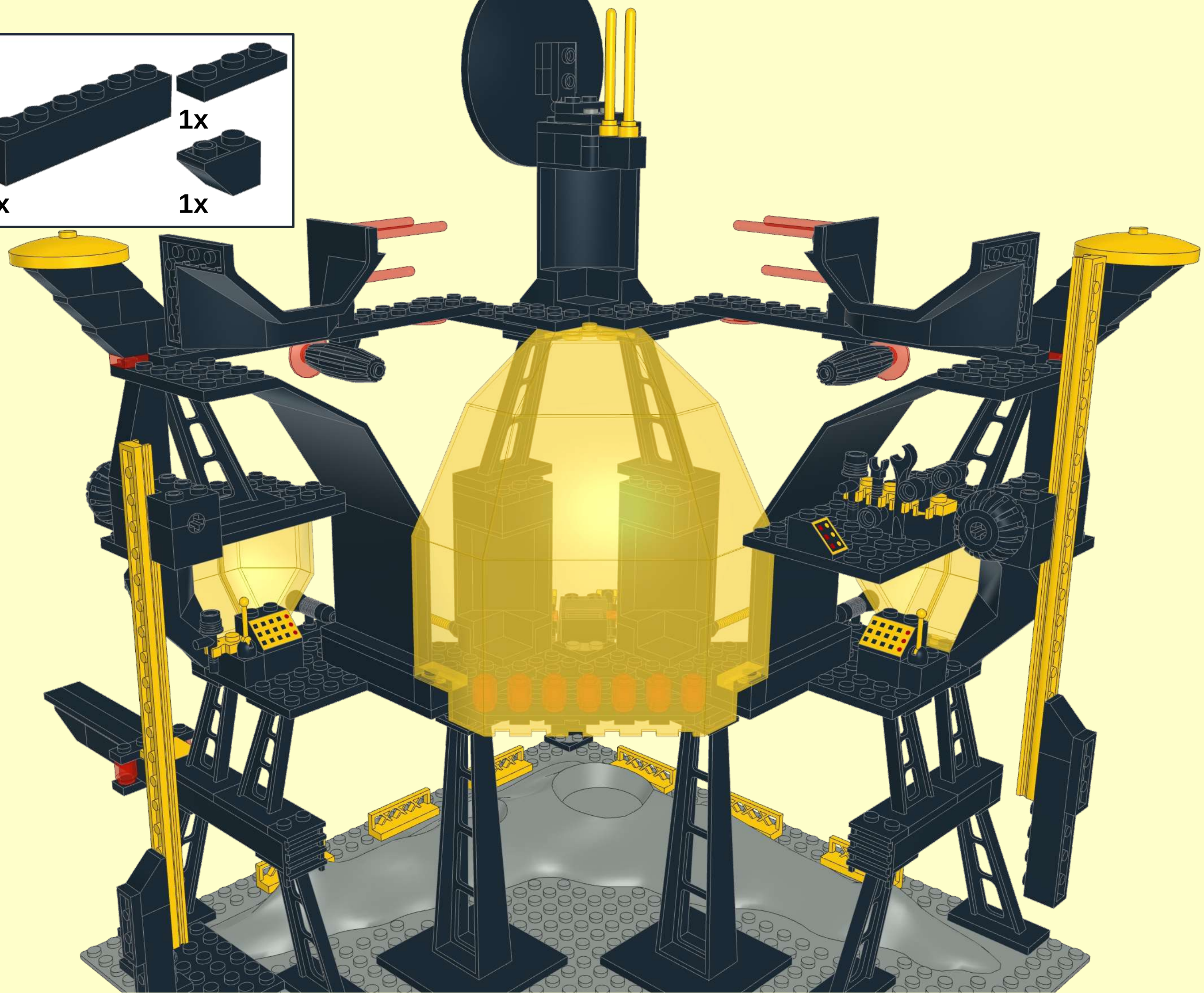
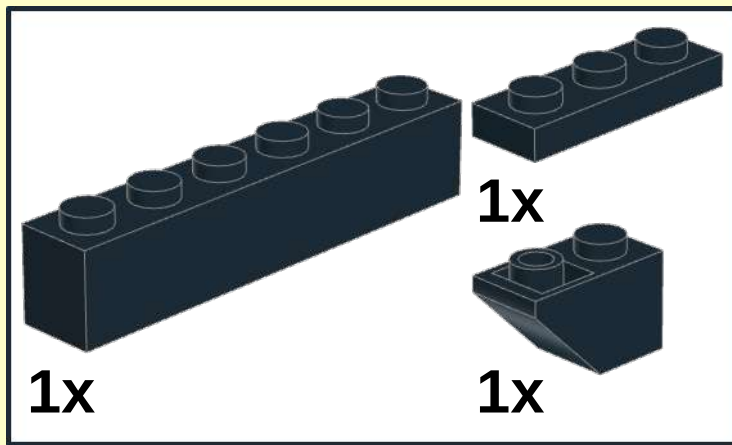


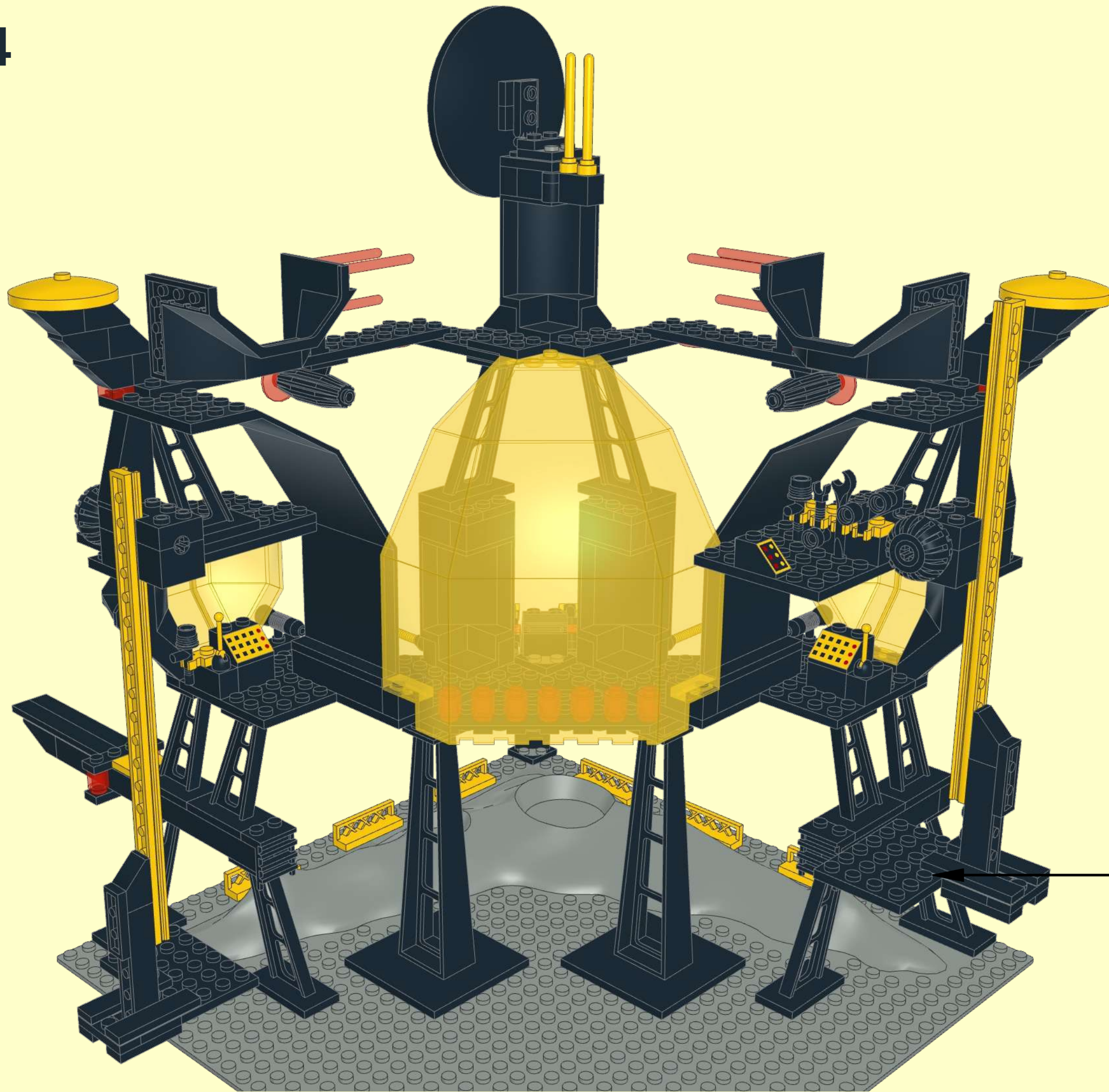


1x		1x		1x		4x	
1x		1x		1x		1x	

1x 1x 1x 1x

43





1

1x

2x

1x

2

2x

3

2x

The right side of the page contains three numbered inset diagrams illustrating the assembly steps for steps 1, 2, and 3. Each inset shows a specific black Technic part being placed on a 1x10 black Technic plate. Step 1 shows a 1x3 black Technic beam being placed on the plate. Step 2 shows a 1x3 black Technic beam being placed on the plate. Step 3 shows a 1x3 black Technic beam being placed on the plate. The insets are arranged vertically and are connected to the main assembly diagram by lines.

