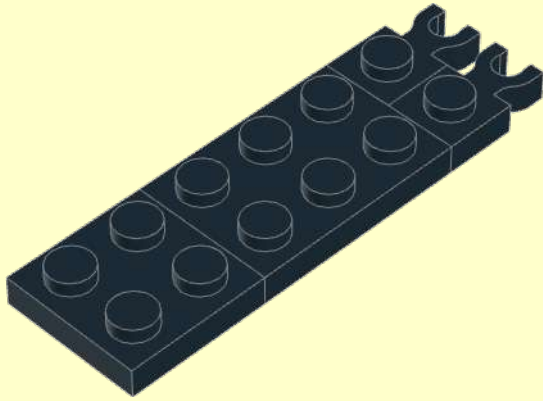
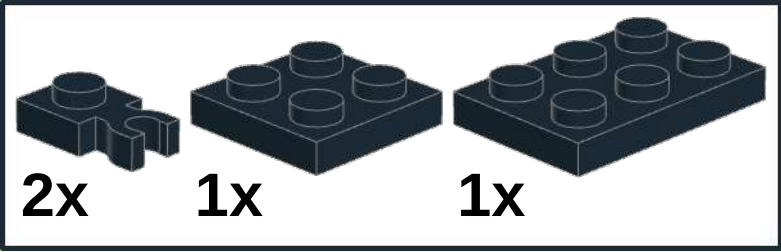
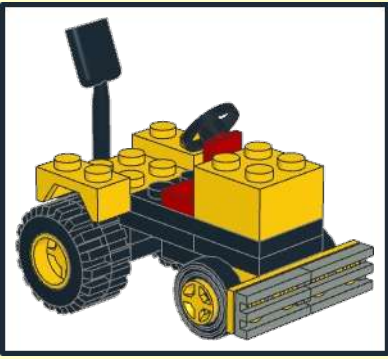
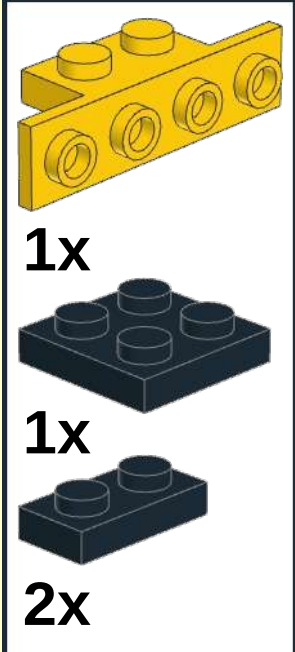


1



2

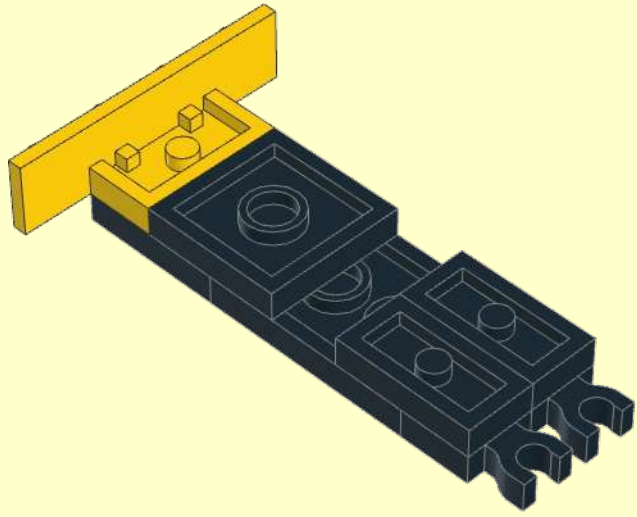


1x

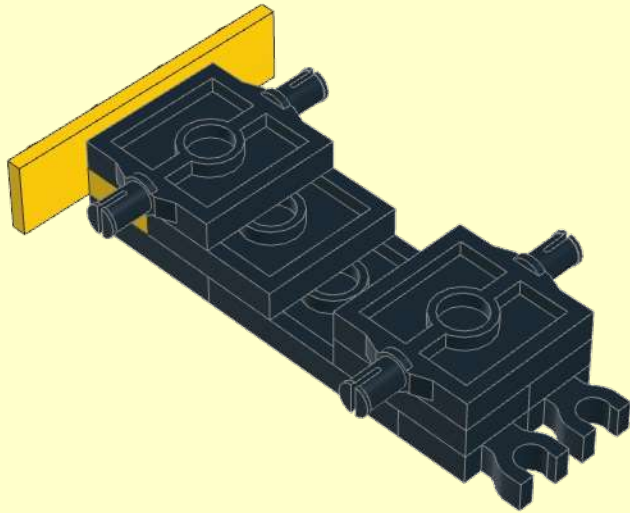
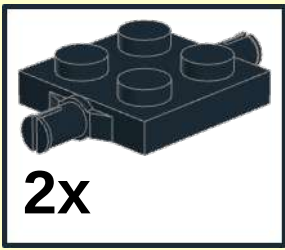
1x

2x

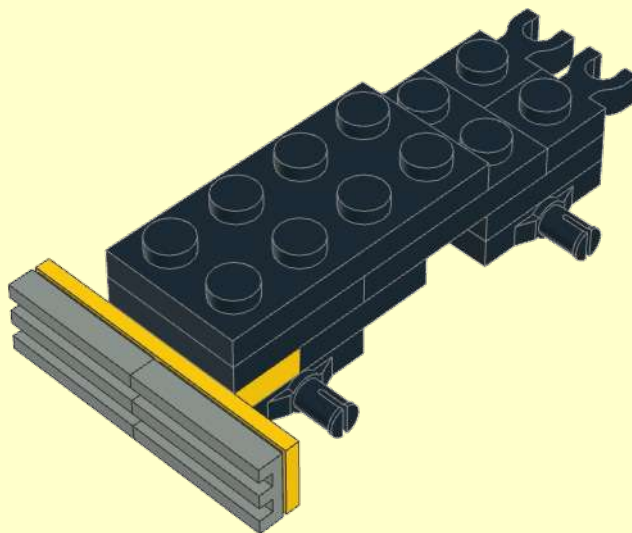
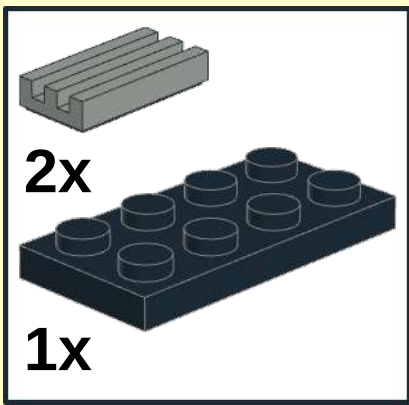
This block contains a list of parts for step 2. At the top is a yellow 1x5 Technic beam with two pins inserted into the second and third holes. Below it is a dark grey 1x4 Technic plate with four pins inserted into the four holes. Below that is a dark grey 1x2 Technic plate with two pins inserted into the two holes. At the bottom is the number '2x'.



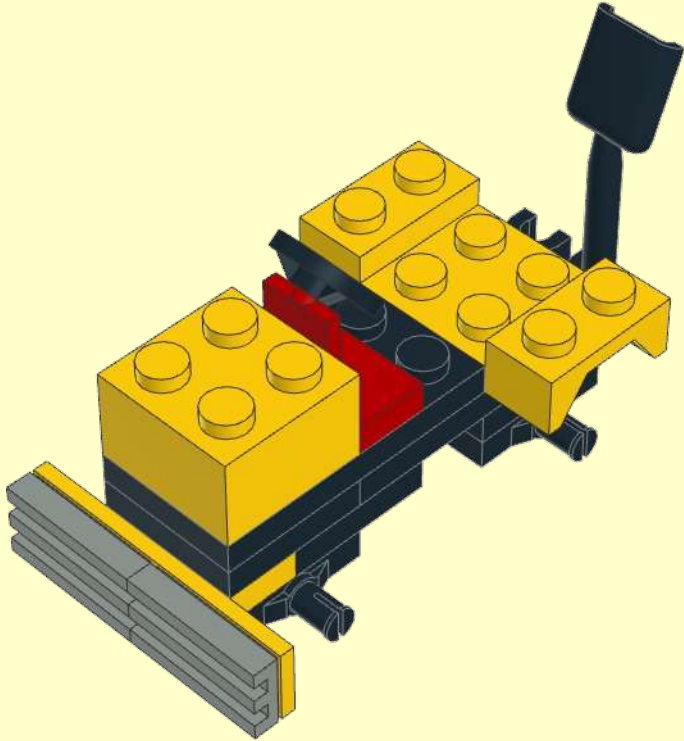
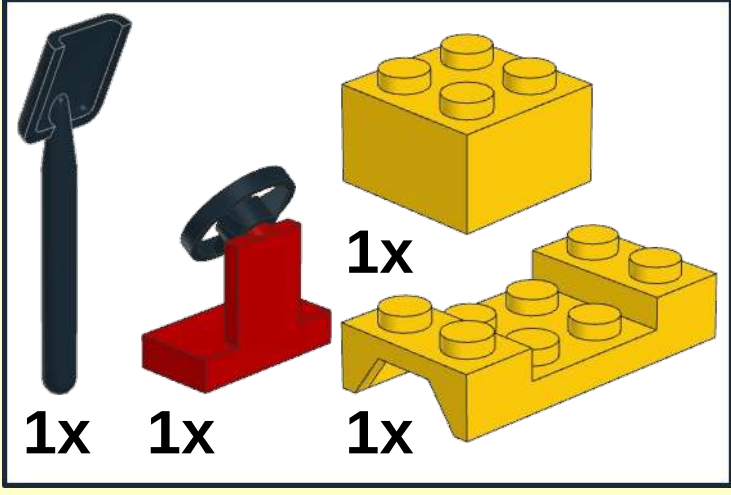
3



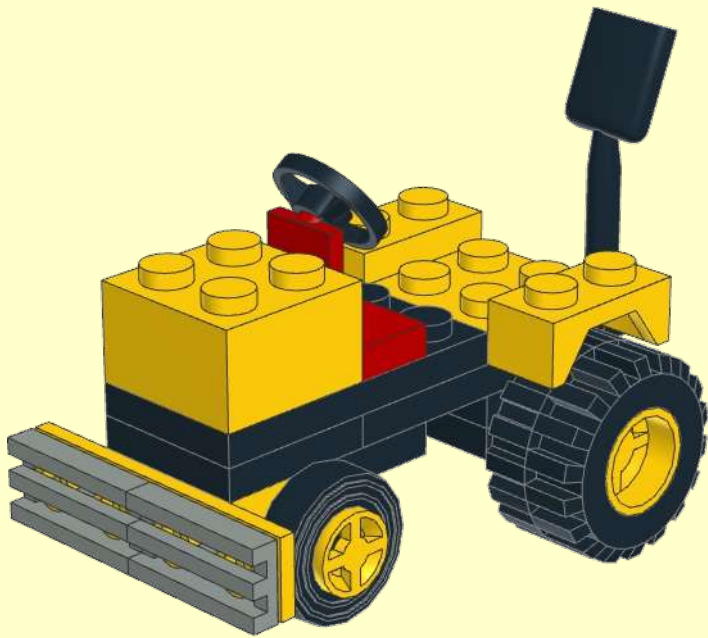
4



5



6





7

