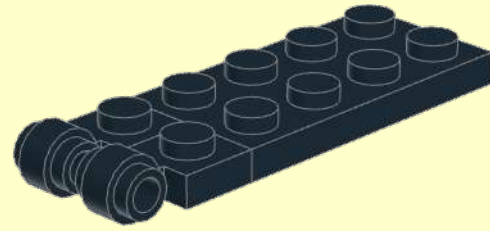
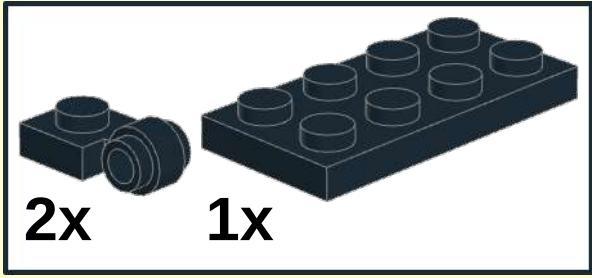
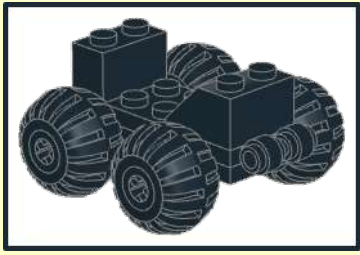
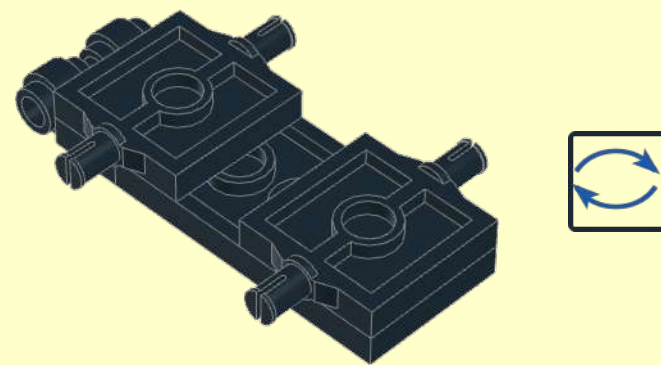
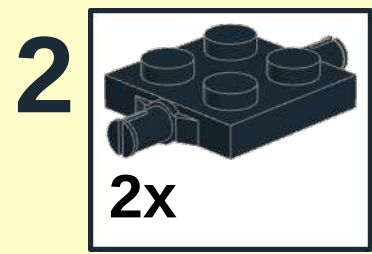
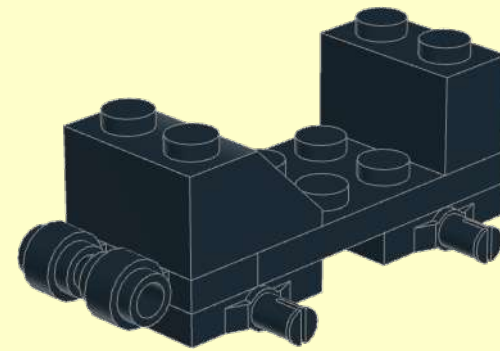
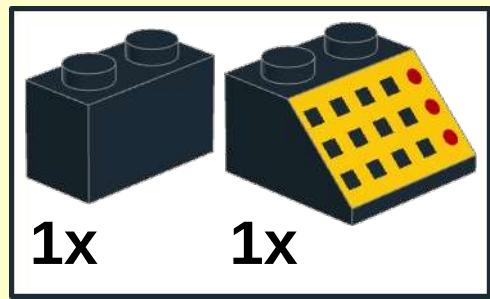


1

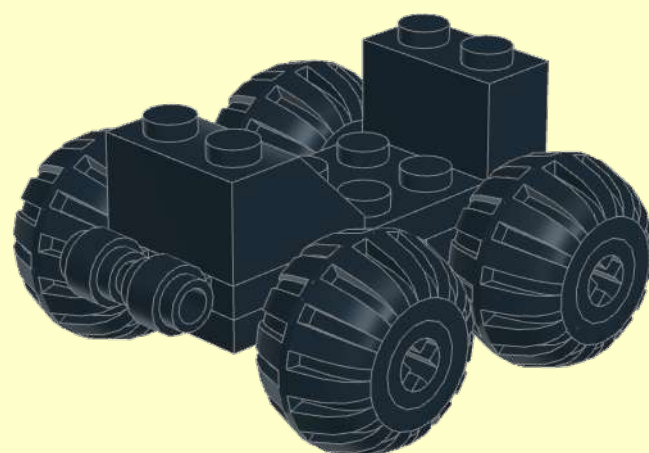
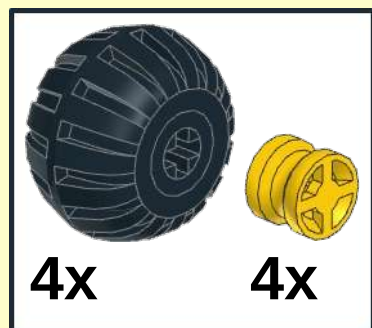




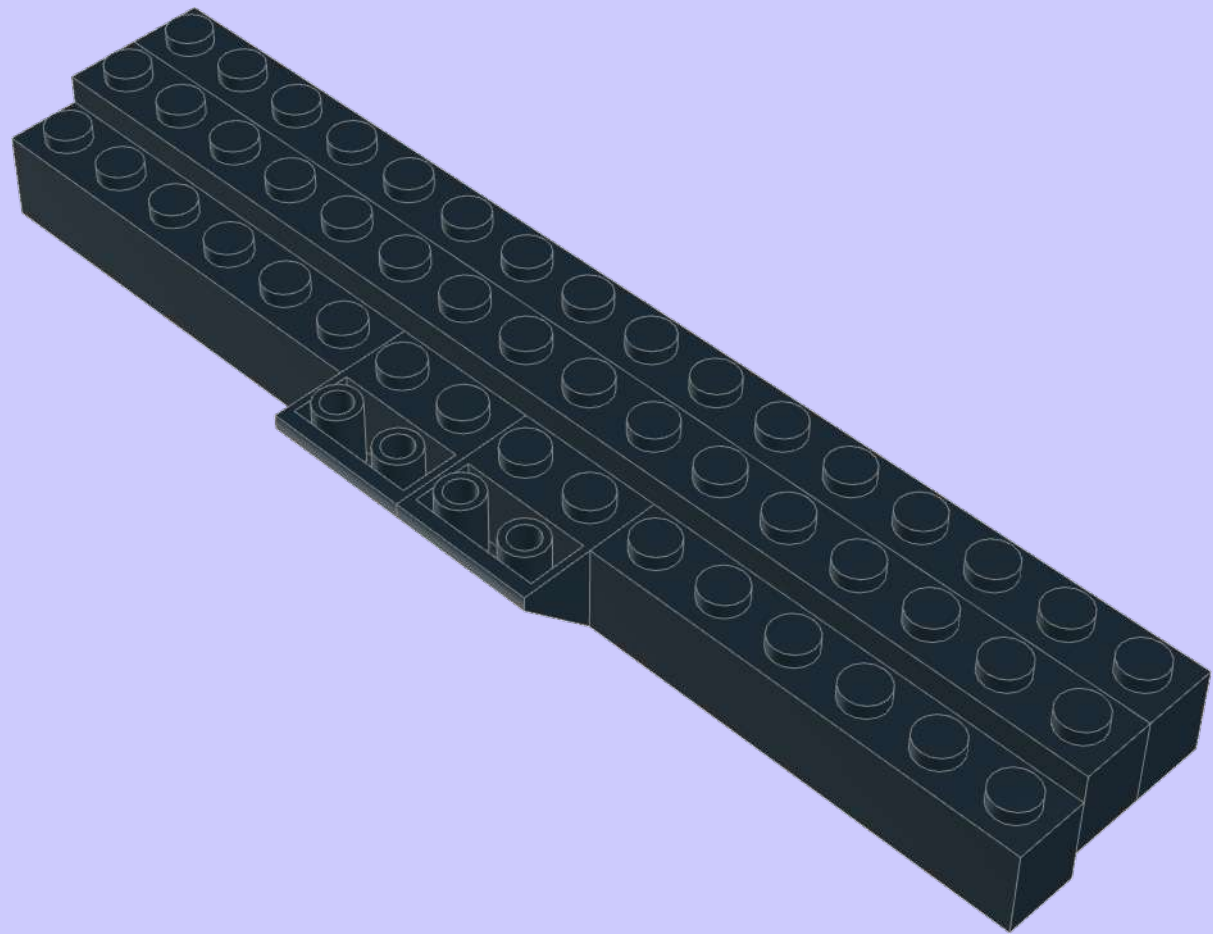
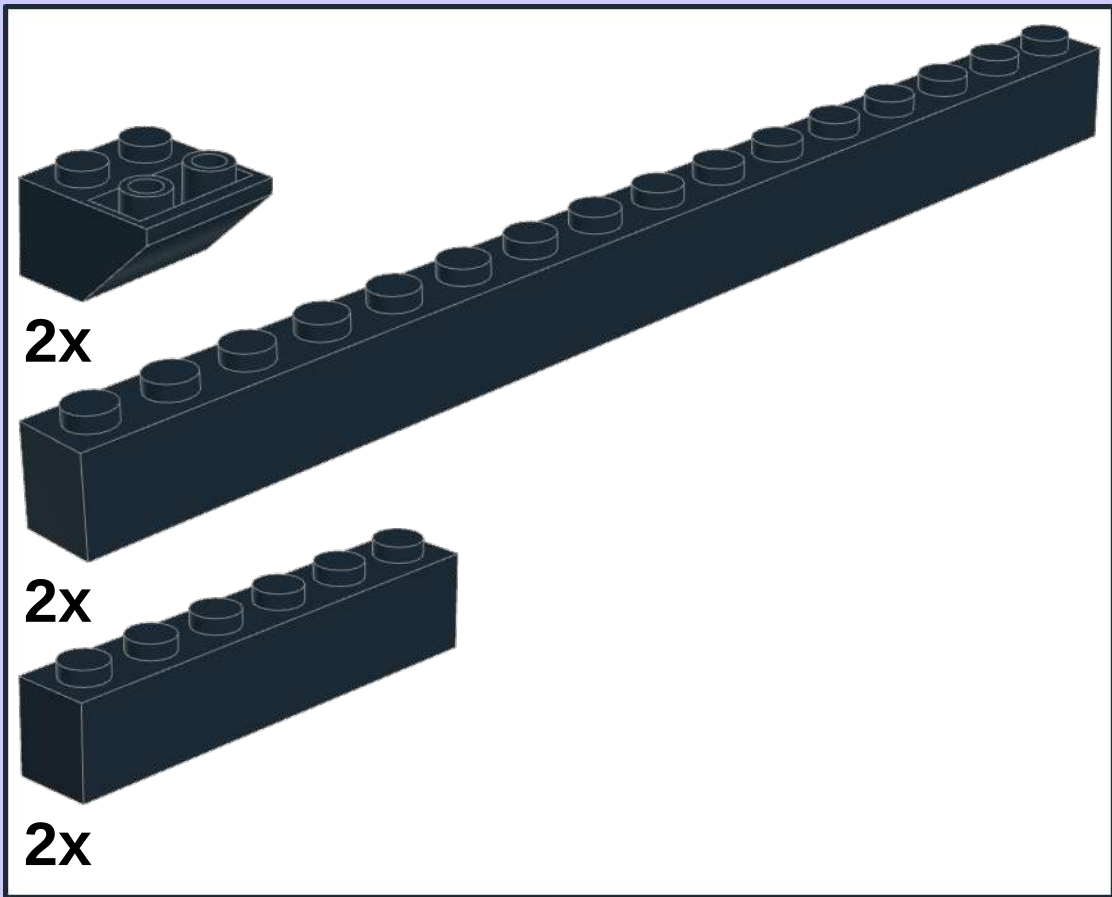
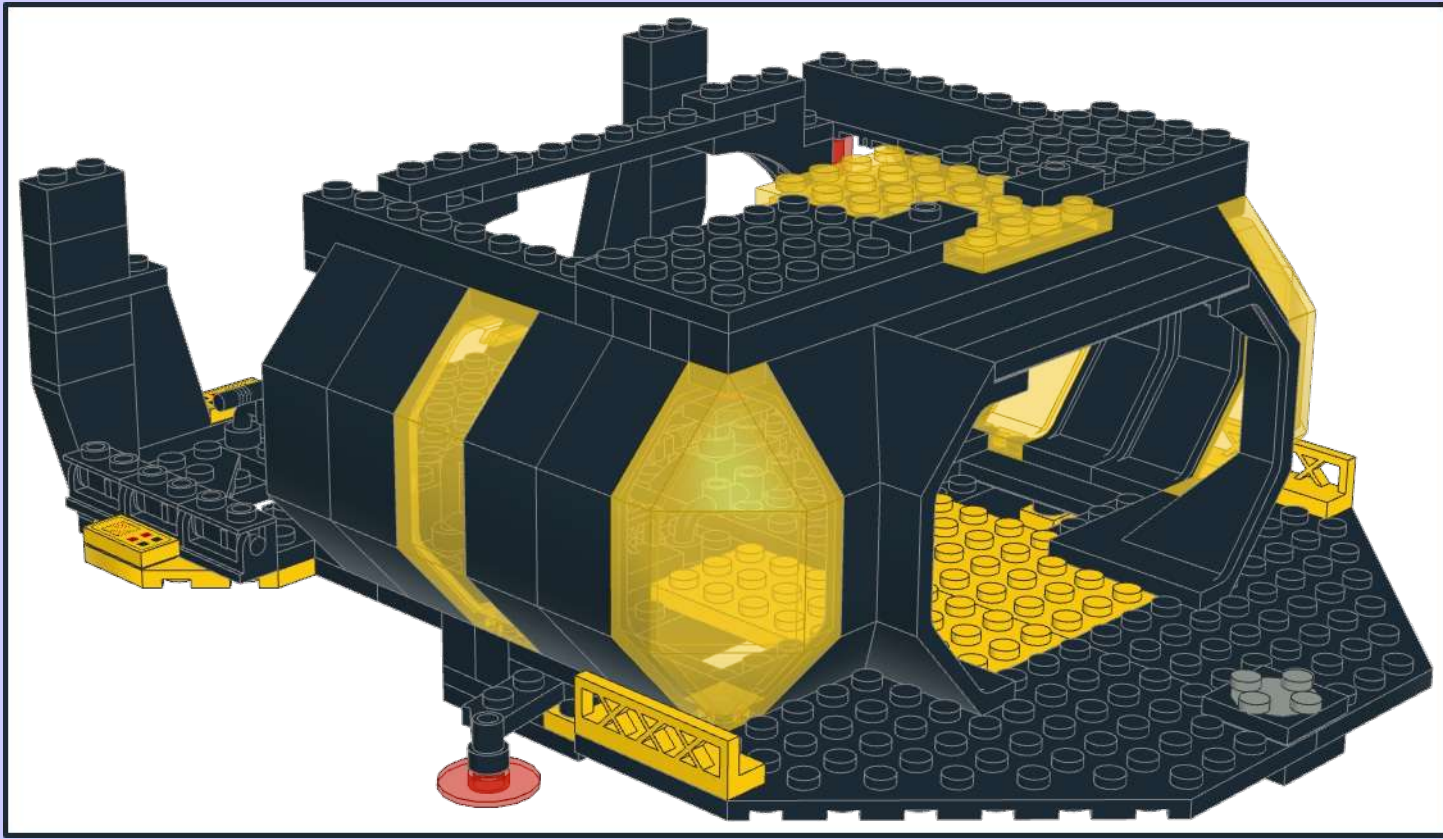
3

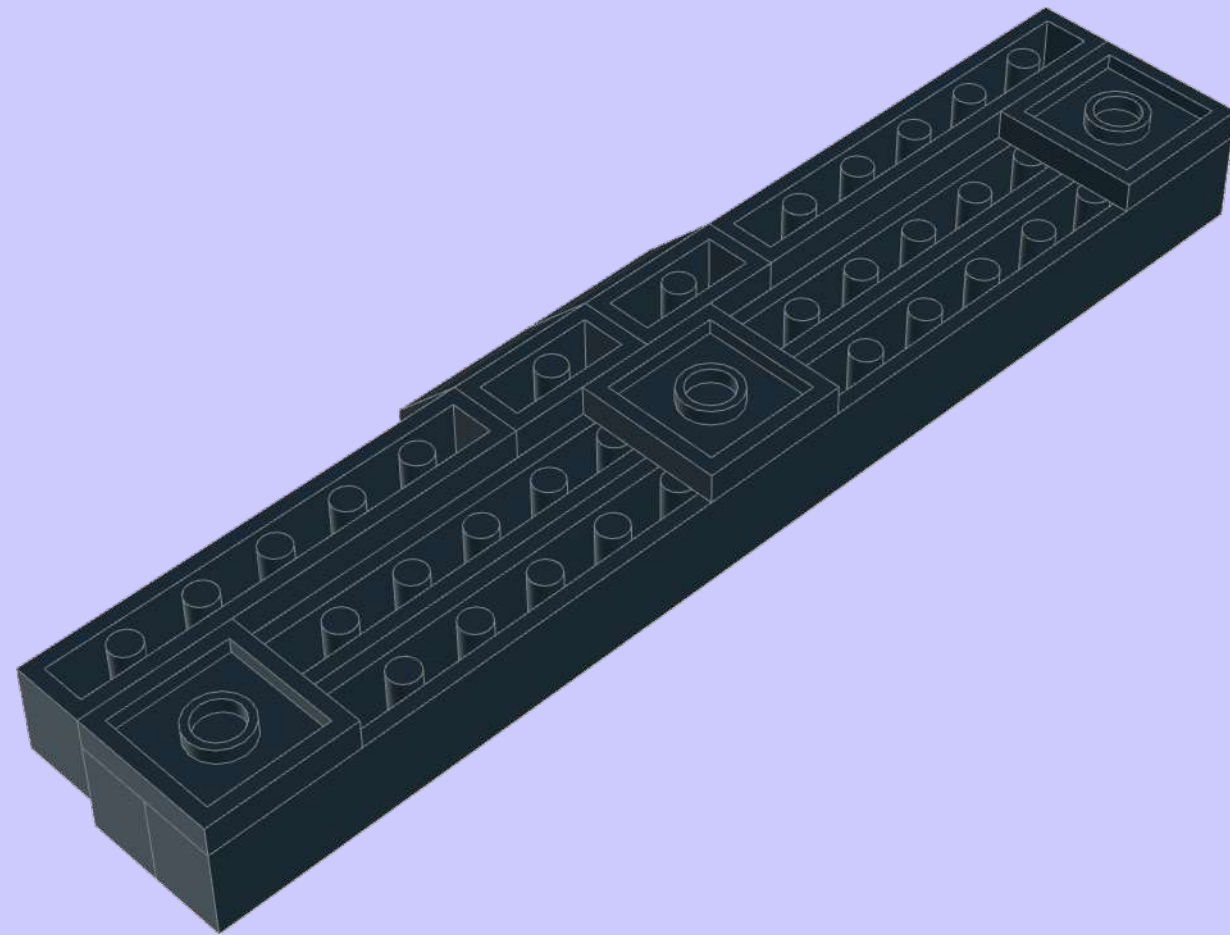
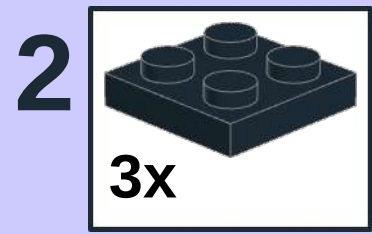


4

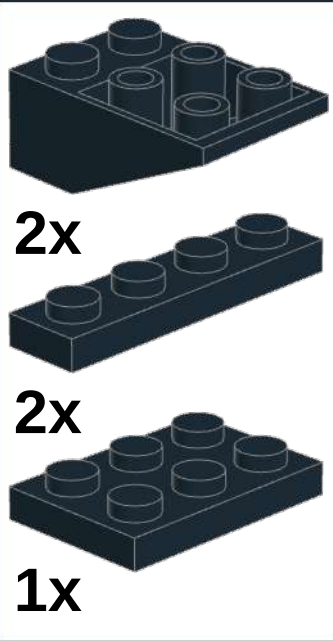


1





3

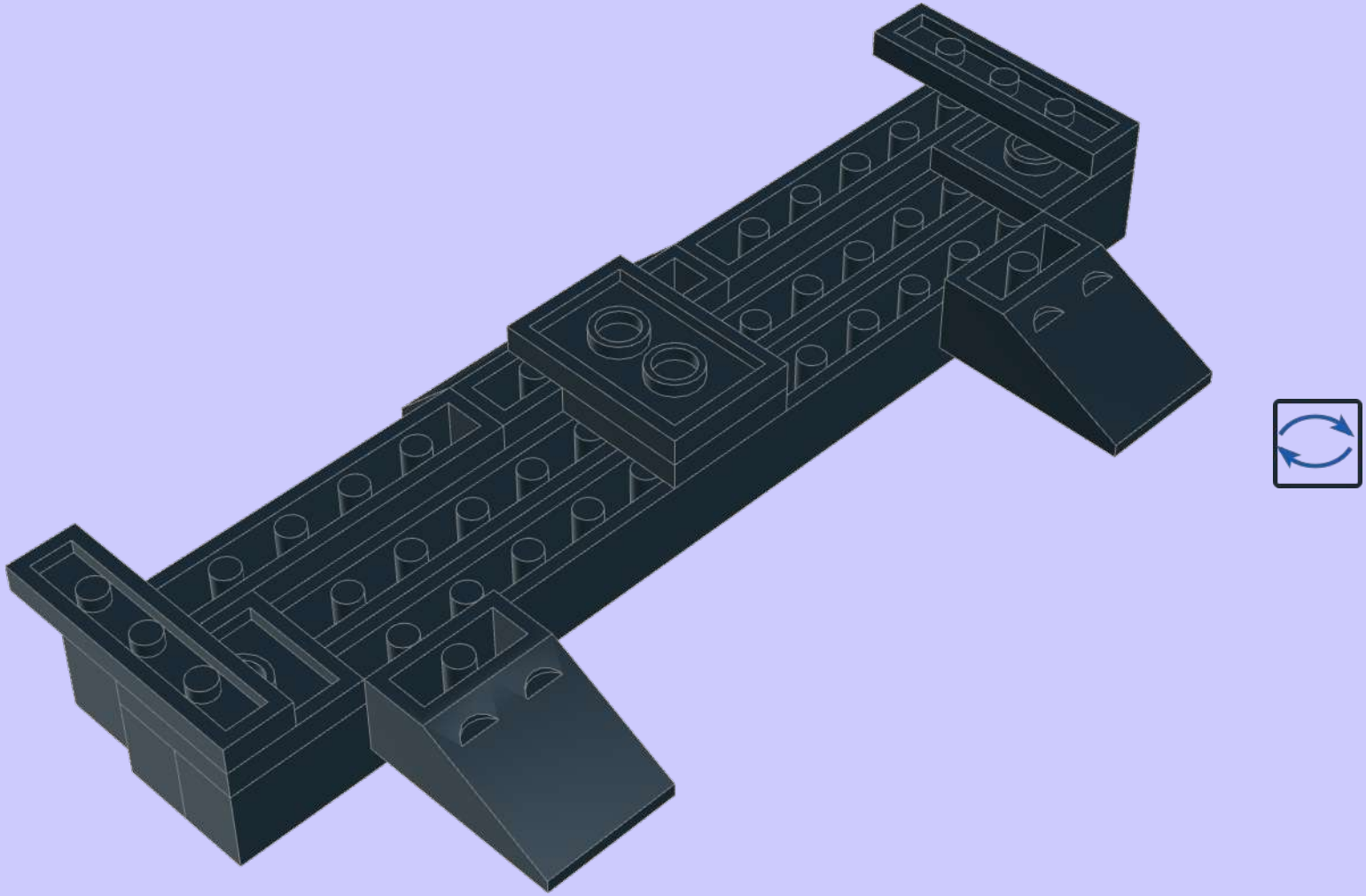


2x

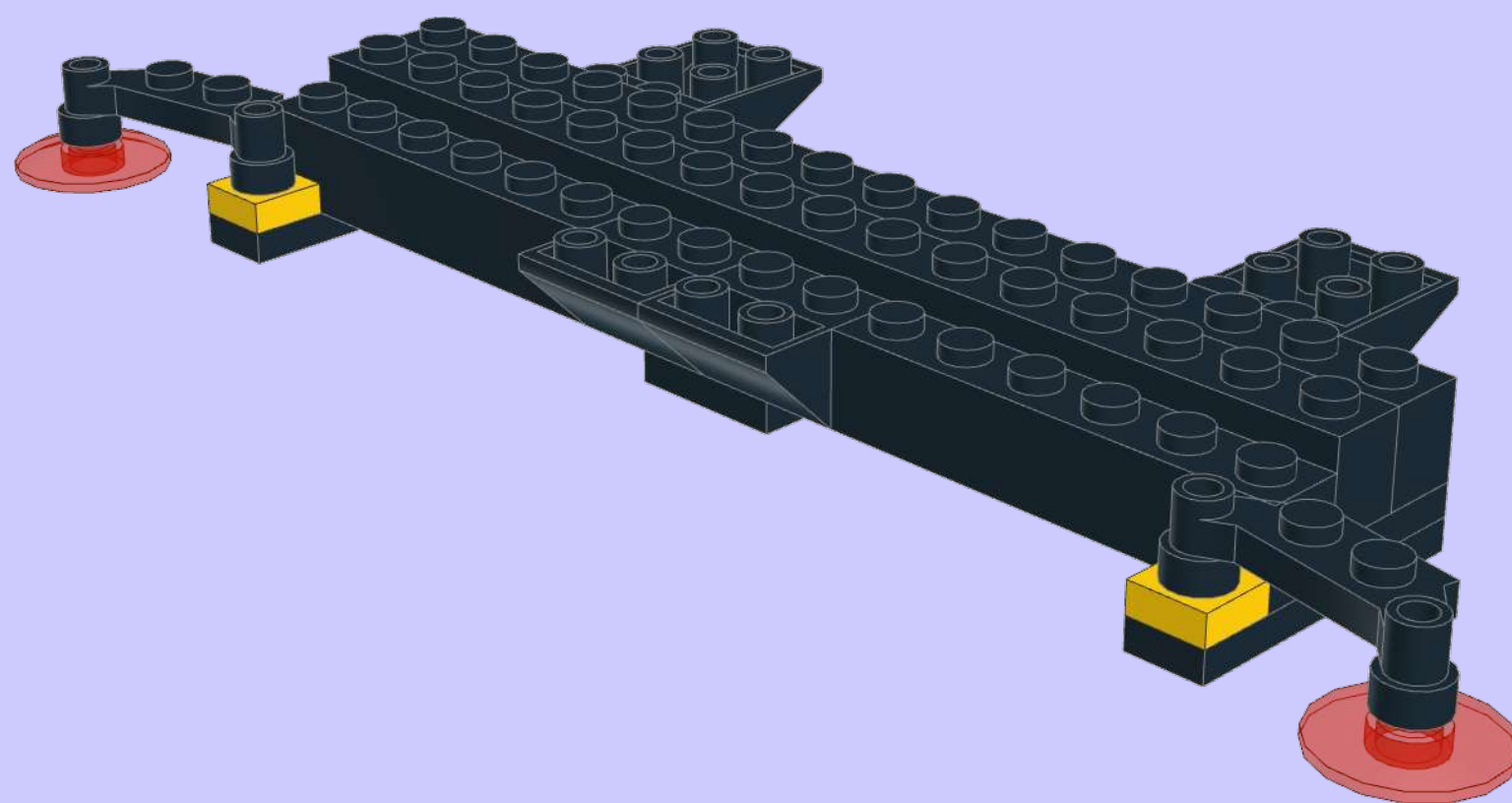
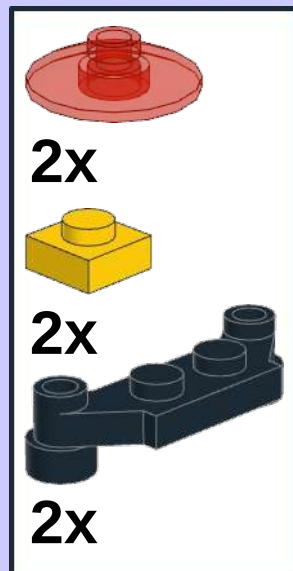
2x

1x

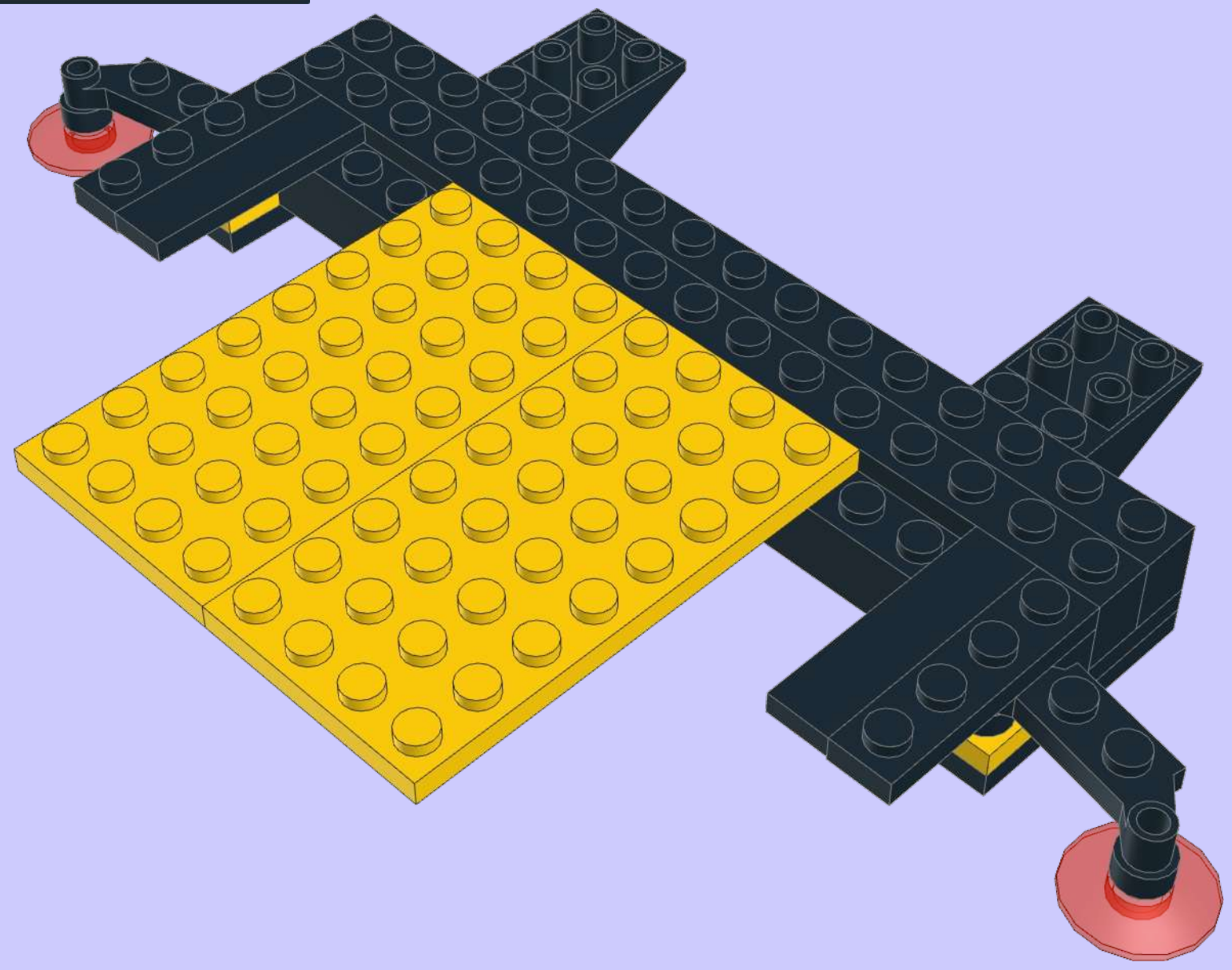
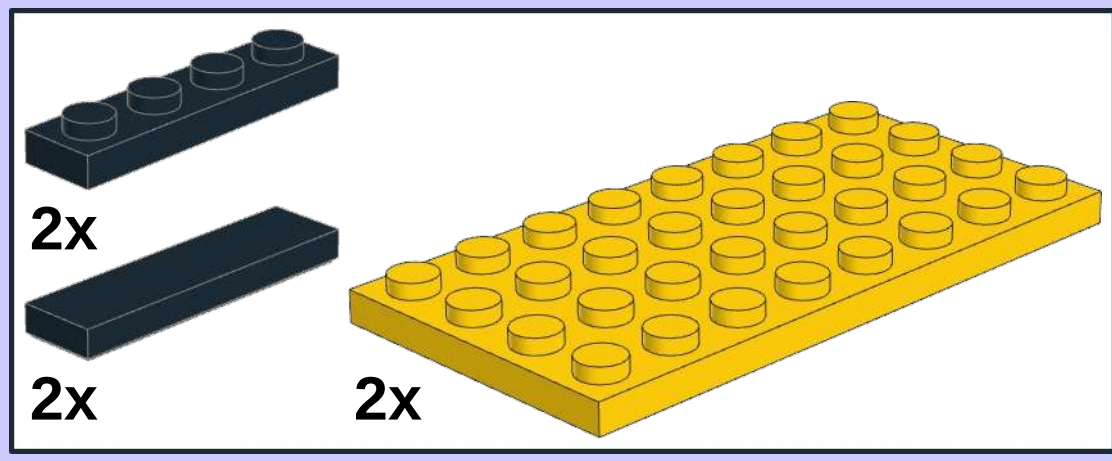
This block contains a parts list for step 3. It features a large number '3' at the top left. Below it are three items: a 1x3 Technic brick with three pins inserted, labeled '2x'; a 1x5 Technic Technonote with four pins inserted, labeled '2x'; and a 1x5 Technic Technonote with five pins inserted, labeled '1x'.



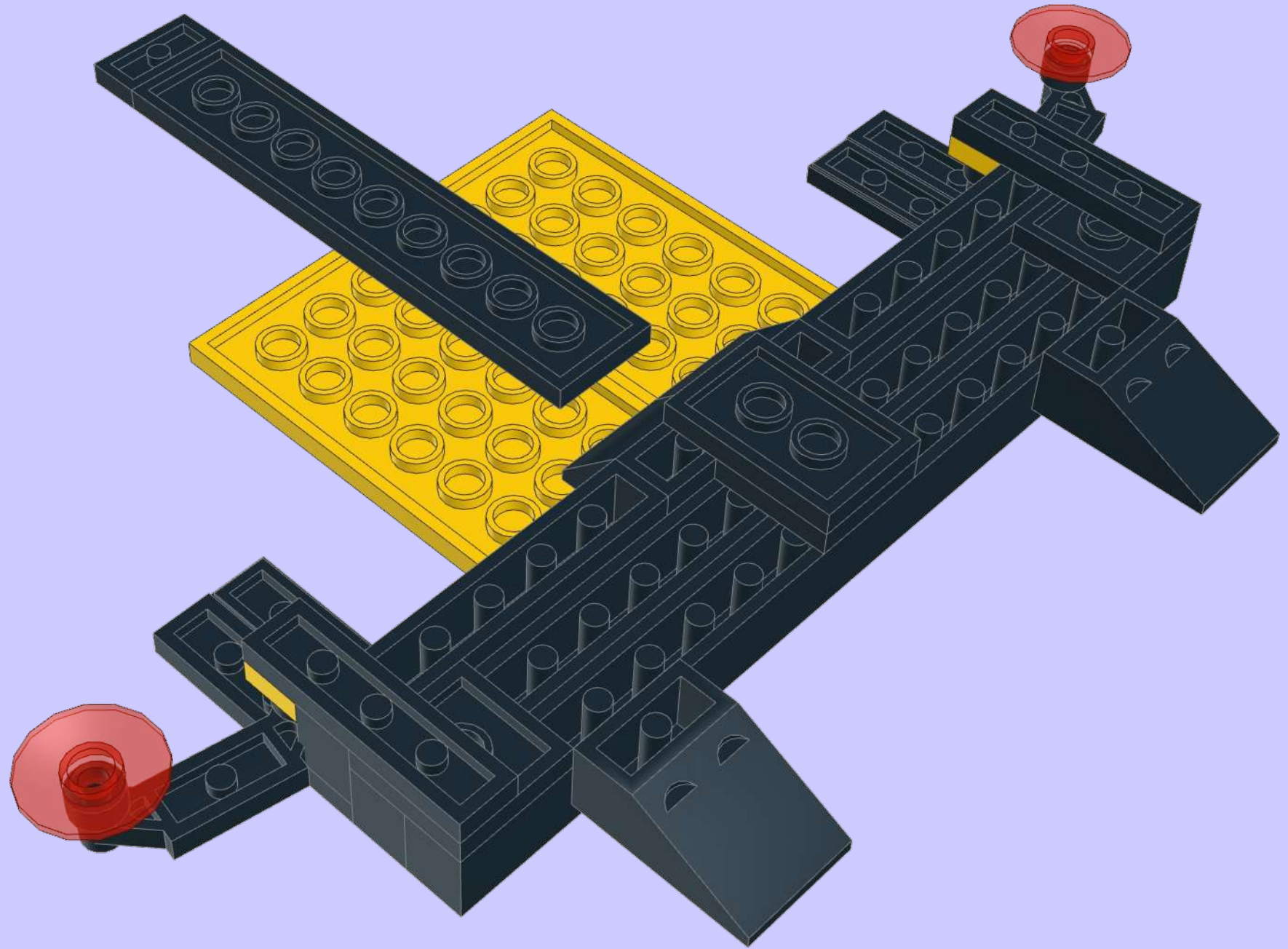
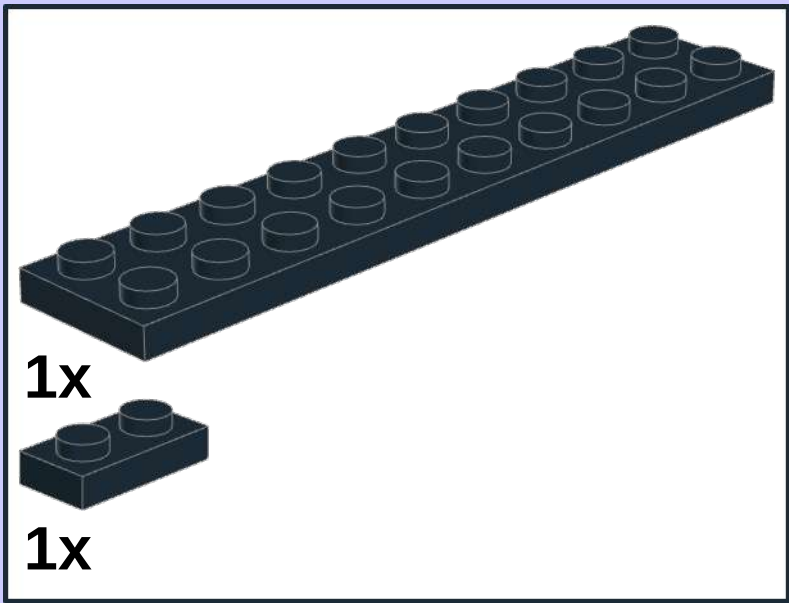
4



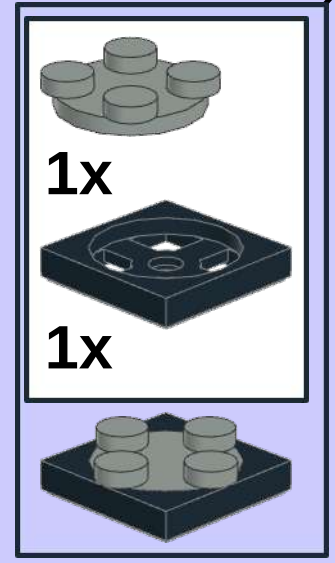
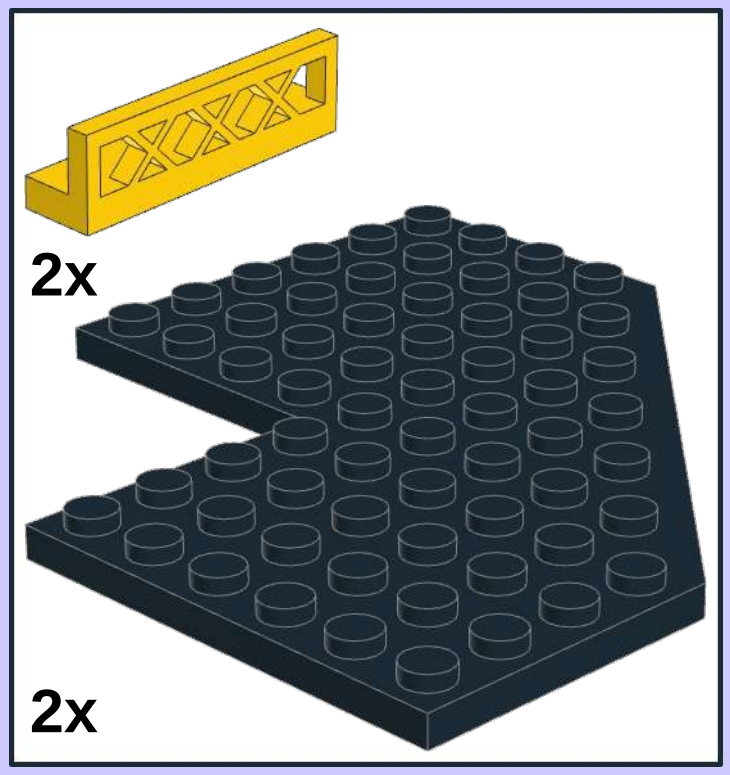
5



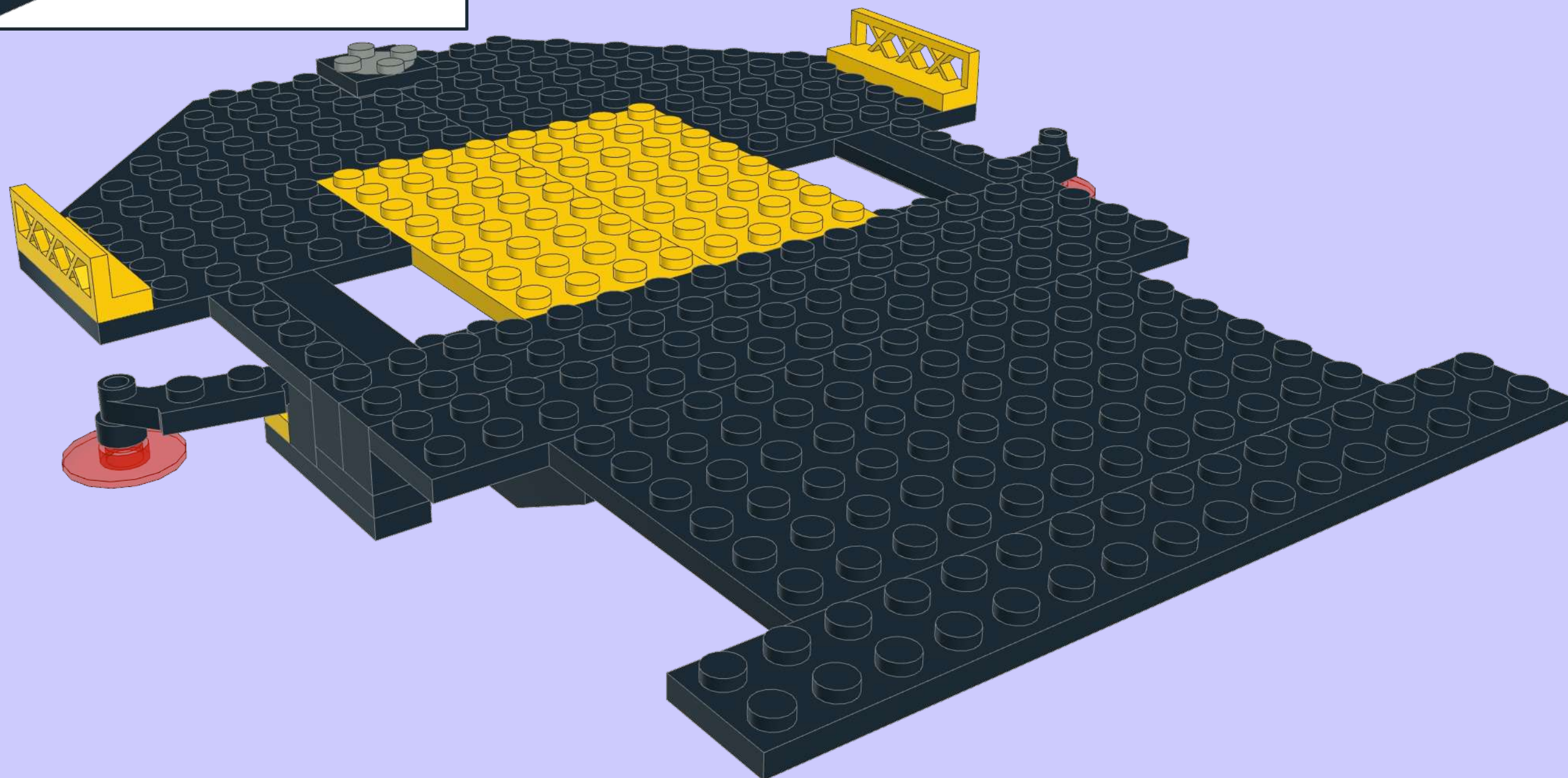
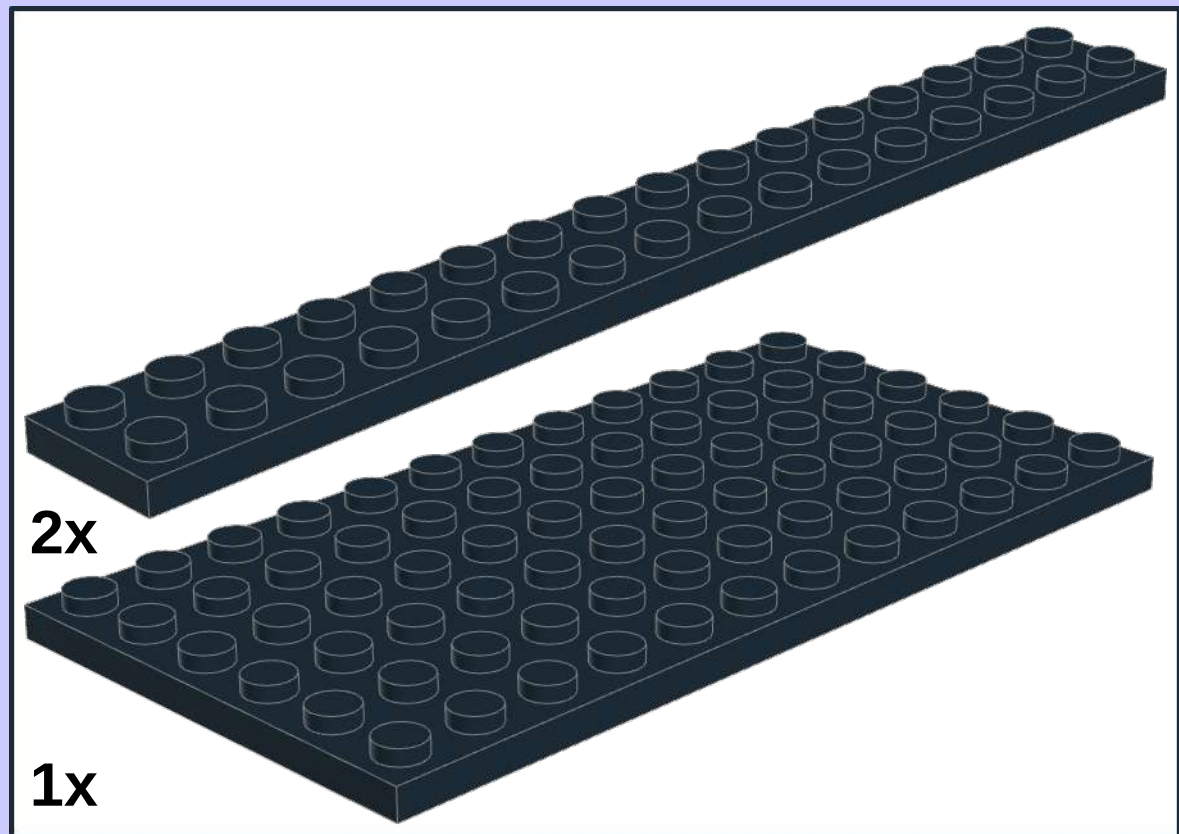
6



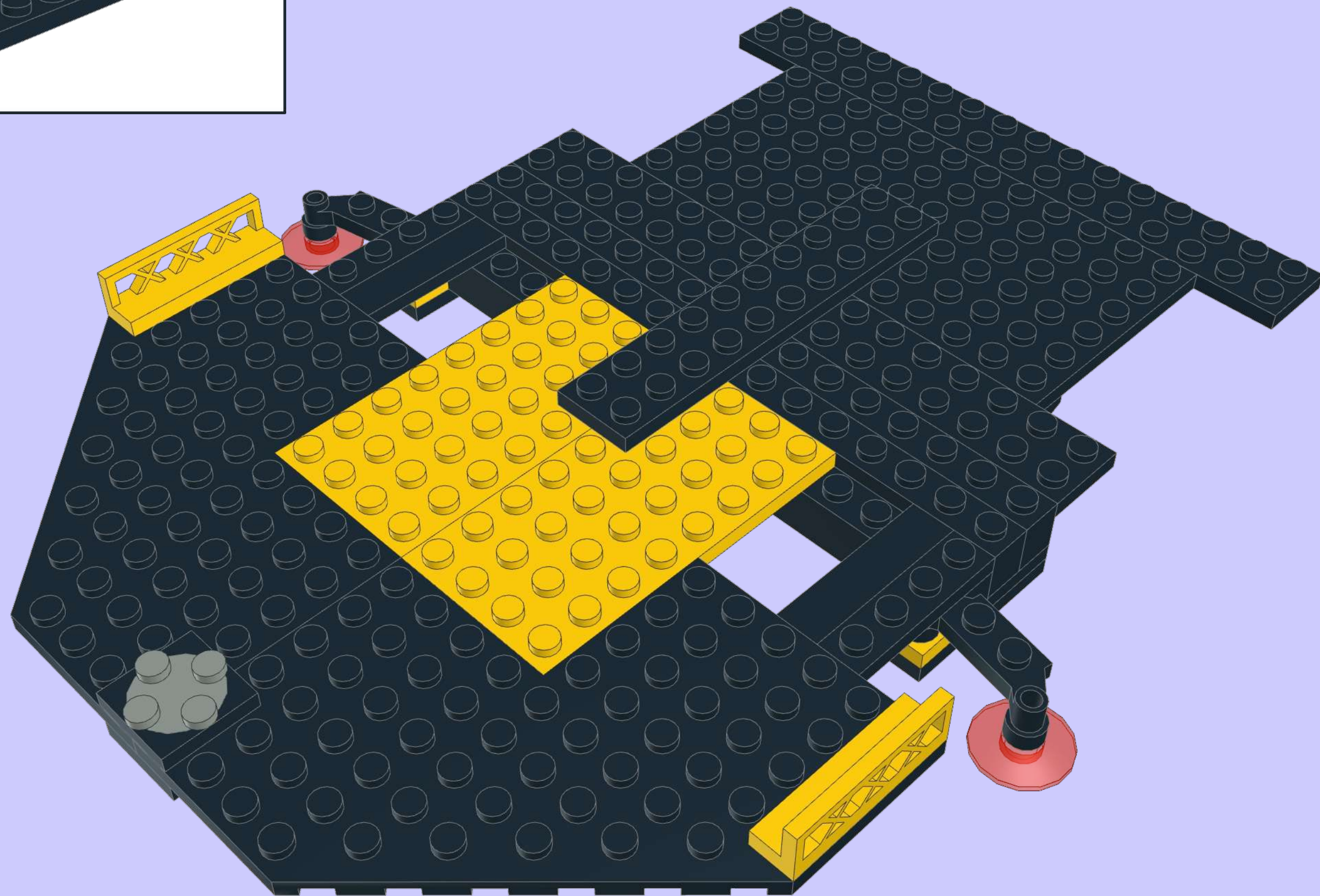
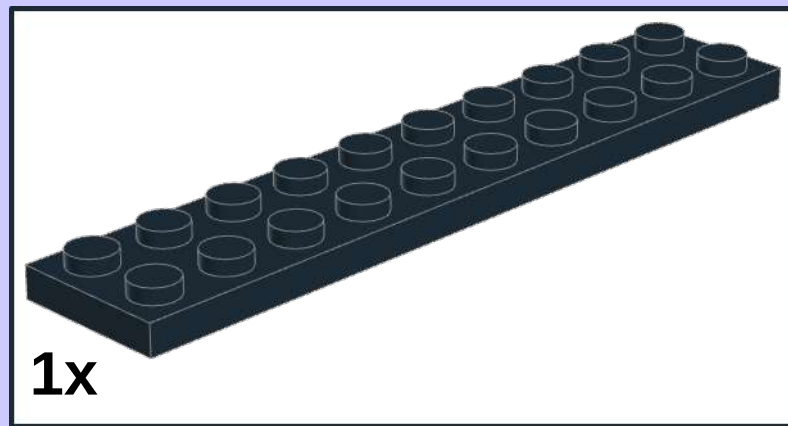
7



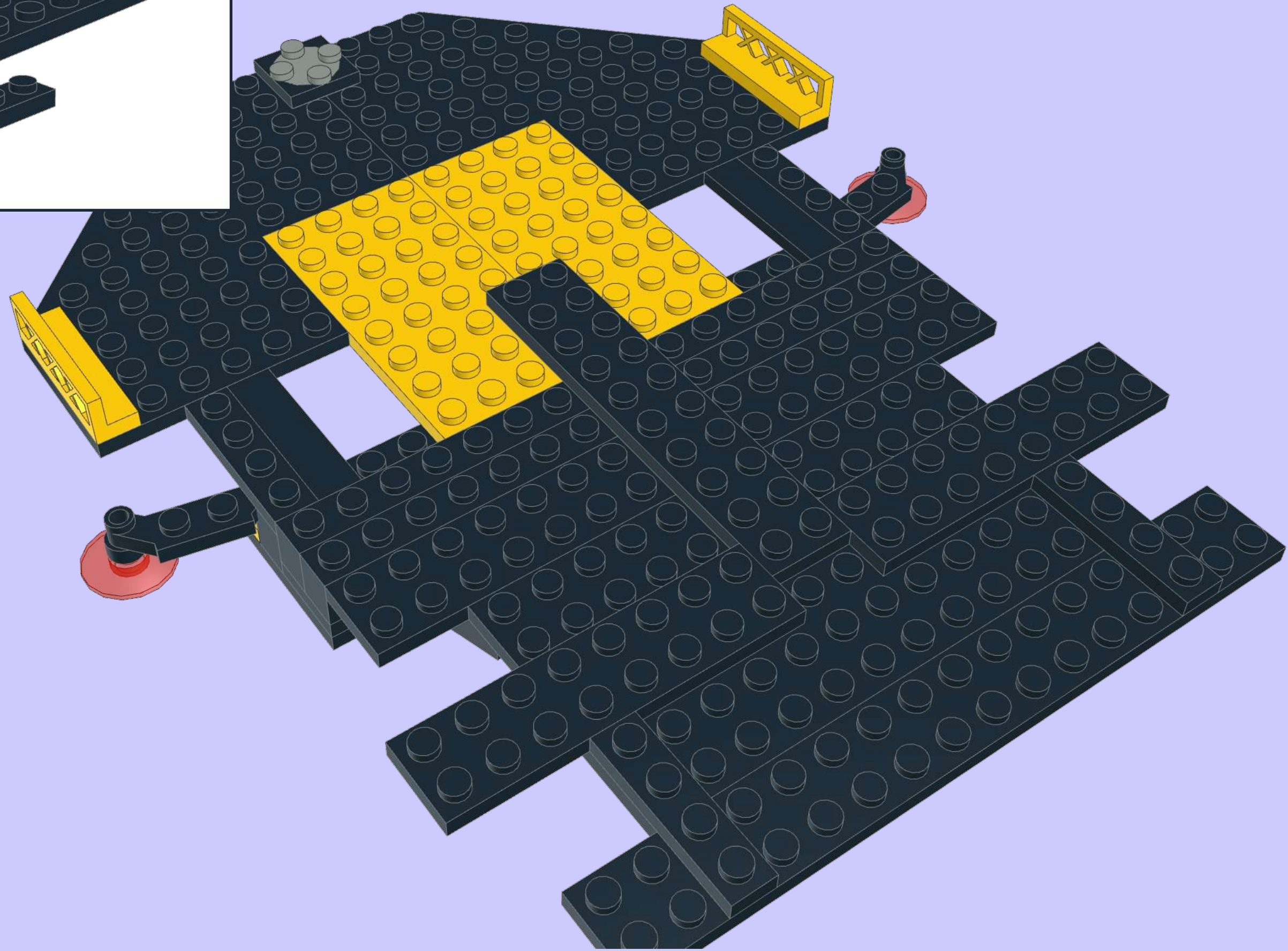
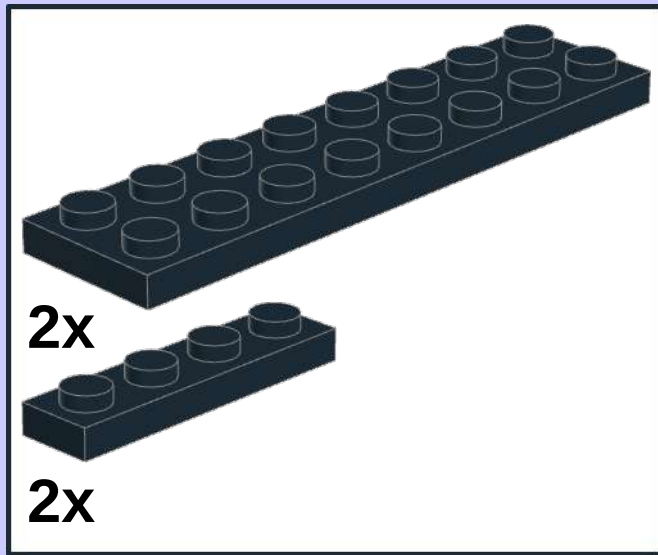
8



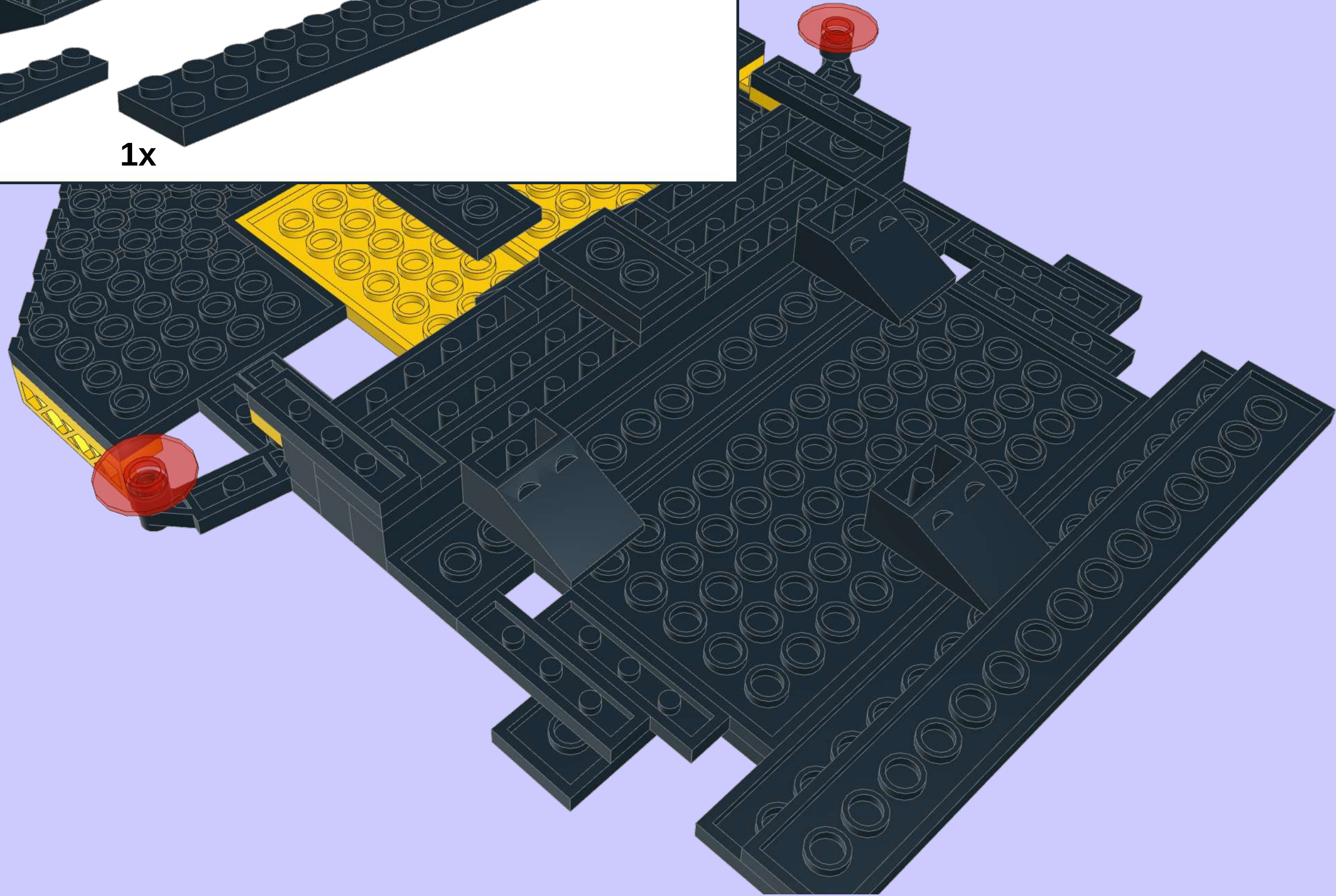
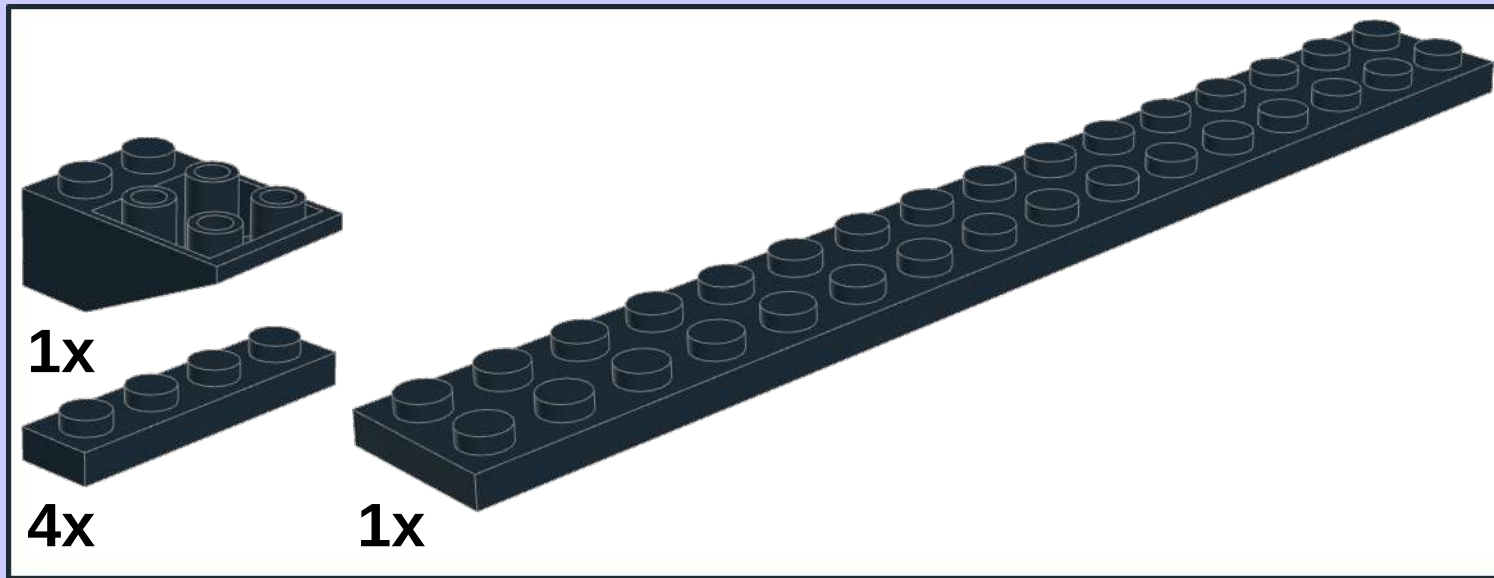
9



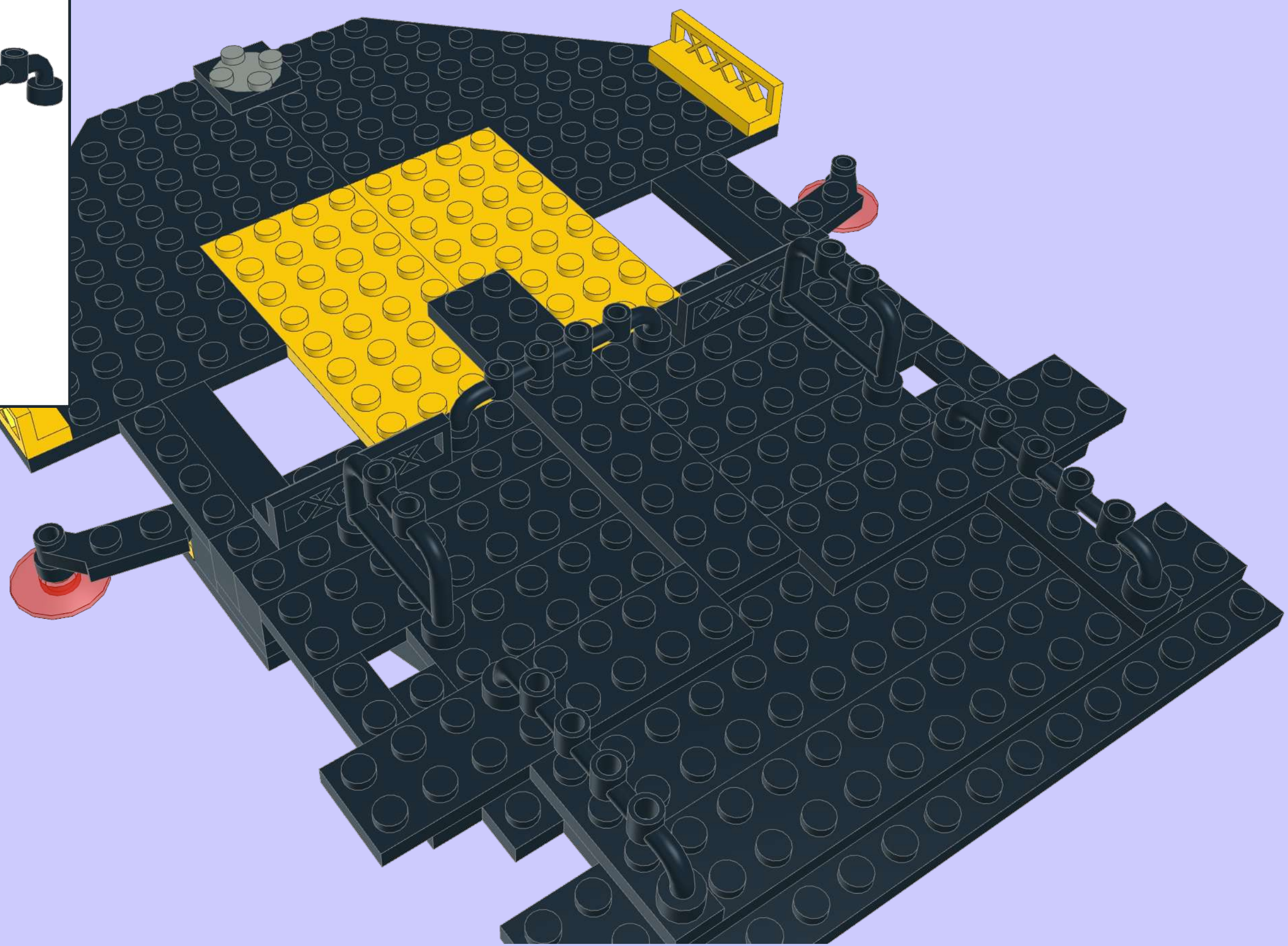
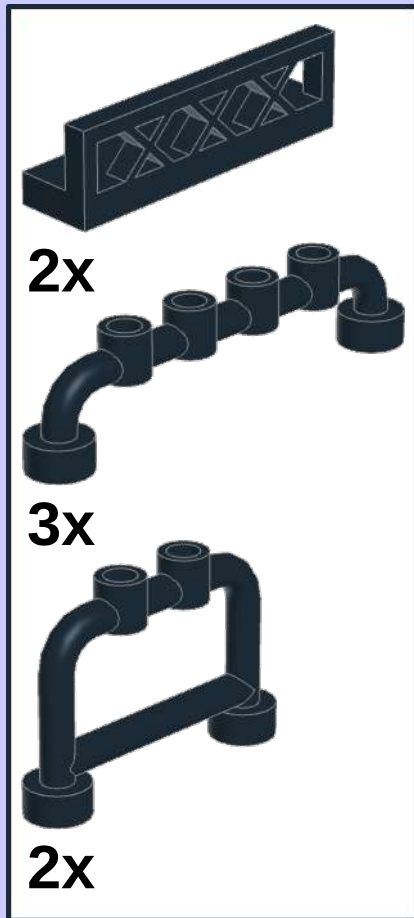
10

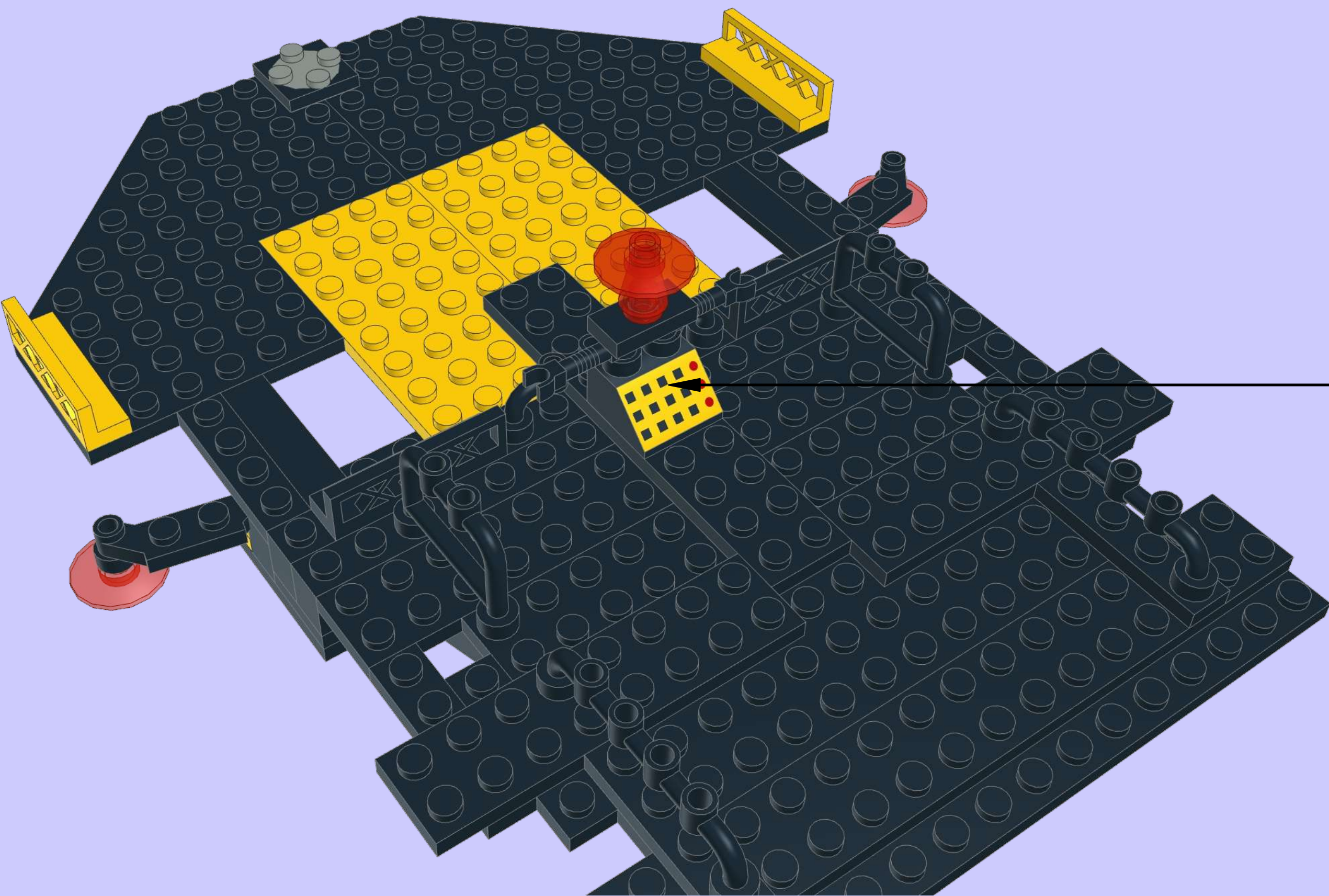


11



12





1x

1x

2x

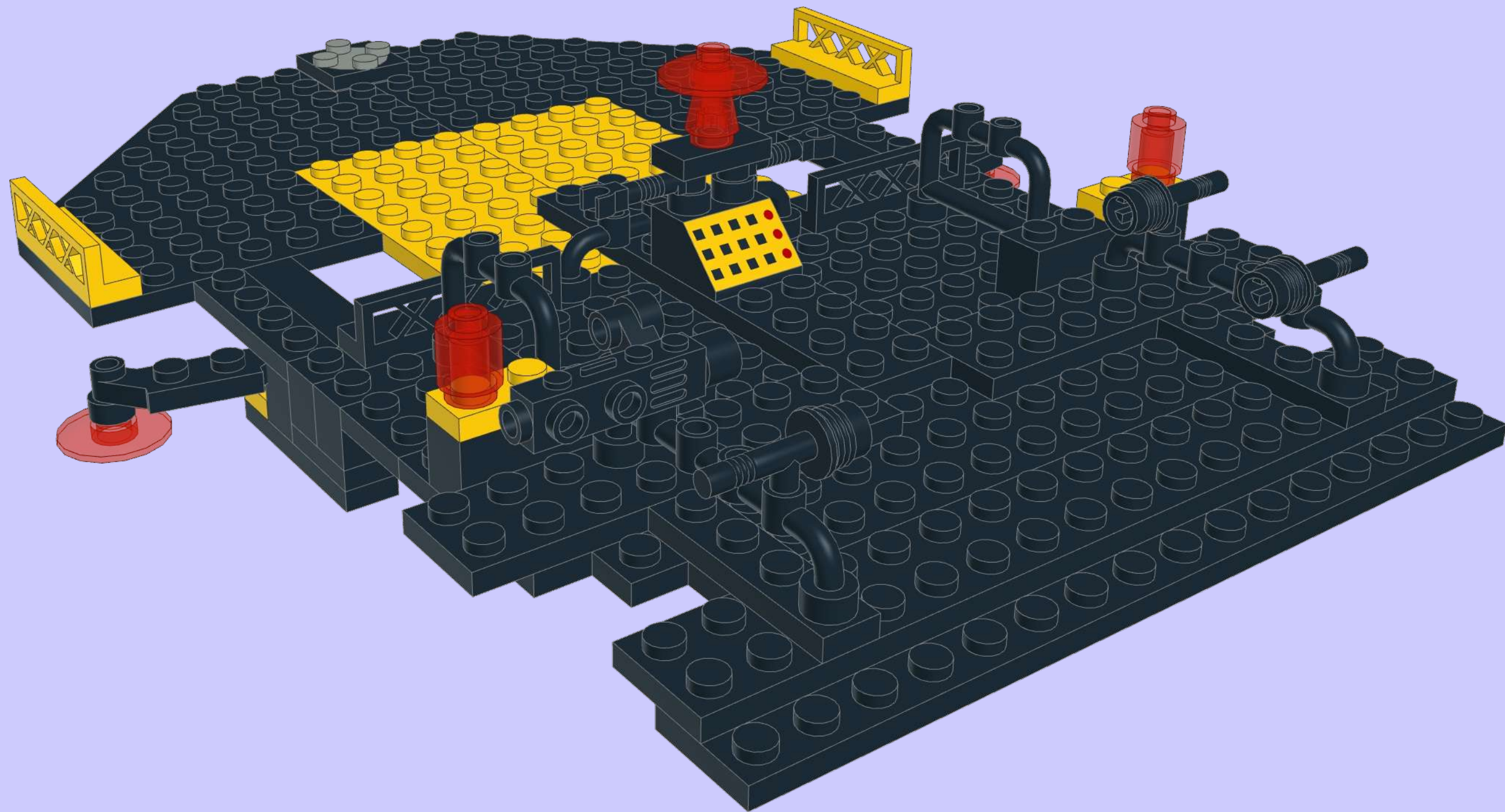
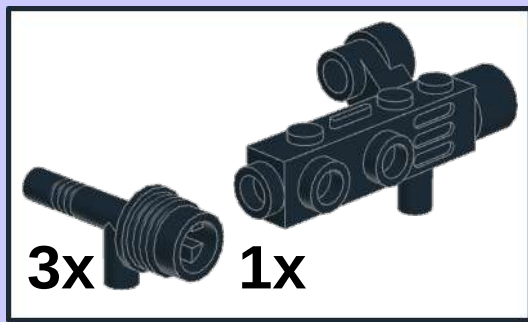
1x

1x

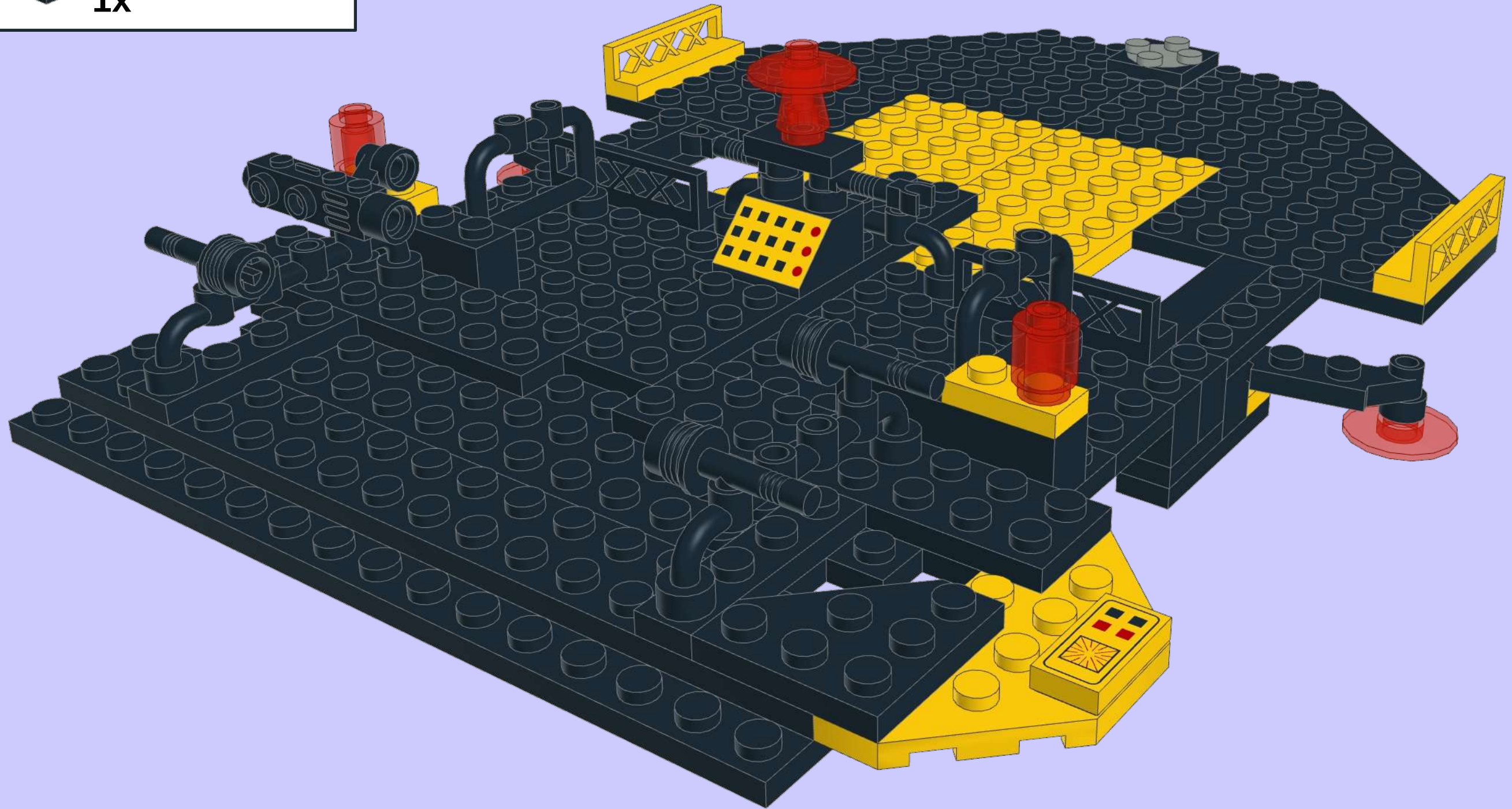
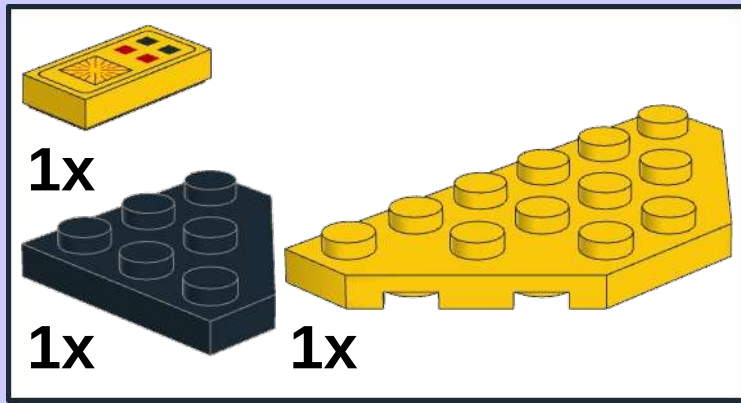
1x

The inset shows a parts list for step 13. It includes: 1x black 1x3 Technic brick, 1x red sensor, 2x black 1x3 Technic brick with yellow 1x3 sensor plate, and 1x red sensor. Below the parts list is an assembly inset showing the red sensor being attached to the black 1x3 Technic brick with the yellow 1x3 sensor plate.

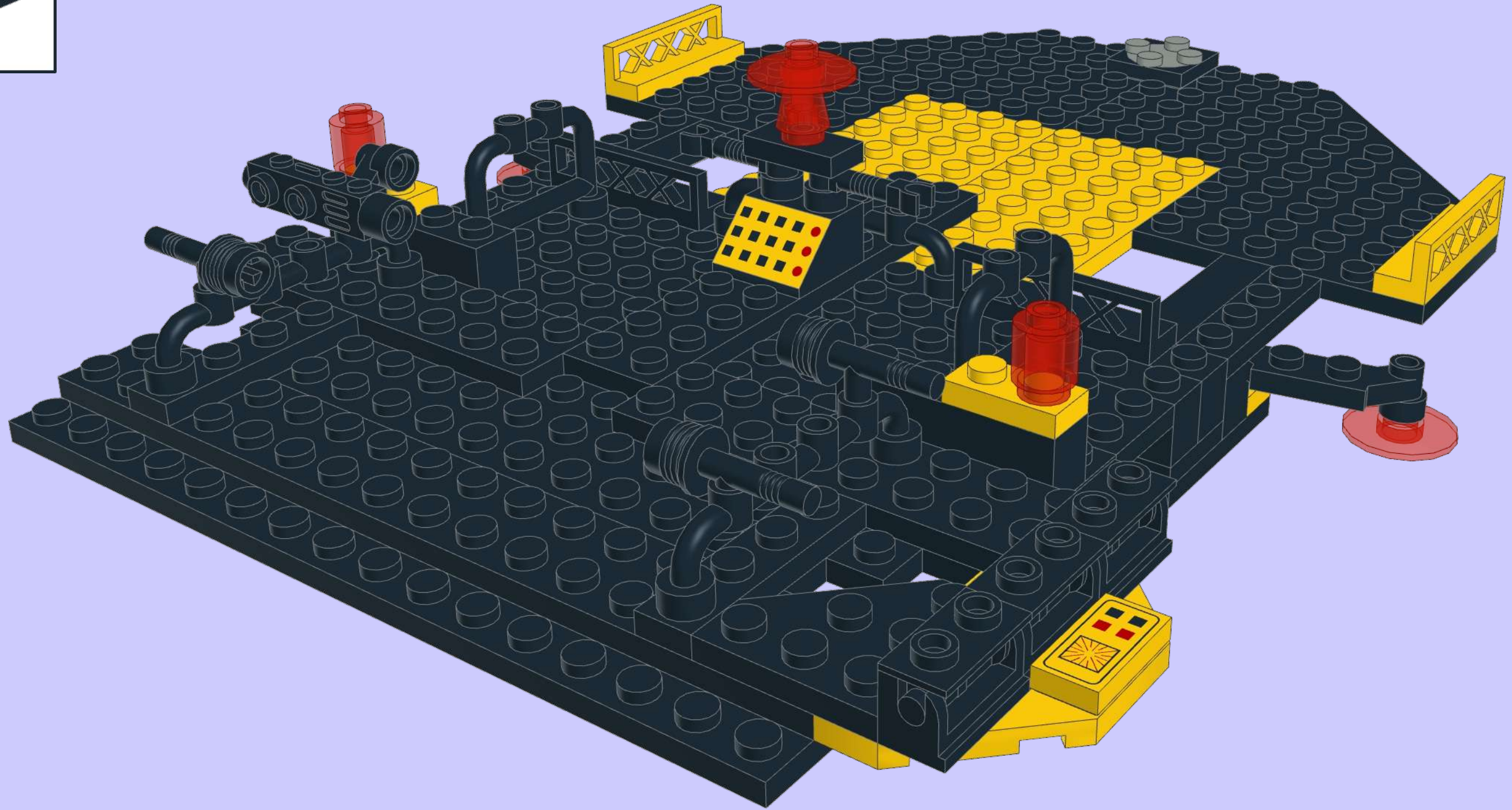
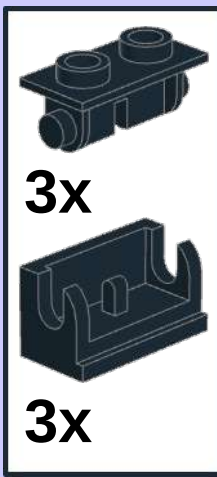
15



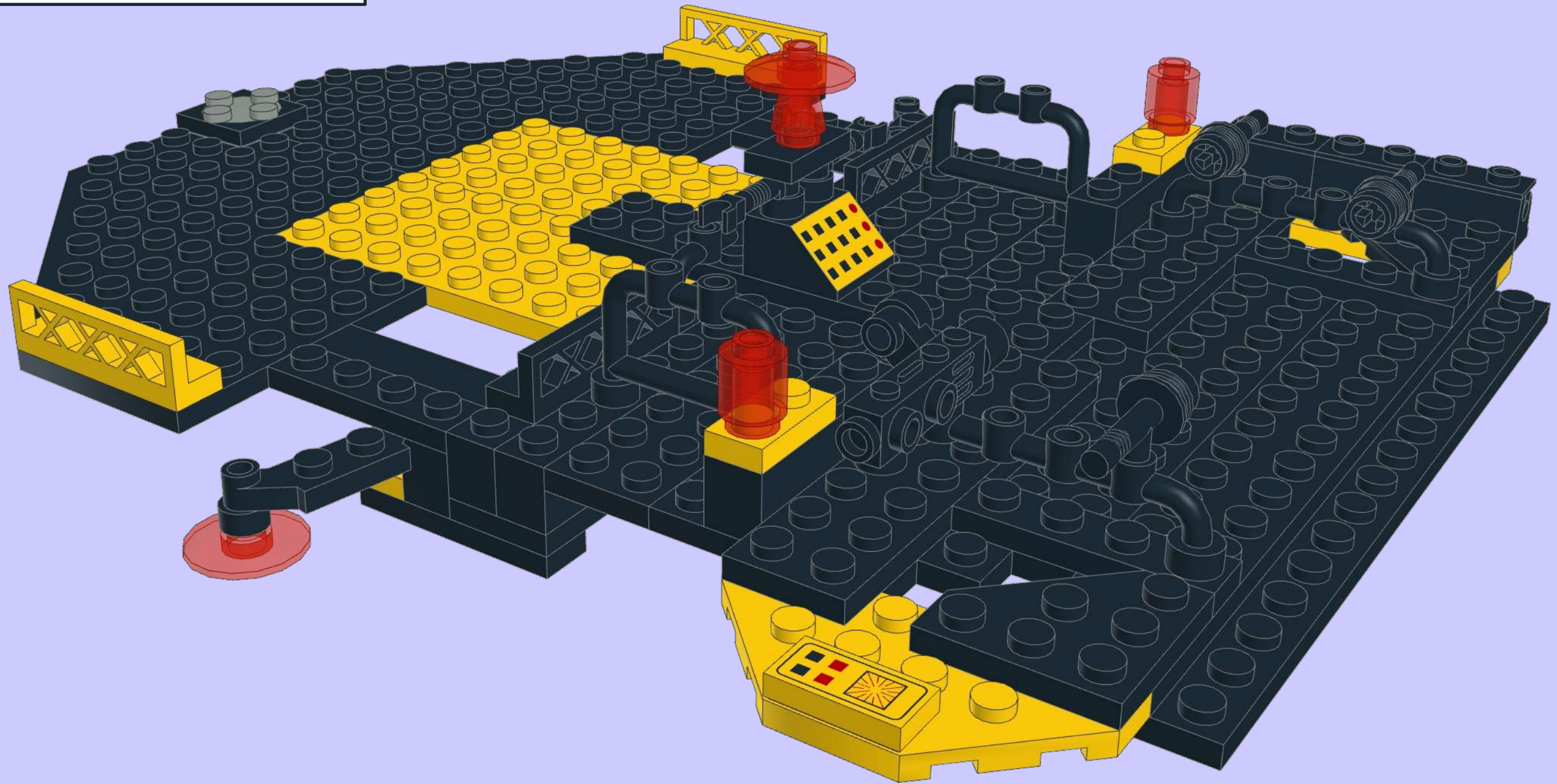
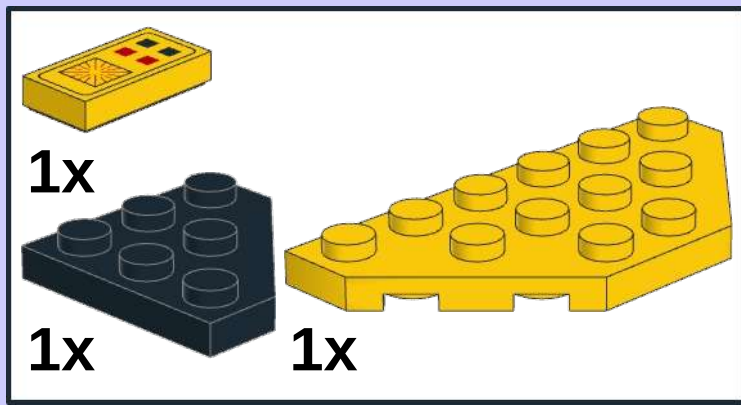
16



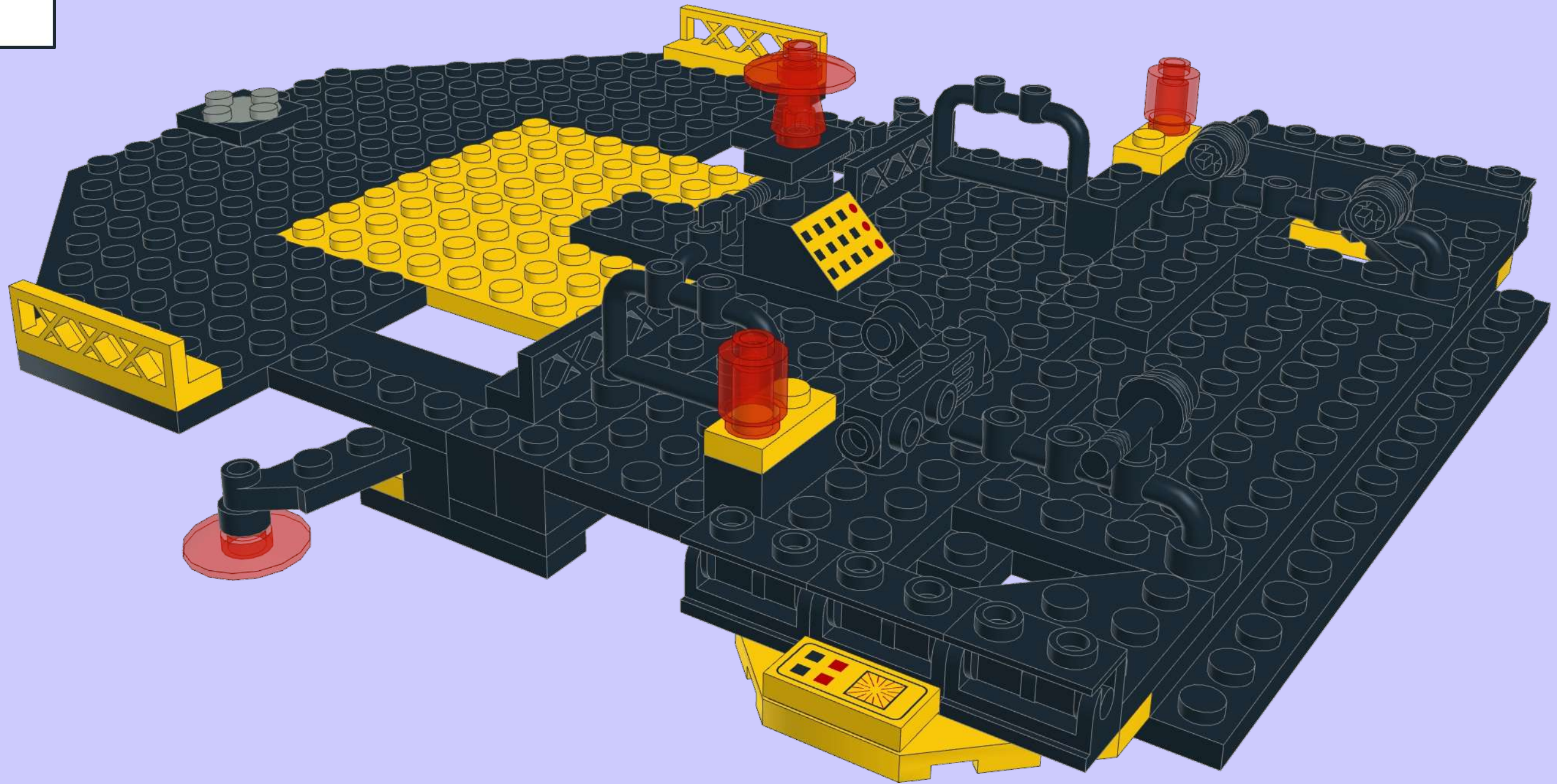
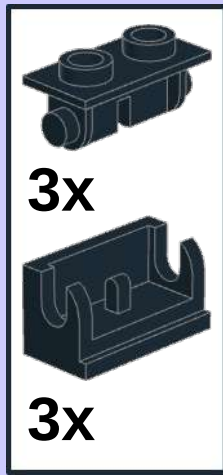
17



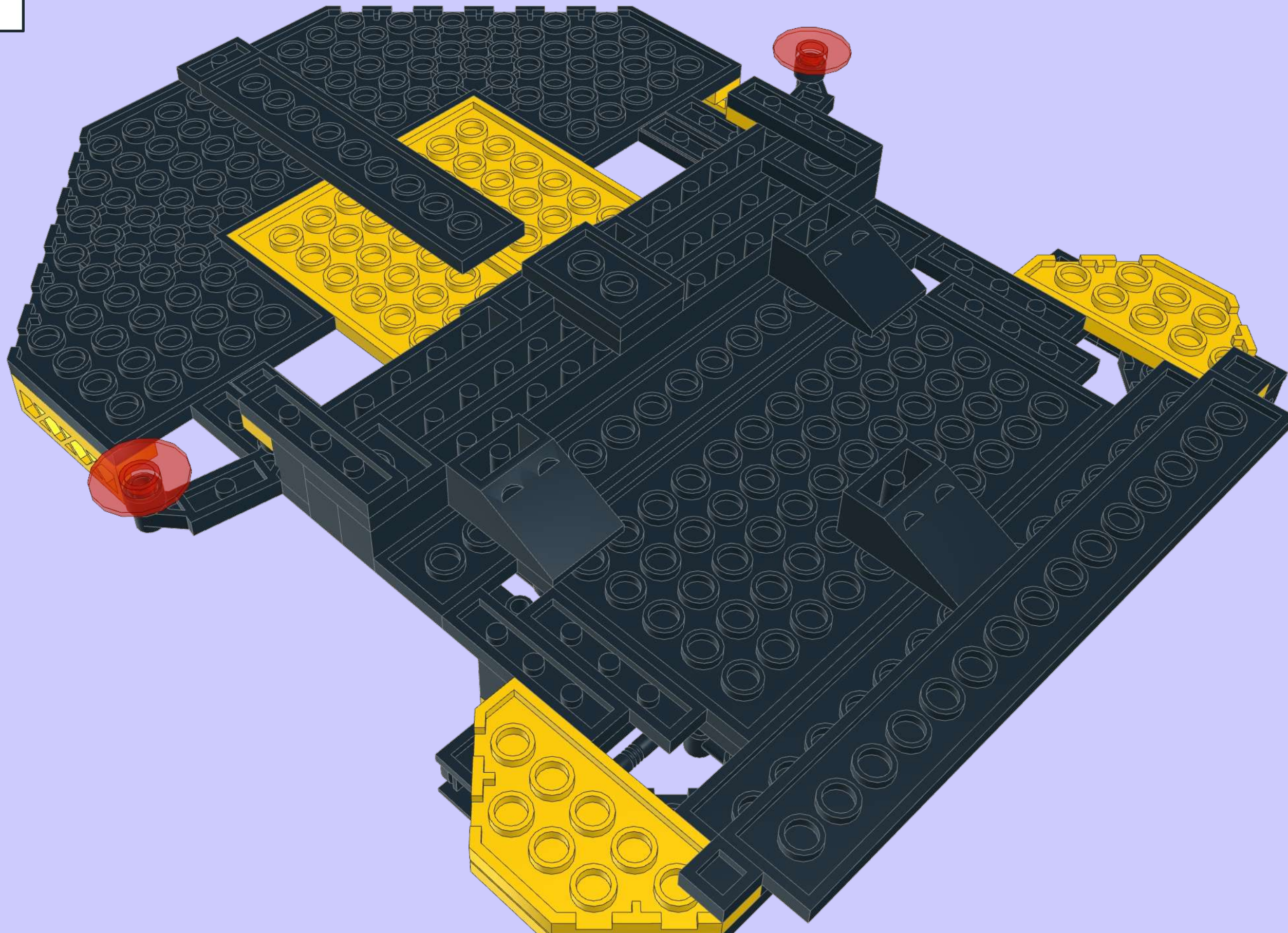
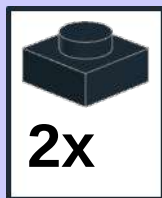
18



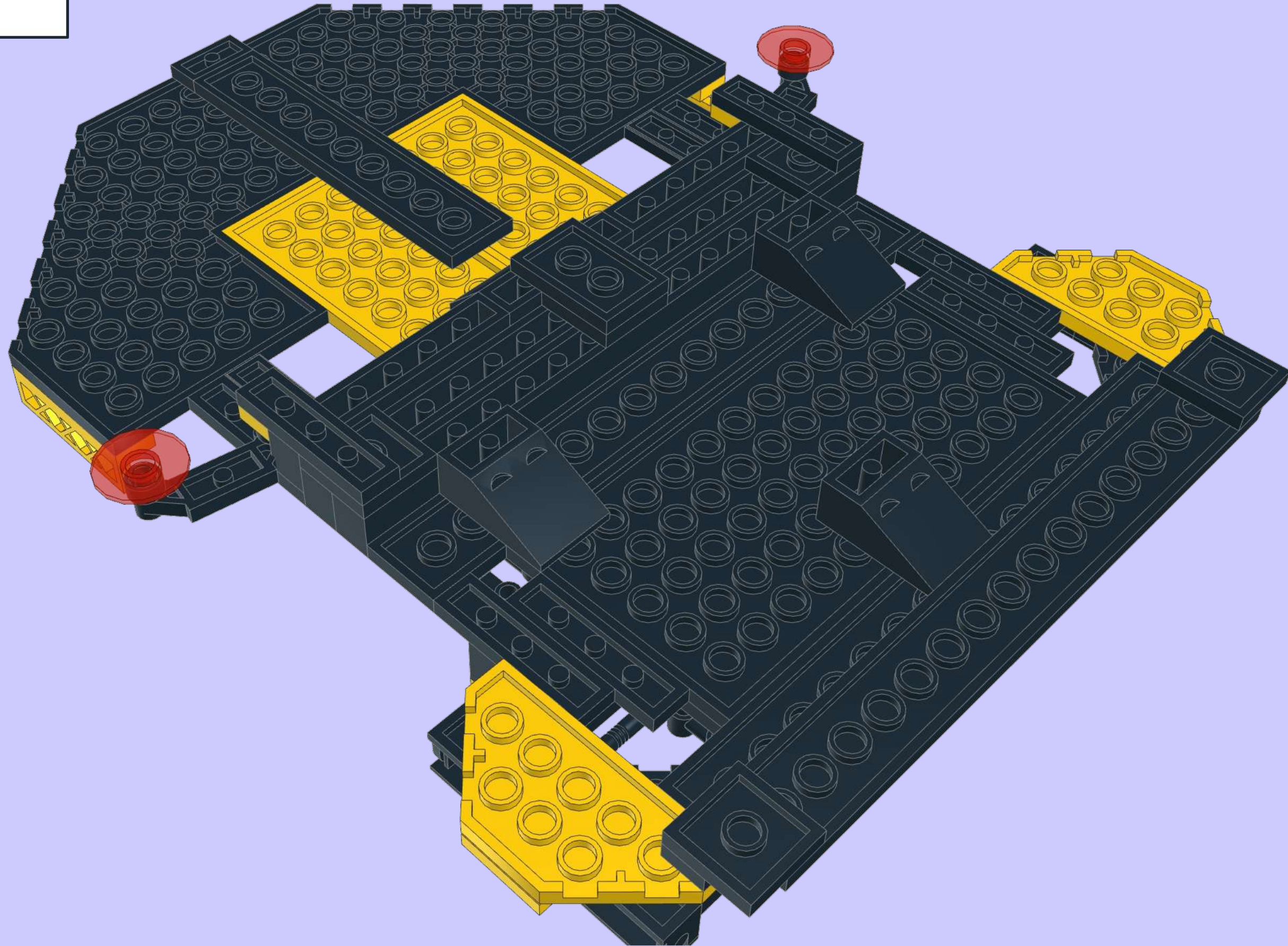
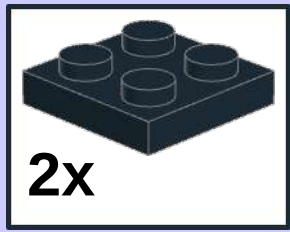
19

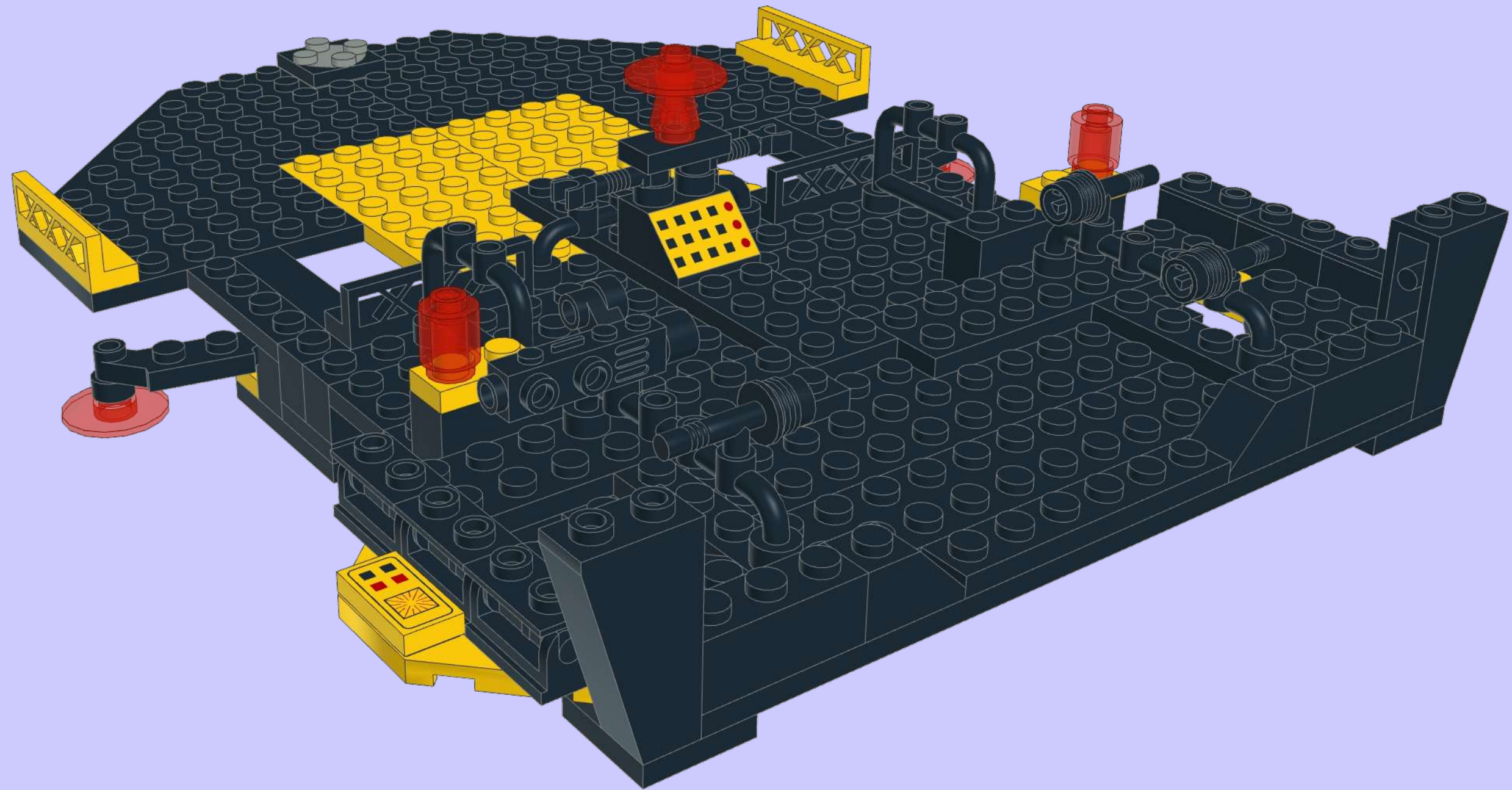
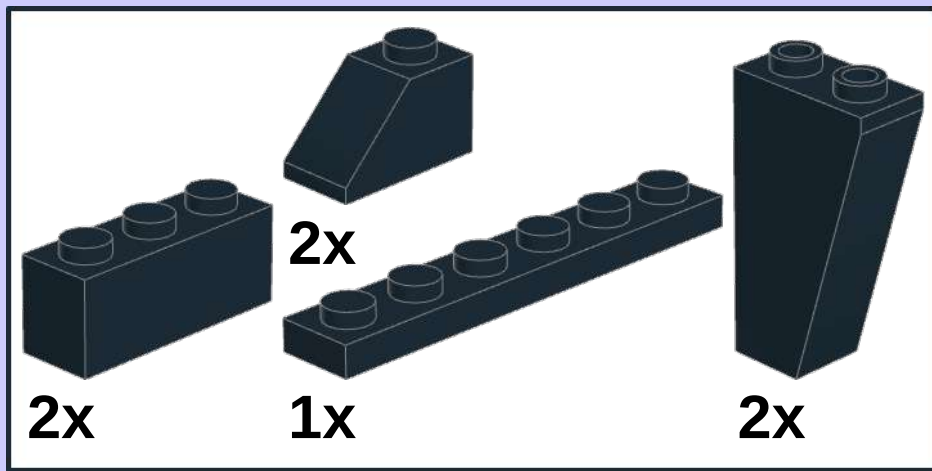


20




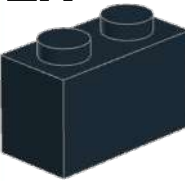



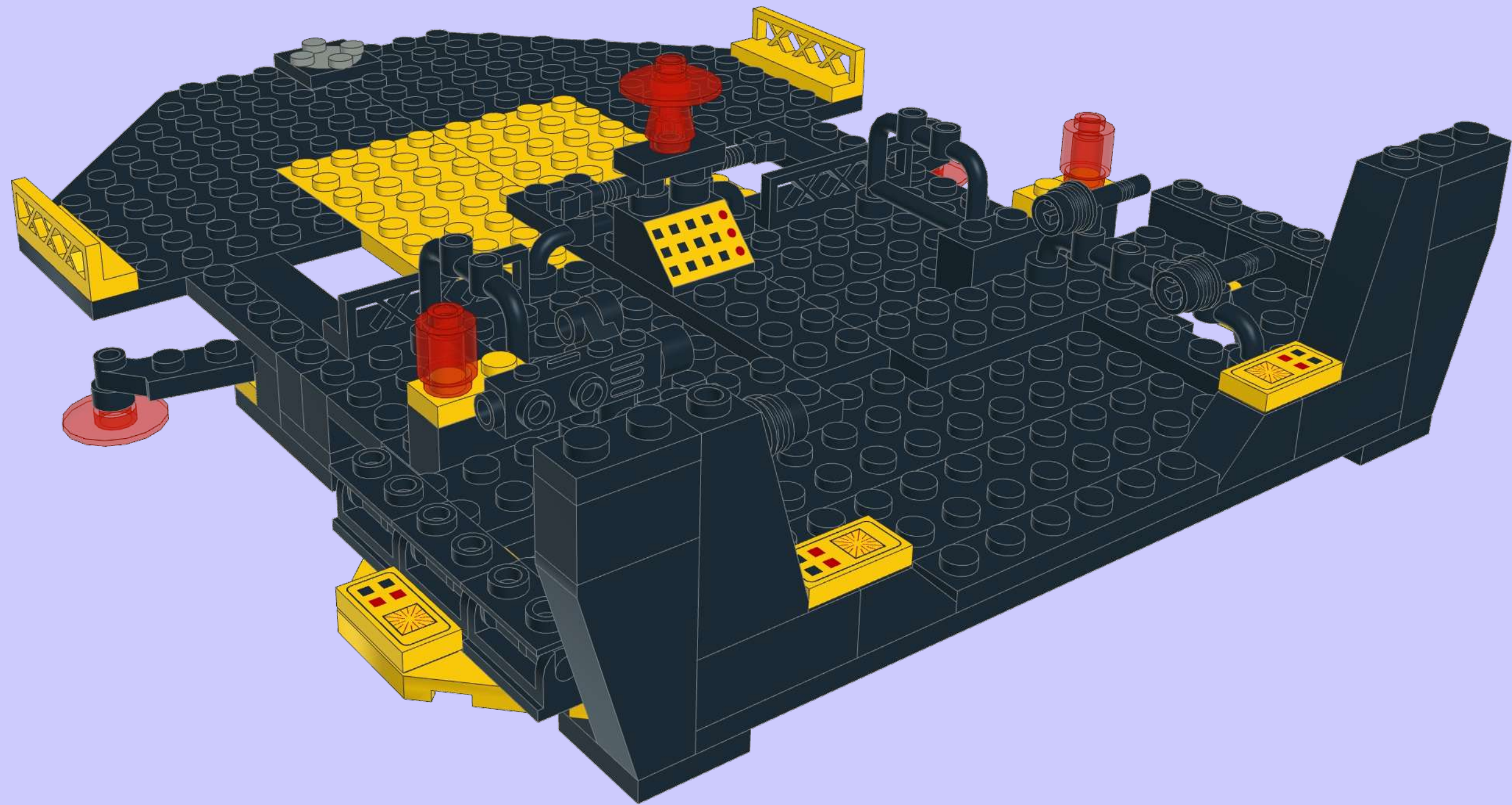
21



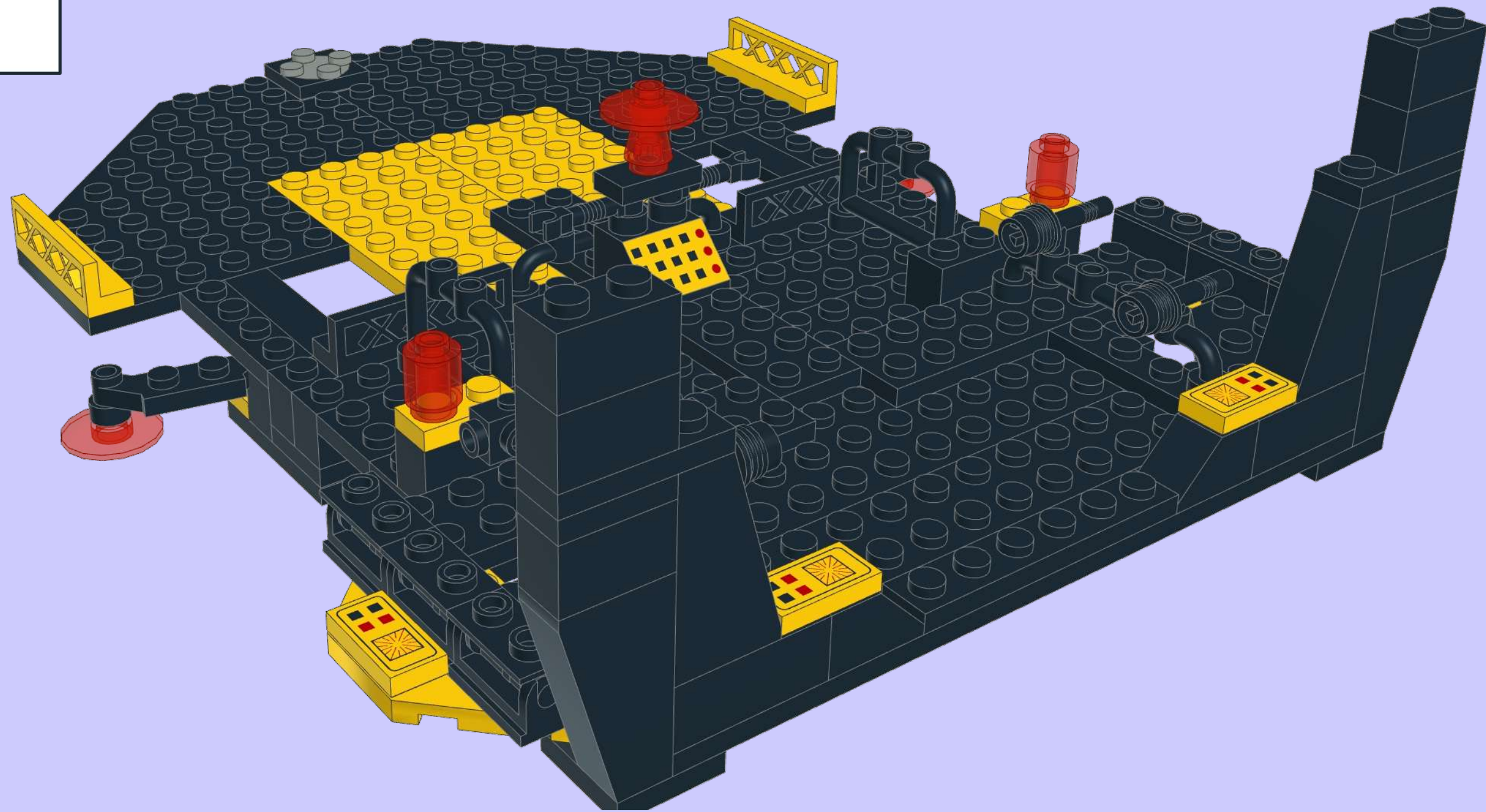
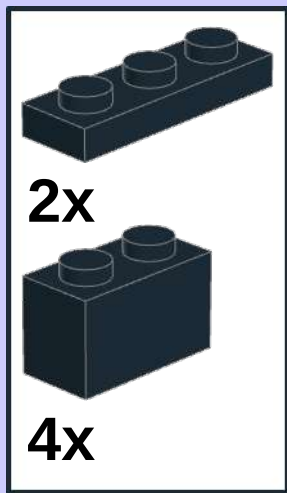


23

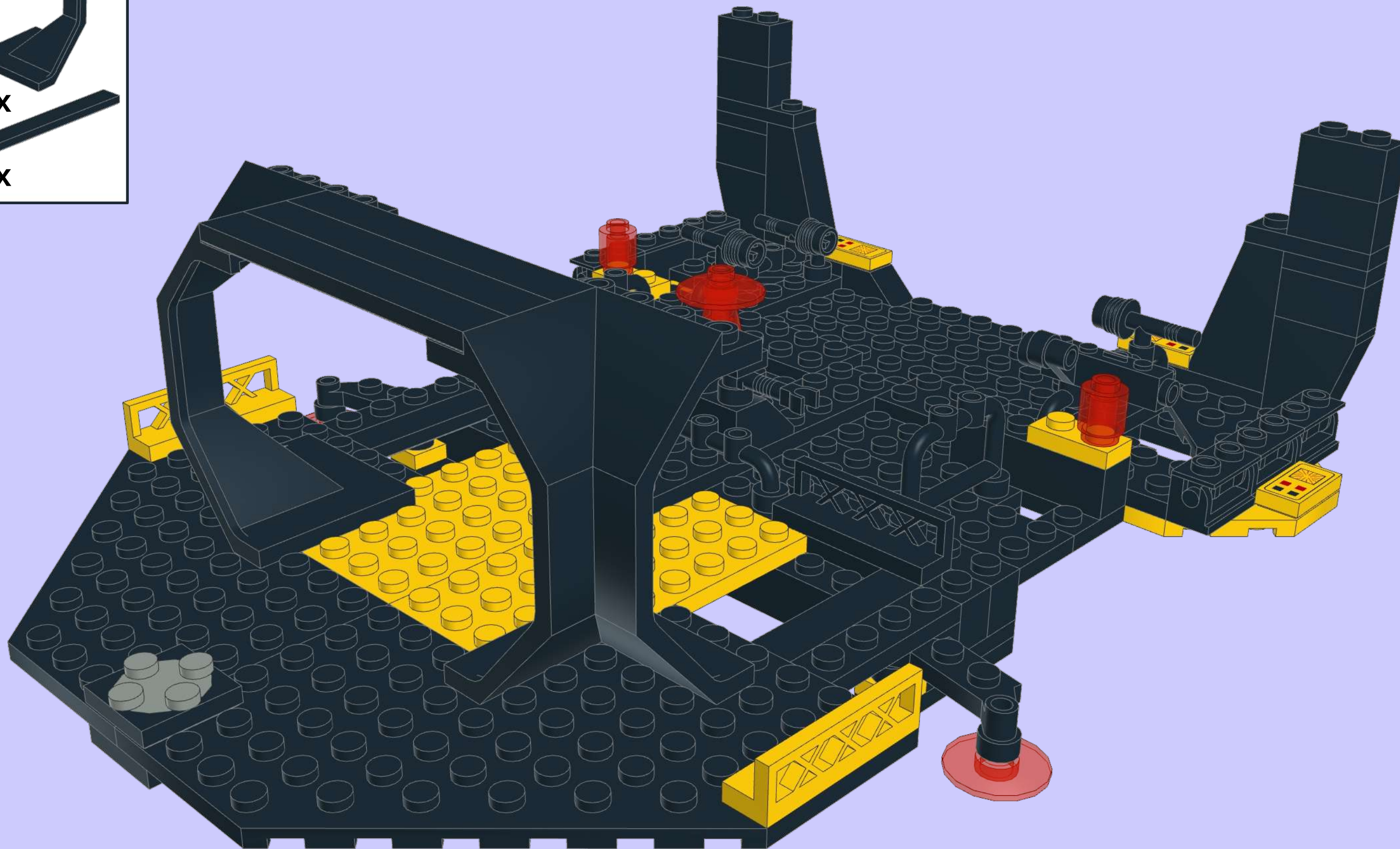
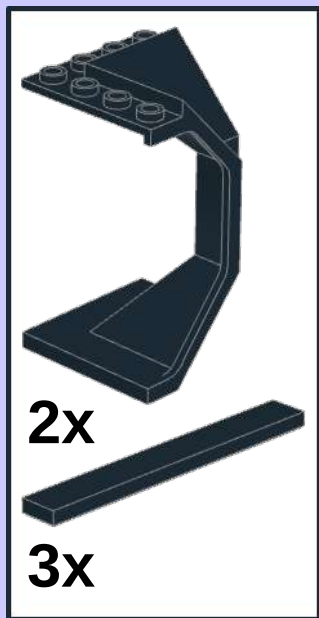
-  2x
-  2x
-  2x
-  2x
-  2x



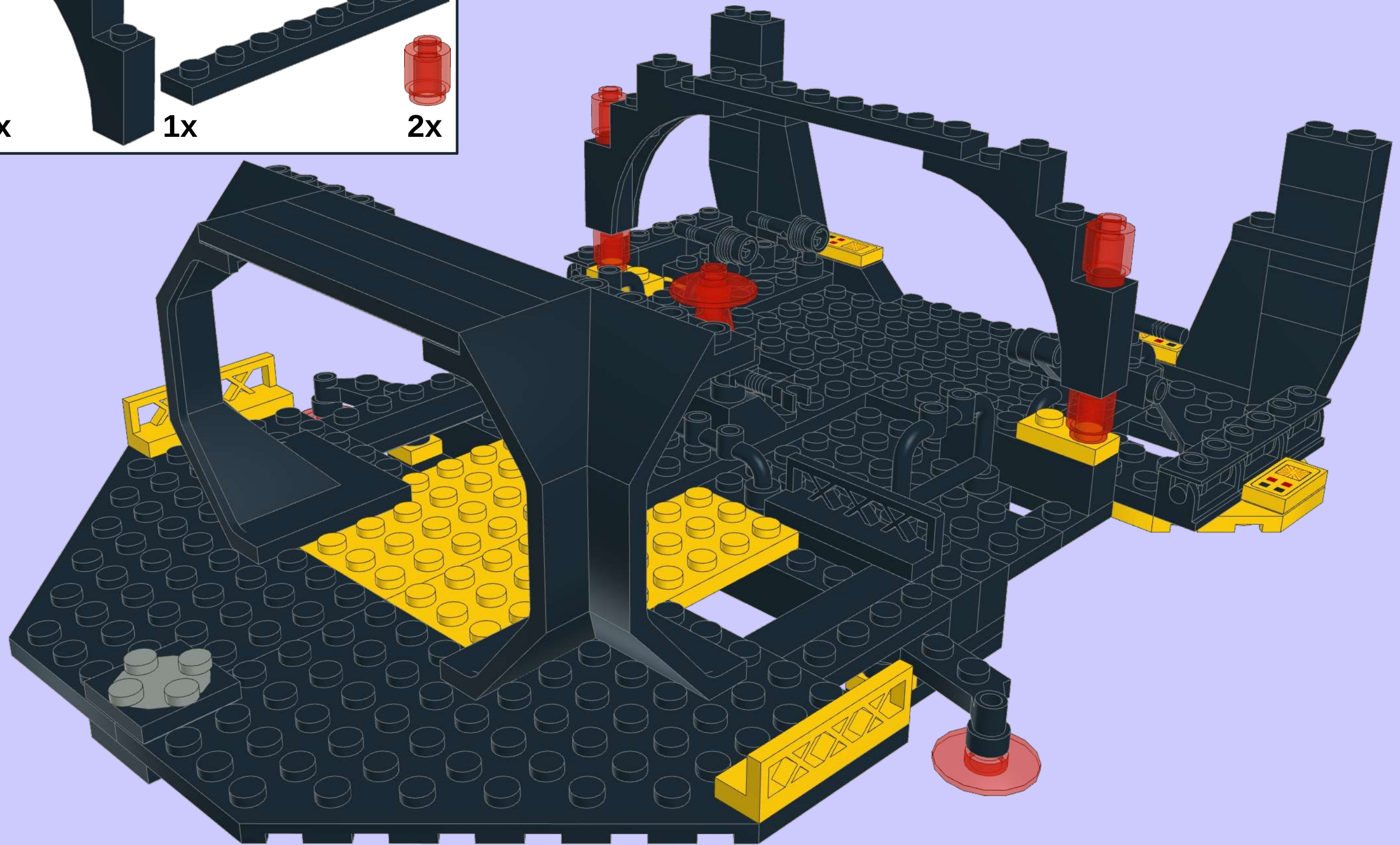
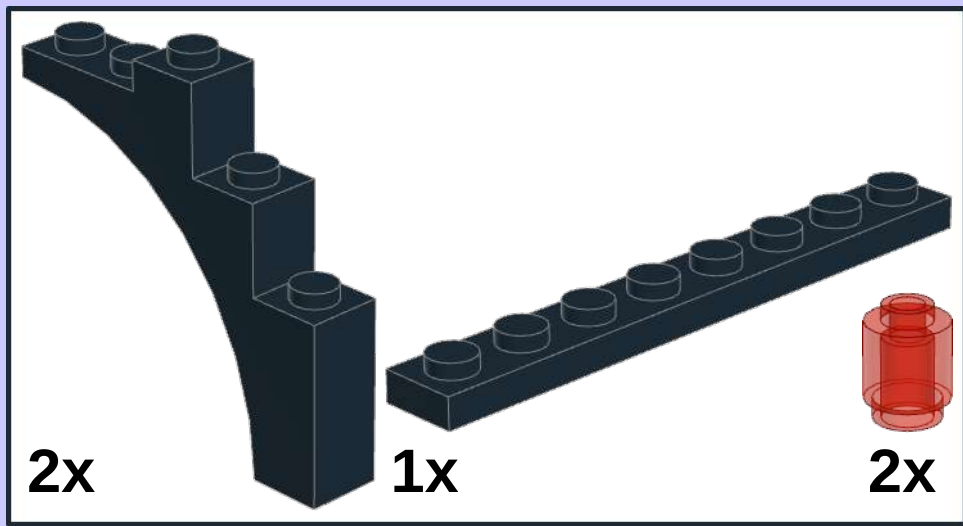
24



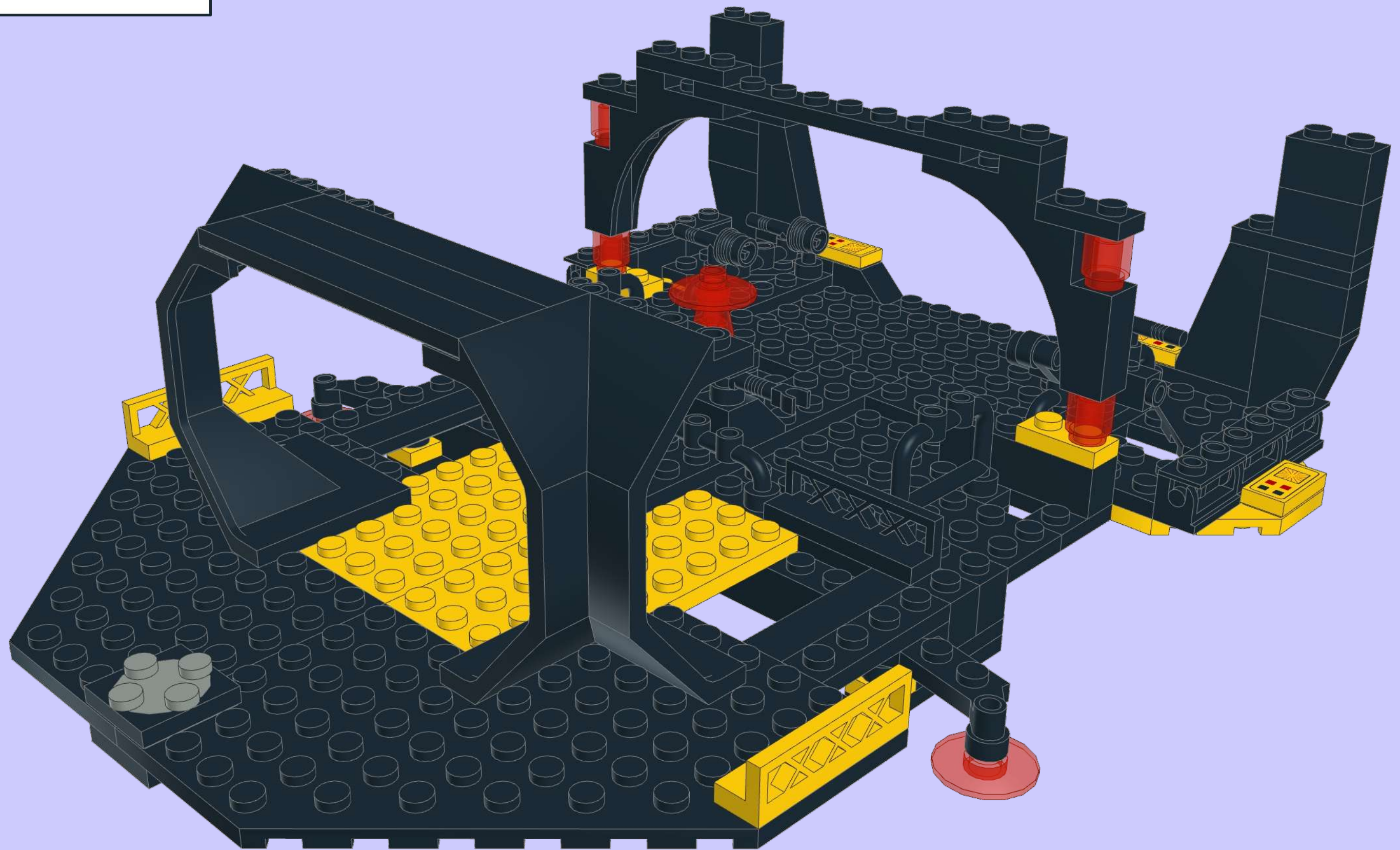
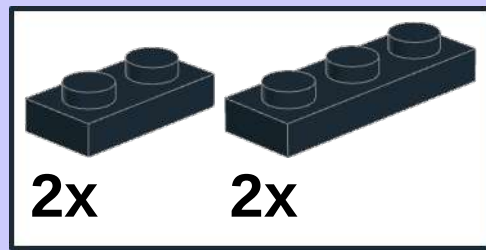
25



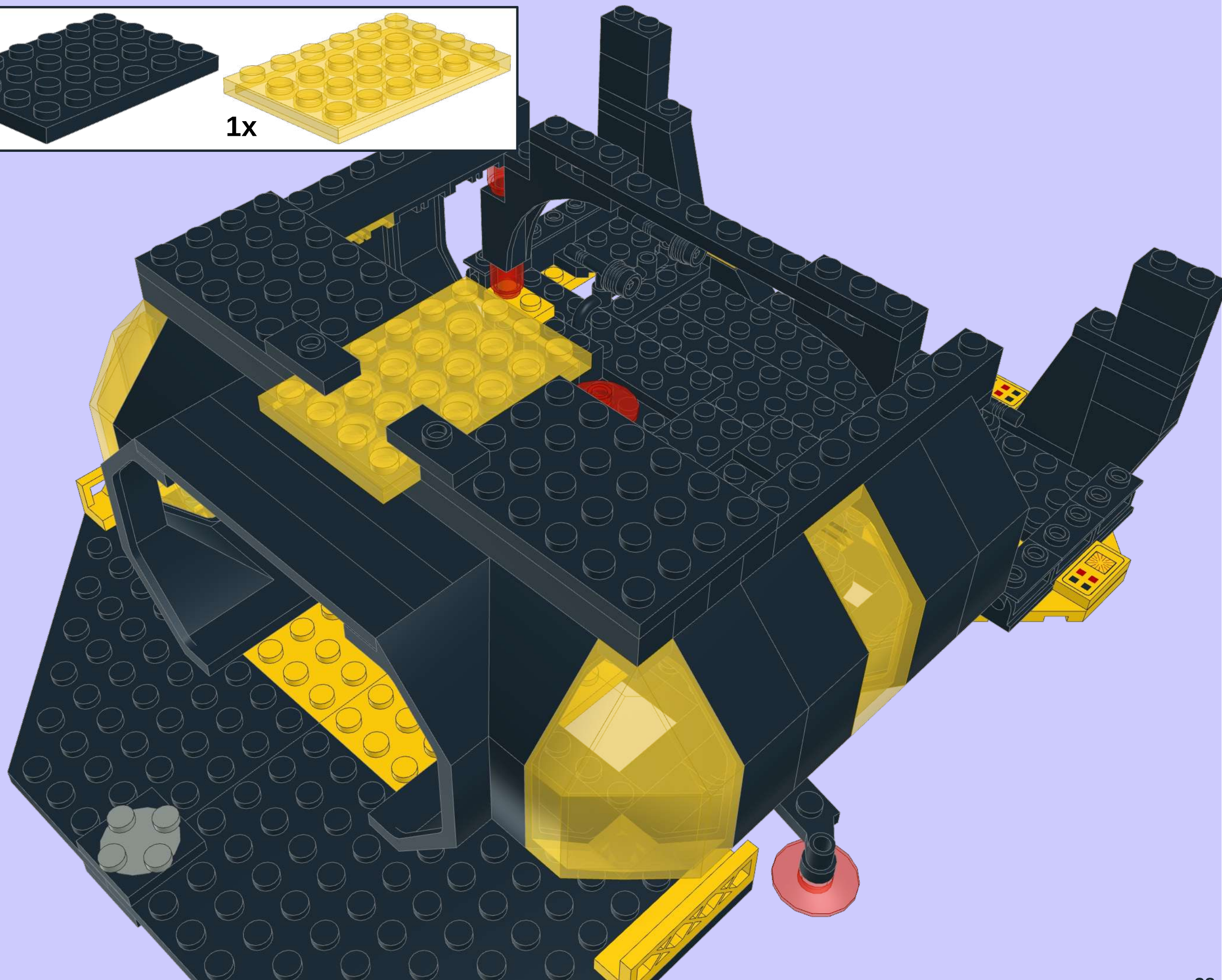
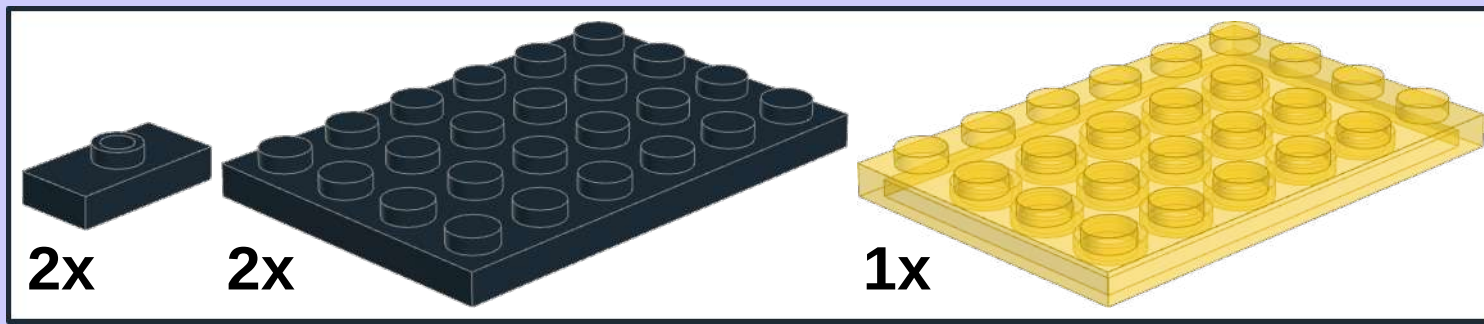
26



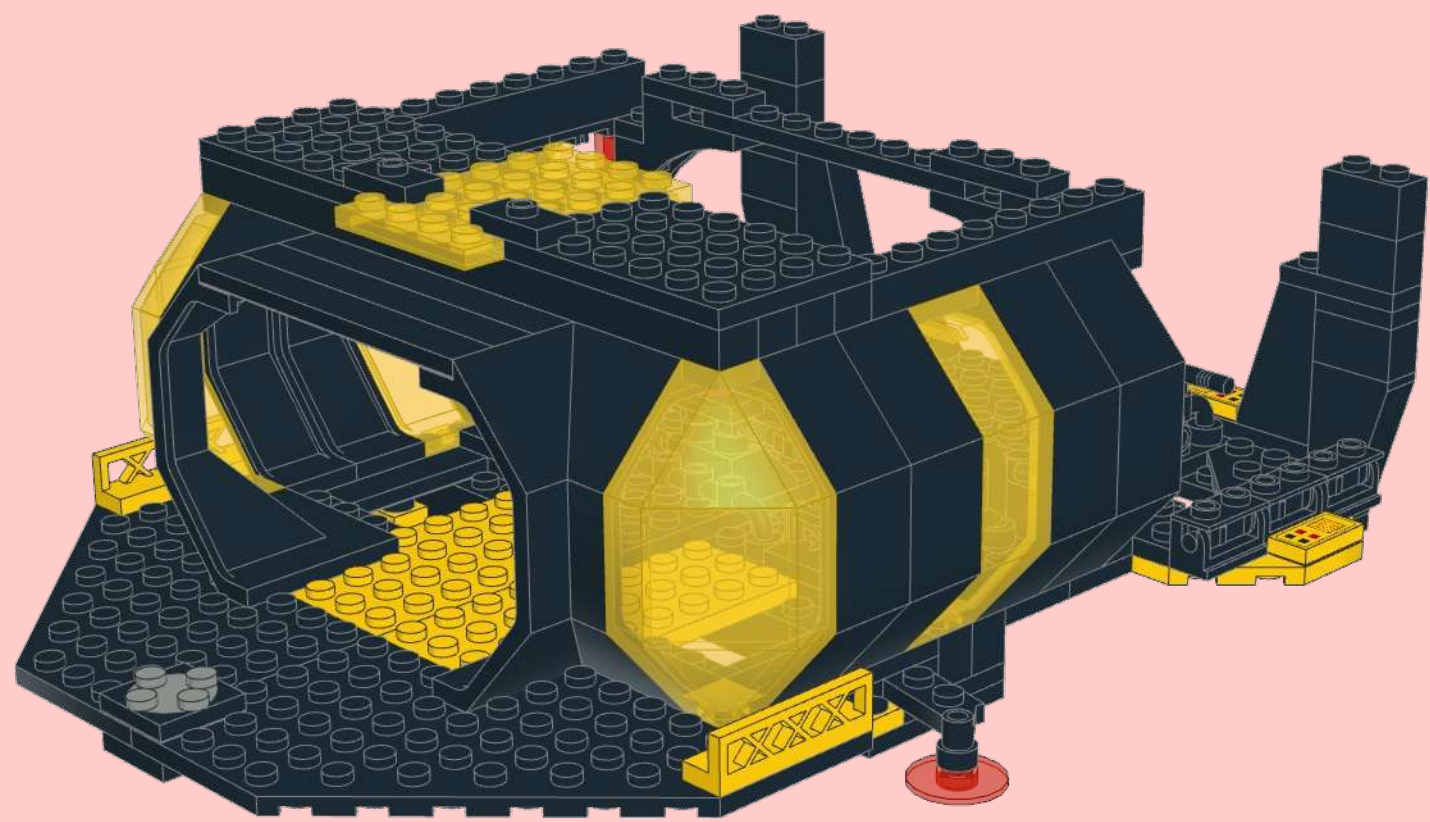
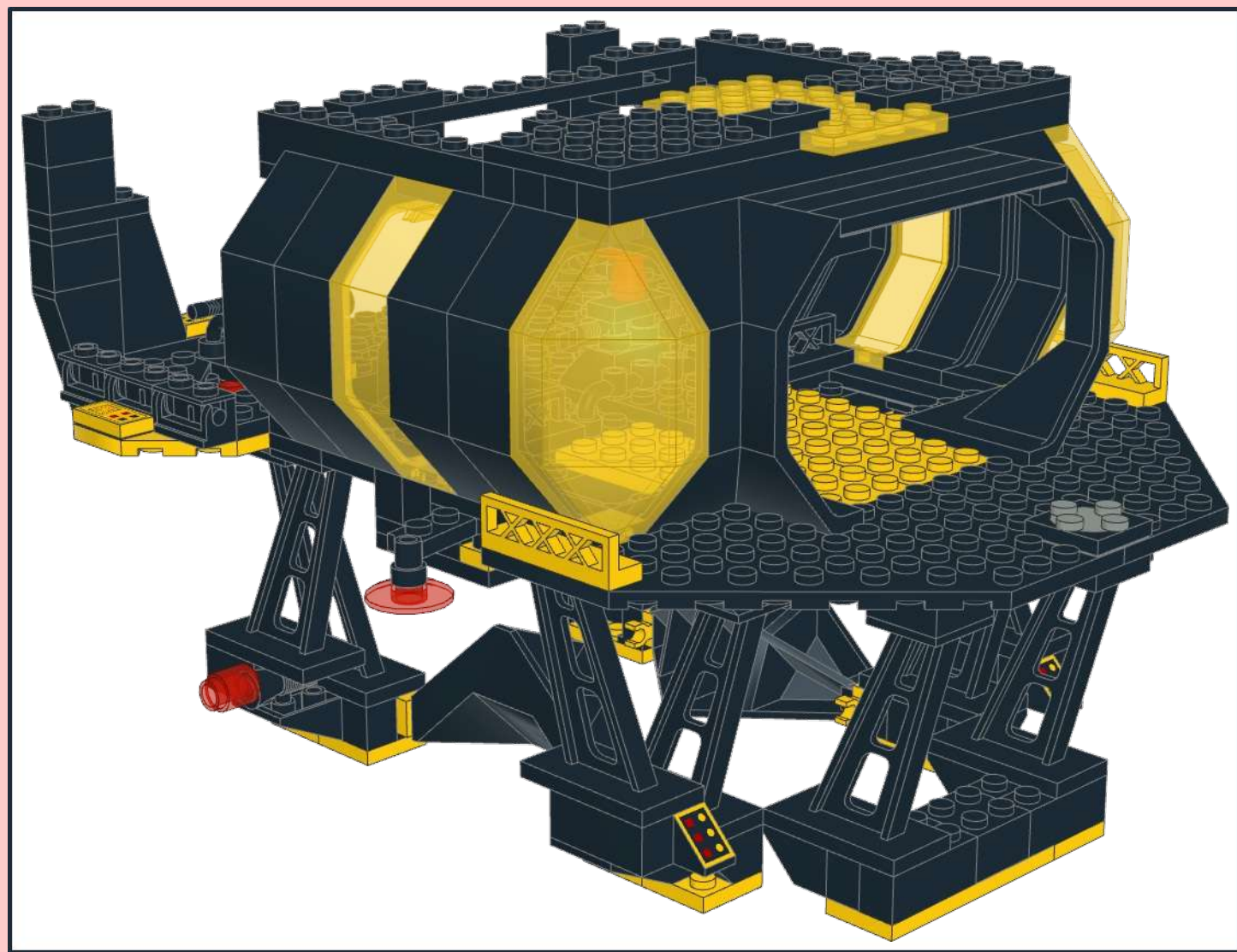
27



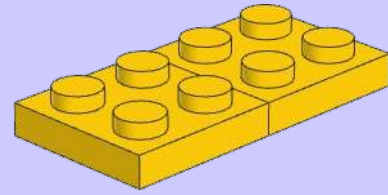
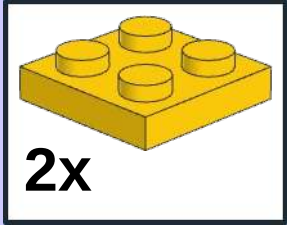
31



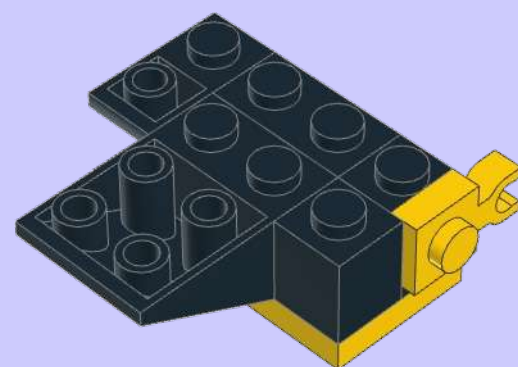
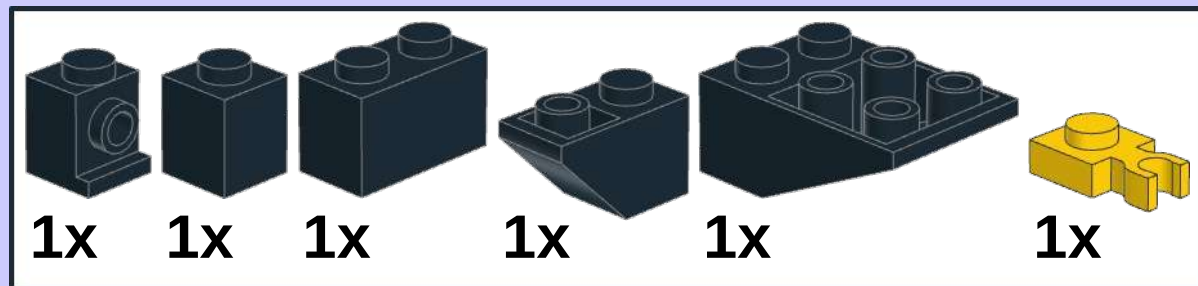
1



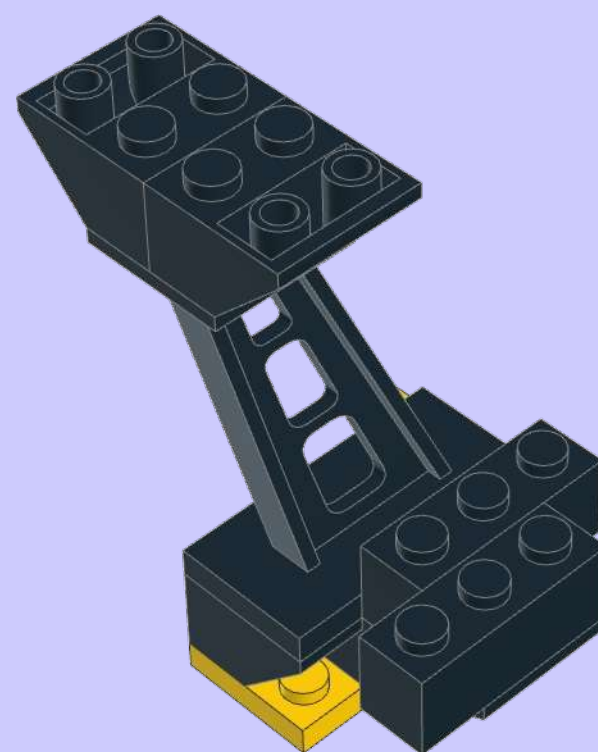
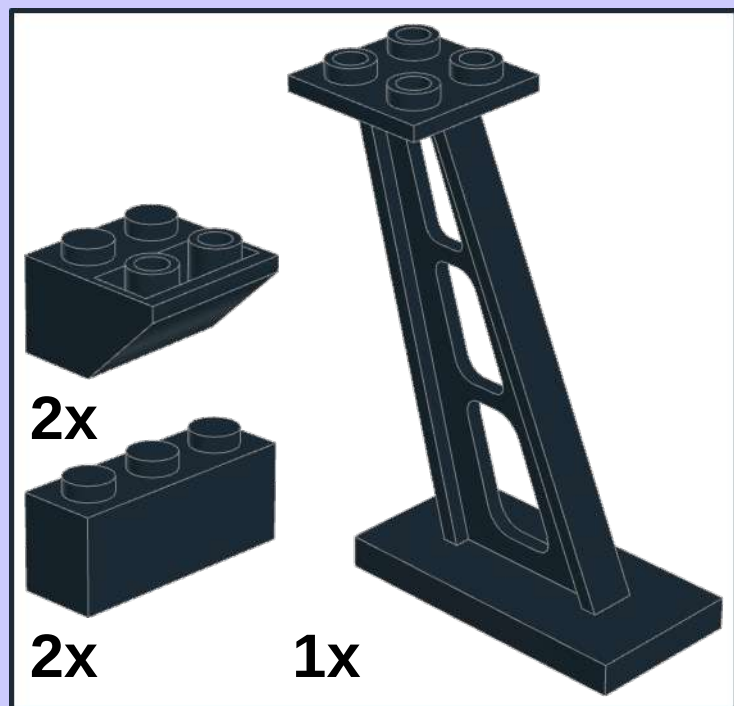
1



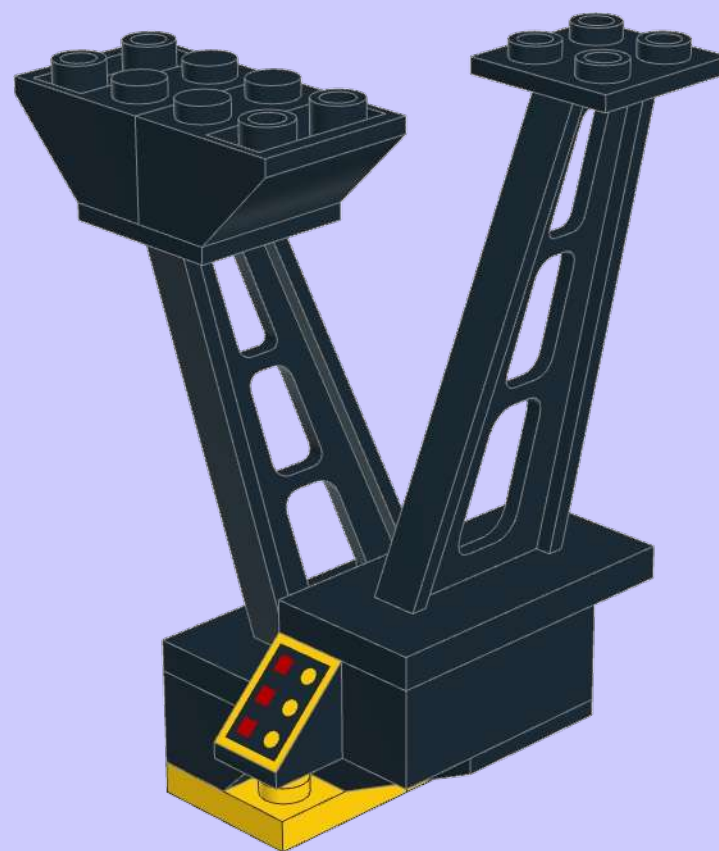
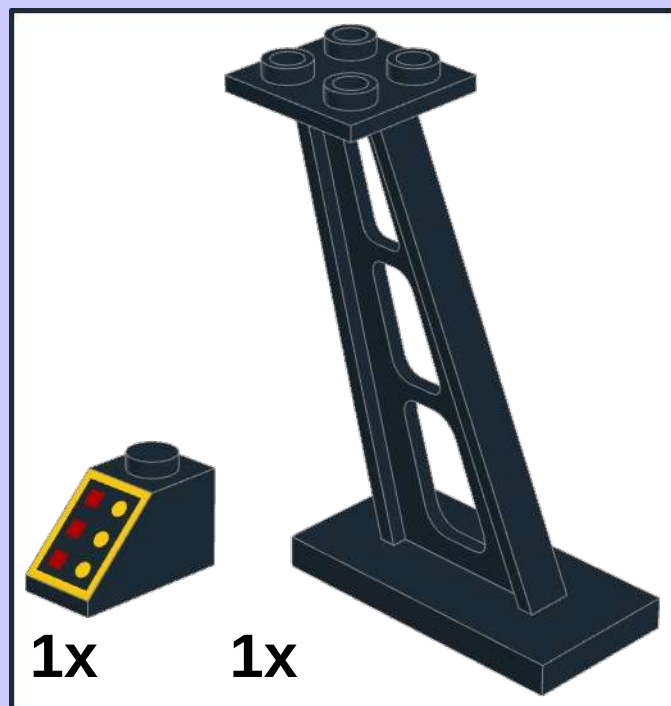
2



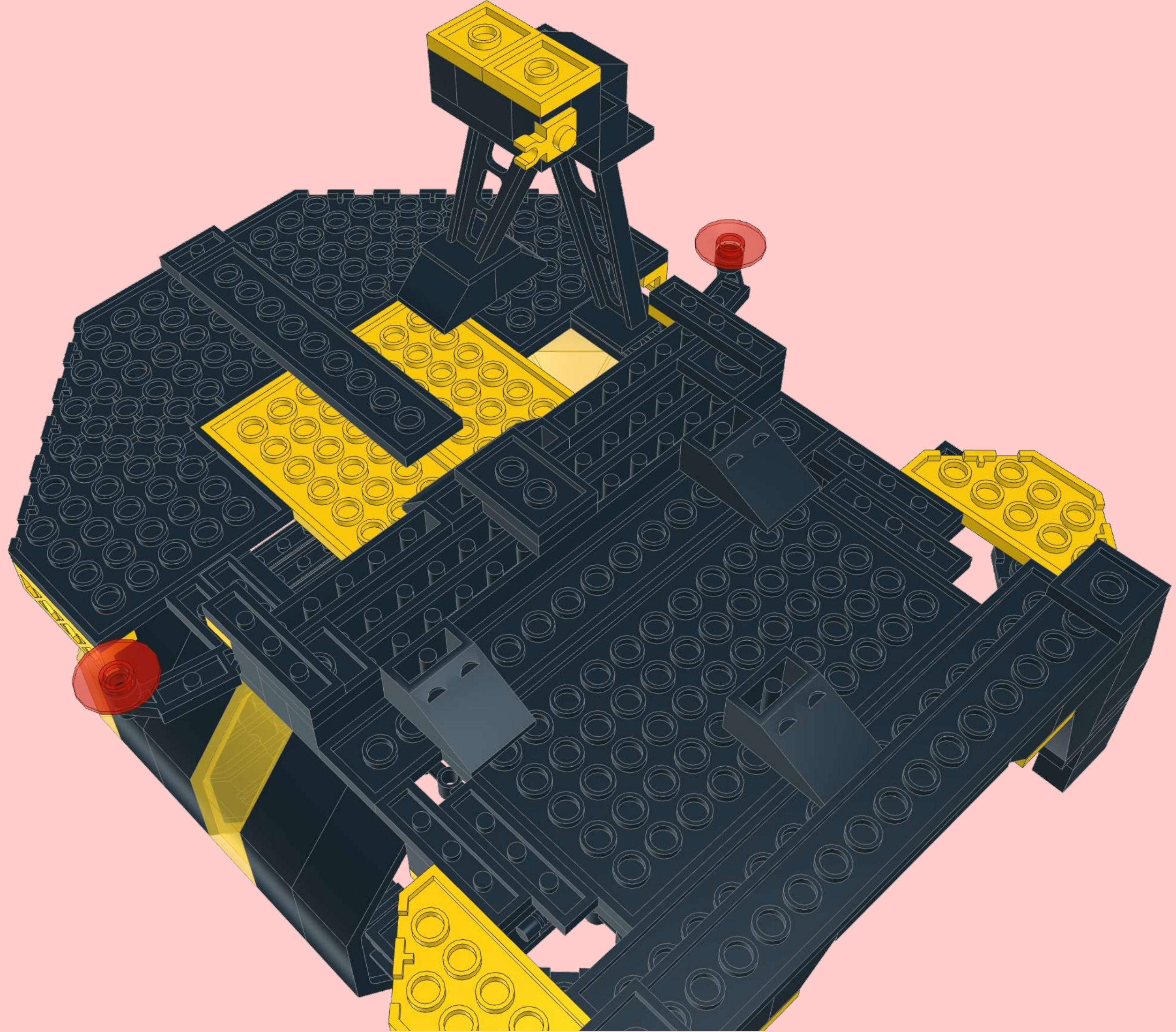
3



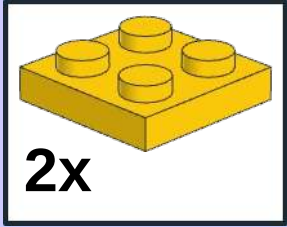
4



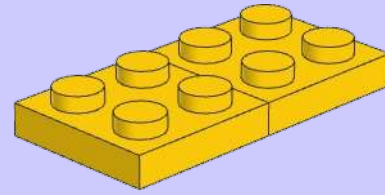
2



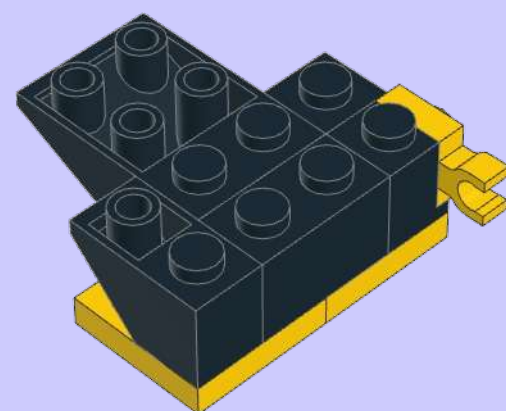
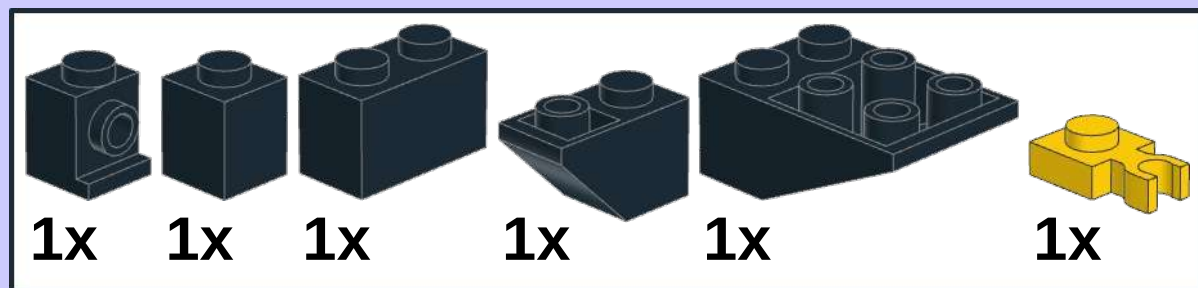
1



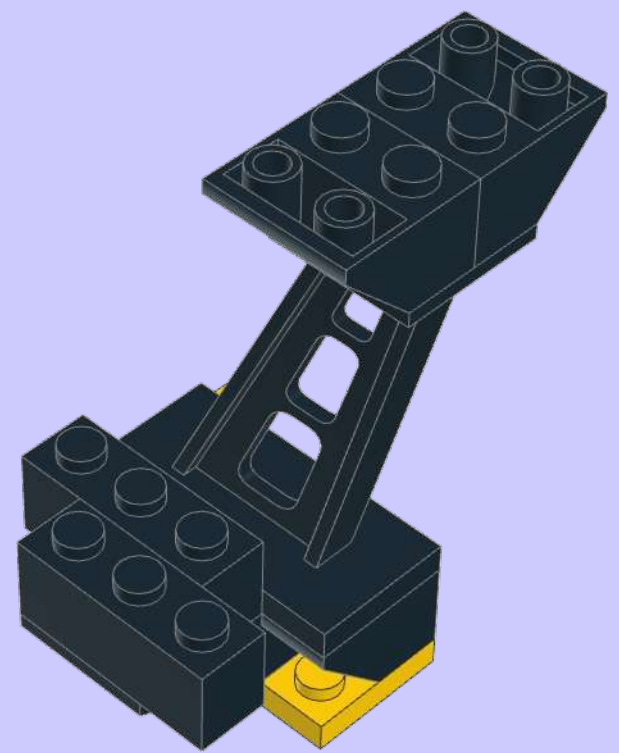
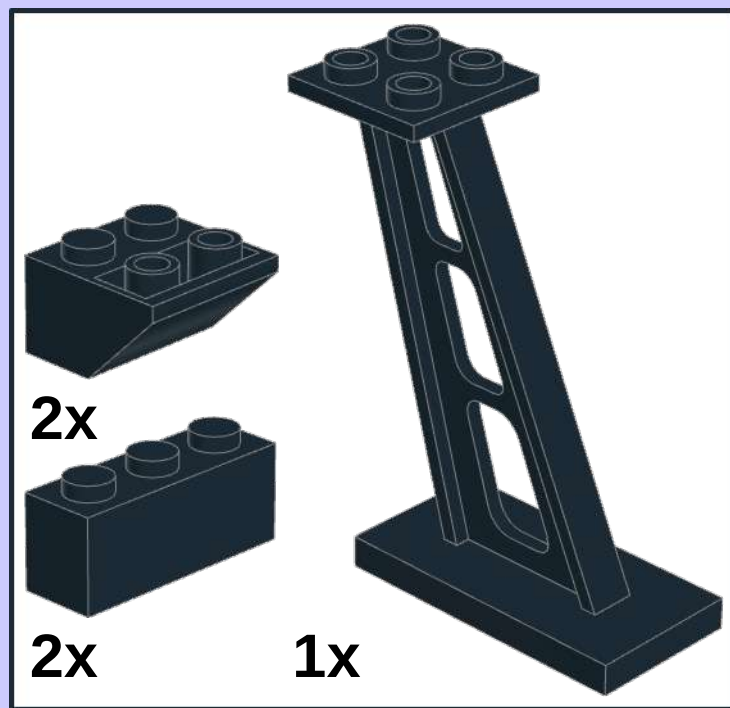
2x



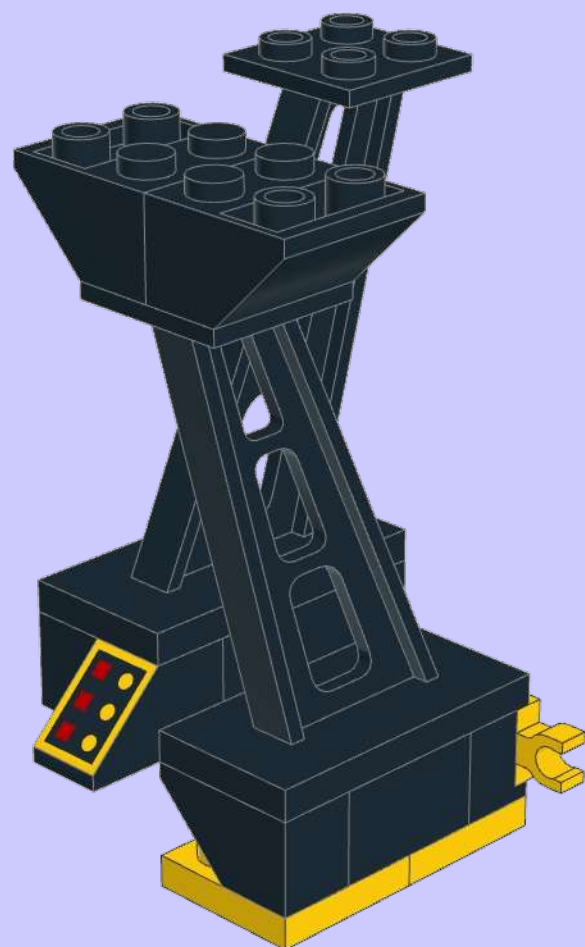
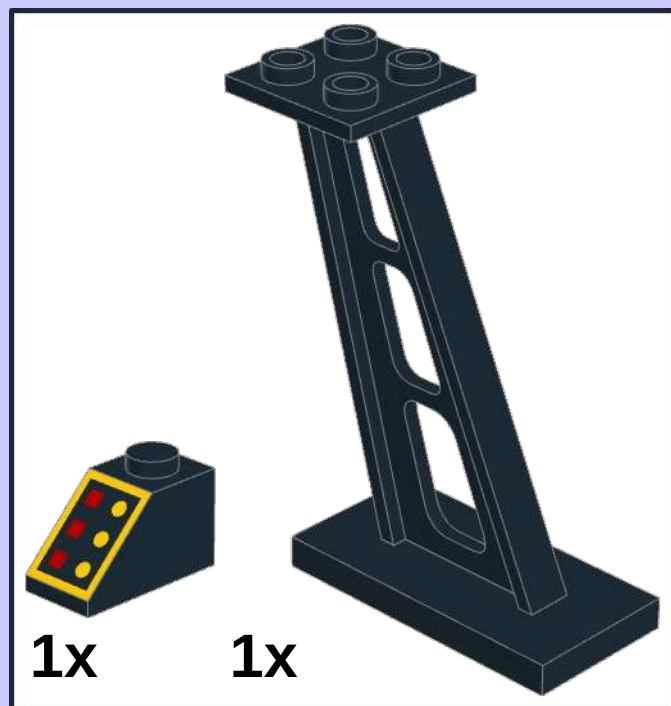
2



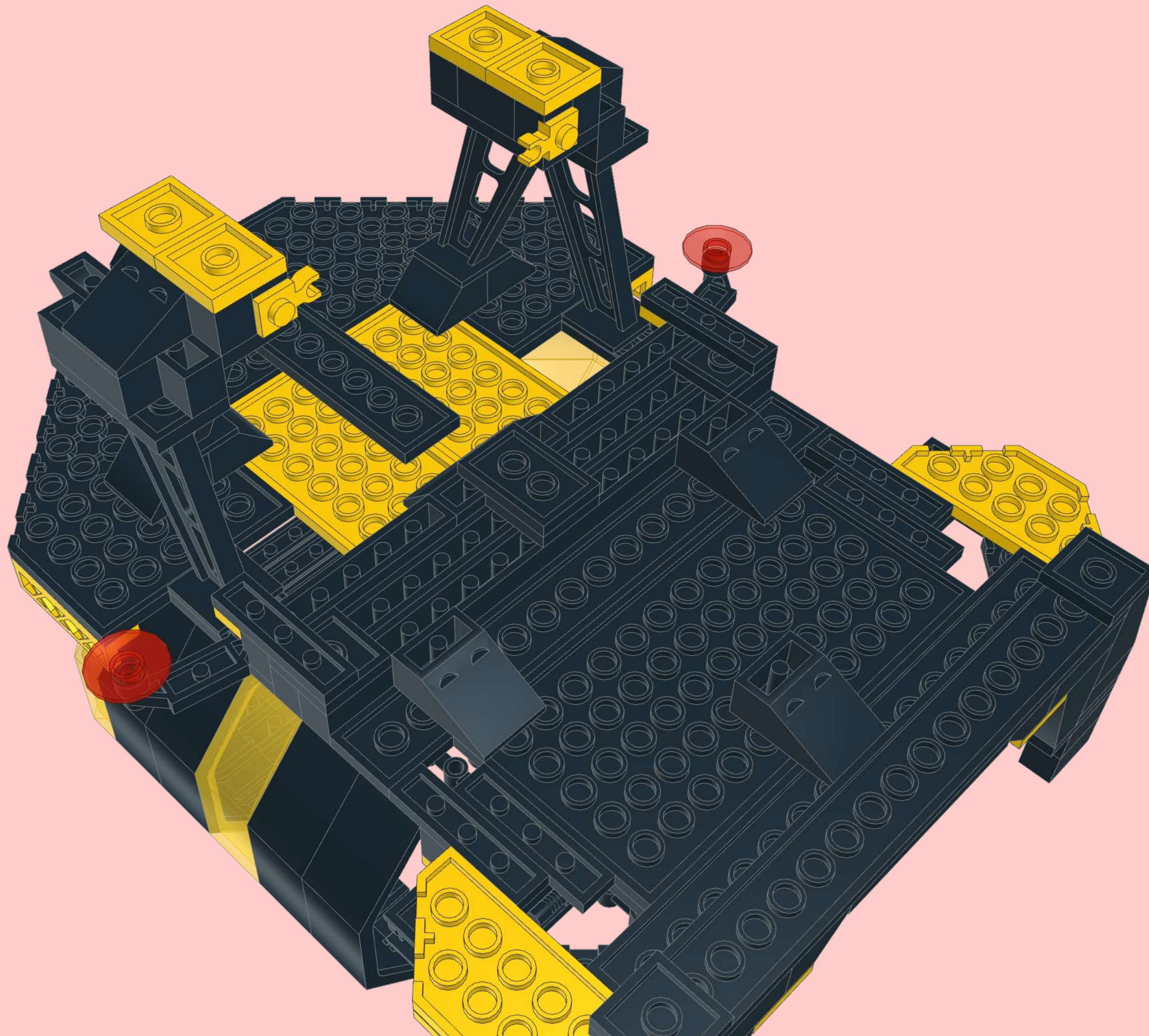
3



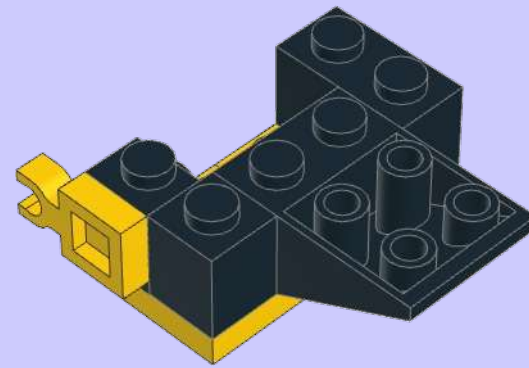
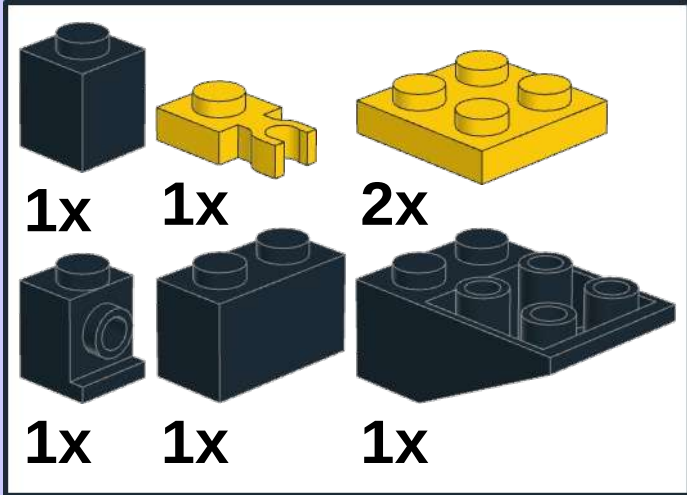
4



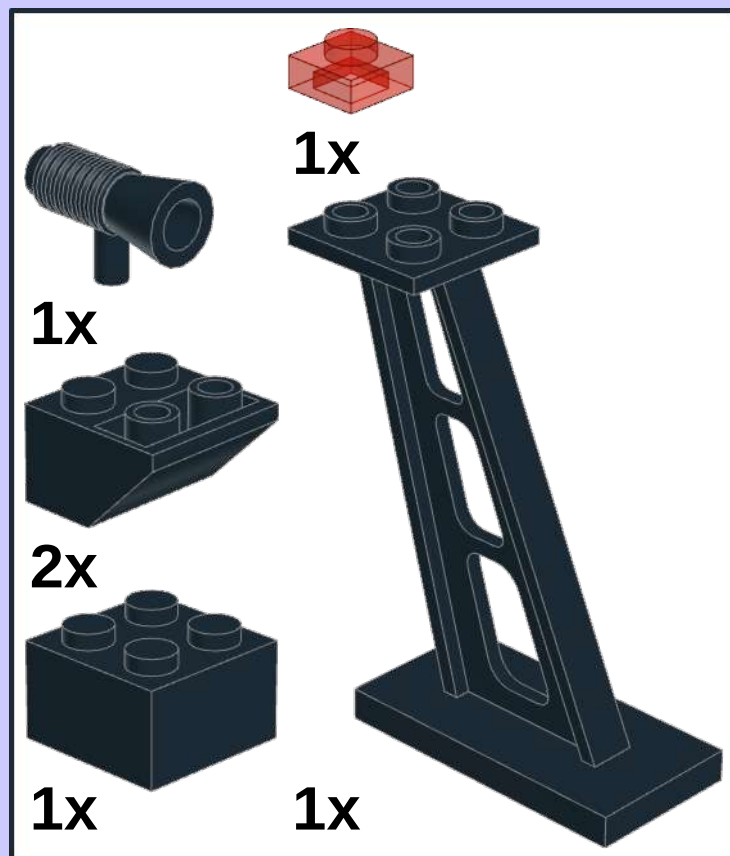
3

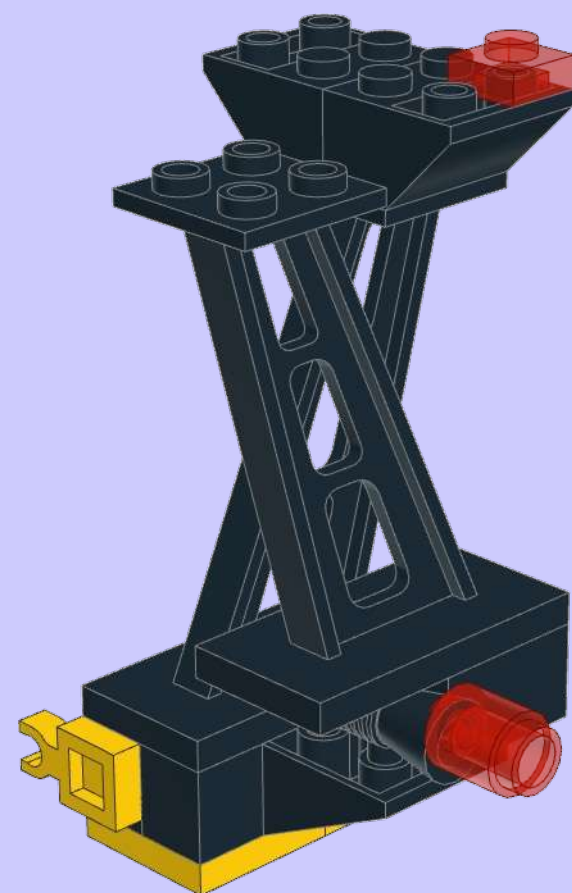
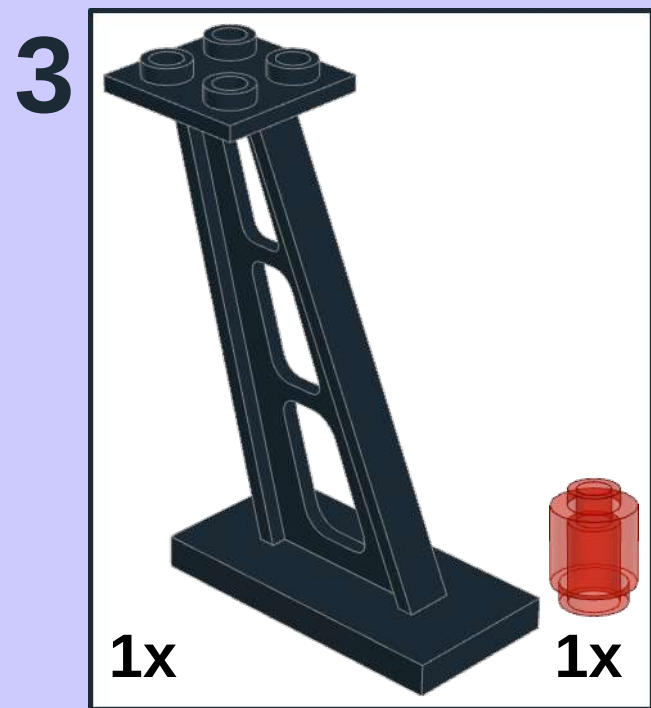


1

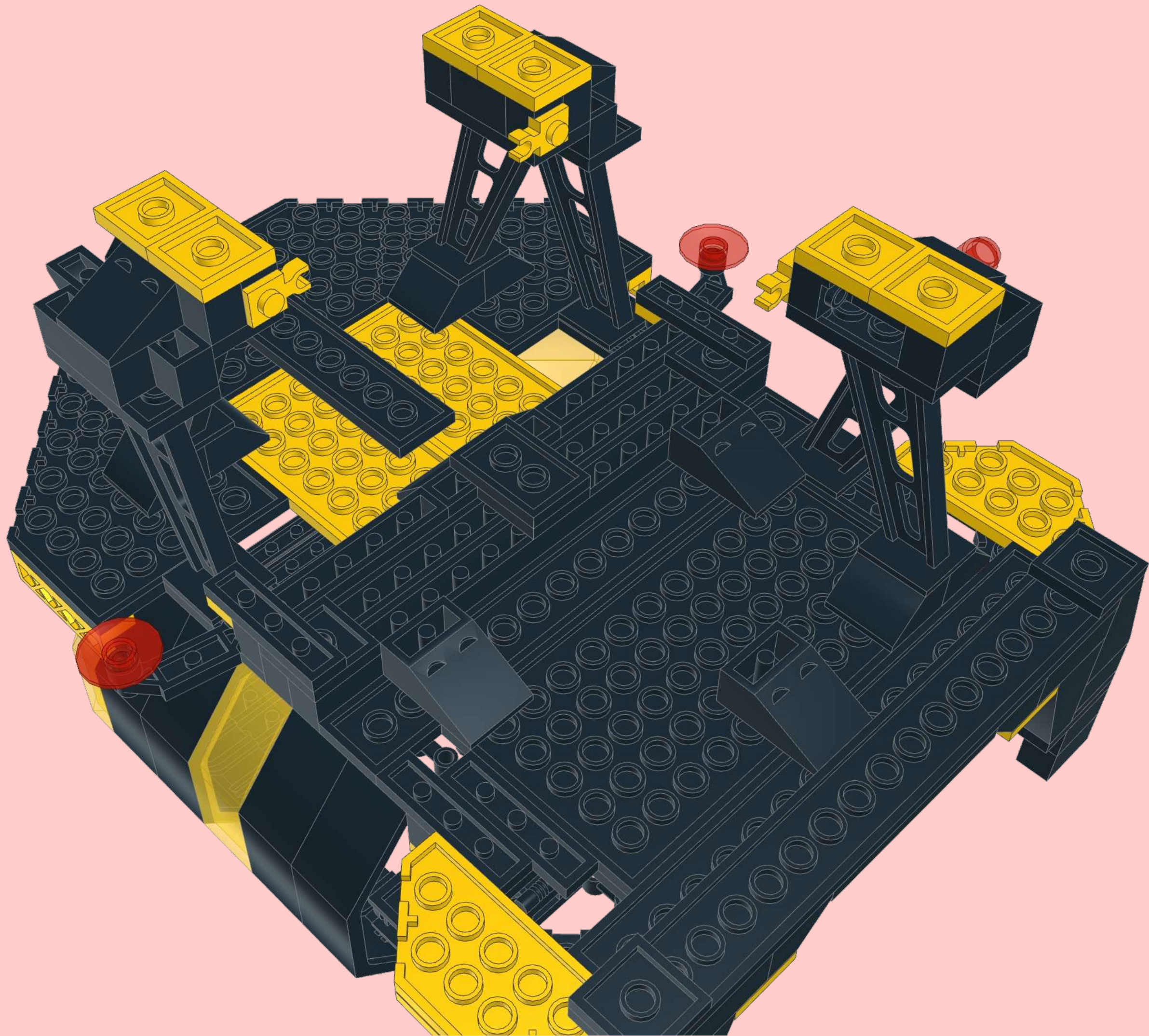


2

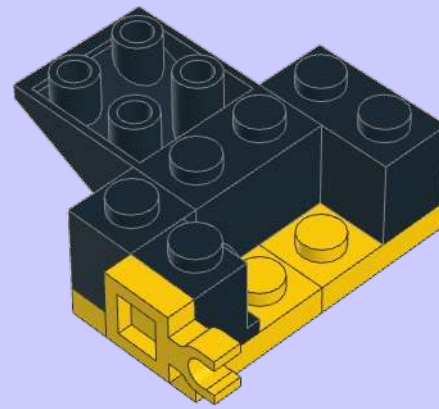
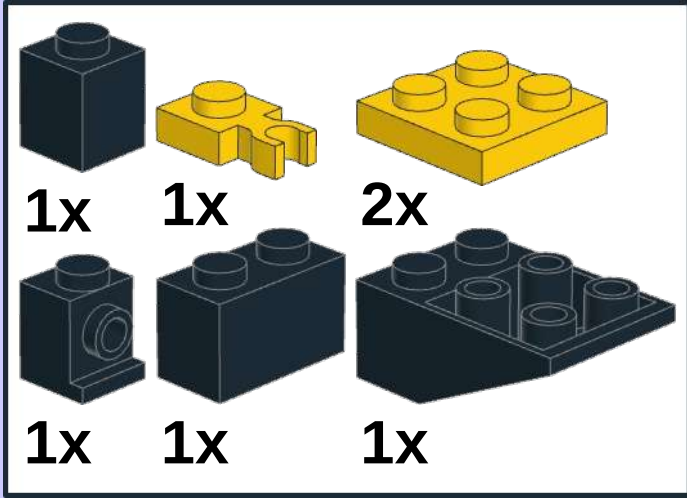
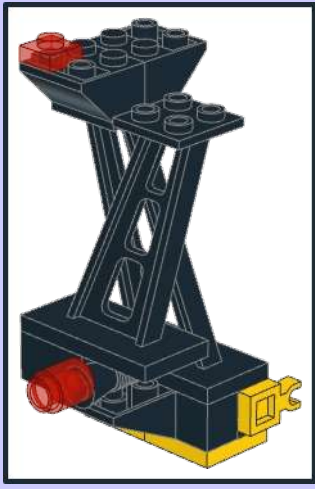




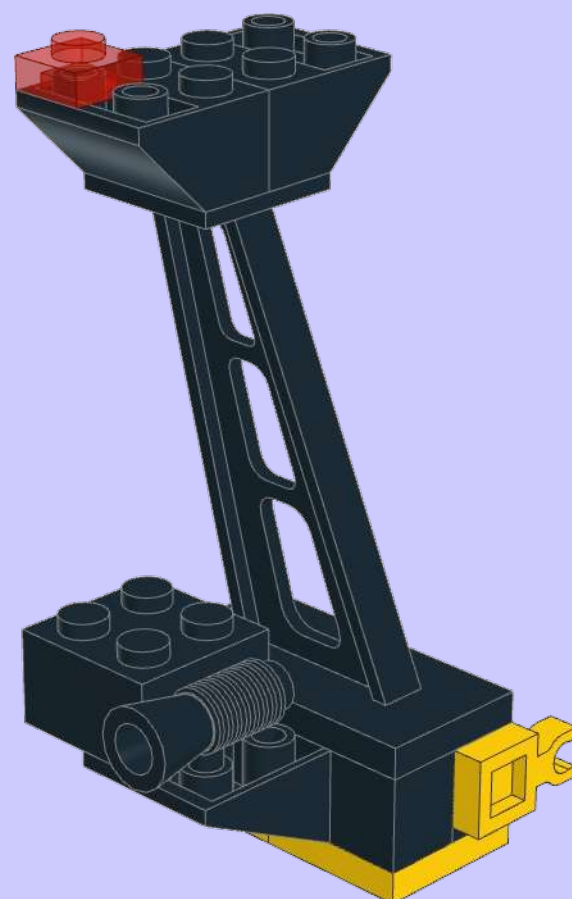
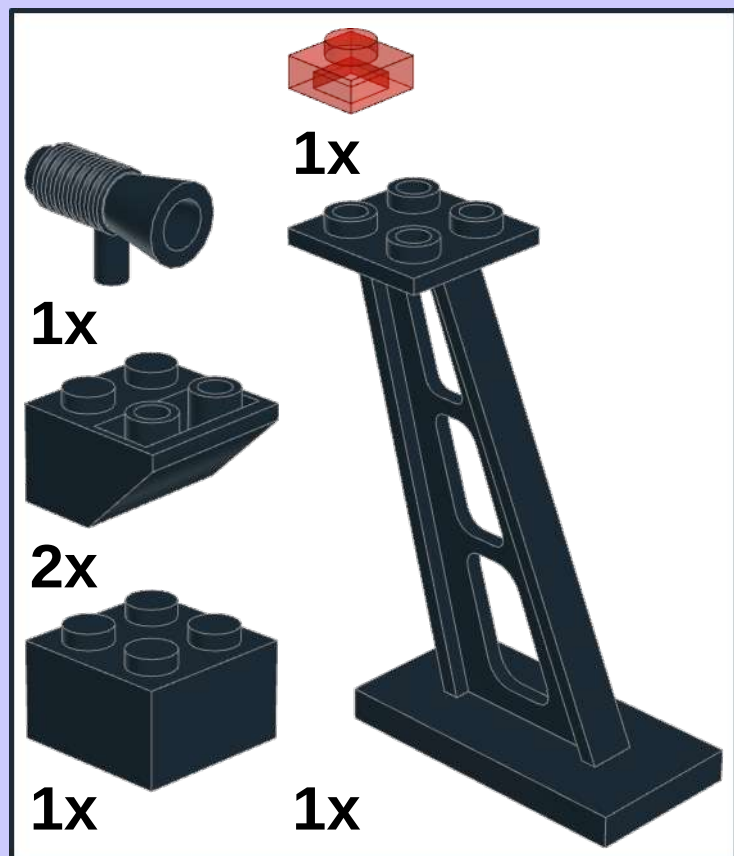
4

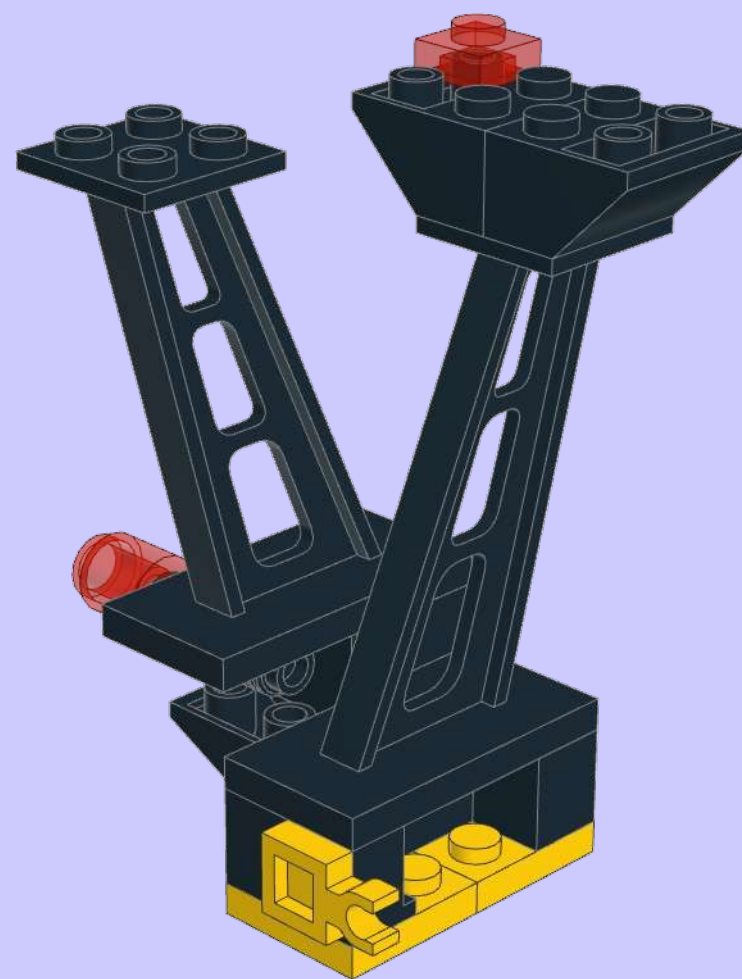
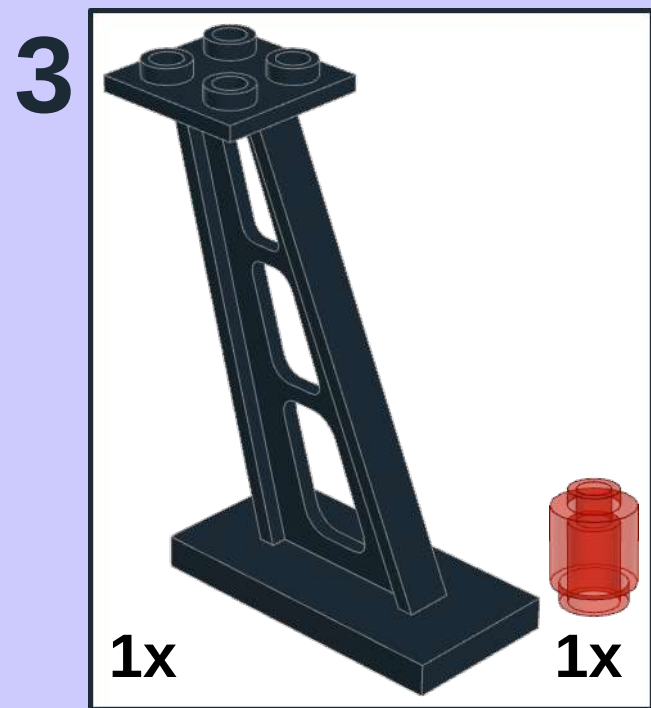


1

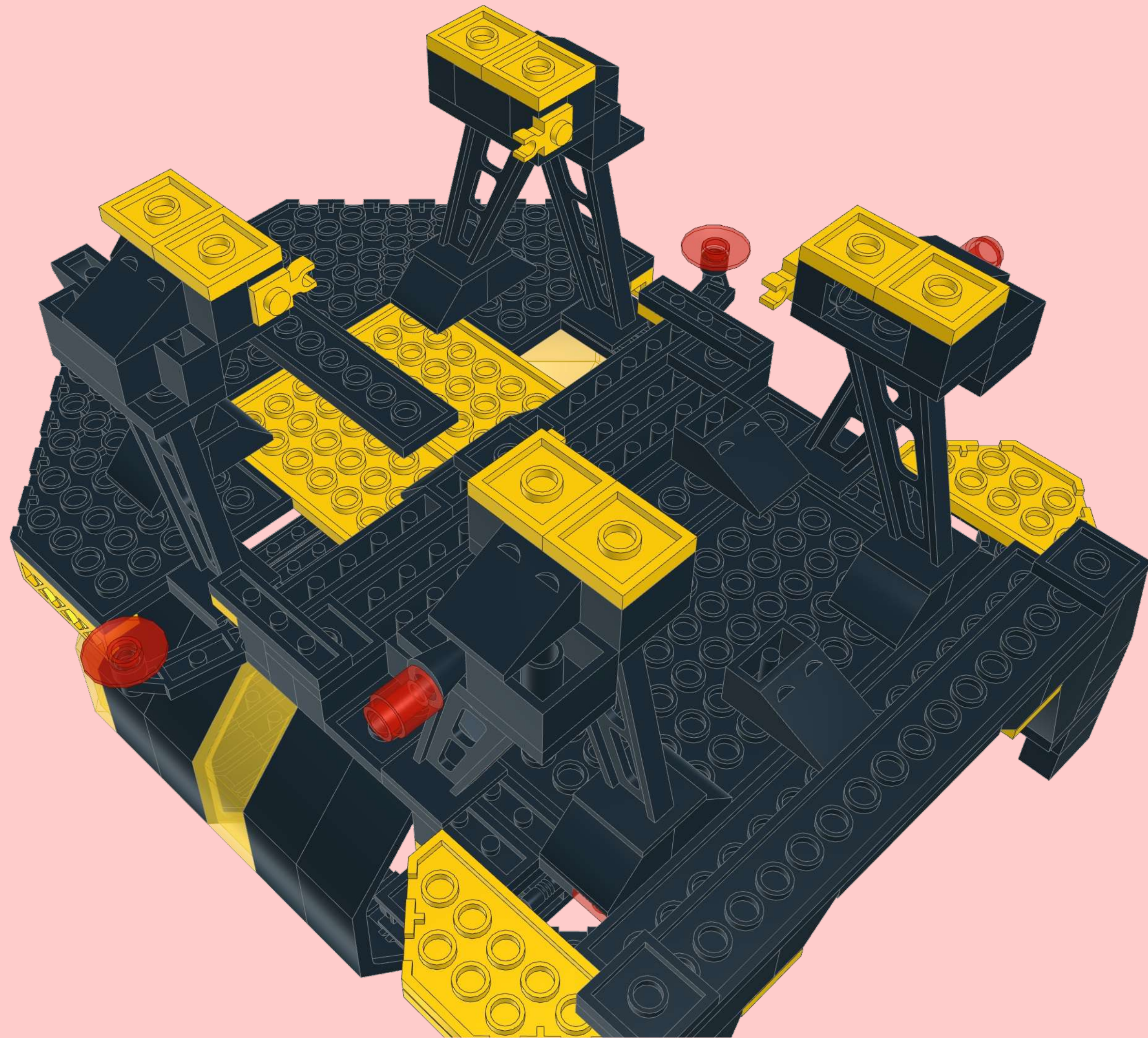


2

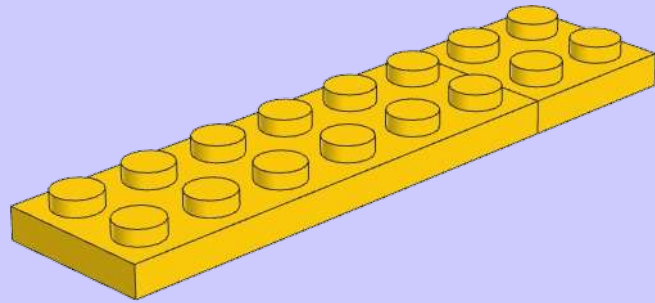
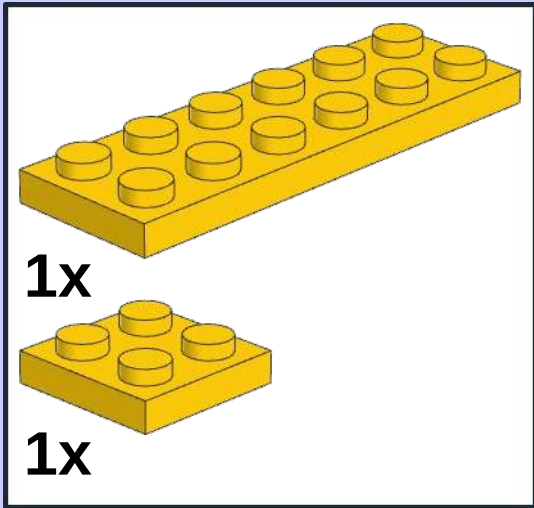
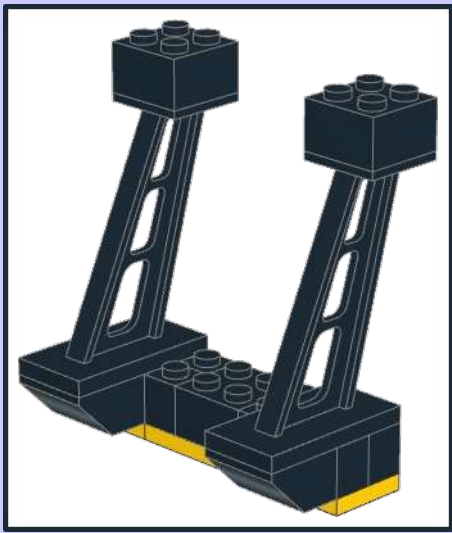


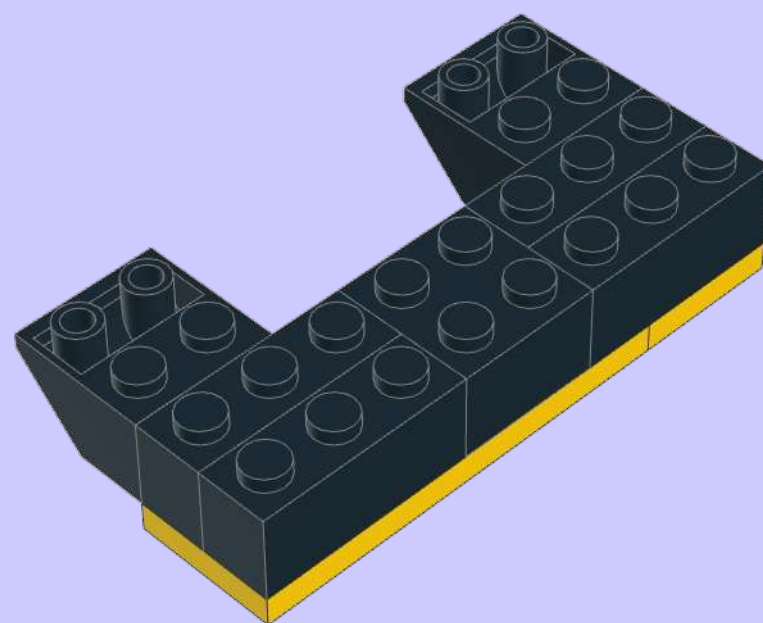
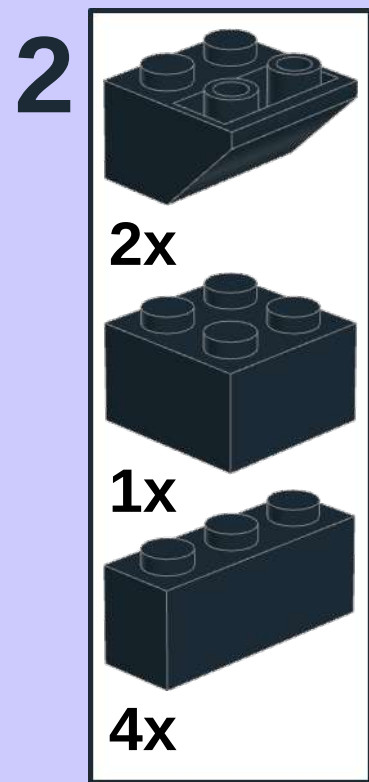


5

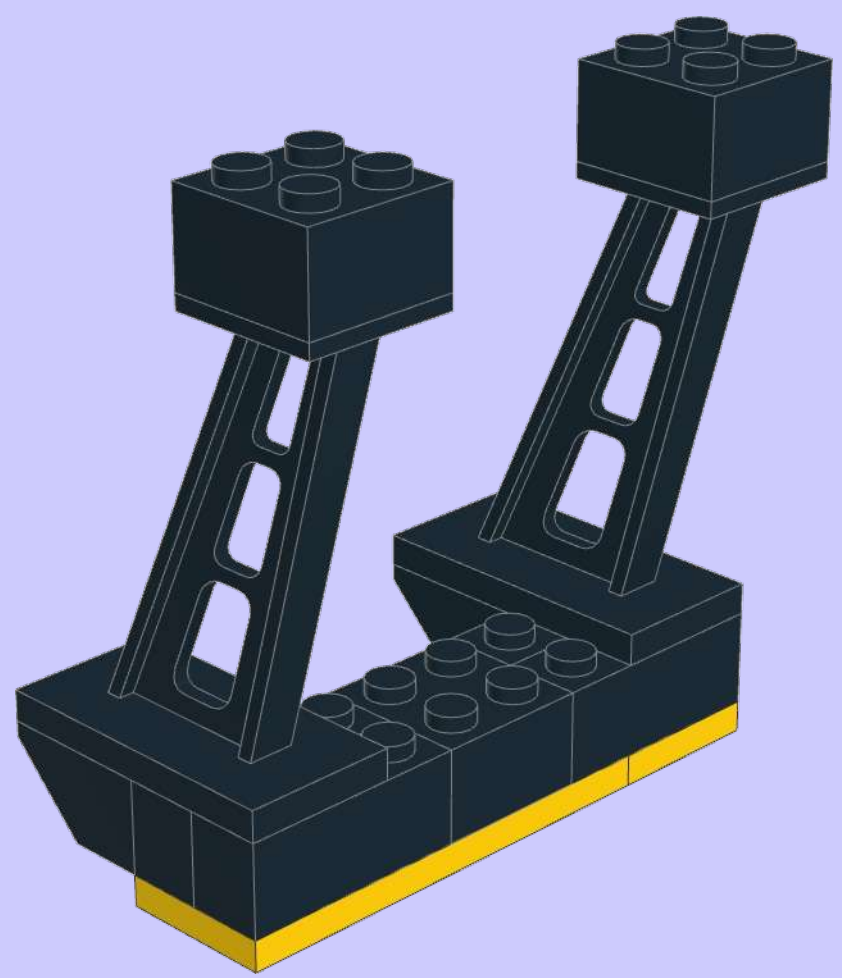
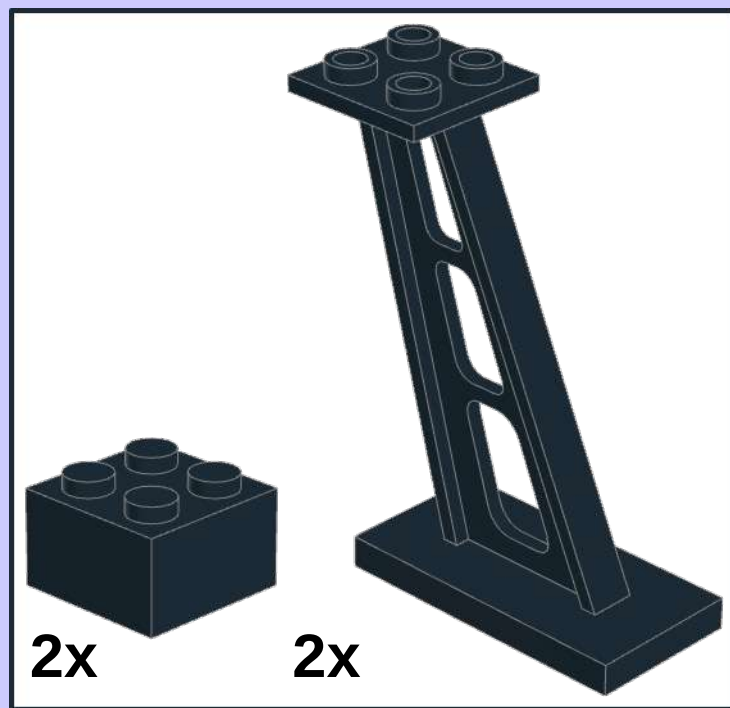


1

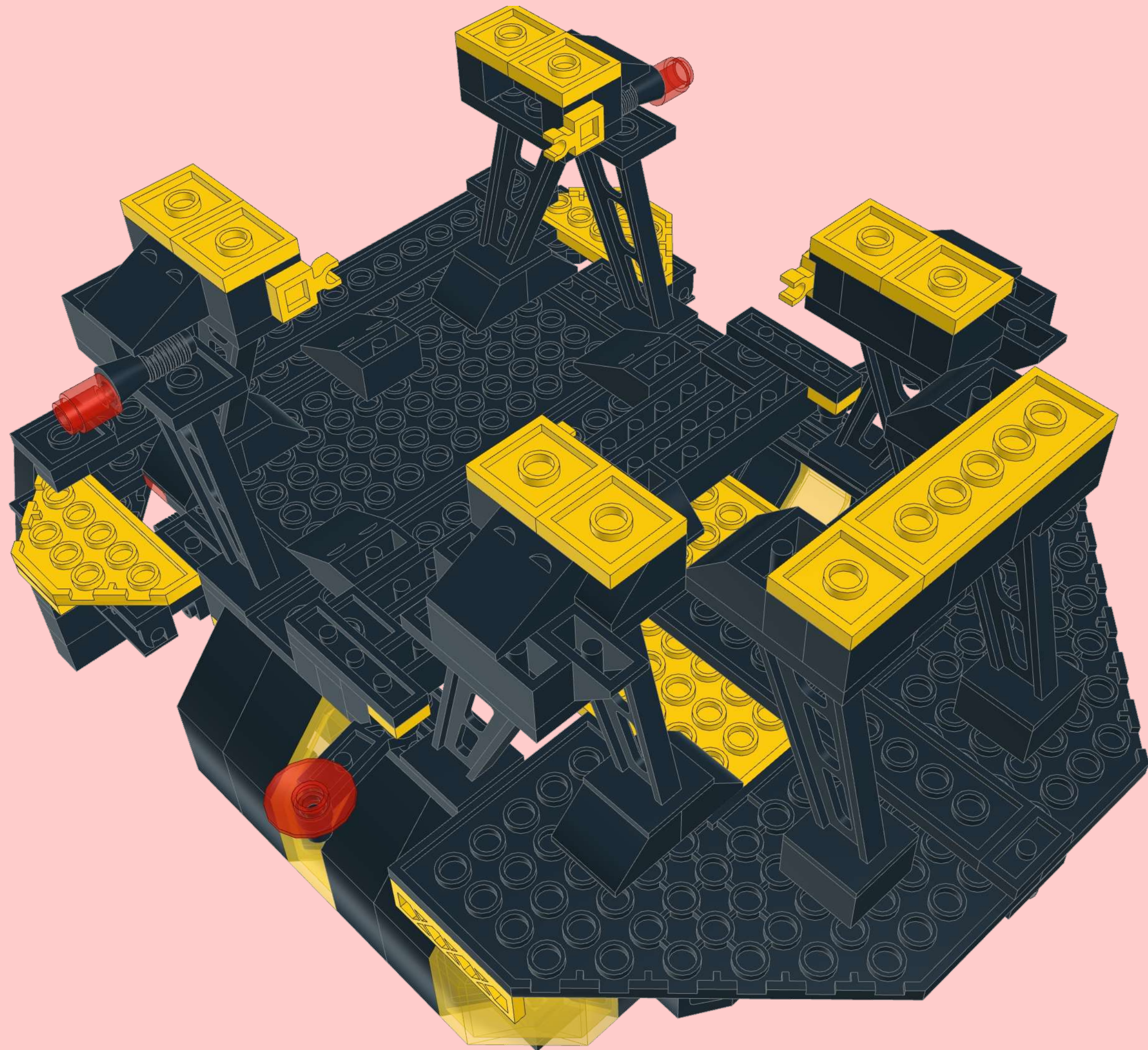




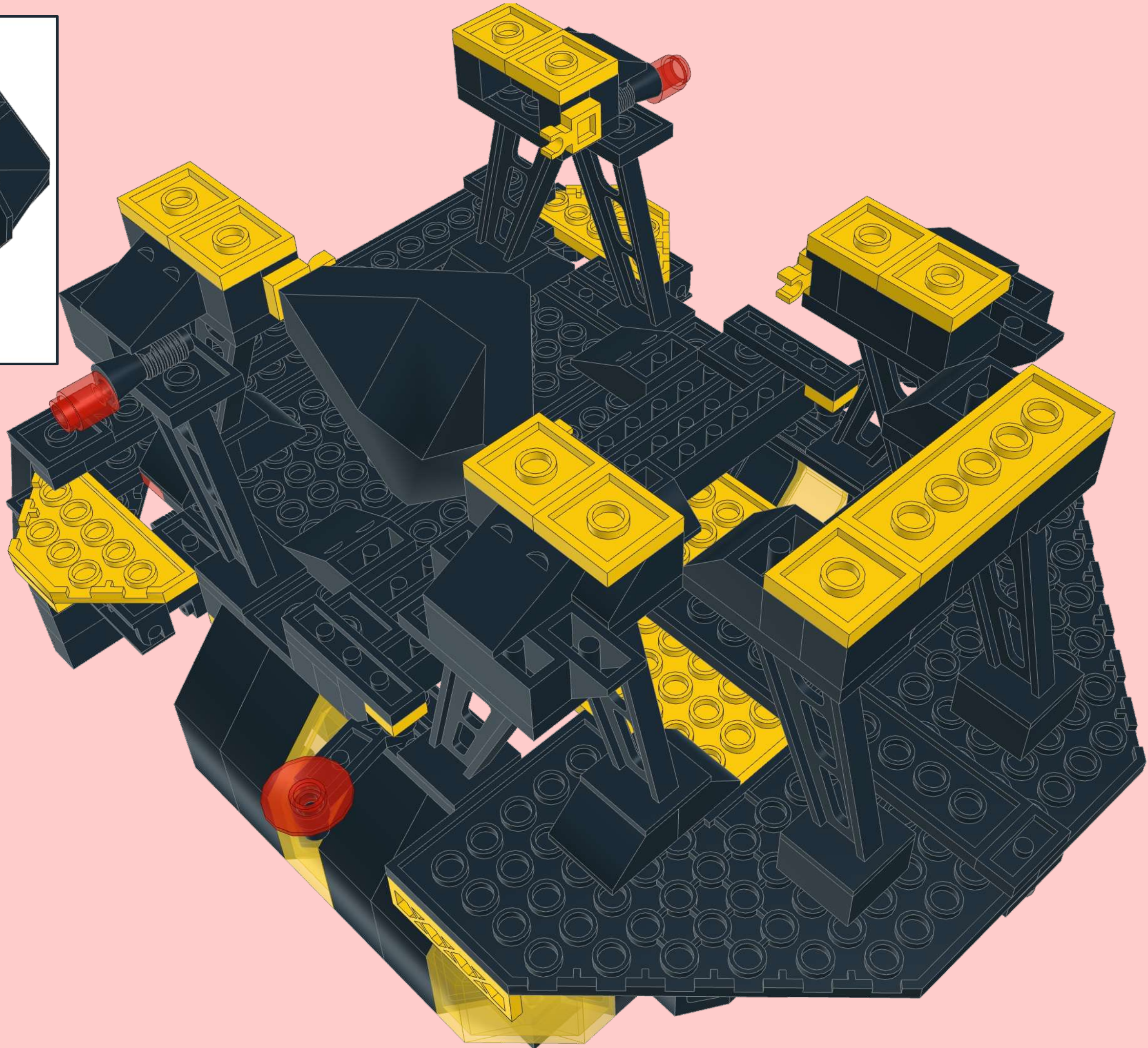
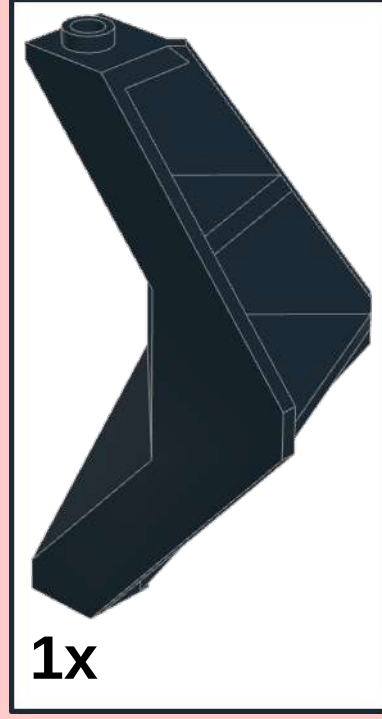
3



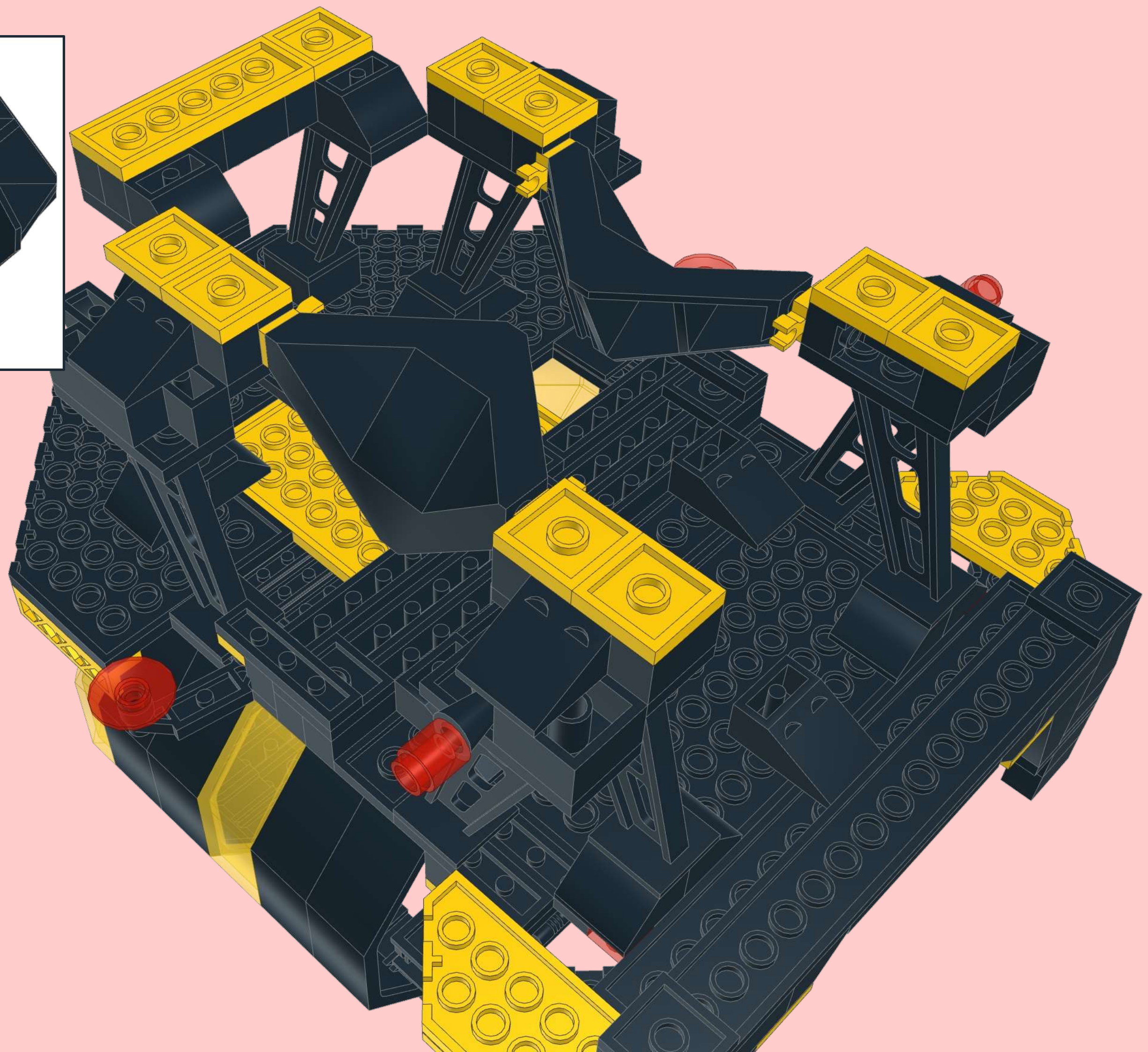
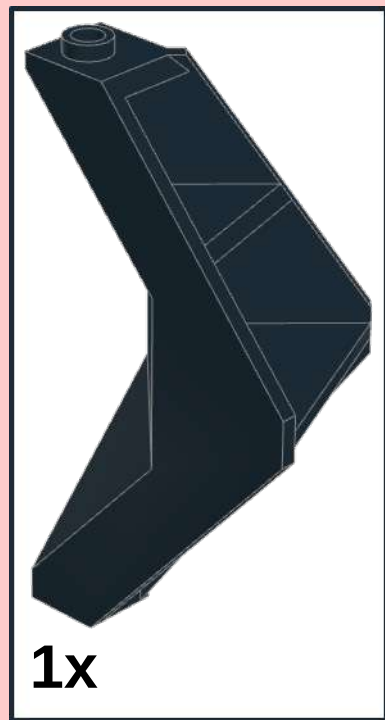
6



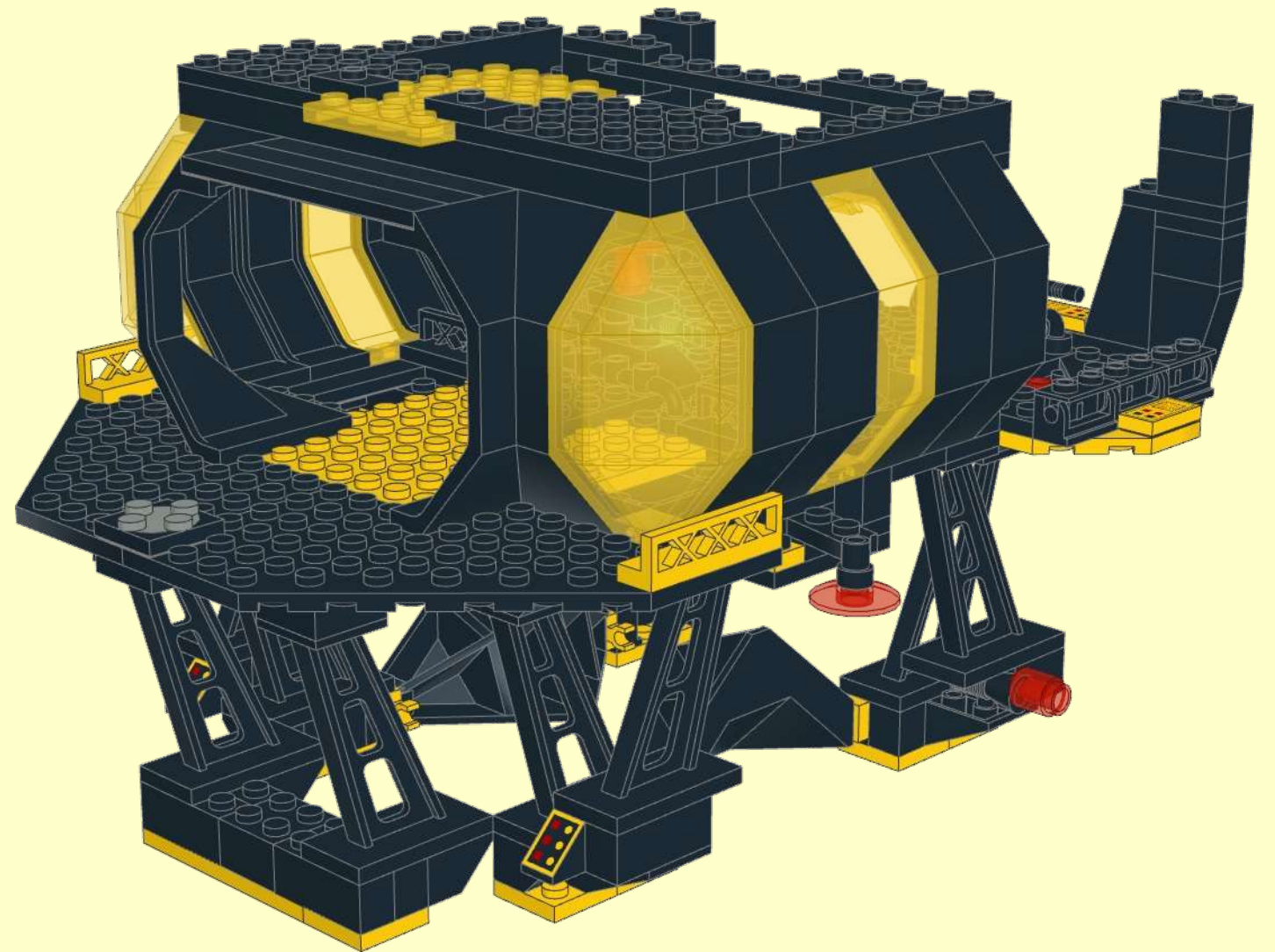
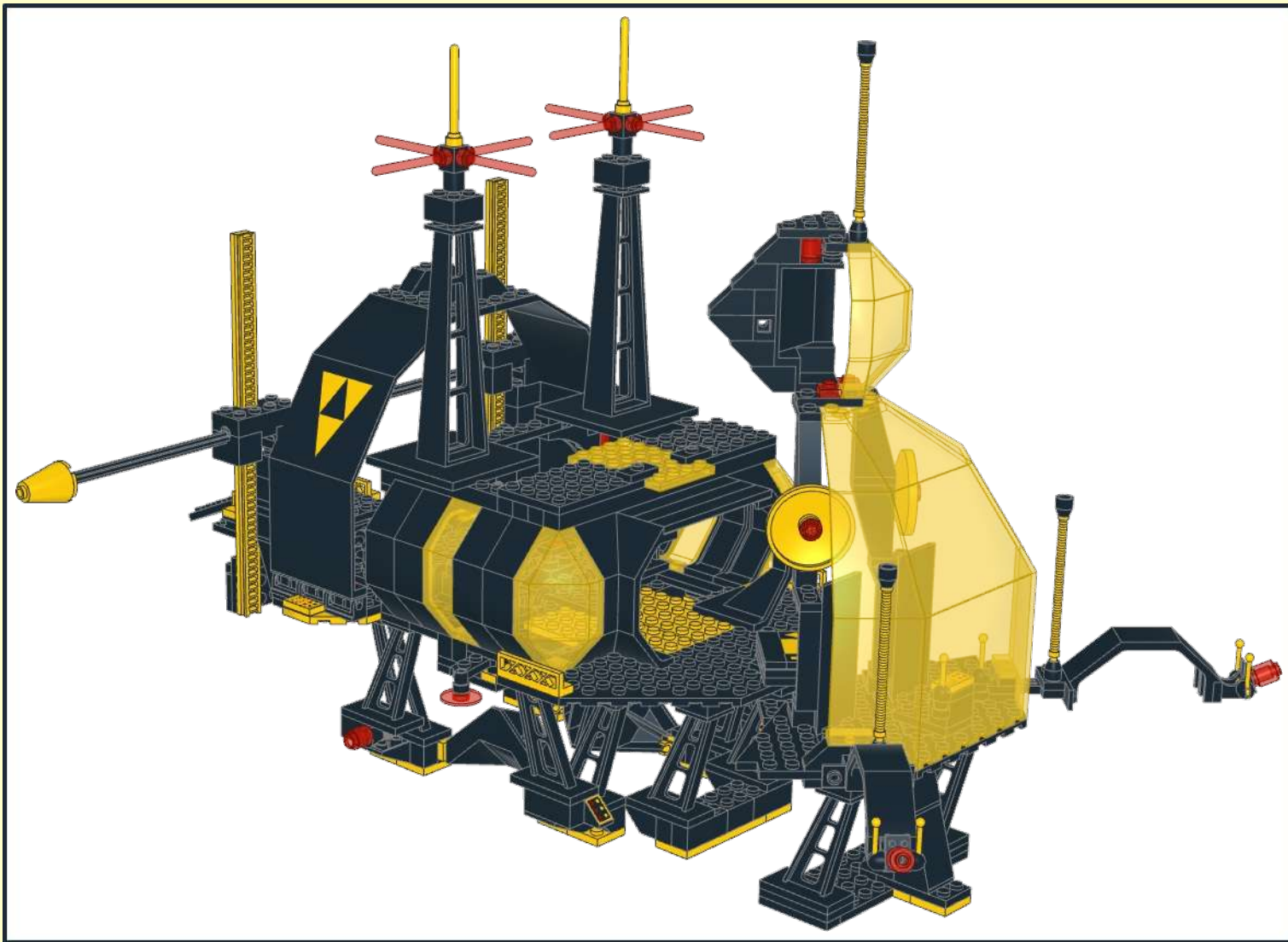
7



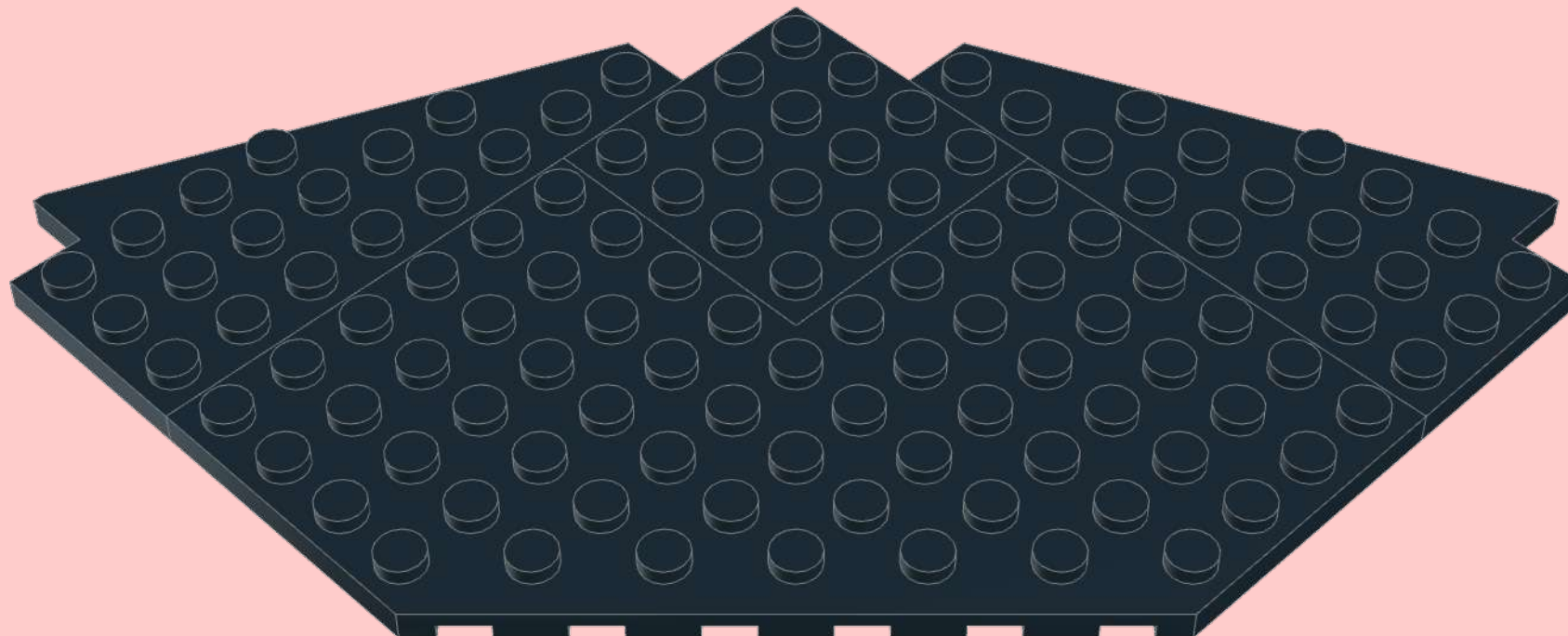
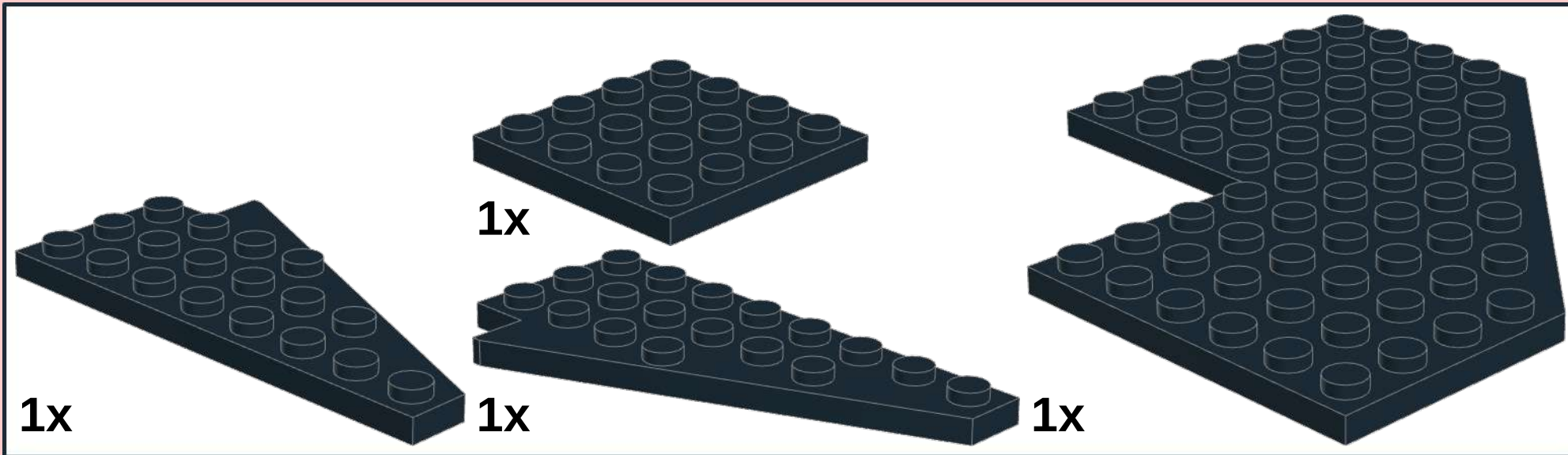
8

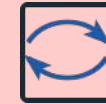
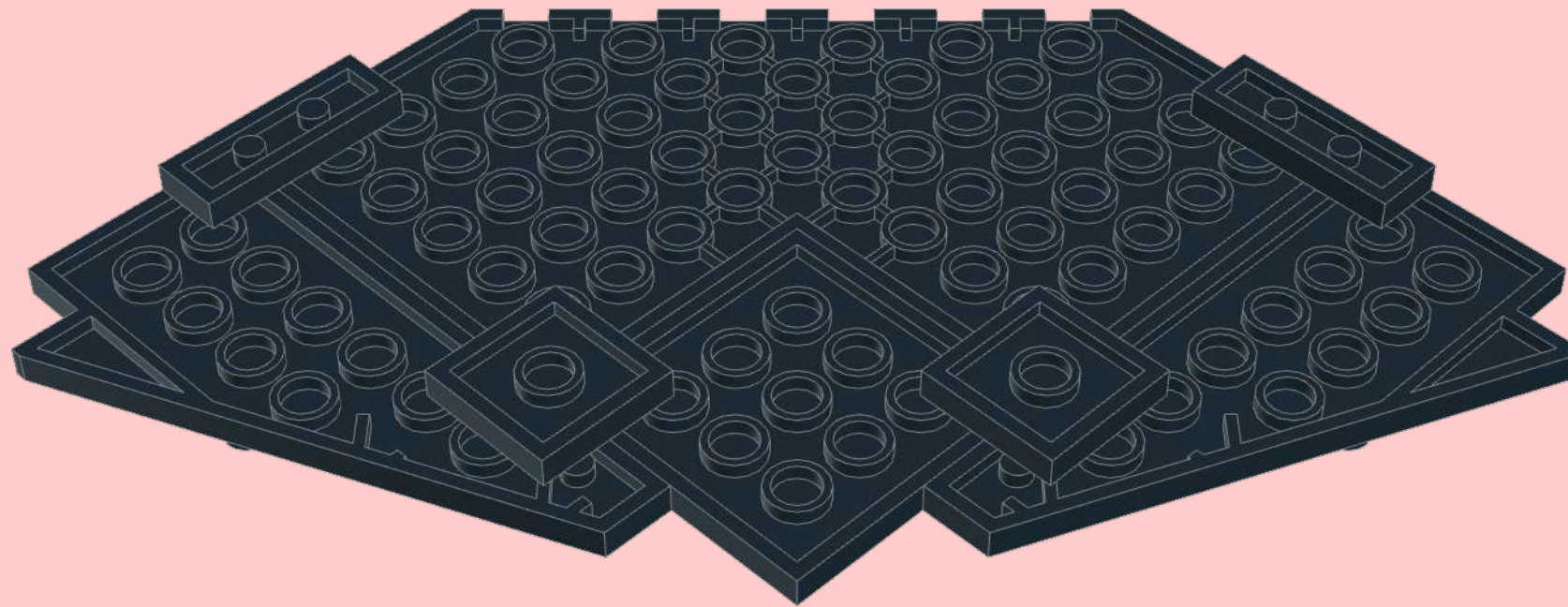
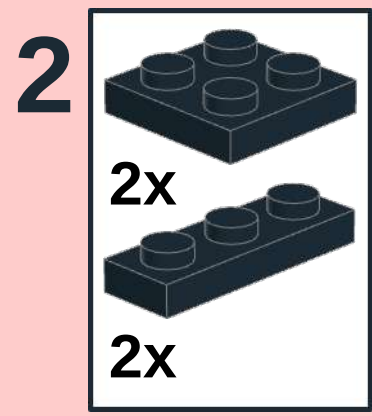


1

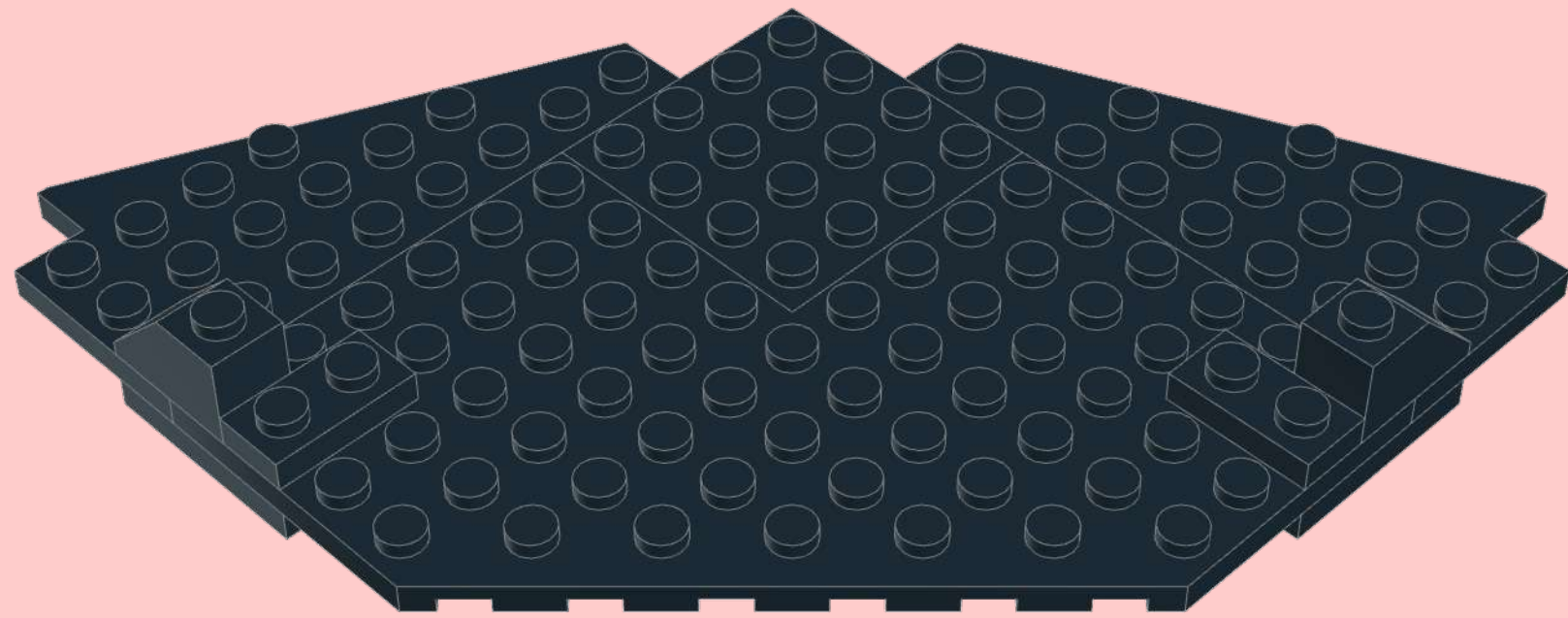
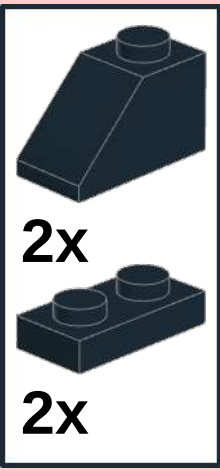


1

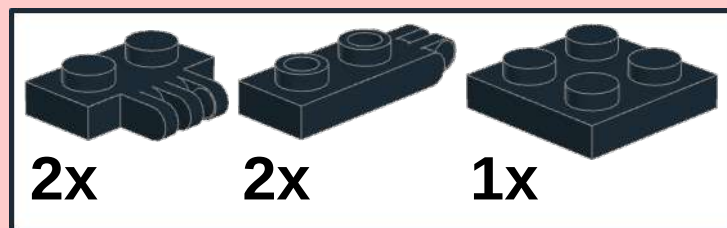


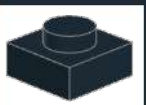


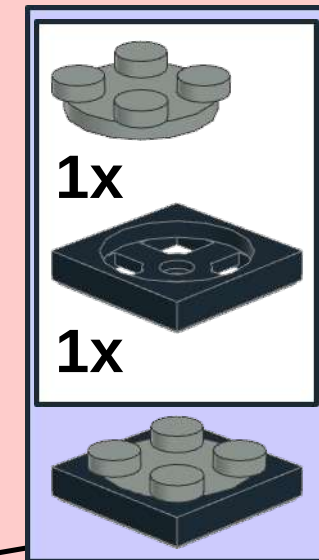
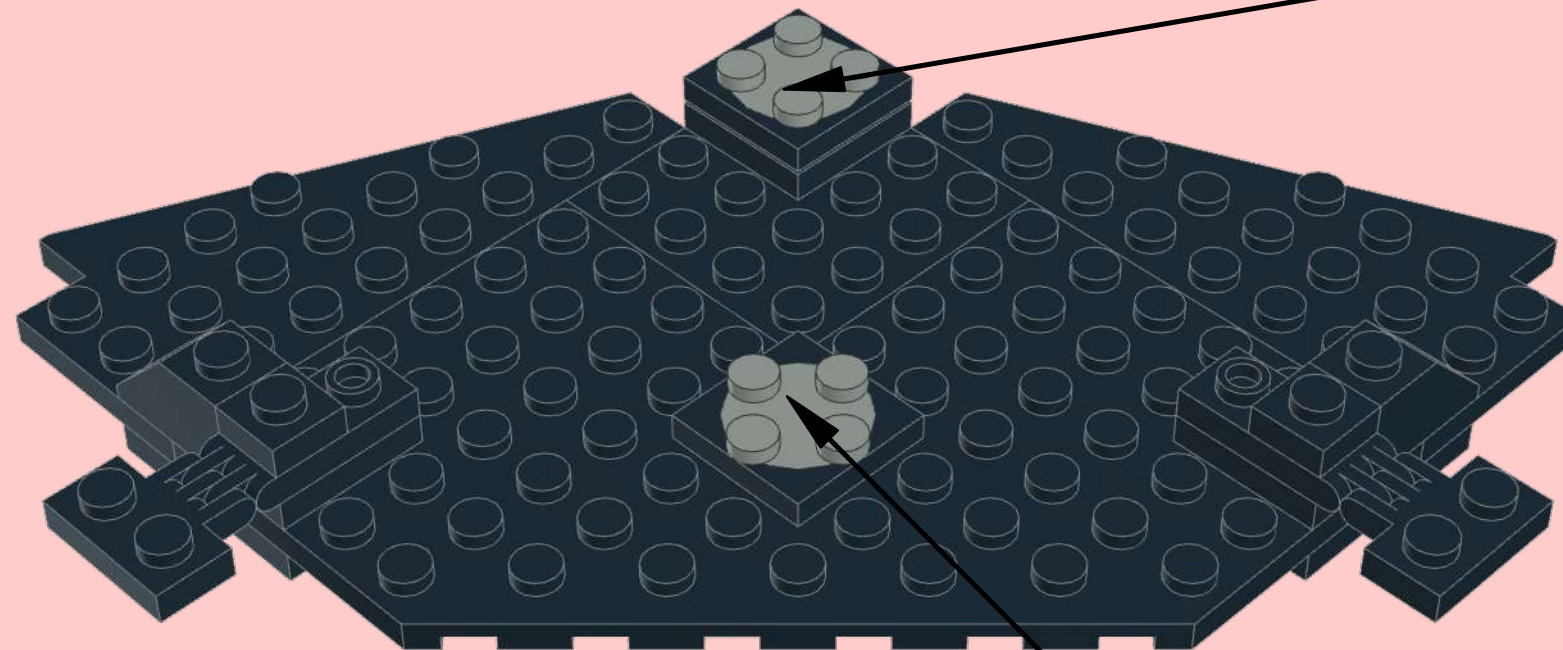
3

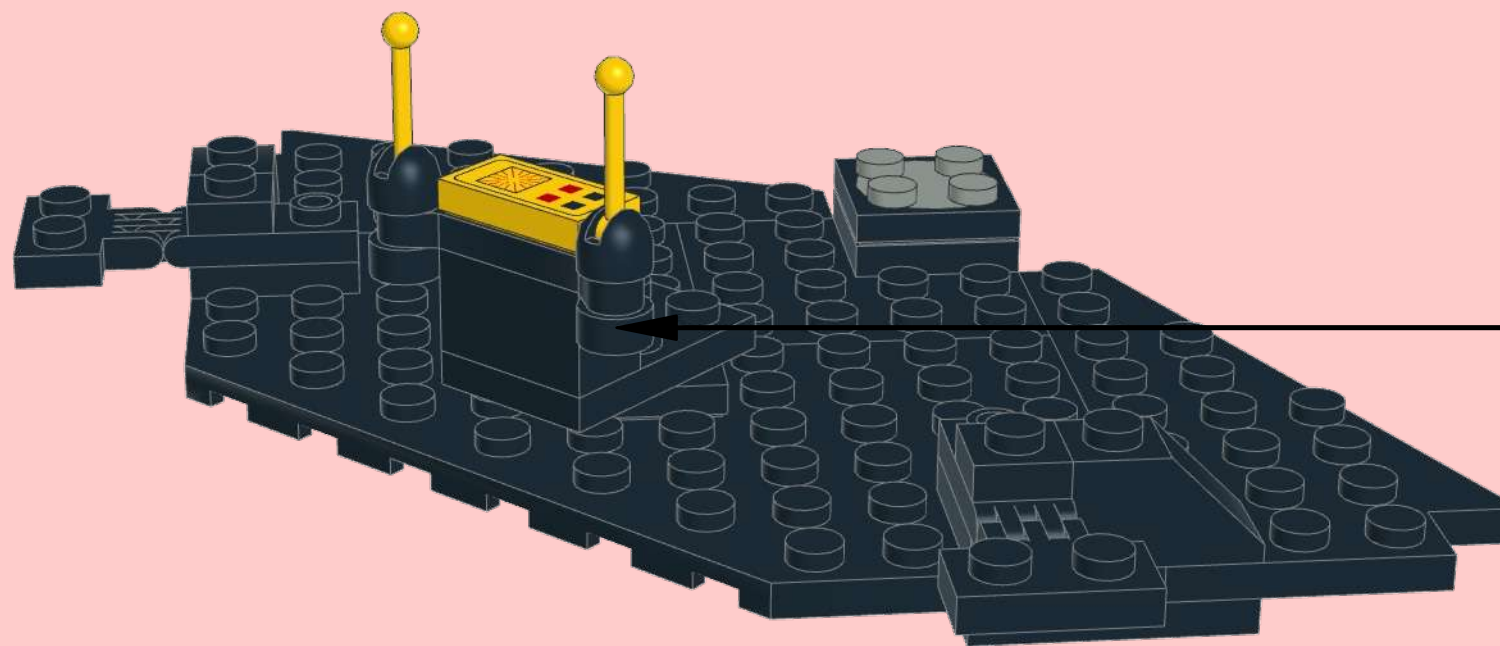


4



5 
2x





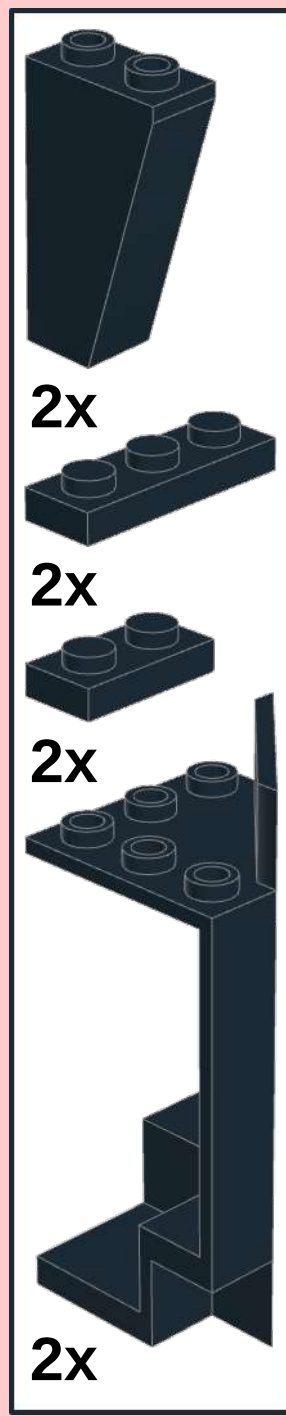
1

- 1x
- 1x
- 1x

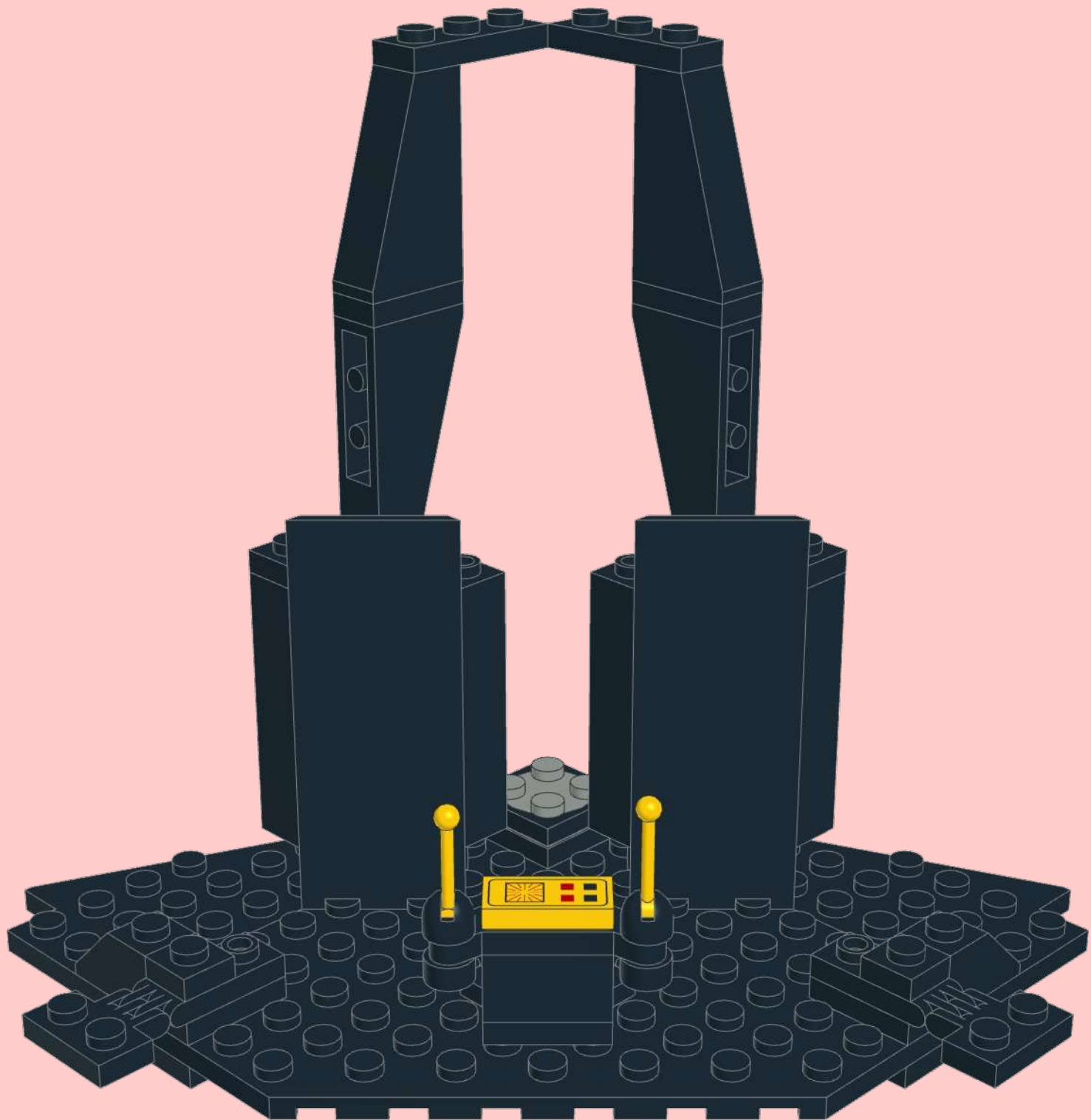
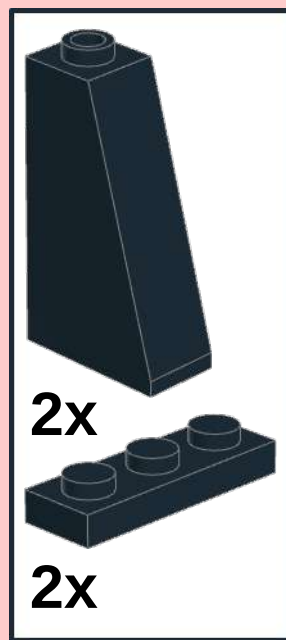
2

- 1x
- 2x
- 2x

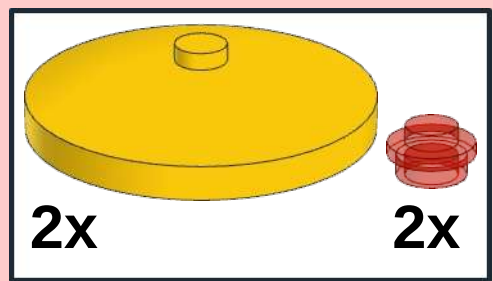
7



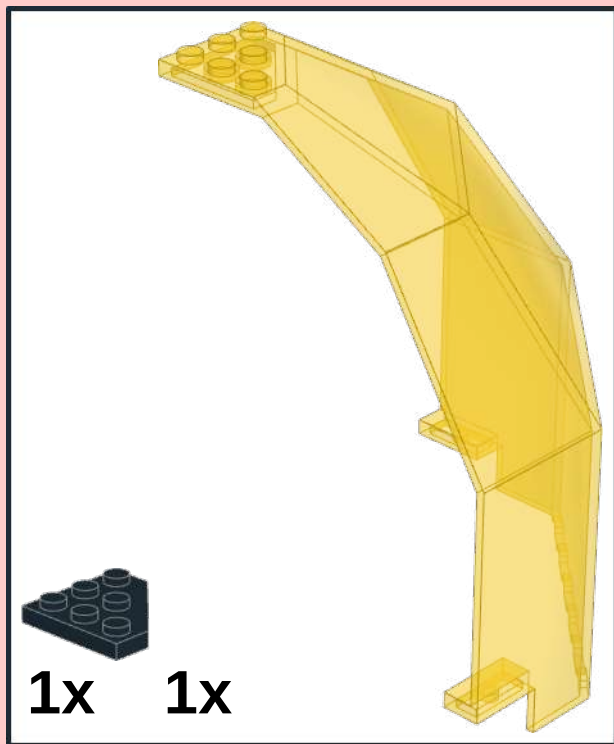
8



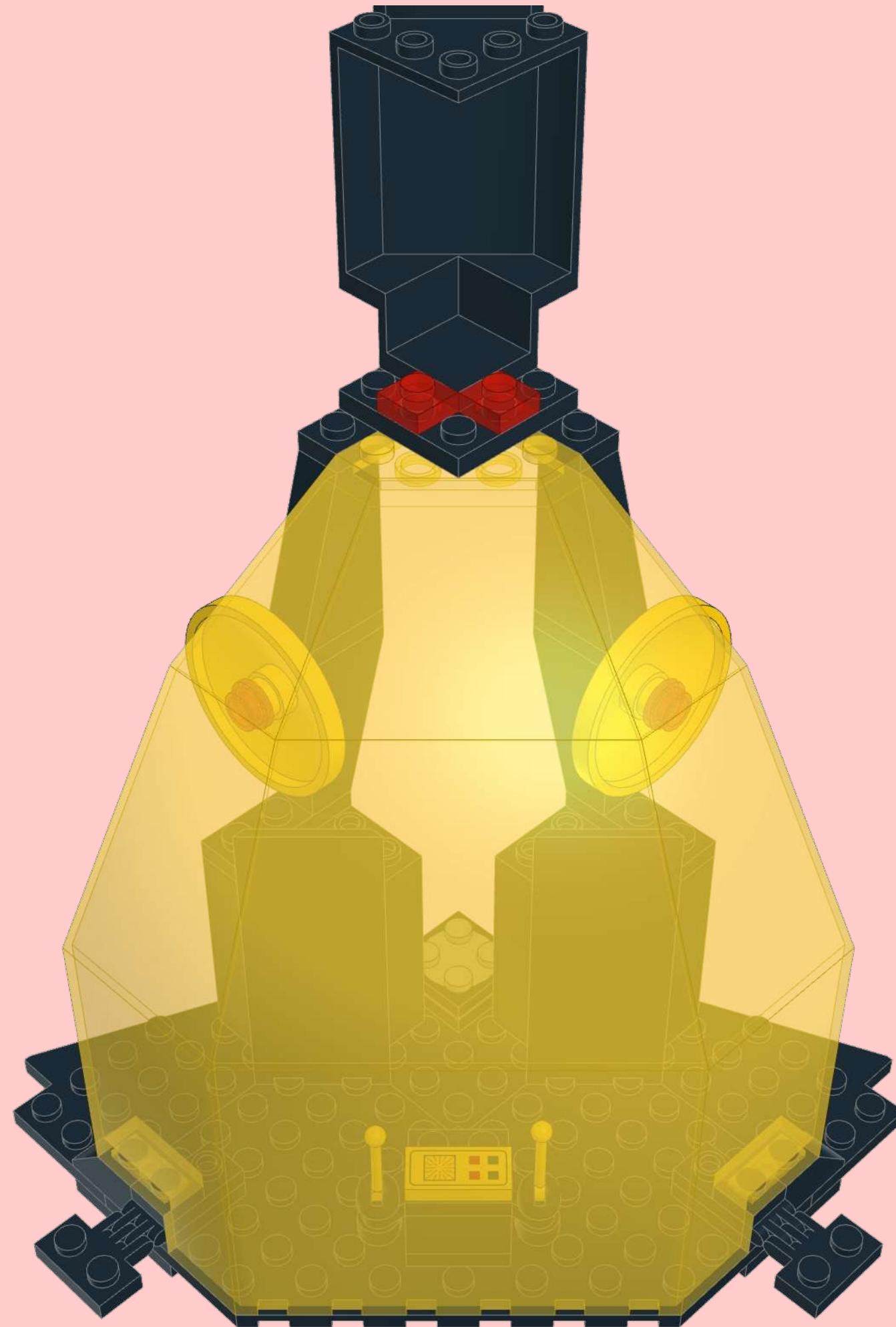
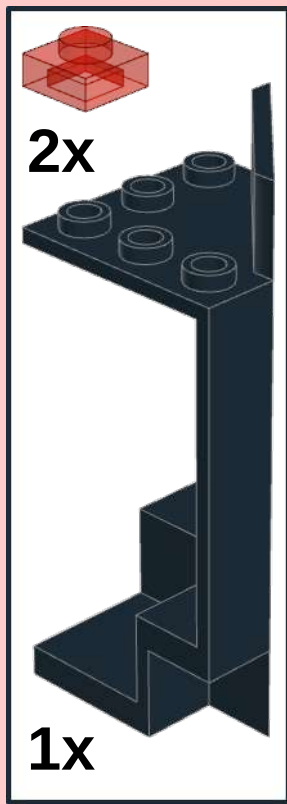
9



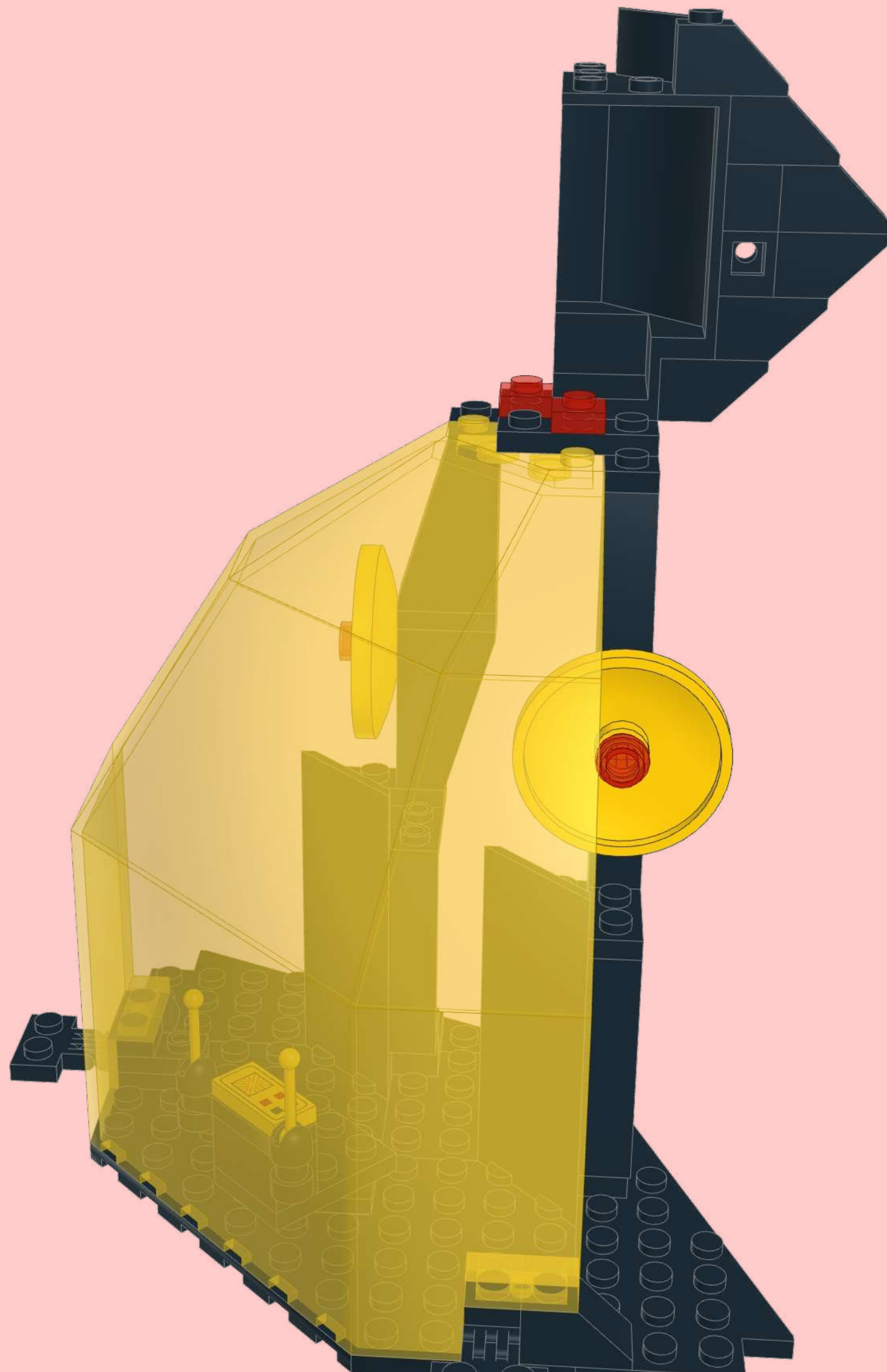
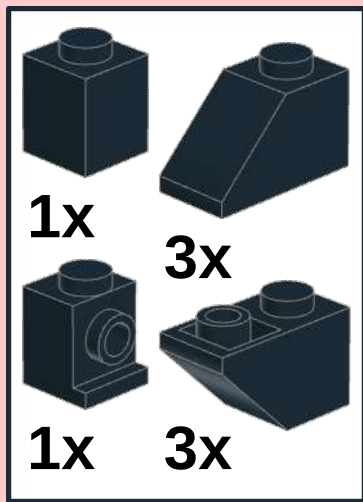
10



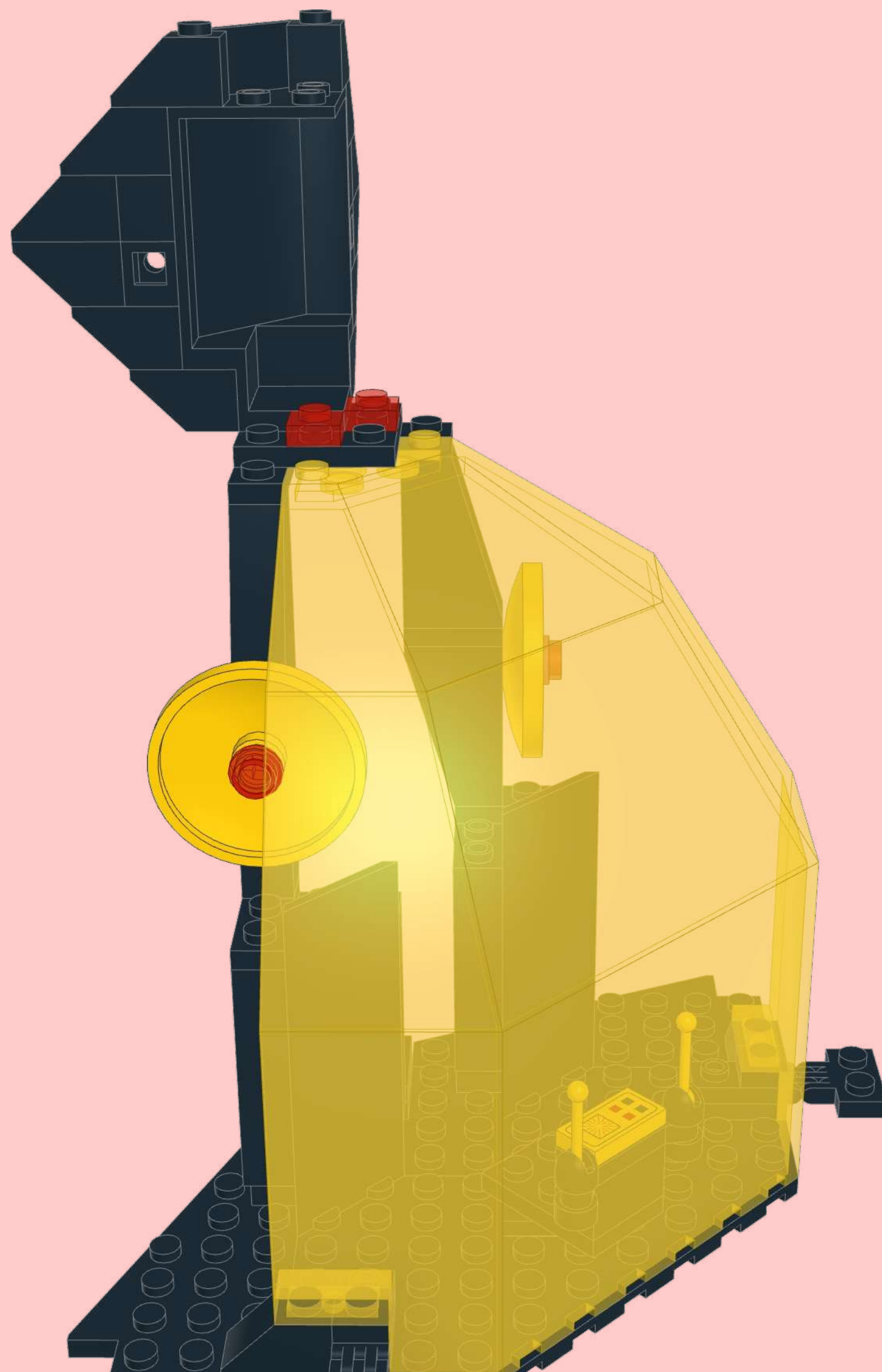
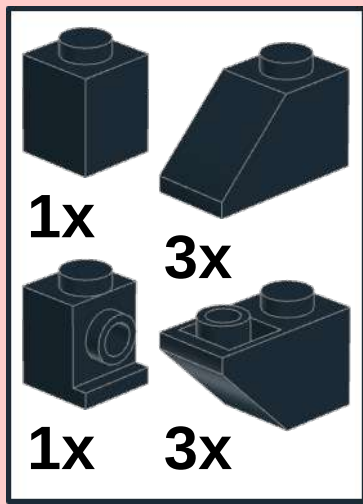
11



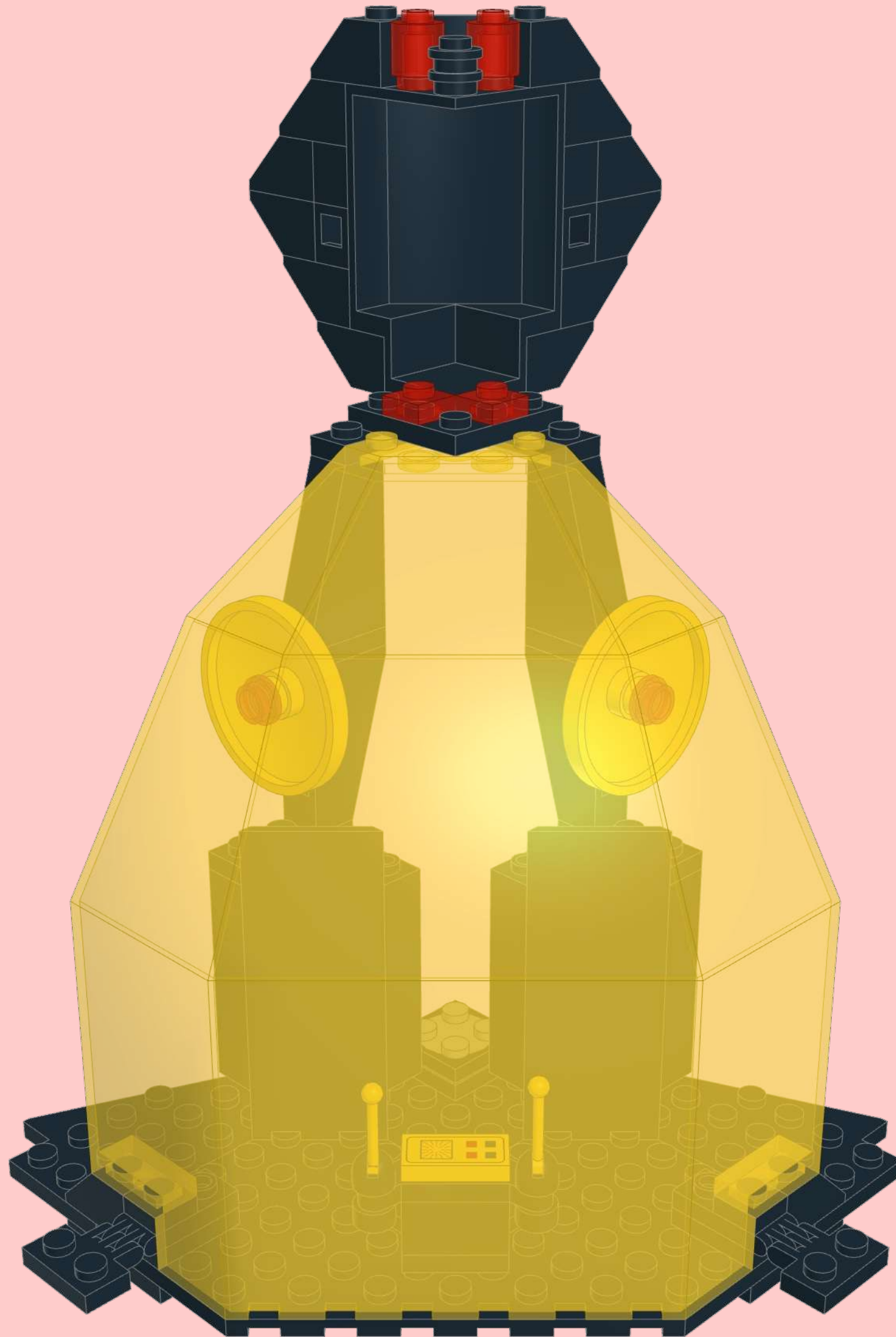
12



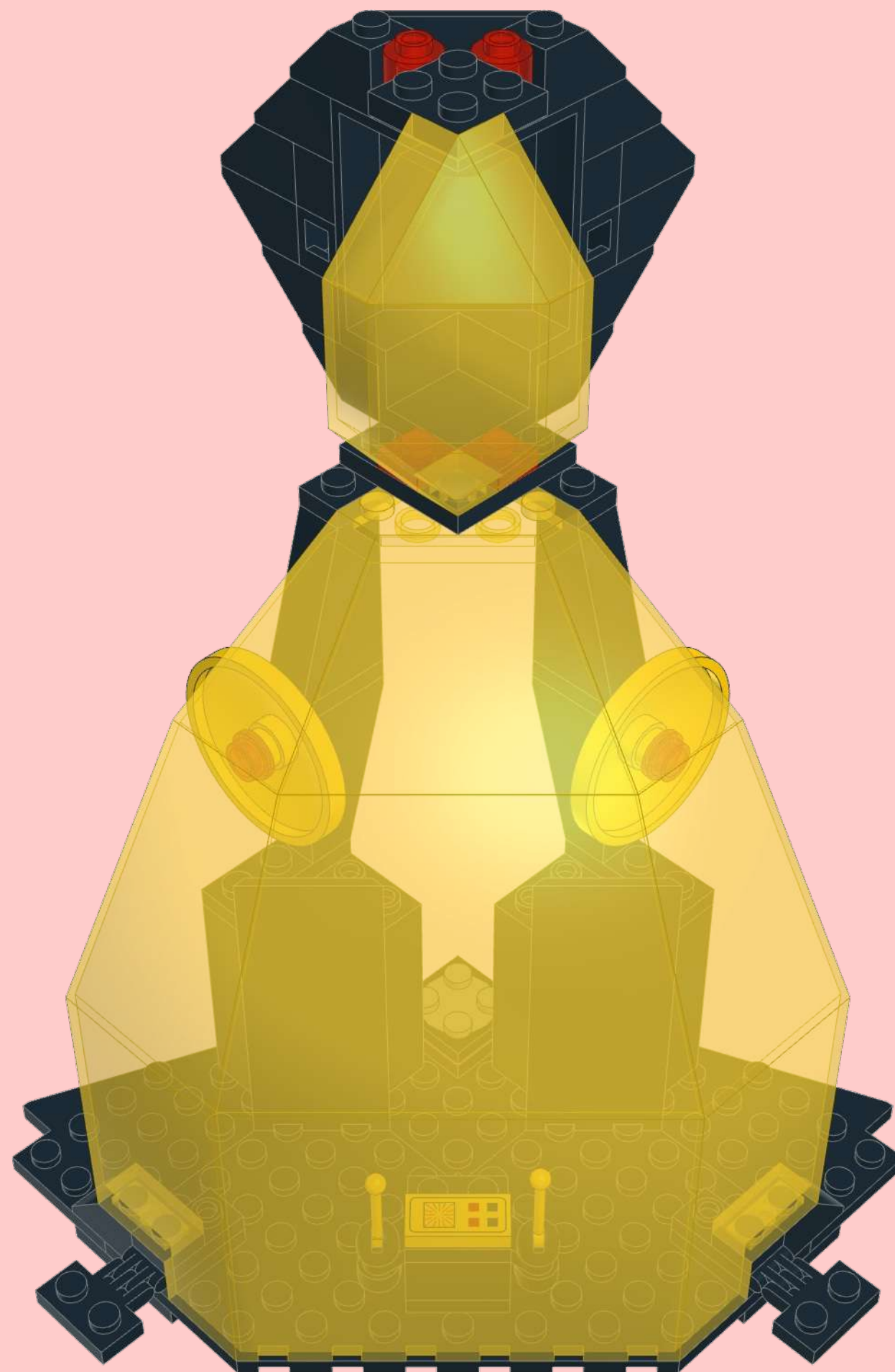
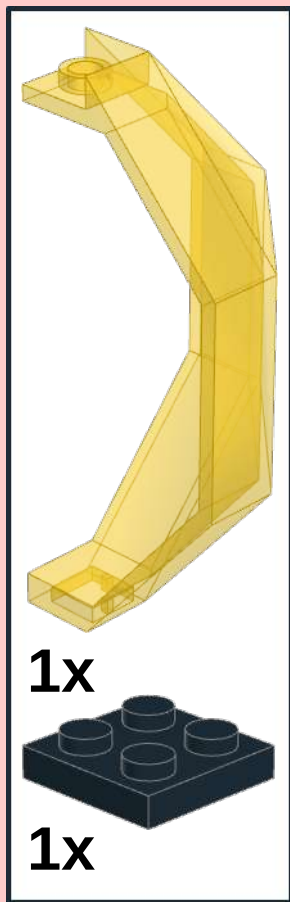
13



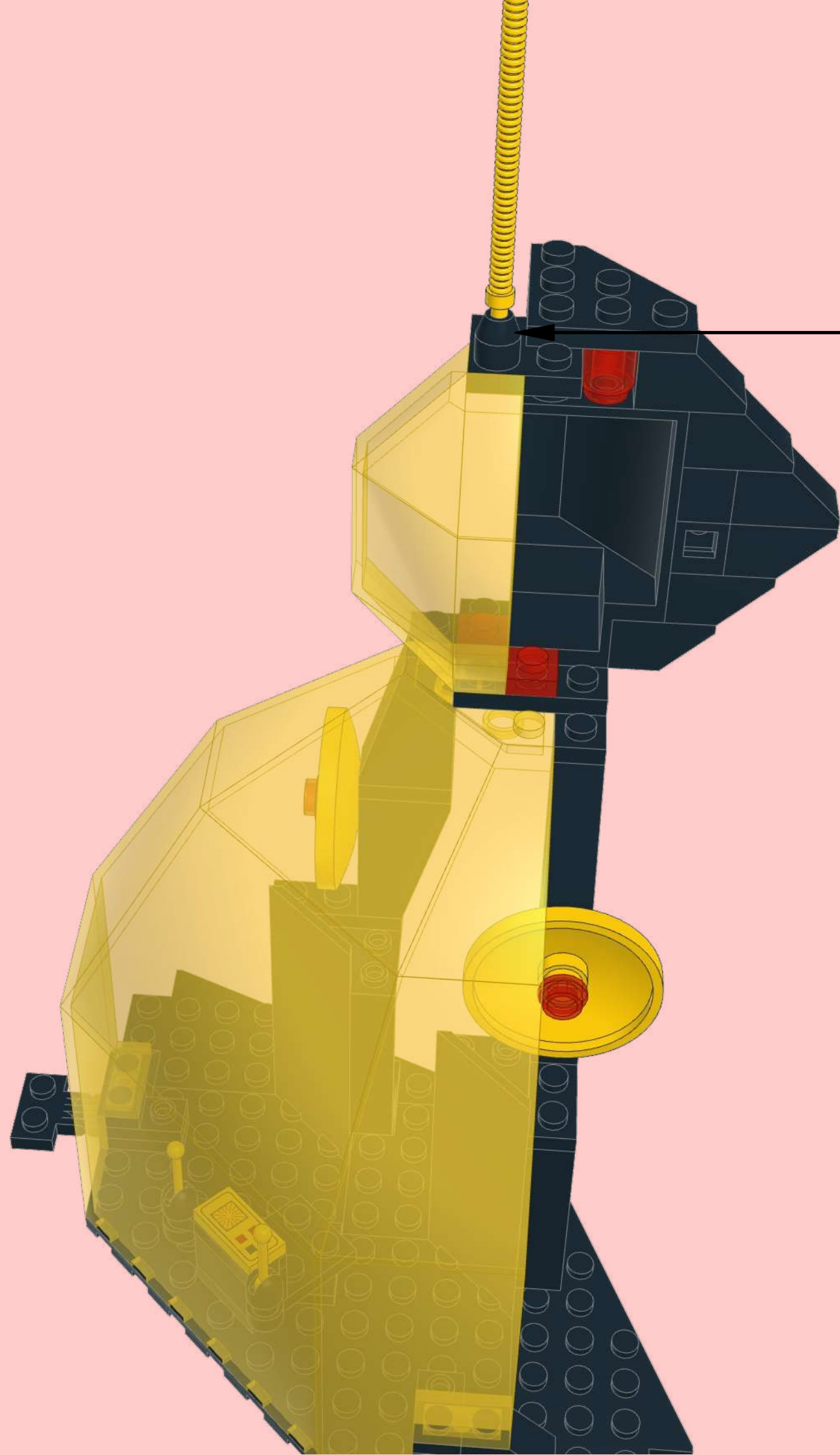
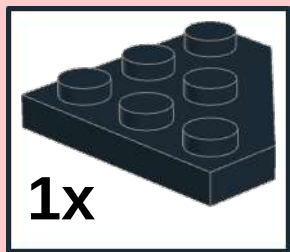
14





15





16



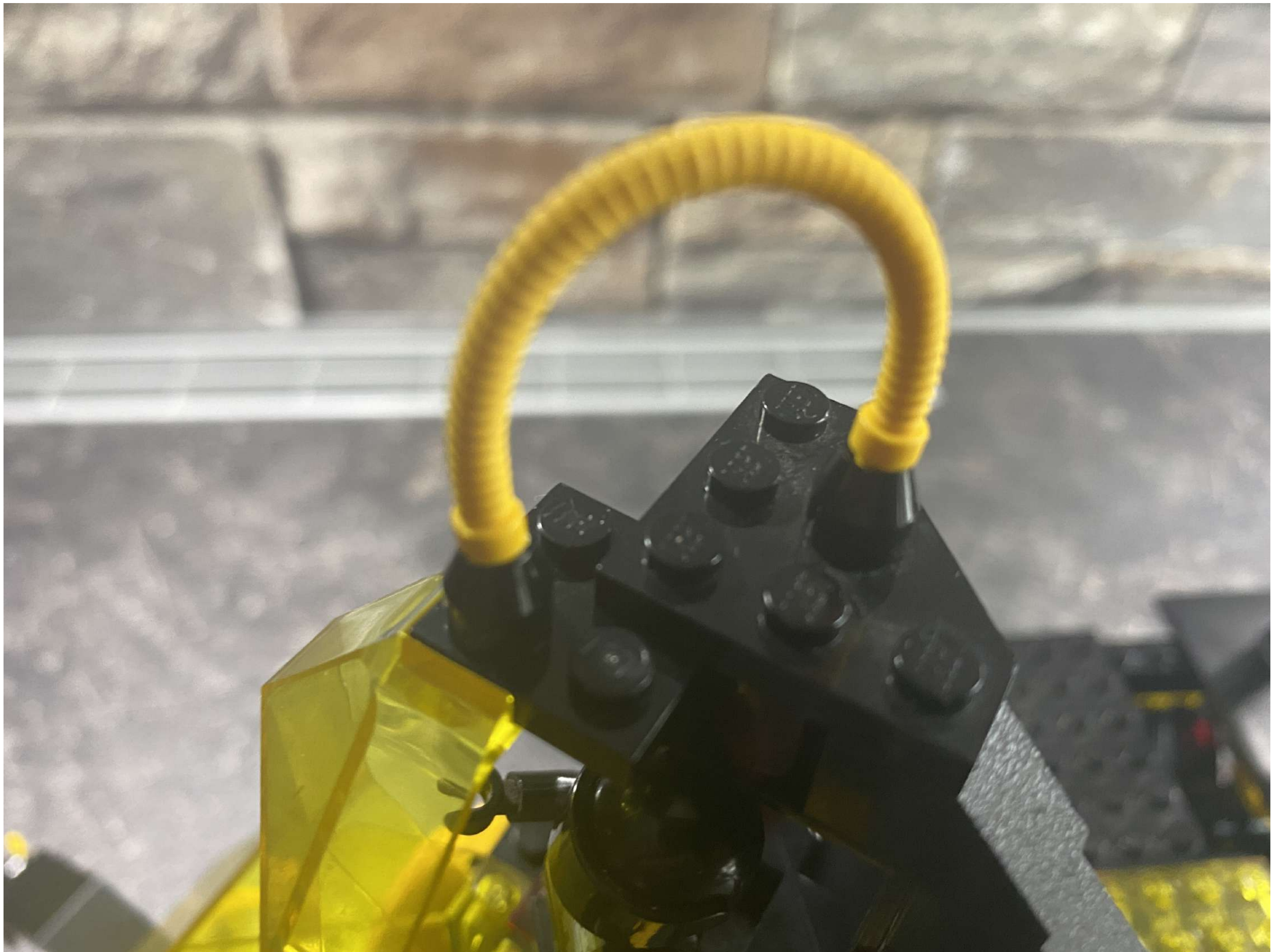
1  1x


2  1x



 1x






1x 1x







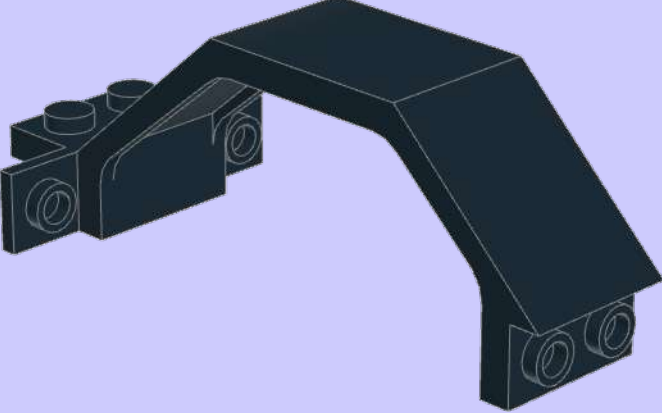
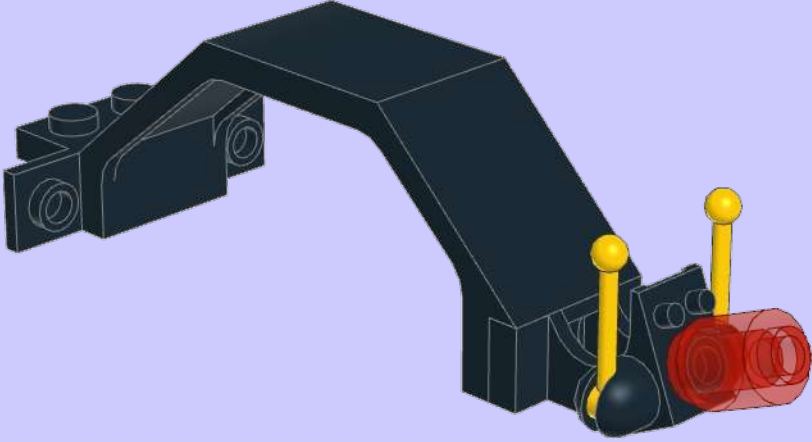
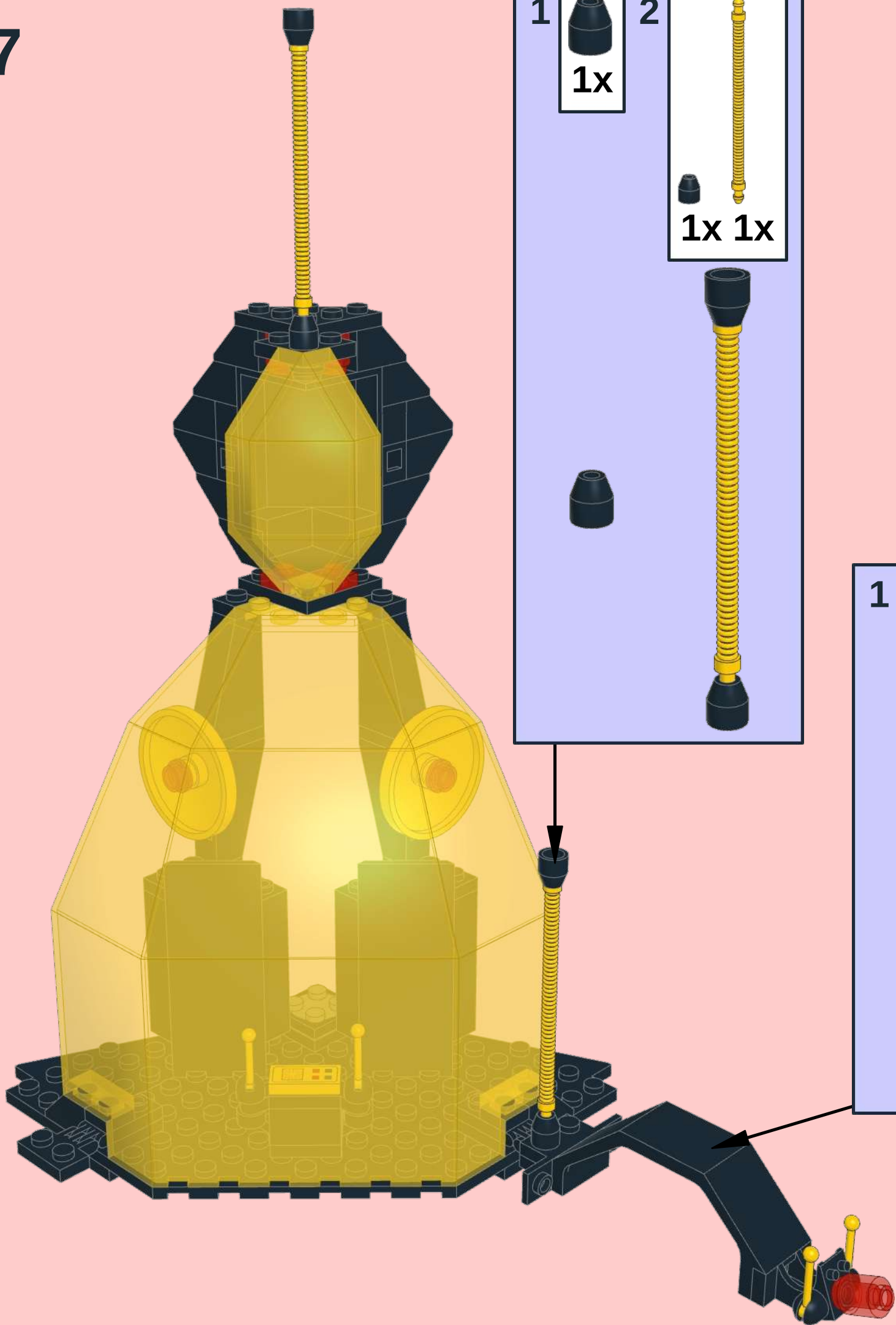
1  1x

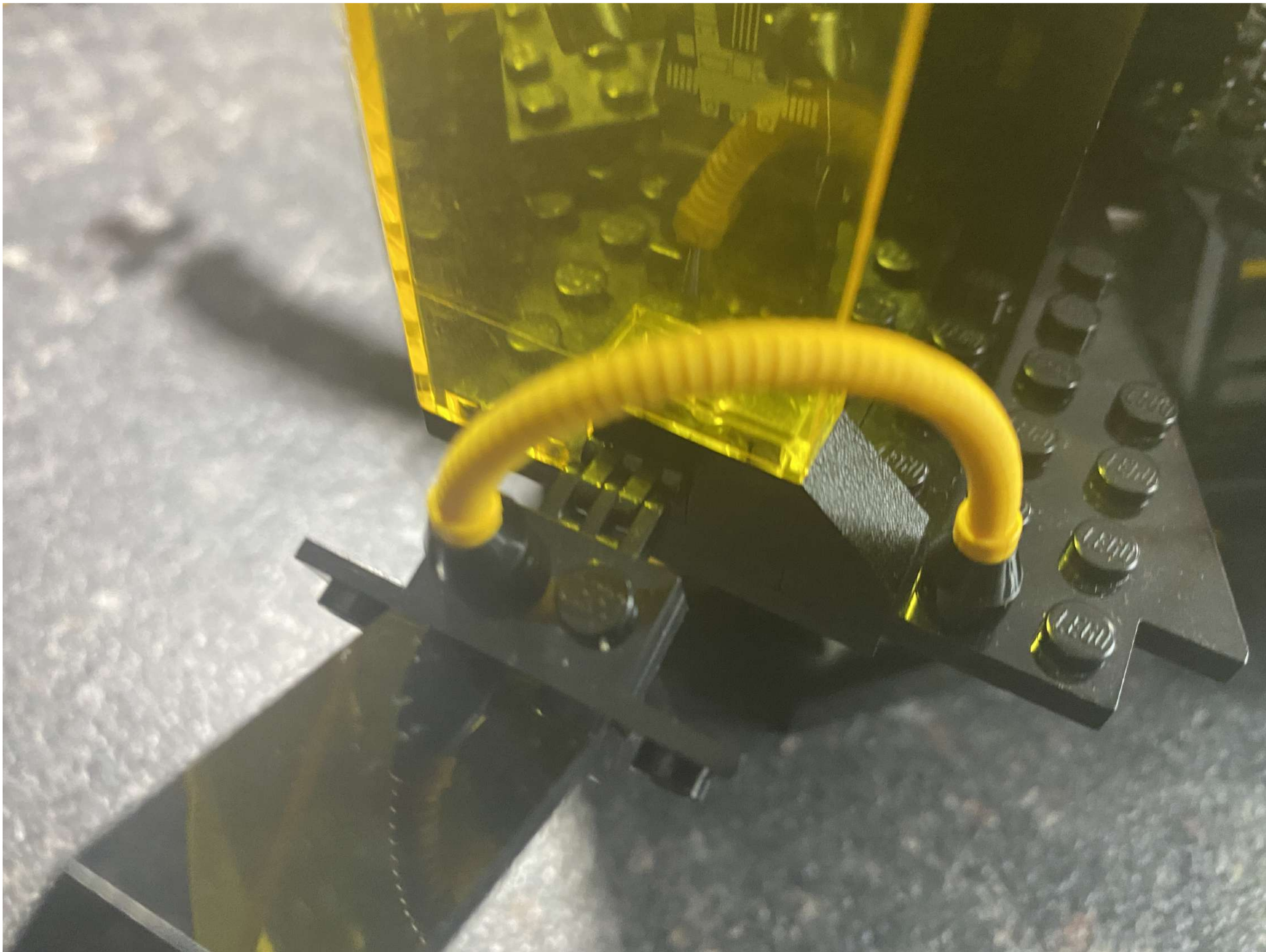
2   1x 1x






1  1x  1x

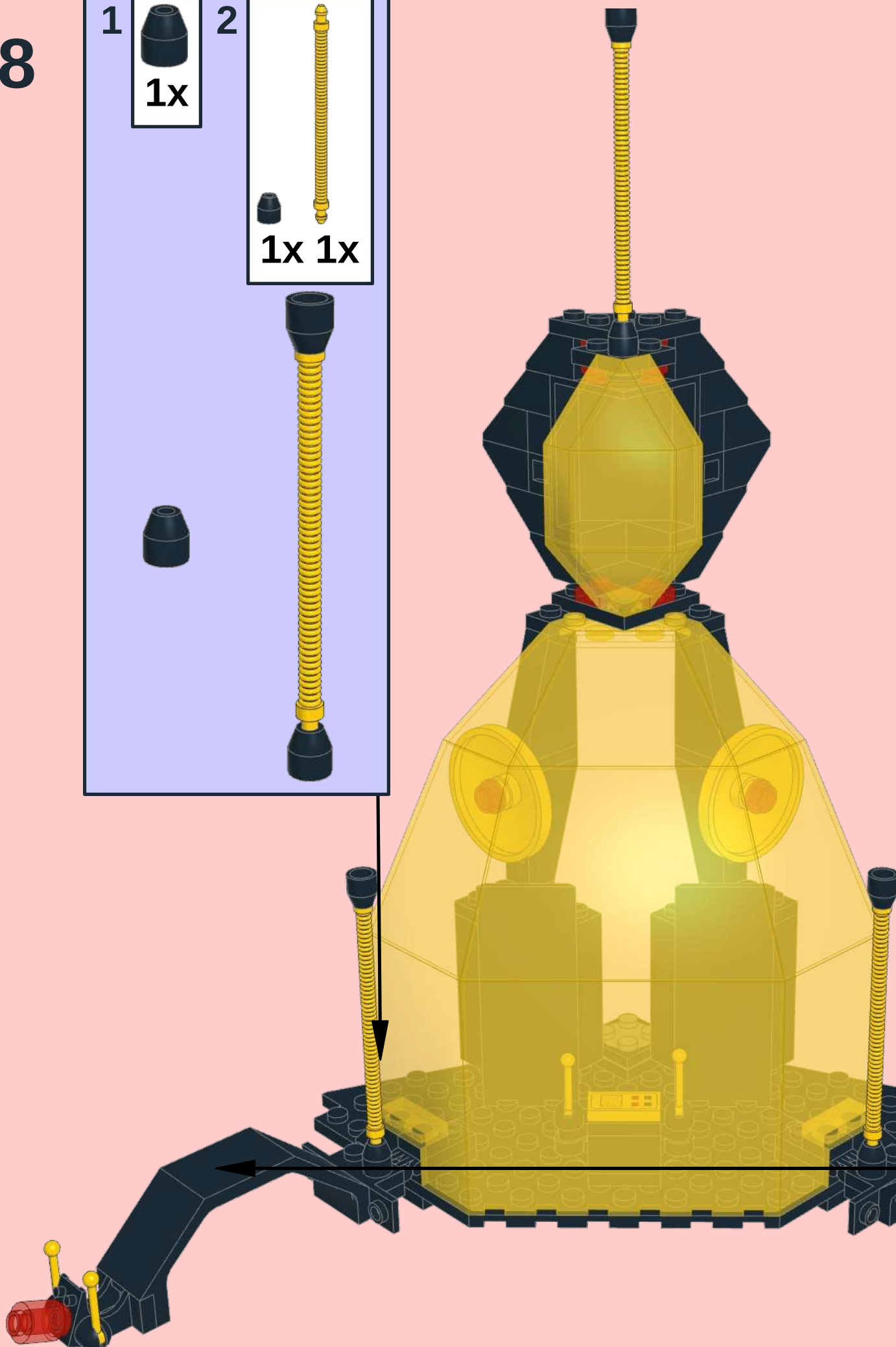

2  1x  2x  2x  1x













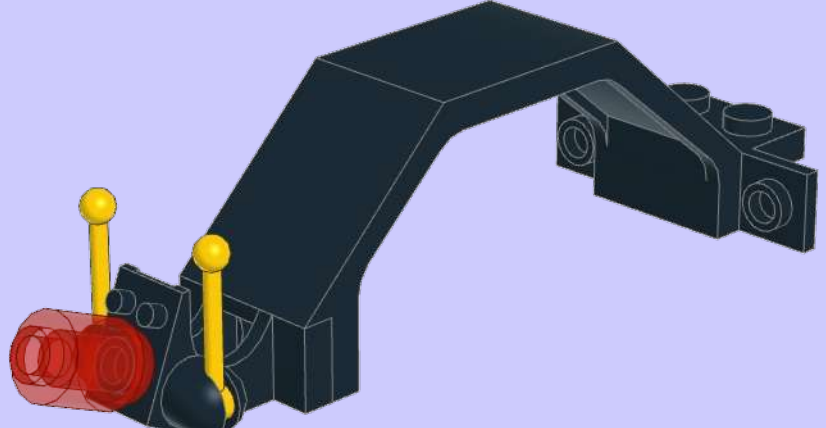
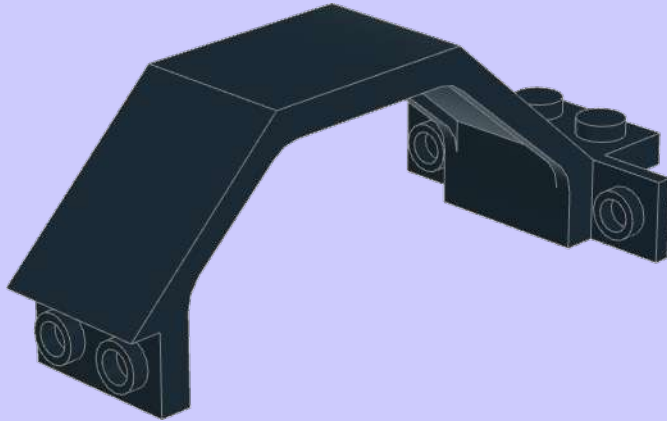
1  1x

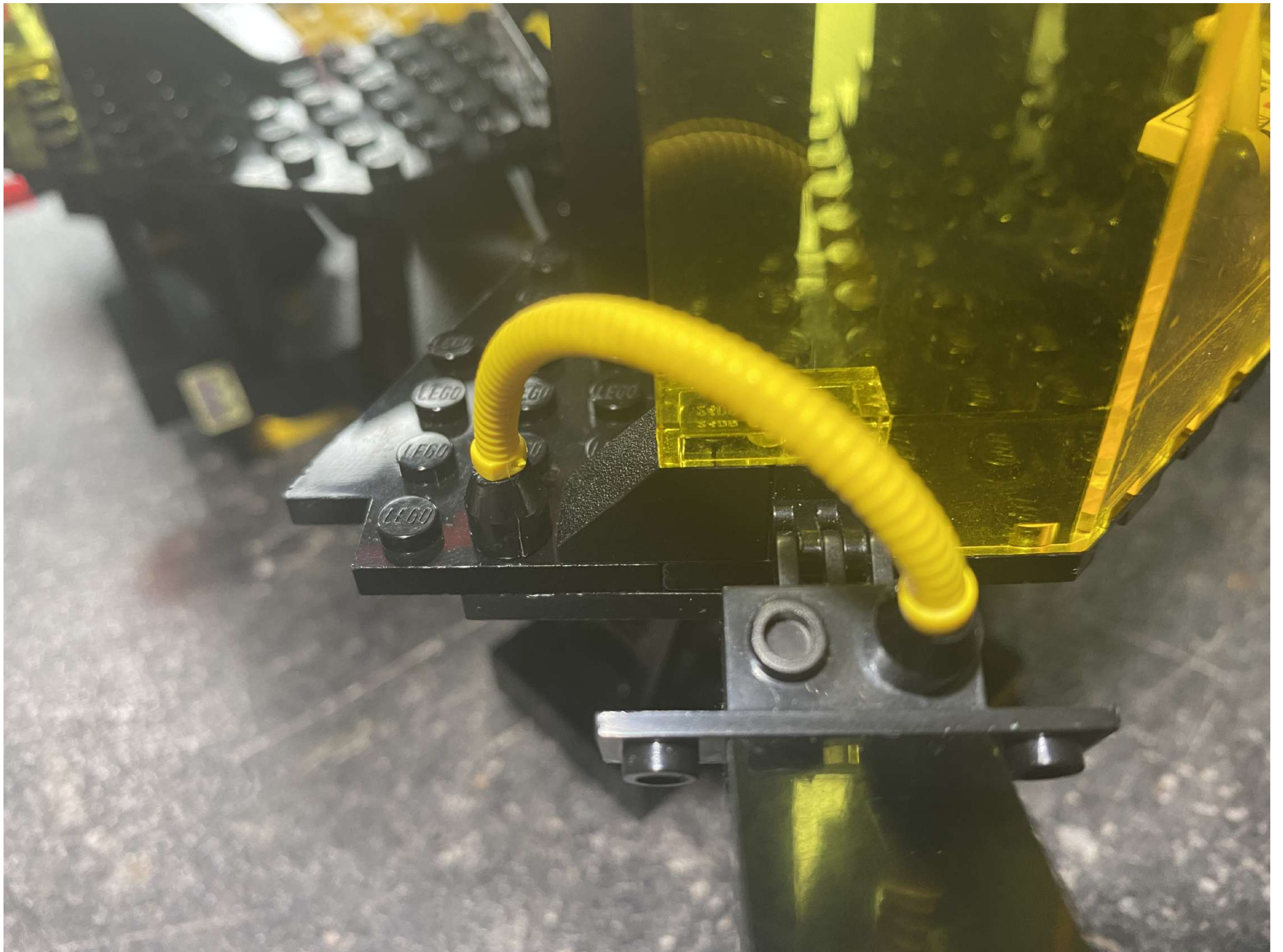
2   1x 1x

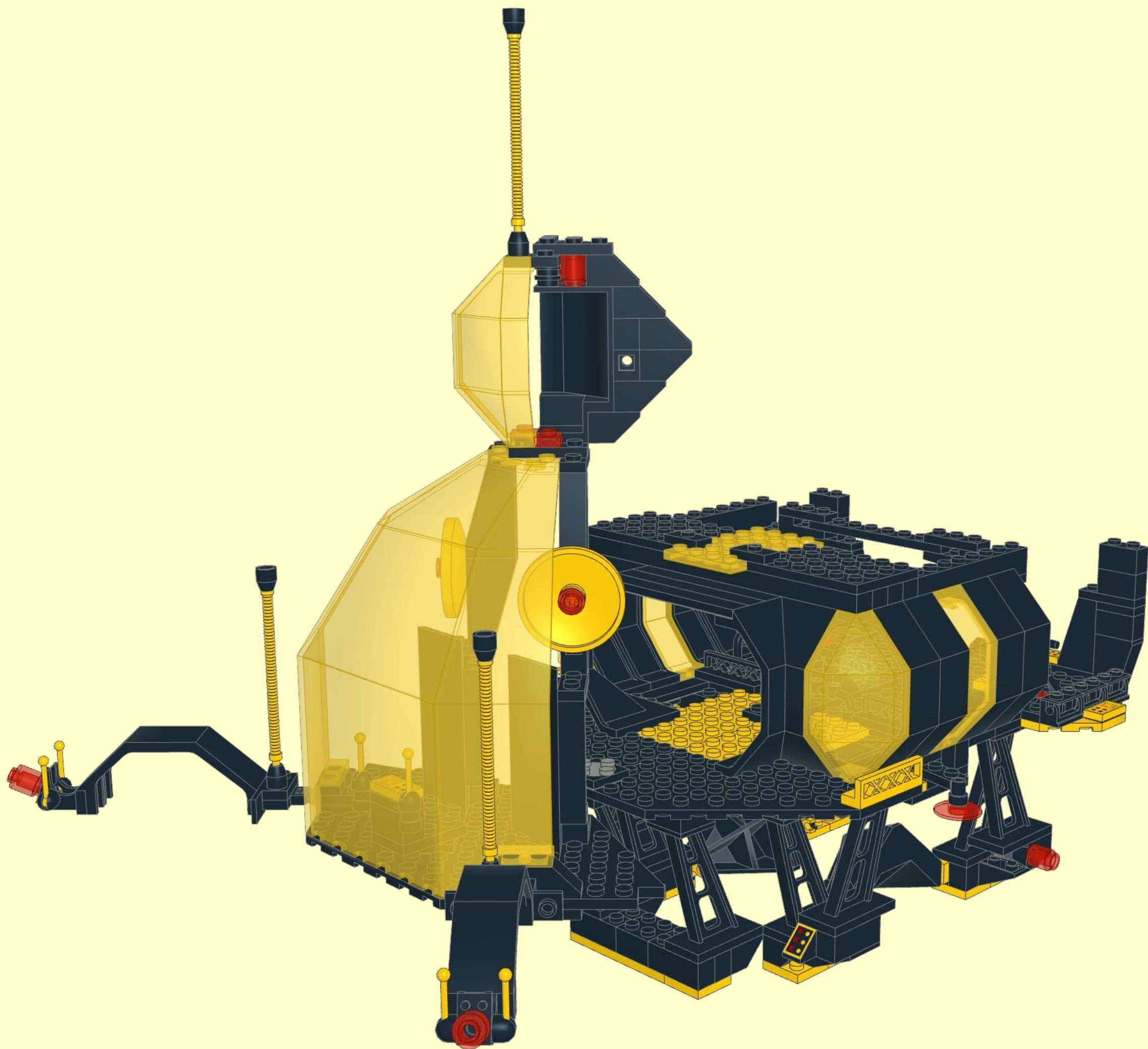


1  1x  1x

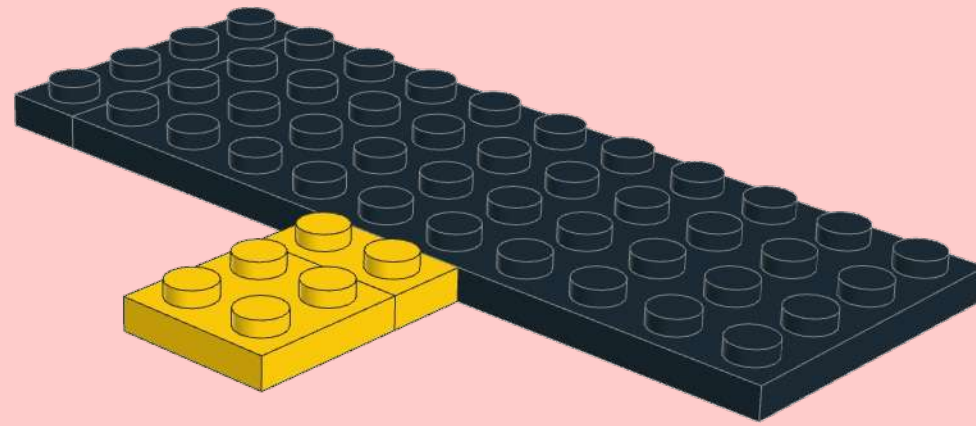
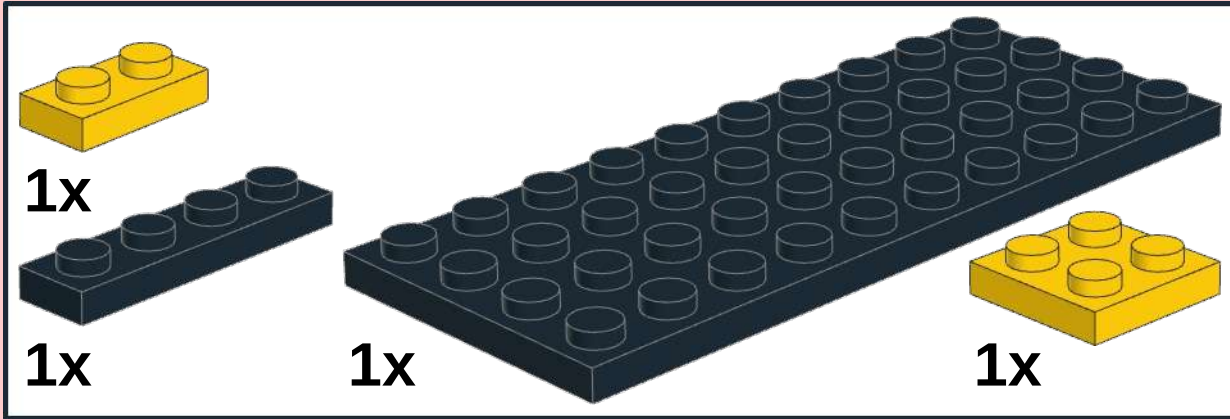
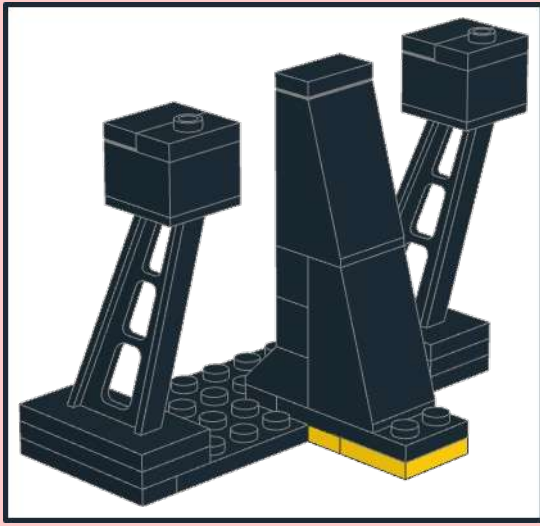
2  1x  2x  2x  1x



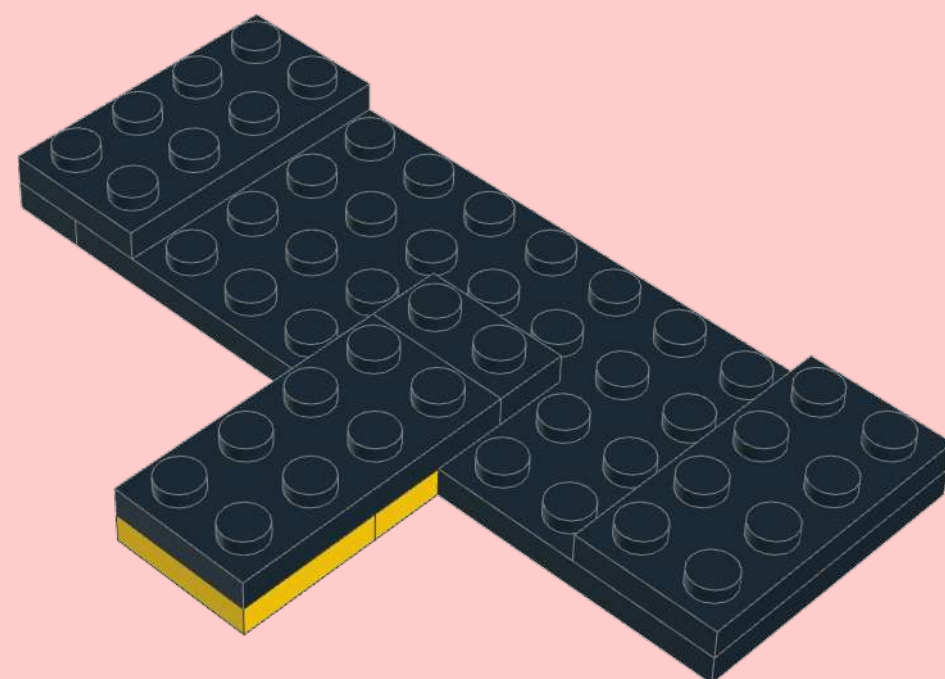
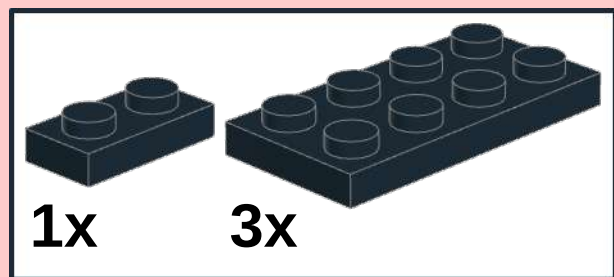




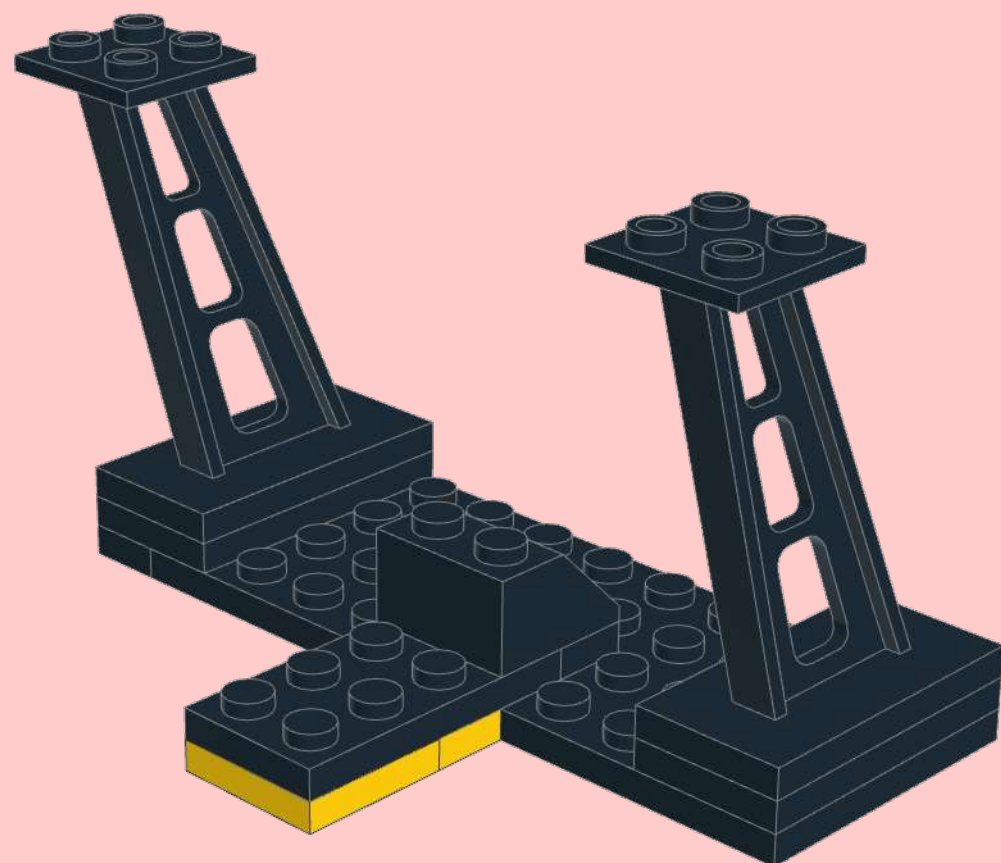
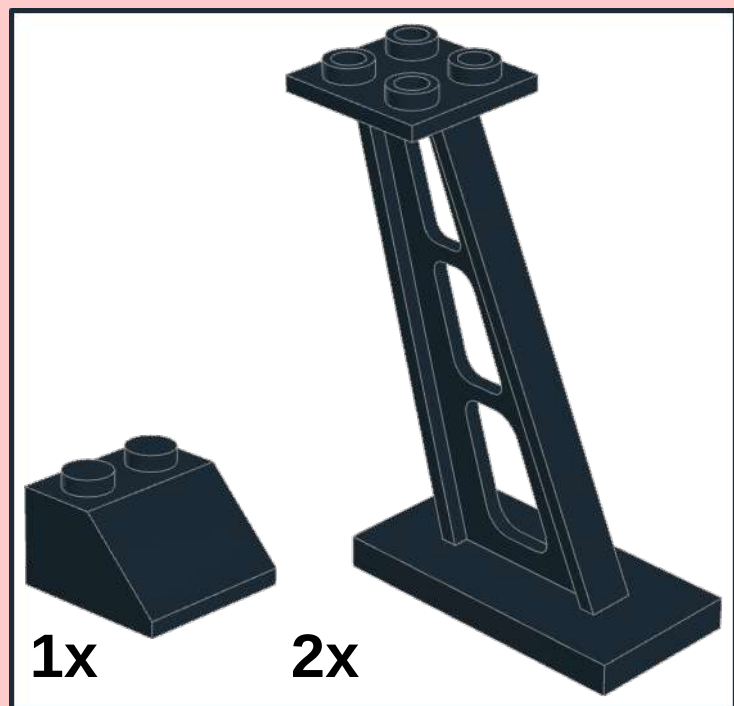
1



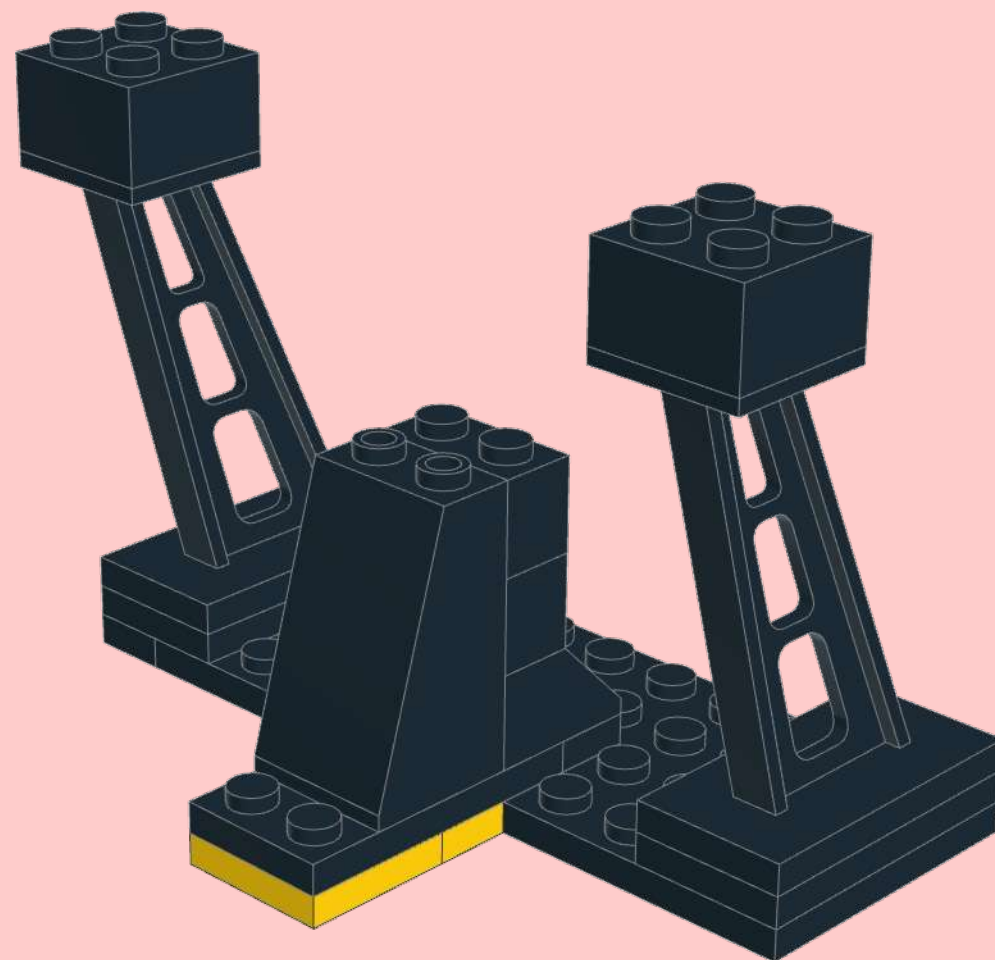
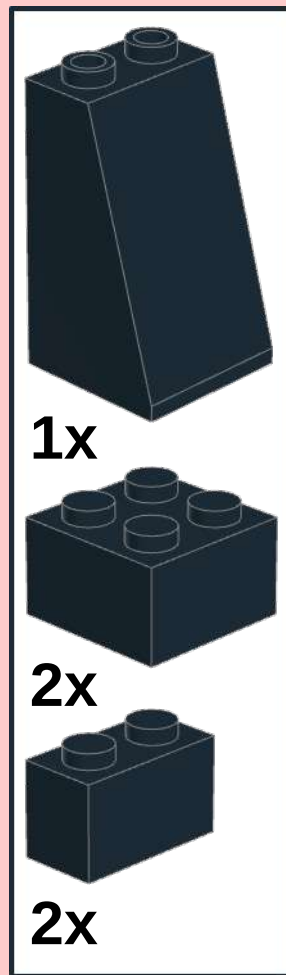
2



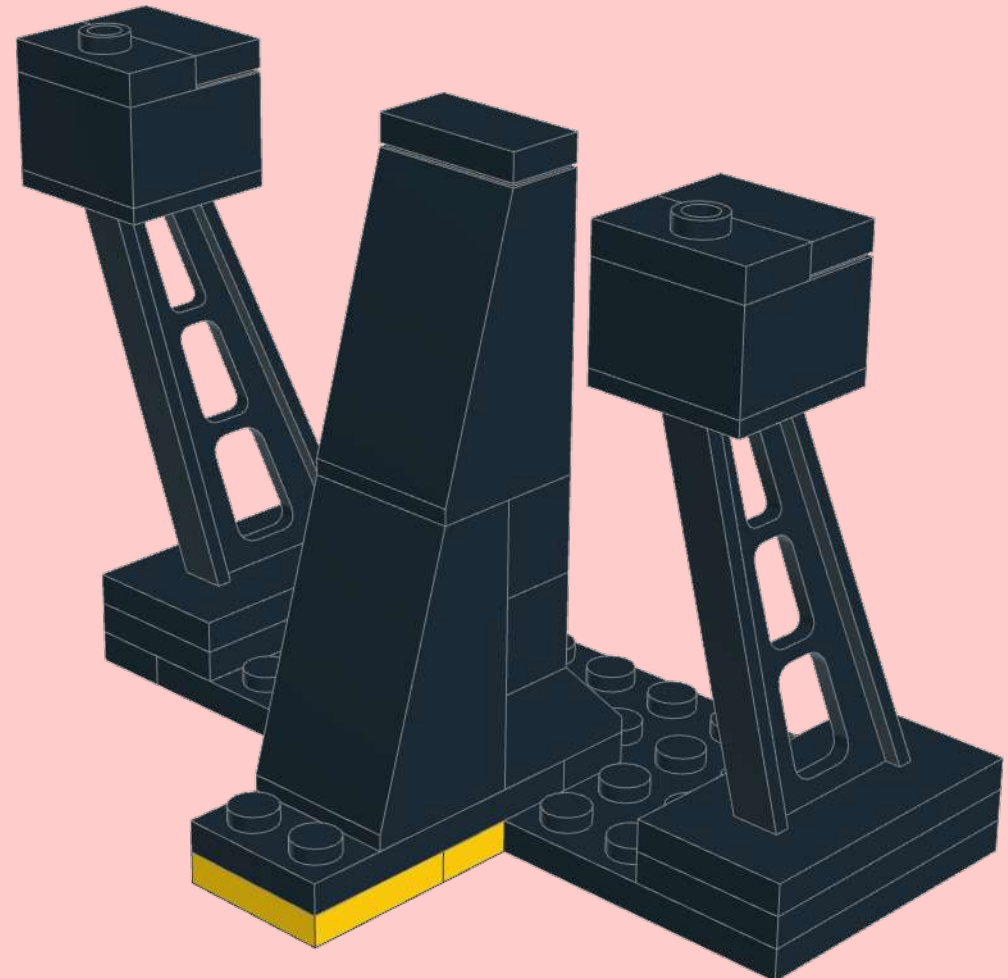
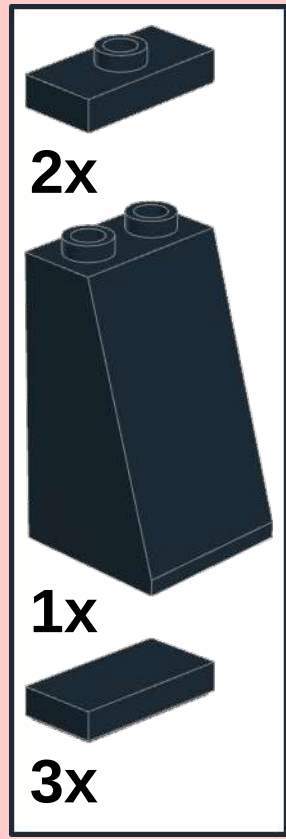
3



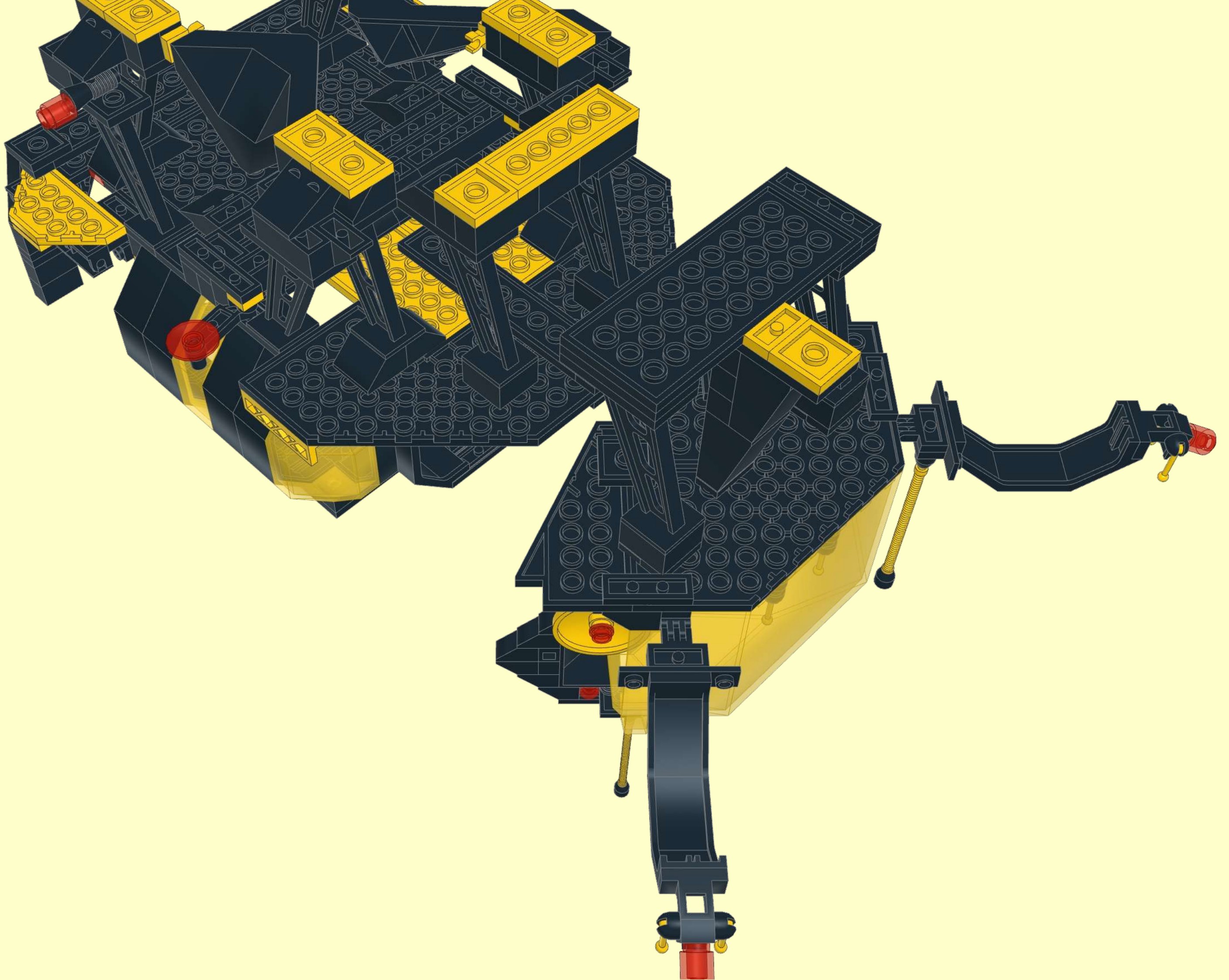
4



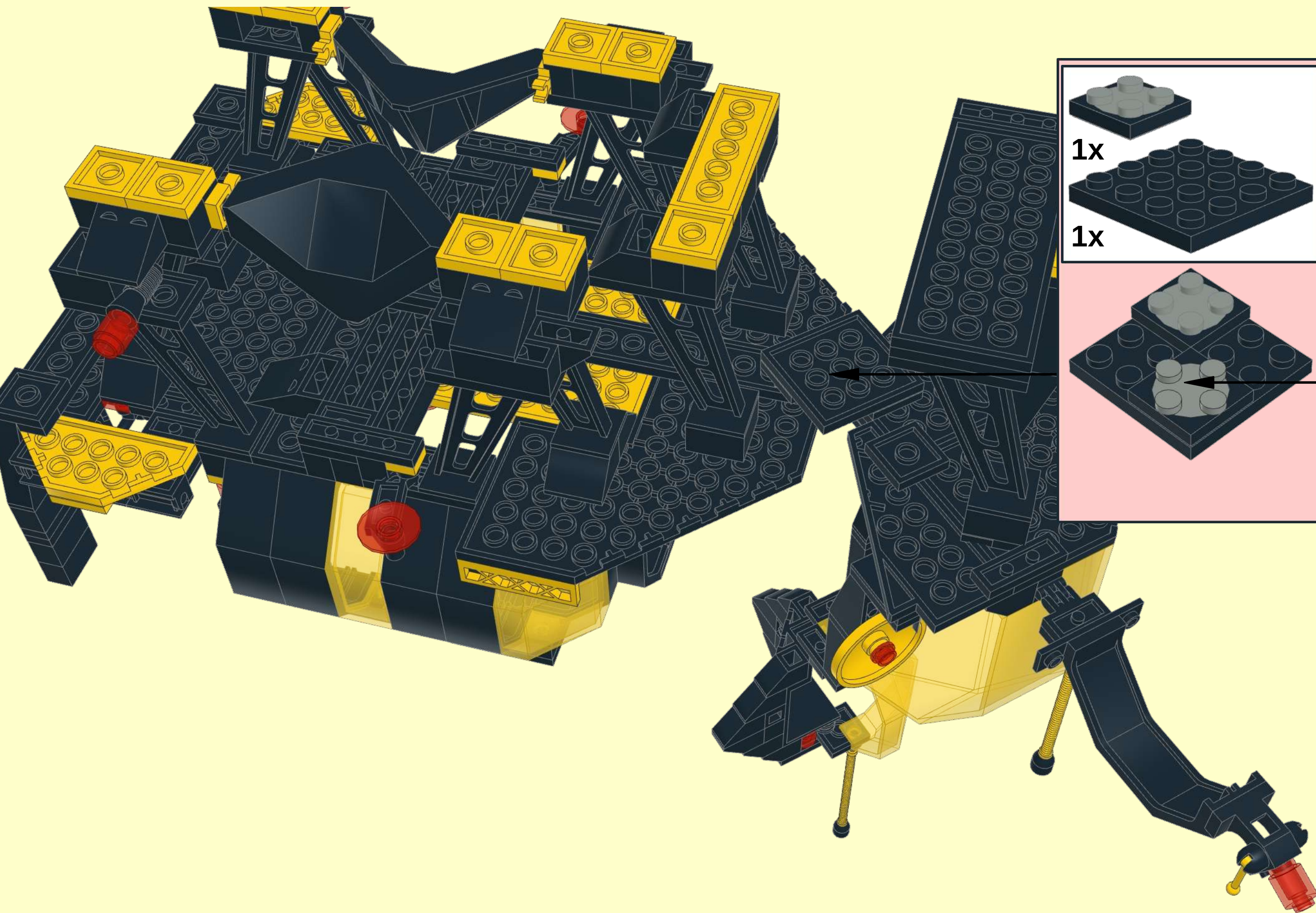
5



3



4



1x

1x

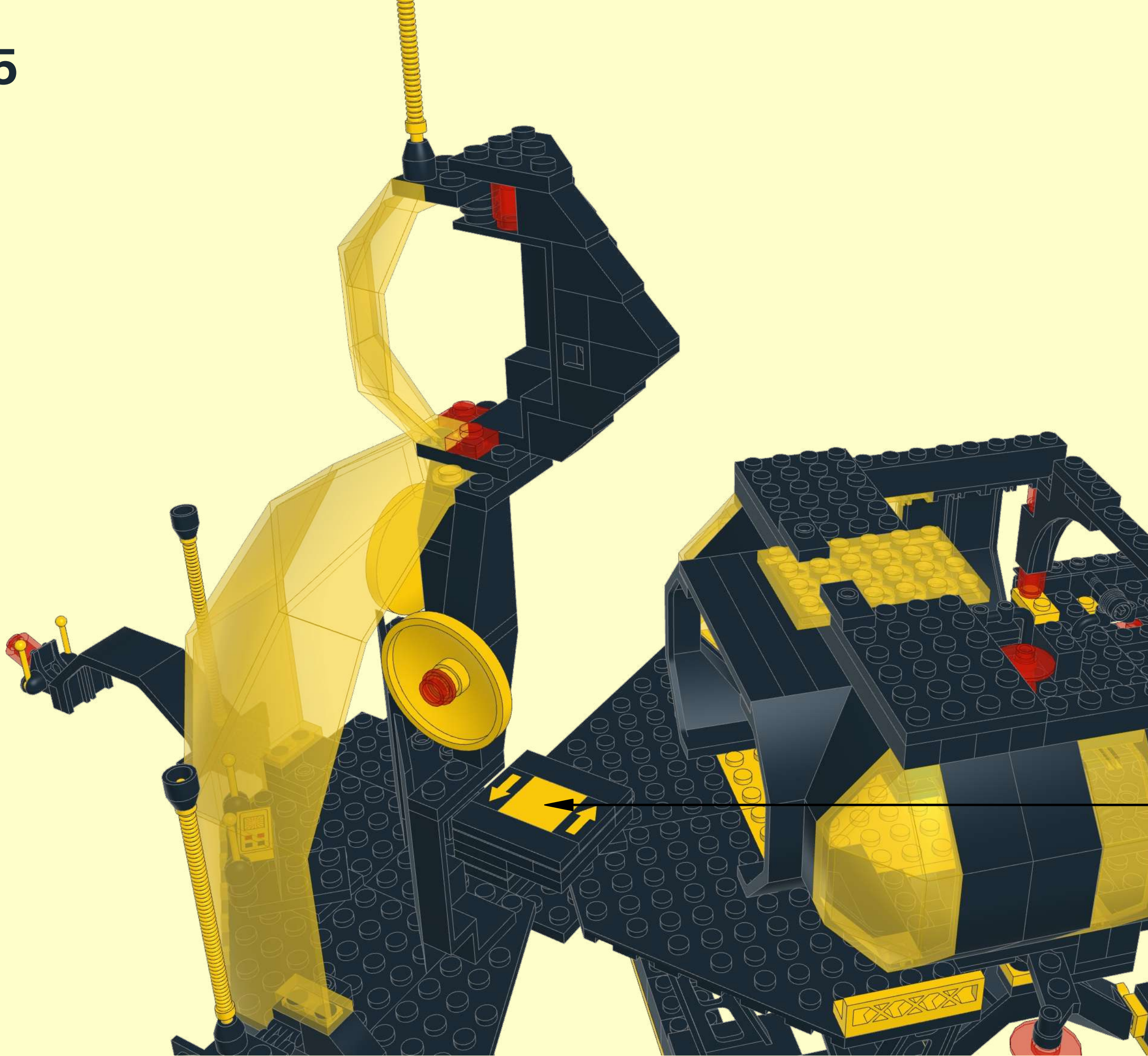
1x


1x


1x


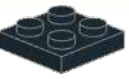
The sub-assembly diagram is divided into two sections. The top section has a pink background and shows a 1x4 dark grey Technic plate with four grey Technic pins in the center, labeled '1x'. Below it is another 1x4 dark grey Technic plate with four grey Technic pins in the center, also labeled '1x'. The bottom section has a light blue background and shows a 1x4 dark grey Technic plate with a grey Technic pin in the center, labeled '1x'. To its right is another 1x4 dark grey Technic plate with four grey Technic pins in the center, labeled '1x'. A black arrow points from the main assembly diagram to the sub-assembly diagram.

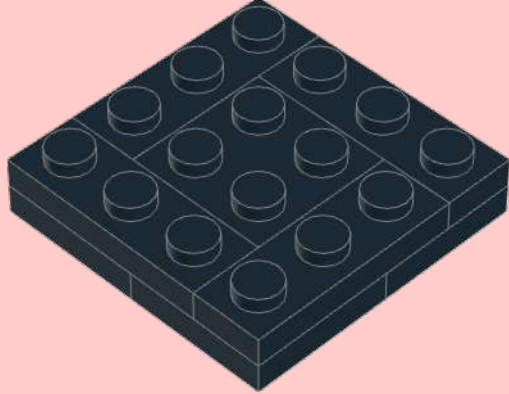
5







1  4x



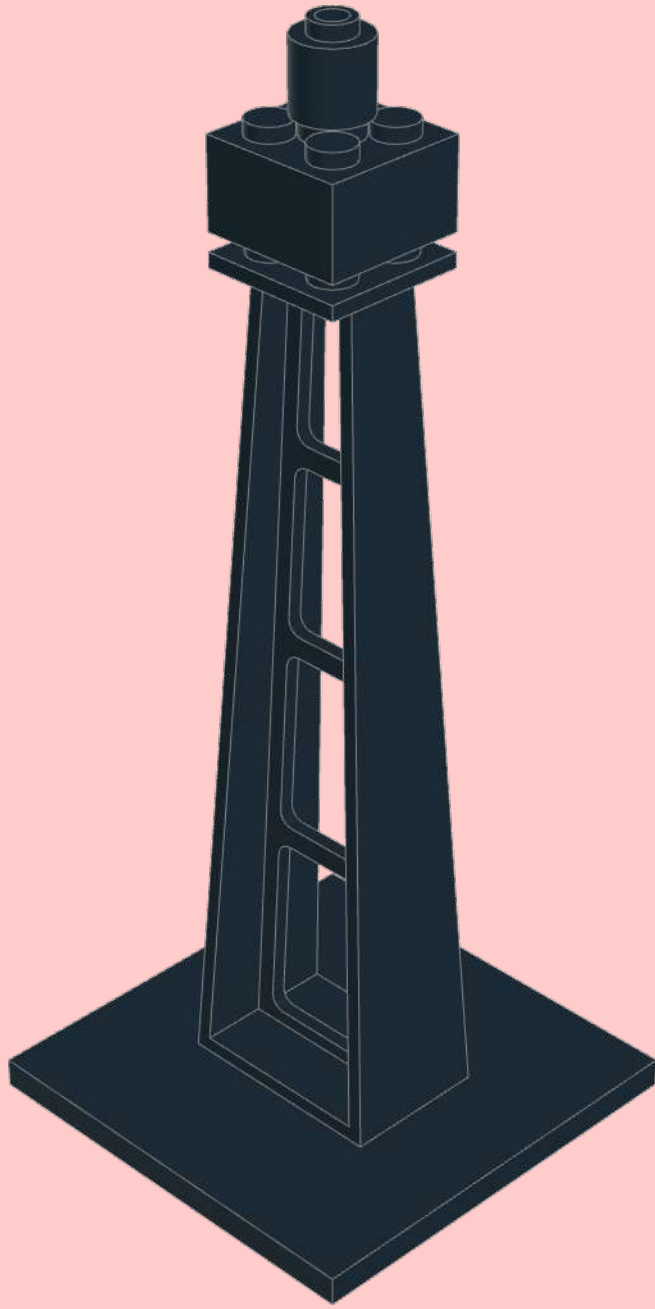
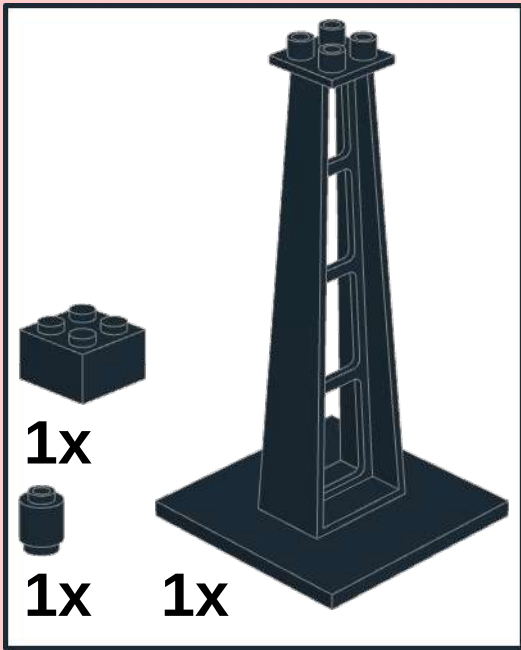
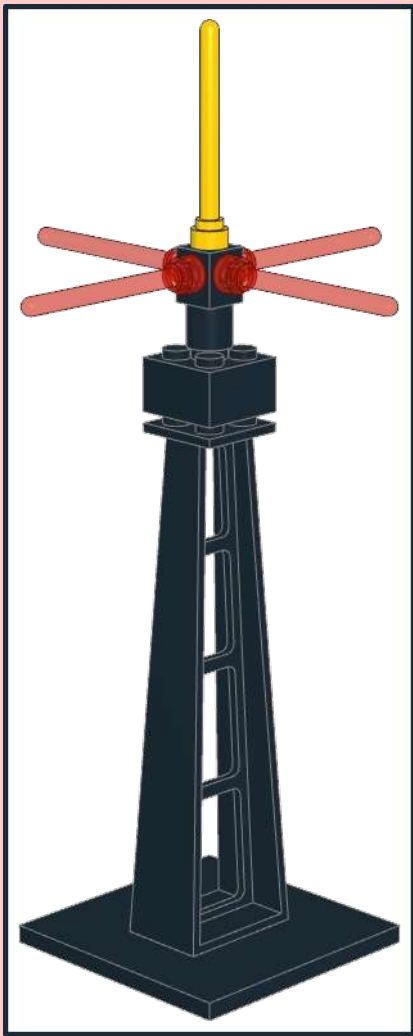
2  4x  1x



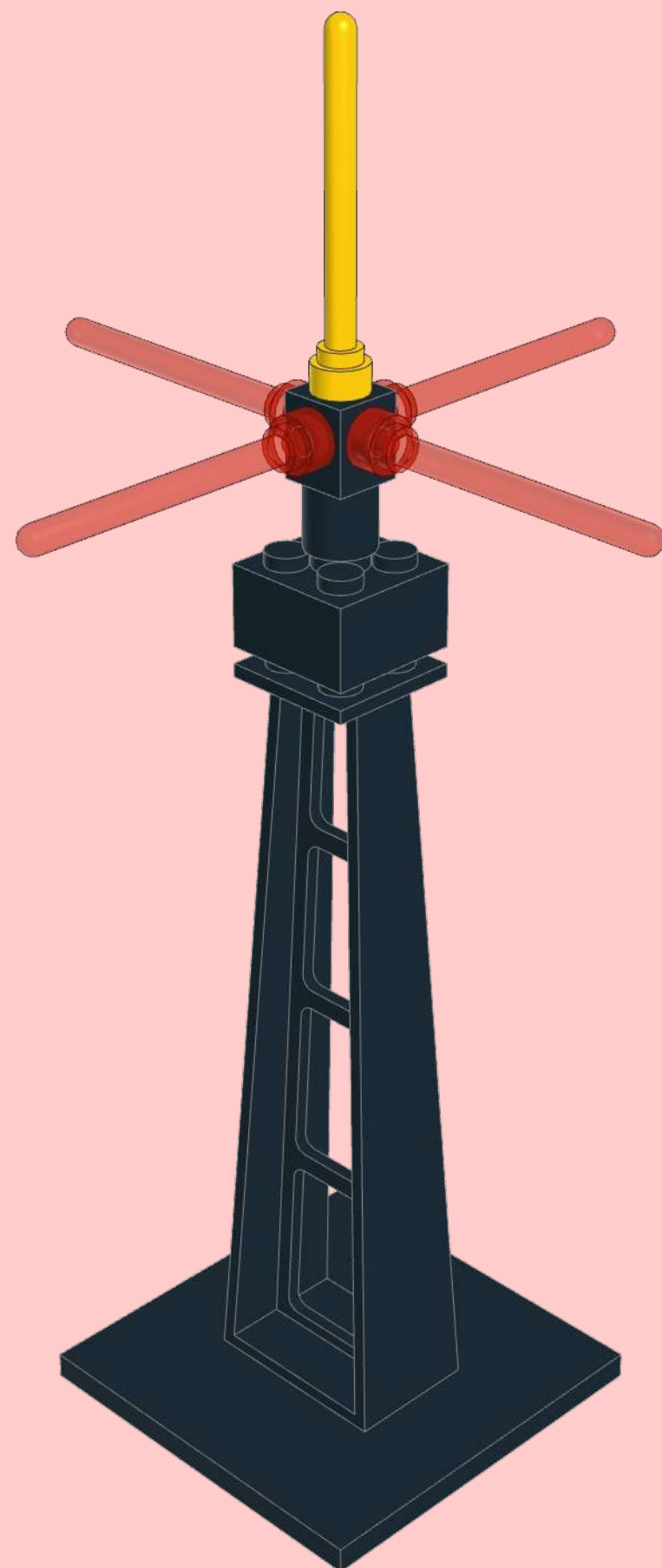
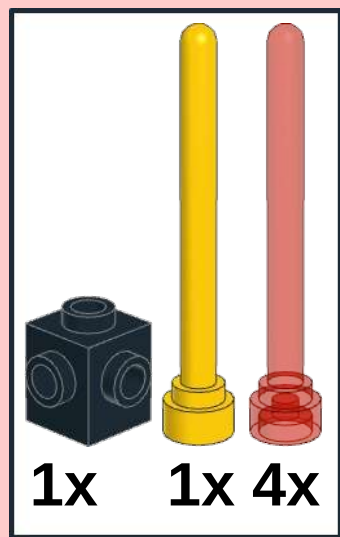
3  1x
 2x  2x

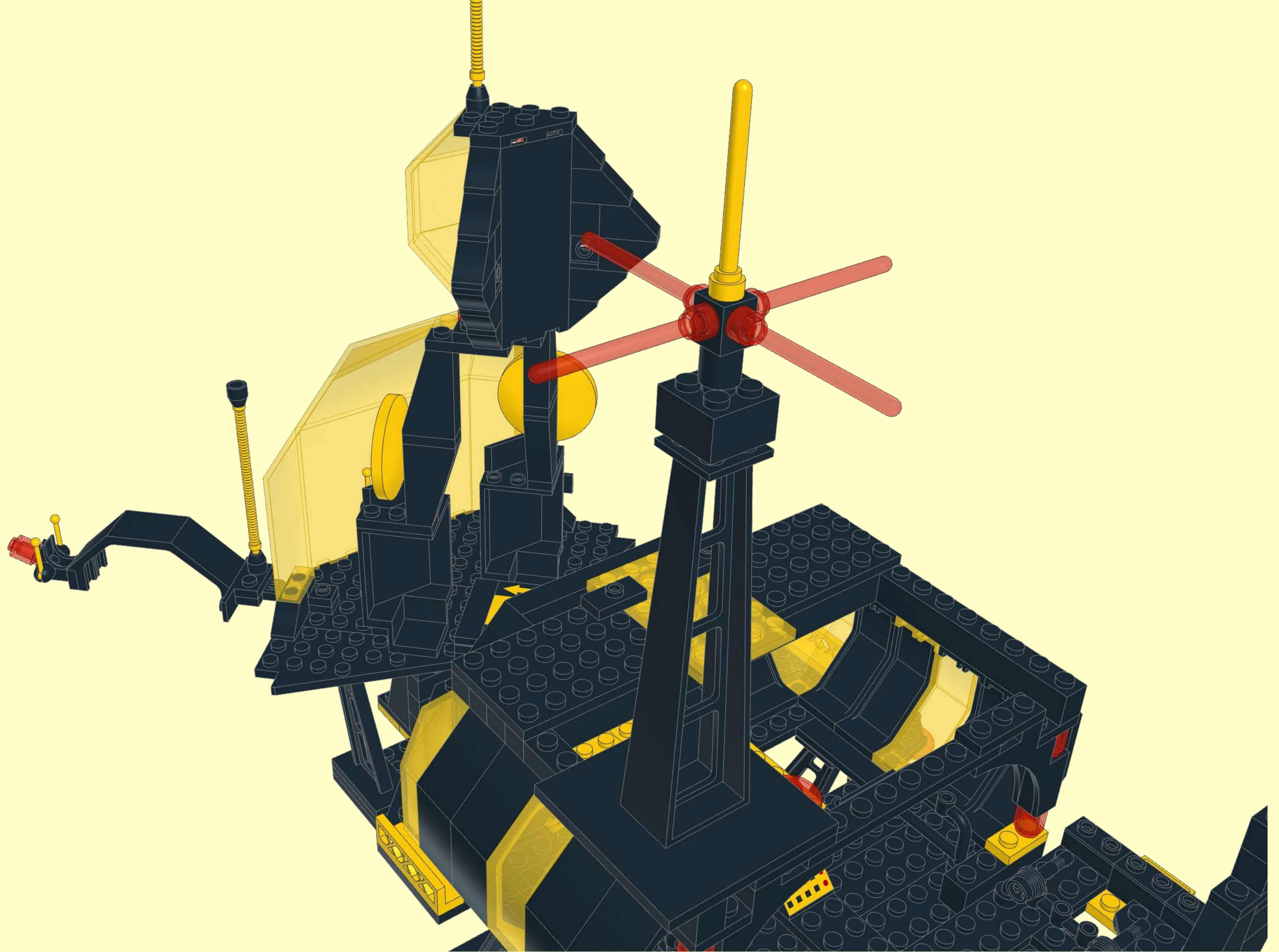


1

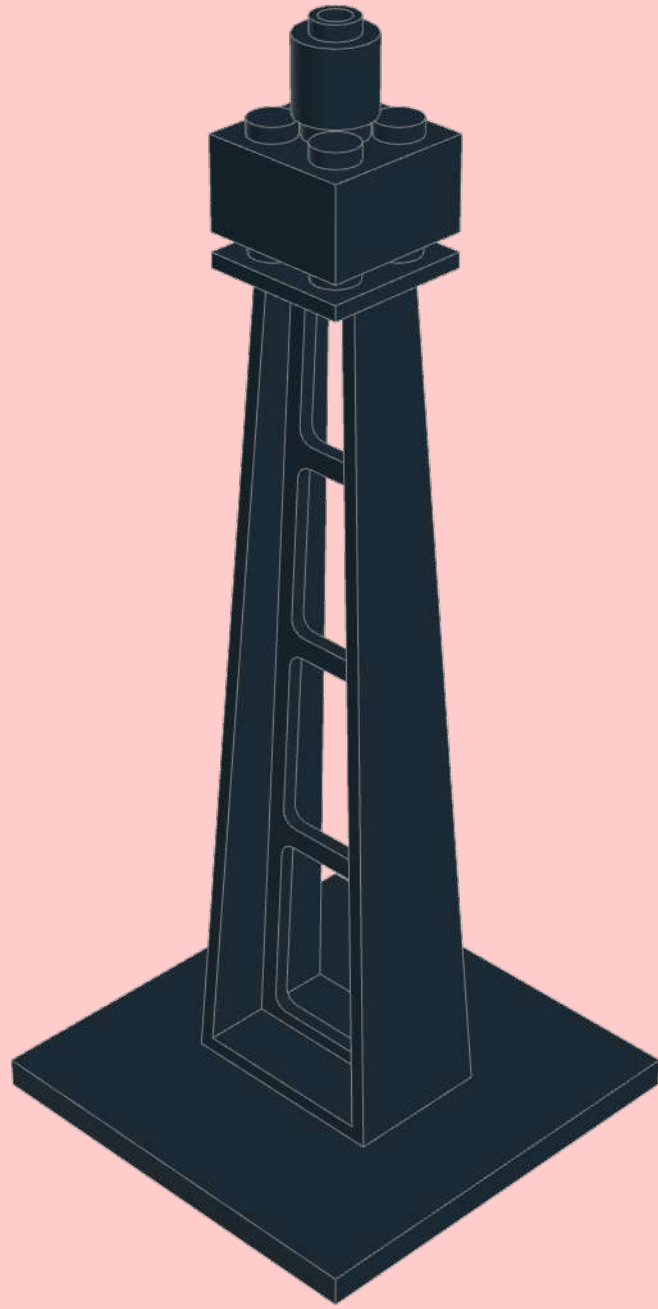
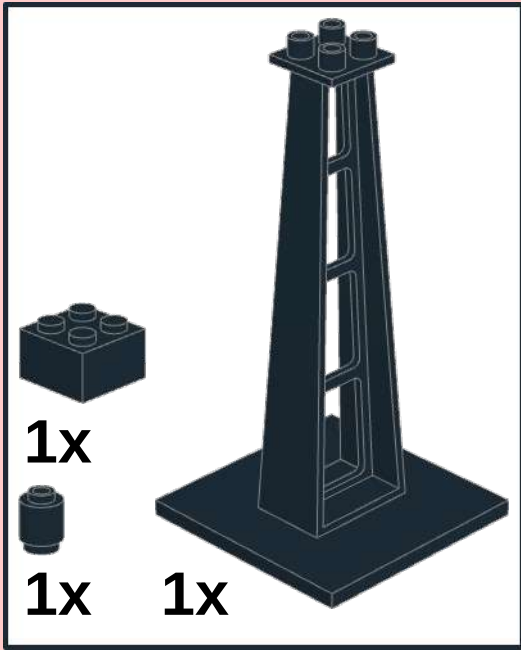
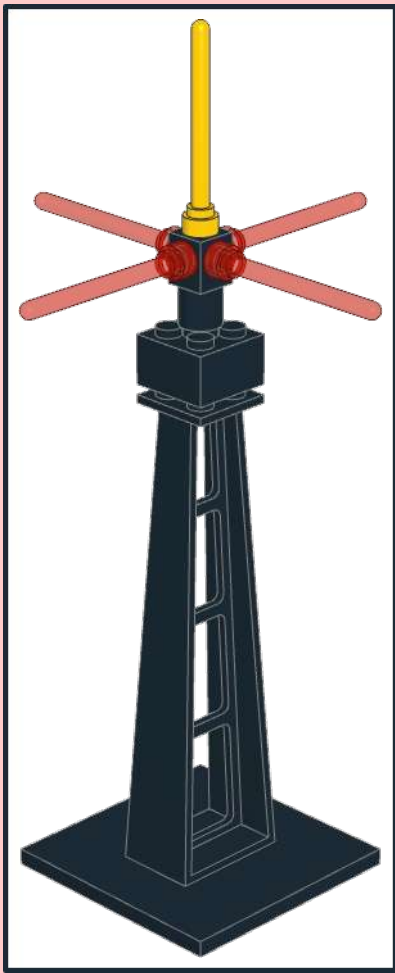


2

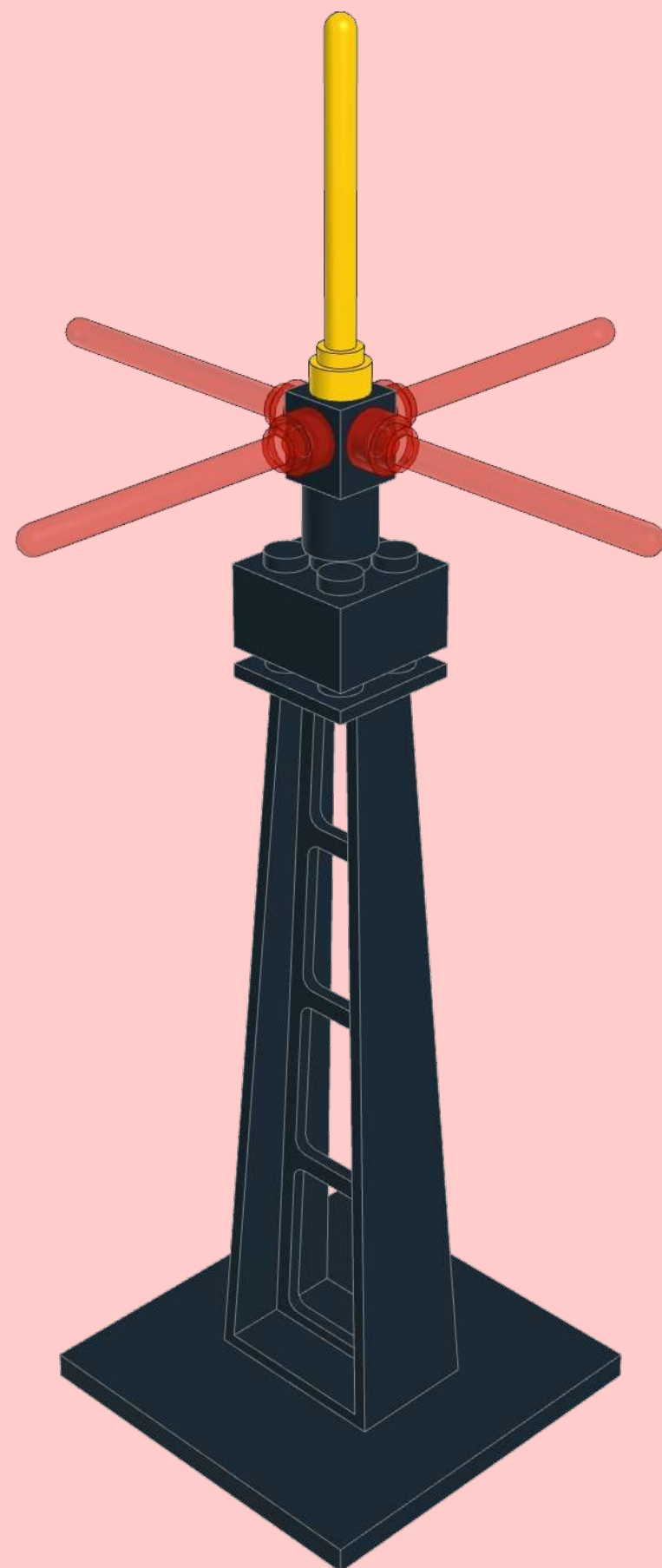
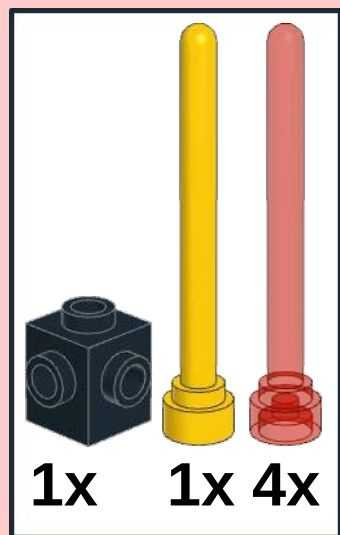


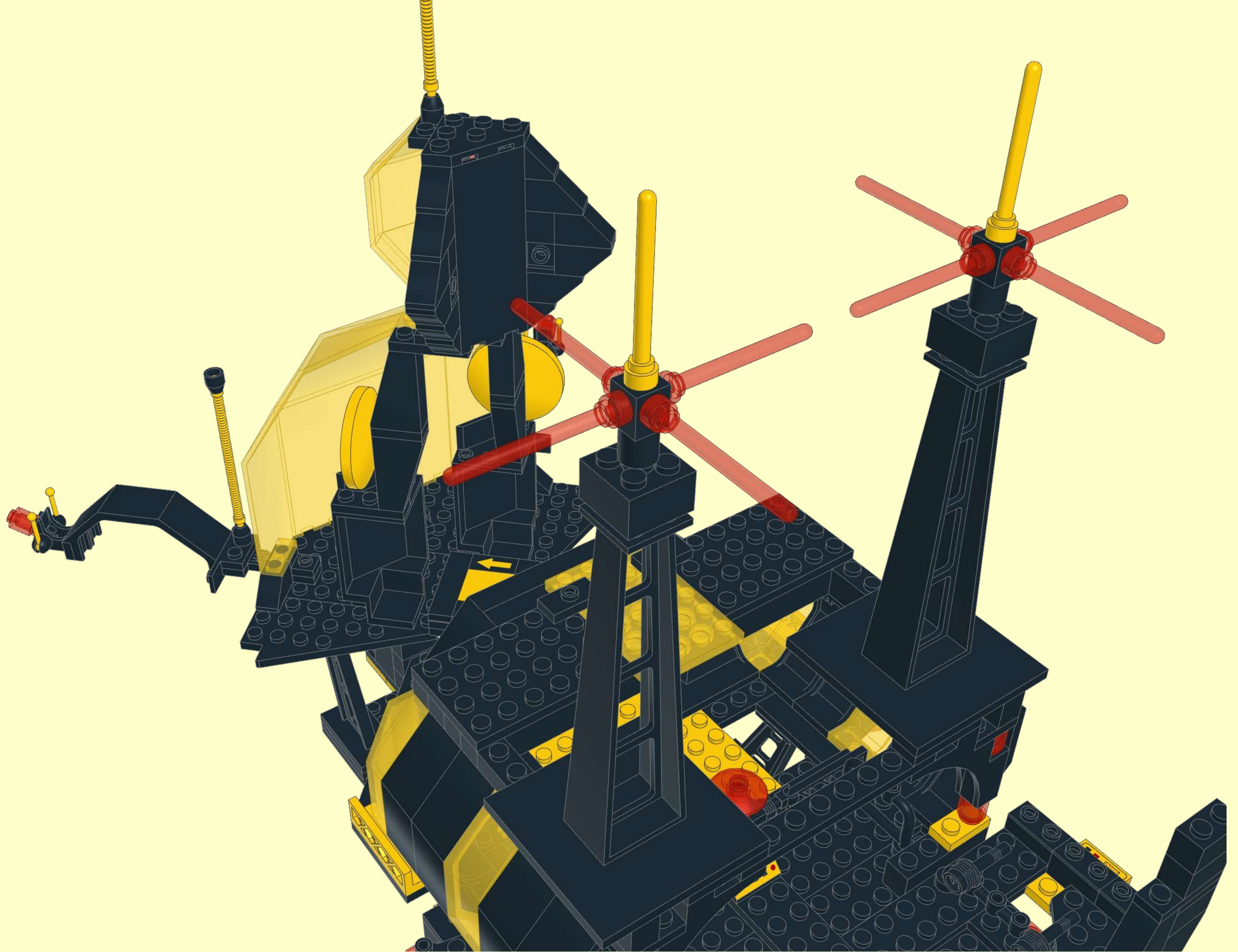


1

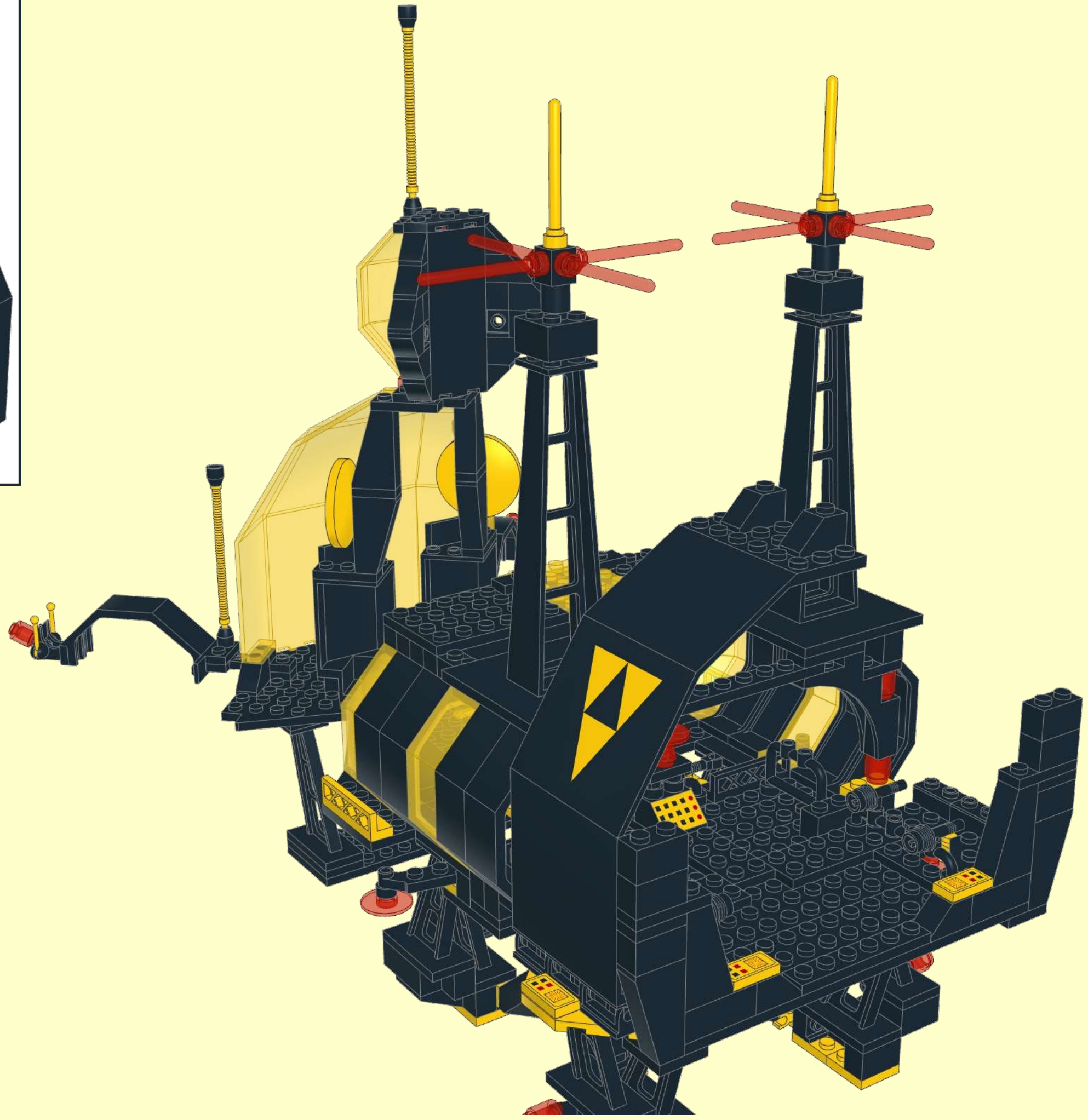
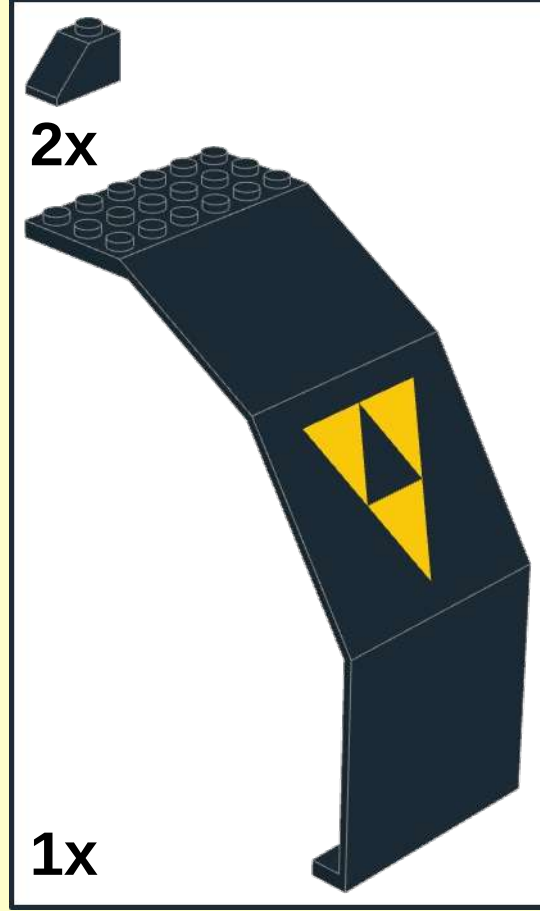


2

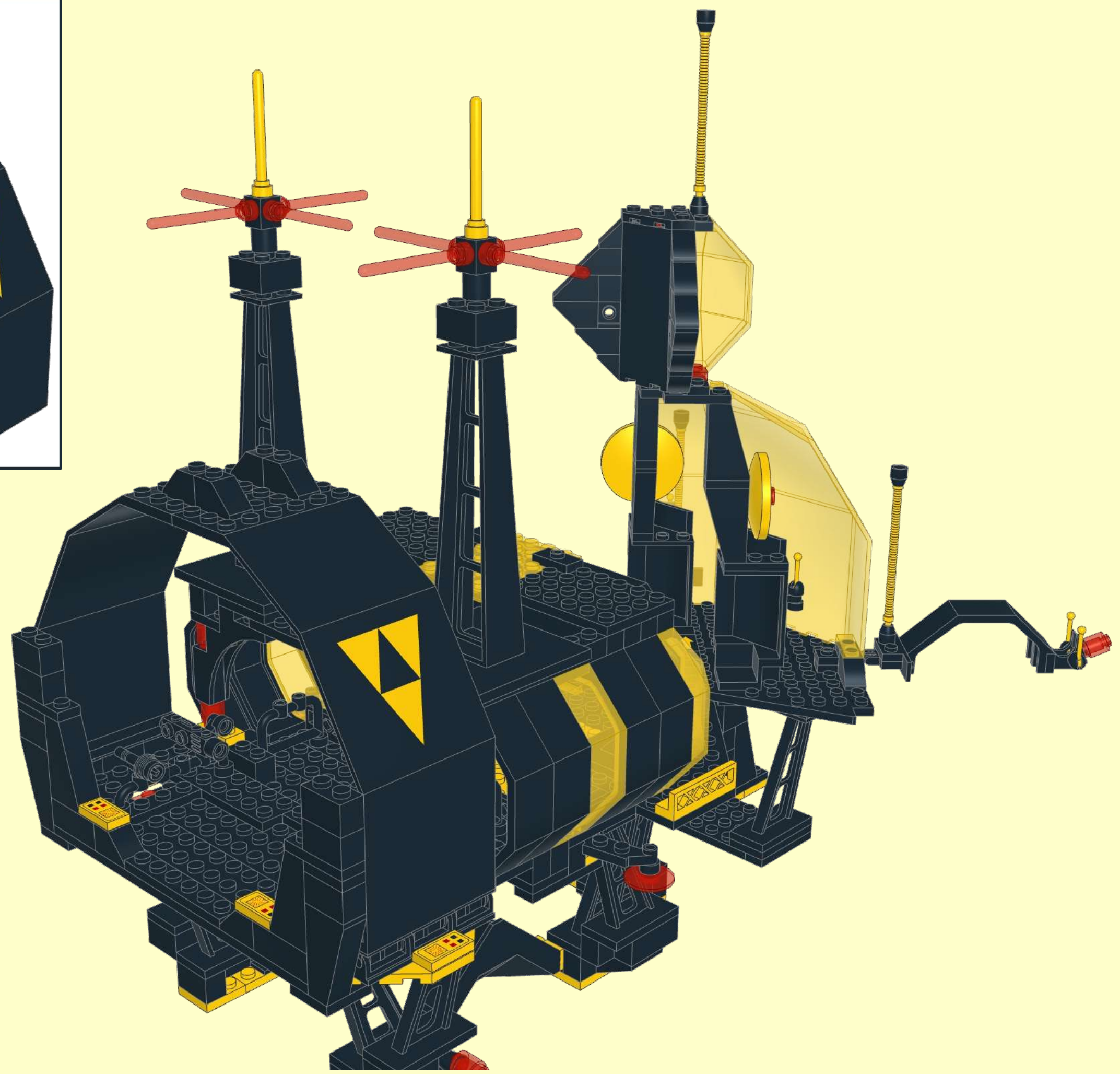
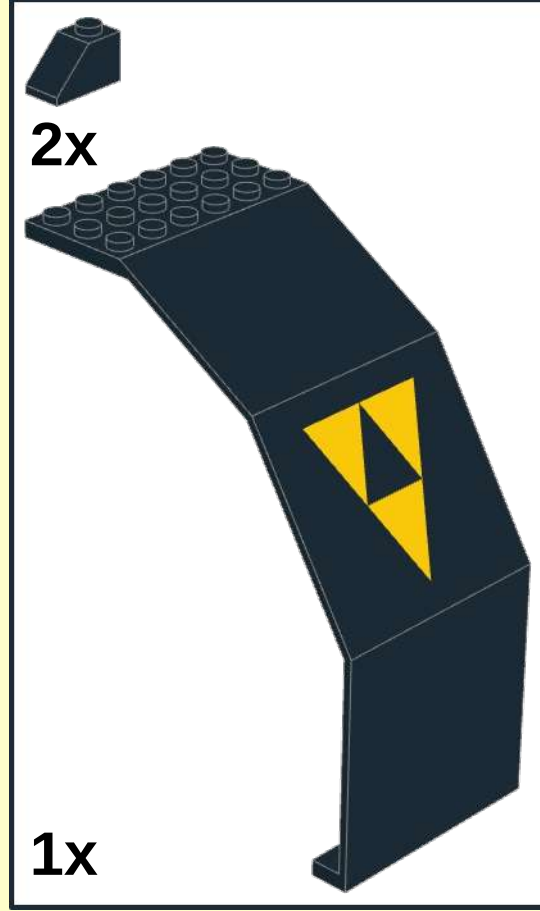




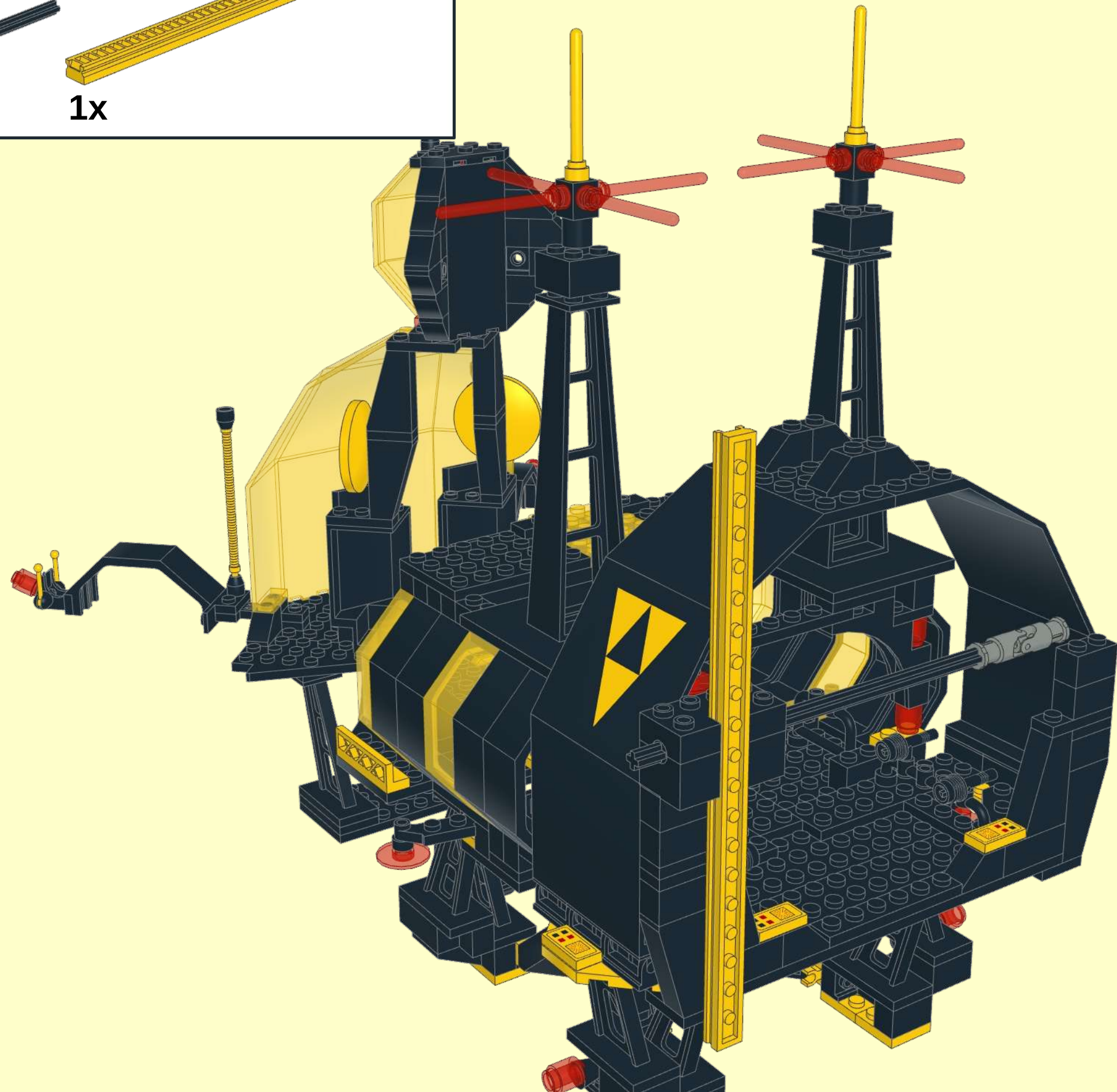
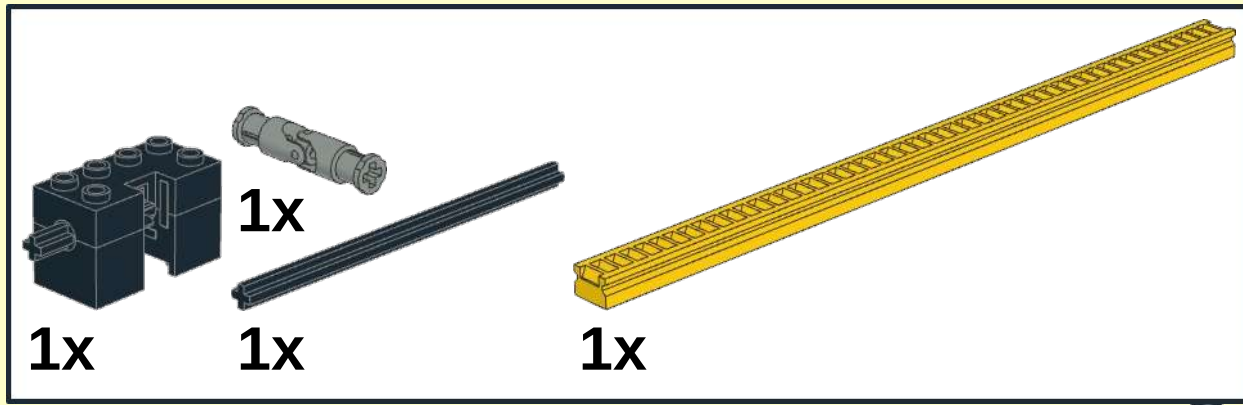
8

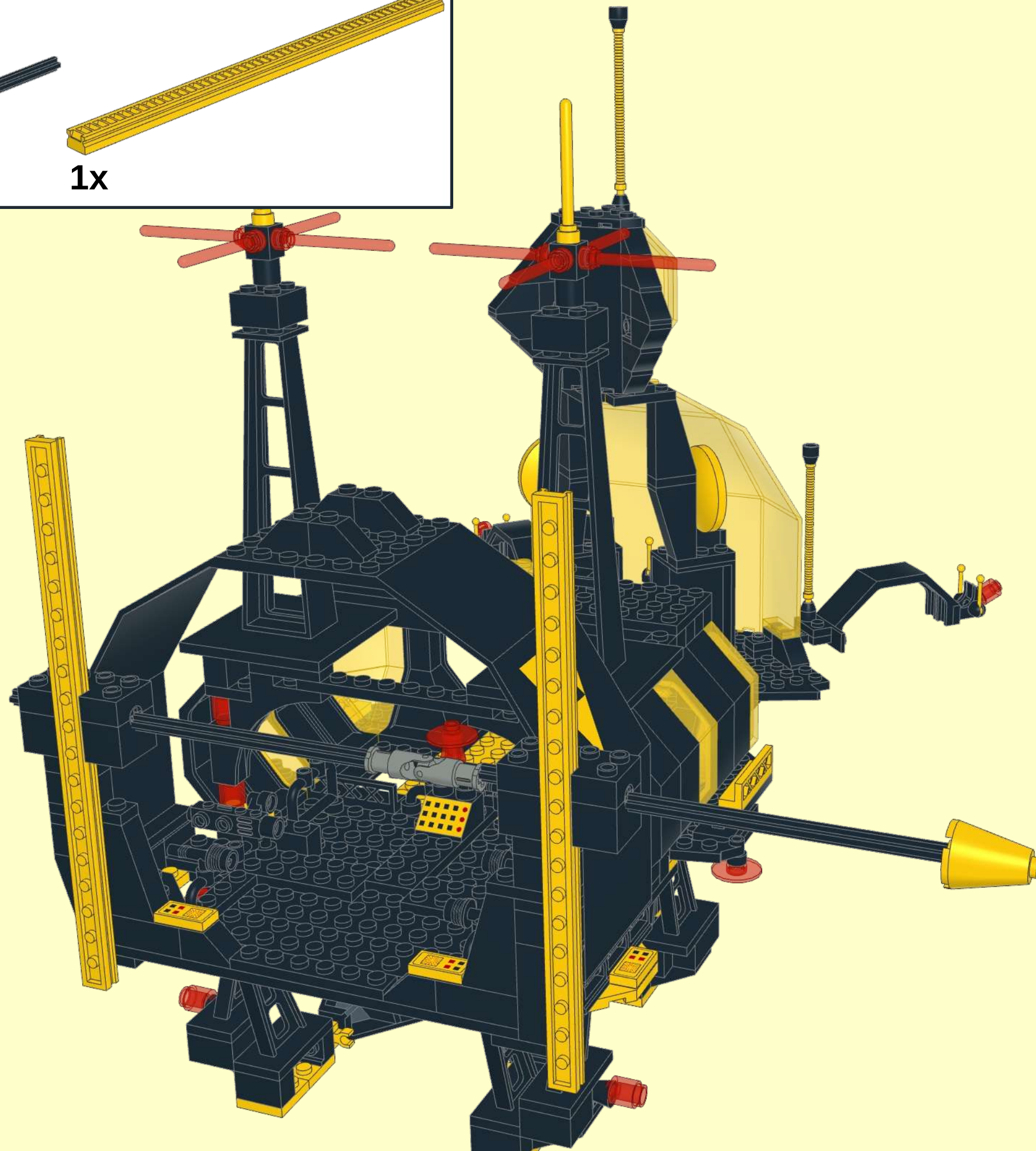
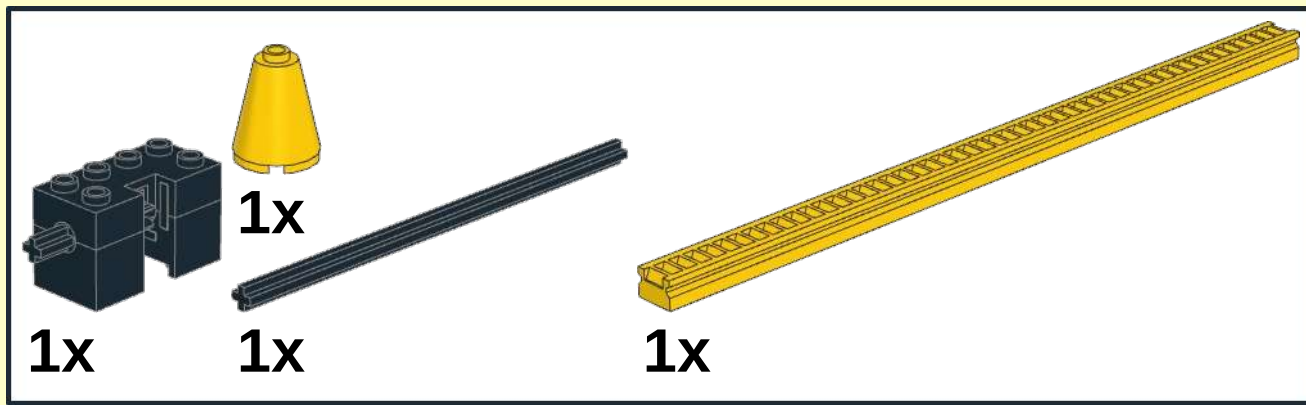


9

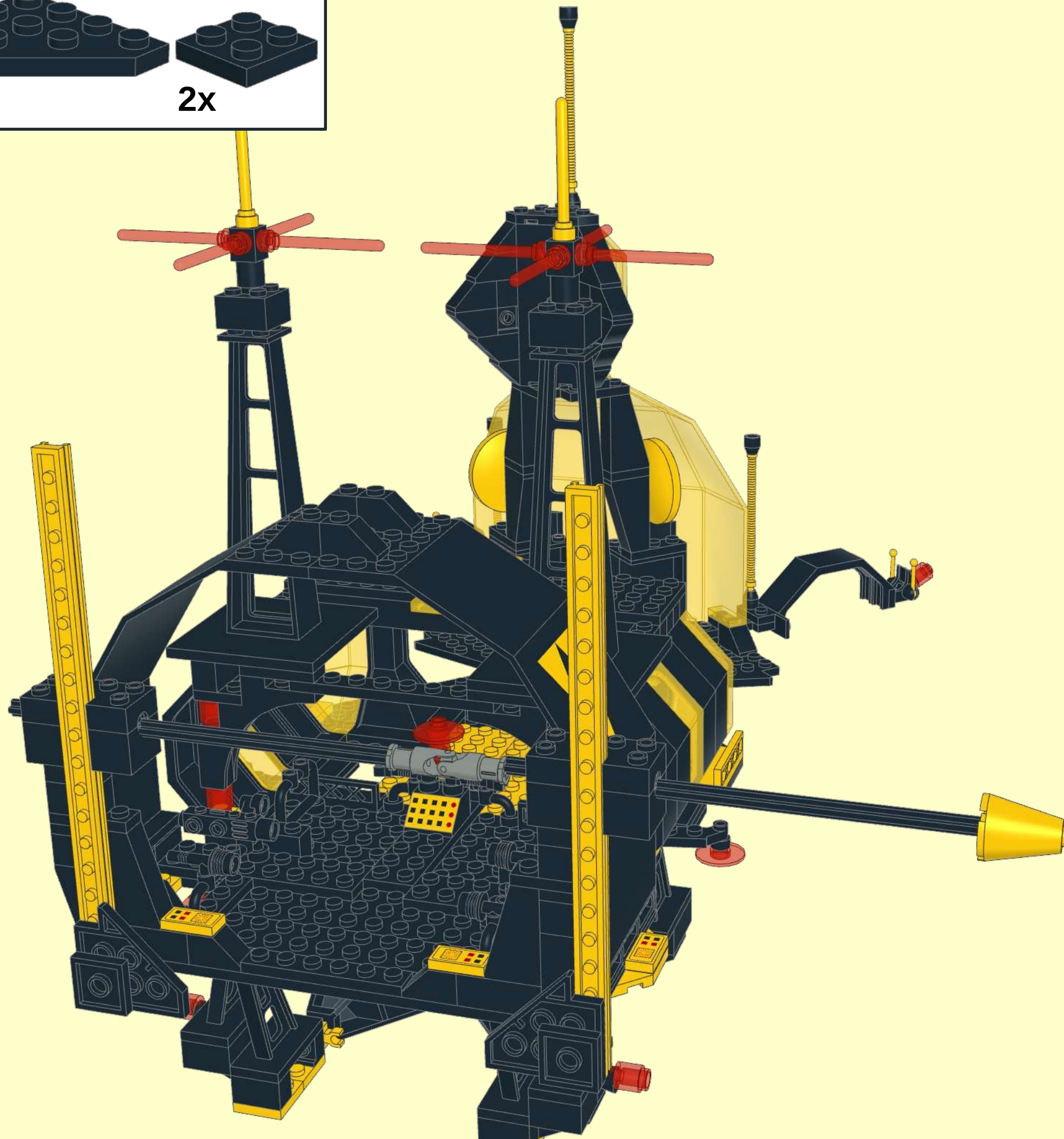
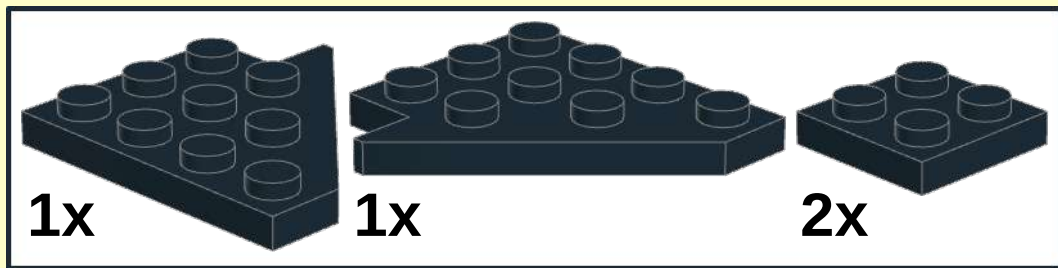


10

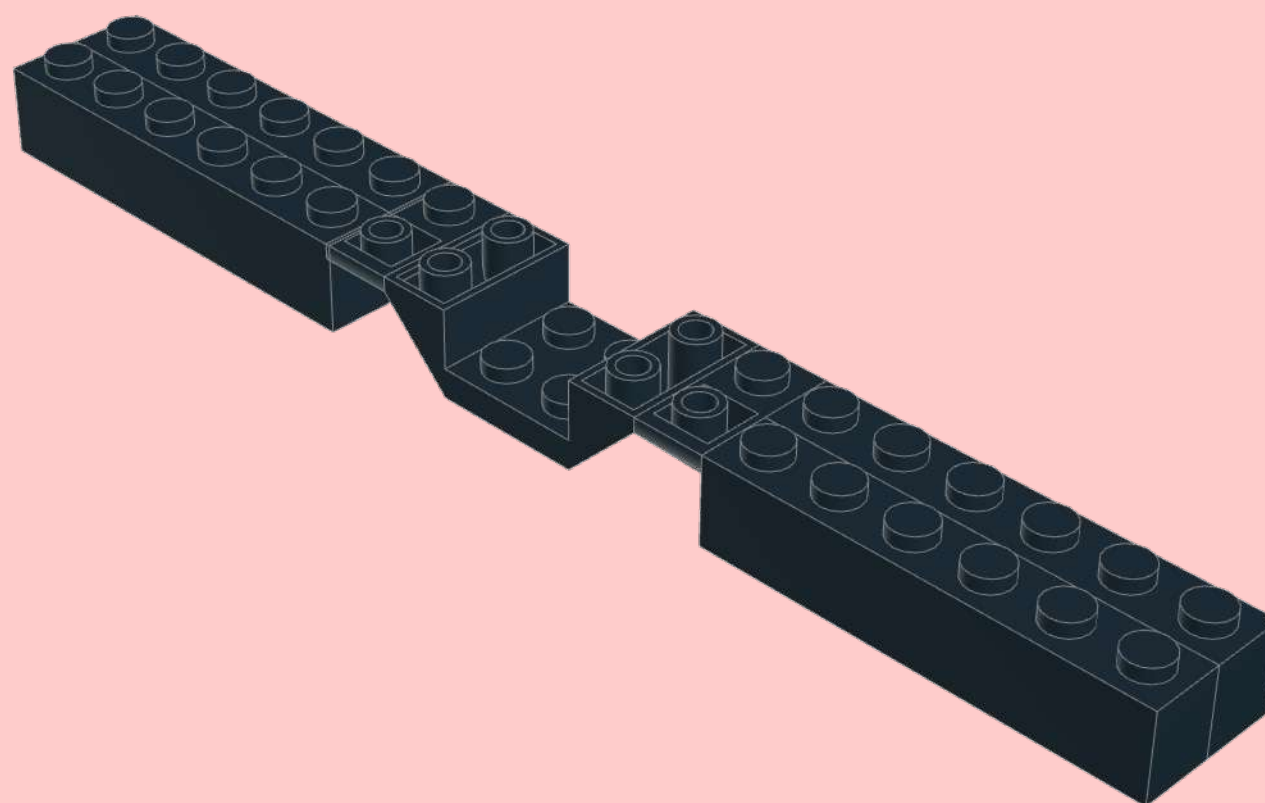
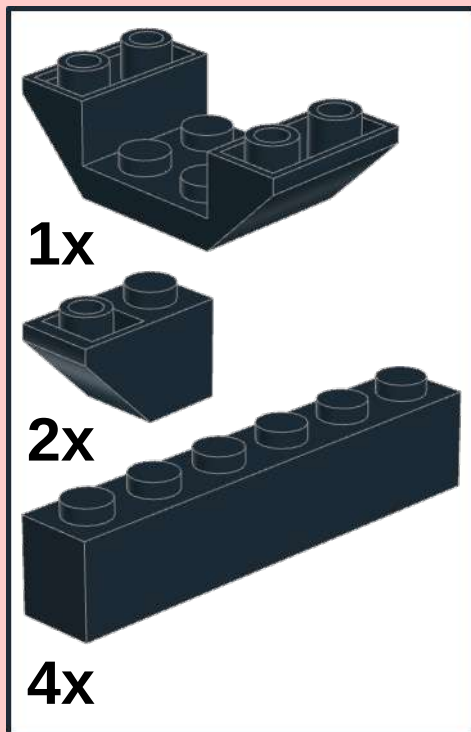
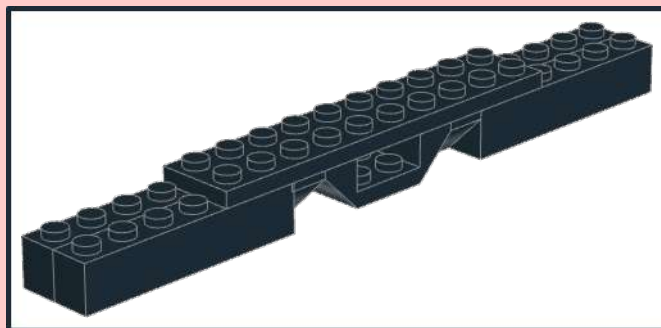




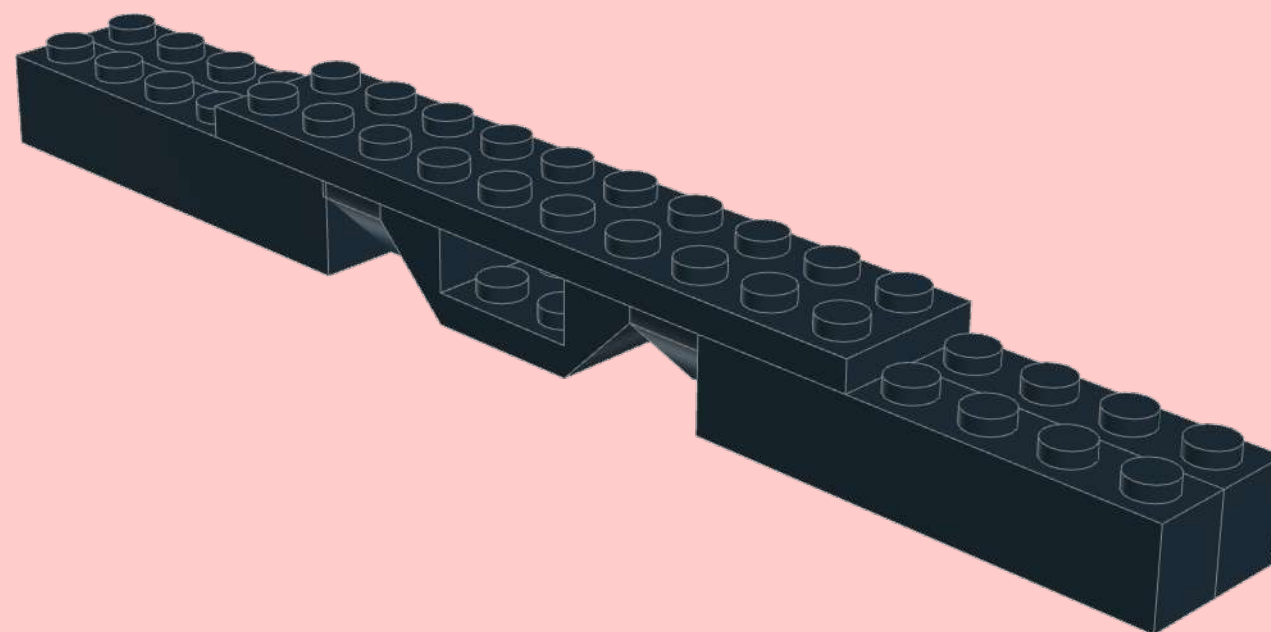
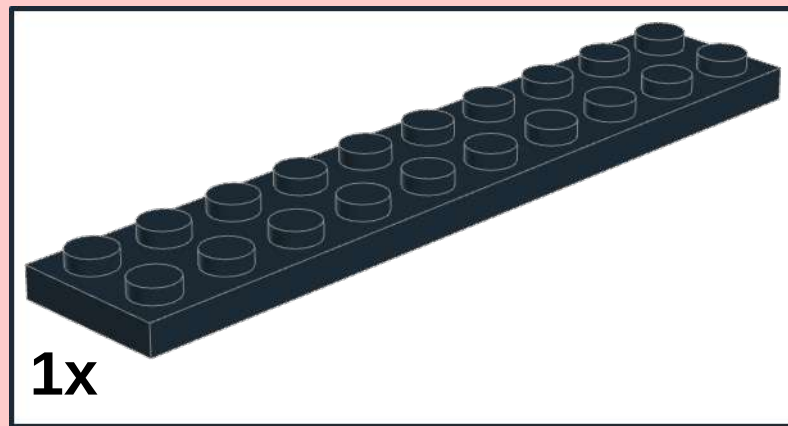
12

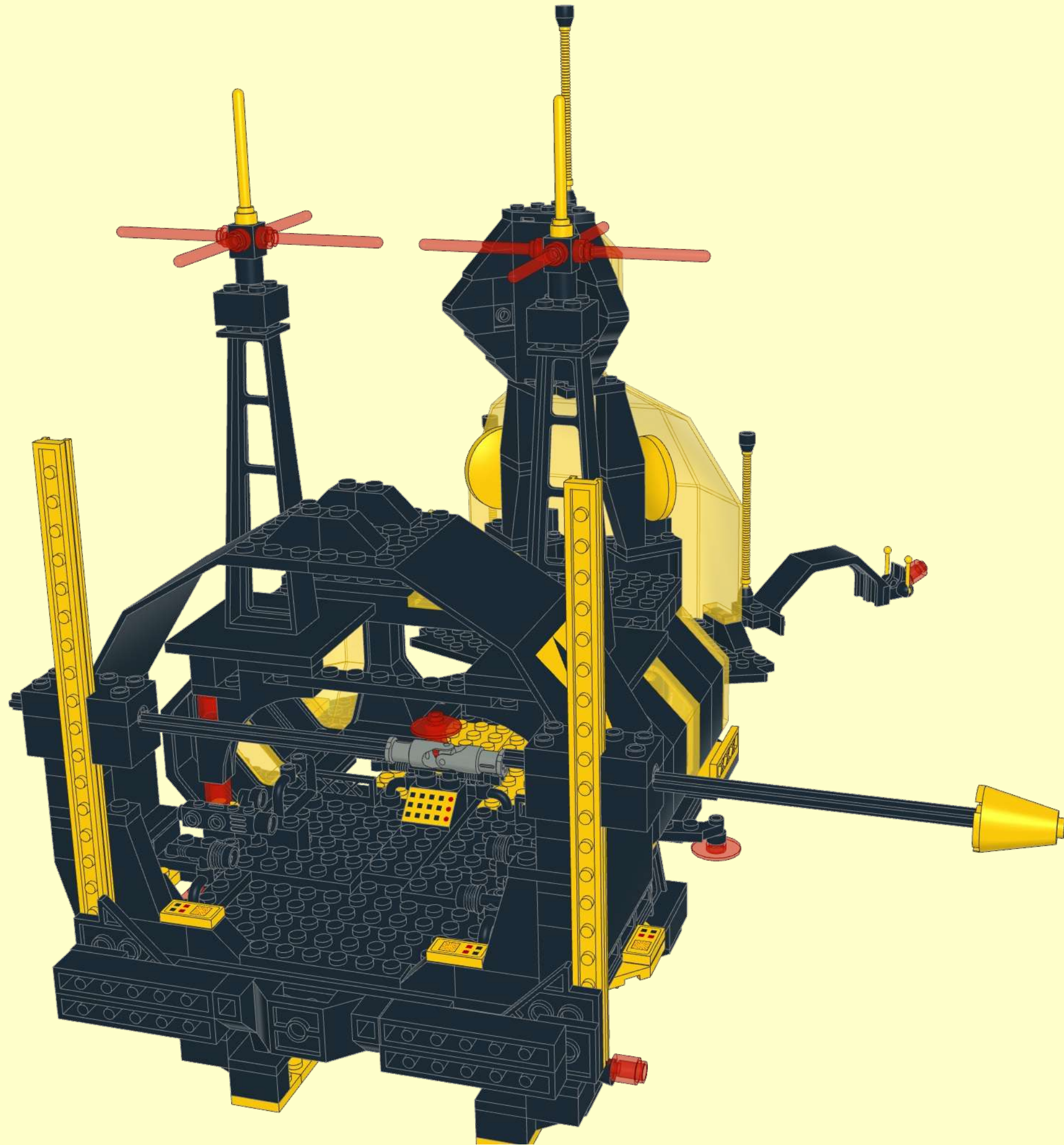


1

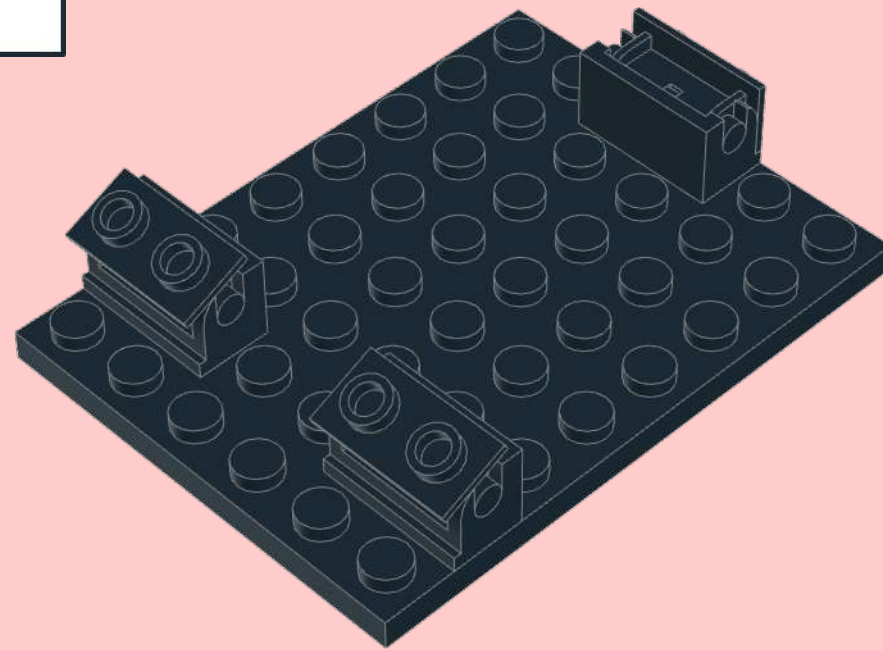
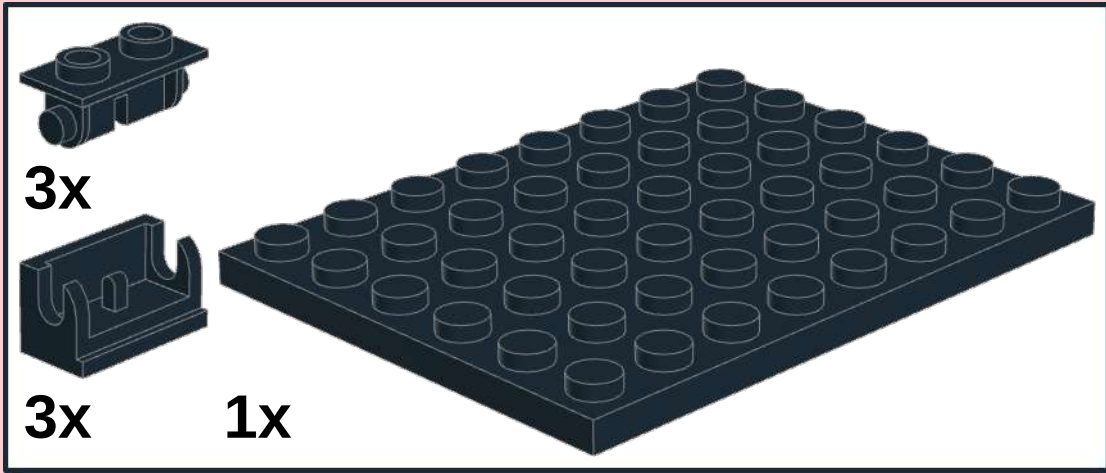
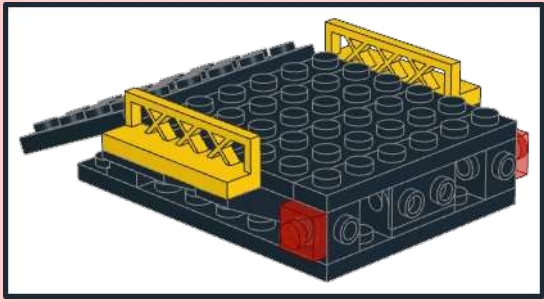


2

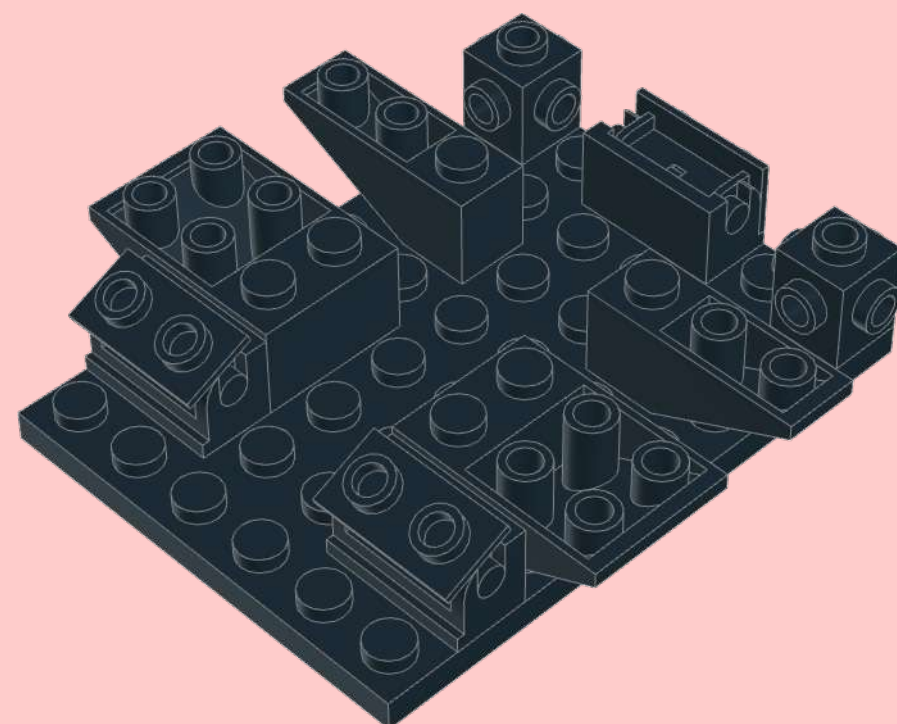
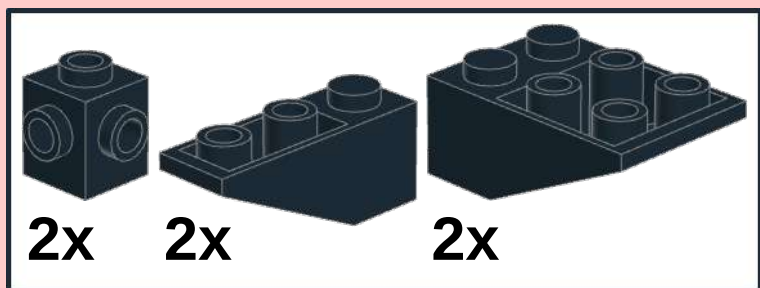




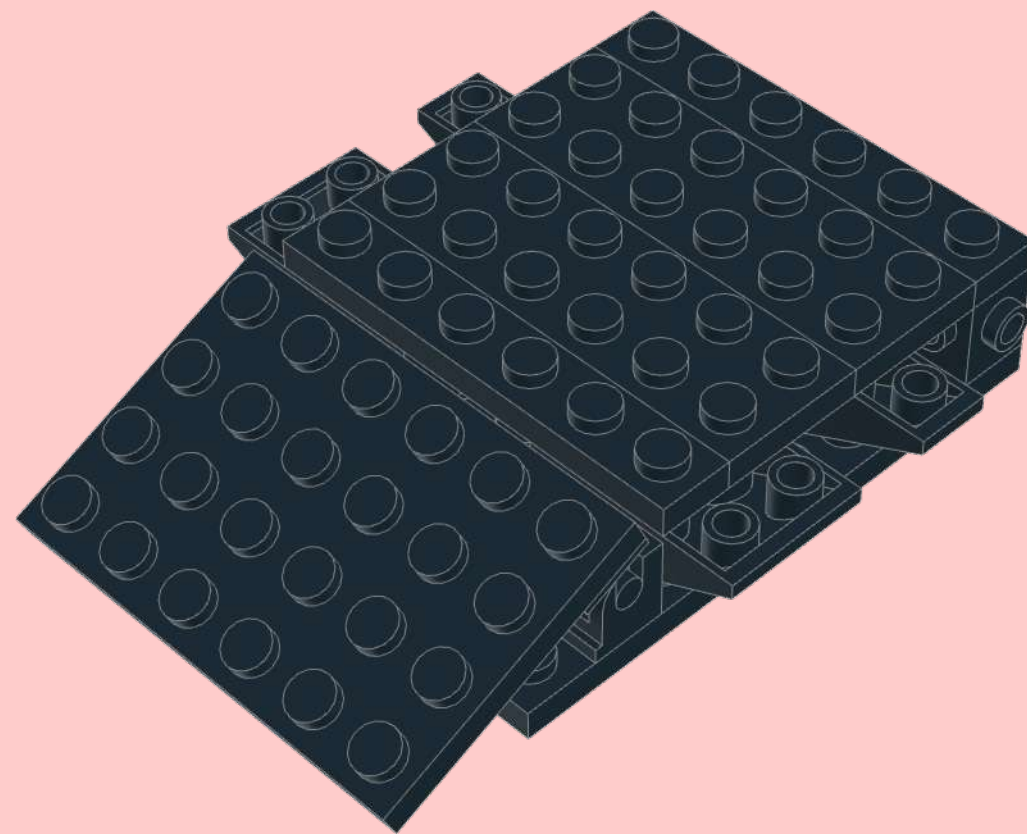
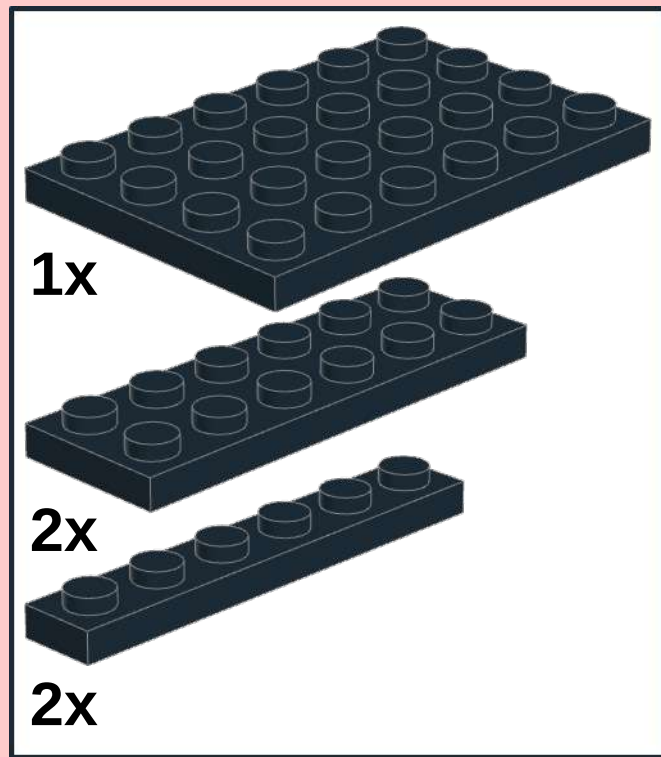
1

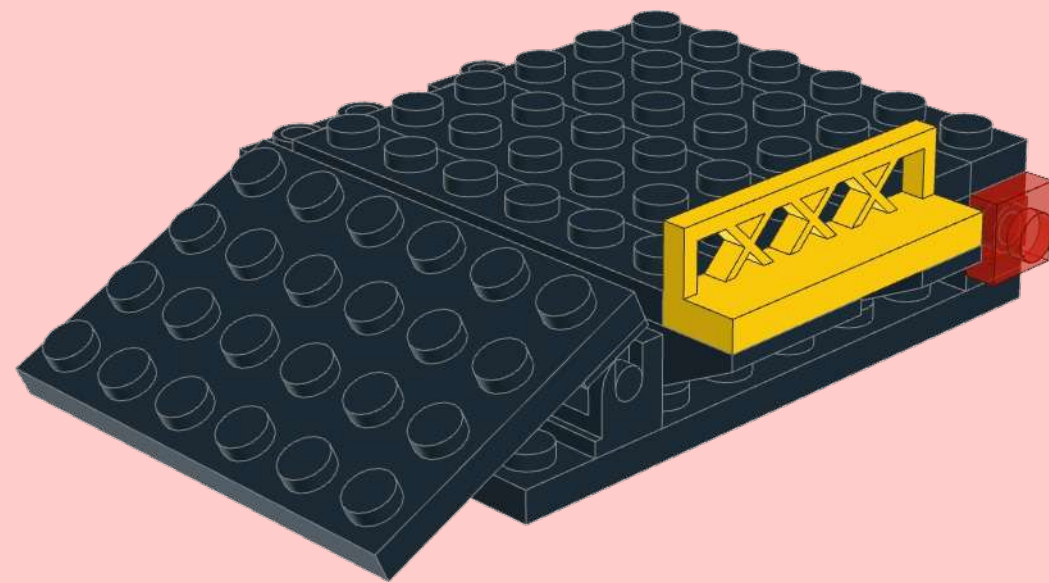
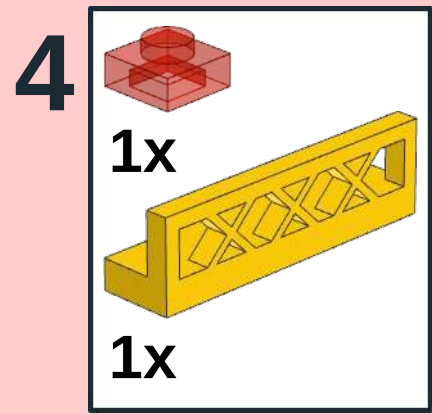


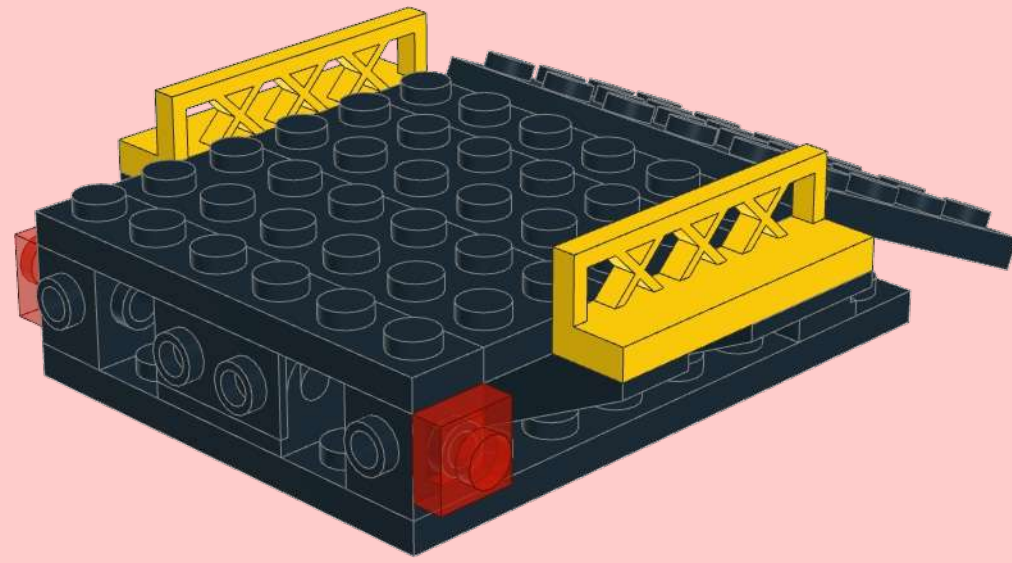
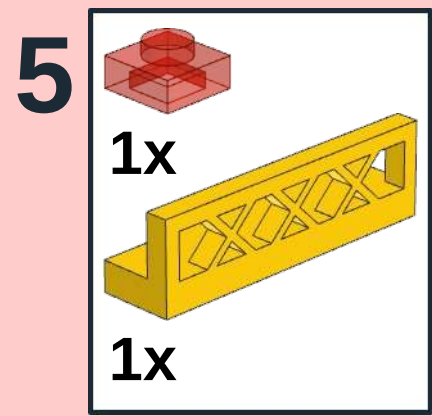
2

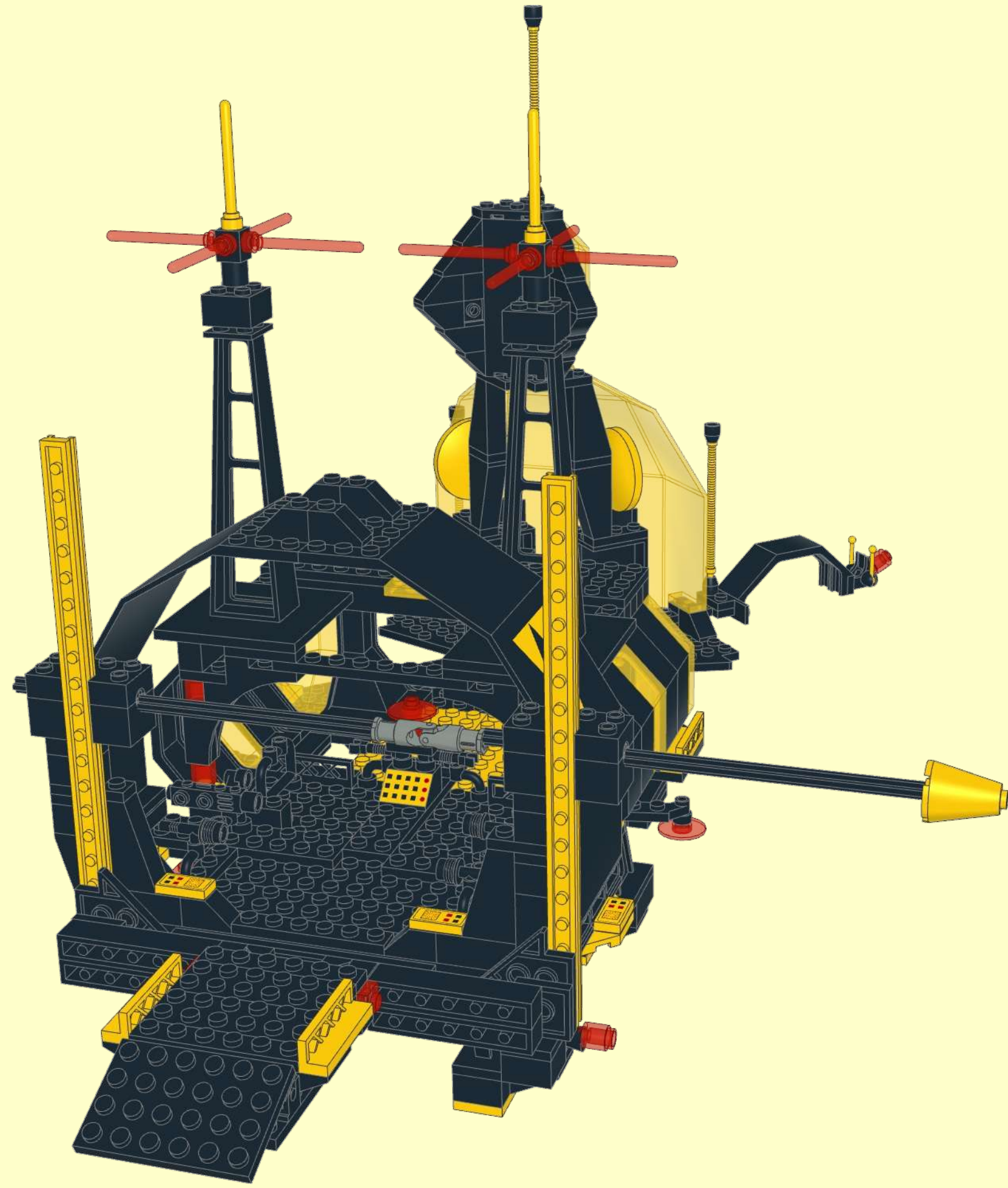


3









15

