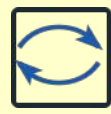
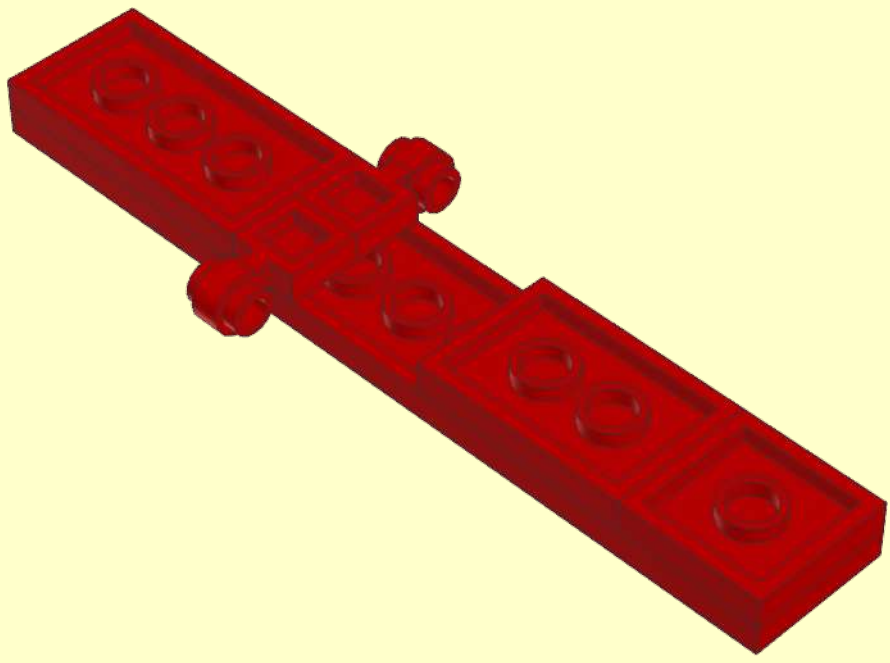
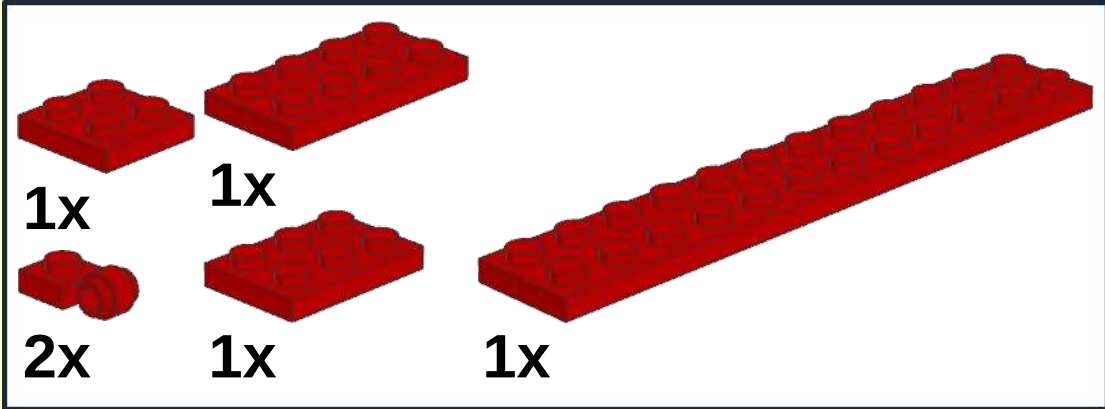
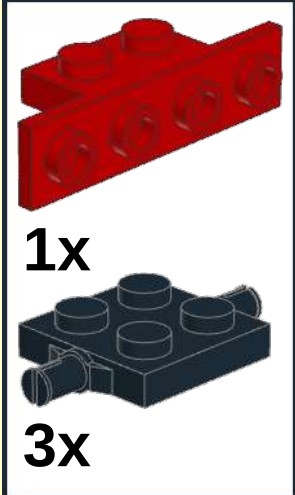


1



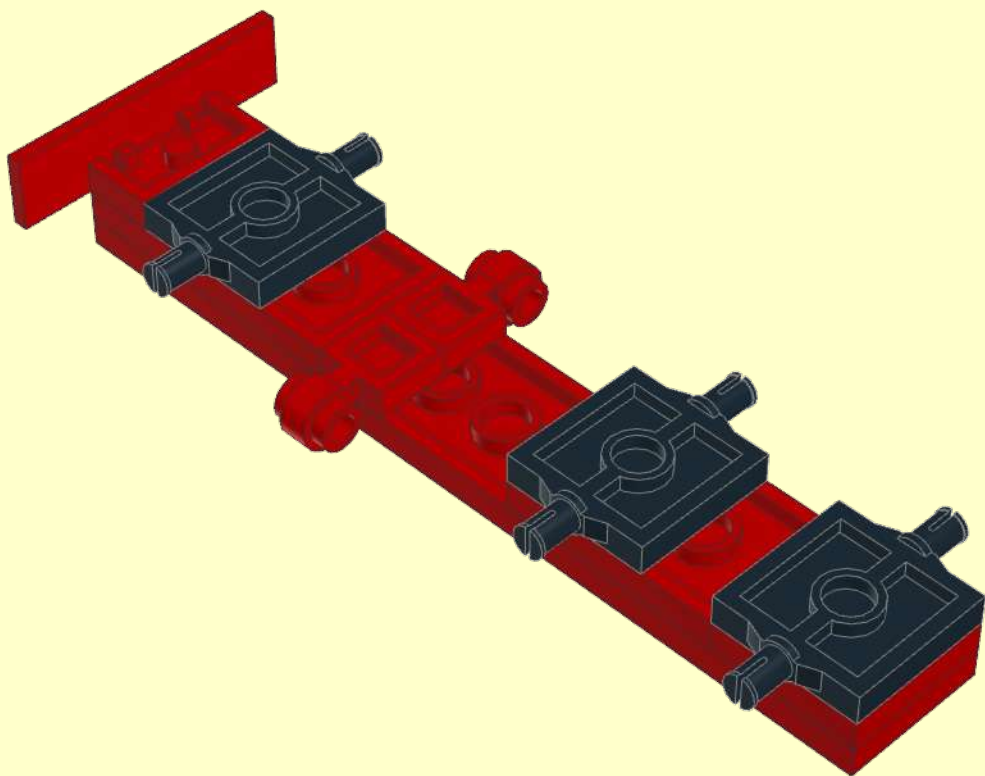
2



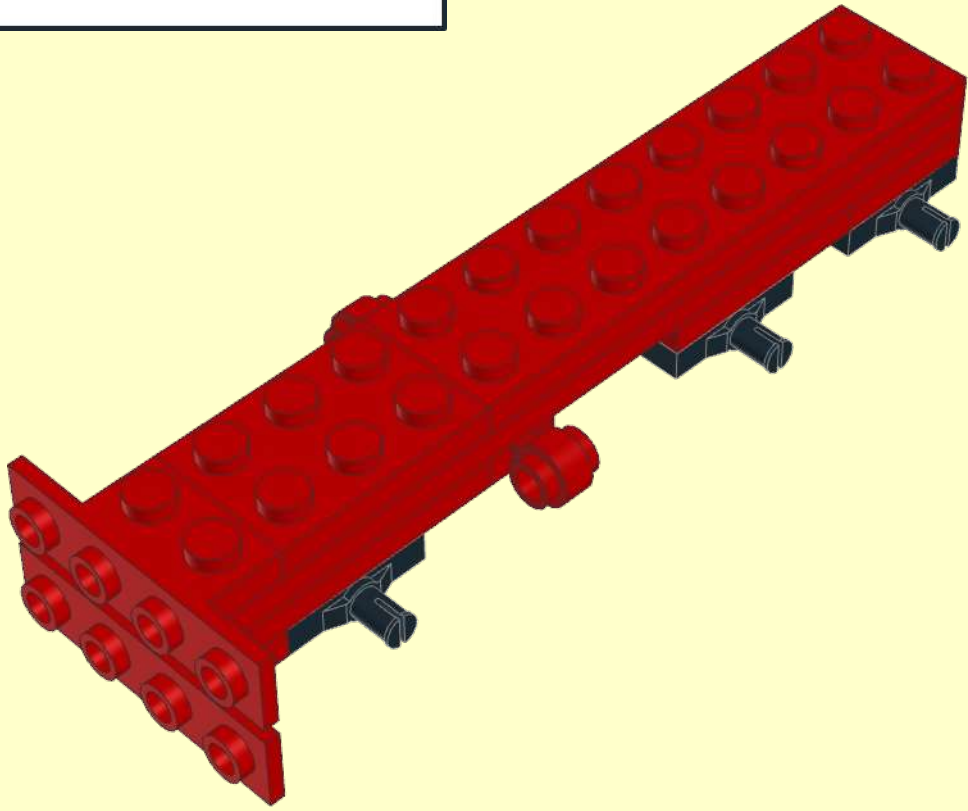
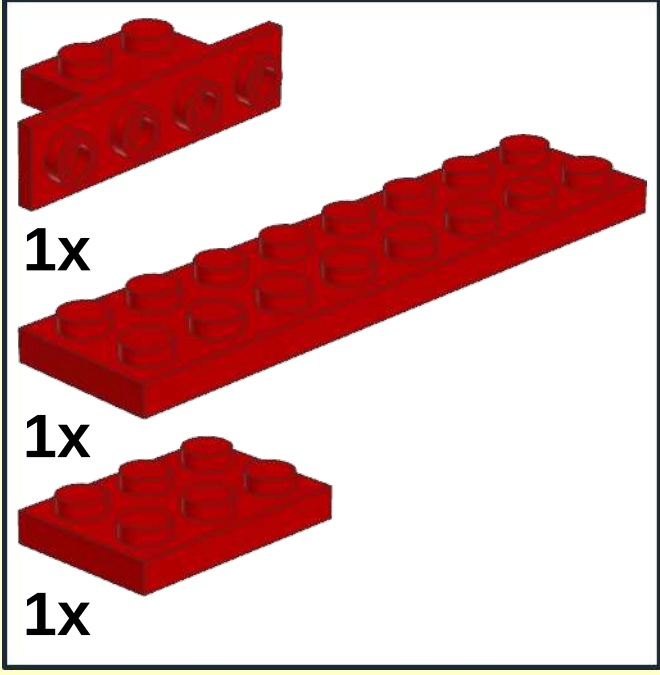
1x

3x

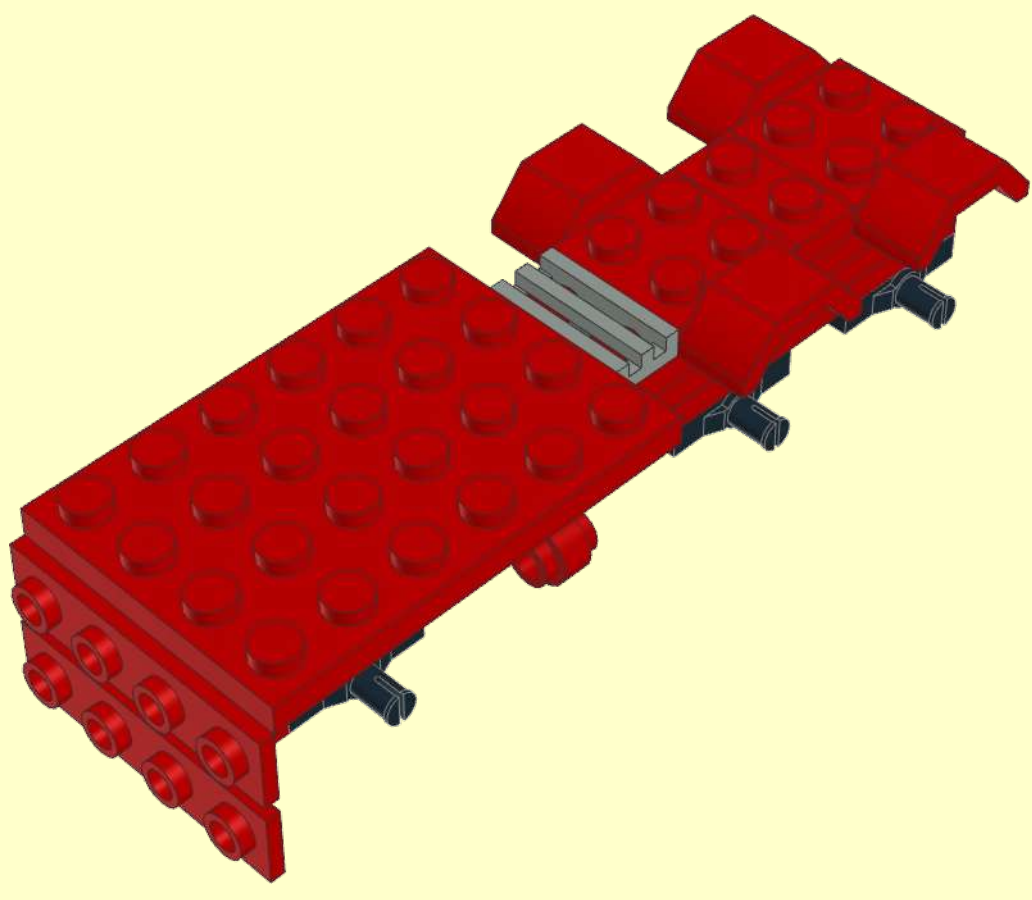
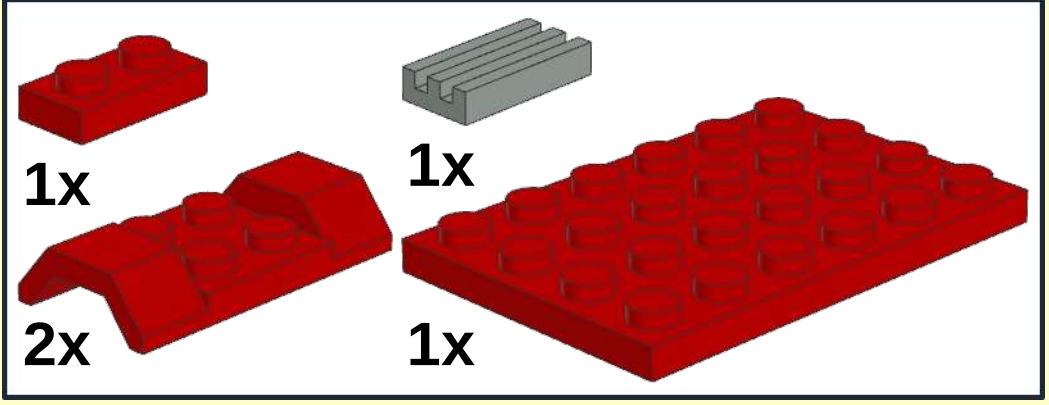
This block contains a parts list for step 2. At the top is a red 1x6 Technic beam with three red pins on top. Below it is a dark grey 1x4 Technic plate with a grey axle on the left side and three circular studs on top. The quantity '1x' is written to the left of the plate, and '3x' is written to the left of the red beam.



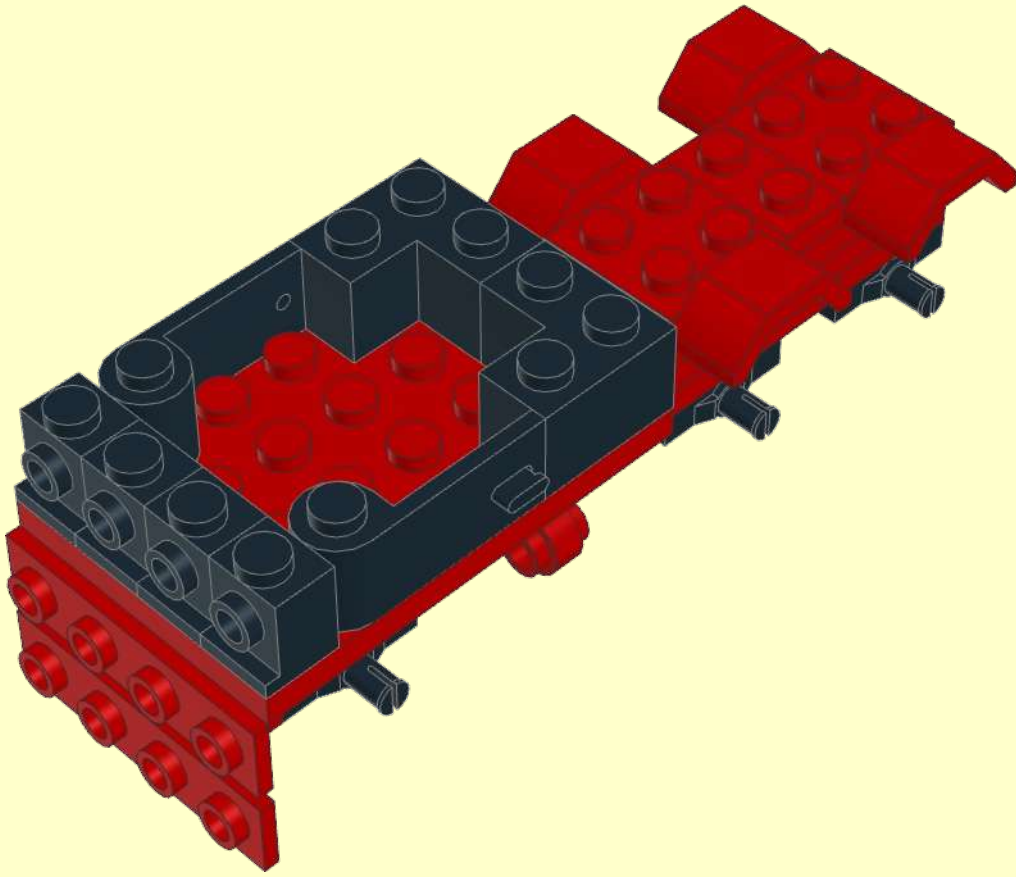
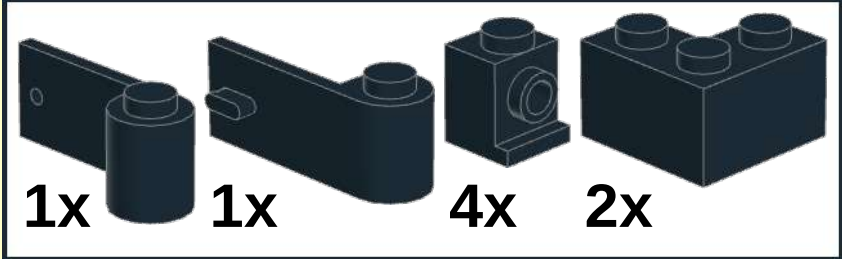
3



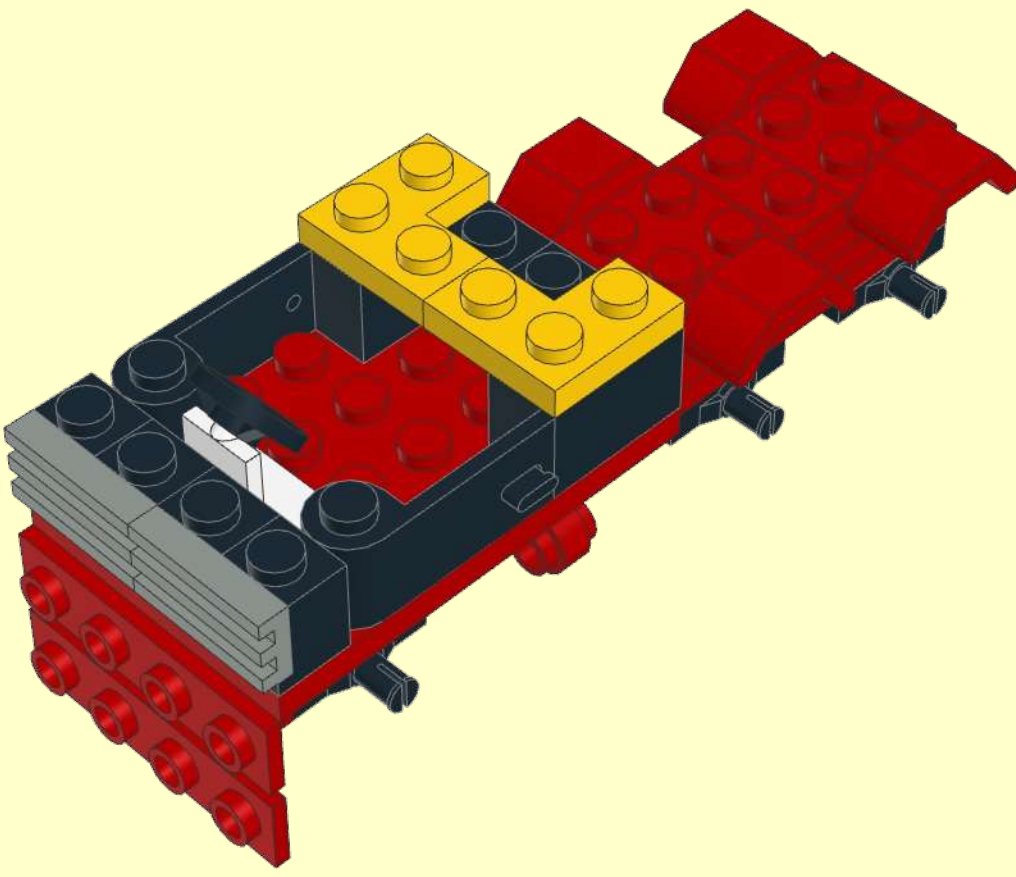
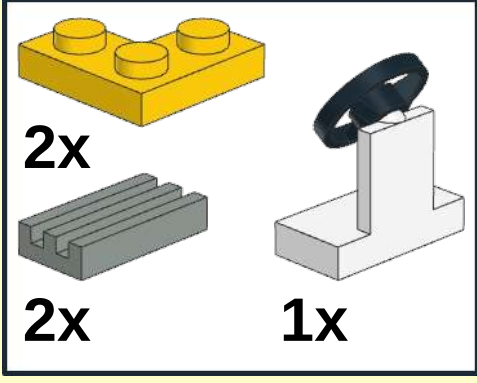
4



5

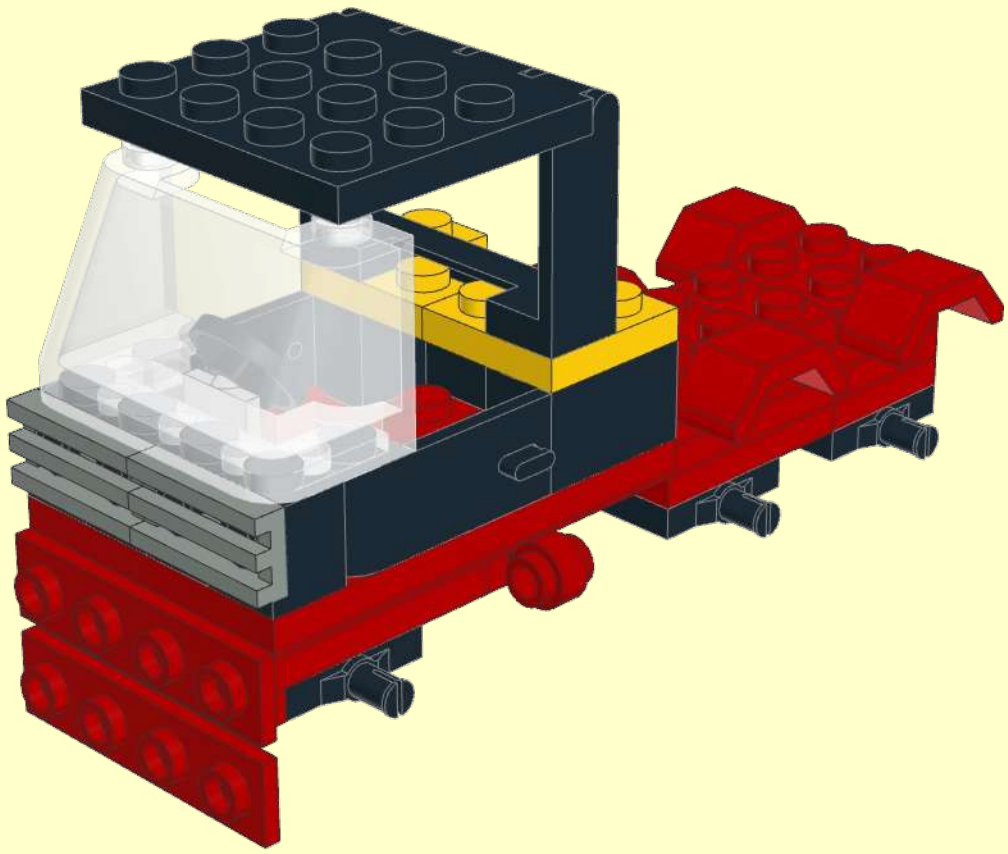
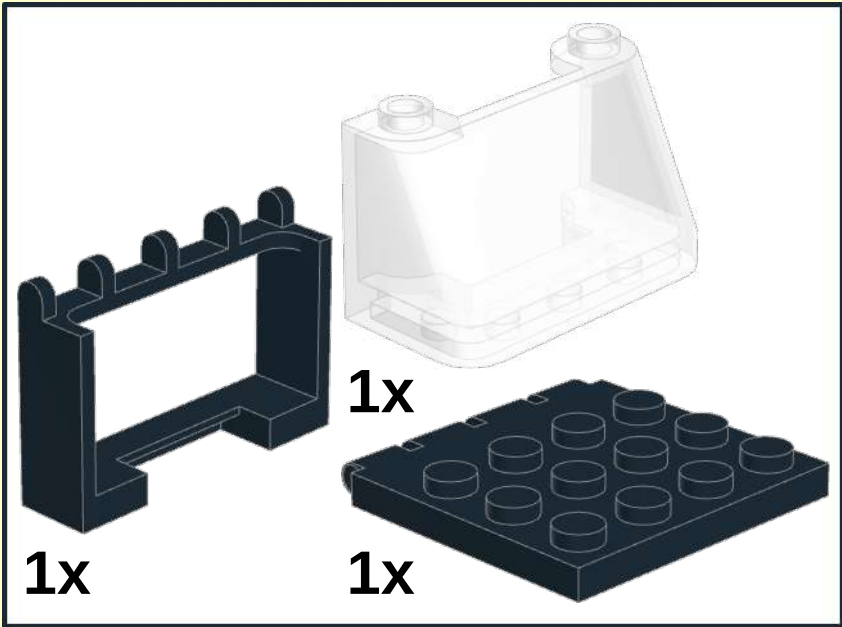


6

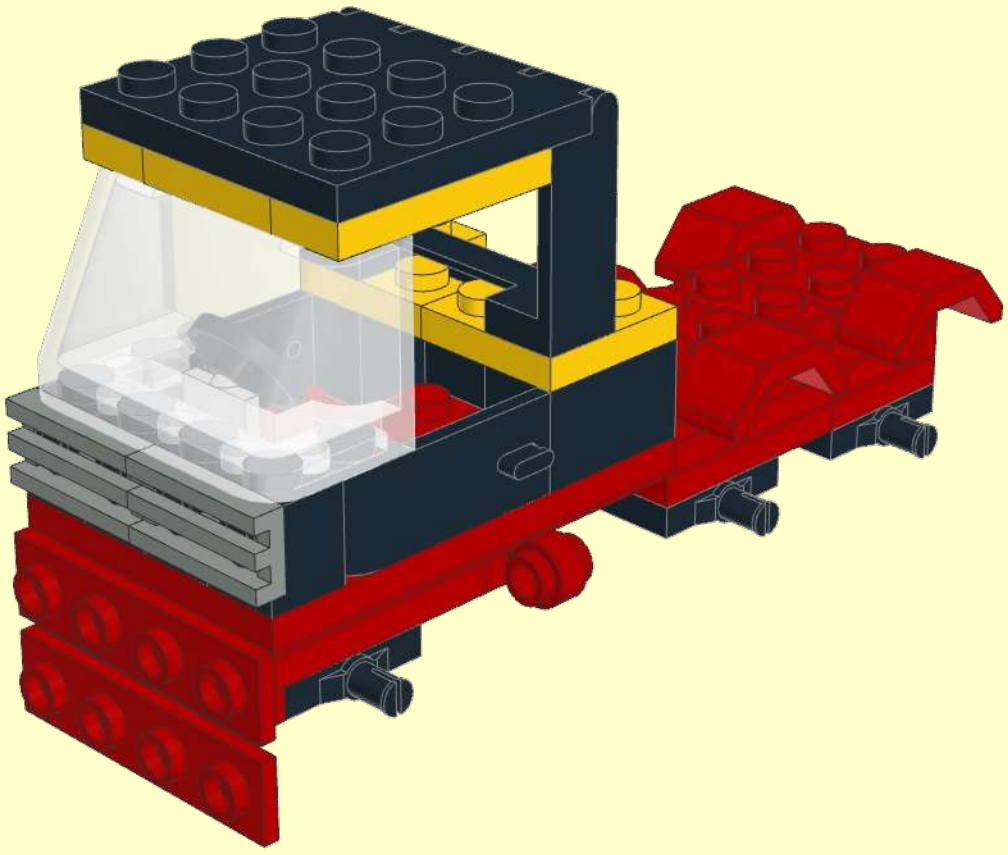
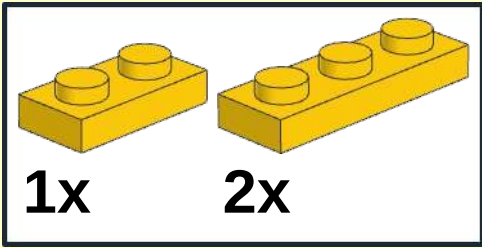




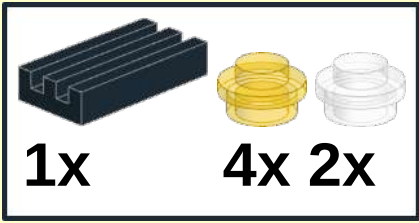
7



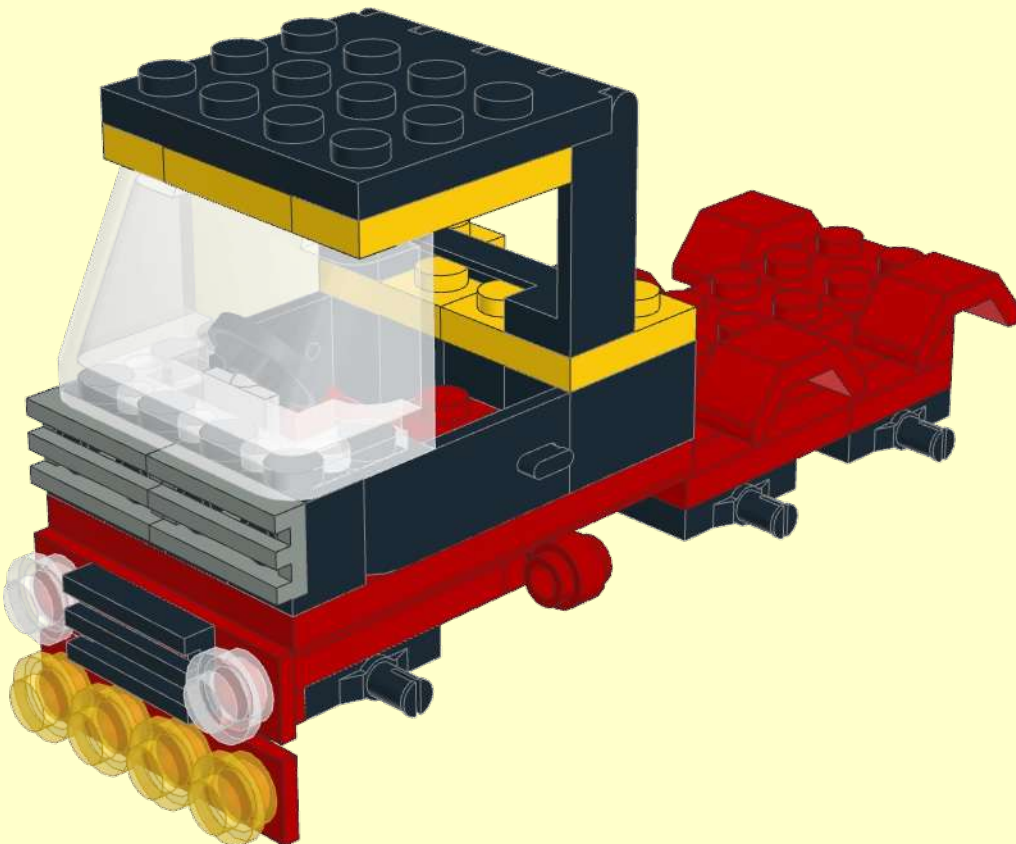
8



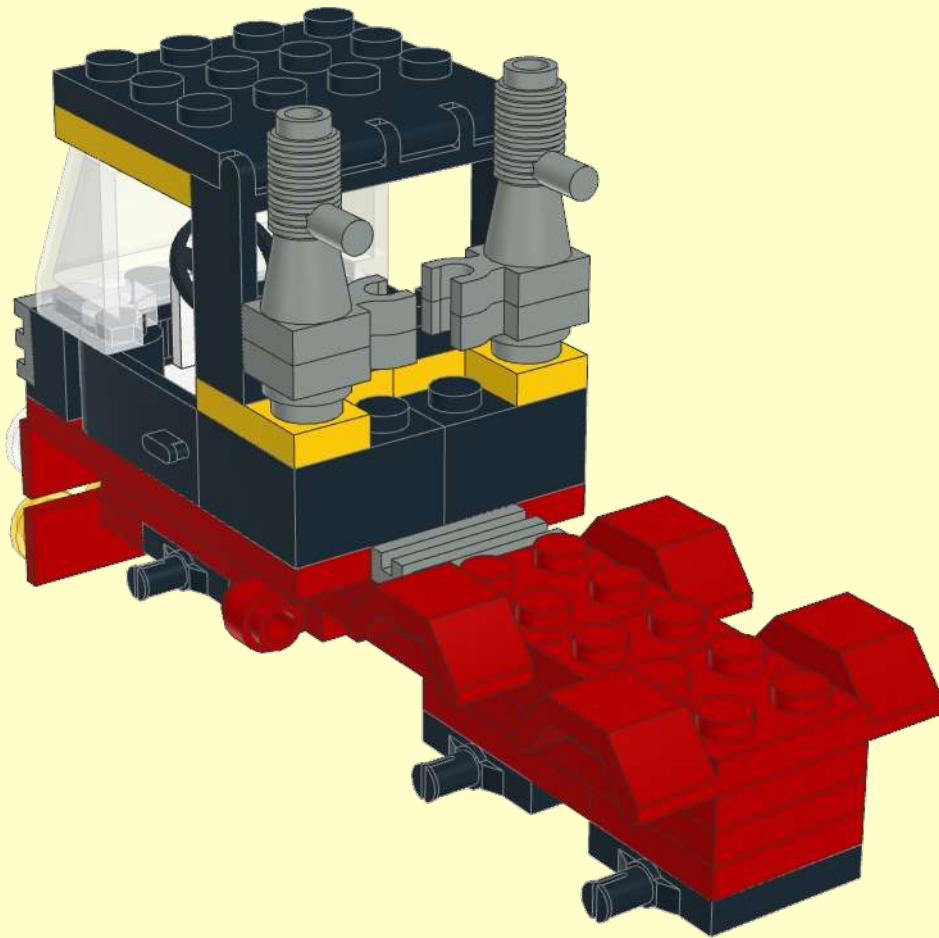
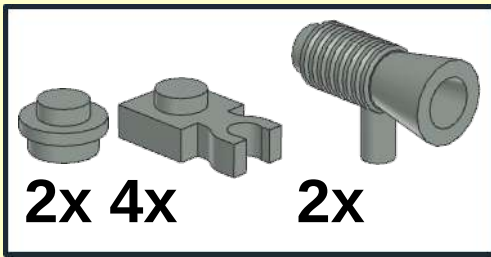
9



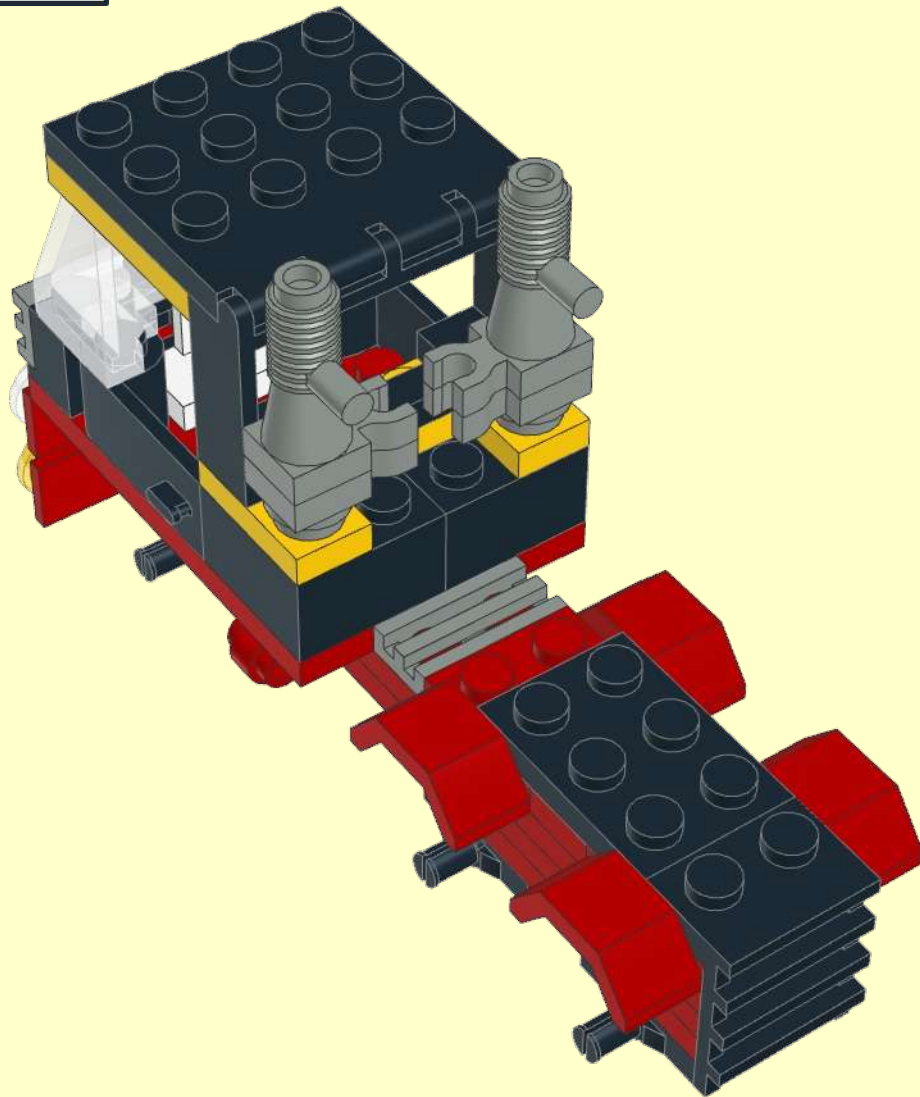
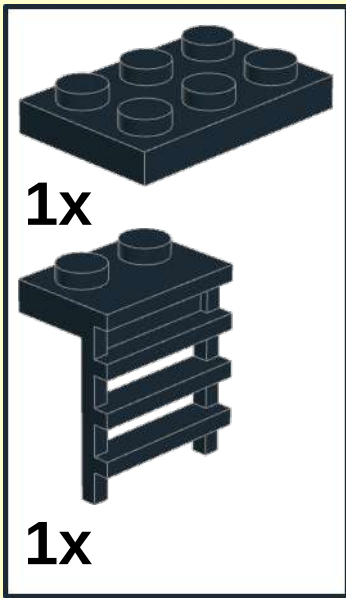
1x      4x 2x



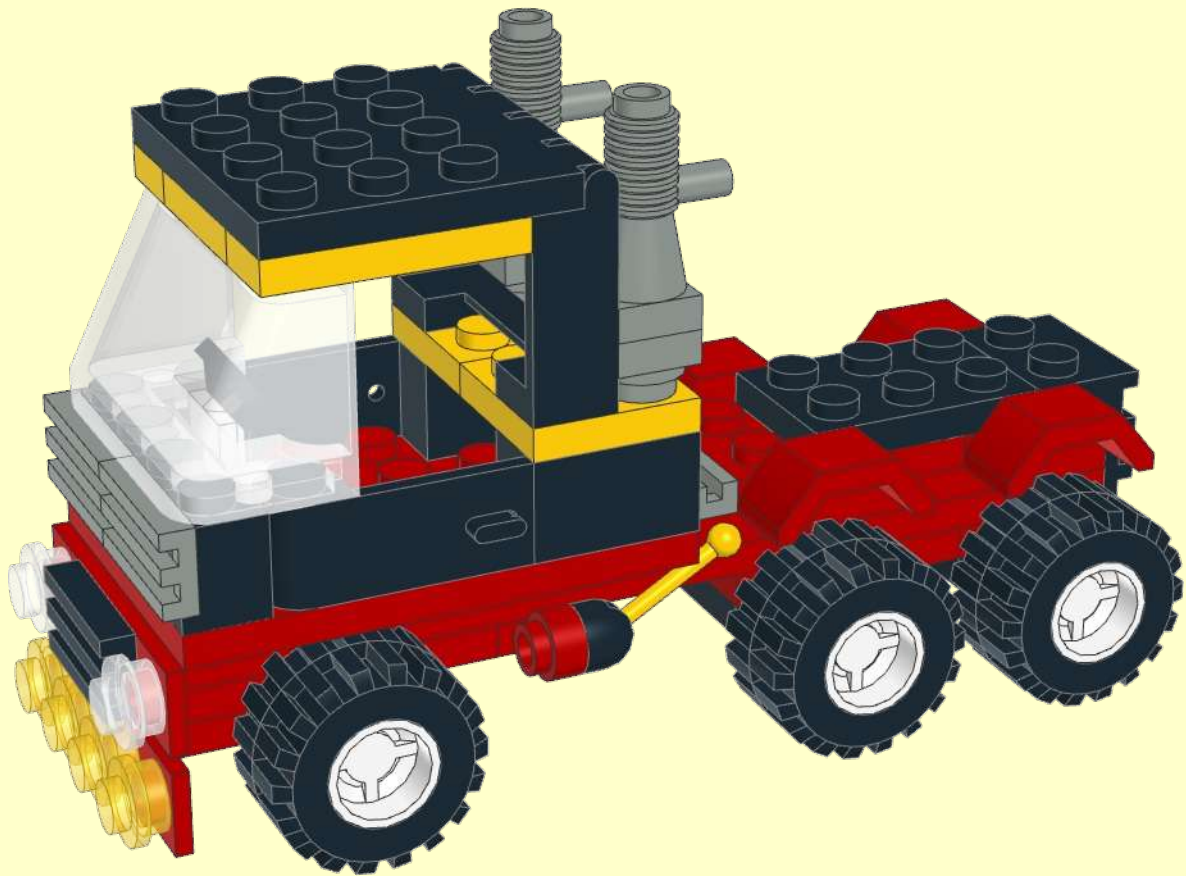
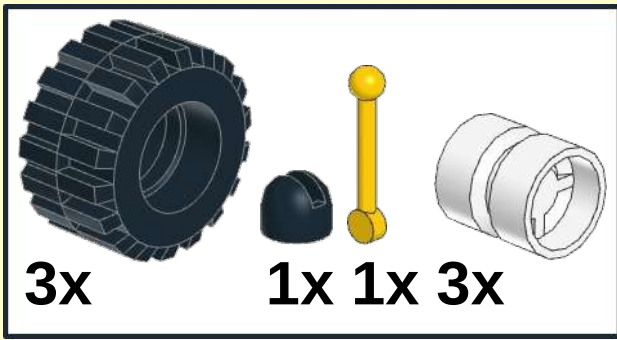
10



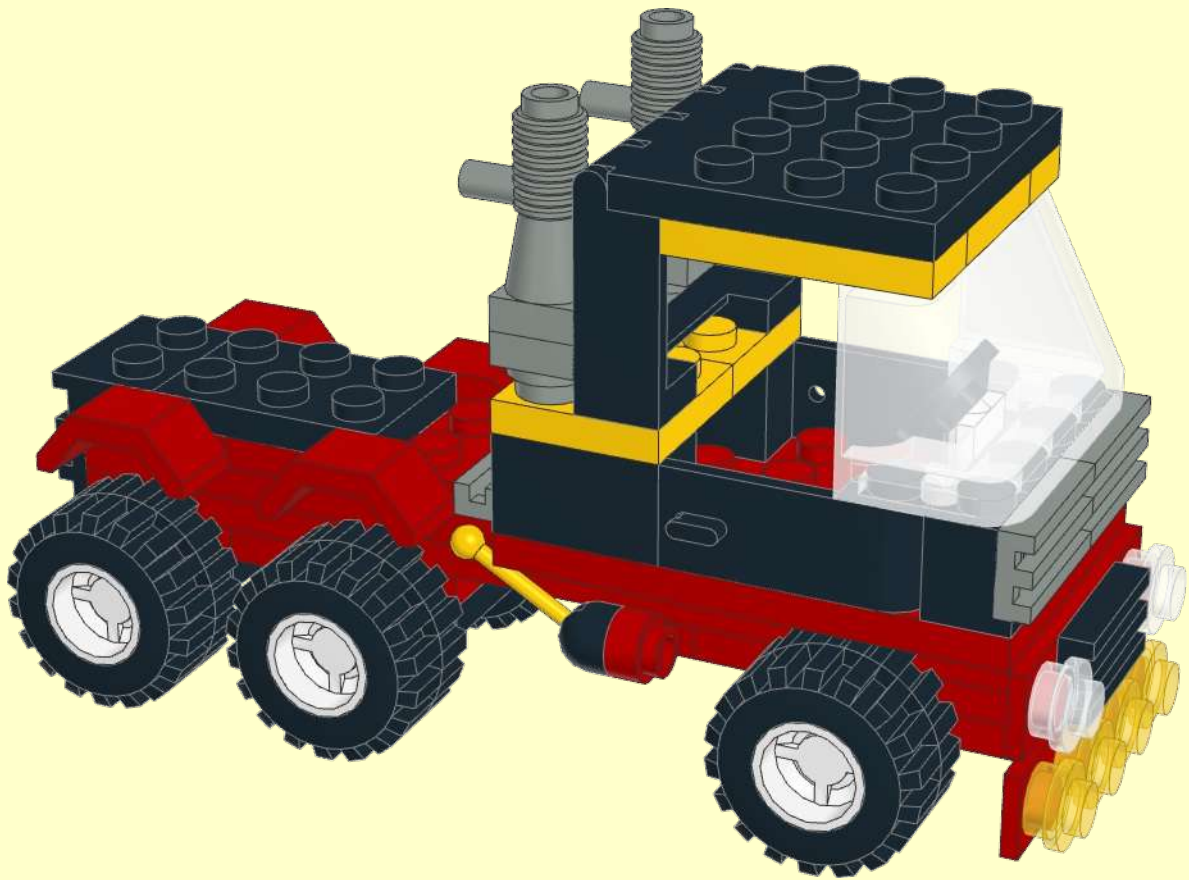
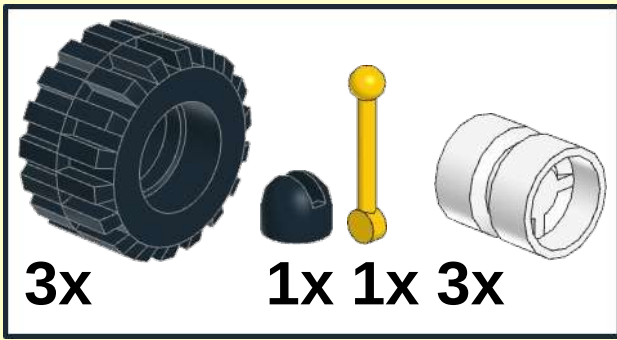
11



12



13



2

