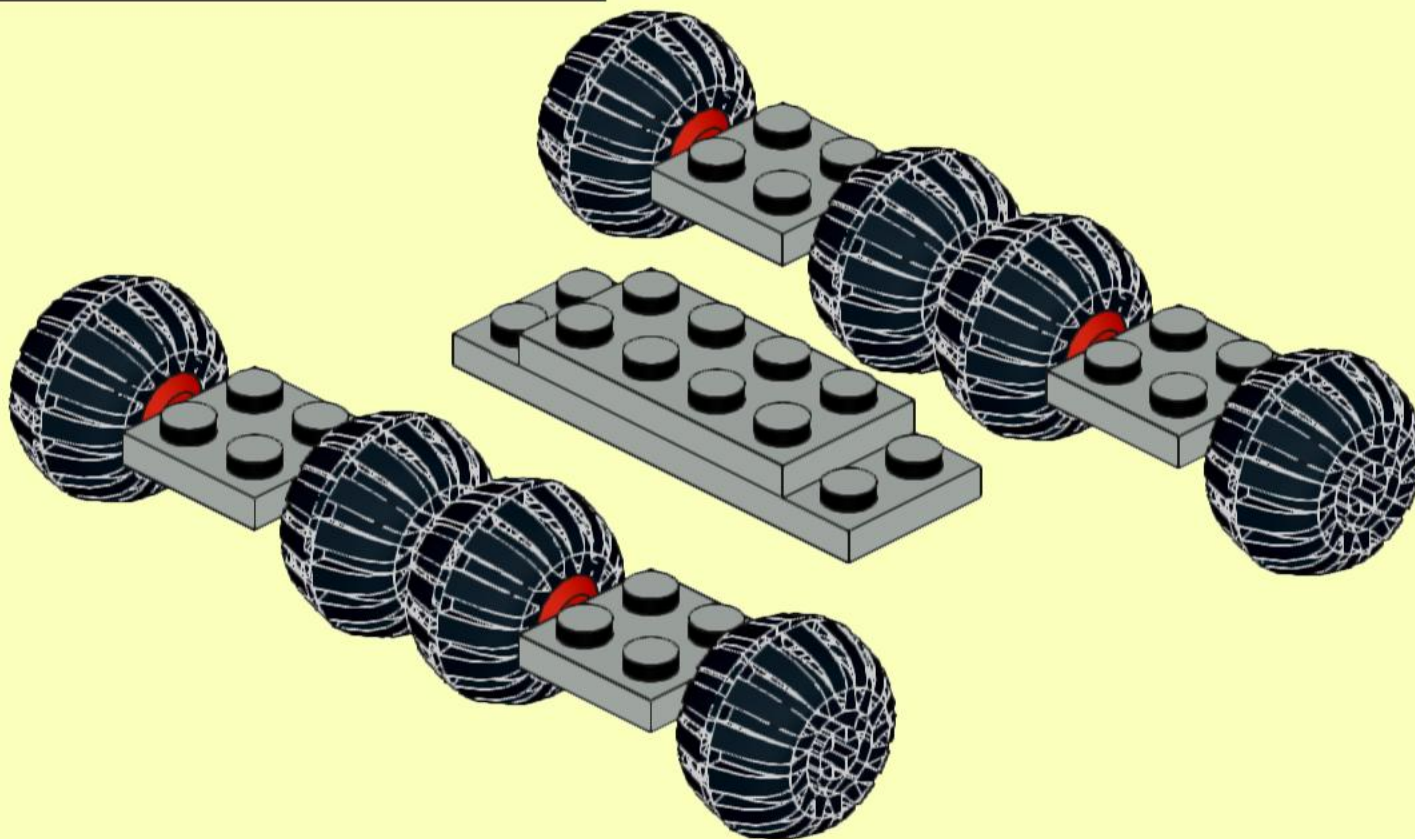
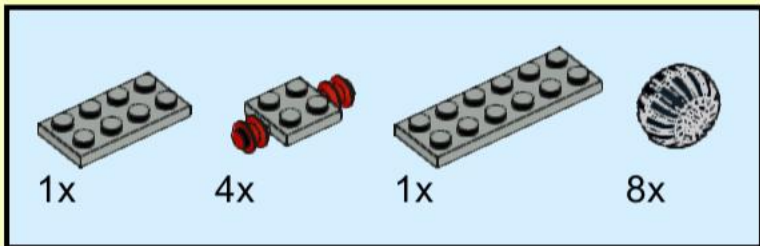
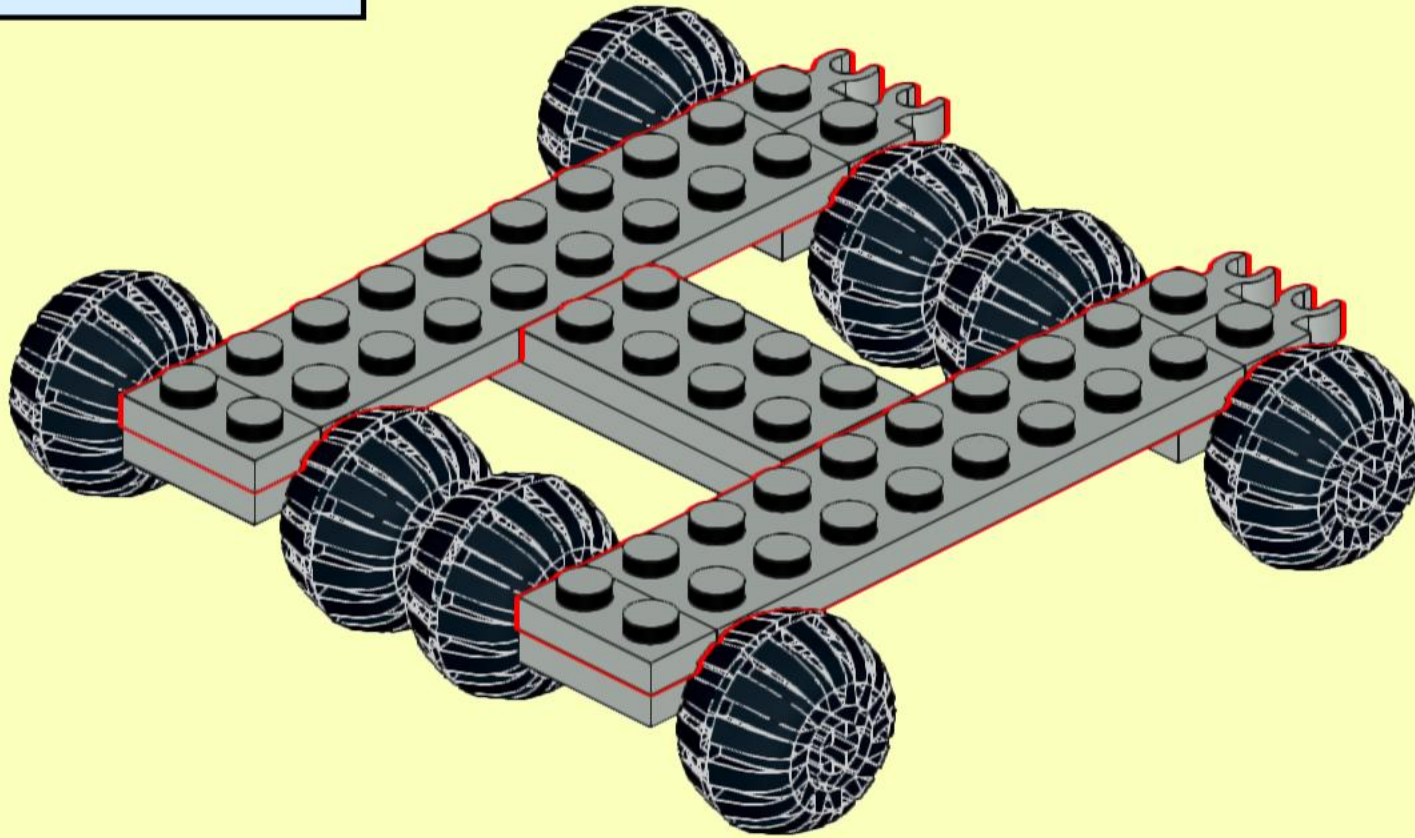
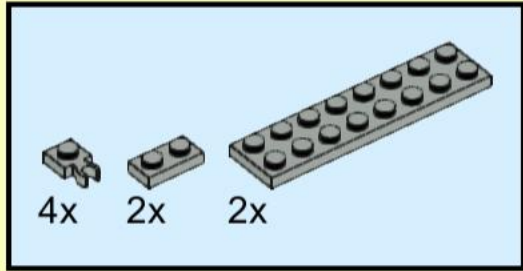


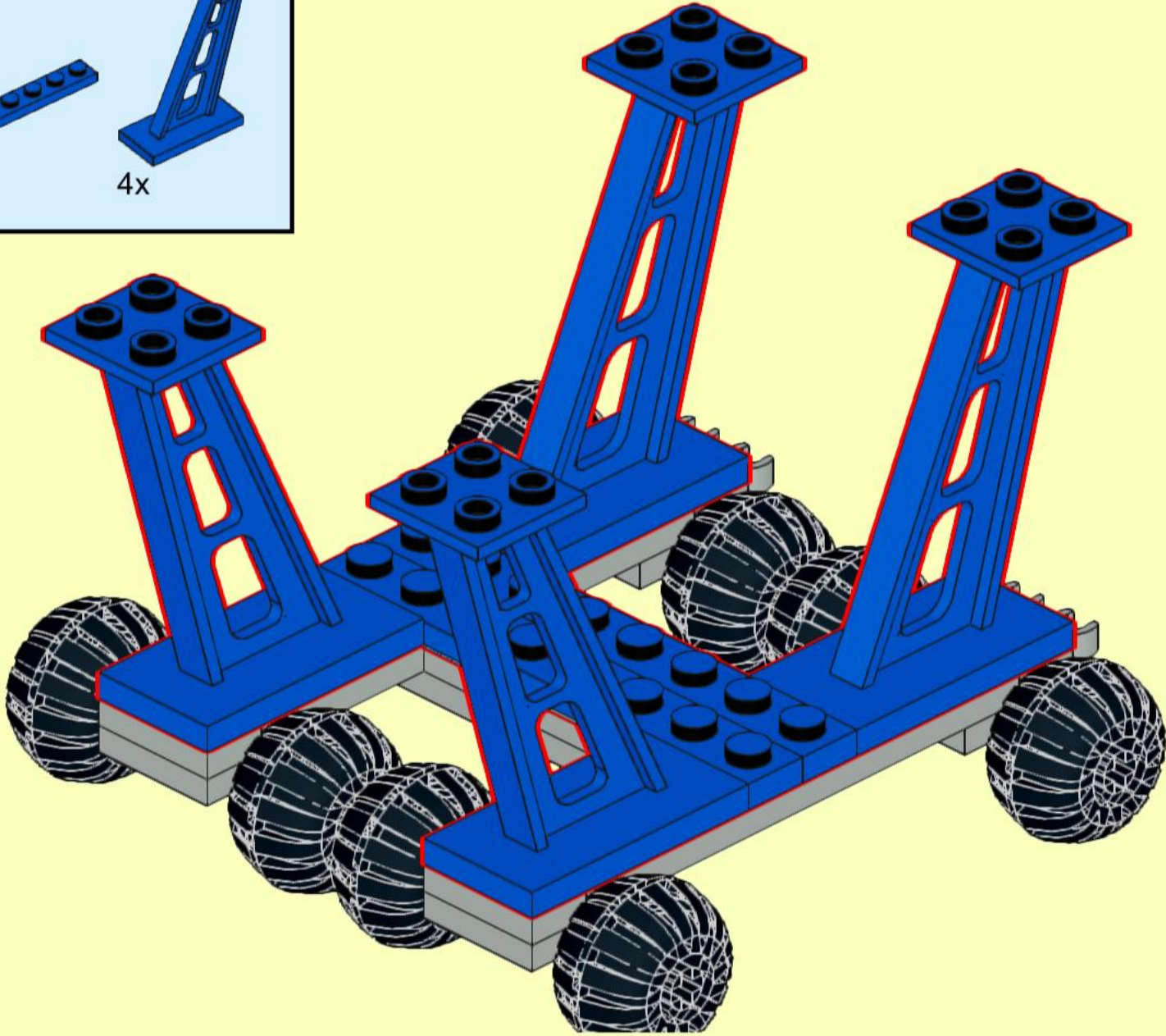
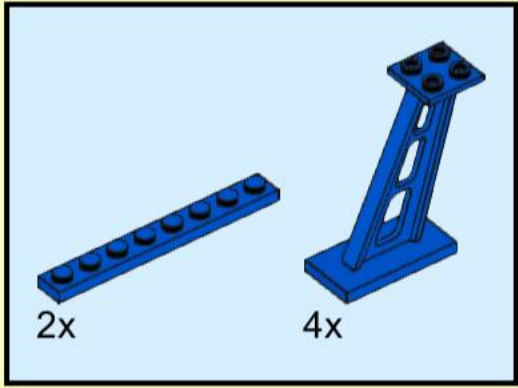
1



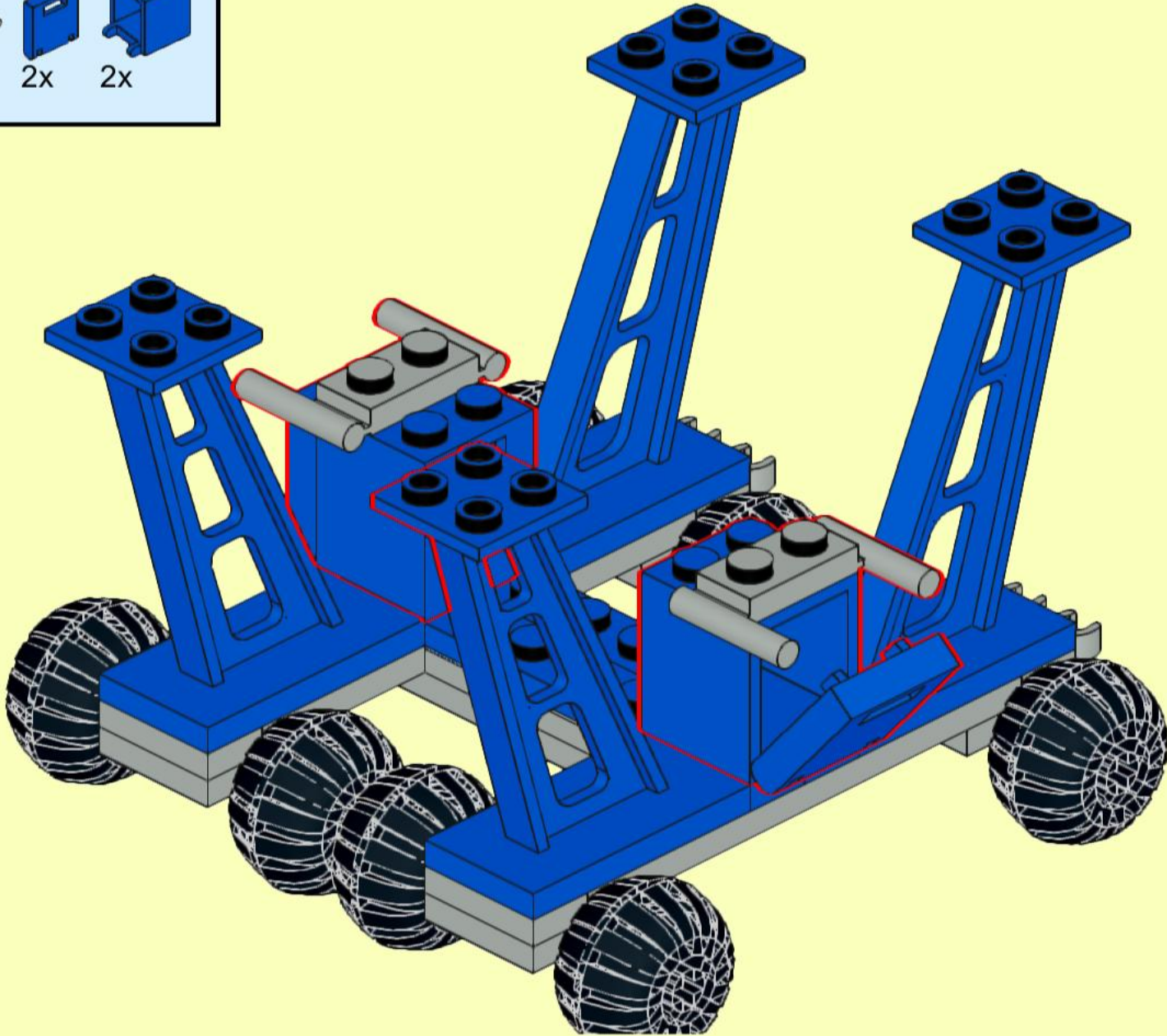
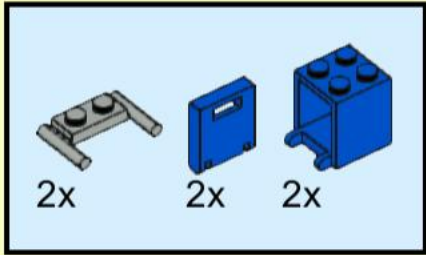
2



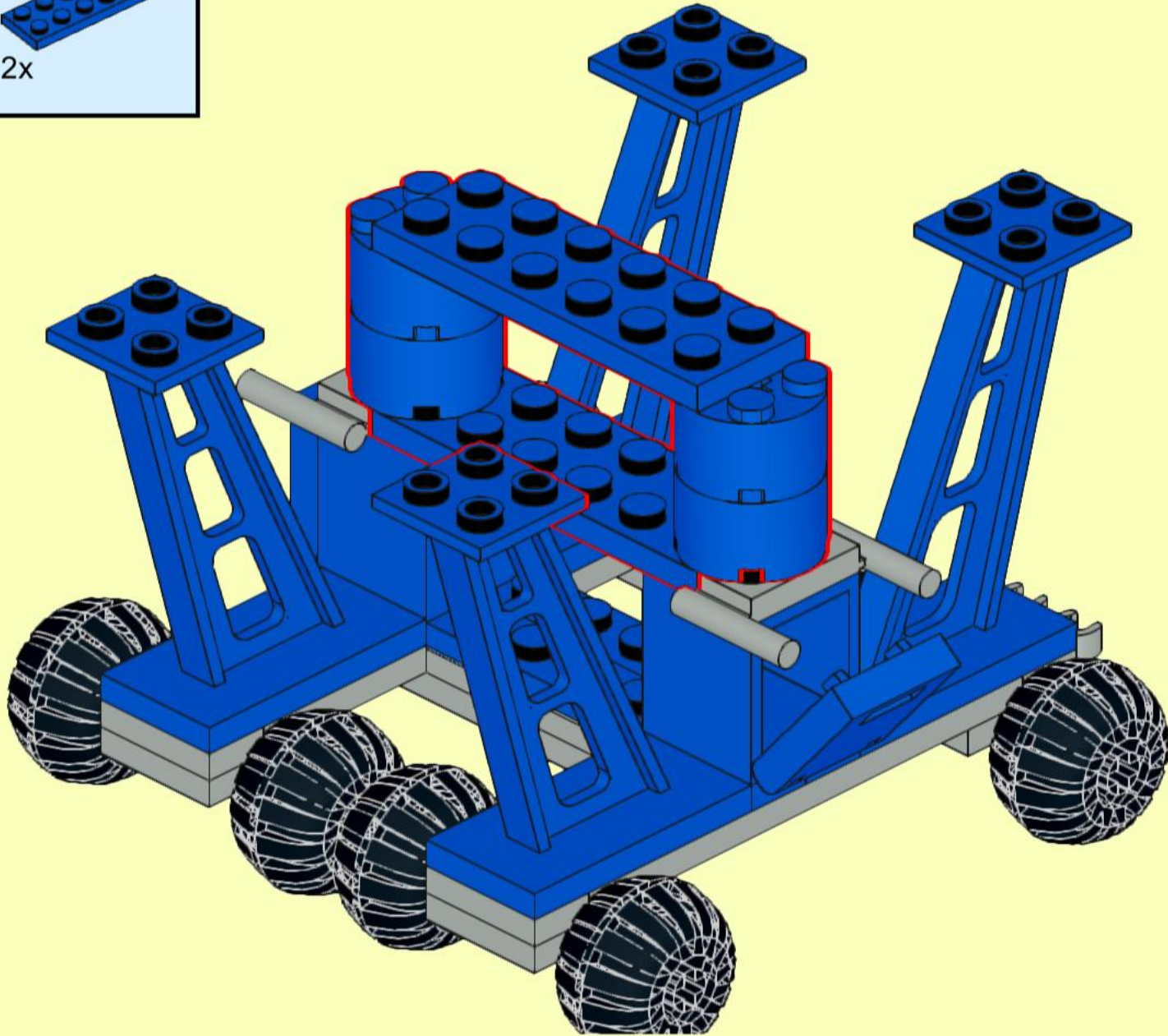
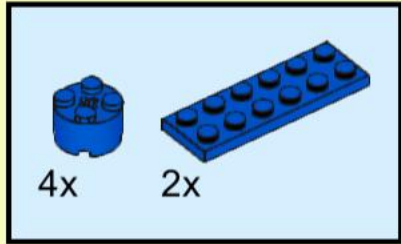
3



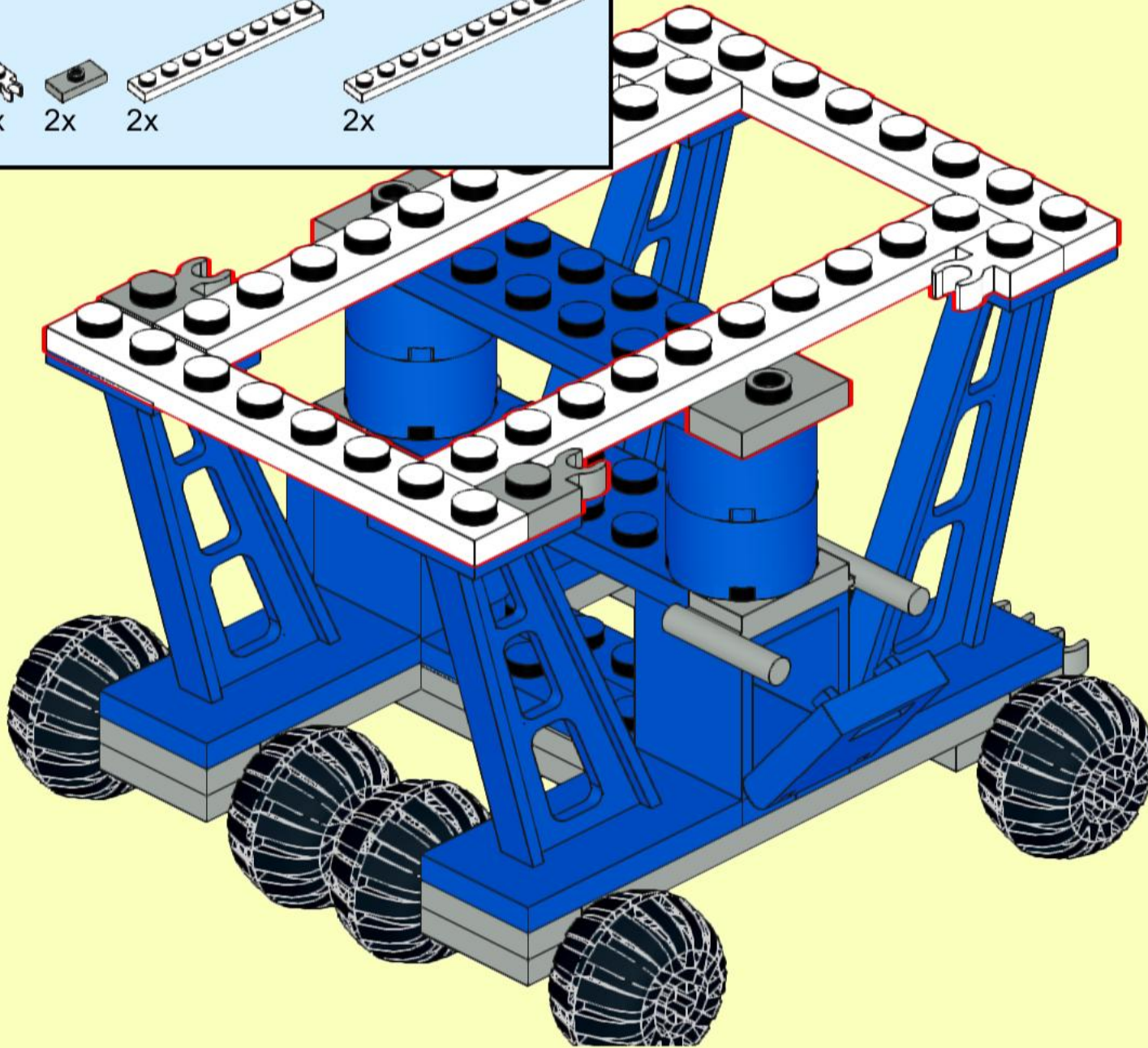
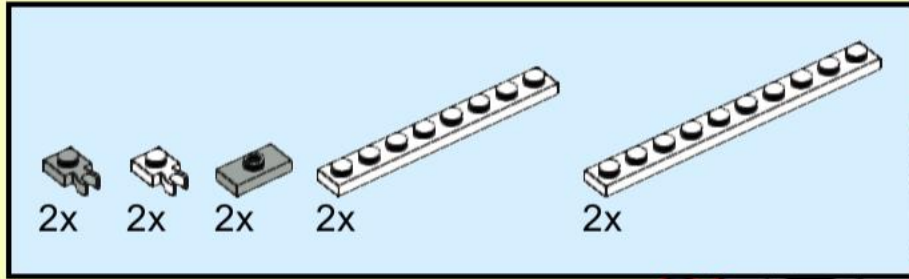
4



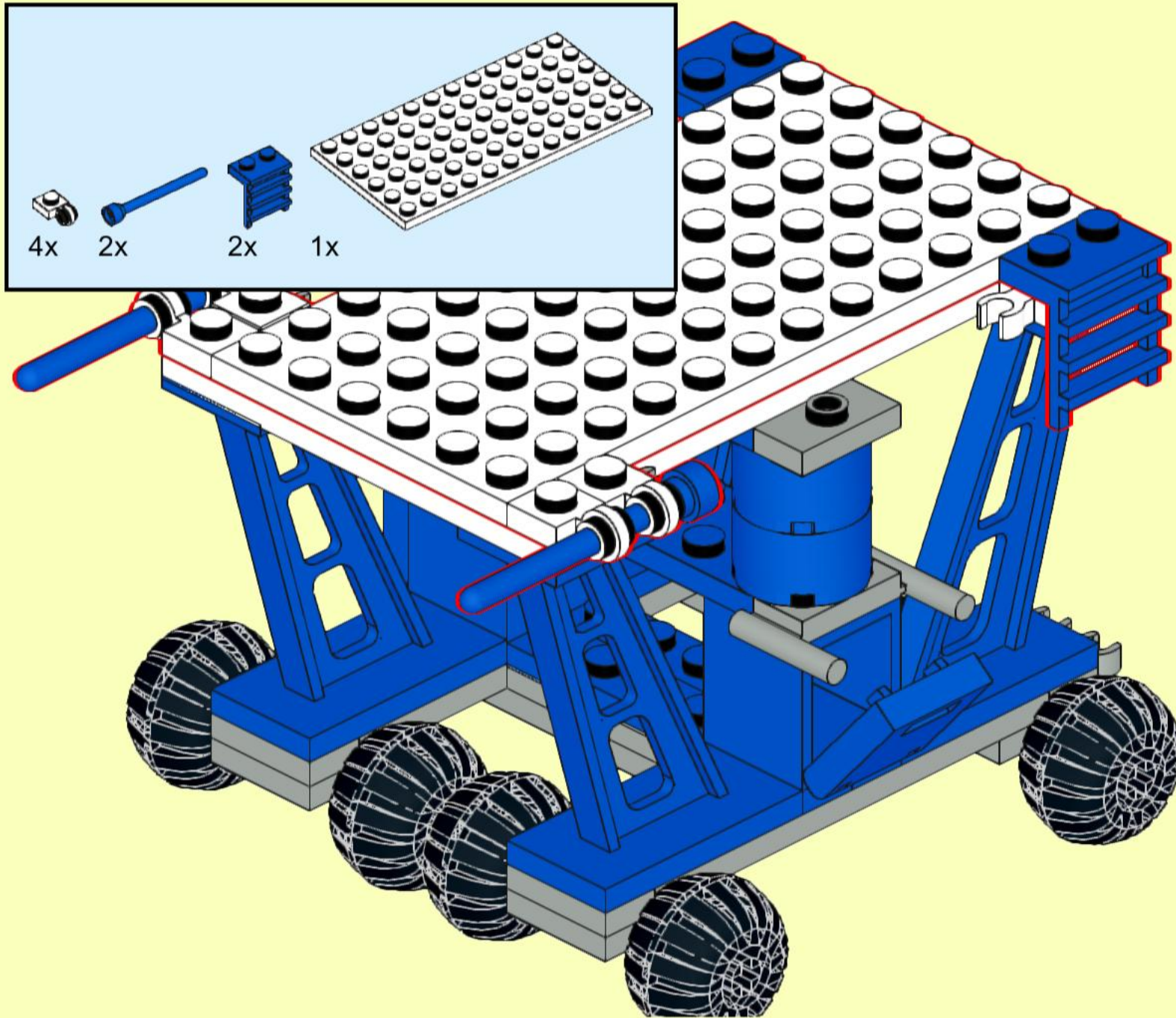
5



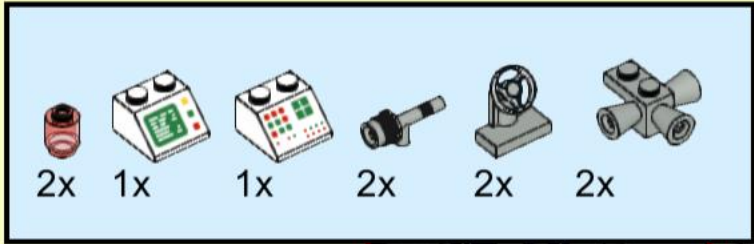
6



7

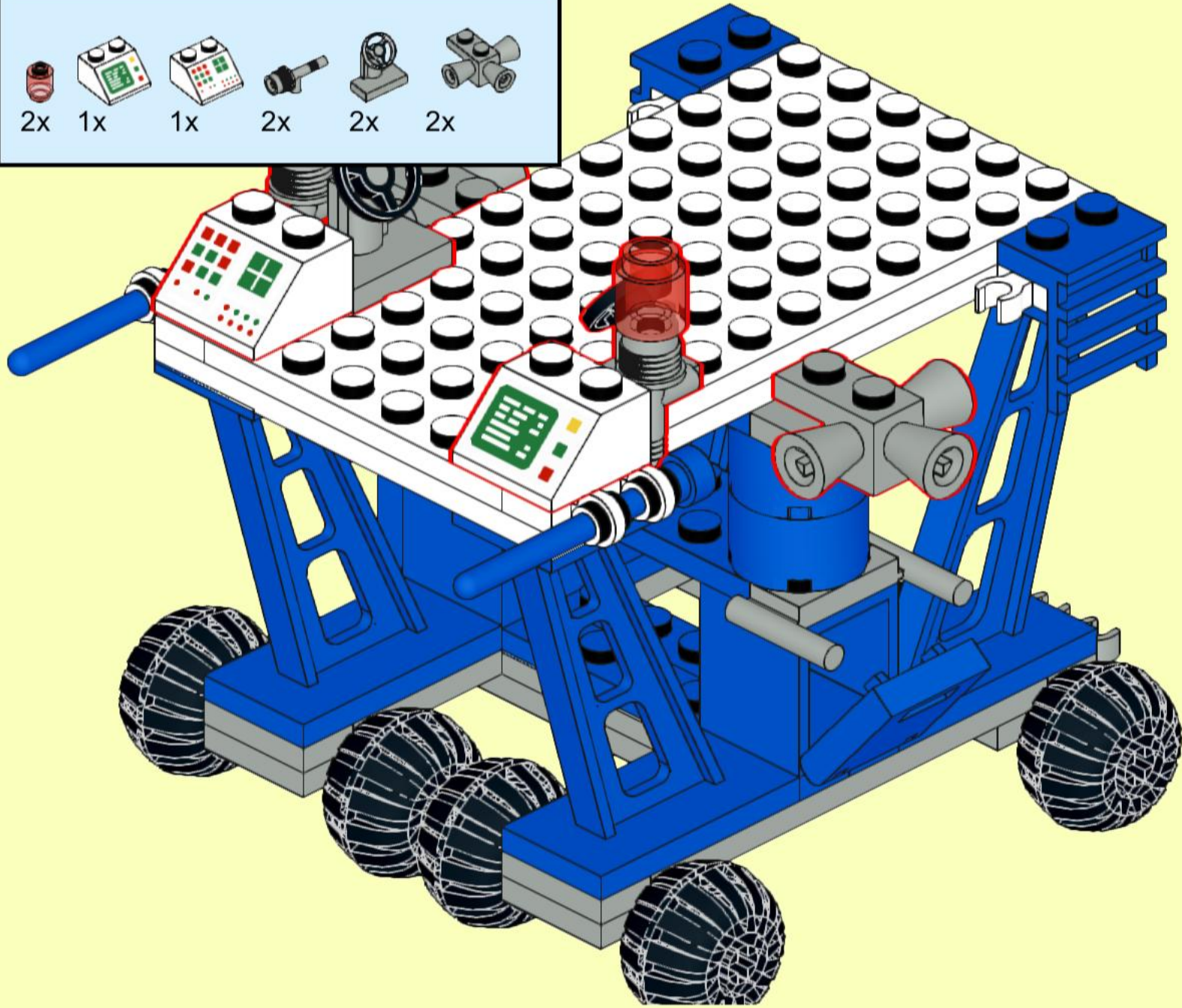


8

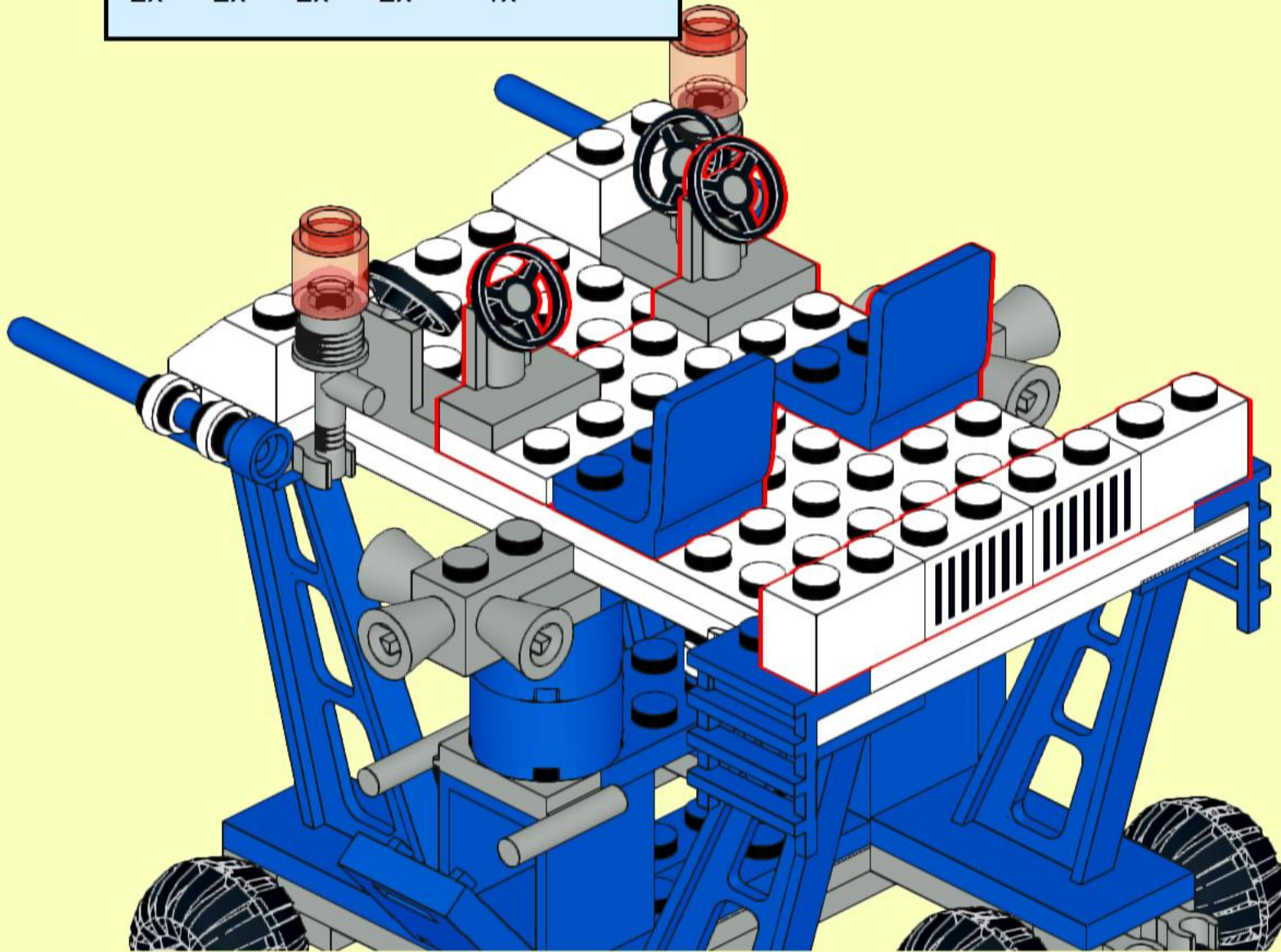
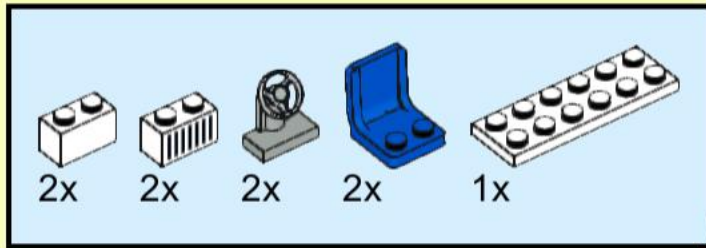


2x 1x 1x 2x 2x 2x

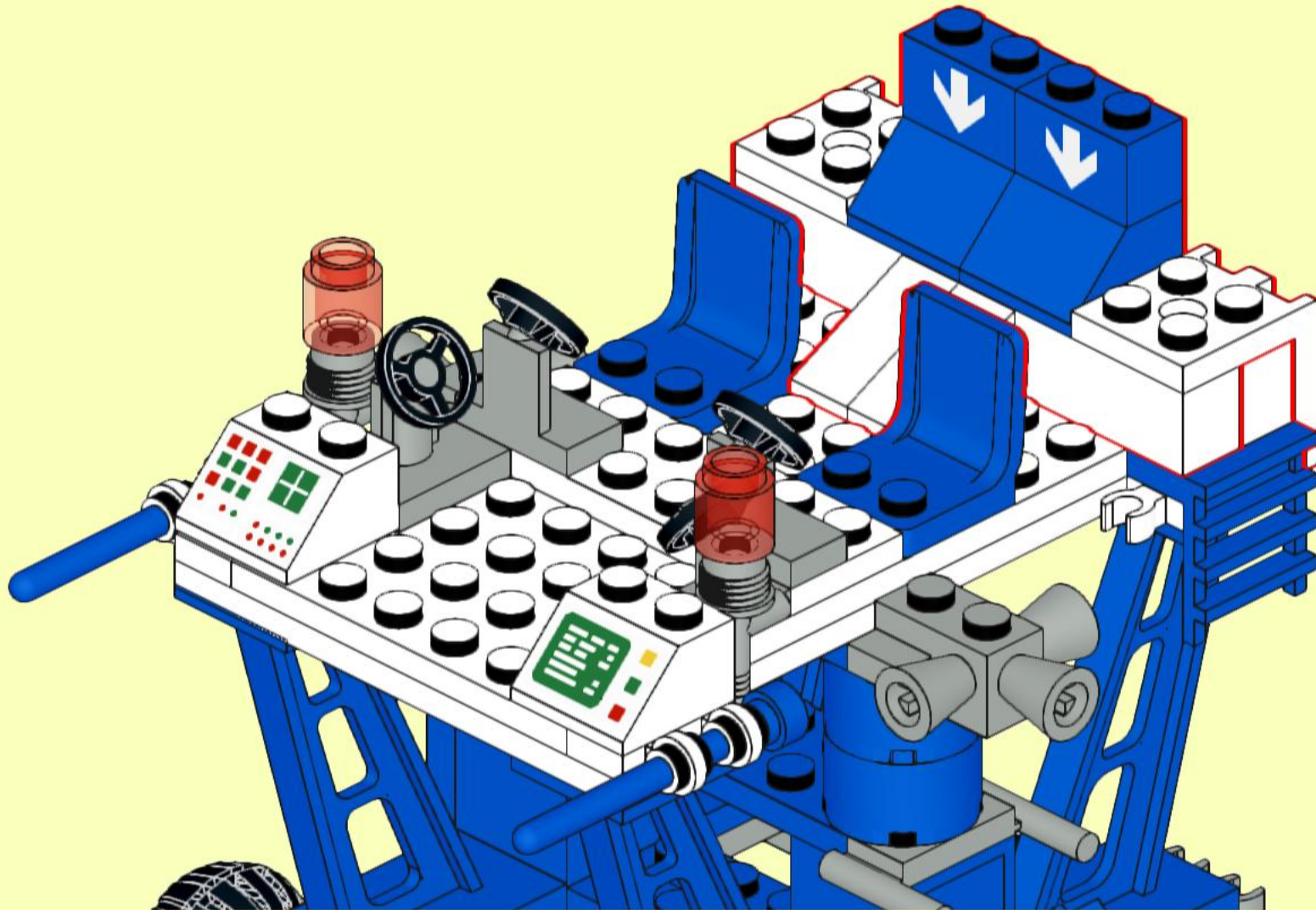
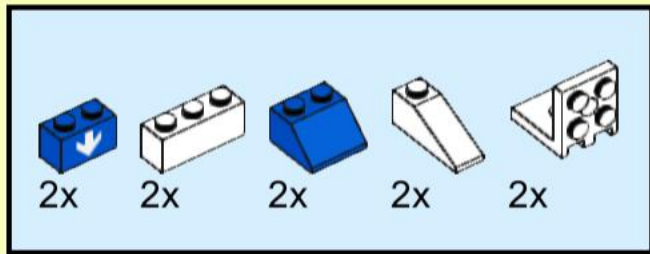
This block contains a parts list for step 8. It lists six items with their respective quantities: a red bush (2x), a white 2-way switch (1x), a white 4-way switch (1x), a grey axle pin (2x), a grey axle connector (2x), and a grey 3-way connector (2x). Each item is accompanied by a small icon representing the part.



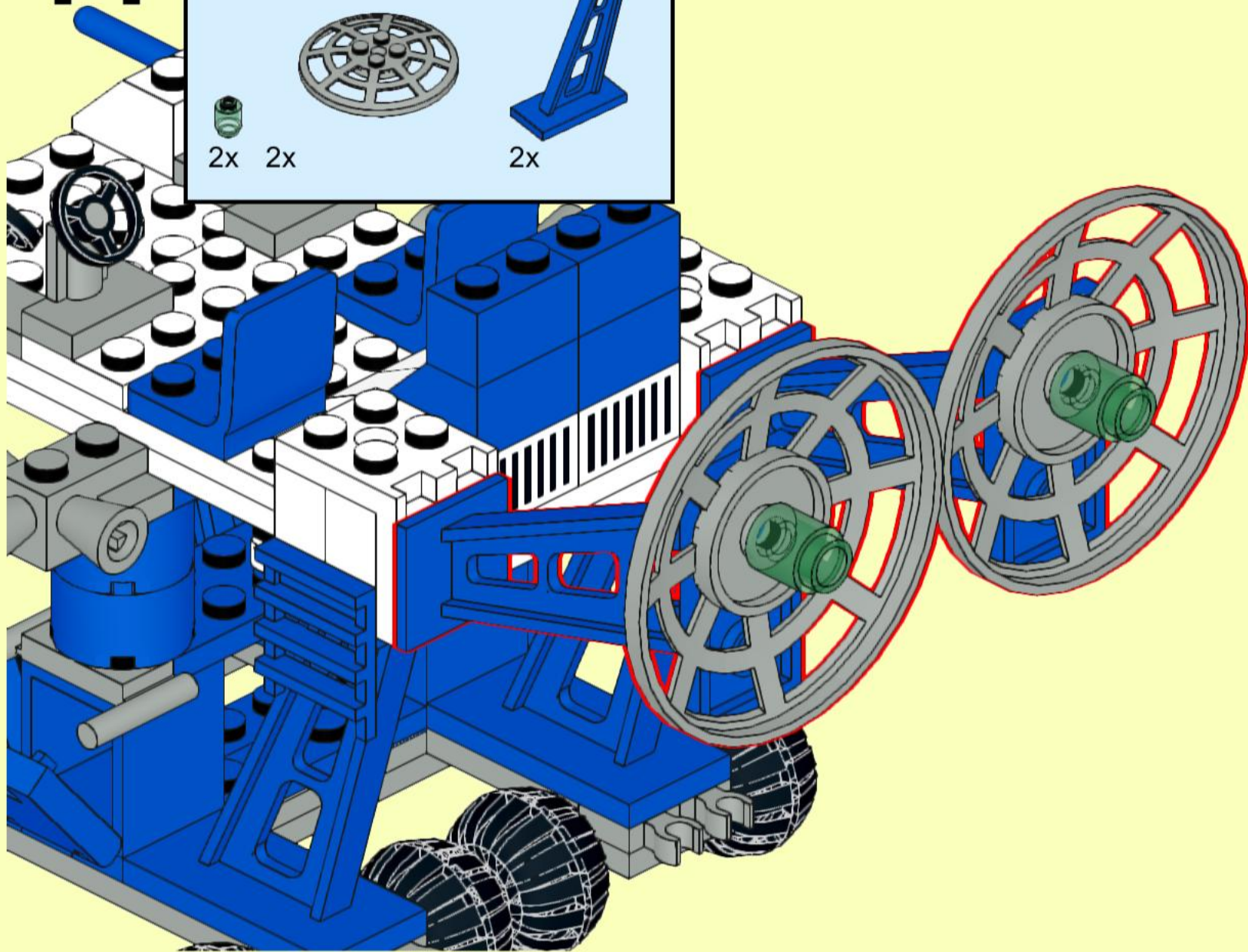
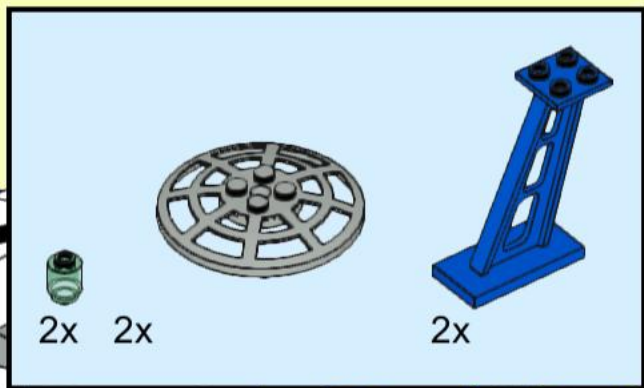
9



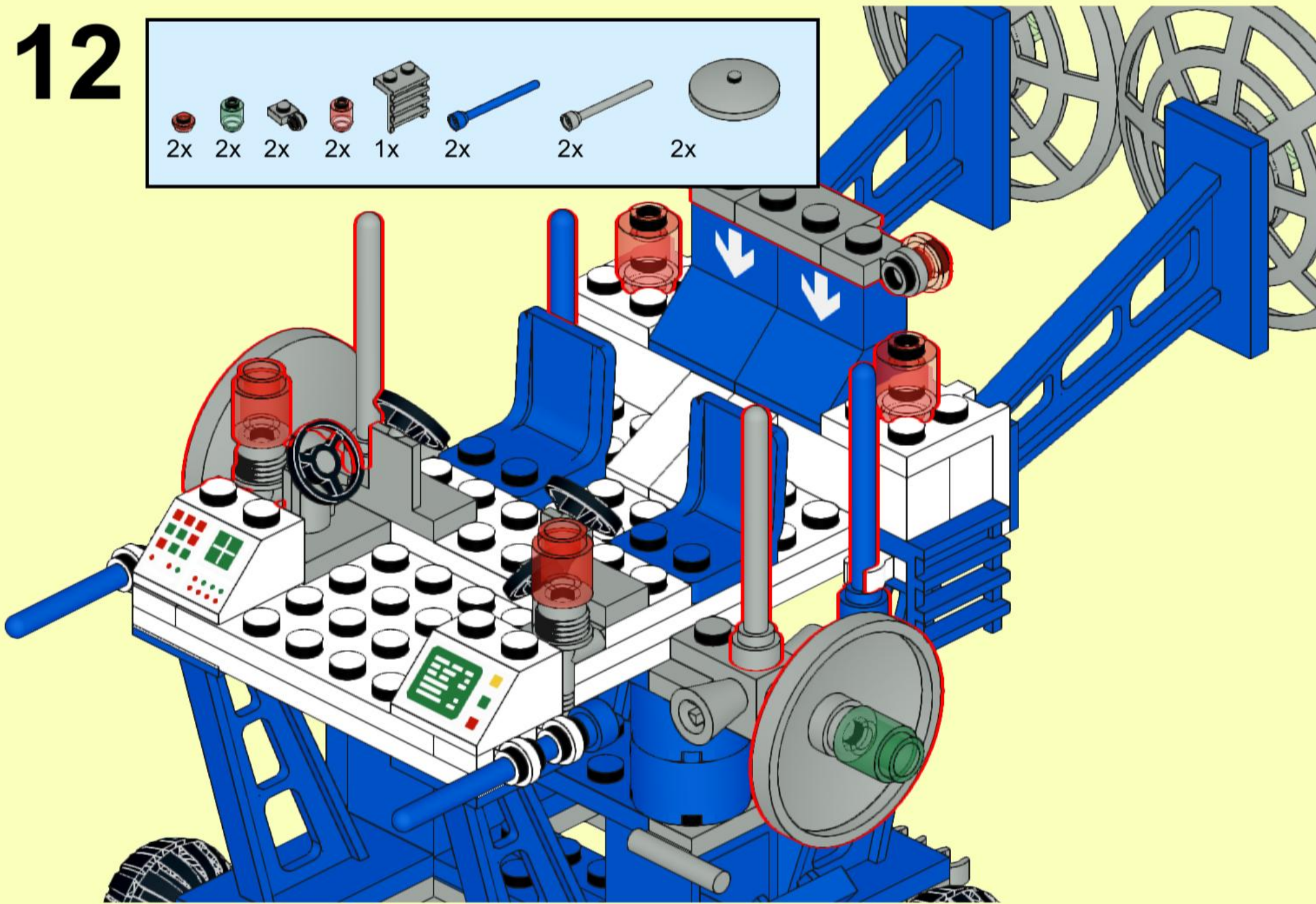
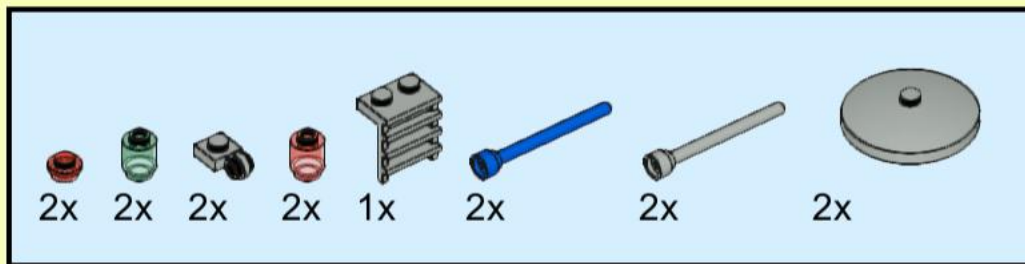
10



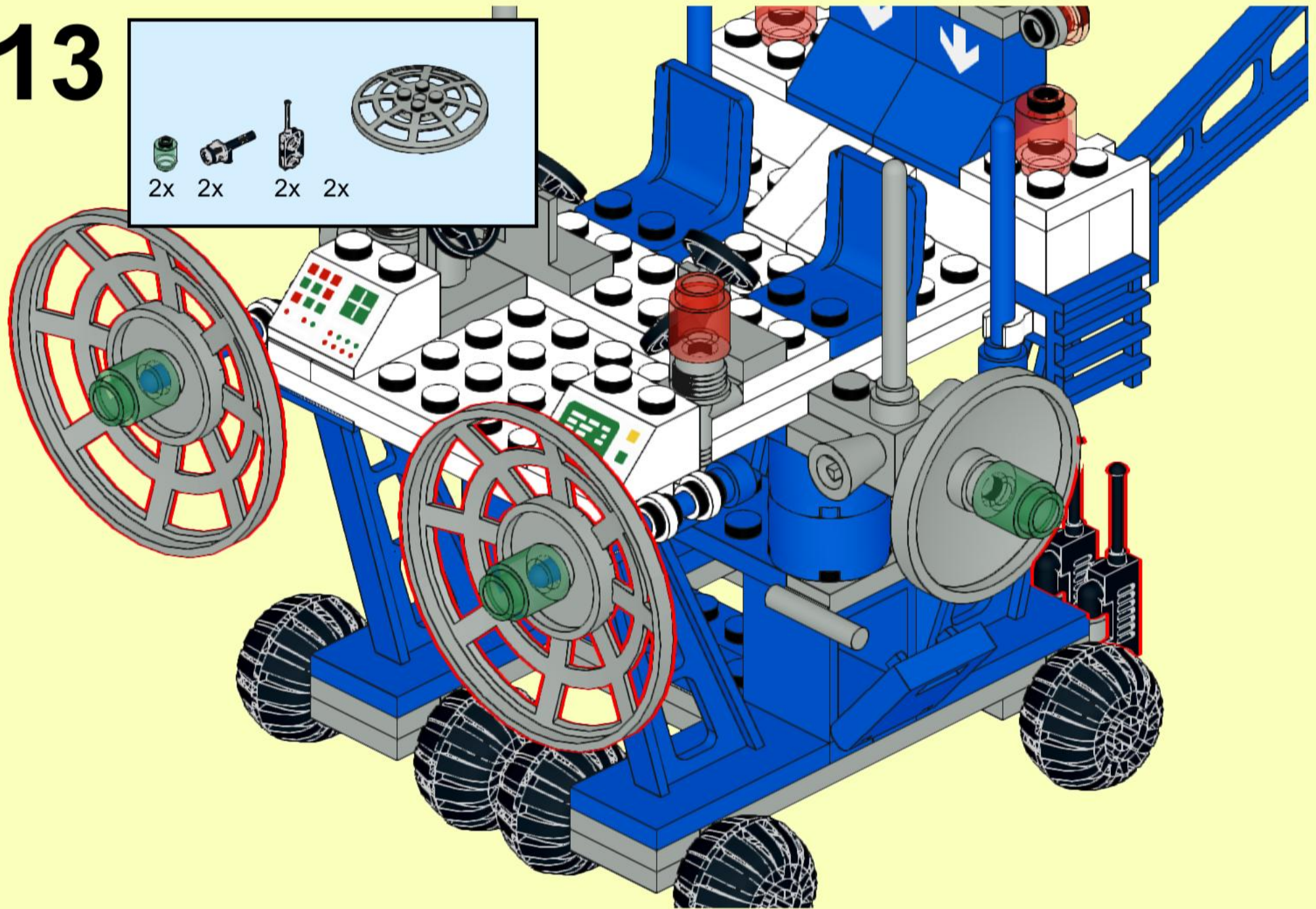
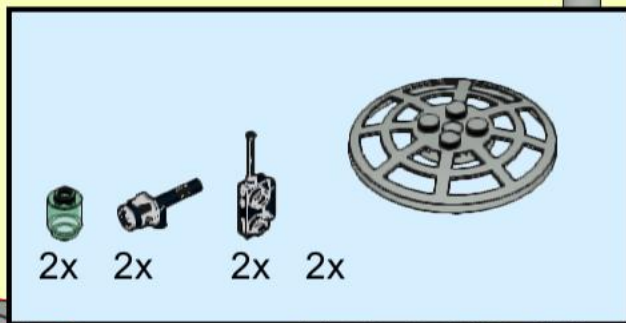
11



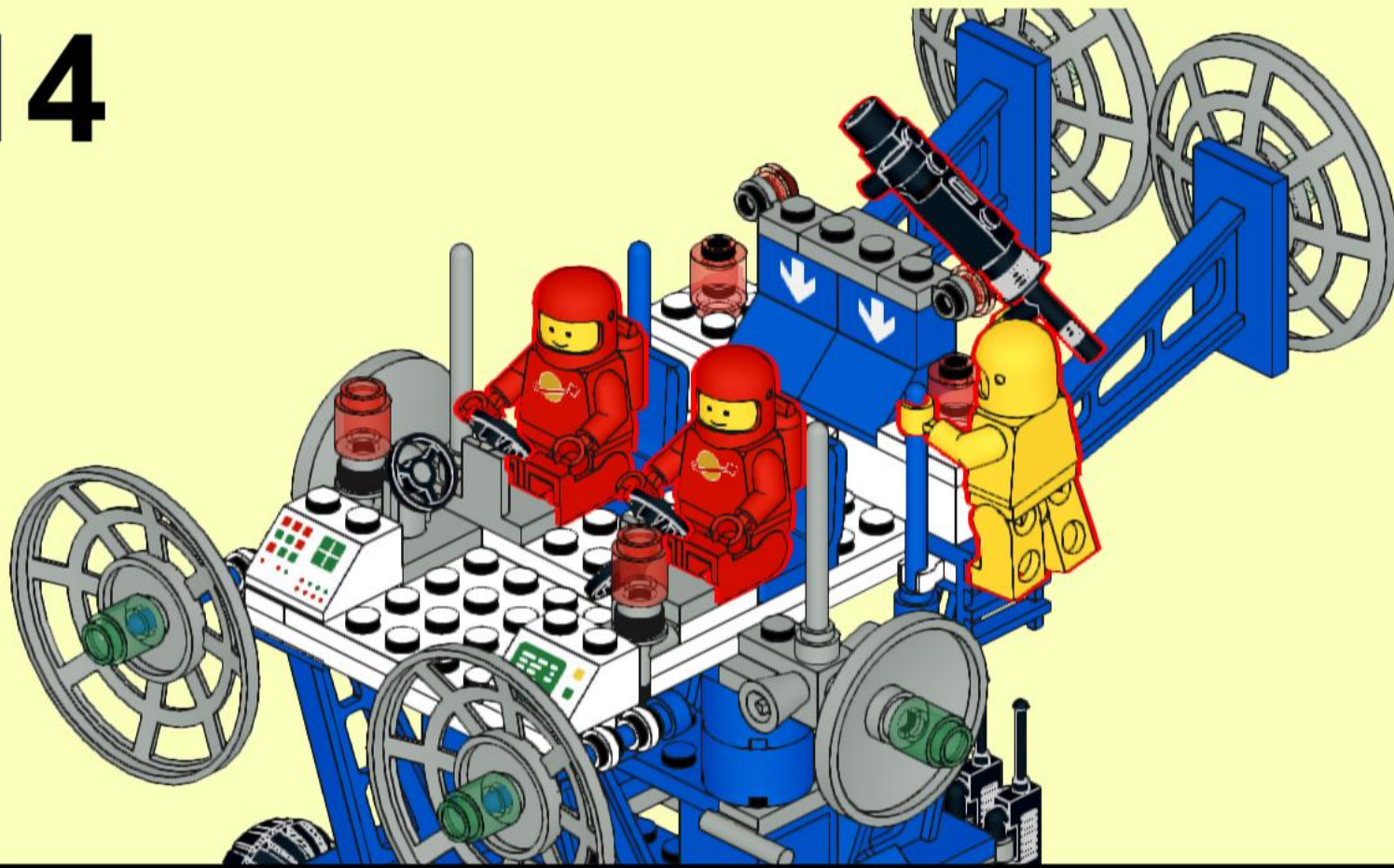
12




13



14



																					
4x	4x	2x	2x	2x	4x	1x	2x	2x	2x	2x	2x	2x	2x	2x	1x	1x	2x	2x	1x	1x	1x
																					
1x	1x																				

15

