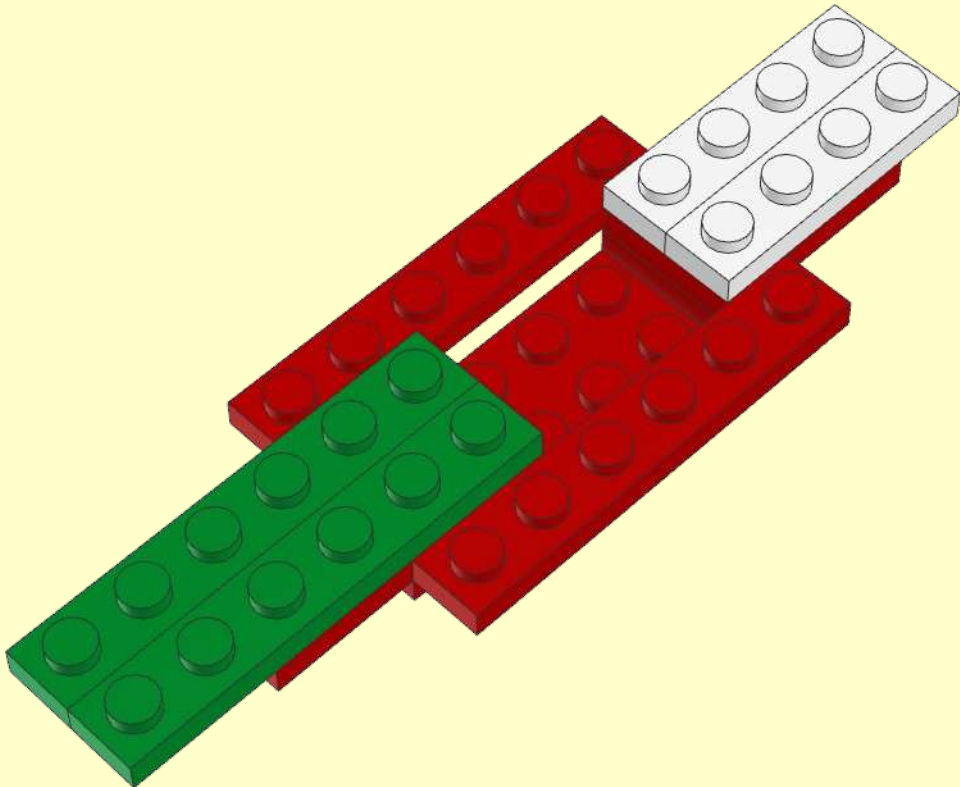
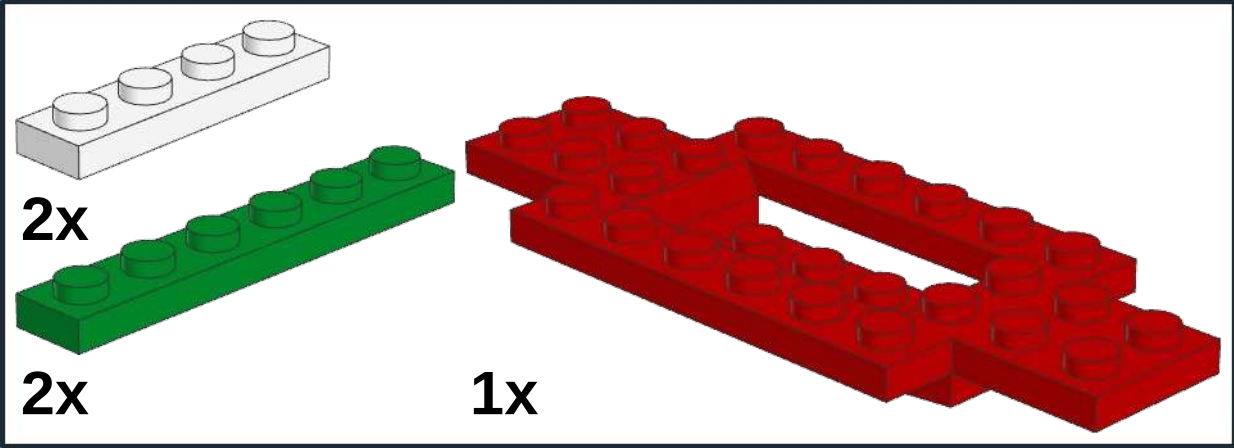
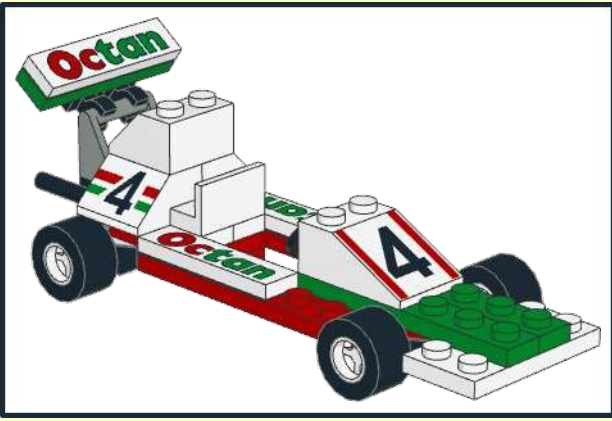
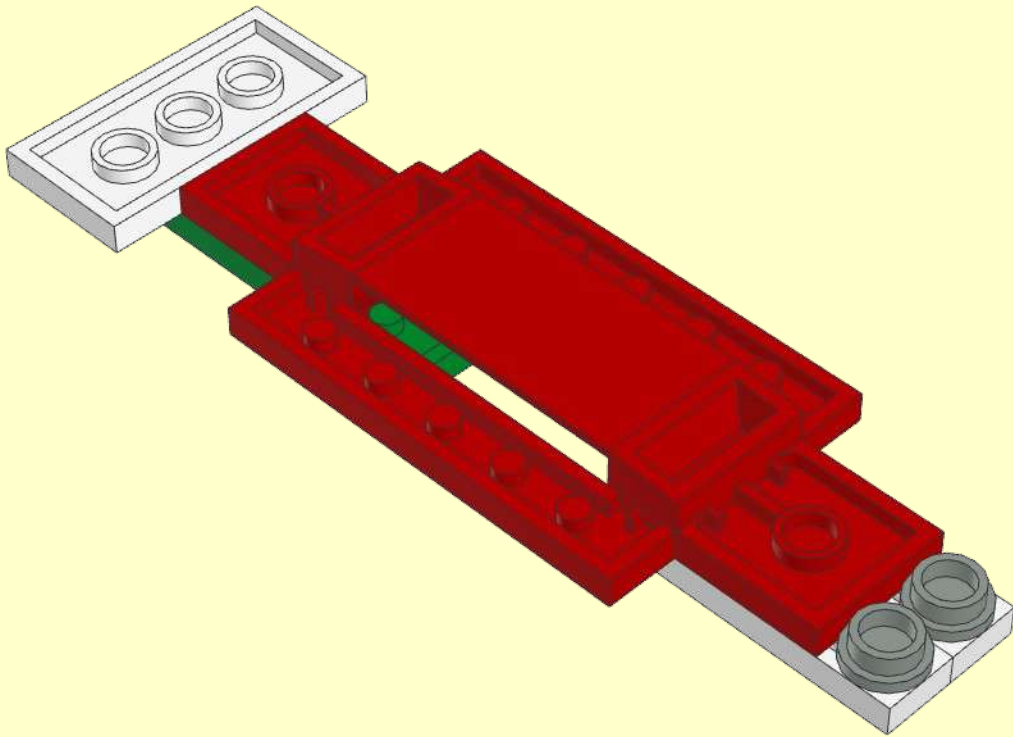
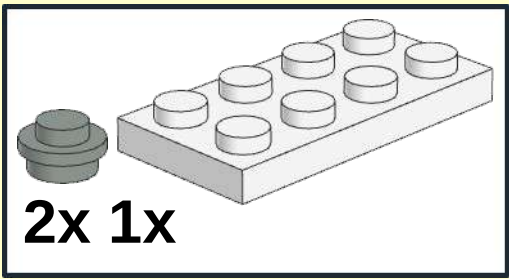


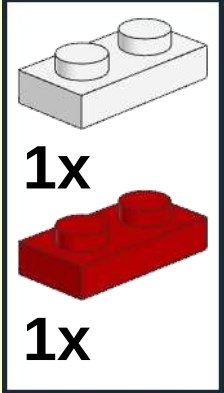
1



2

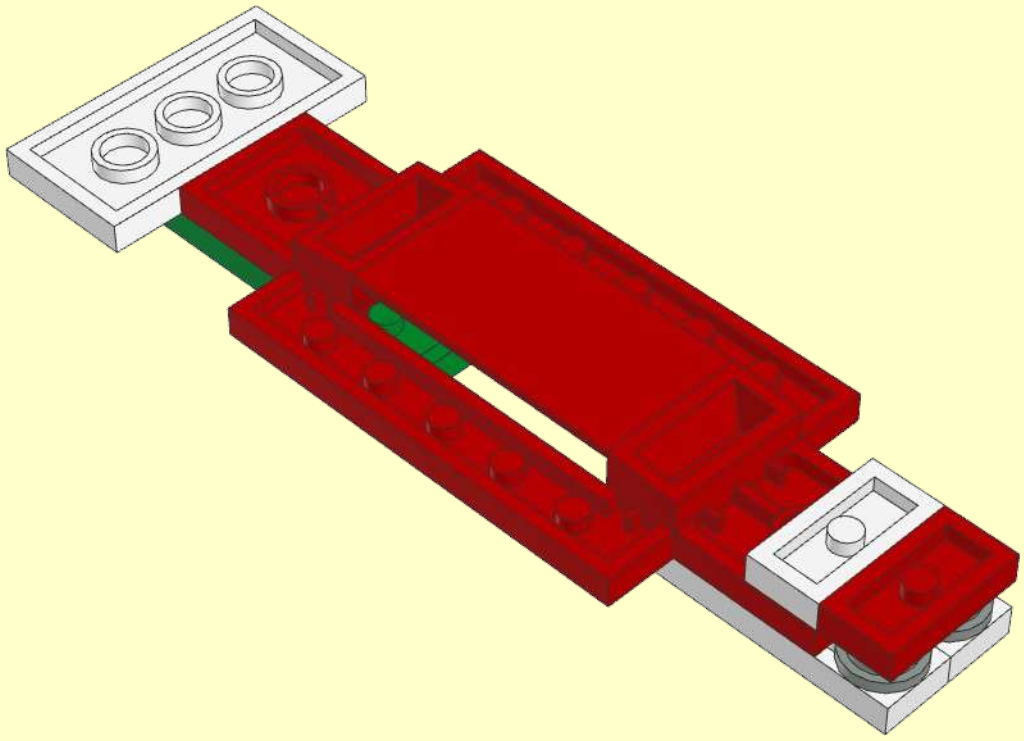


3

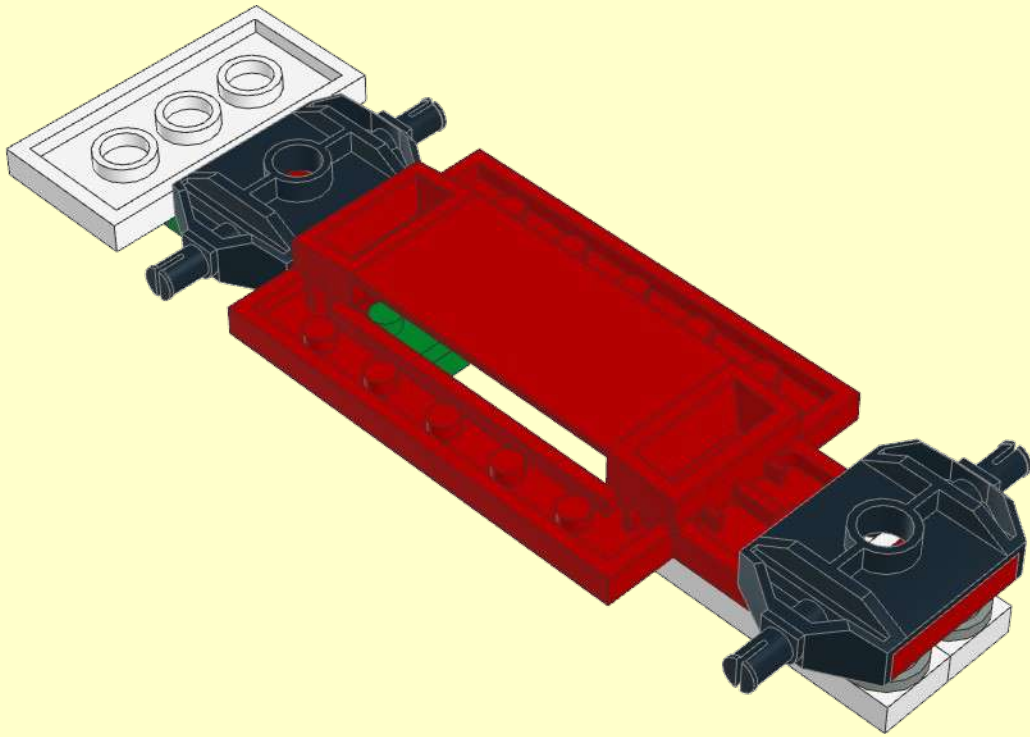
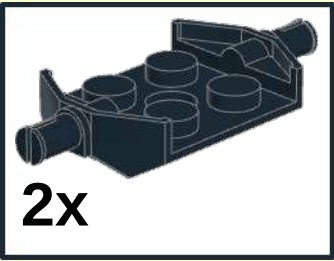


1x

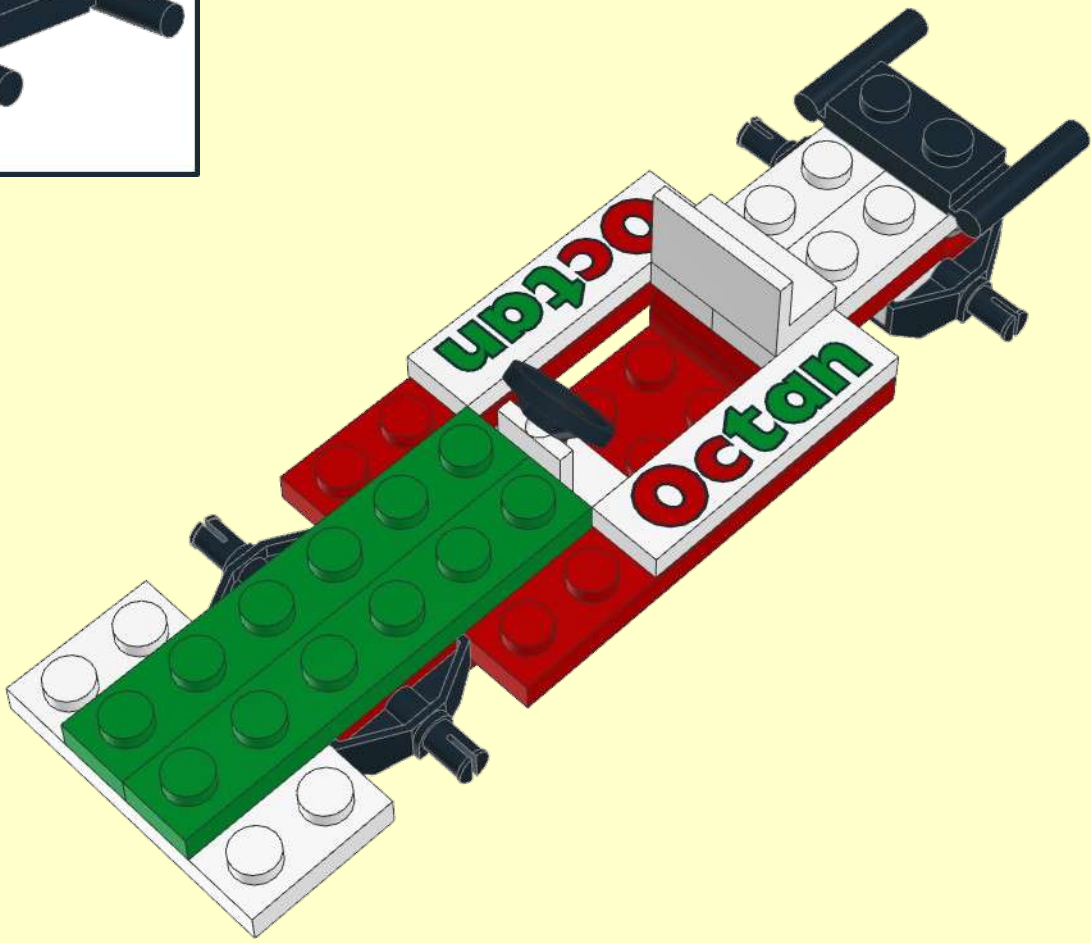
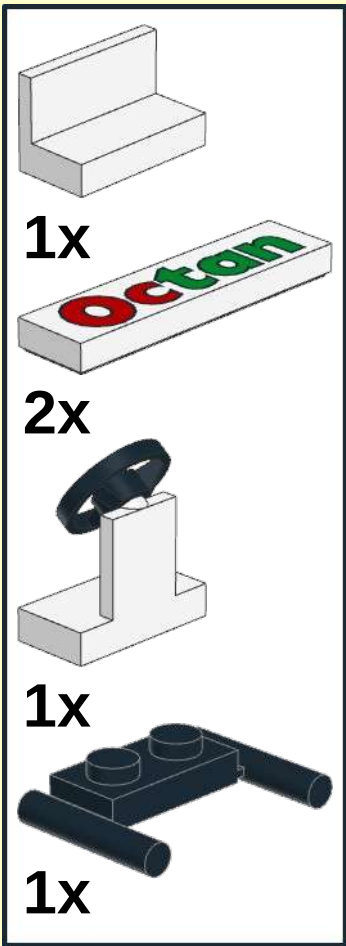
1x



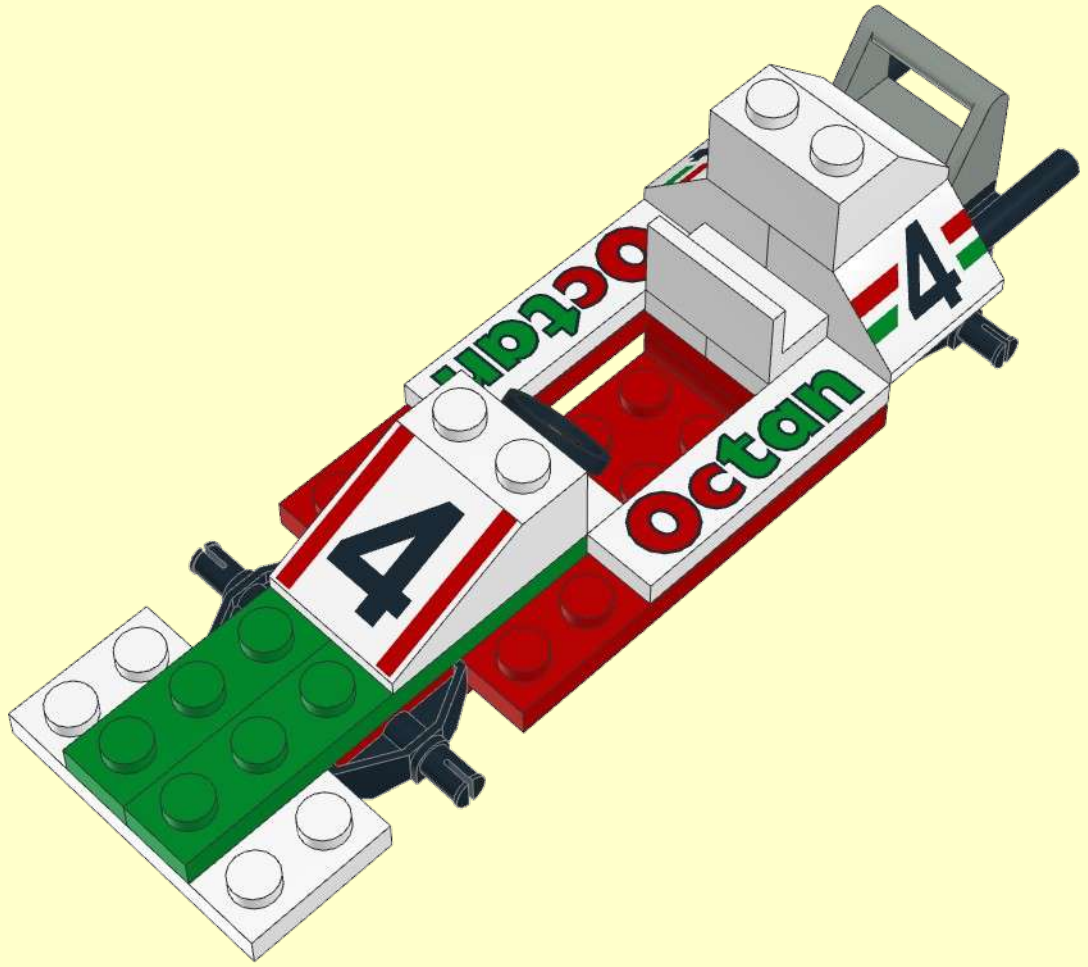
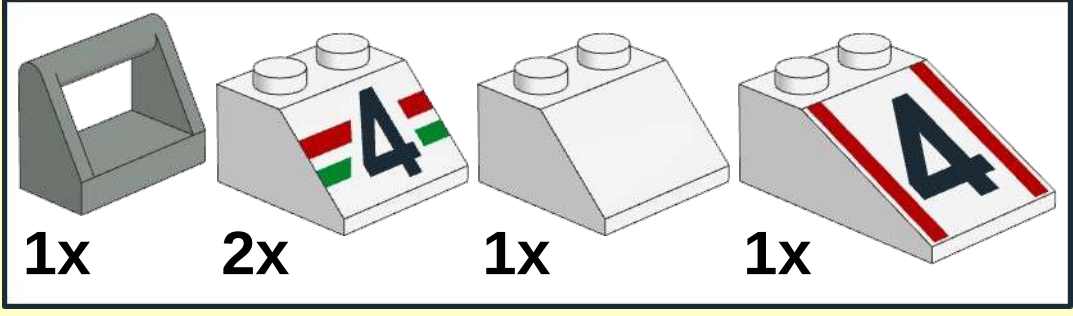
4



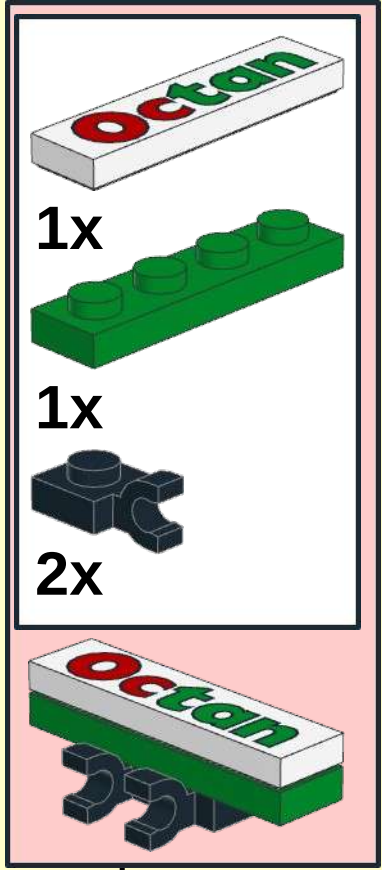
5



6

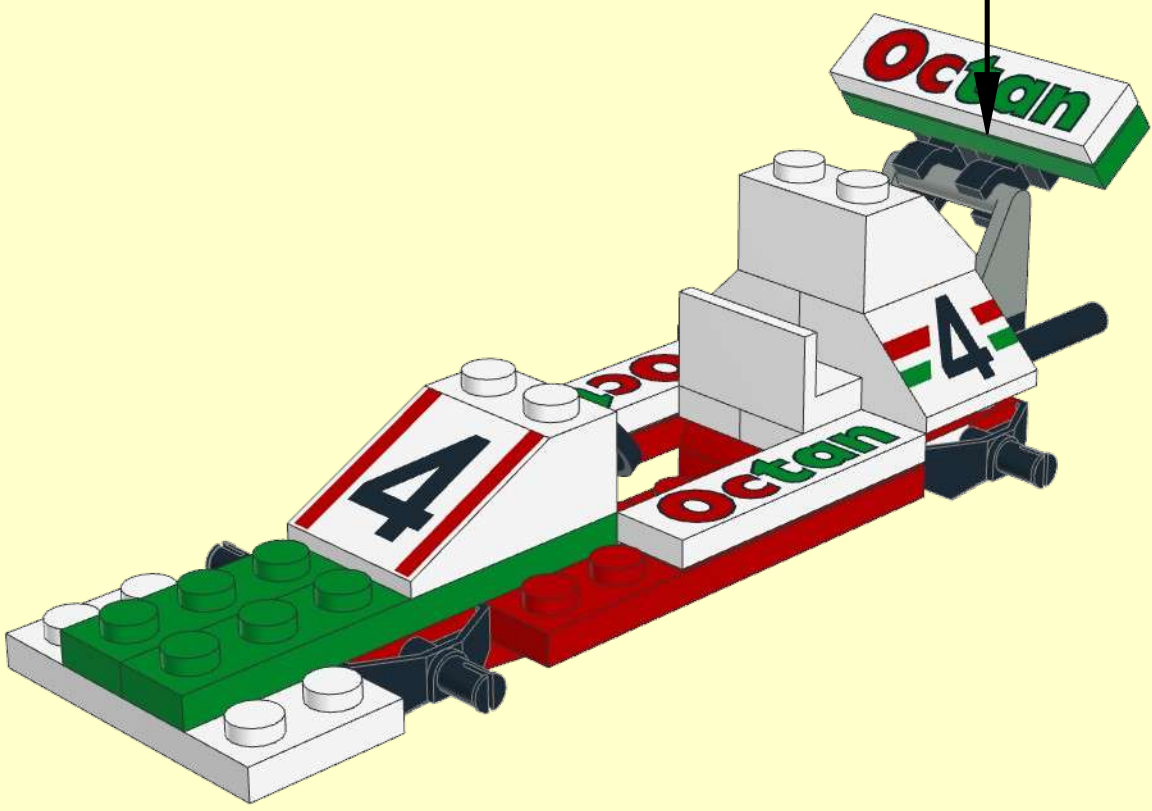


7



1x
1x
2x

This inset box lists the parts for step 7. It includes one white 'Octan' logo brick, one green 1x5 Technic brick with four studs, one dark grey 1x2 Technic brick with a hole, and two dark grey 1x2 Technic pins. Below the list is a diagram showing the assembly of these parts: the white 'Octan' brick is placed on top of the green brick, and the dark grey brick is inserted into the hole of the green brick, with two pins inserted into the holes of the dark grey brick.



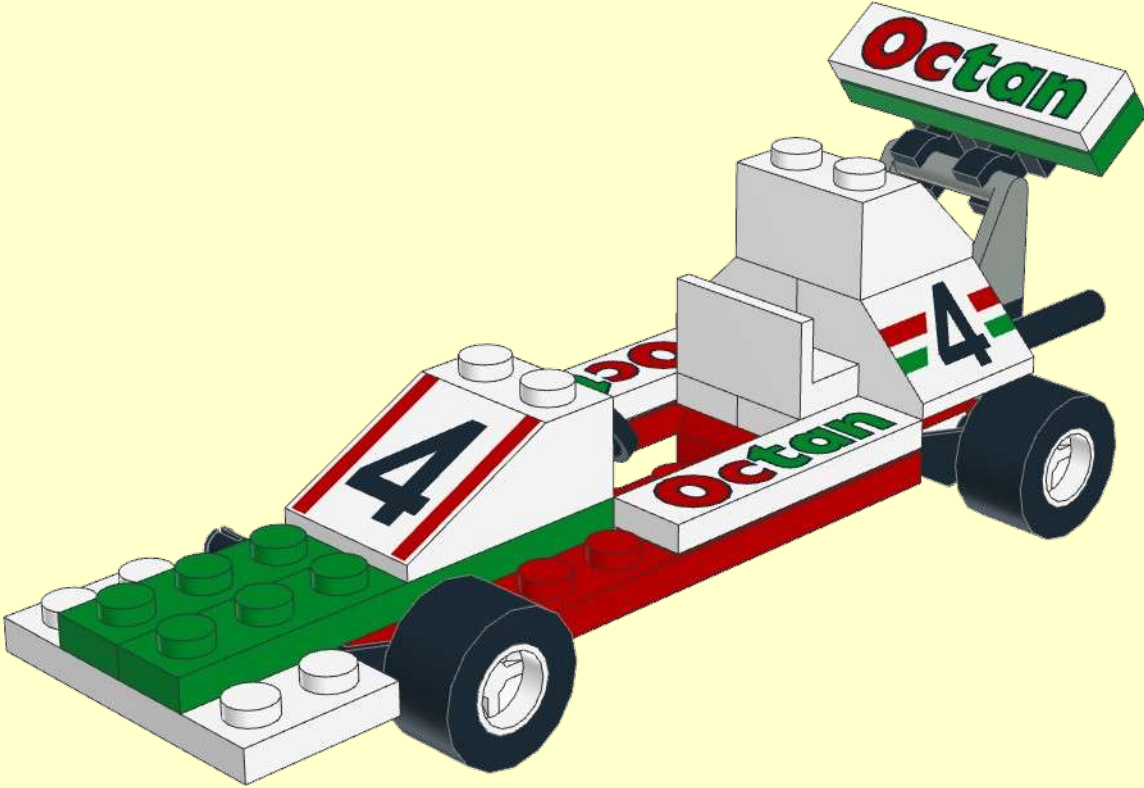
8



2x



2x



9

