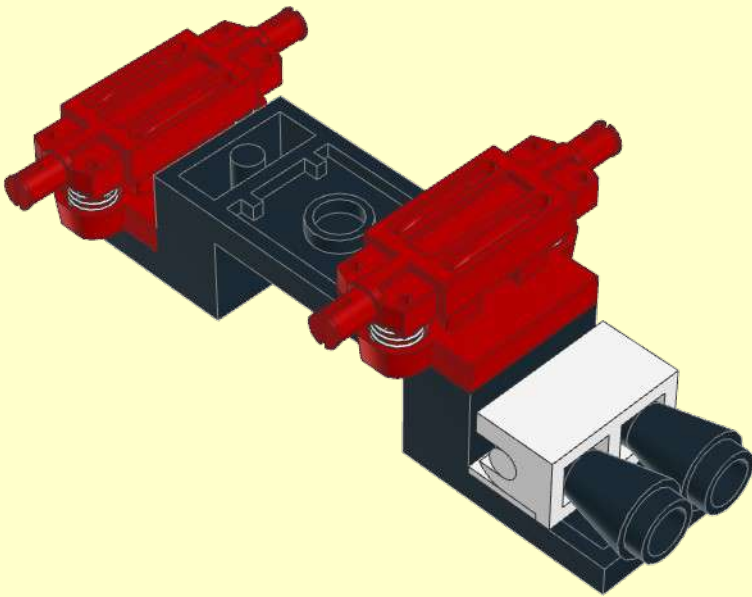
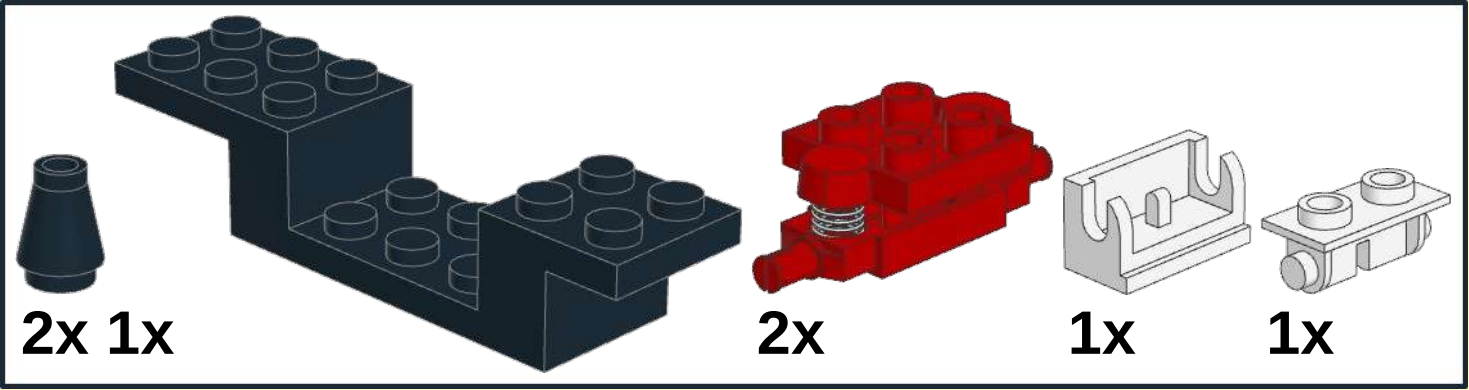
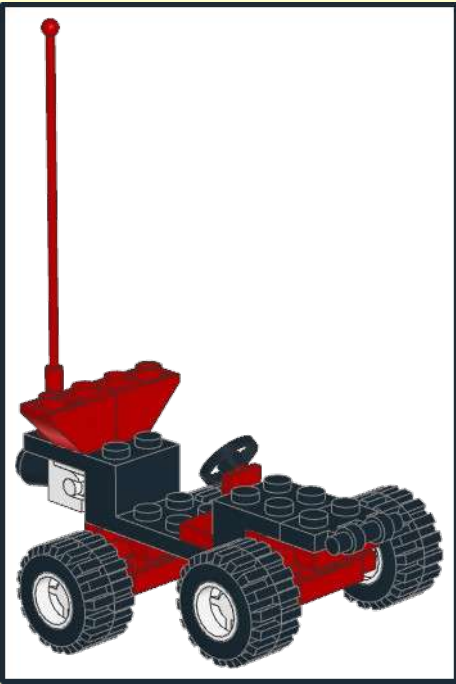


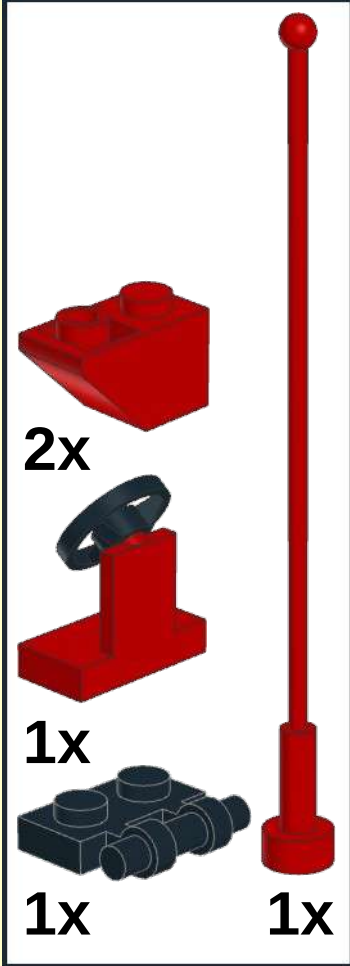




1



2



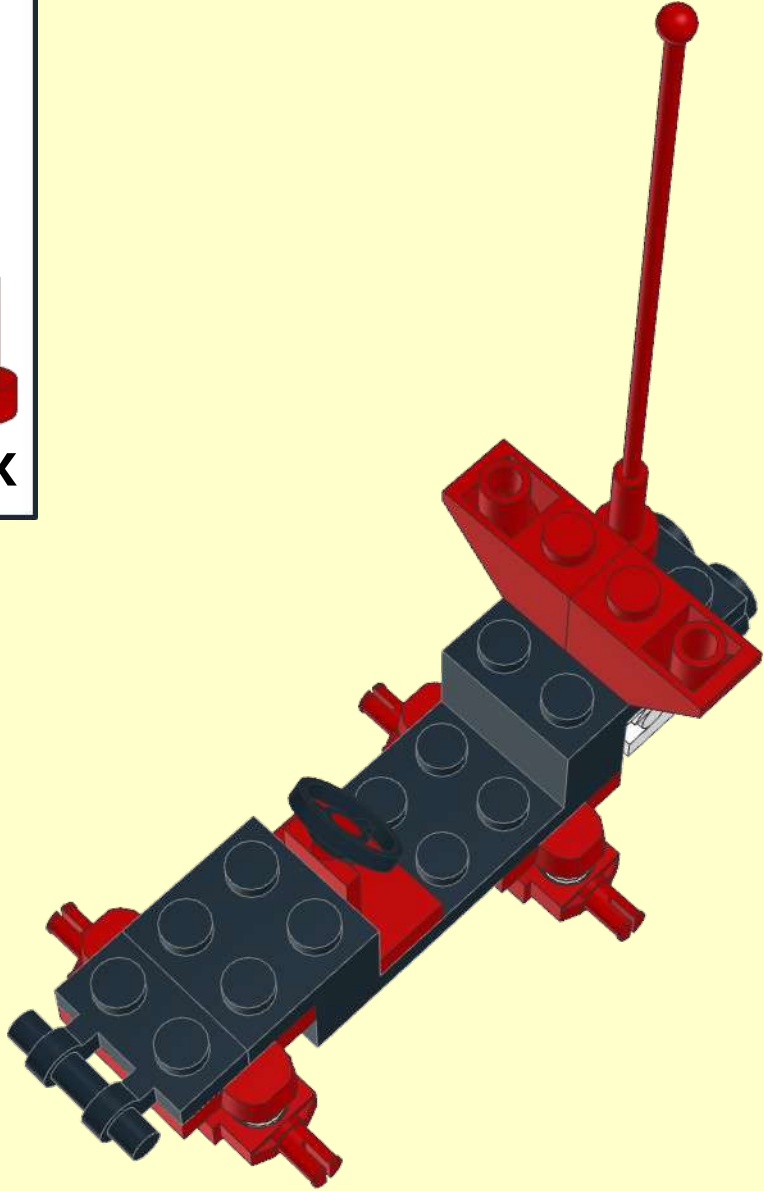
2x

1x

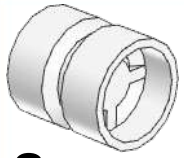
1x

1x

This inset box lists the parts for step 2. It includes two red 1x3 Technic bricks, one black Technic wheel, one red Technic axle with a stop, one black Technic axle with a stop, and one red Technic axle with a ball end. Each part is accompanied by its quantity: '2x' for the red bricks, '1x' for the black wheel, '1x' for the black axle, and '1x' for the red axle.



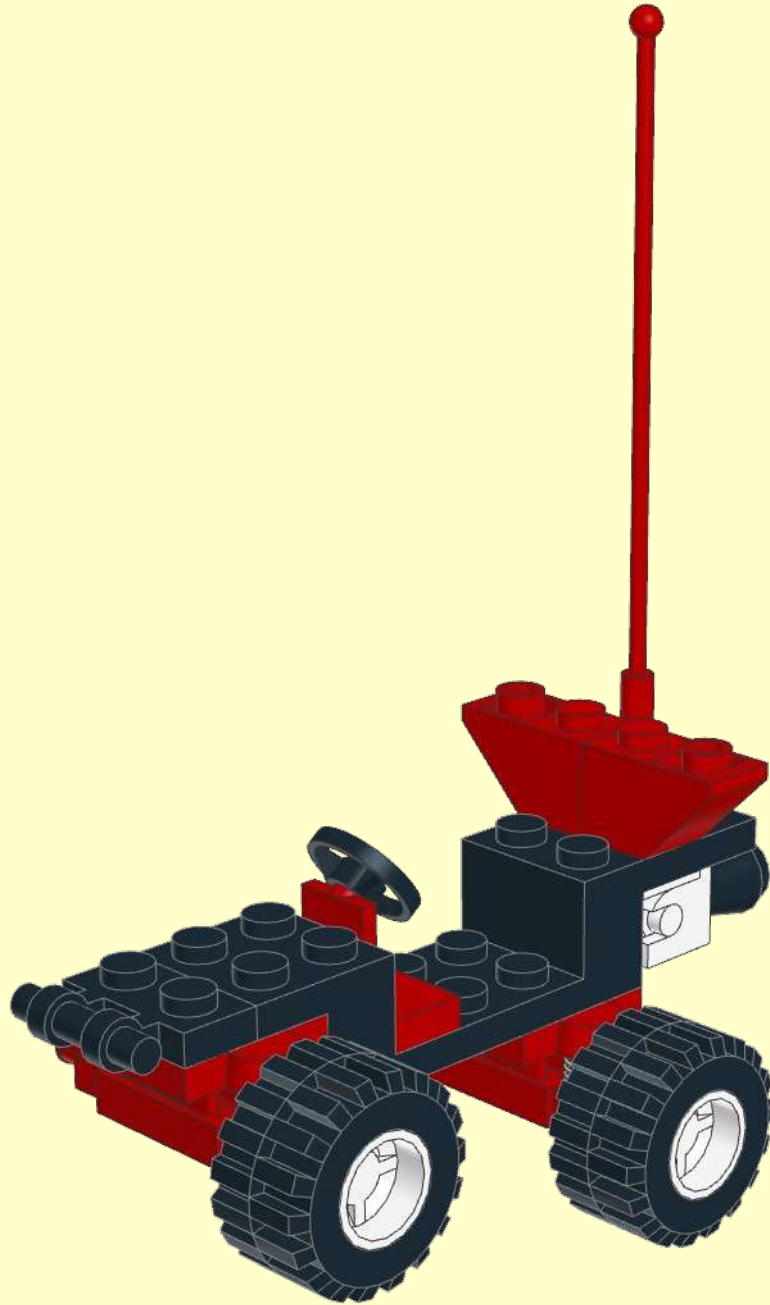
3



2x



2x



4

