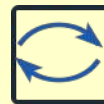
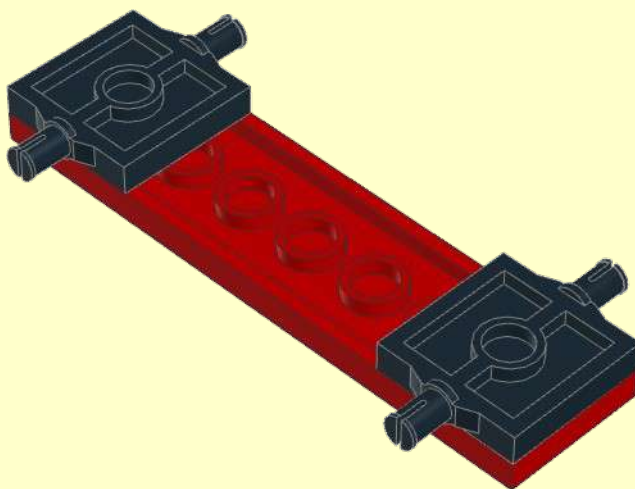
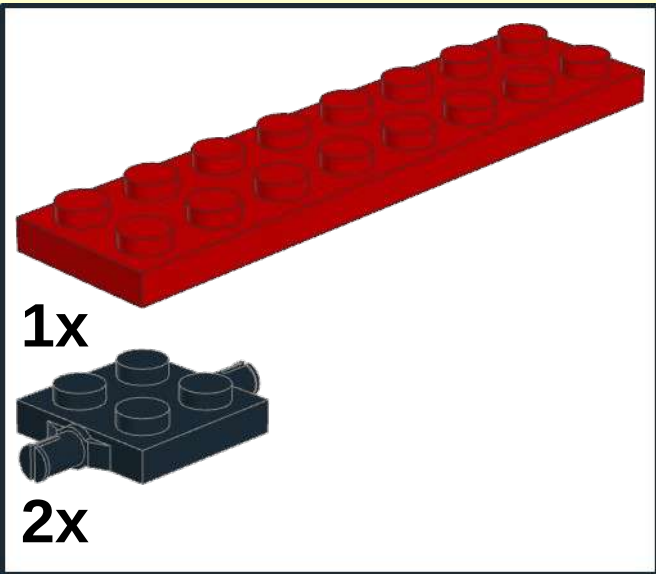
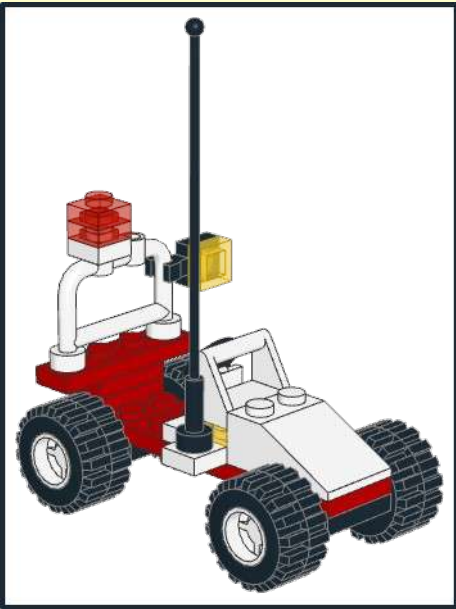
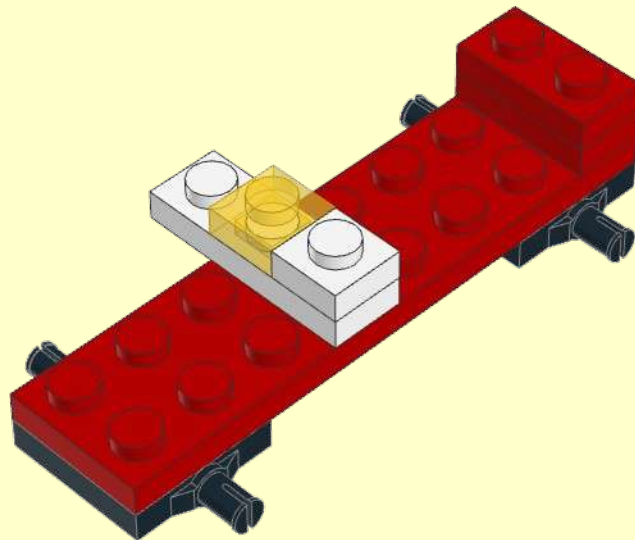
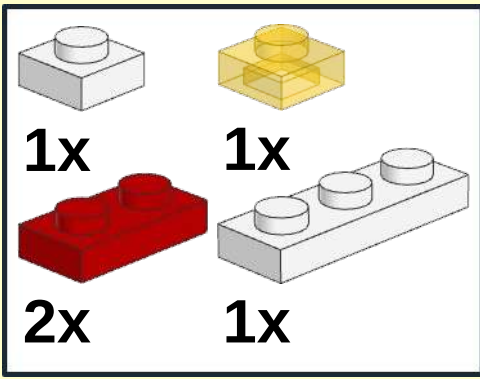


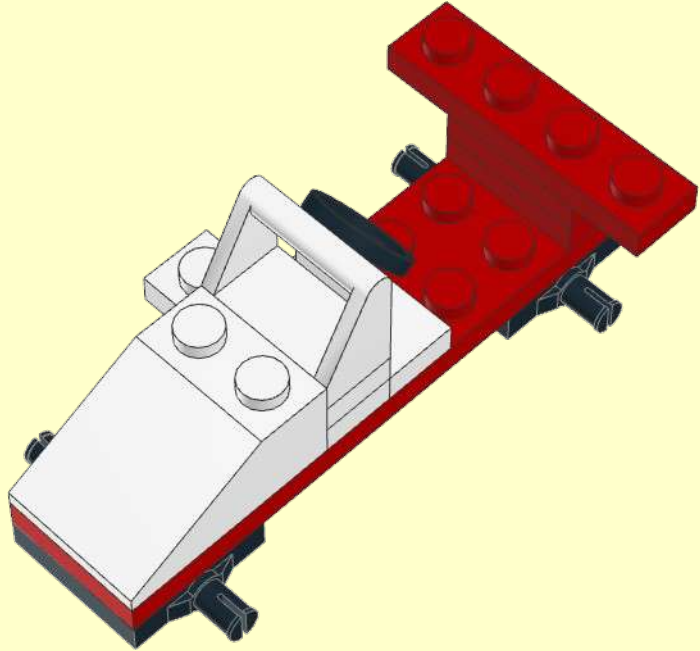
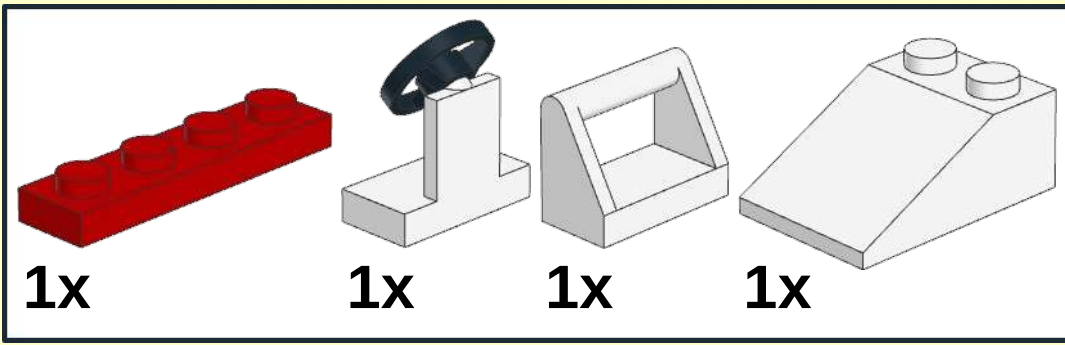
1



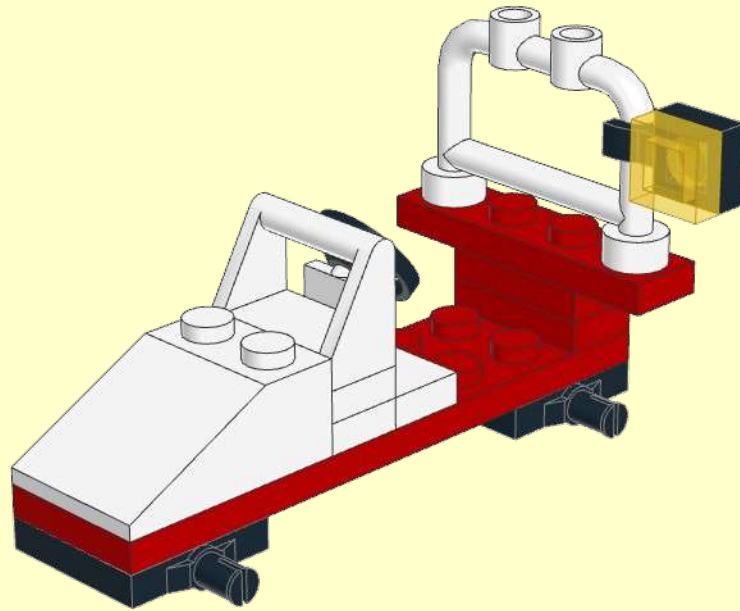
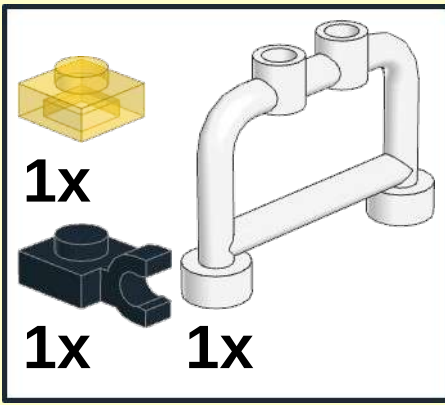
2



3



4

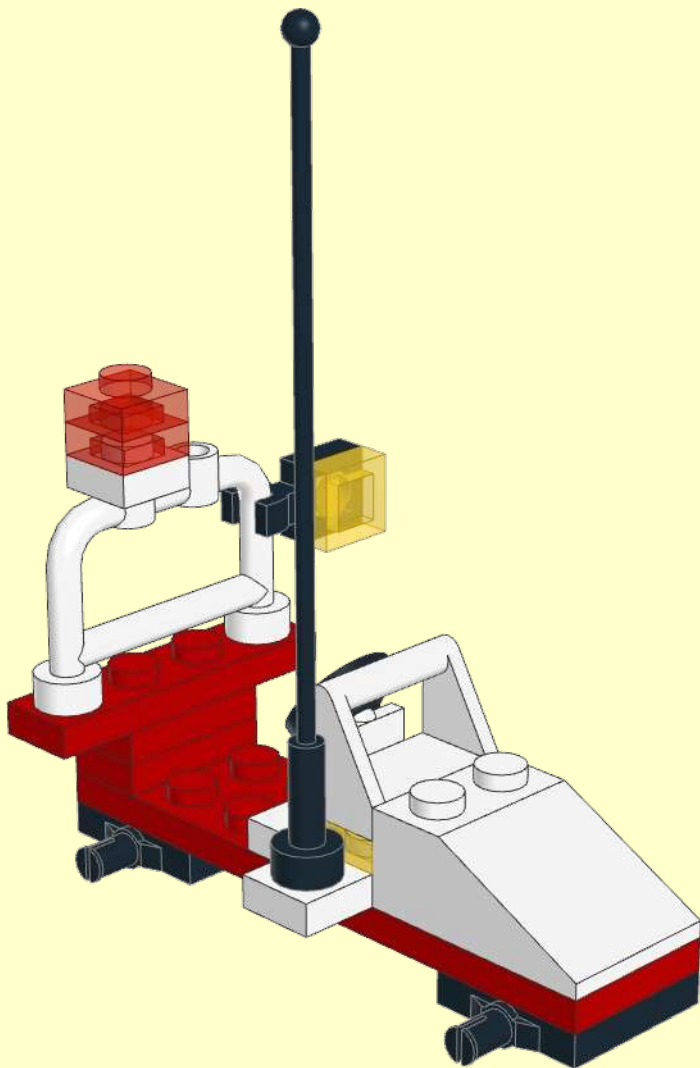


5

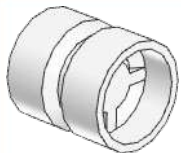


1x 1x
2x

This block contains a list of parts for step 5. It includes a long black axle with a ball end, a red 1x2x2 Technic brick with a hole, a white 1x2 Technic brick with a hole, and a black axle pin. The quantities are listed as 1x for the axle, 1x for the white brick, and 2x for the red brick.



6



4x



4x

