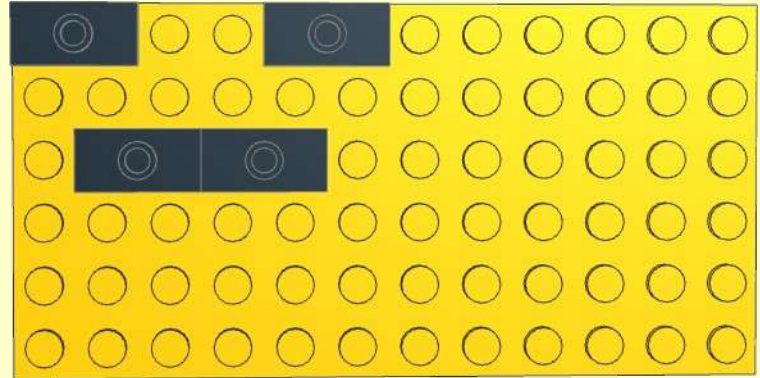
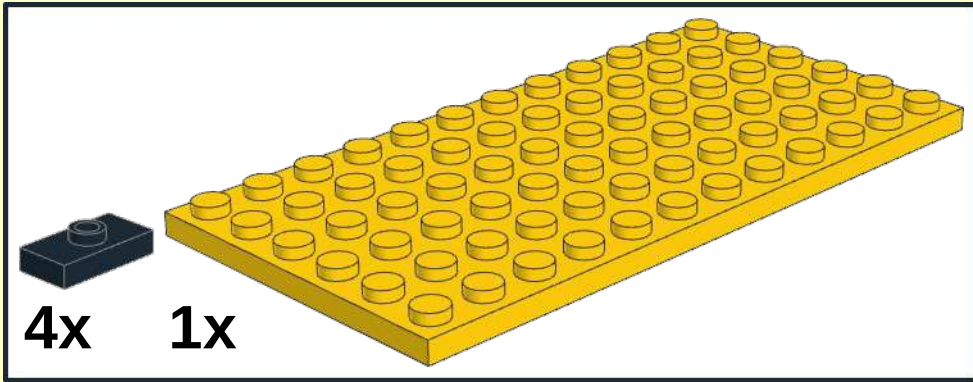
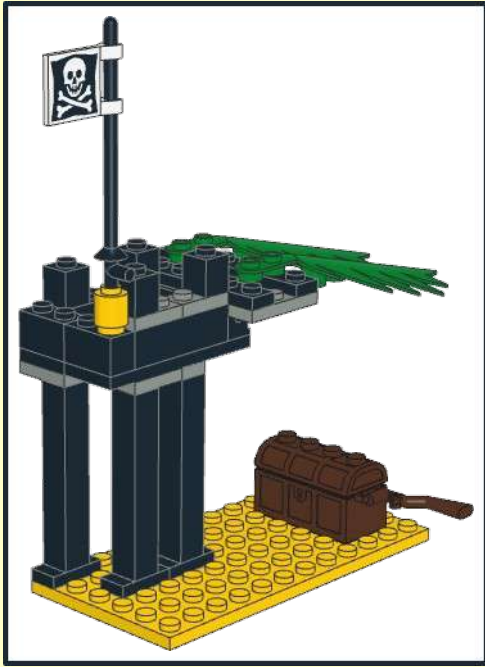
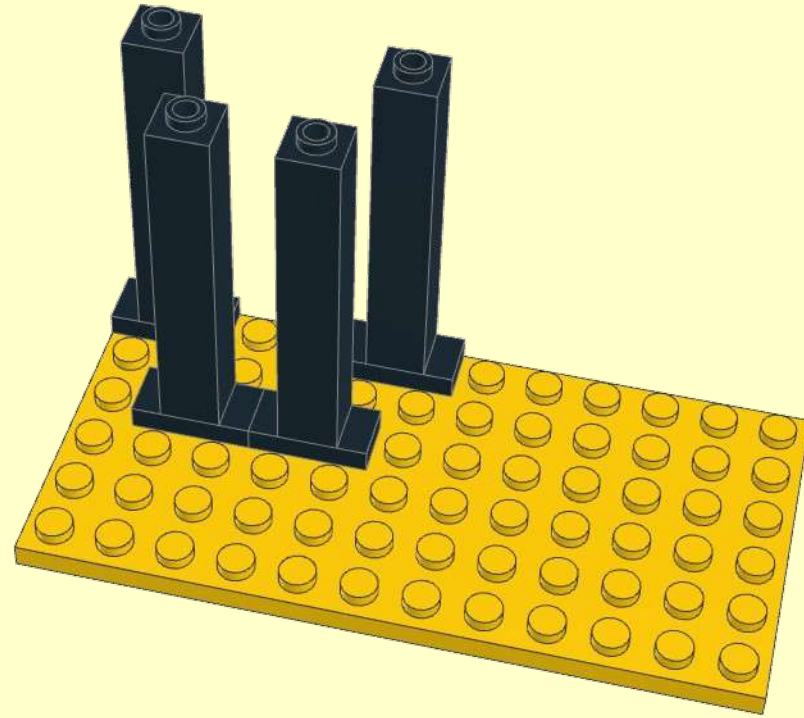
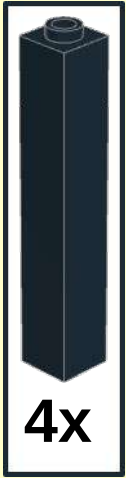


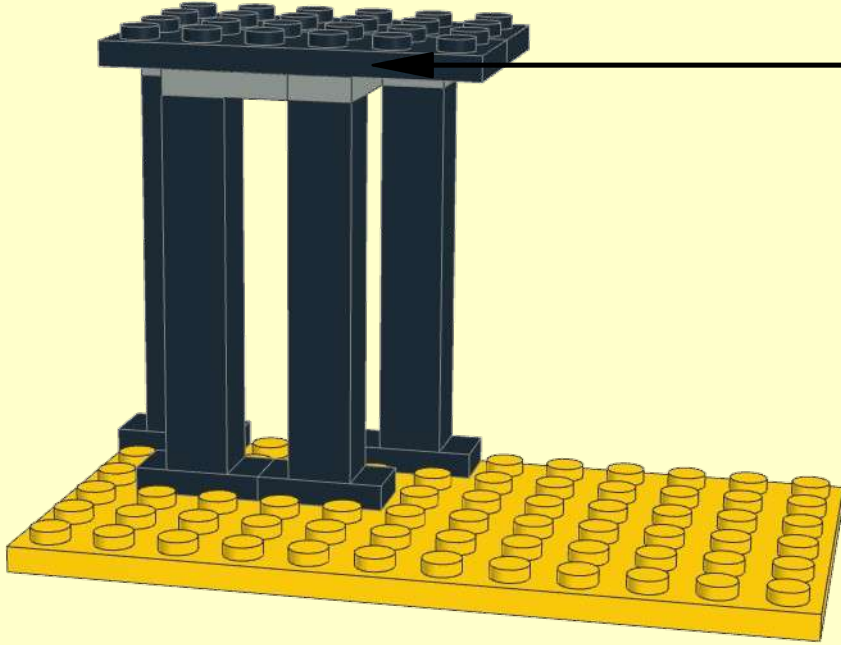
1



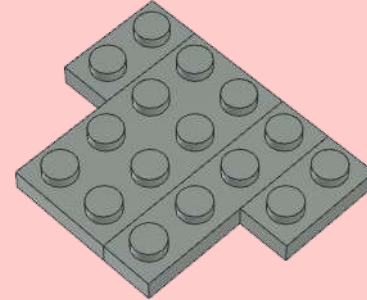
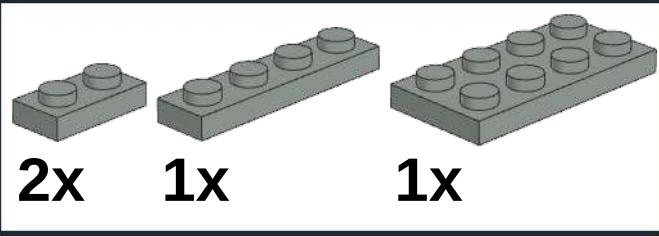
2



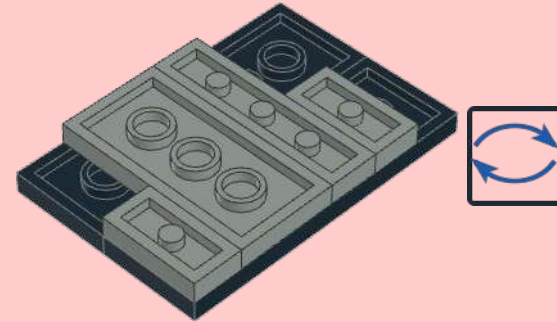
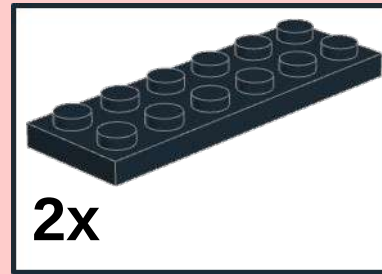
3



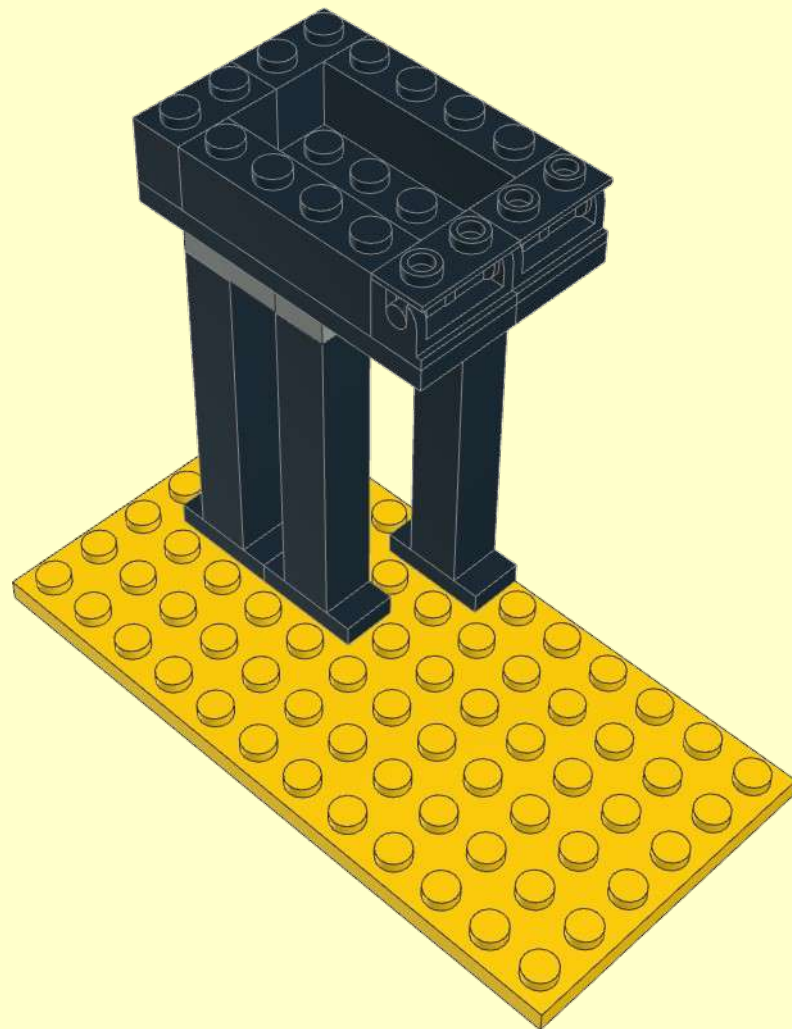
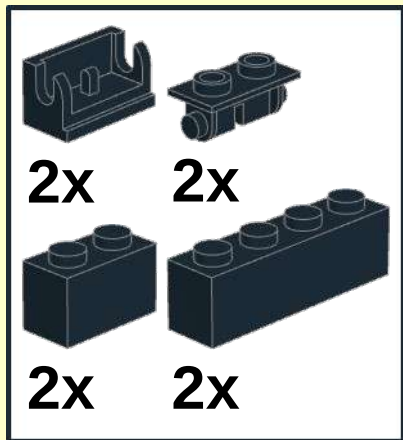
1



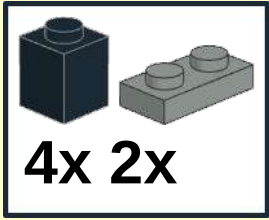
2



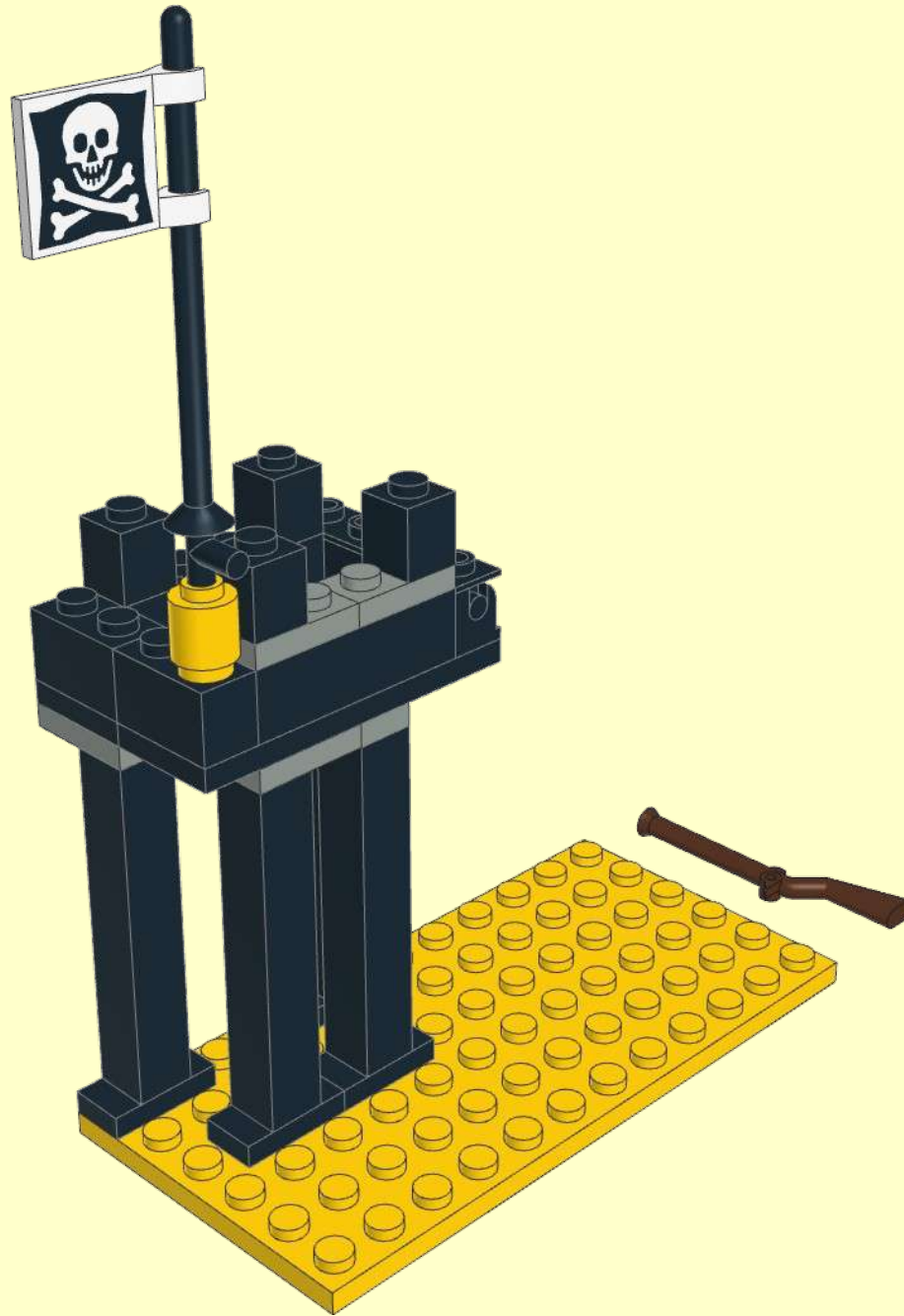
4



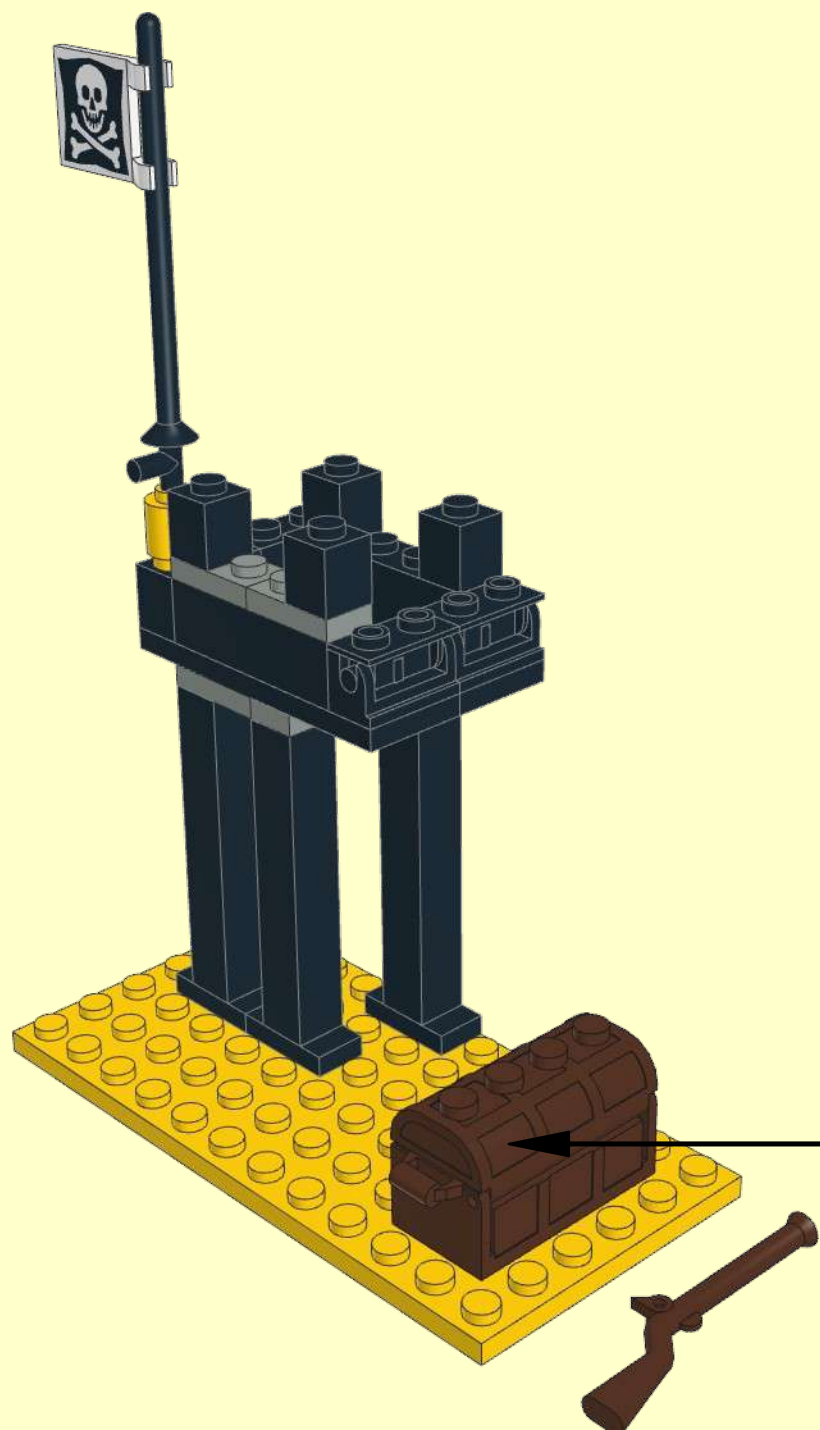
5



6



7



1

1x 1x 1x 1x

1x 1x

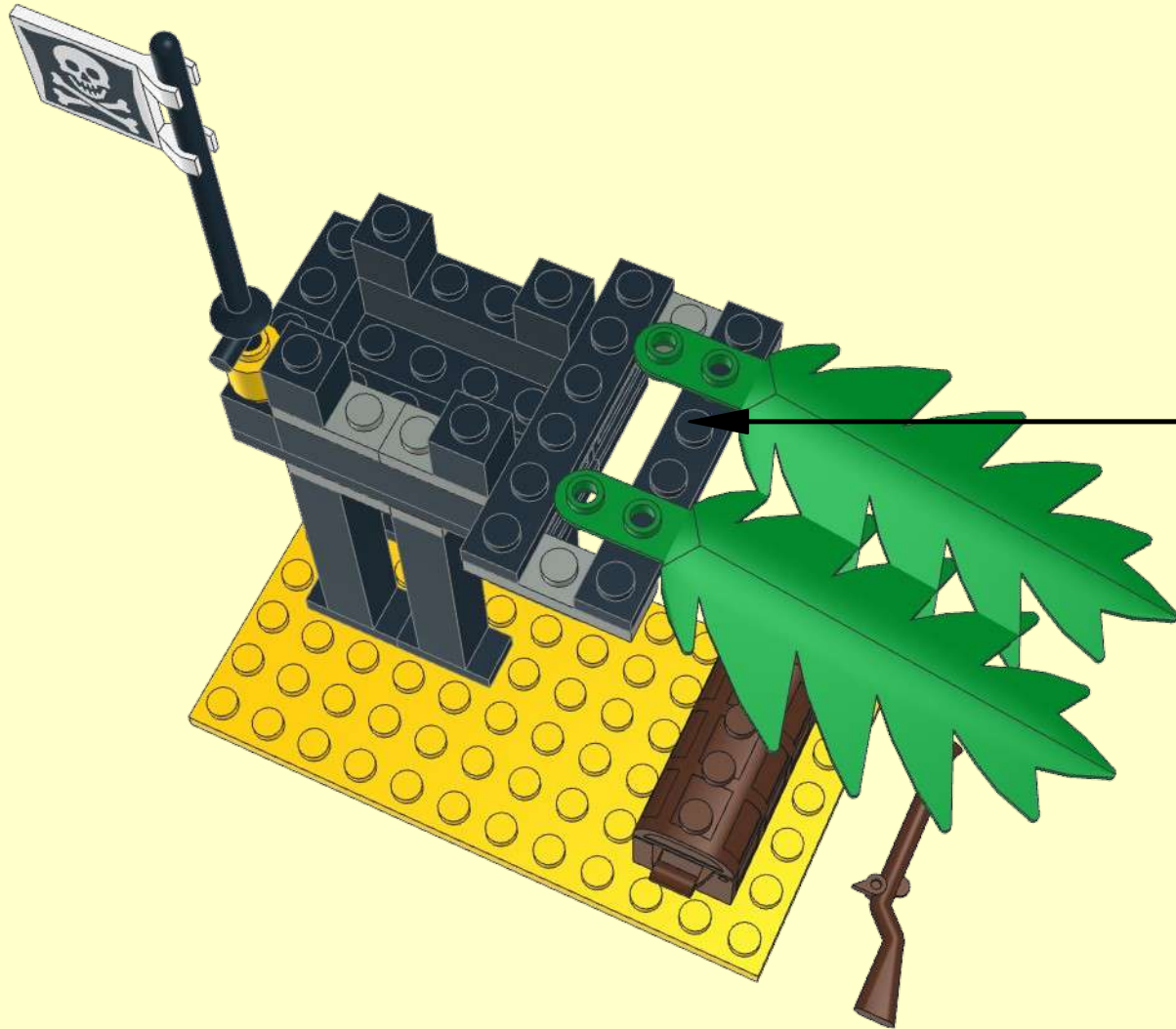
This block contains the parts list for step 1. It shows one dark brown chest, four gold coins, and their respective quantities: 1x for the chest and 1x for each of the four coins.

2

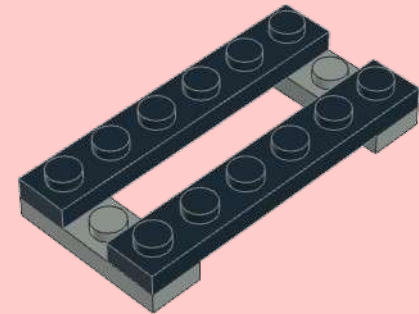
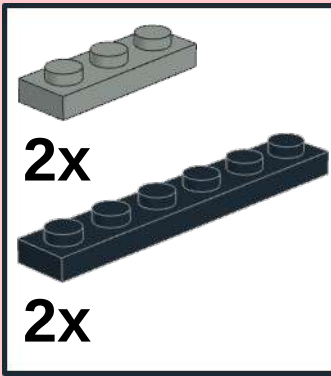
1x

This block contains the parts list for step 2, which is a single dark brown chest. Below the list is an illustration of the chest, which is the assembled version of the chest from step 1, now closed.

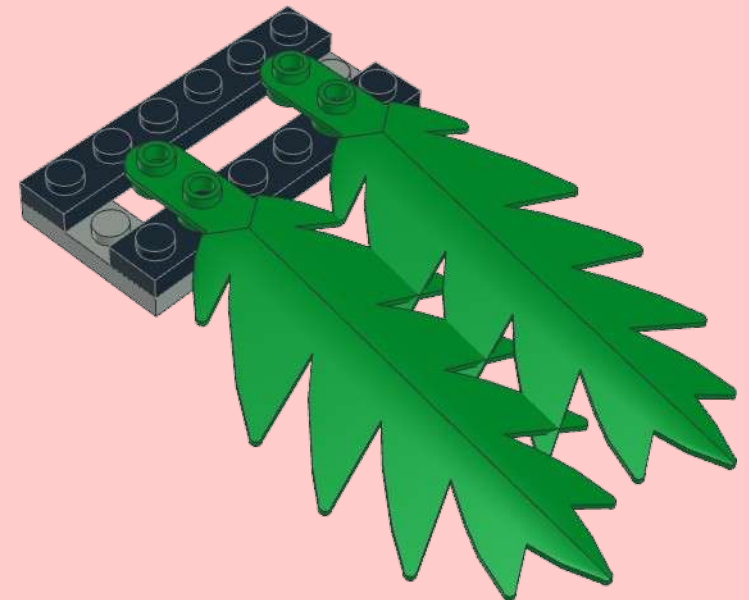
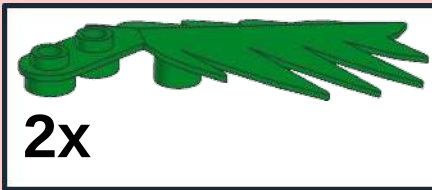
8



1



2



3

