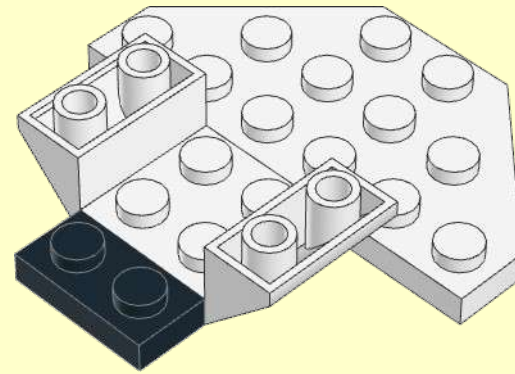
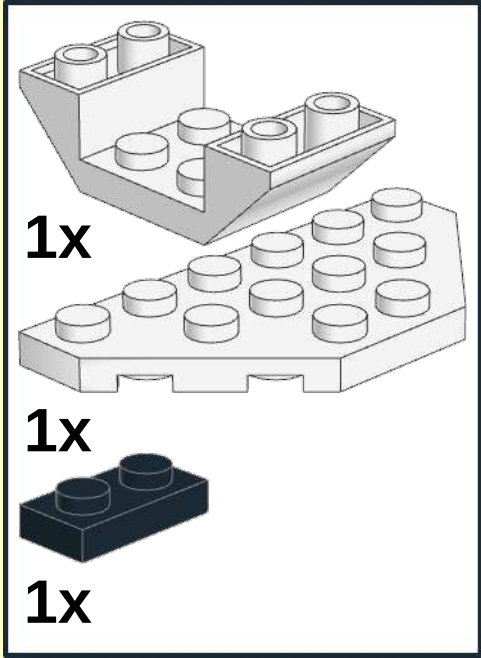
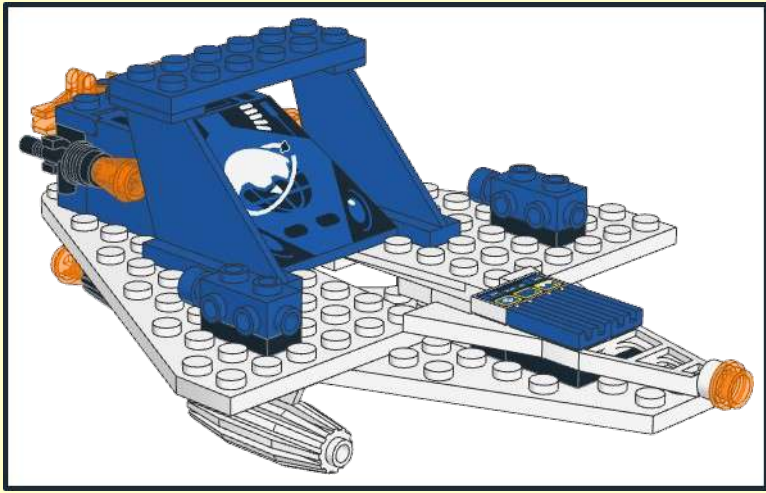
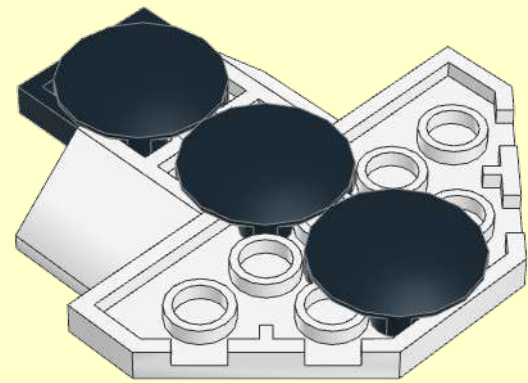


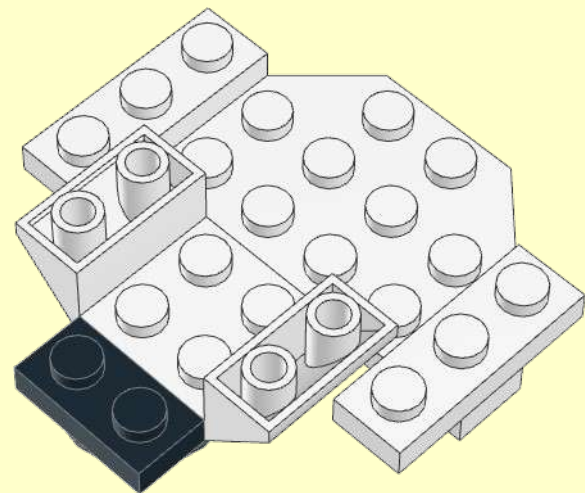
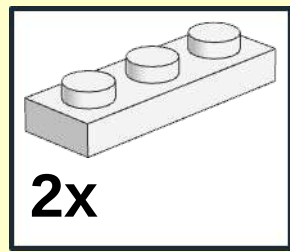
1



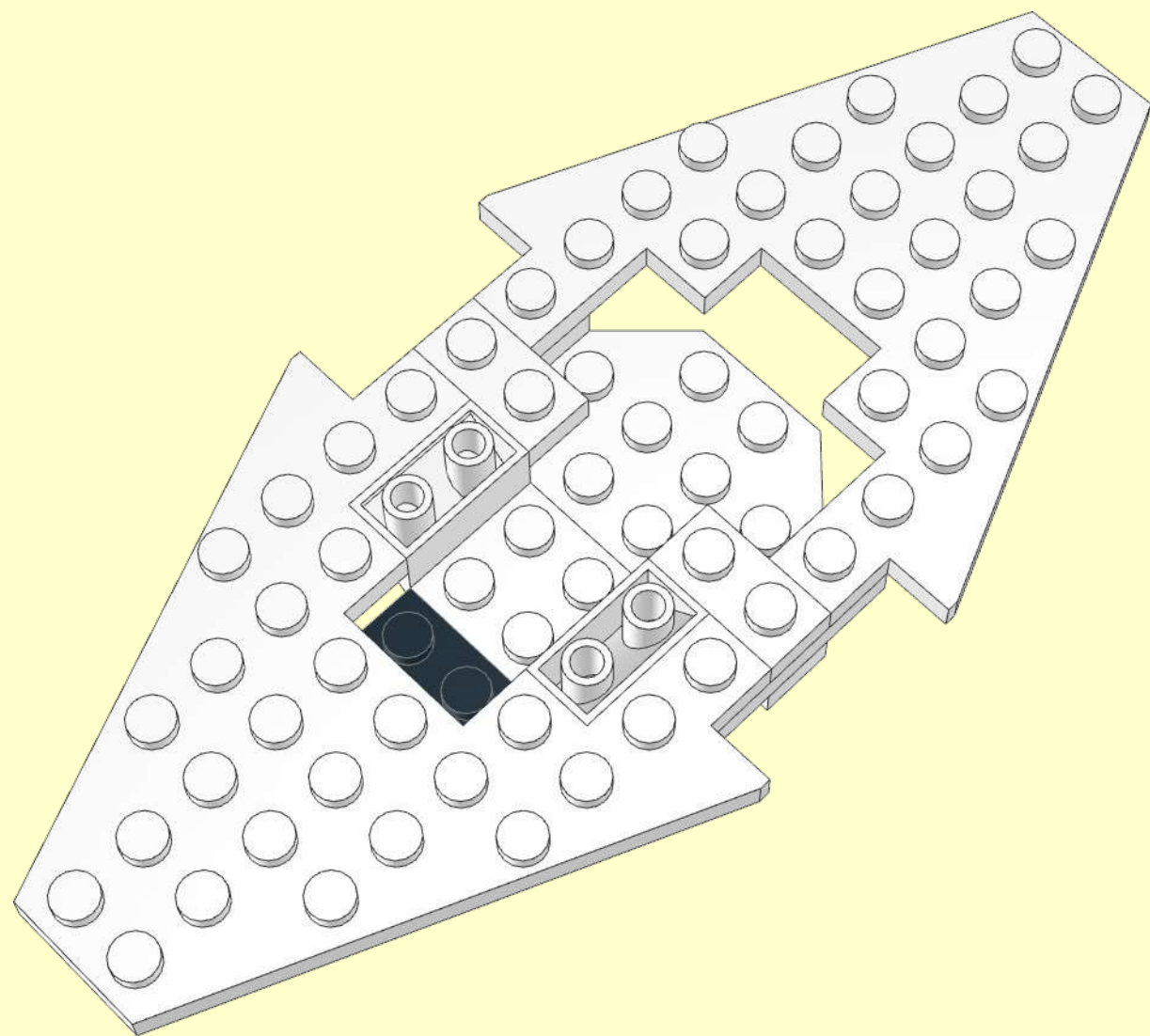
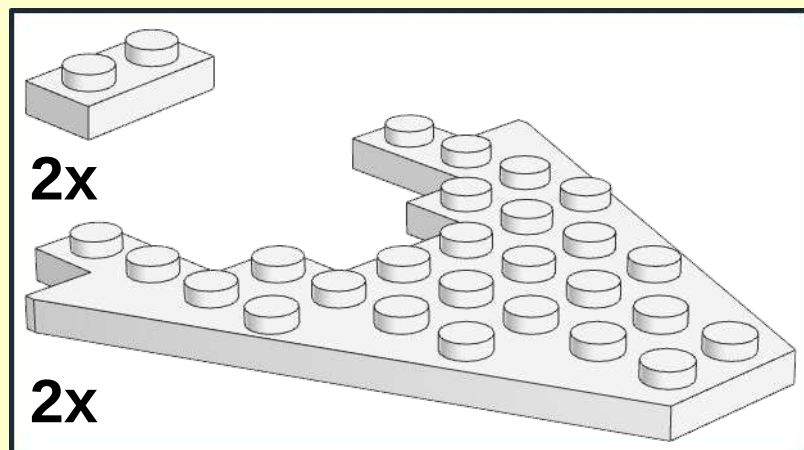
2
3x



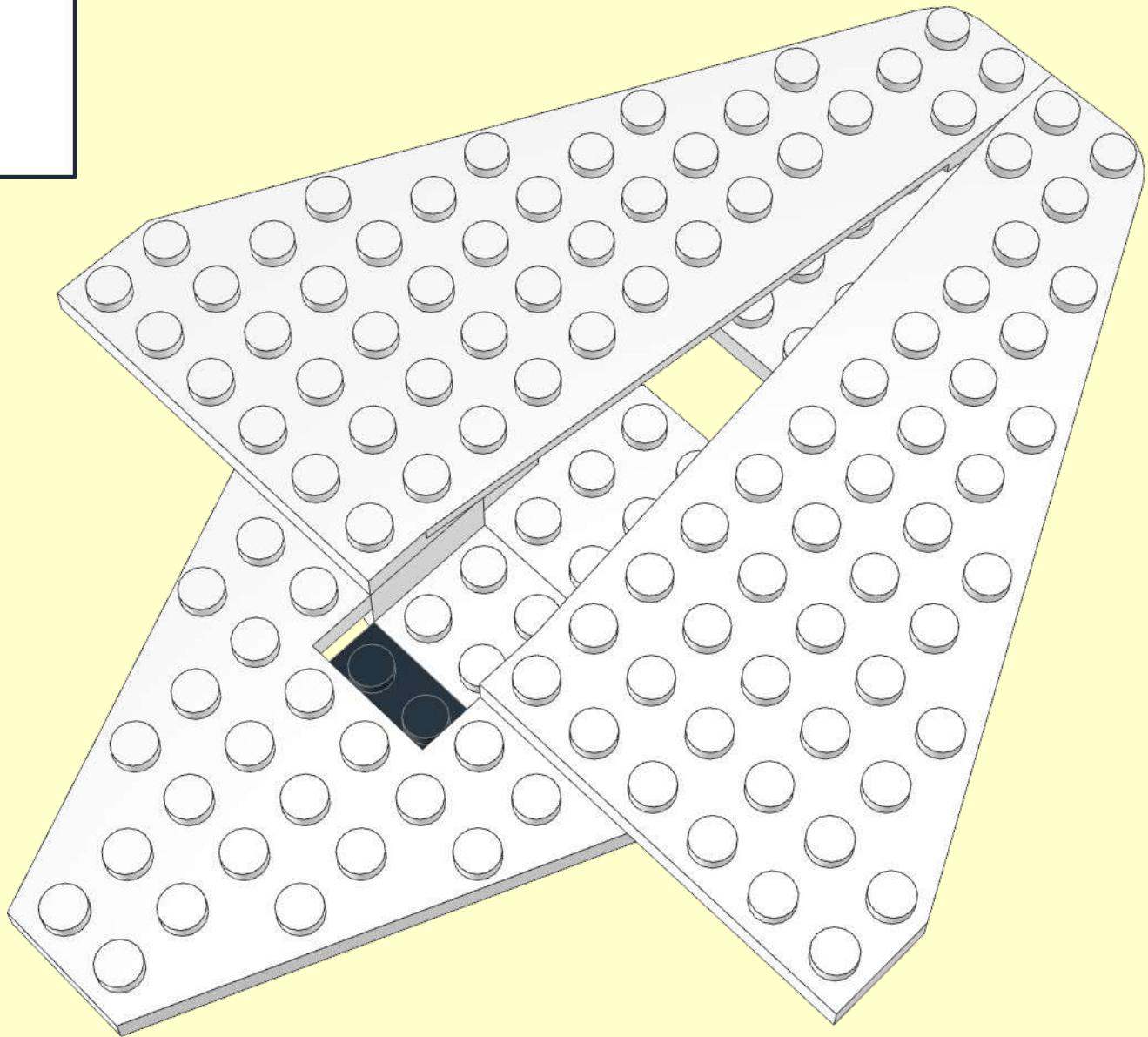
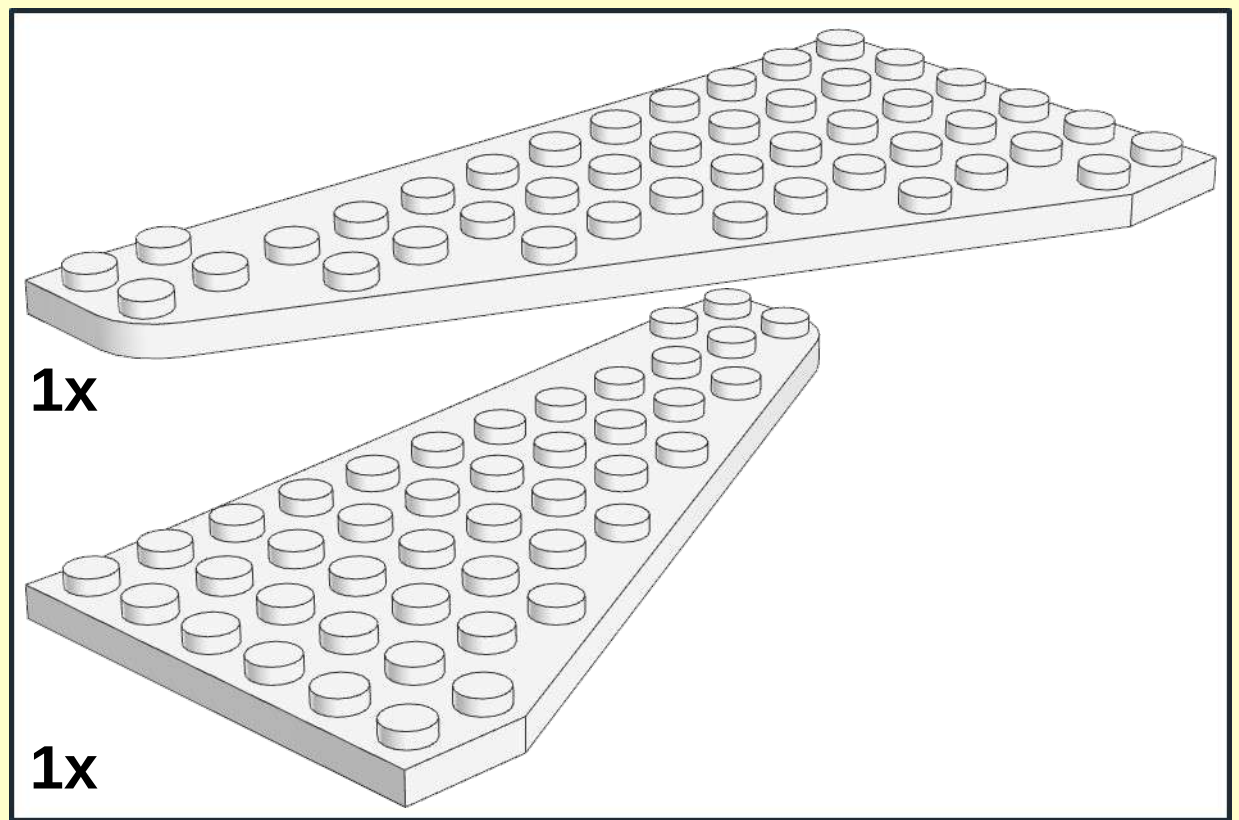
3



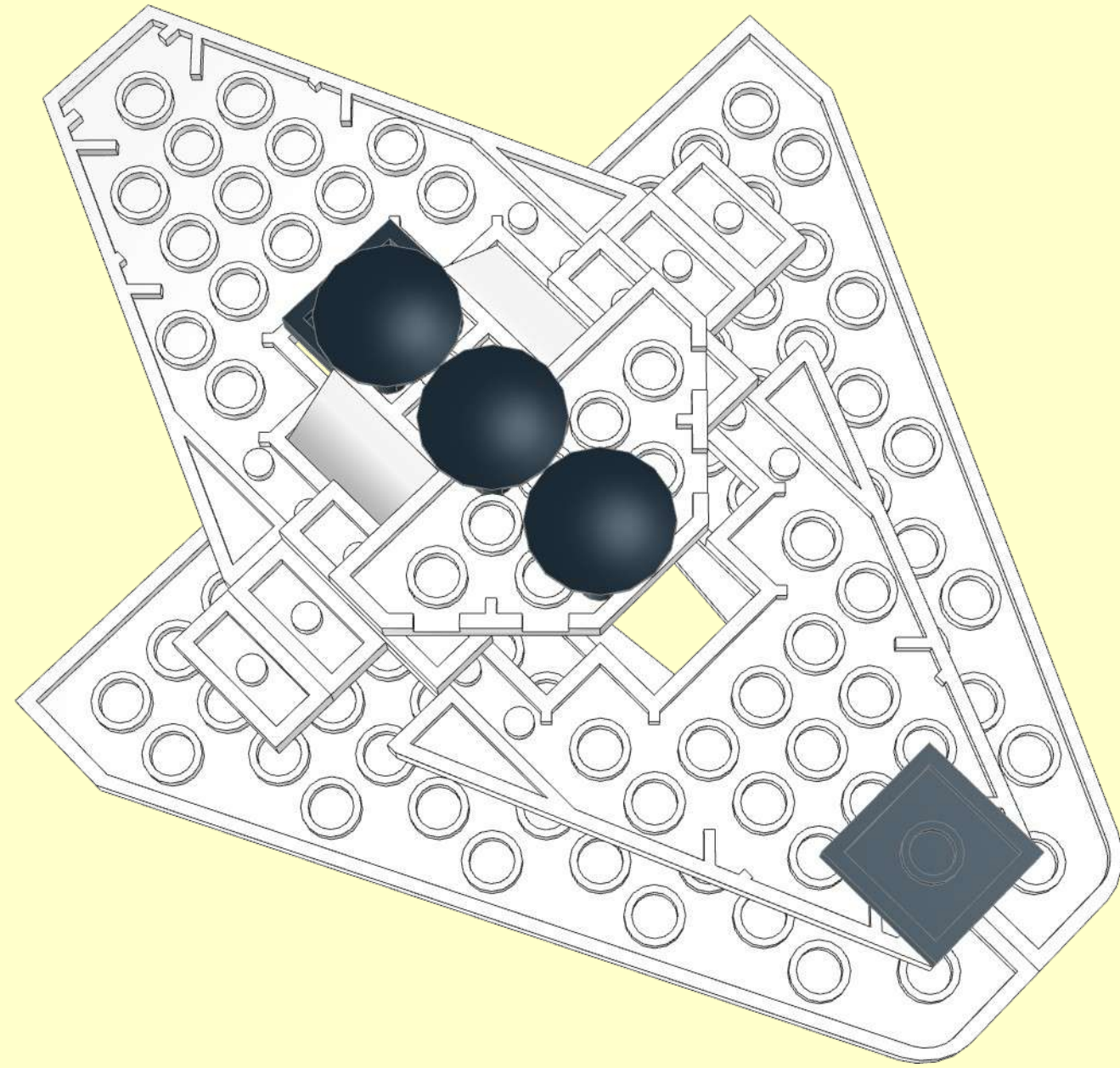
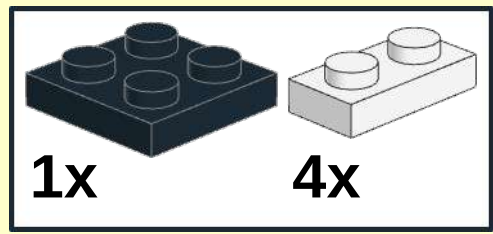
4

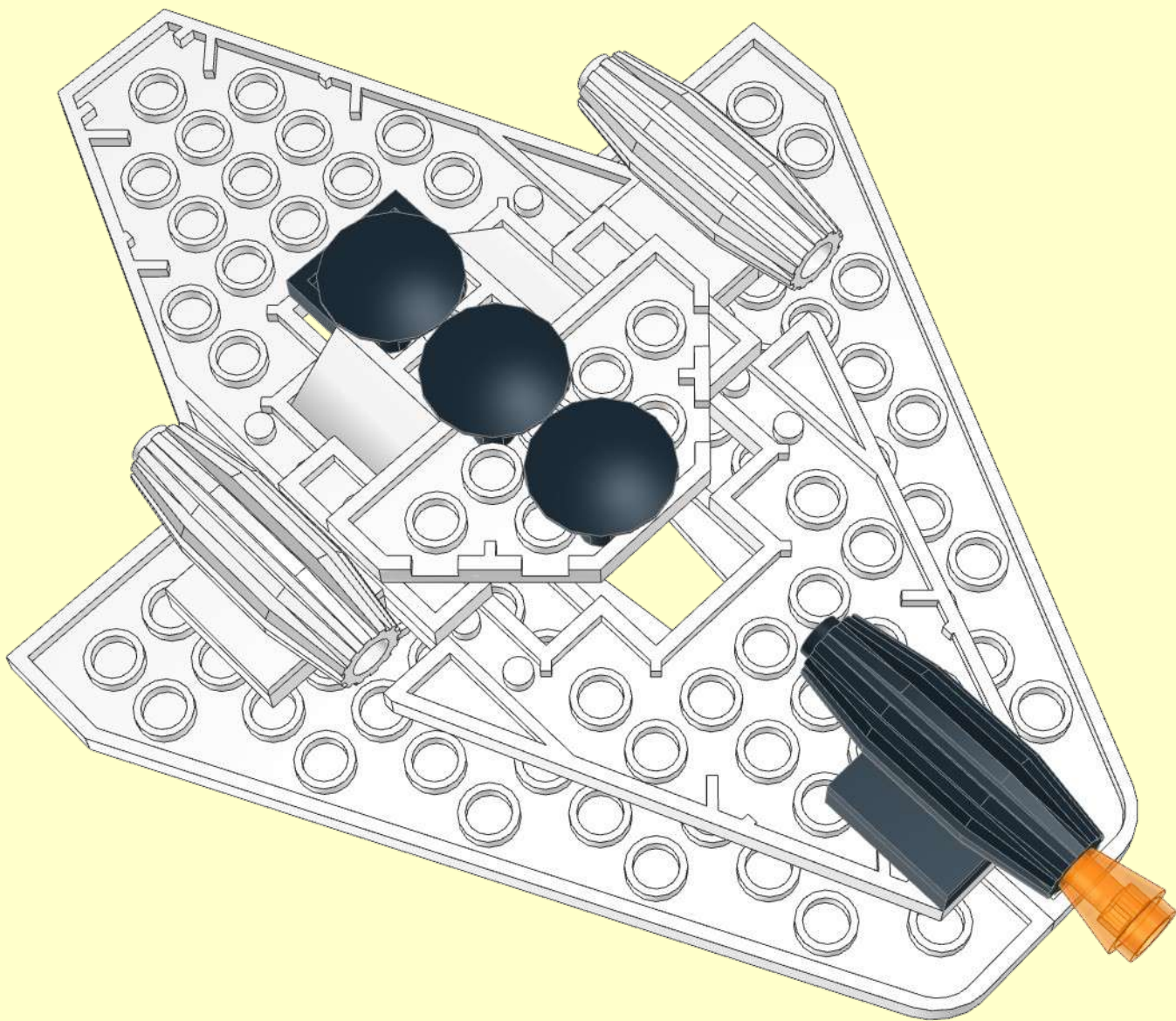
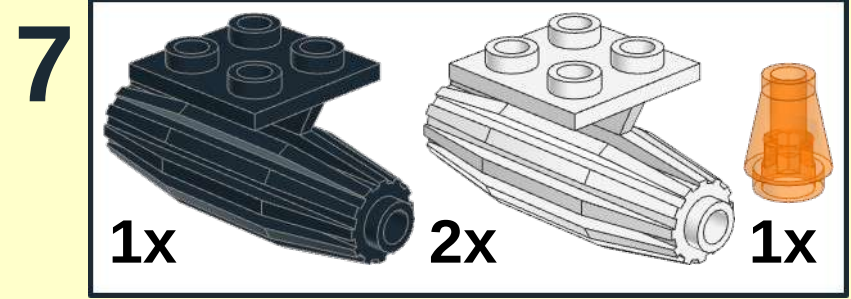


5

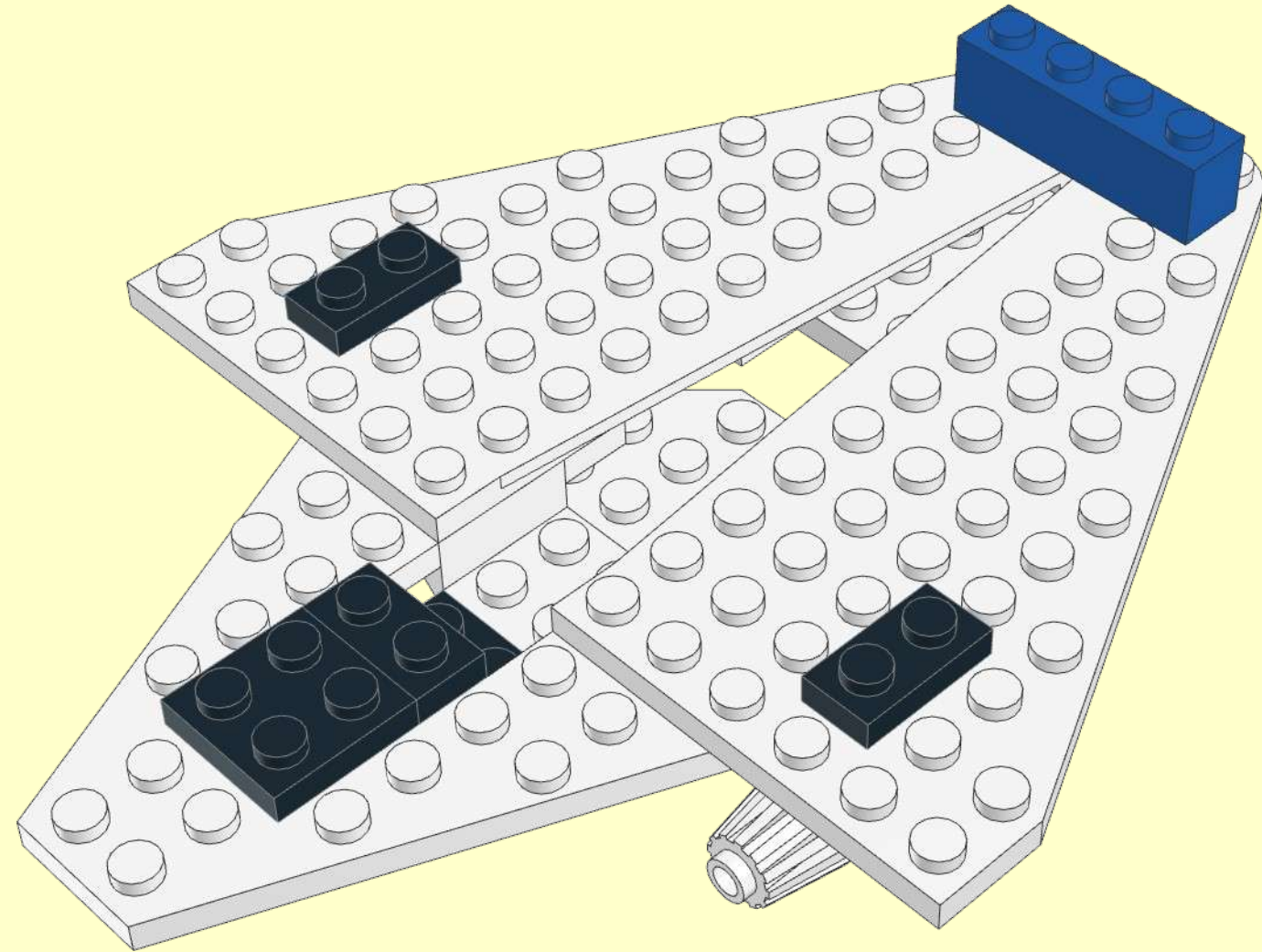
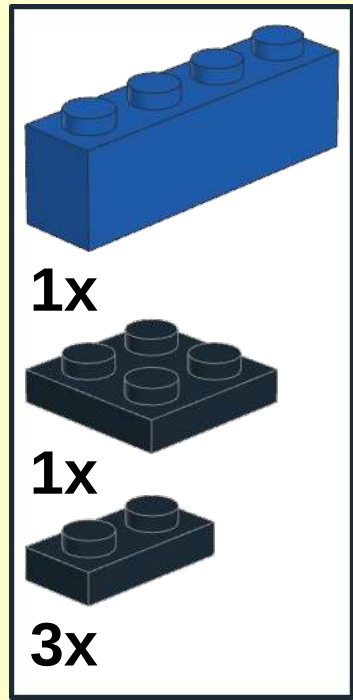


6

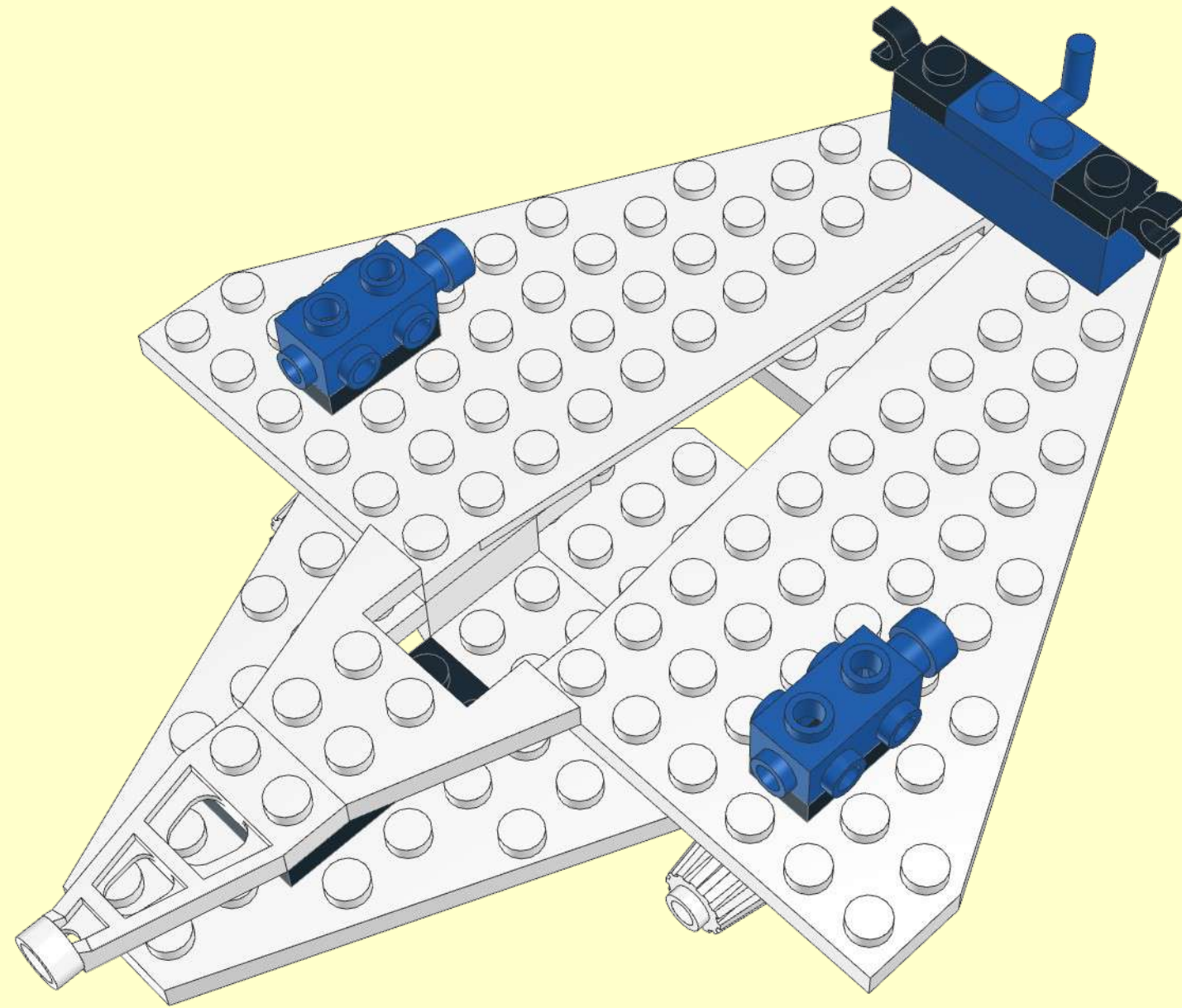
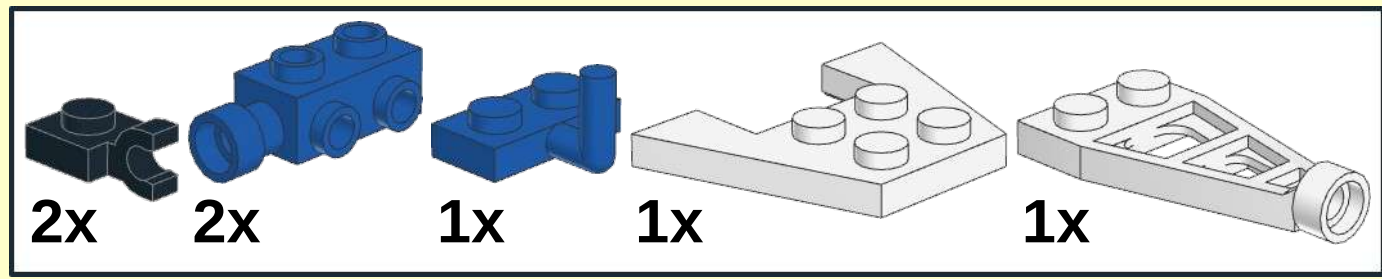




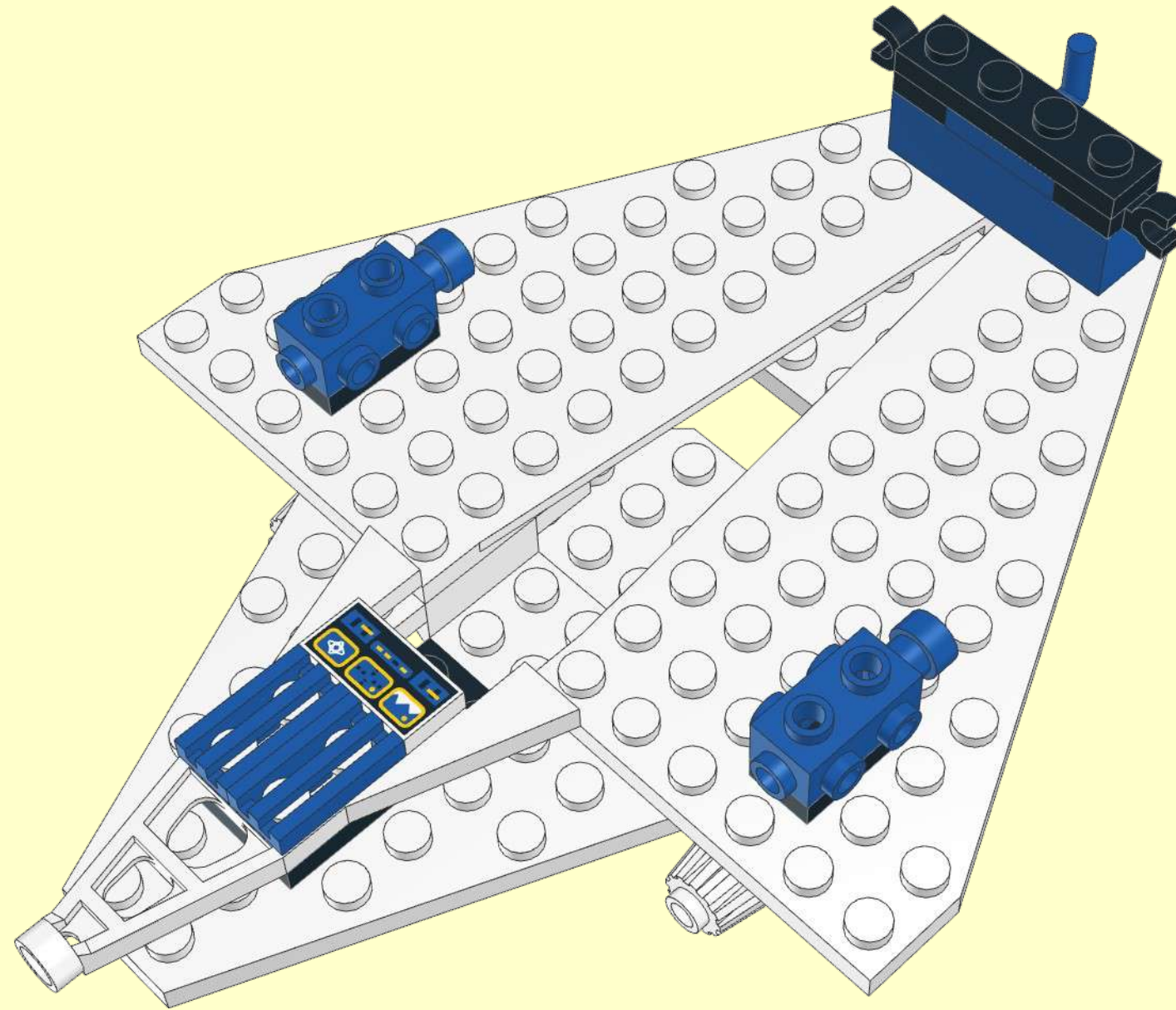
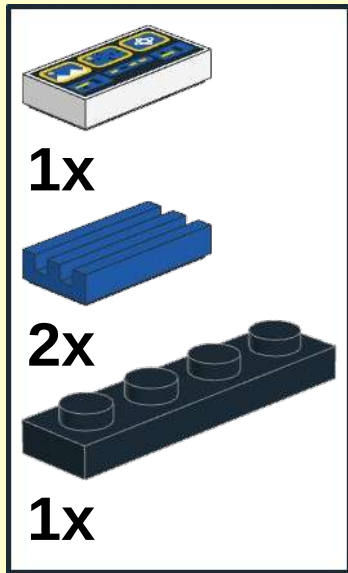
8



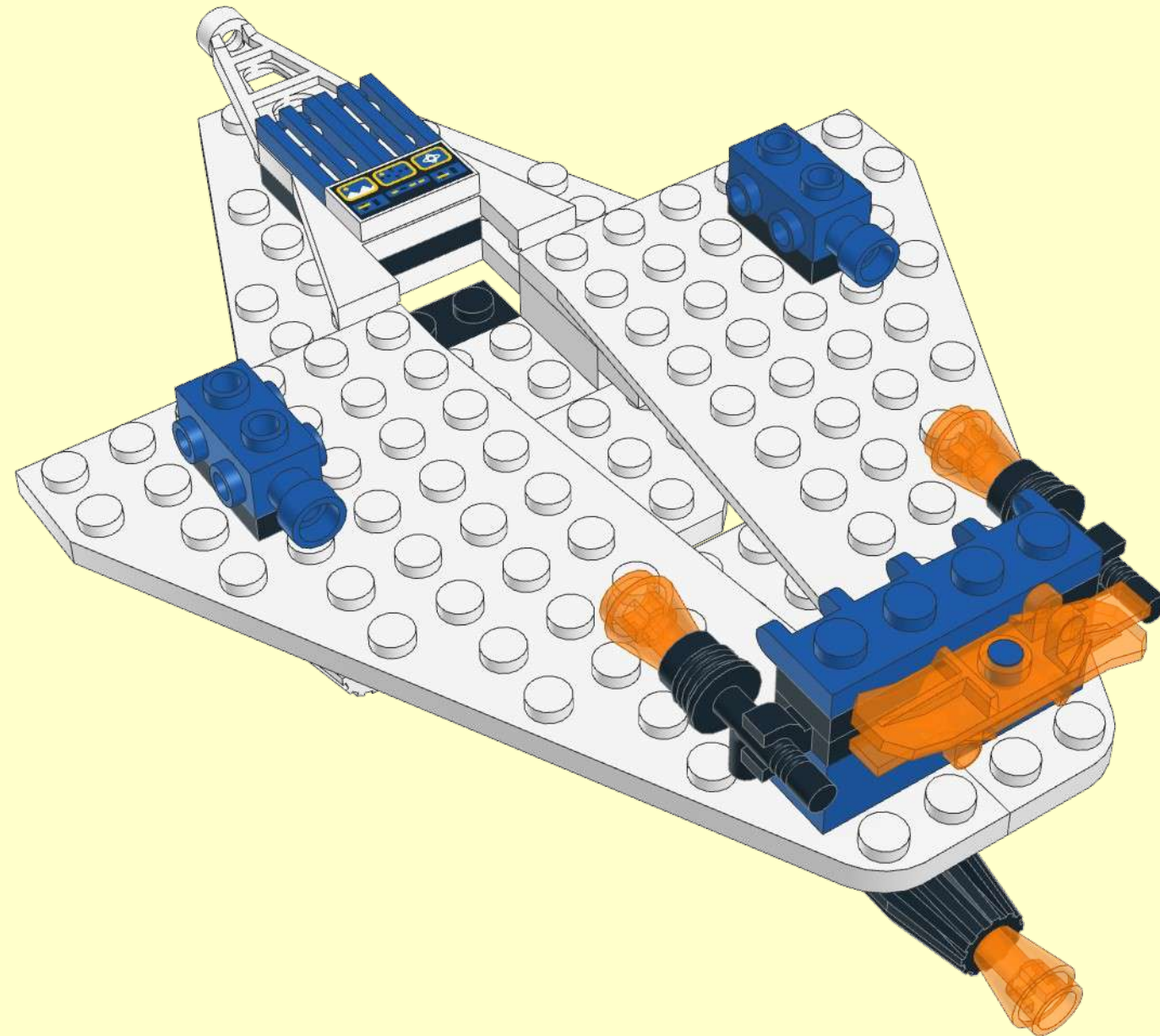
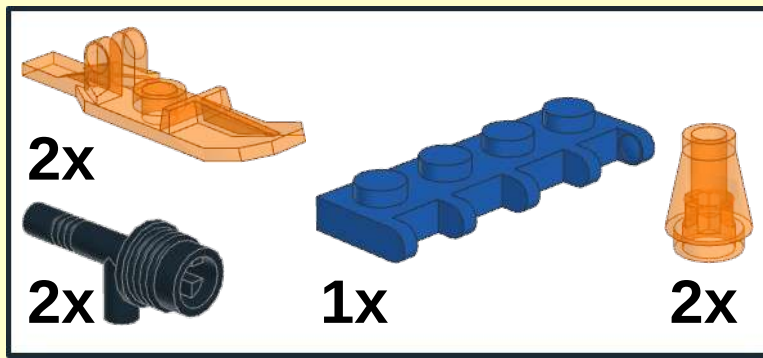
9



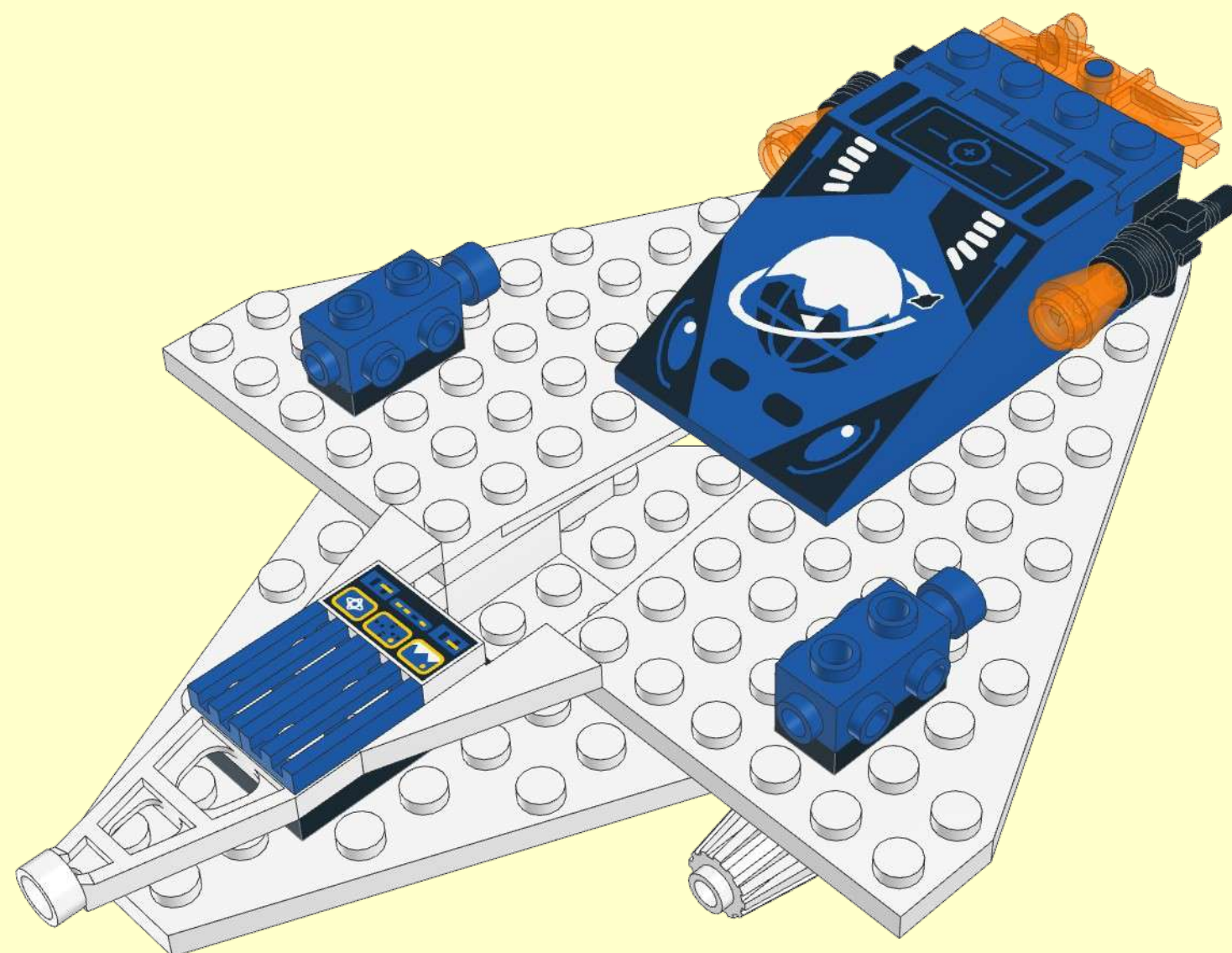
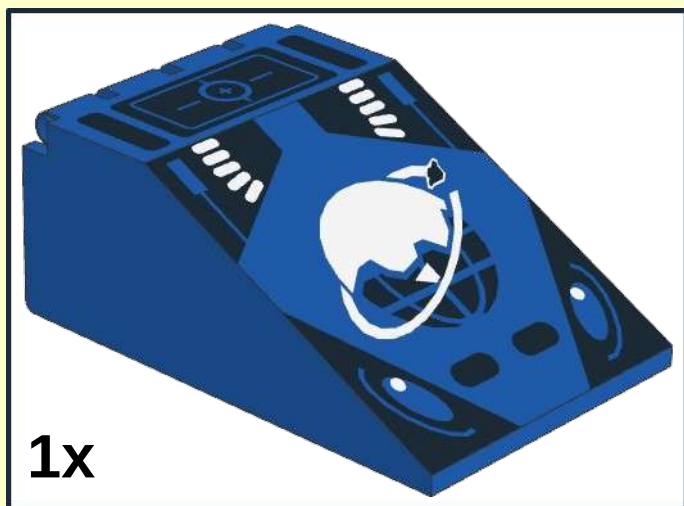
10




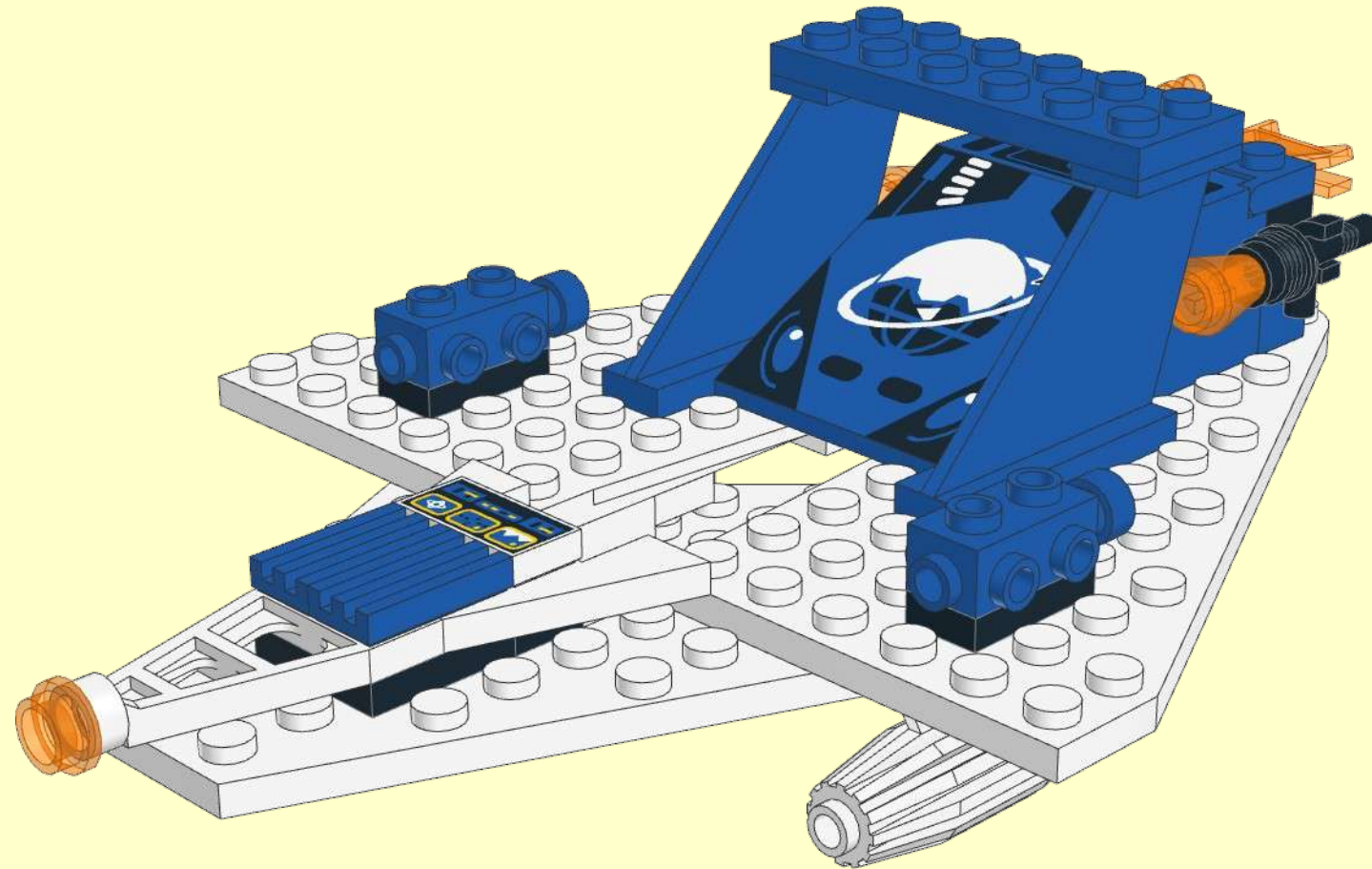
11



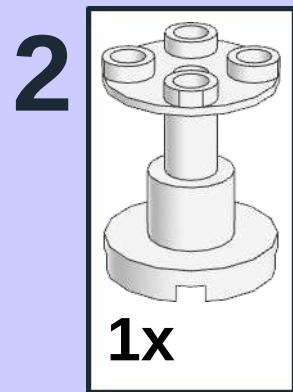
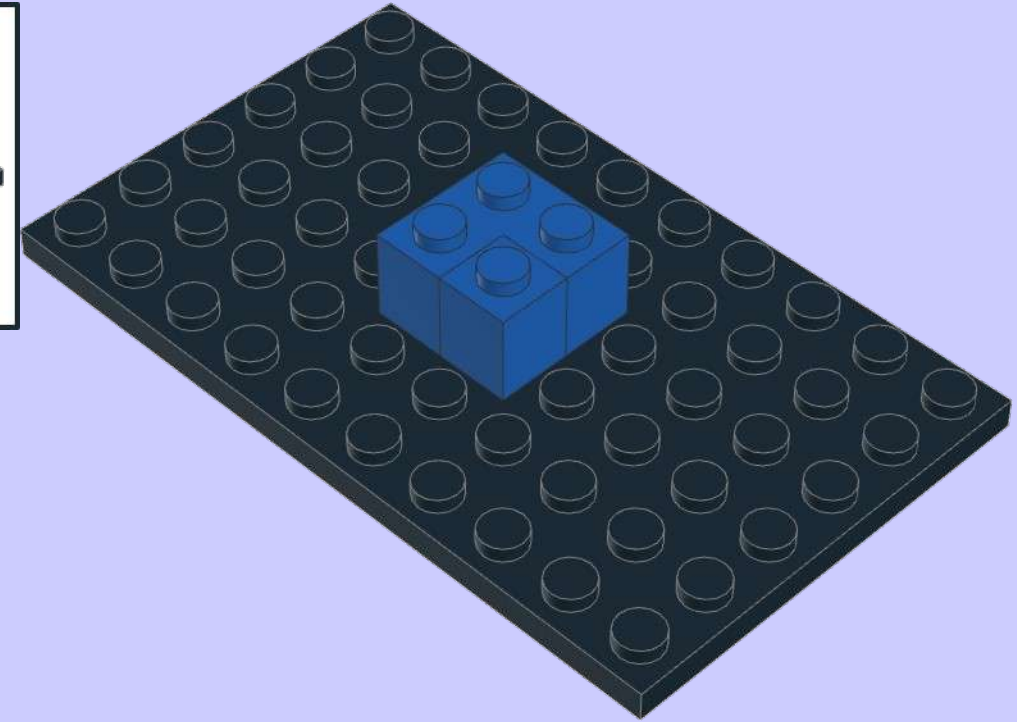
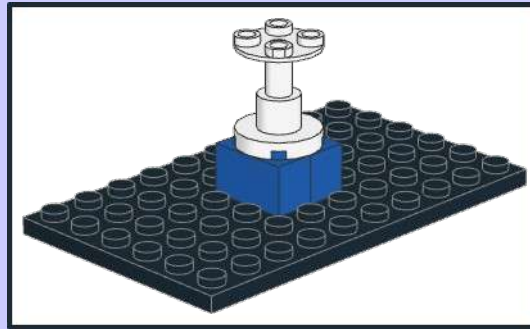
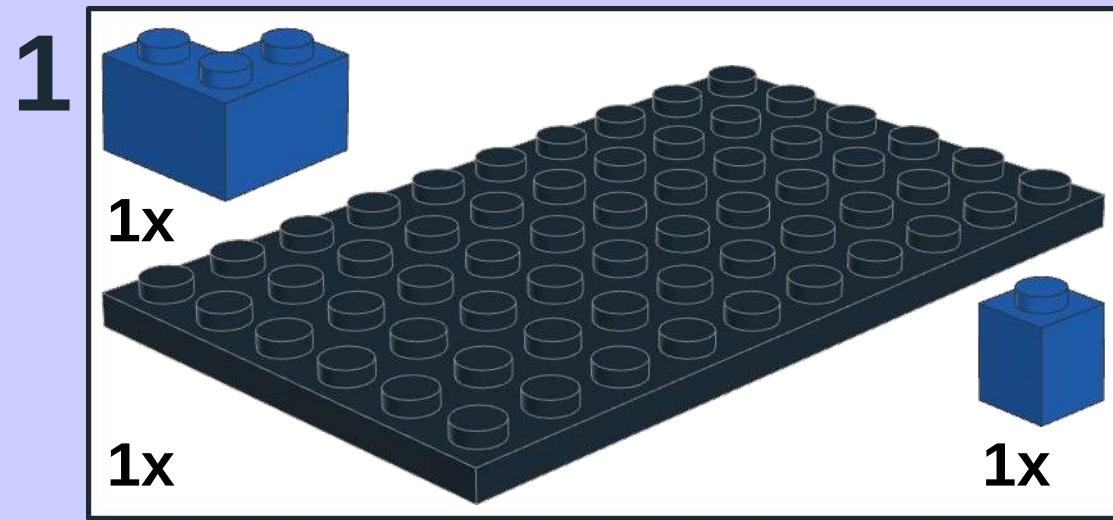
12



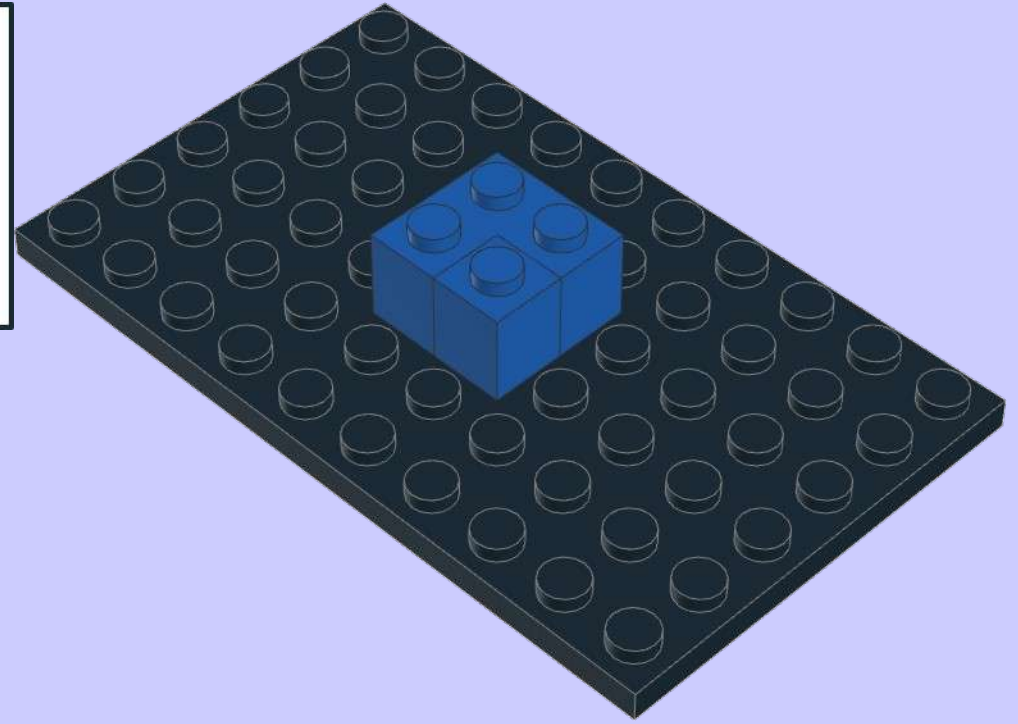
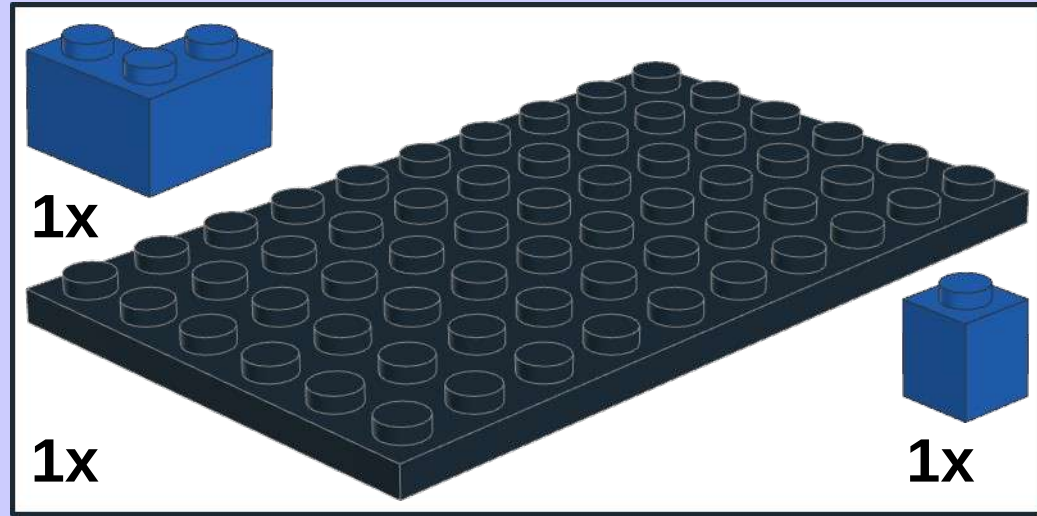
14 
1x



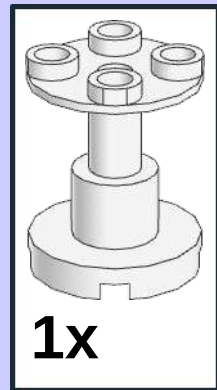
Next two steps are optional, but both stanchions facilitate the build and display of the plane.



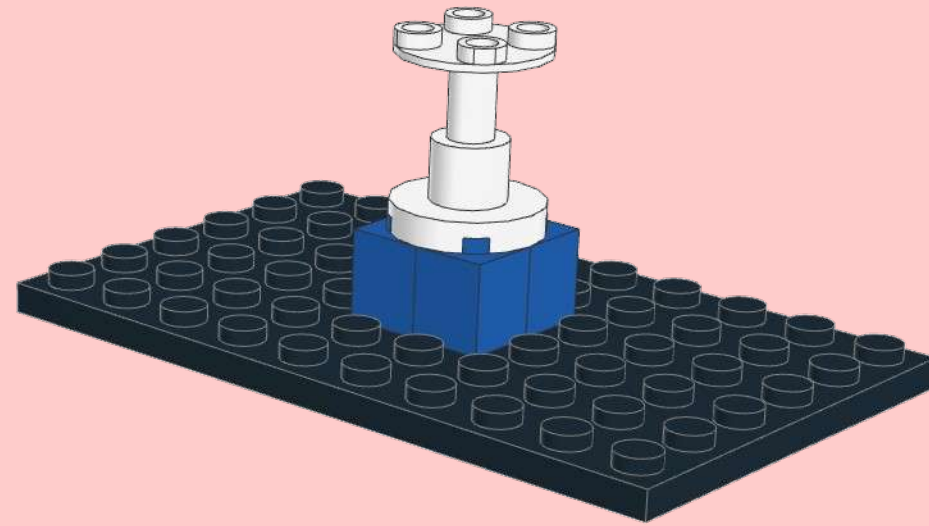
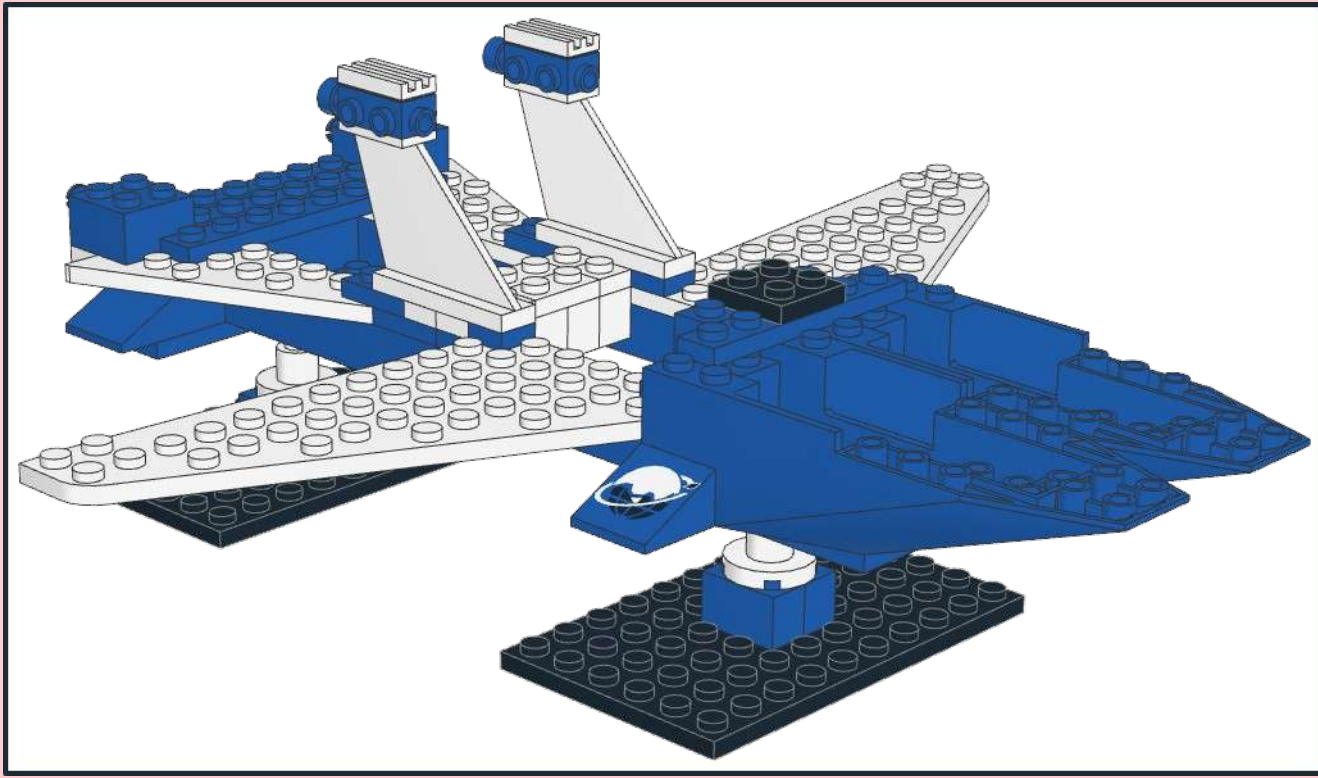
1



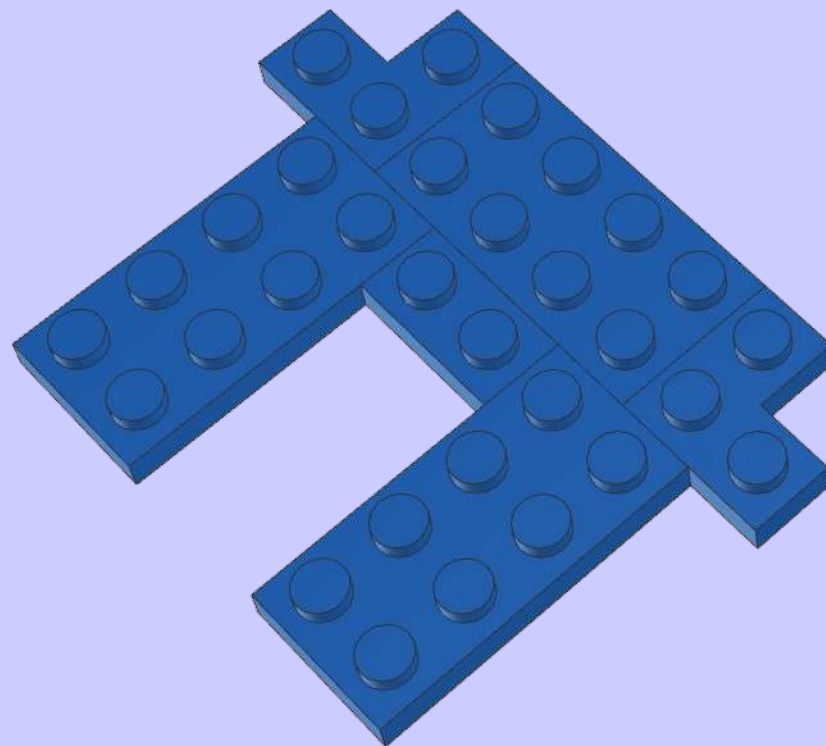
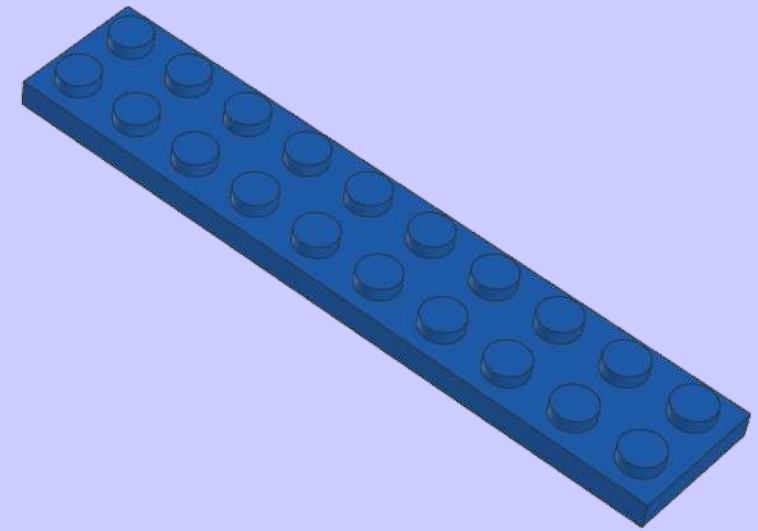
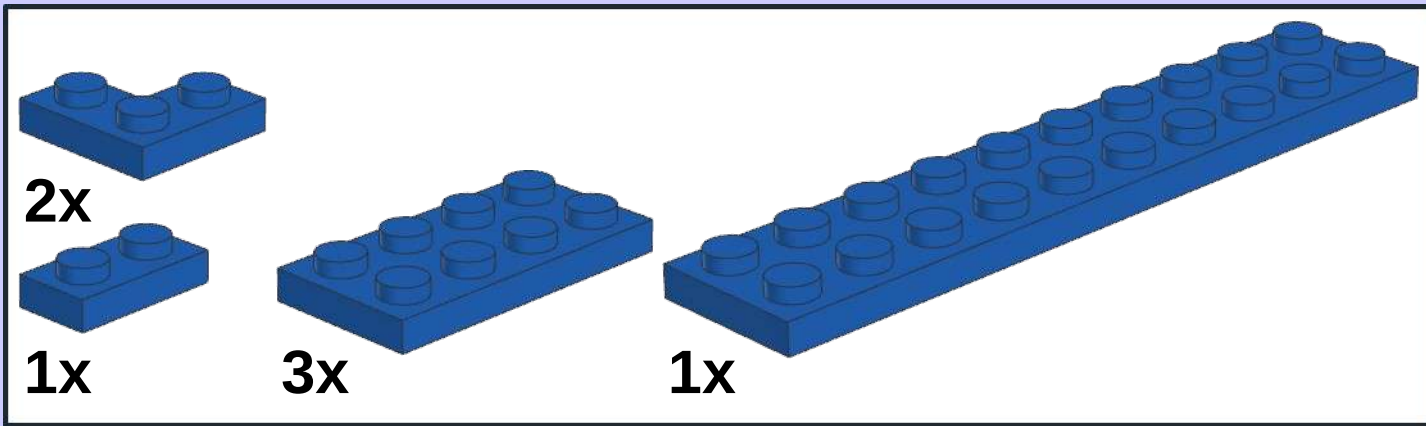
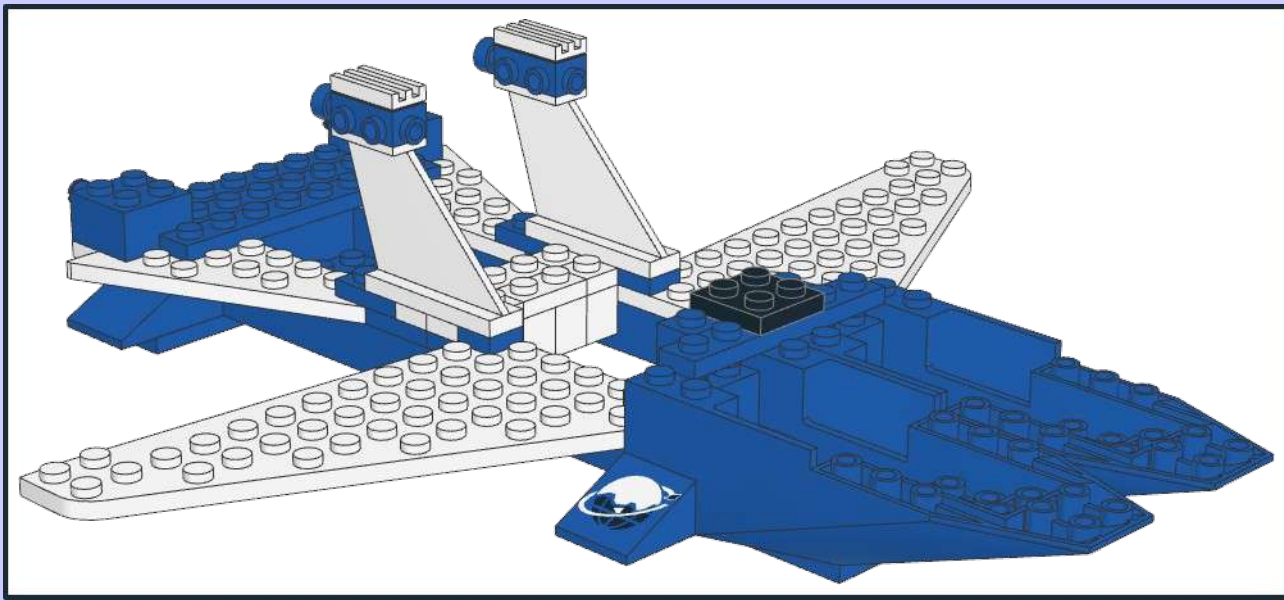
2



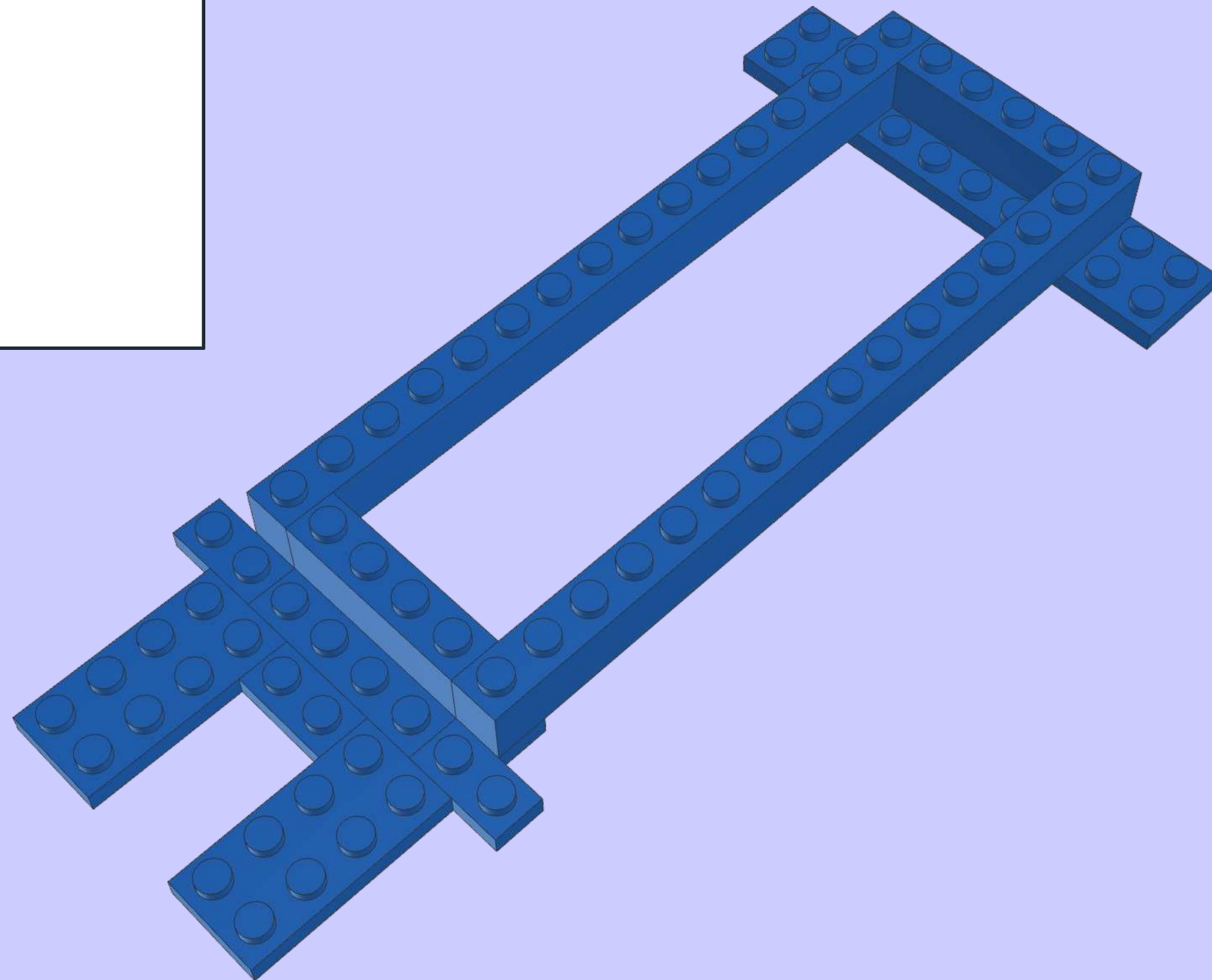
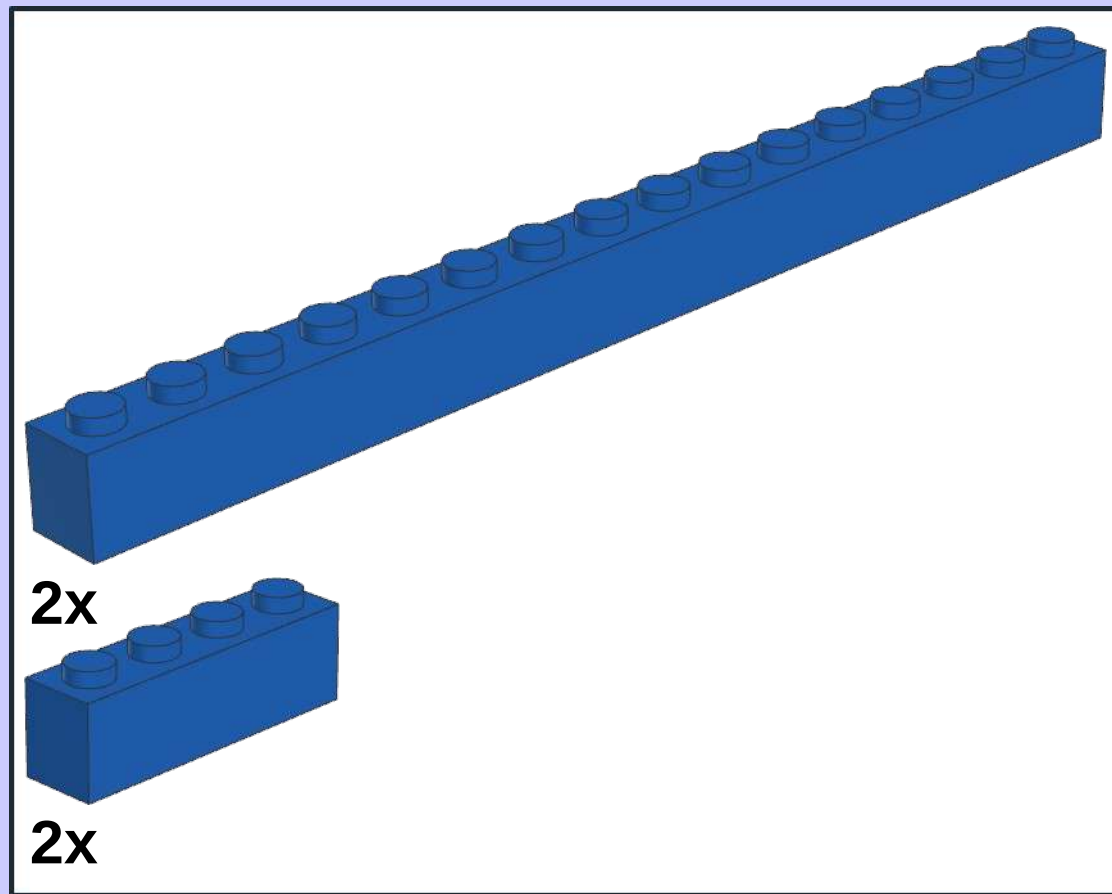
1



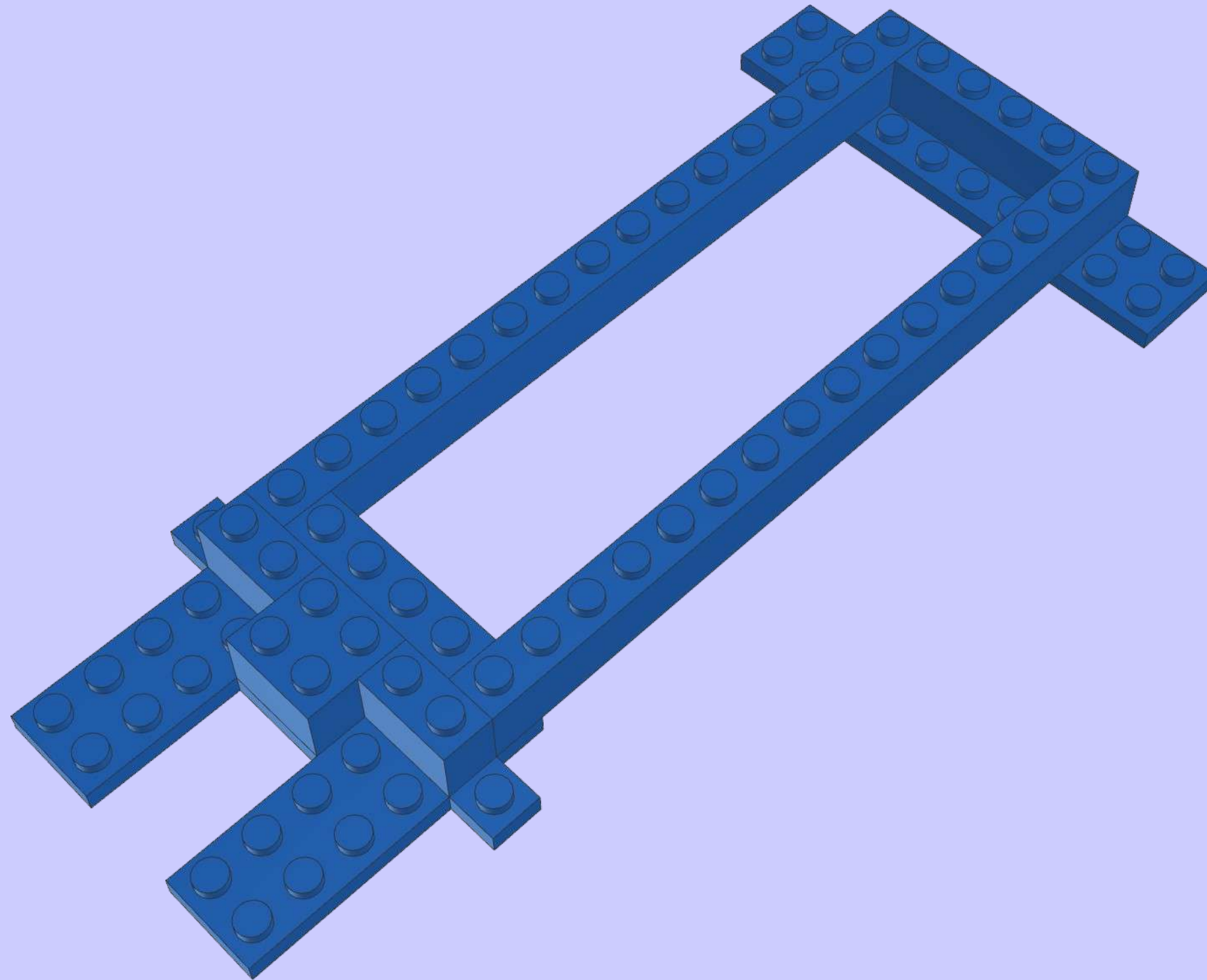
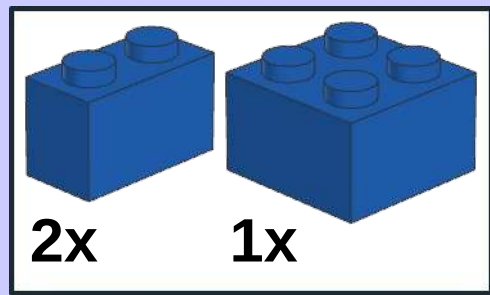
1



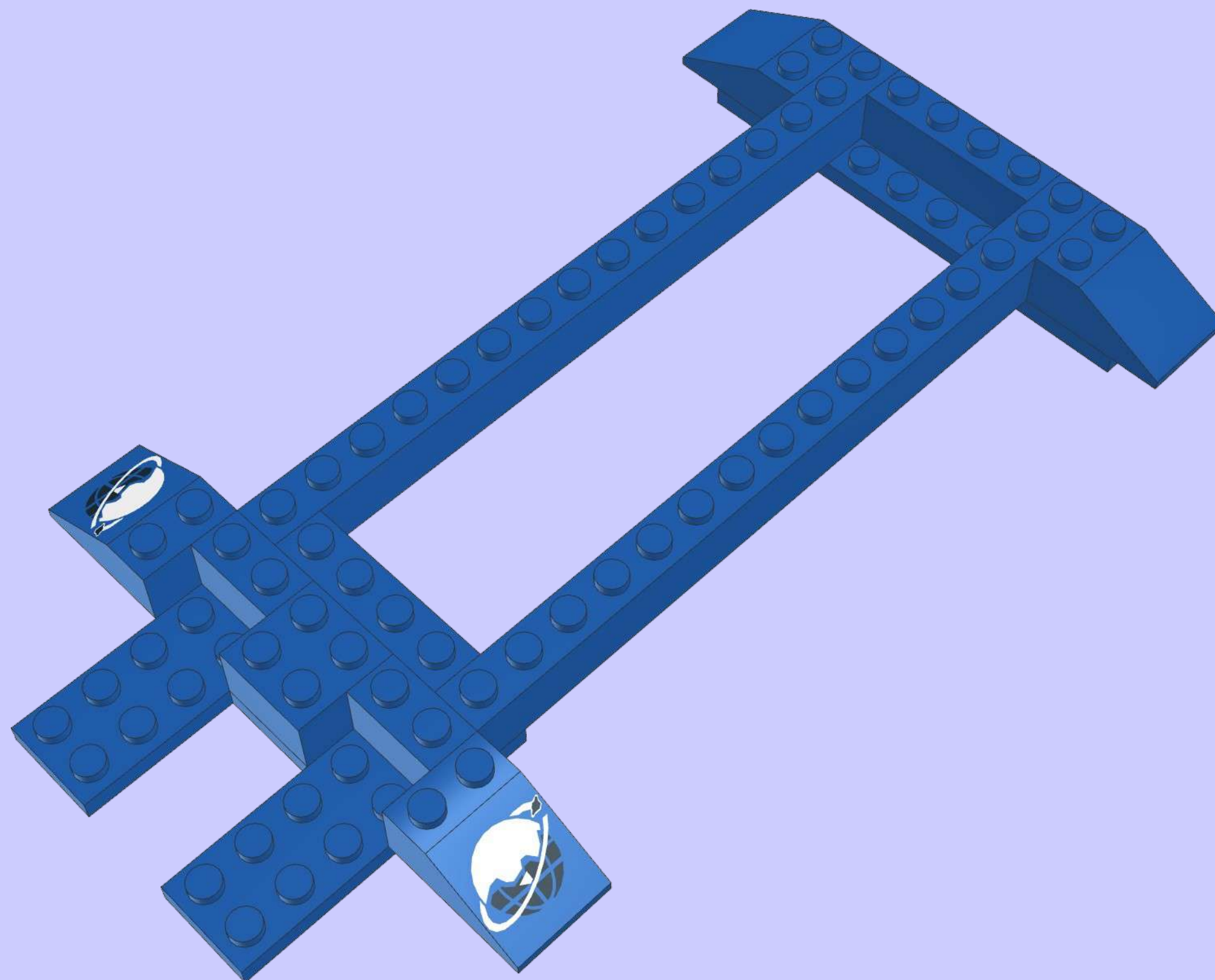
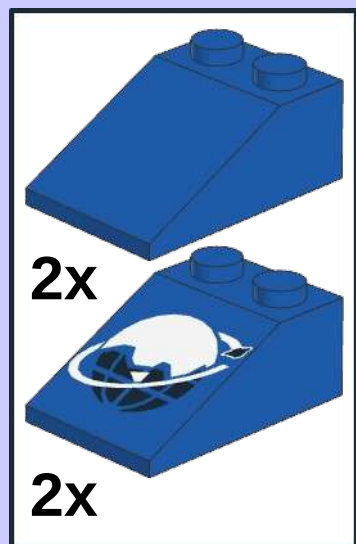
2



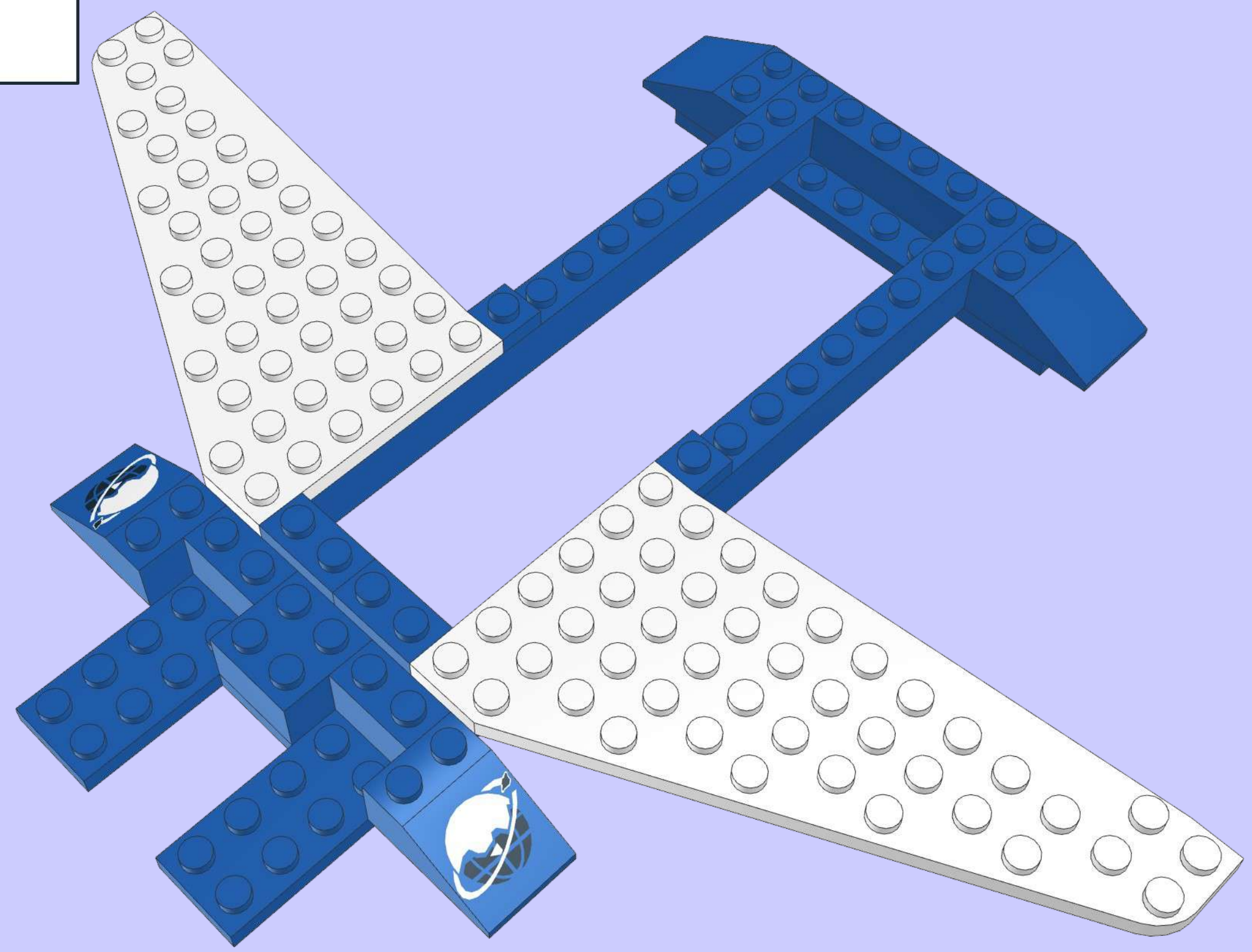
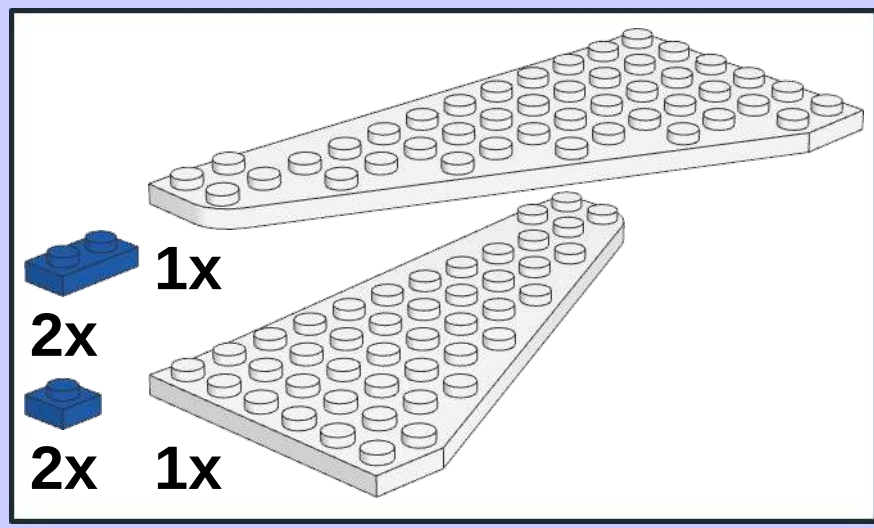
3



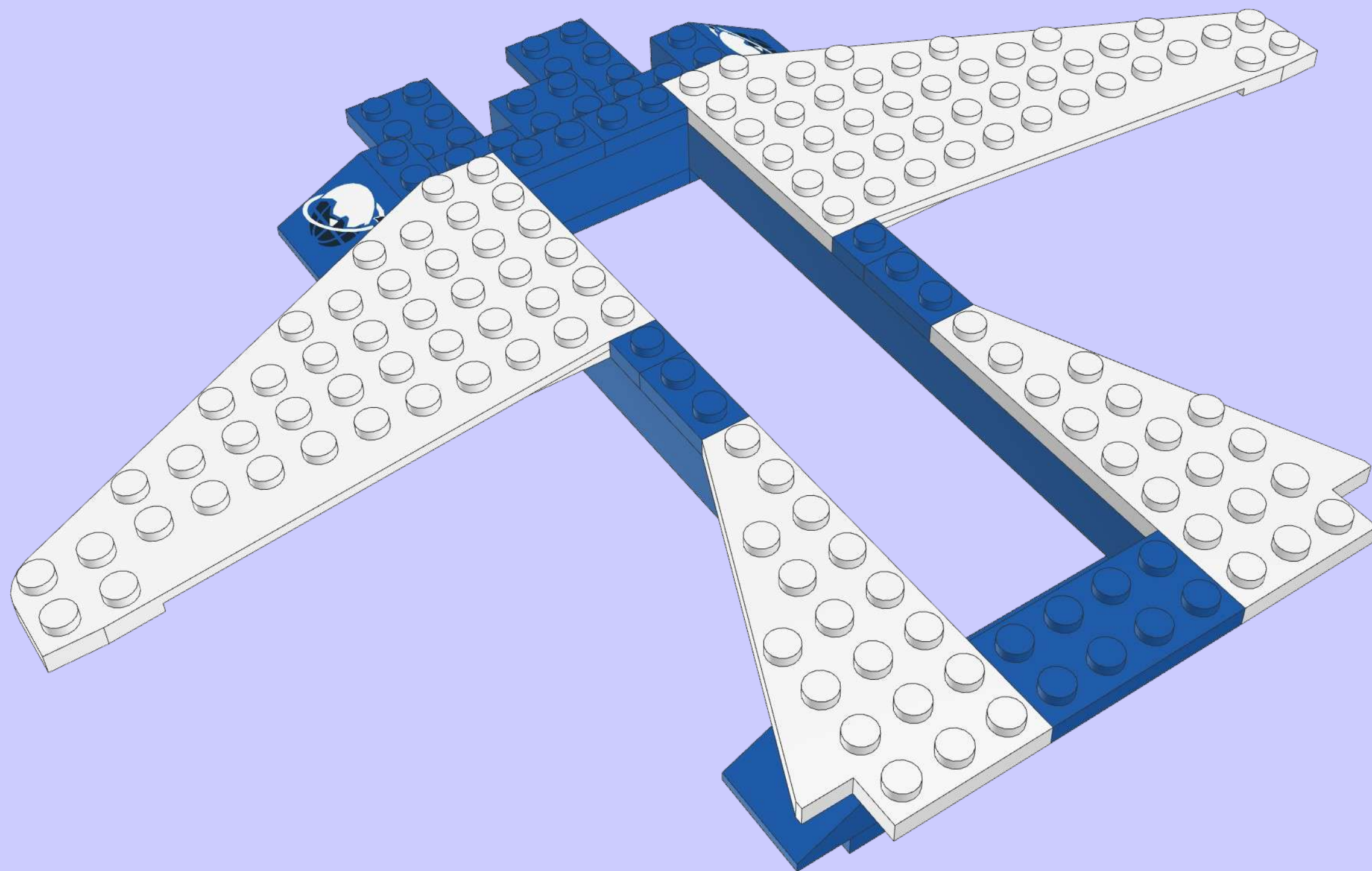
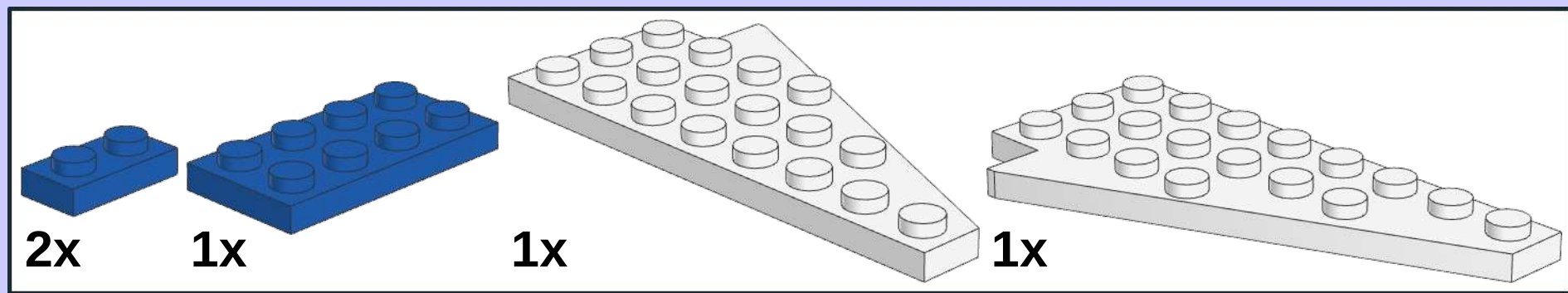
4

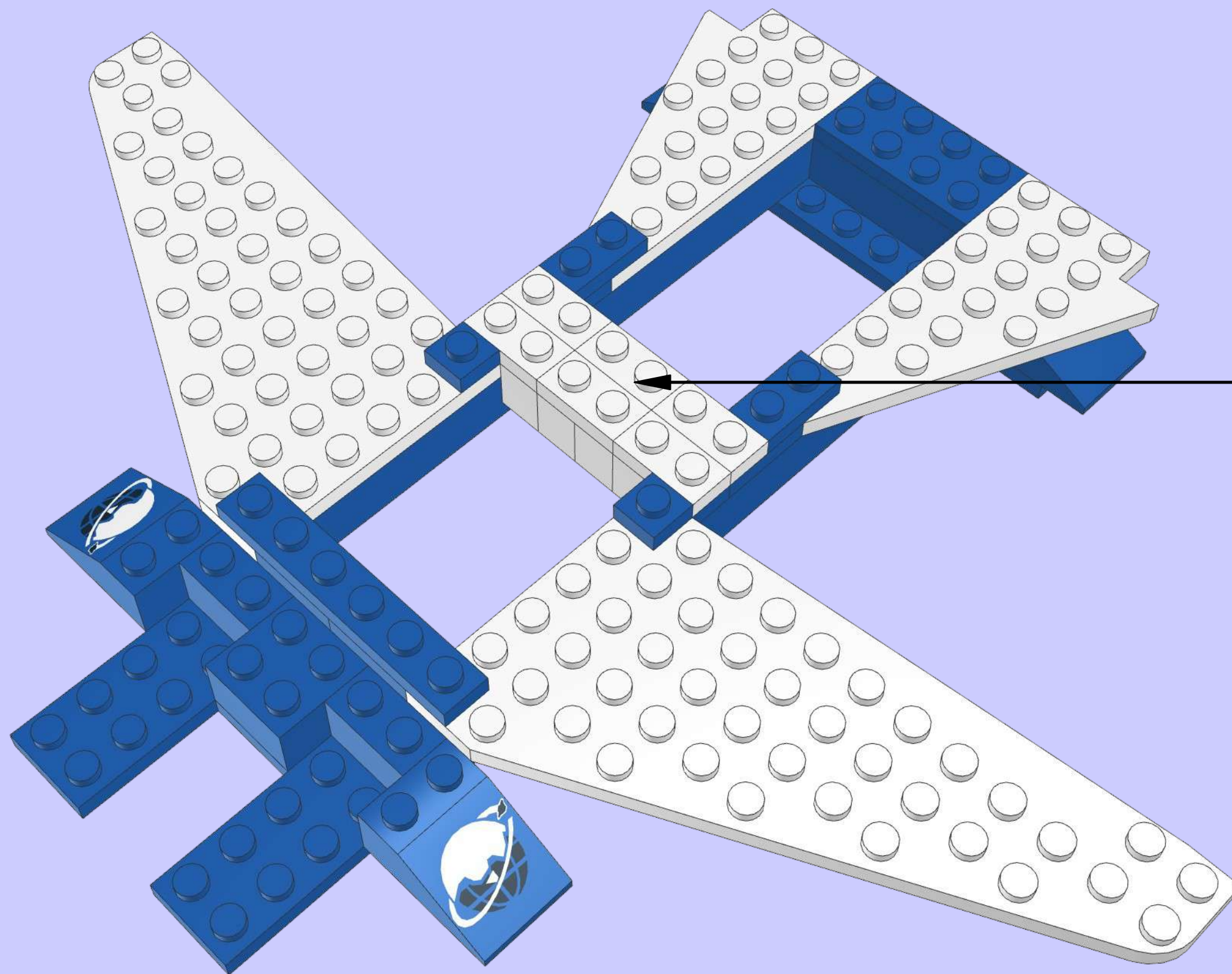


5



6





1

2x

2x

2

2x

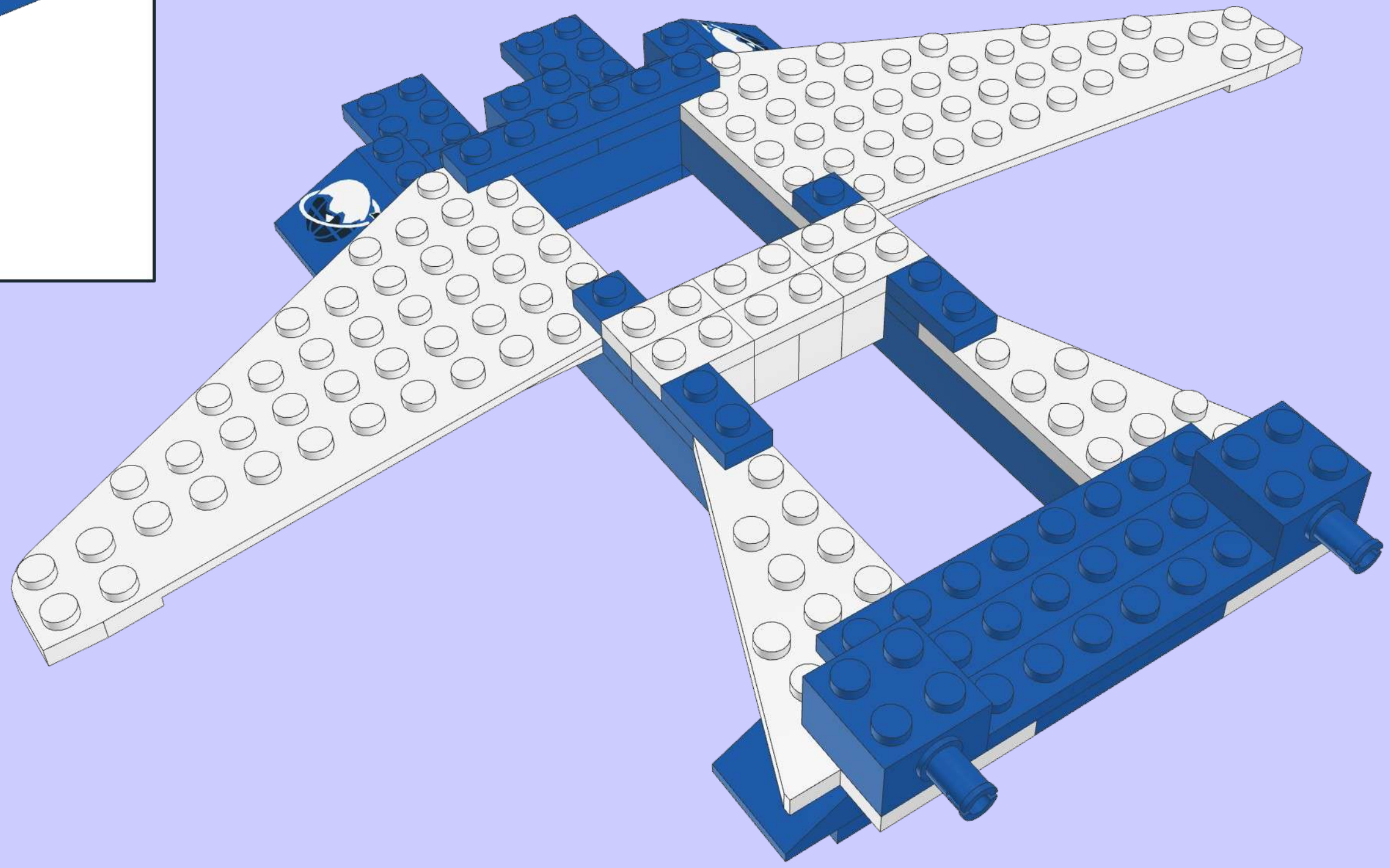
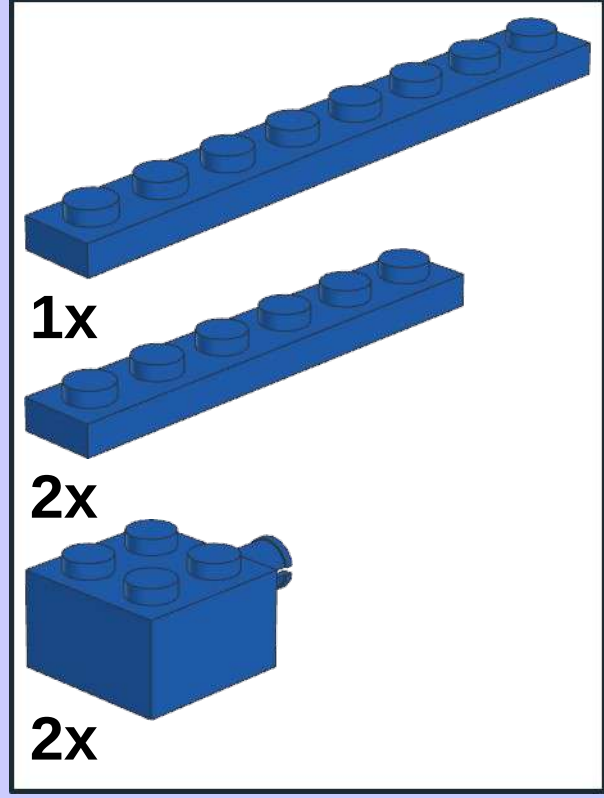
3

4x

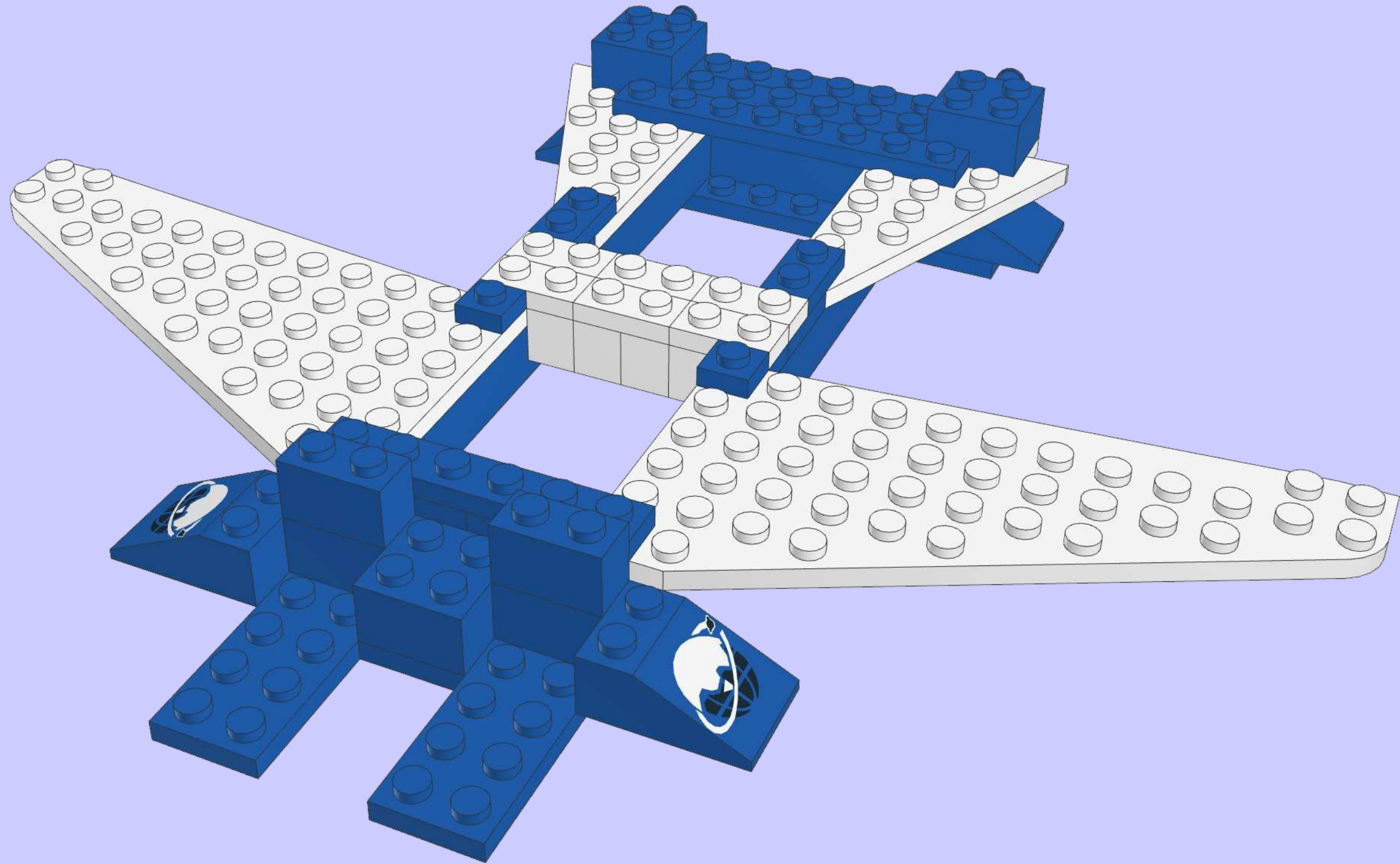
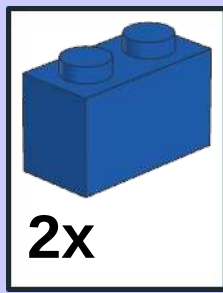
The parts list for step 8 includes:

- 1 x 1x2 white Technic brick
- 2 x 1x2 white Technic bricks with a hole
- 2 x 1x2 white Technic bricks with a hole and a pin
- 2 x 1x2 white Technic bricks with a hole
- 4 x 1x4 white Technic bricks with a hole

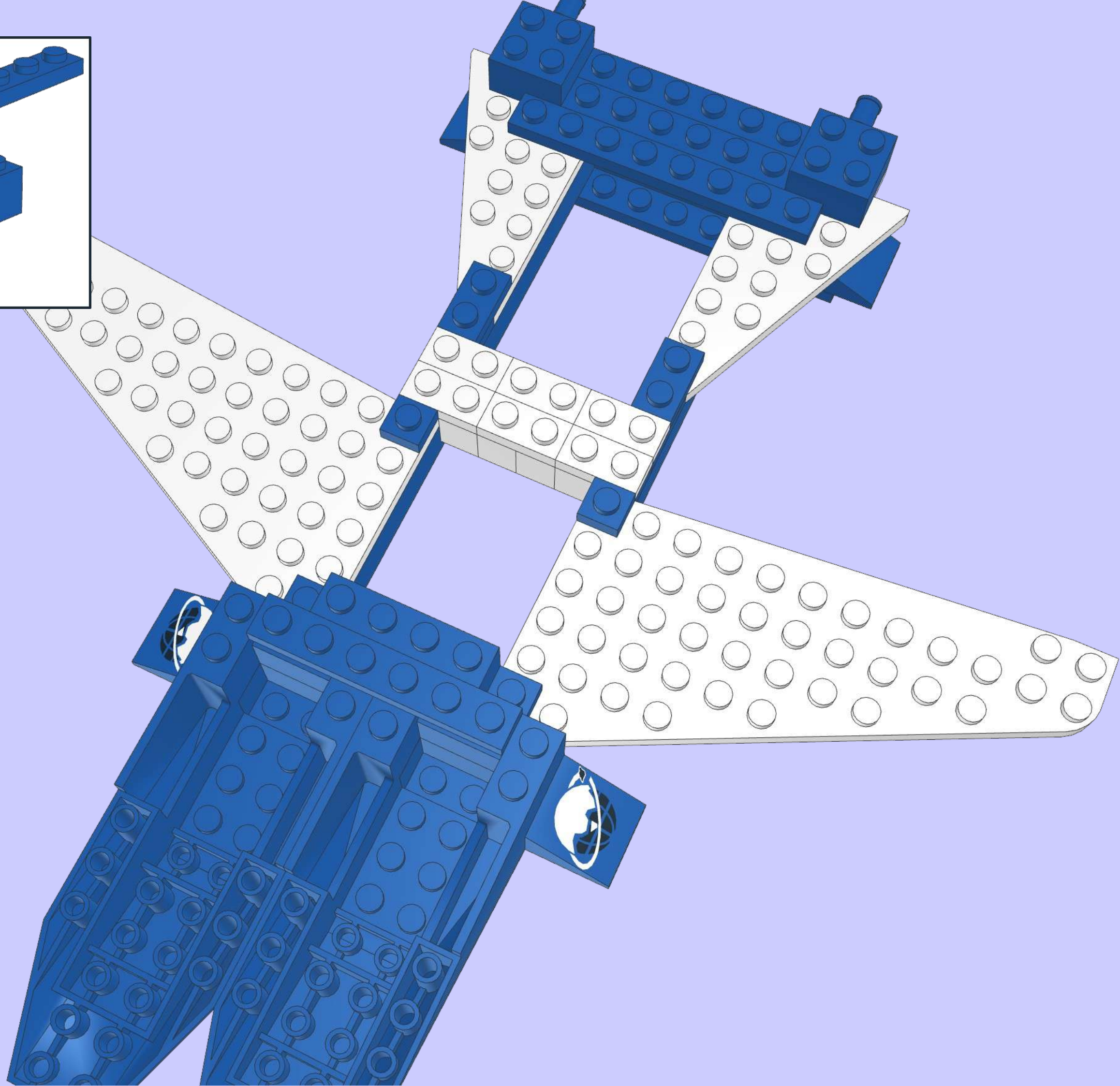
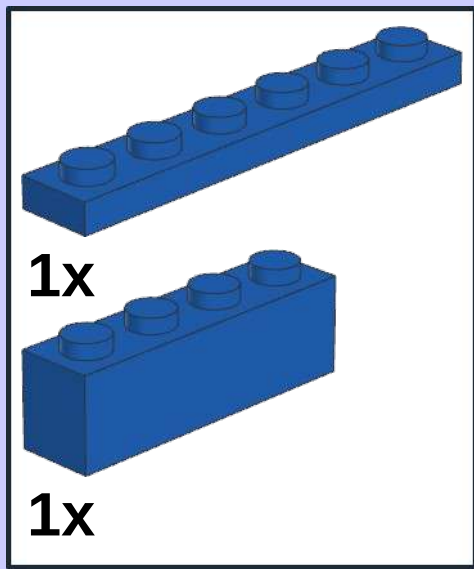
9



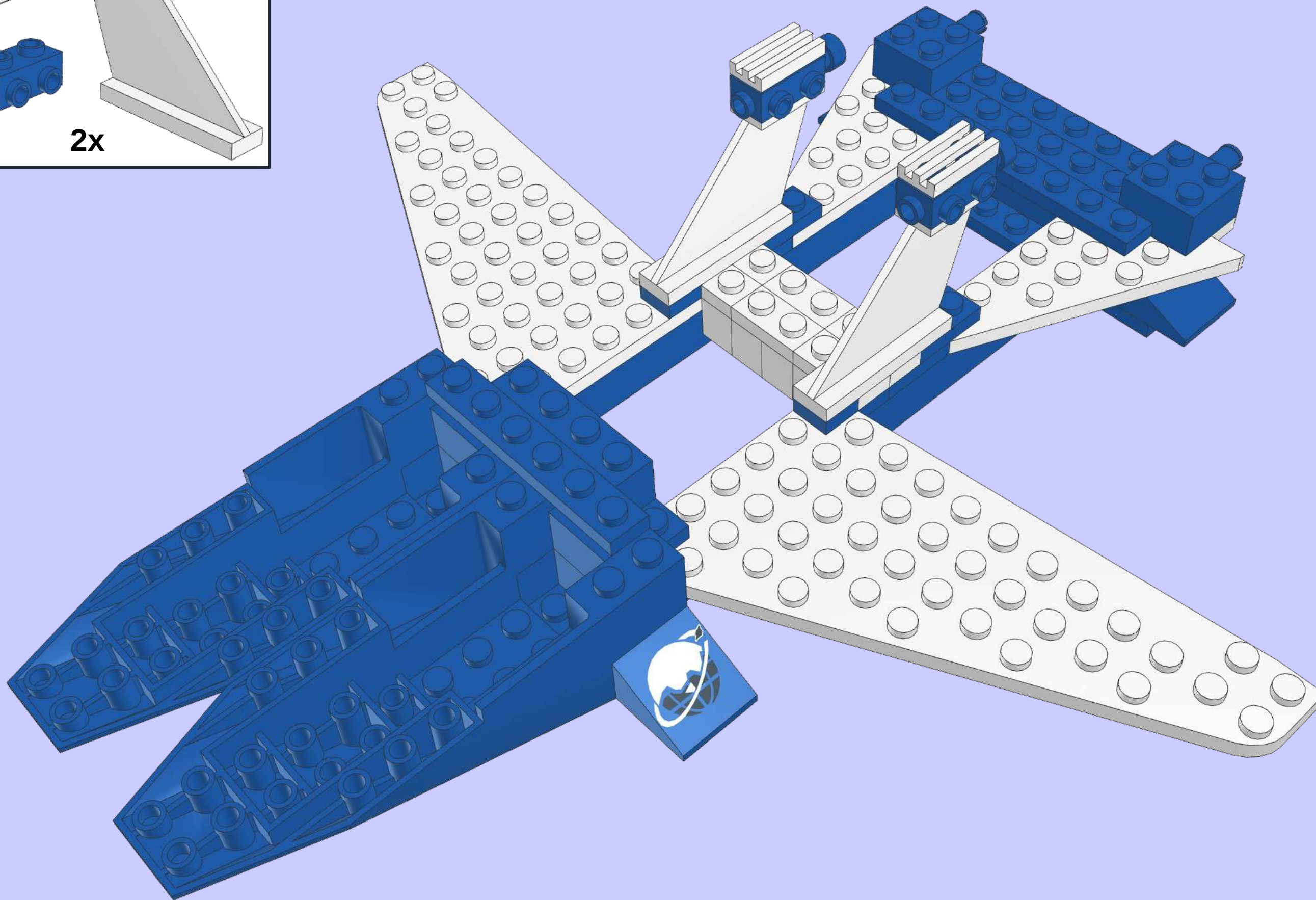
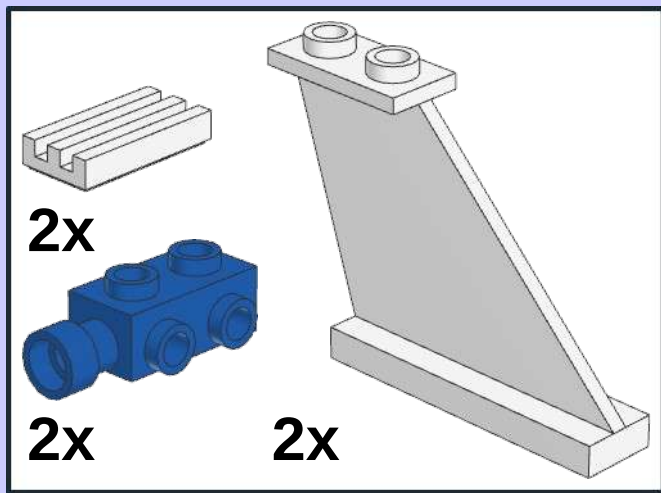
10



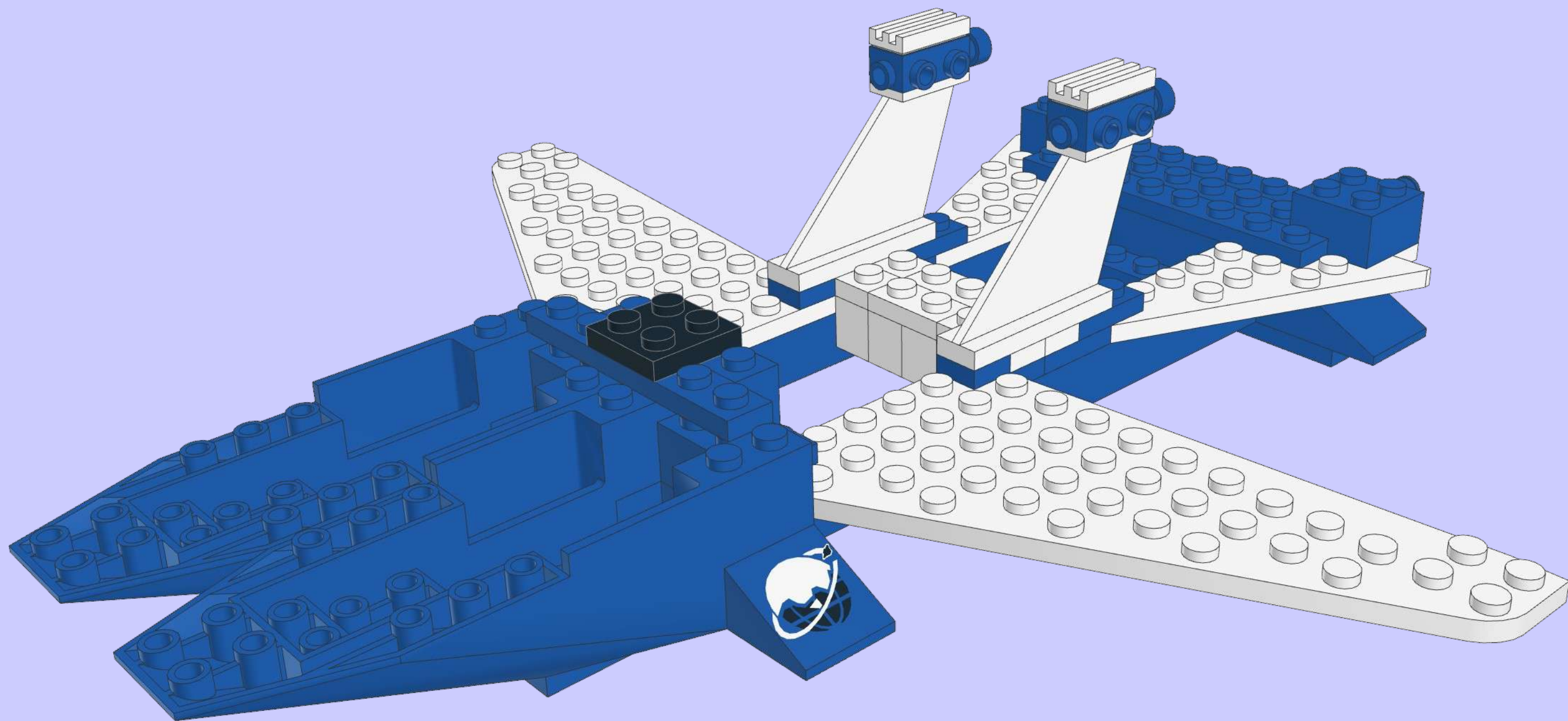
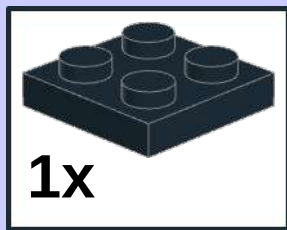
12

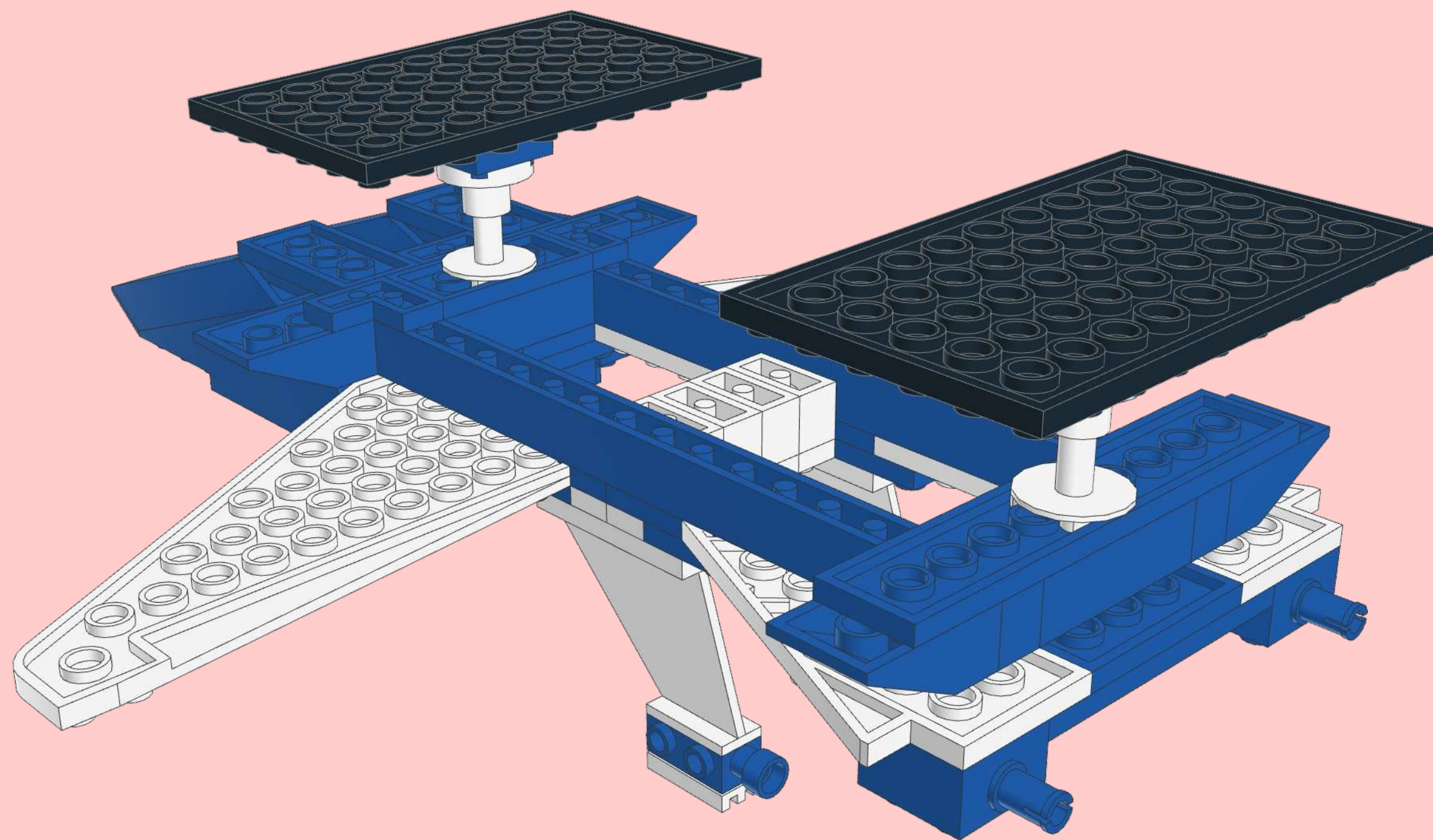


13

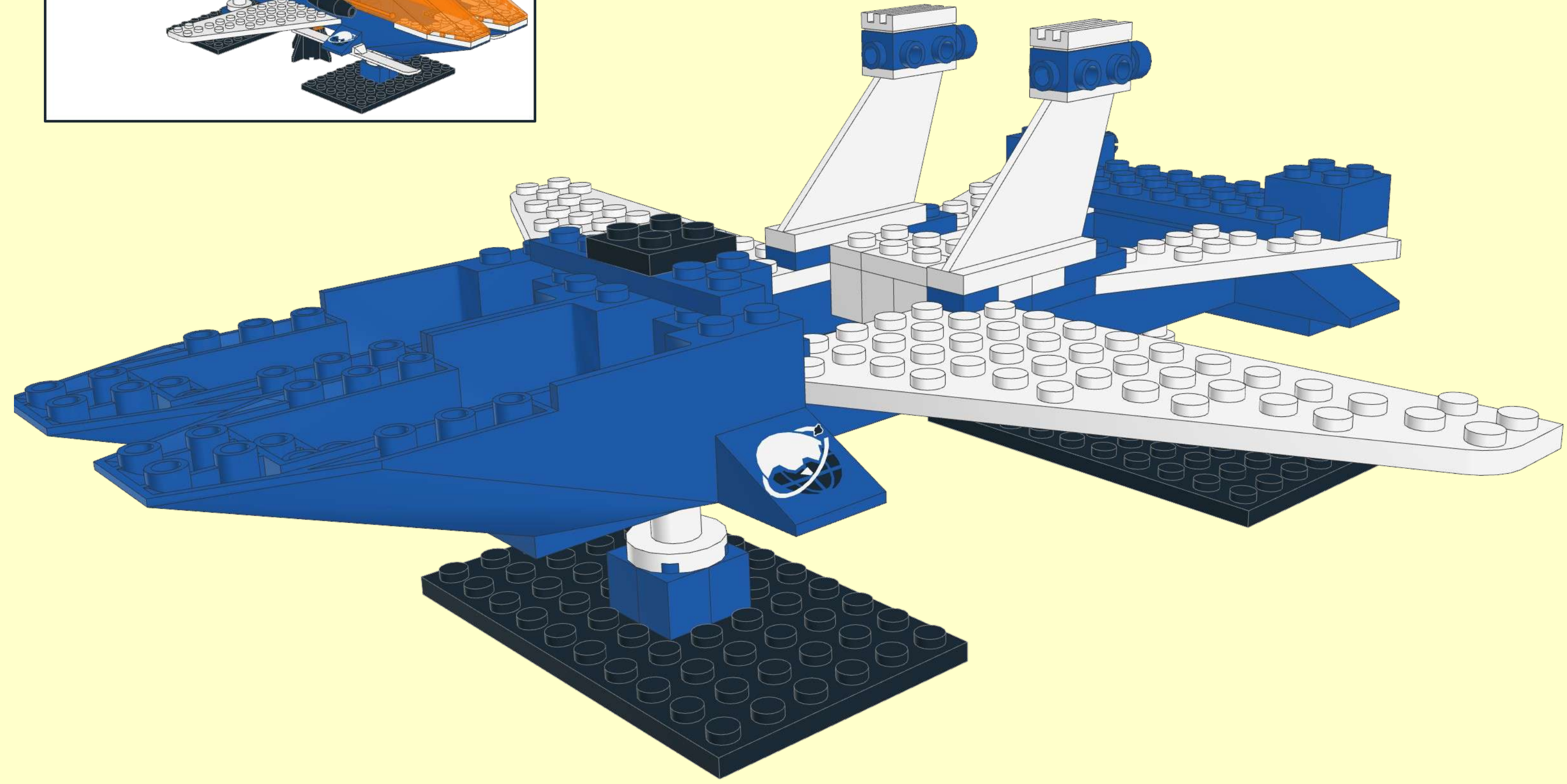
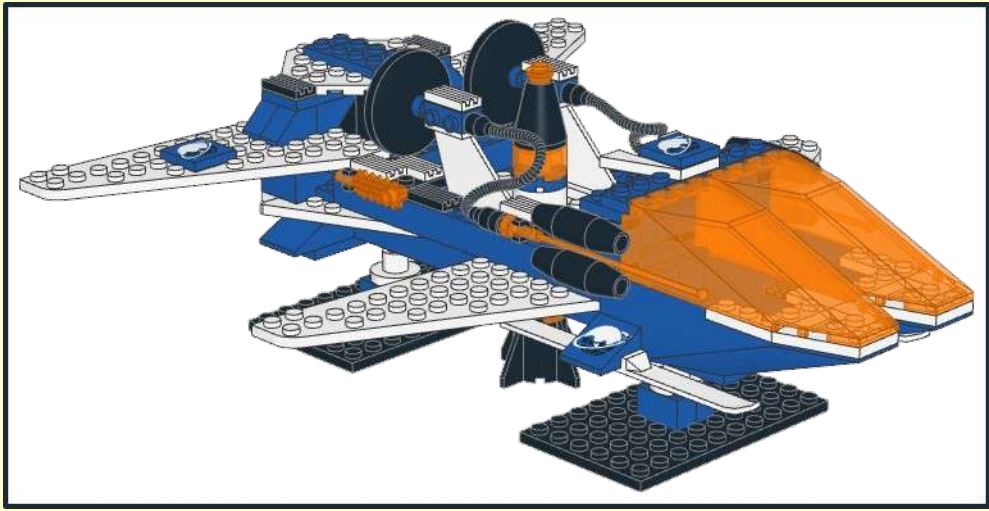


14

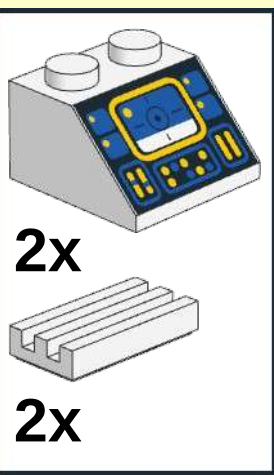




1

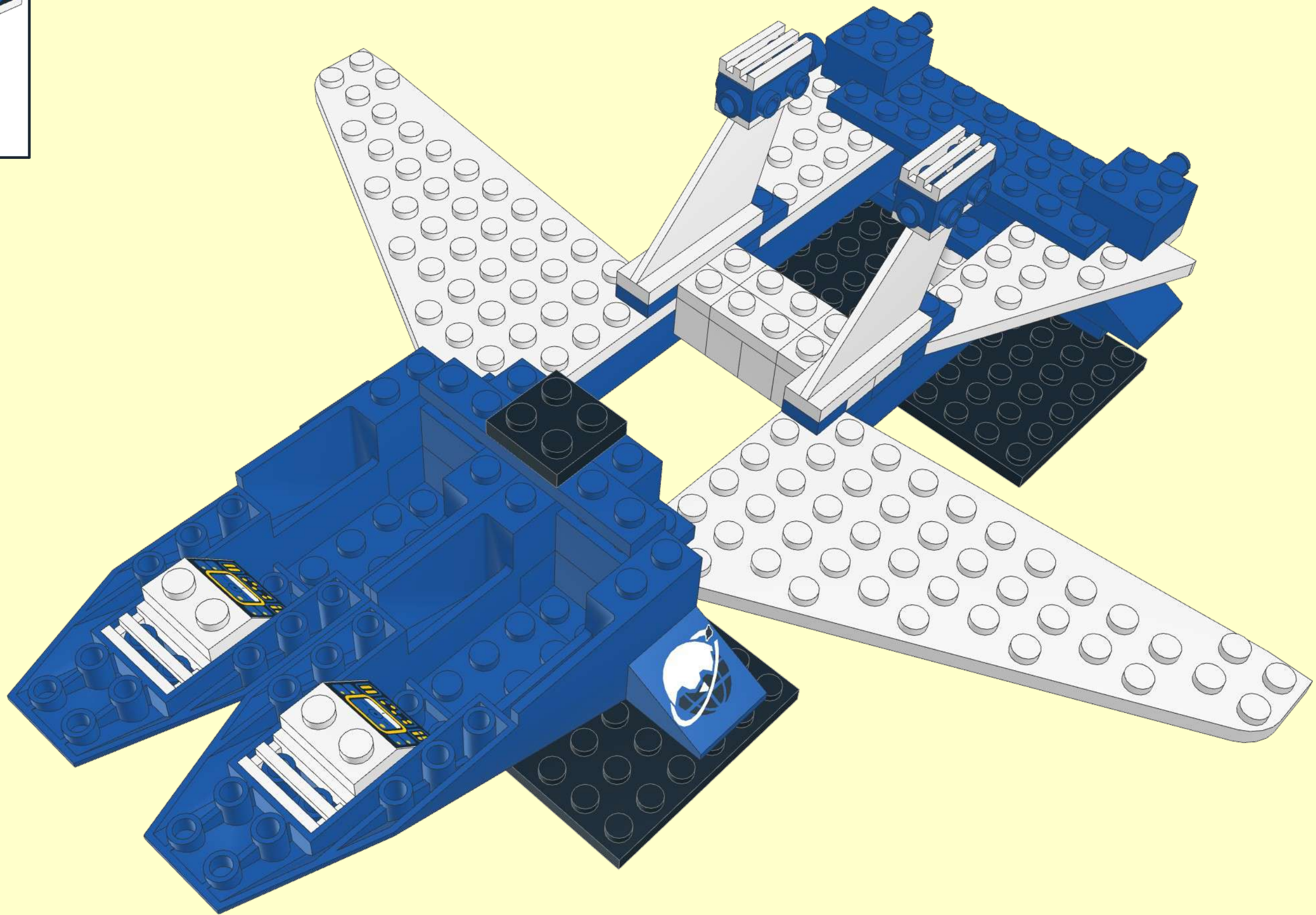


2

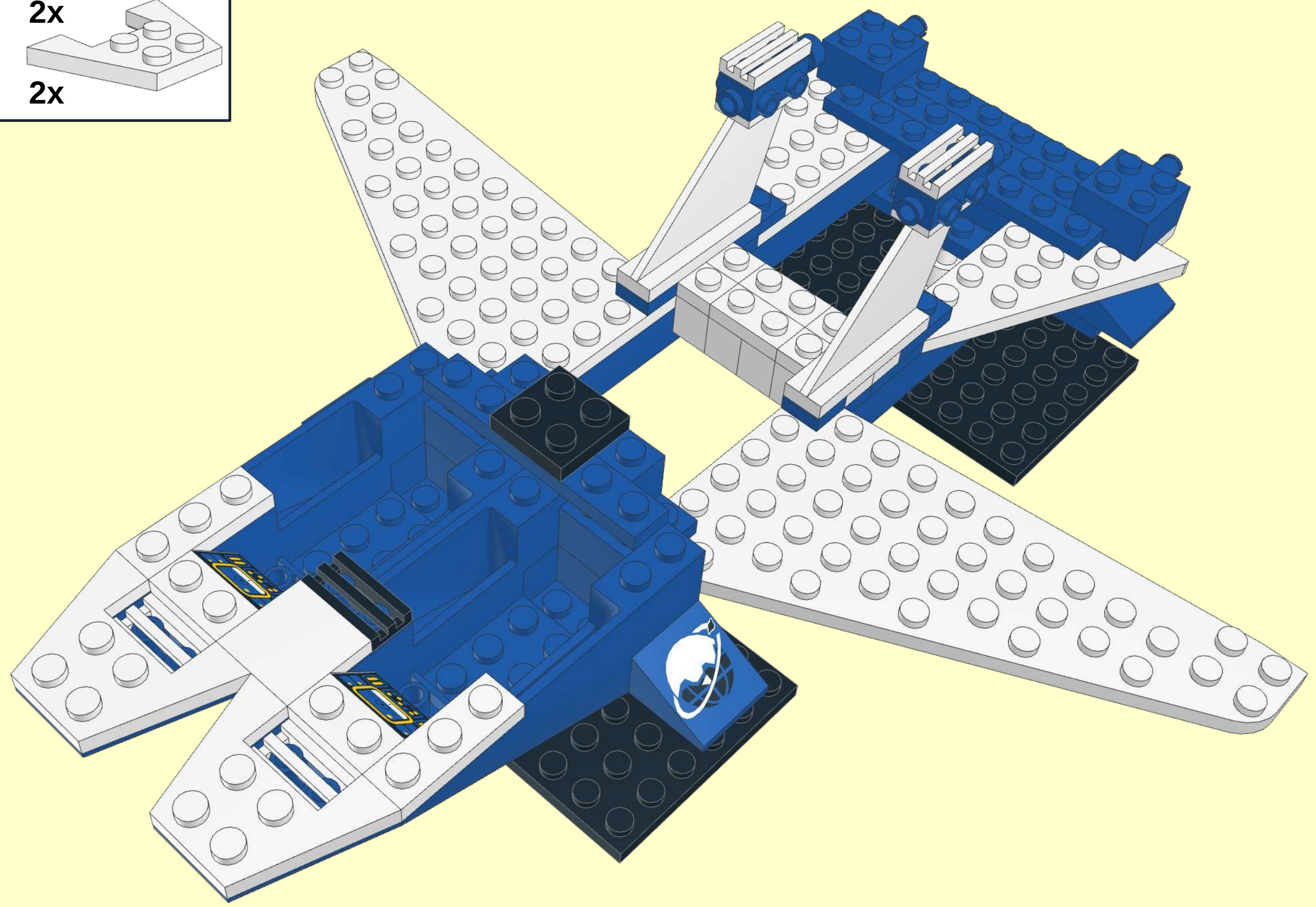
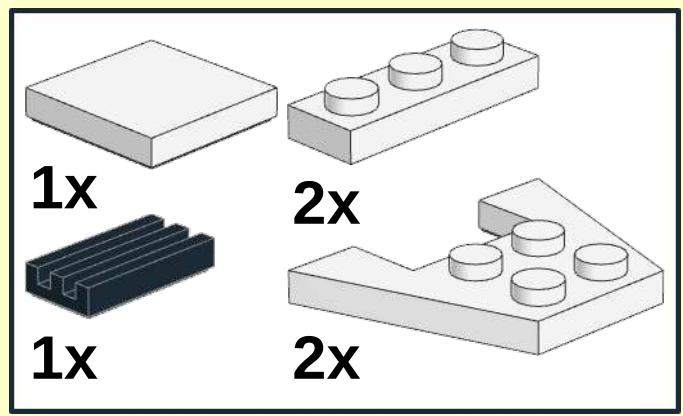


2x

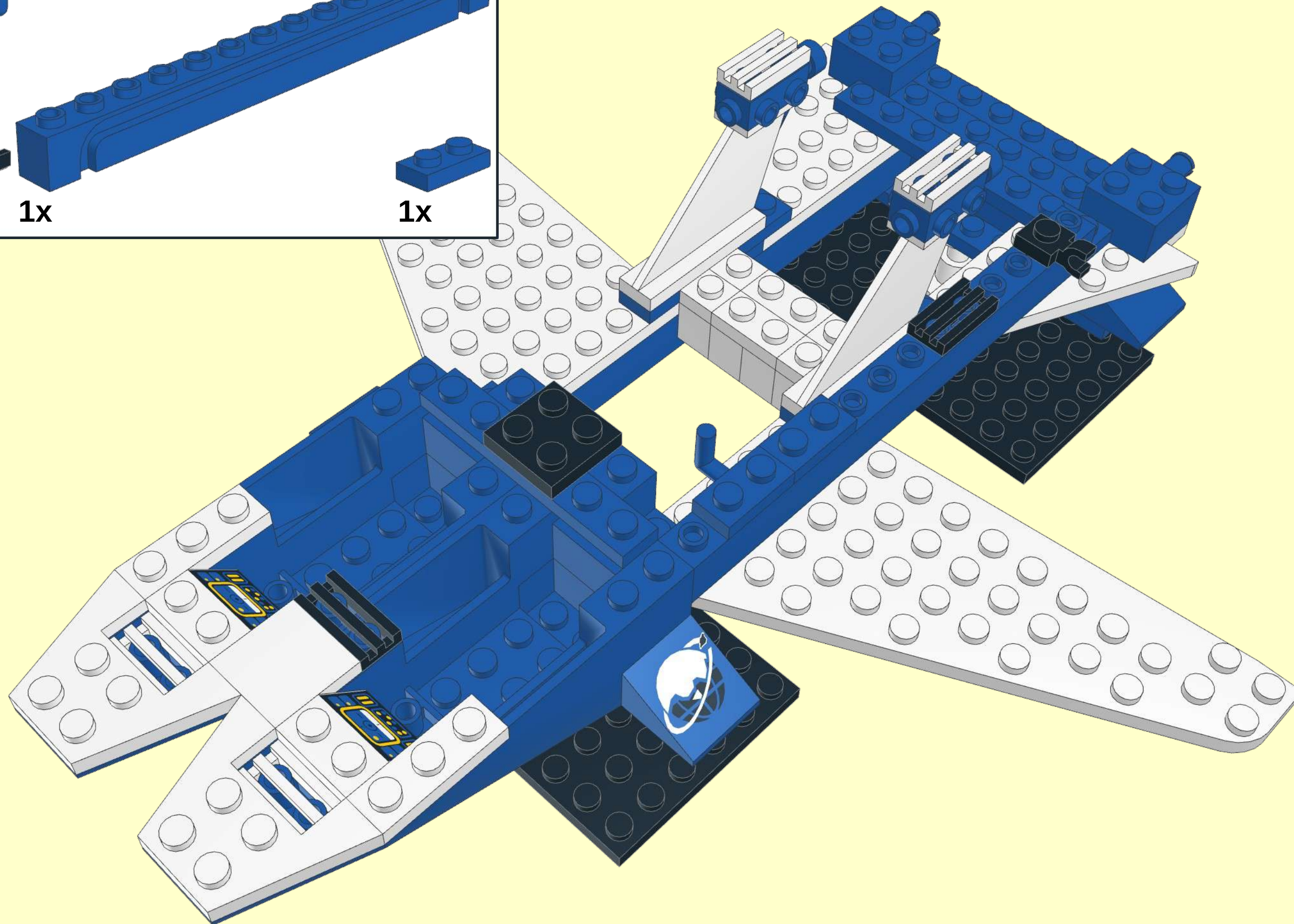
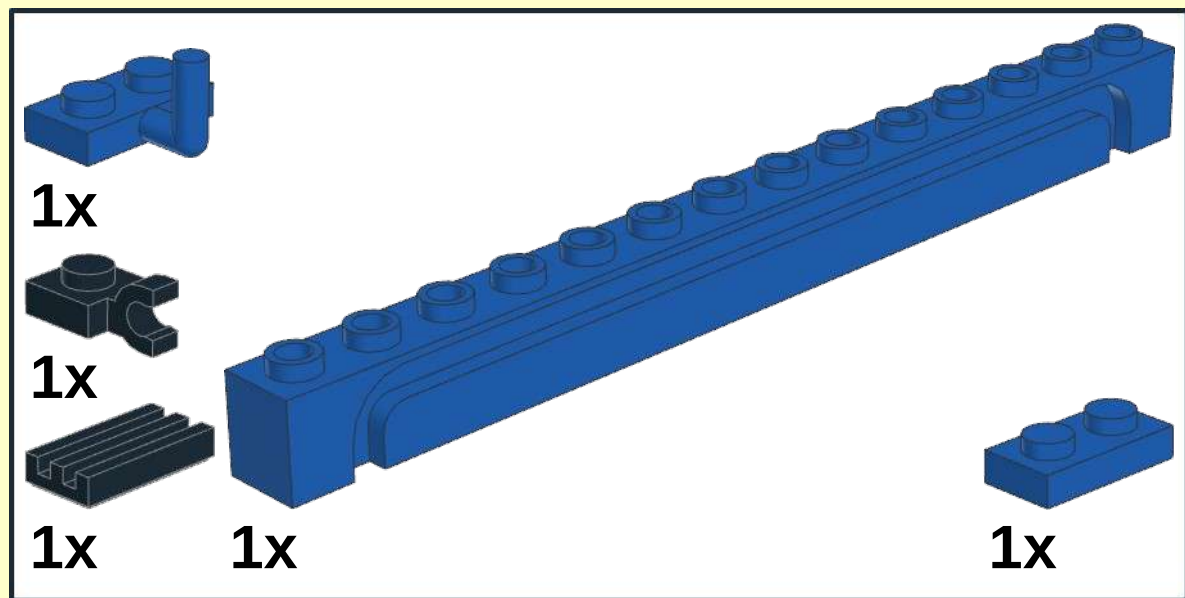
2x



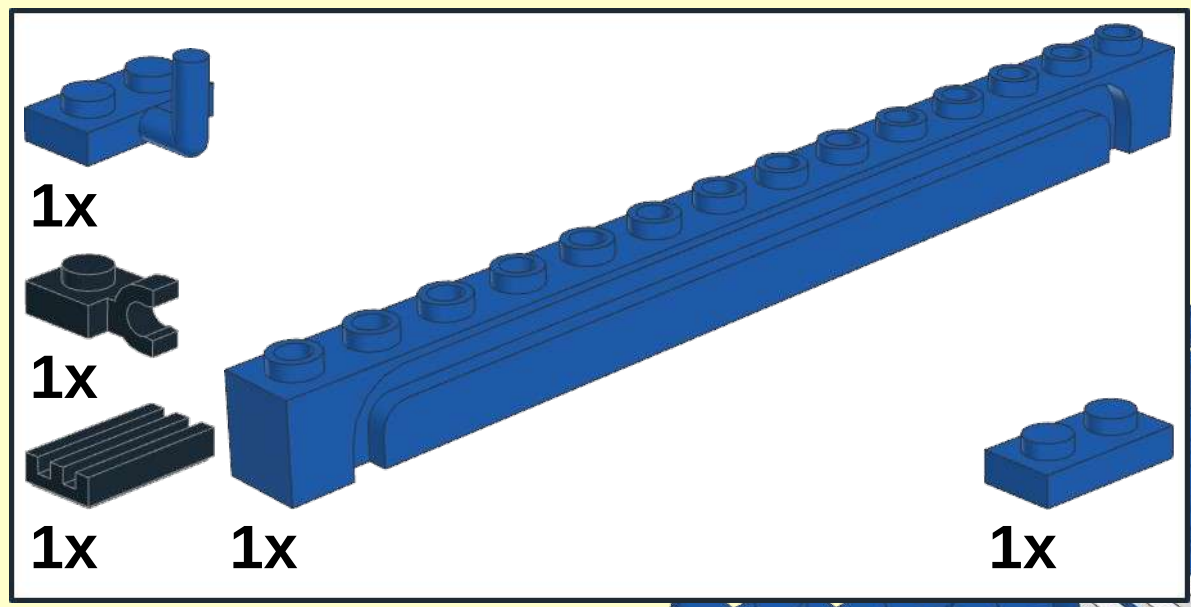
3



4



5



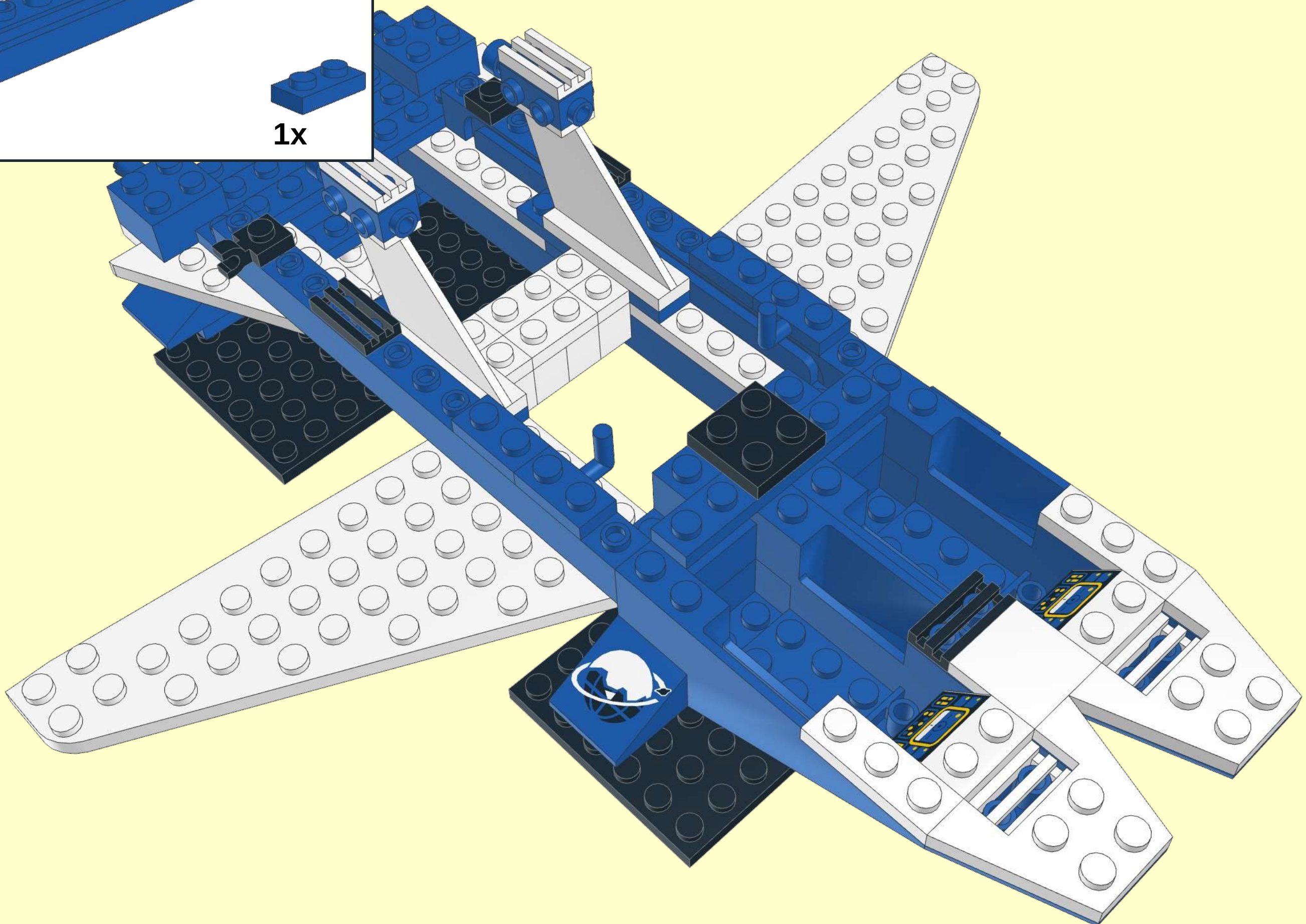
1x
1x
1x
1x

1x

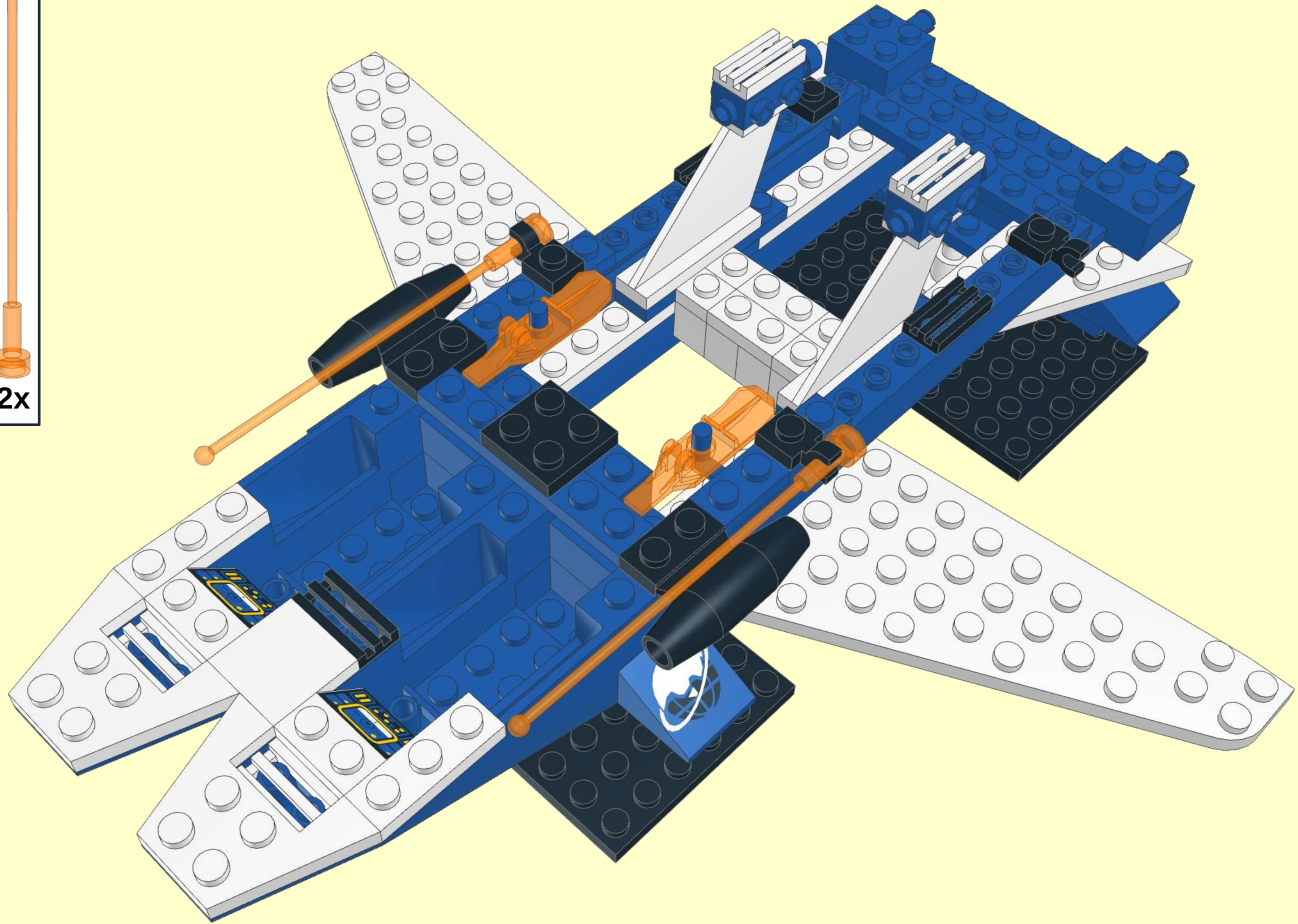
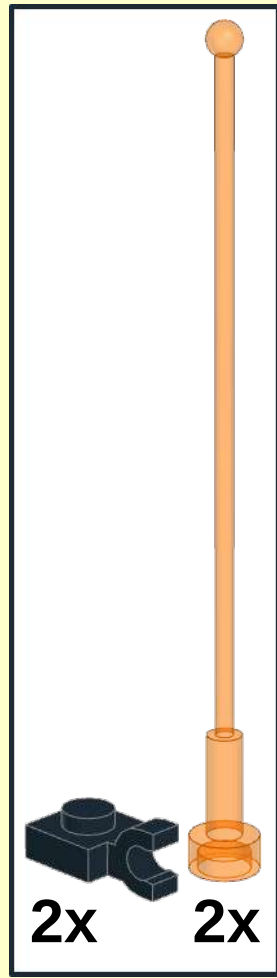
1x

1x

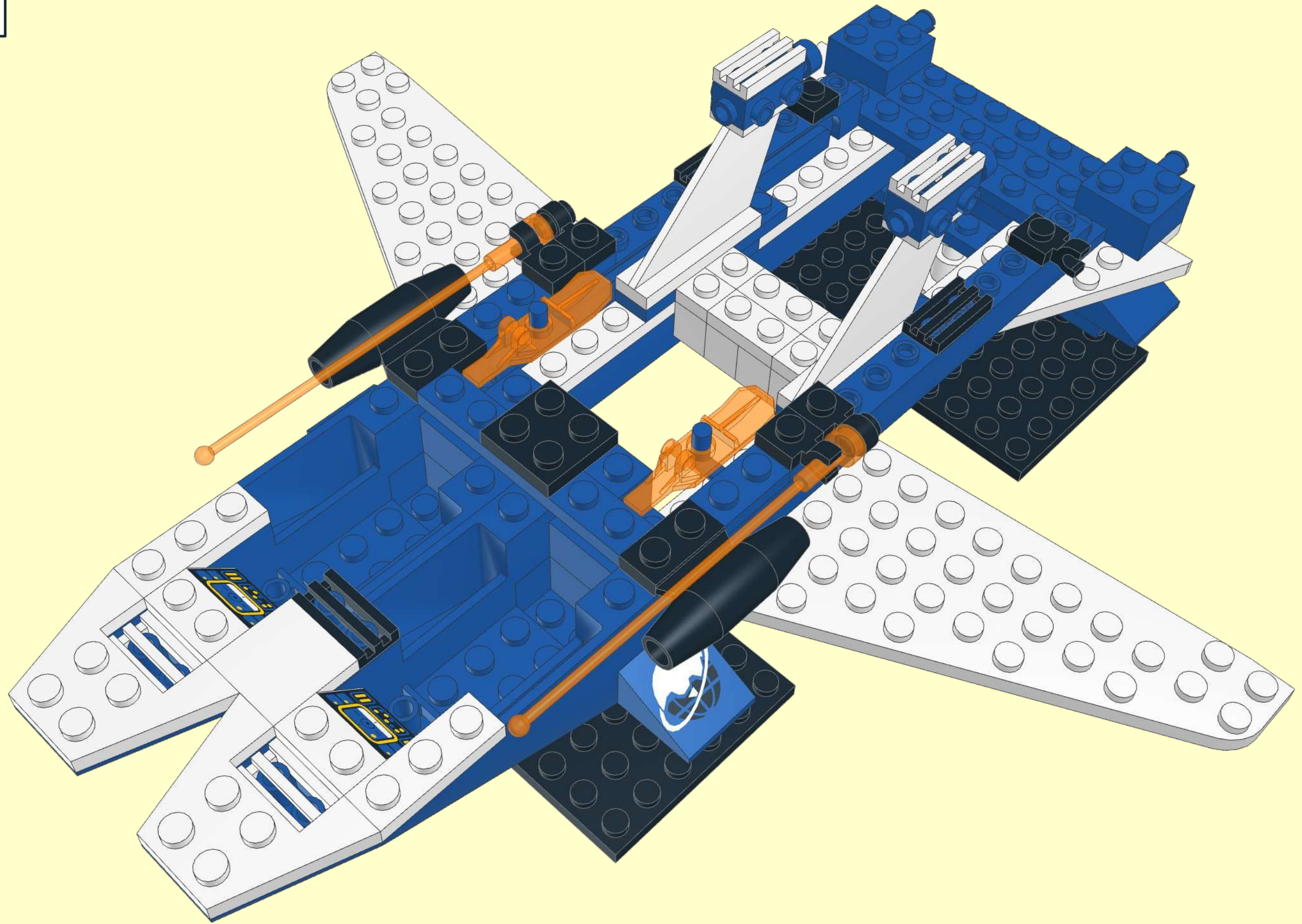
This inset box lists the parts required for step 5. It includes a 1x blue Technic beam with 11 holes and a 1x blue Technic beam with 3 holes and a 1x blue Technic beam with 2 holes. The parts are shown with their respective quantities: 1x for the 11-hole beam, 1x for the 3-hole beam, 1x for the 2-hole beam, and 1x for a small blue 1x2 Technic beam.



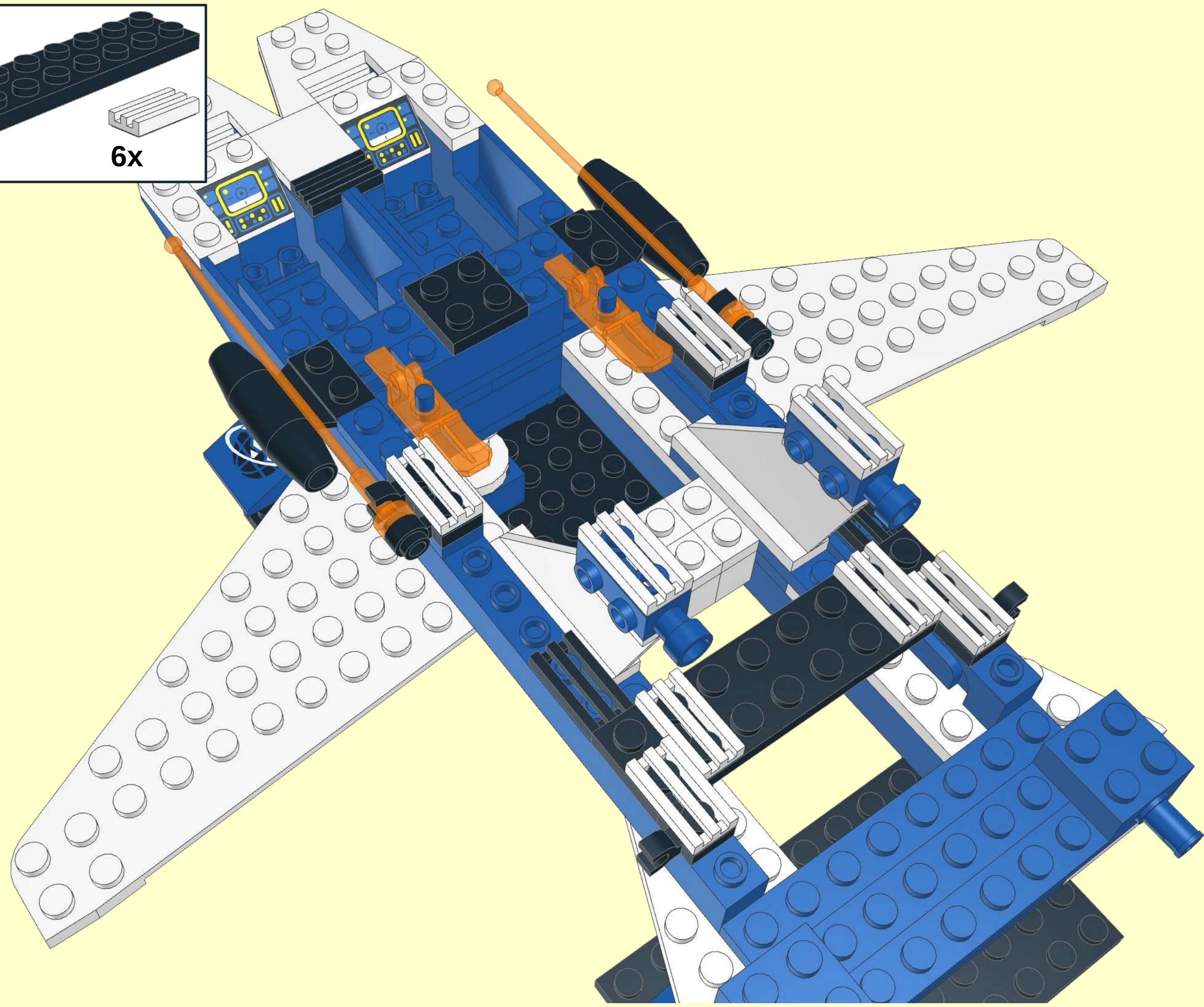
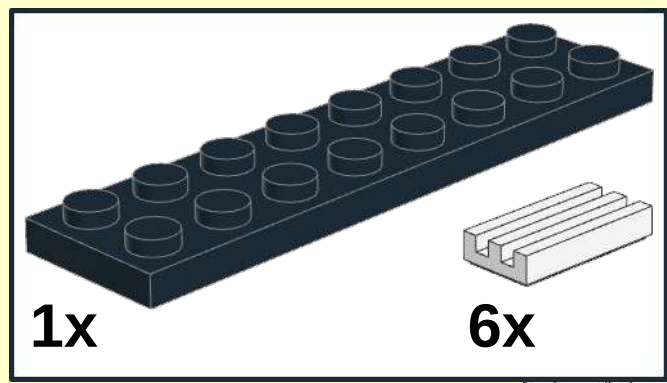
7



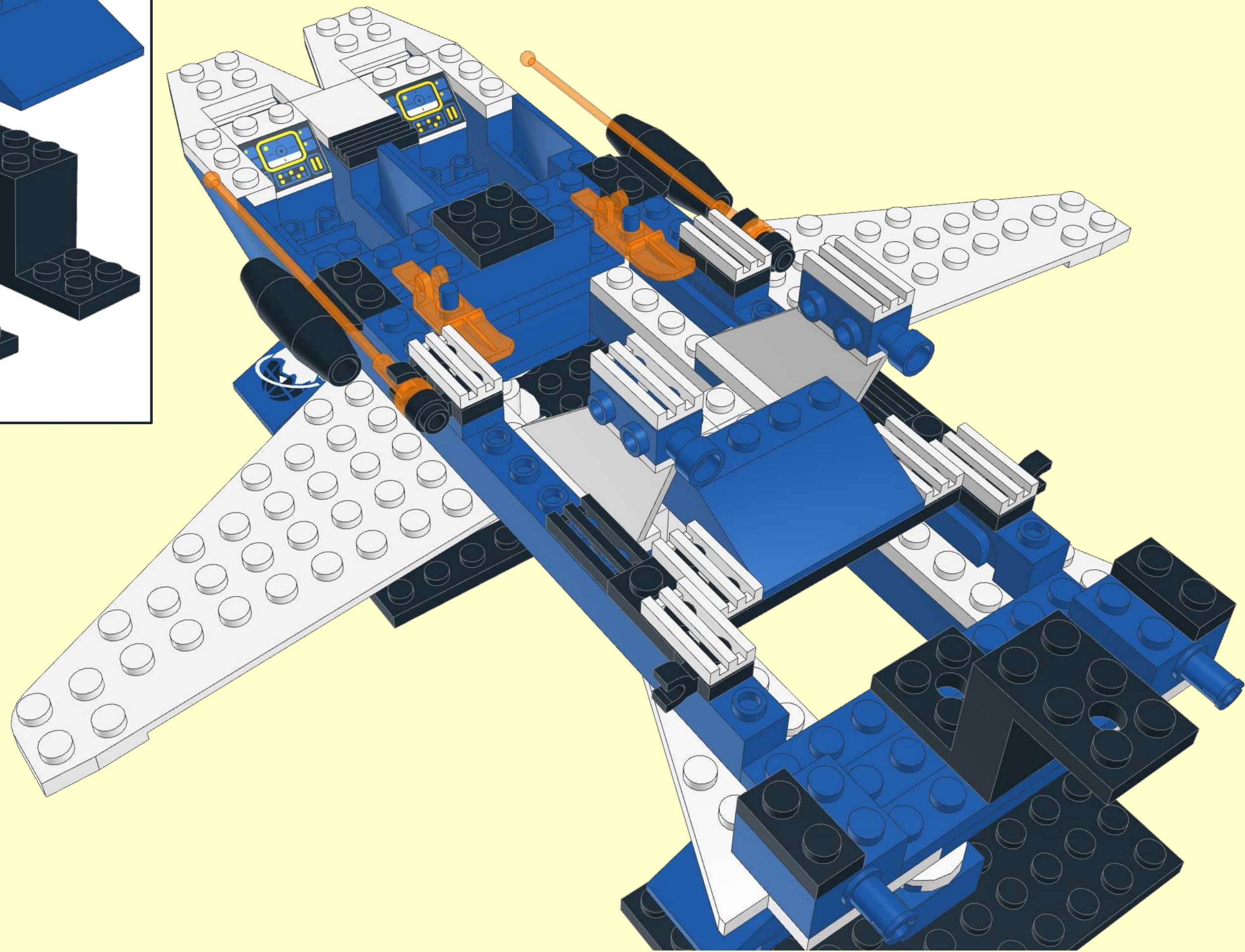
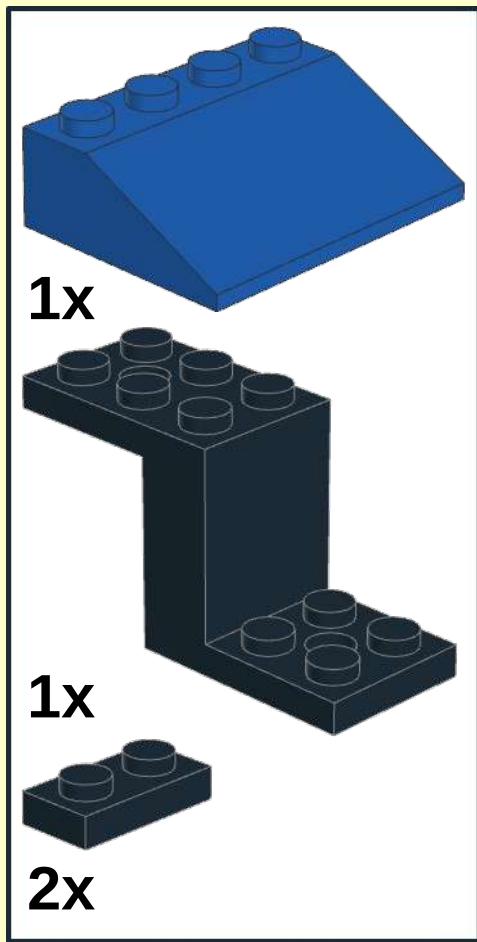
8
2x



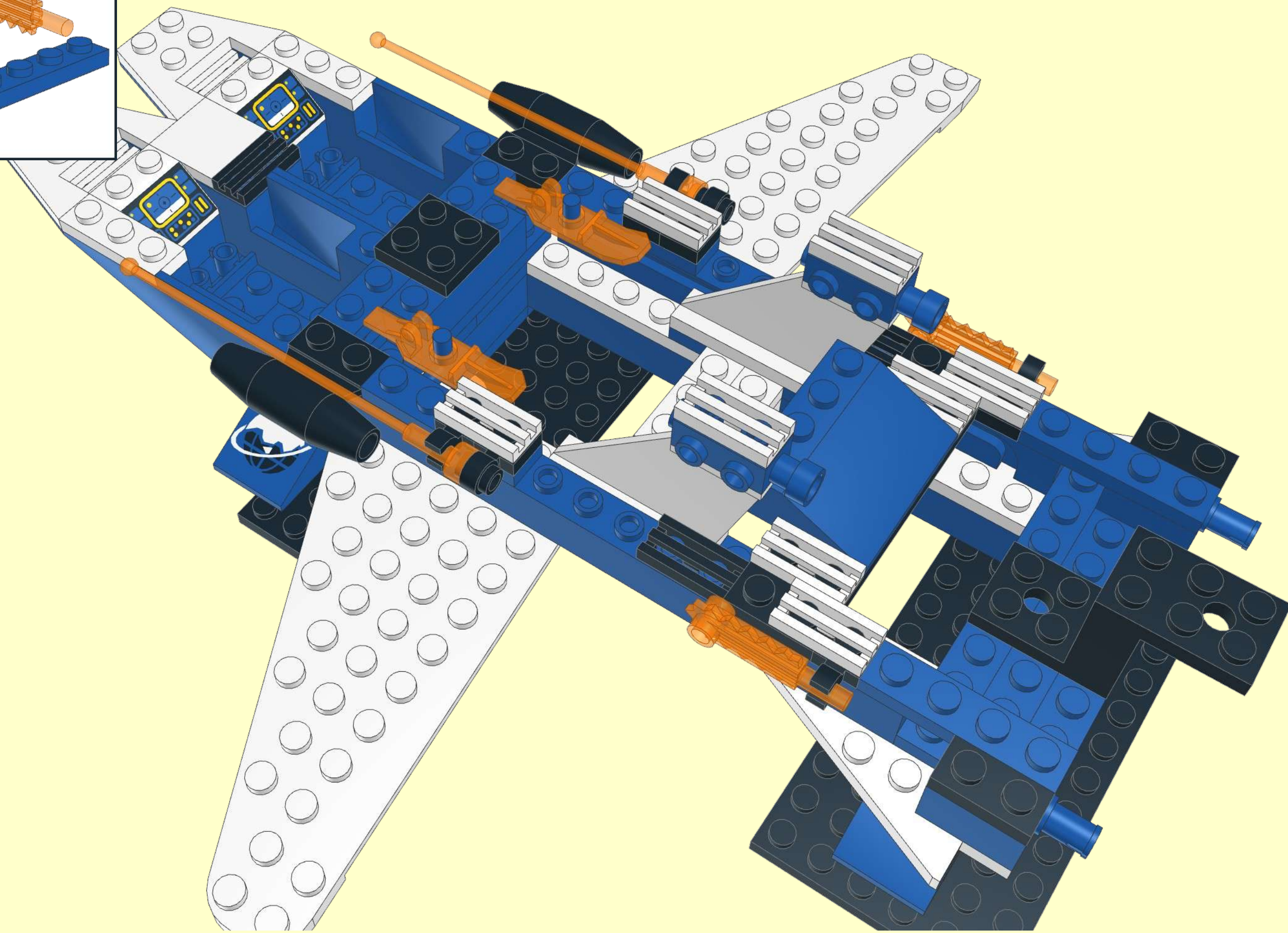
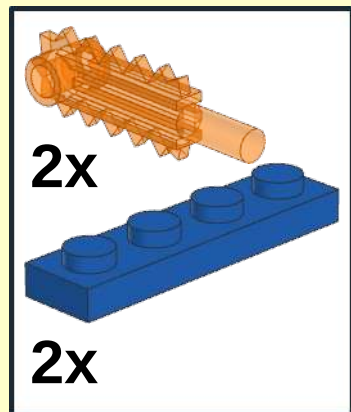
9



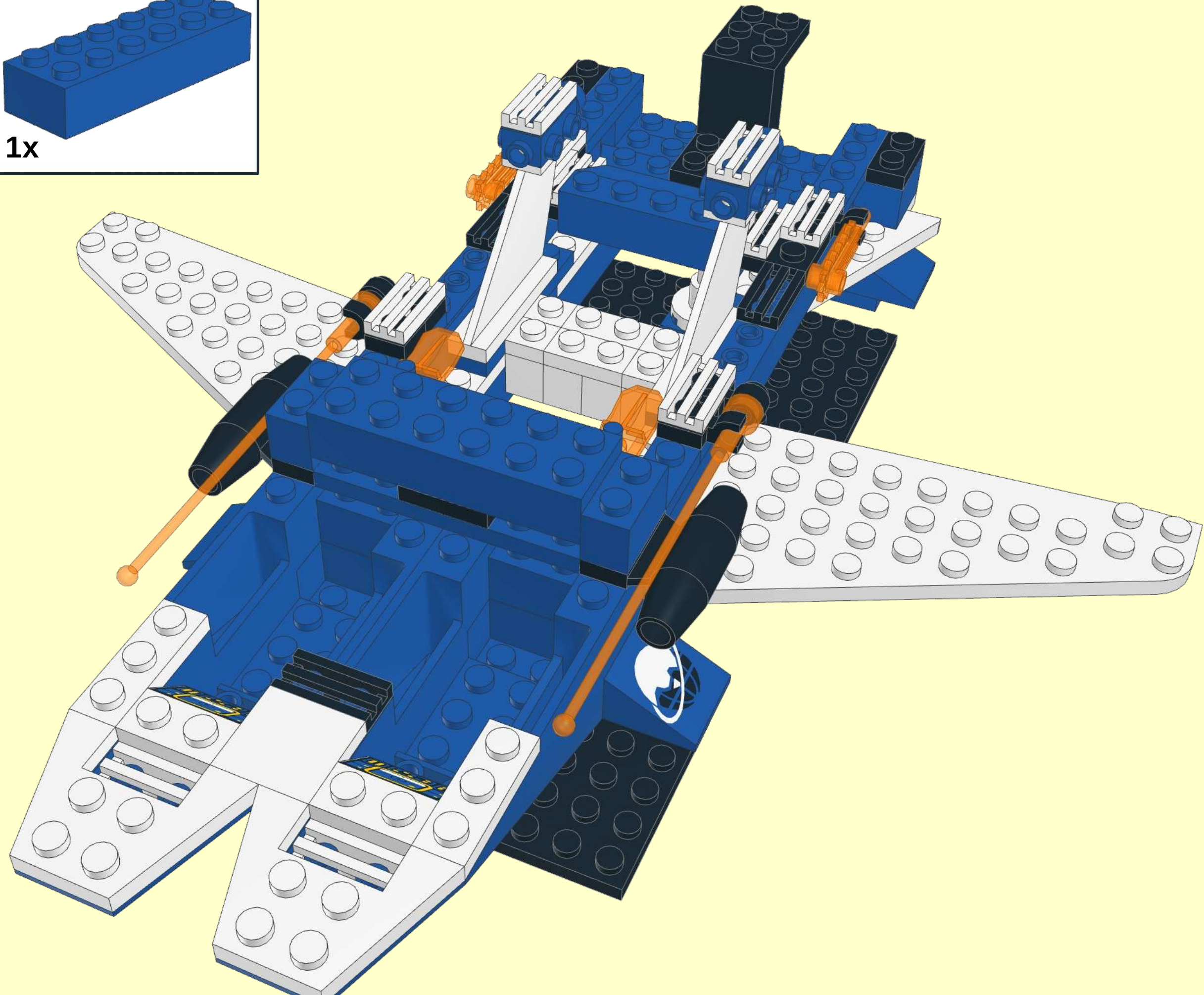
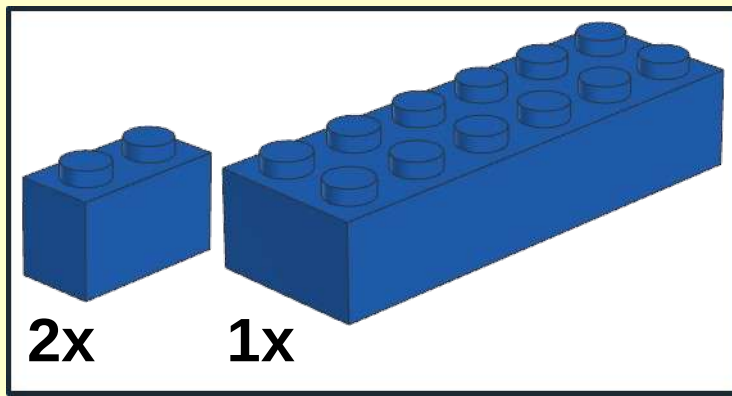
10



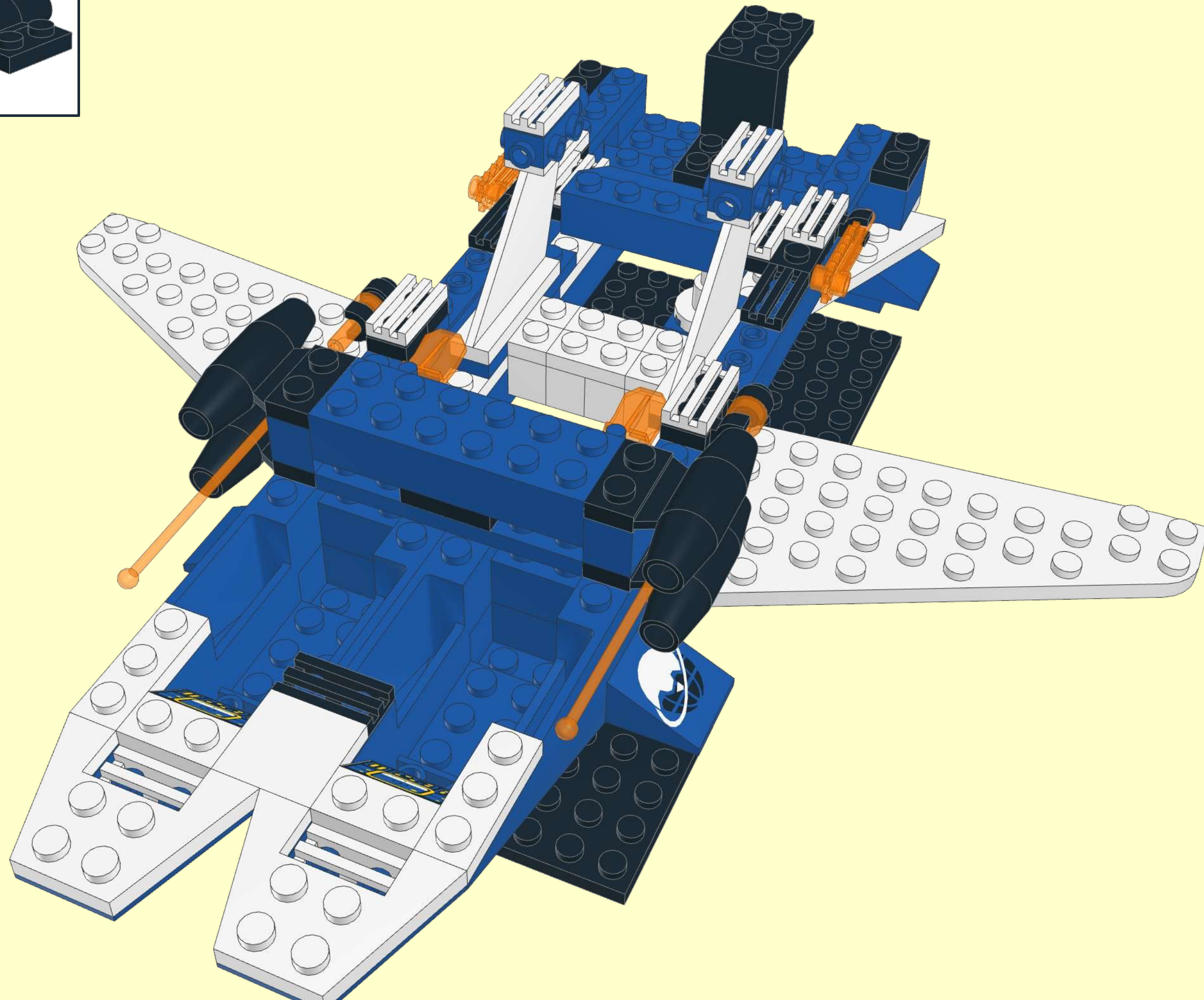
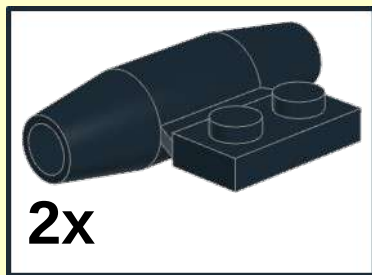
11



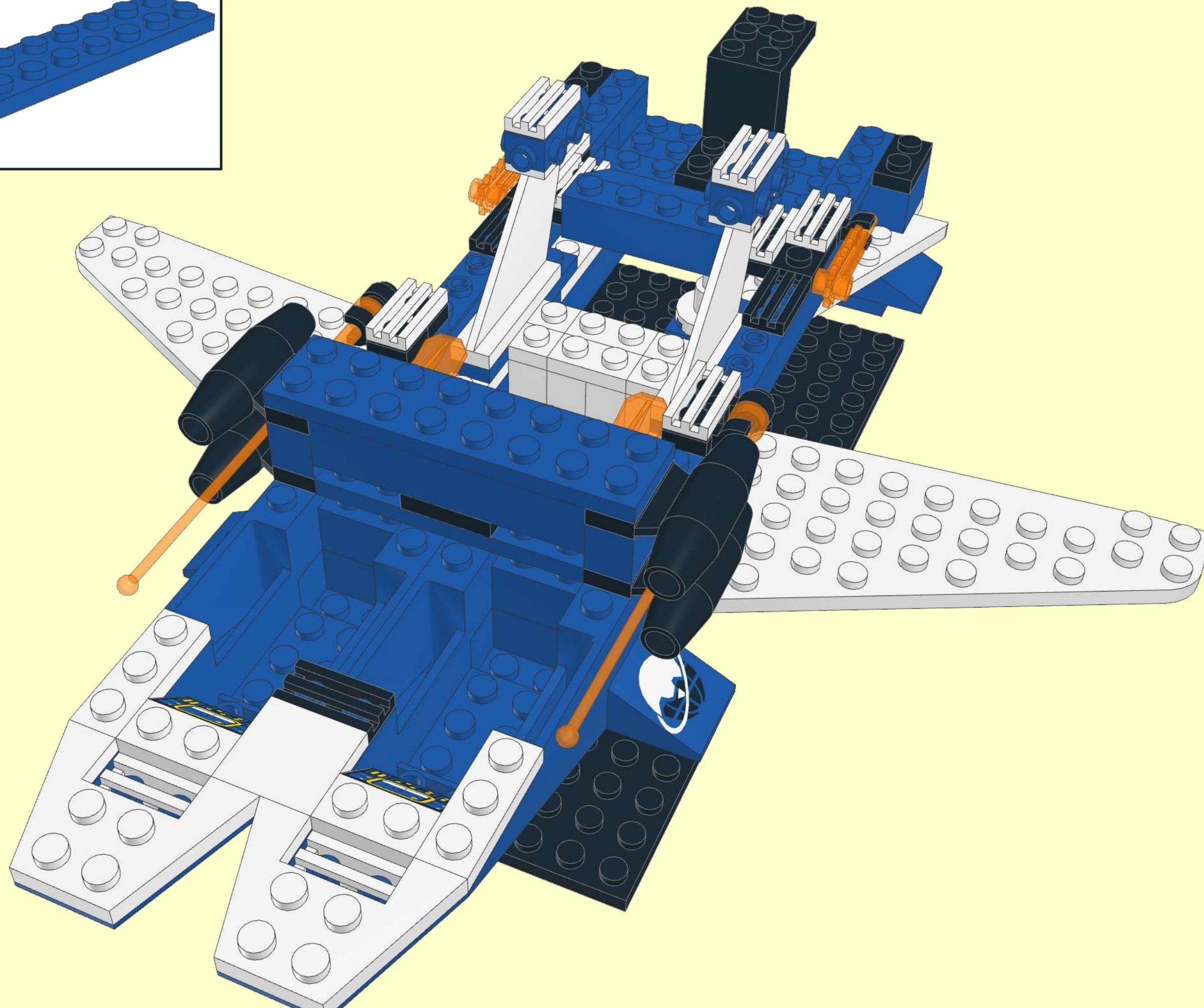
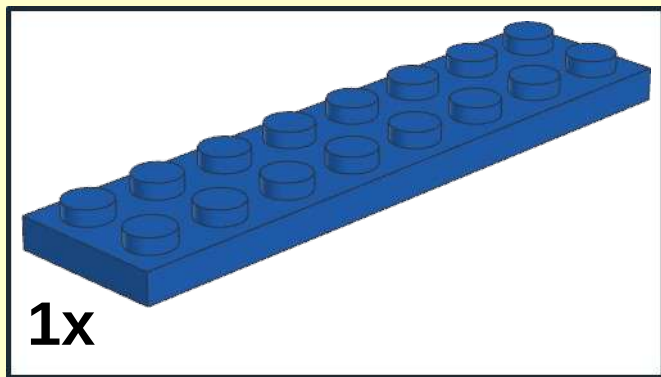
12



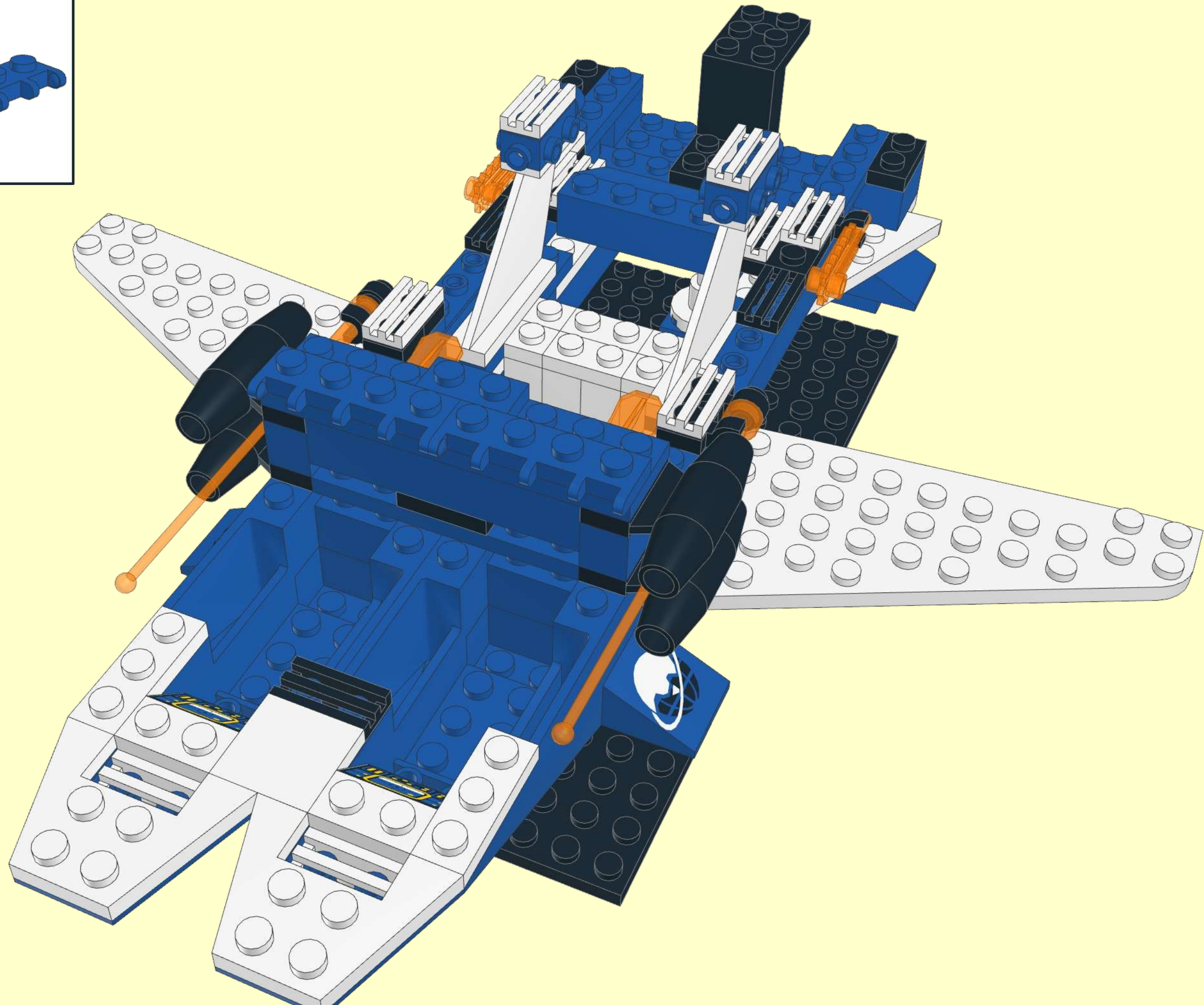
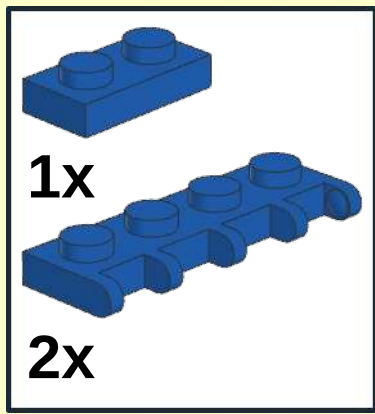
13



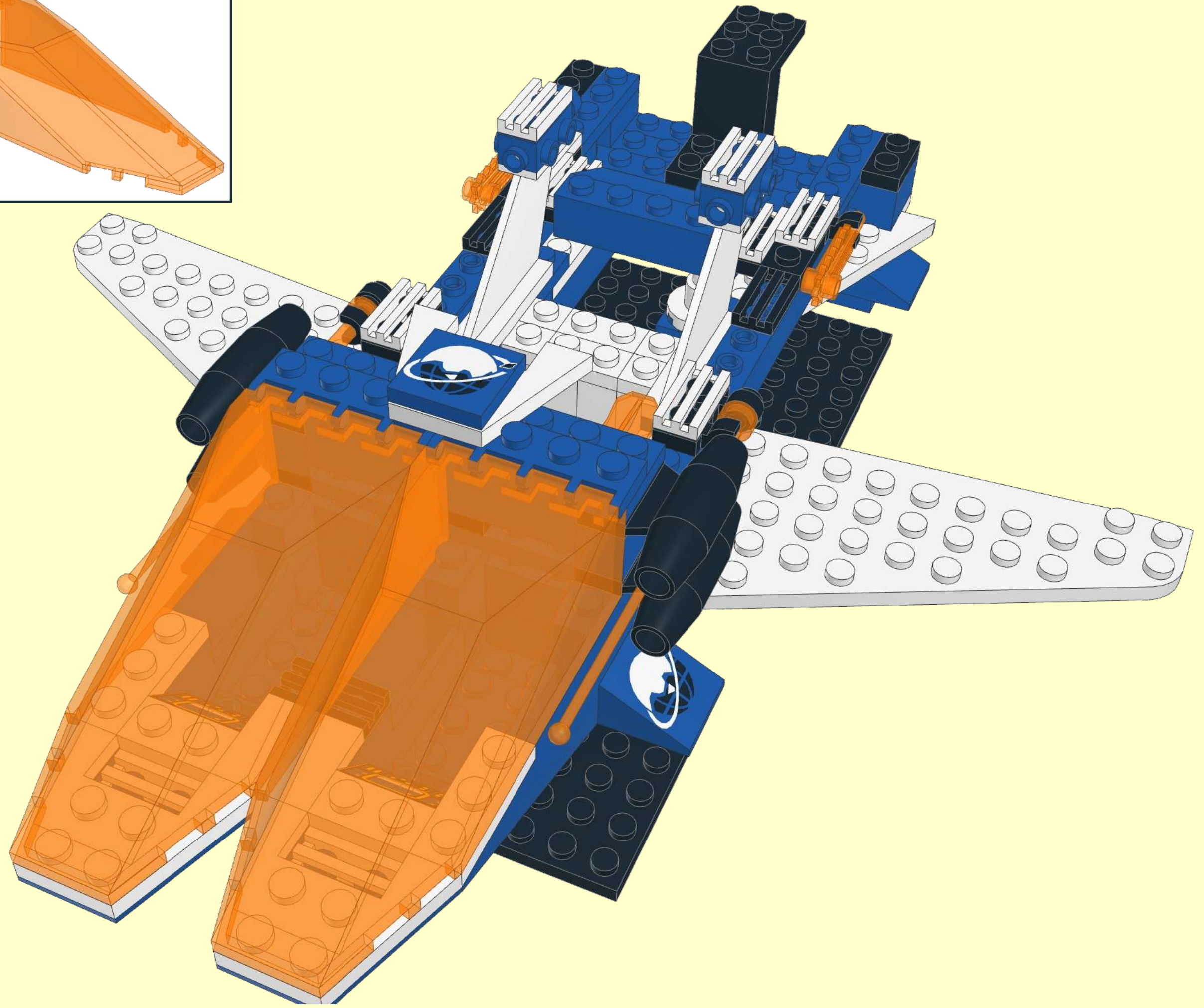
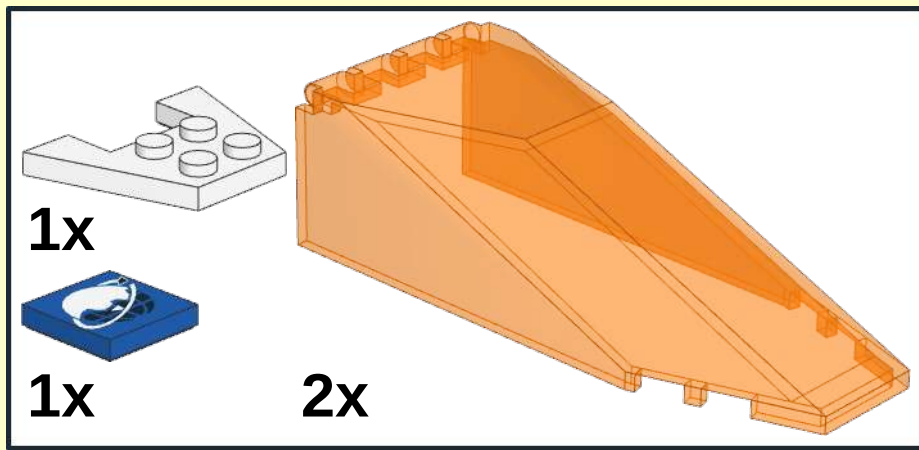
14



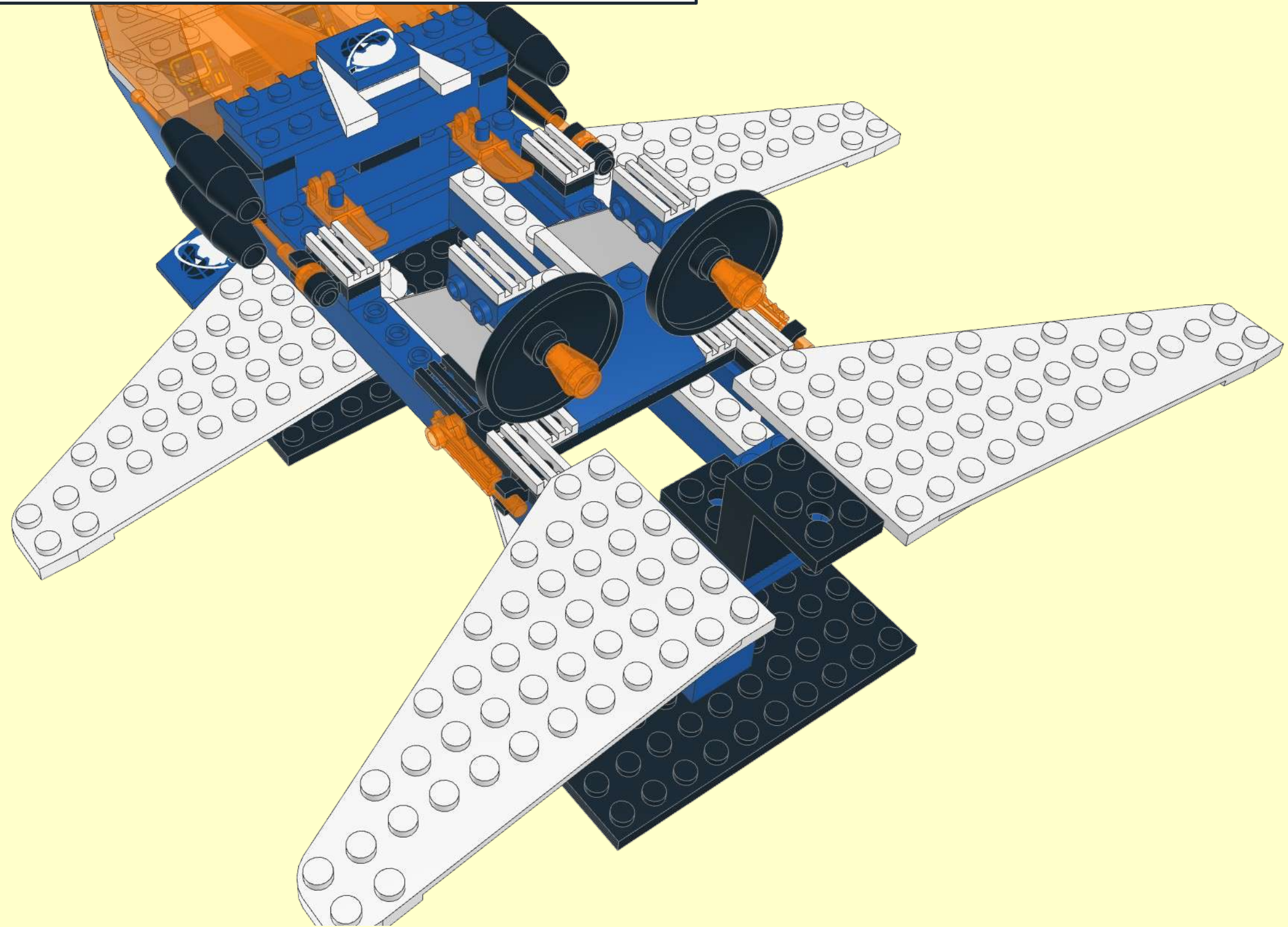
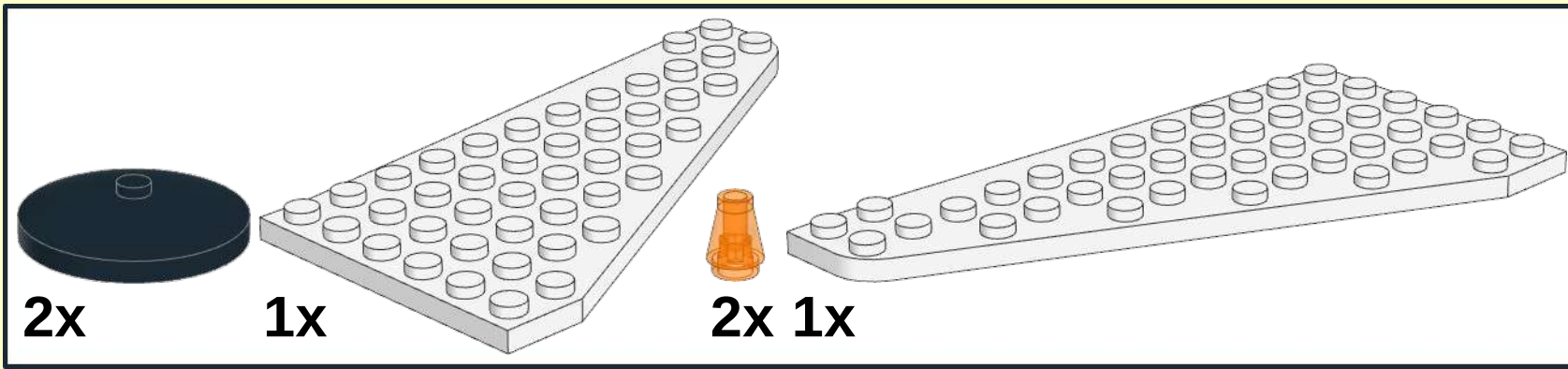
15



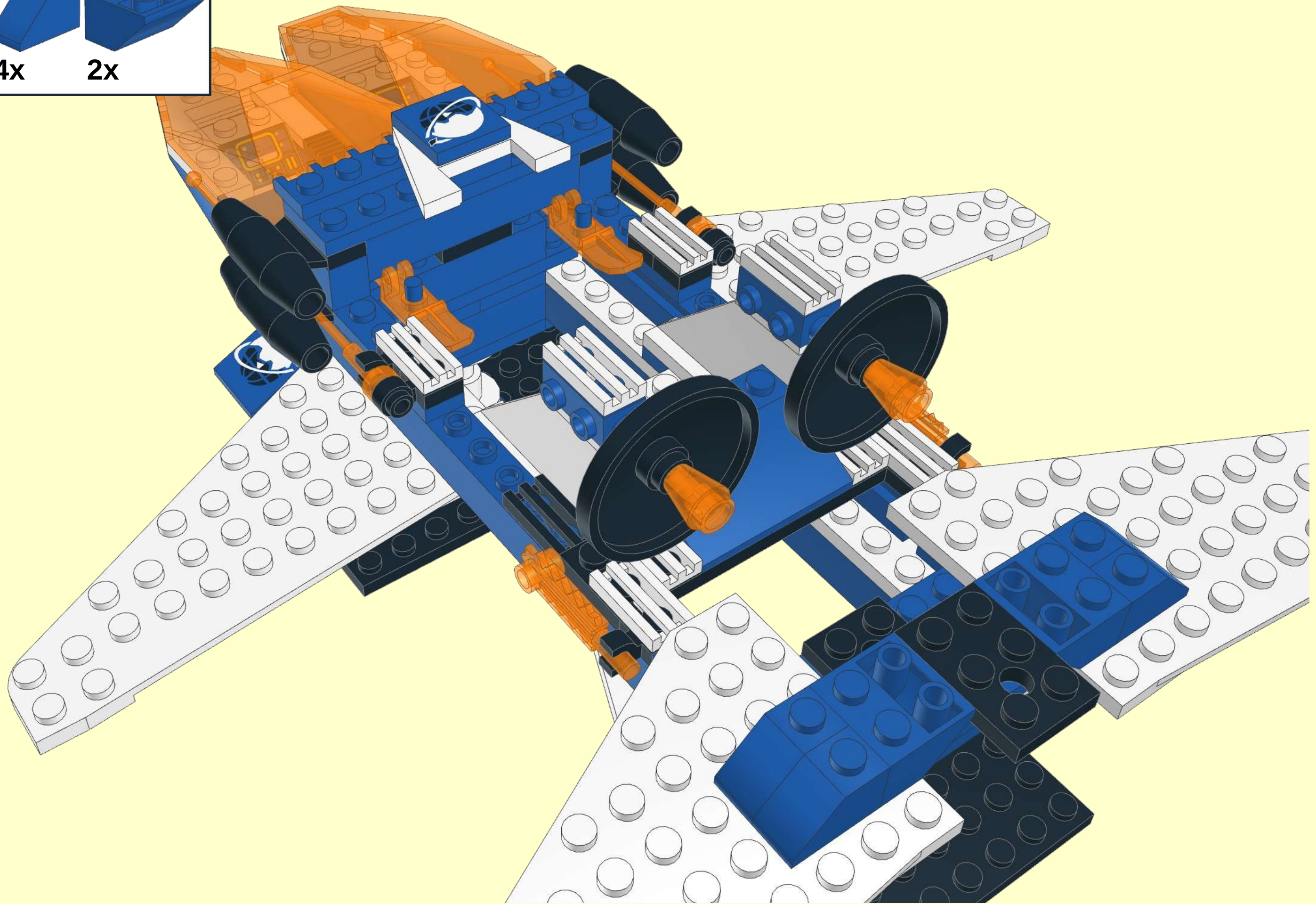
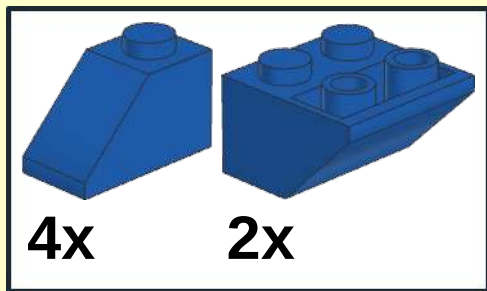
16



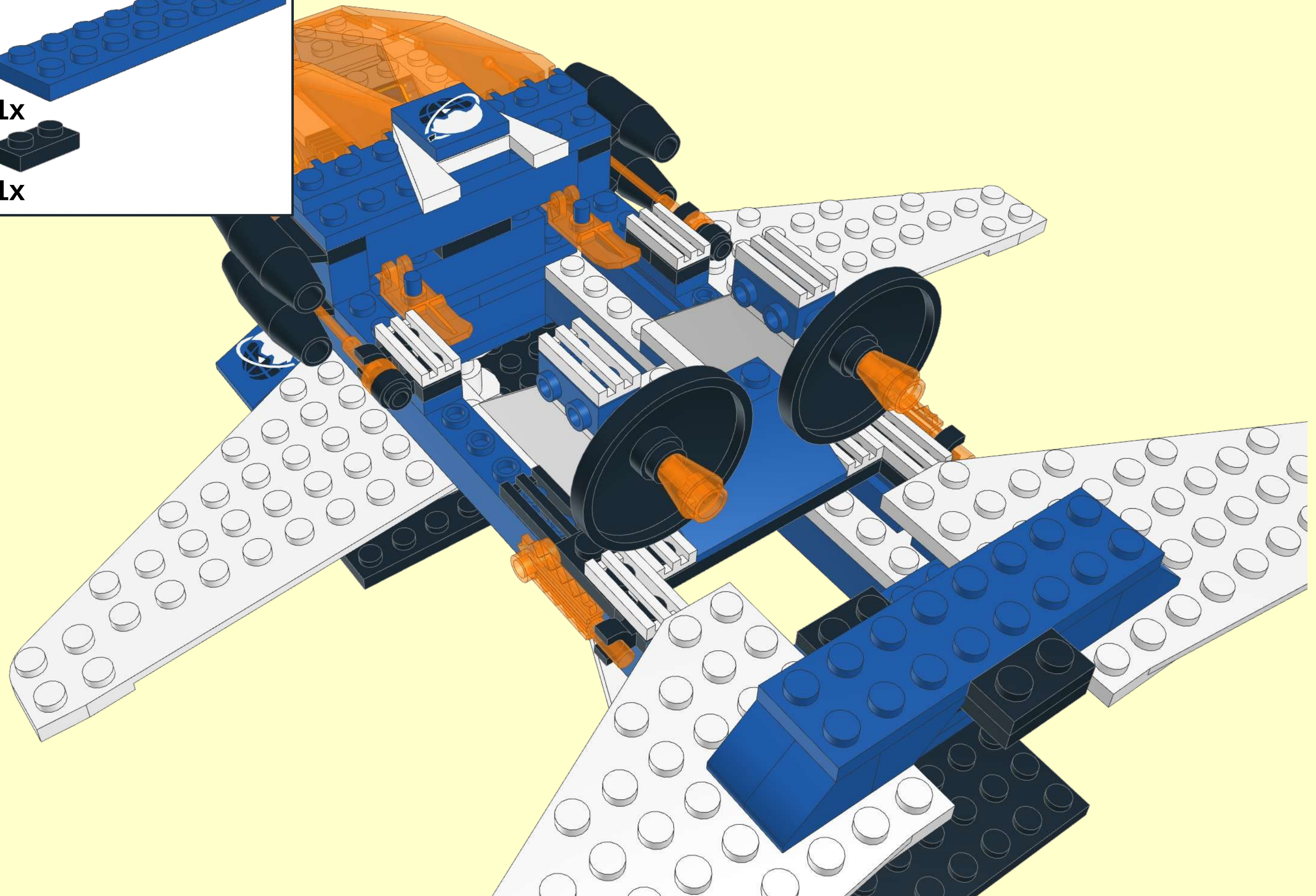
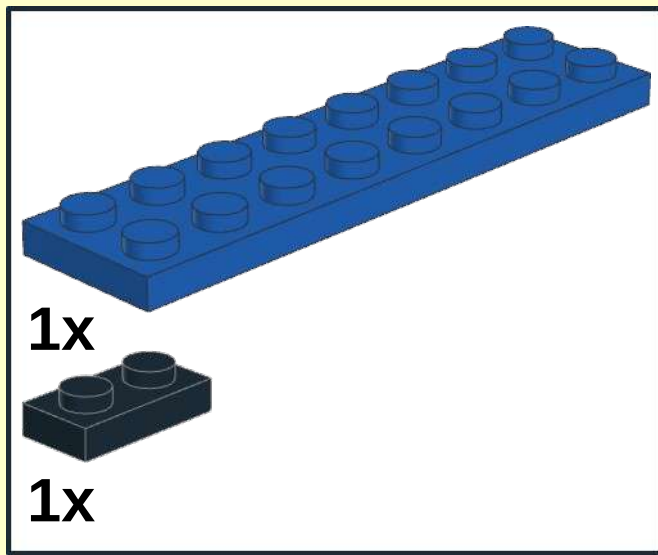
17



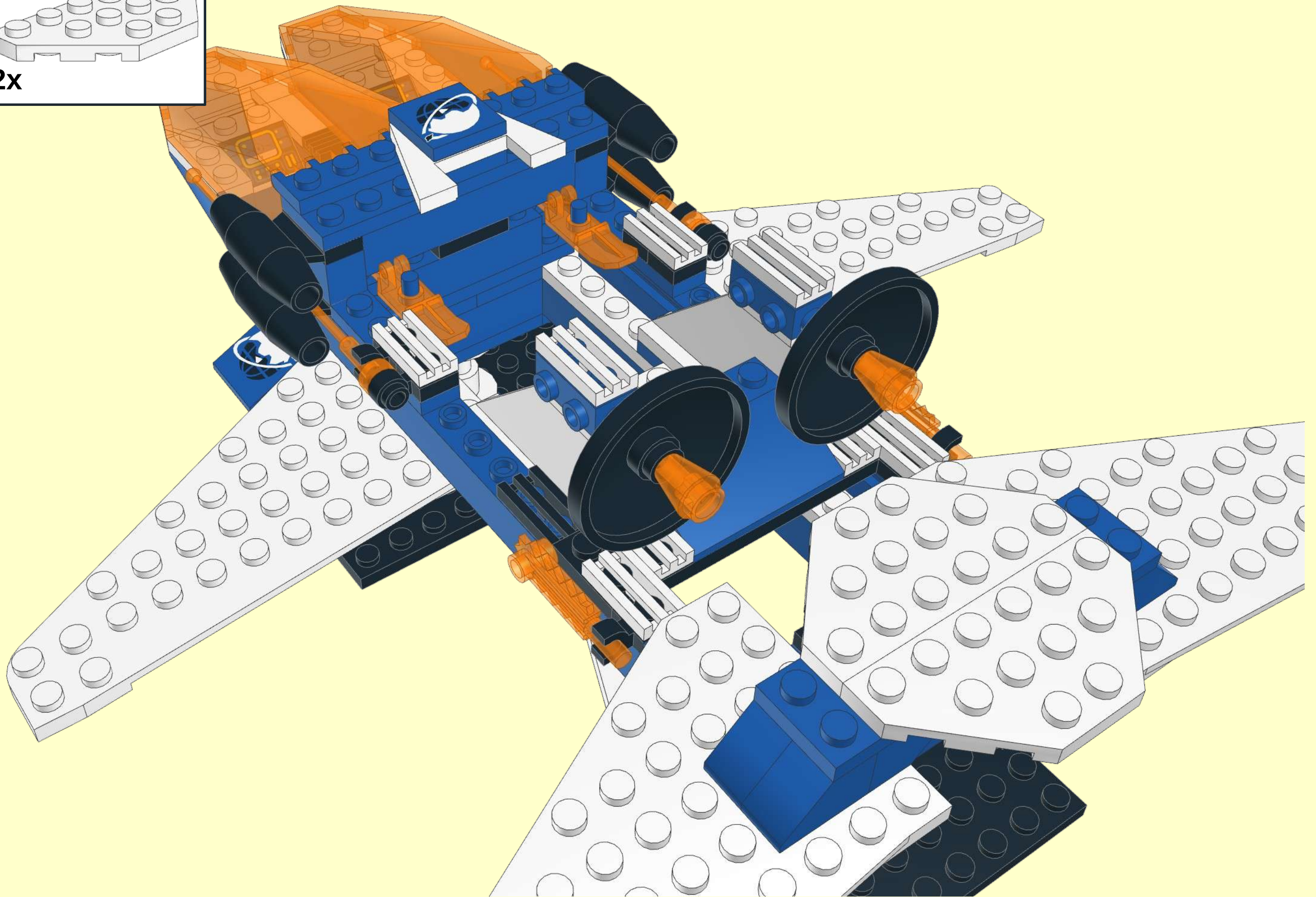
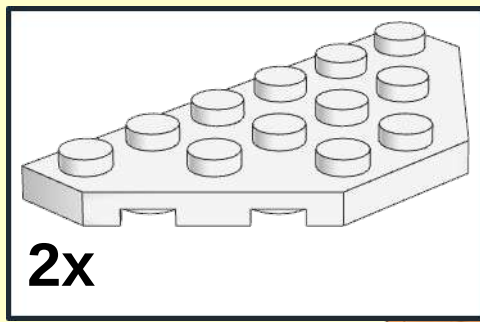
18



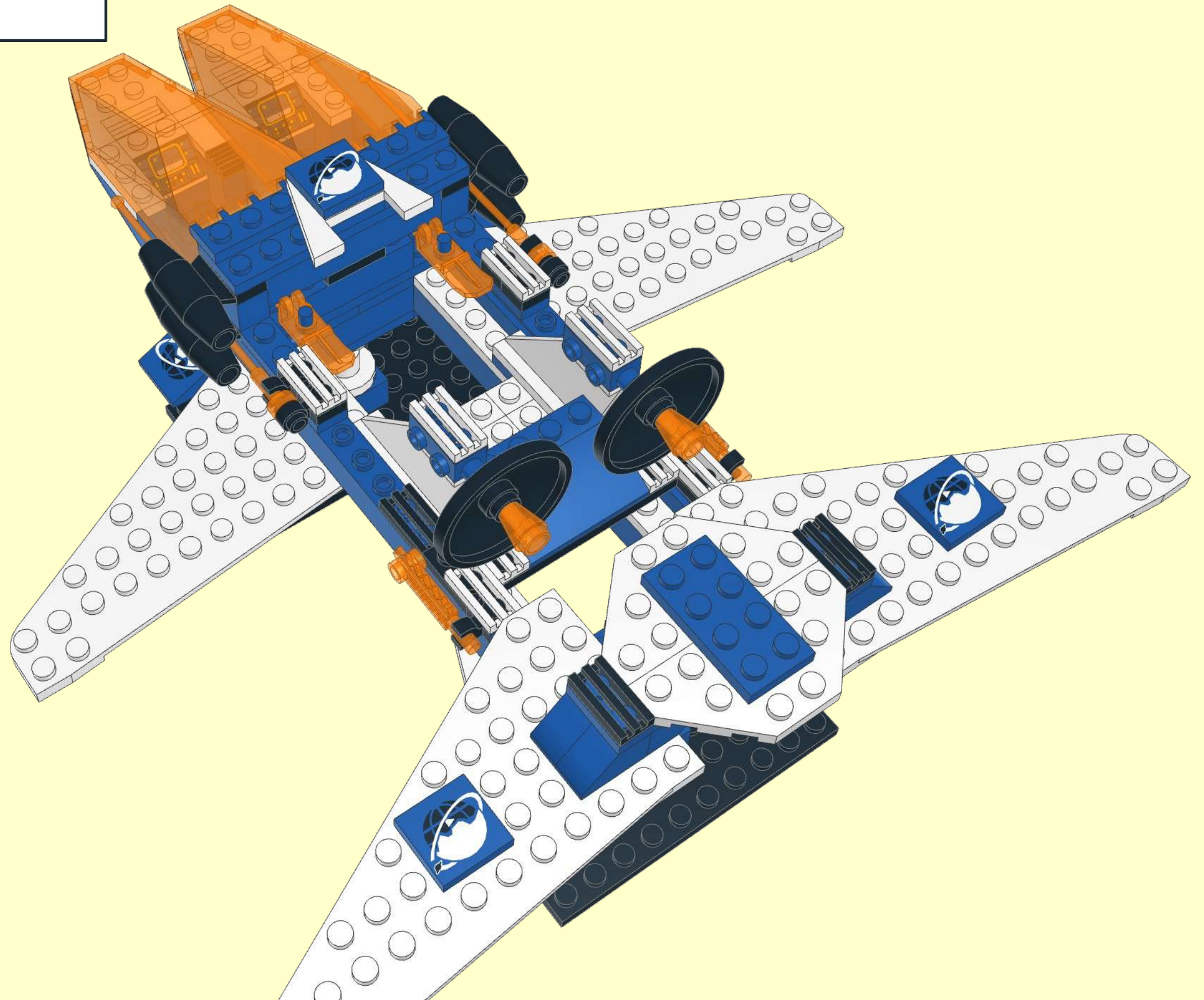
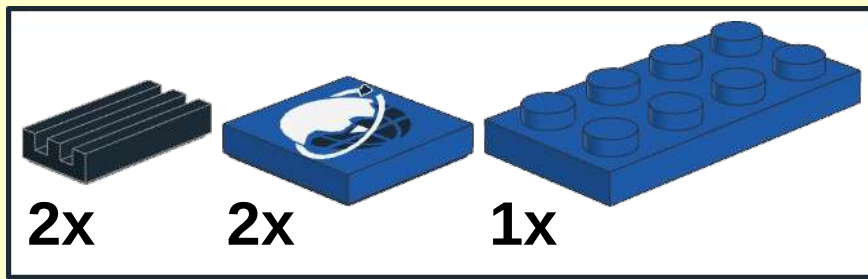
19



20



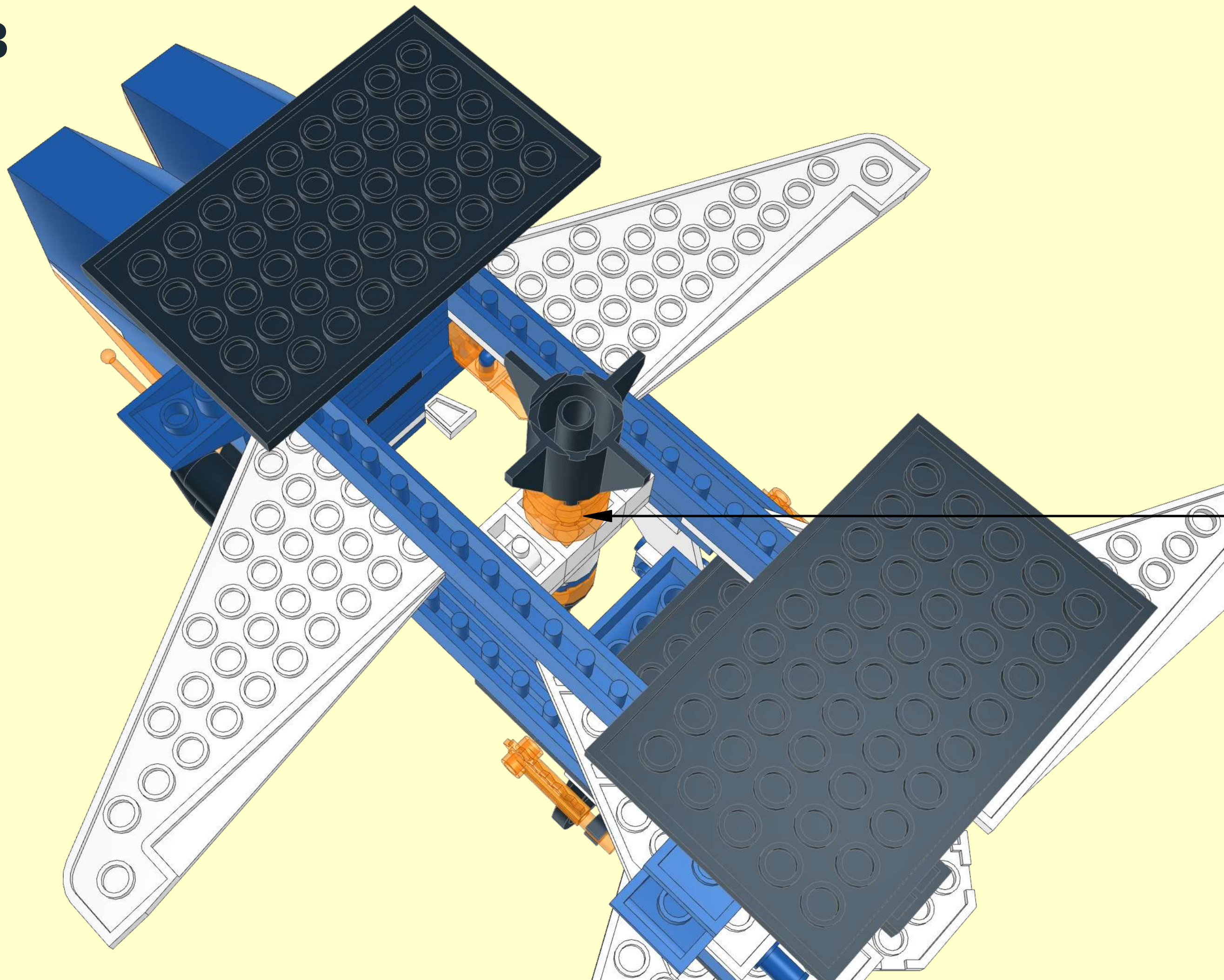
21





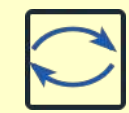
- 1x [Blue Technic 1-hole connector]
- 1x [Orange Technic 1-hole connector]
- 1x [Black Technic cone]
- 1x [White Technic 1-hole connector]
- 1x [Orange Technic 1-hole connector]



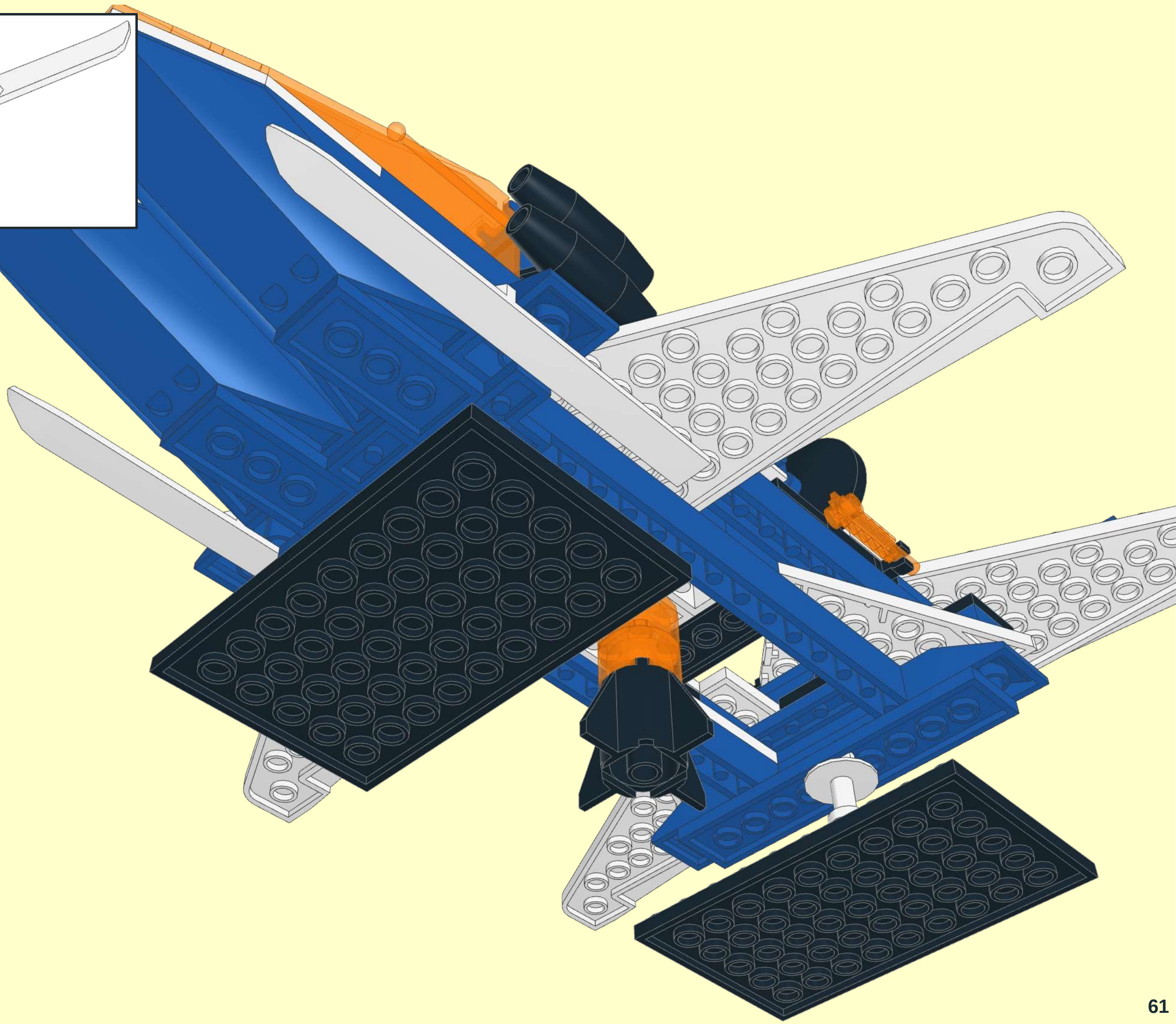
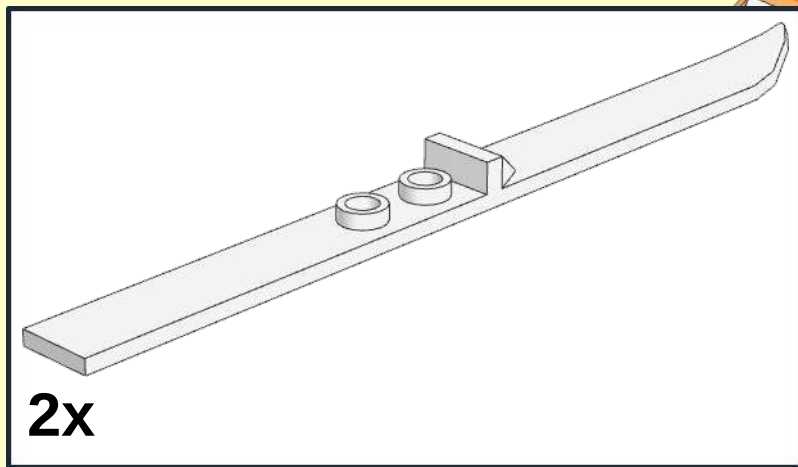


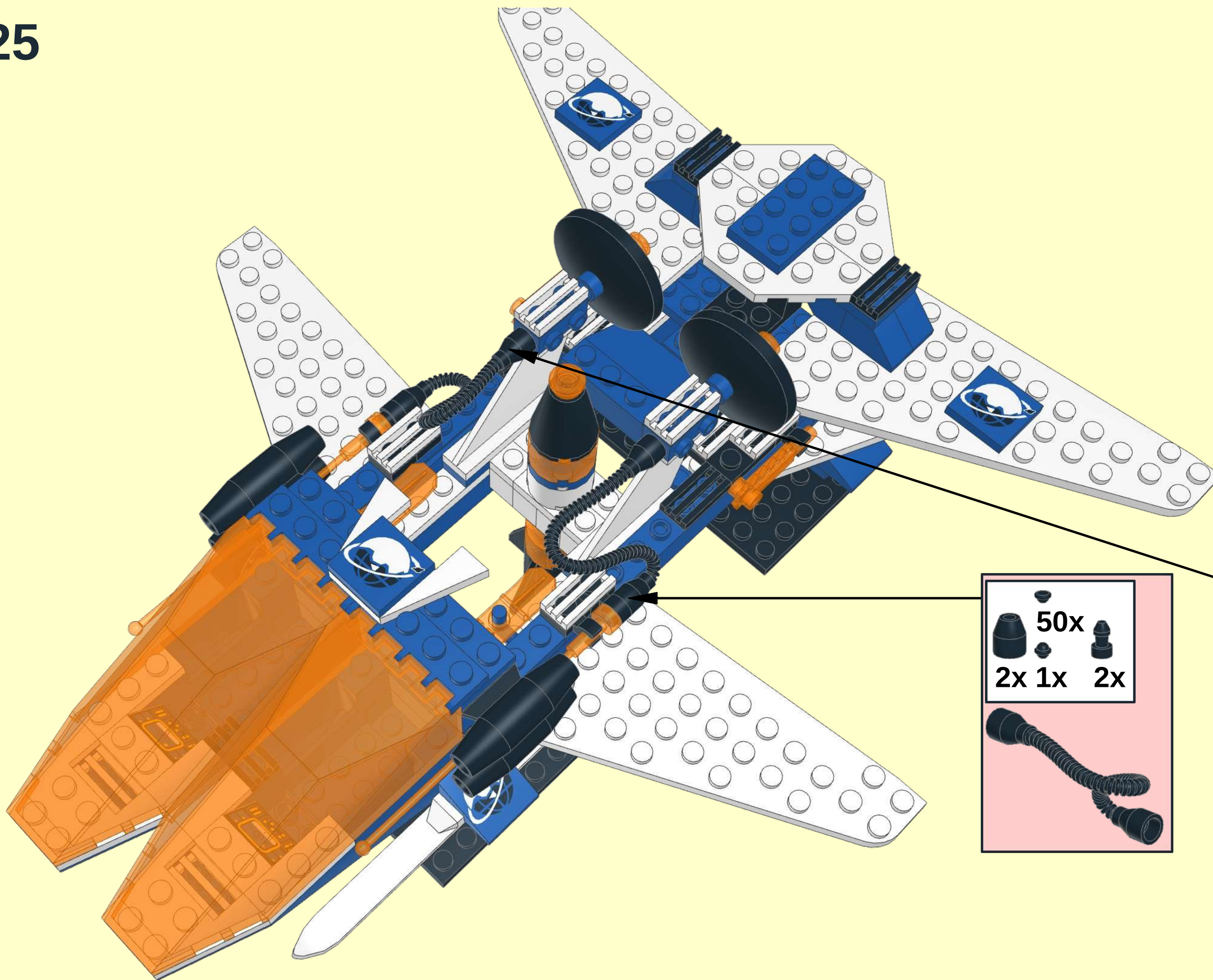
2x

1x



24





	50x	
2x	1x	2x

	50x	
2x	1x	2x

