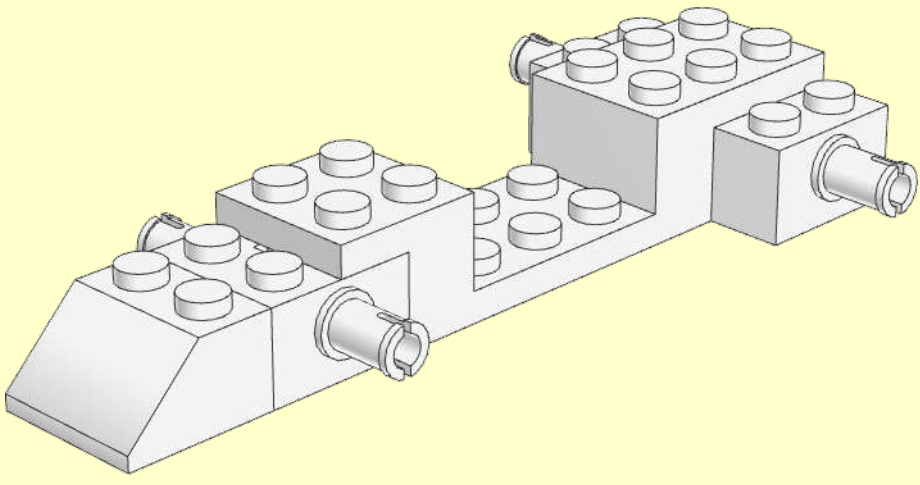
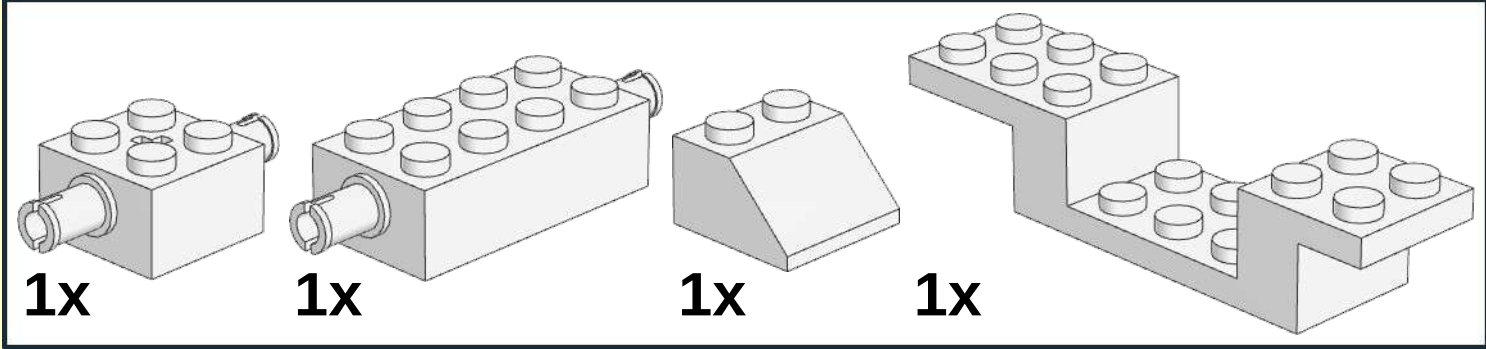
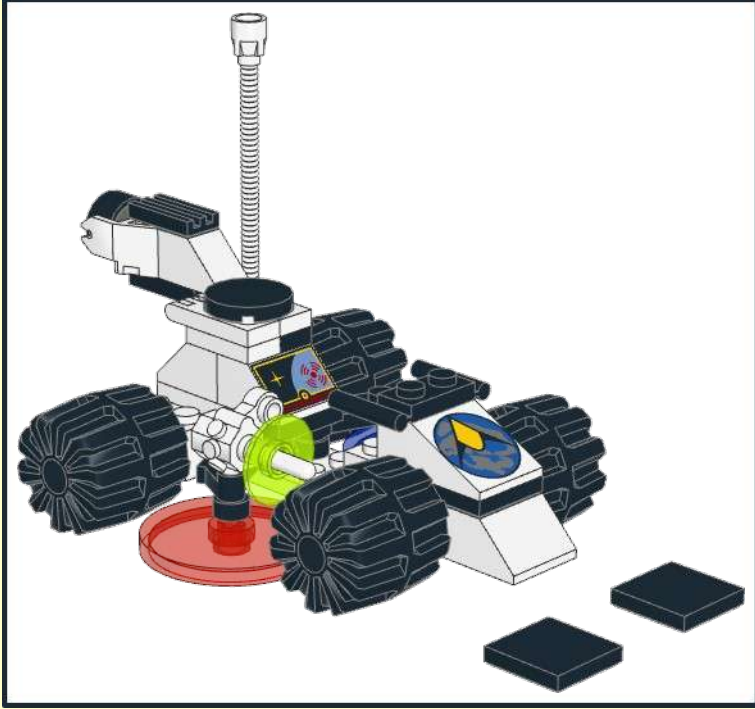
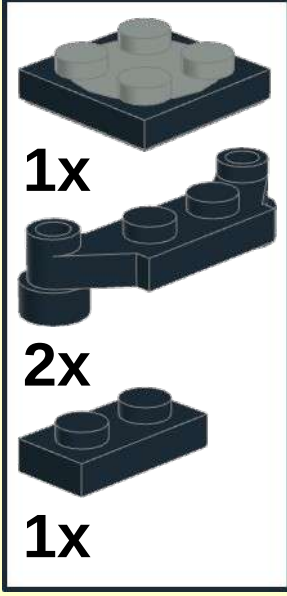


1



2

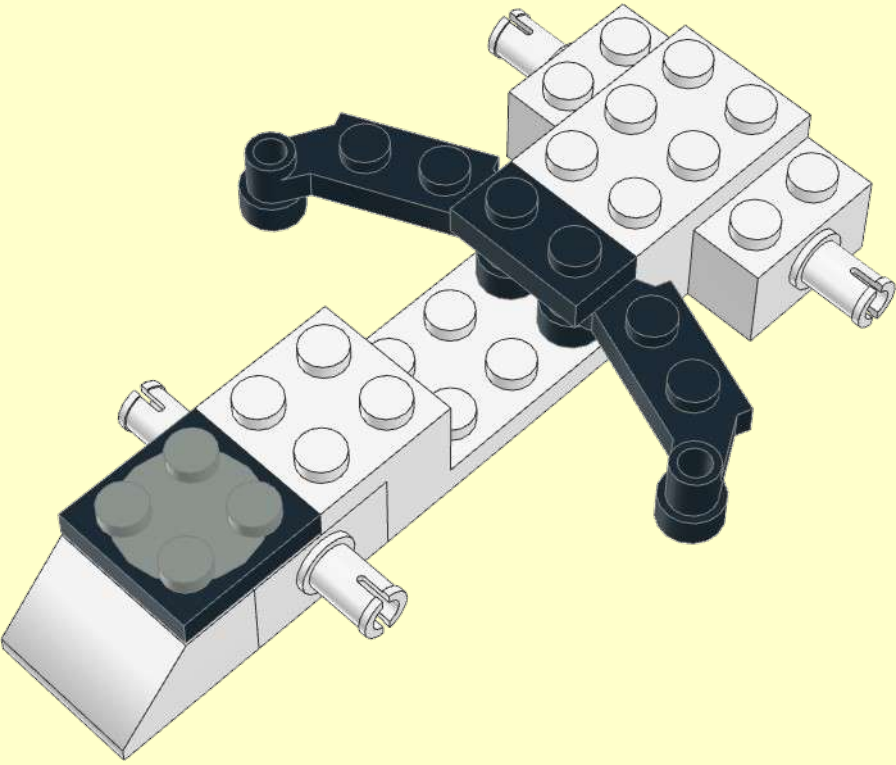


1x

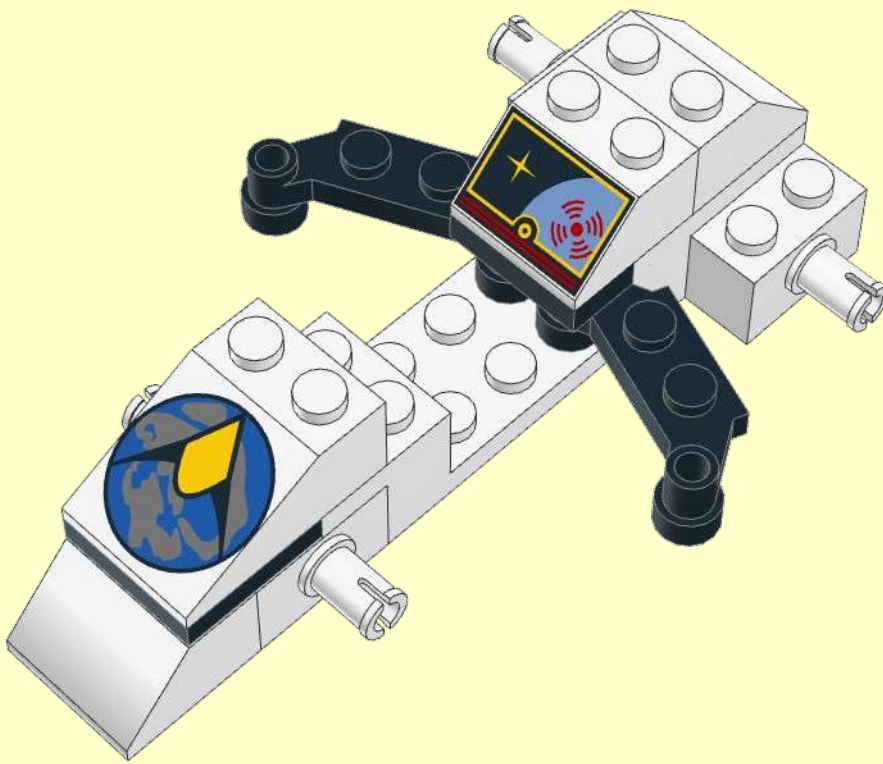
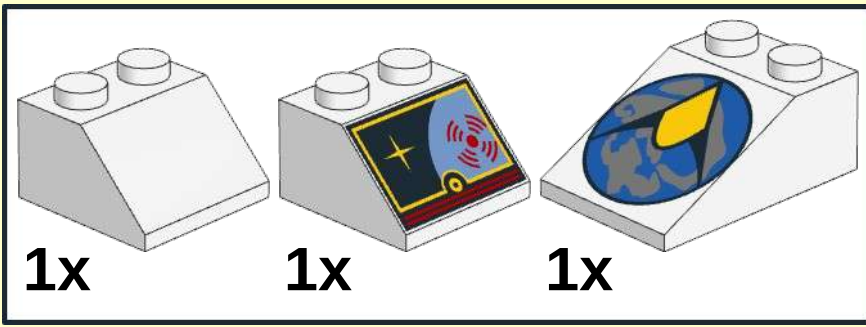
2x

1x

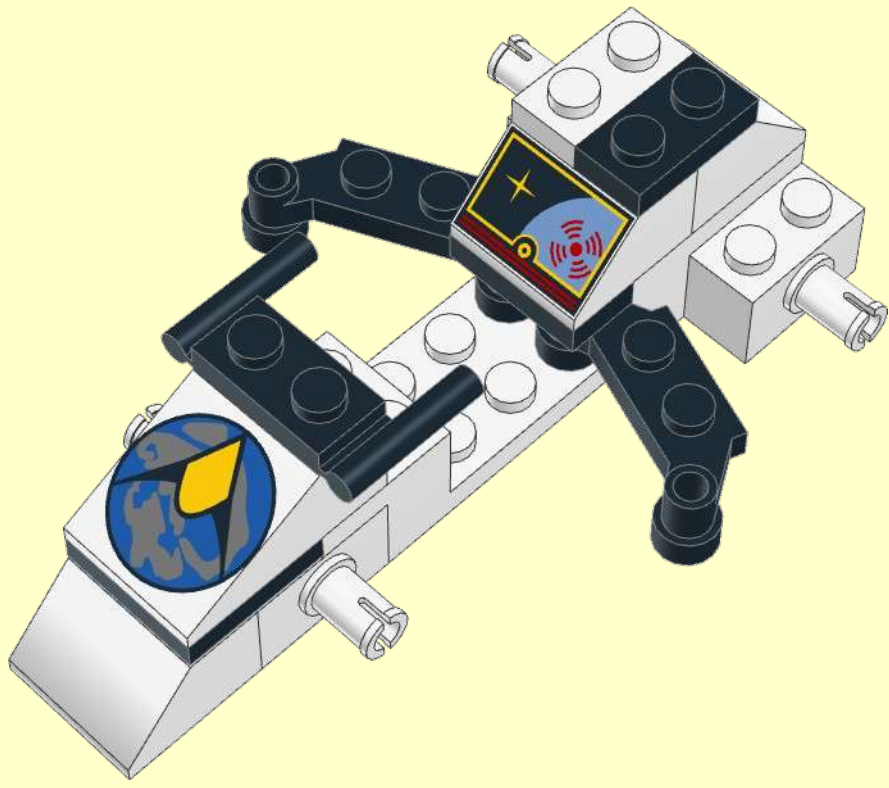
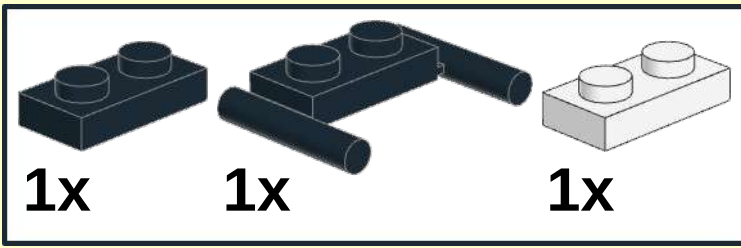
This block contains a list of parts for step 2. At the top is a dark grey 1x4 plate with five studs. Below it is a dark grey 1x5 Technic beam with a hole at the end and four studs. Below that is a dark grey 1x3 Technic beam with two studs. At the bottom is a dark grey 1x2 Technic beam with two studs.



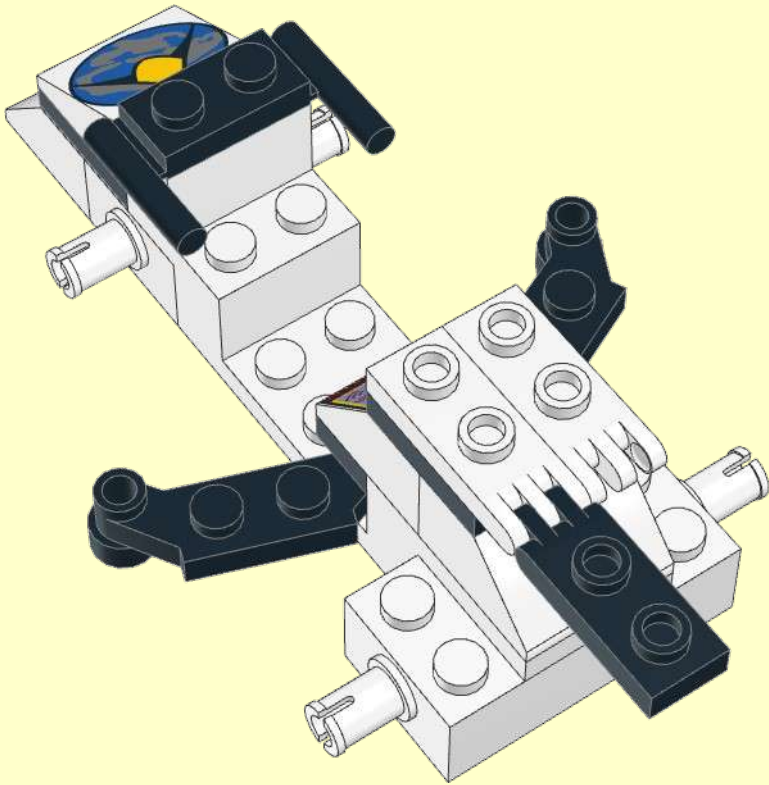
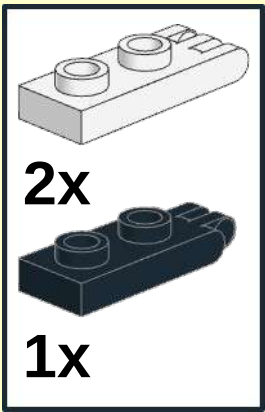
3



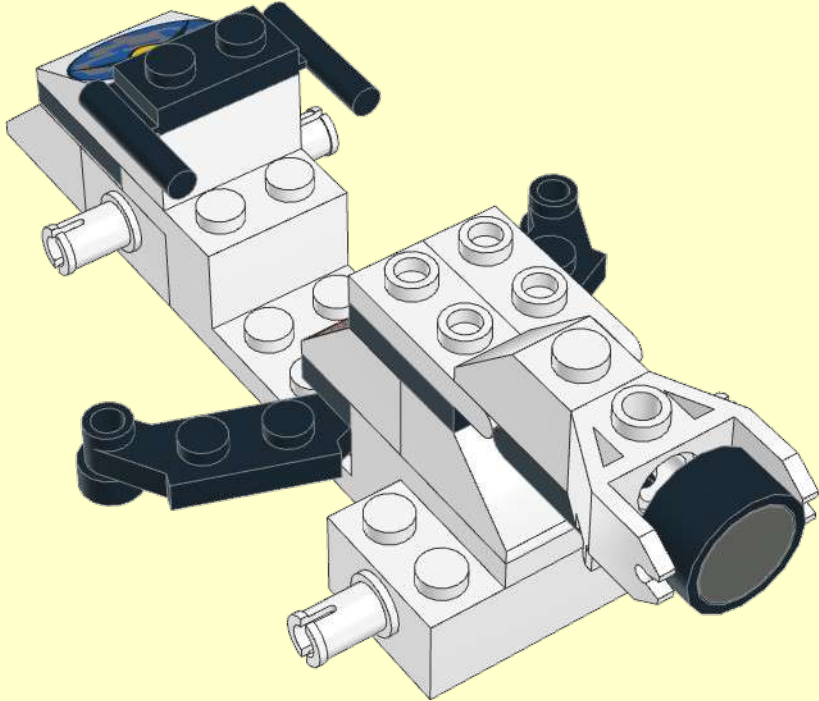
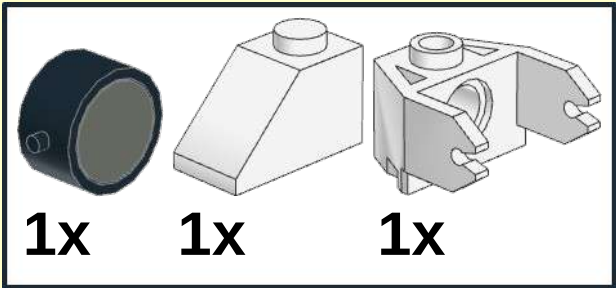
4



5

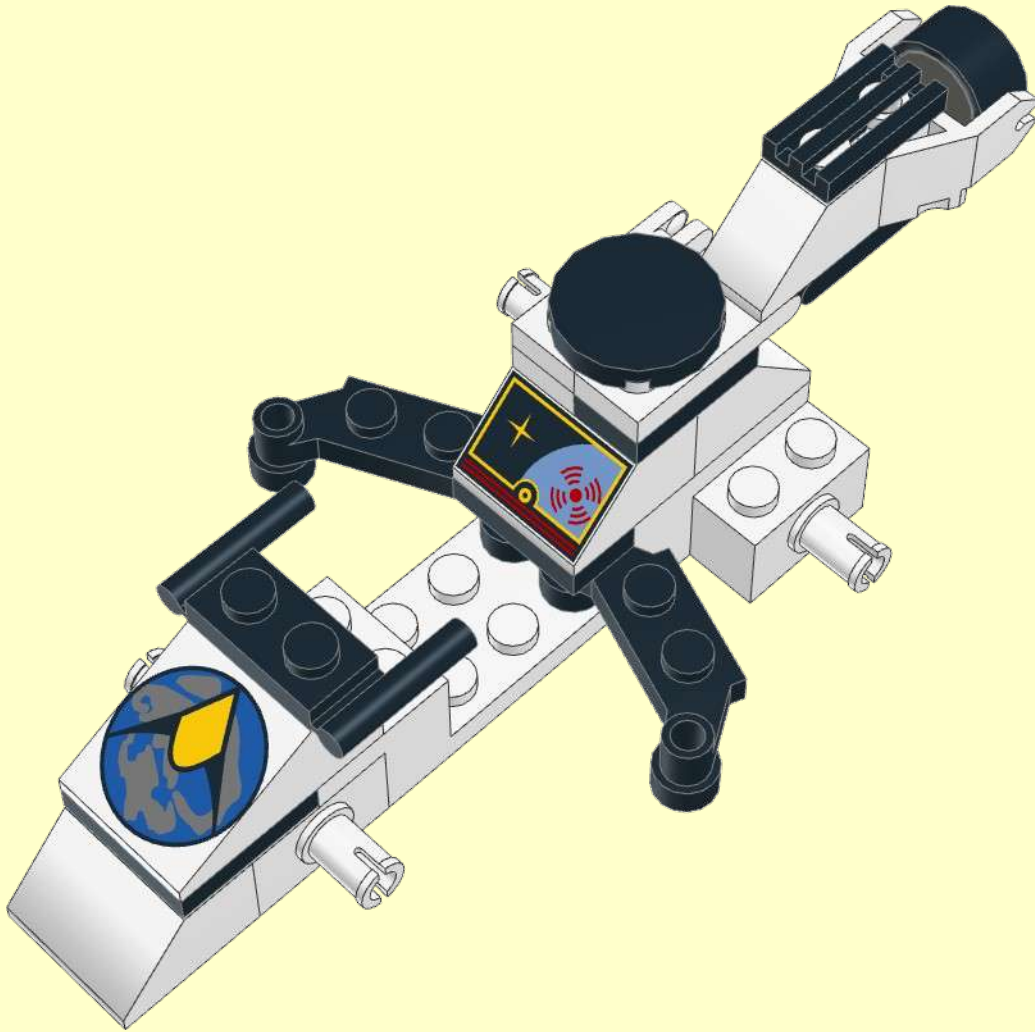
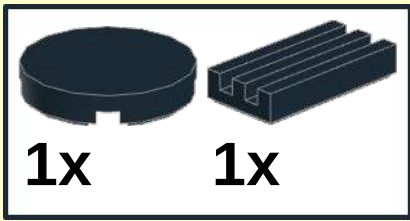


6

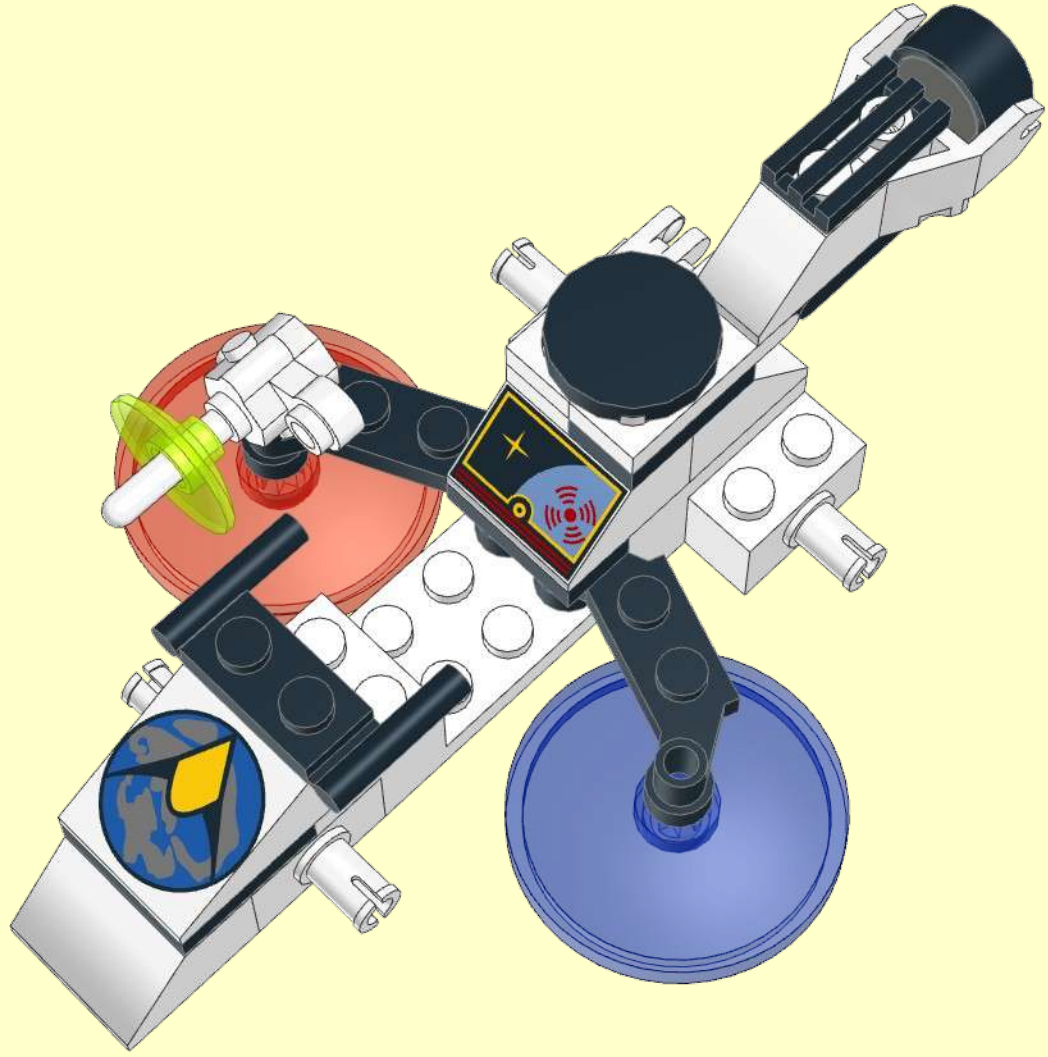
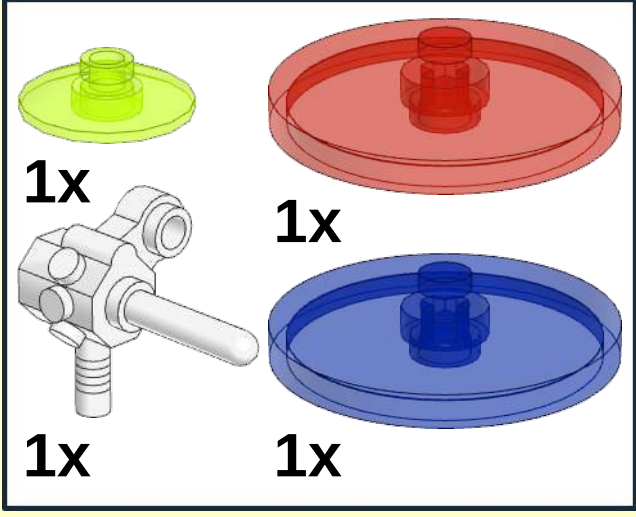




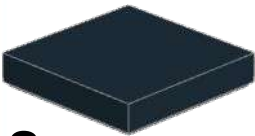
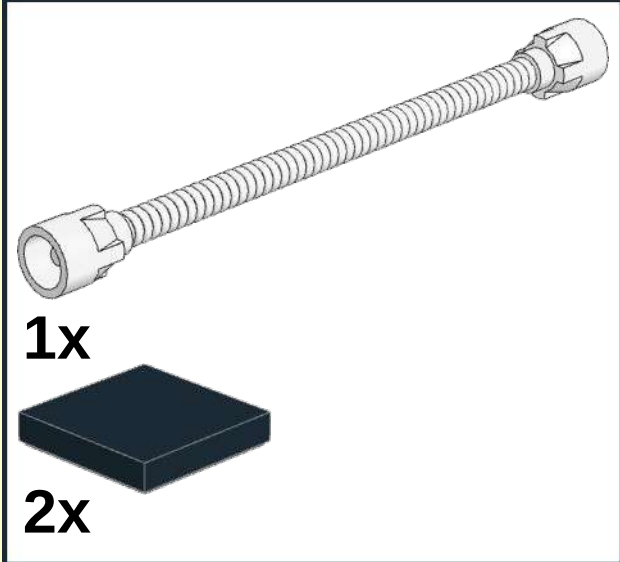
7



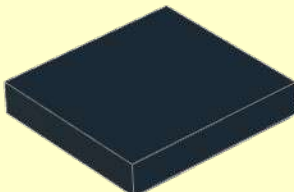
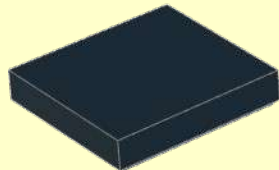
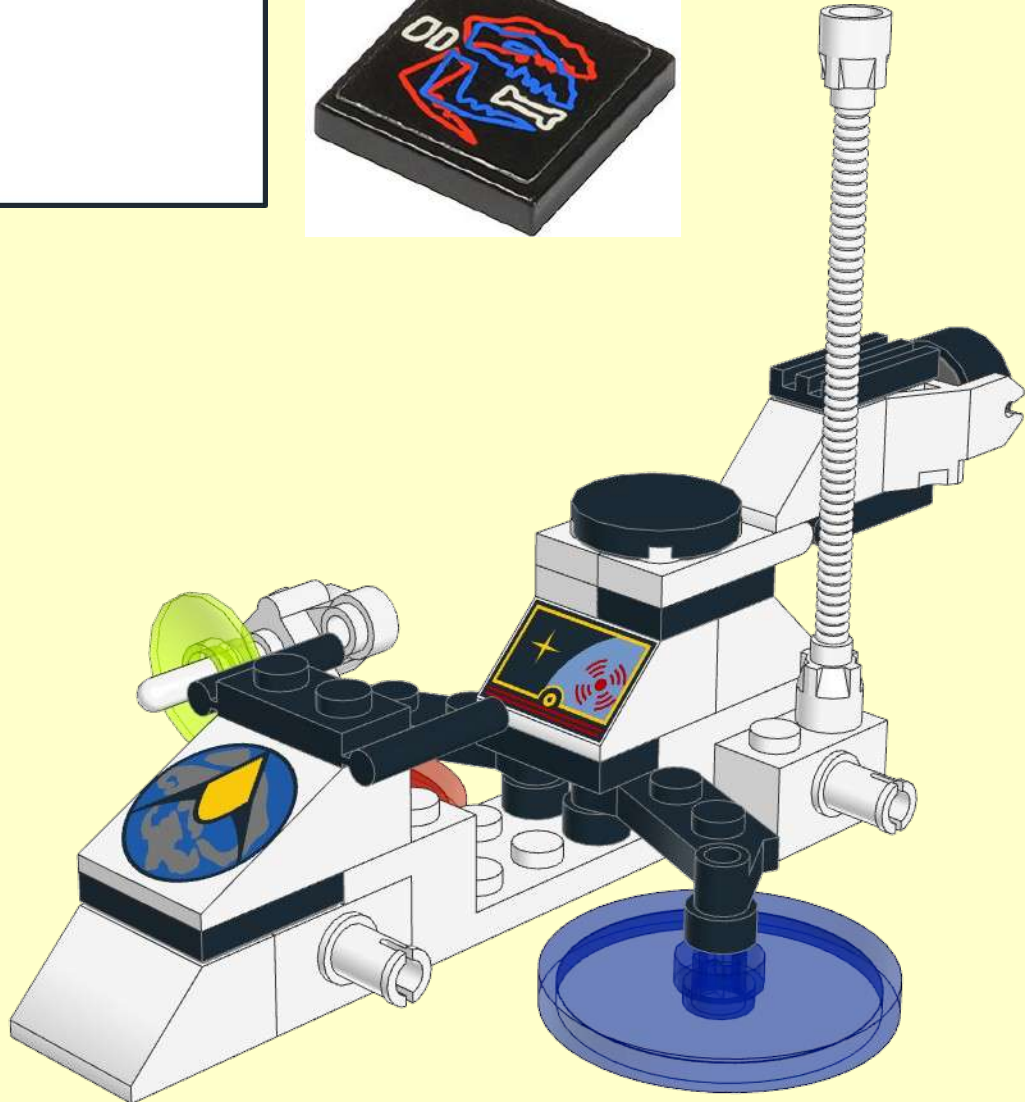
8

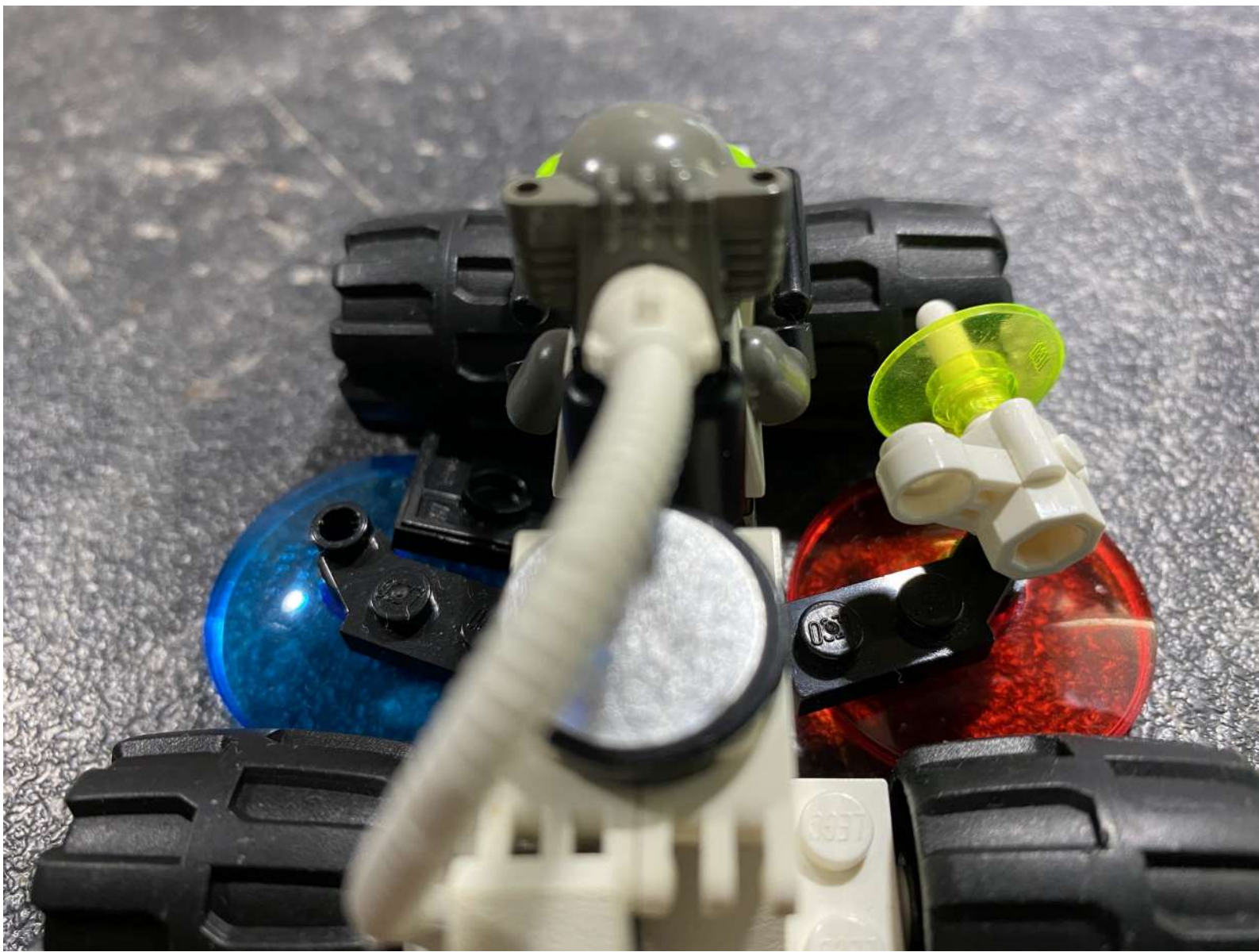


9

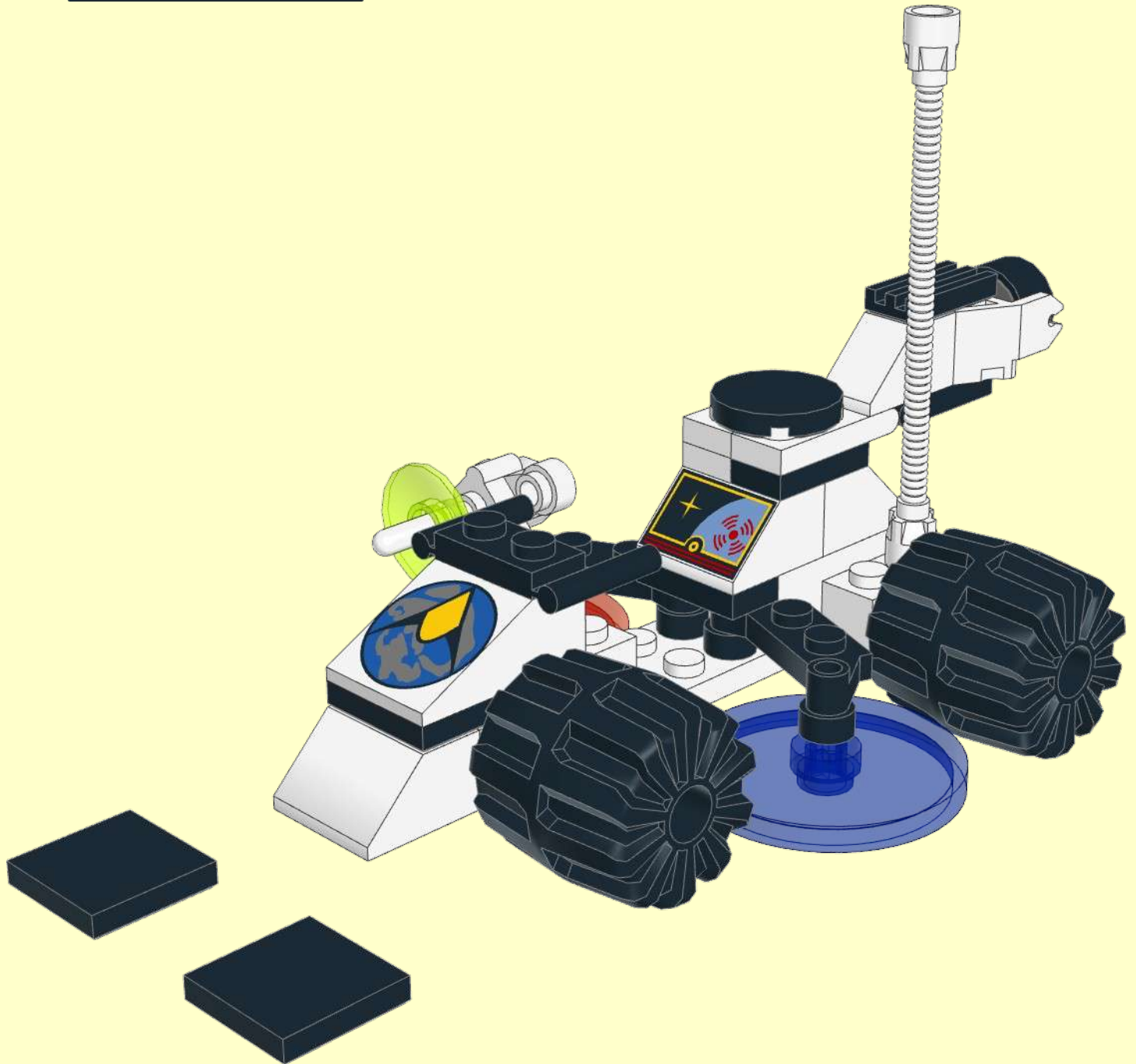
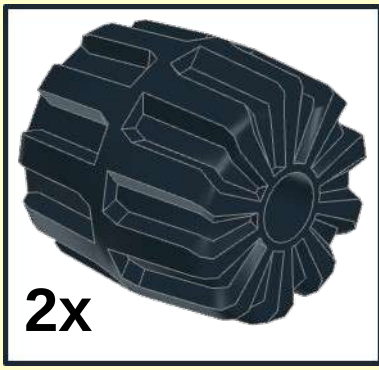


2x





10



11

