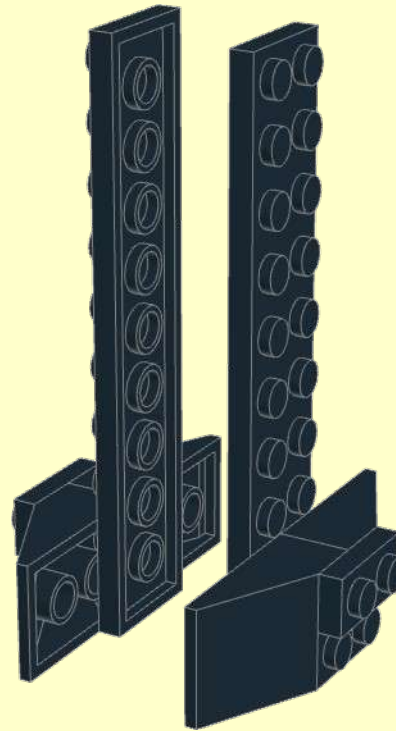
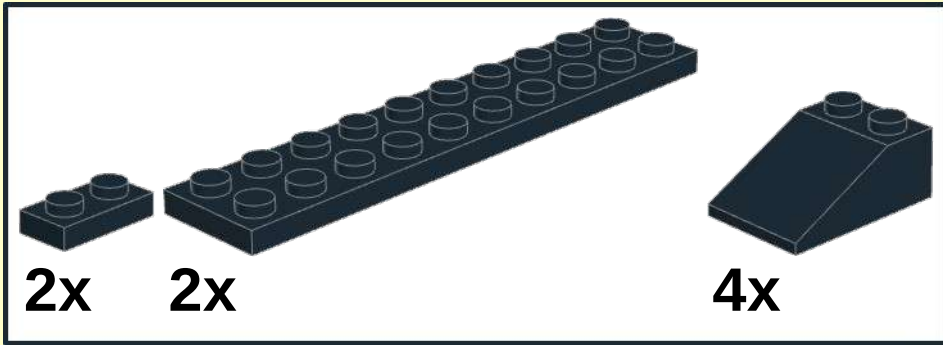
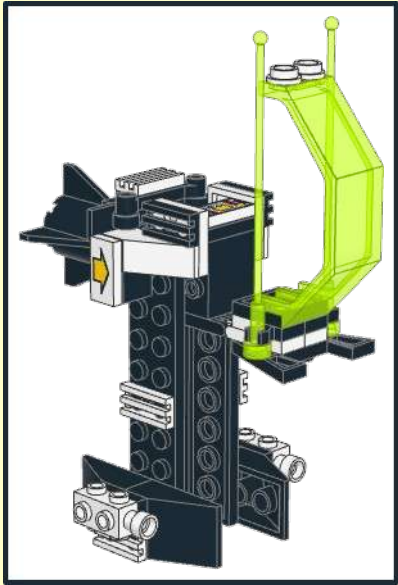
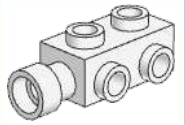


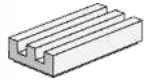
1



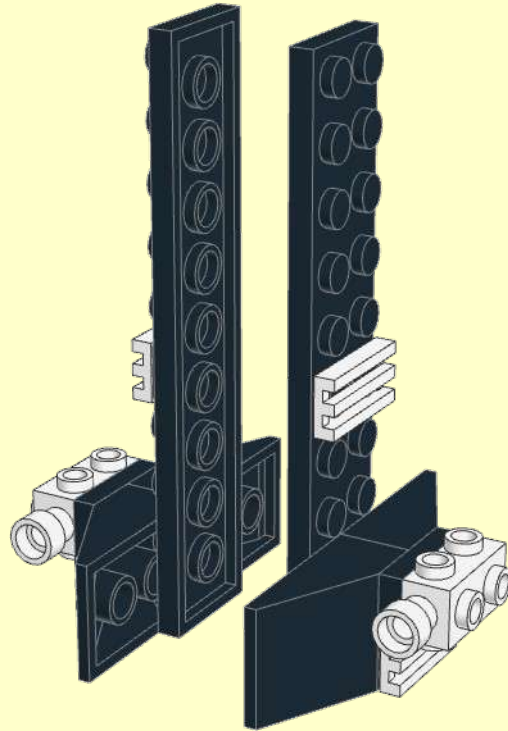
2



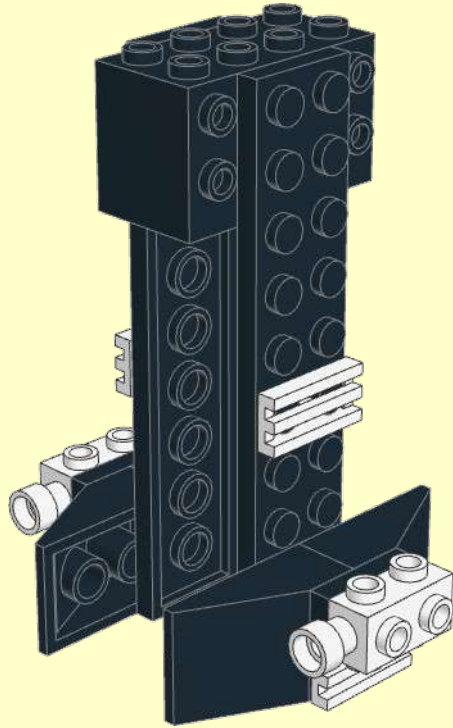
2x



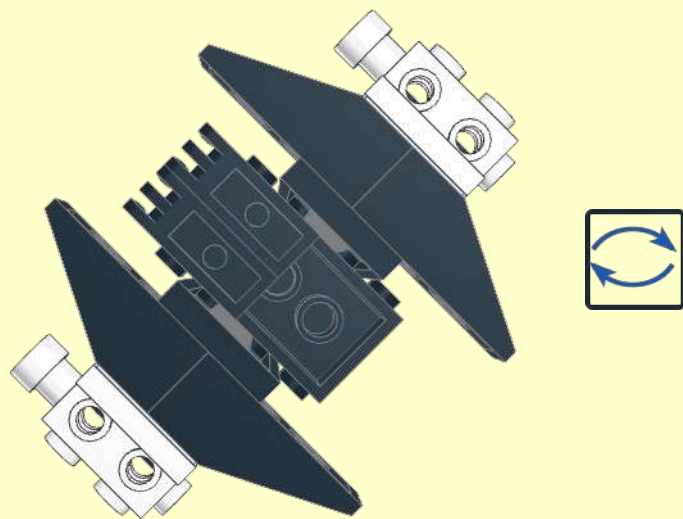
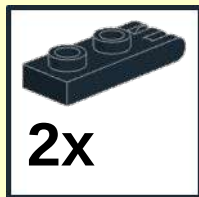
4x



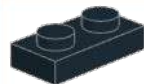
3



4



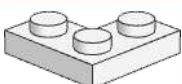
5



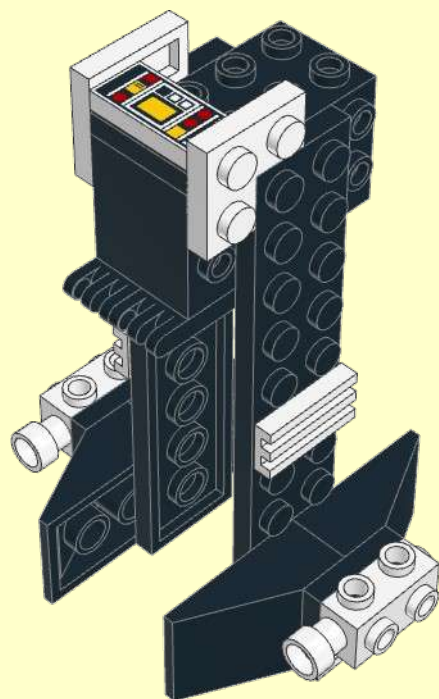
1x



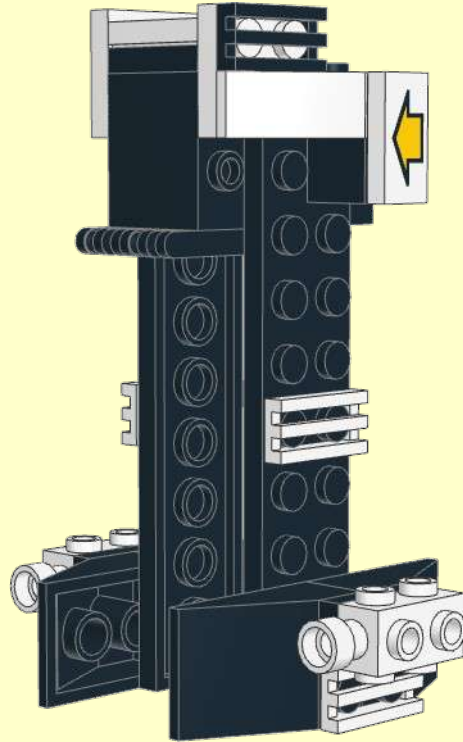
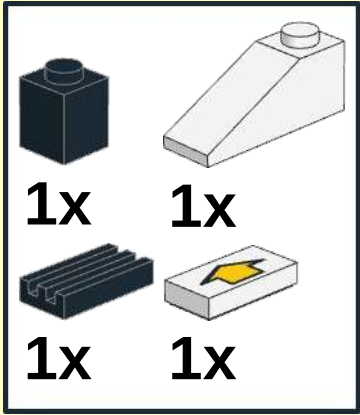
1x



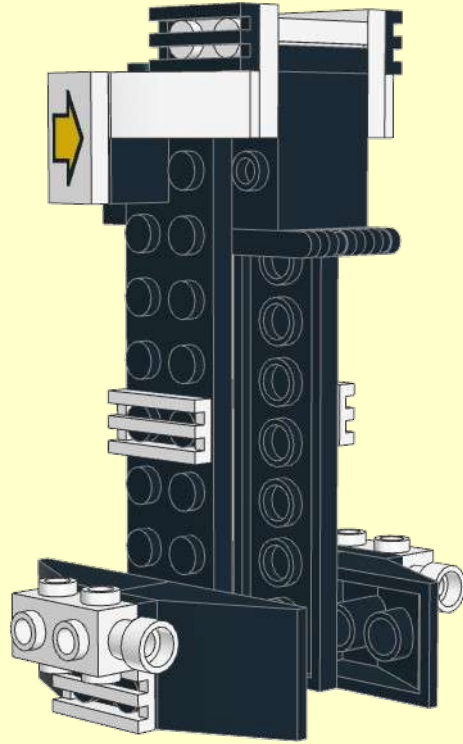
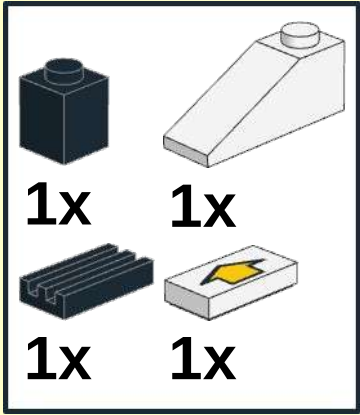
2x

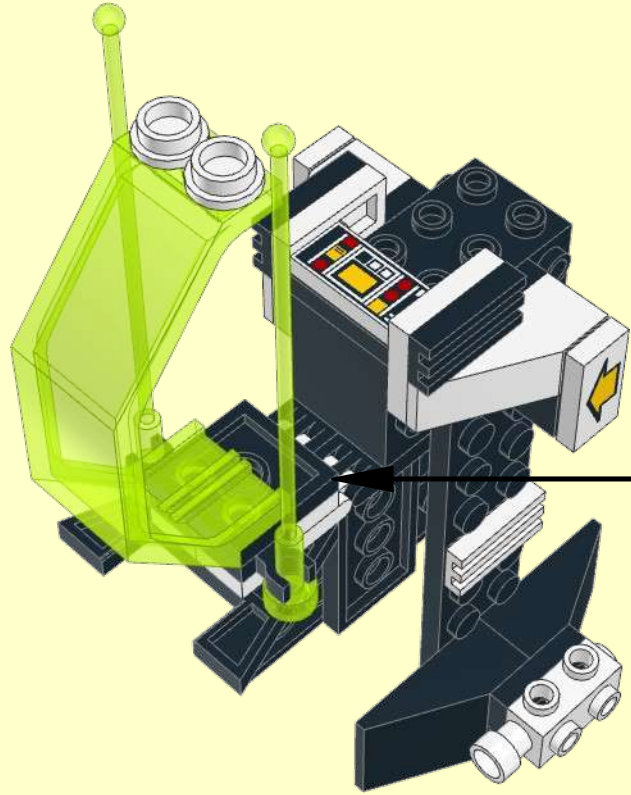


6

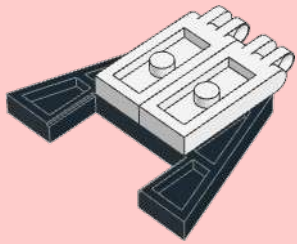
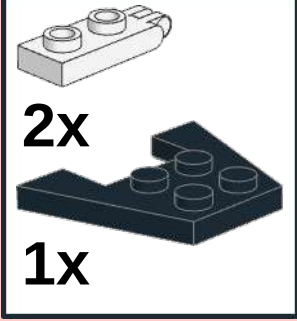


7

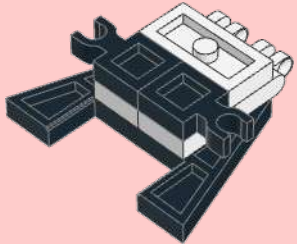
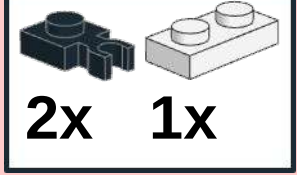




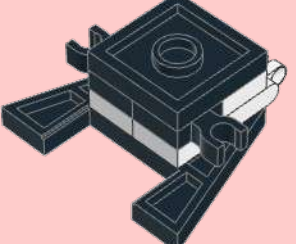
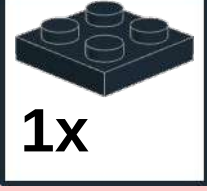
1



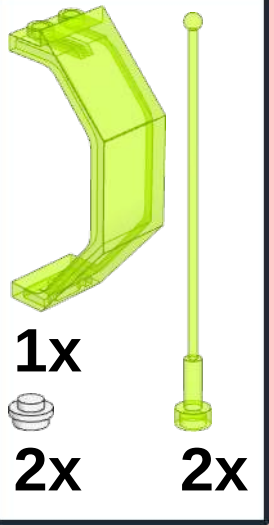
2



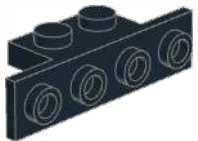
3



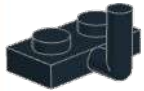
4



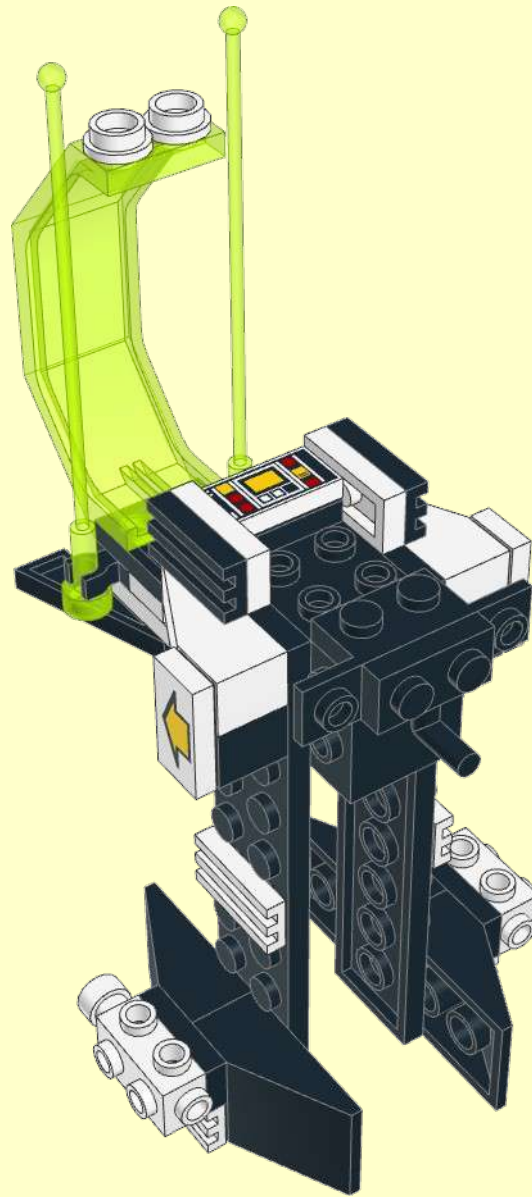
9



1x




1x




10


1x



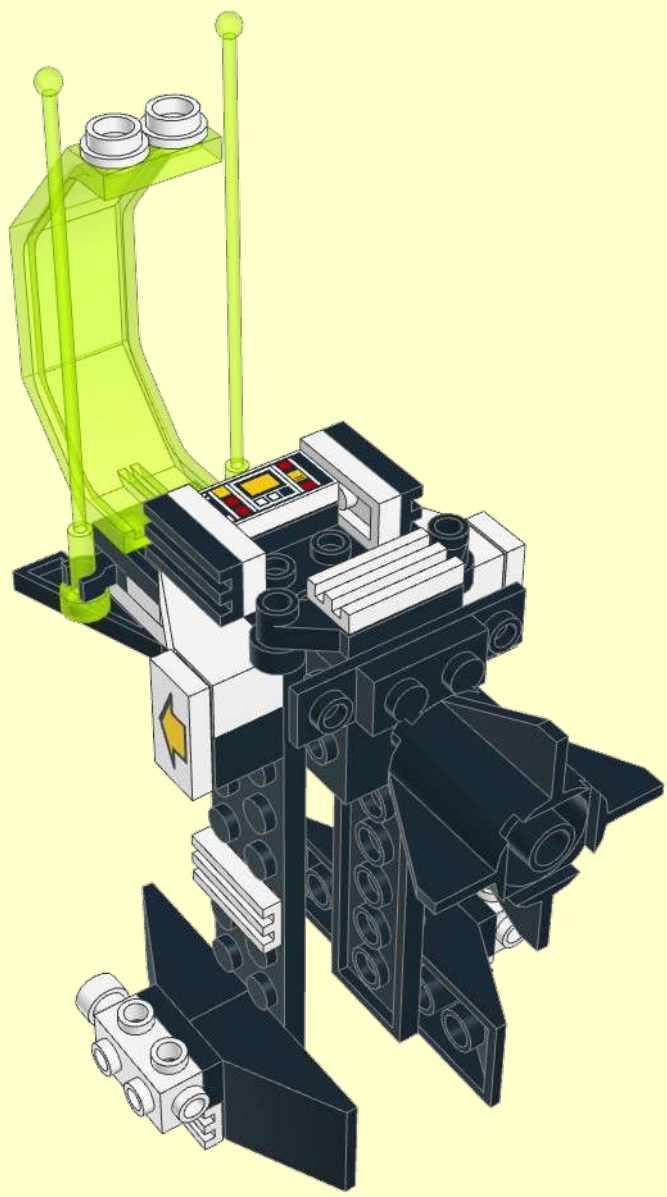
1x



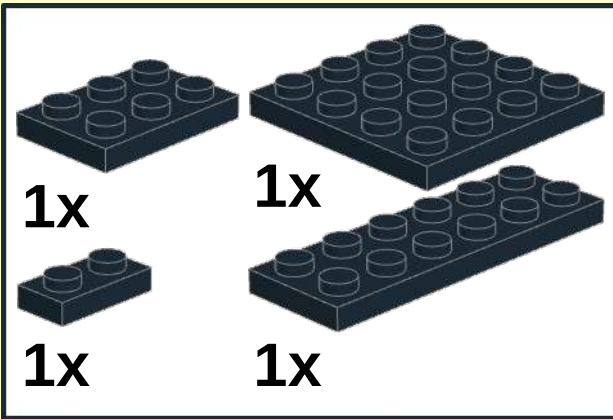
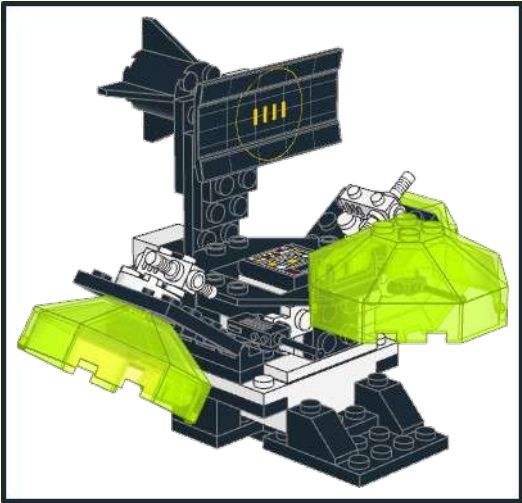
1x



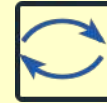
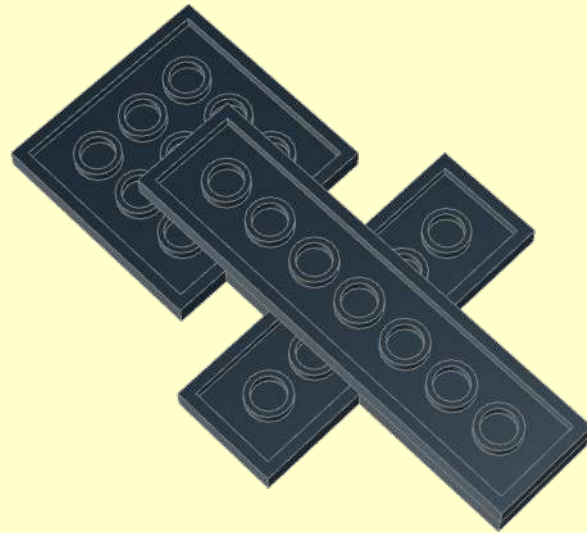
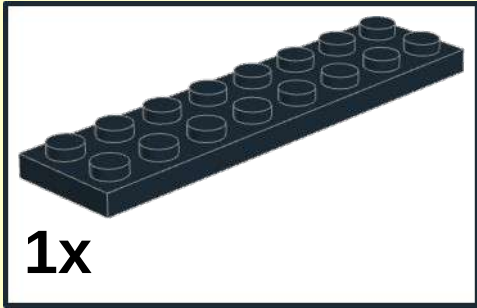
1x



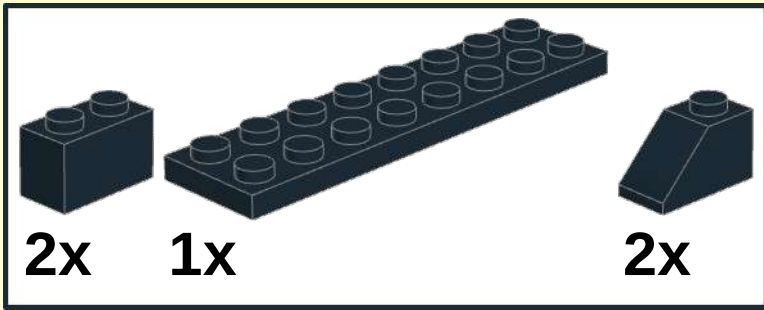
1



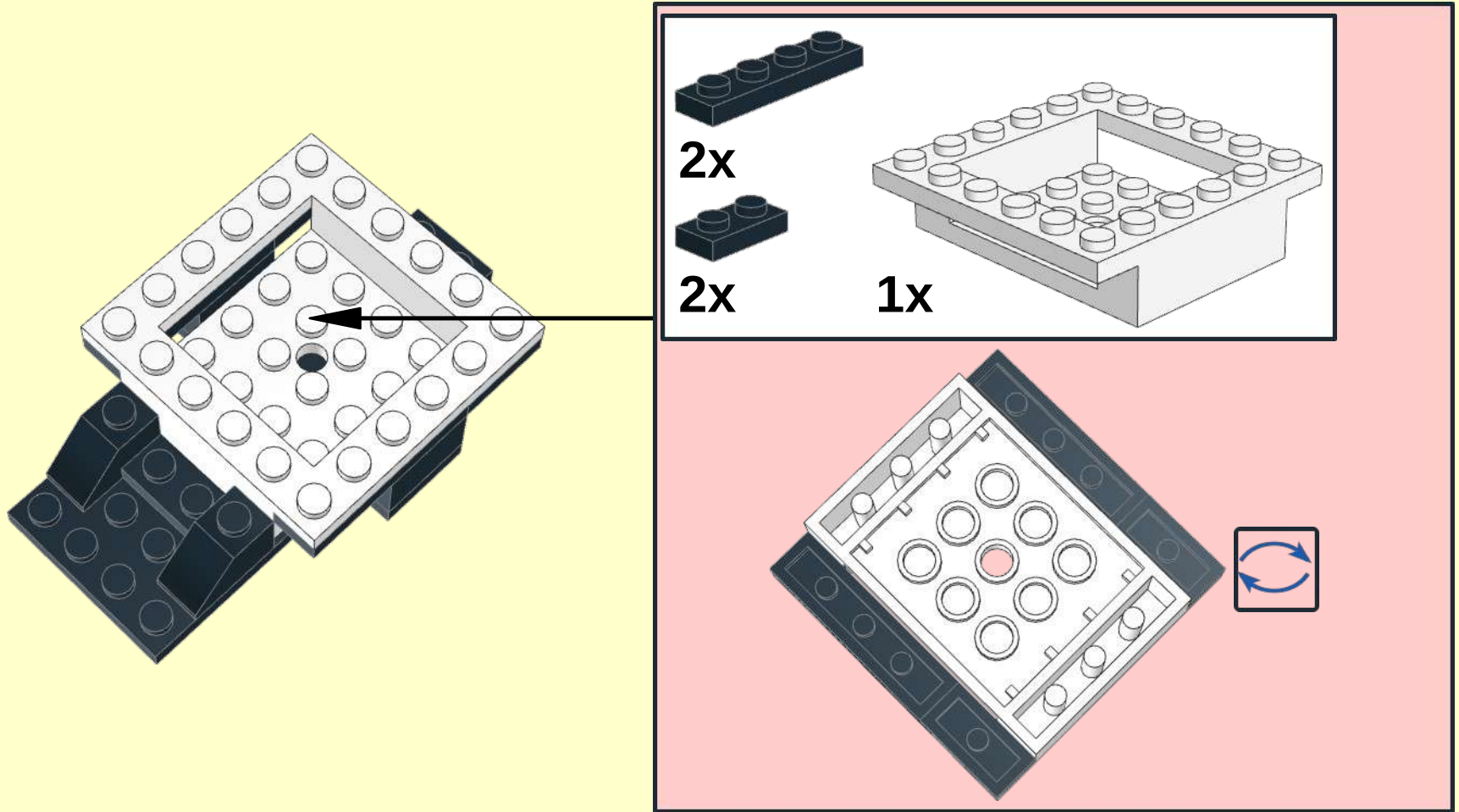
2



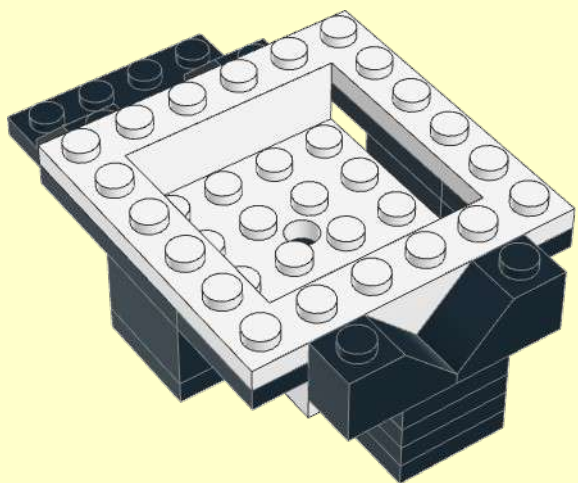
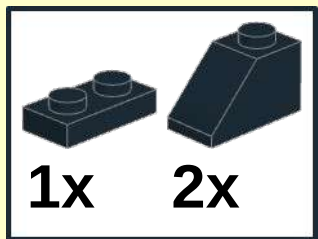
3



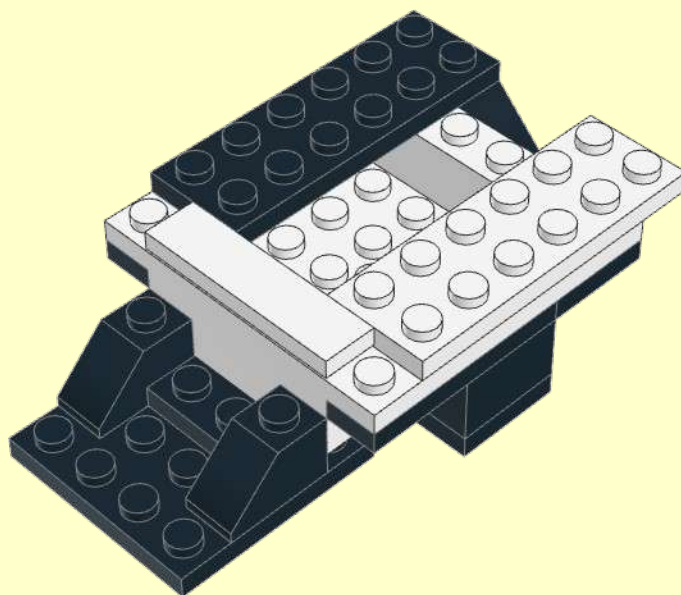
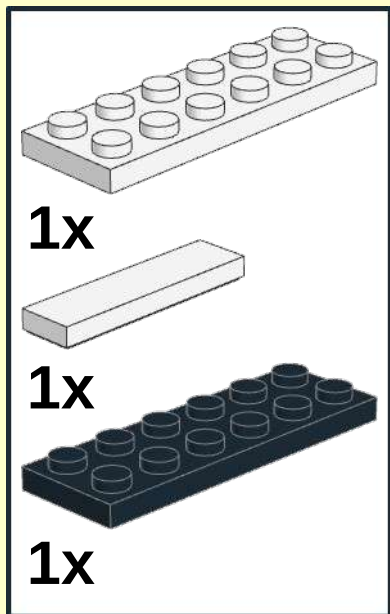
4



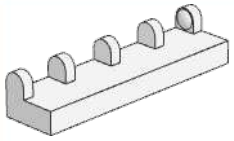
5



6



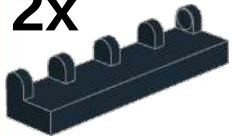
7



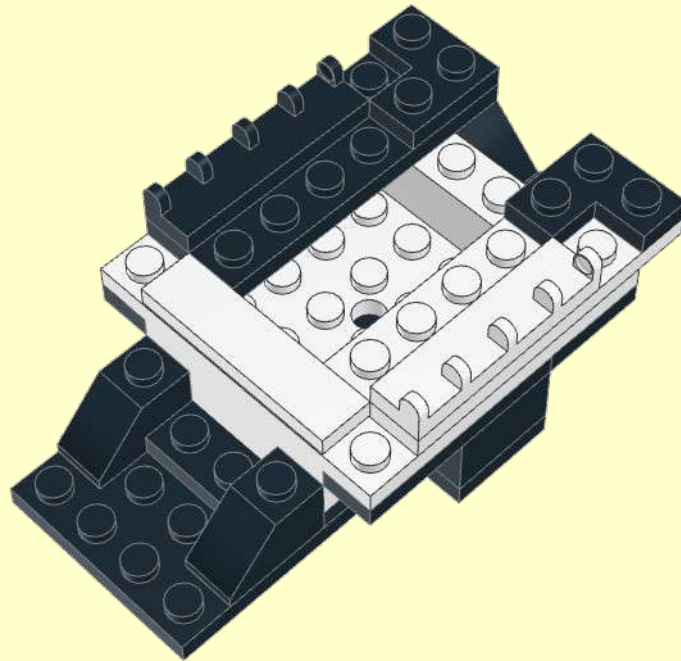
1x

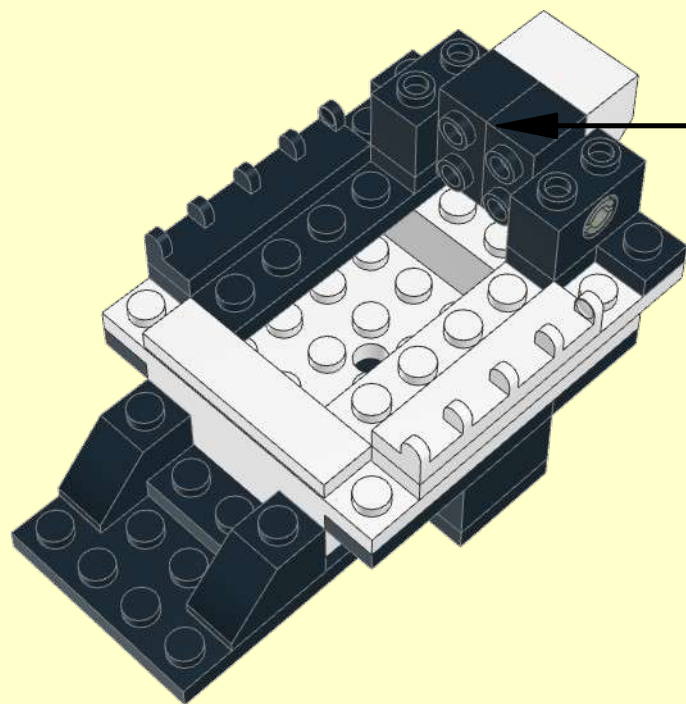


2x



1x





1

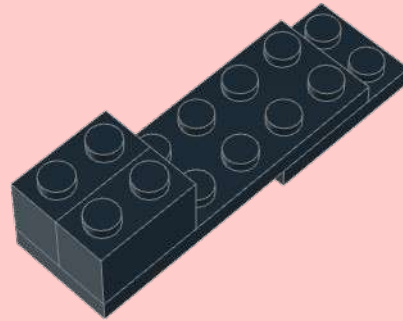
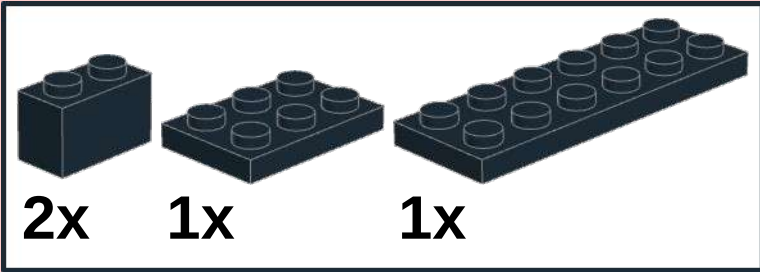
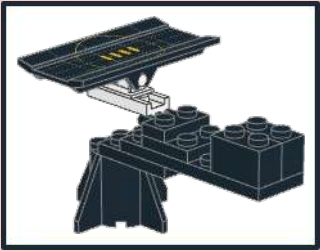
2x

2x **1x**

2

2x

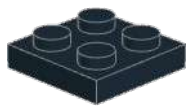
1



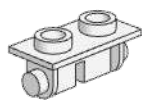
2



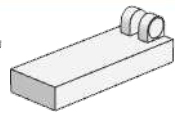
1x



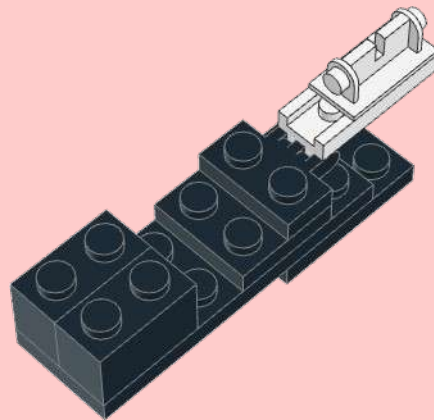
1x



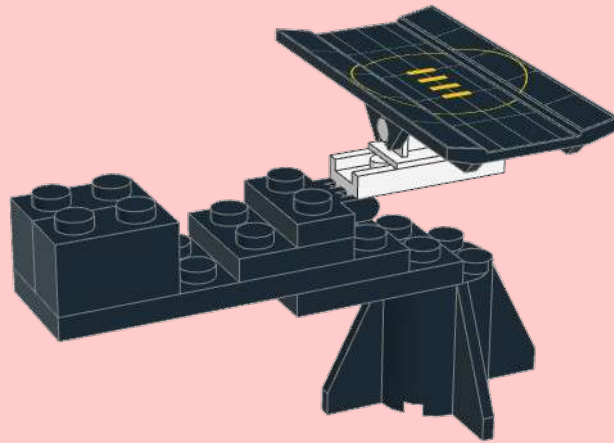
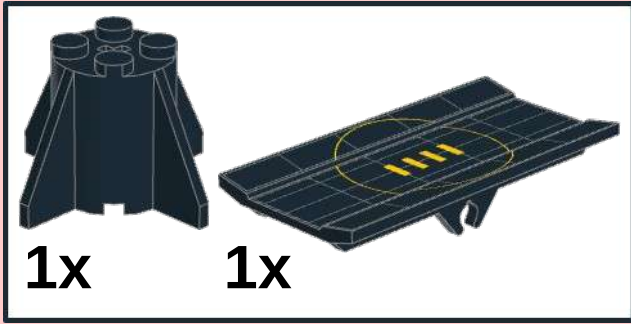
1x

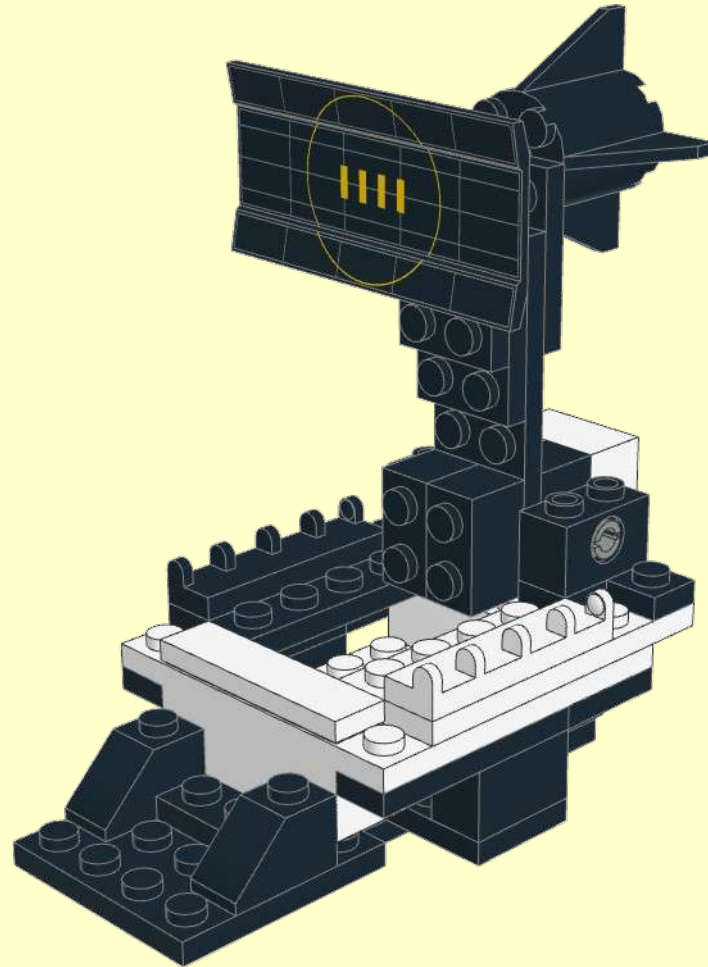


1x

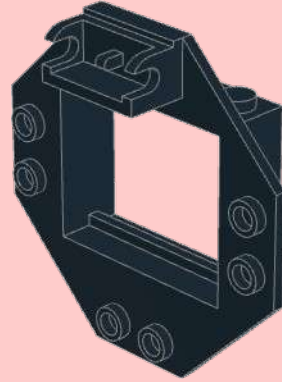
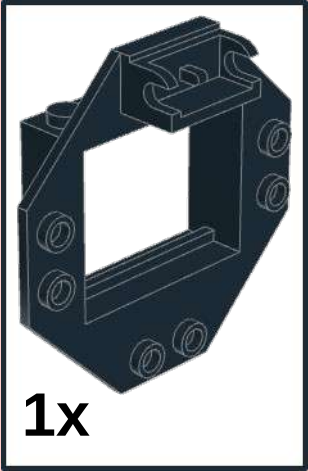


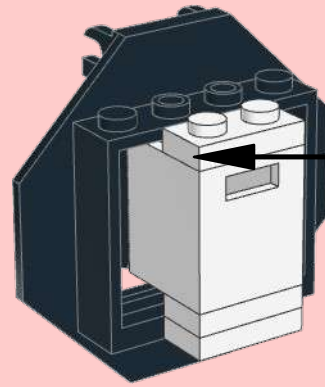
3





1





3x

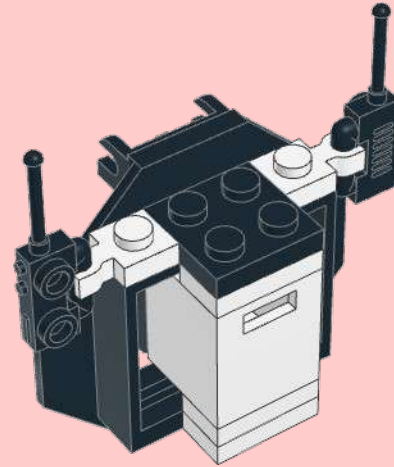
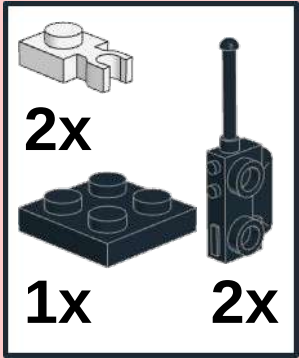
1x 1x

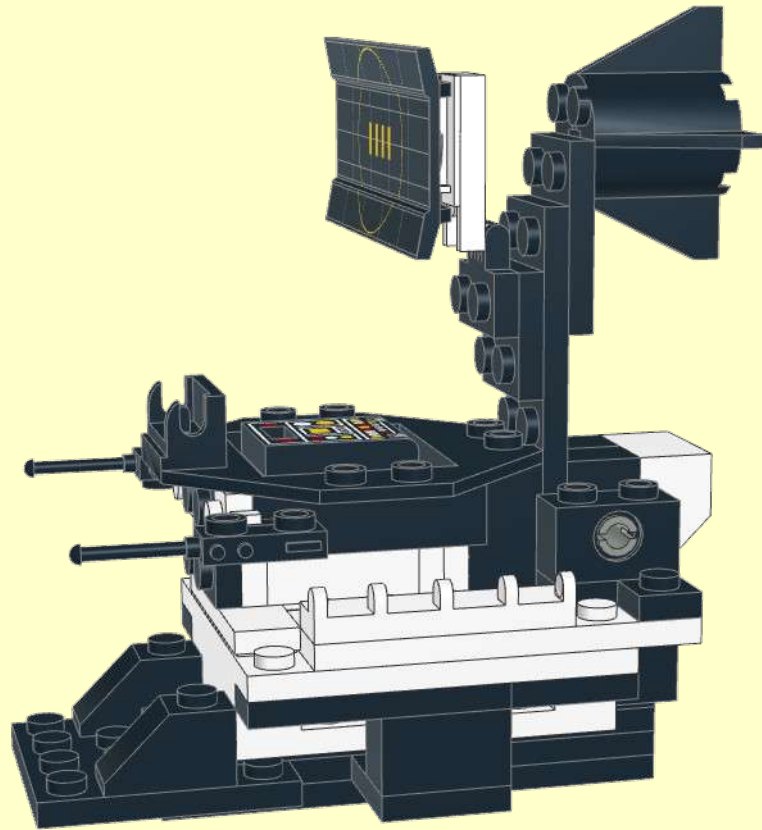
The parts list box contains the following items:

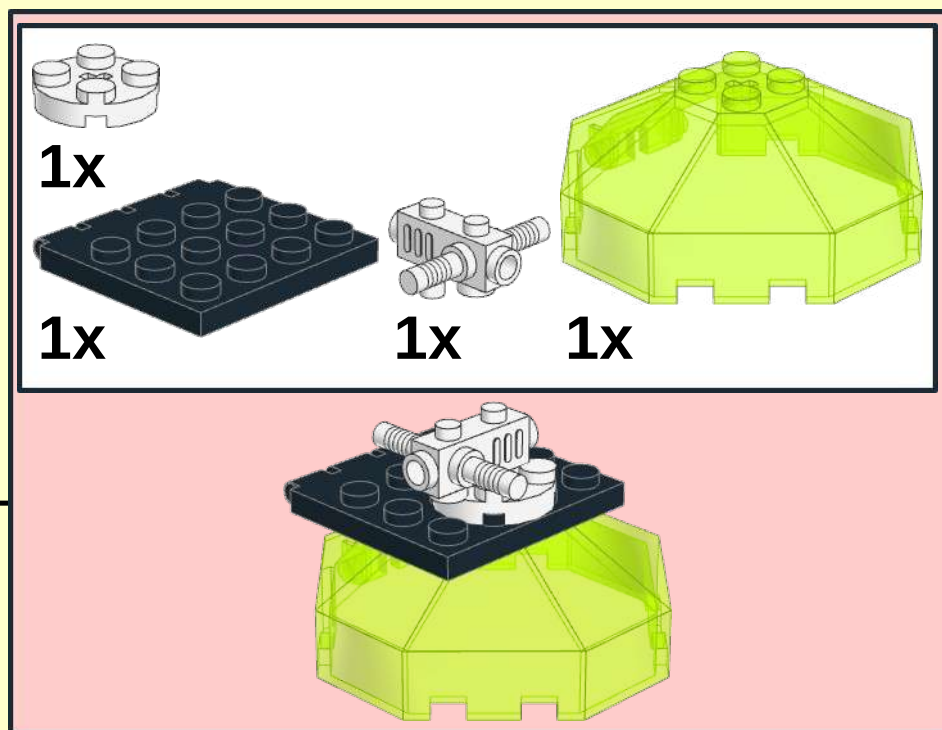
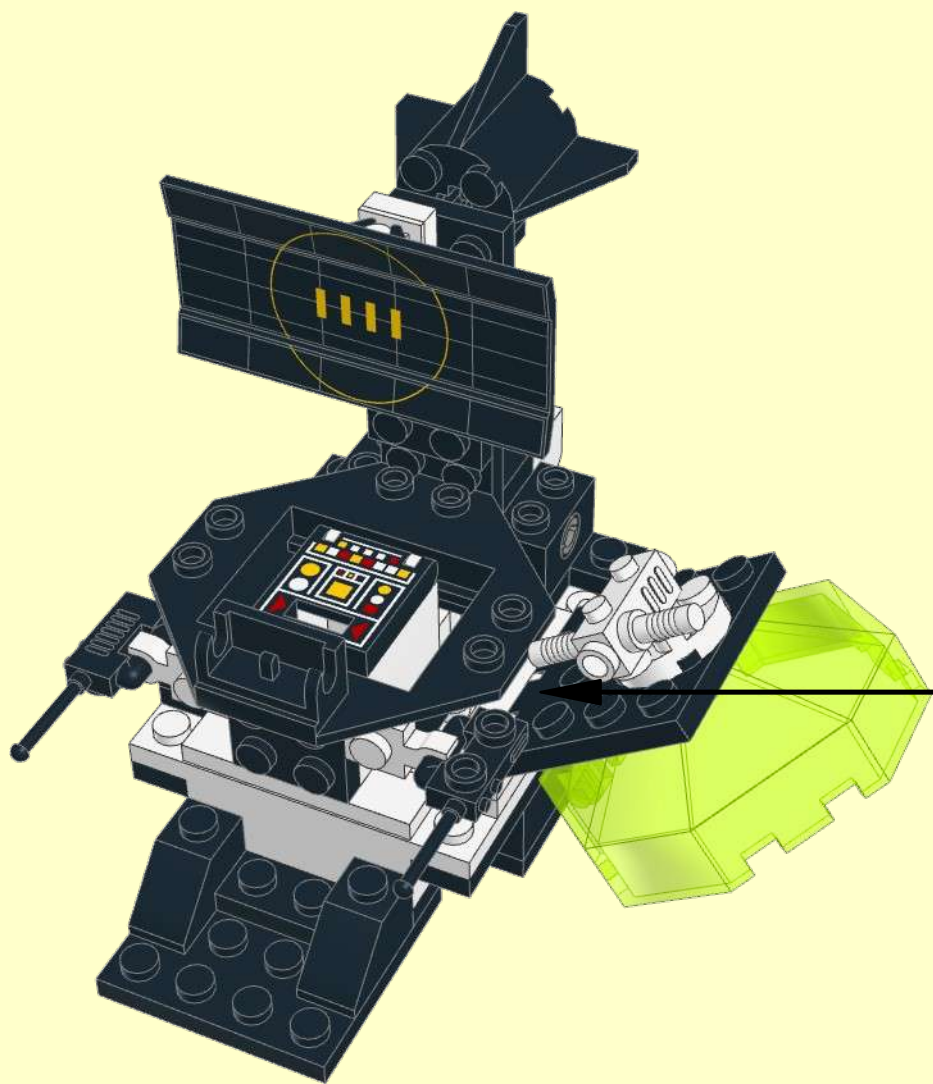
- 3x White 1x3 Technic brick with 3 pins
- 1x Black 1x3 Technic control panel with various colored buttons
- 1x White 1x3 Technic brick with 3 pins and a tab

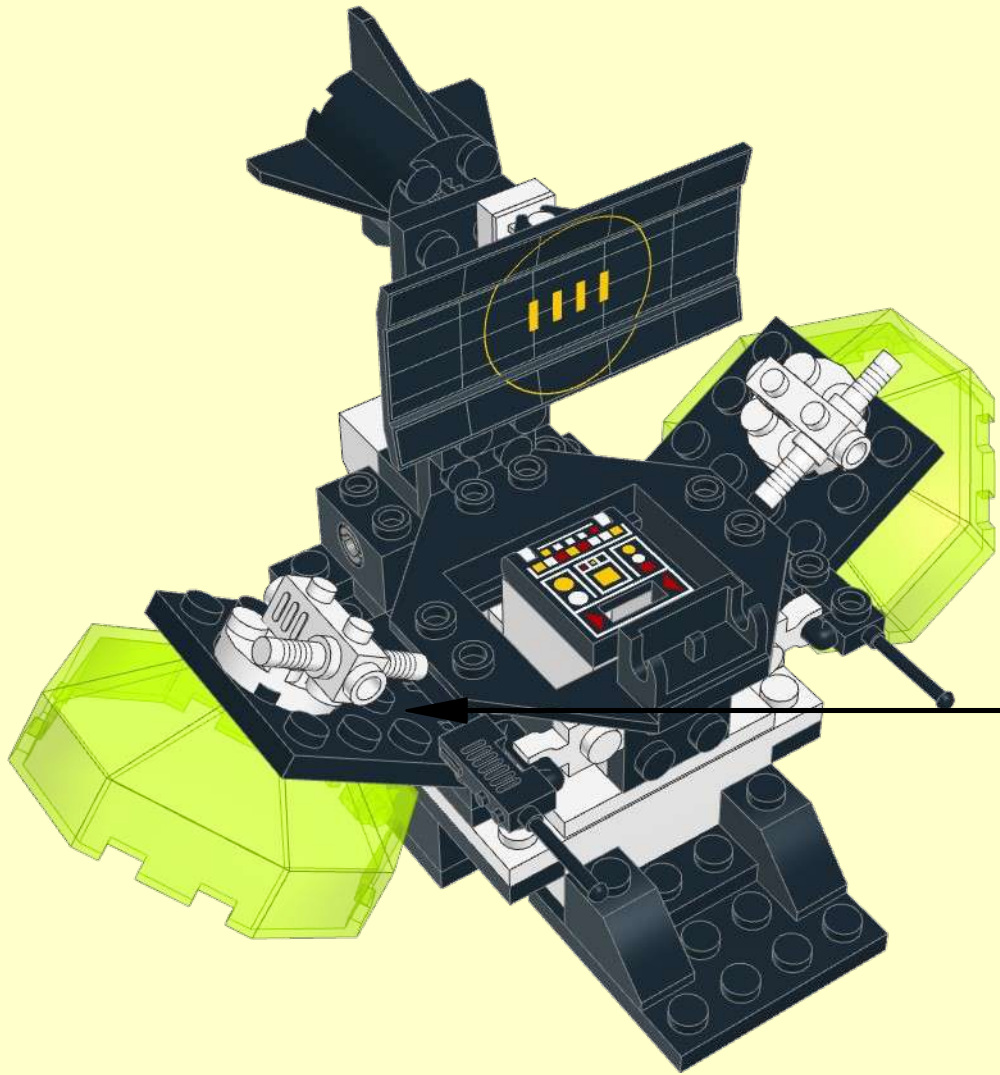
Below the parts list is a larger assembly diagram showing the black control panel and white brick attached to the top of the white component from the main diagram.

3









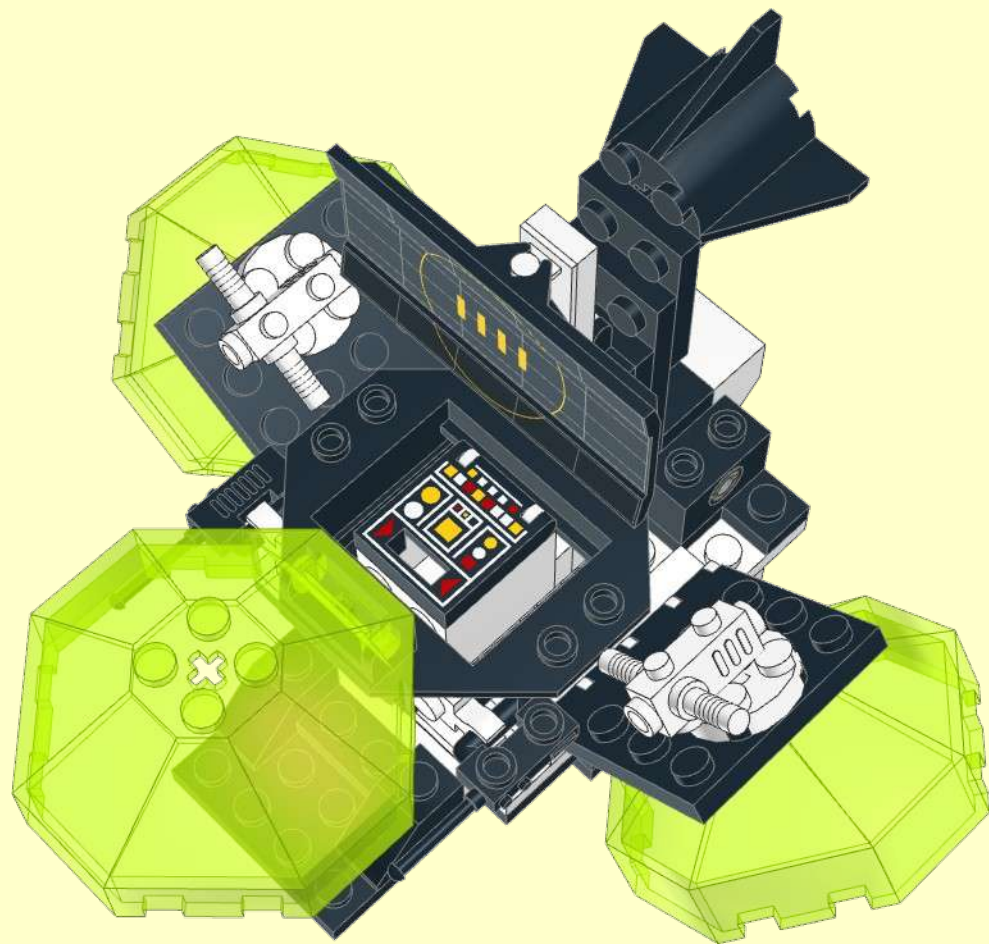
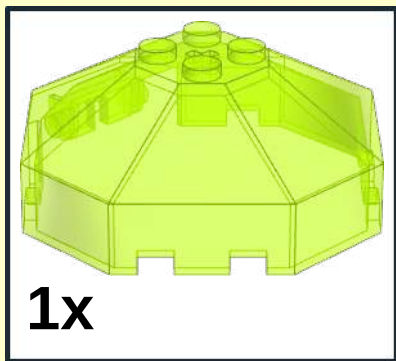
1x

1x

1x

1x

13



3

