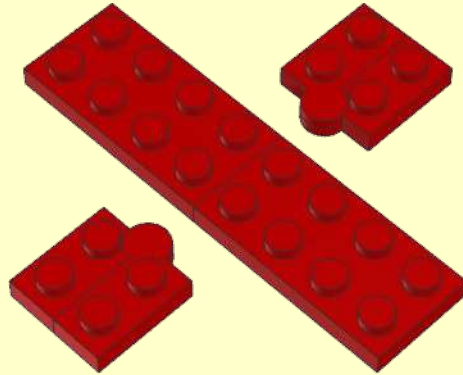
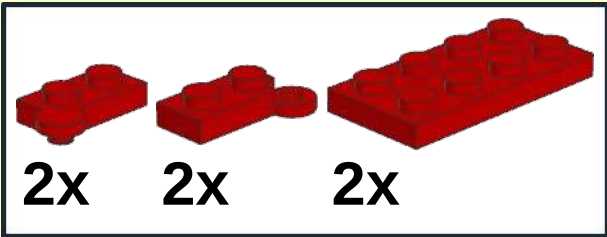
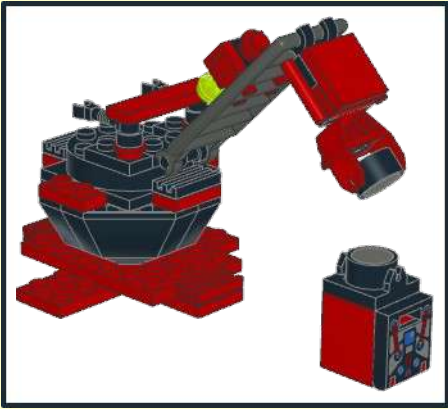
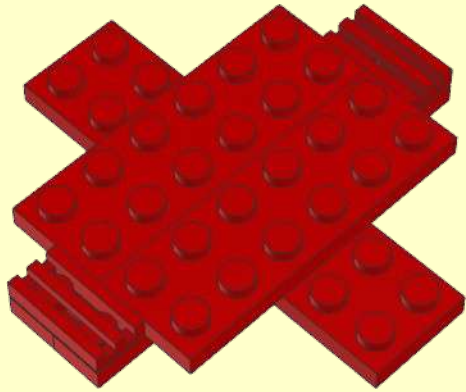
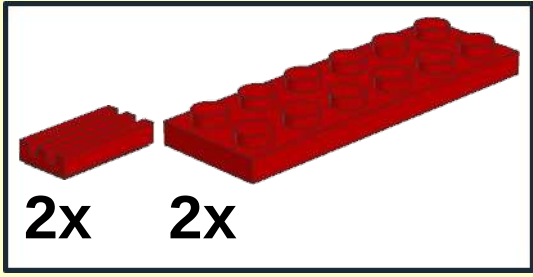


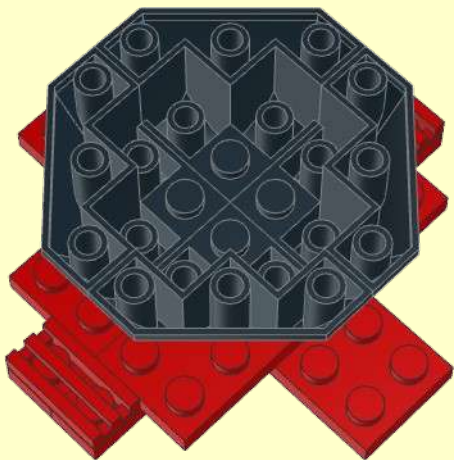
1



2



3



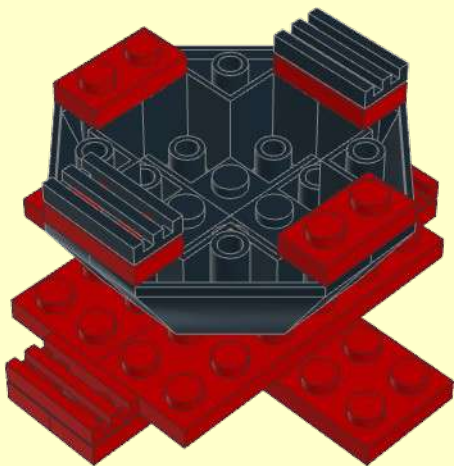
4



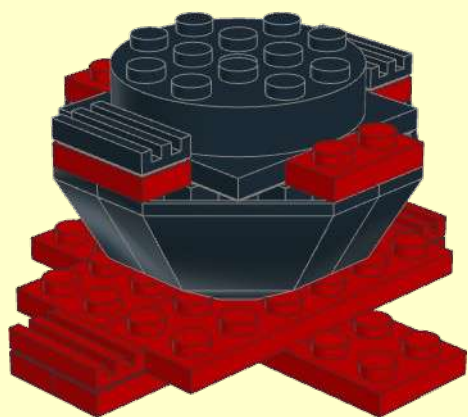
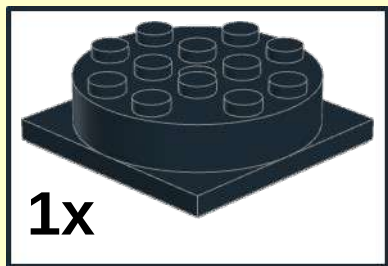
4x



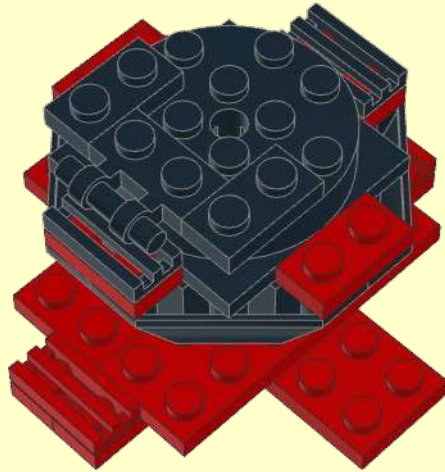
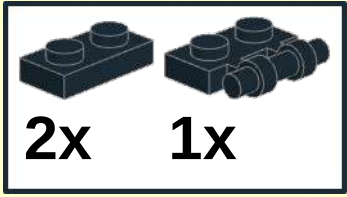
2x



5



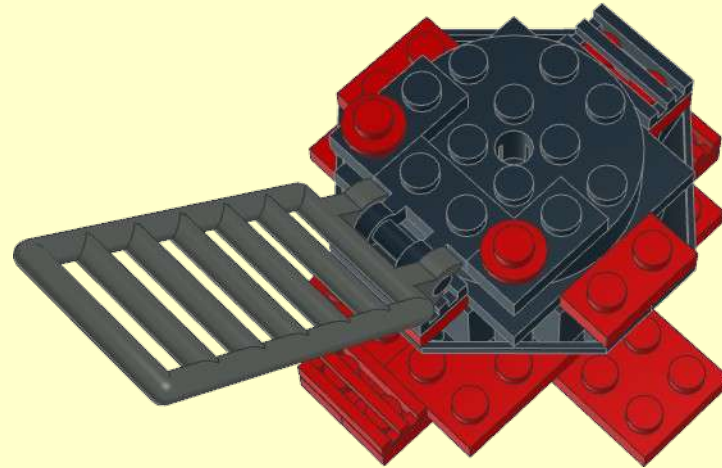
6



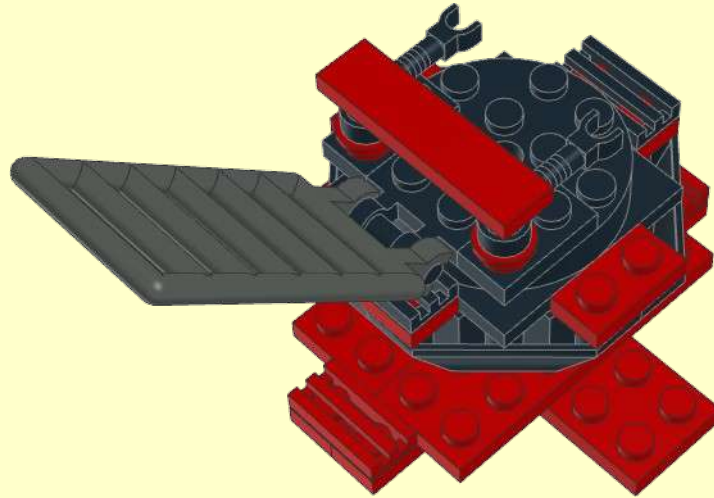
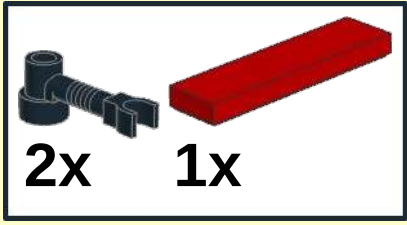
7

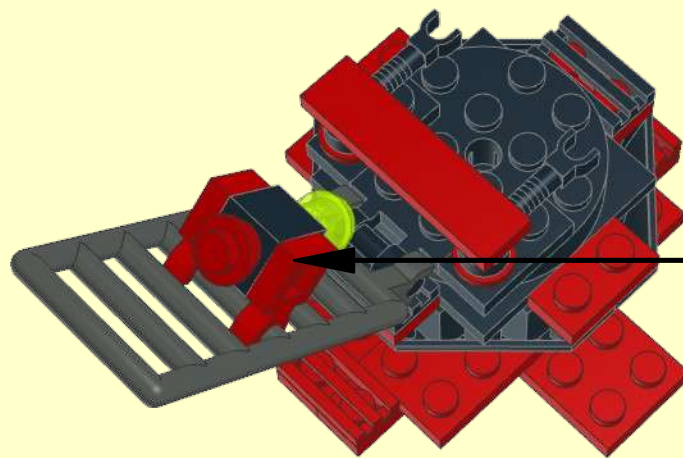


2x 1x



8





1

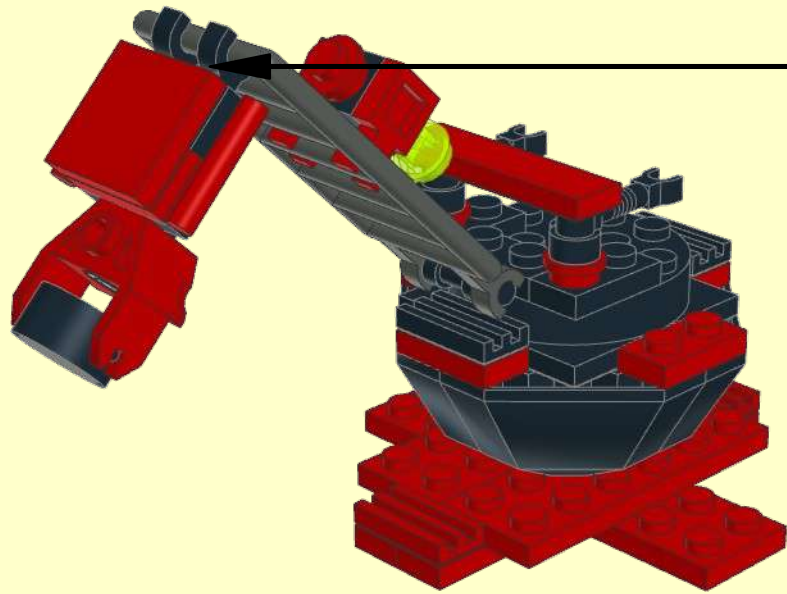
1x

1x 1x

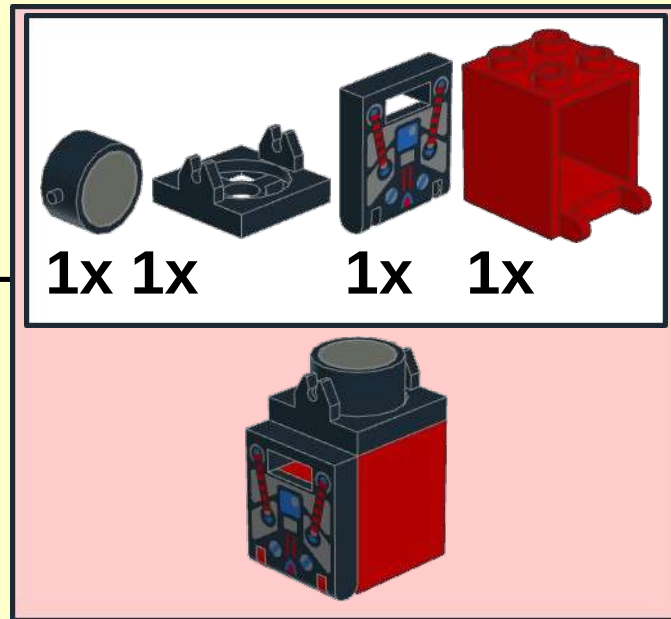
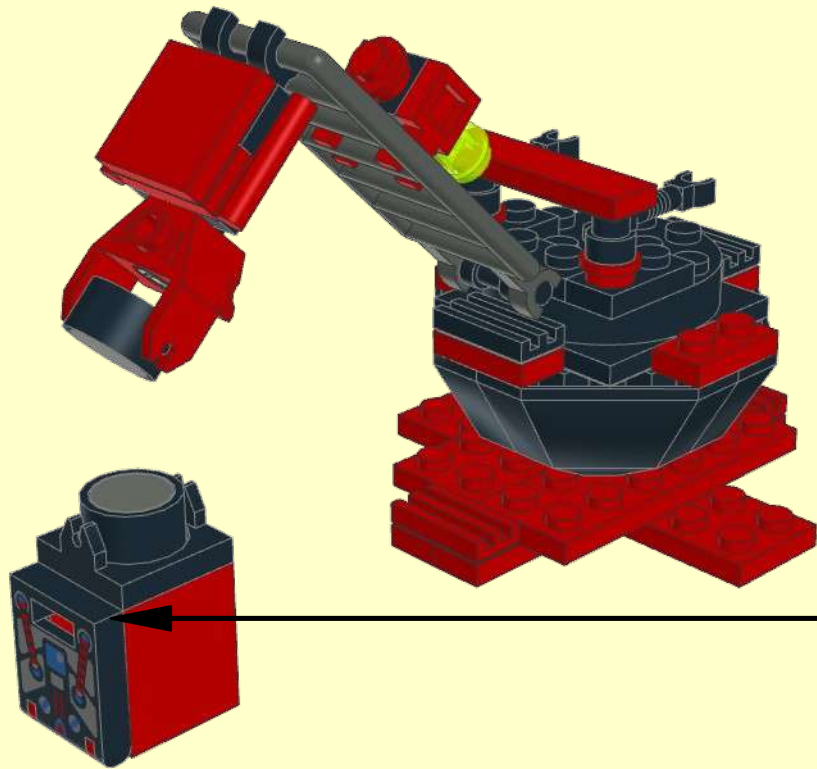
2

2x

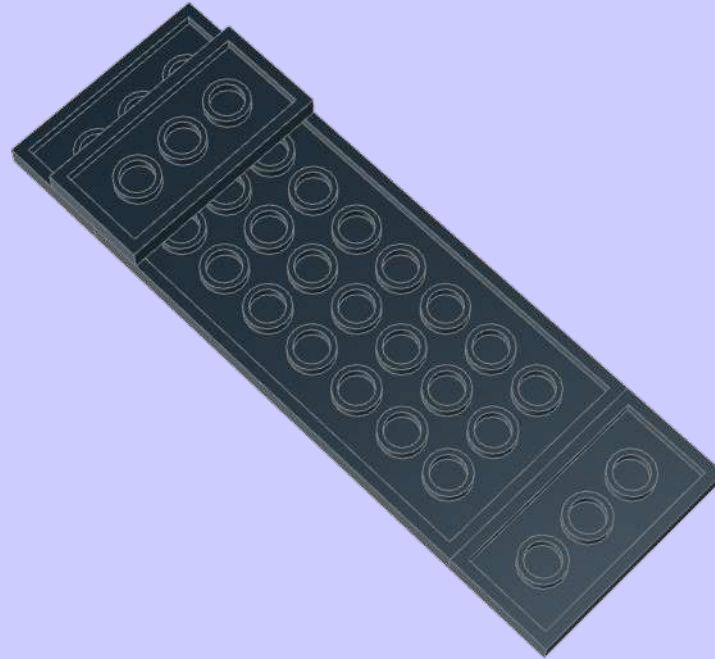
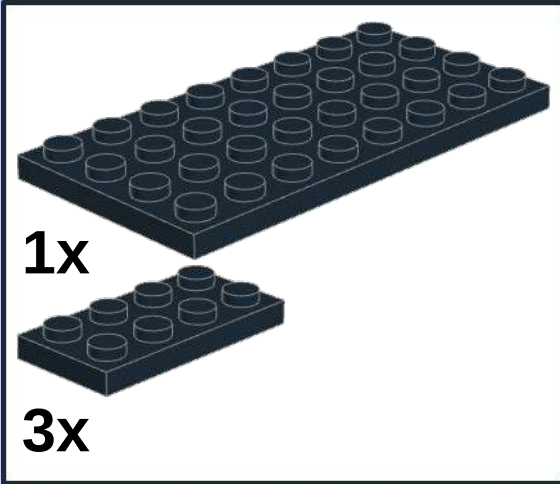
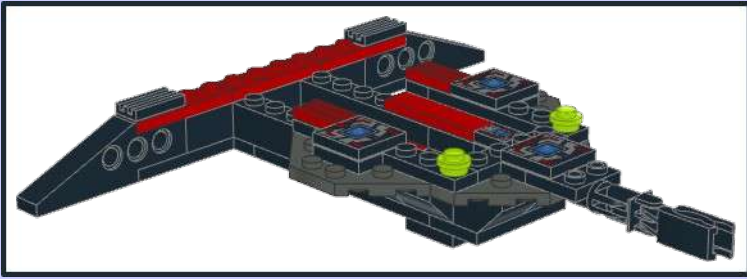
The parts list is contained within a vertical rectangular box with a pink background. It is organized into two sections. The first section, labeled '1', lists three items: a red bush (1x), a black 1x2 brick with a hole (1x), and a yellow bush (1x). The second section, labeled '2', lists two items: a black 1x2 brick with a hole and a red bush (2x), and a red 1x2 brick with a hole and a yellow bush (2x). Each item is accompanied by a small image of the part.



<p>1</p> <p>1x 2x 1x</p>	<p>2</p> <p>1x 1x</p>	<p>3</p> <p>1x 1x</p>



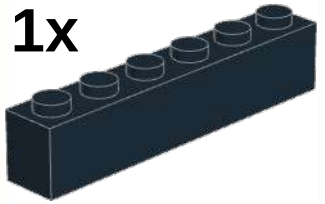
1



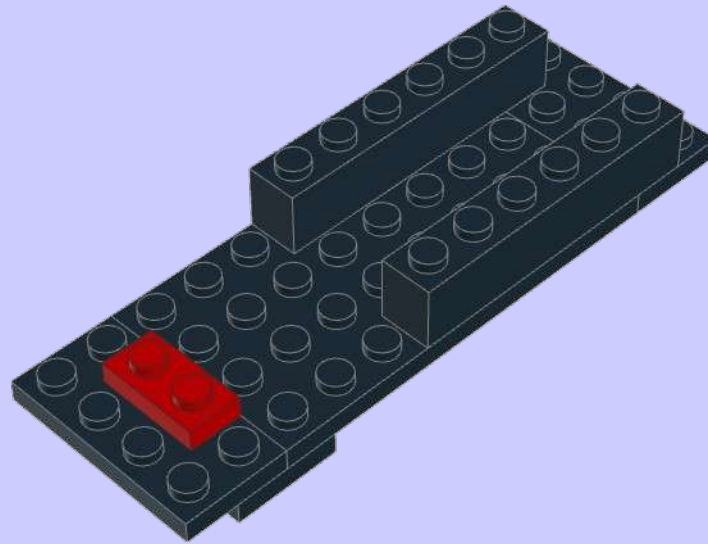
2



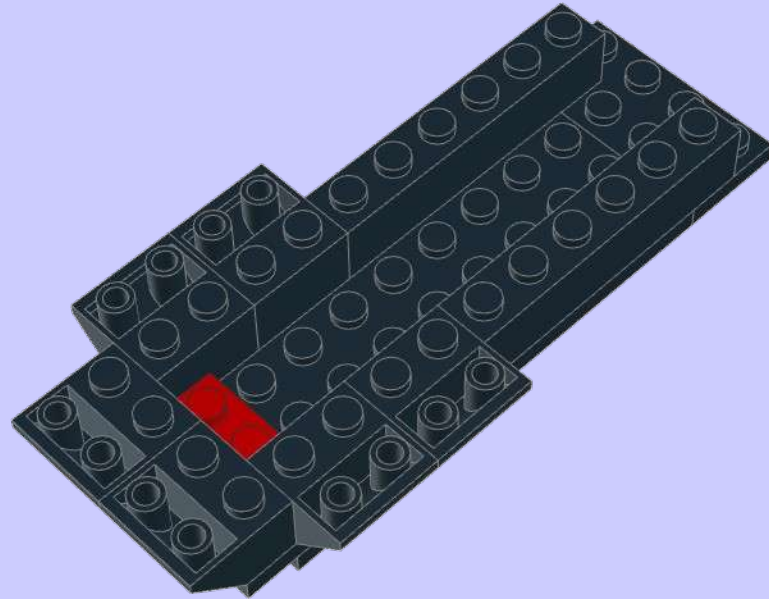
1x



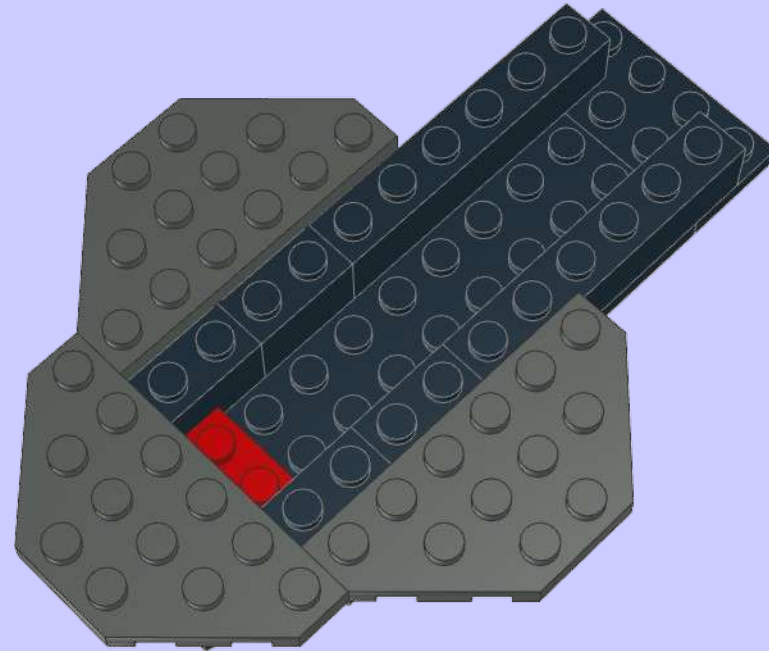
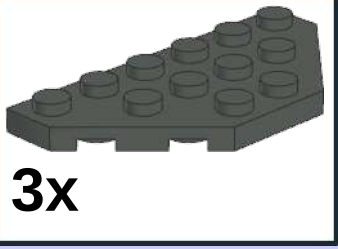
2x



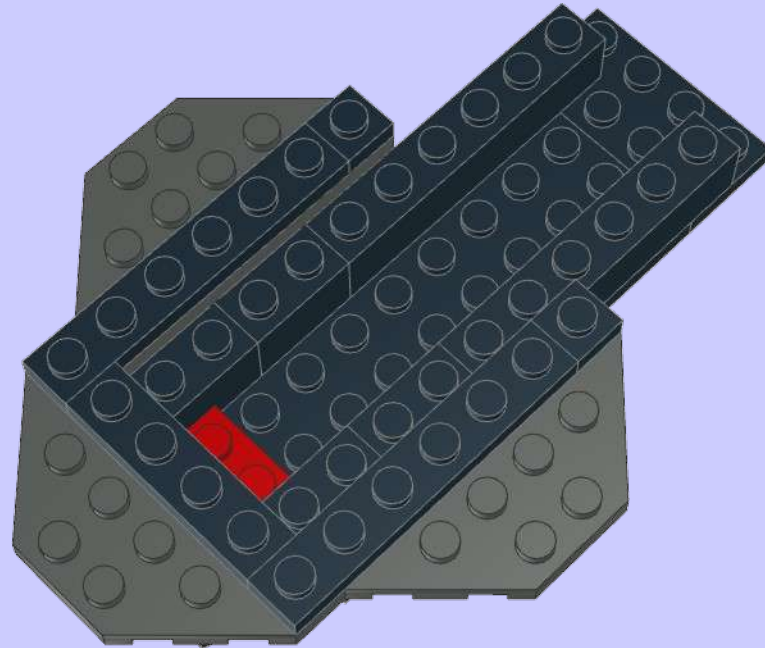
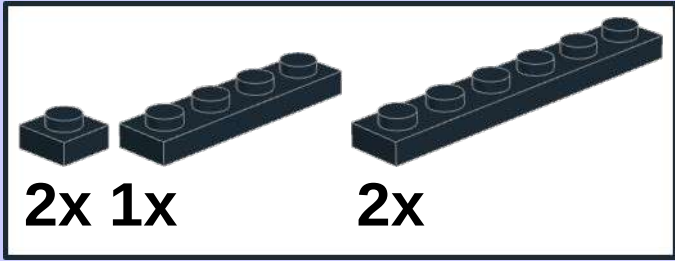
3



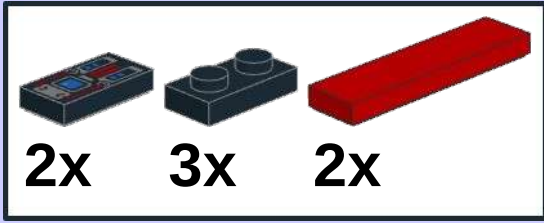
4



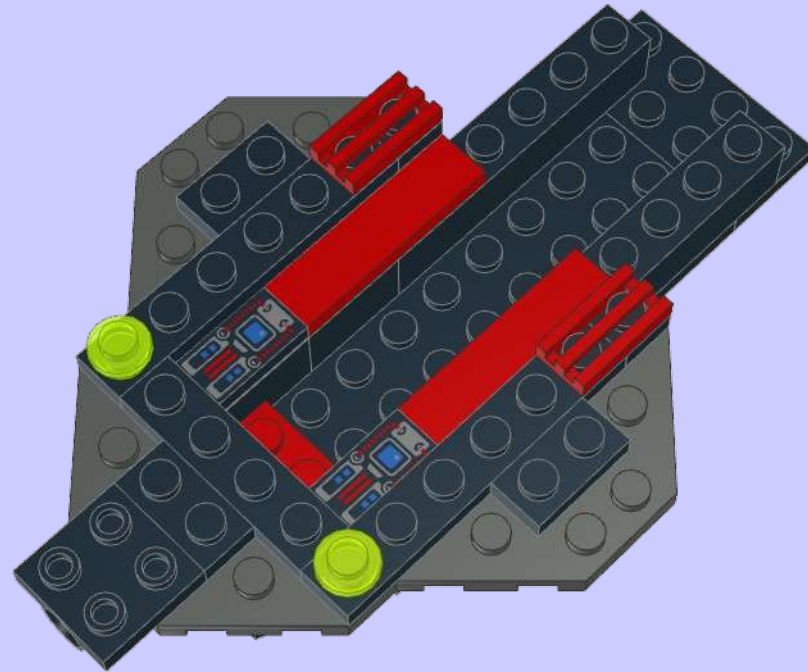
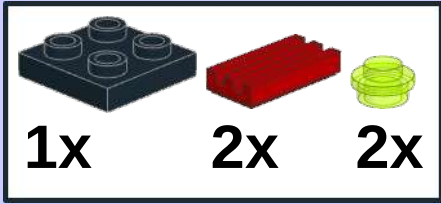
5

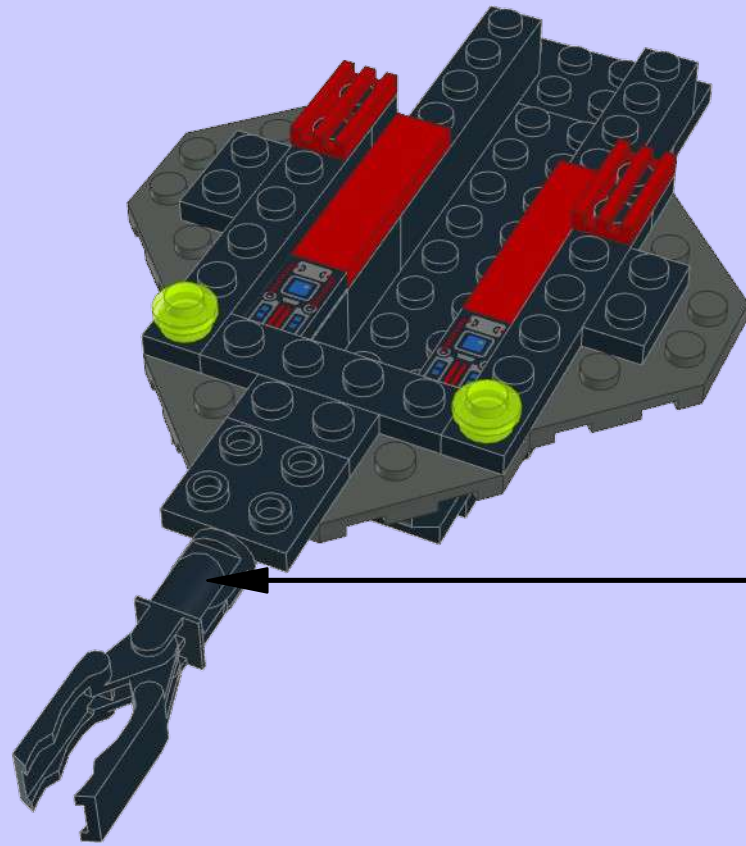


6



7





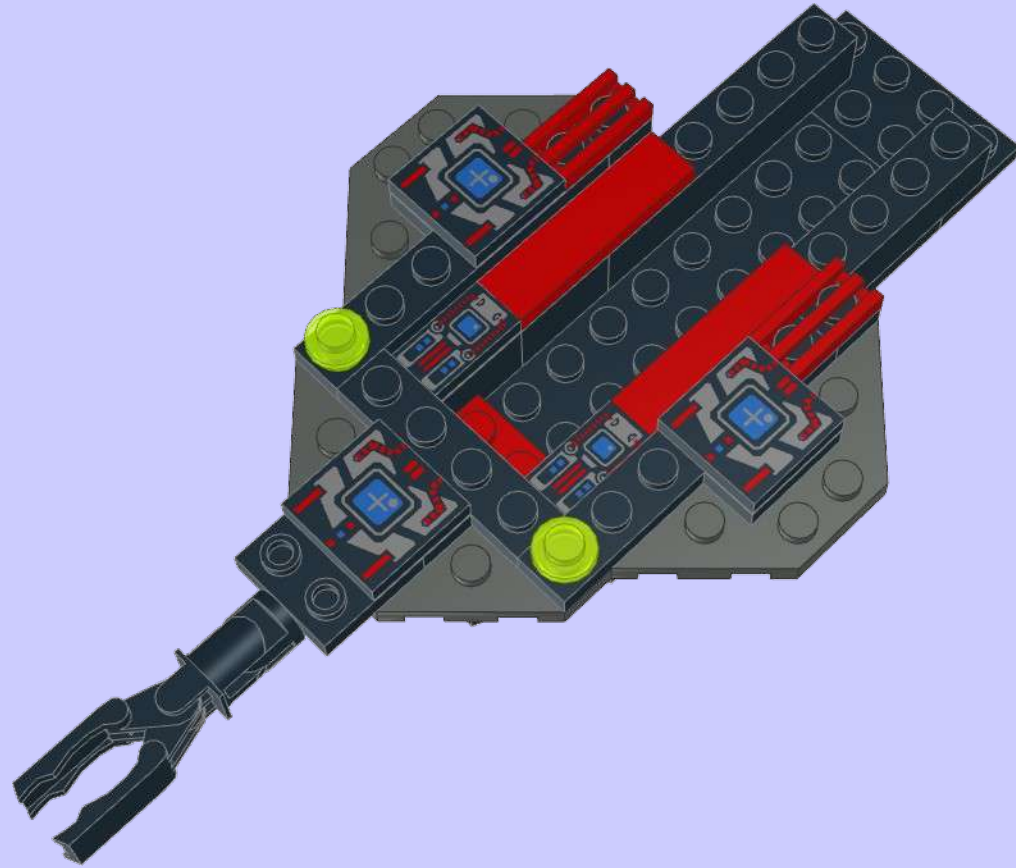
1

1x 1x

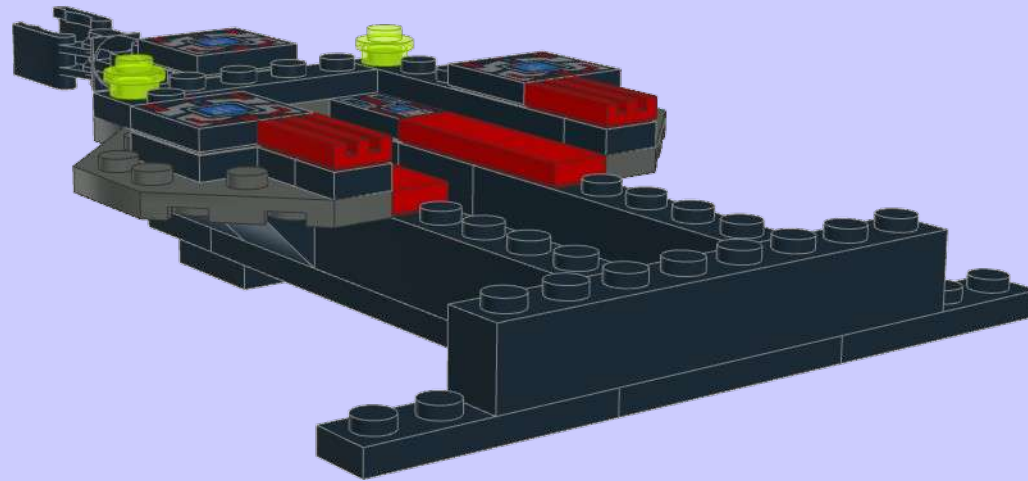
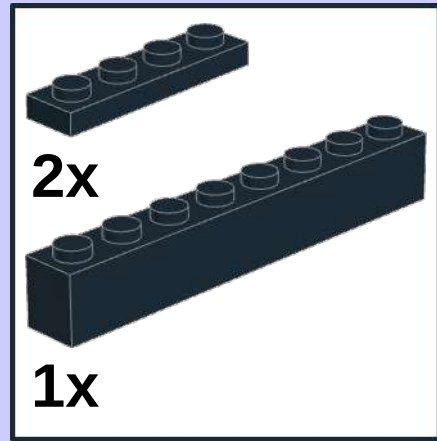
2

2x

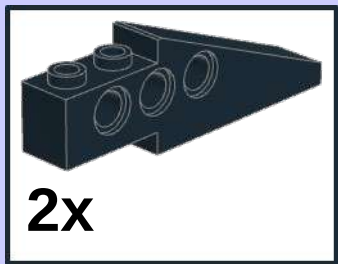
9



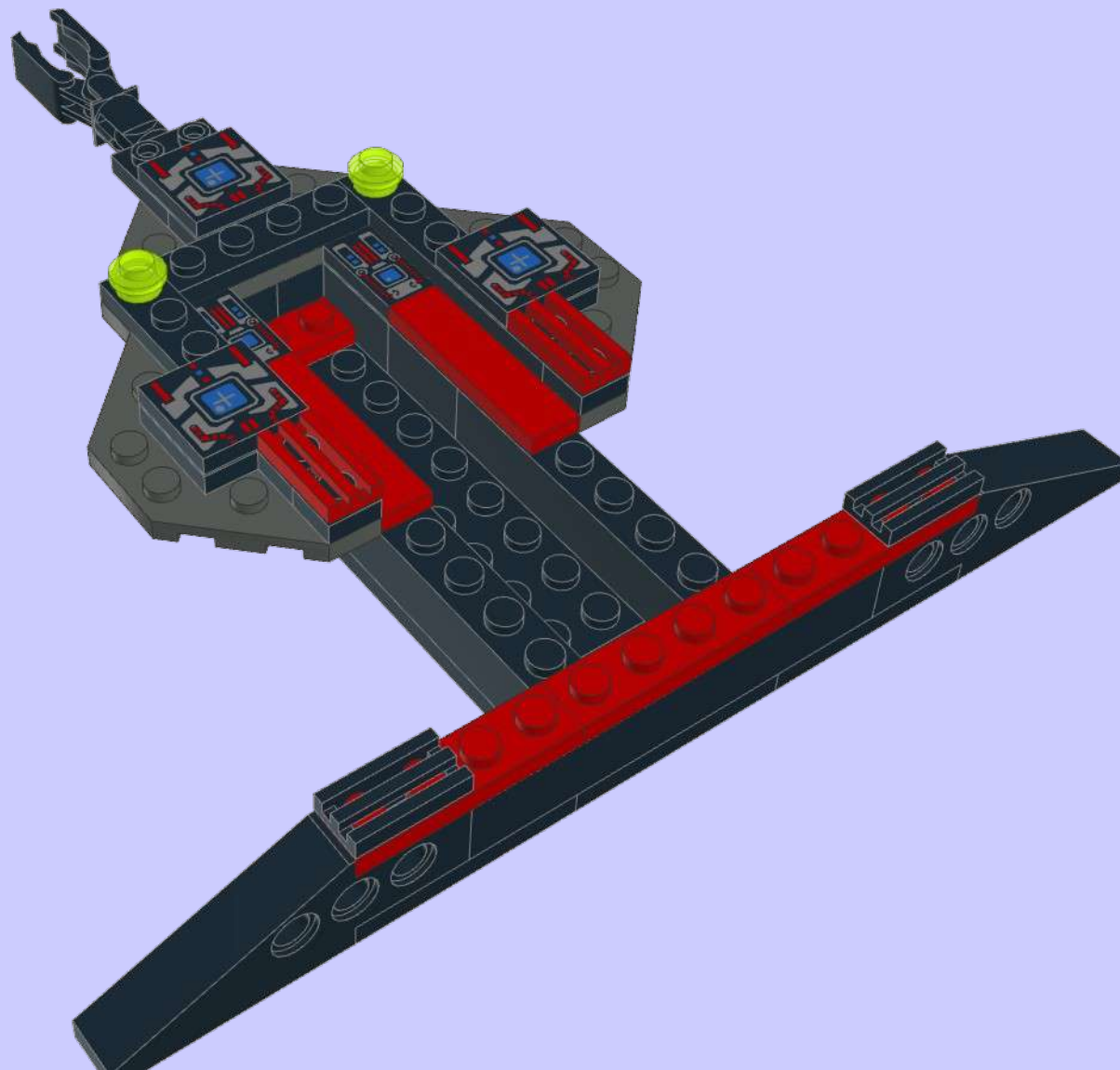
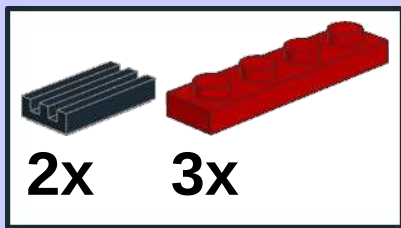
10



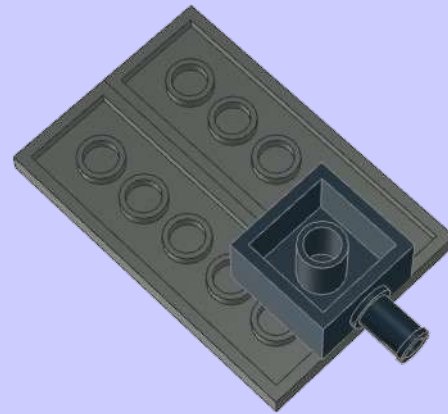
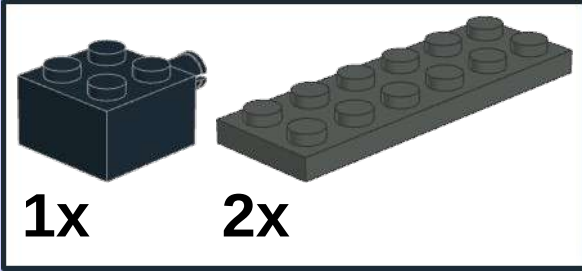
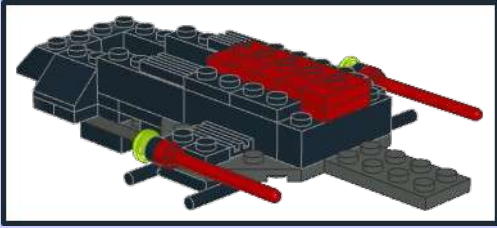
11



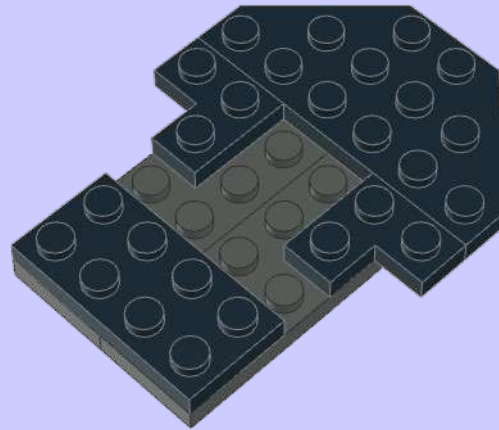
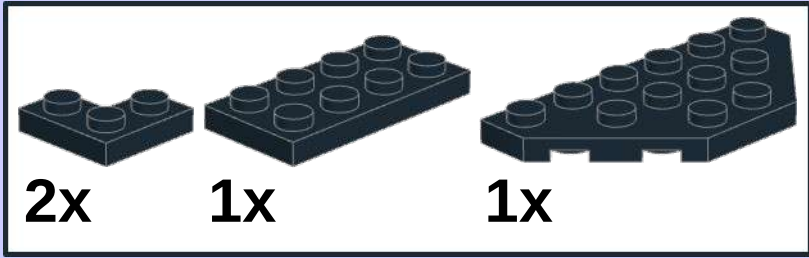
12



1



2



3



2x



1x



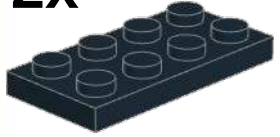
1x



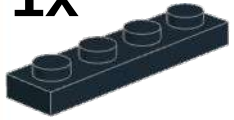
4



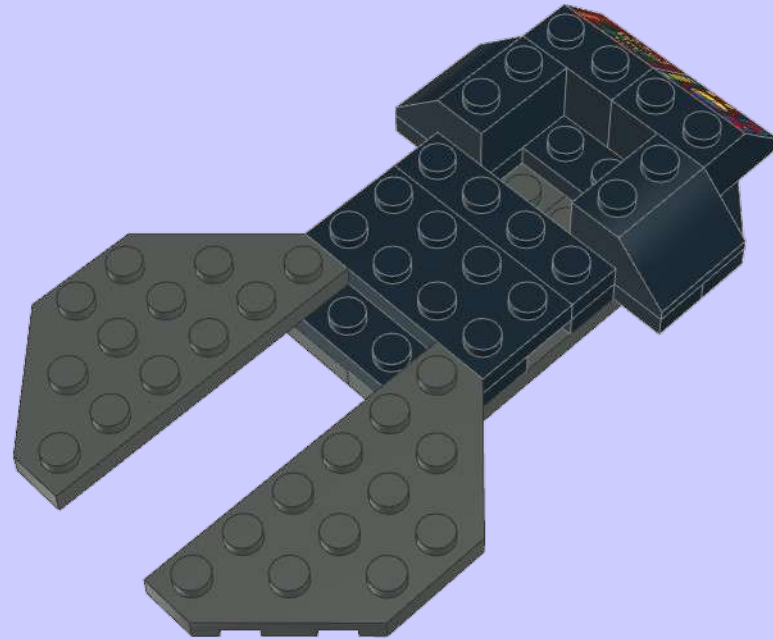
2x



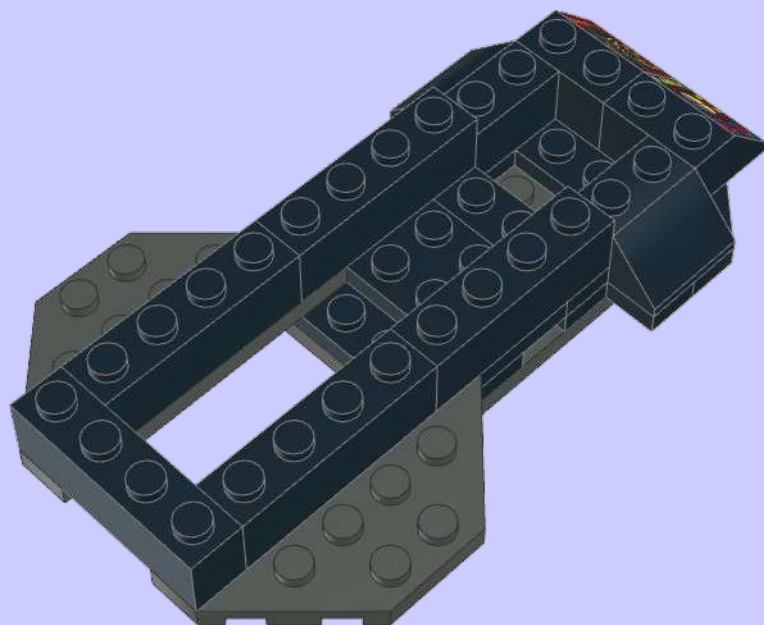
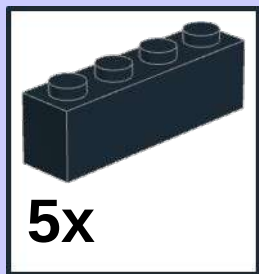
1x



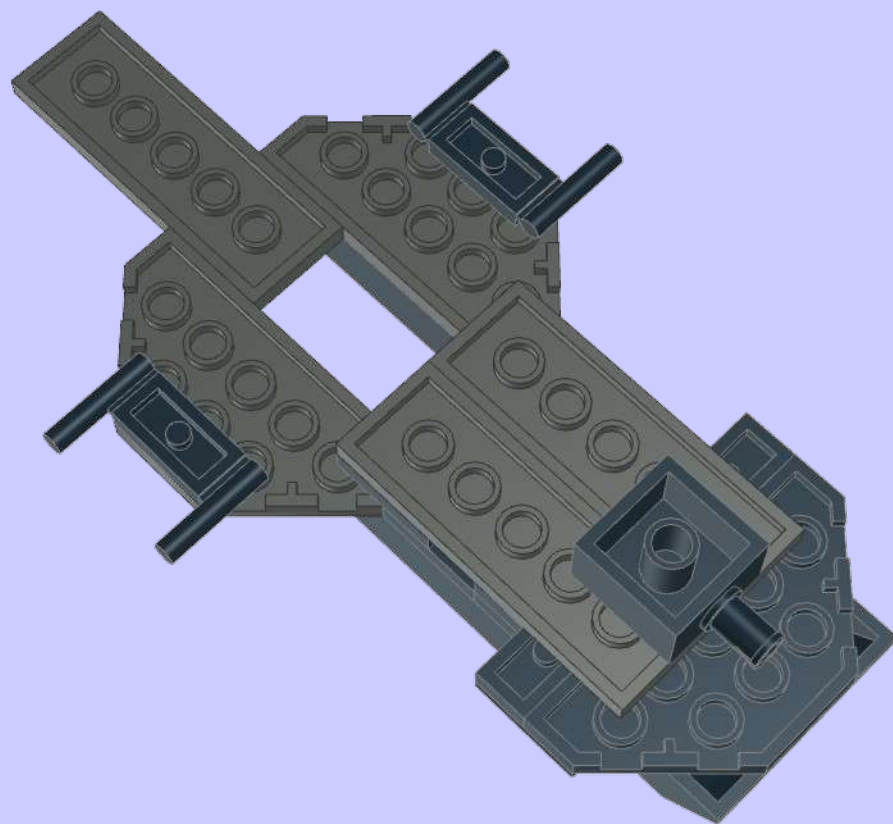
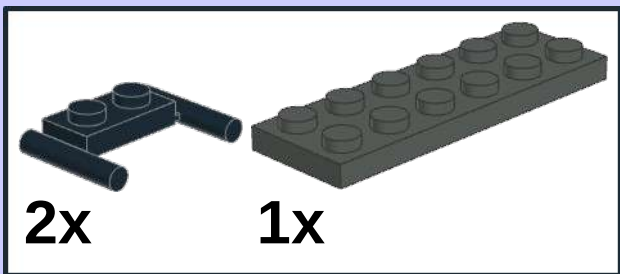
1x






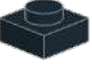
5

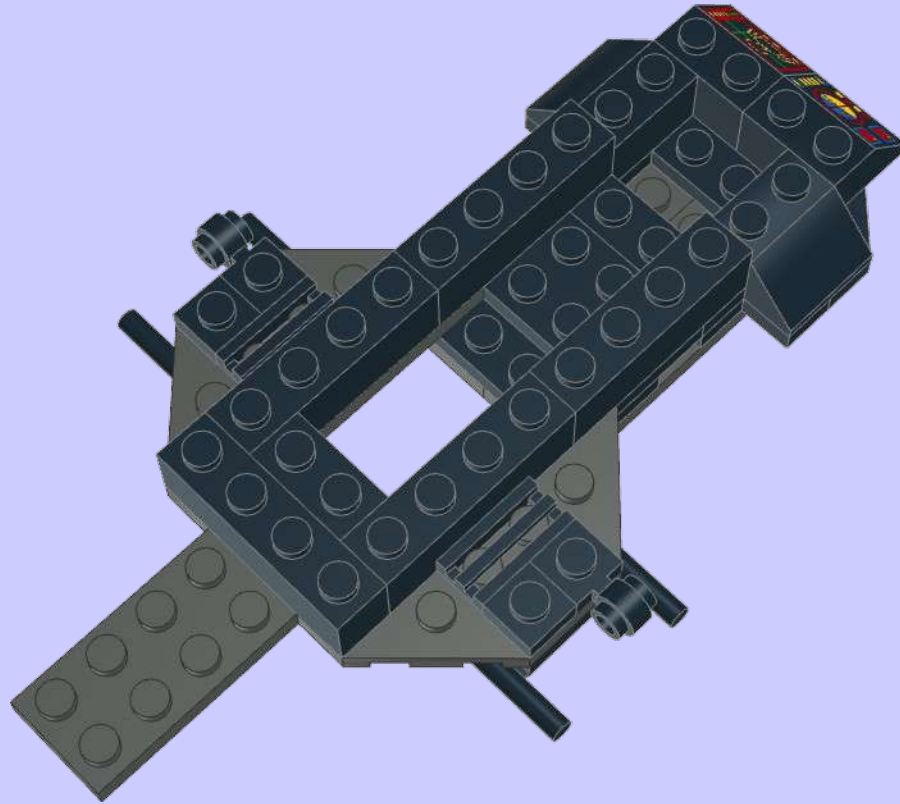


6

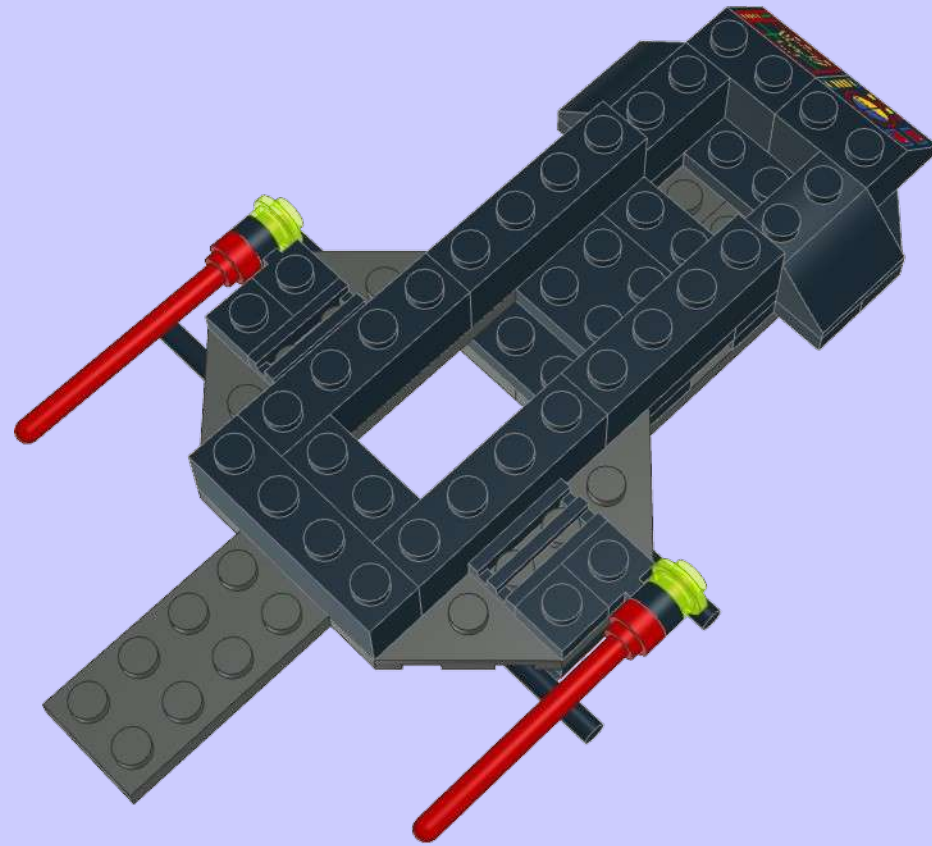
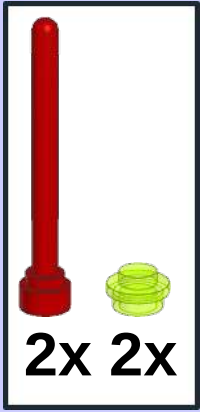


7

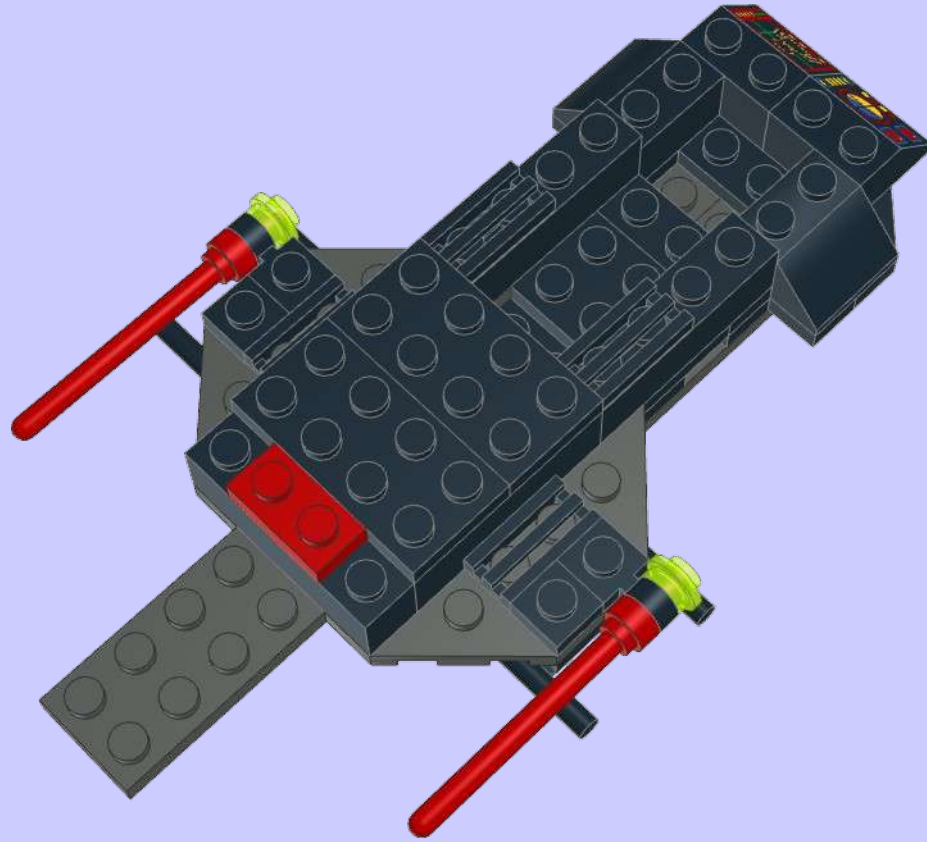
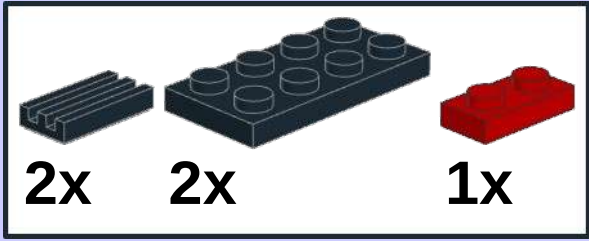
	
1x	2x
	
2x	2x



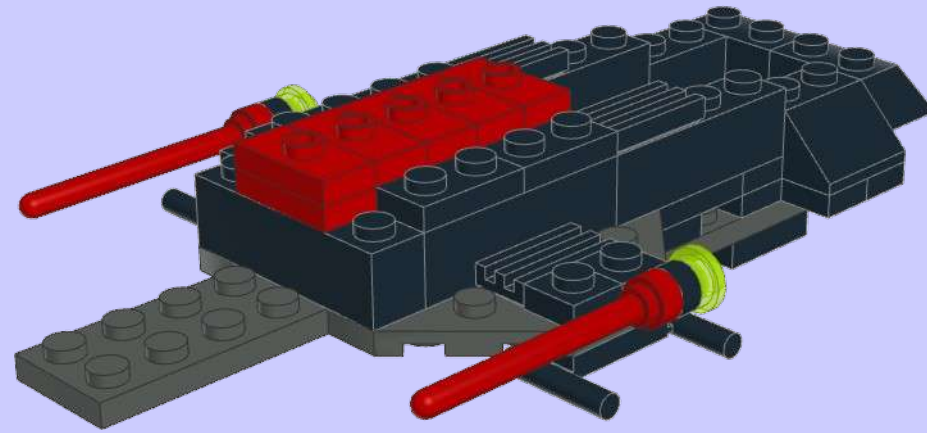
8



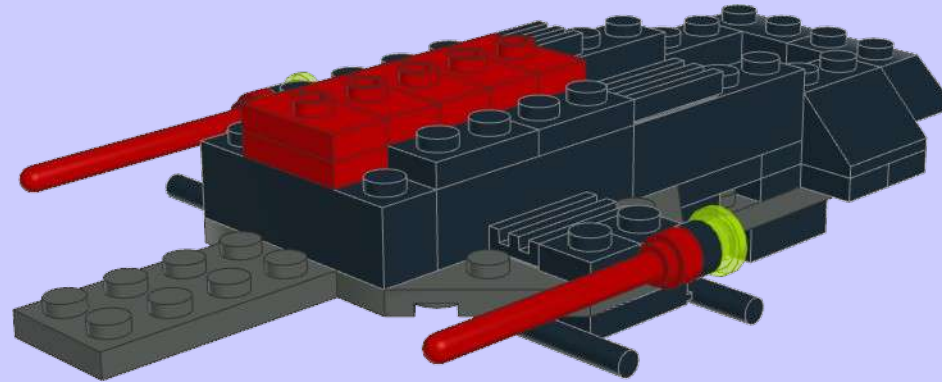
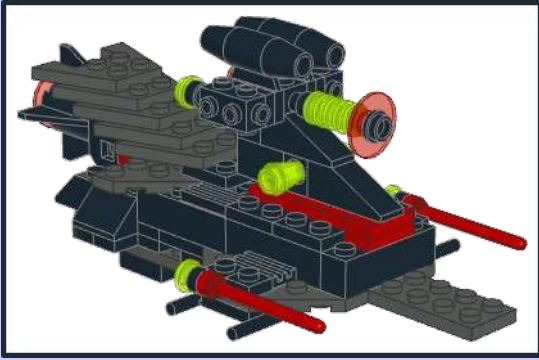
9



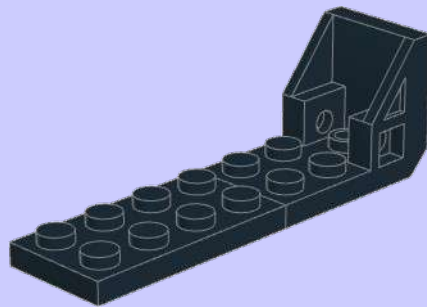
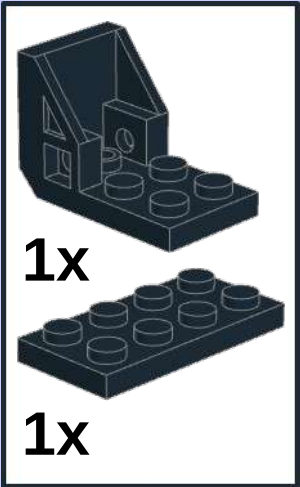
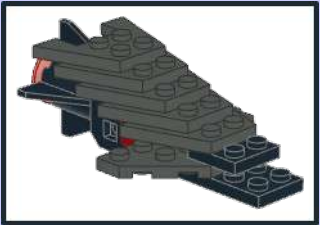
10



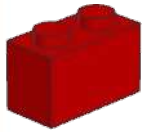
1



1



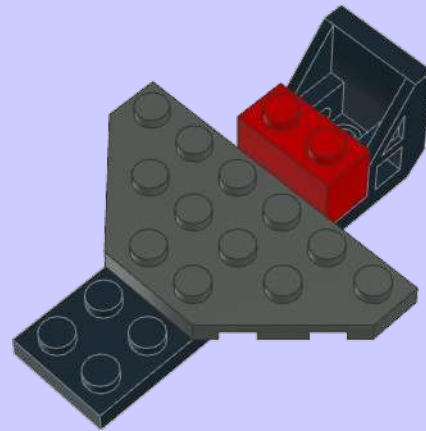
2



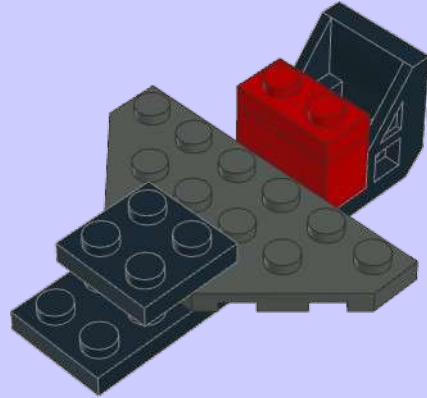
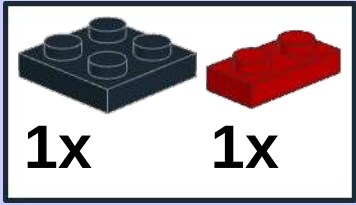
1x



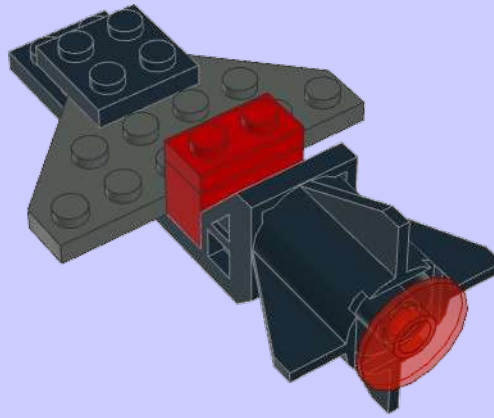
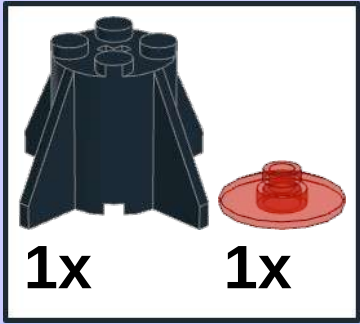
1x



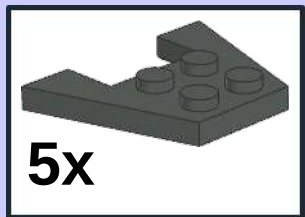
3



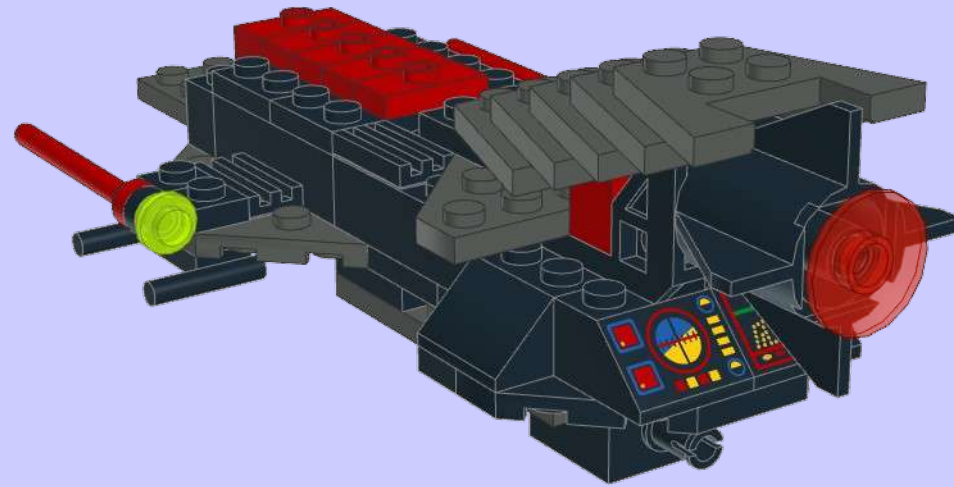
4



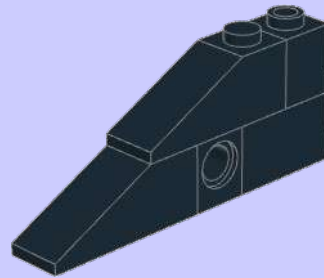
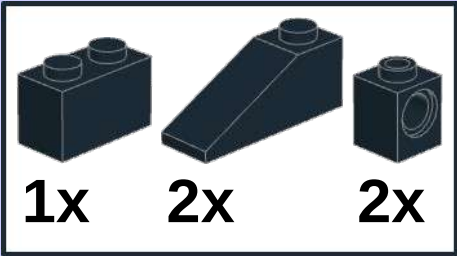
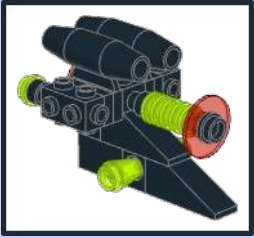
5



2



1



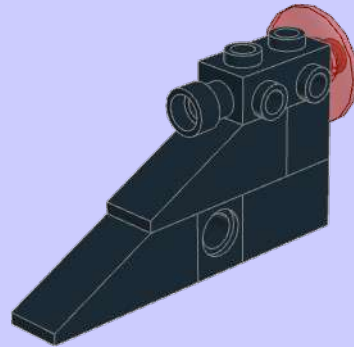
2



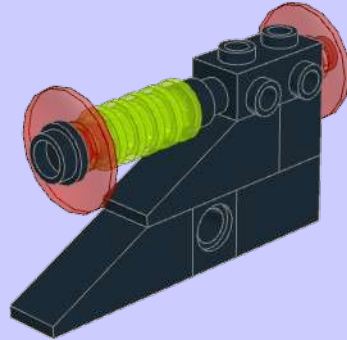
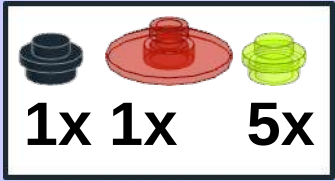
1x



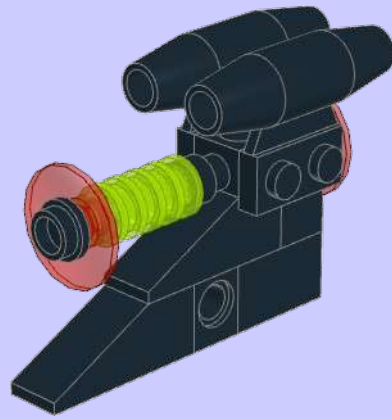
1x



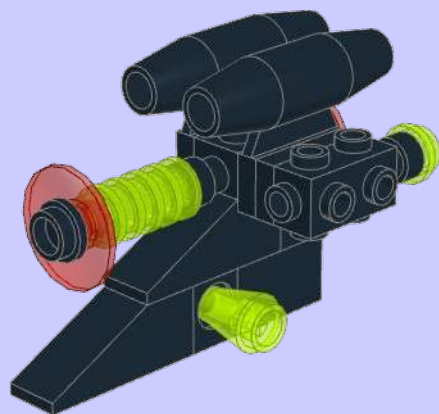
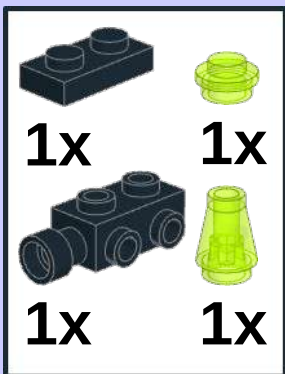
3



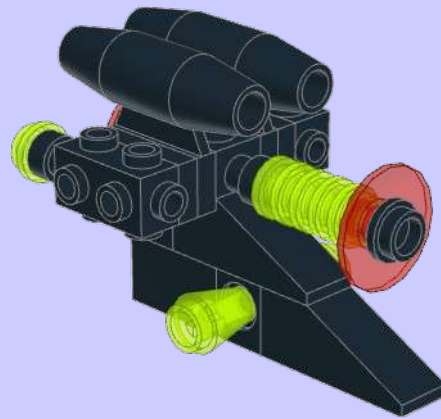
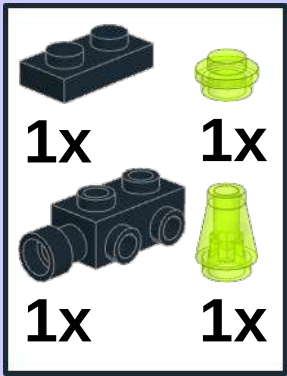
4



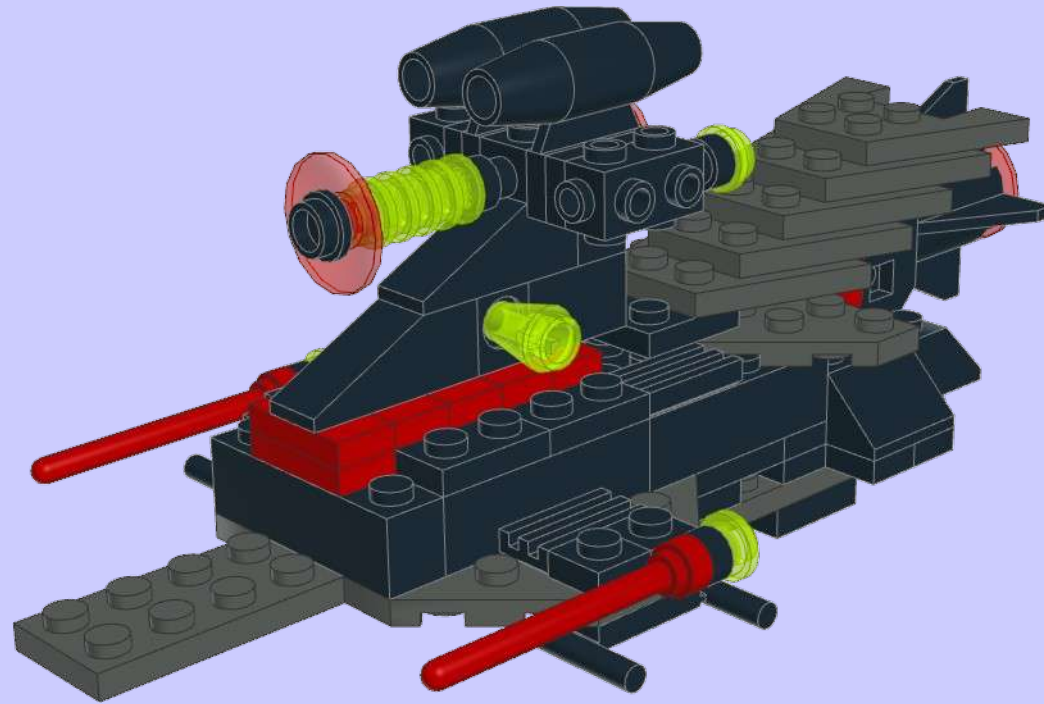
5



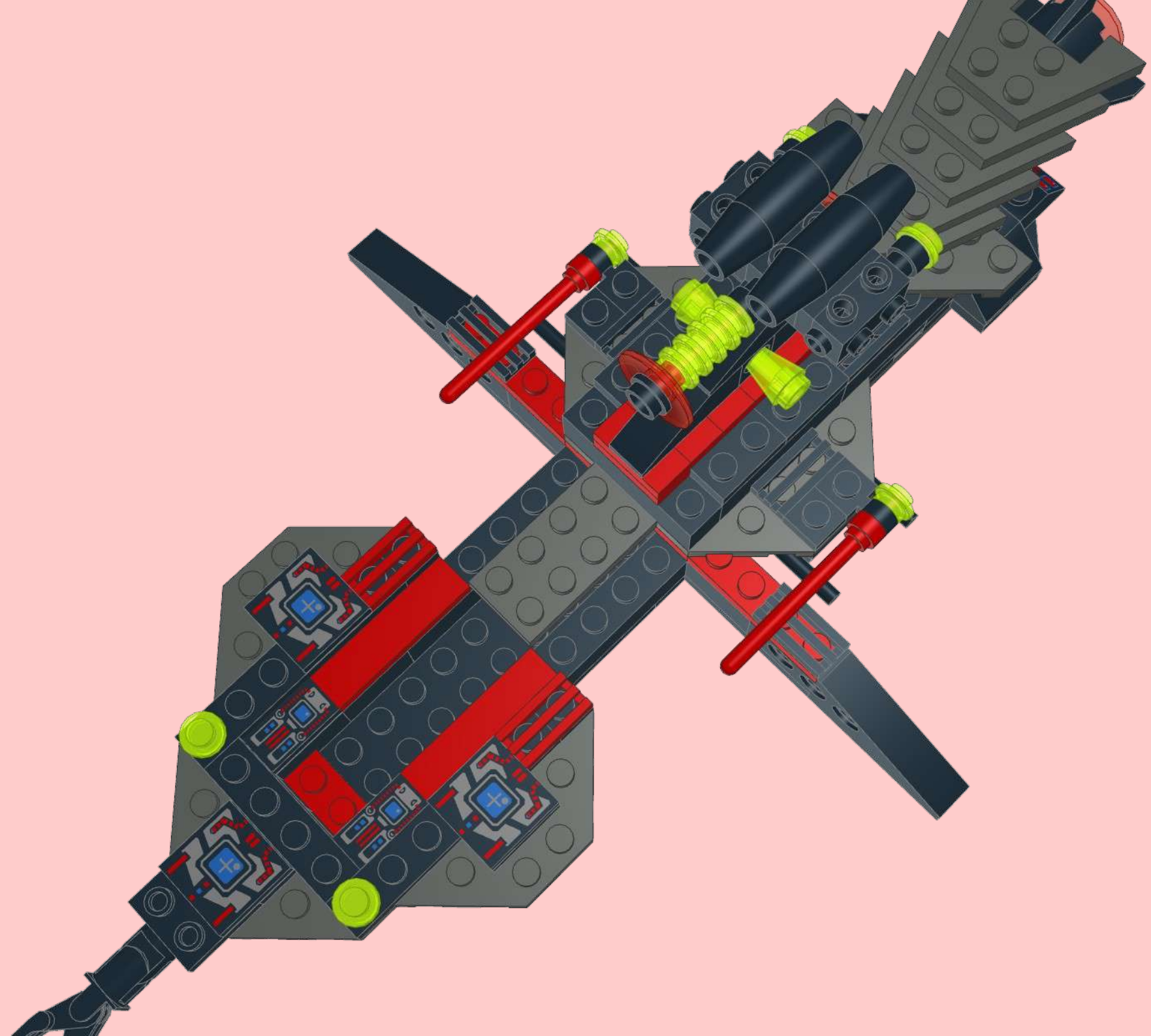
6



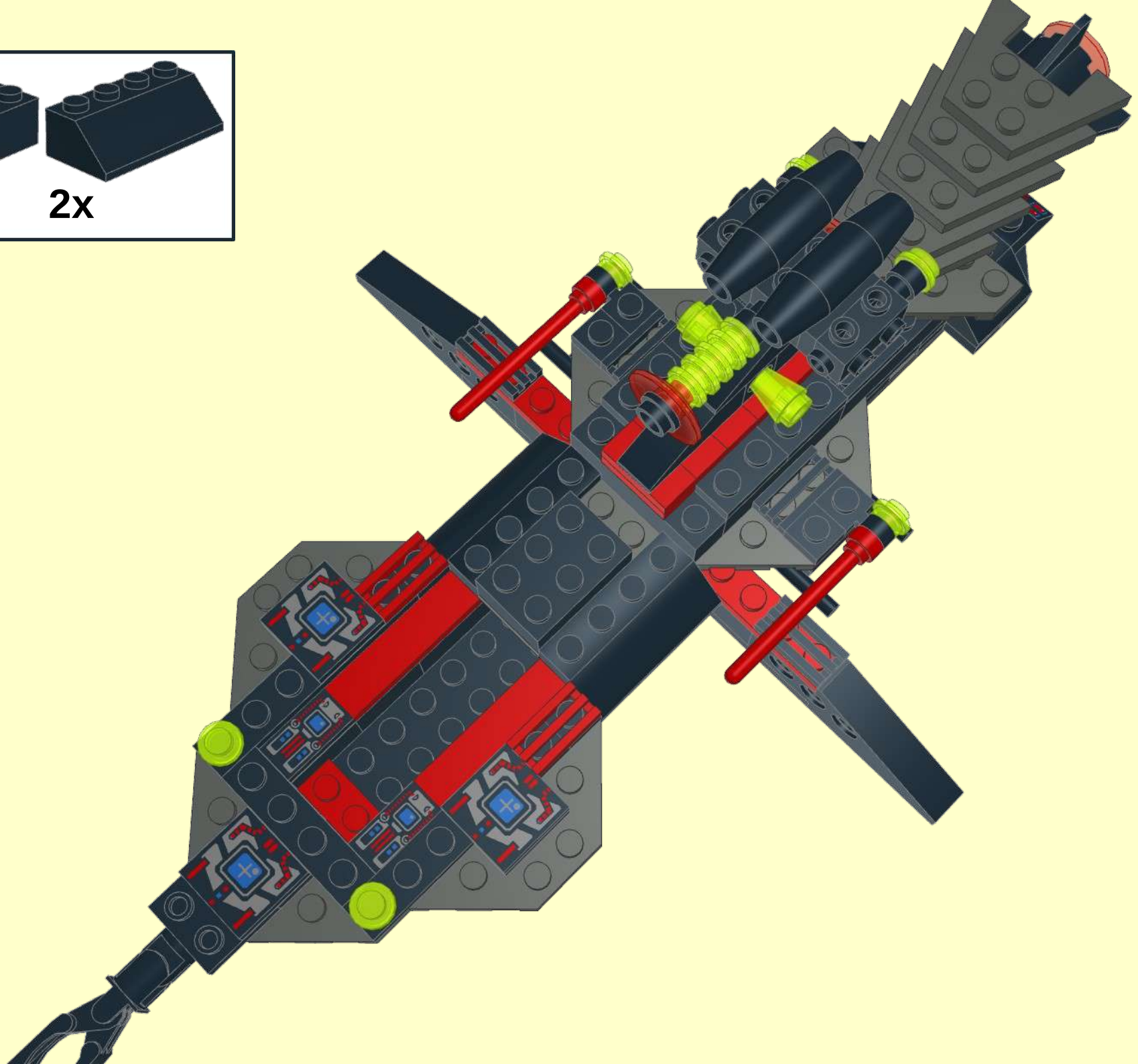
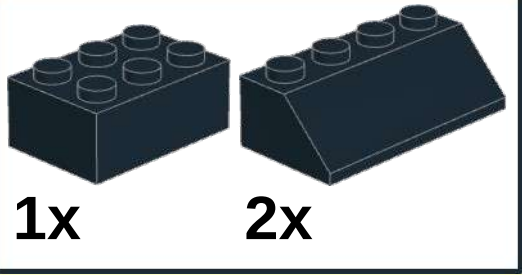
3



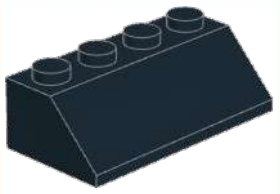
2



2



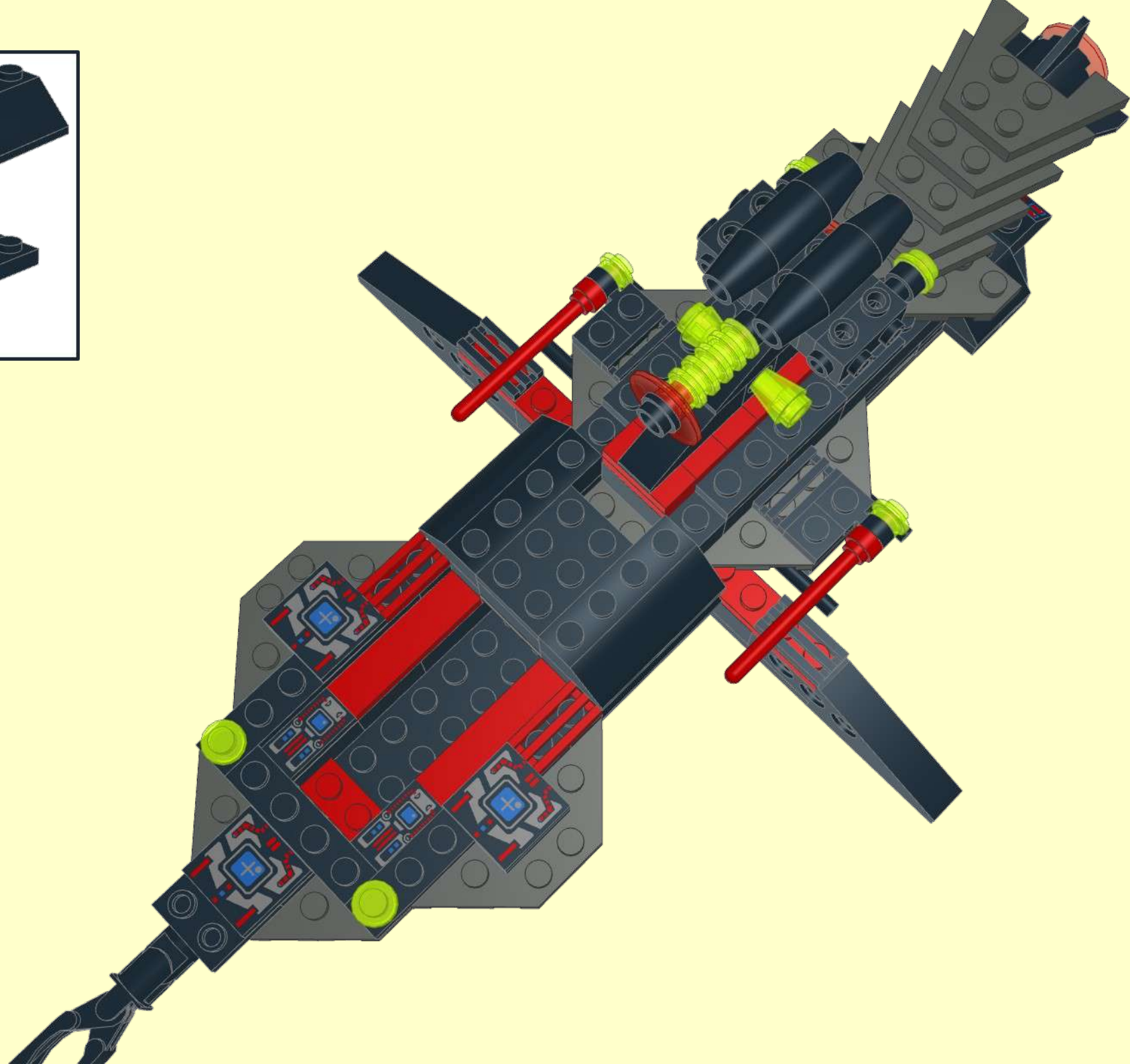
3



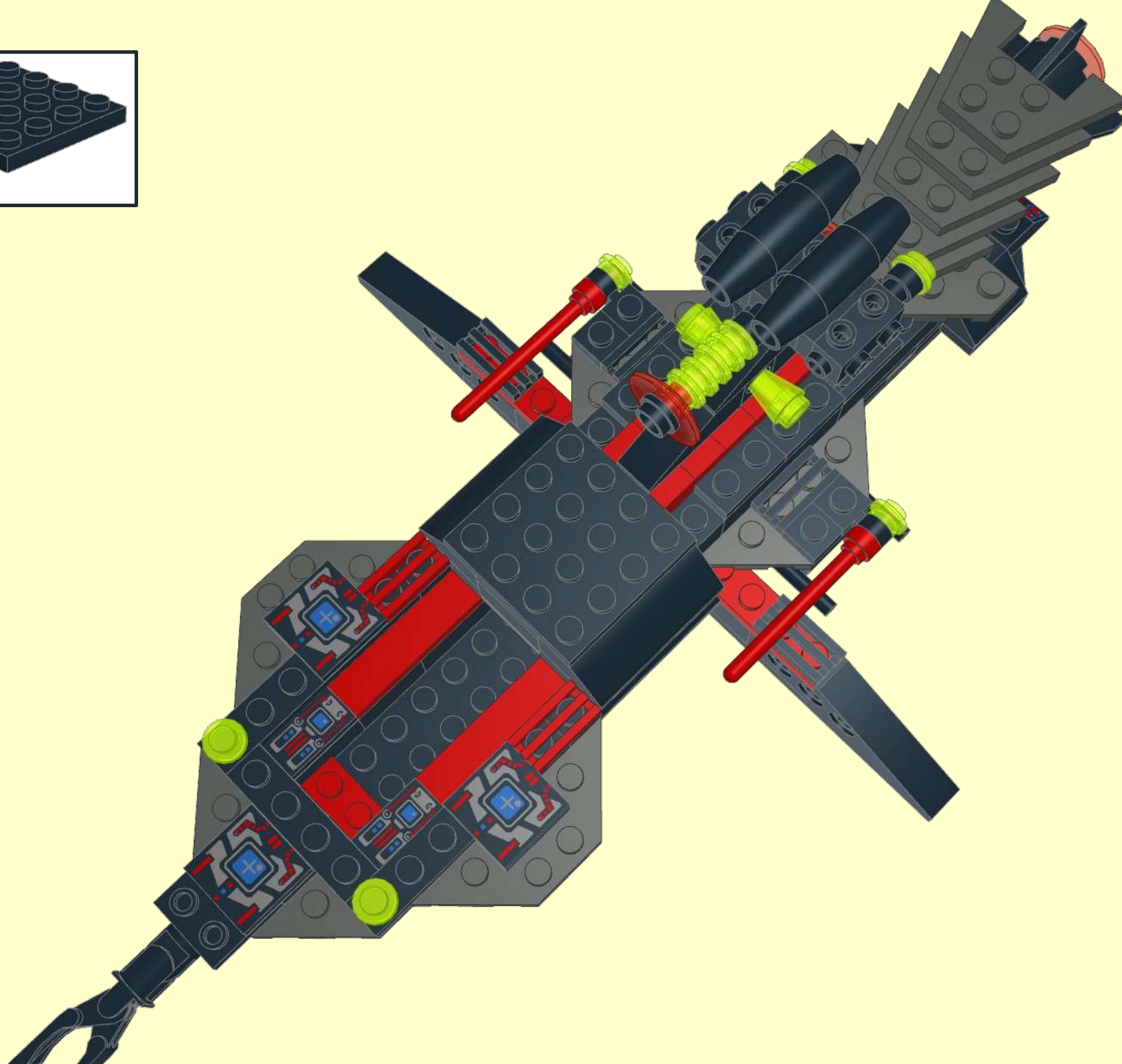
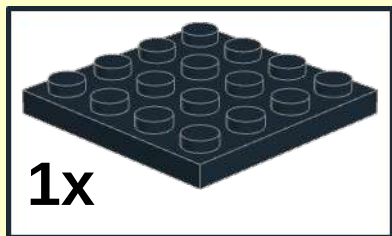
2x



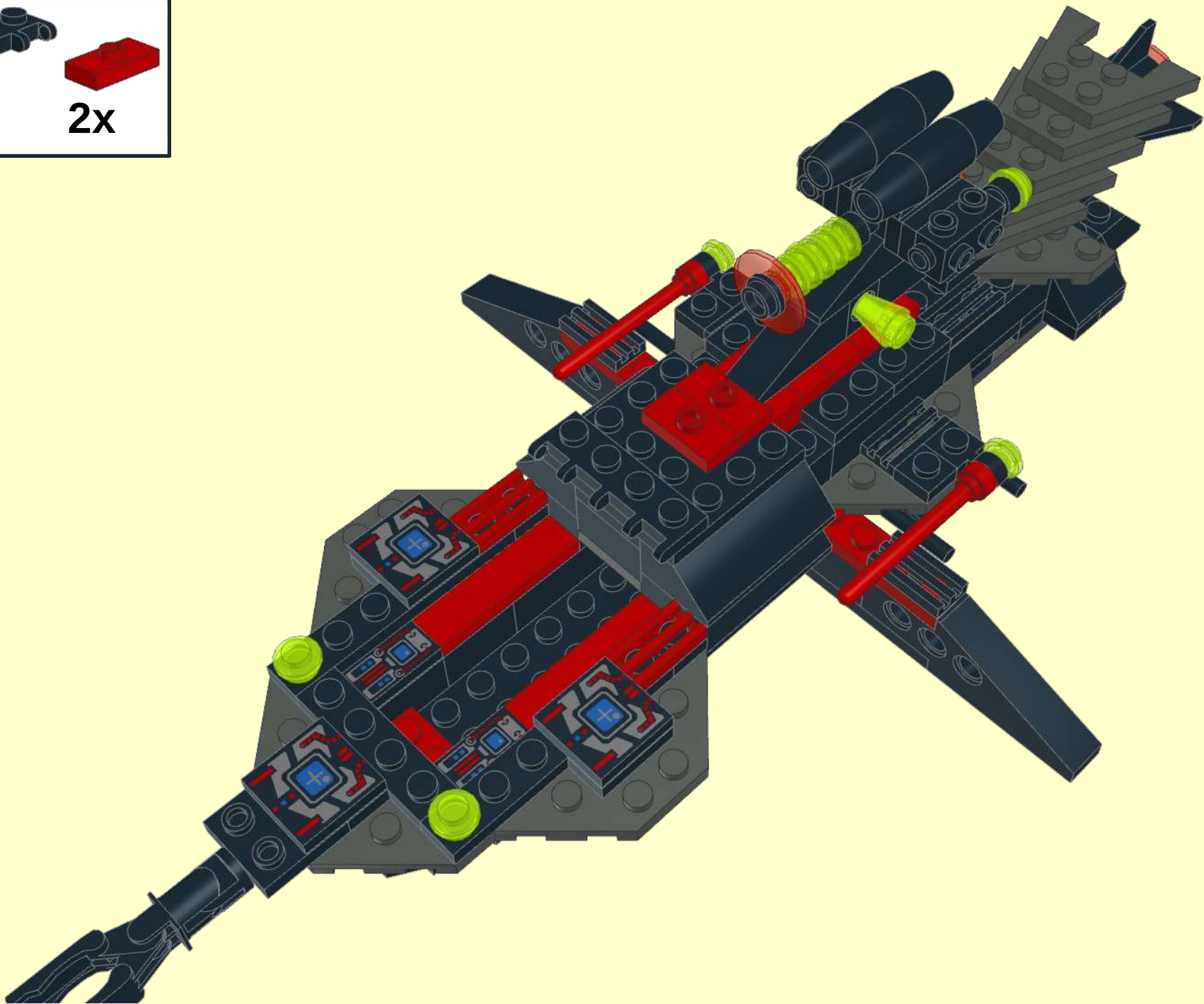
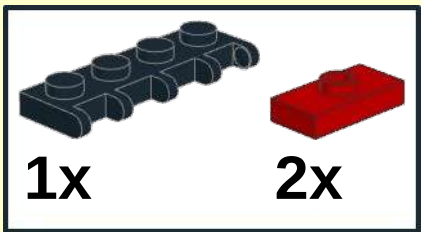
1x



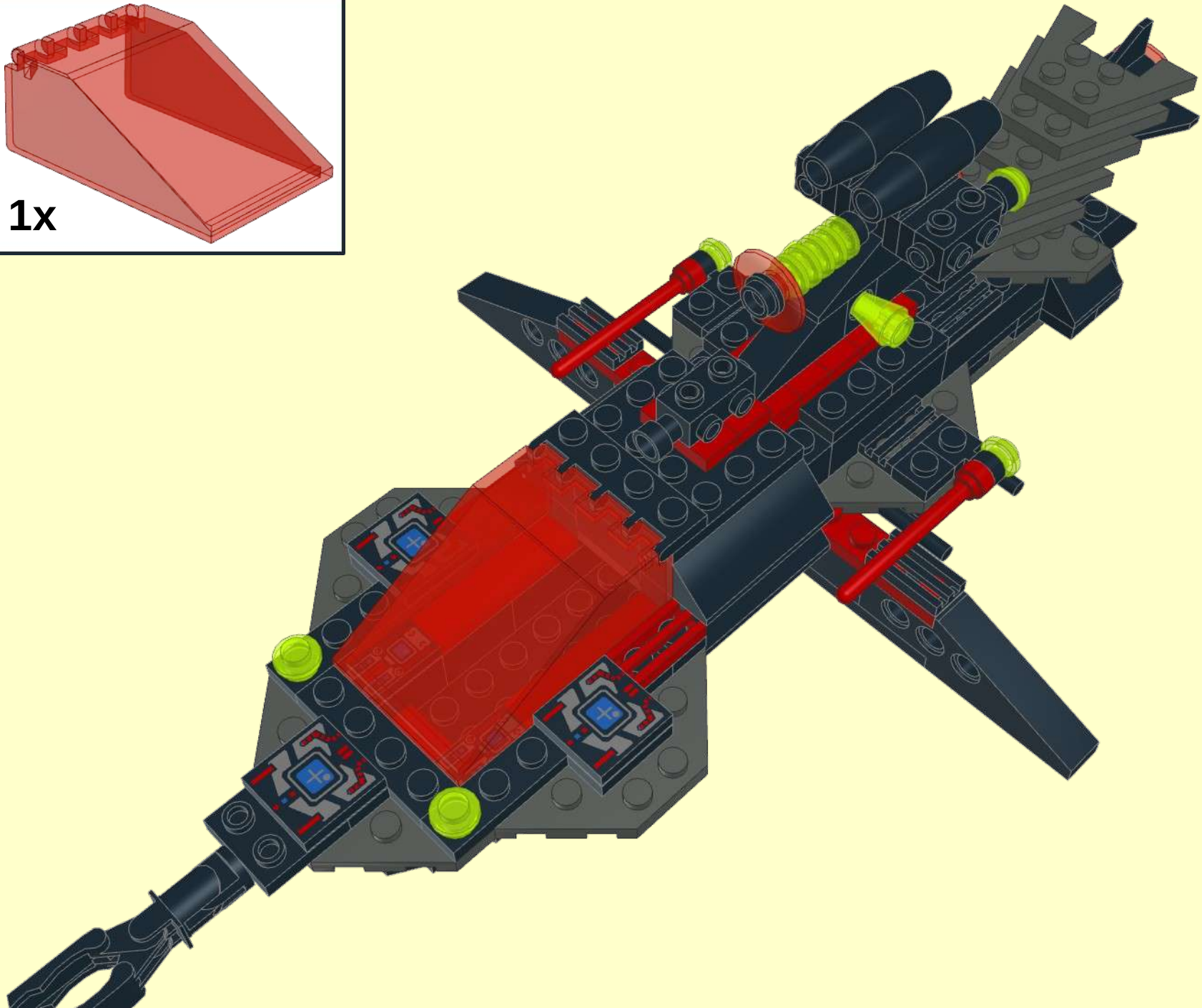
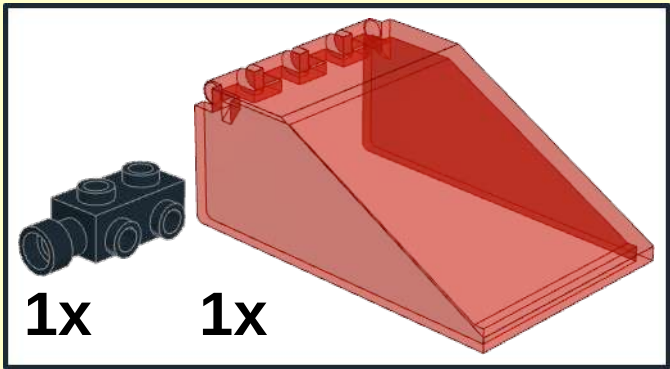
4



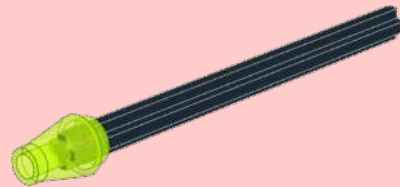
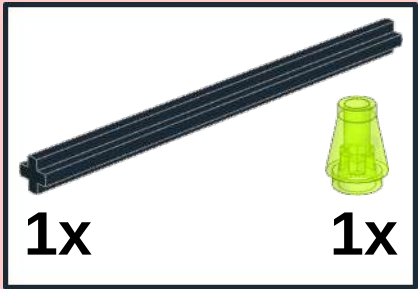
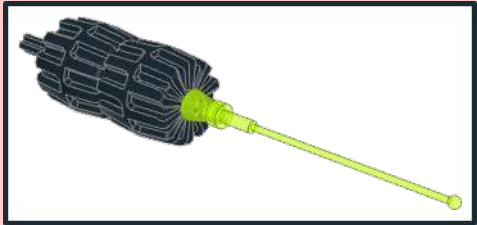
5



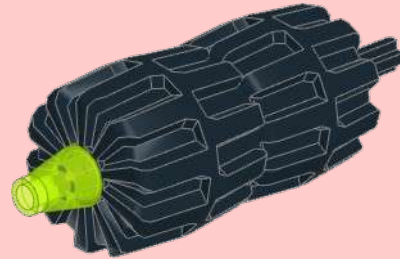
6



1



2



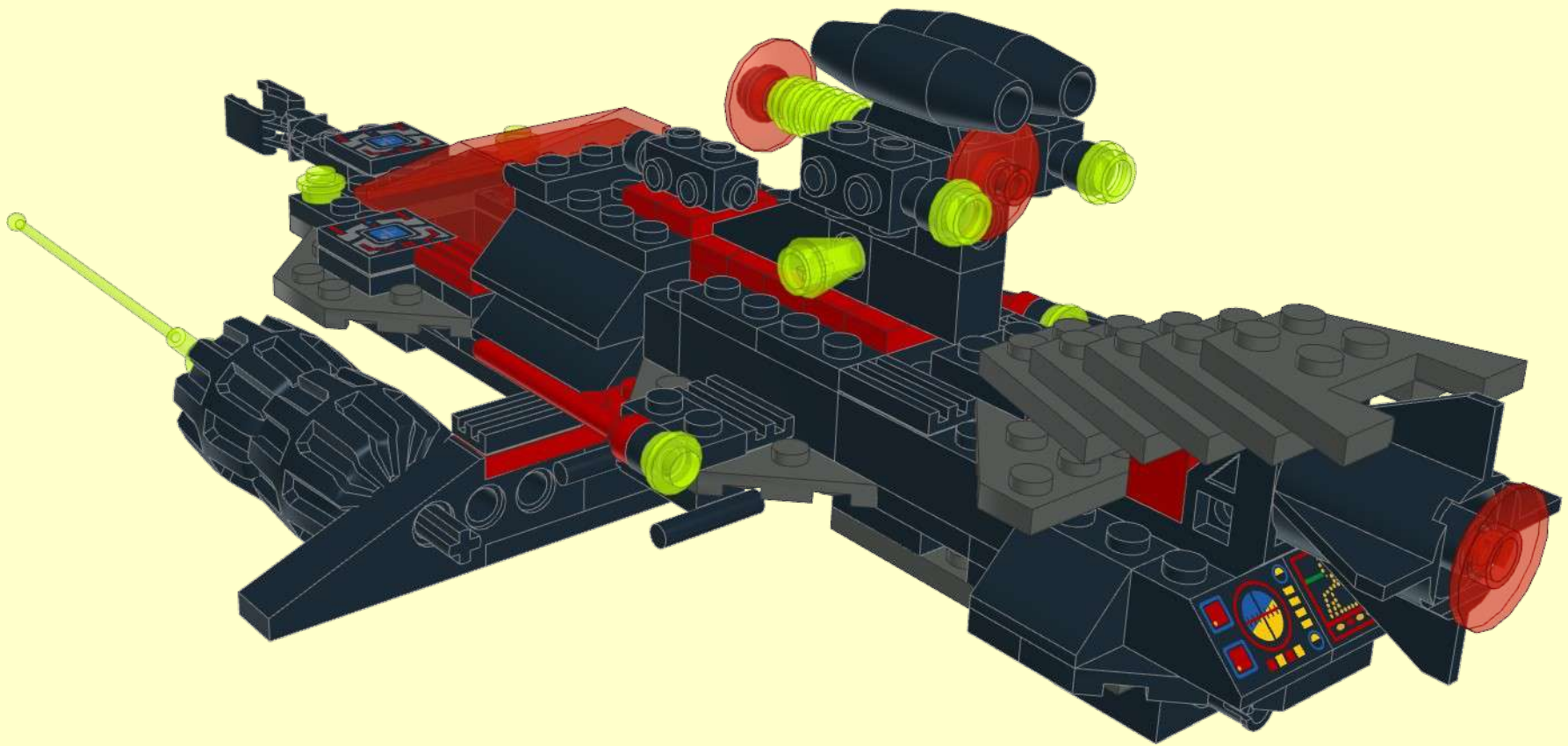
3



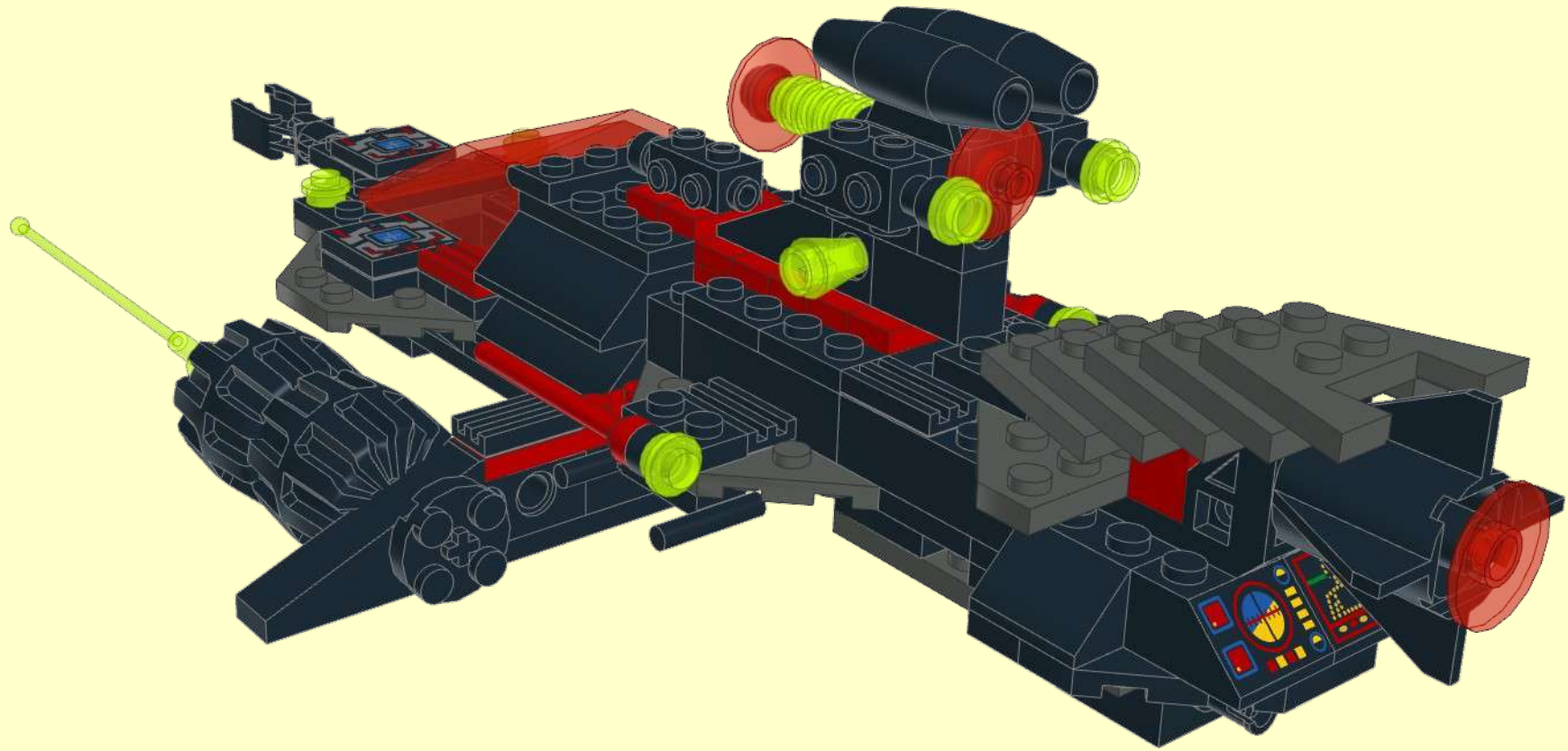
1x



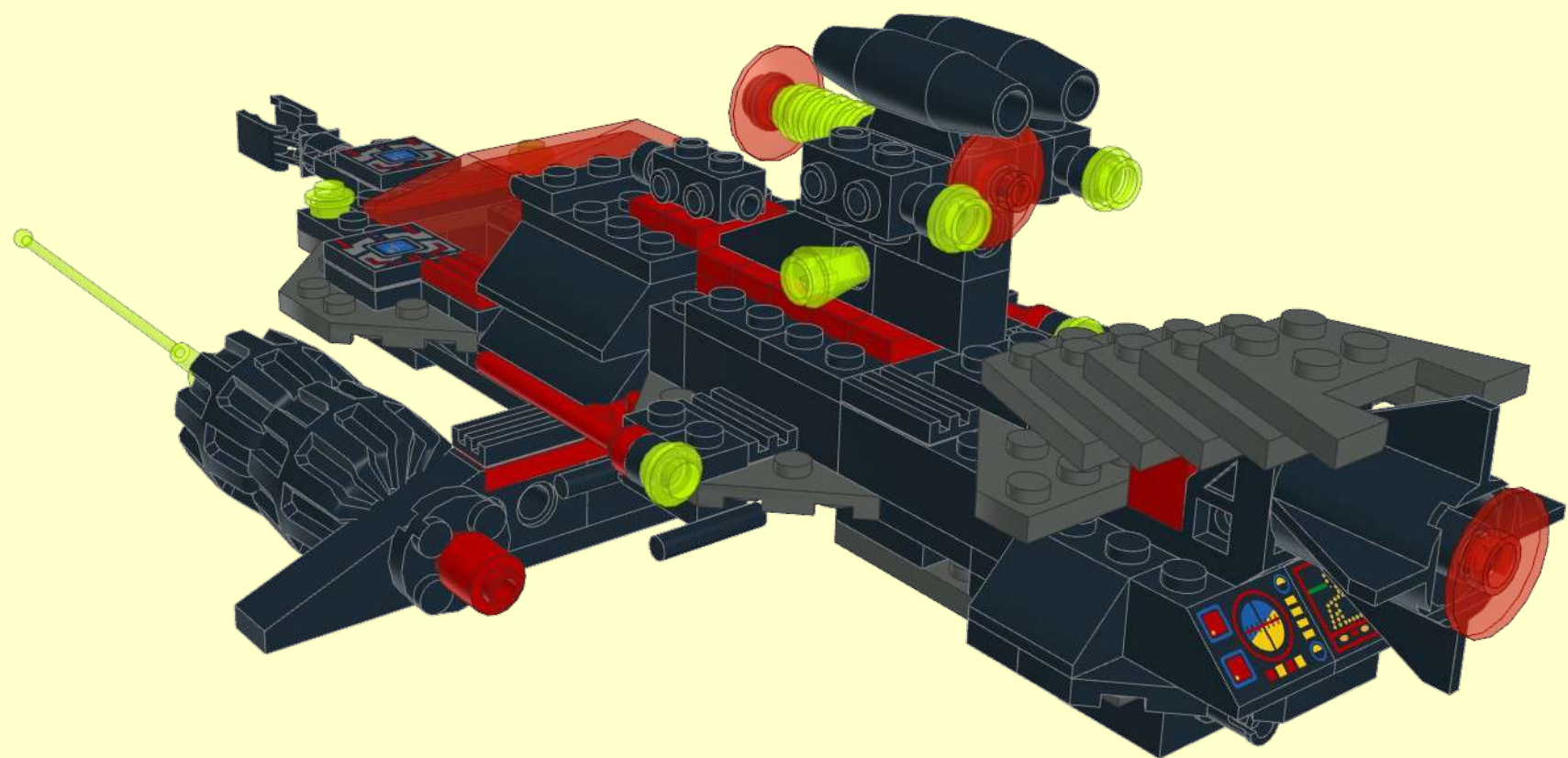
7



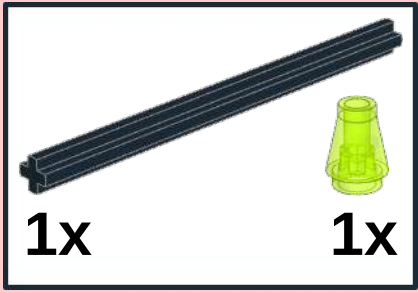
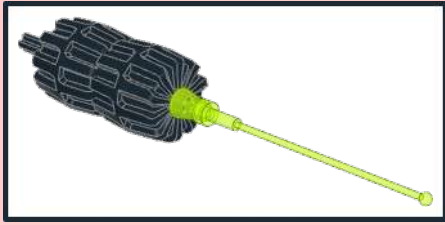
8



9  1x

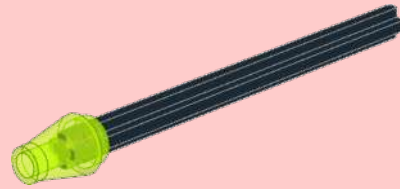


1

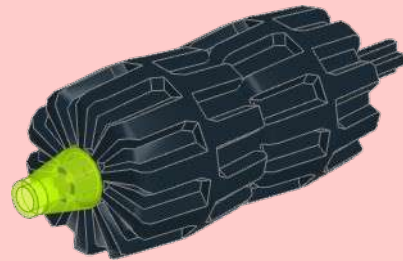


1x

1x



2



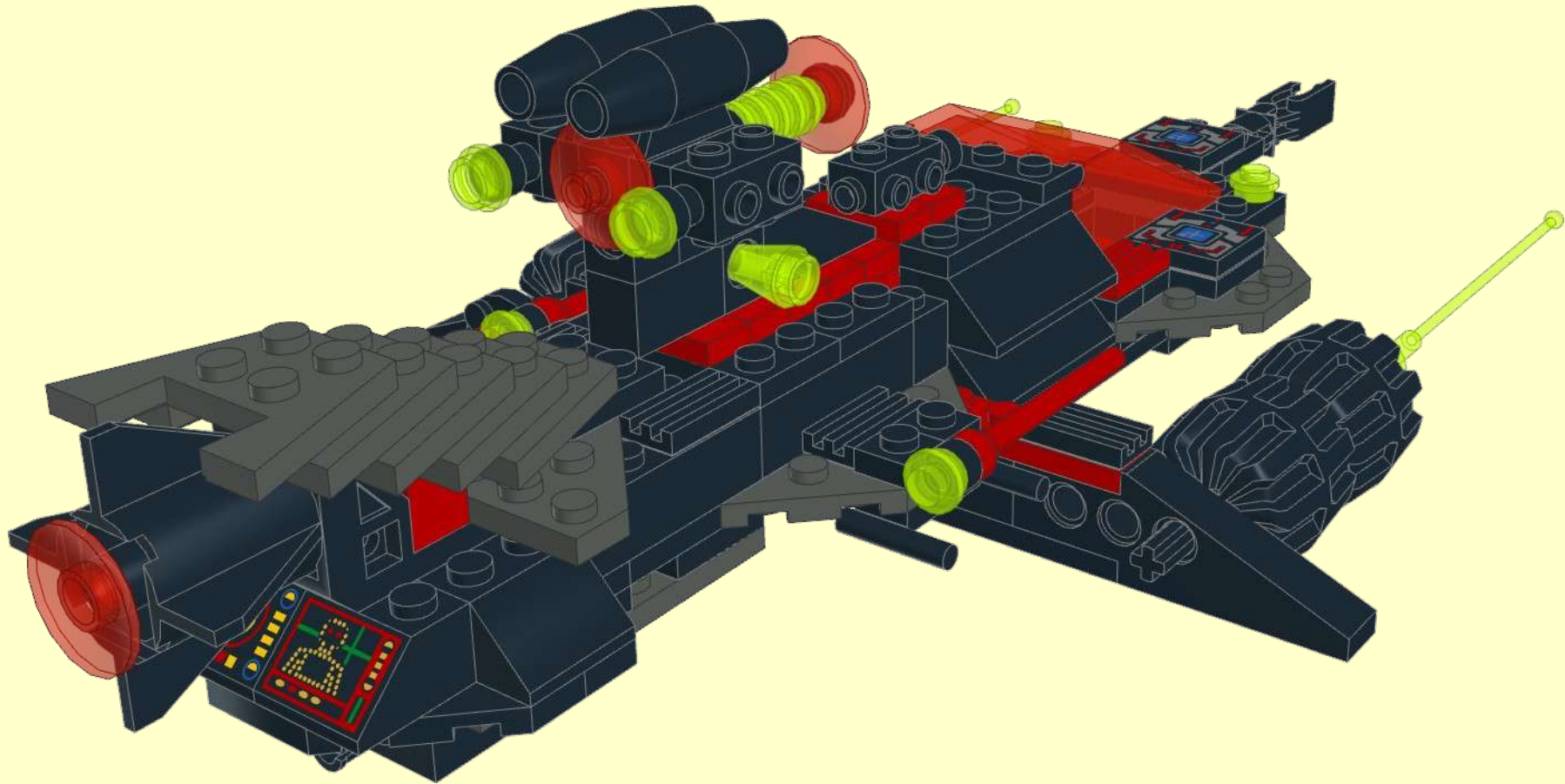
3



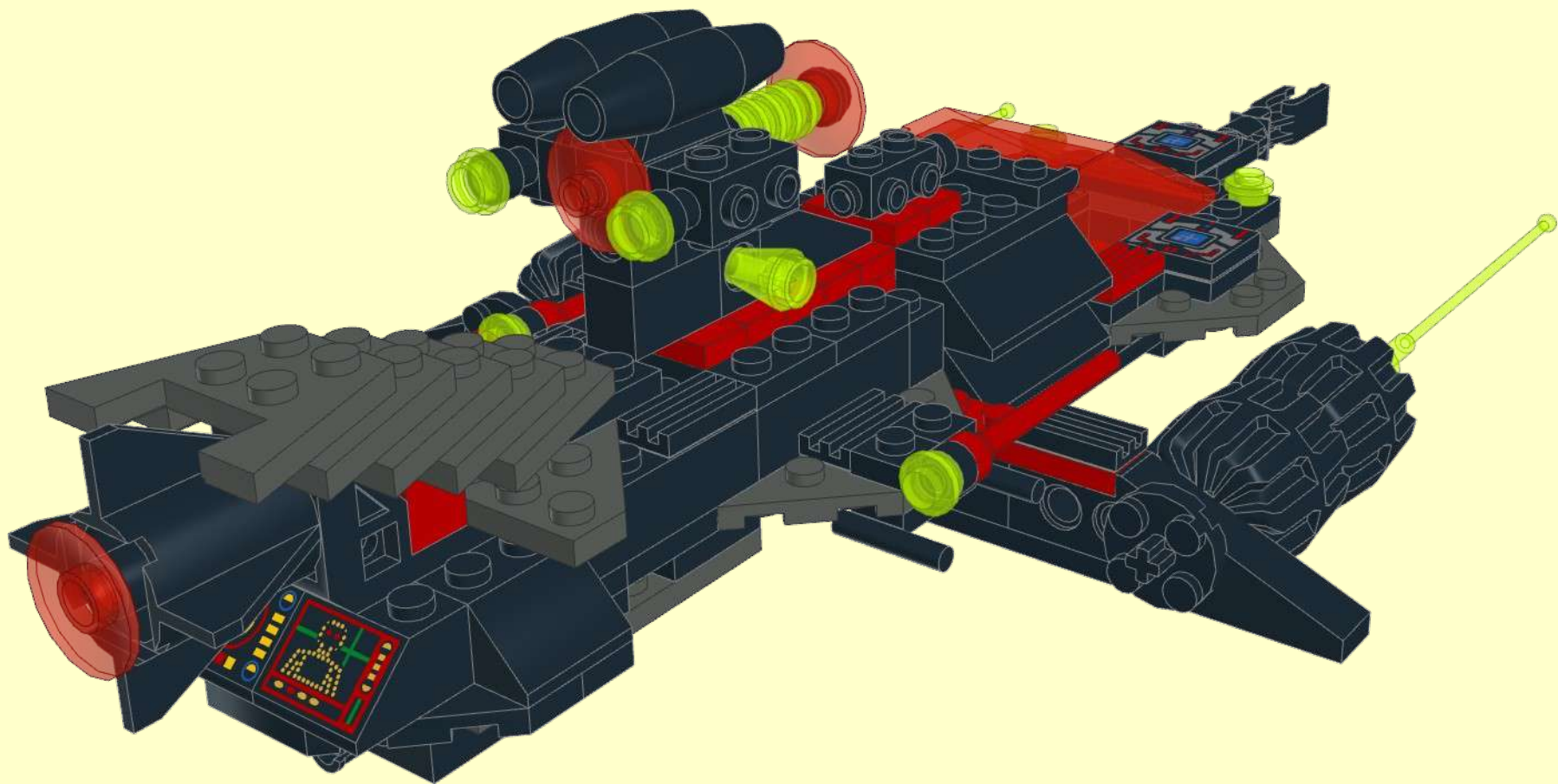
1x



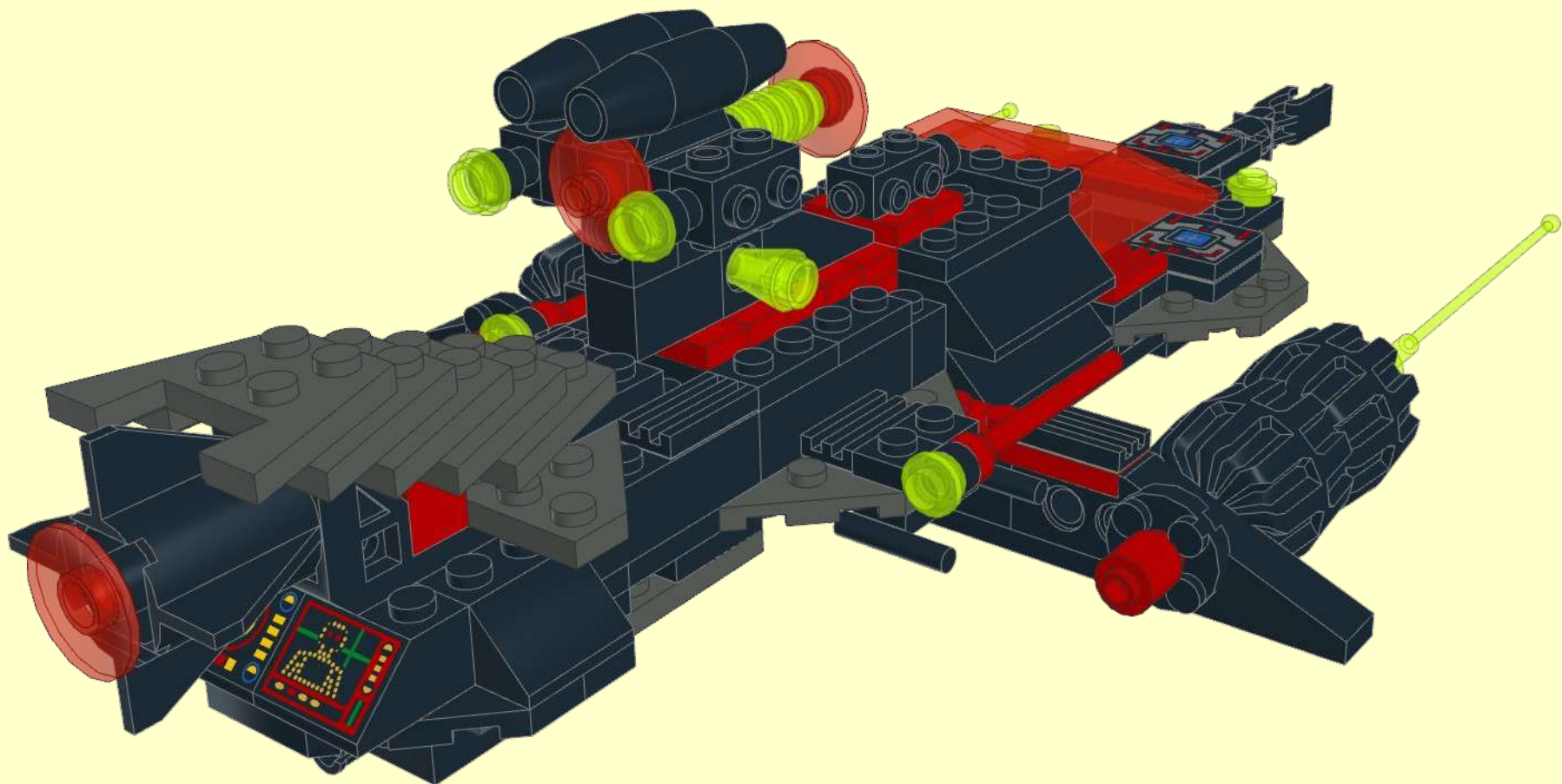
10



11



12



3

