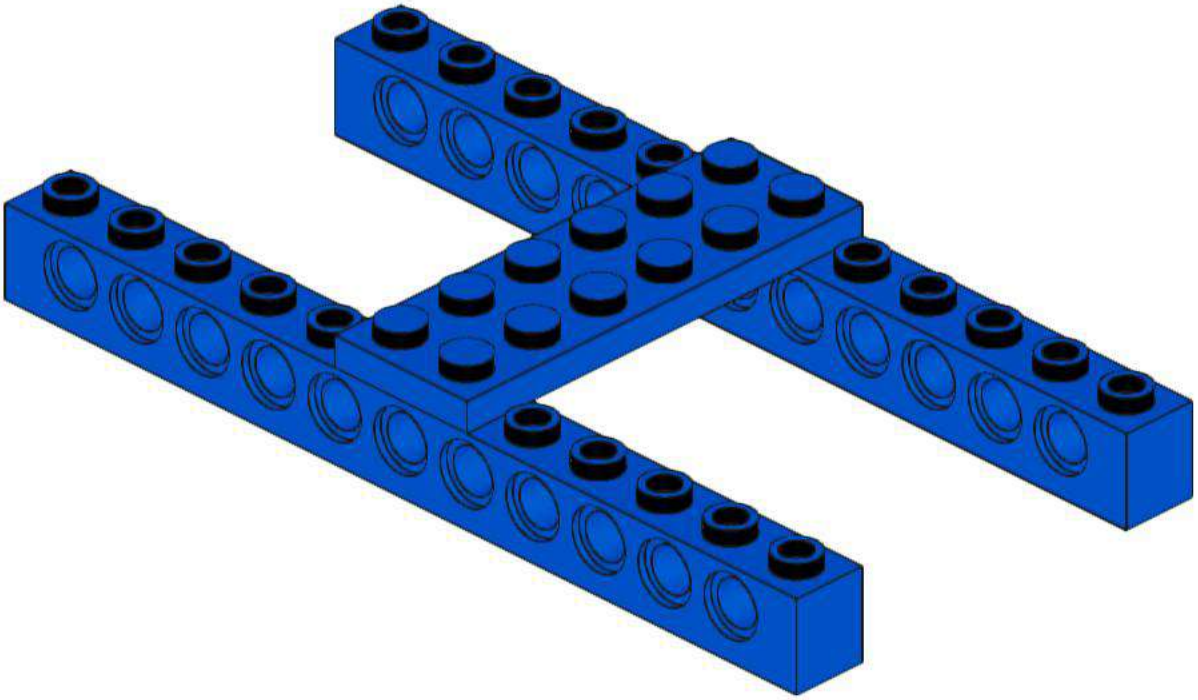
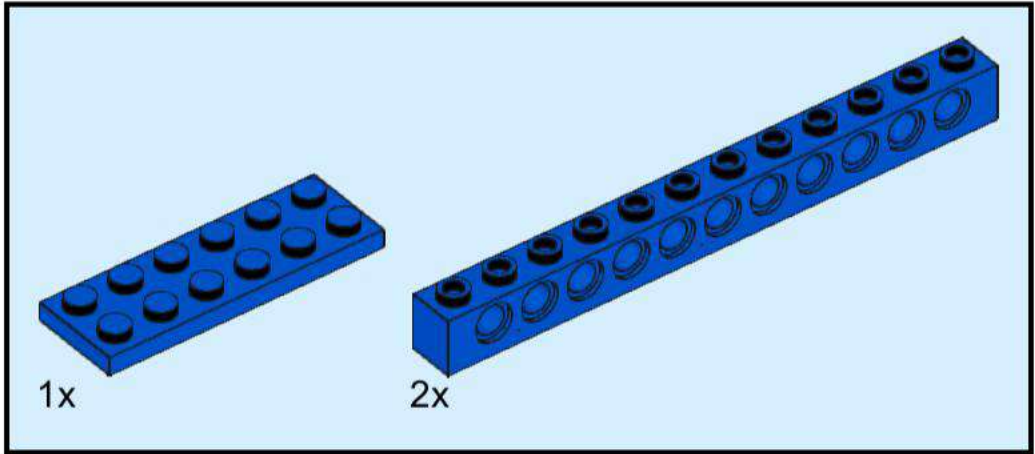
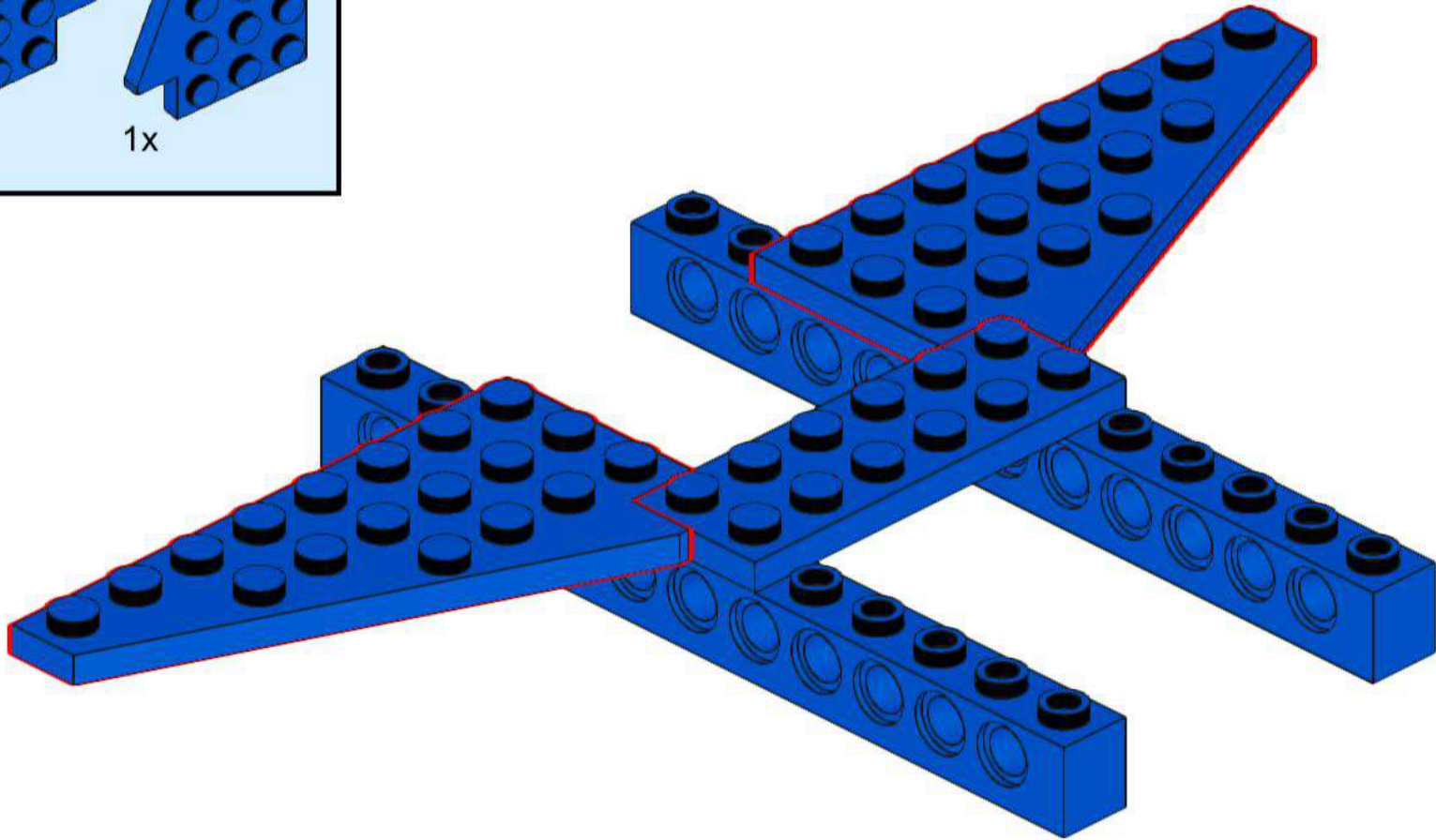
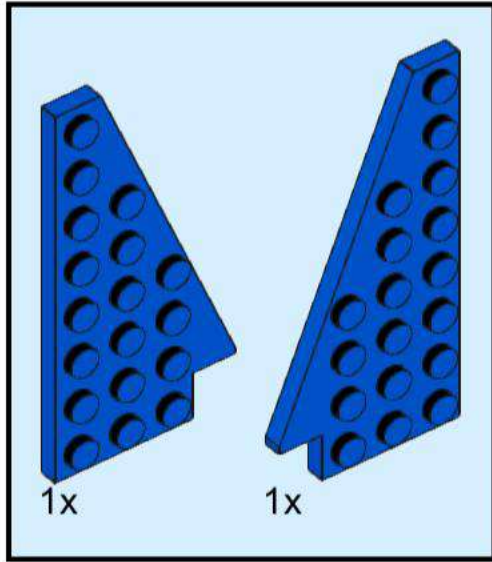


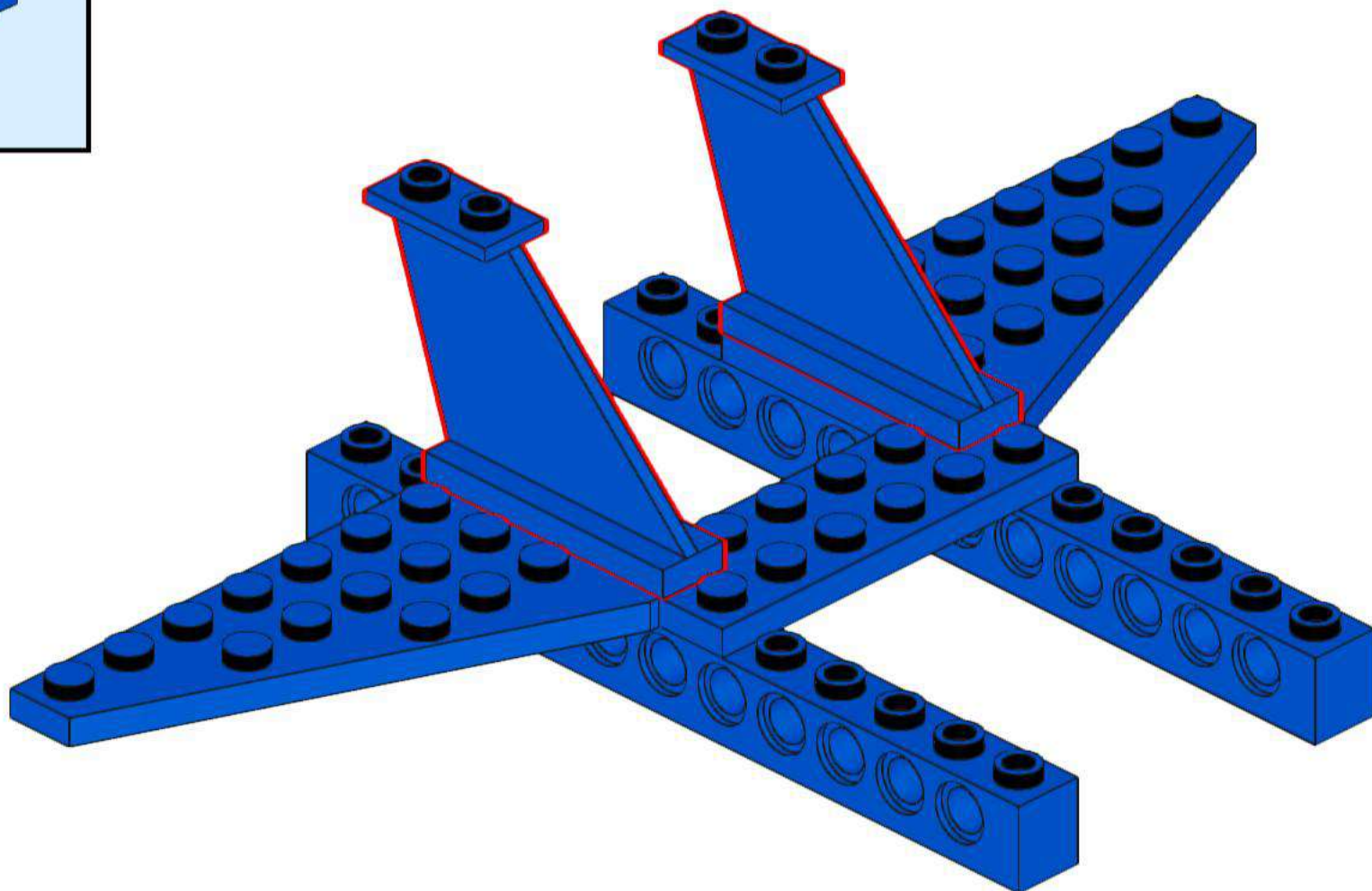
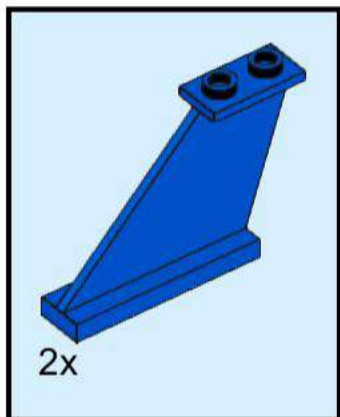
1



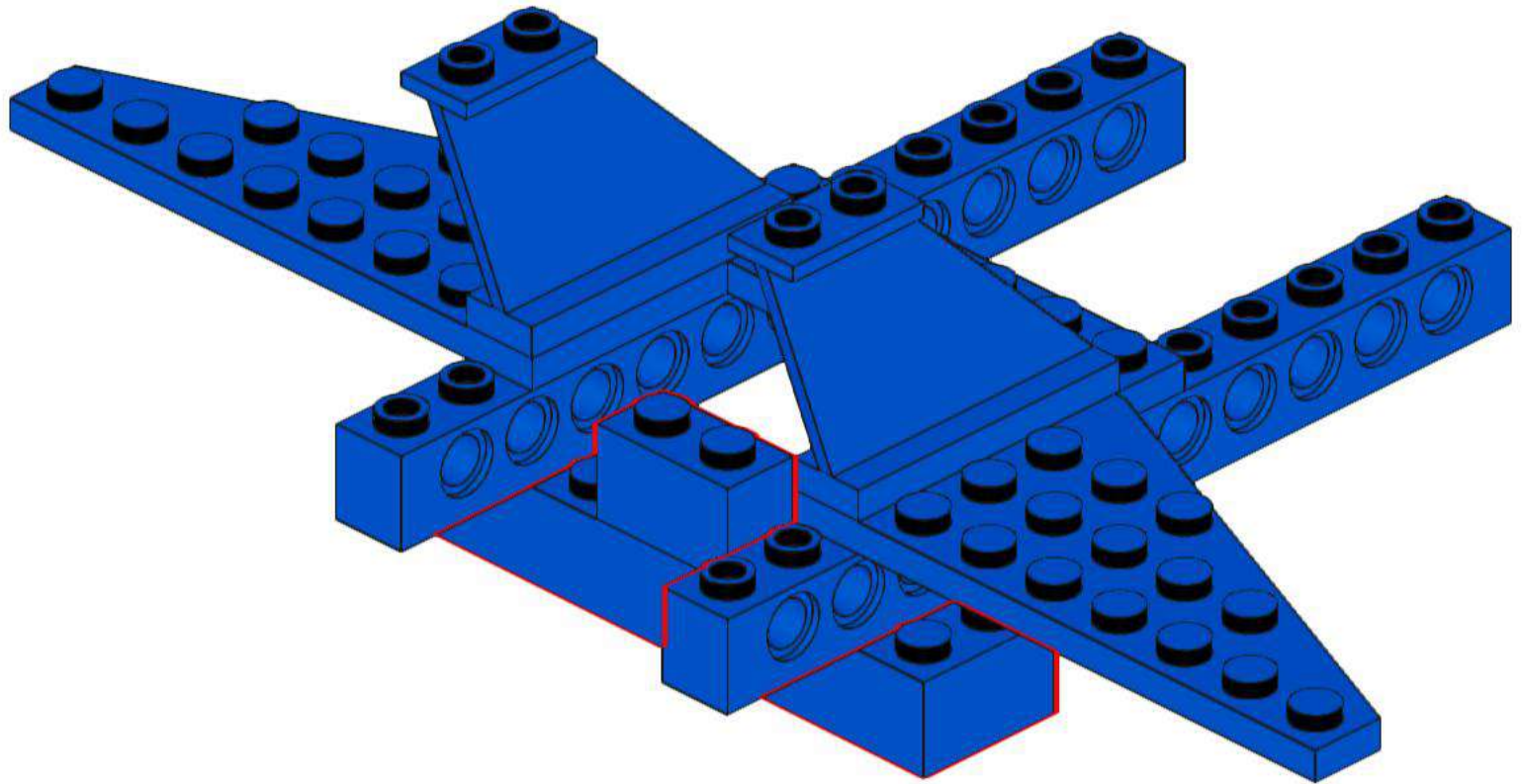
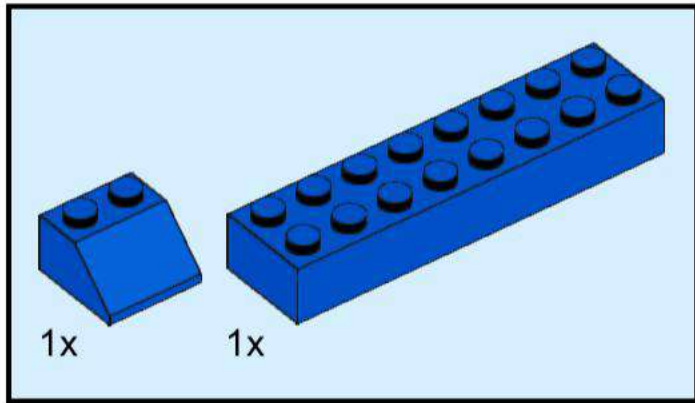
2



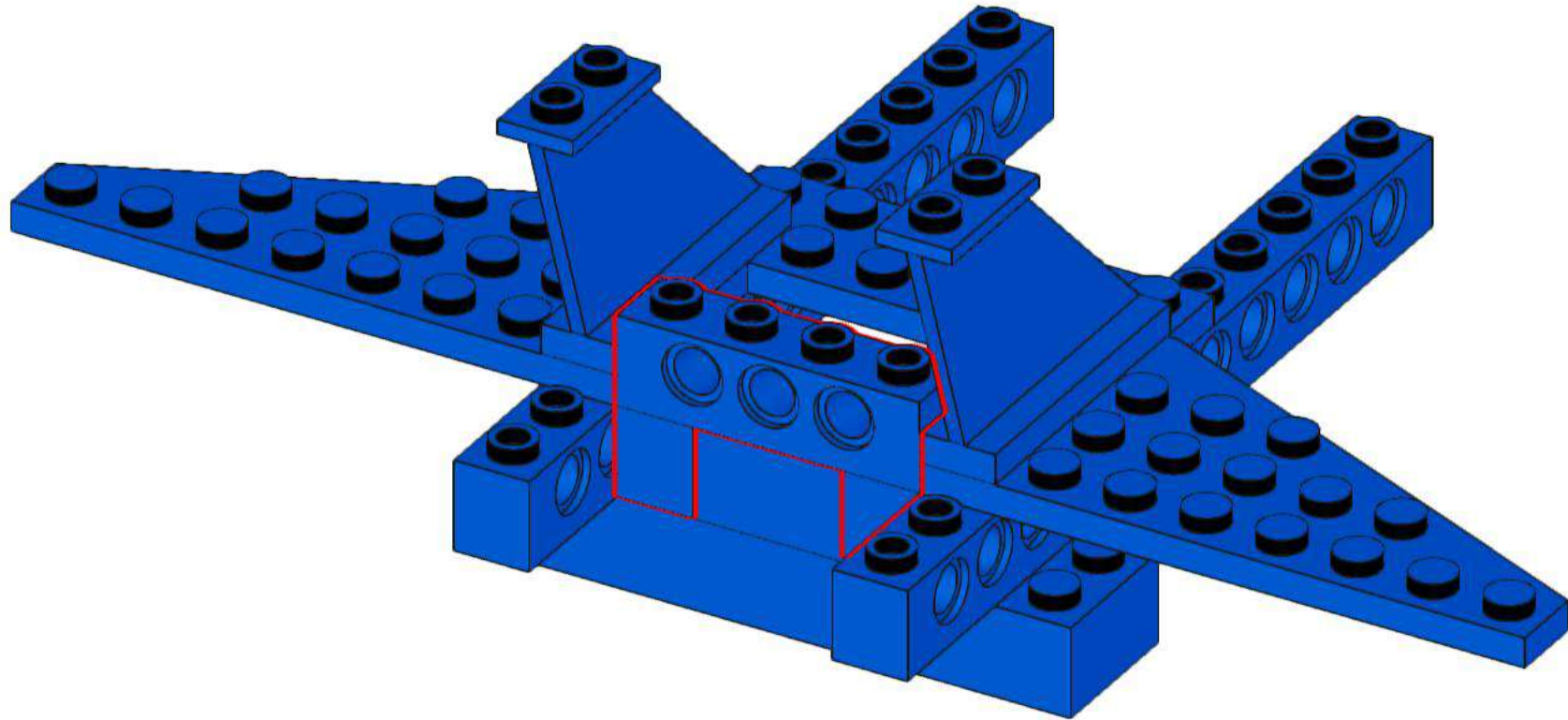
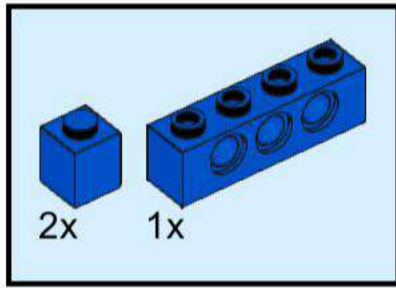
3



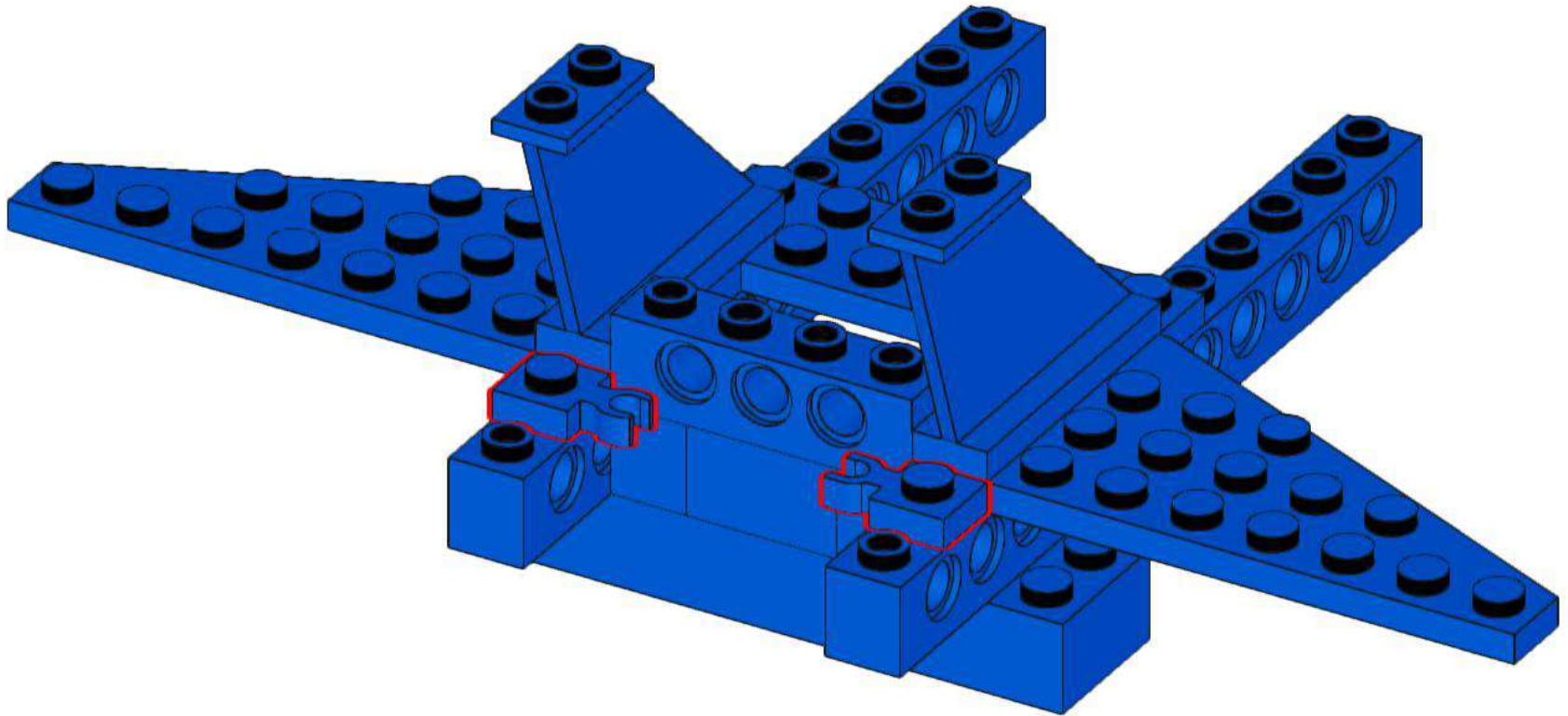
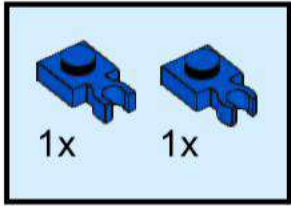
4



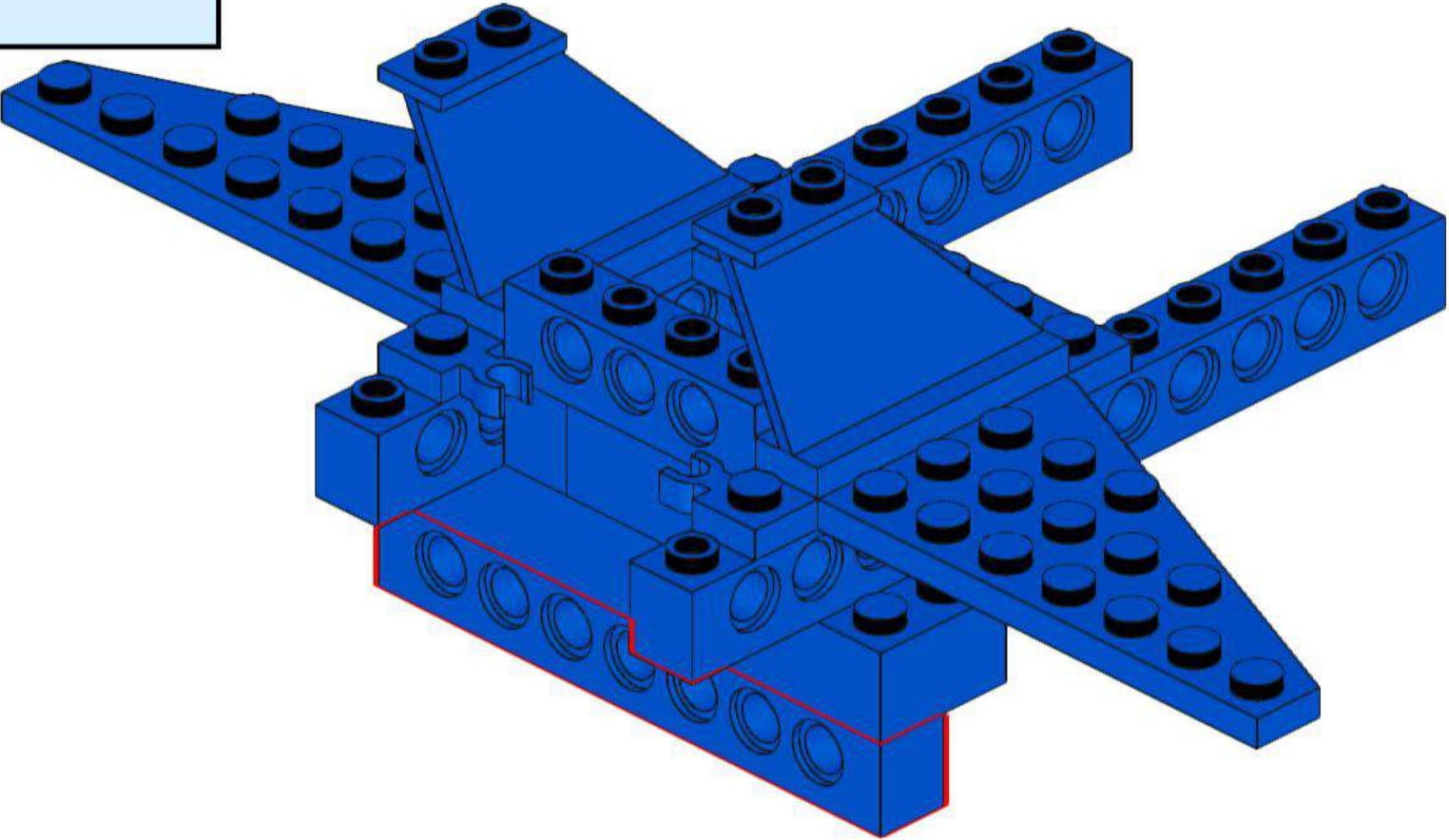
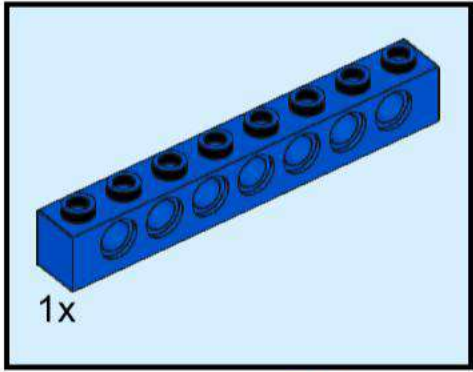
5



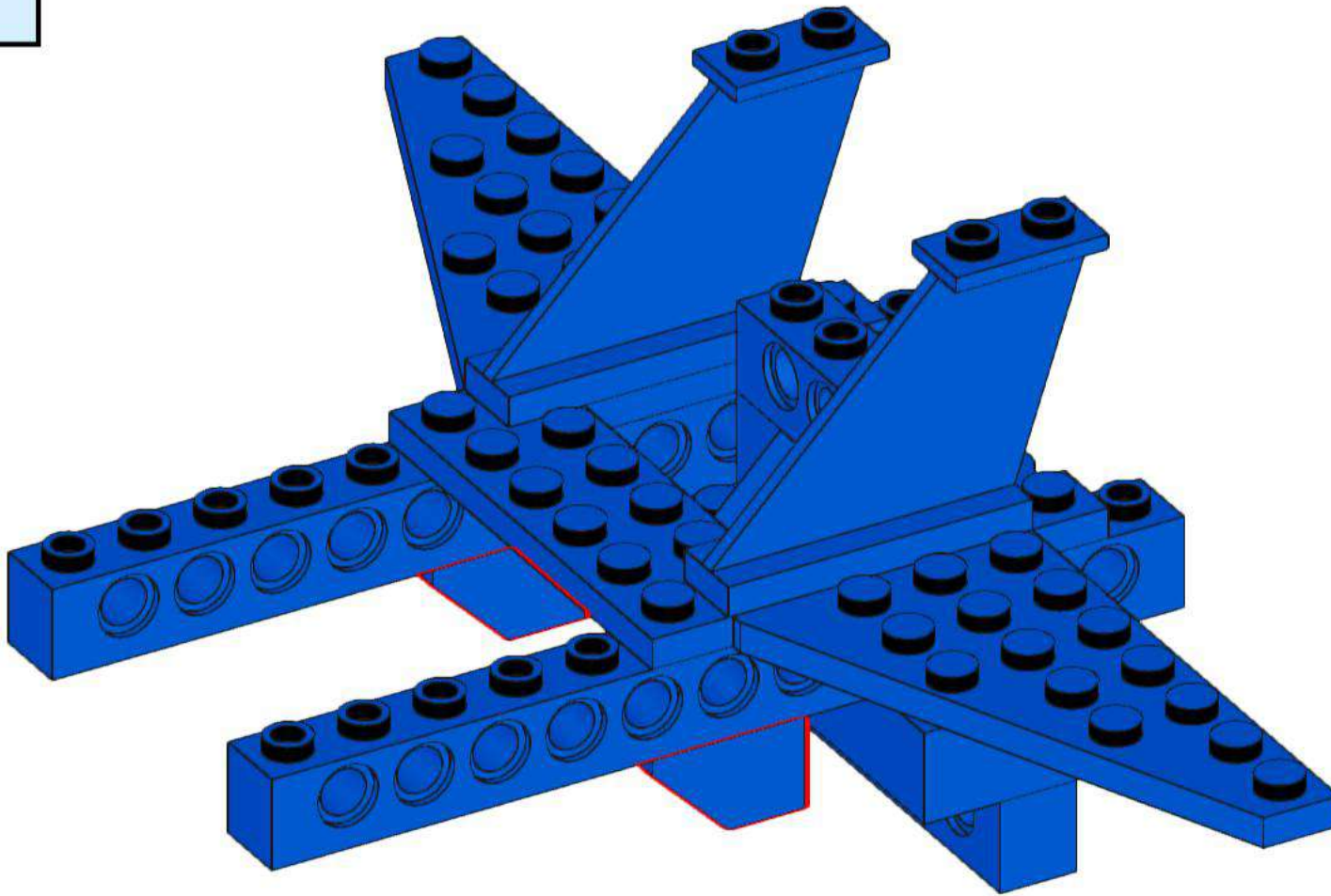
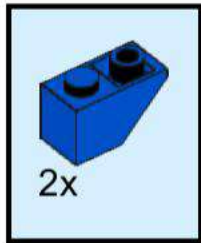
6



7

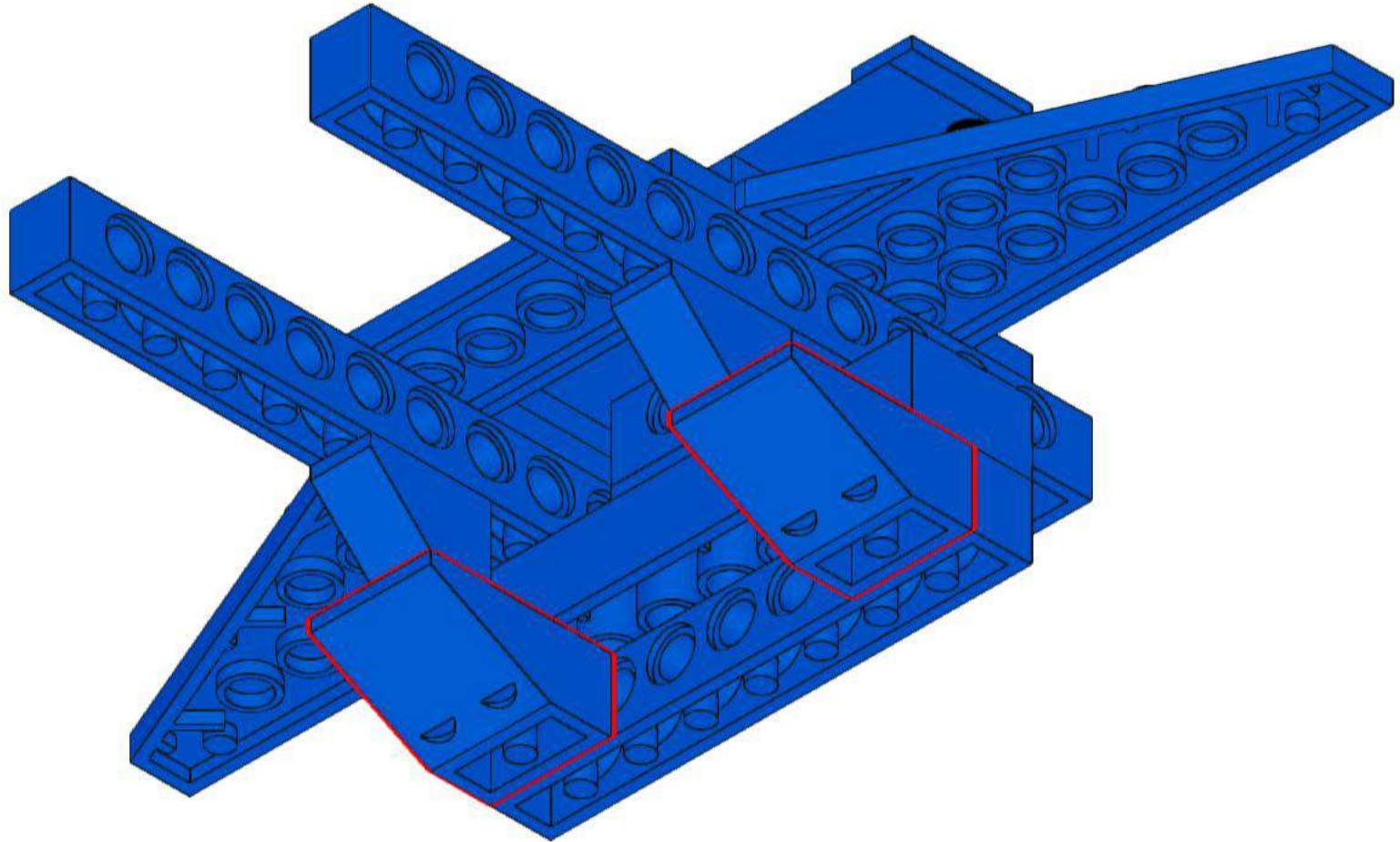
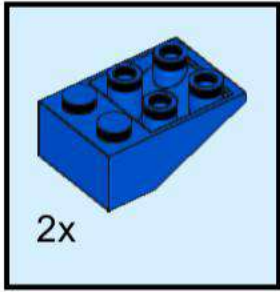


8

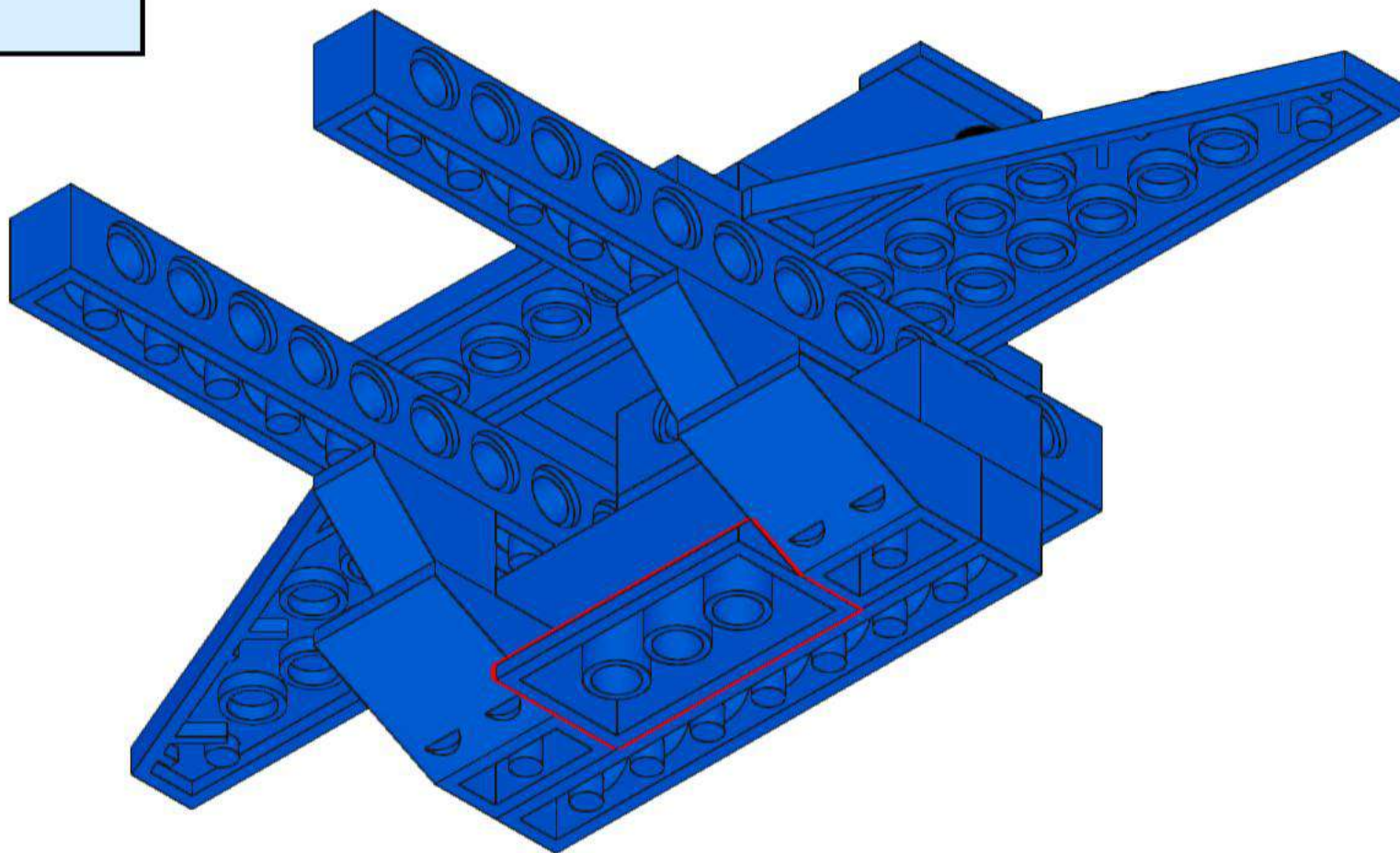
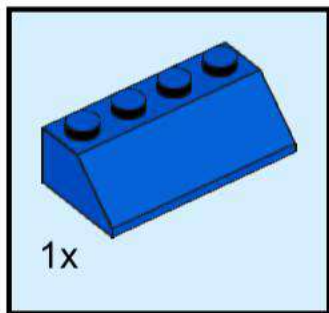




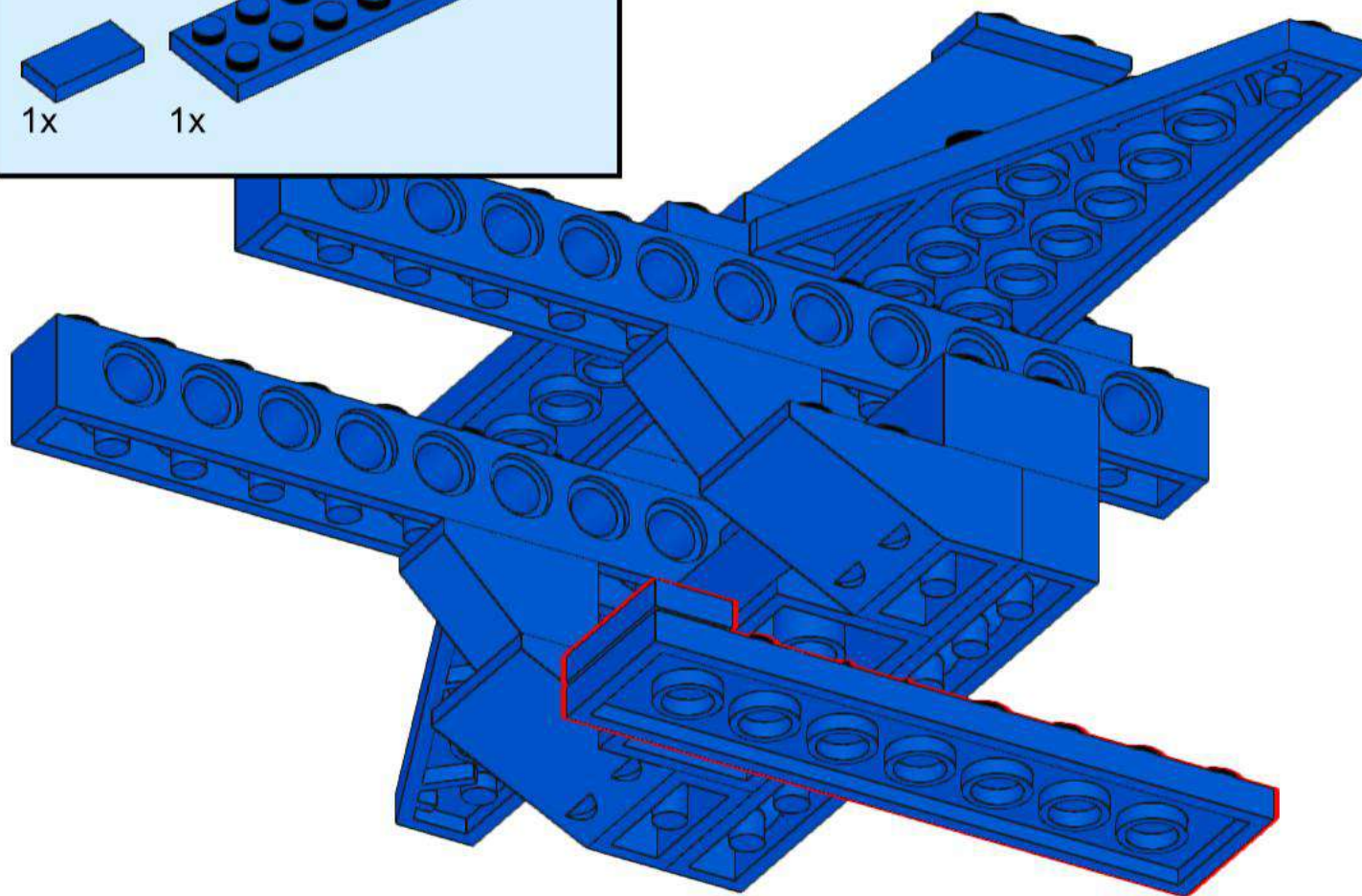
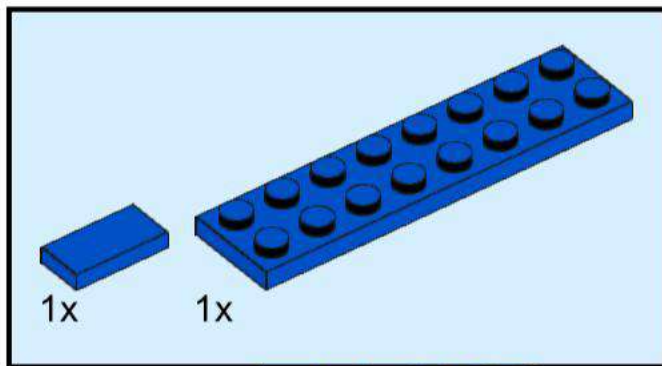
9



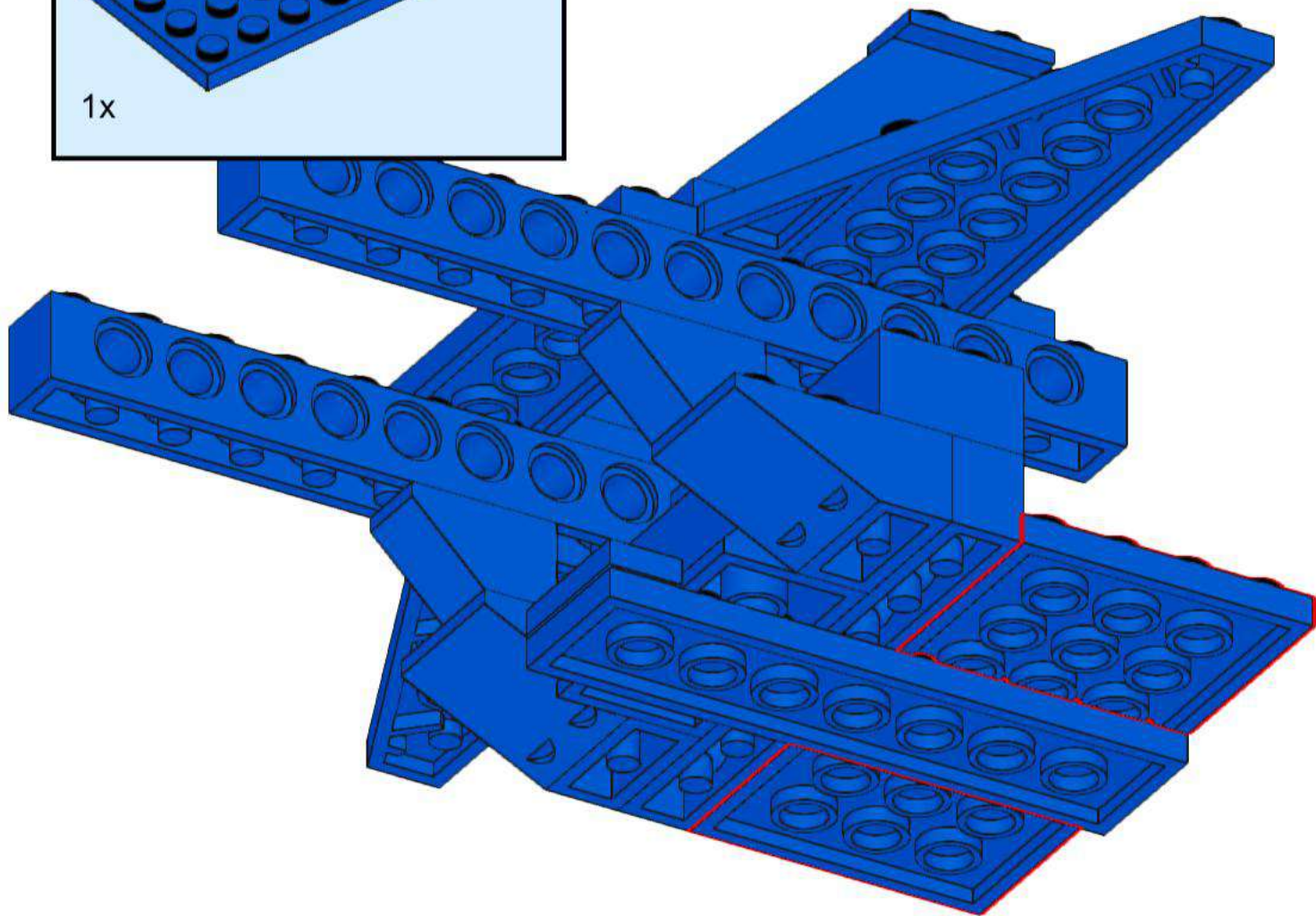
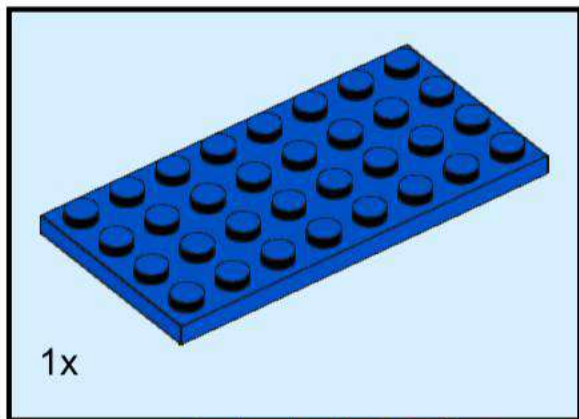
# 10



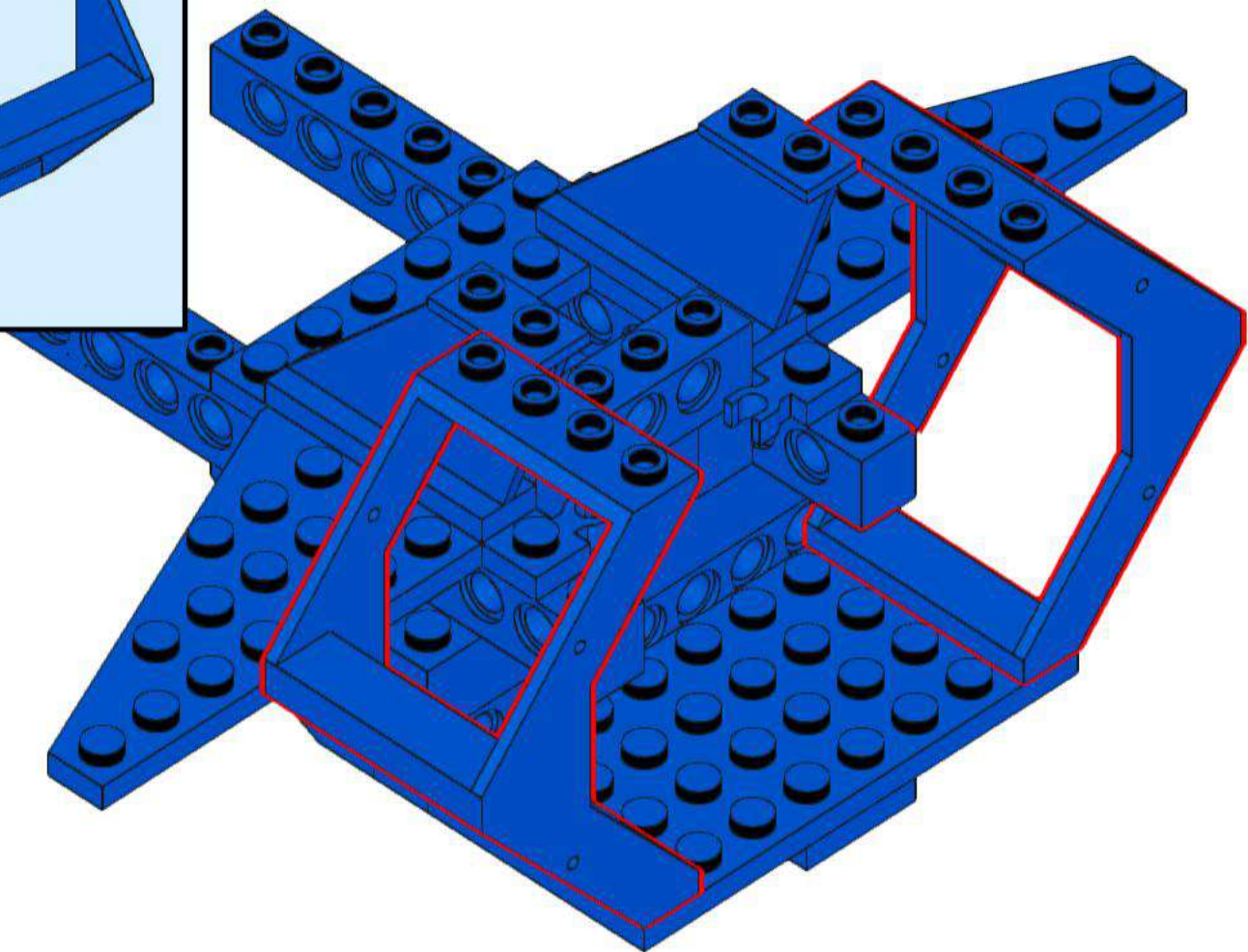
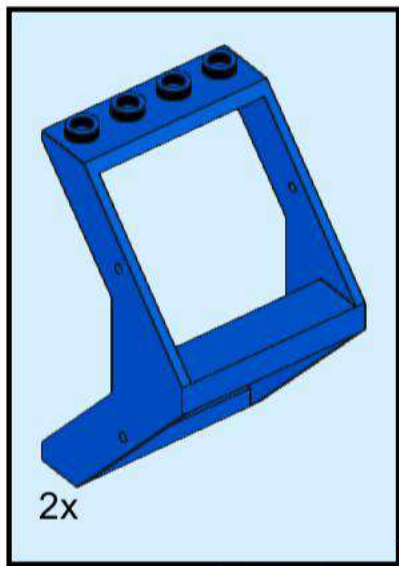
# 11



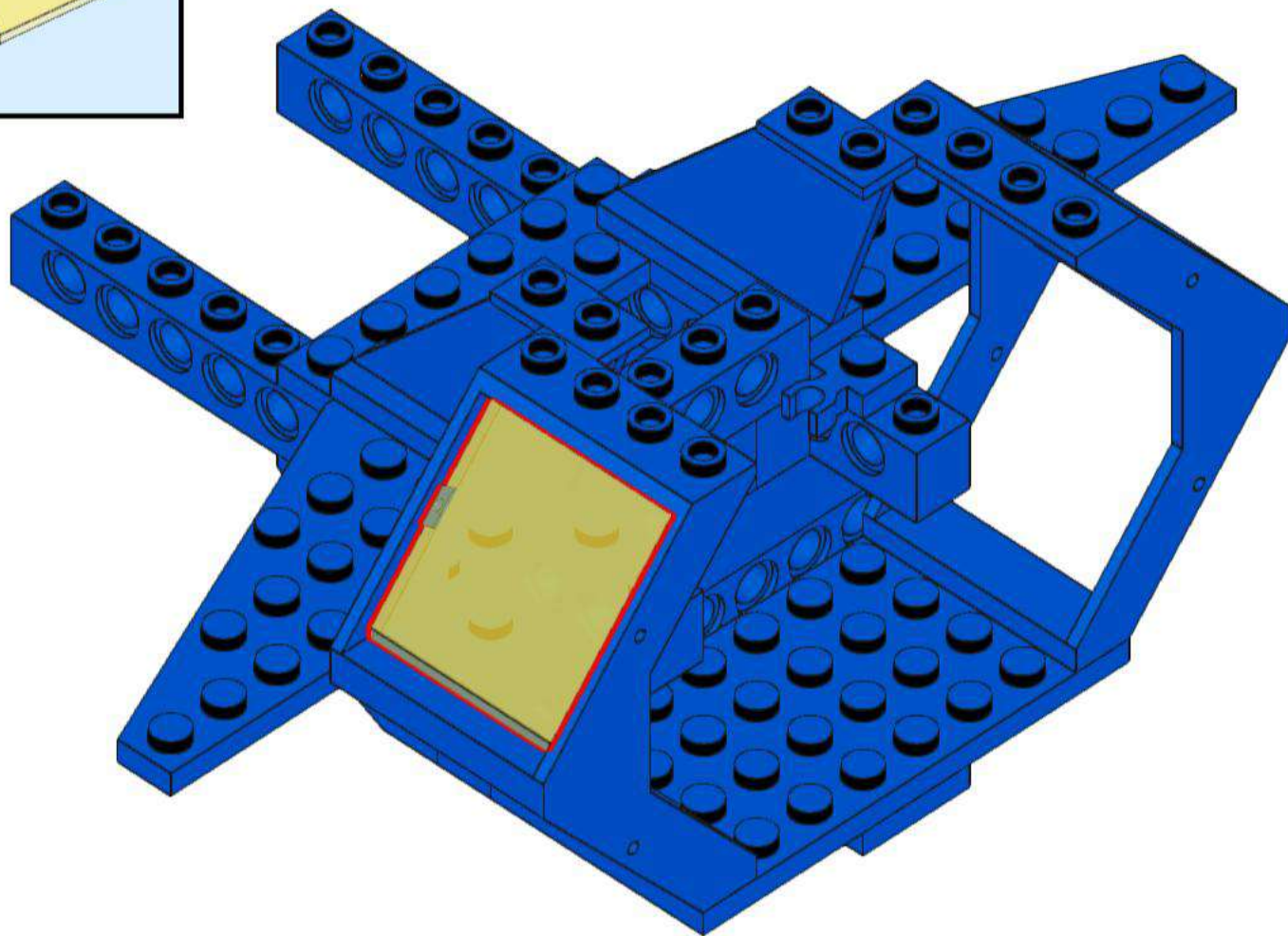
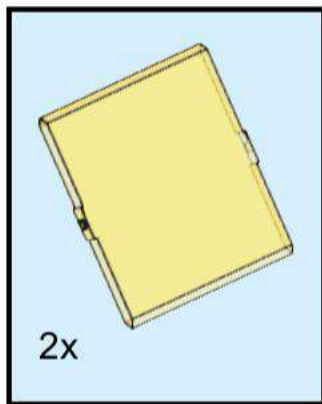
# 12



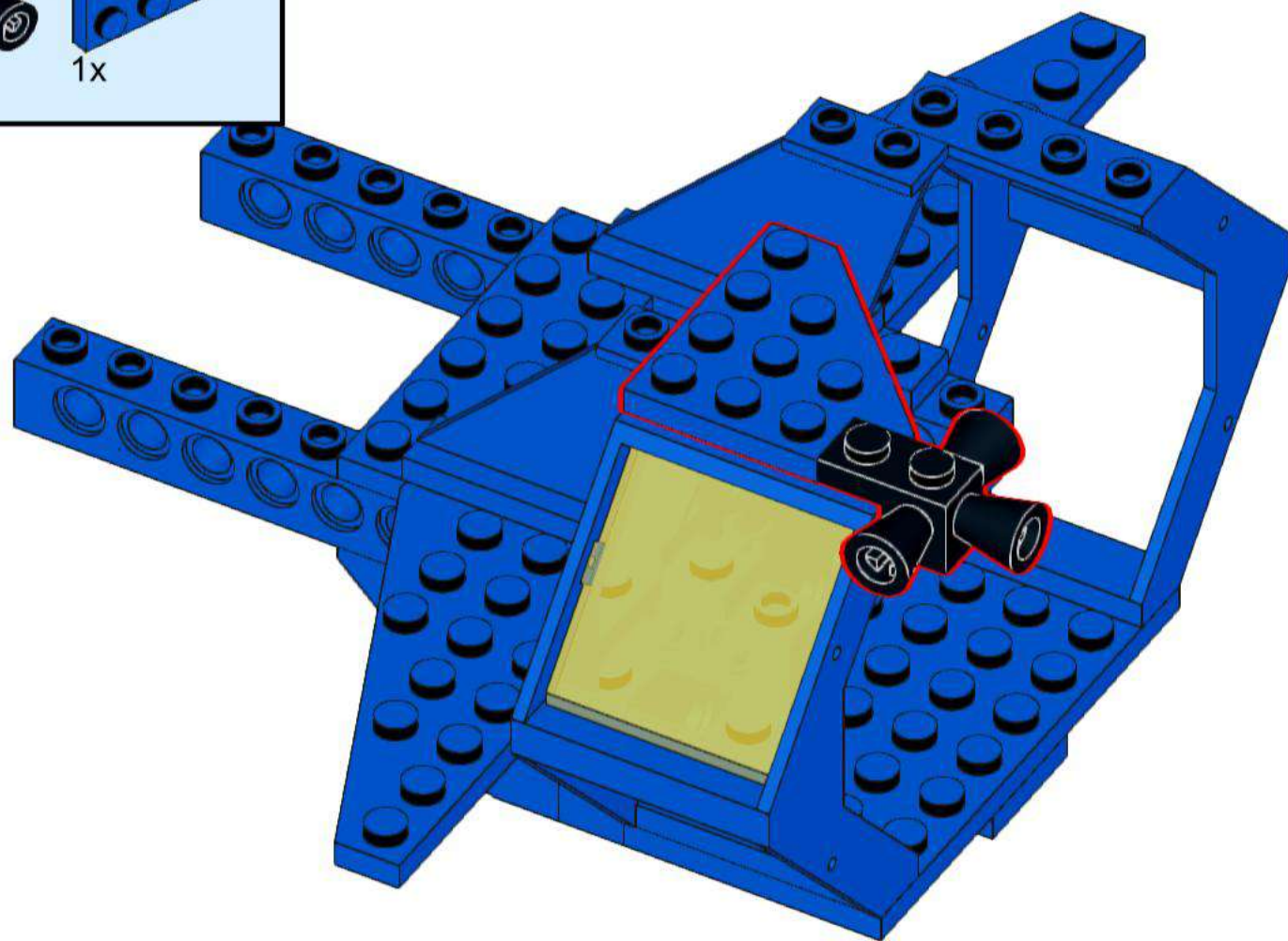
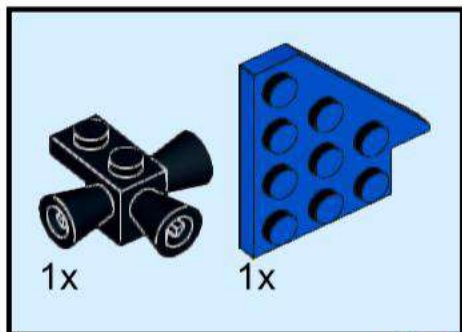
# 13



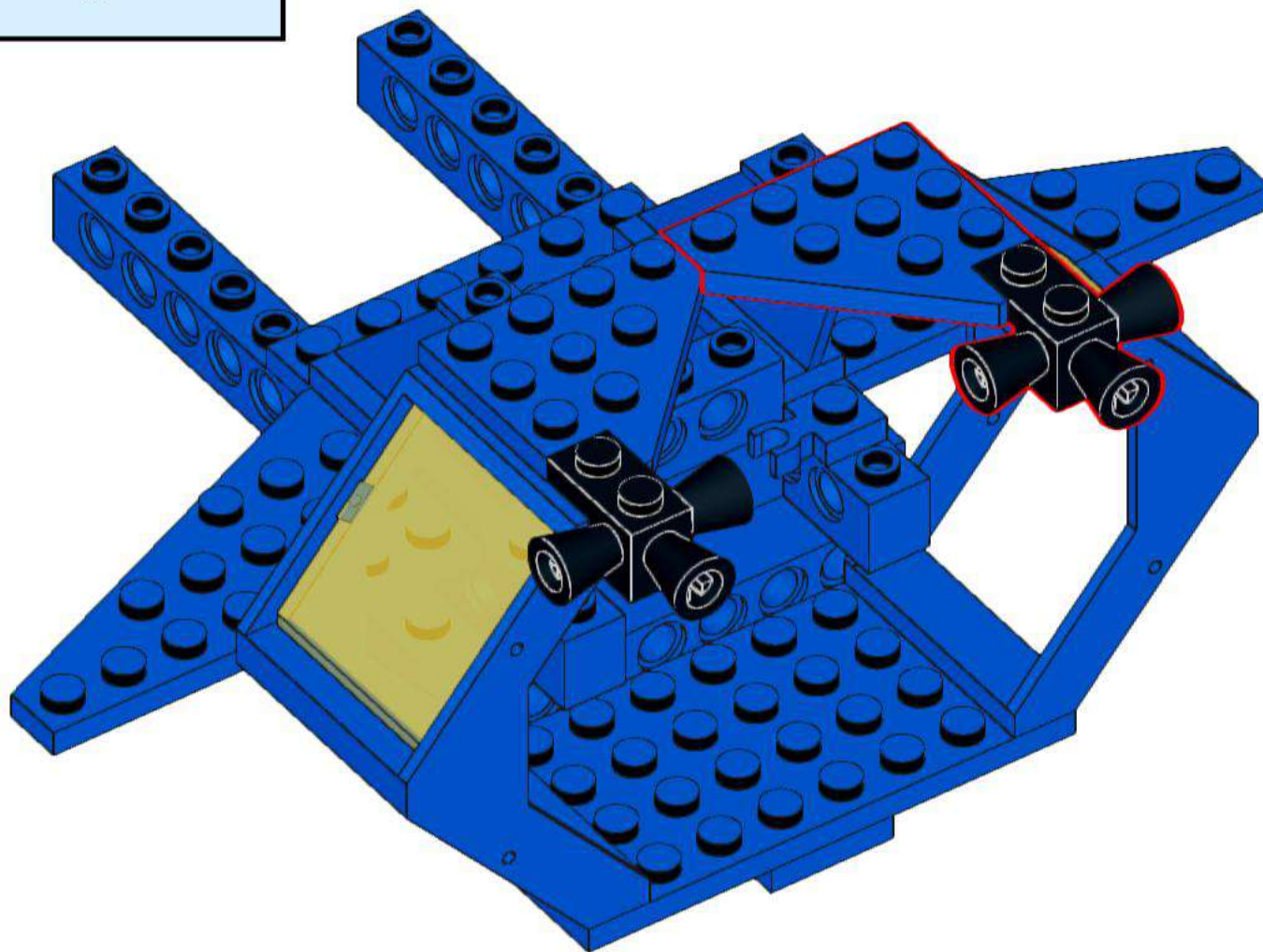
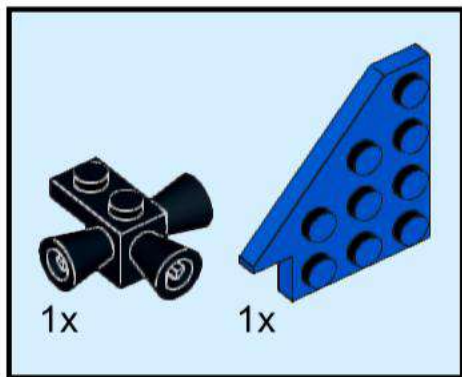
14



# 15

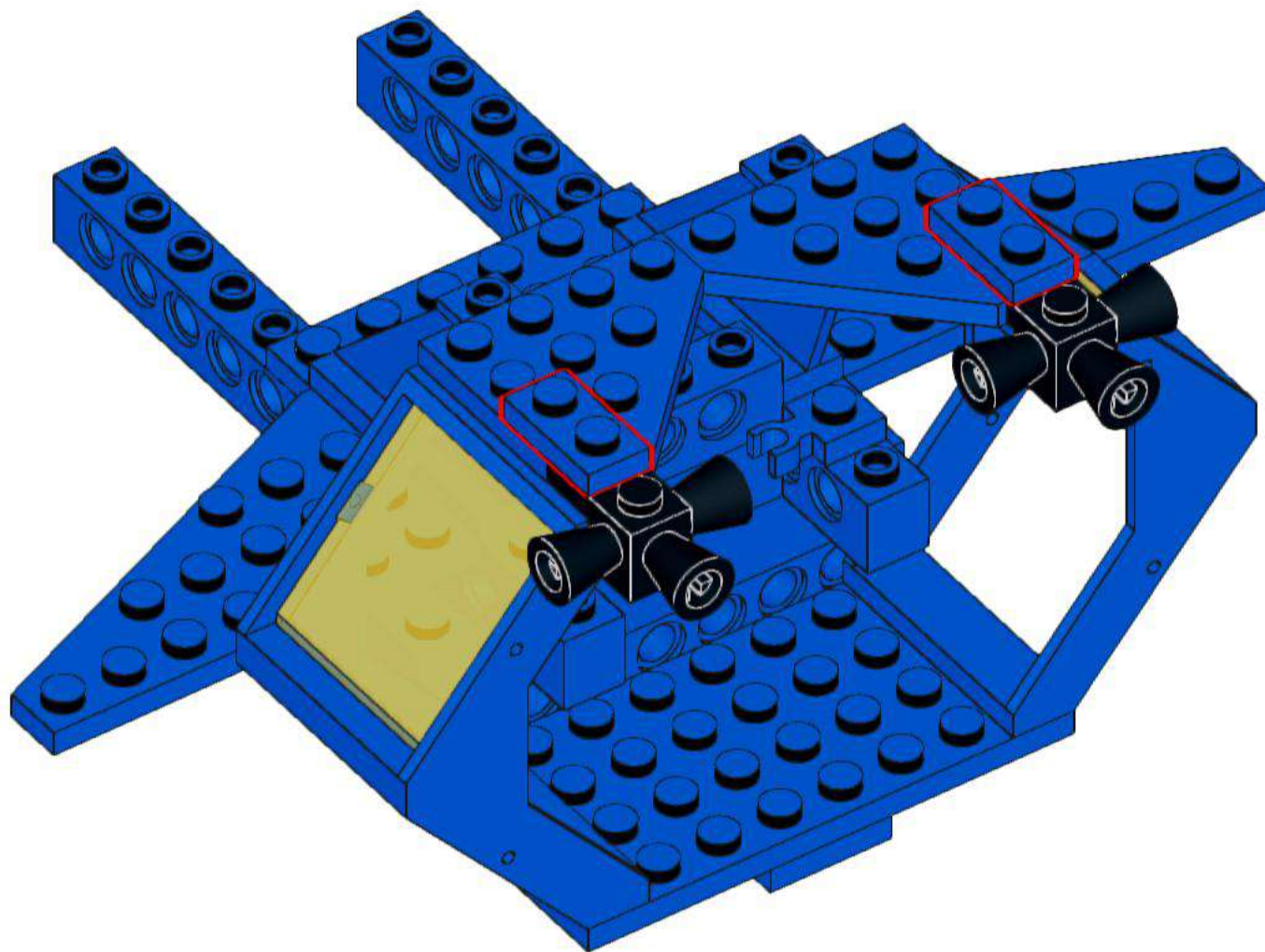
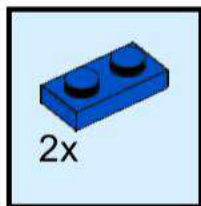


# 16

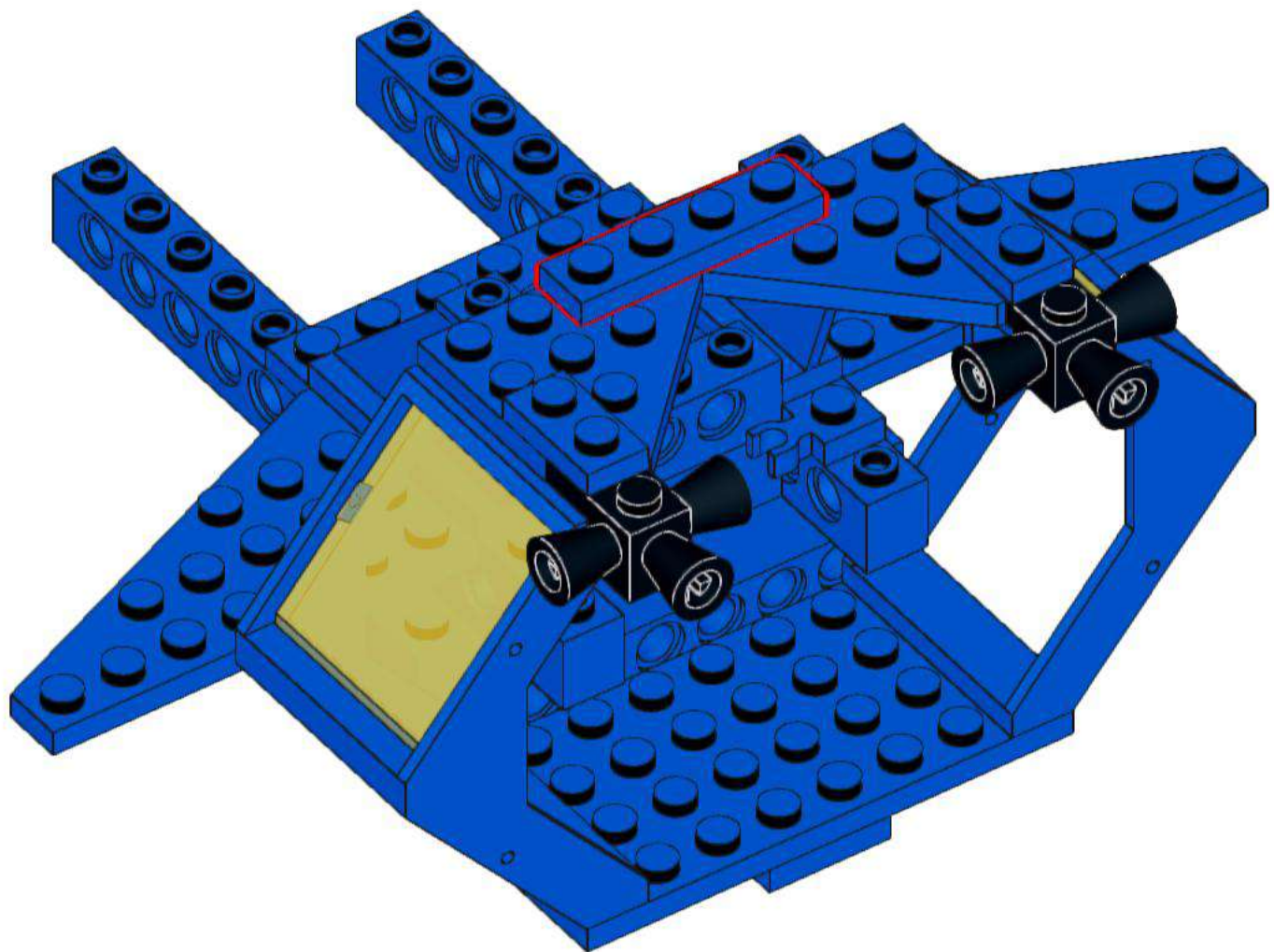
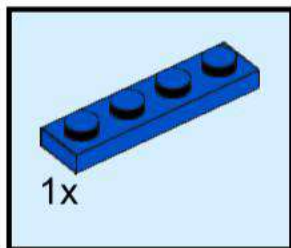




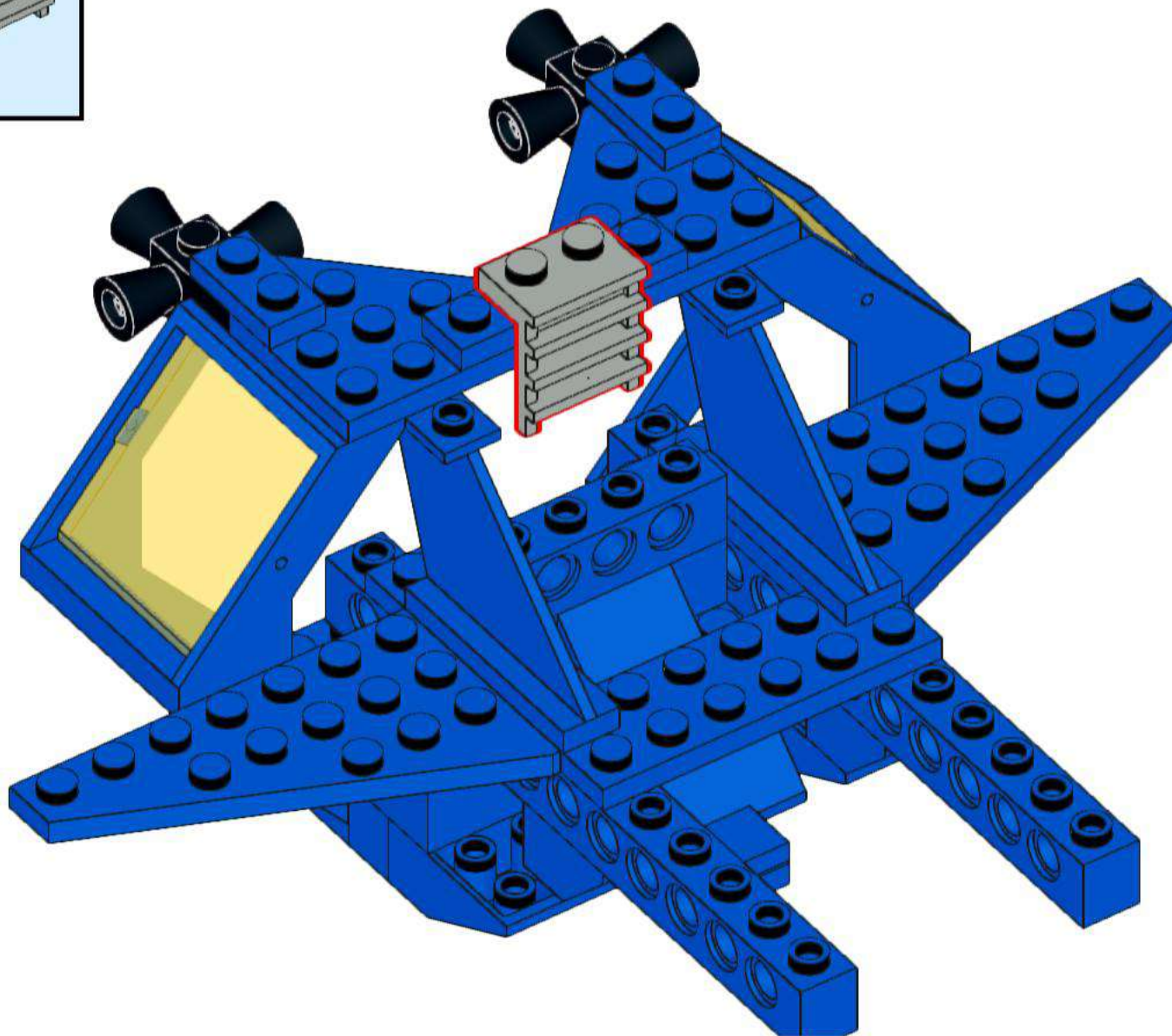
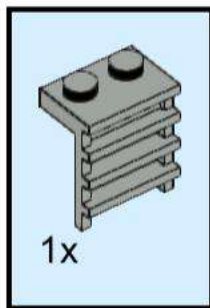
# 17



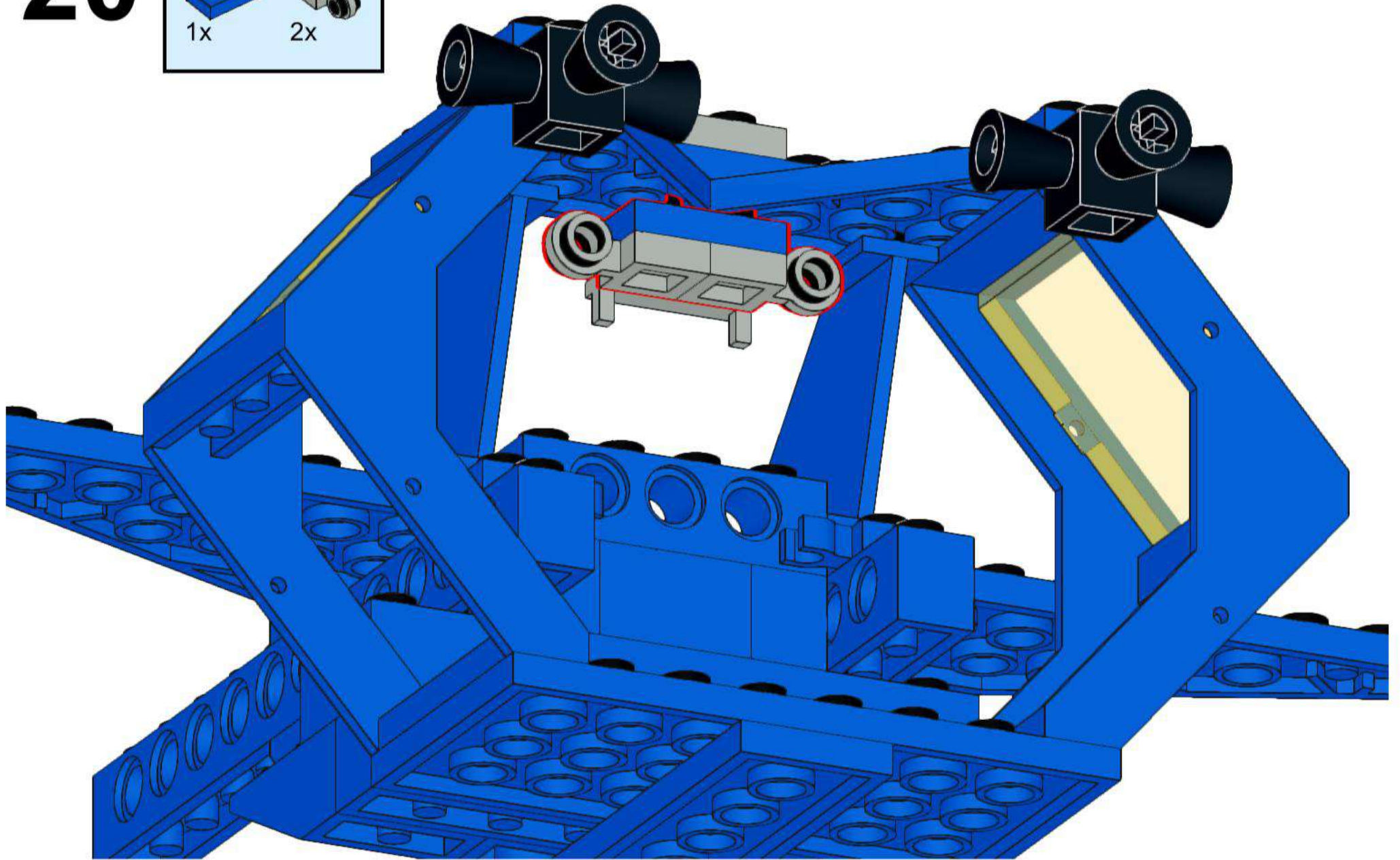
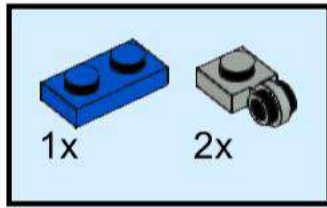
# 18



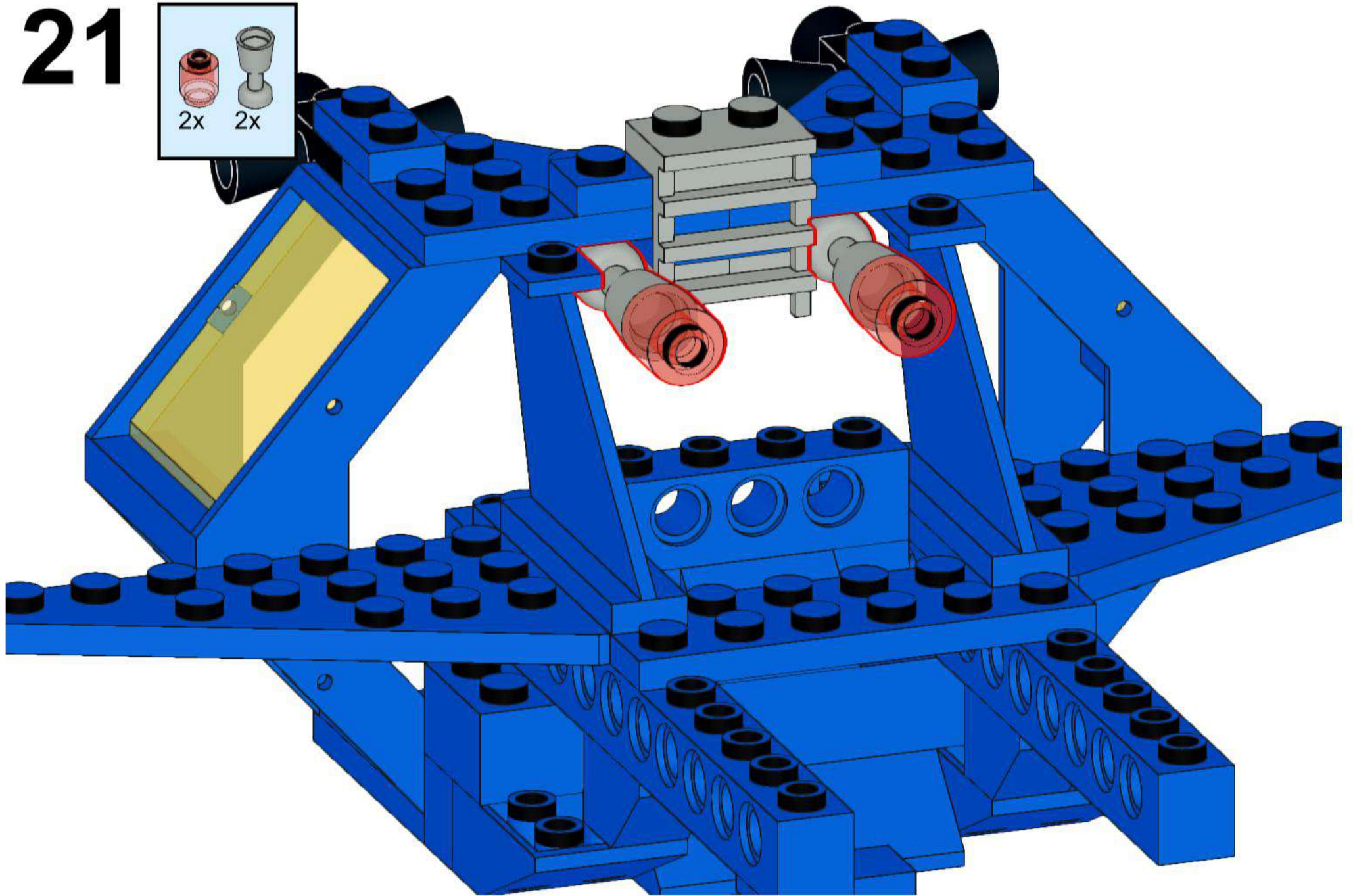
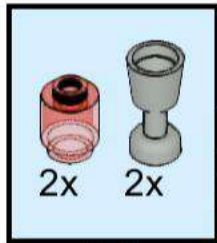
# 19



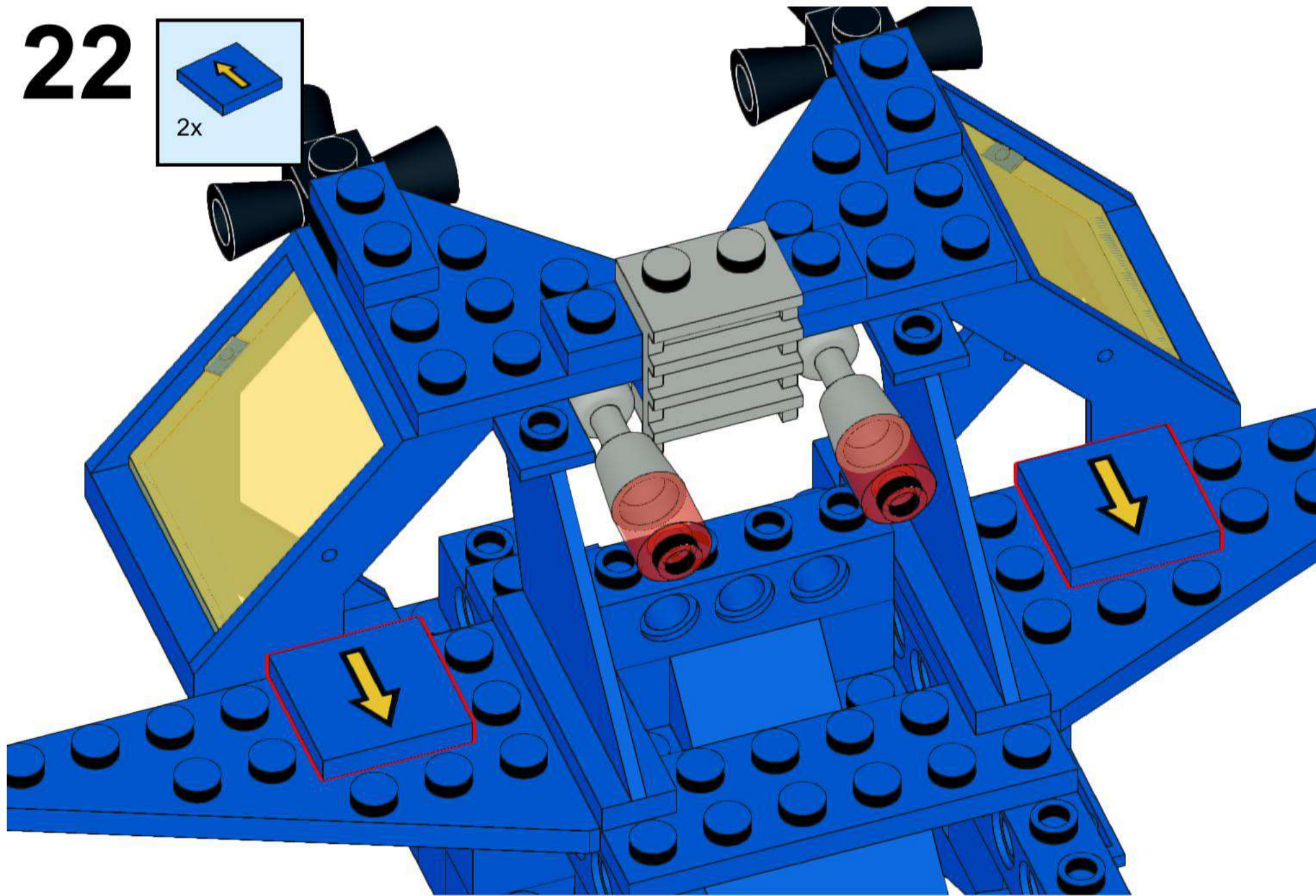
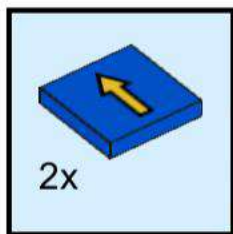
# 20



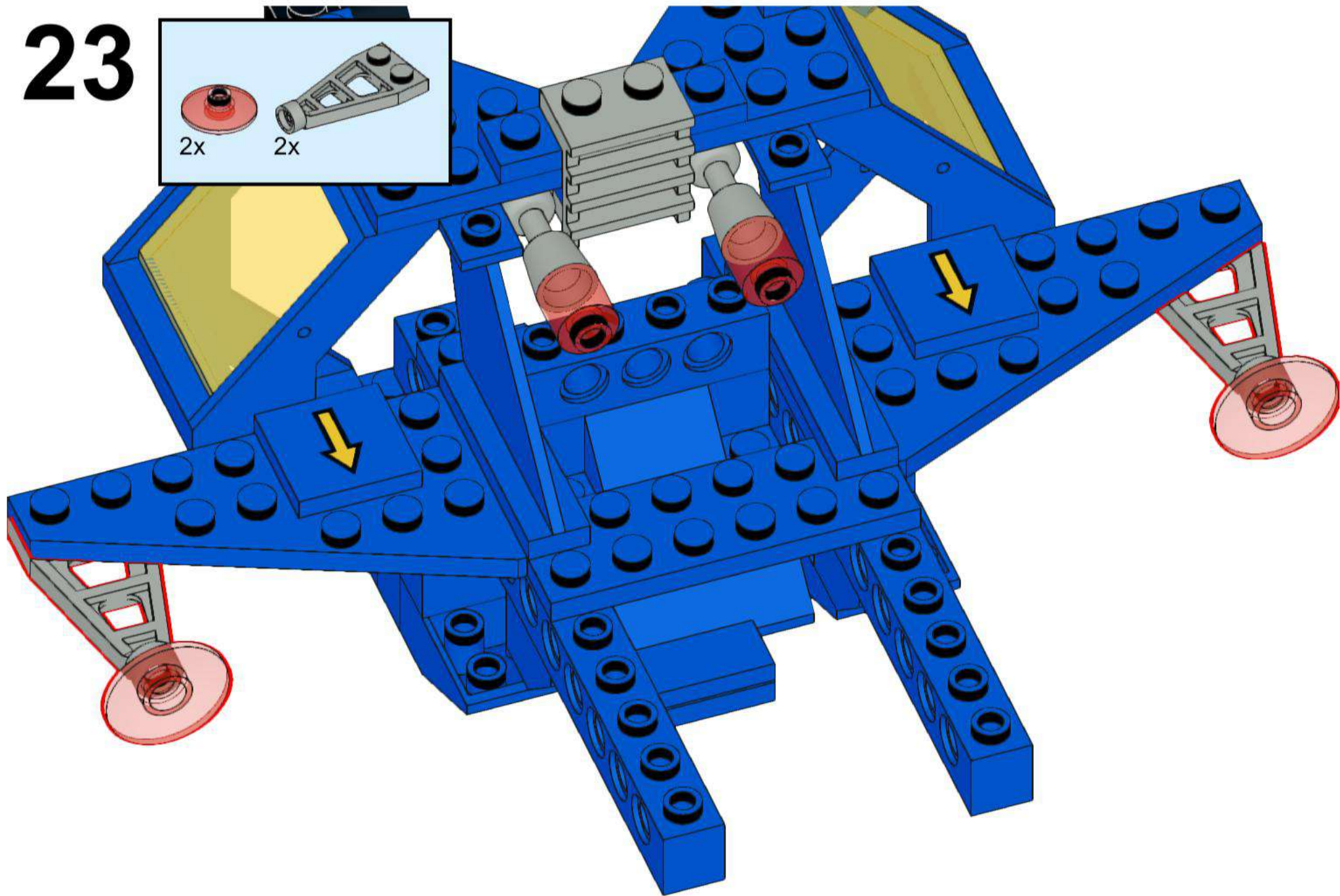
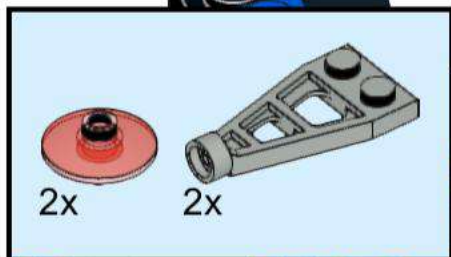
# 21



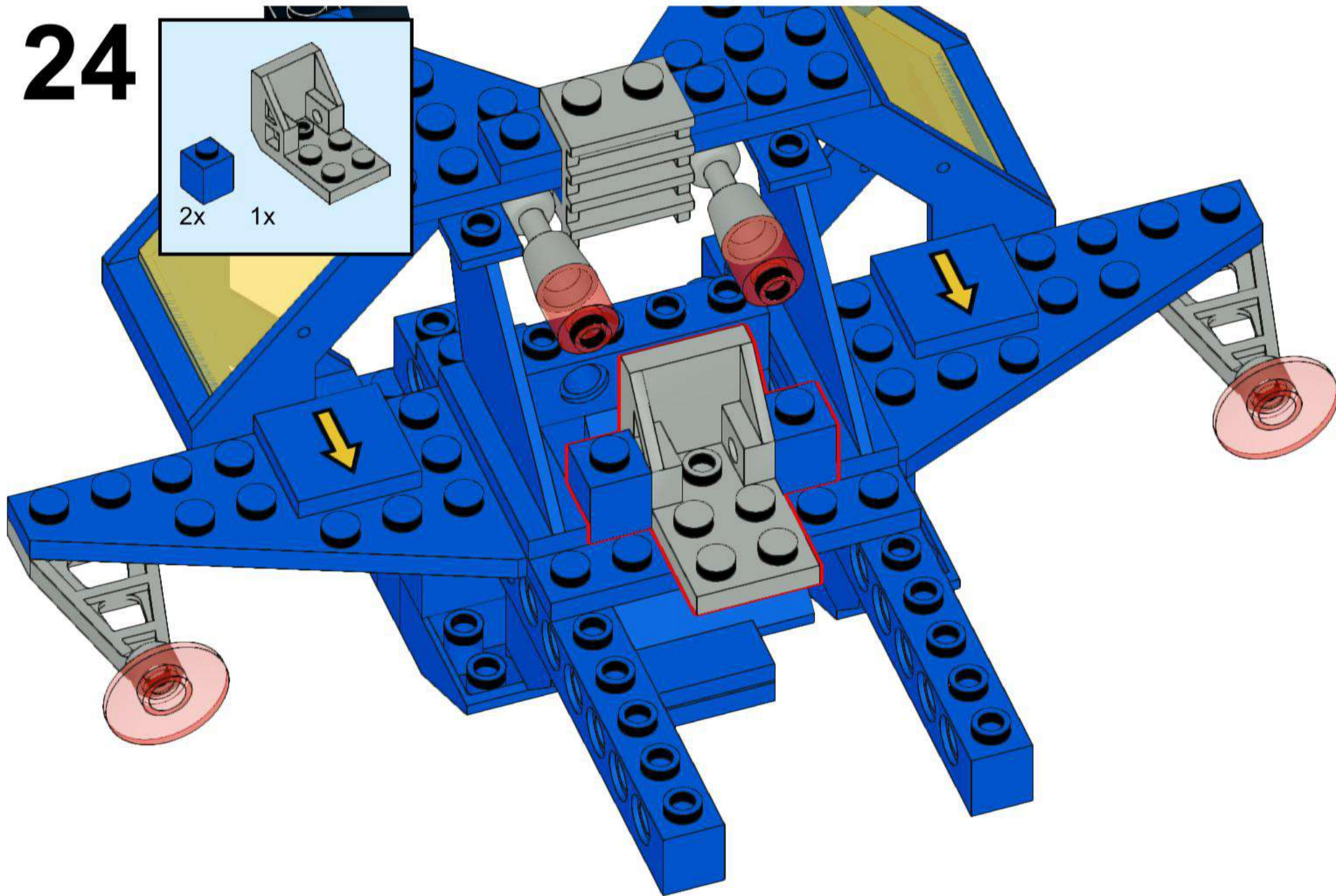
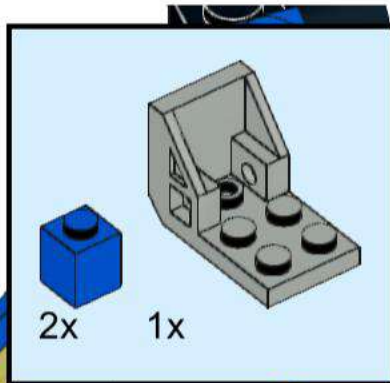
22



# 23

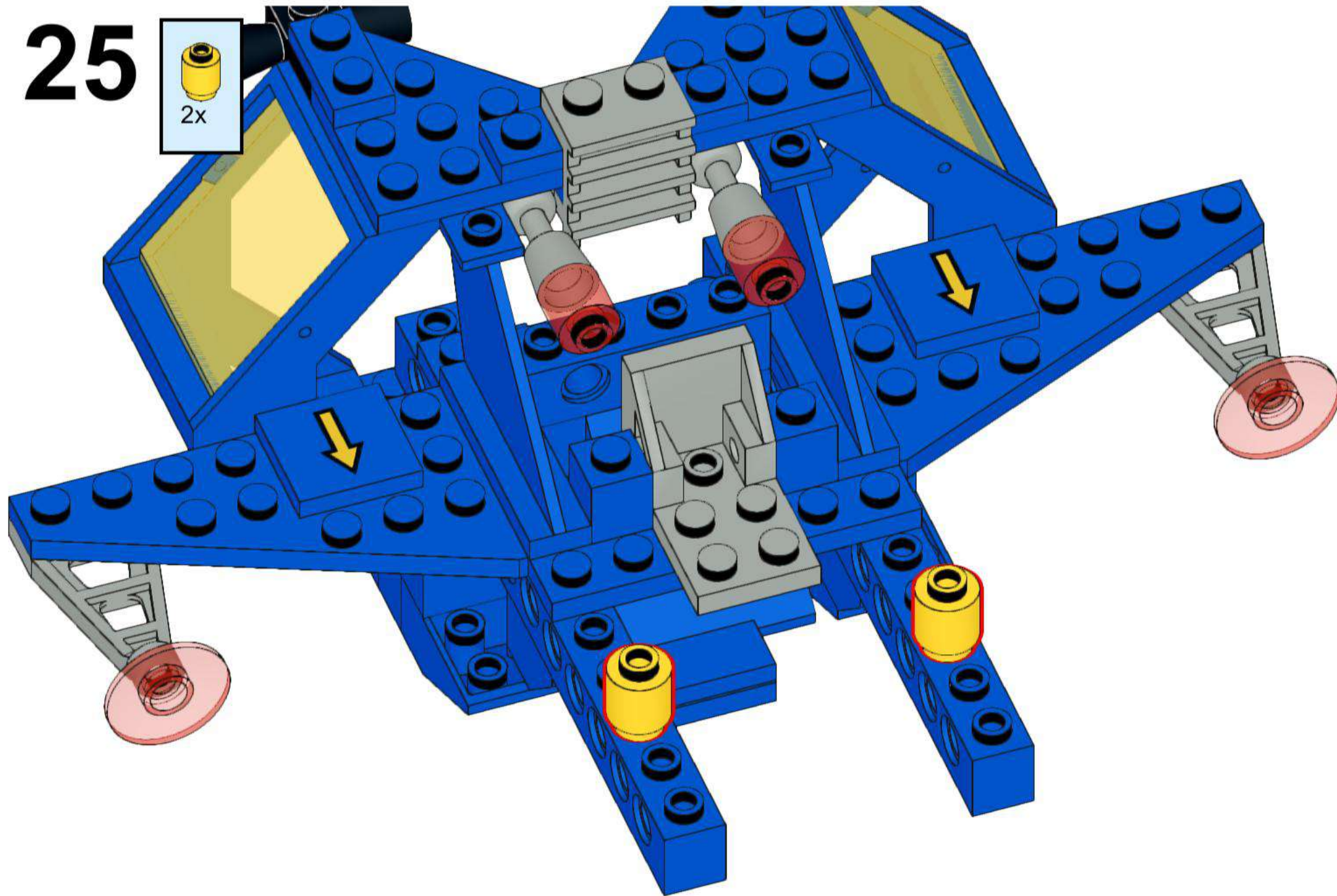
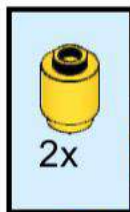


# 24

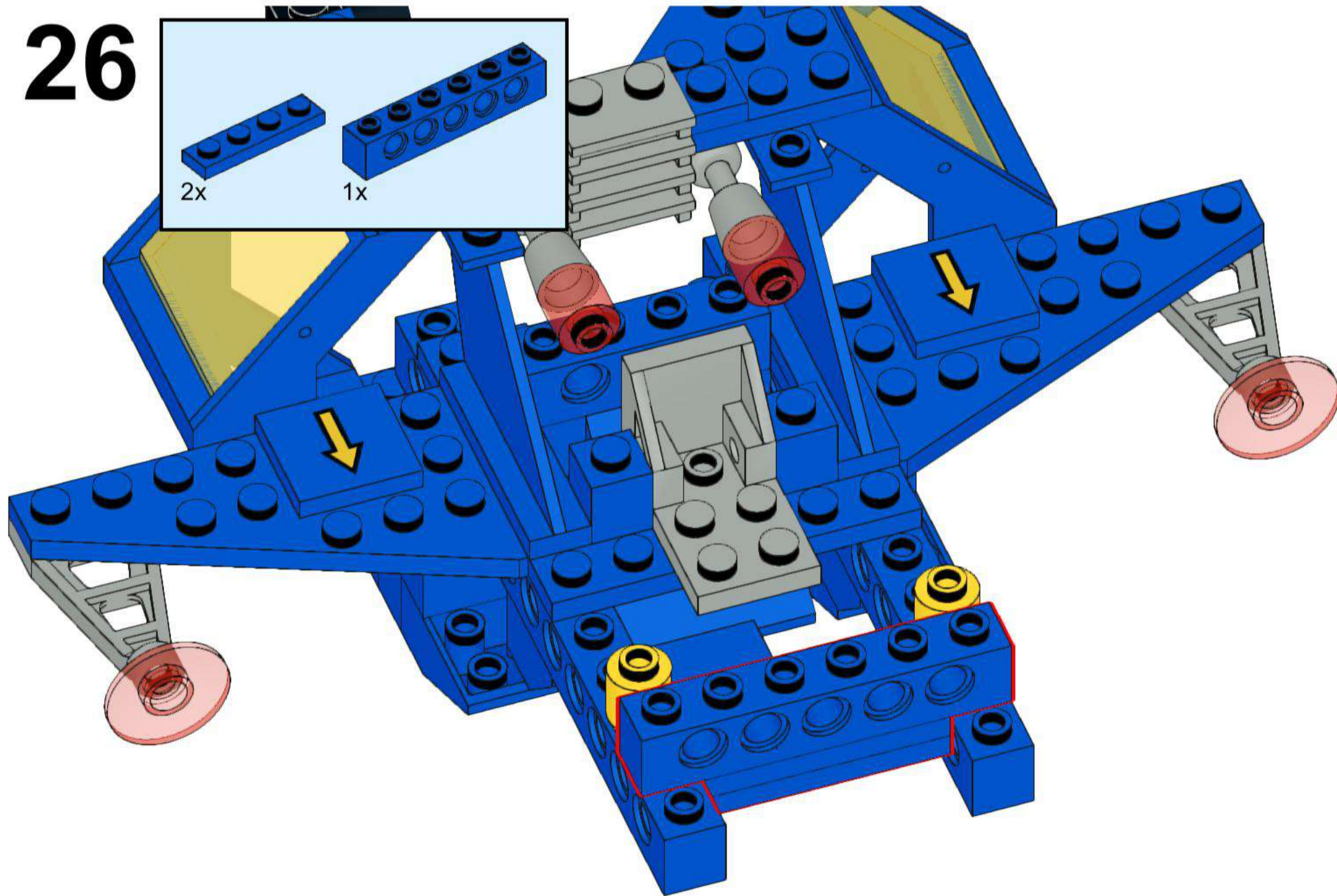




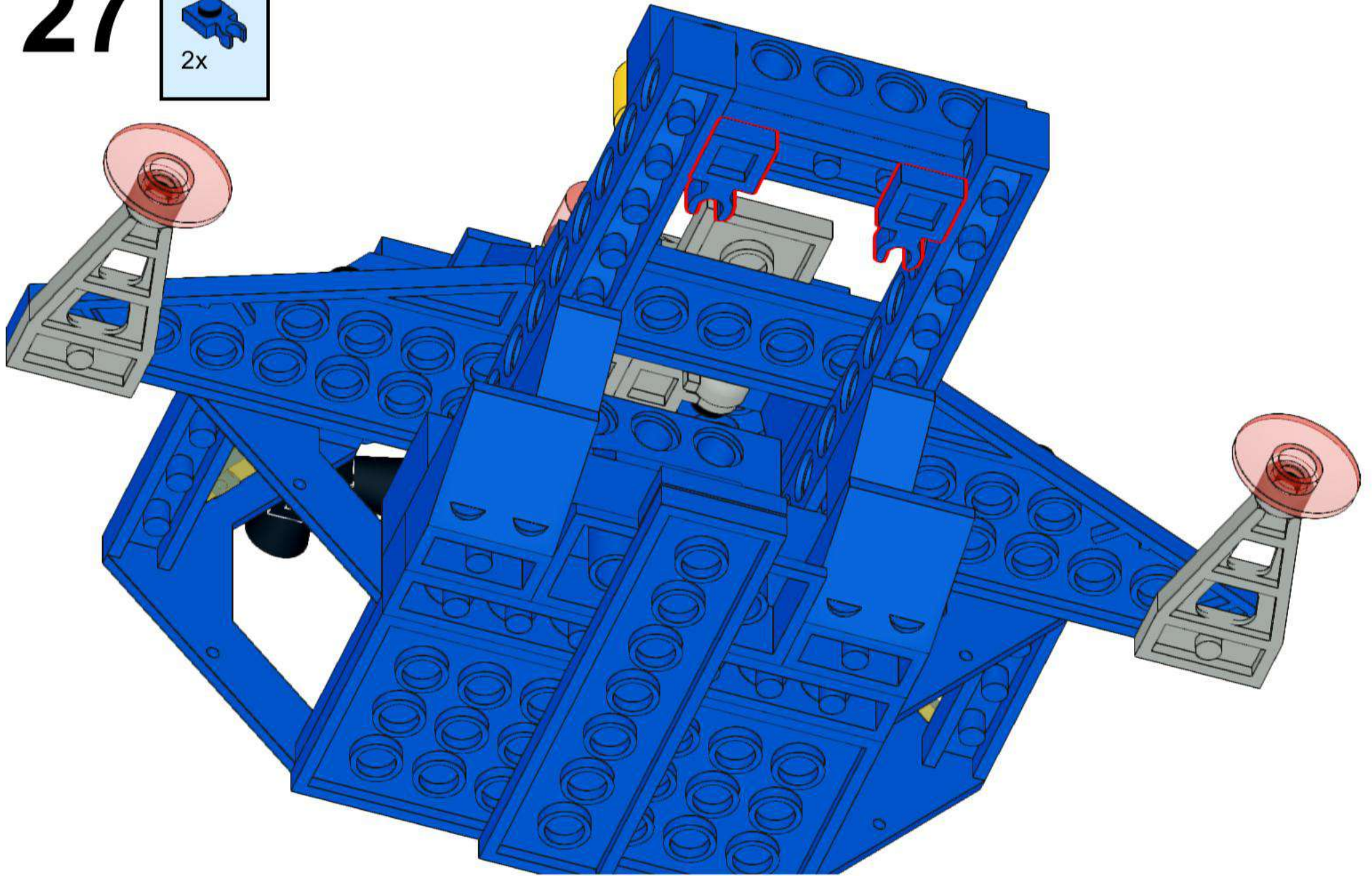
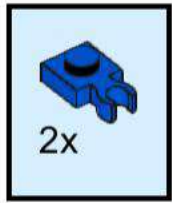
25



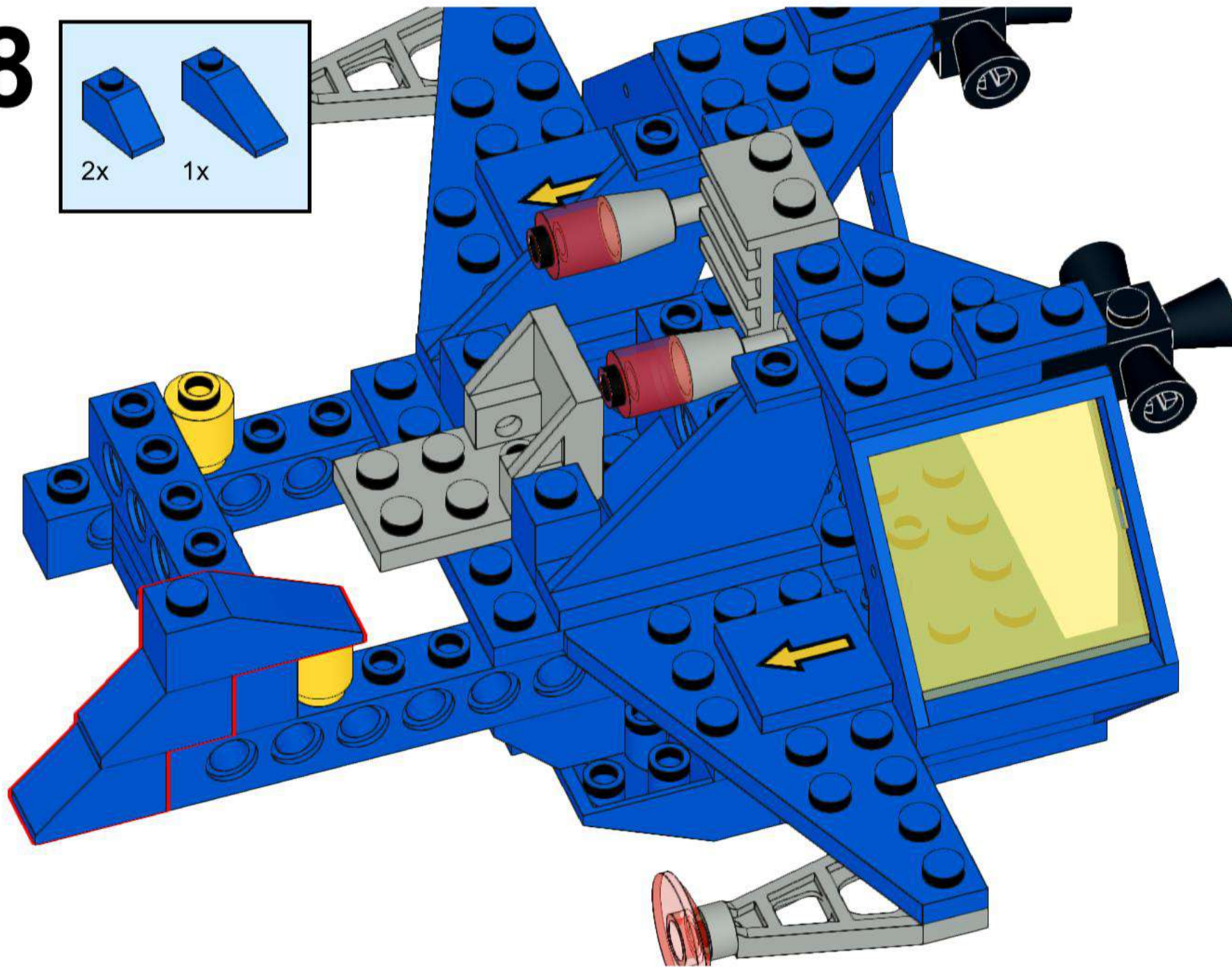
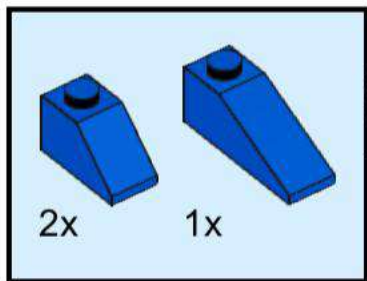
# 26



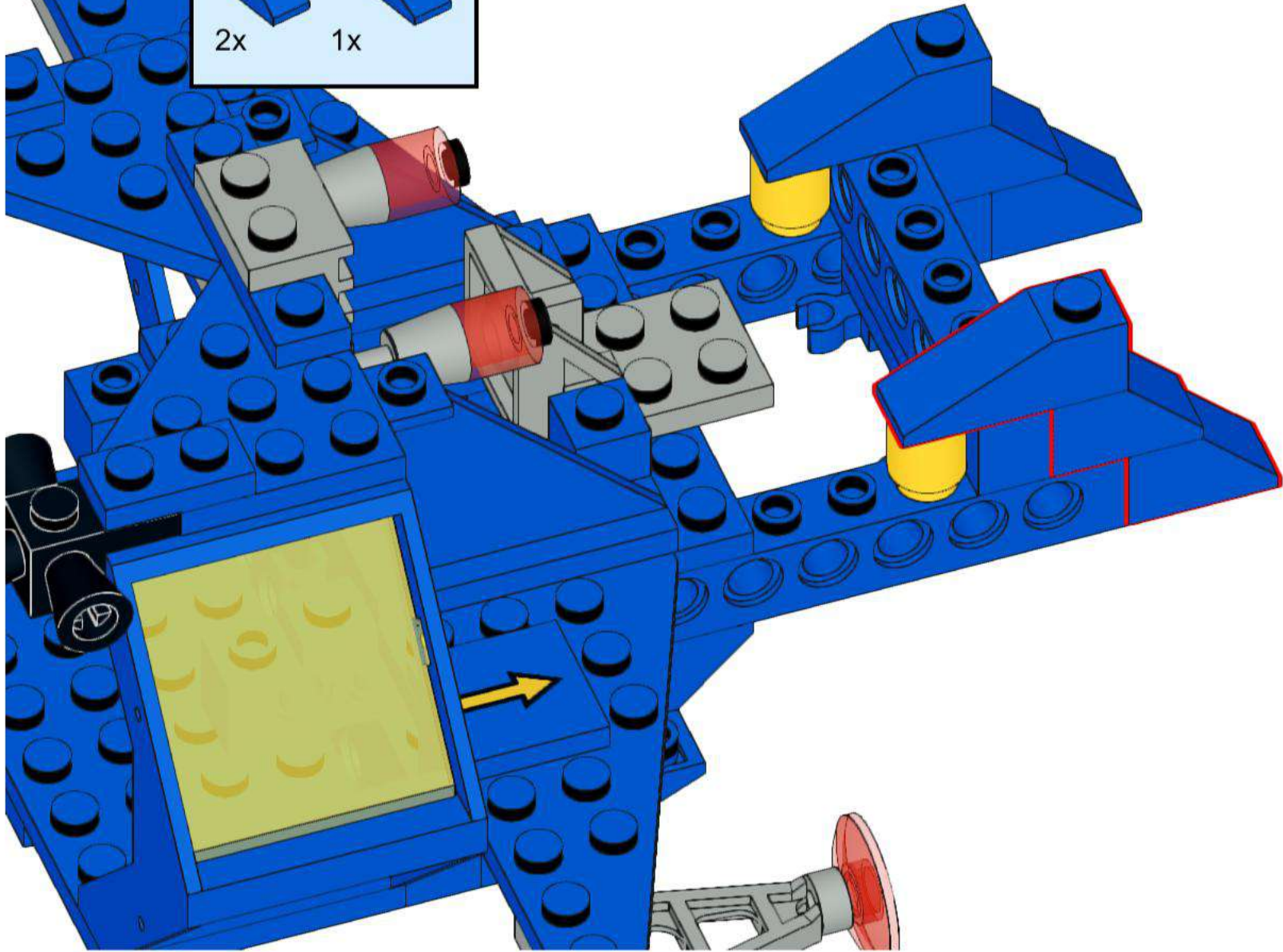
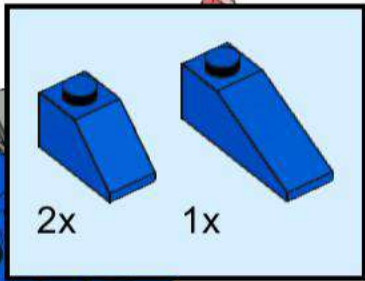
27



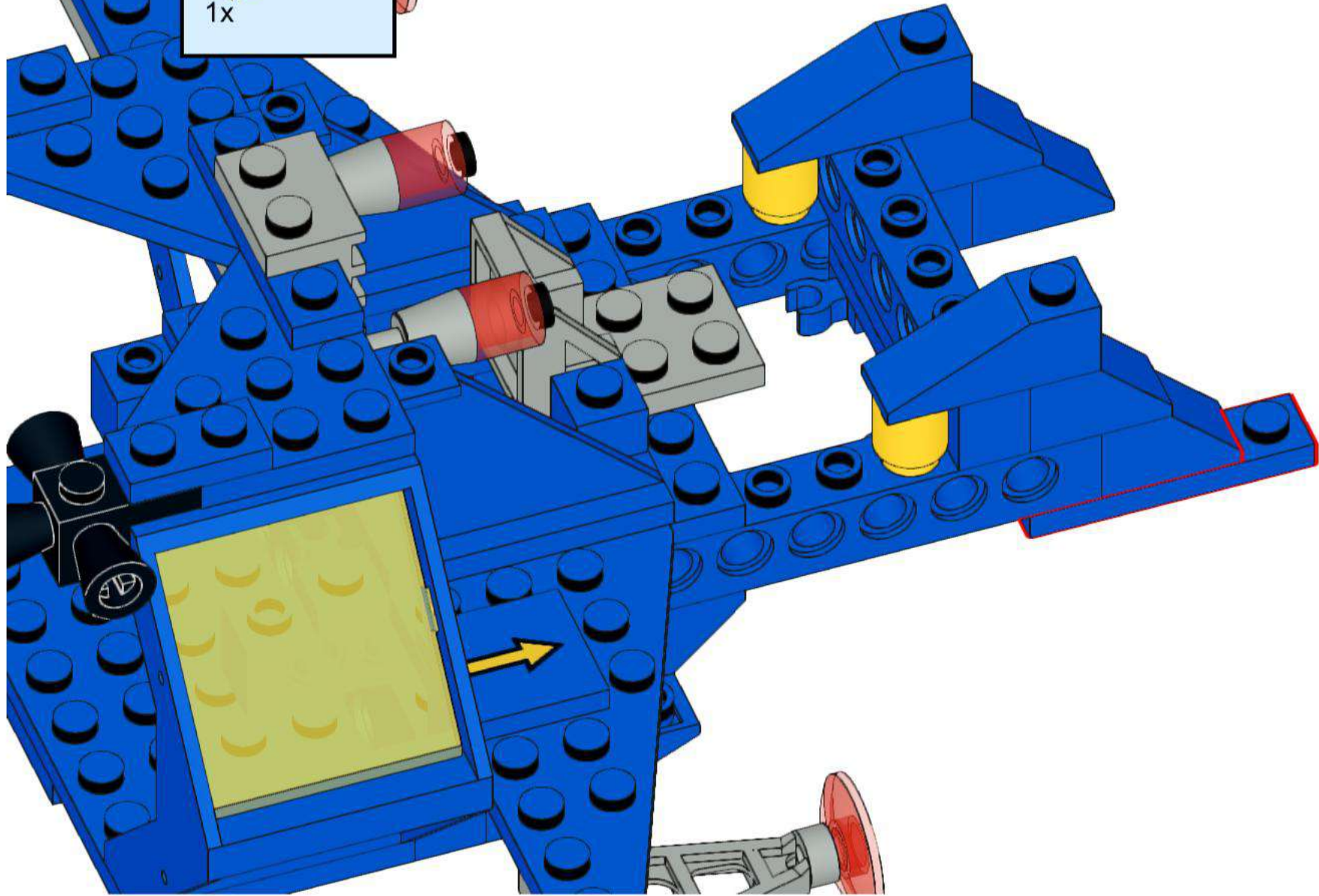
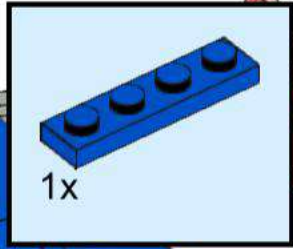
# 28



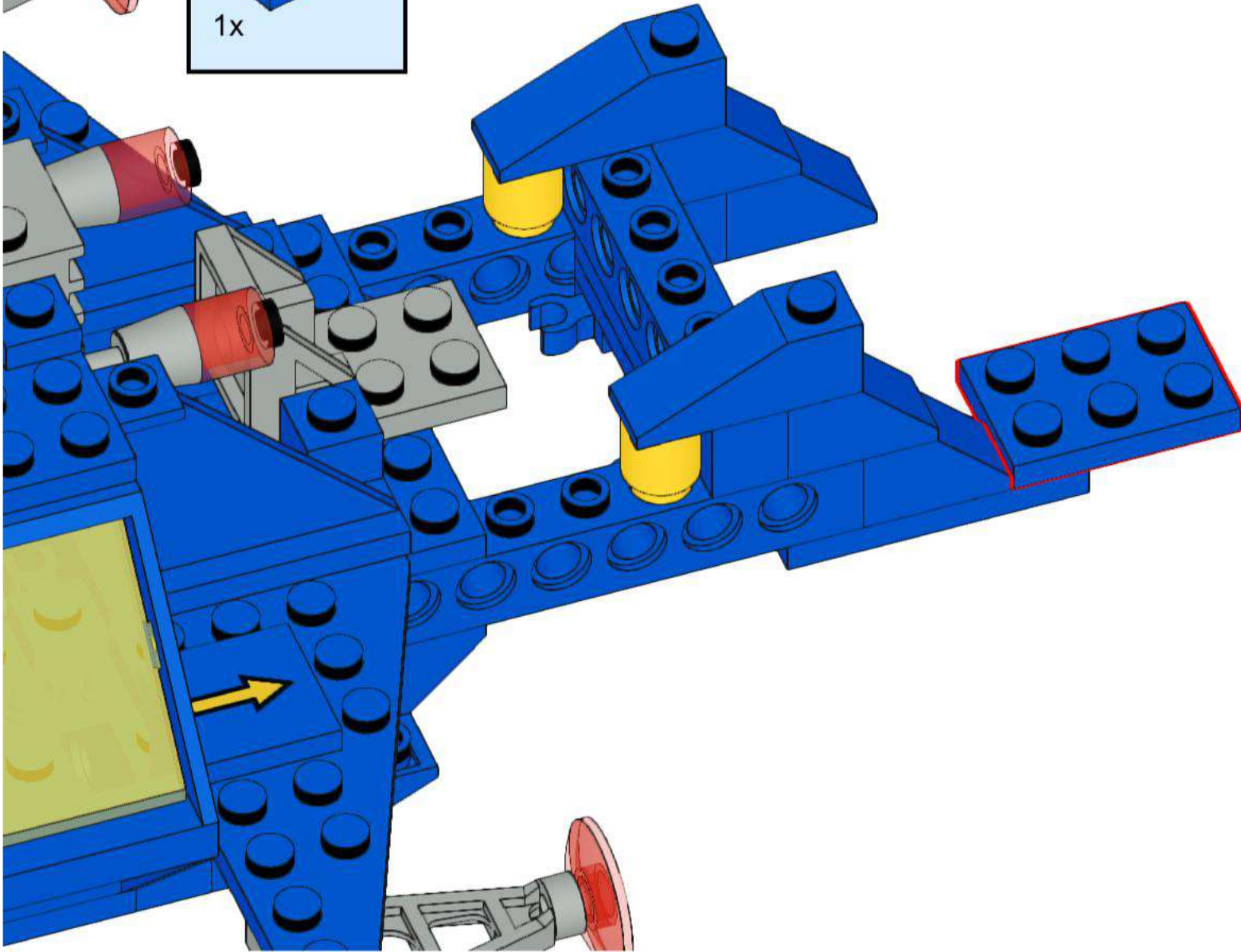
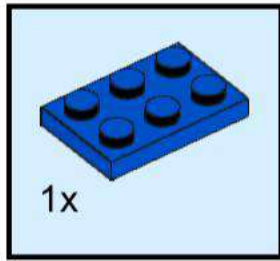
29



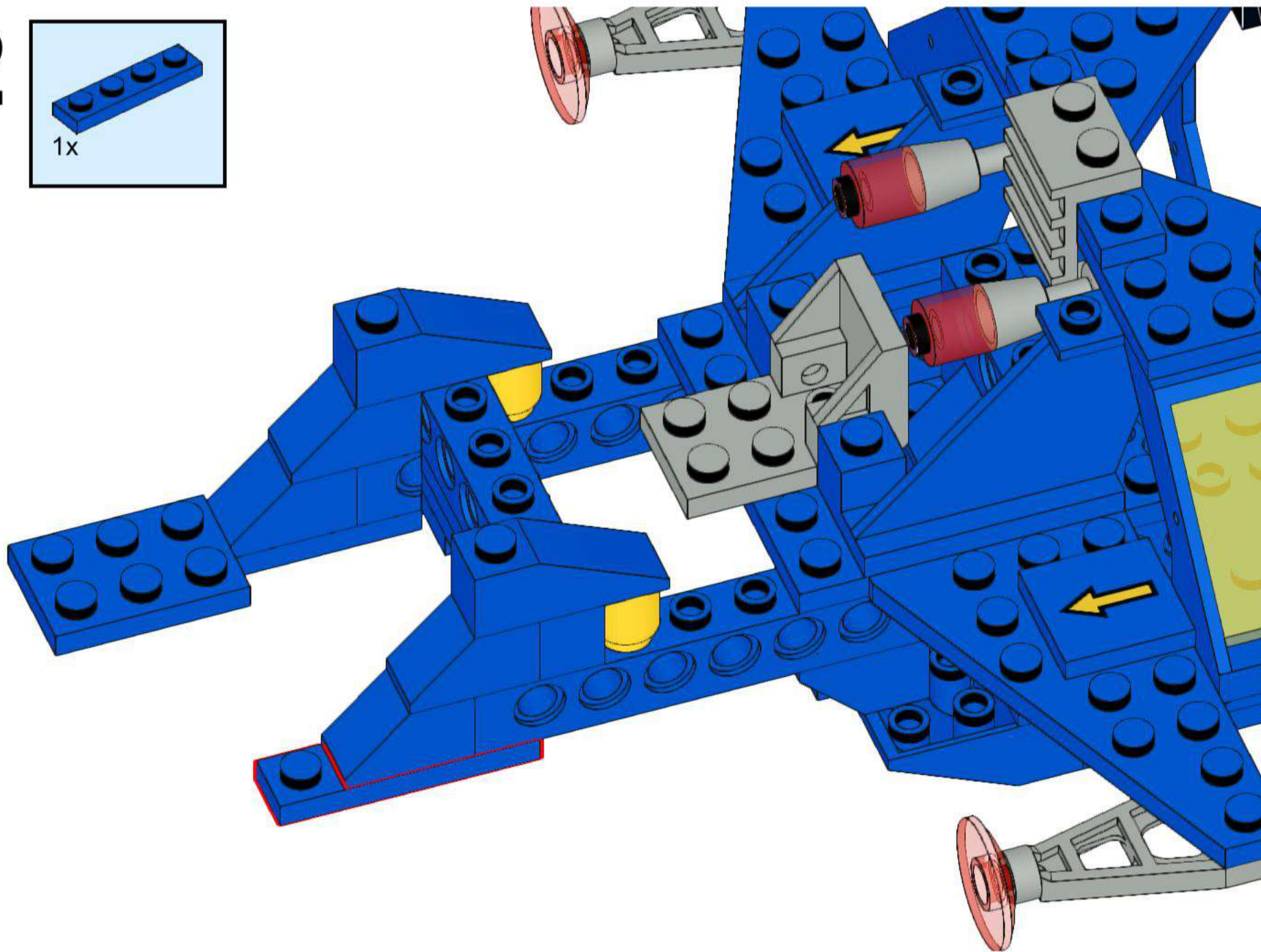
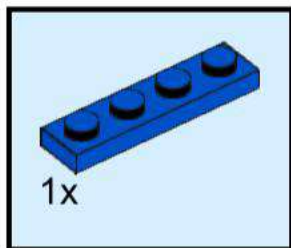
30



31

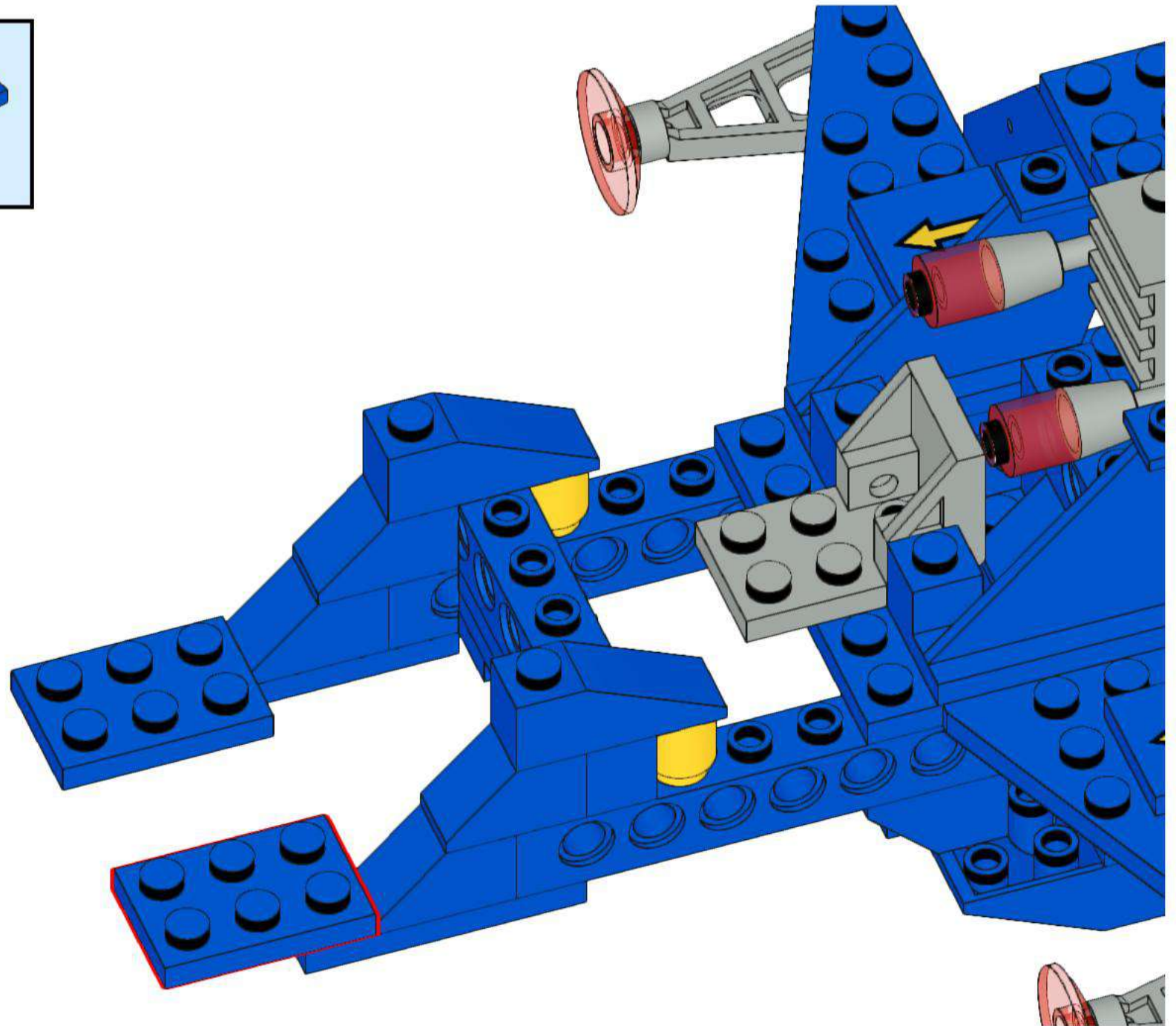
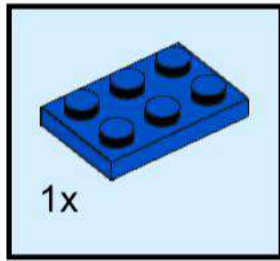


# 32

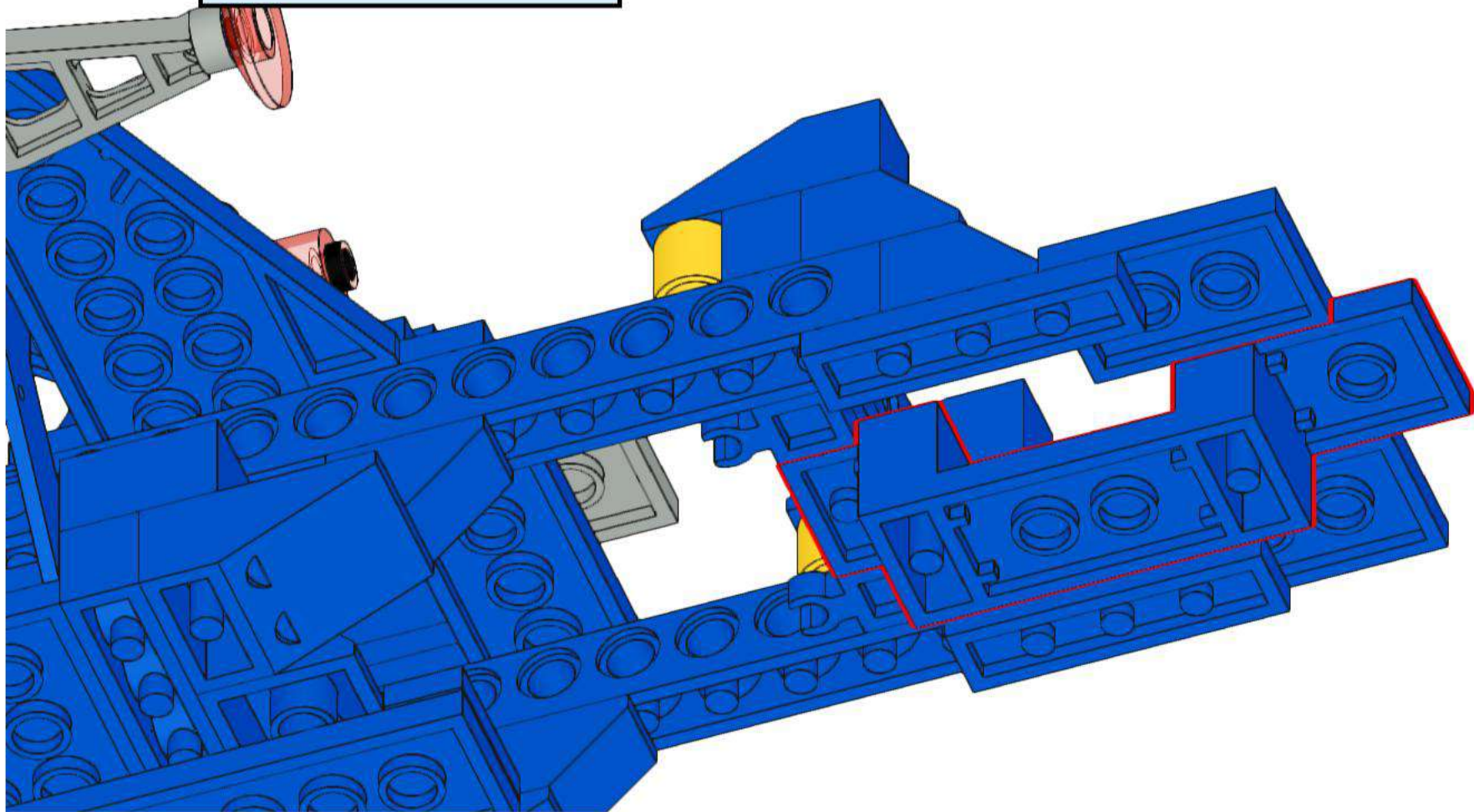
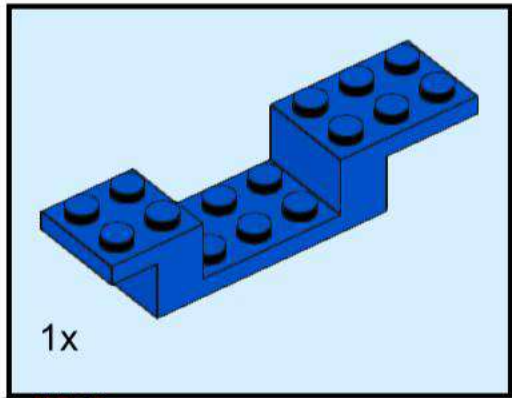




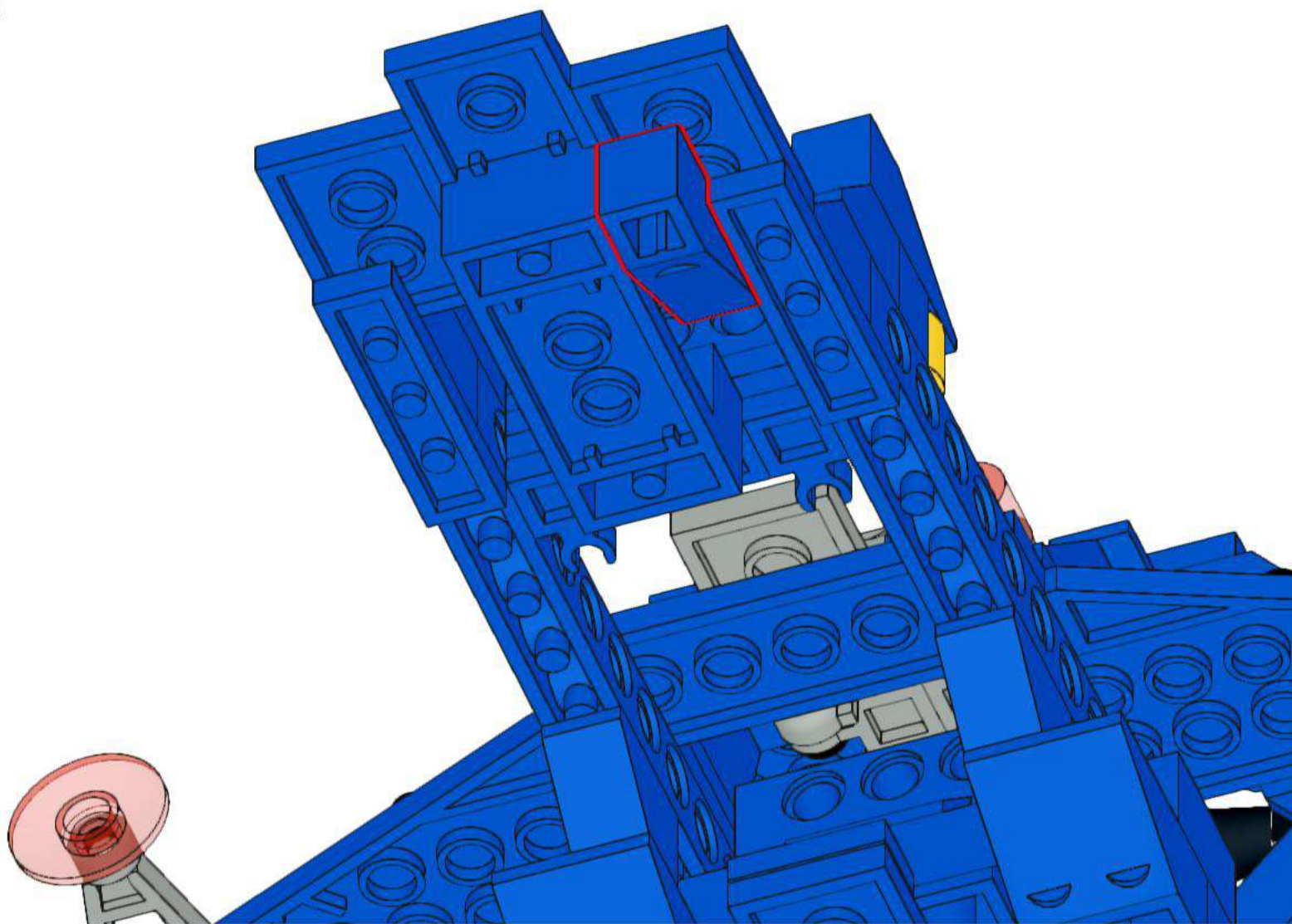
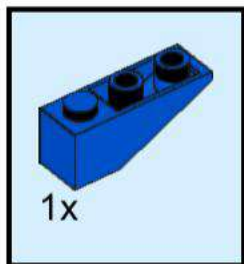
# 33



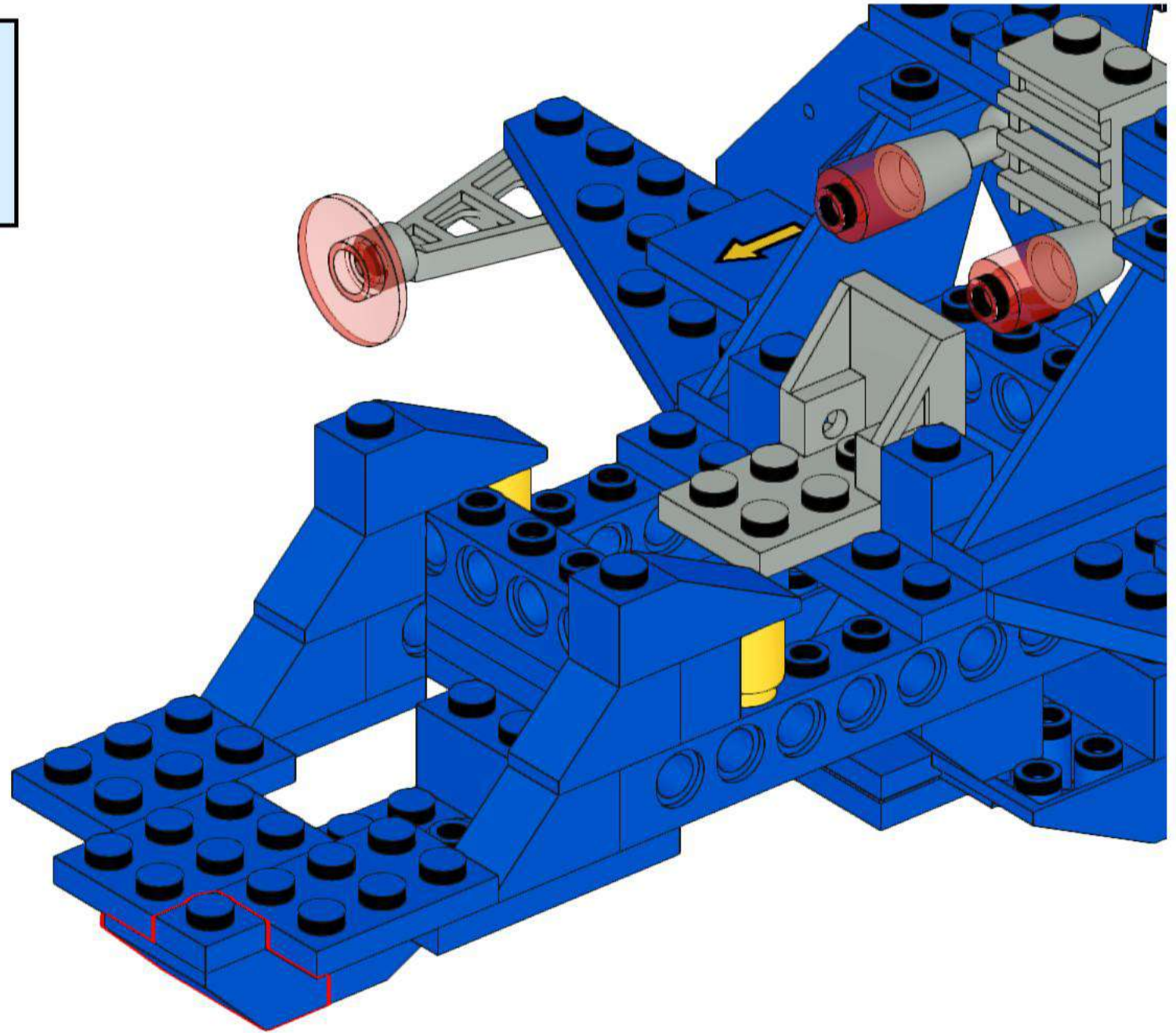
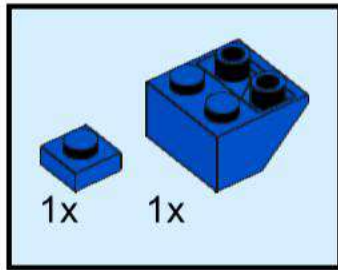
# 34



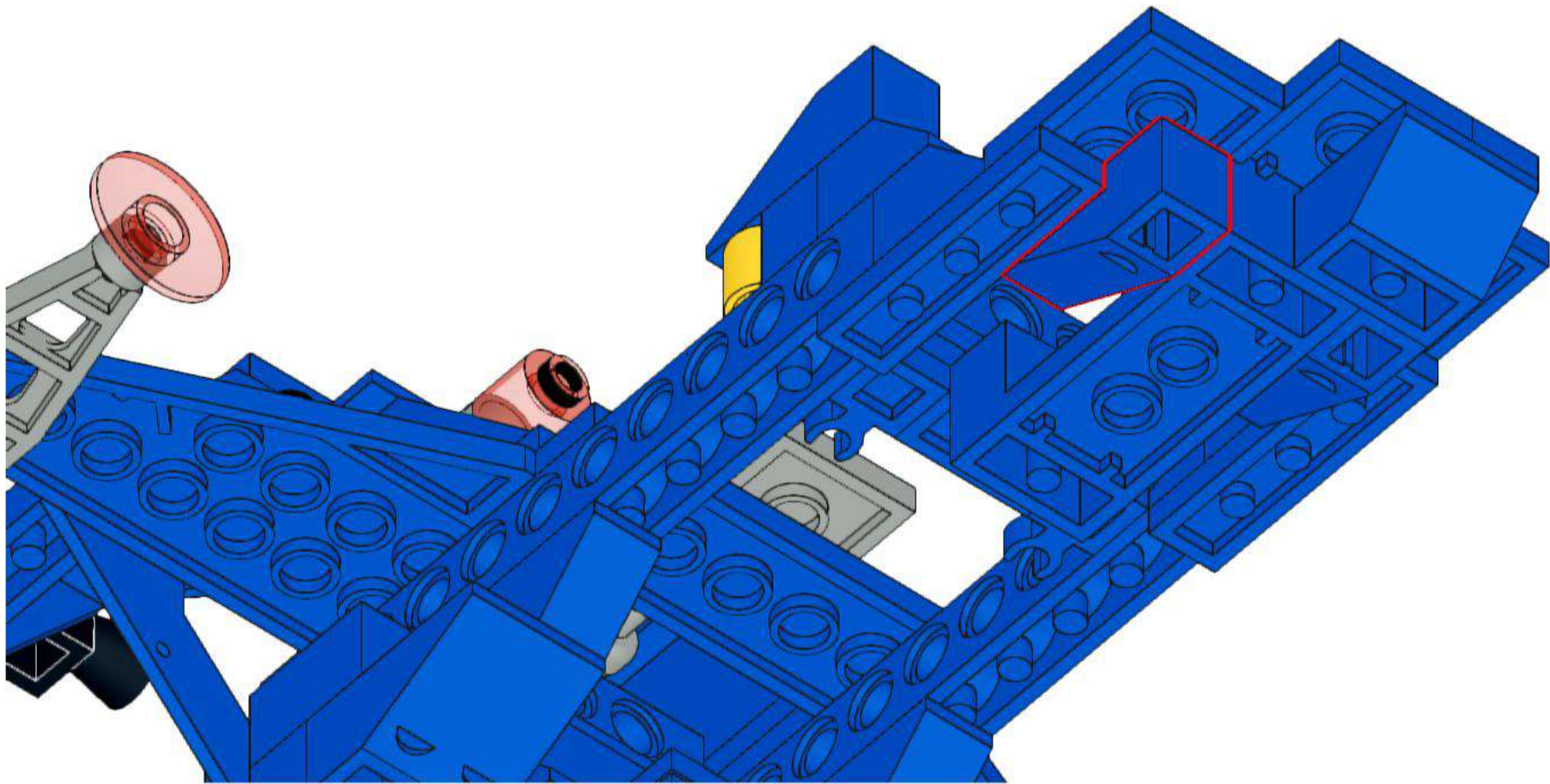
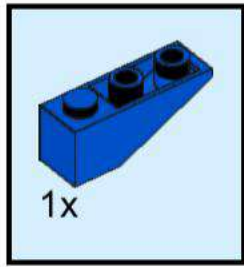
# 35



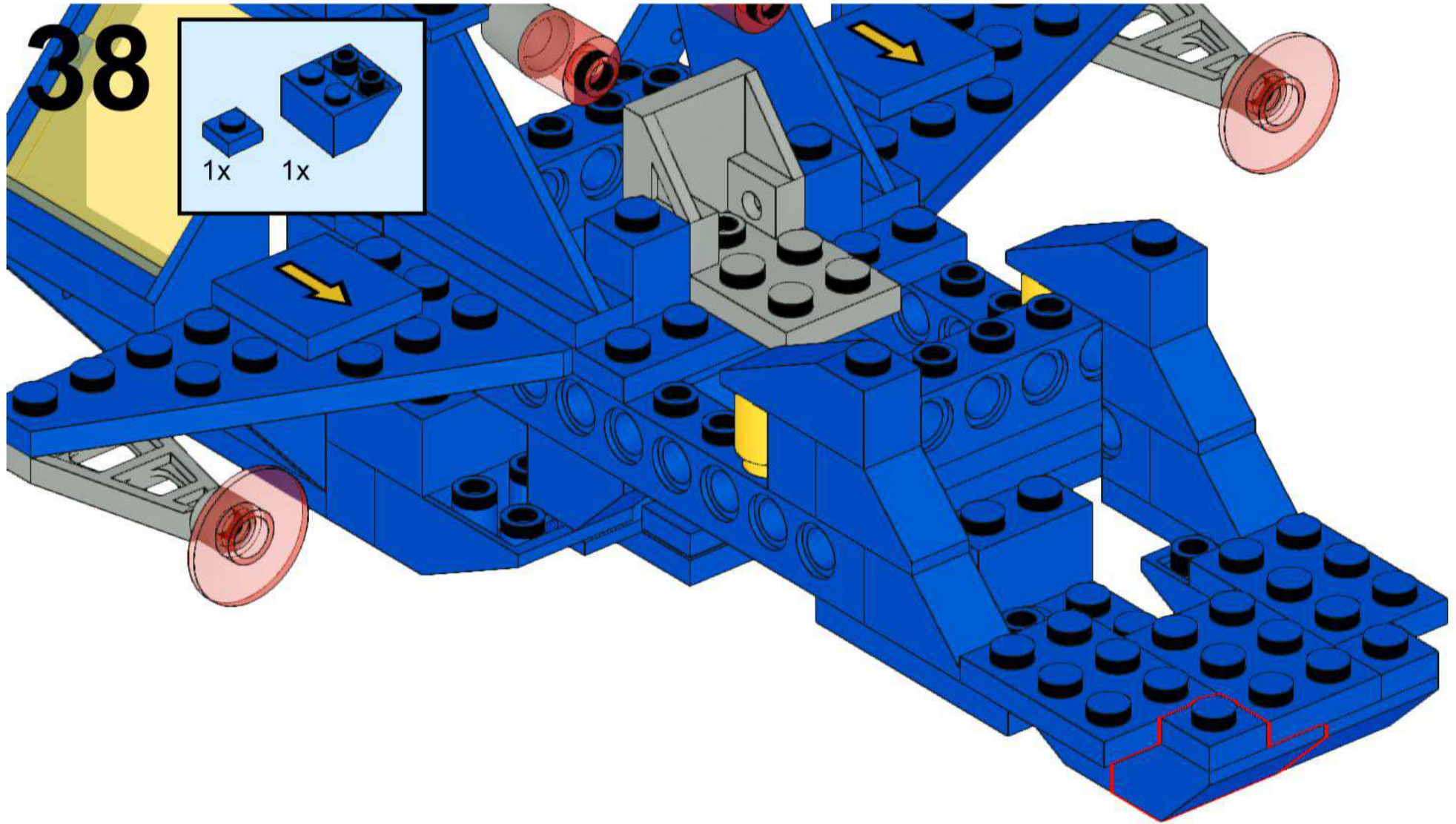
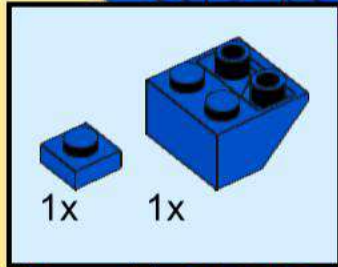
# 36



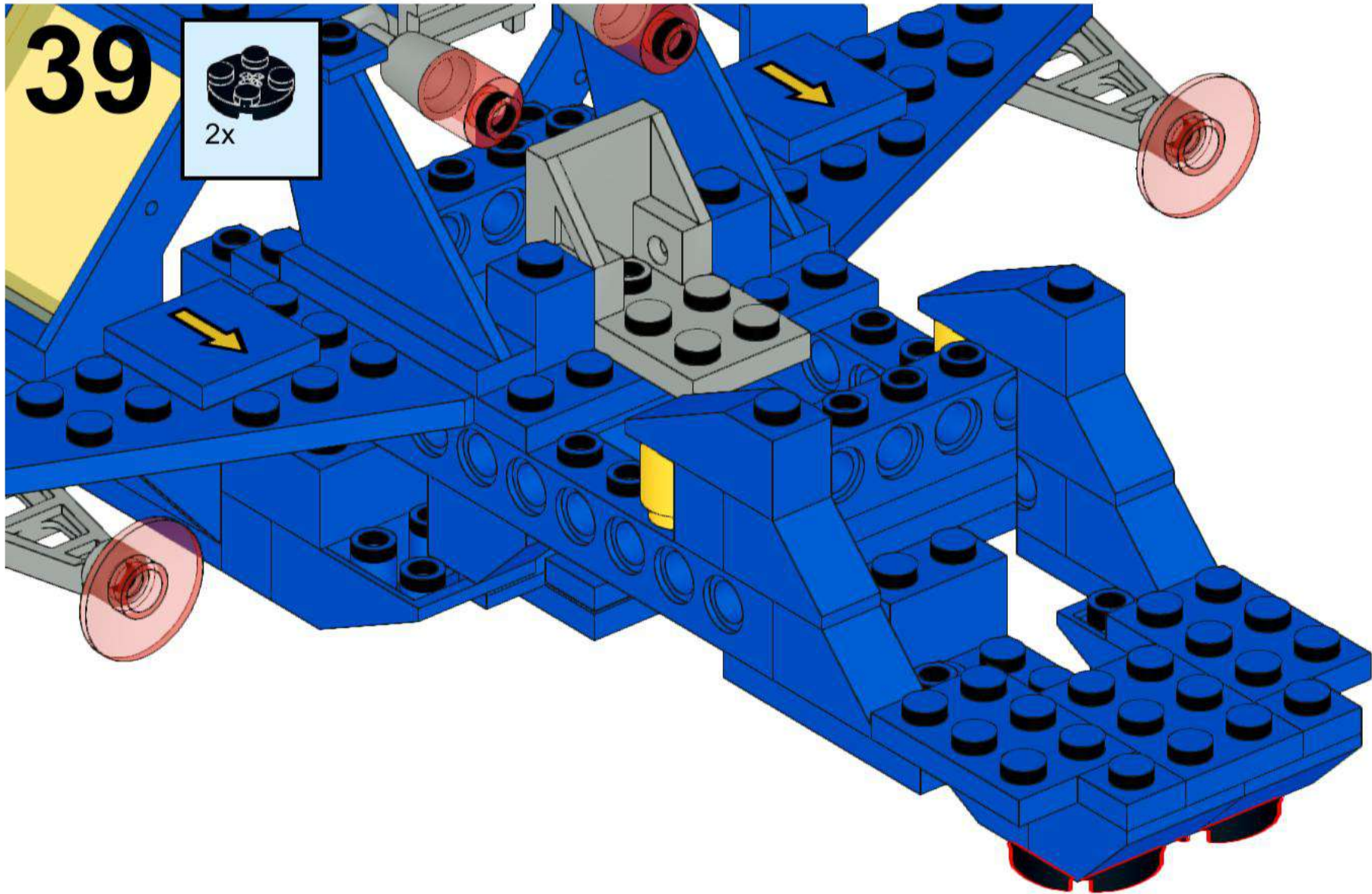
# 37



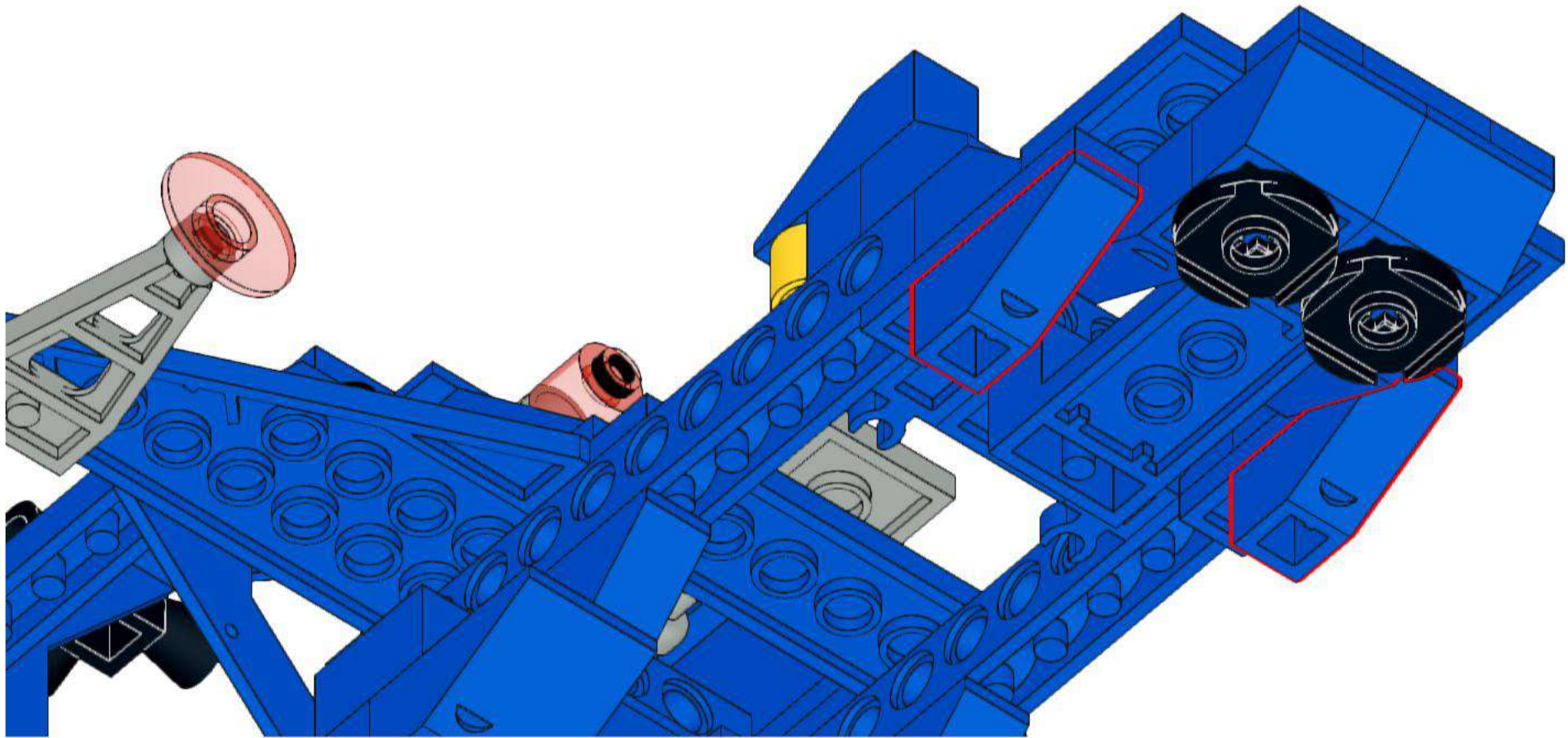
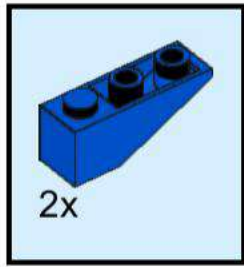
38



39

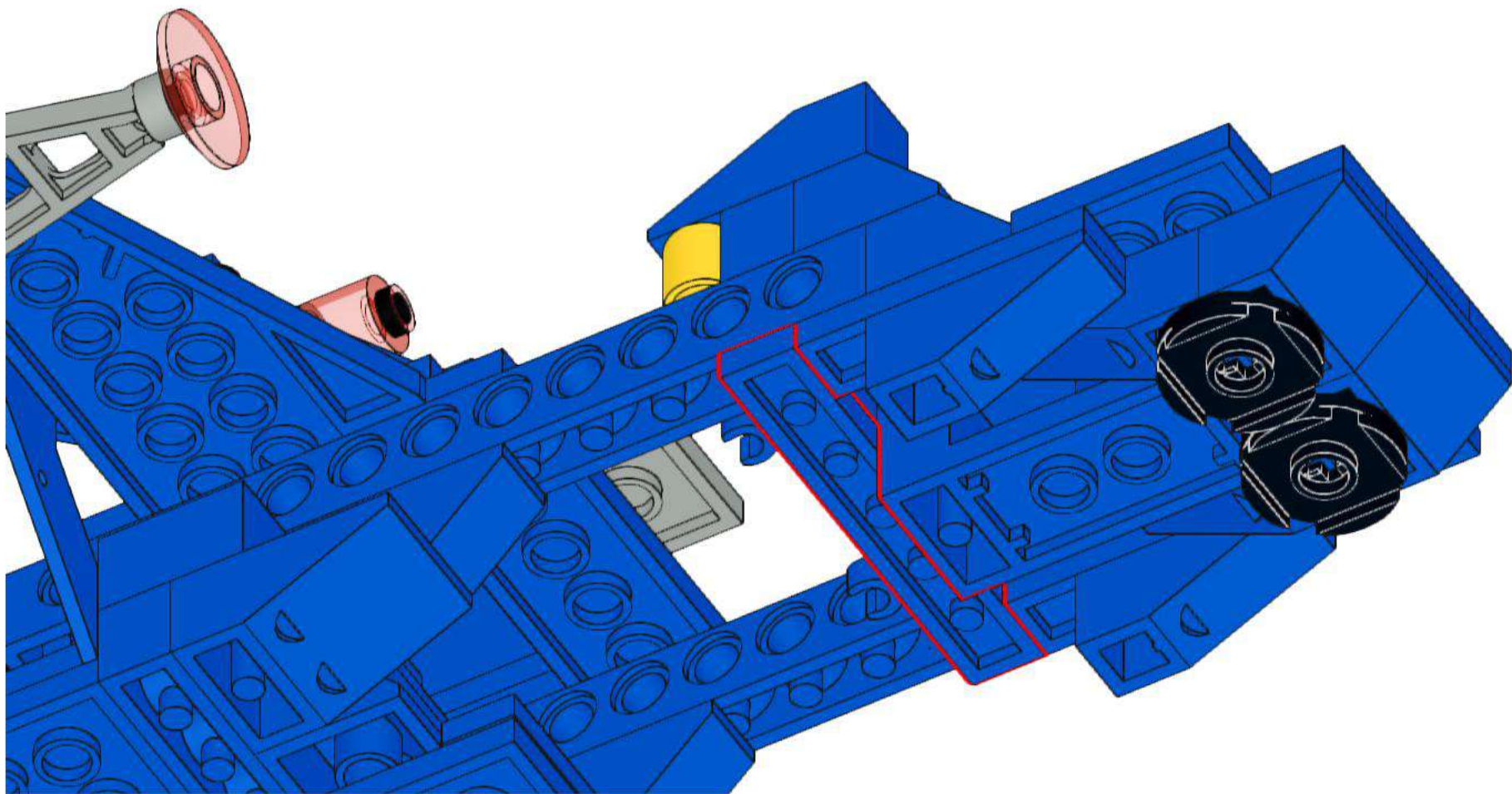
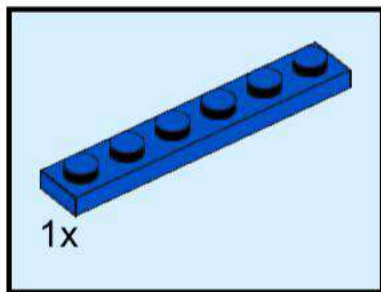


# 40

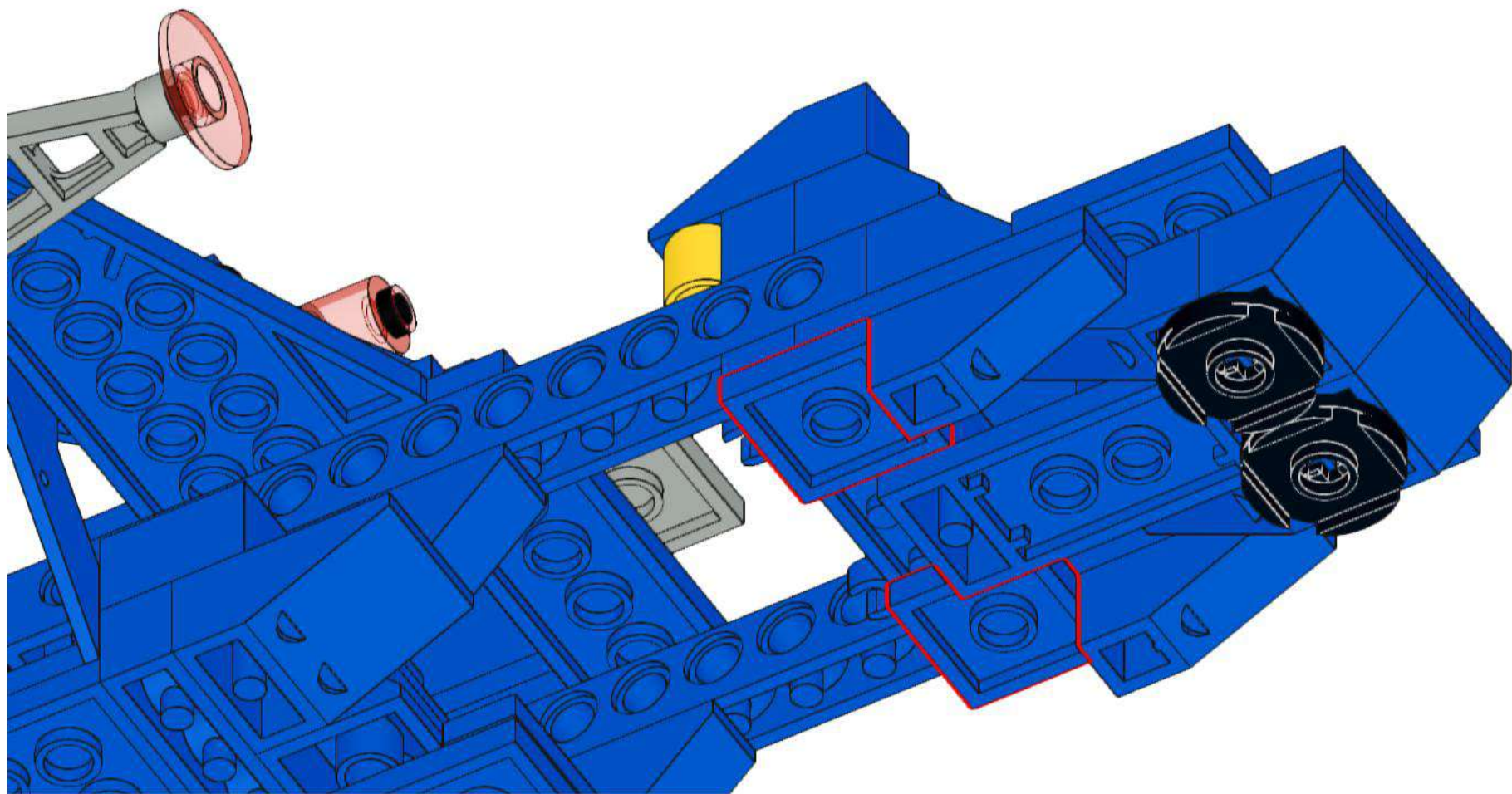
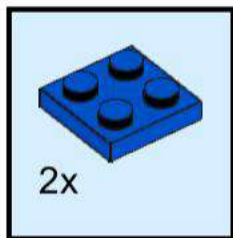




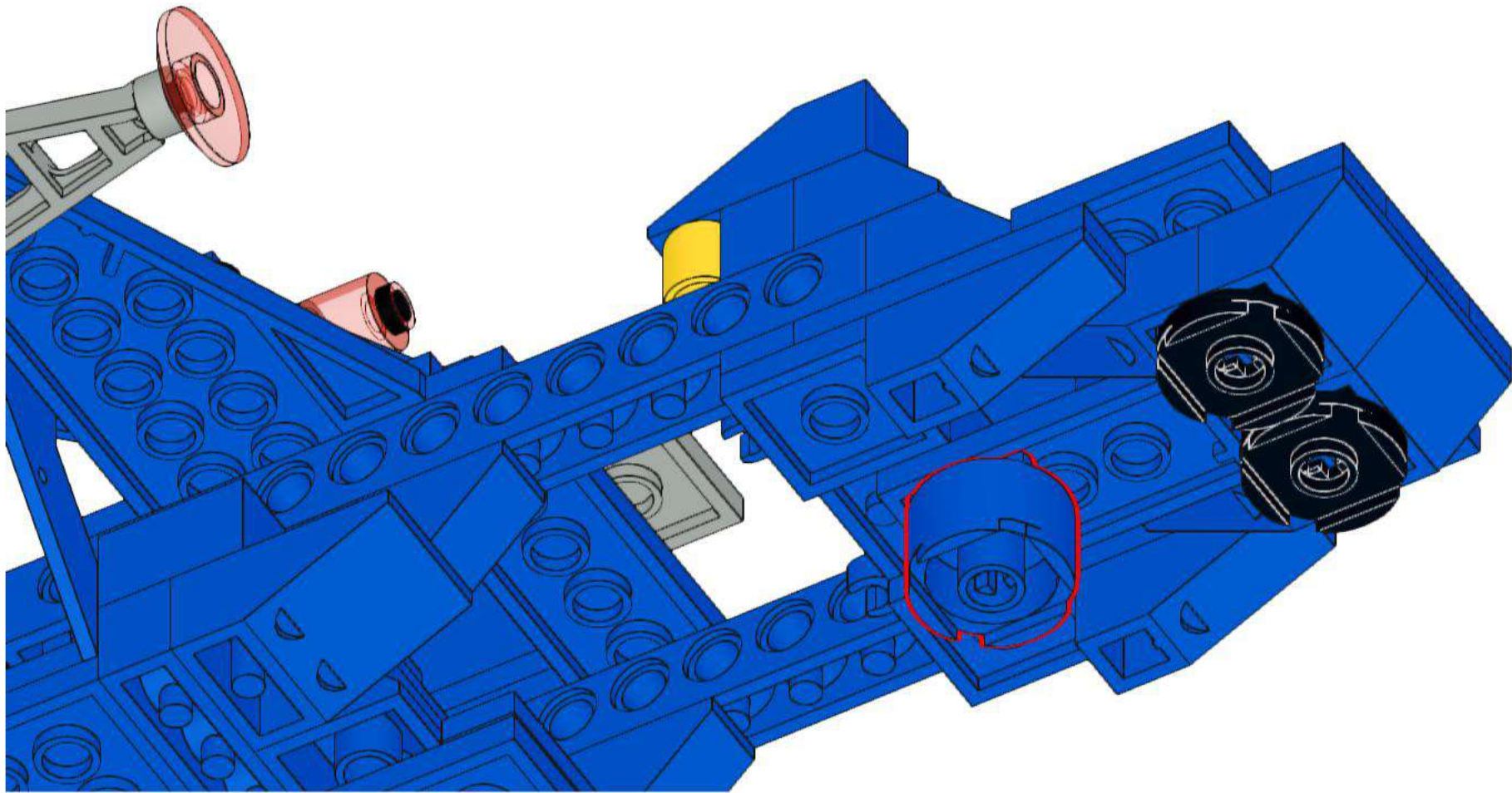
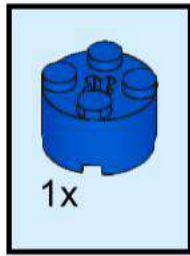
# 41



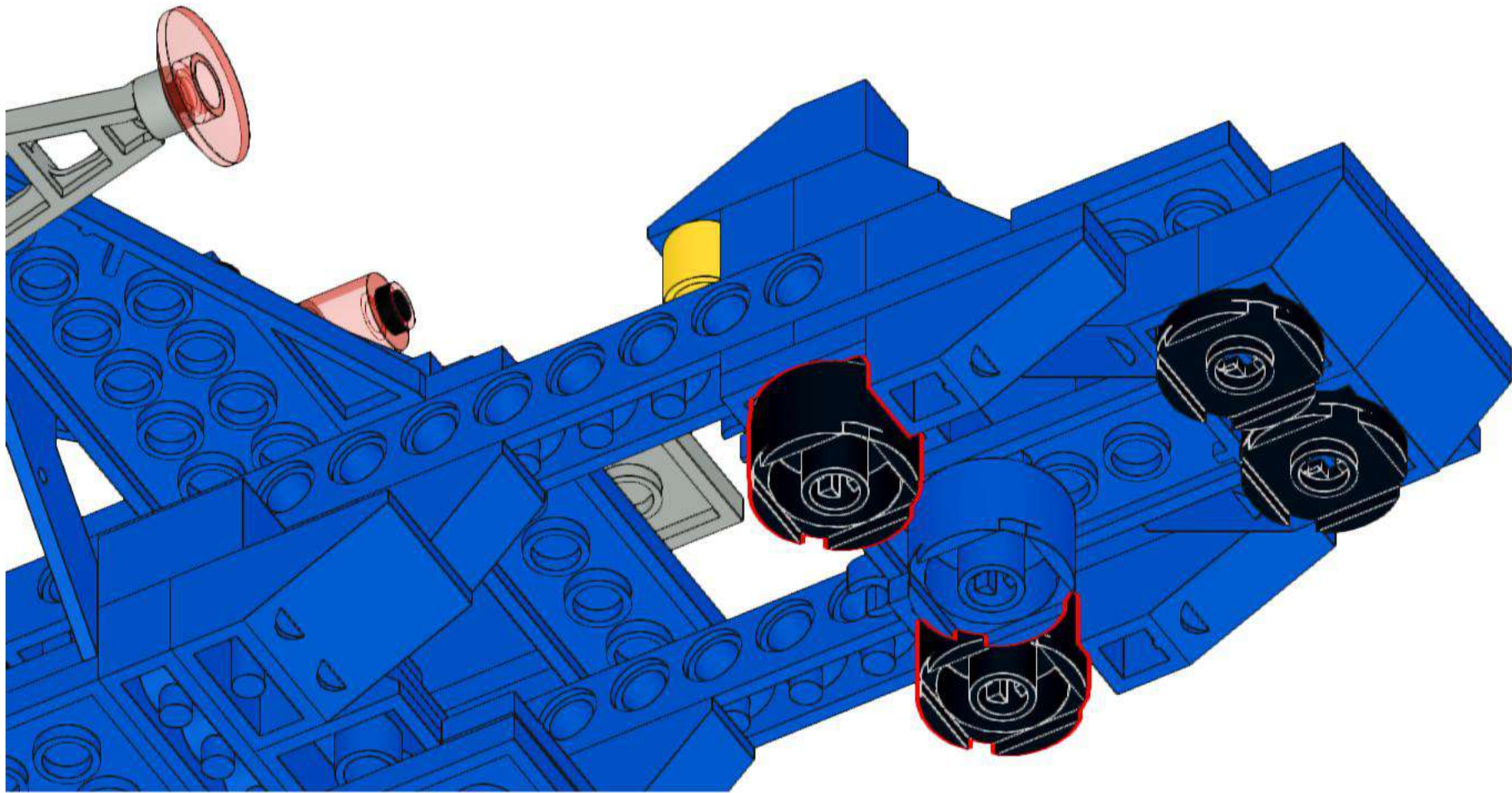
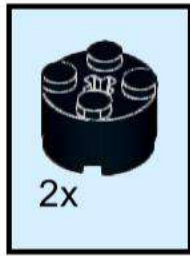
# 42



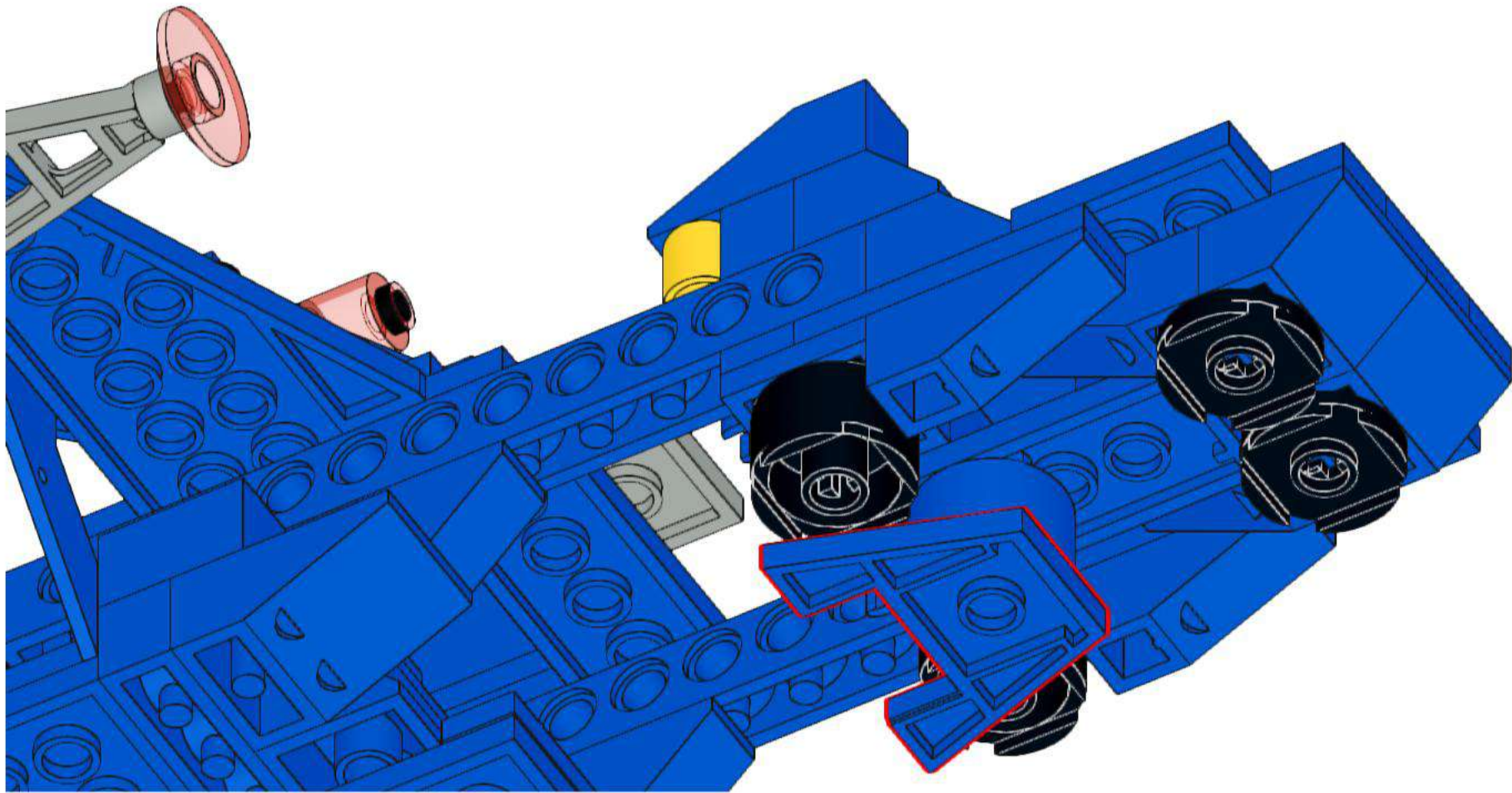
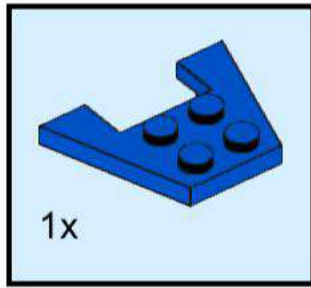
# 43



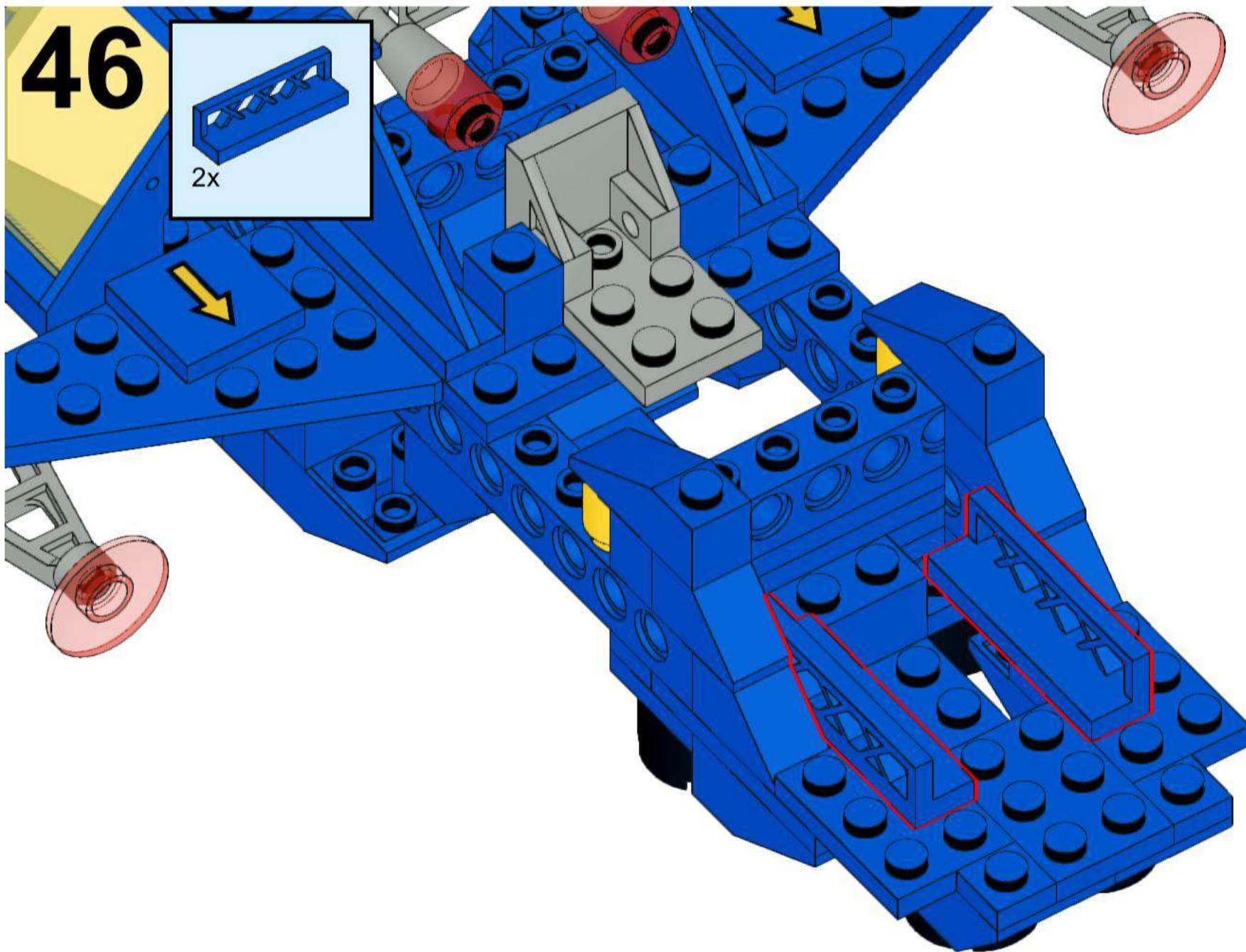
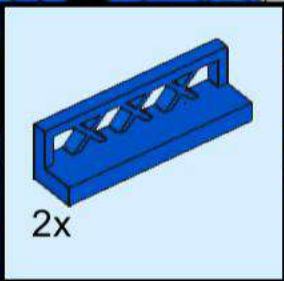
44



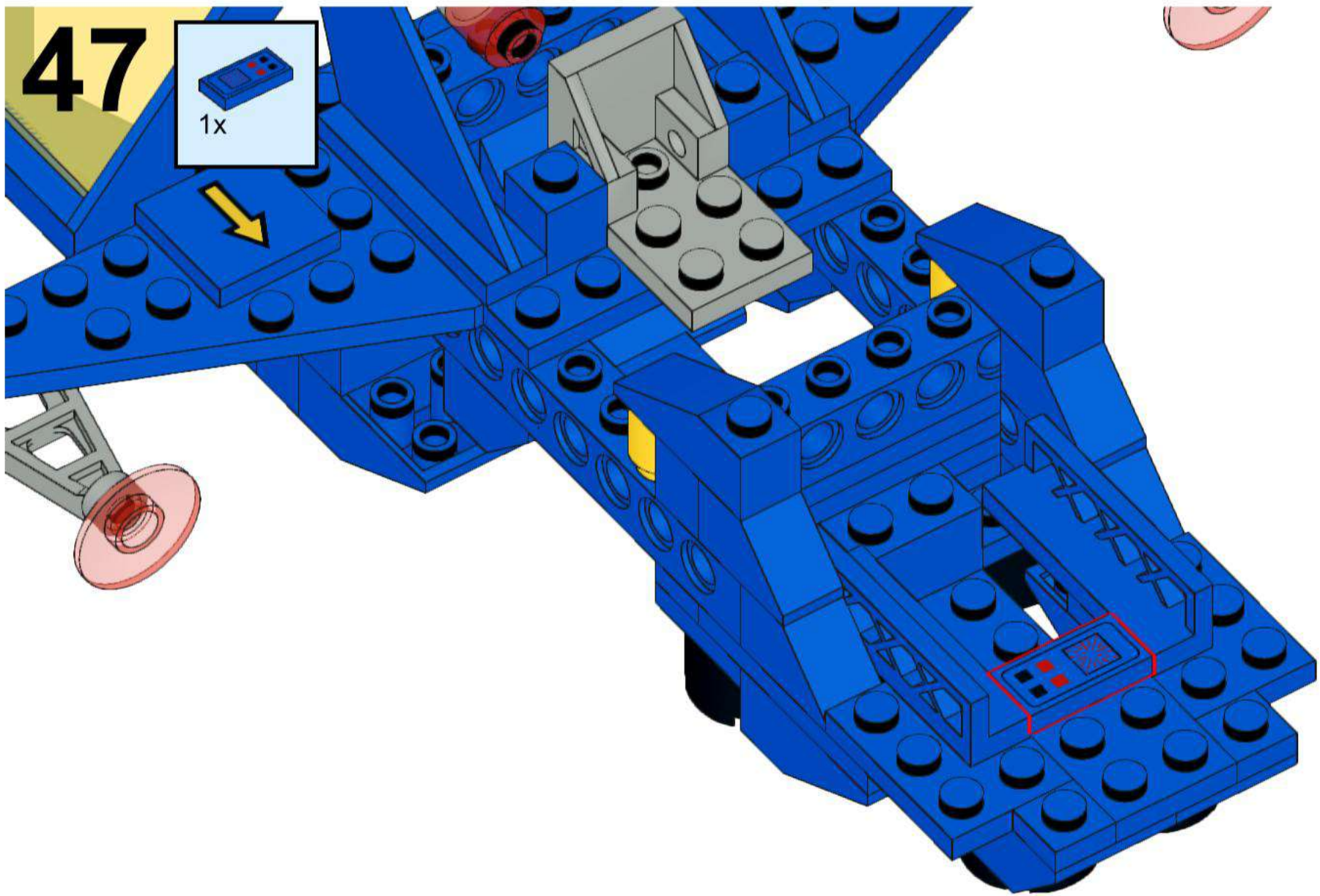
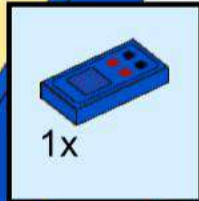
# 45



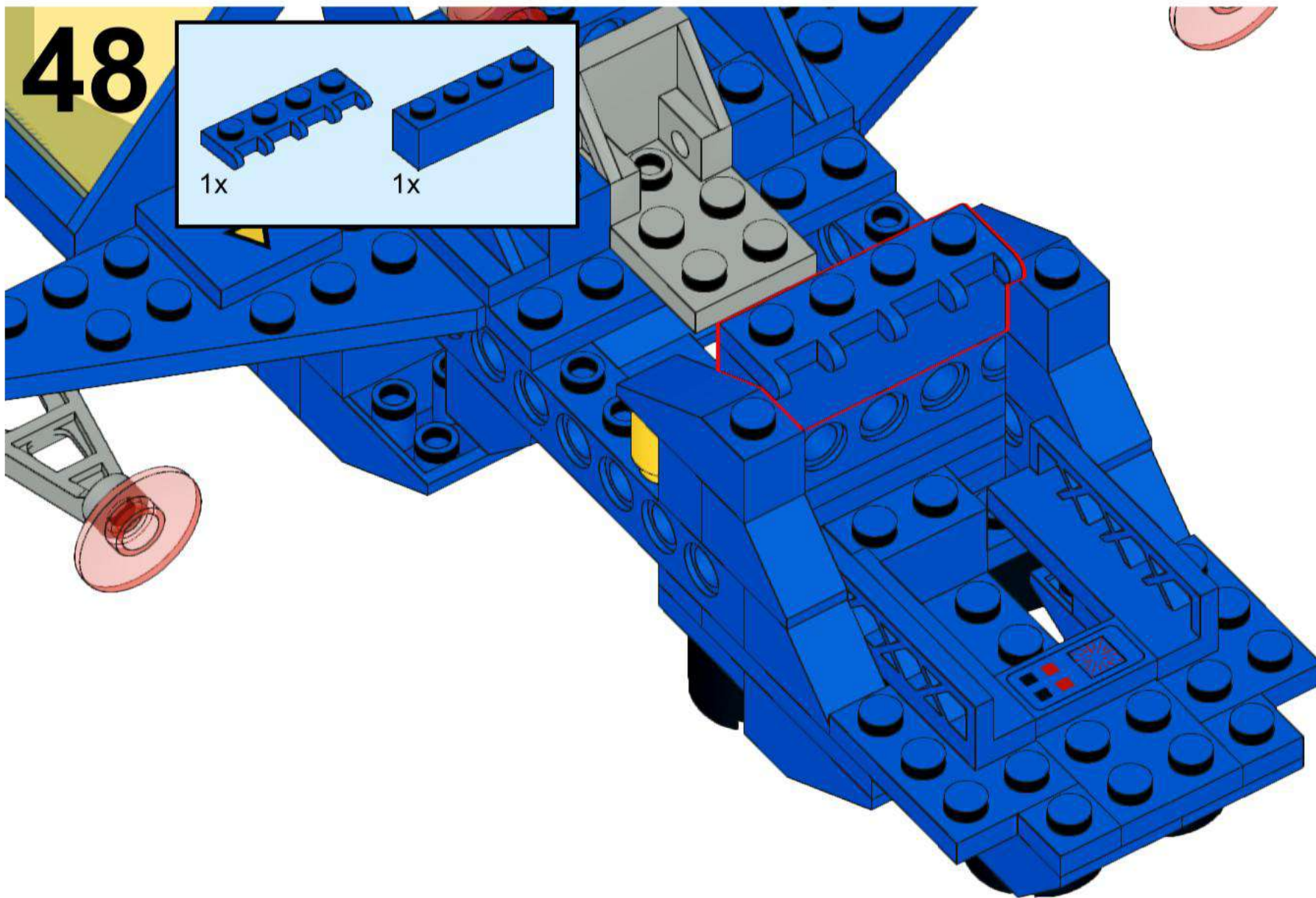
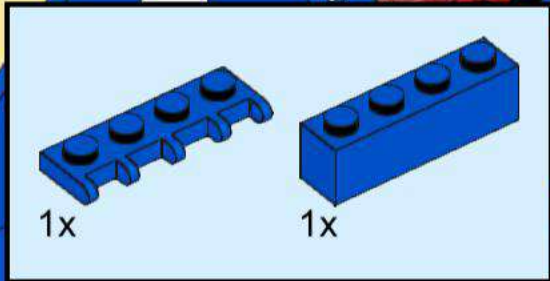
46



47



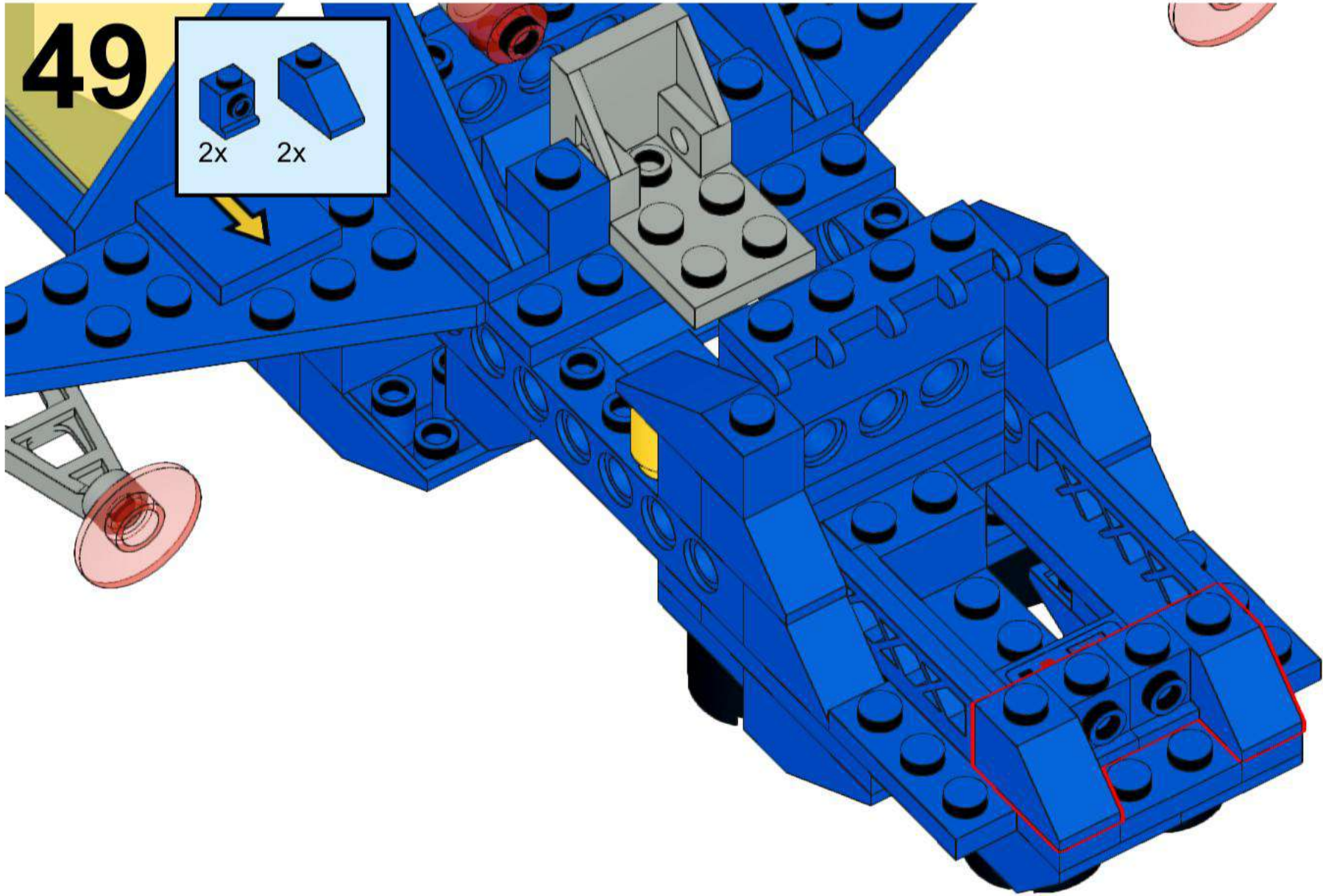
48



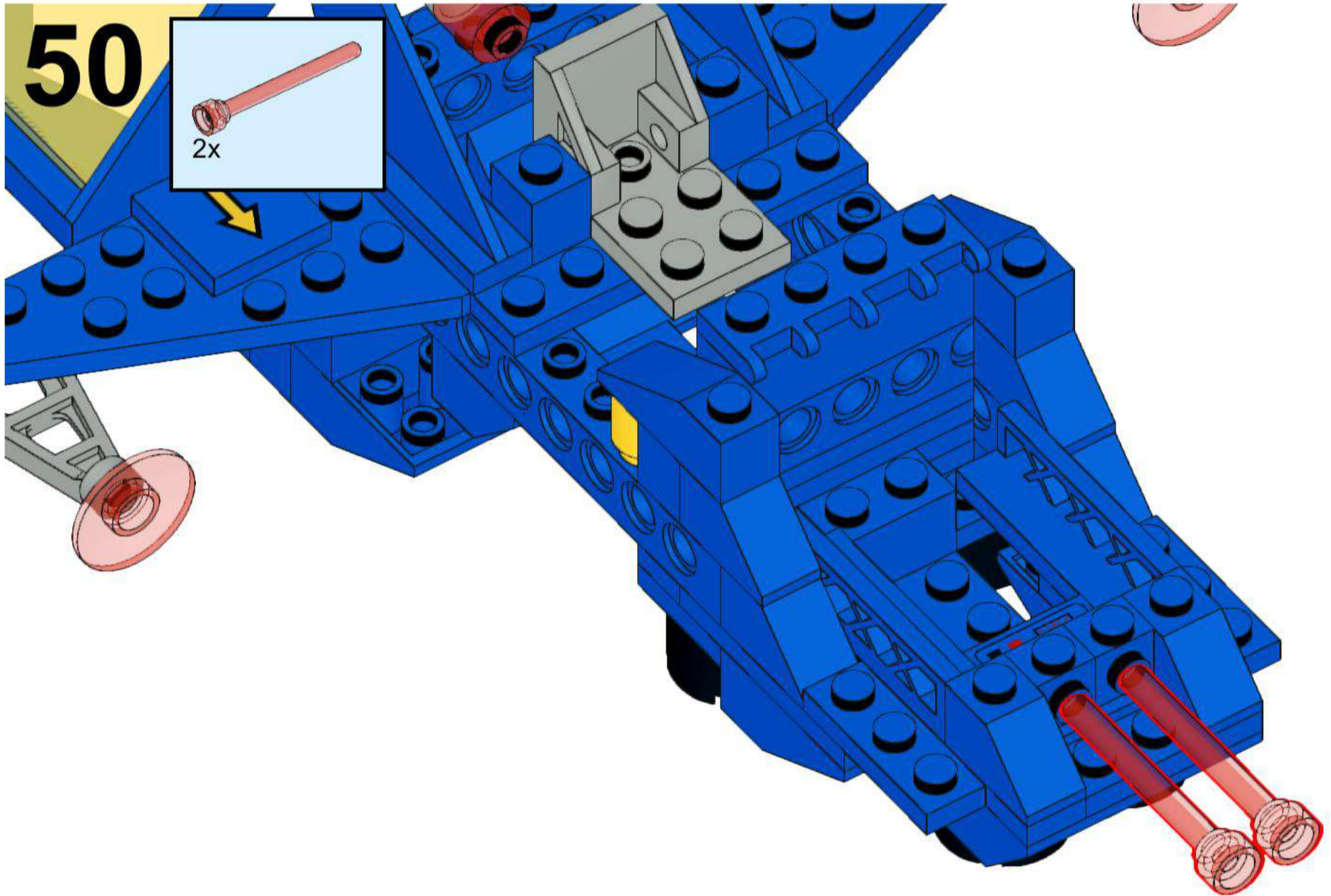
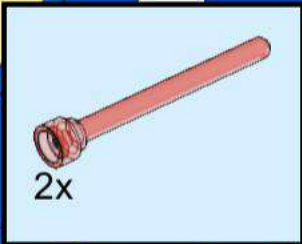


49

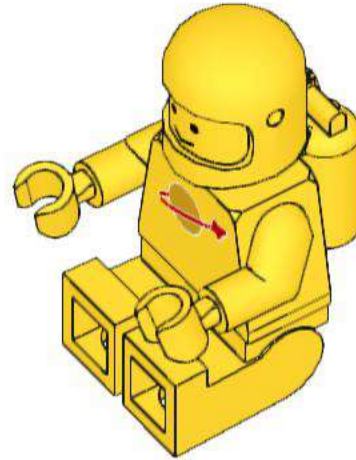
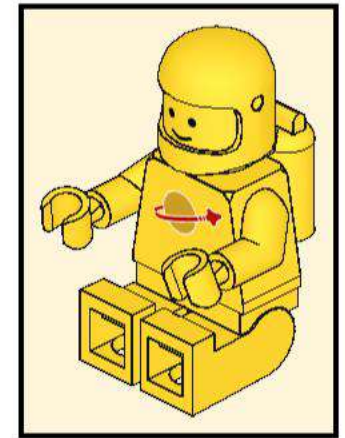
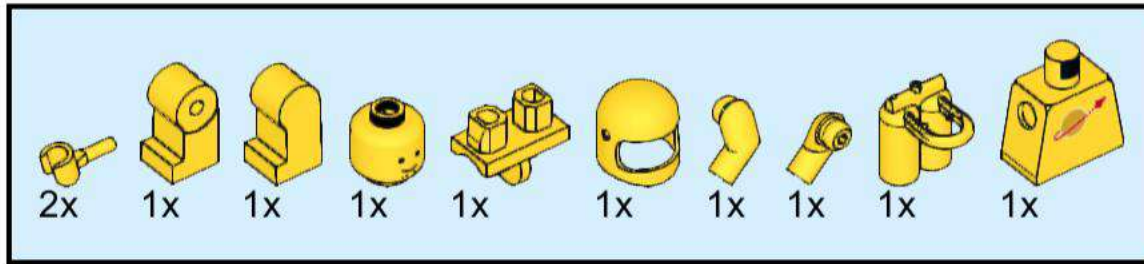
2x 2x

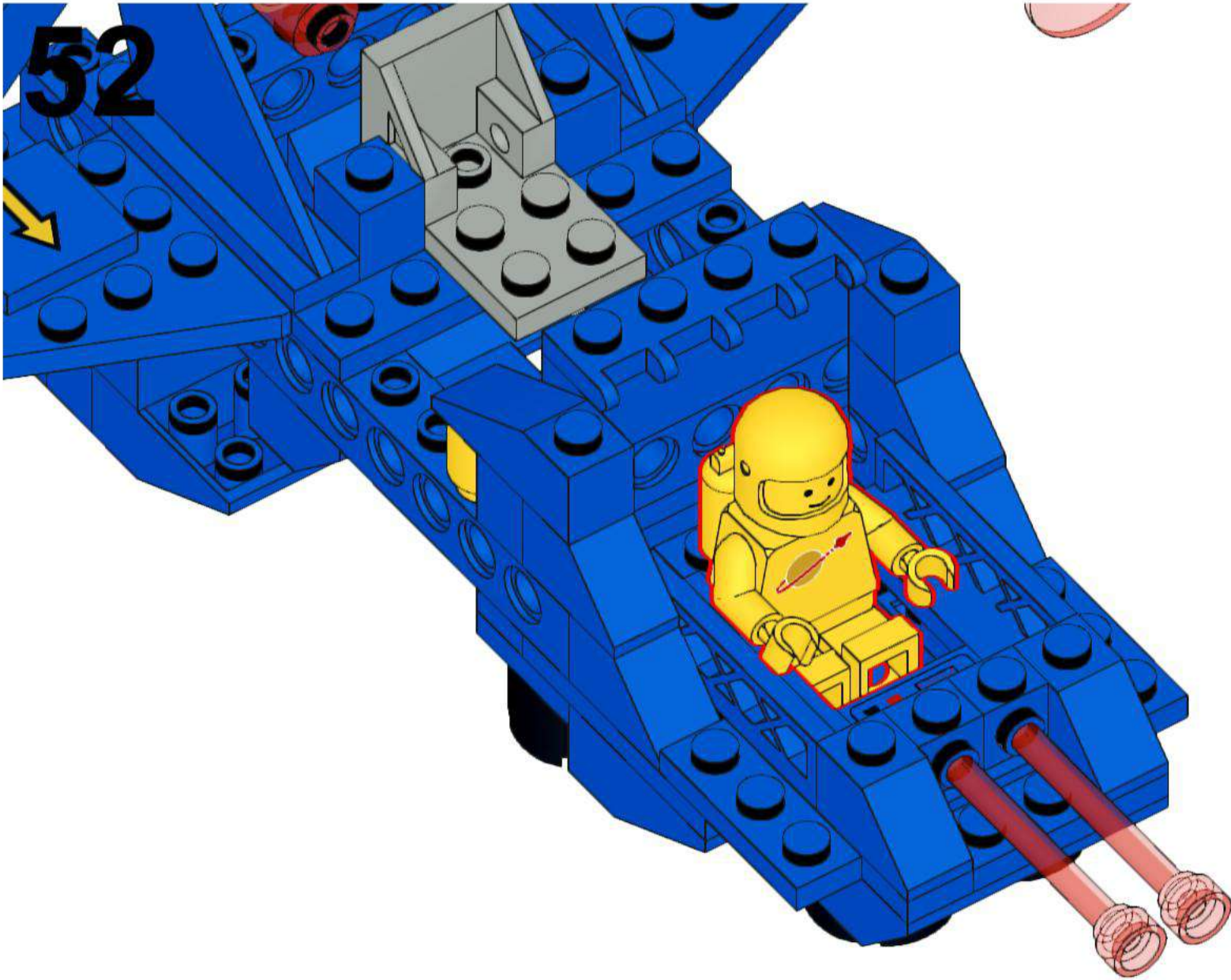


50

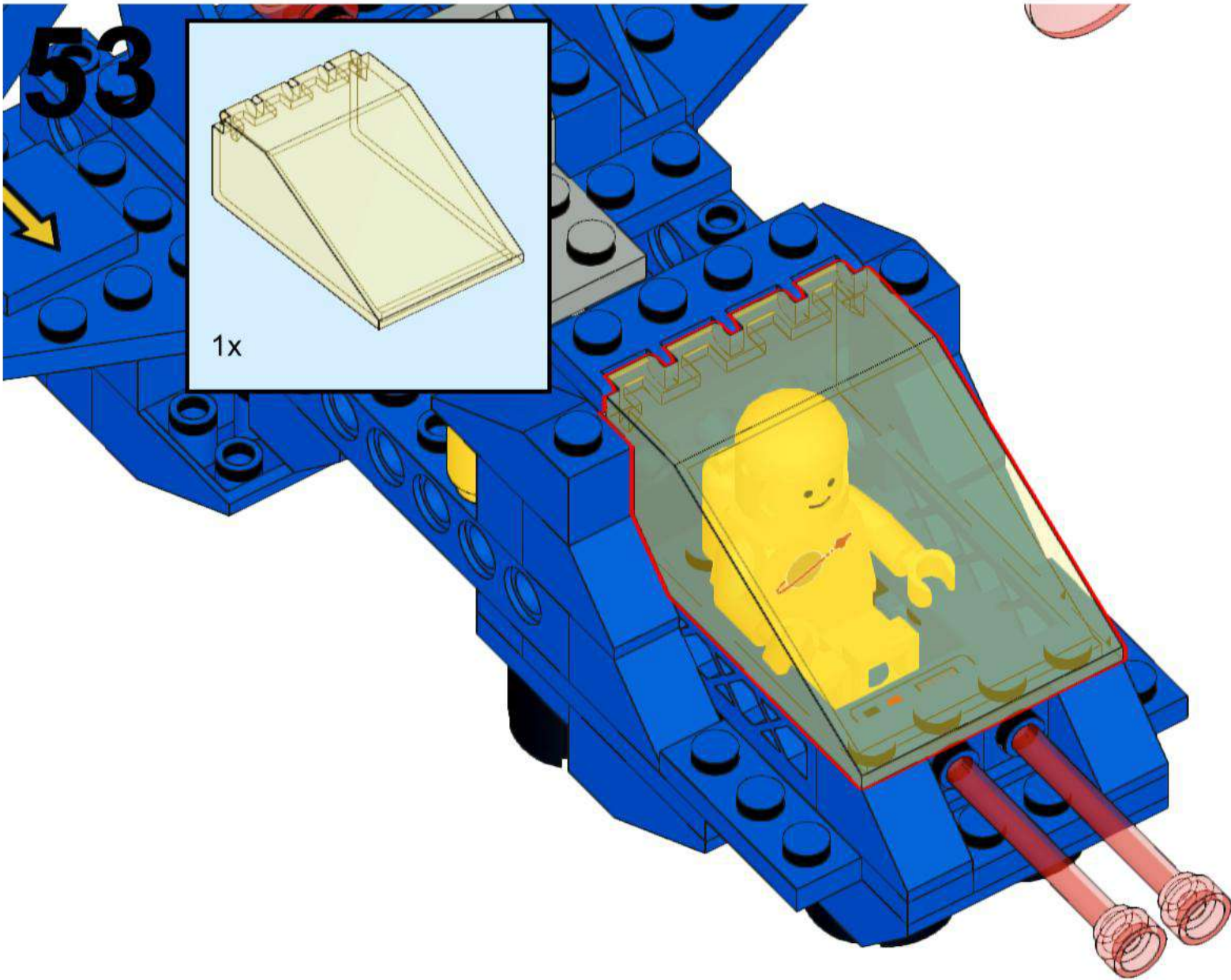
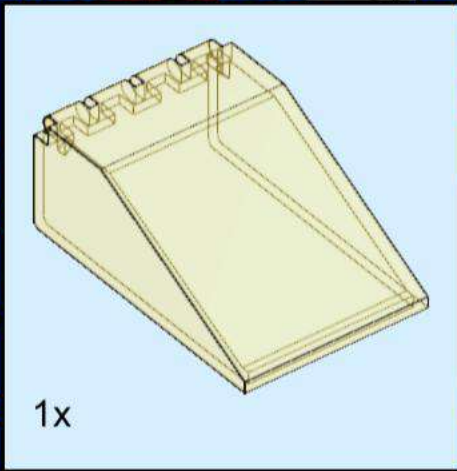


# 51

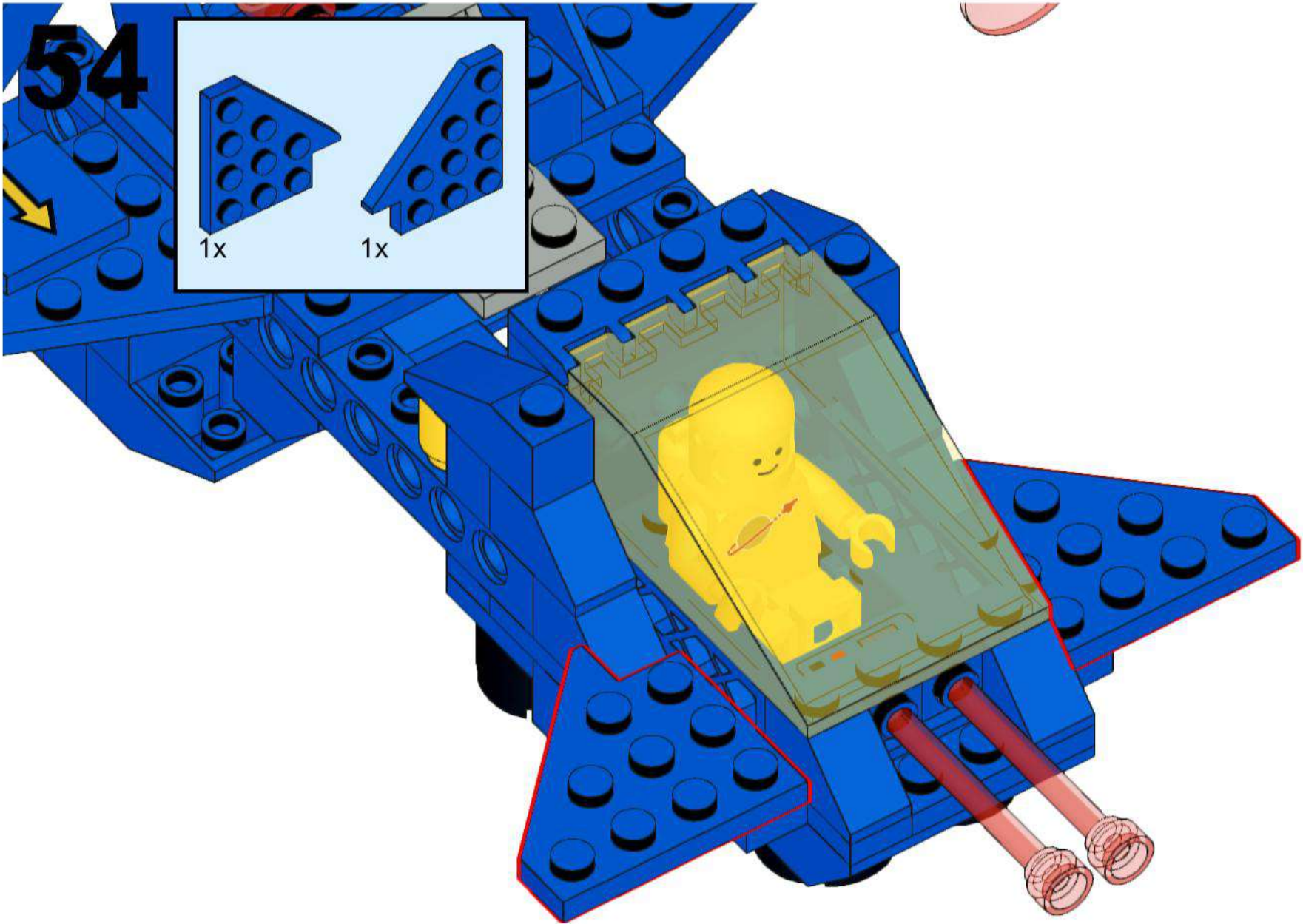
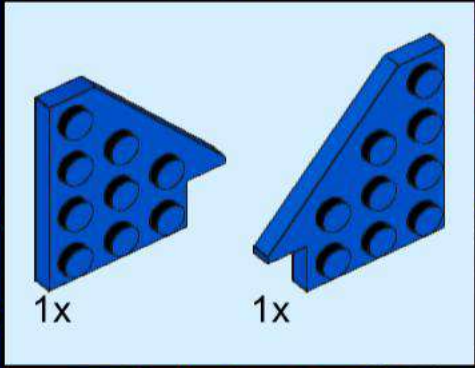




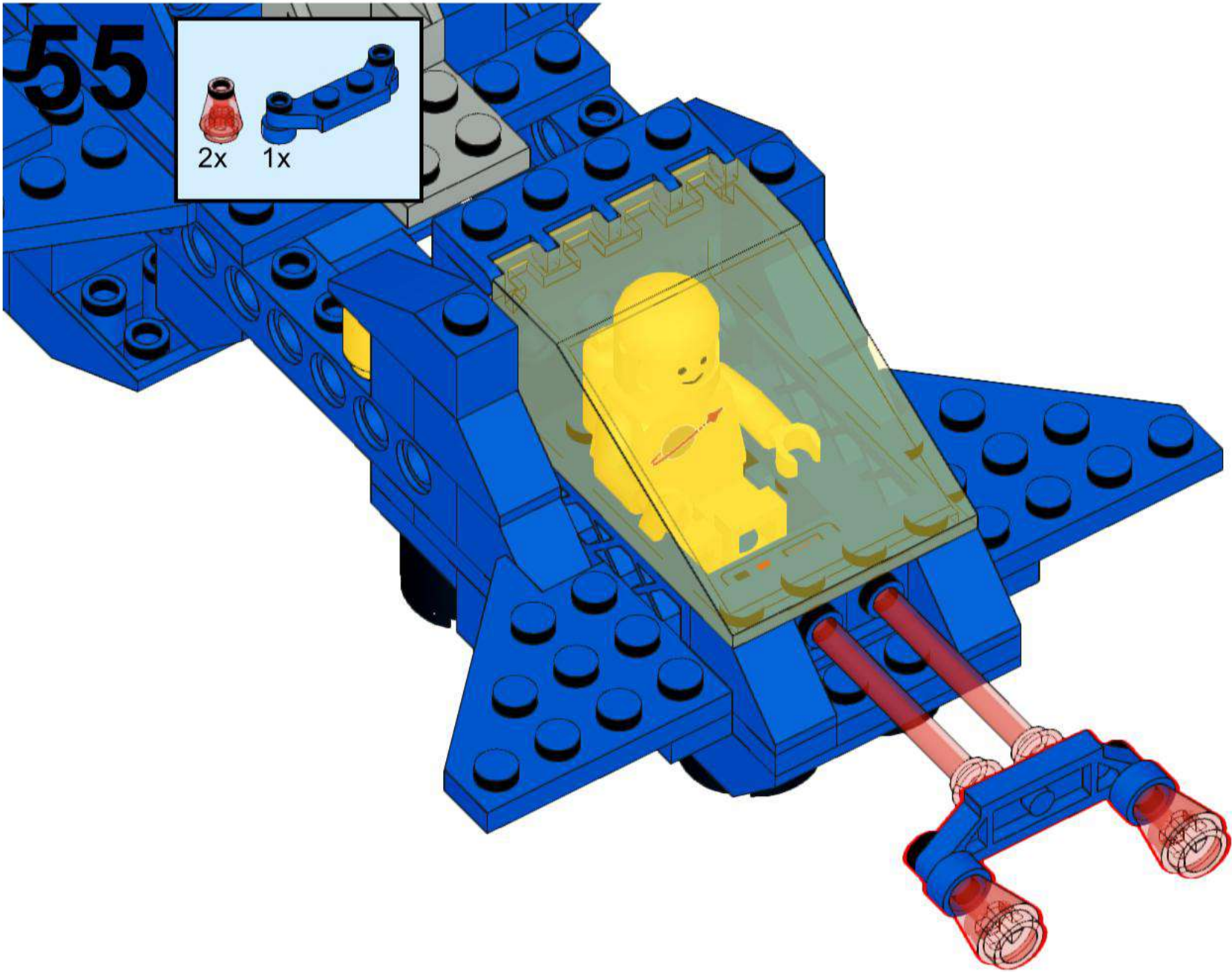
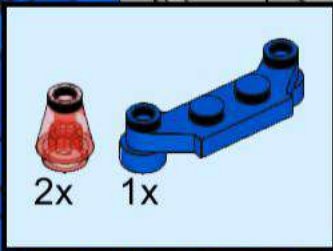
53



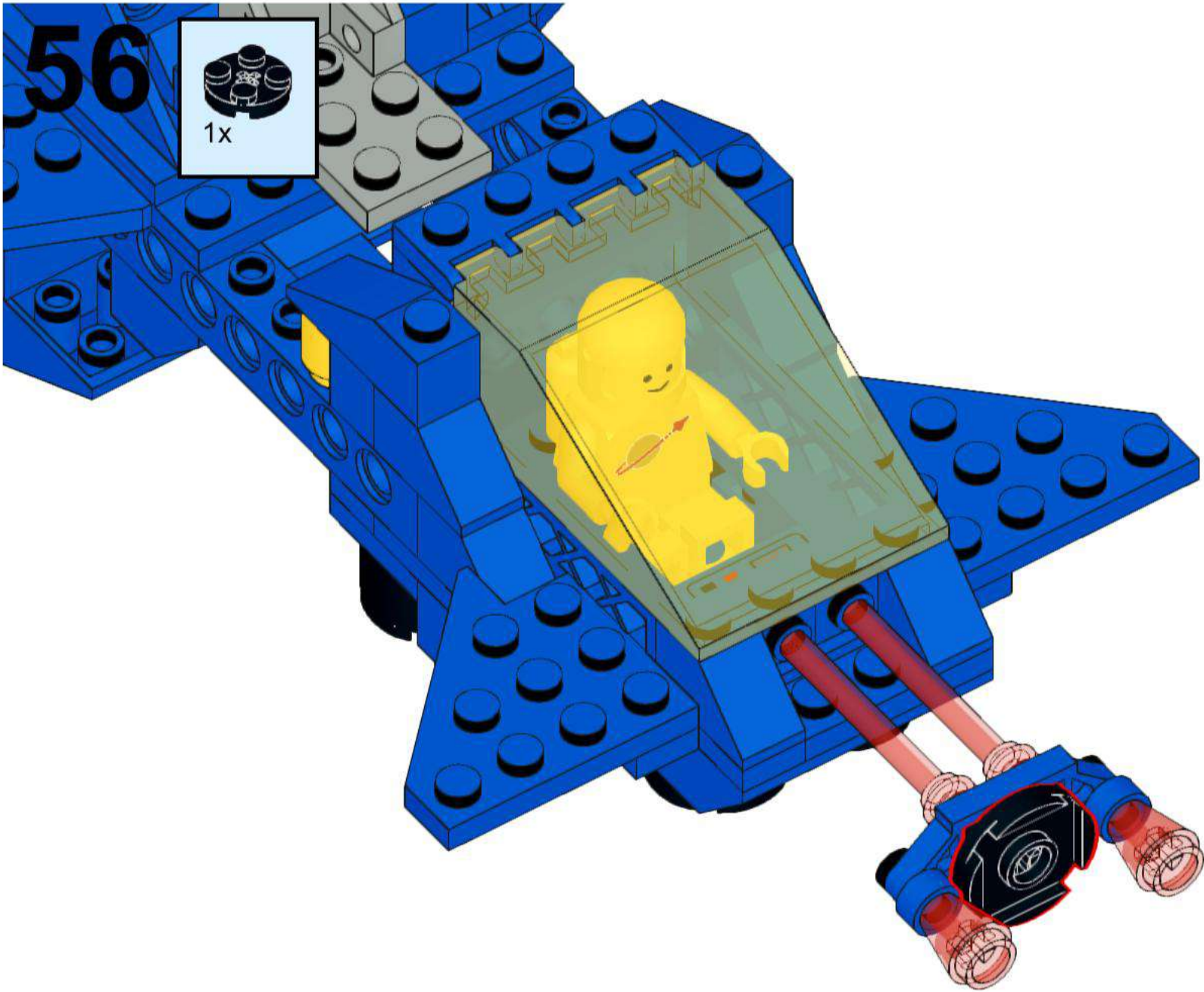
54



55

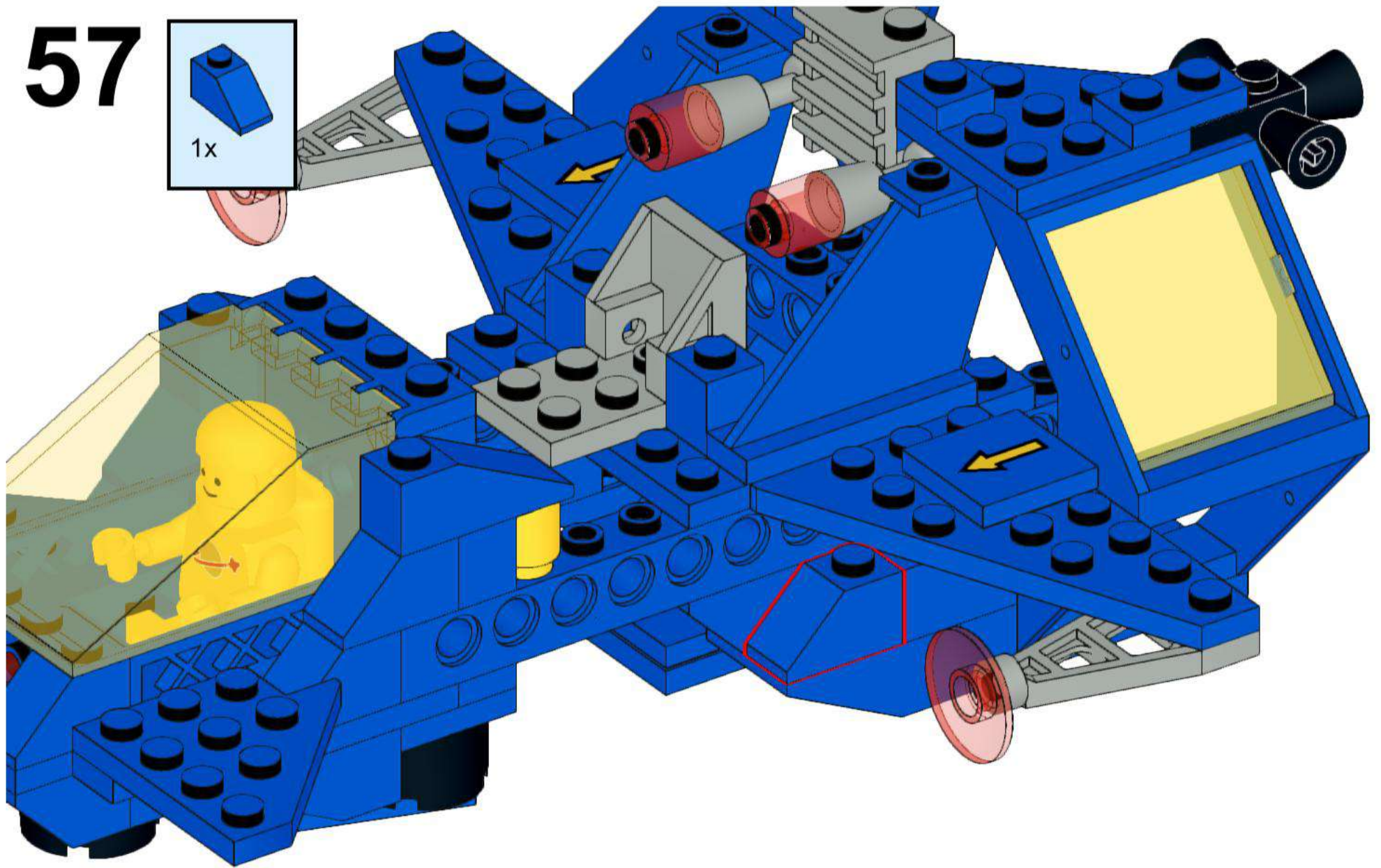
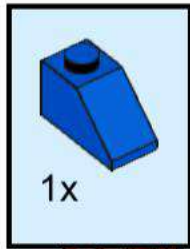


56

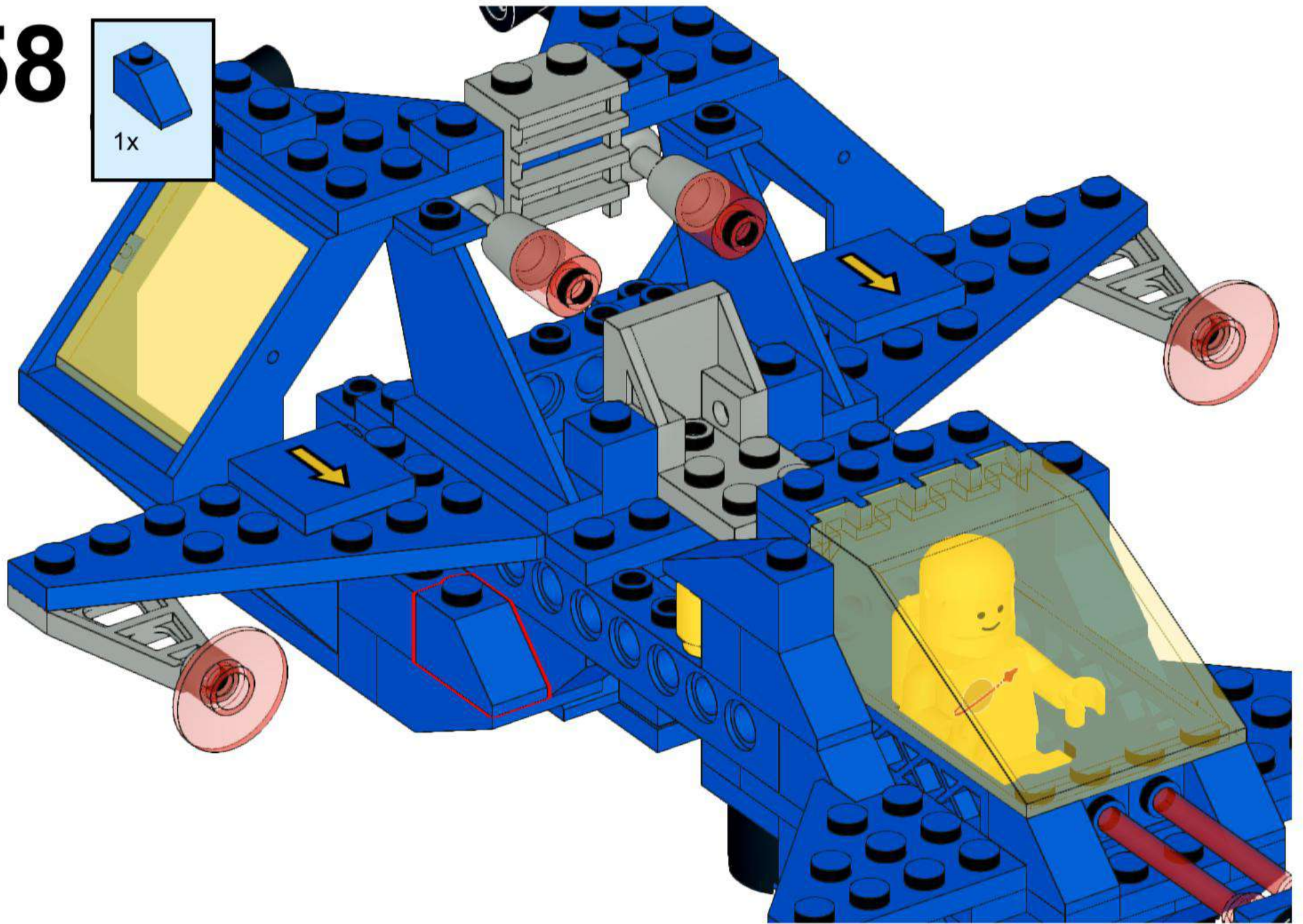
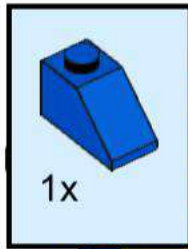




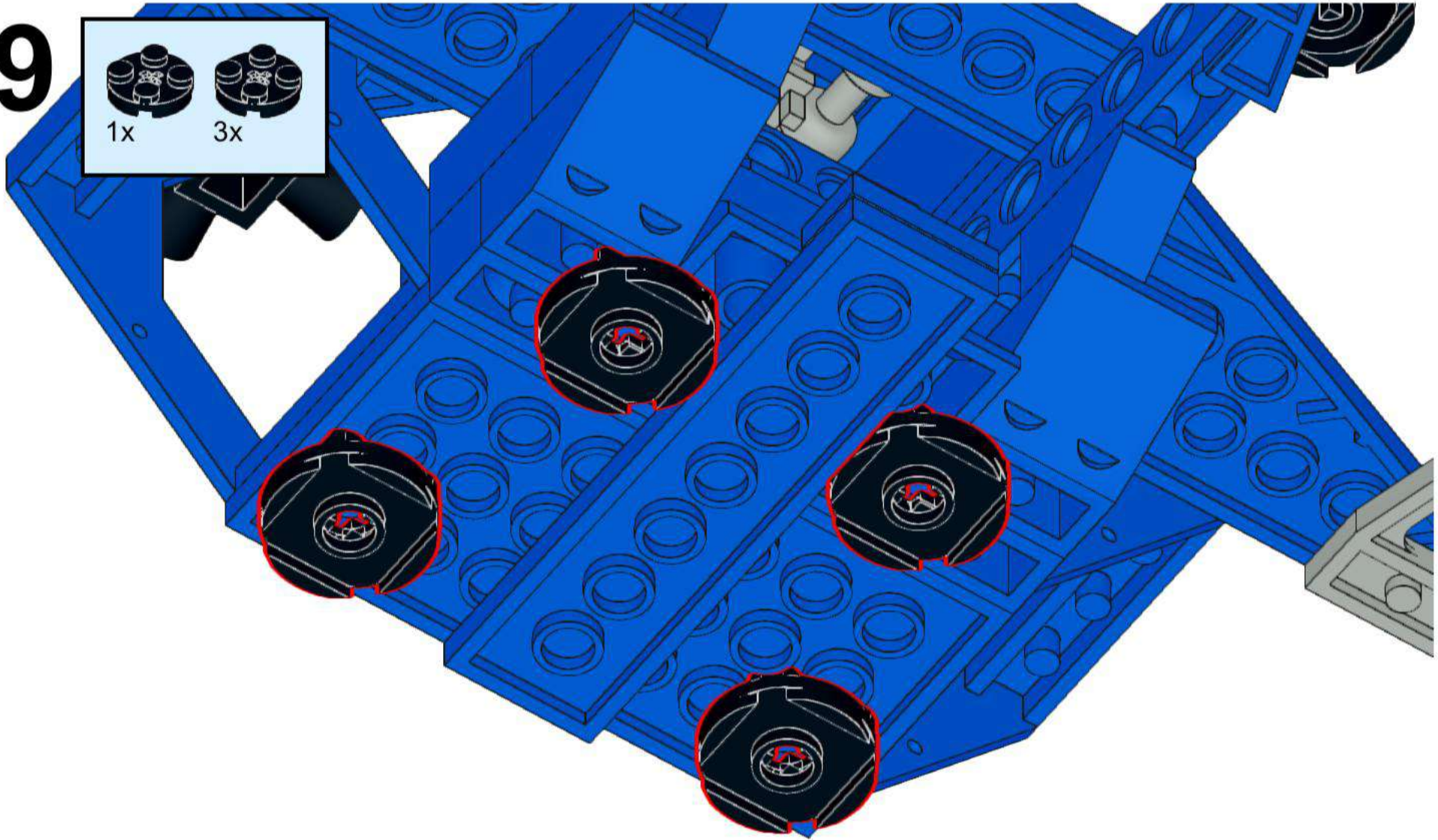
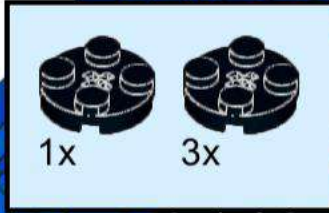
57



# 58



# 59



60

