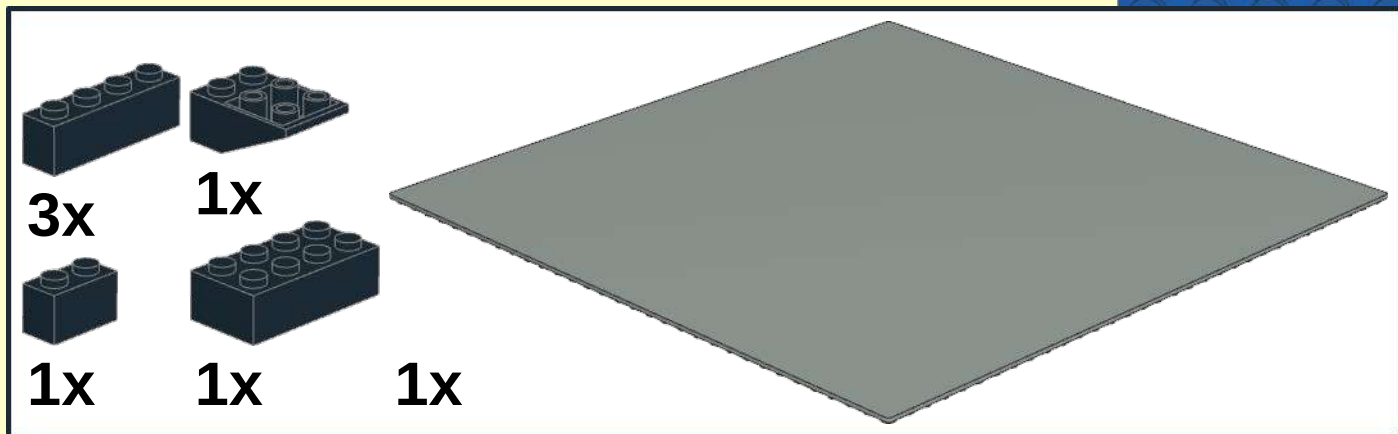
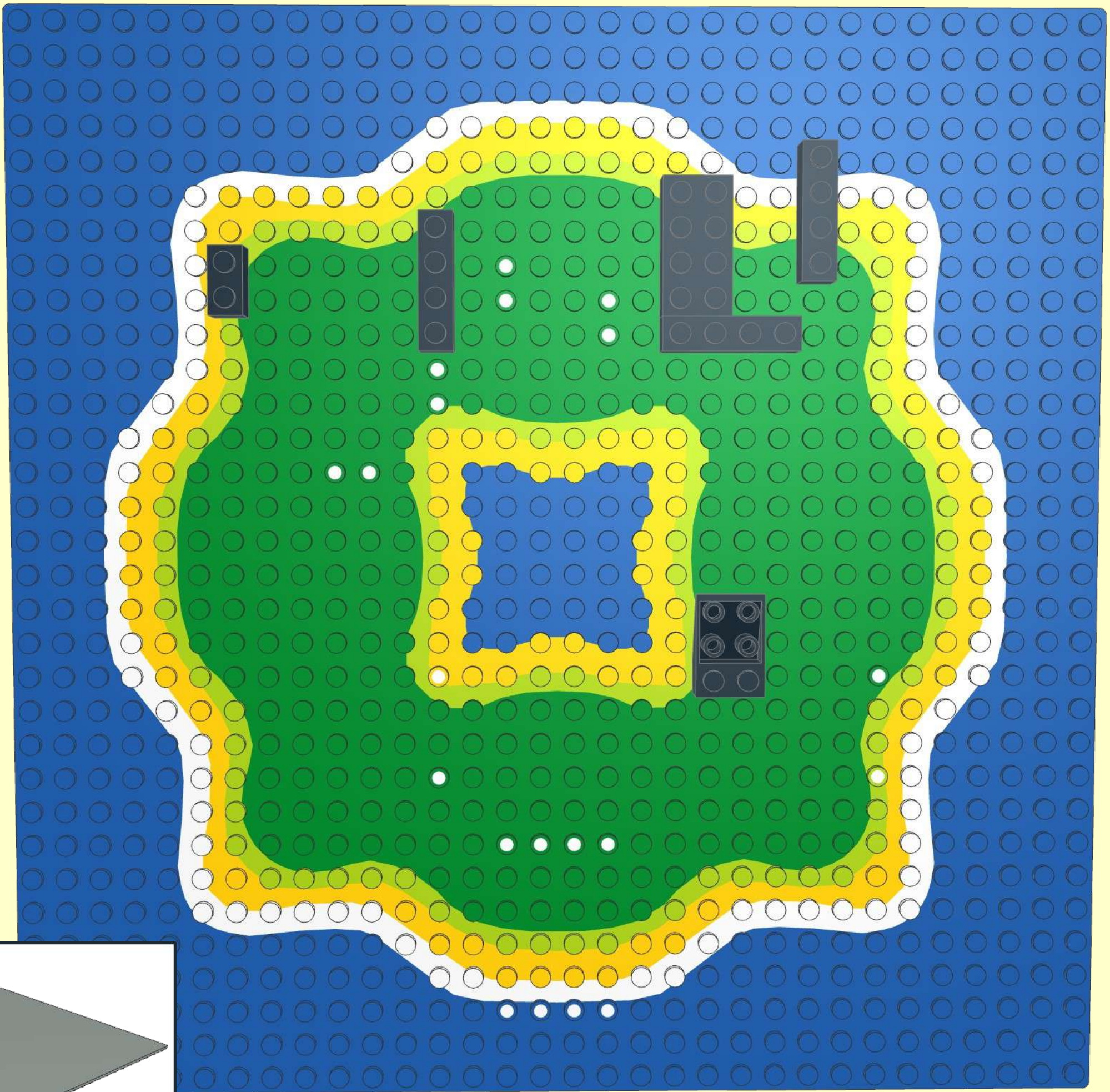


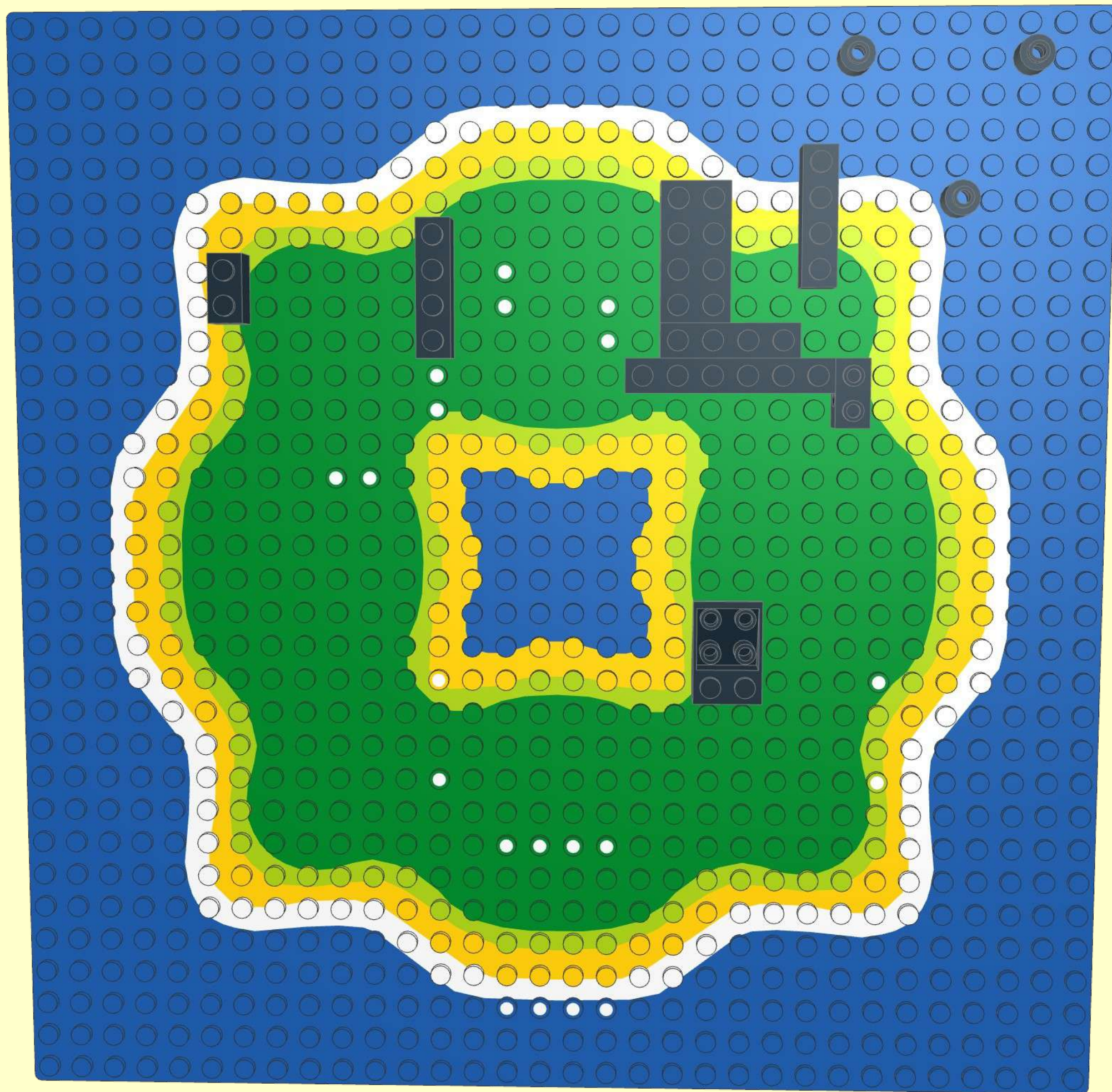
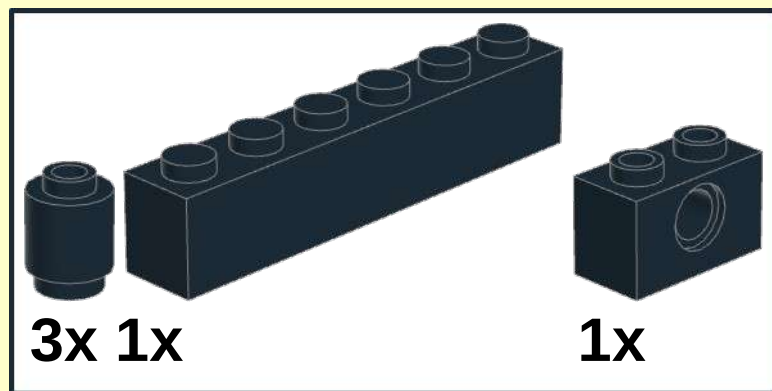


1



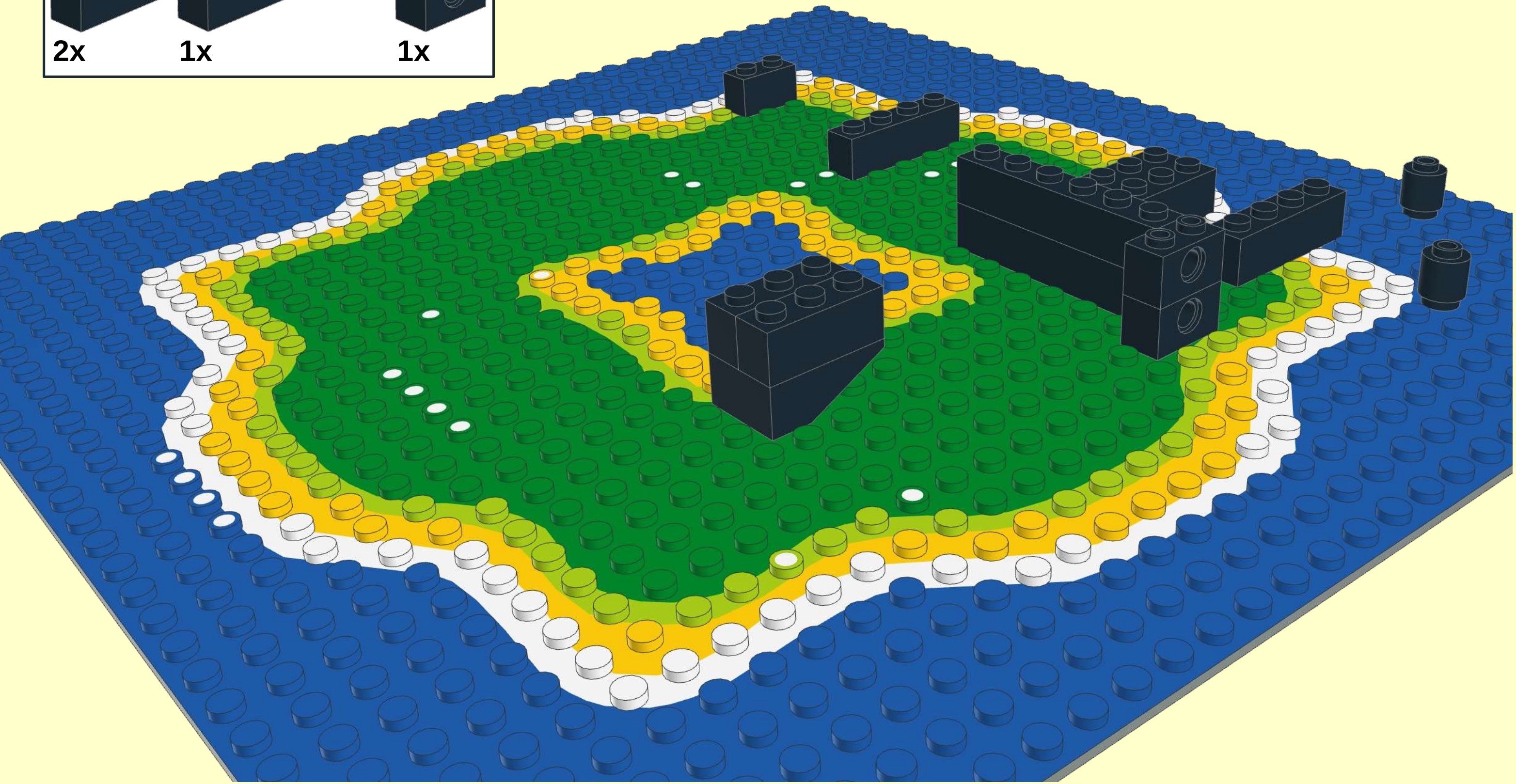
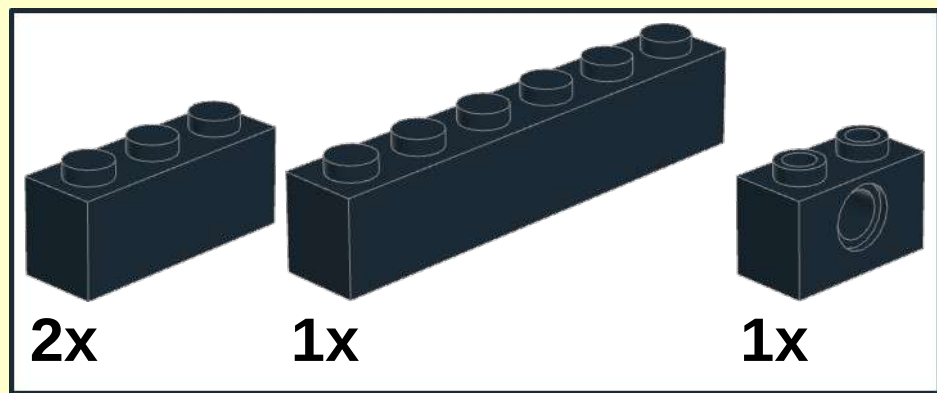


2



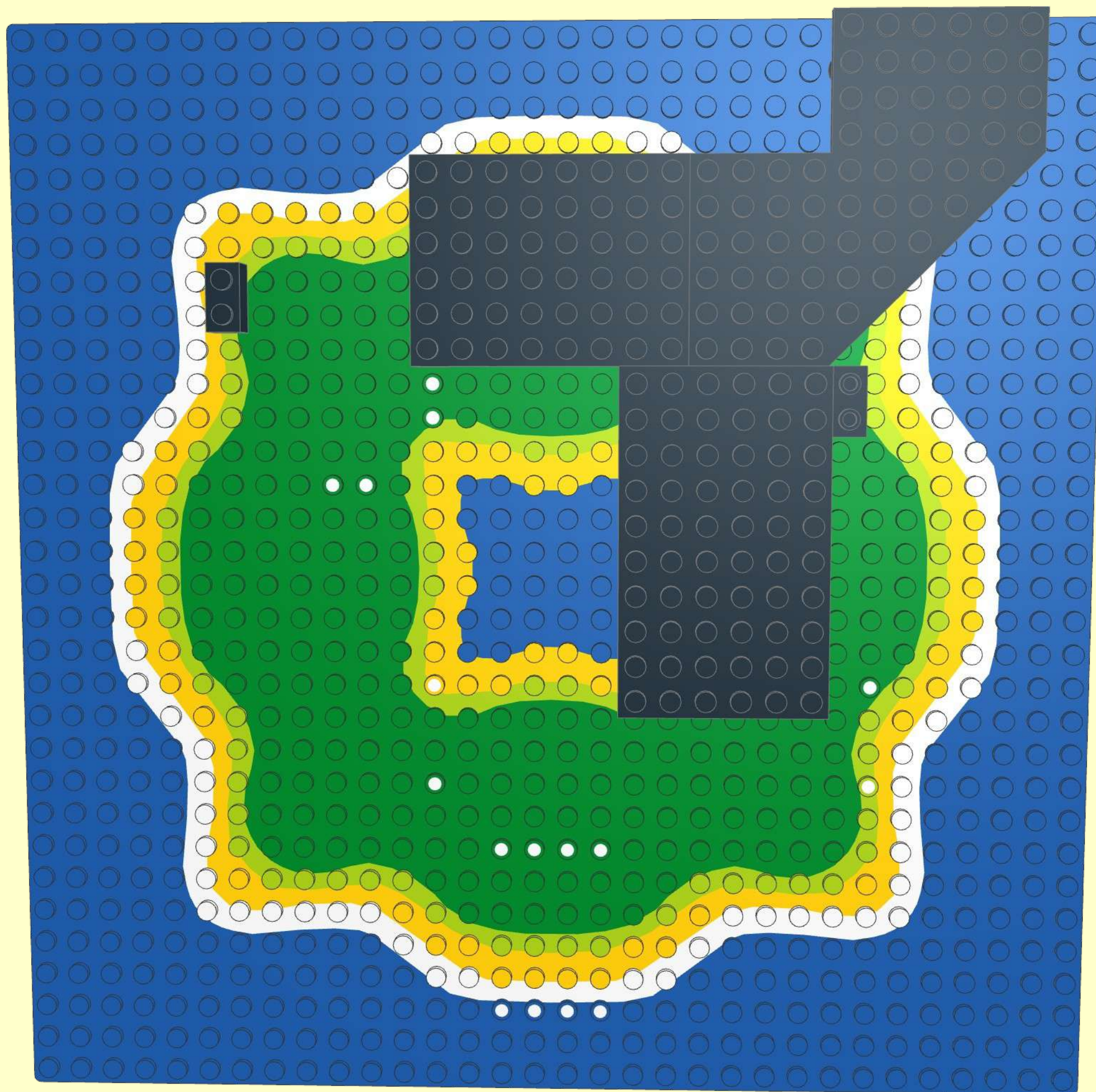
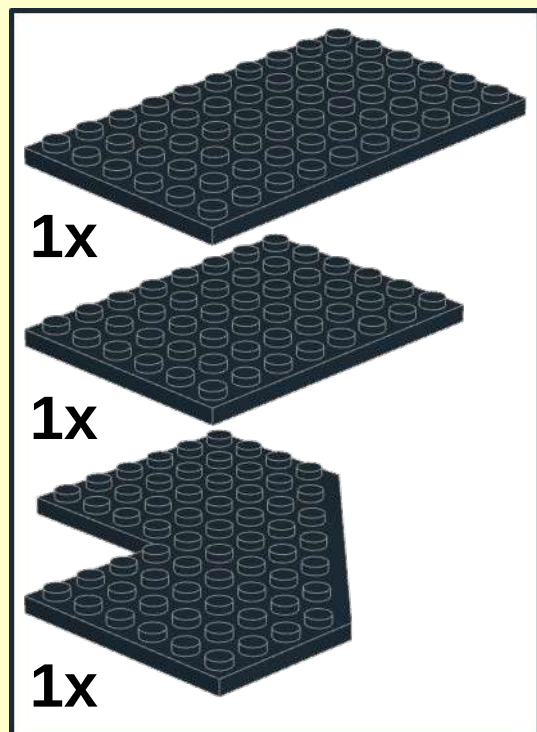


3





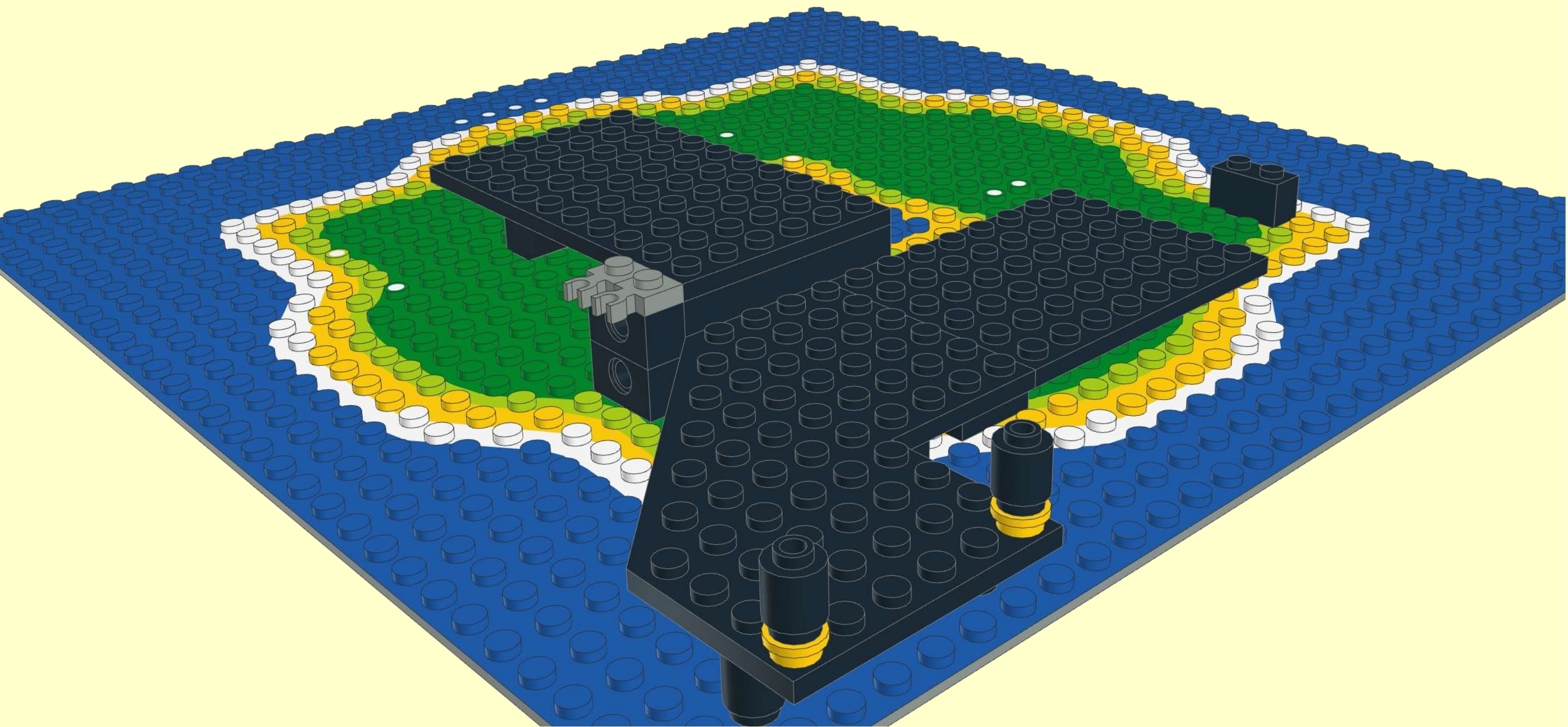
4





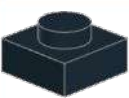

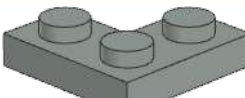
**5**

2x 2x 2x





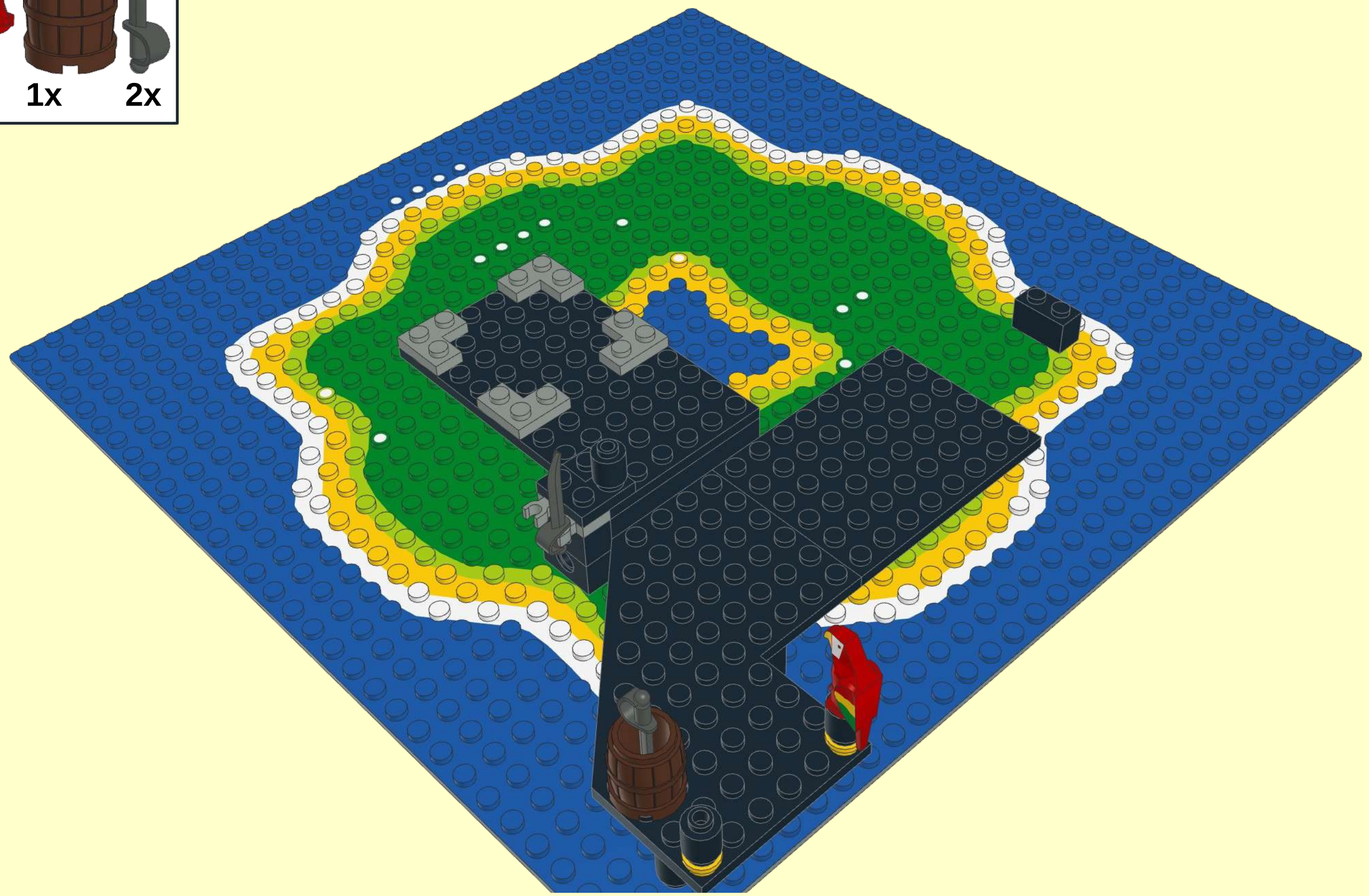
**6**

		
<b>1x</b>	<b>1x</b>	<b>4x</b>



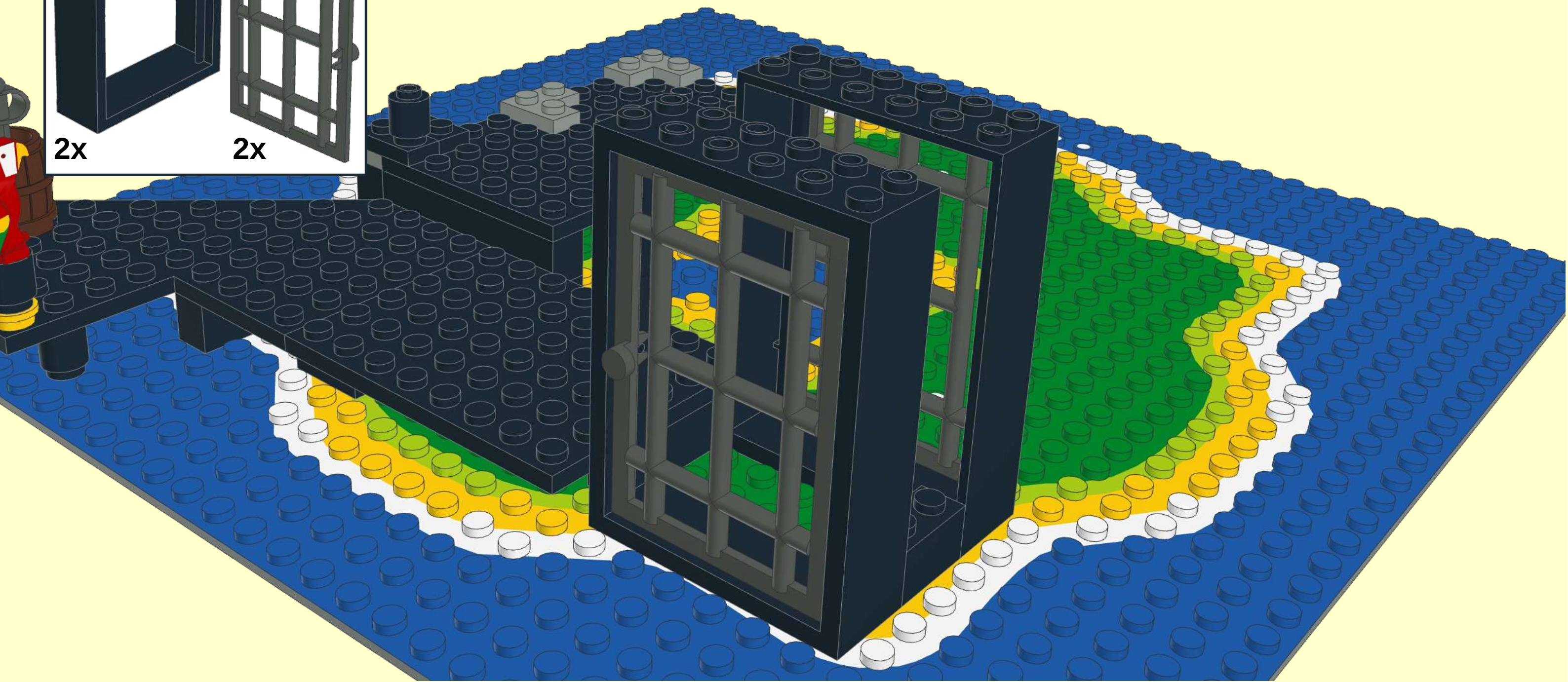
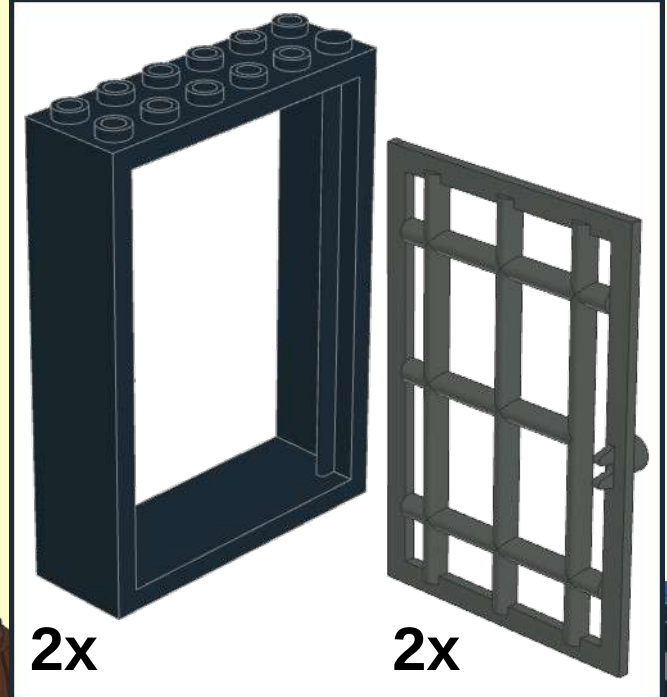


7



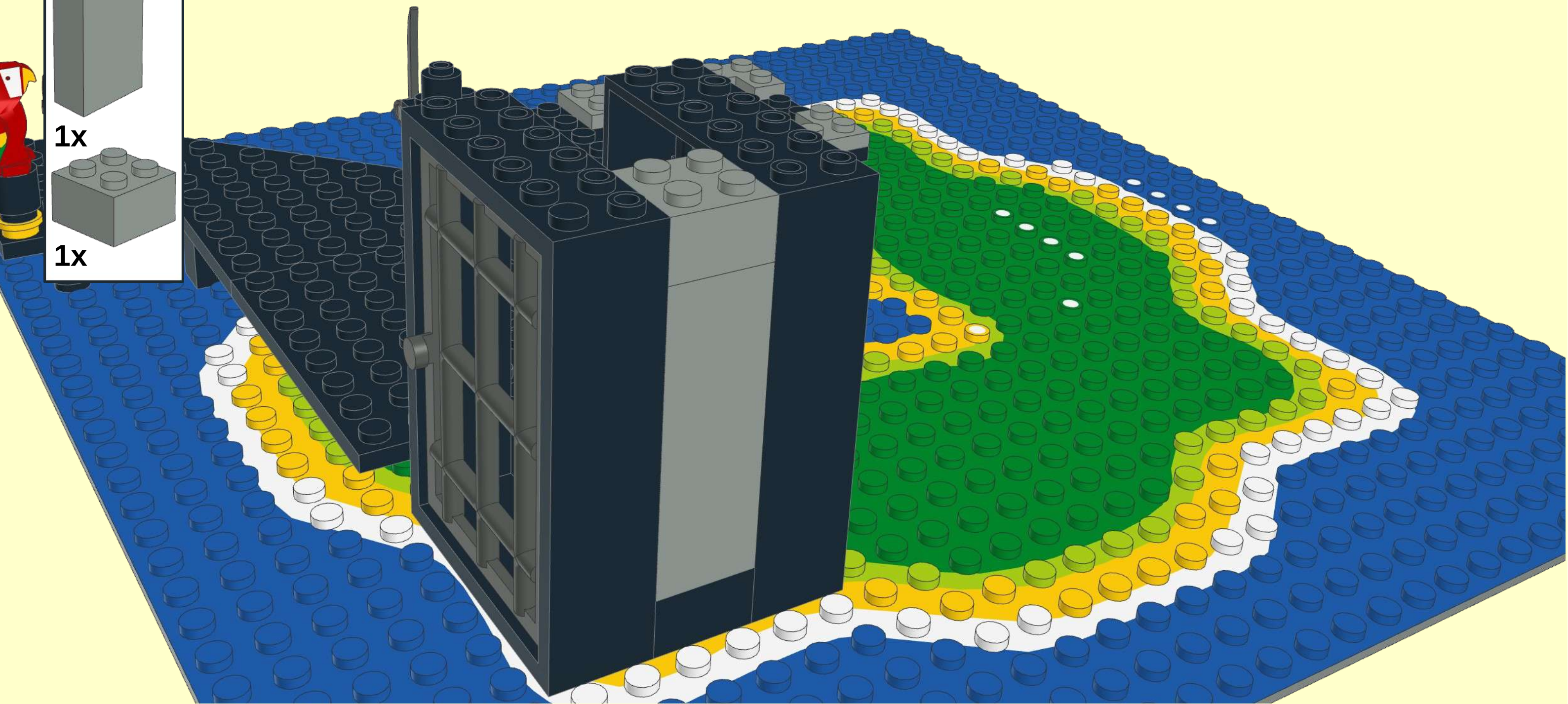
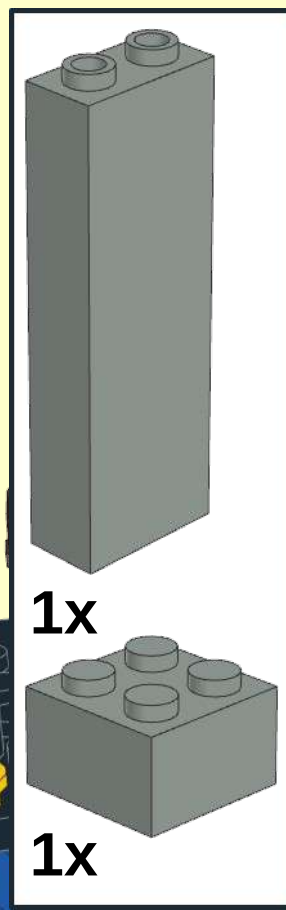


8



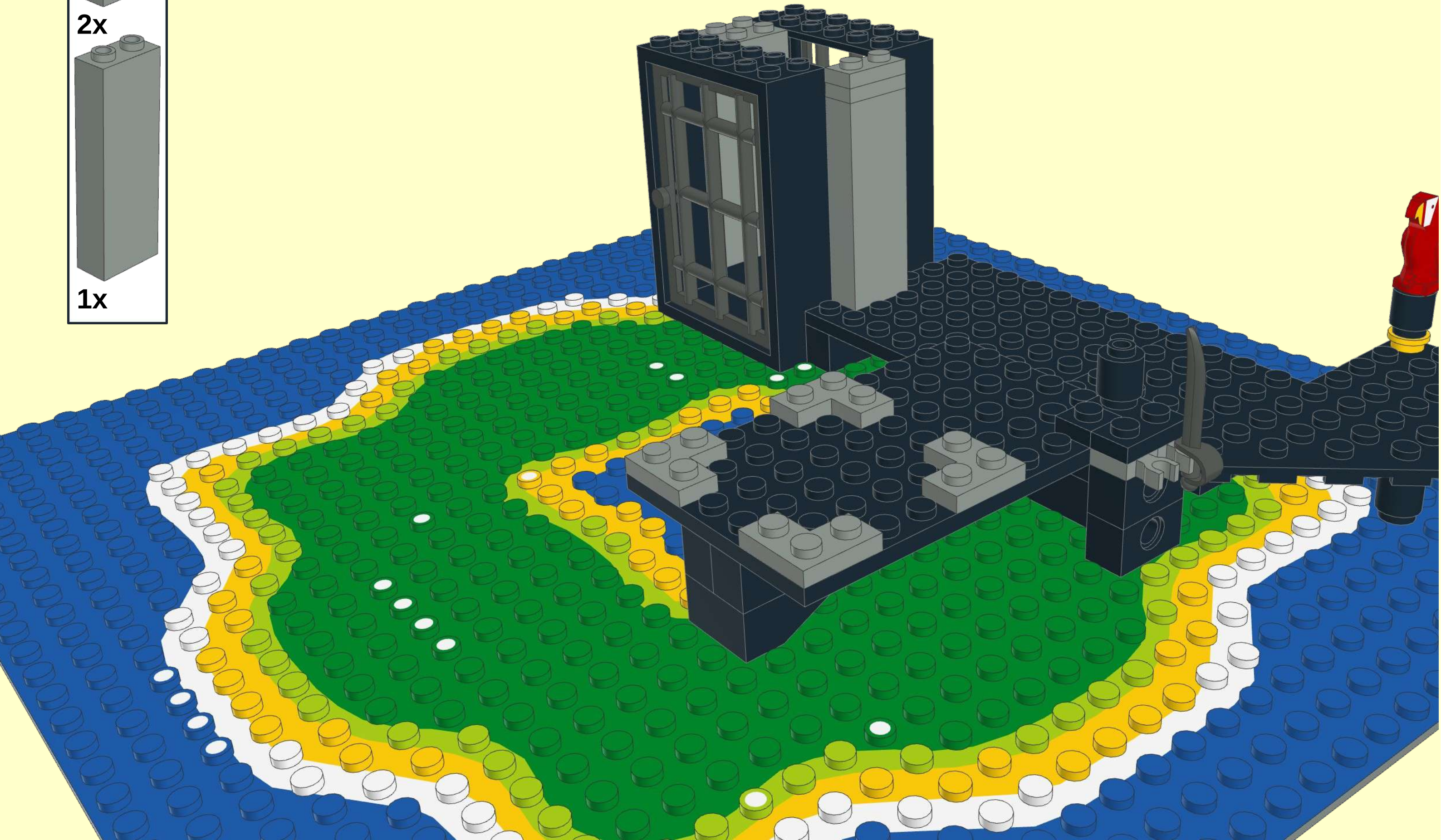
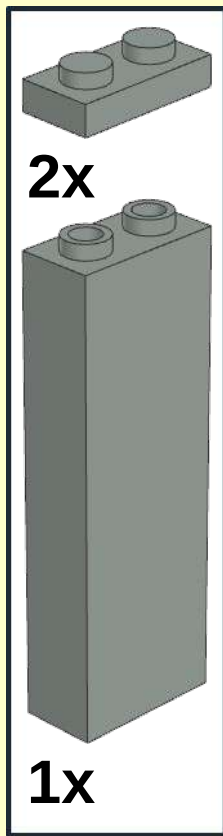


9



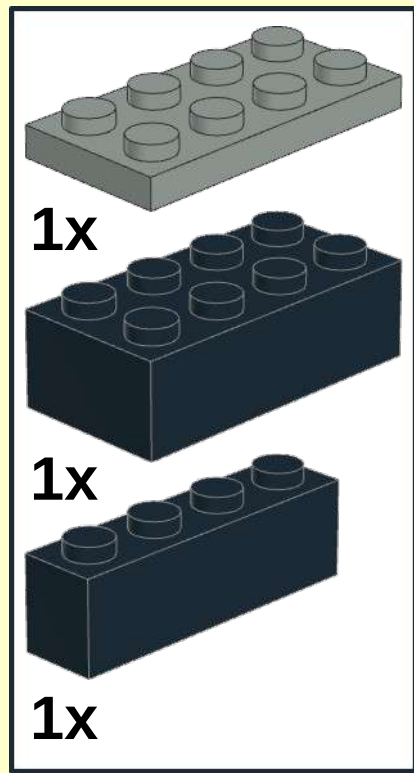


10



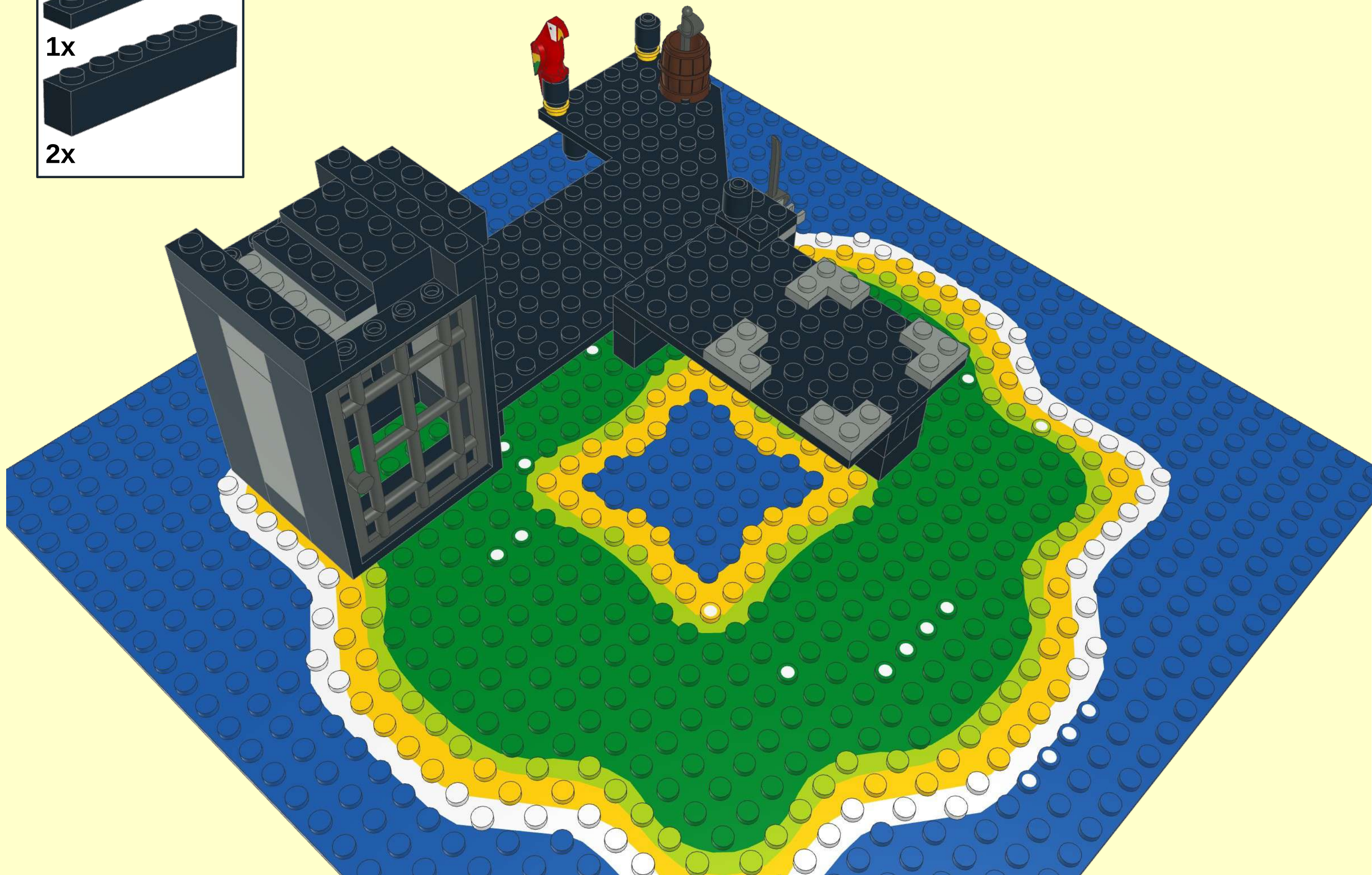
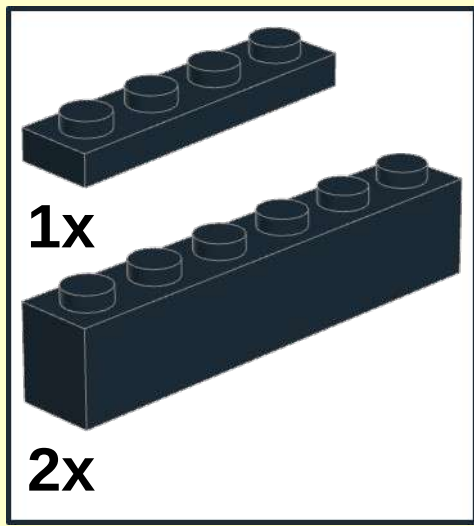


11



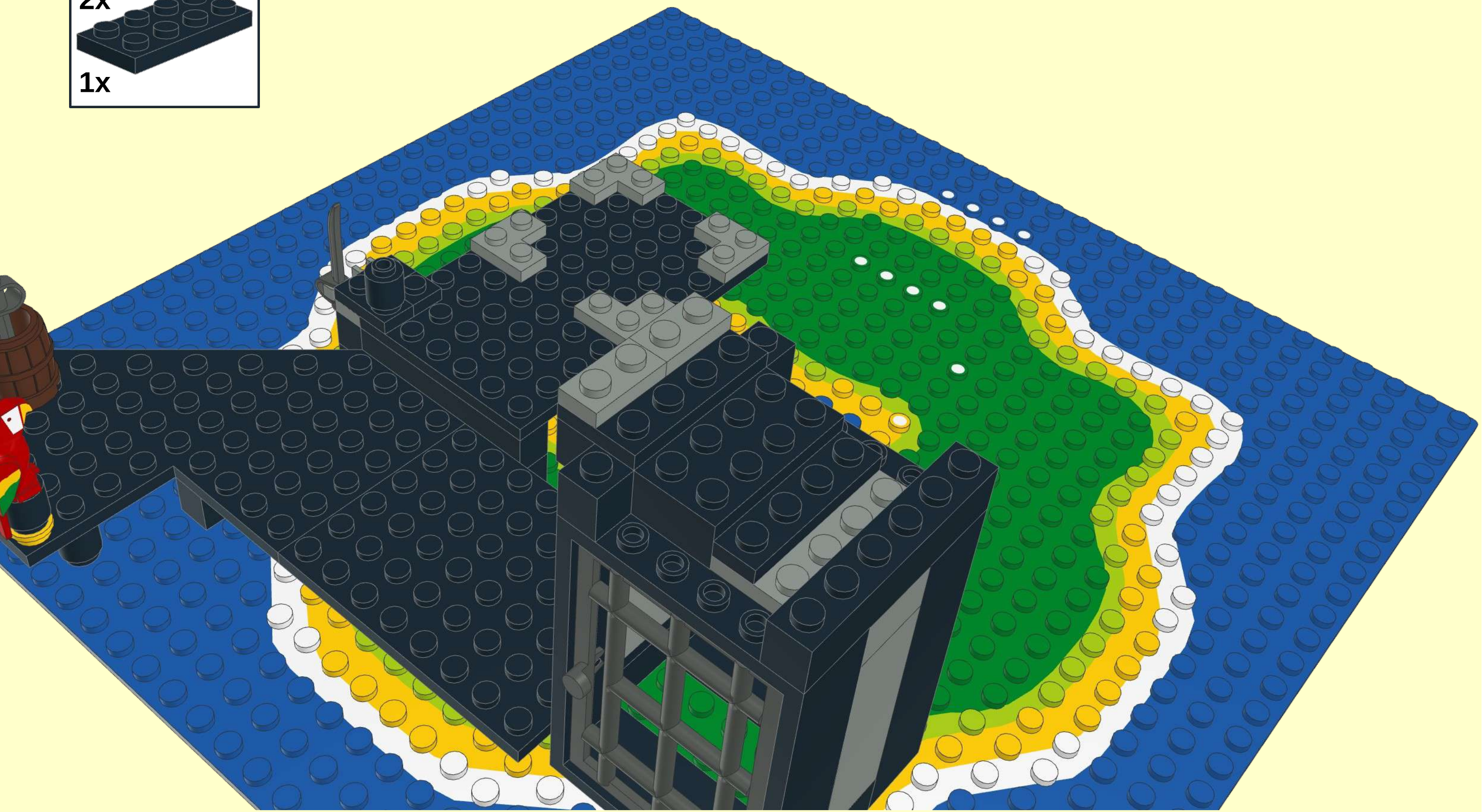
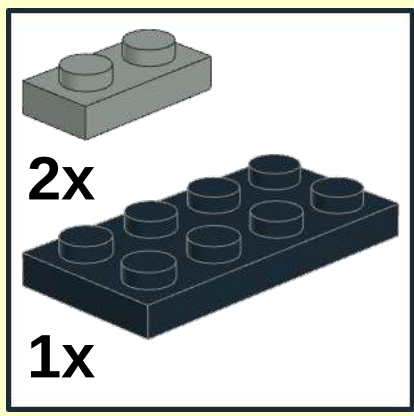


12

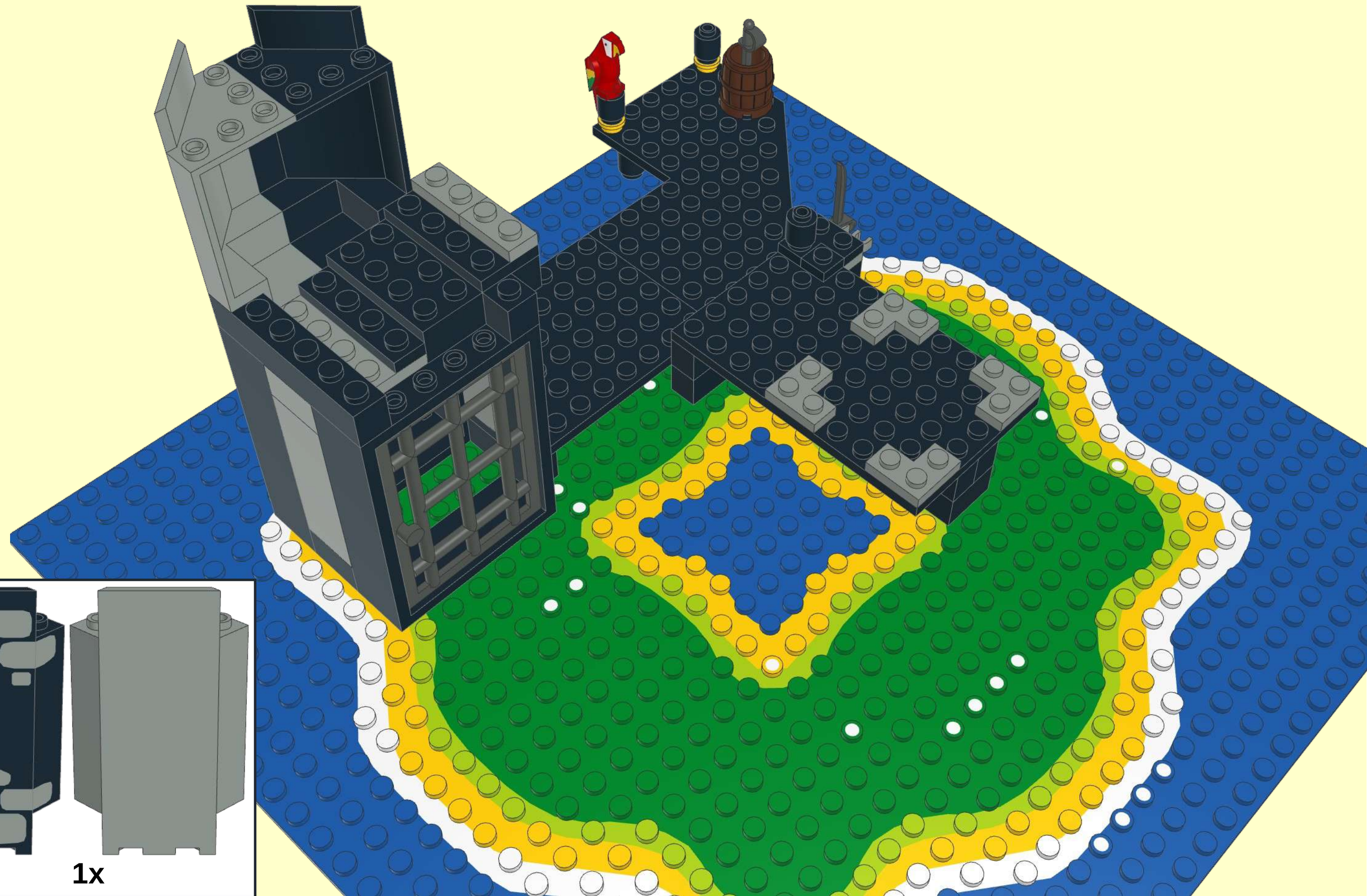




13





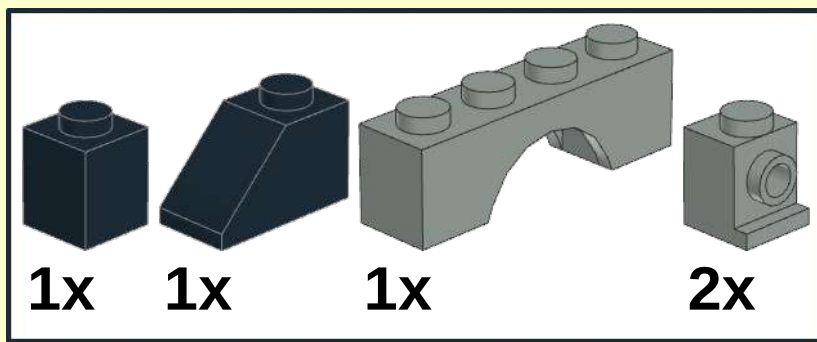


1x

1x

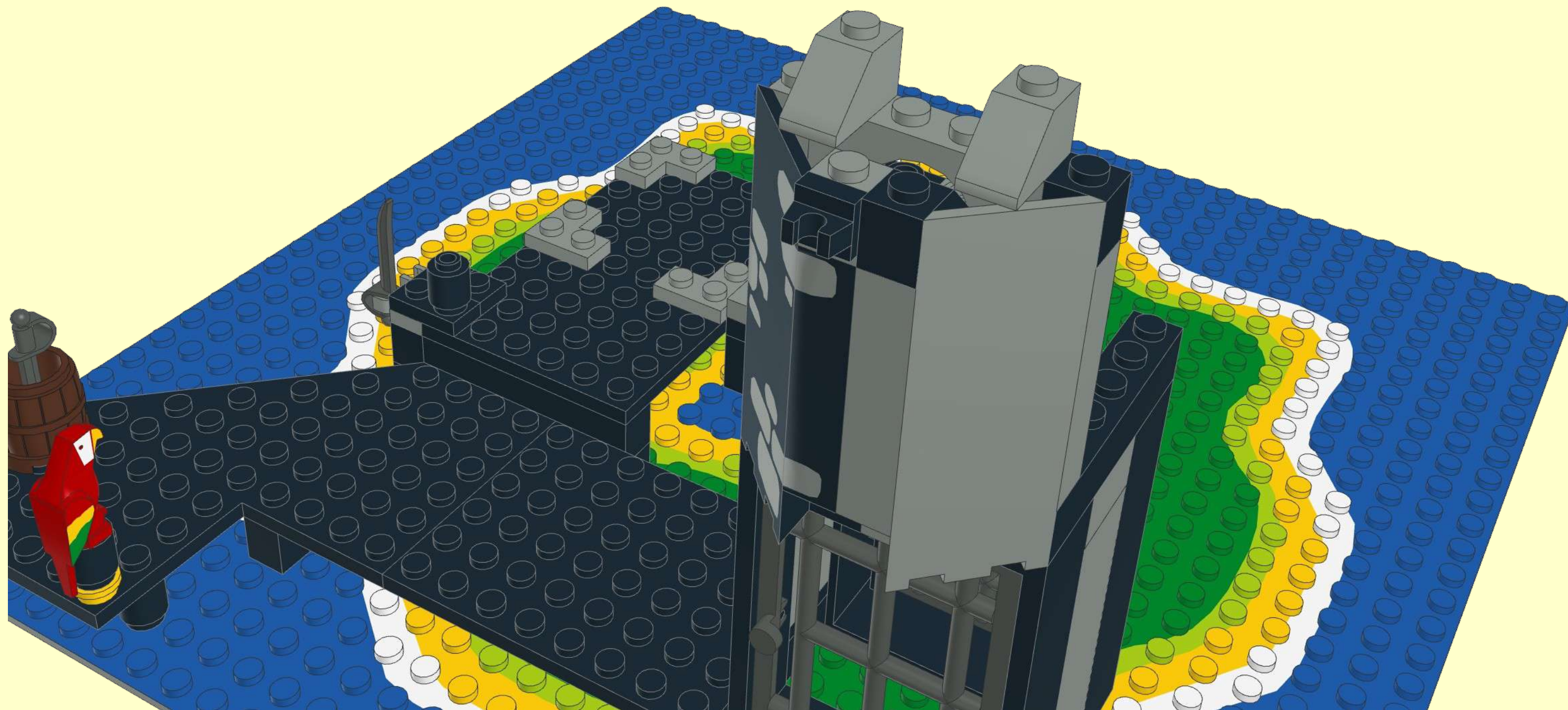
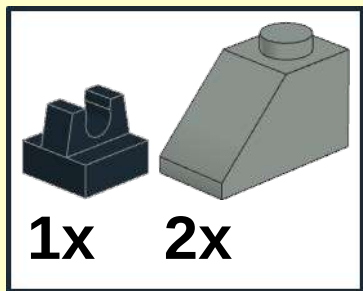


15



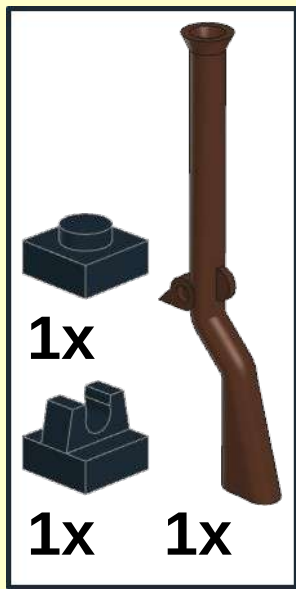


16



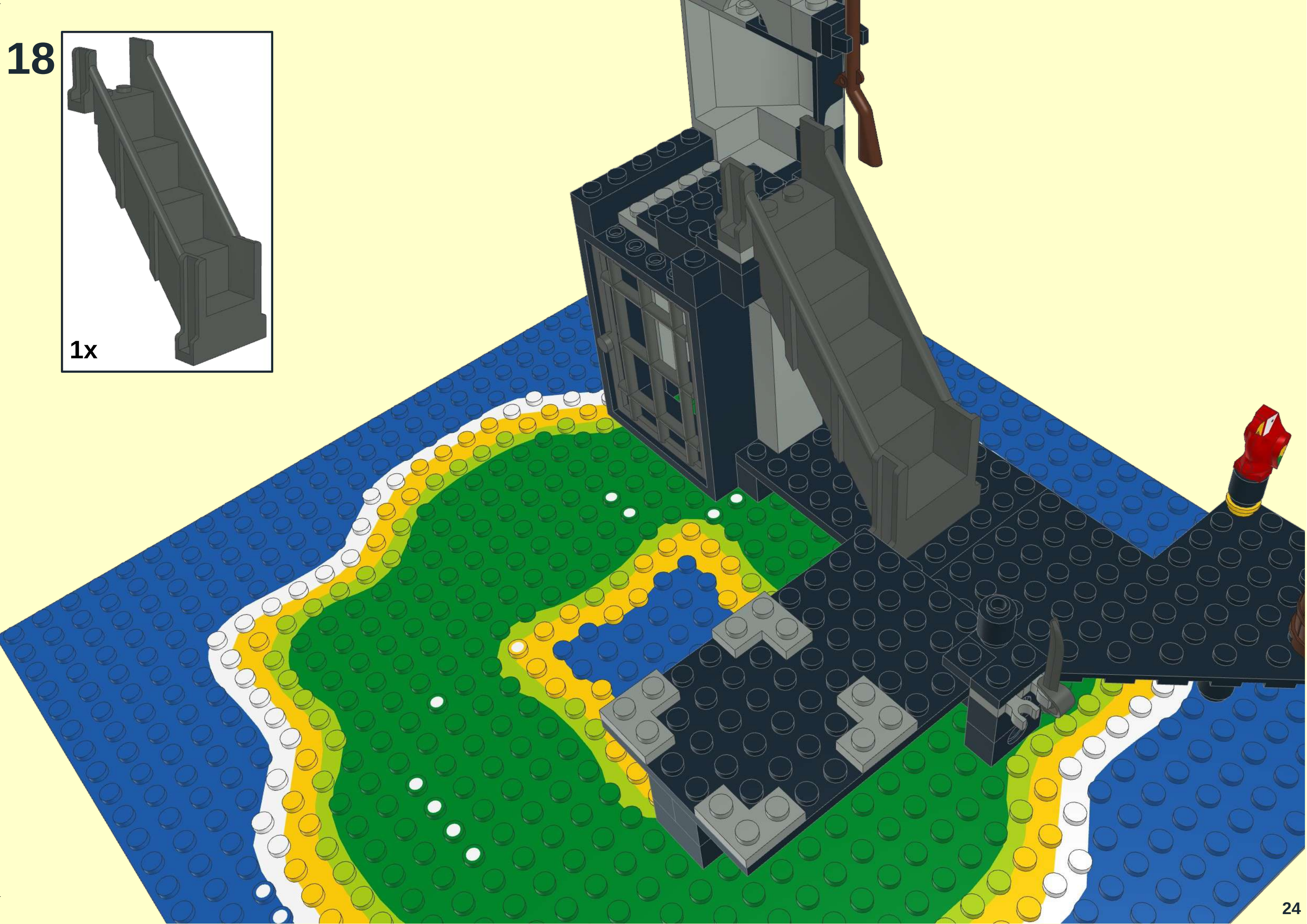
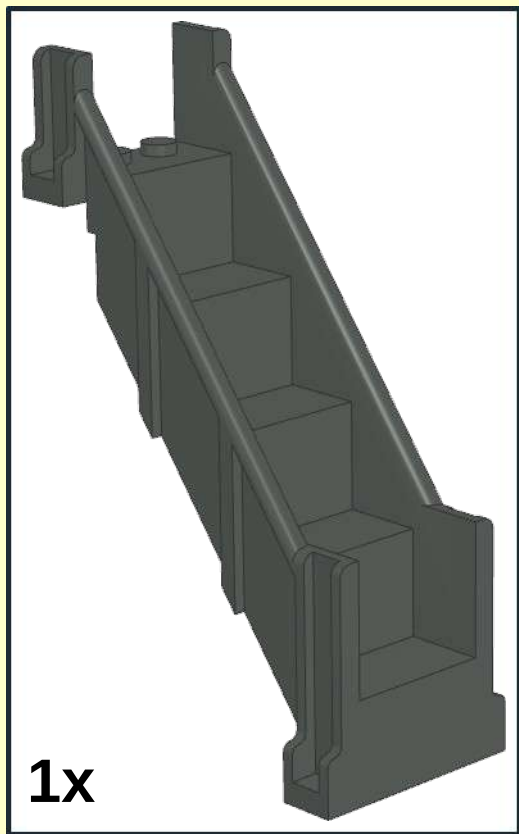


17



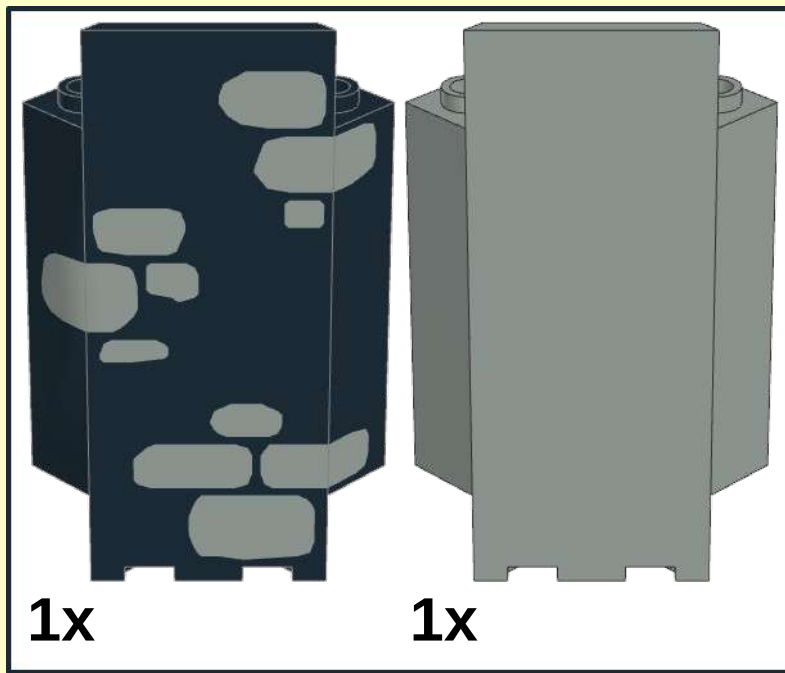


18



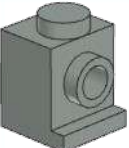
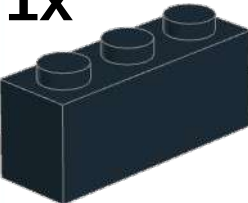
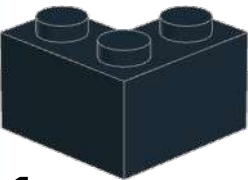



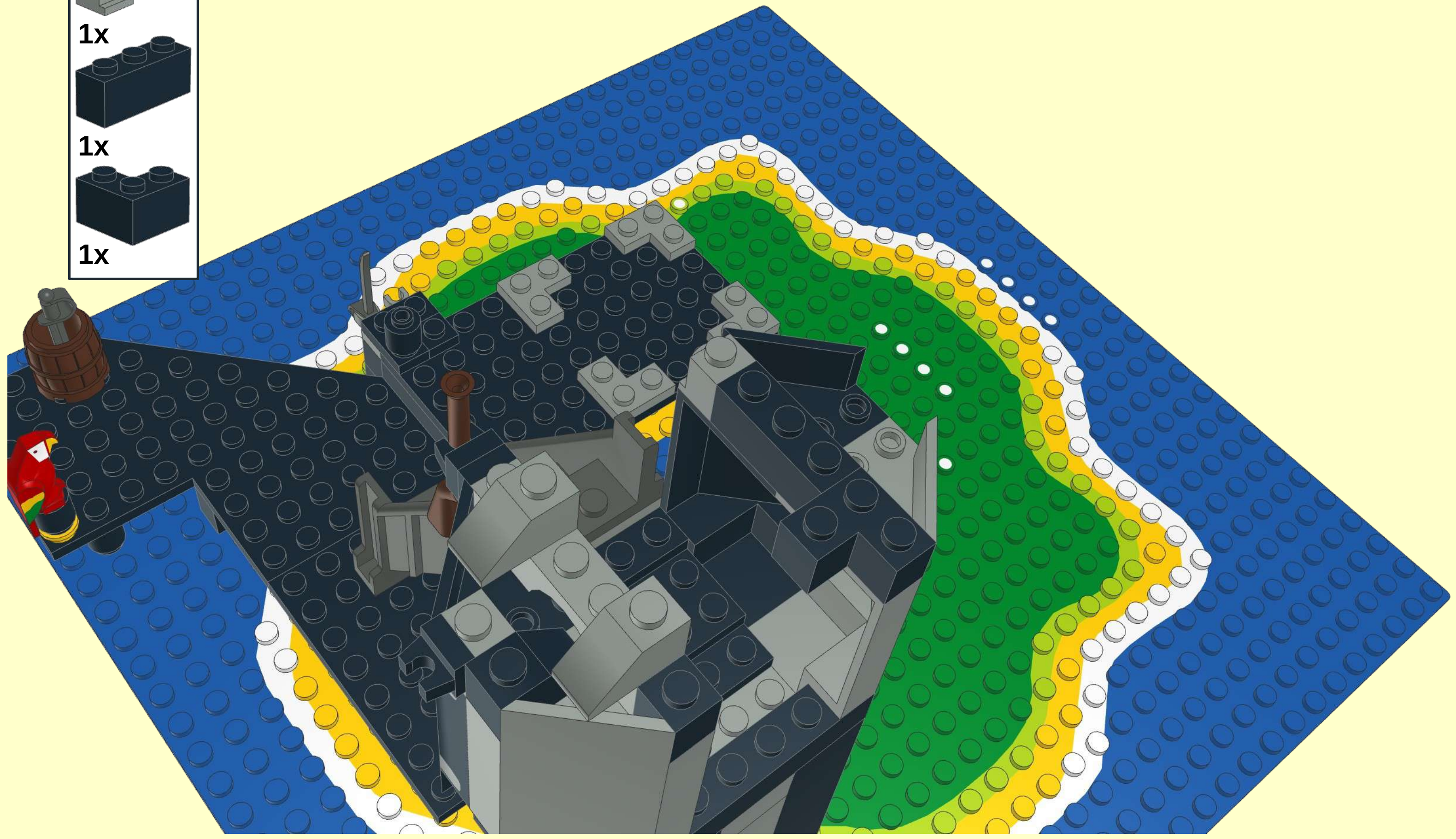
19





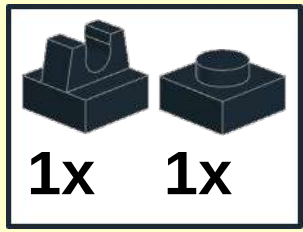
20

-  1x
-  1x
-  1x
-  1x





21







1

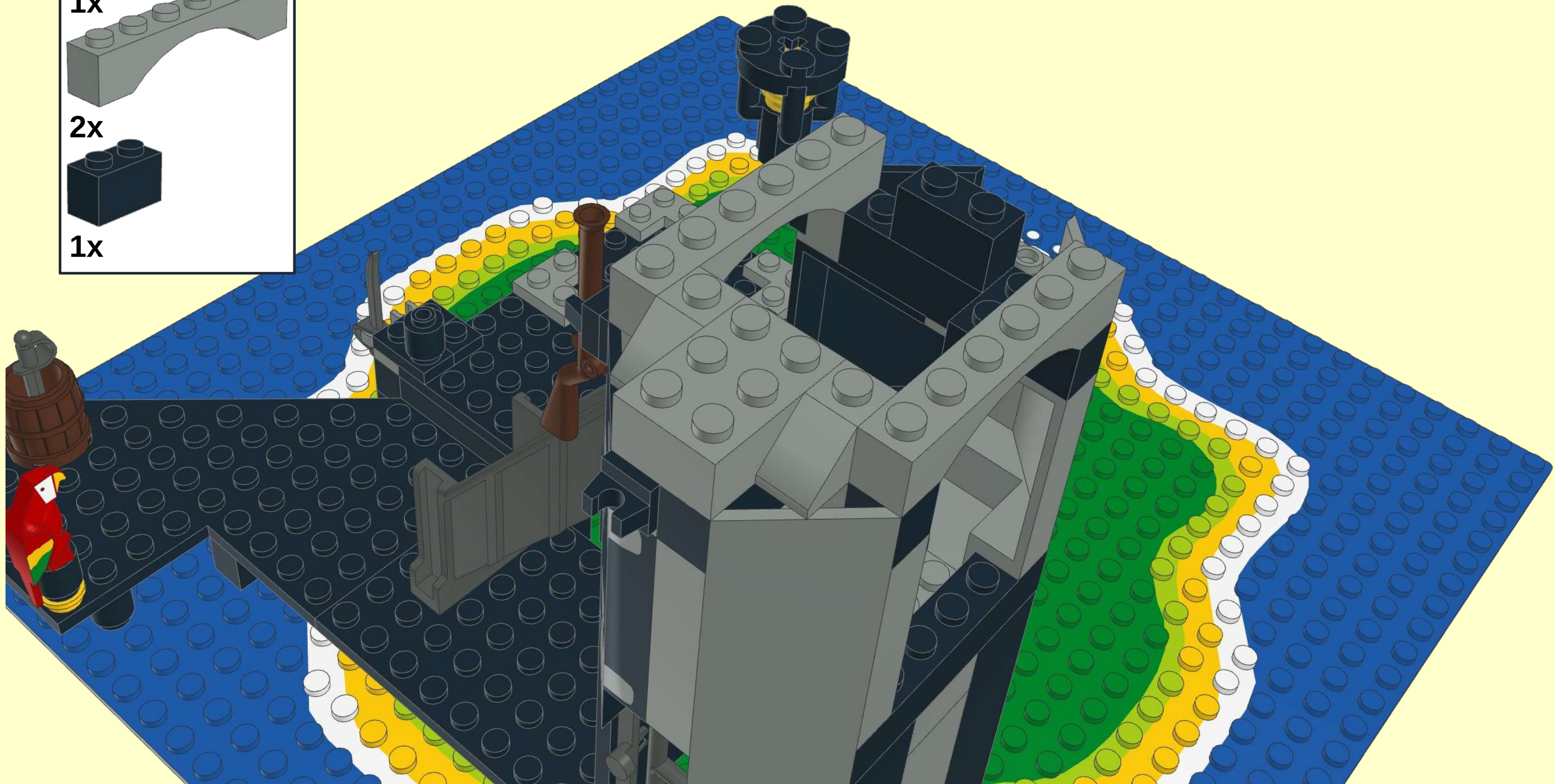
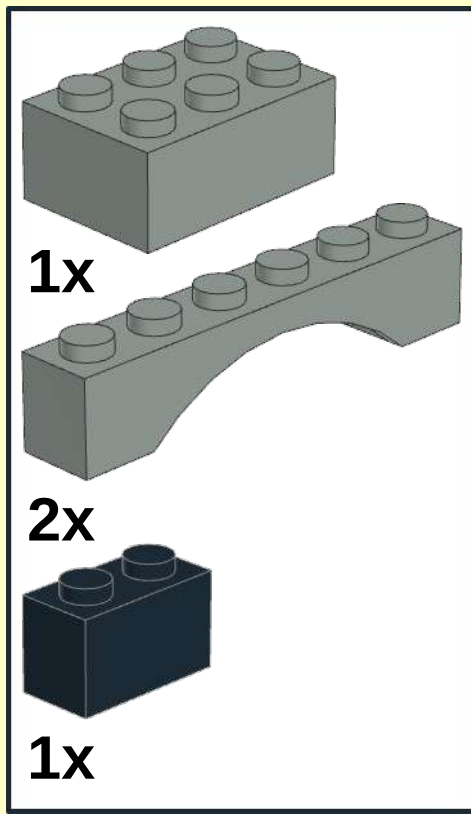
1x 2x

2

1x

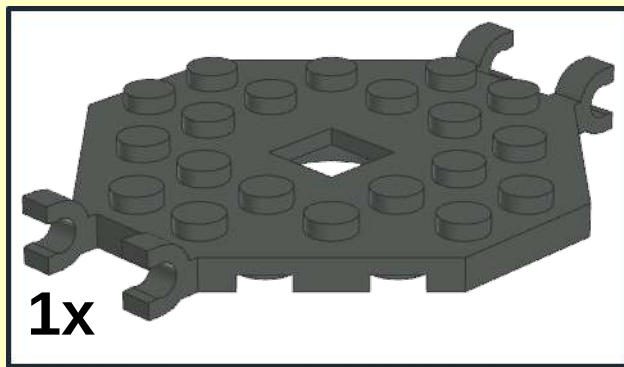


23



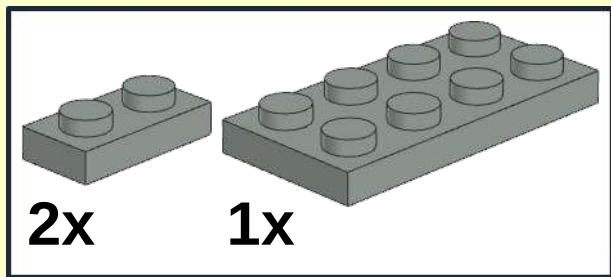


24



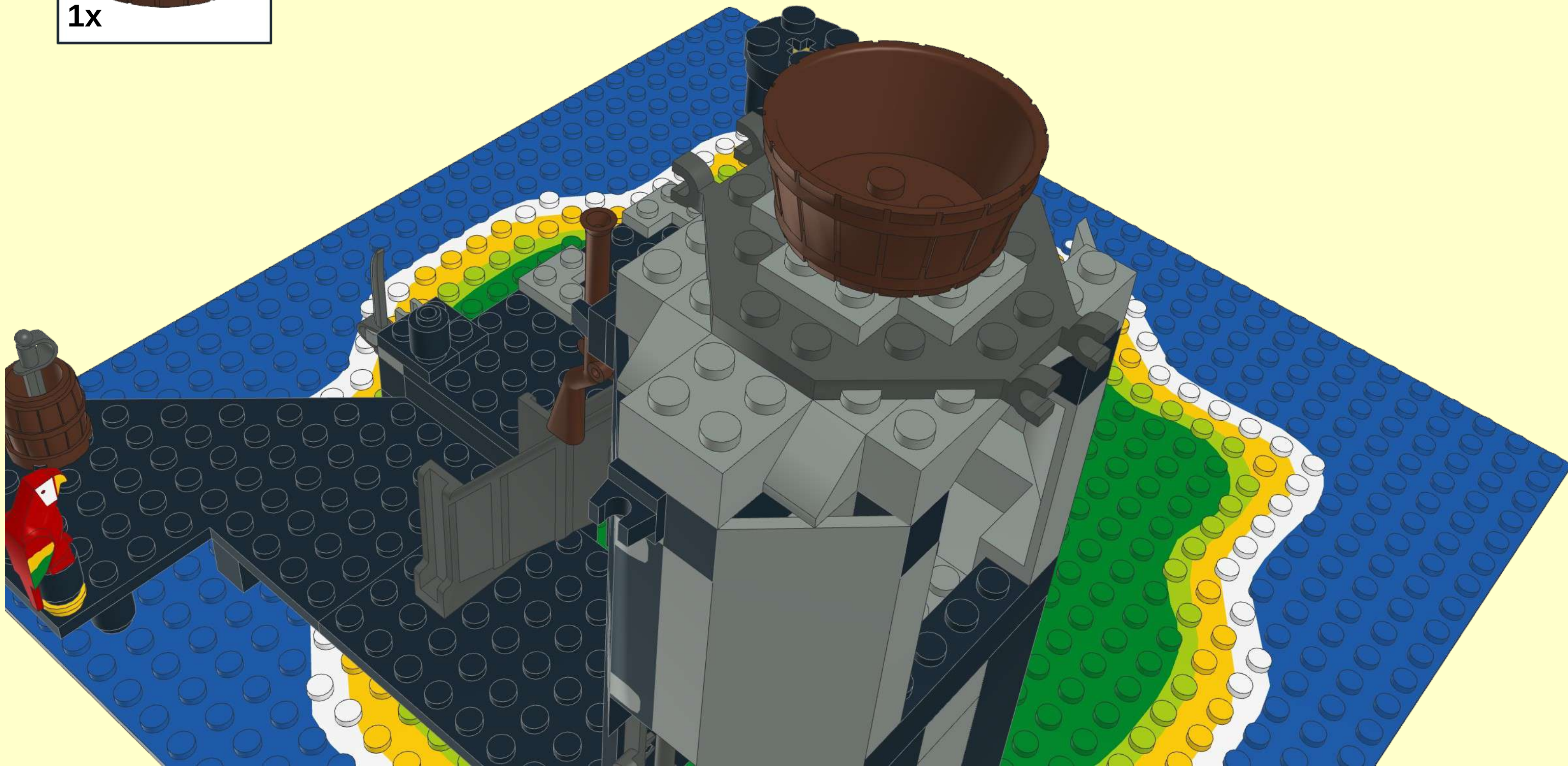


25



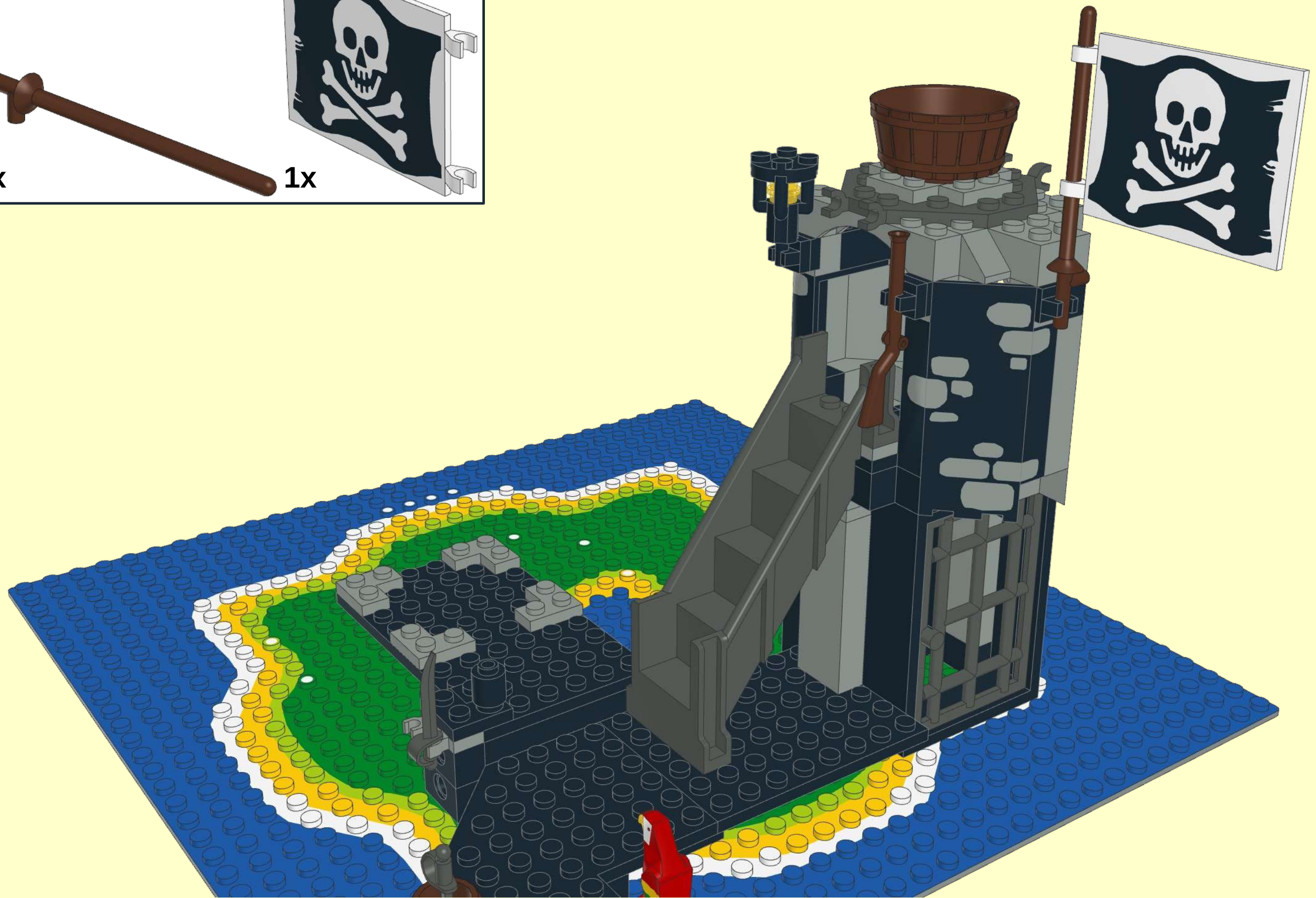
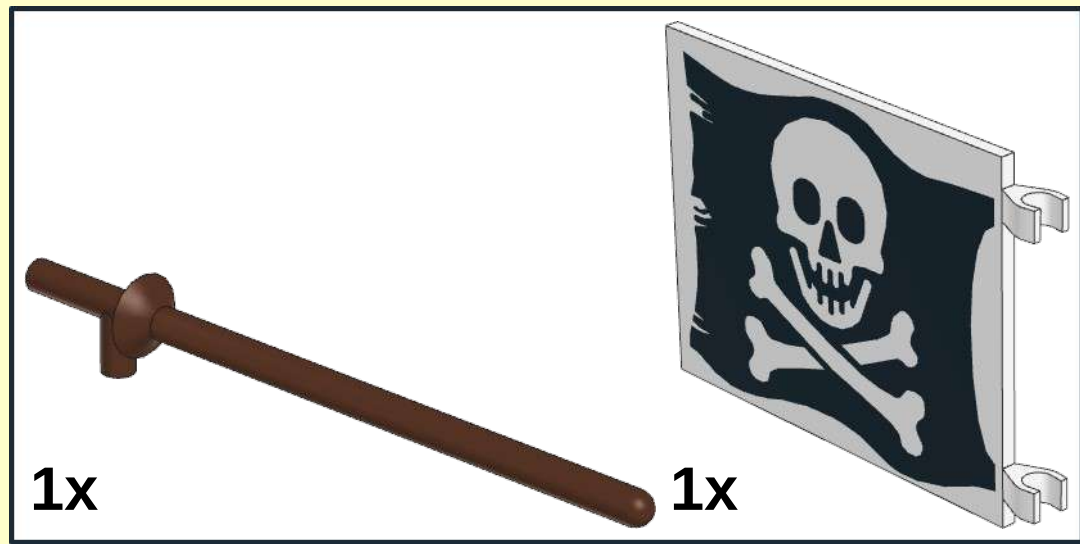


26





27







1



2x



1x



2x



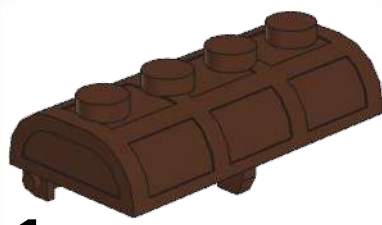
2x



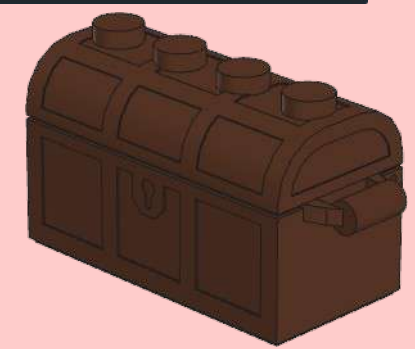
2x



2

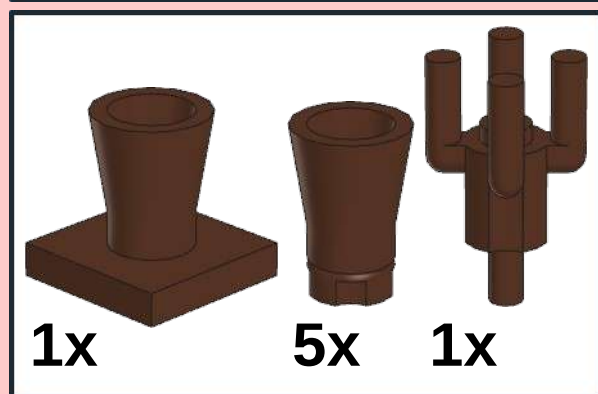


1x

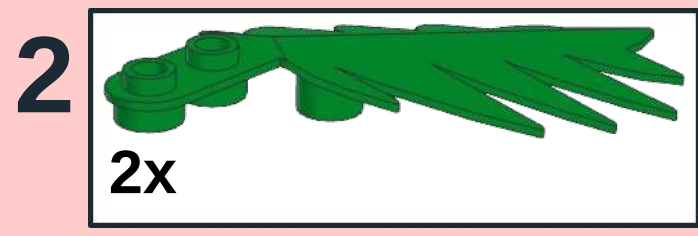




1

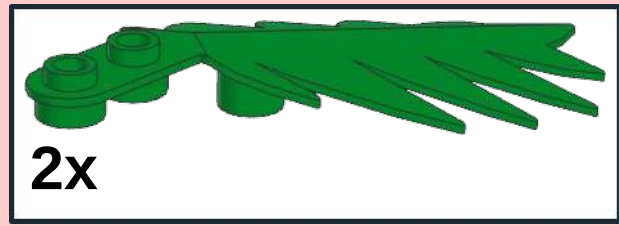






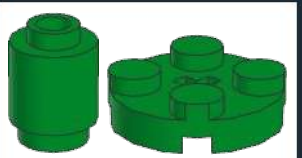


3





4



1x 1x











1

2x      4x

2

1x      1x

A detailed inset diagram showing the assembly of a cannon carriage. It is divided into two numbered steps. Step 1 shows two dark blue 1x4 Technic plates and four brown wheels. Step 2 shows a brown 1x4 Technic plate with a curved cutout and a grey cannon barrel. Below these steps, the completed carriage is shown, consisting of the brown plate, the grey barrel, and the four brown wheels. The background of the inset is light pink.



