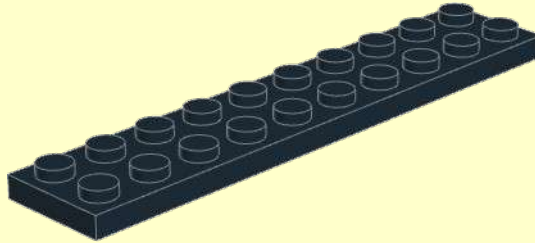
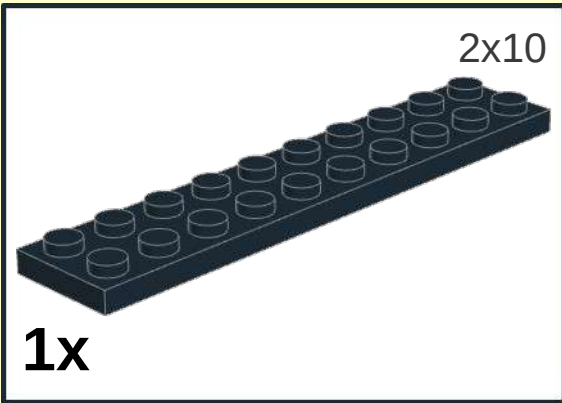
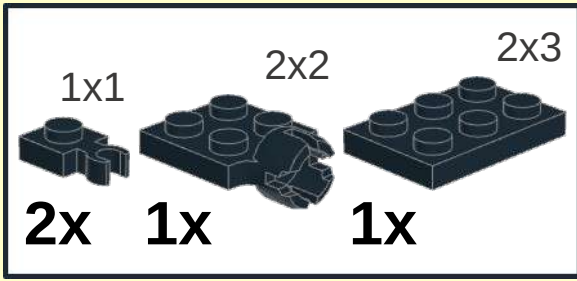


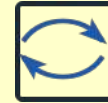
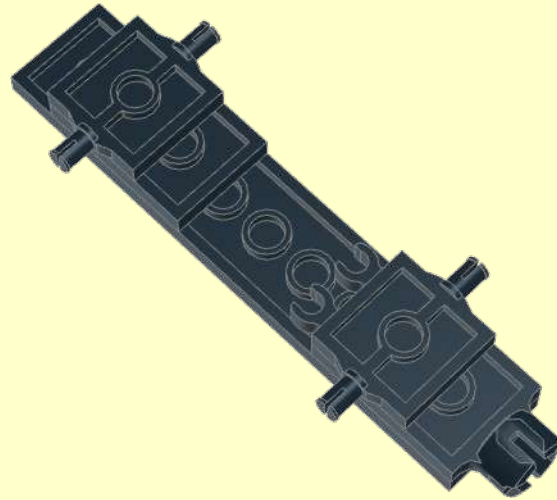
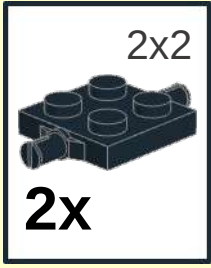
1



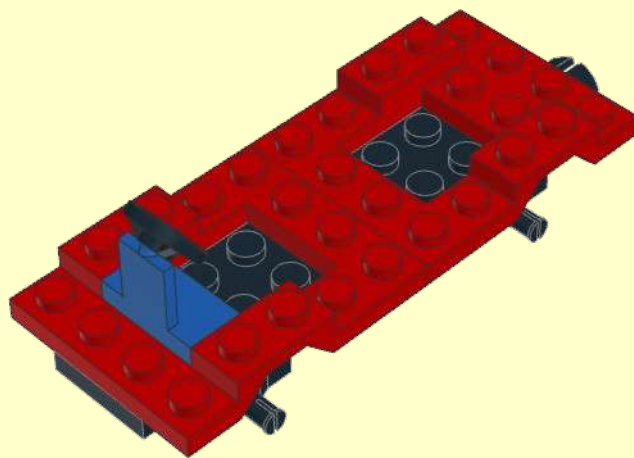
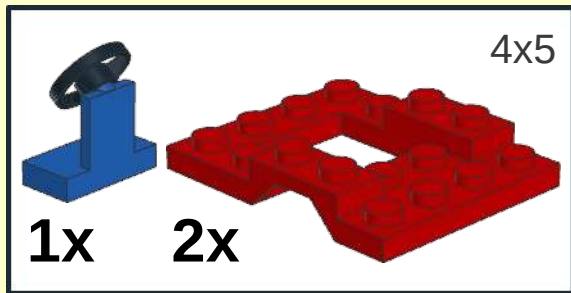
2



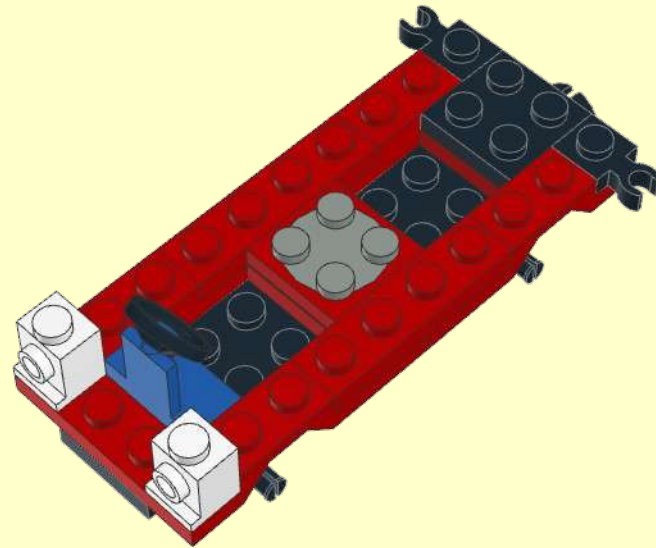
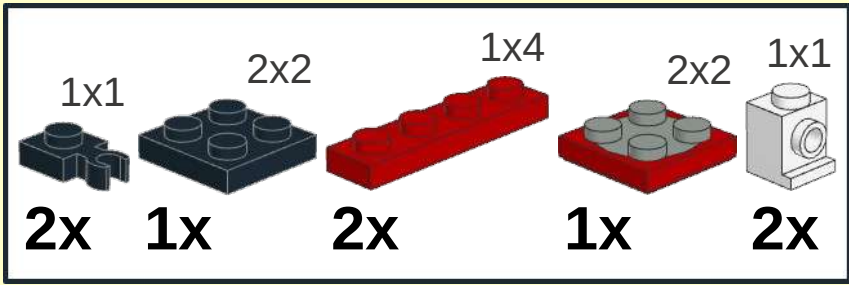
3



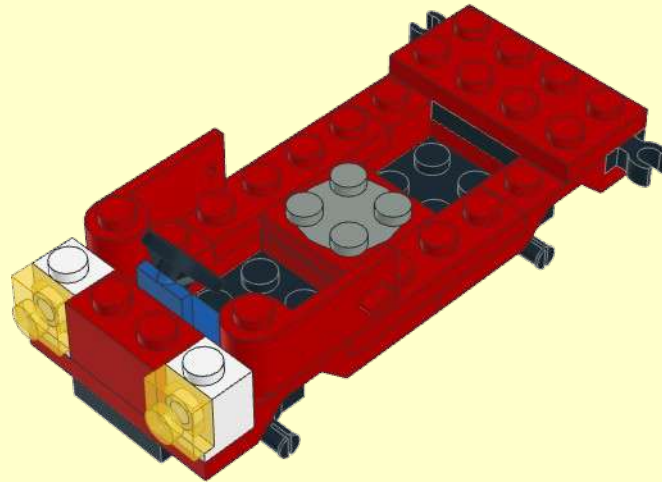
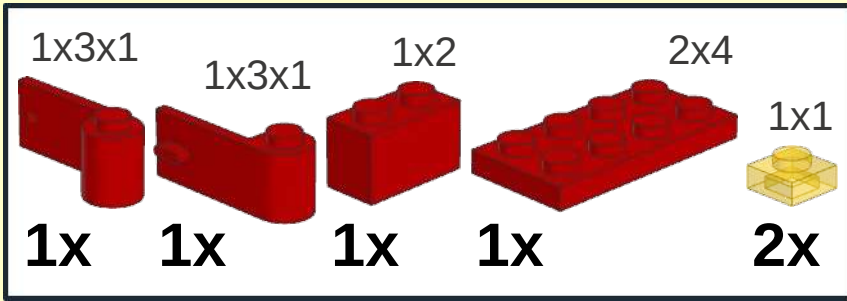
4



5

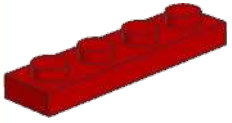


6

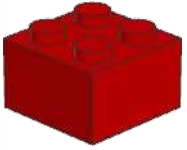


7

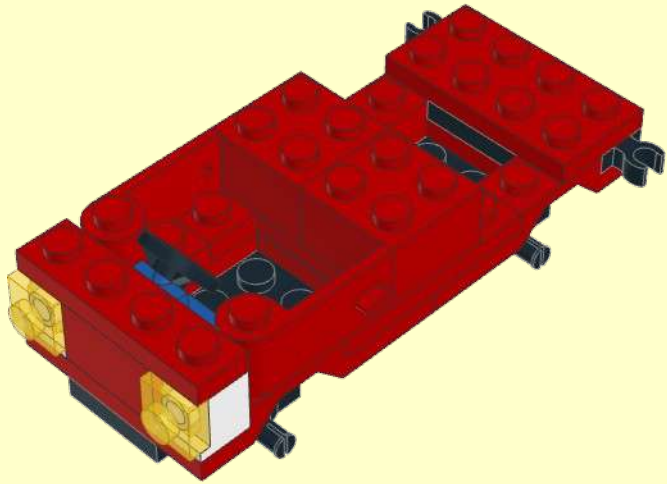
1x4



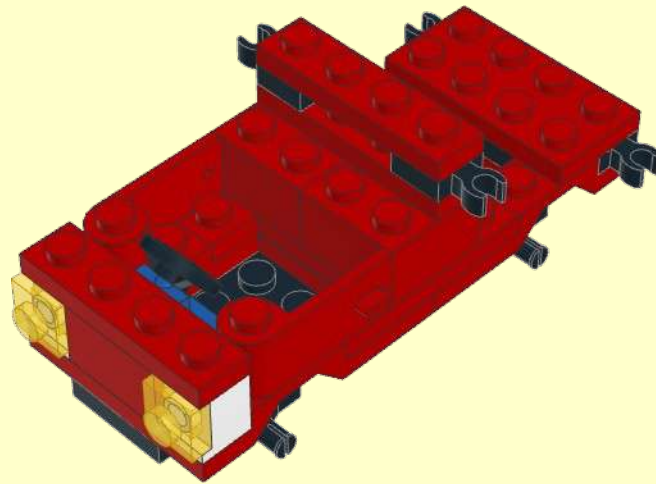
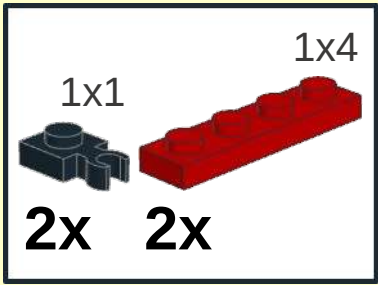
1x 2x2



2x



8



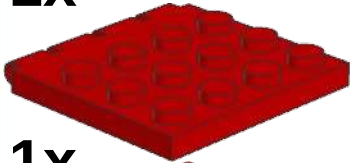
9

2x4x2

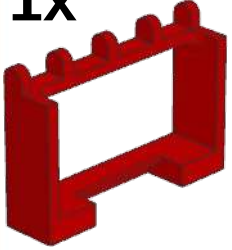


1x

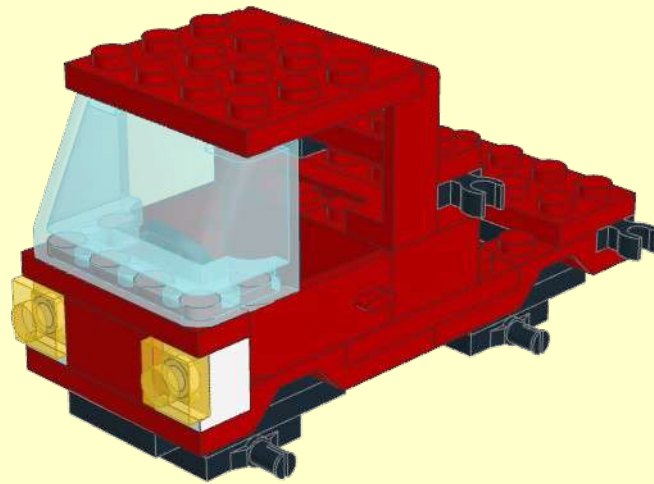
4x4



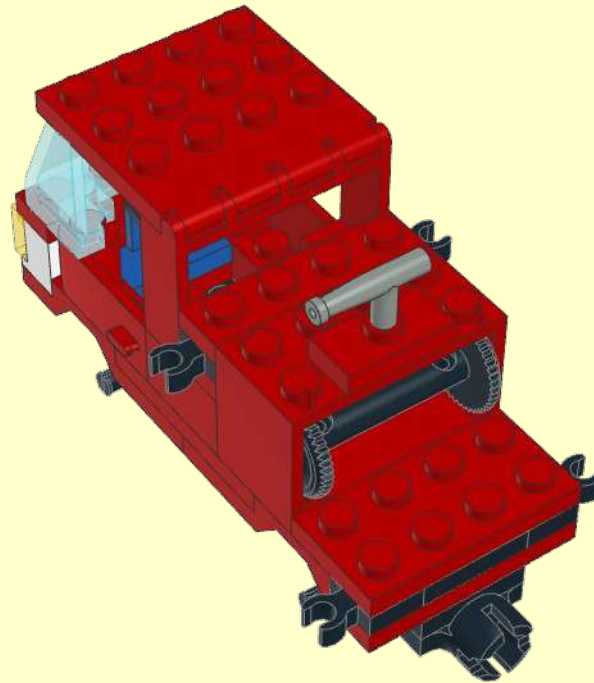
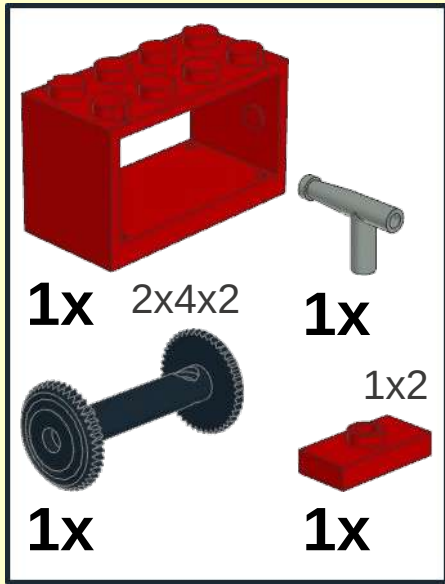
1x

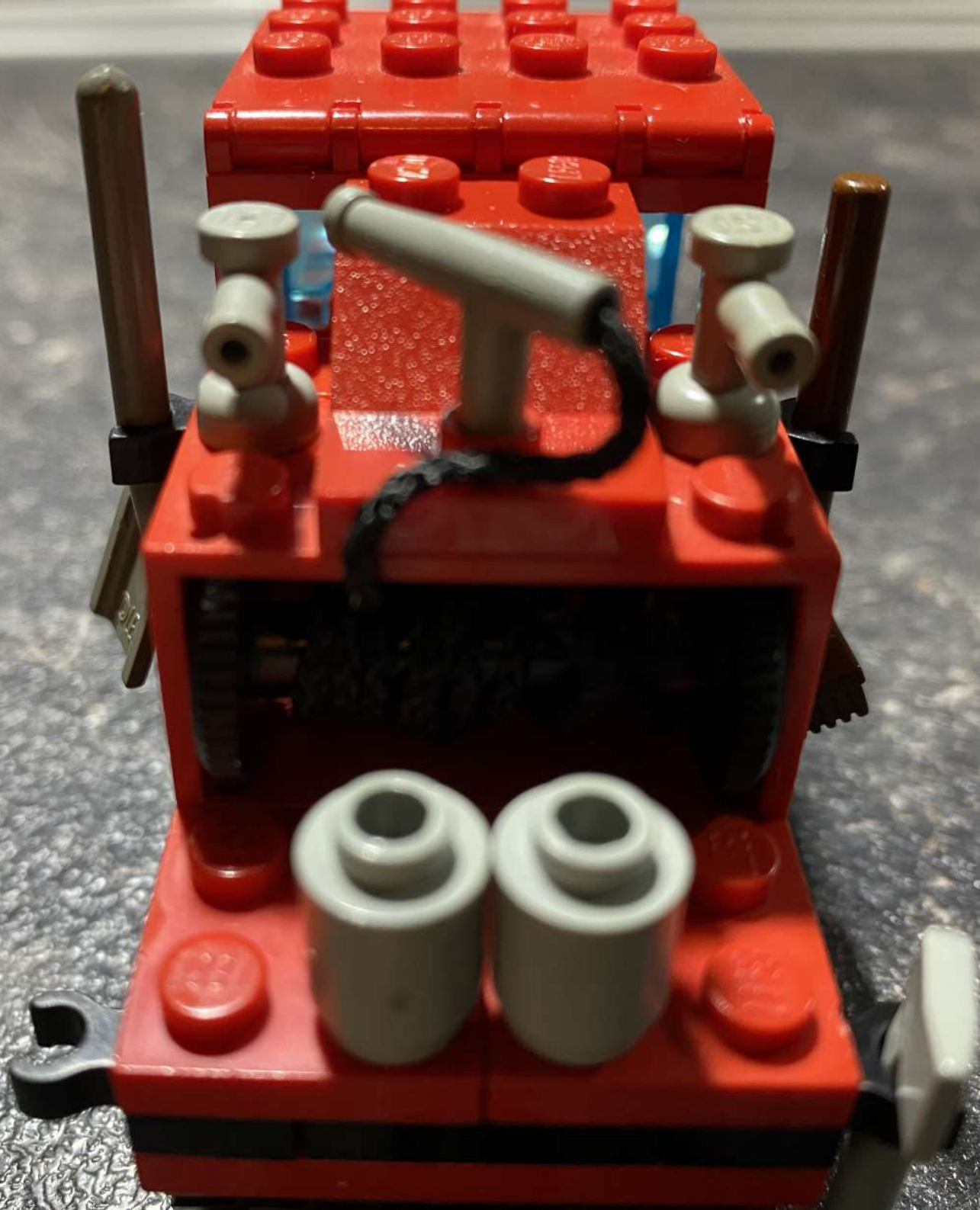


1x

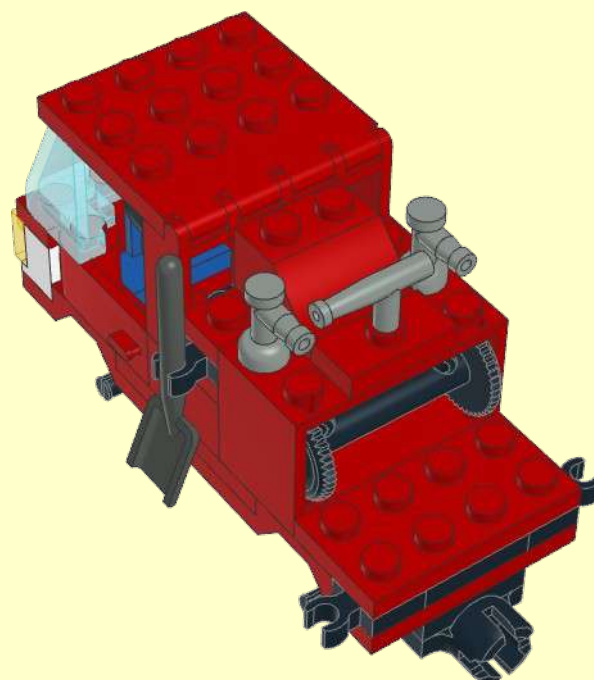


10

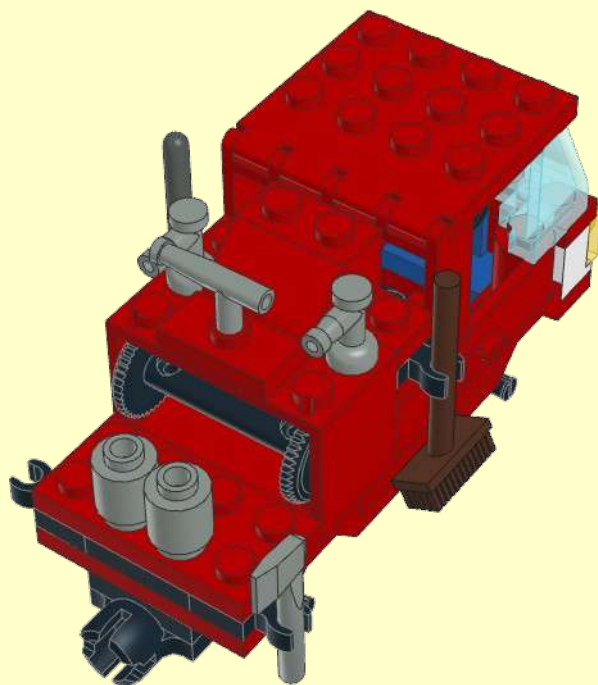
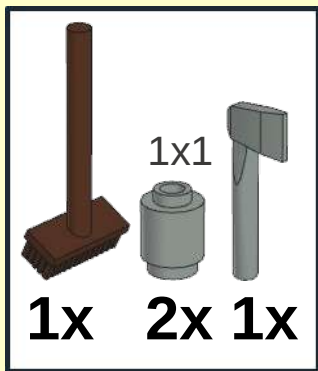




11

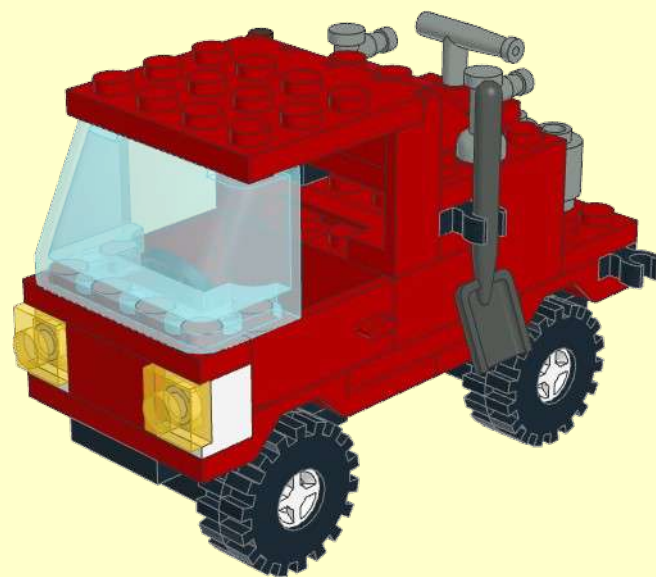


12



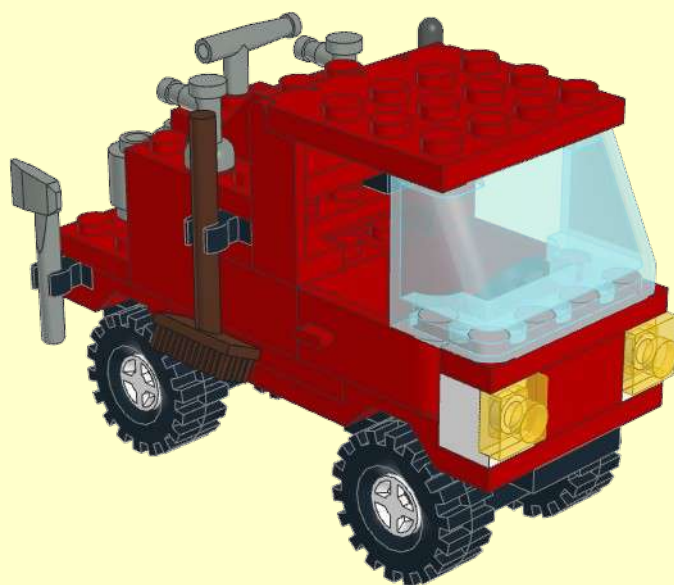
13

| | |
|---|-------|
| 8/75x8 | |
|  | 6.4x8 |
|  | |
| 2x | 2x |



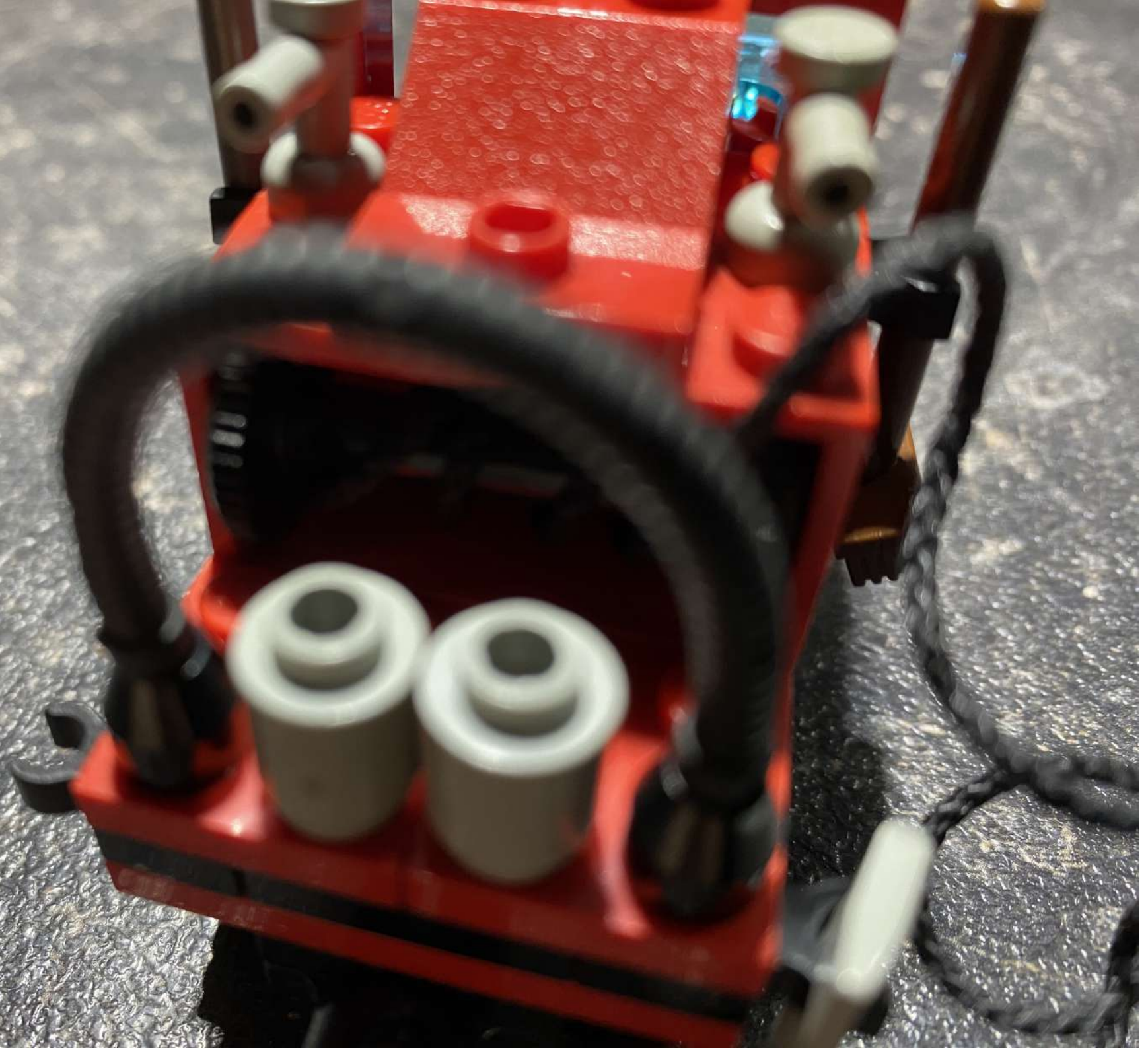
14

| | |
|---|-----------|
| 8/75x8 | |
|  | 6.4x8 |
|  | |
| 2x | 2x |

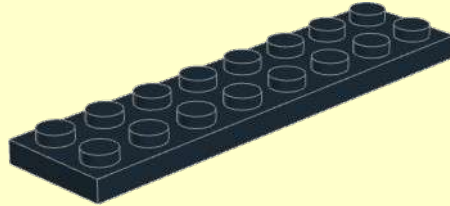
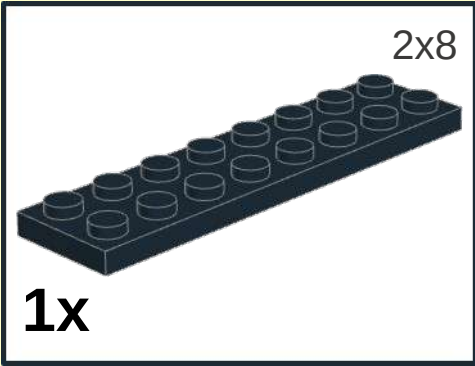
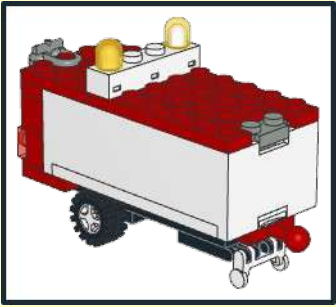


15

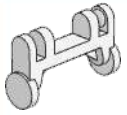




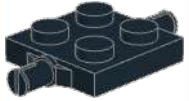
1



2



1x 2x2

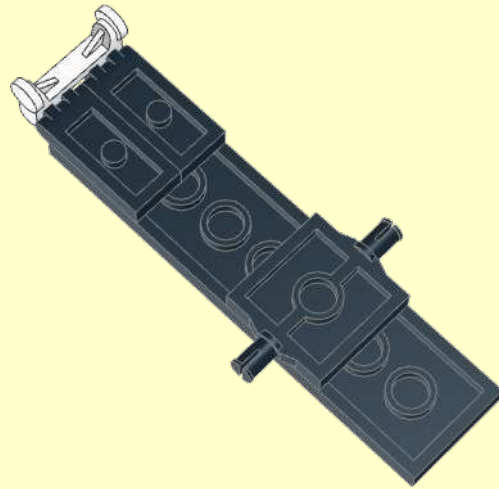


1x

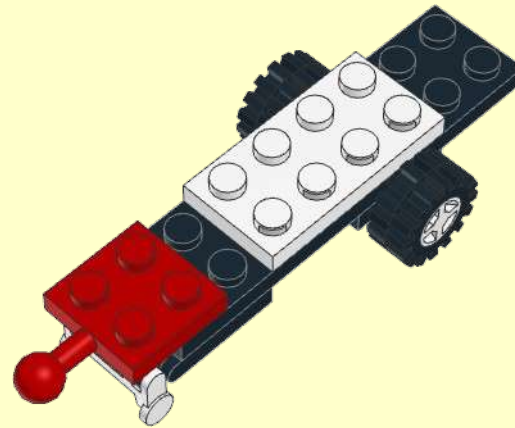
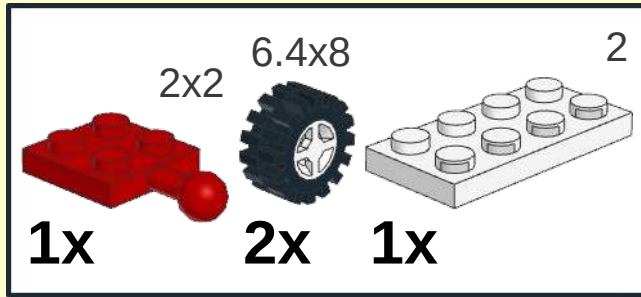
1x2

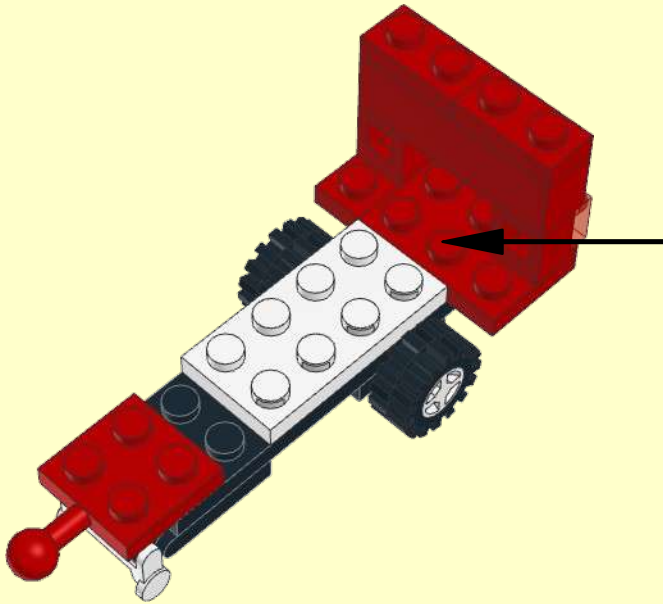


2x



3





1

1x2 2x3
1x 1x

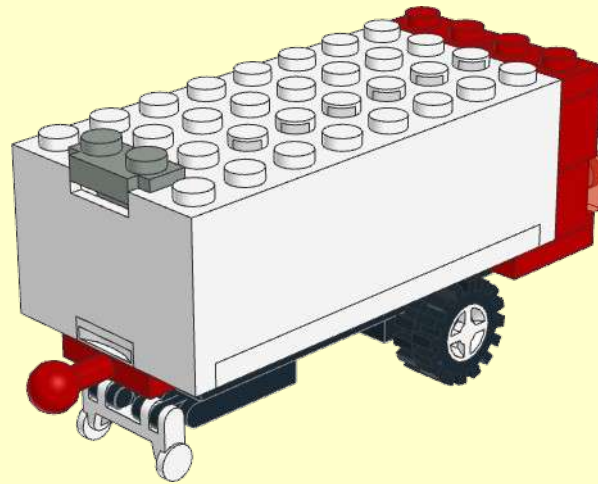
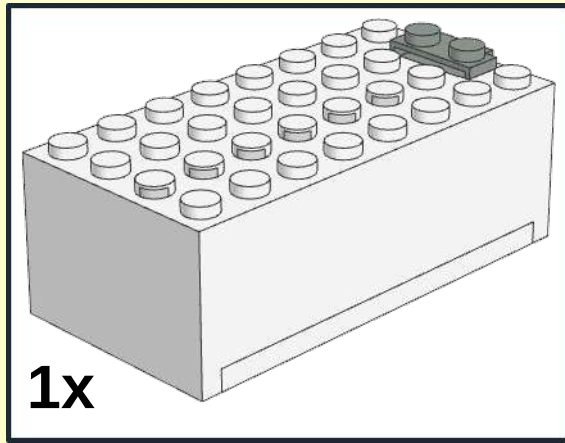
2

1x1 1x4 1x1
2x 1x 2x

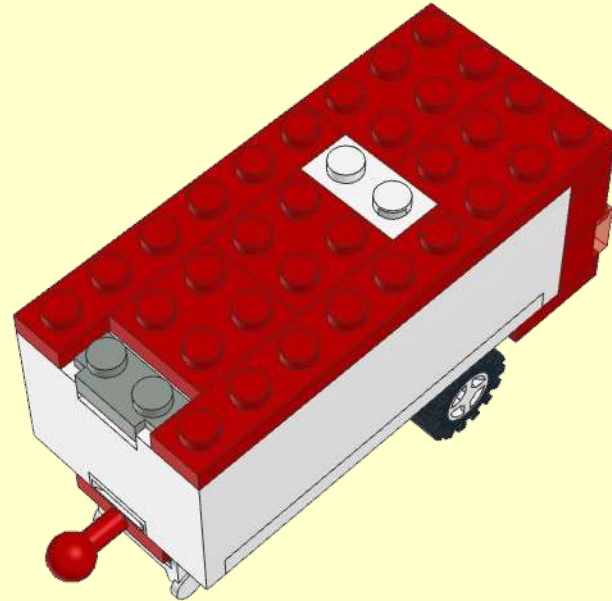
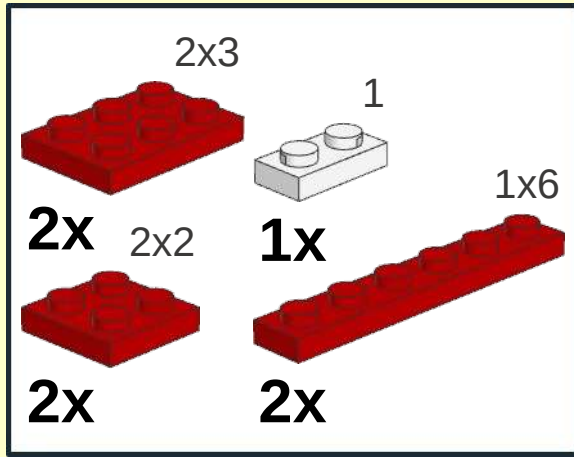
3

1x2
2x

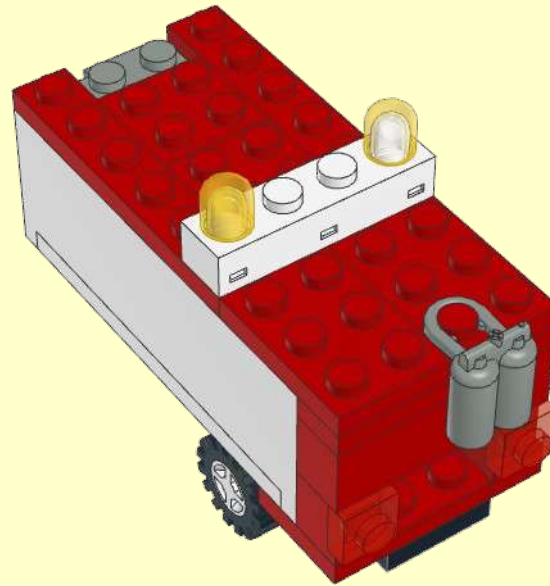
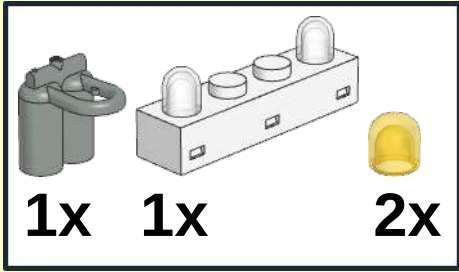
5



6



7



3

