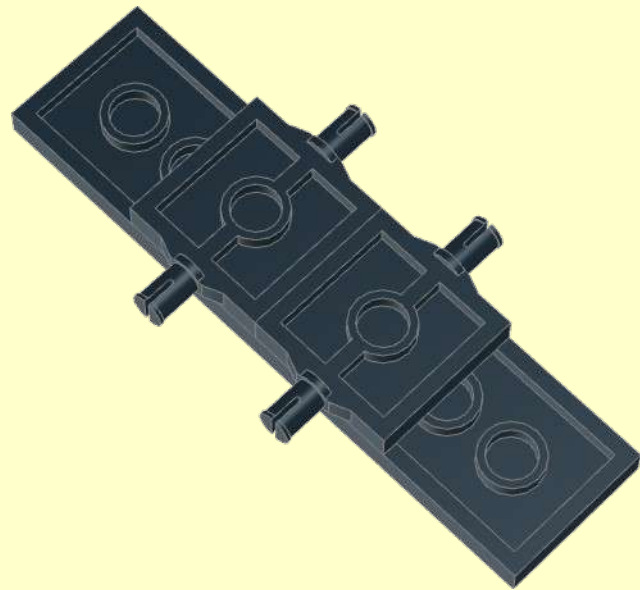
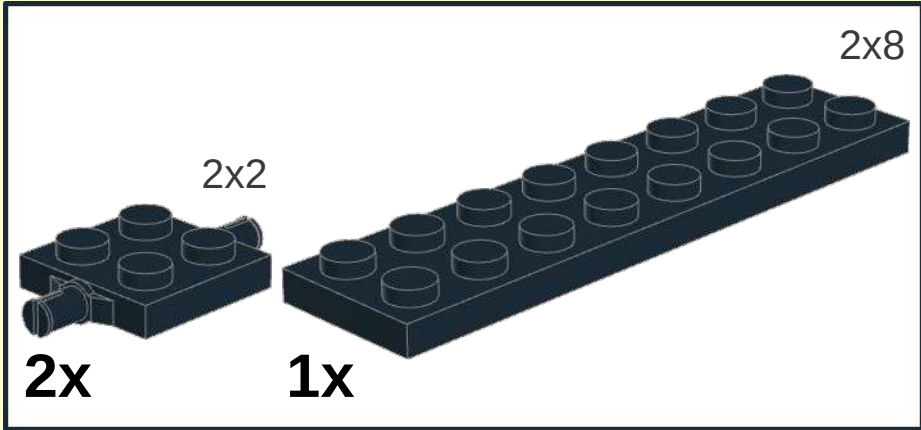
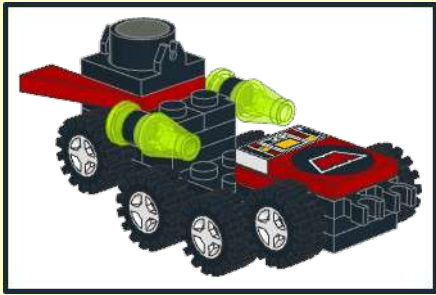
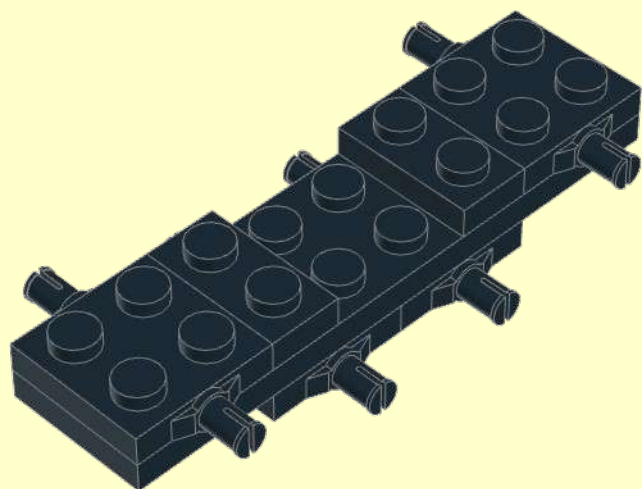
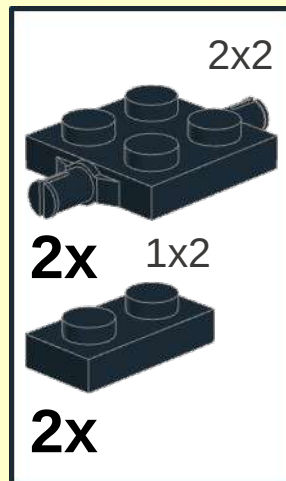


1



2

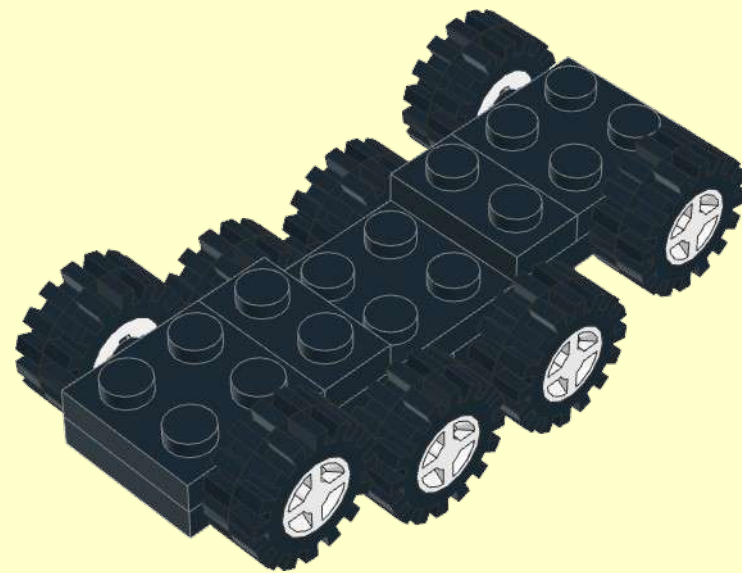


3

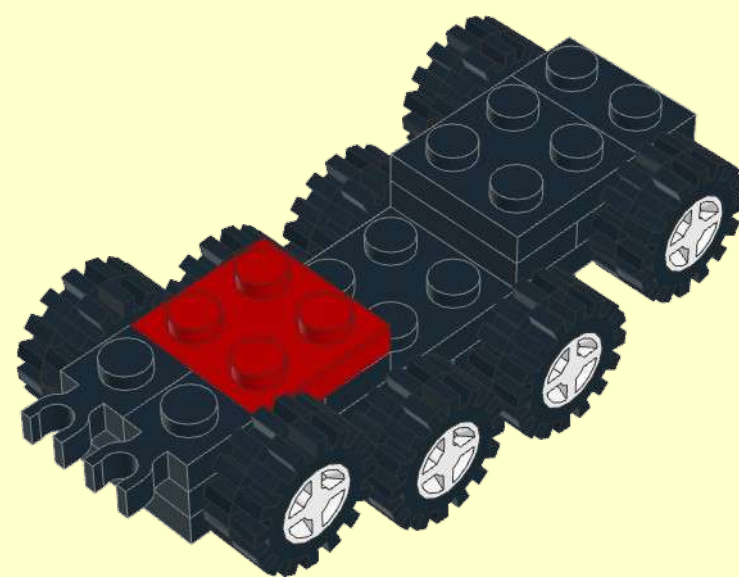
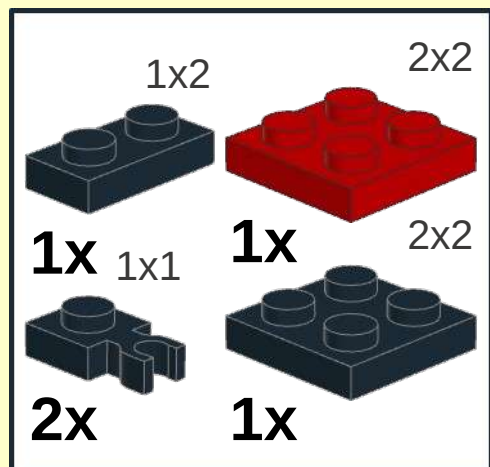
6.4x8




8x




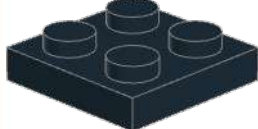
4





5

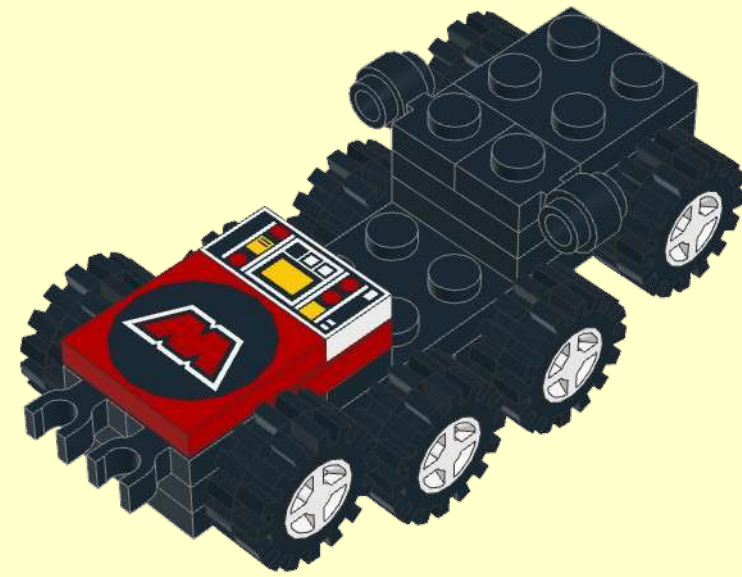
1x2


1x 2x2


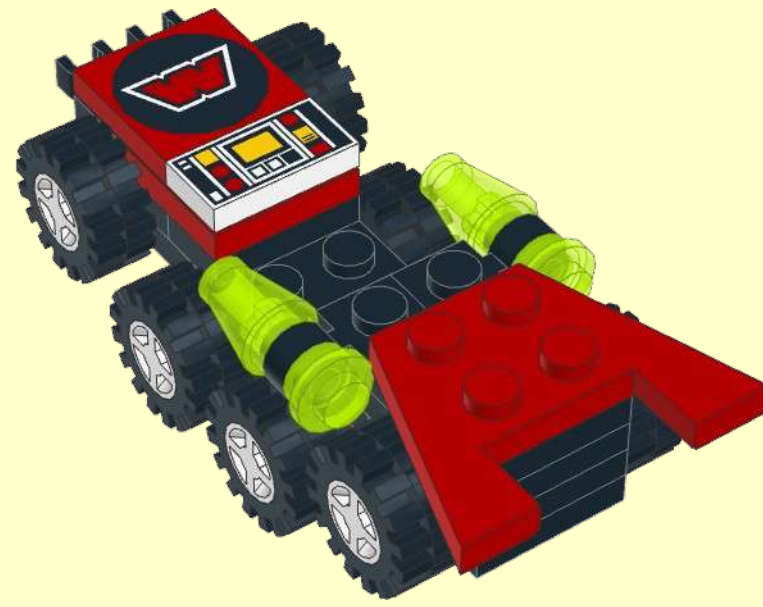
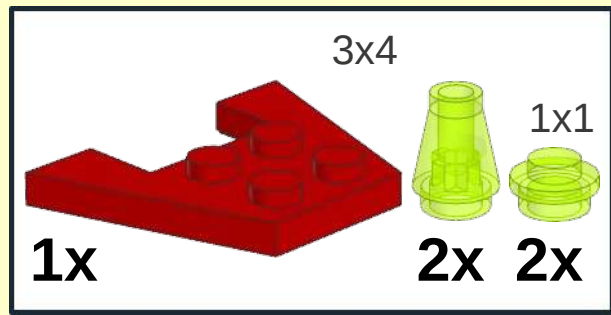
1x 2x2


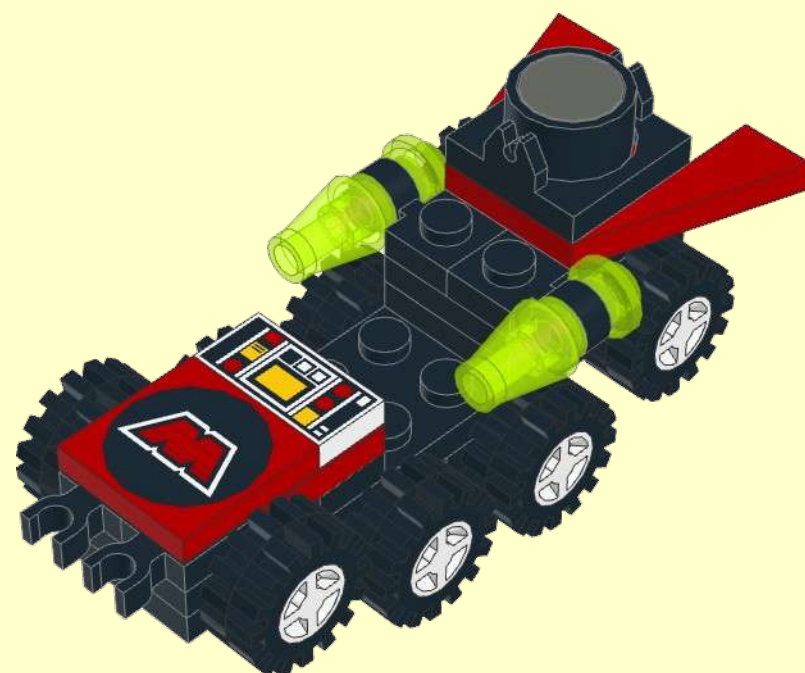
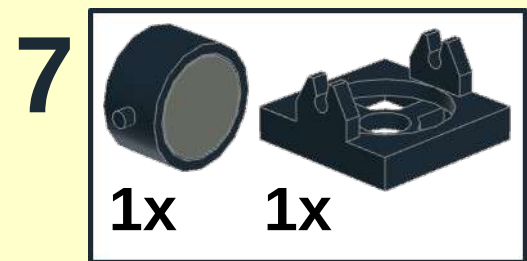
1x 1x1


2x


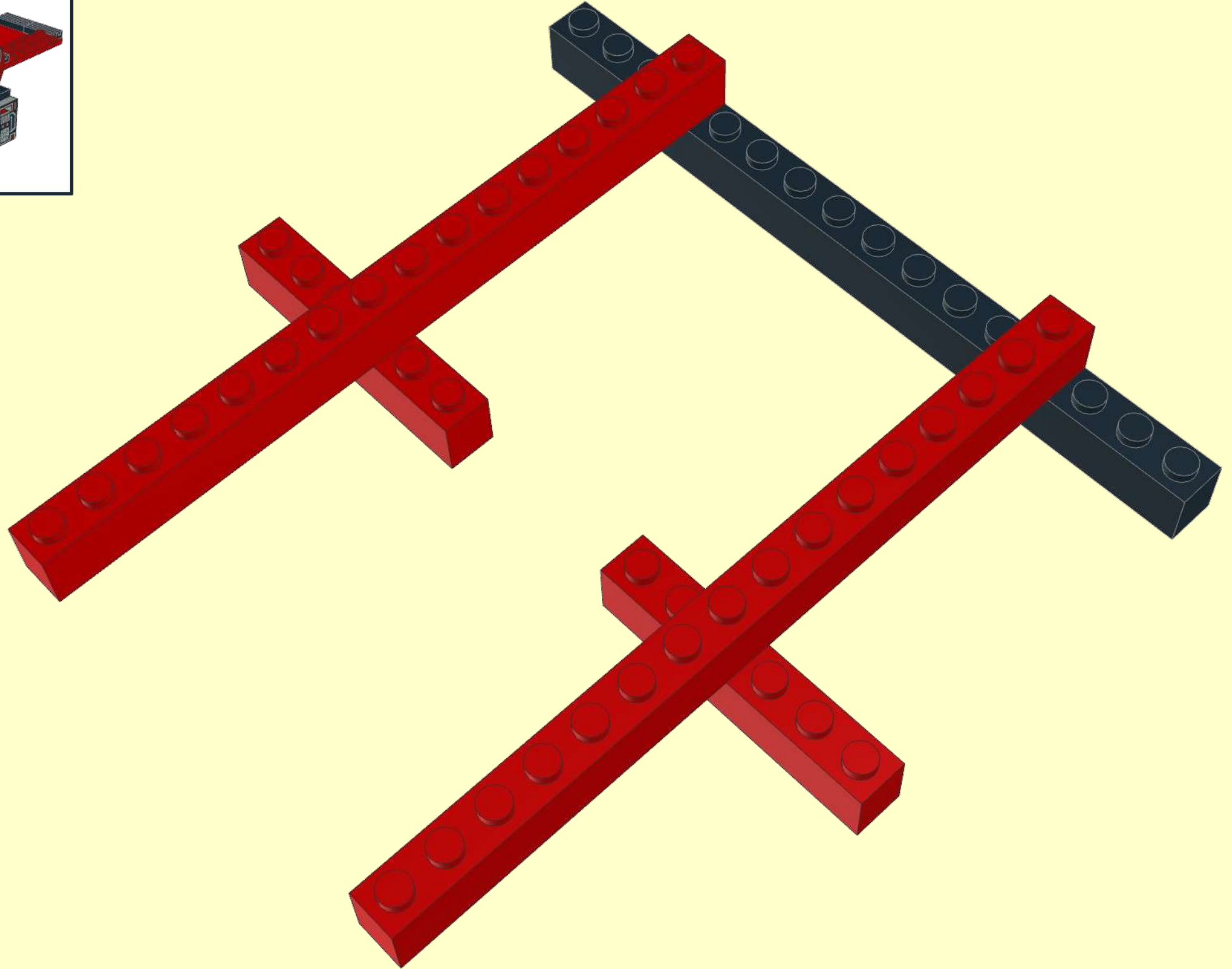
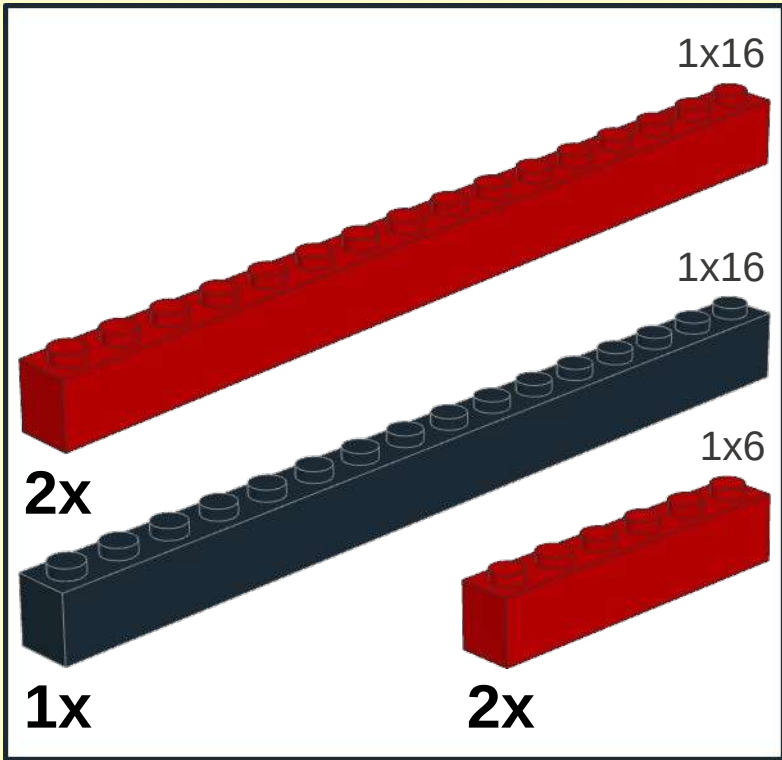
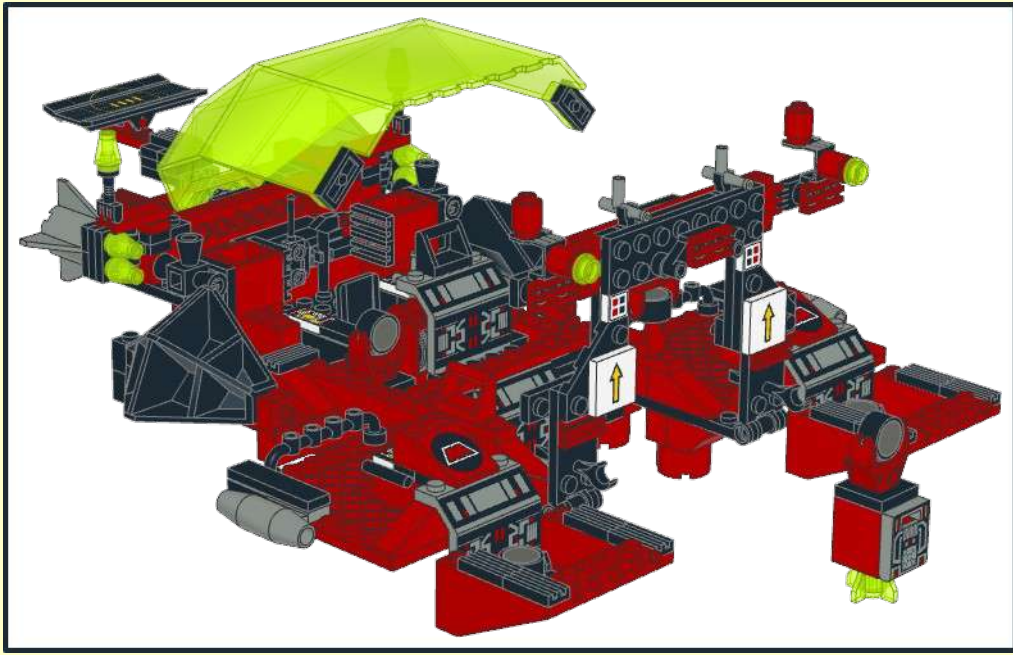


6

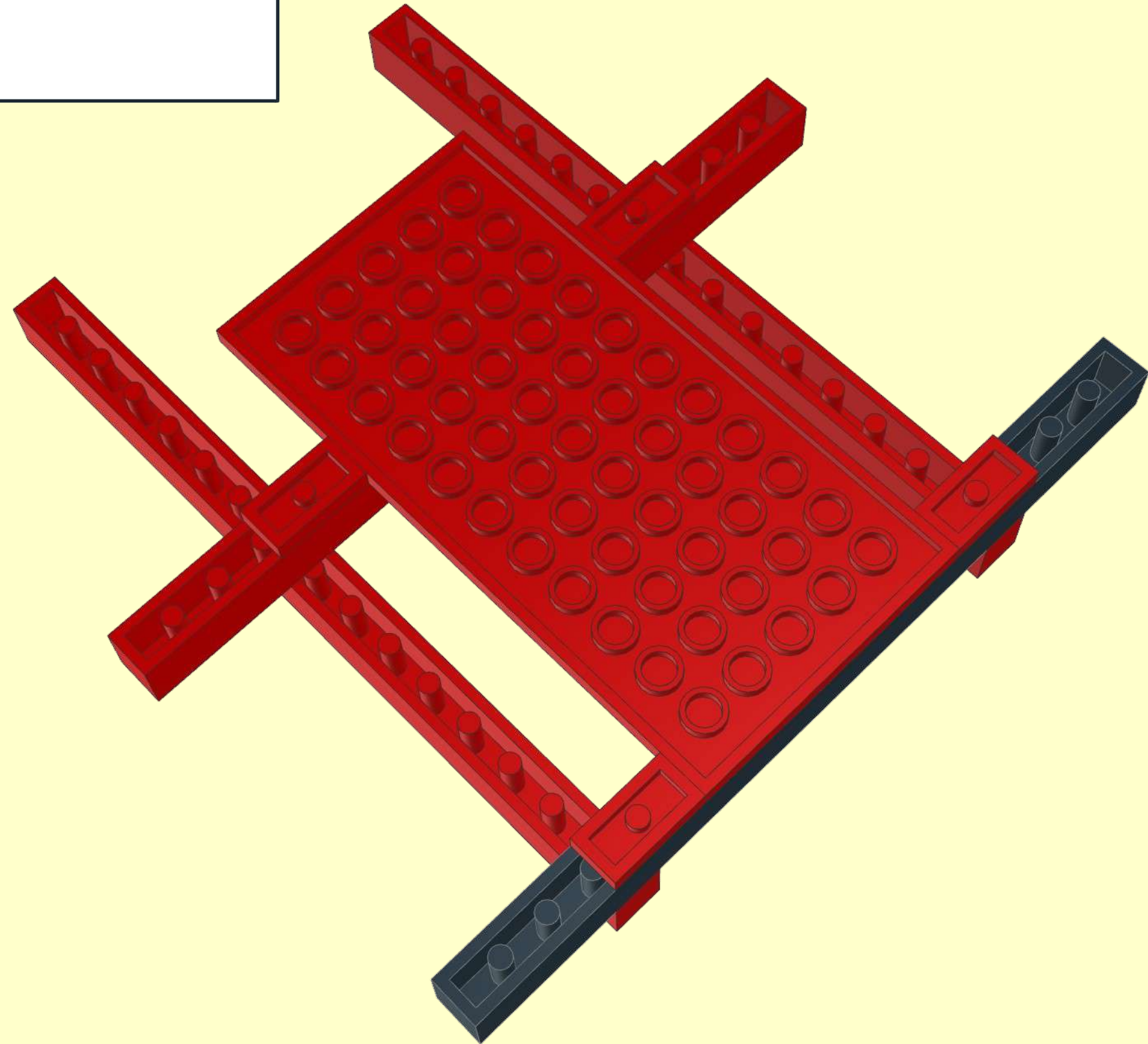
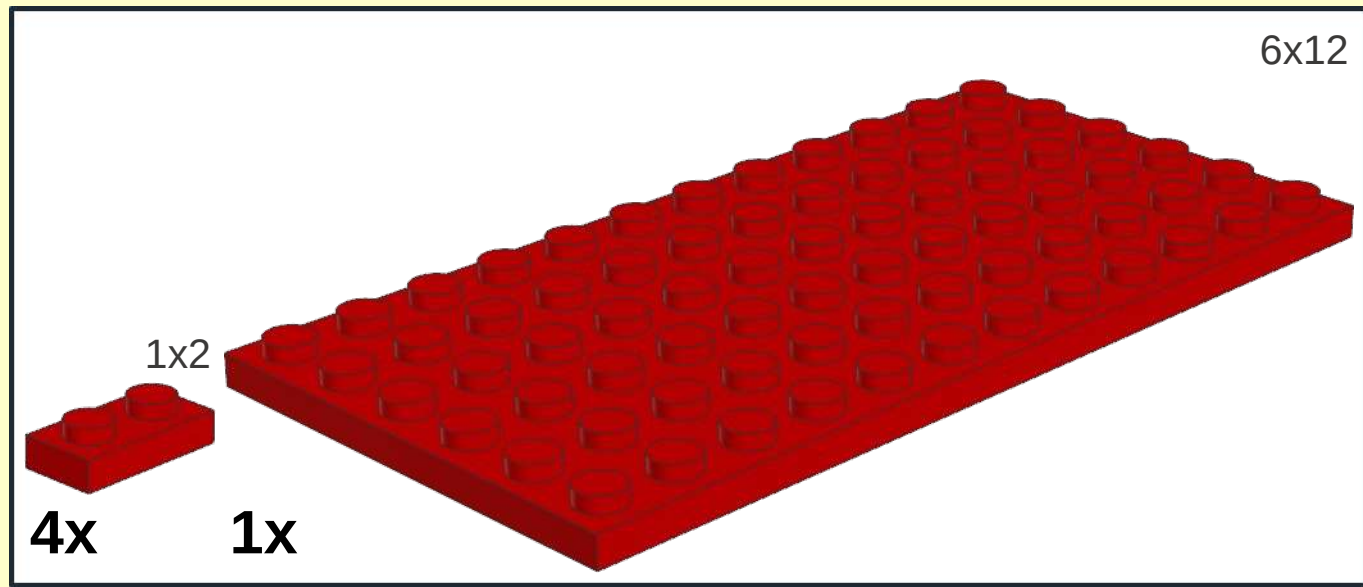




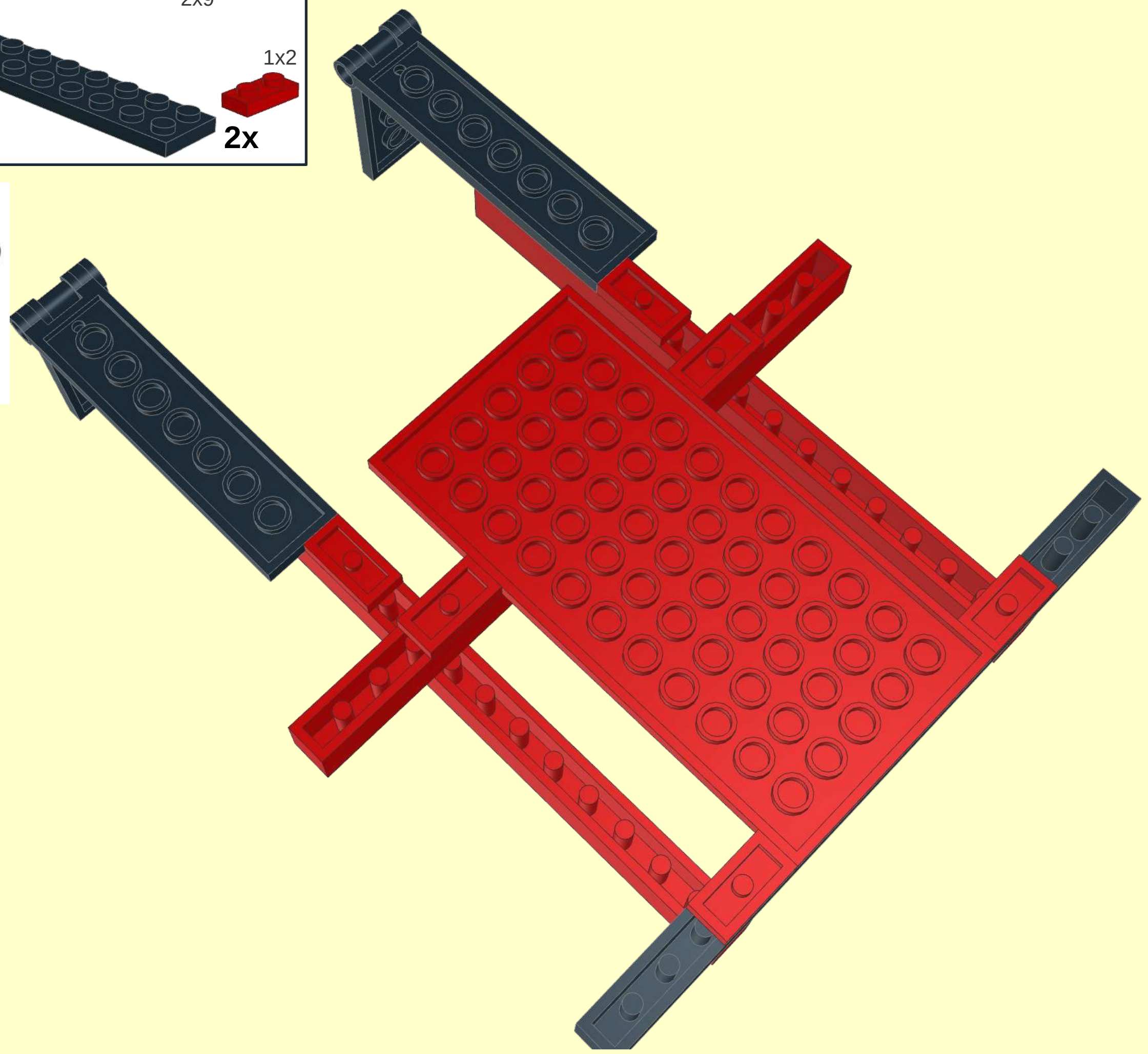
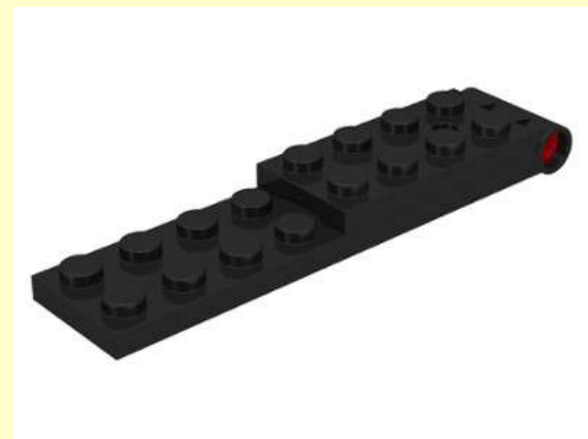
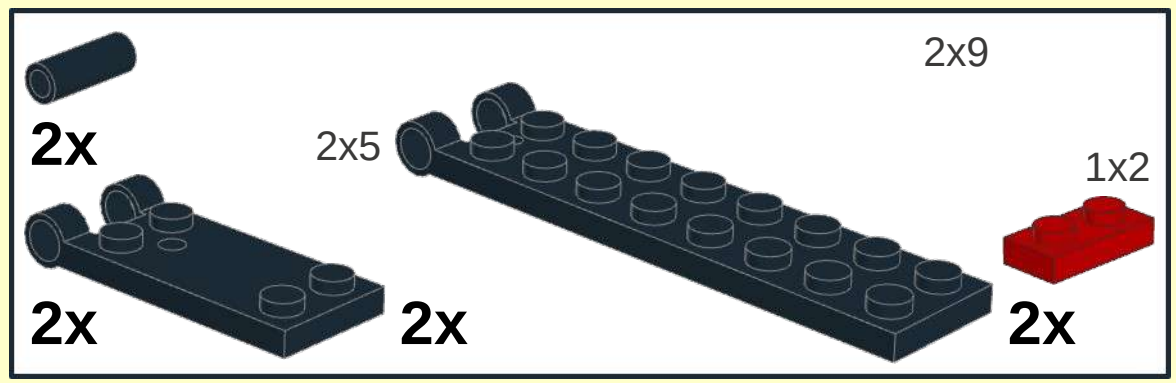
1



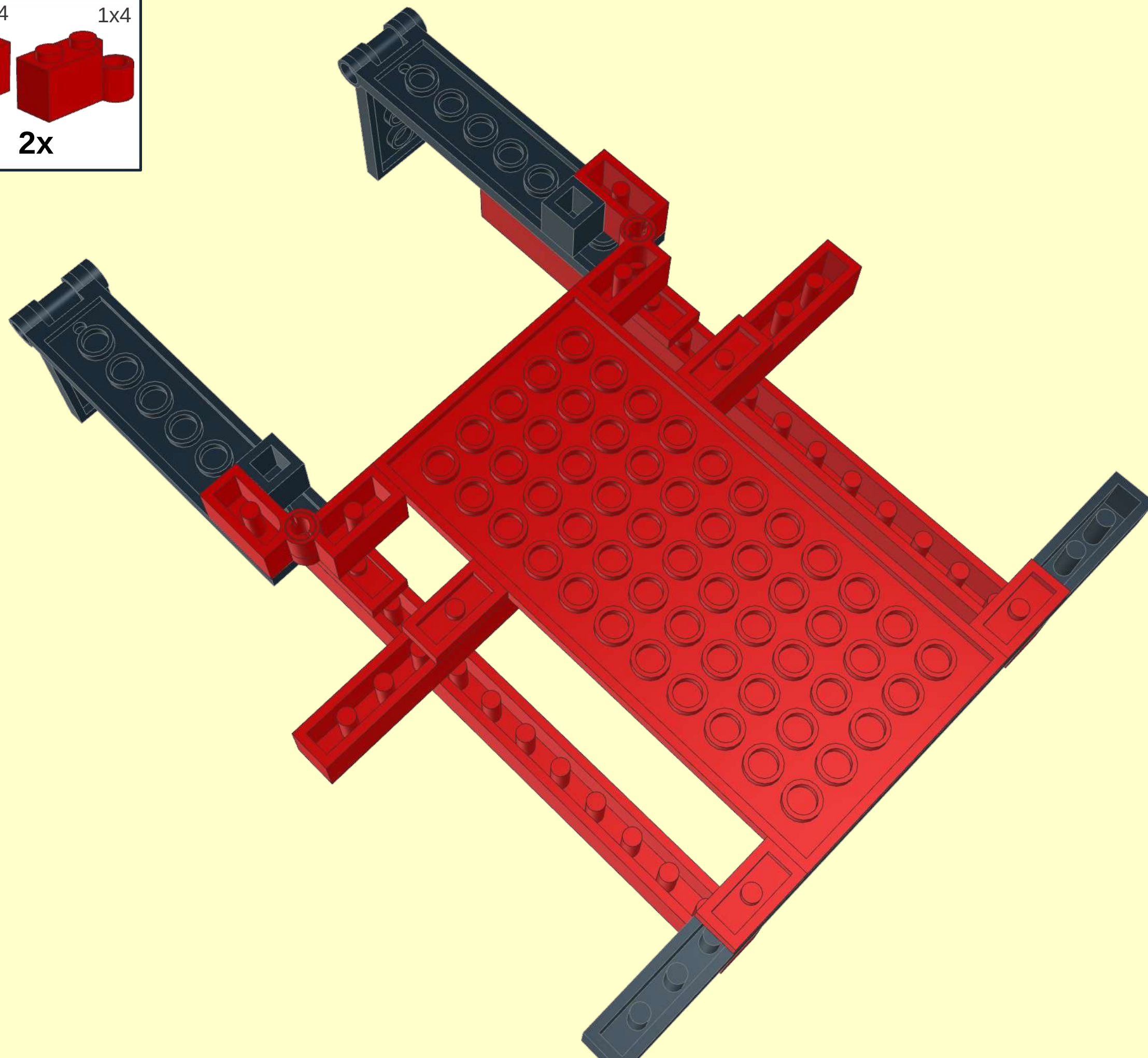
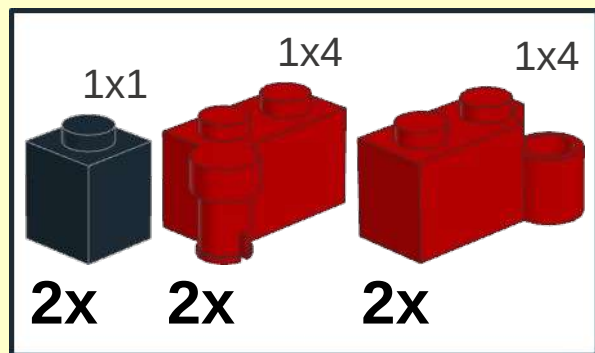
2



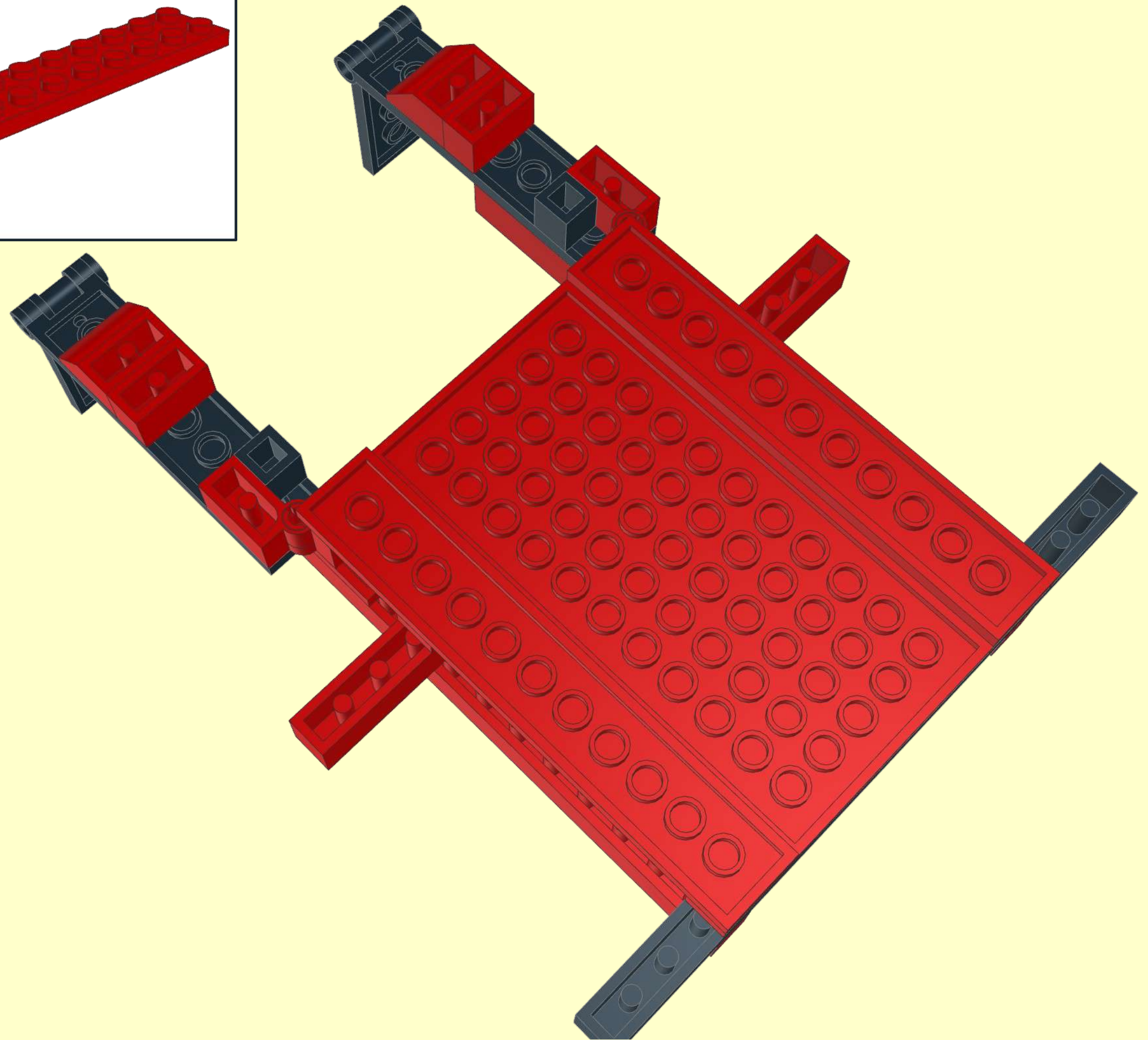
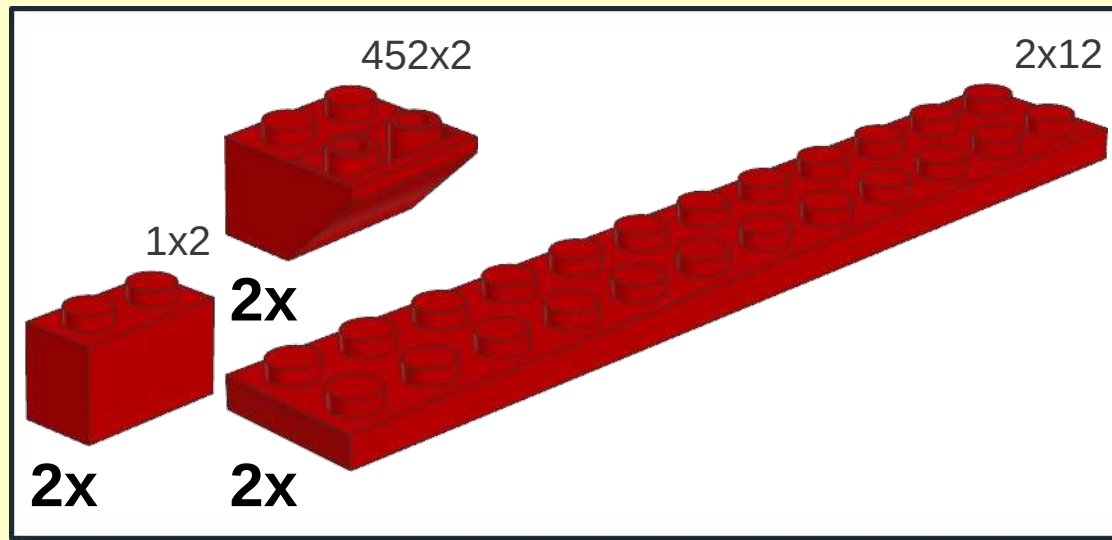
3



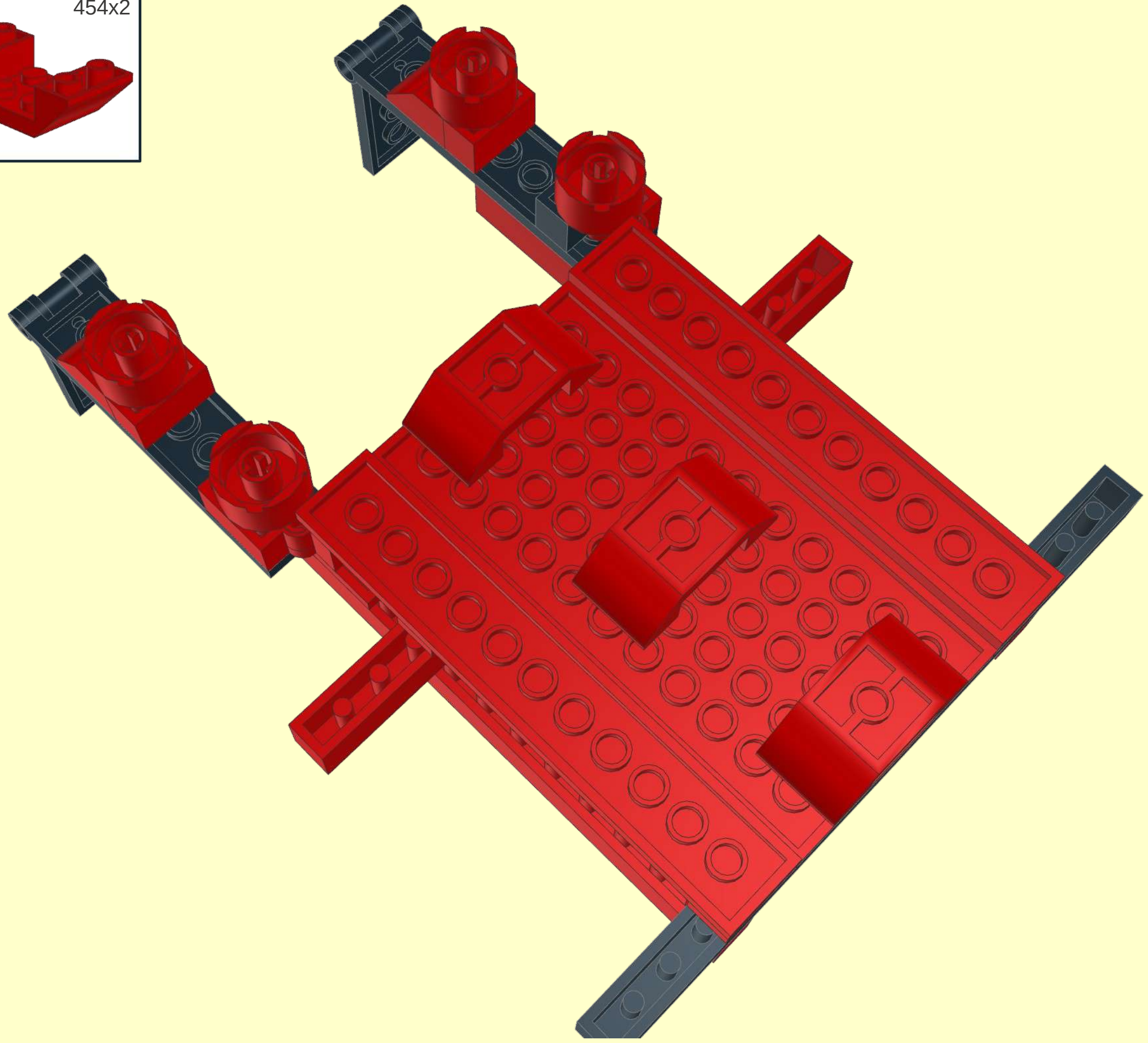
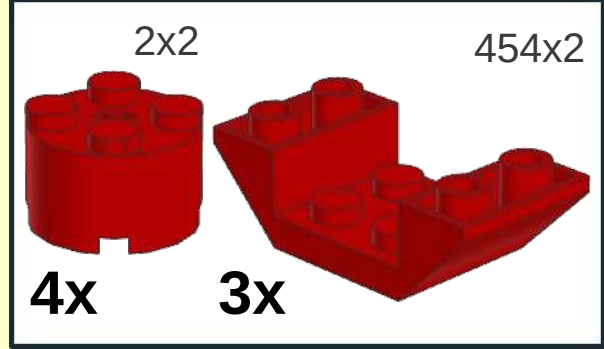
4



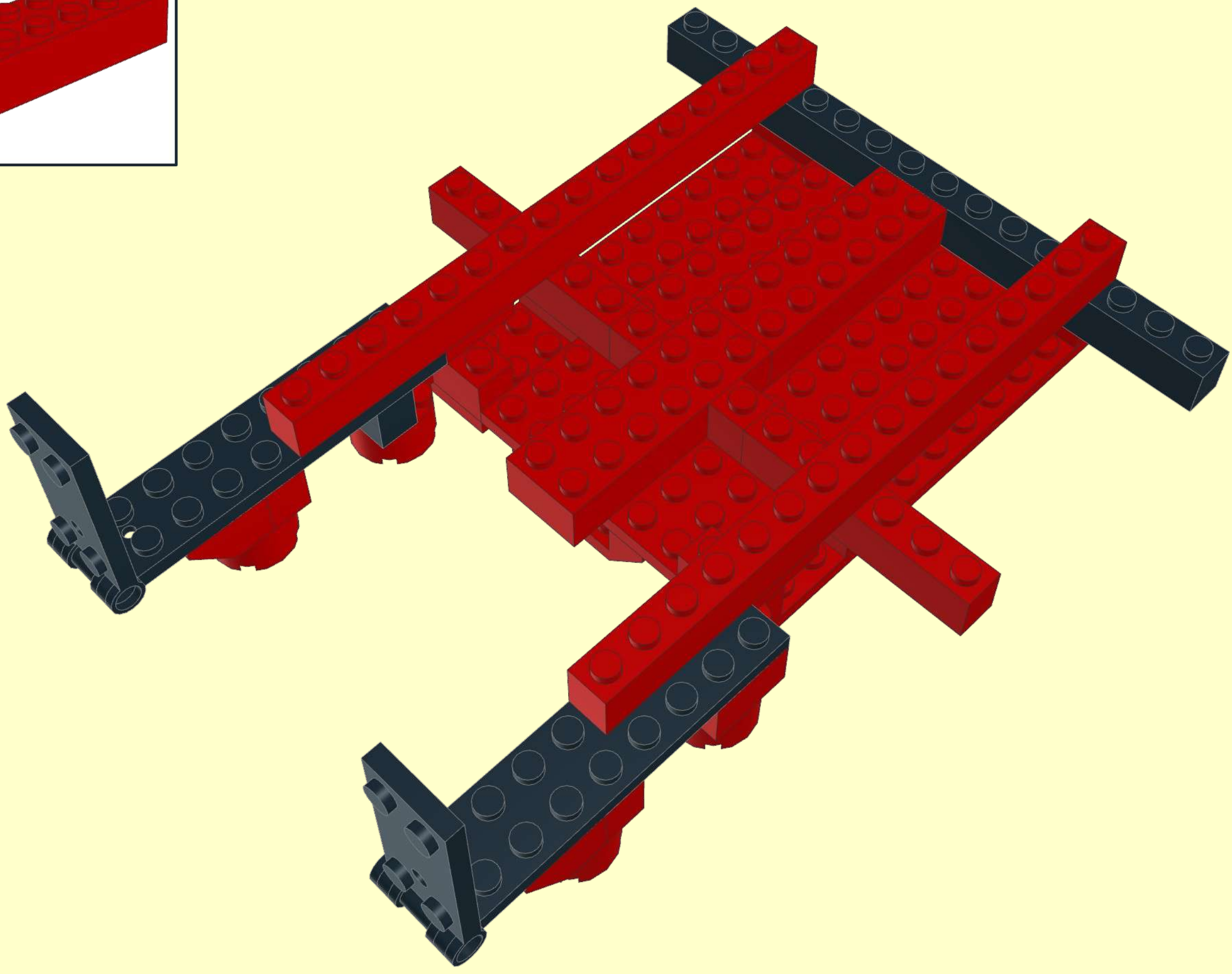
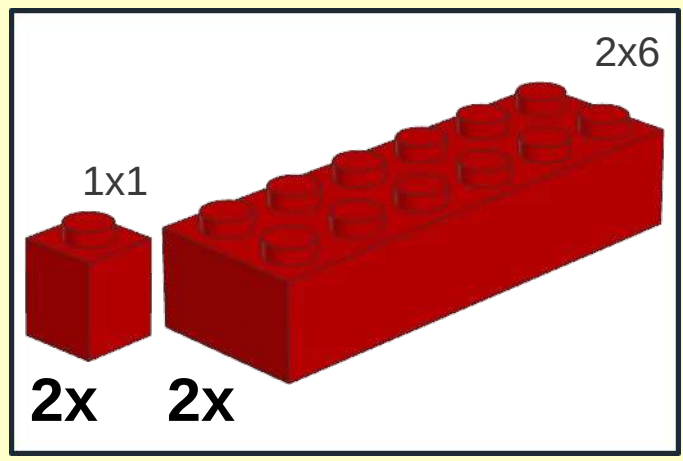
5



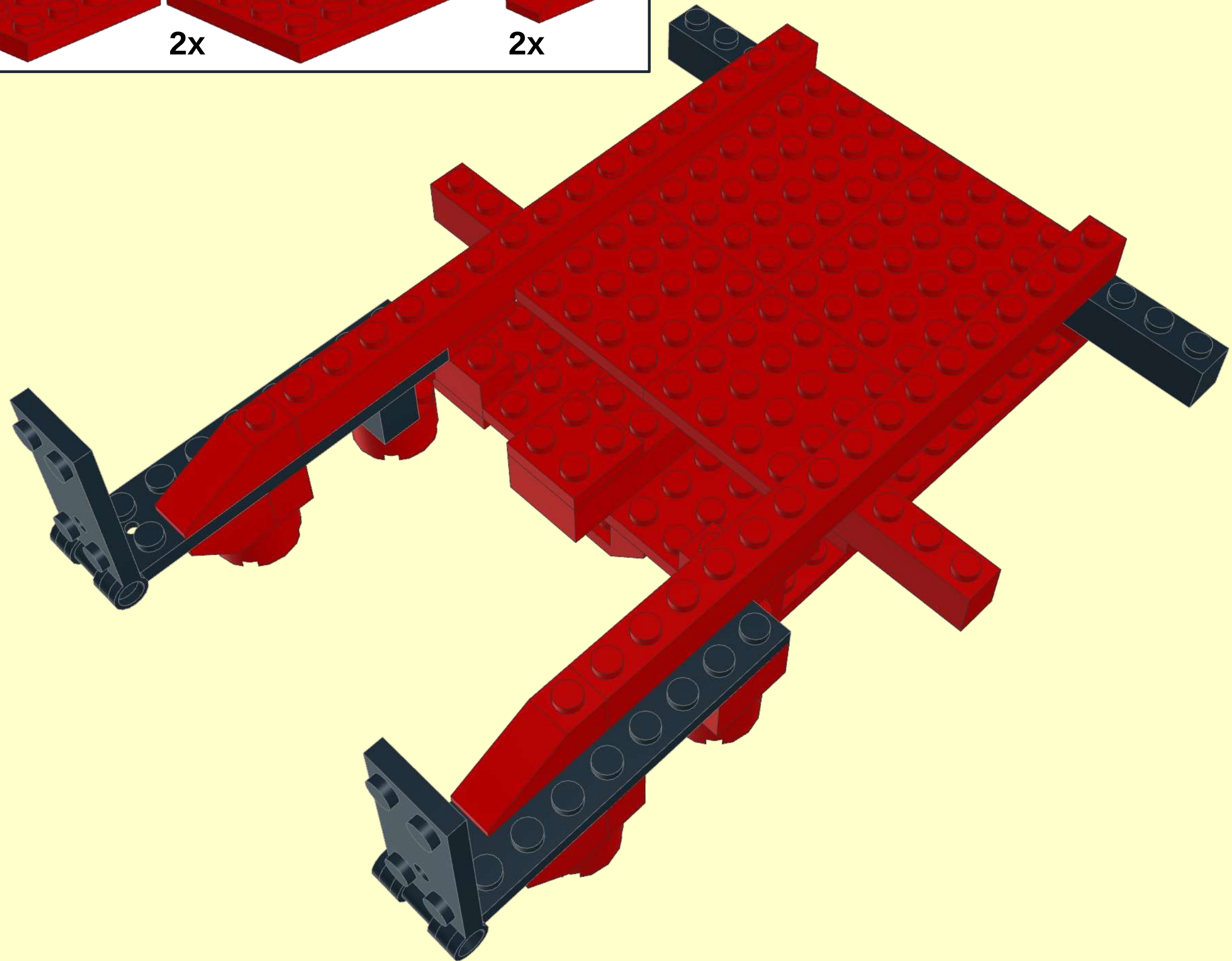
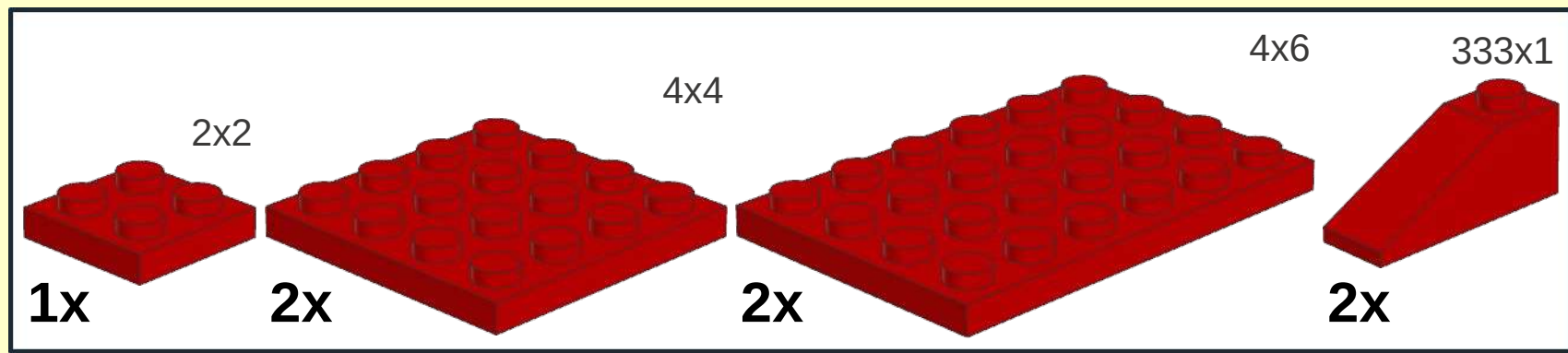
6



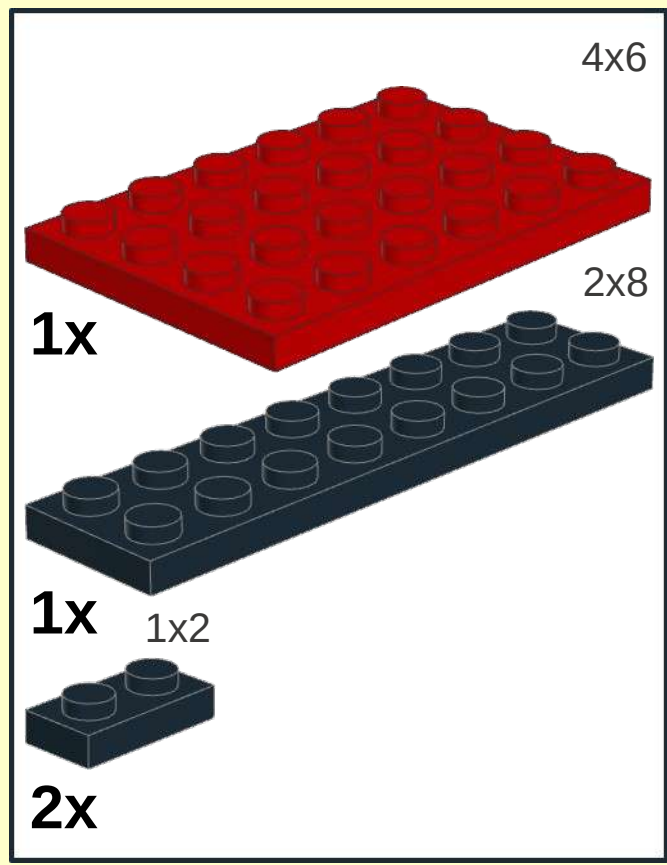
7



8

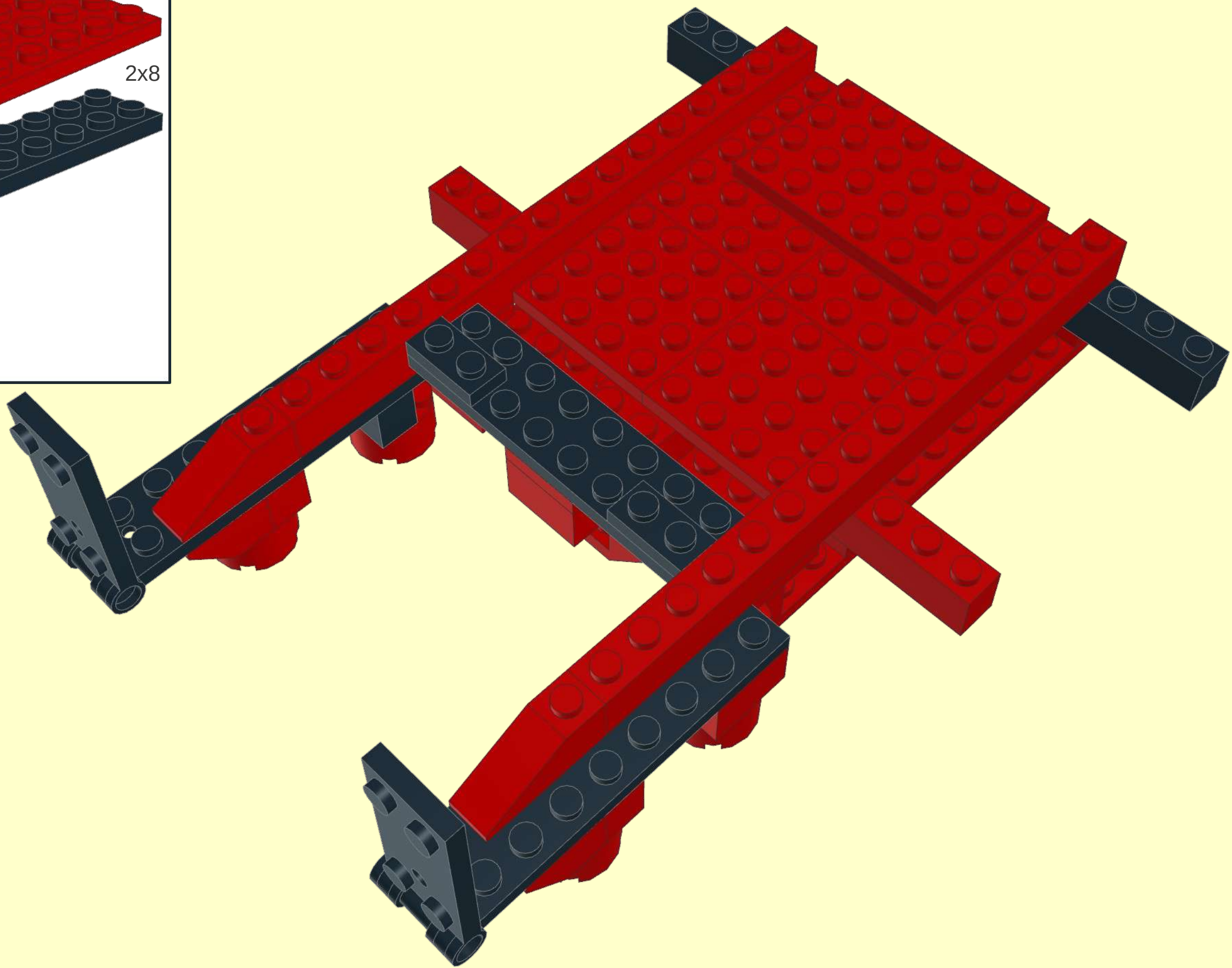


9

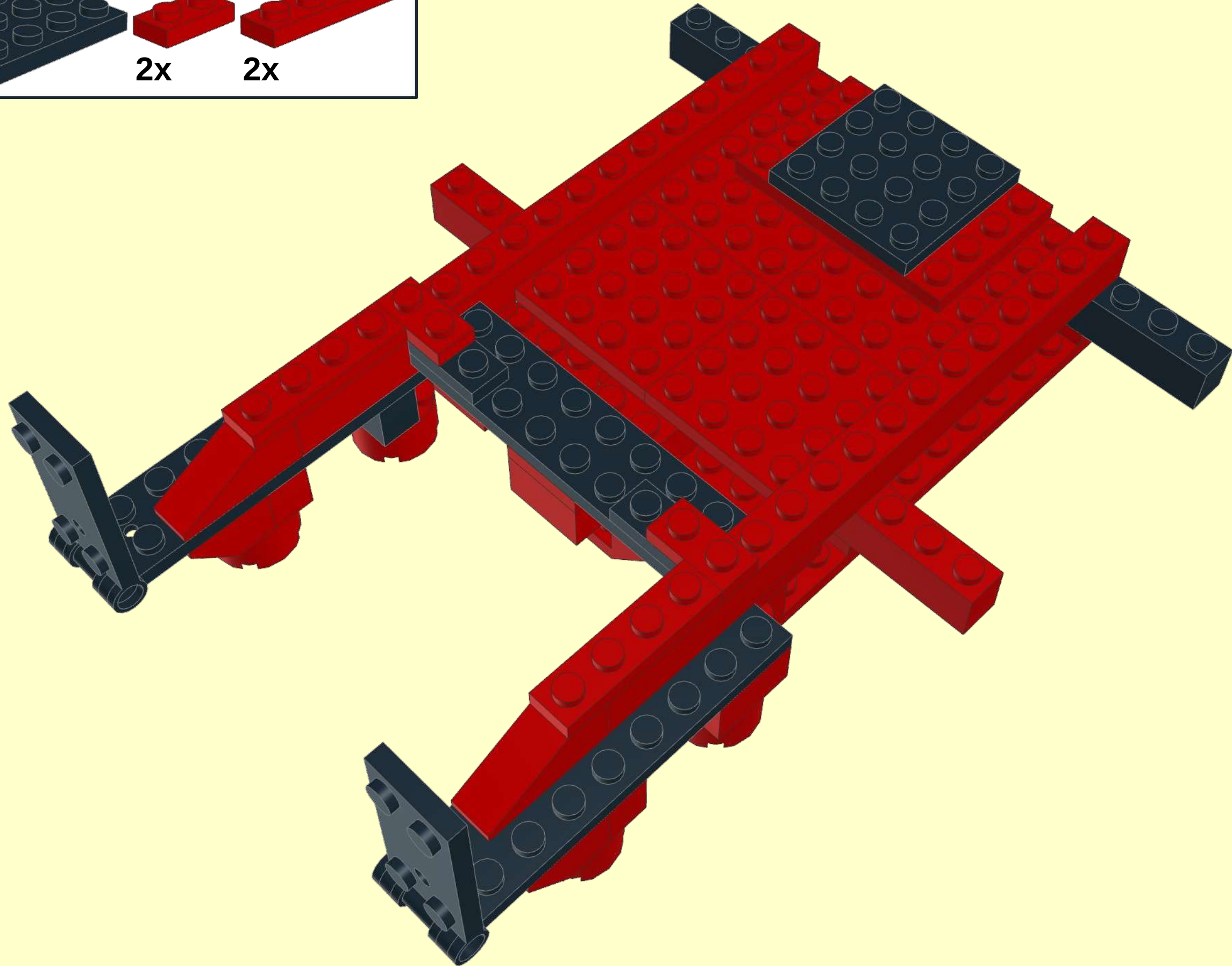
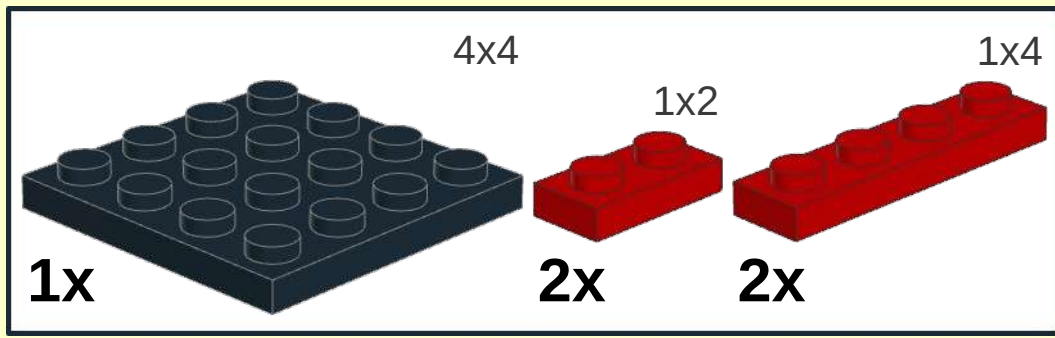


4x6
1x
2x8
1x 1x2
2x

This inset box lists the parts required for step 9. It includes a red 4x6 plate (1x), a dark grey 2x8 Technic beam (1x), a dark grey 1x2 Technic beam (1x), and two dark grey 1x2 Technic Technic connectors (2x).

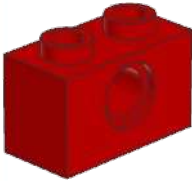


10




11

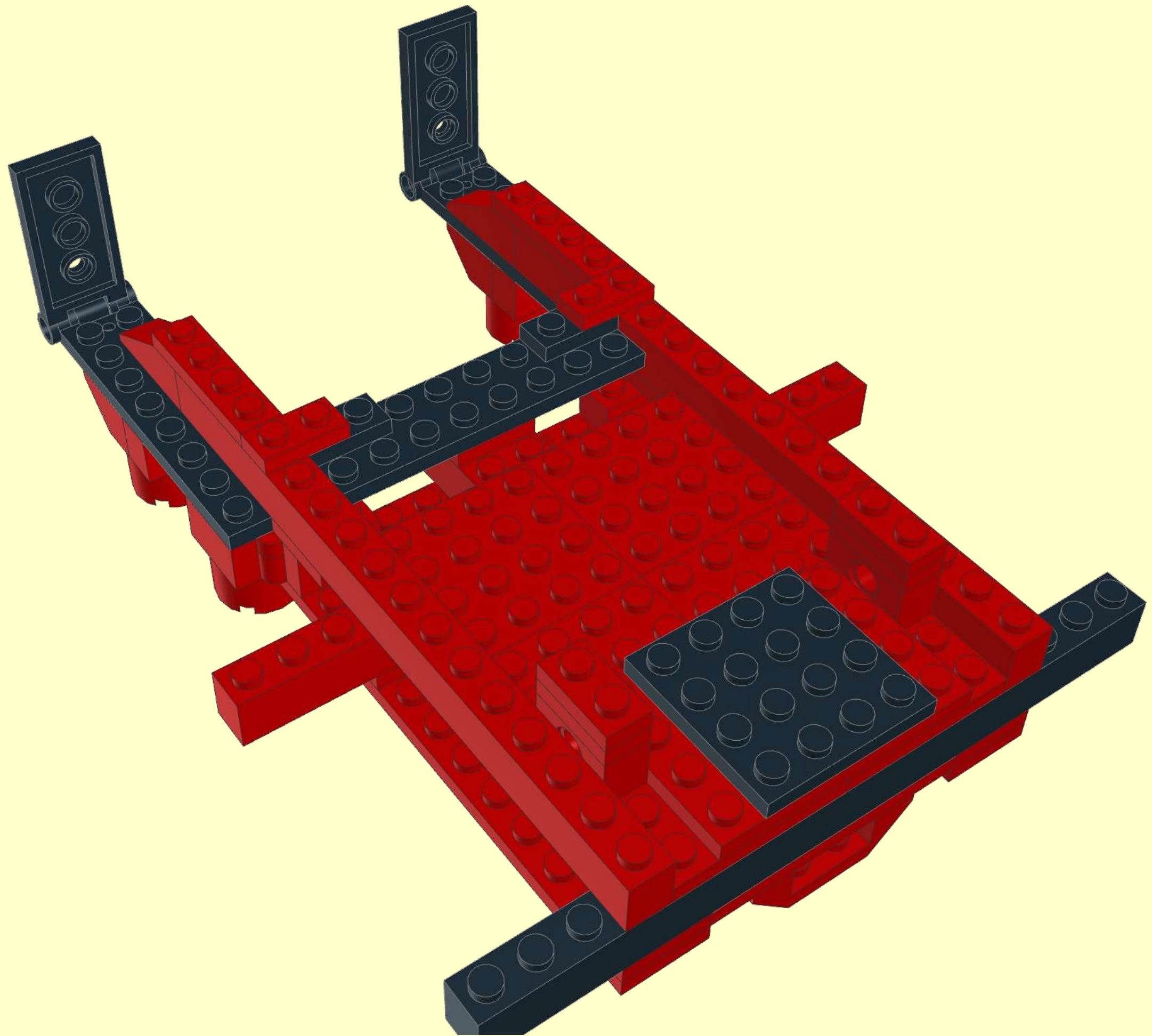
1x2




2x 1x2

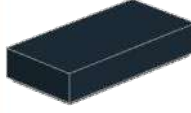


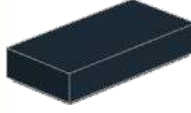
4x

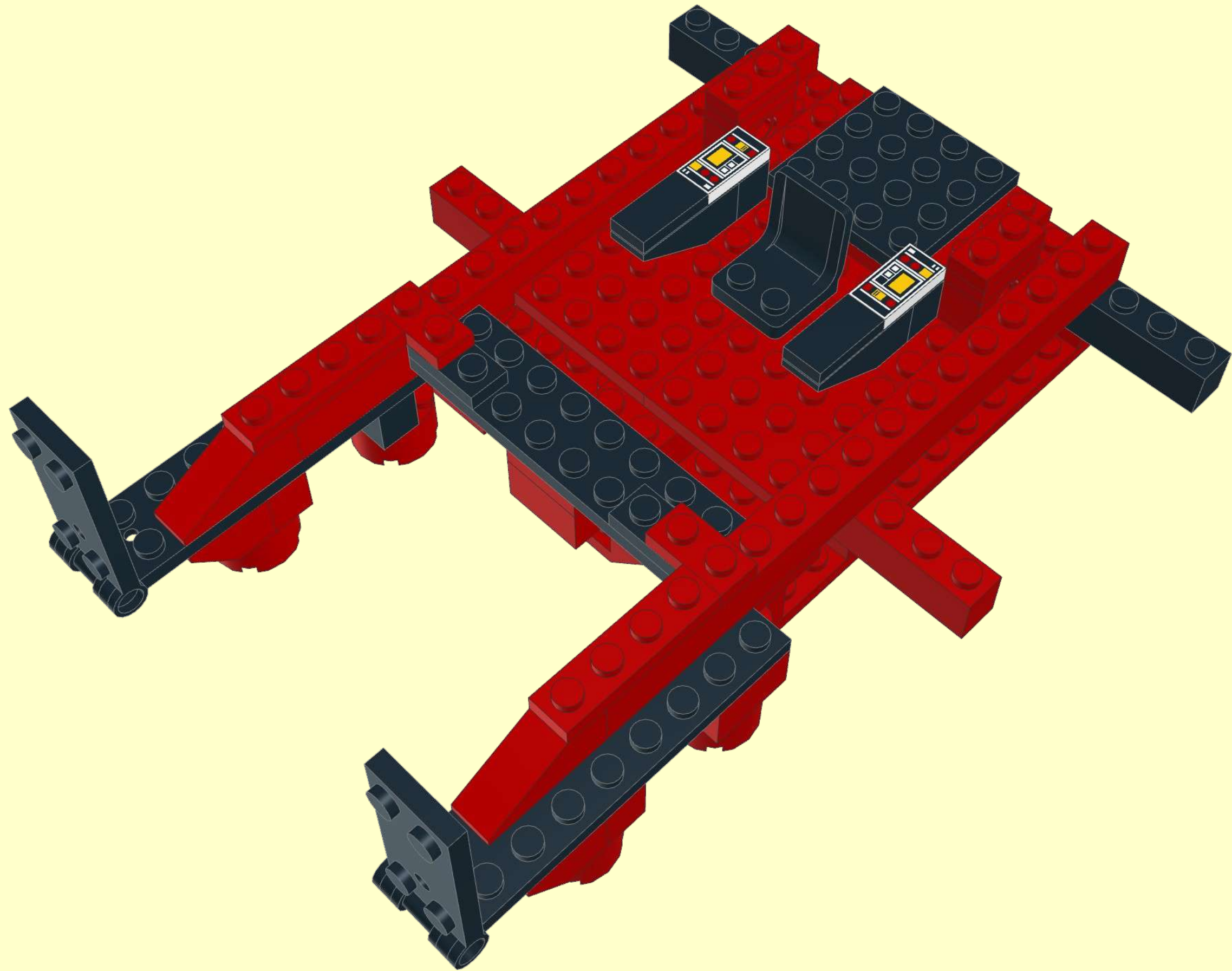


13

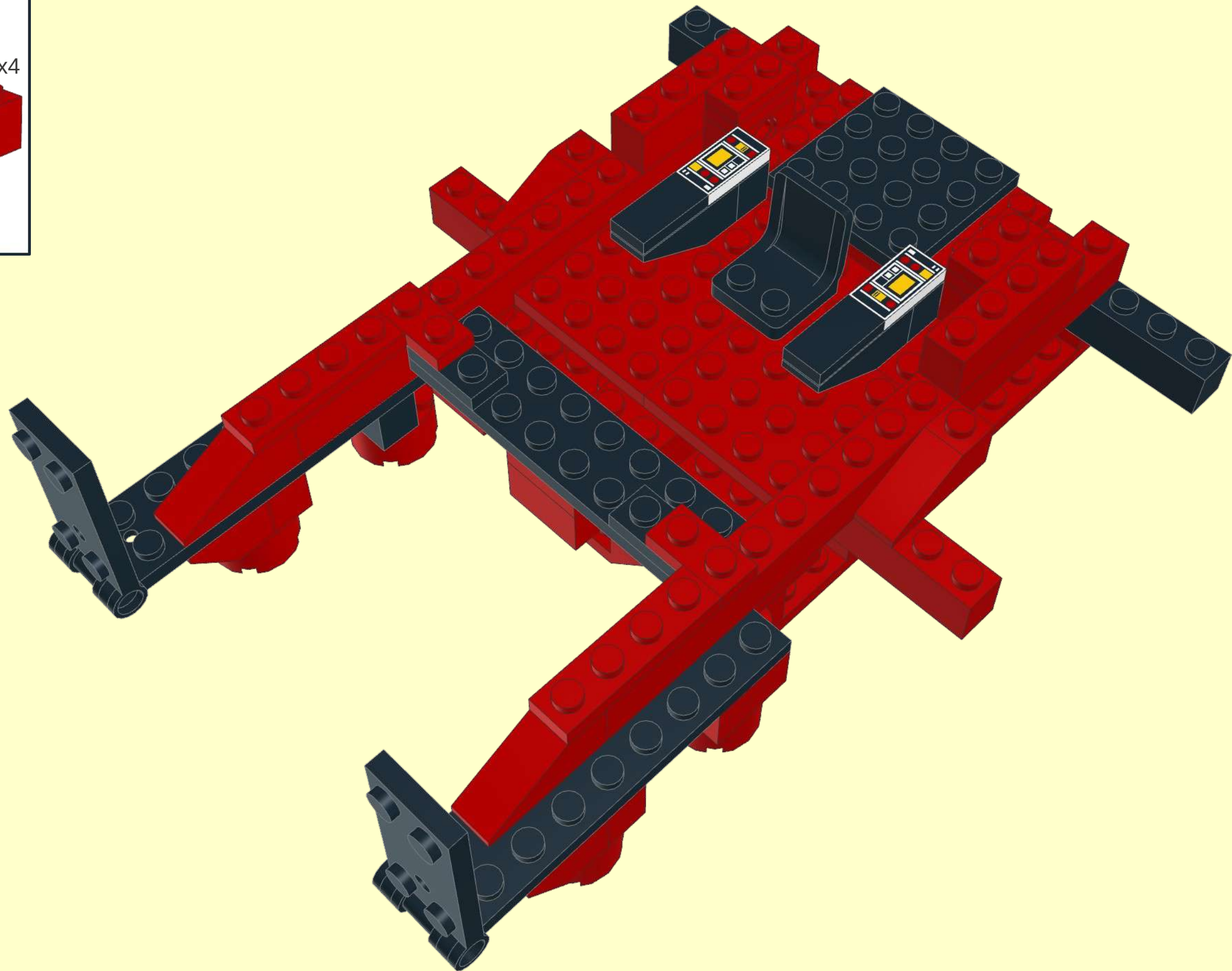
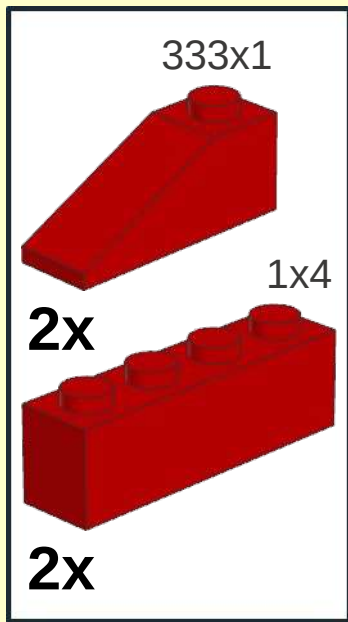
1x2


2x 1x2


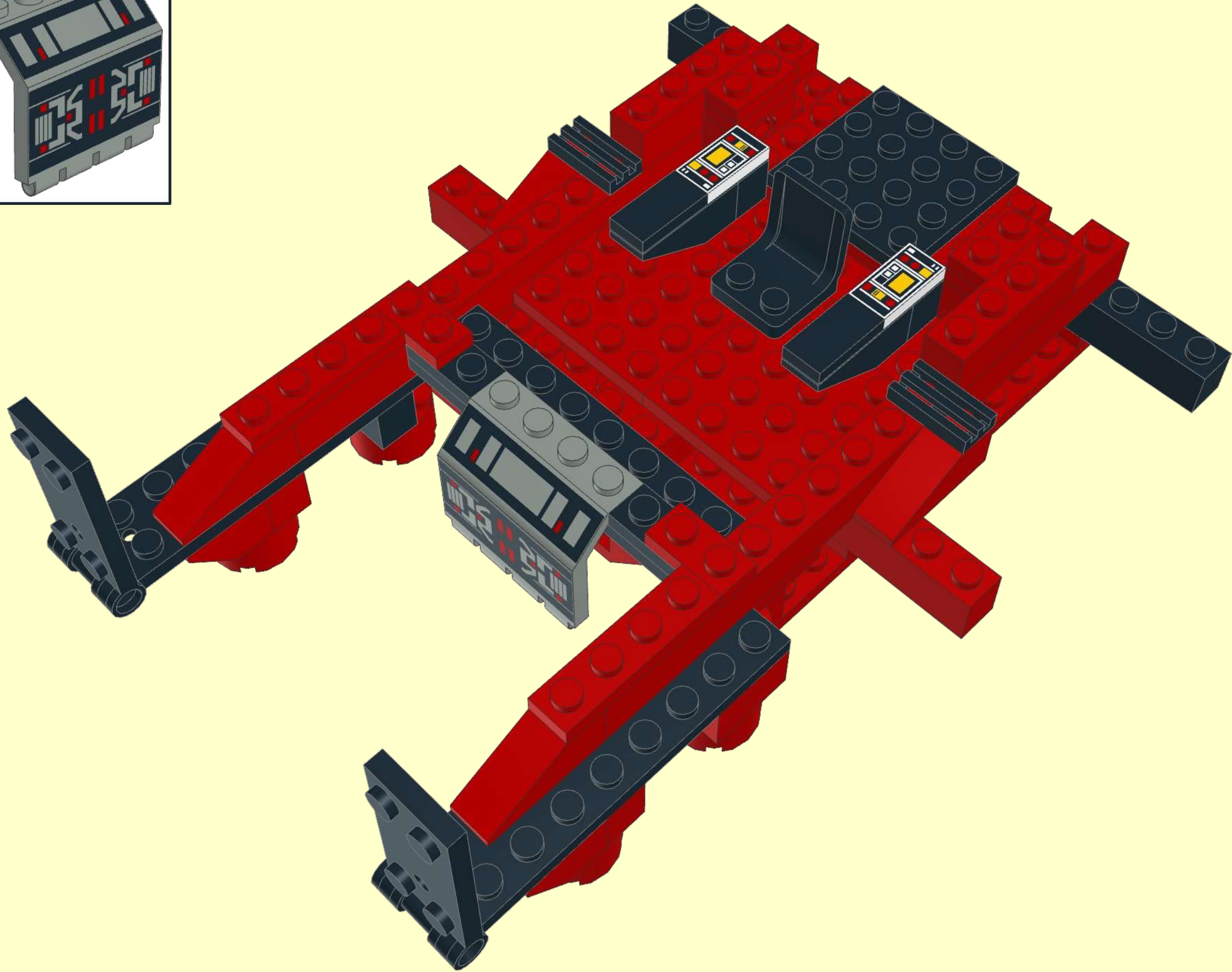
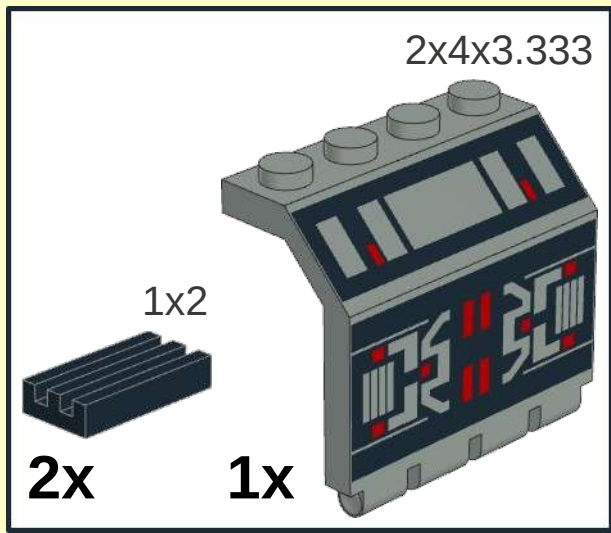
2x




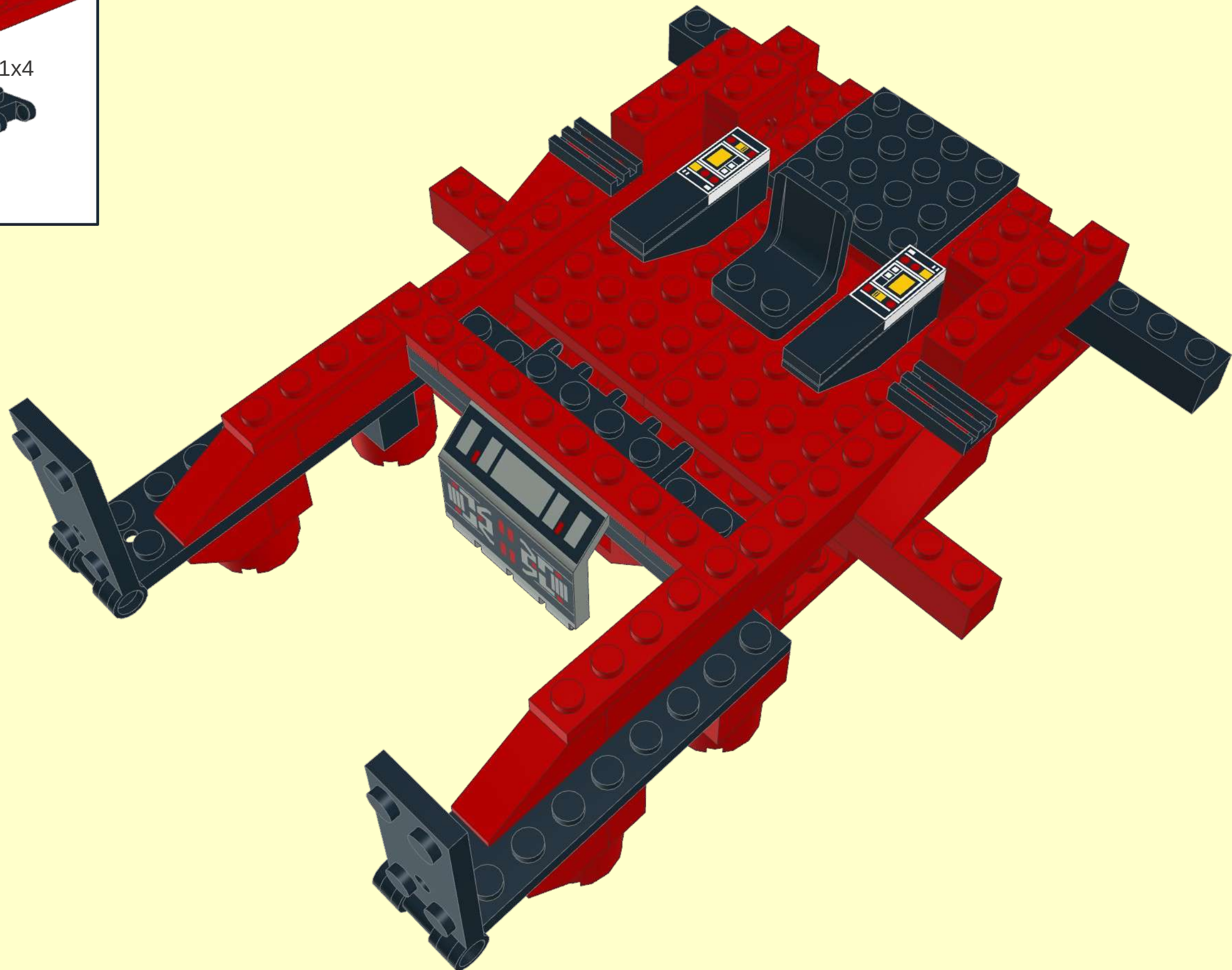
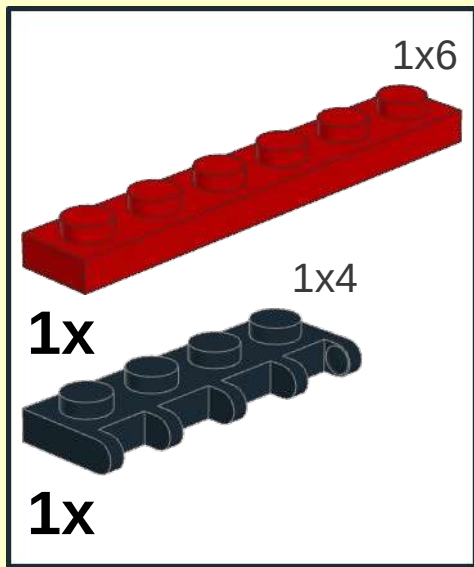
14



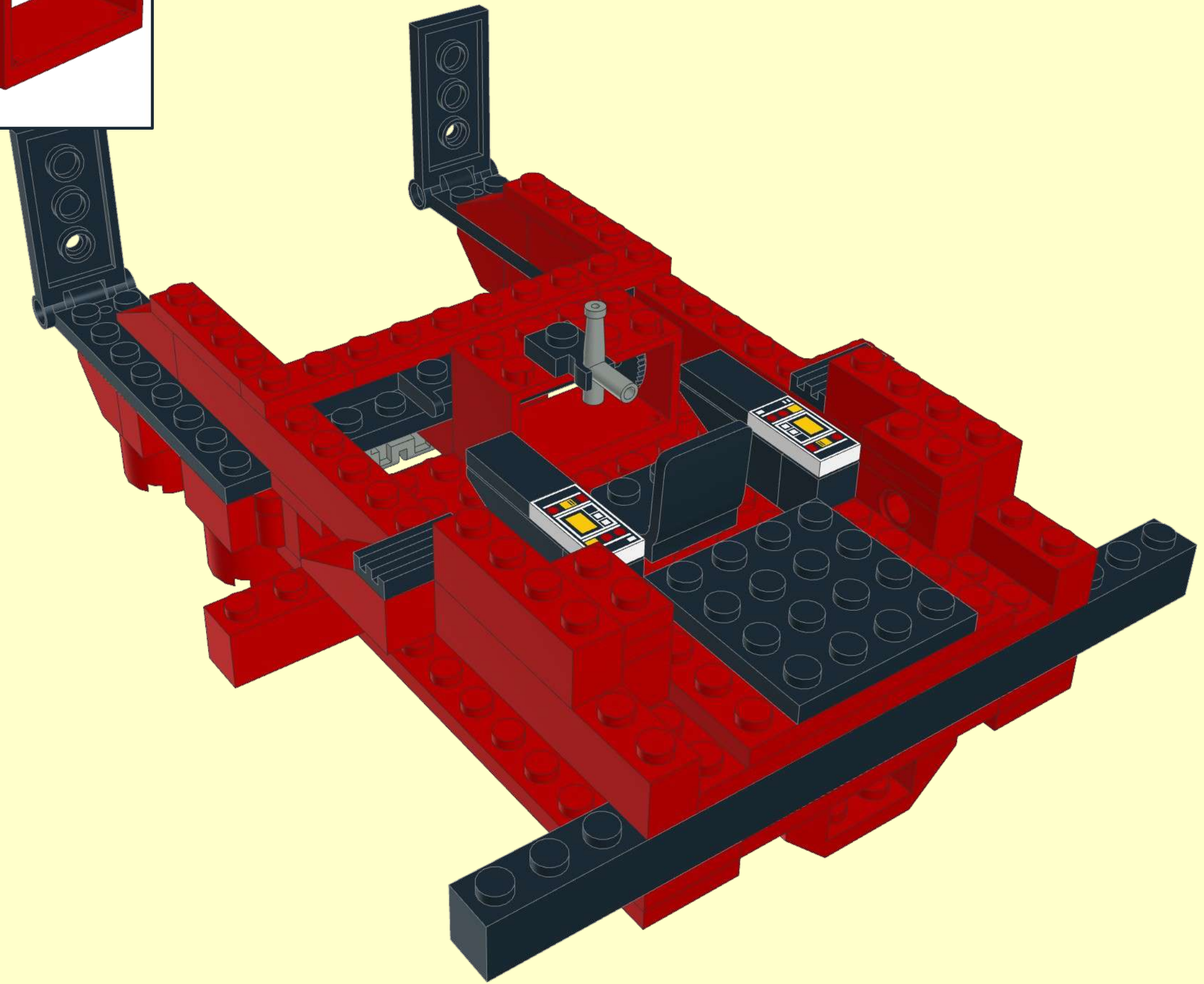
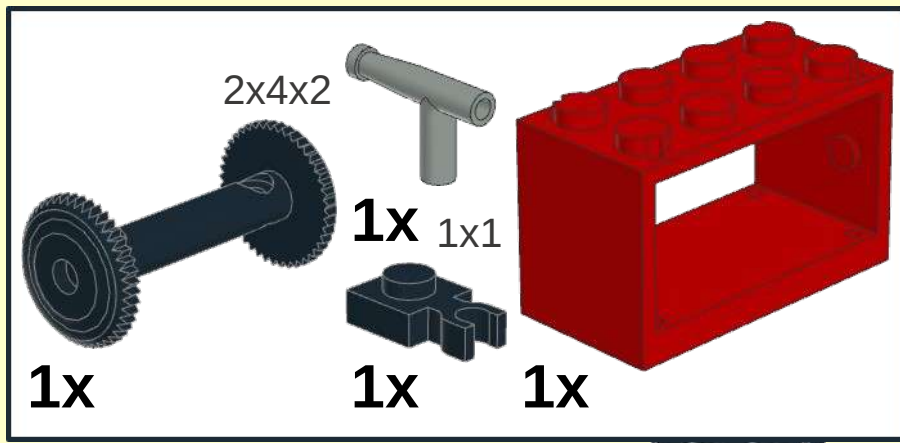
15

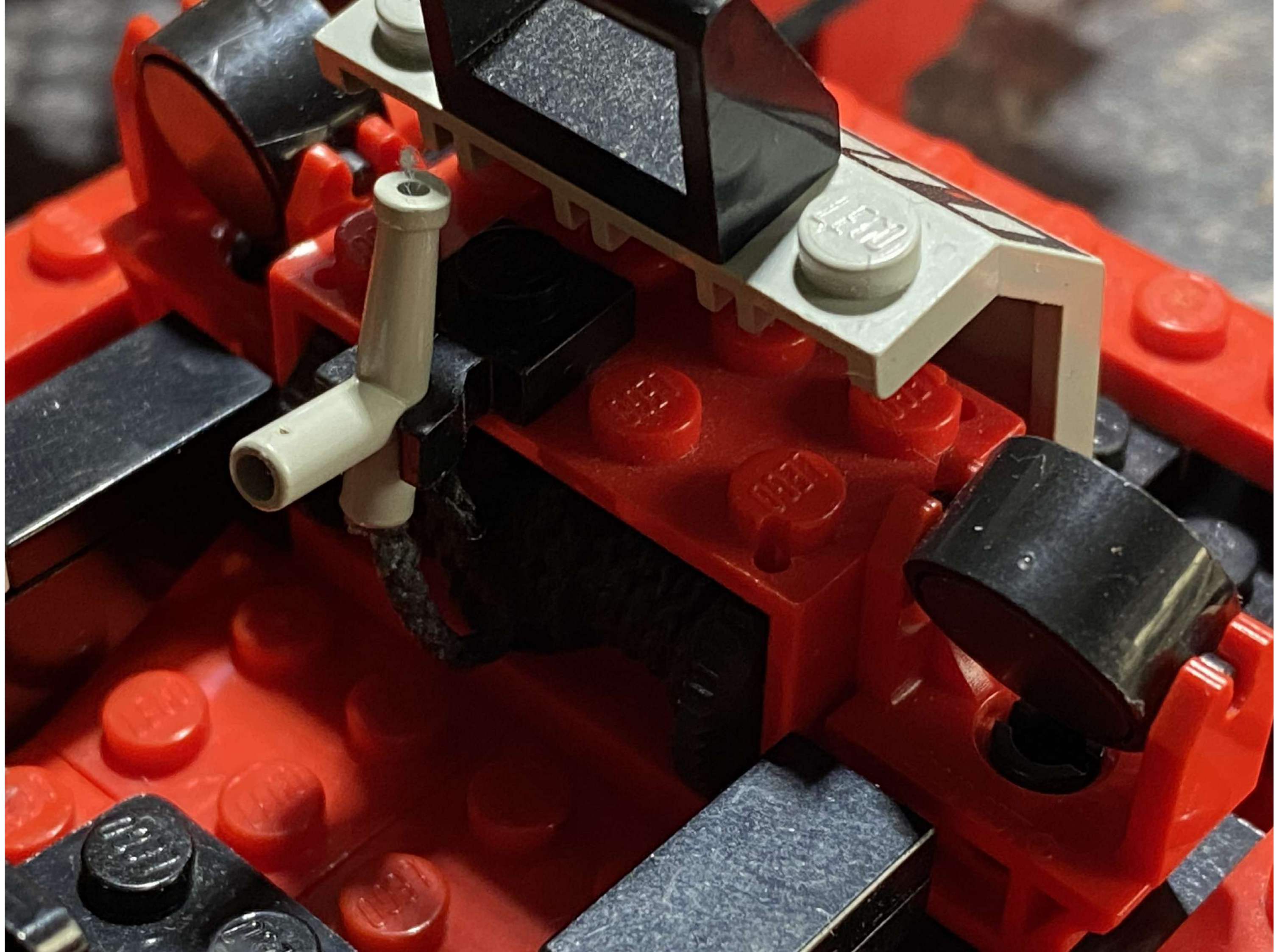


16

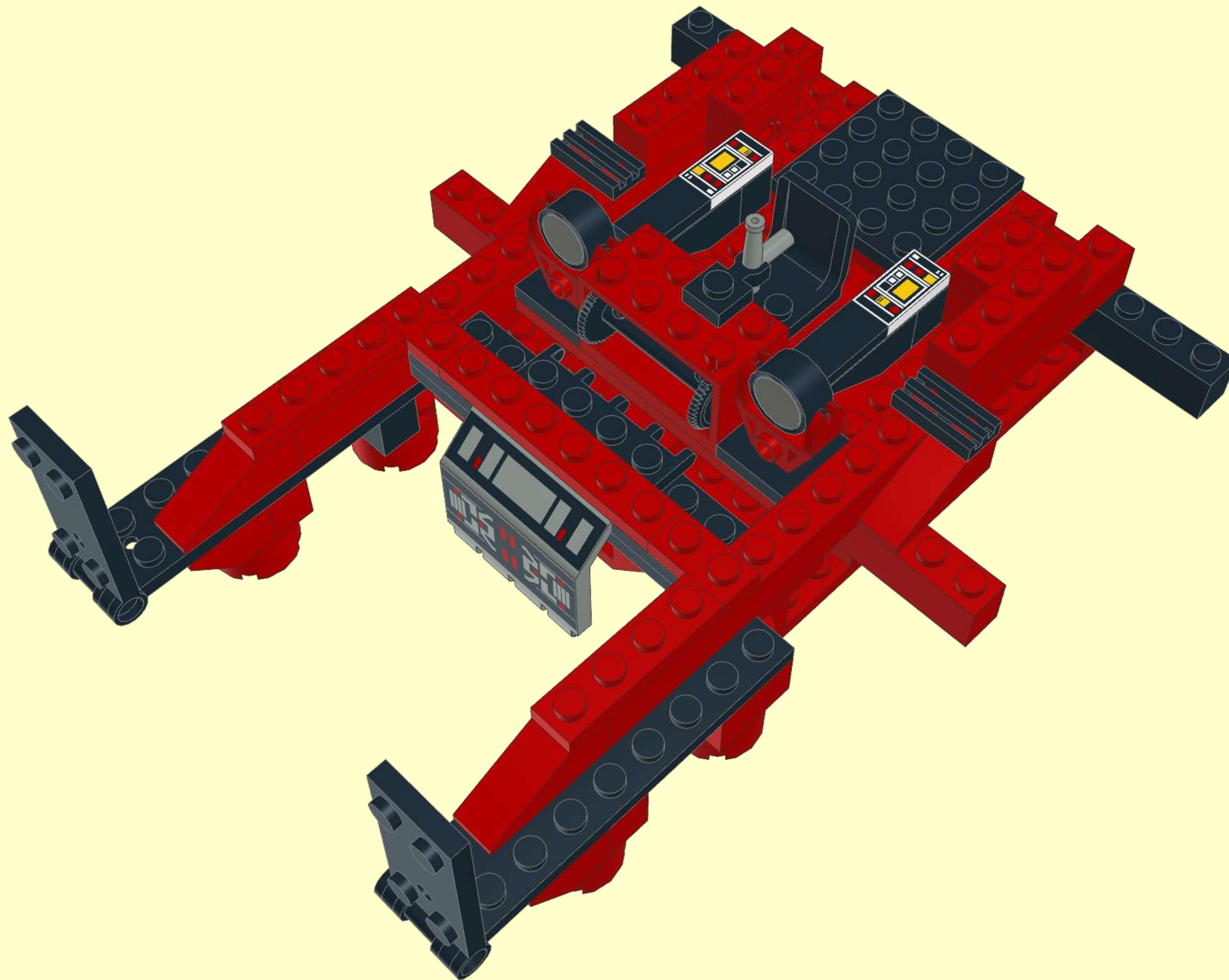


17

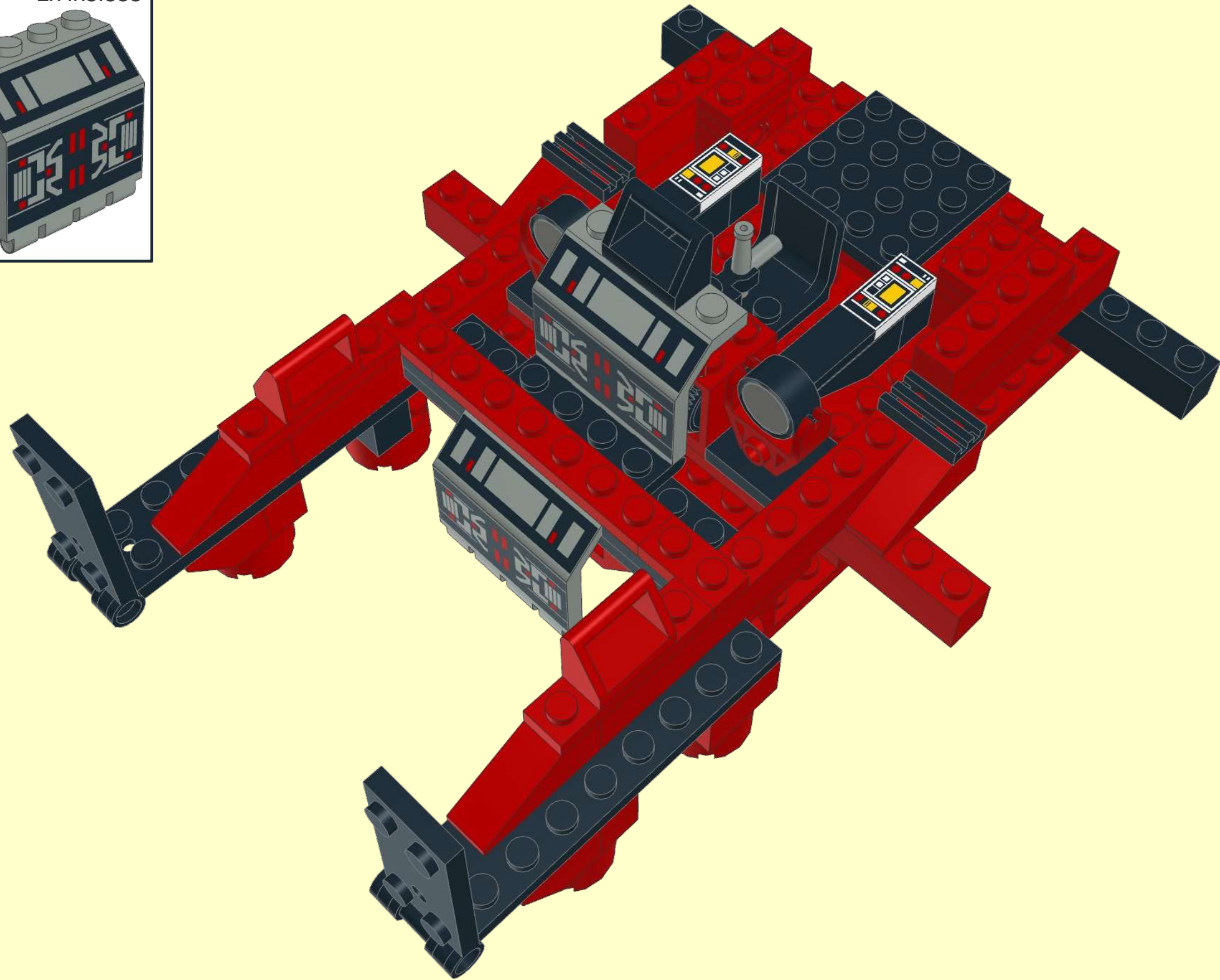
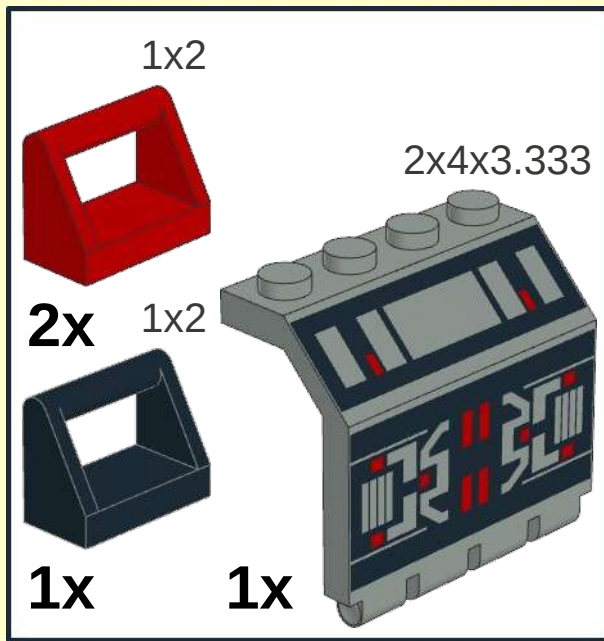


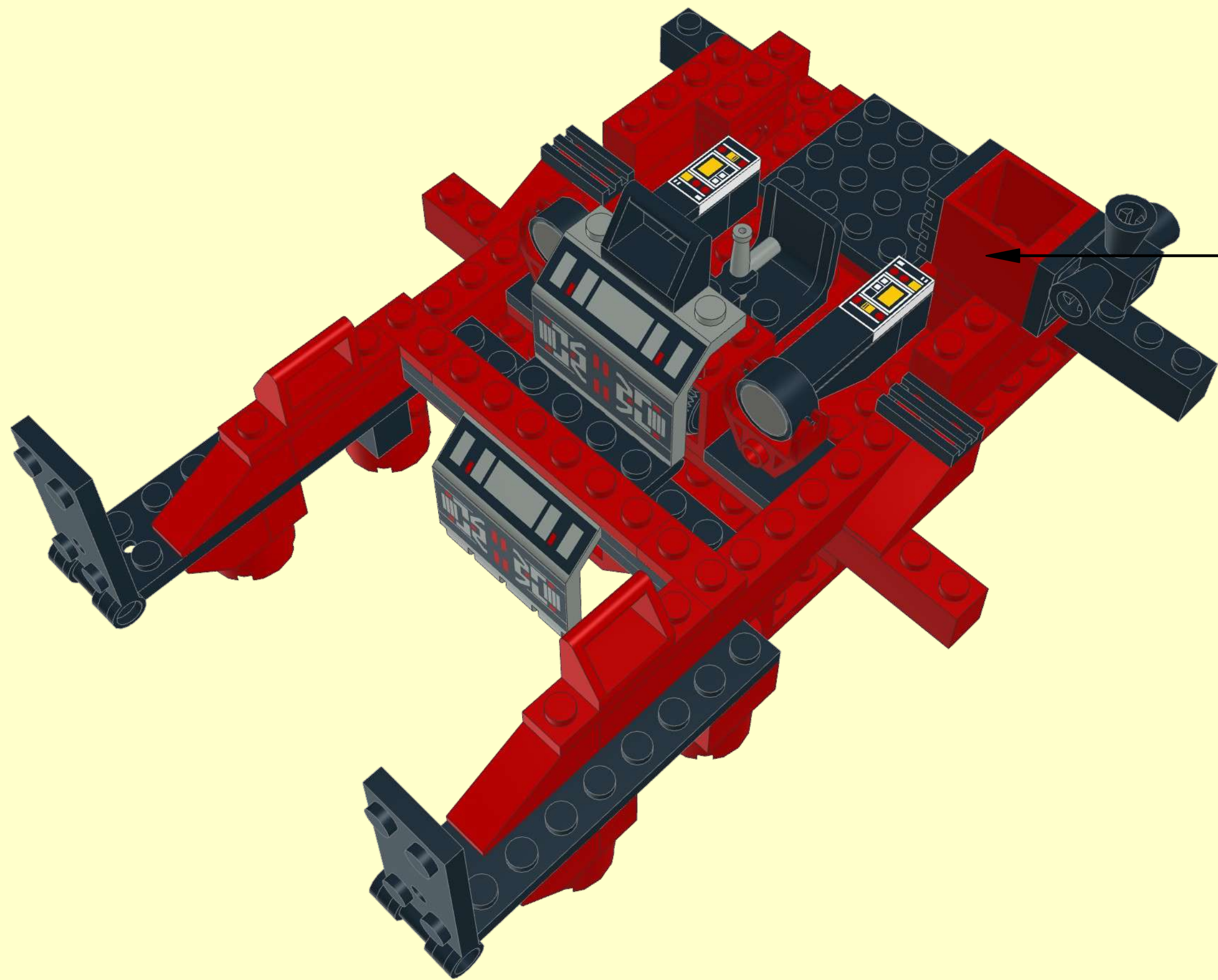


18



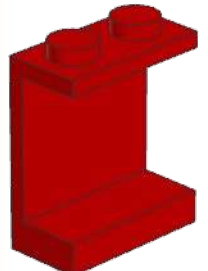
19



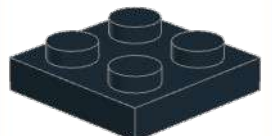


1

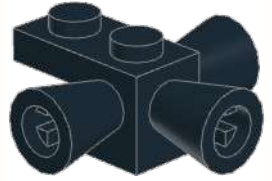
1x2x2



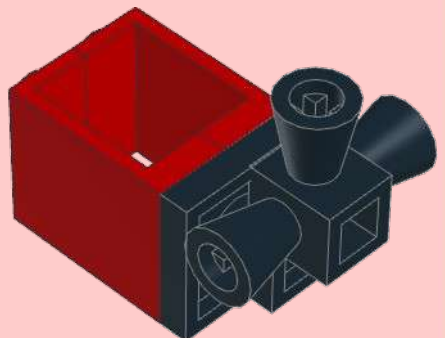
2x 2x2



1x 2x1




1x

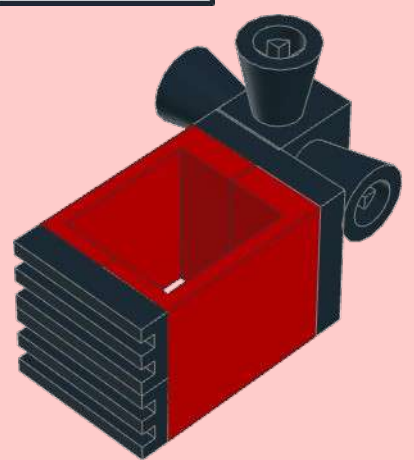


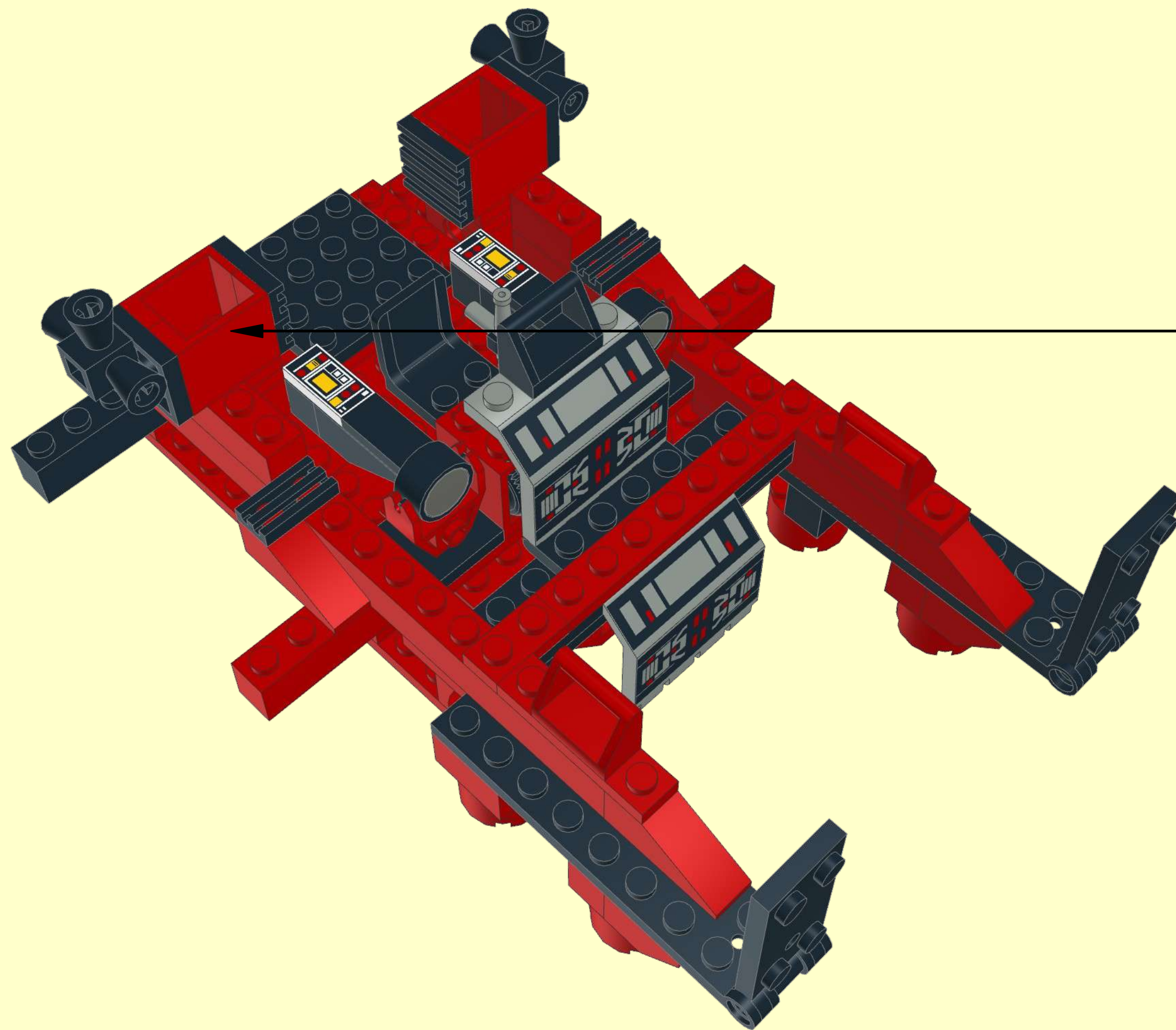
2

1x2



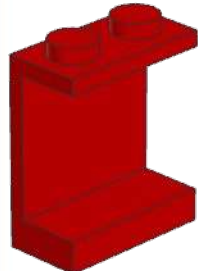
2x



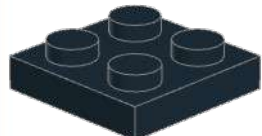


1


1x2x2



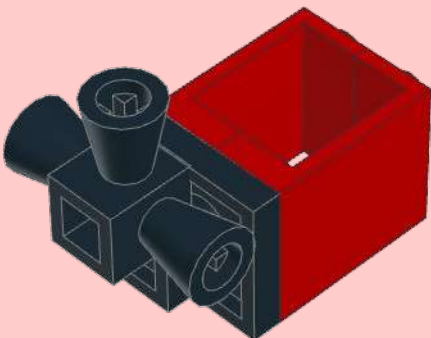
2x 2x2



1x 2x1




1x

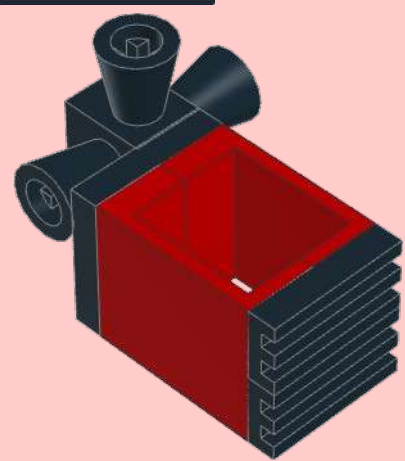


2

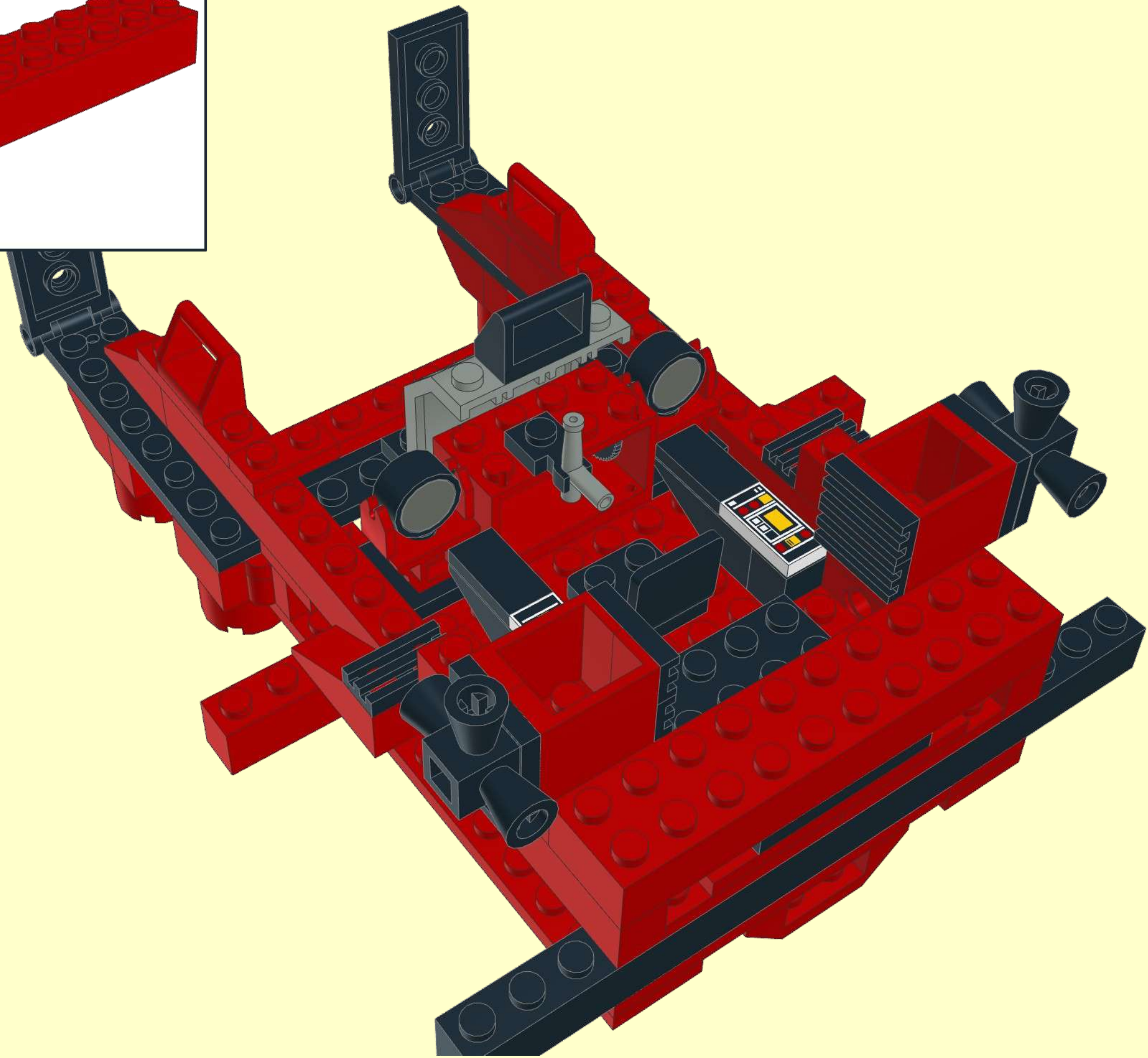
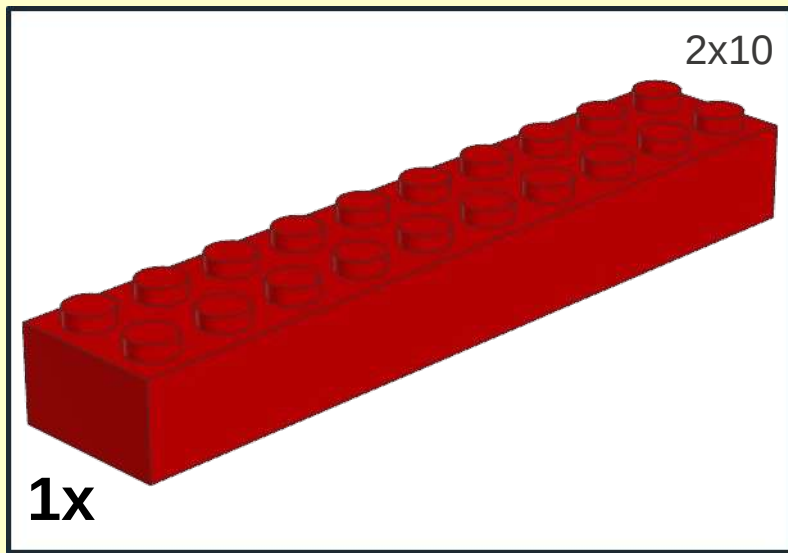
1x2



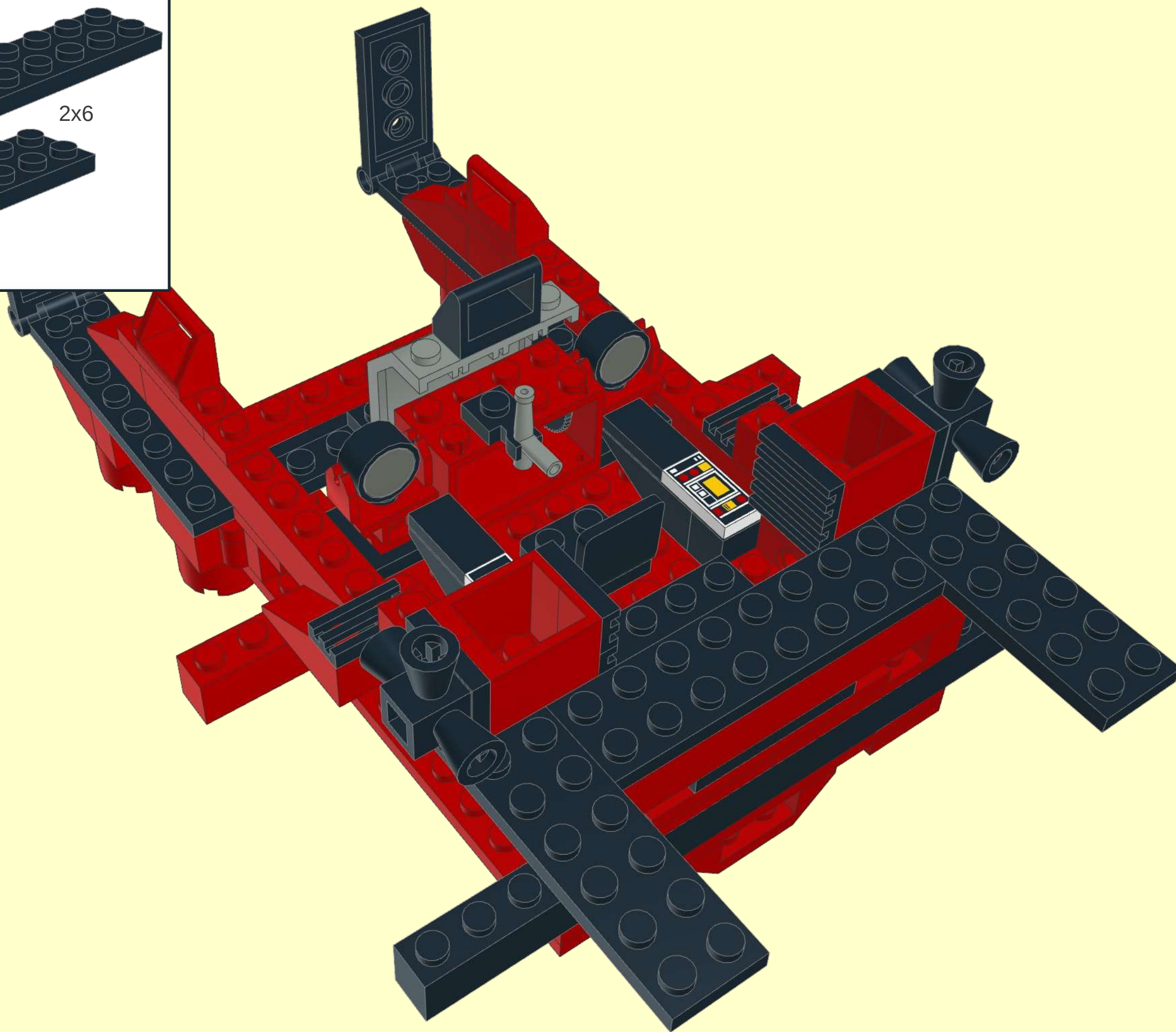
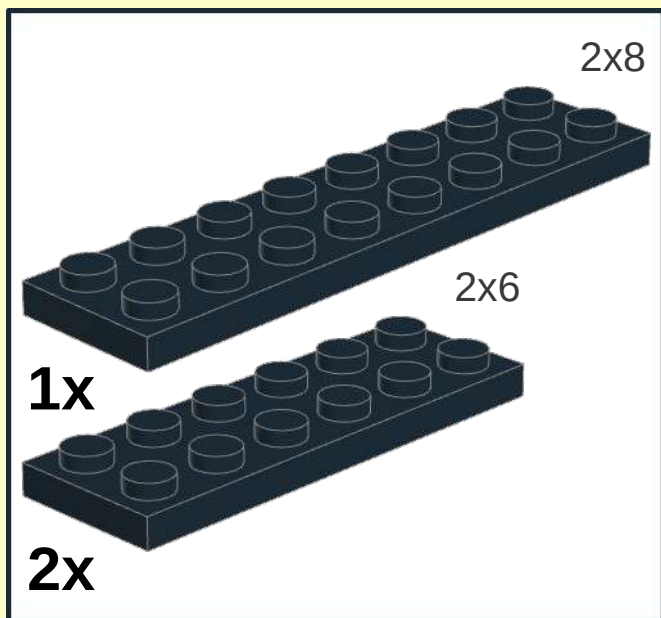
2x



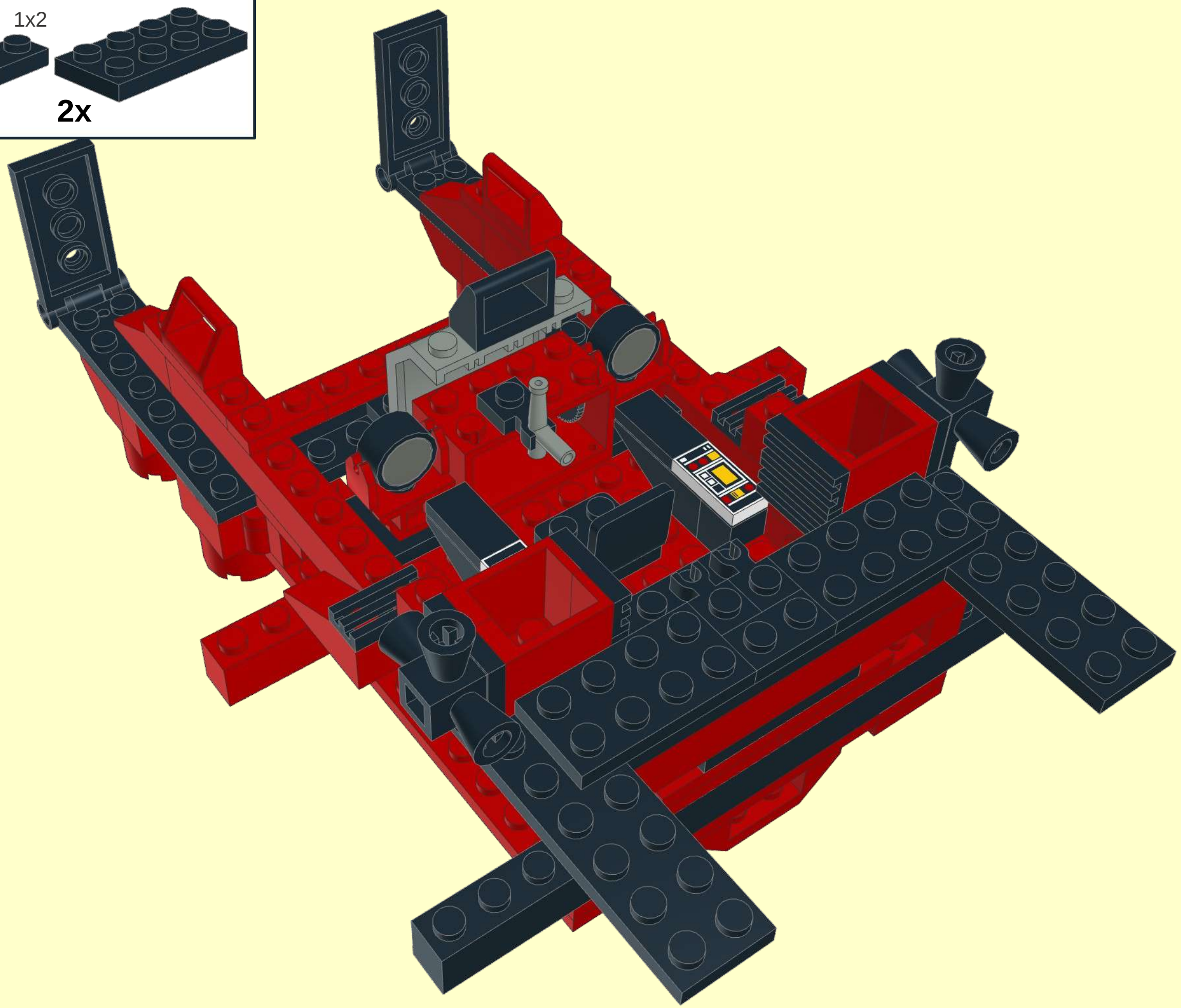
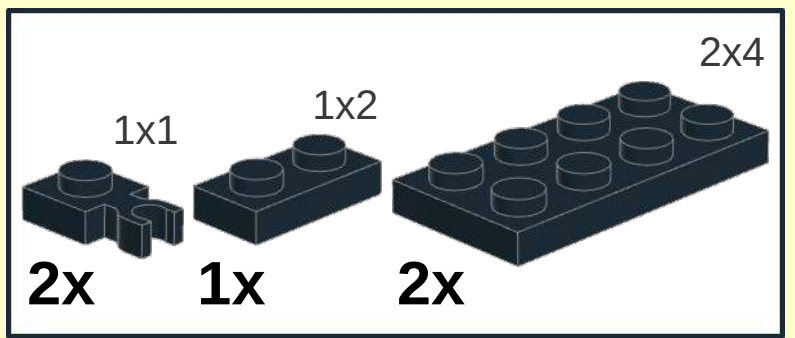
22



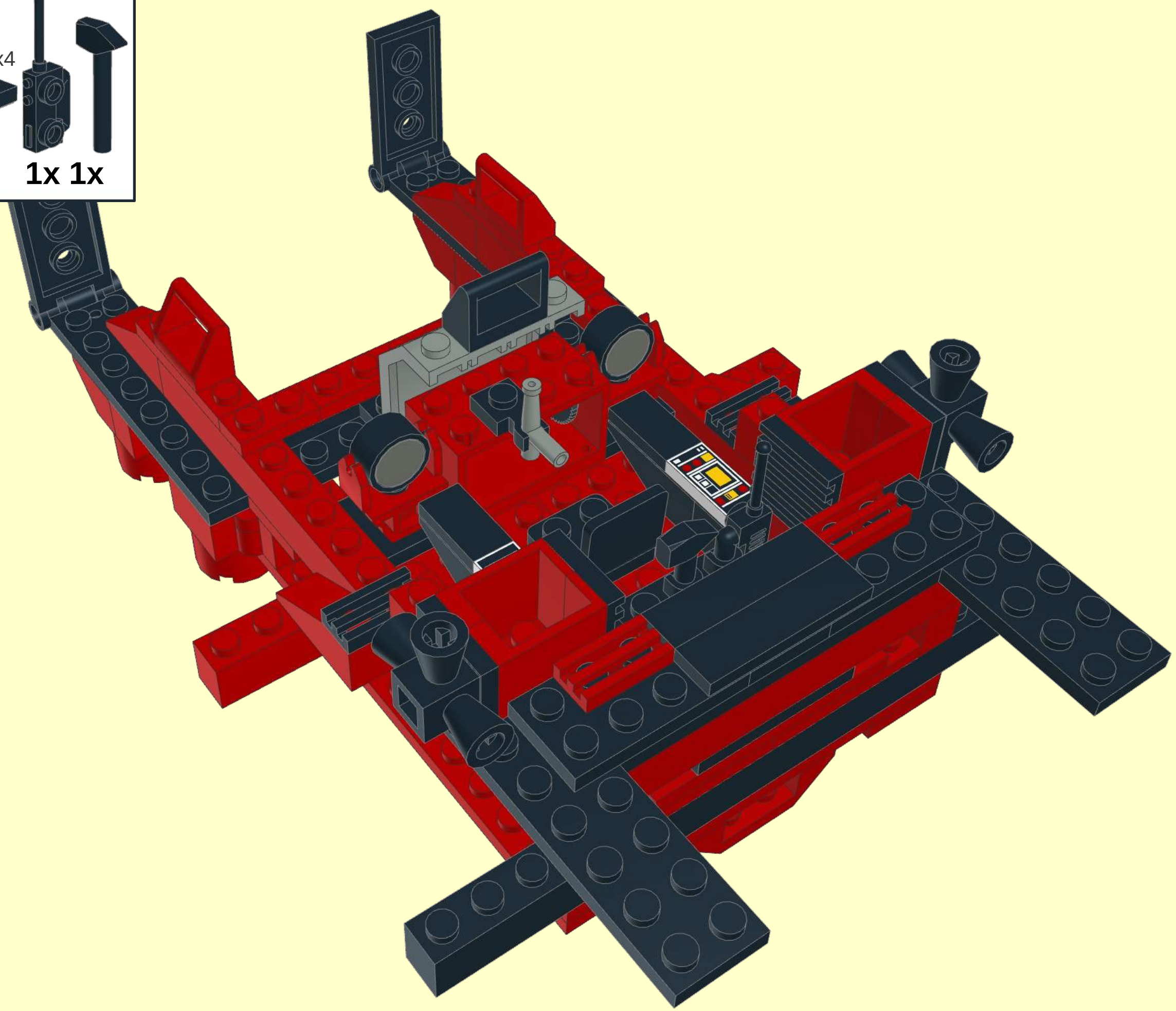
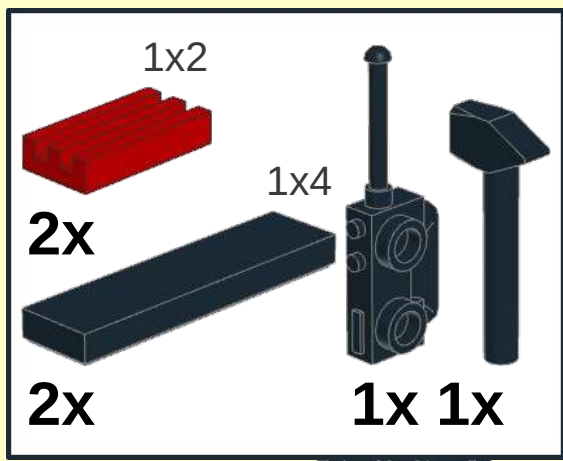
23



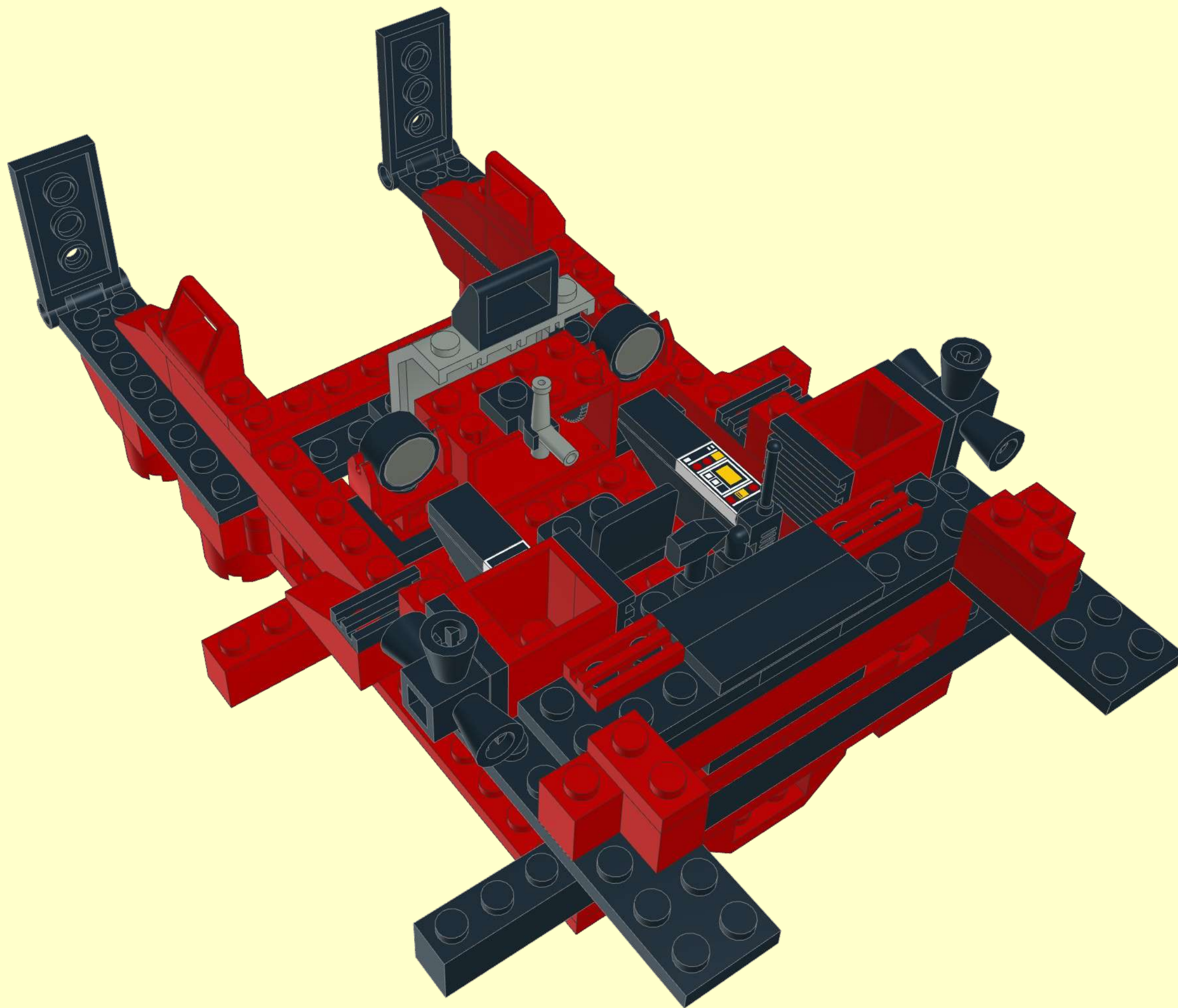
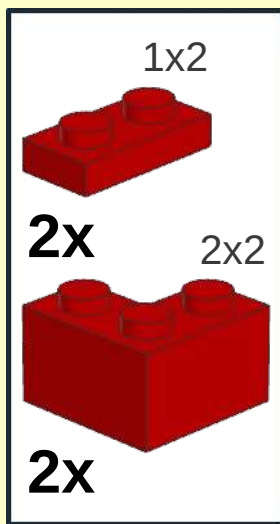
24



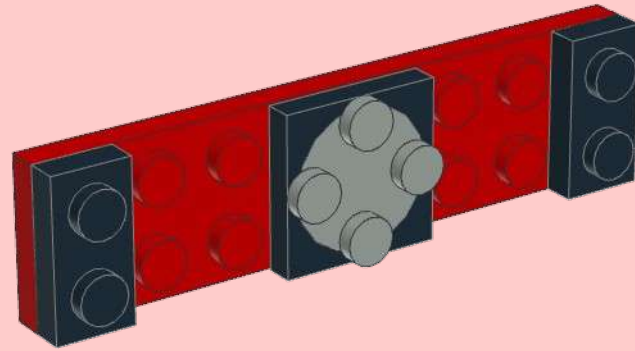
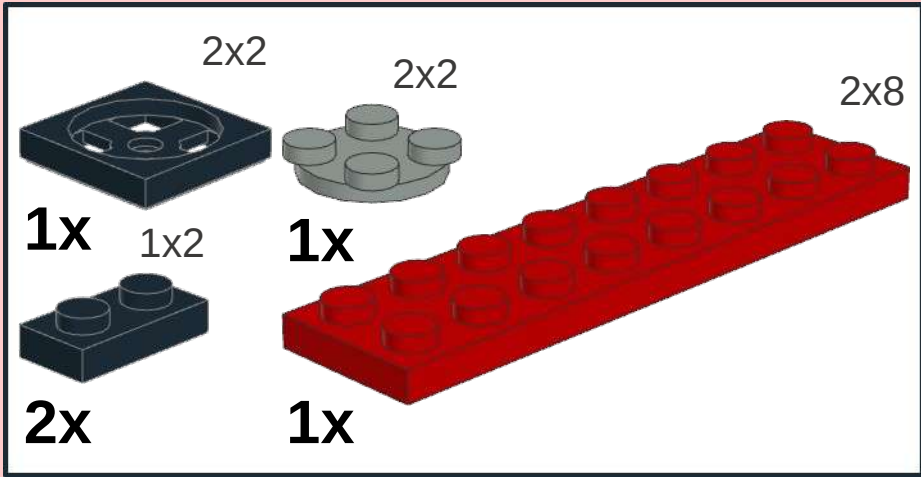
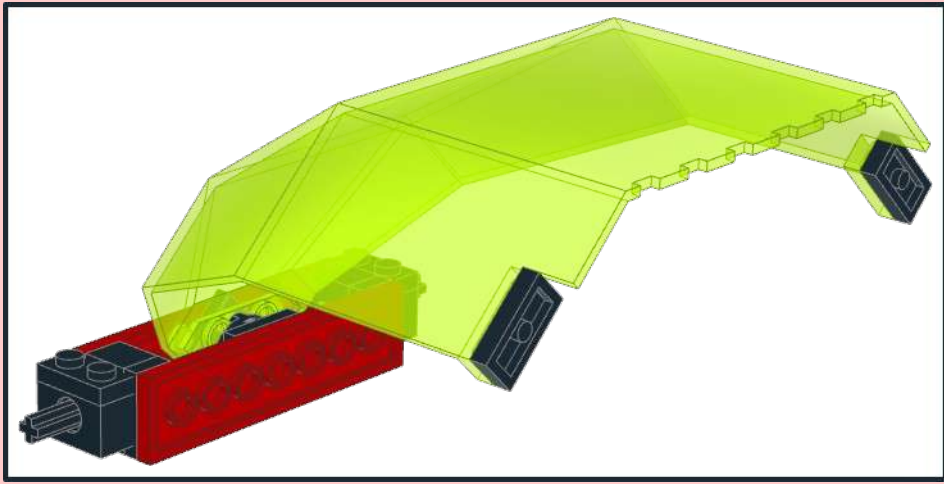
25

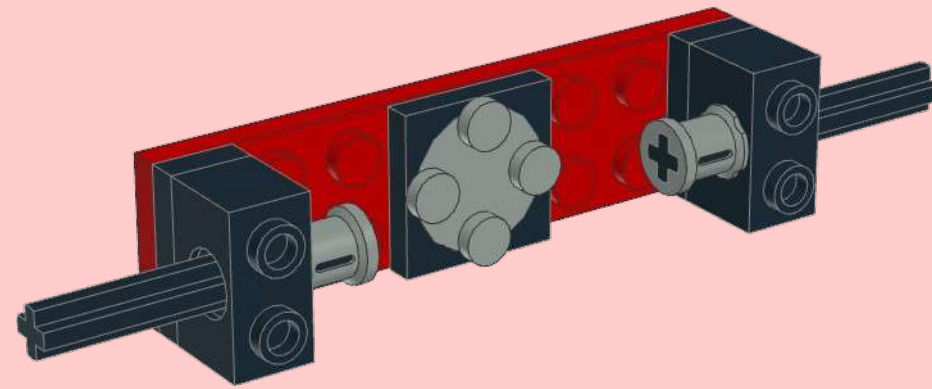
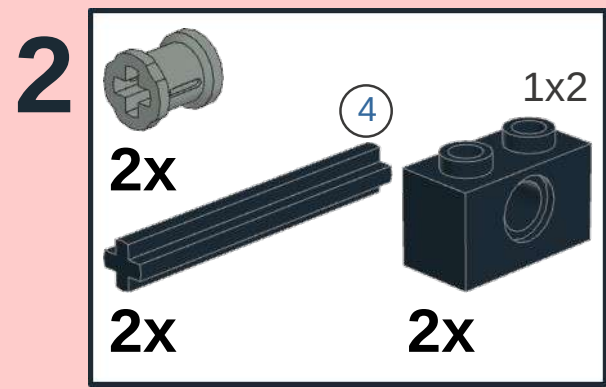


26

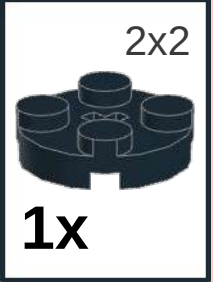


1



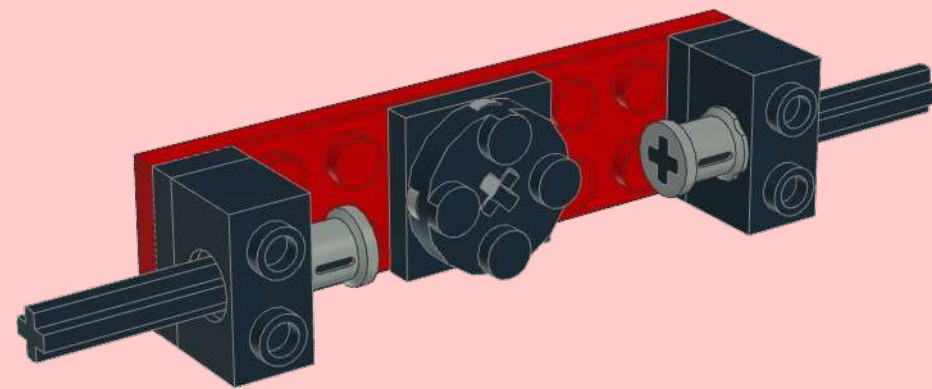


3



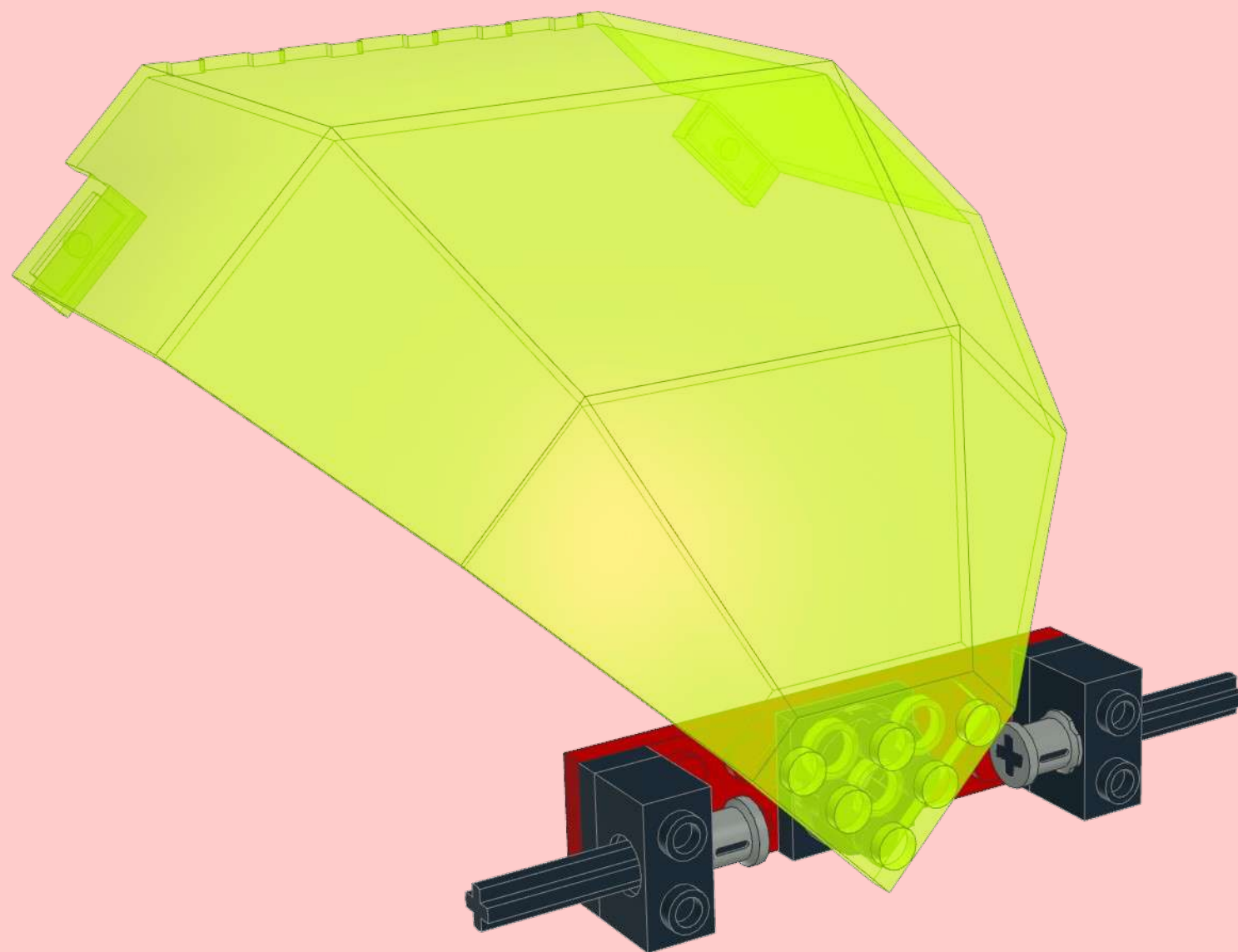
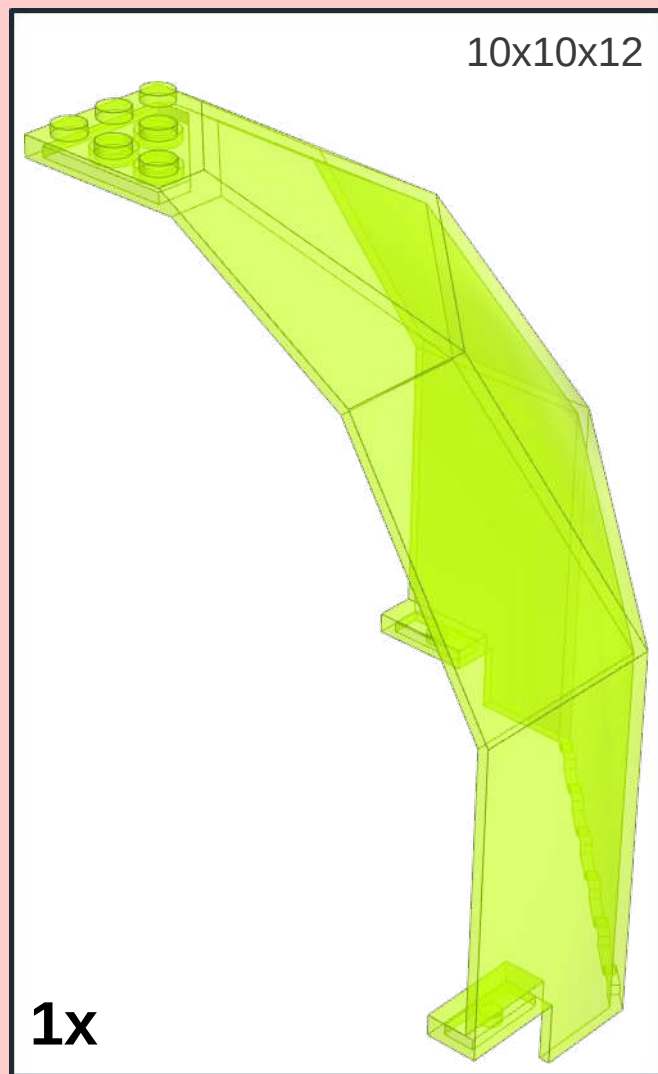
2x2

1x

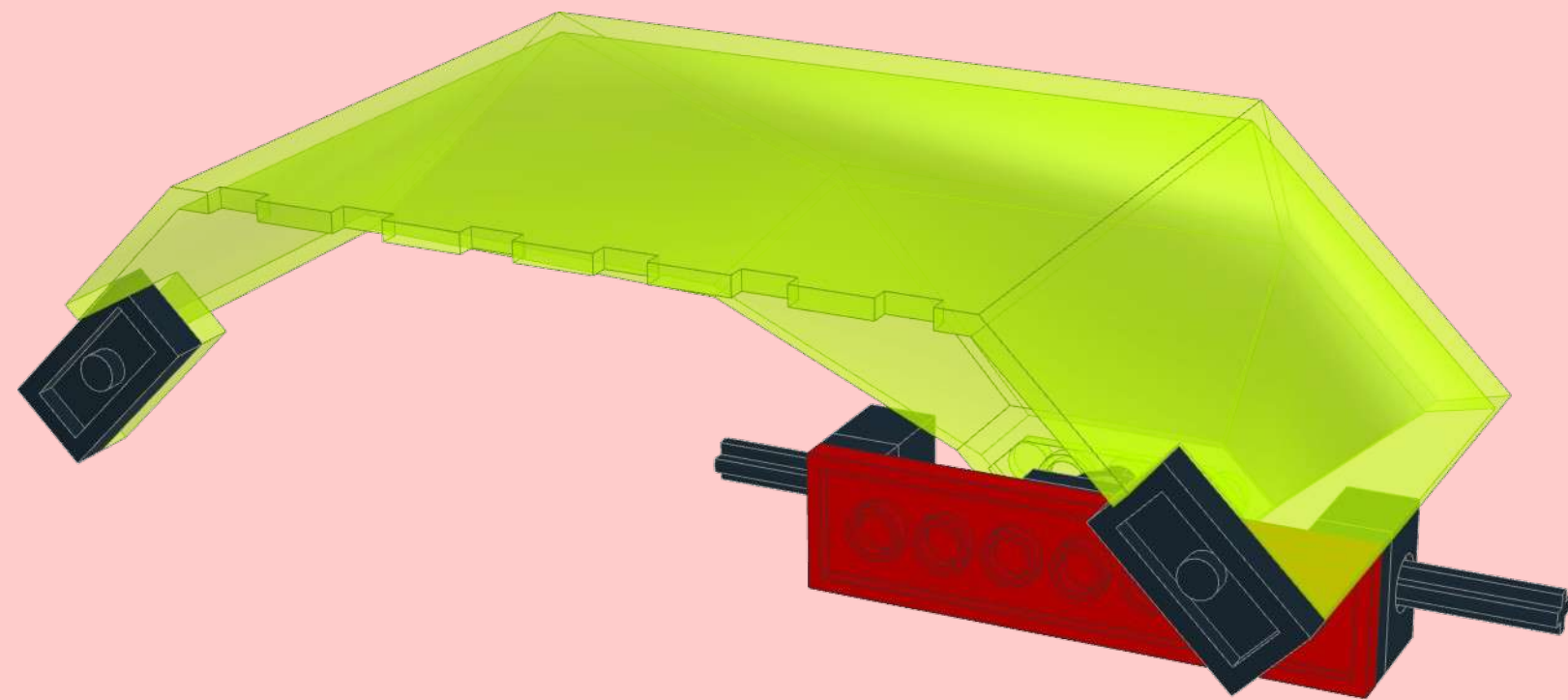
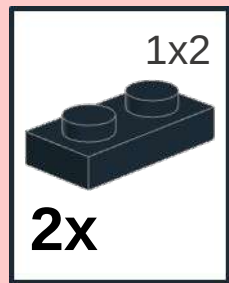


4

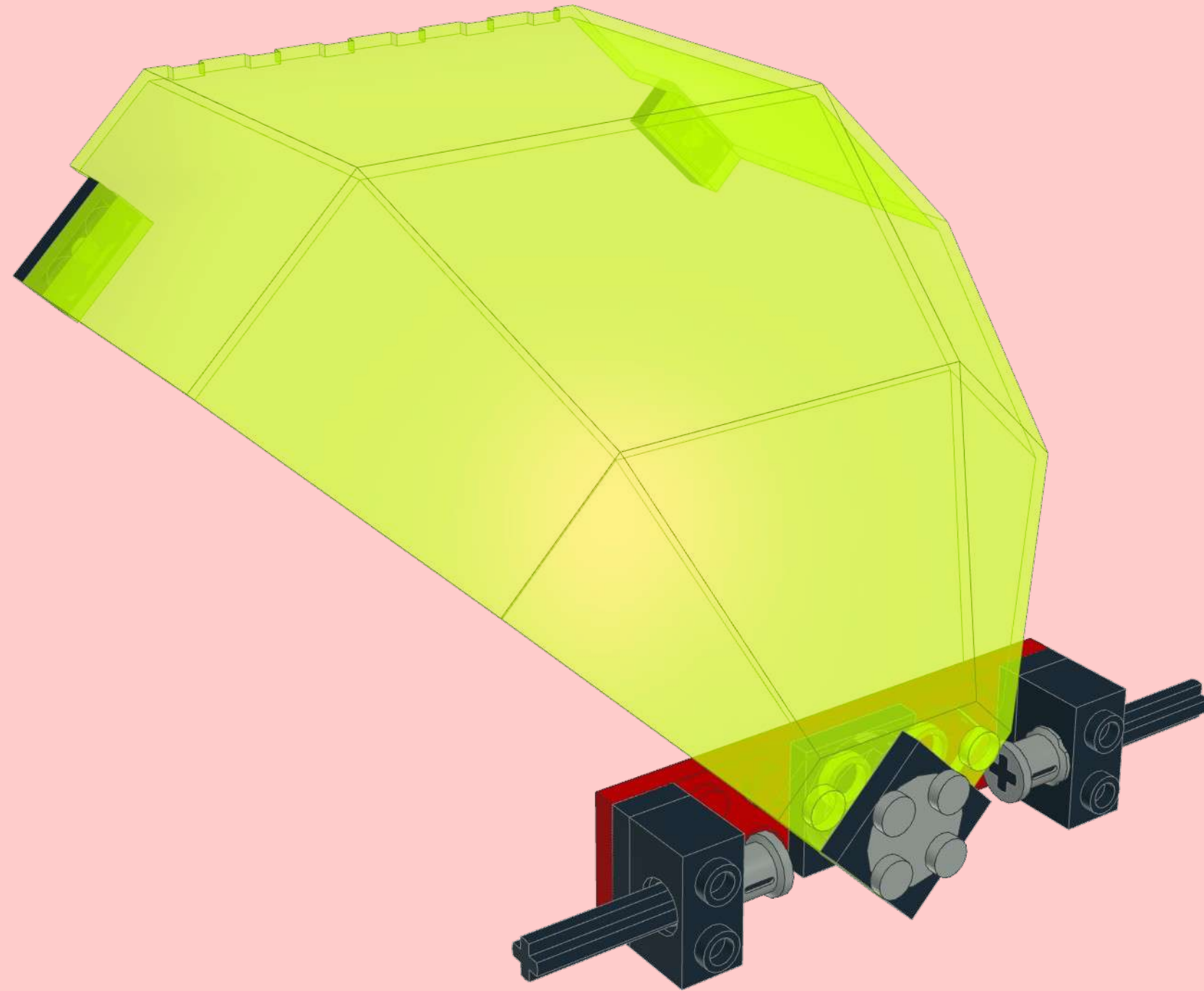
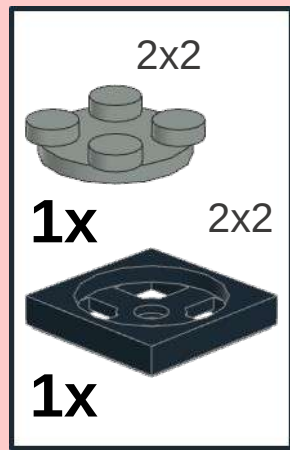
10x10x12

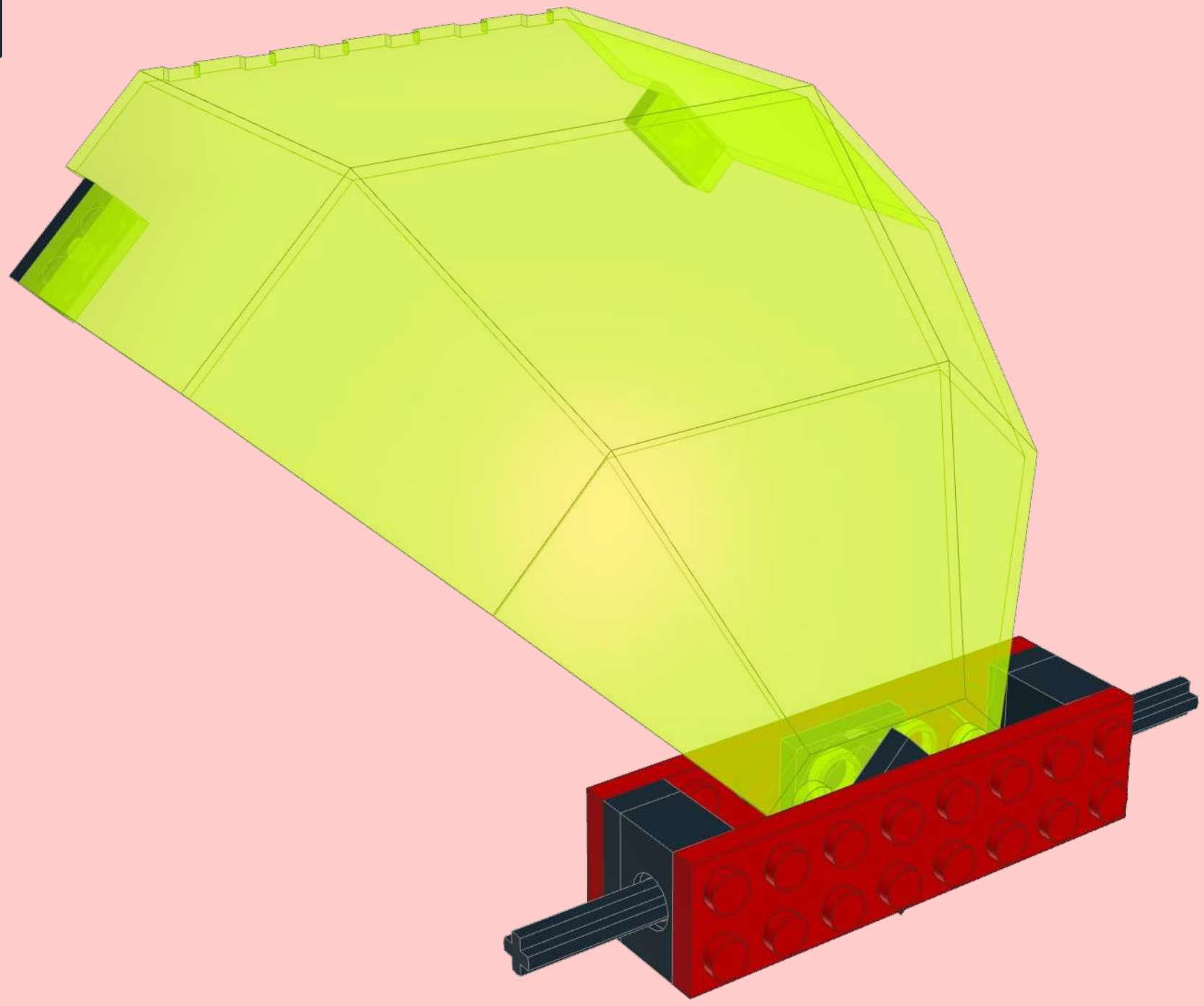
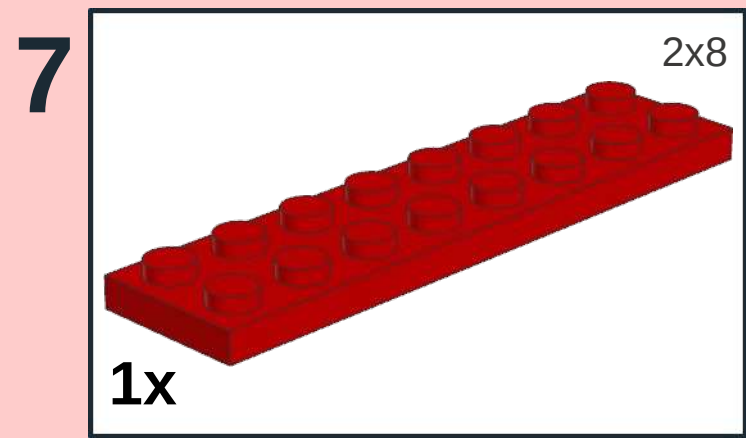


5

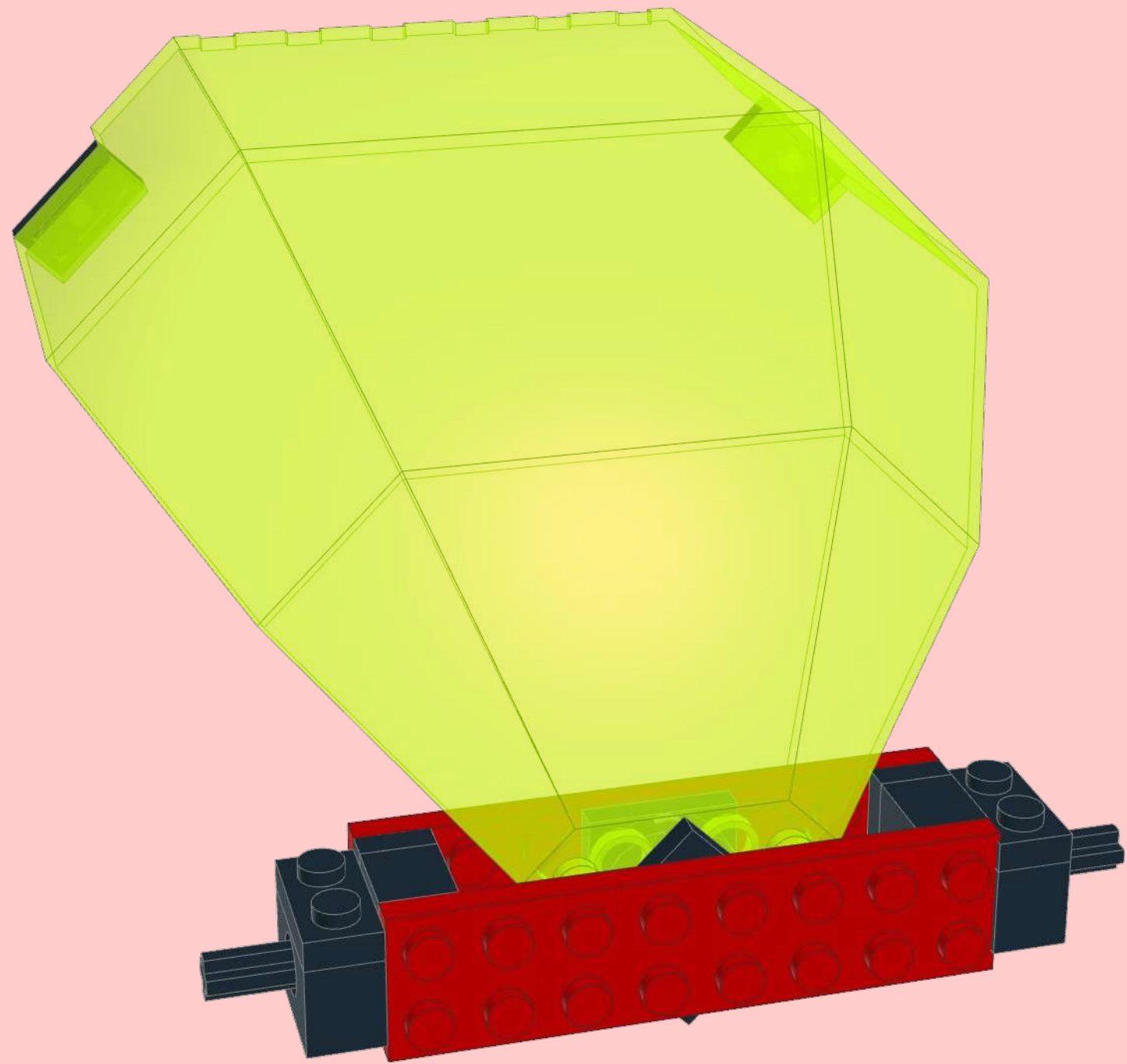
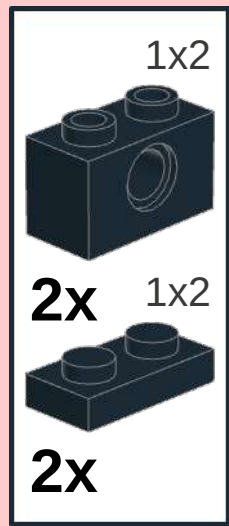


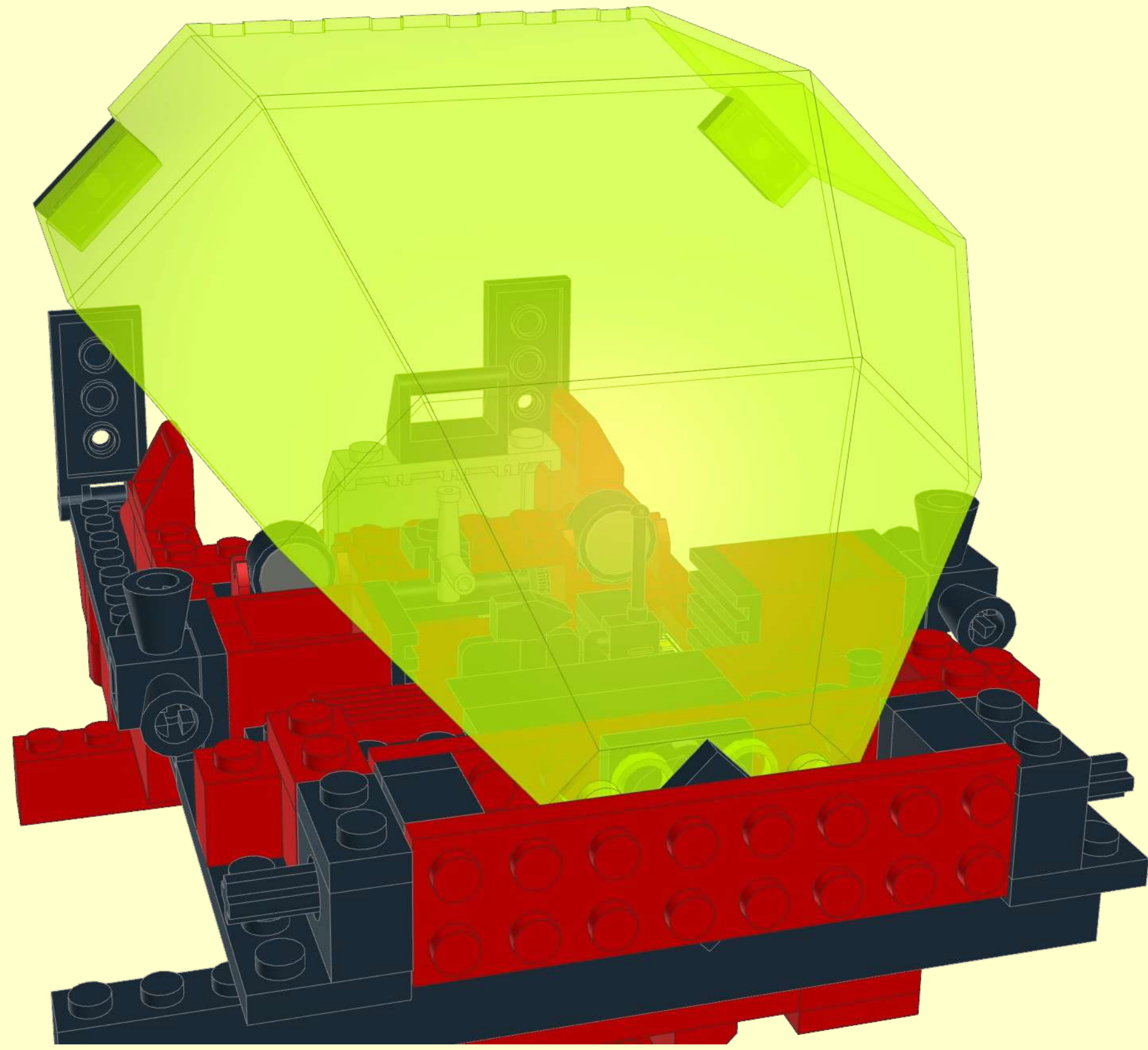
6



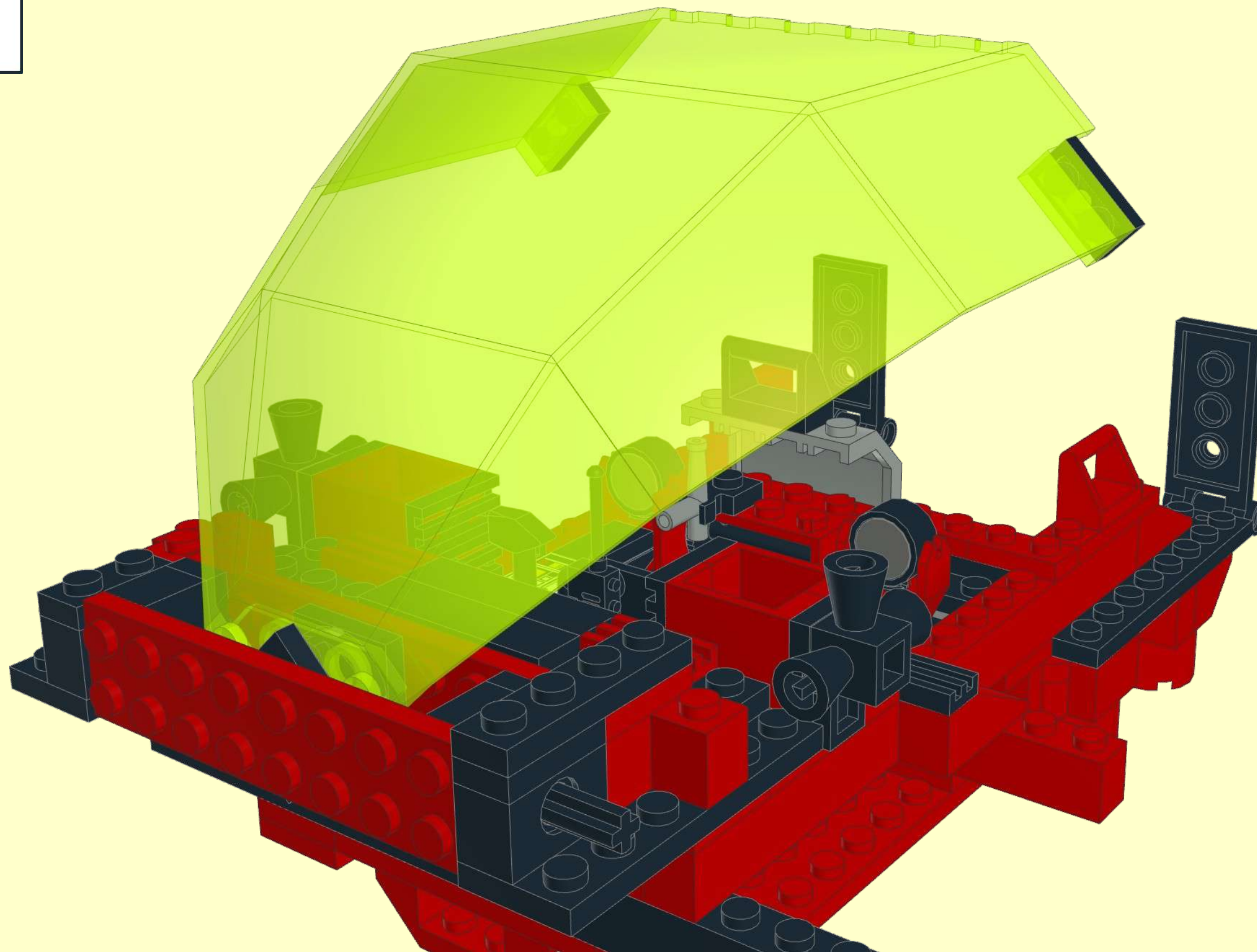
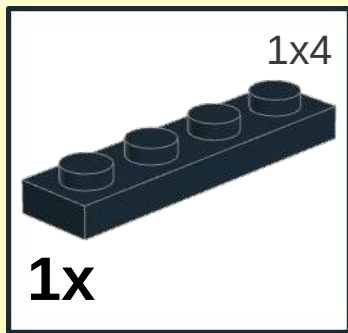


8

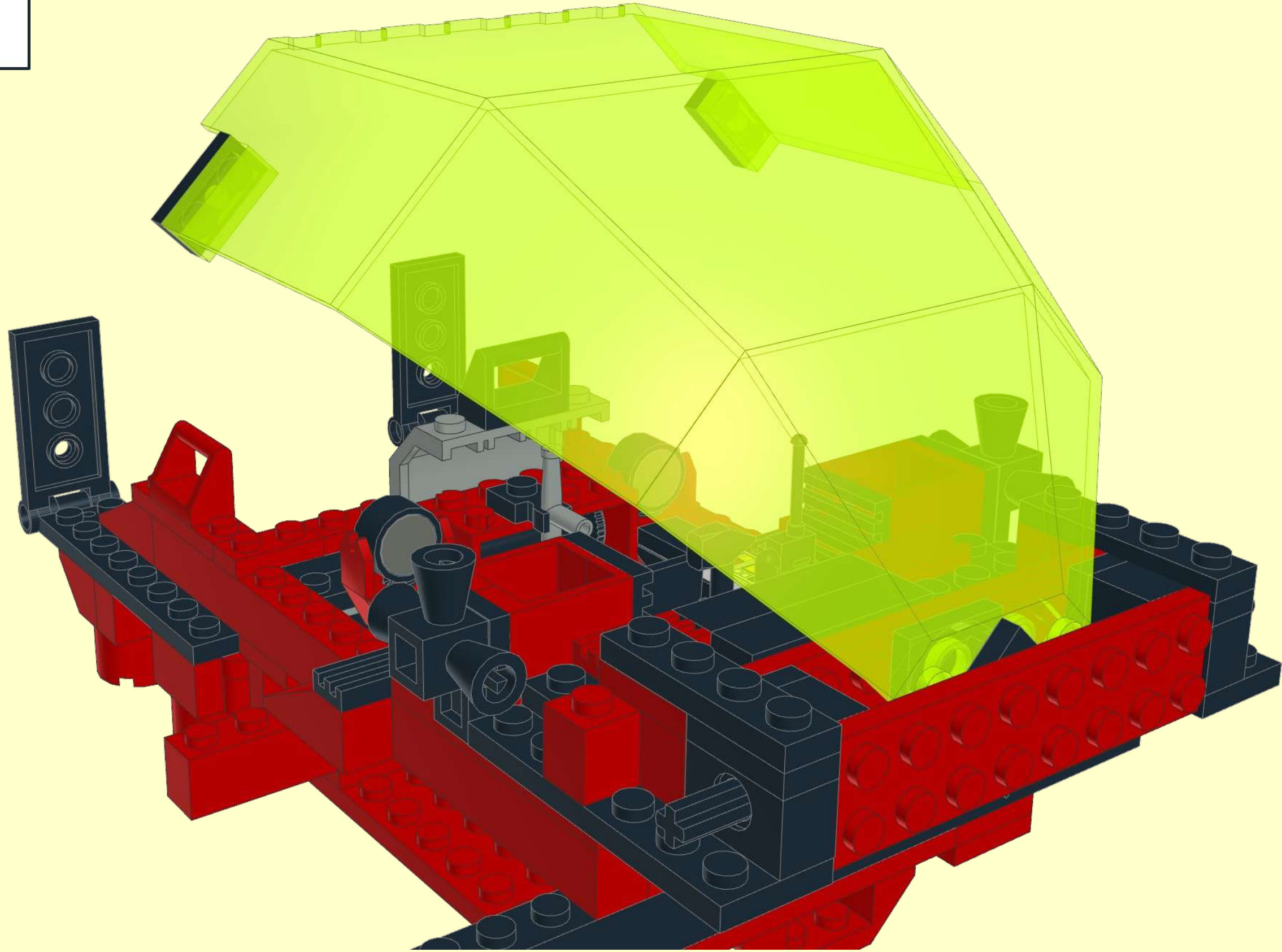
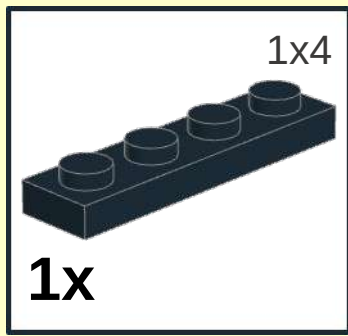




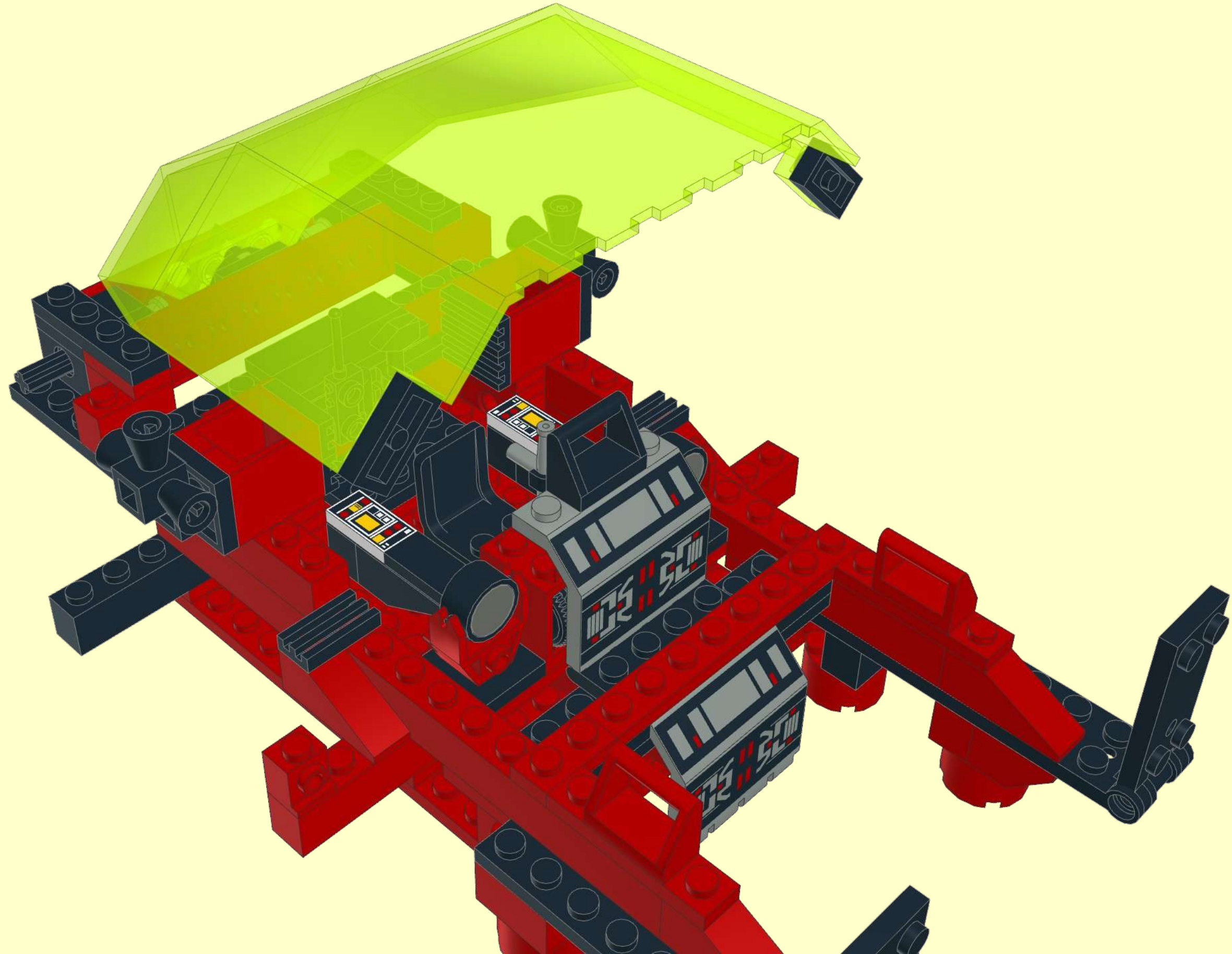
28



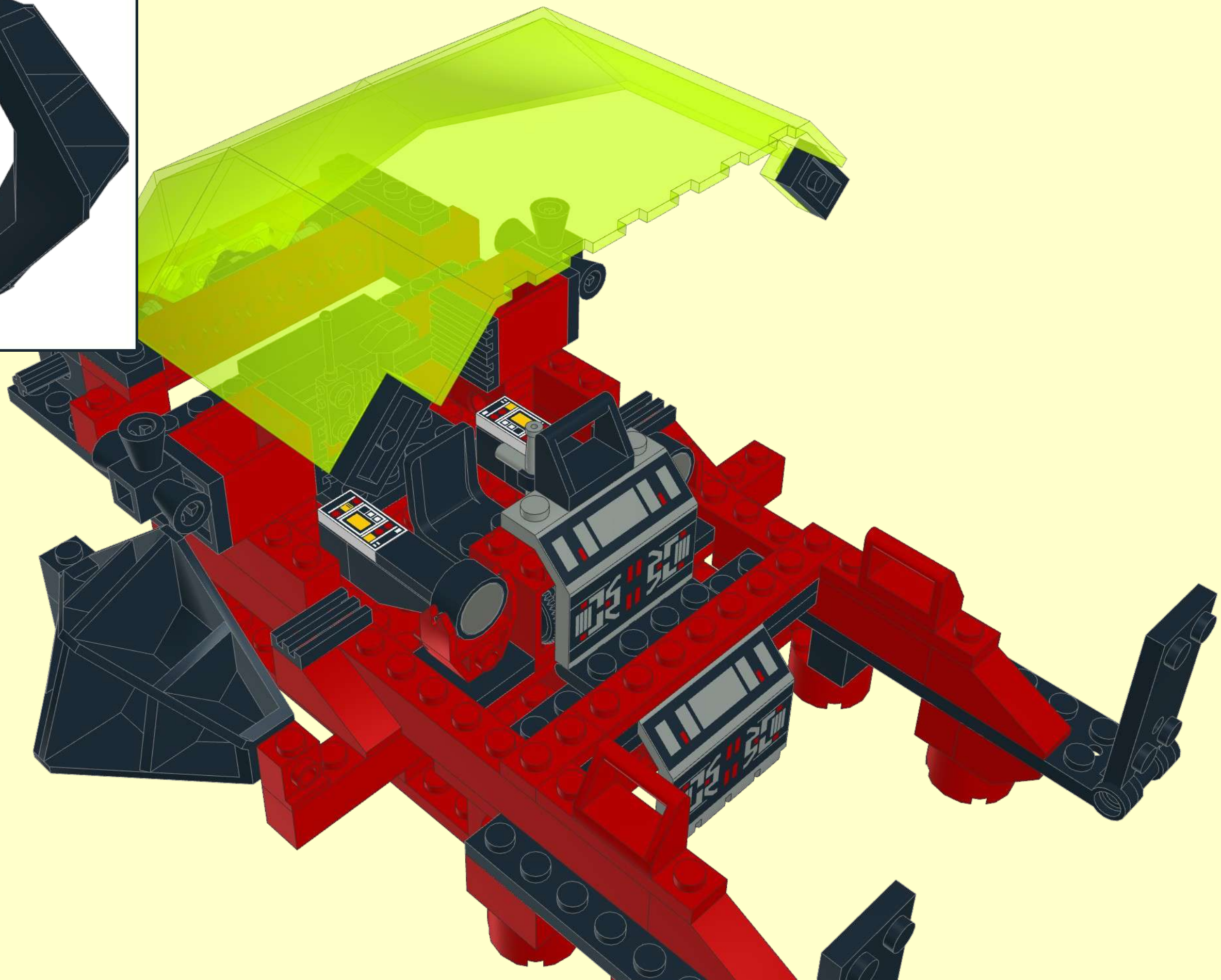
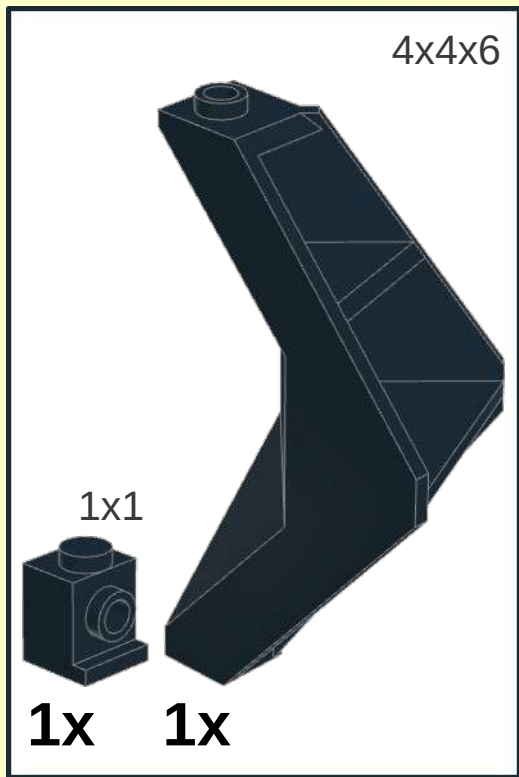
29

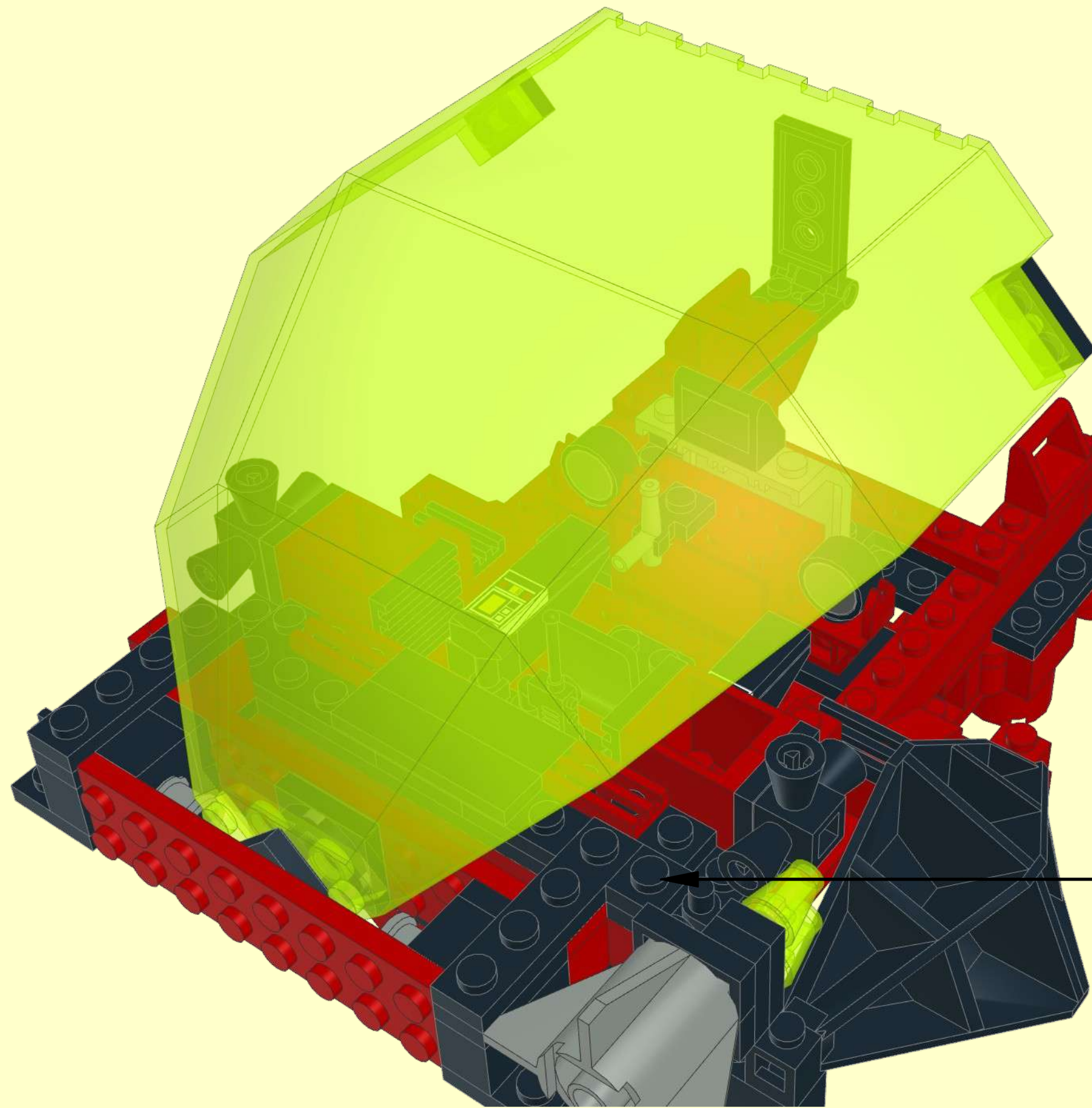


30



31







1	2	3
2x2x2	1x2	
1x	1x 1x1	2x
3x	1x	
	1x1	
	1x	

33

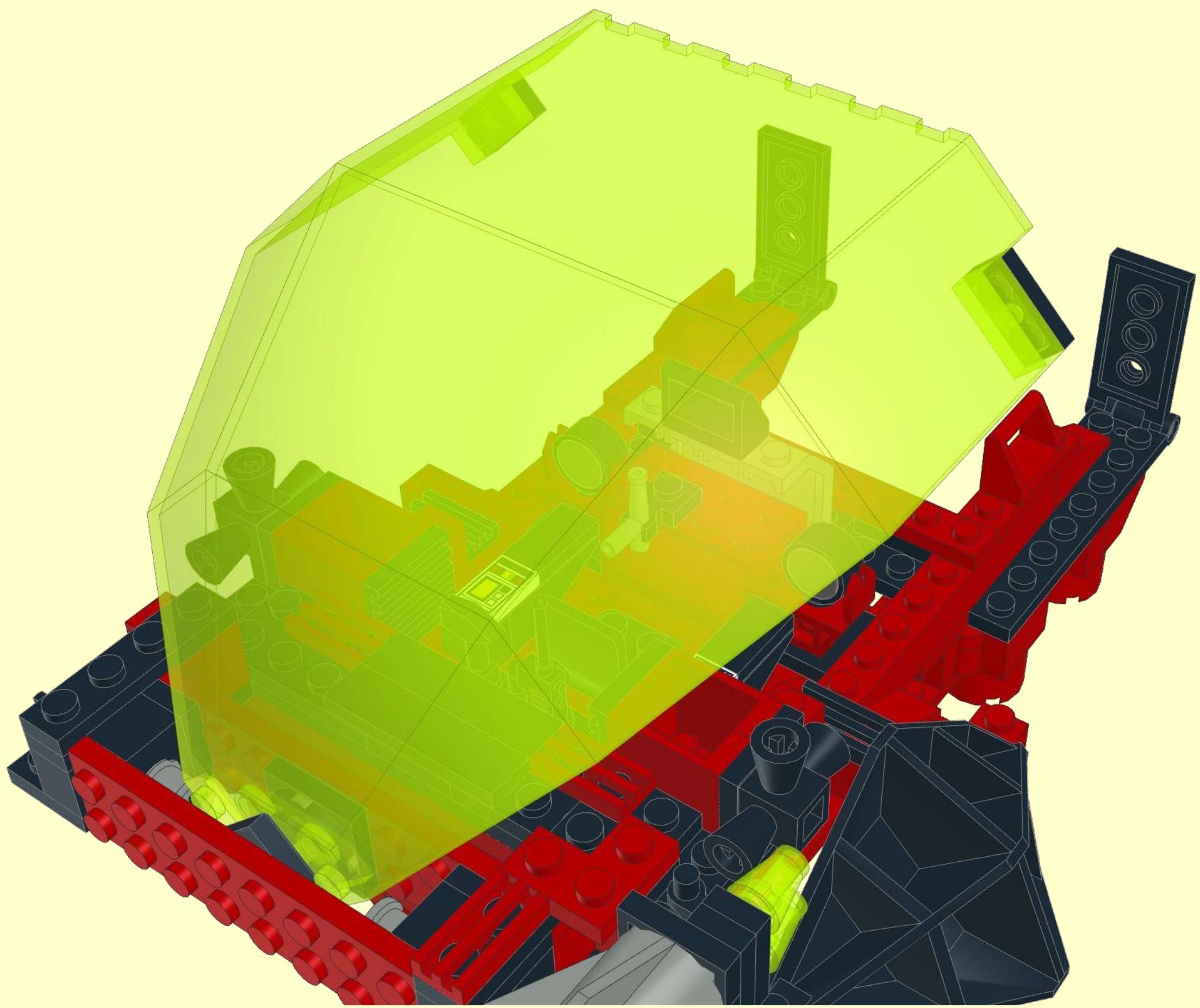
2x2



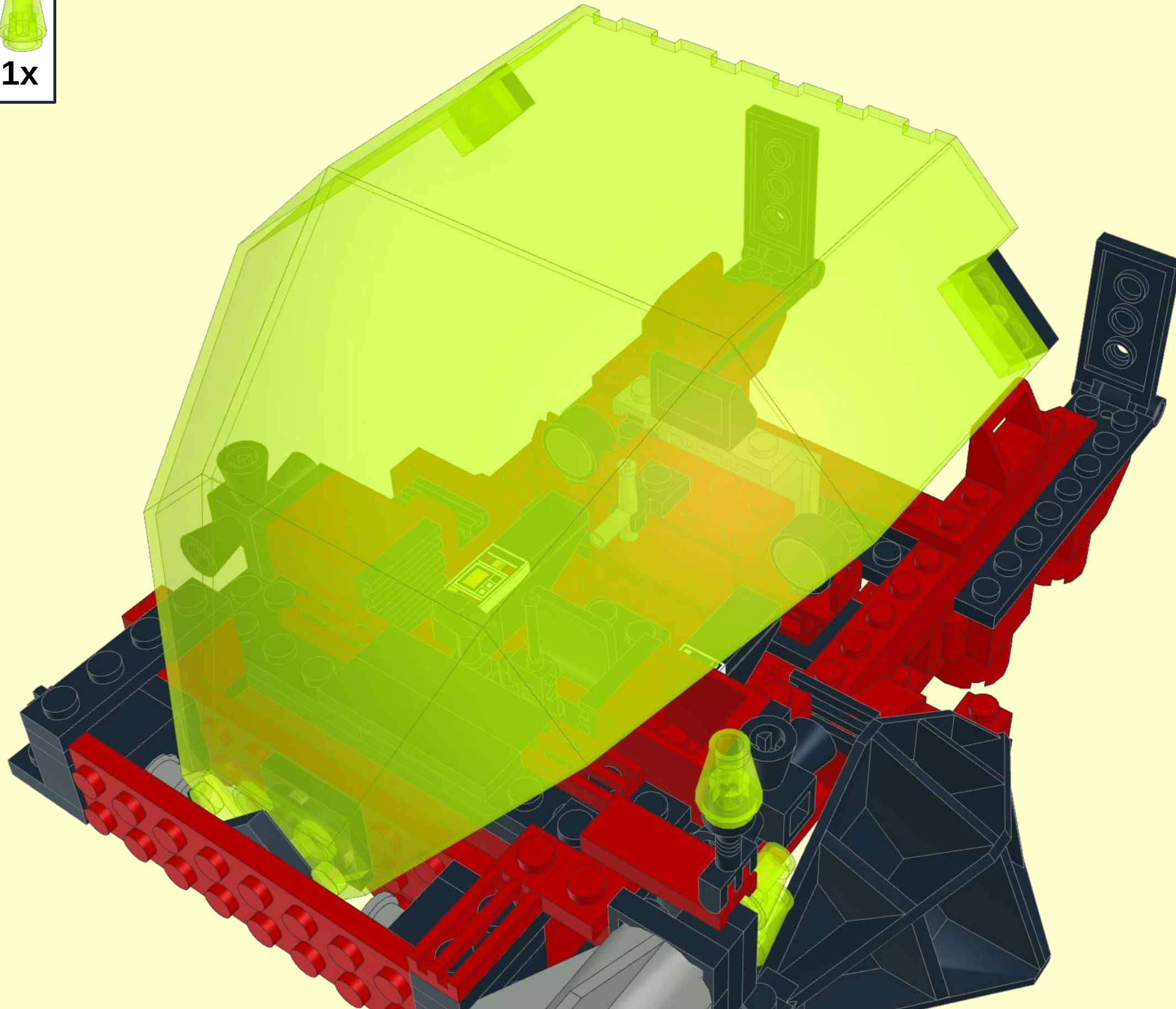
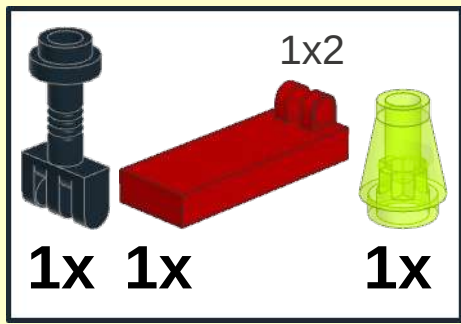
1x 1x2



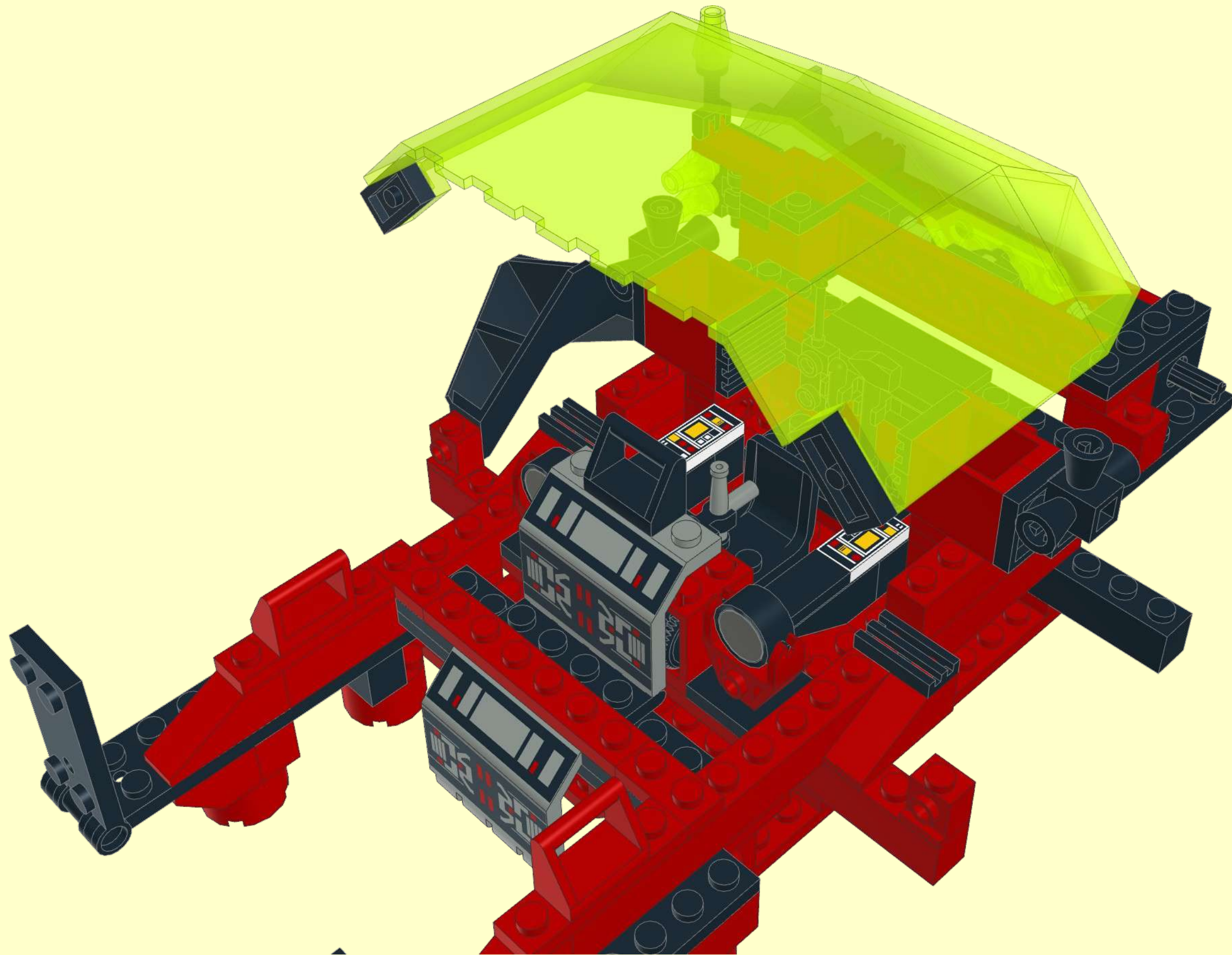
1x



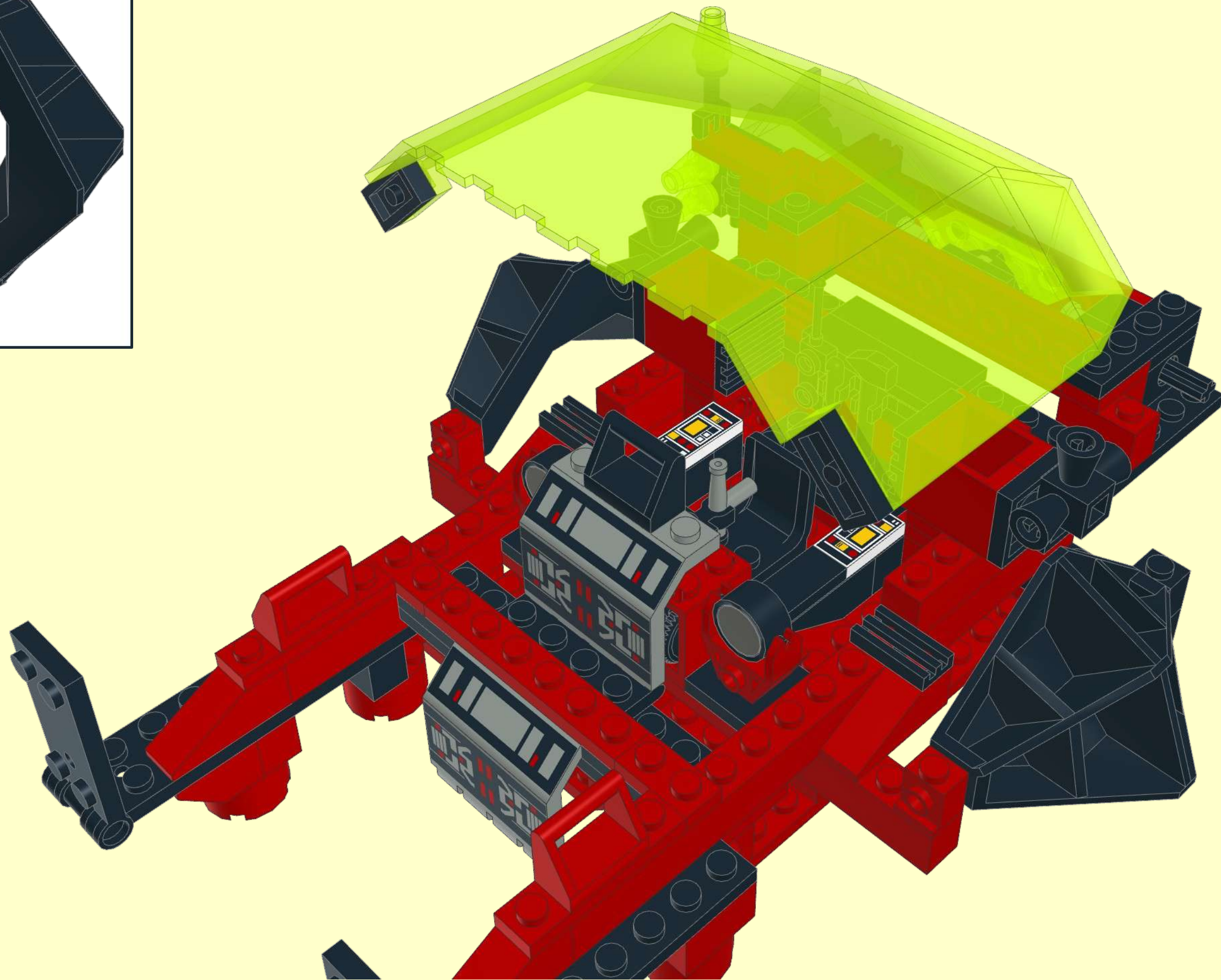
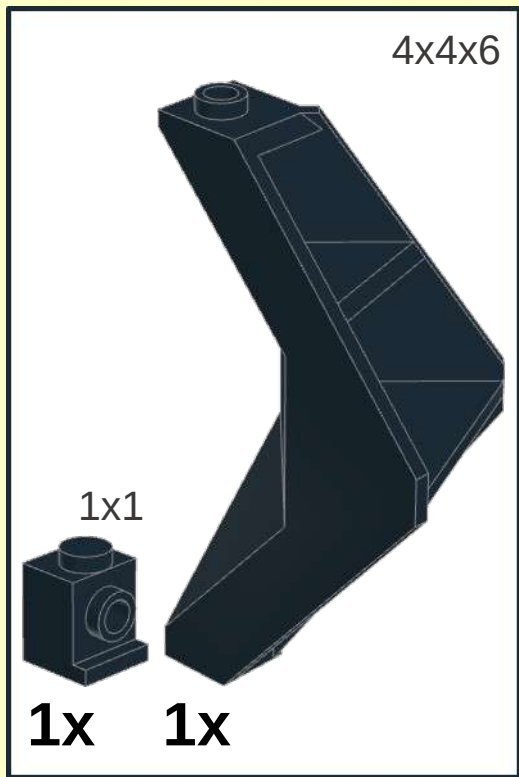
34

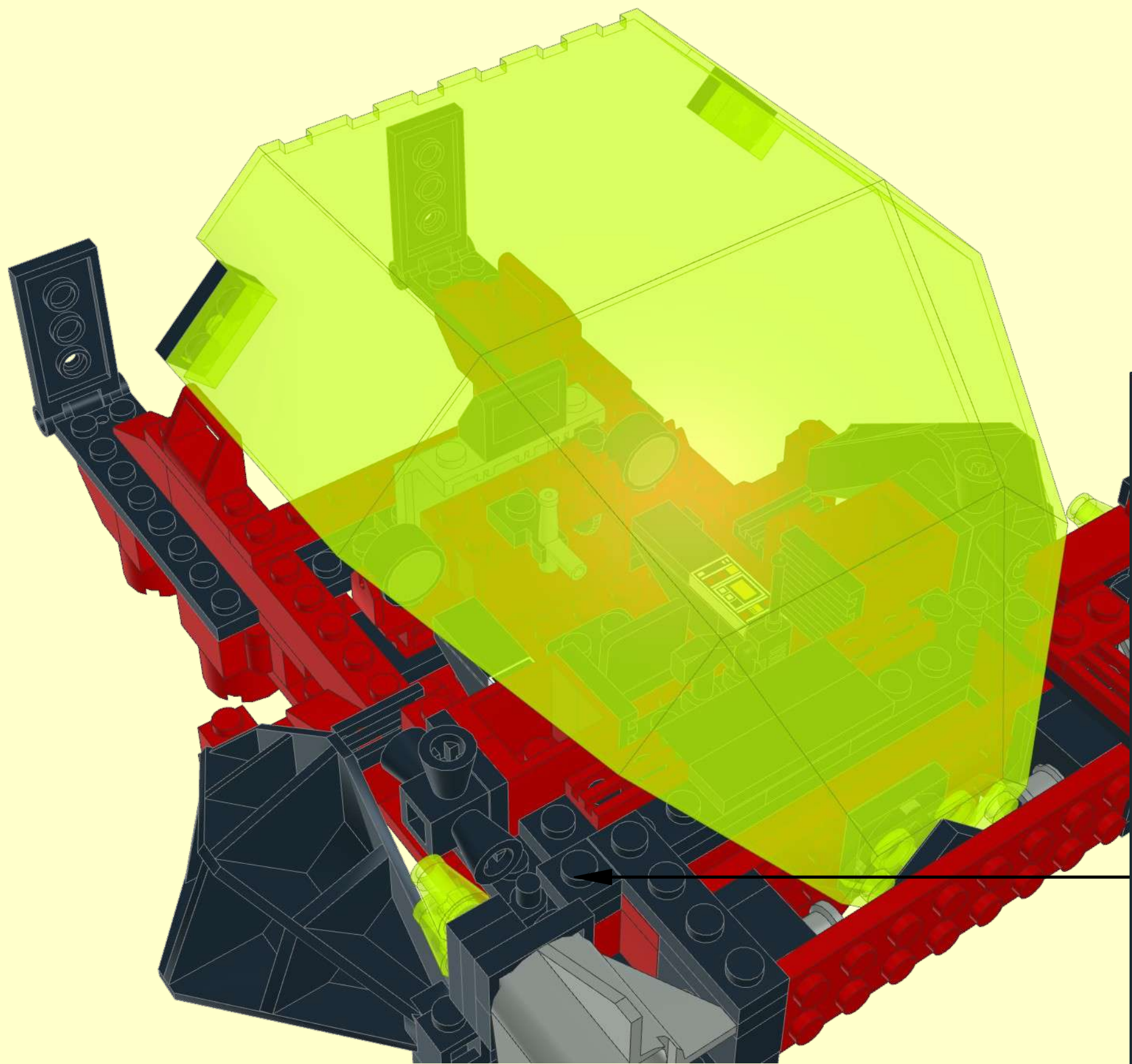



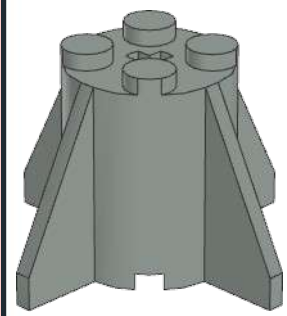

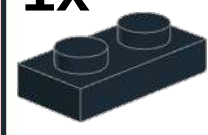
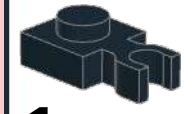
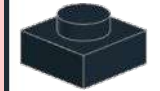
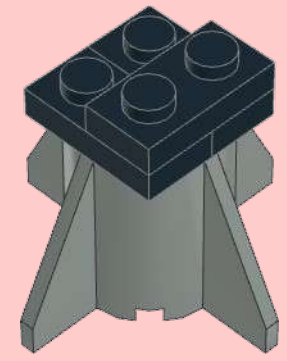
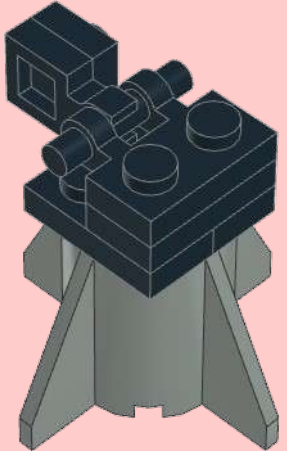

35



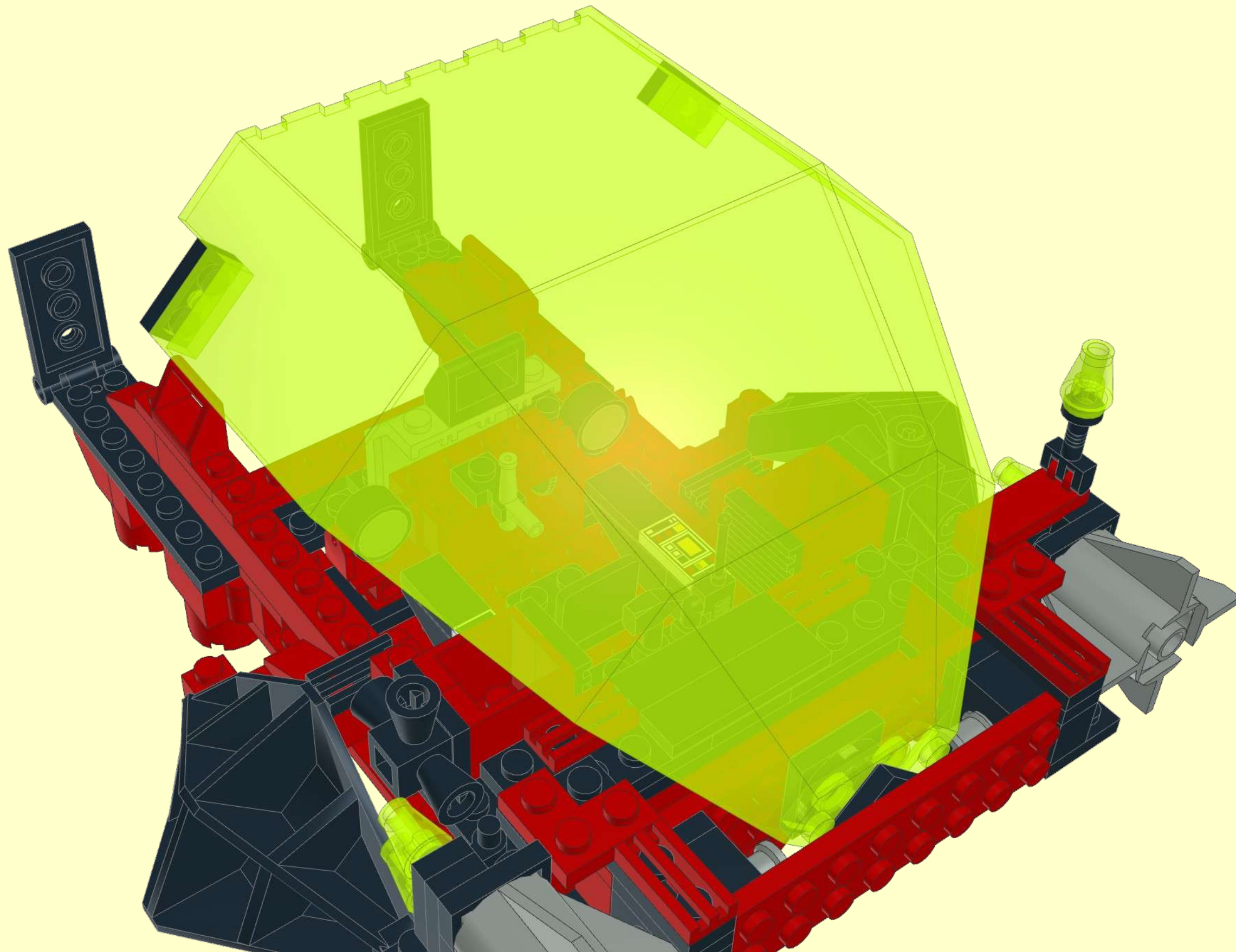
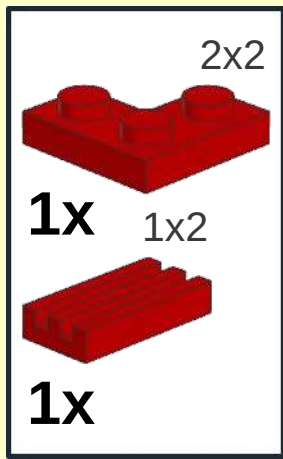
36



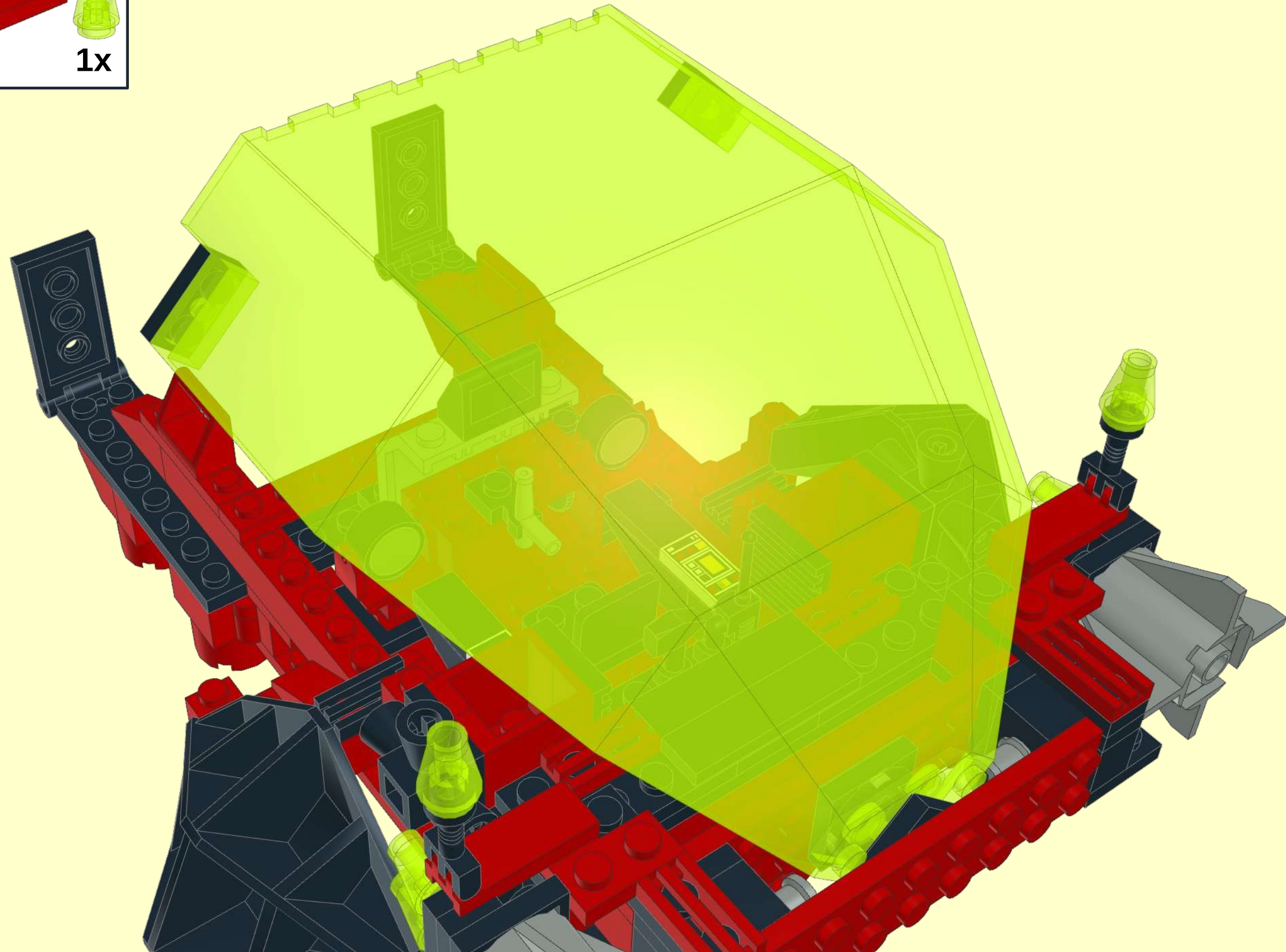
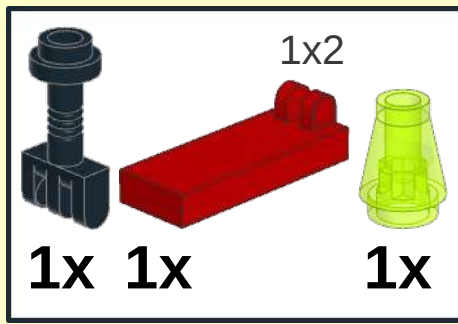


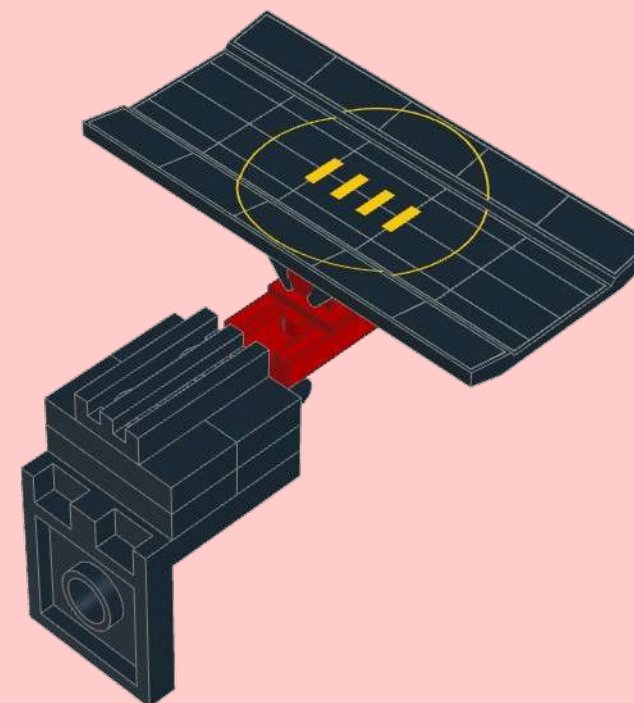
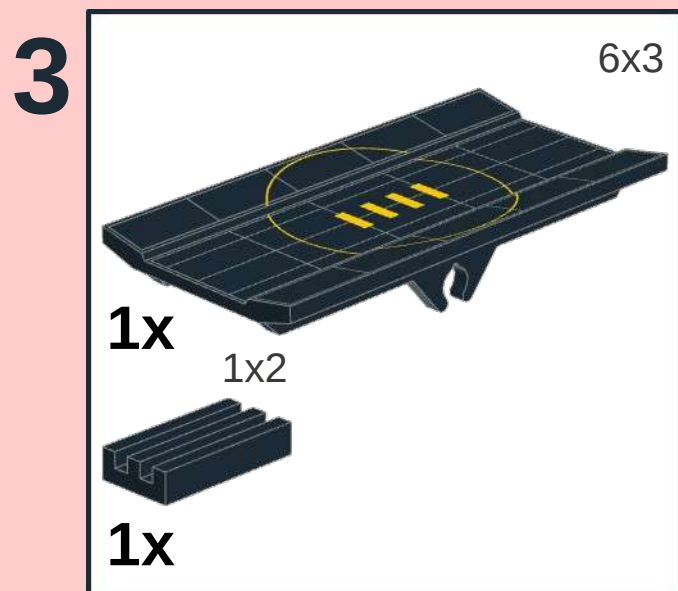
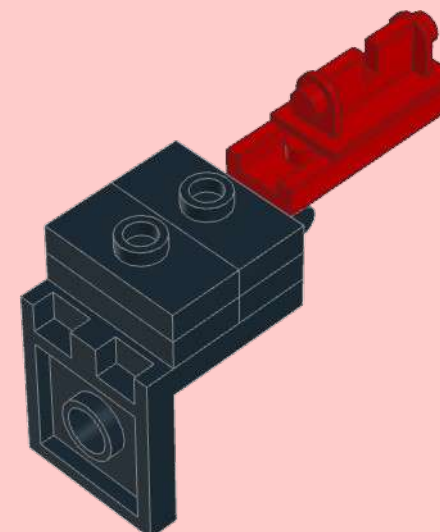
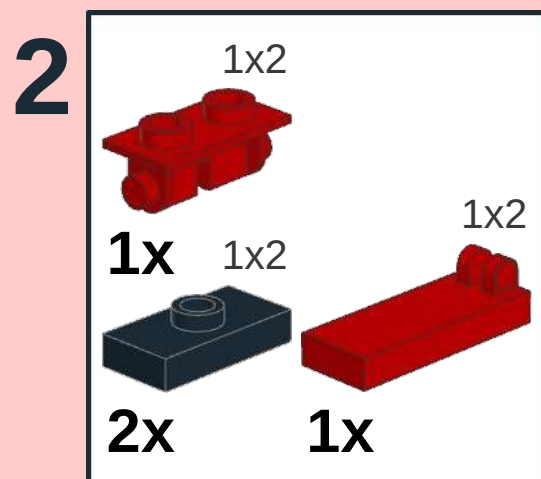
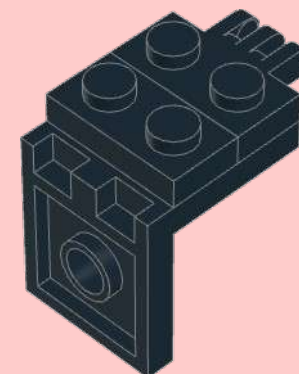
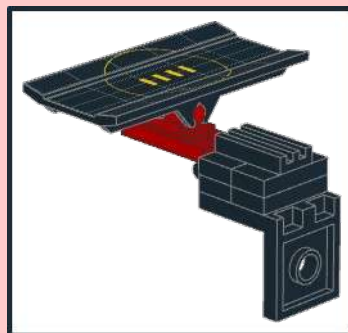
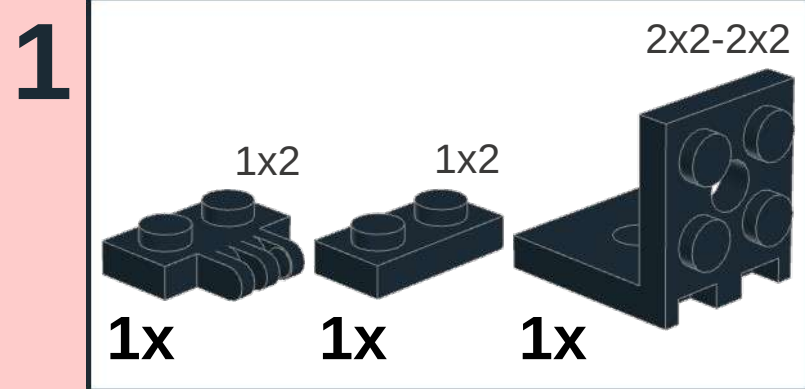
1	2x2x2	2	1x2	3	
				2x	
1x	1x2	1x	1x1		
					
3x		1x	1x1		
					
		1x			
					

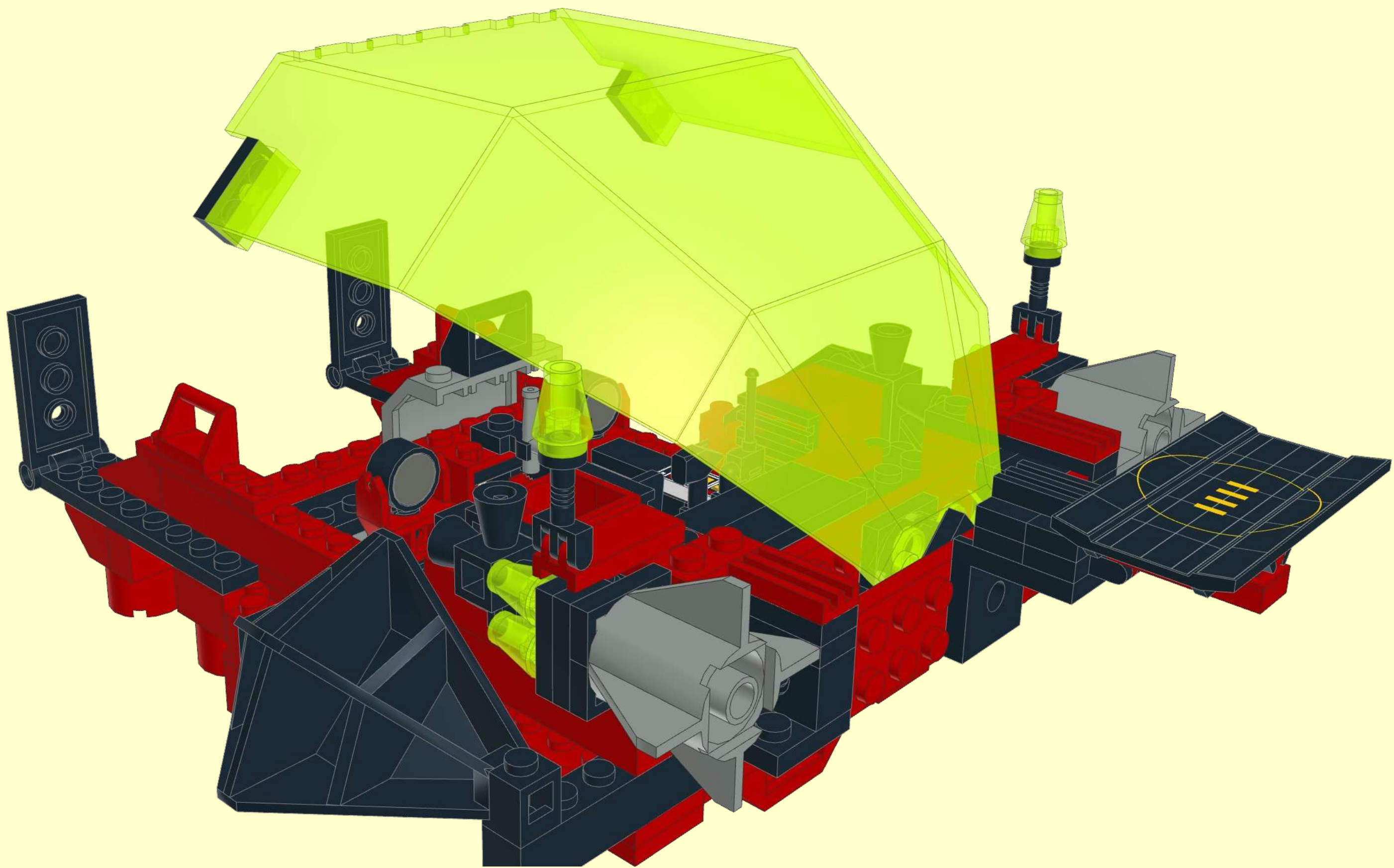
38



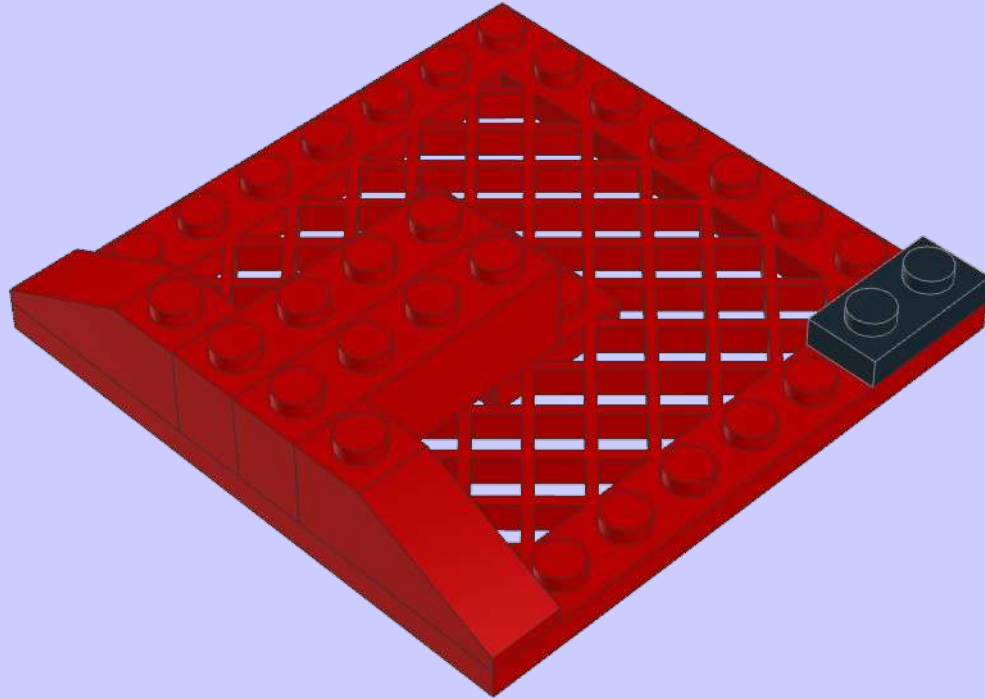
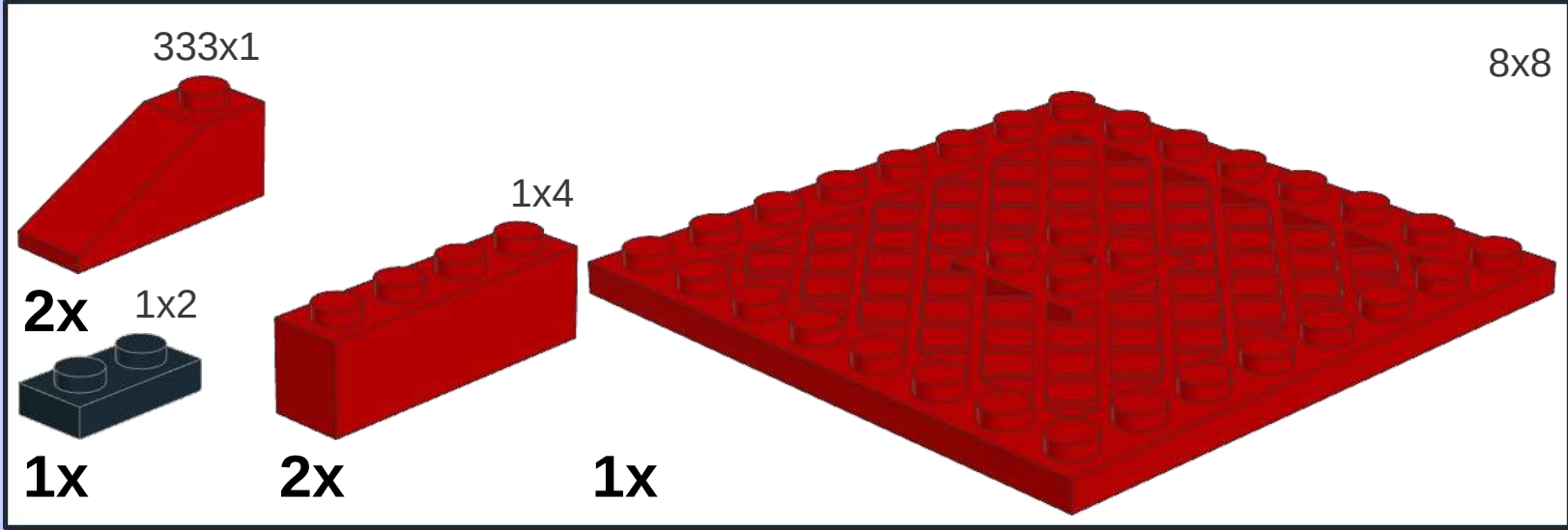
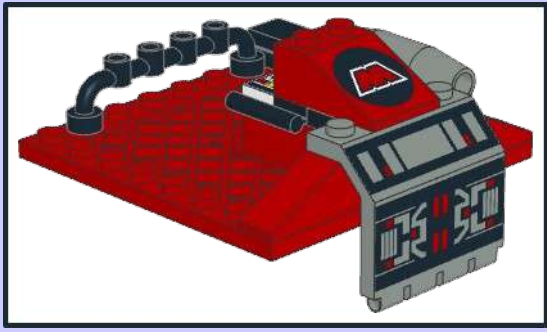
39



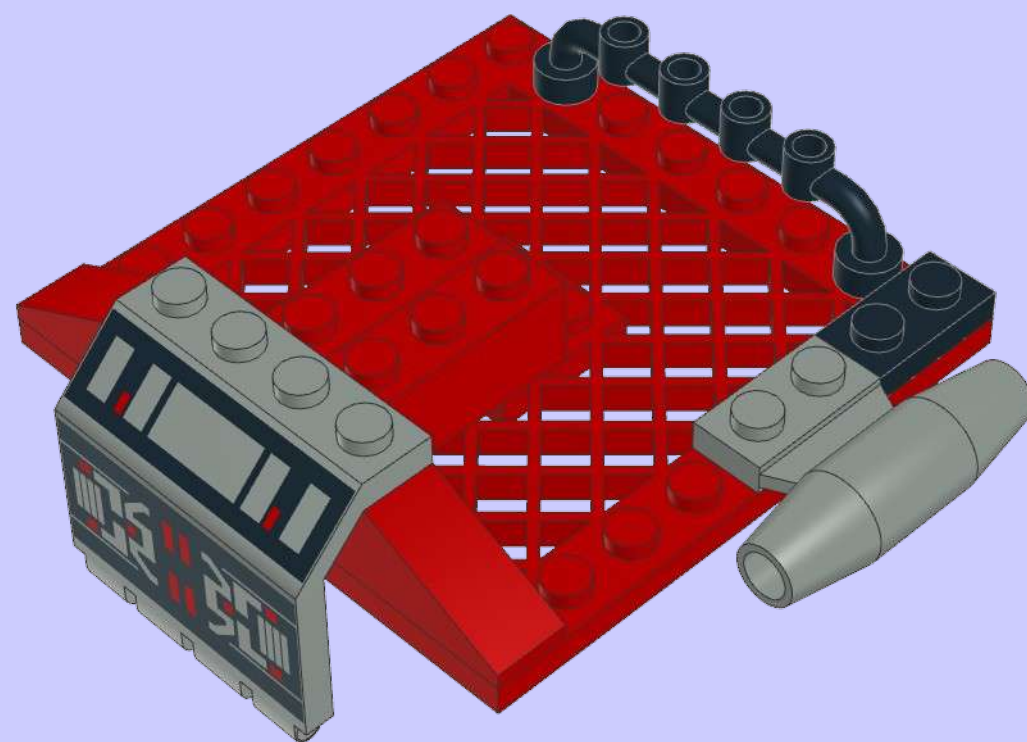
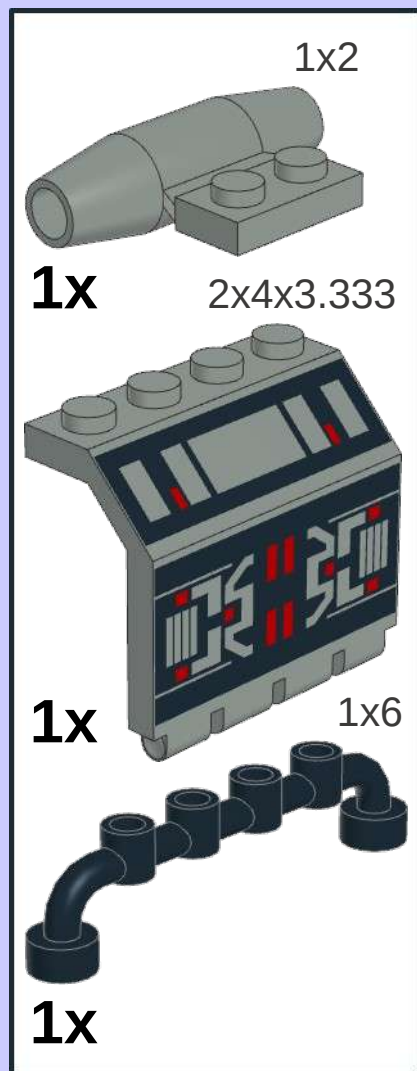




1




2



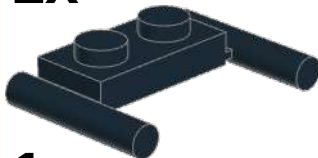
3

1x2




1x

1x2




1x

1x2



1x

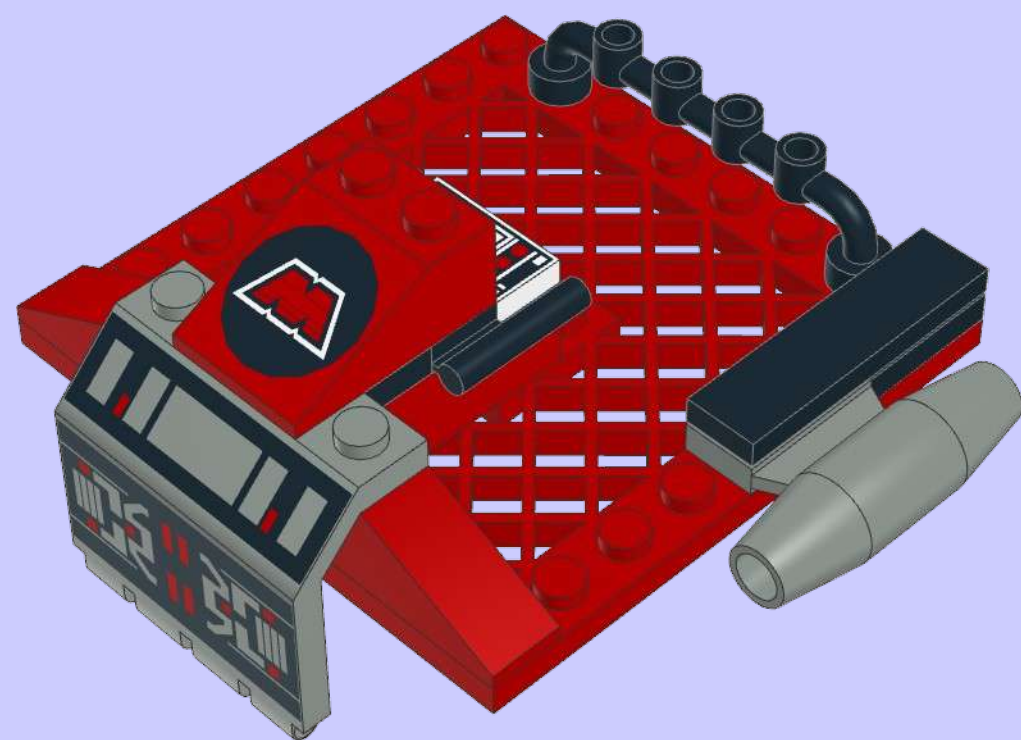
1x4



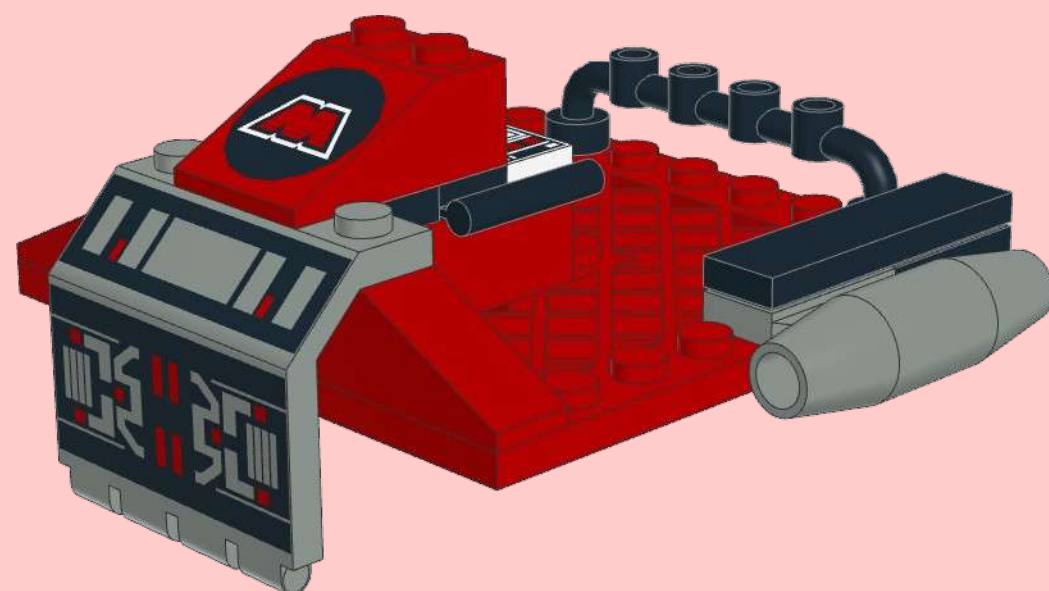
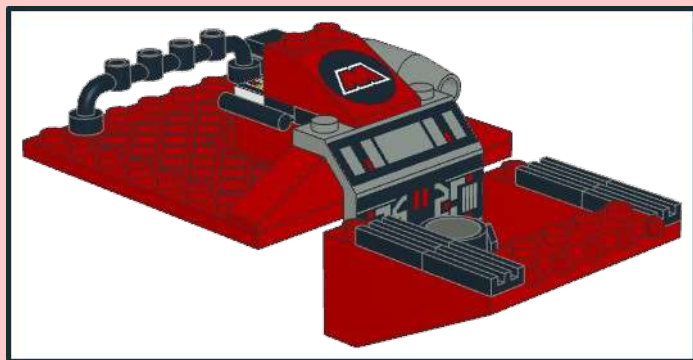
1x

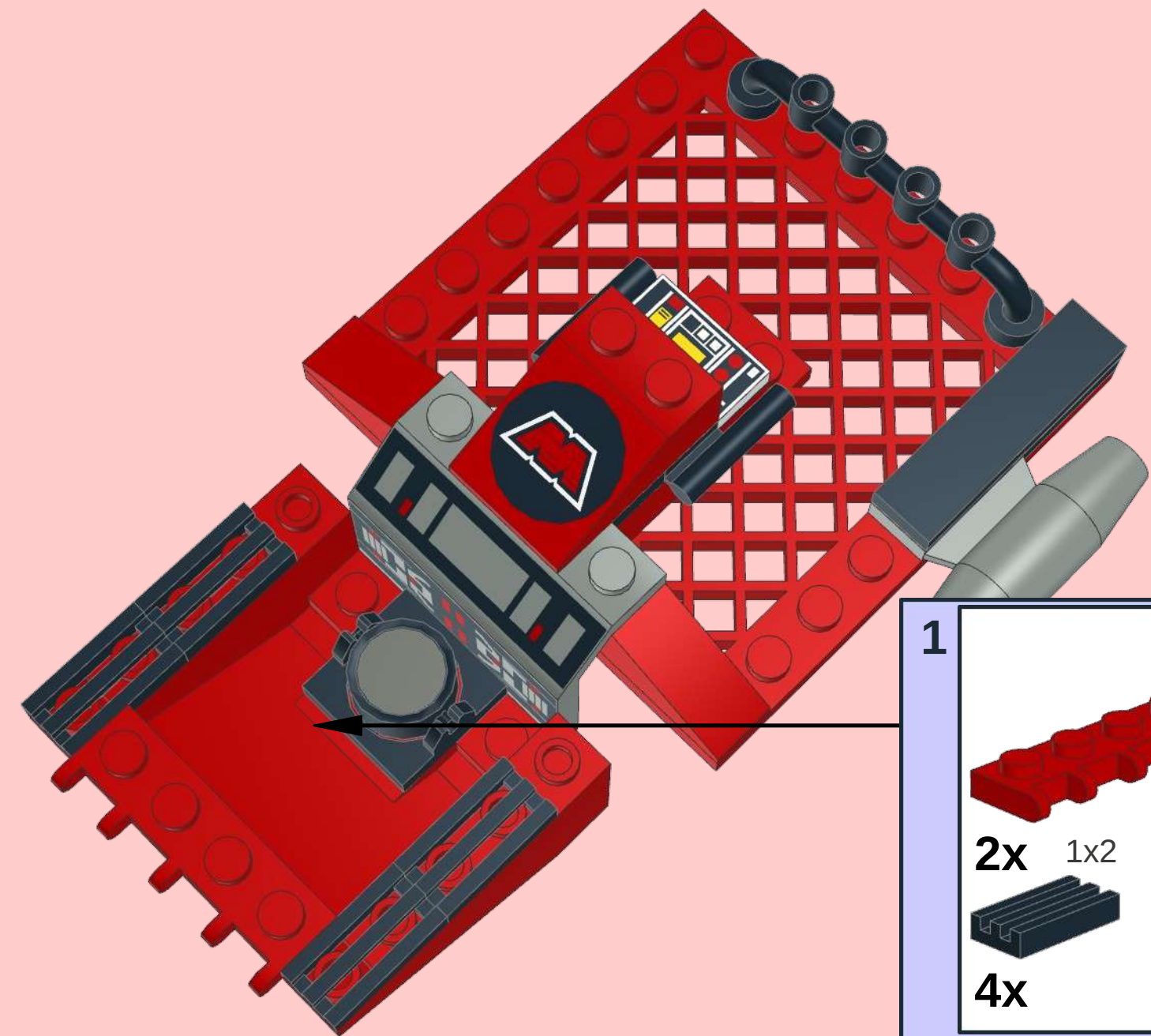


4



1





1

1x4

33x6x2

2x 1x2

4x

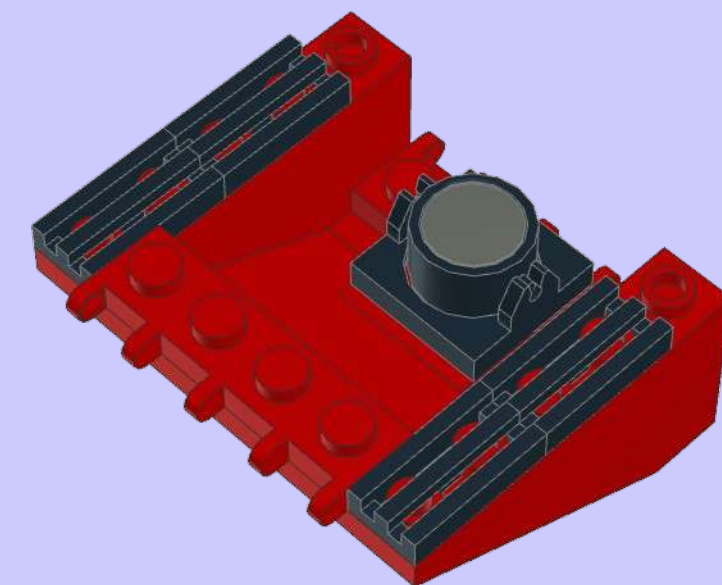
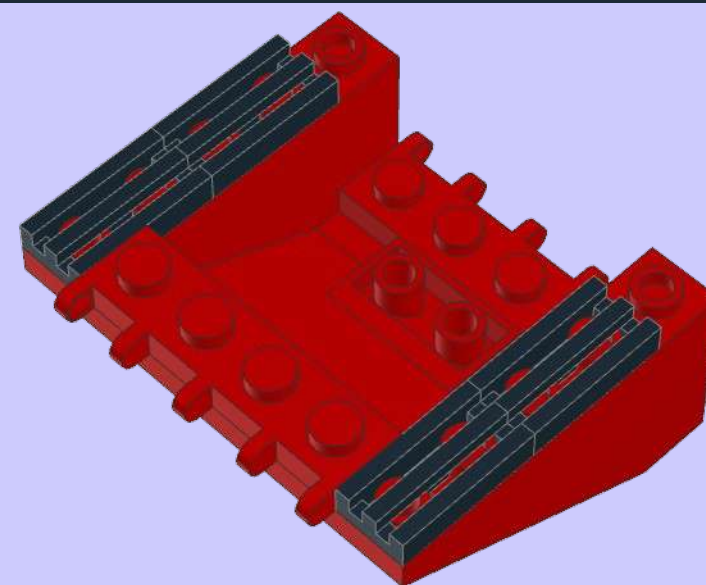
1x

A parts list for step 1. It includes a red 1x4 Technic brick, a red 33x6x2 Technic brick, two grey 1x2 Technic axles, and four grey Technic pins.

2

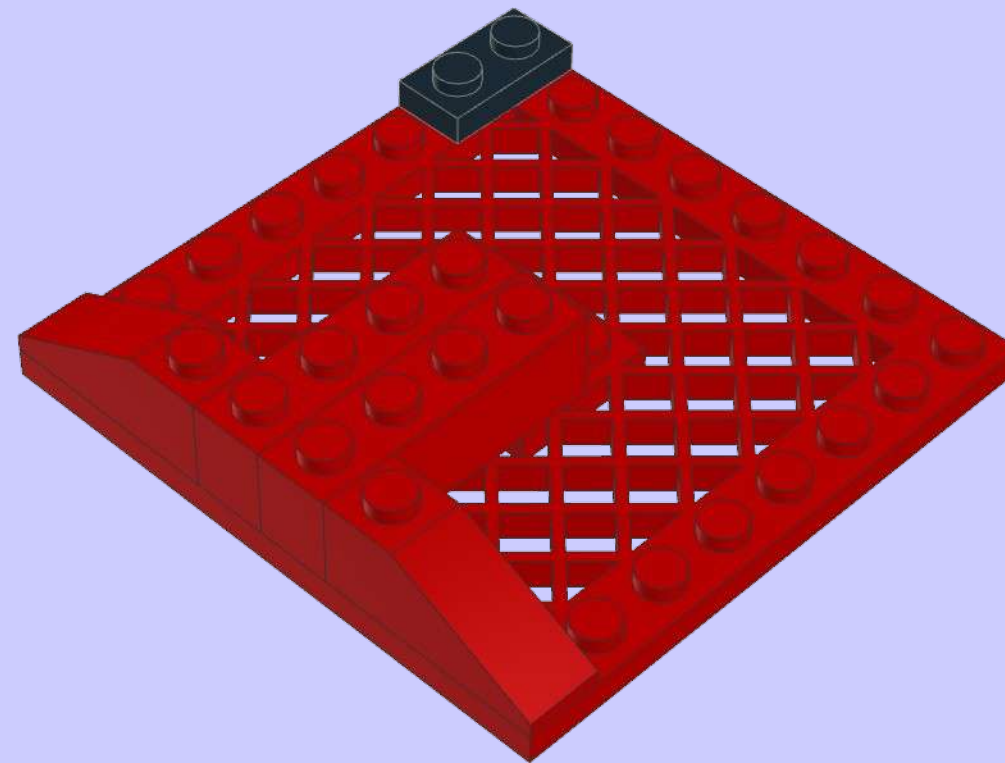
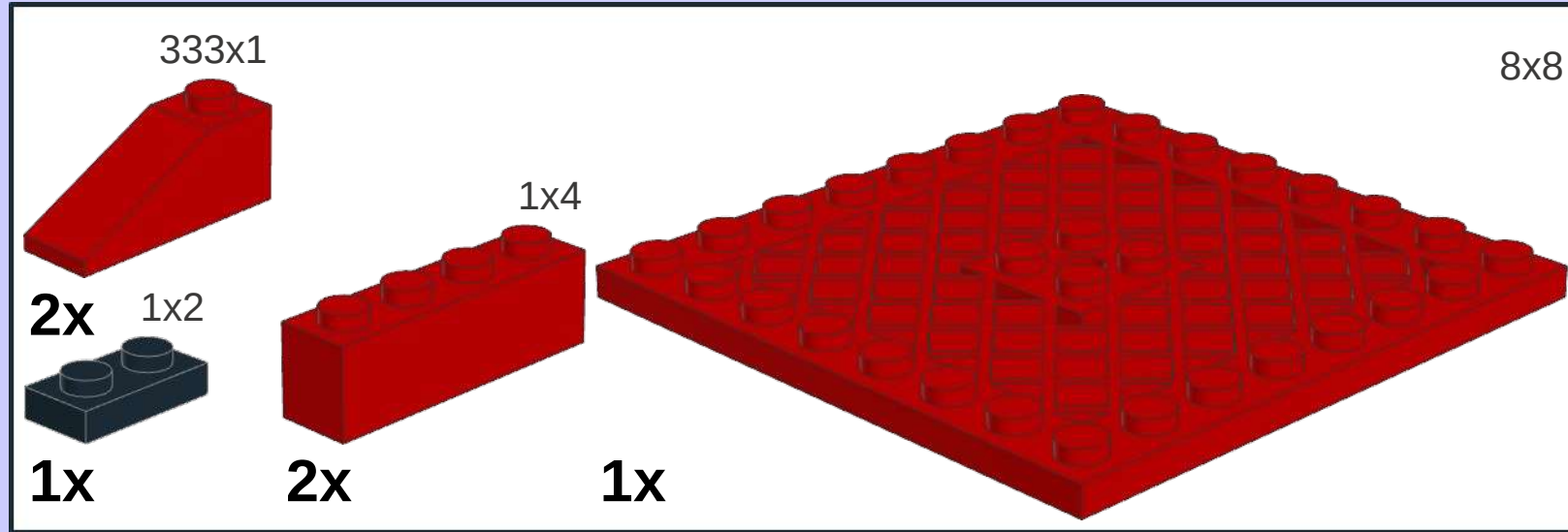
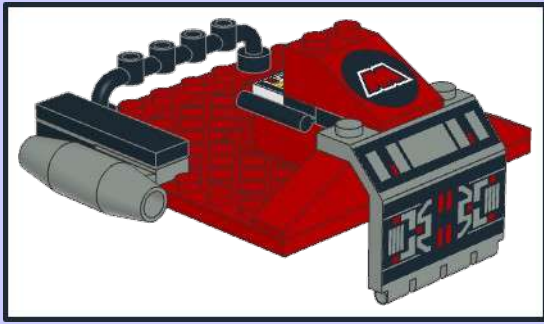
1x 1x

A parts list for step 2. It includes one grey Technic bush and one grey Technic axle connector.

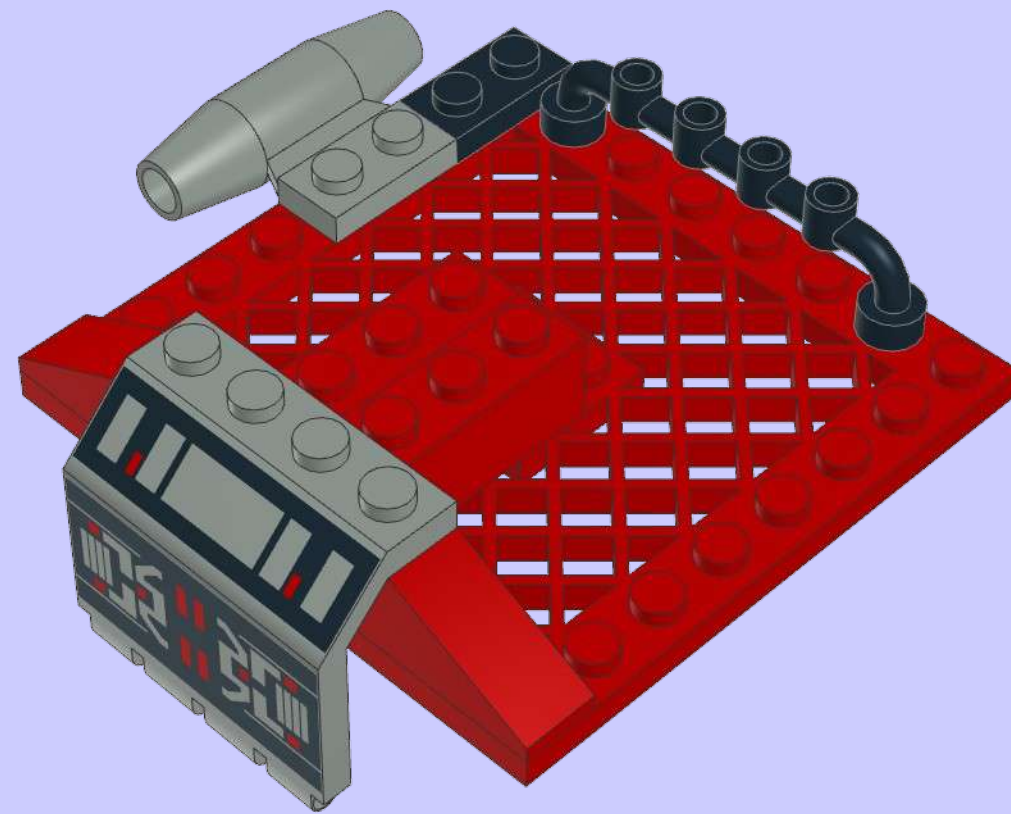
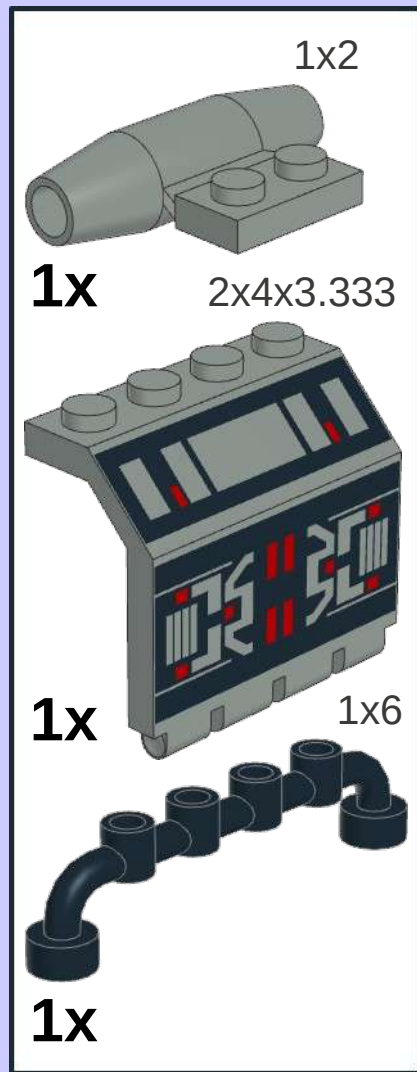




1

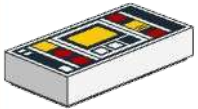


2



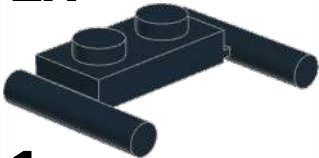
3

1x2



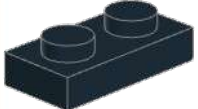
1x2

1x




1x2

1x

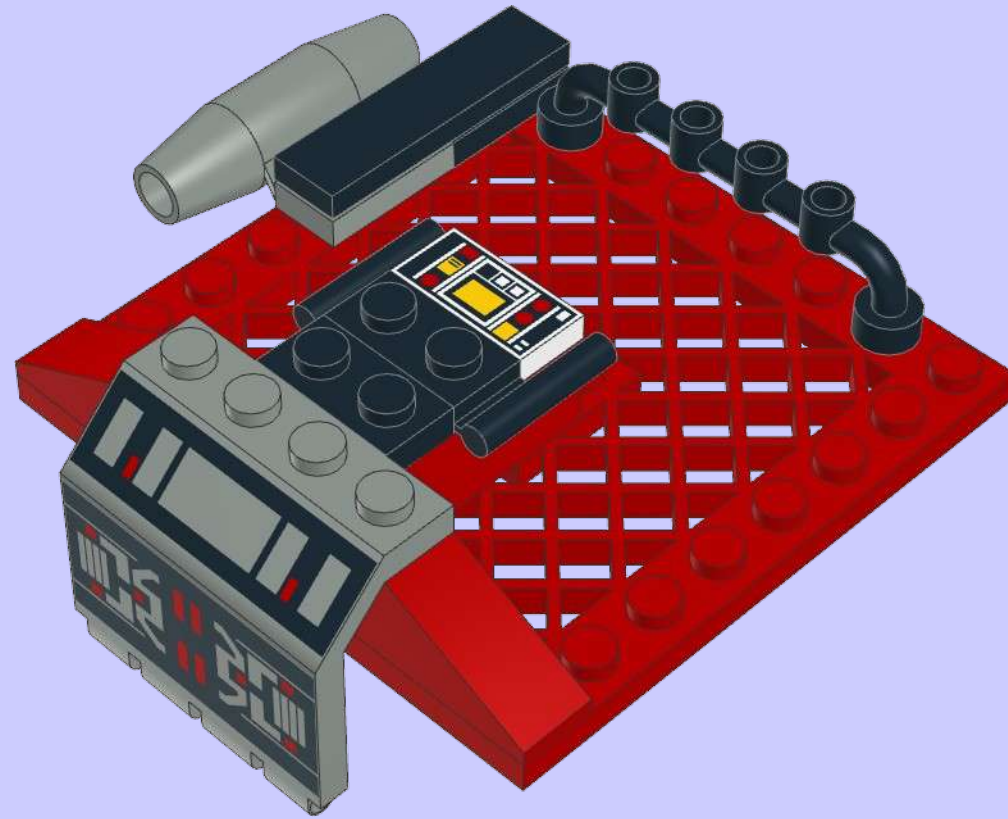


1x4

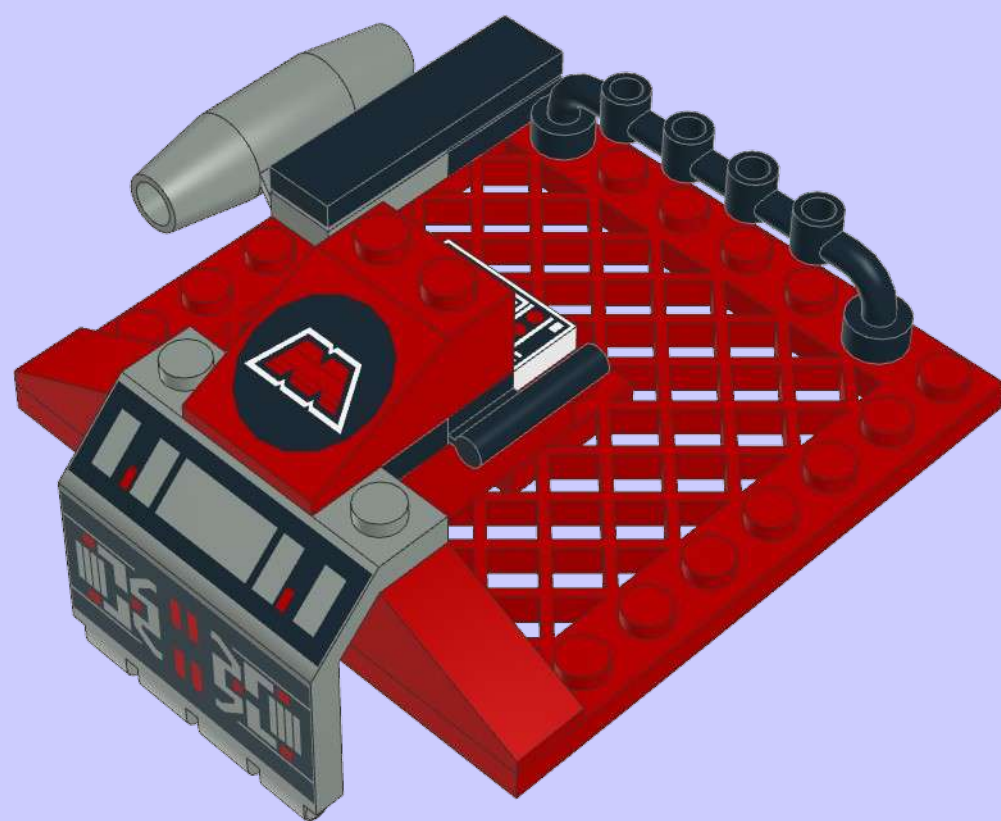
1x



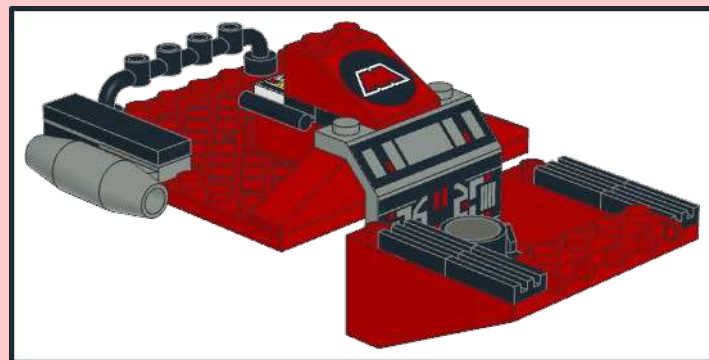
1x

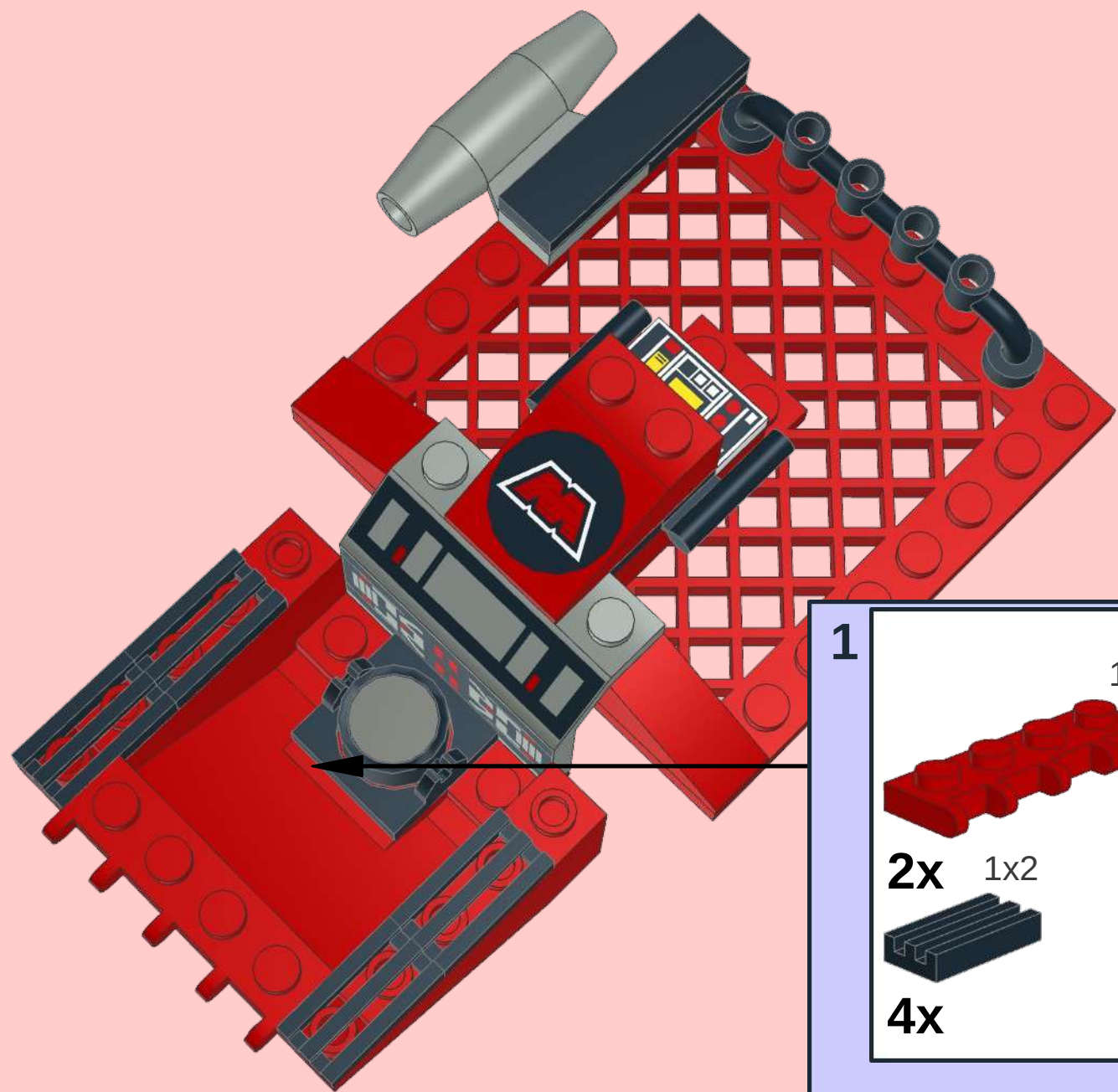


4



1





1

1x4

335x6x2

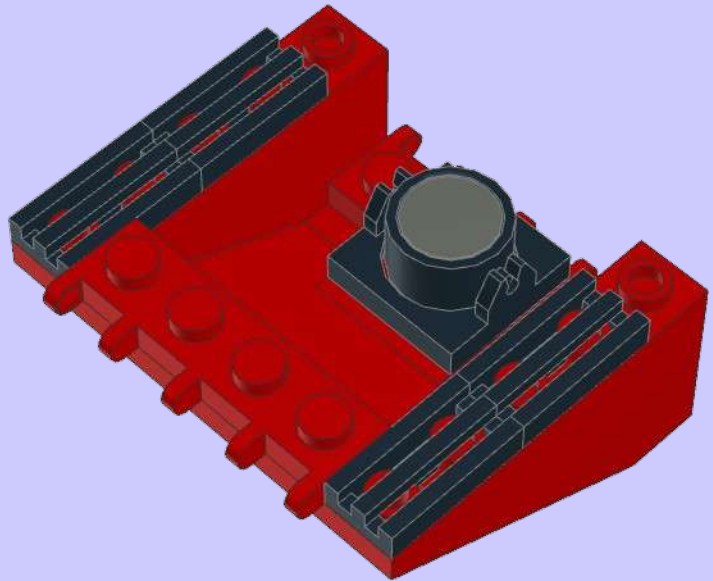
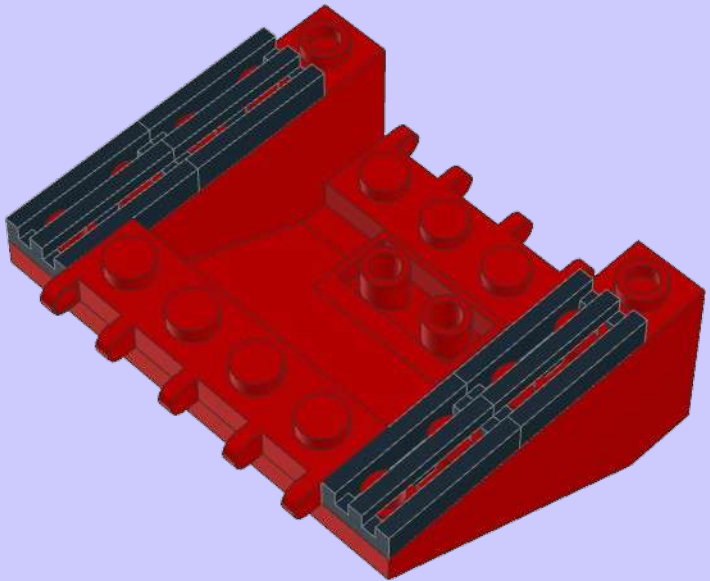
2x 1x2

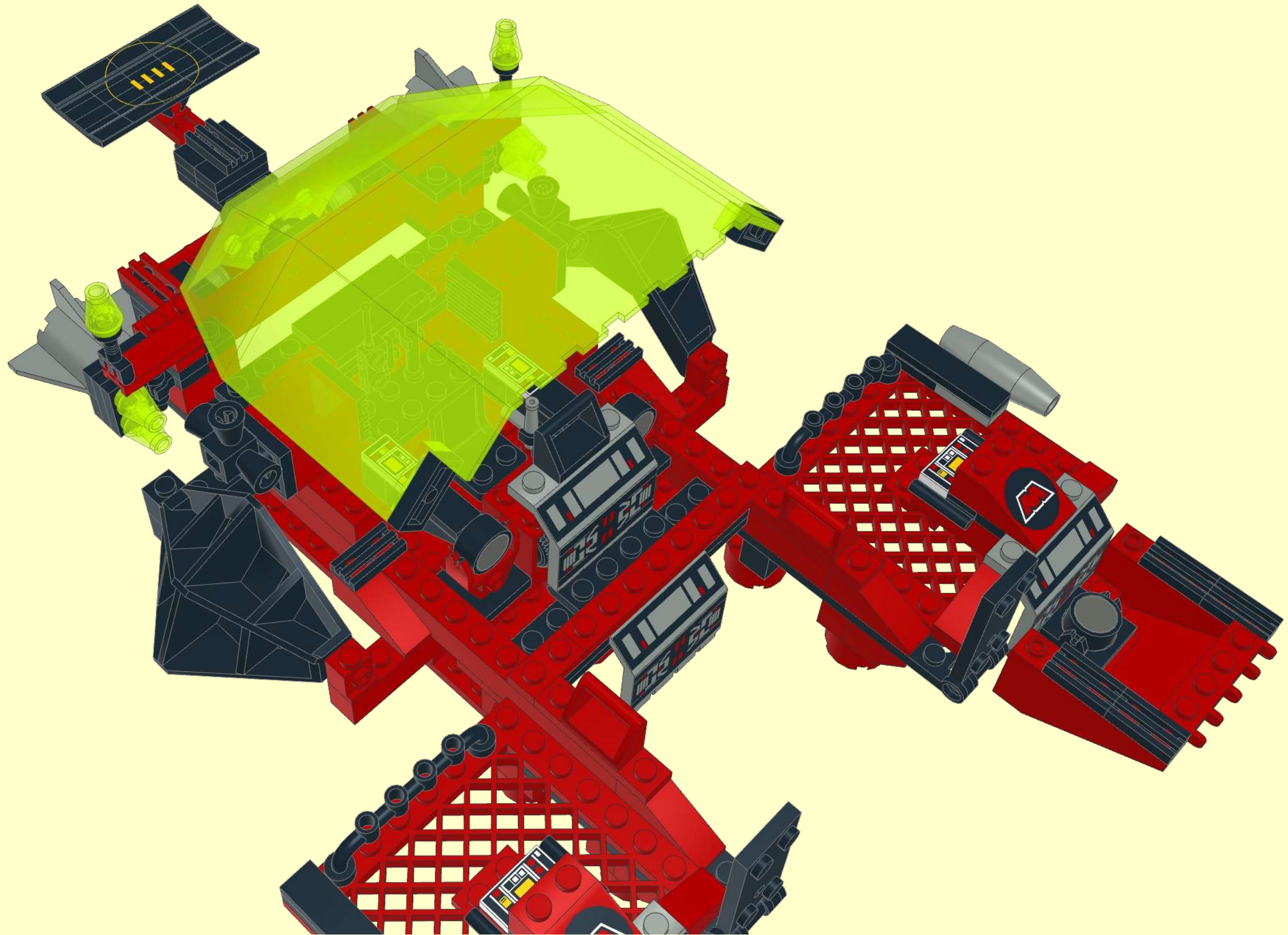
4x

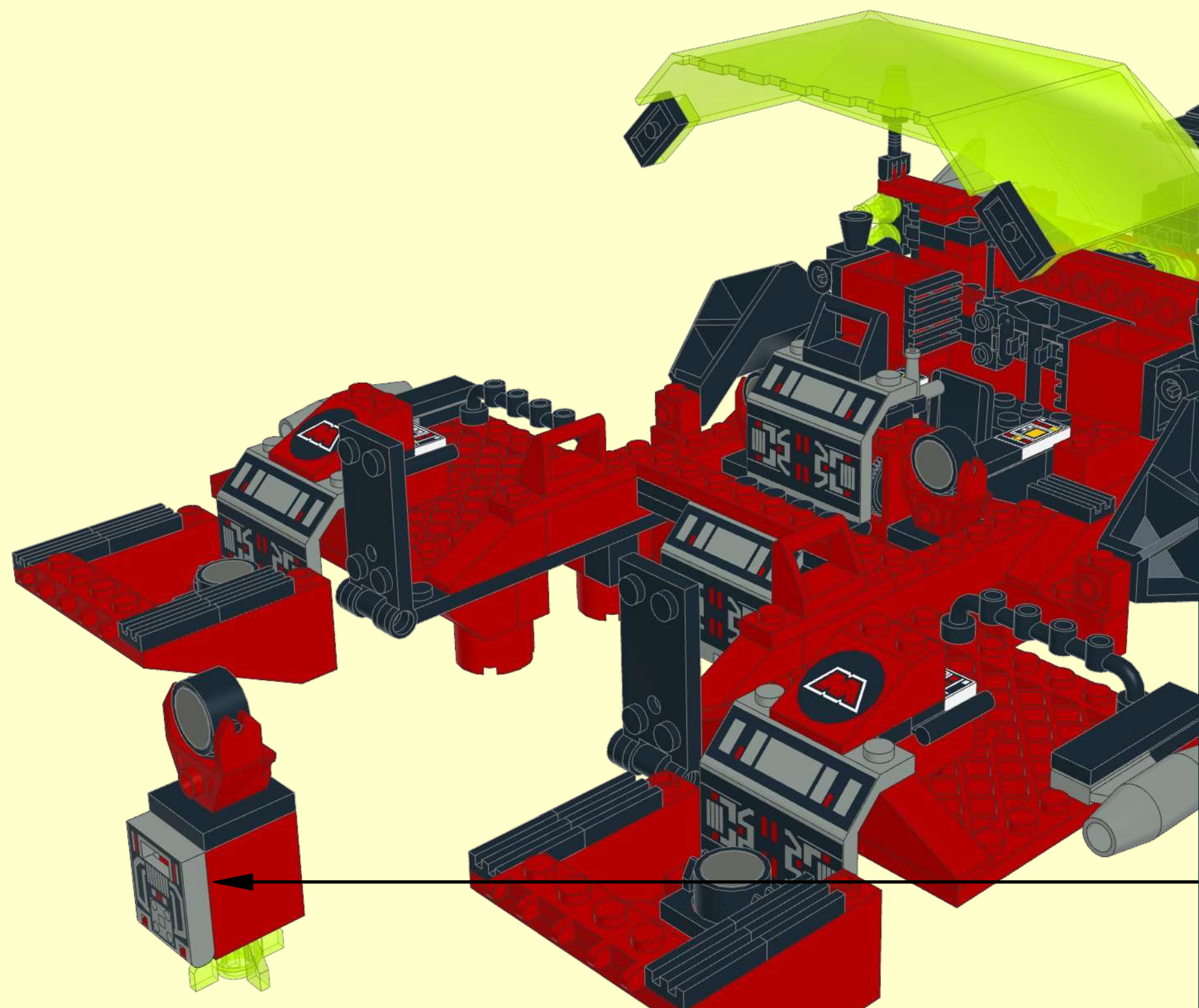
1x

2

1x 1x







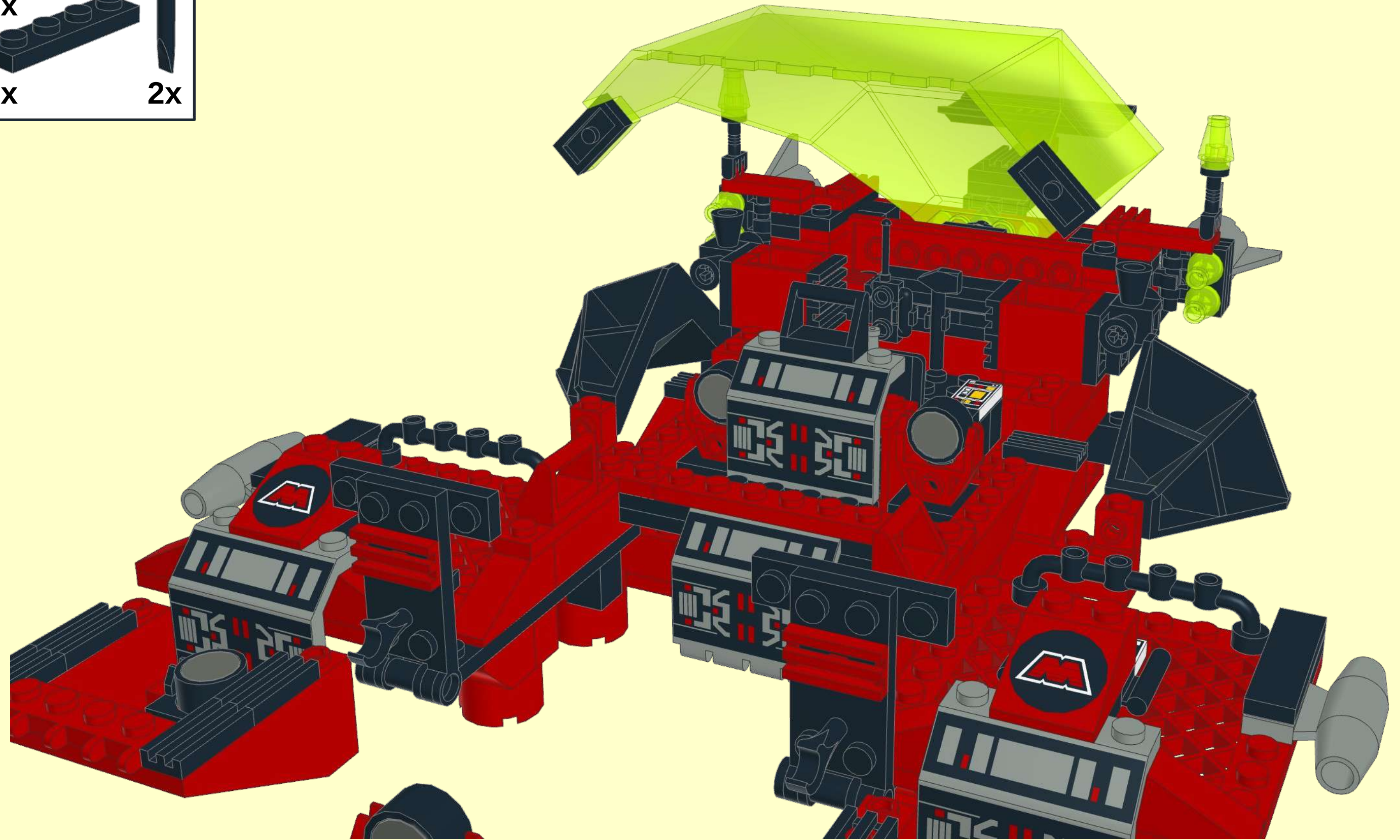
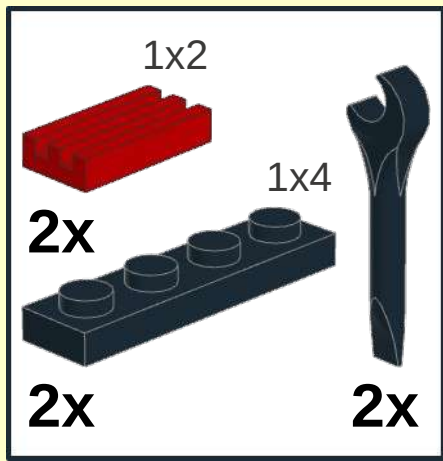
1

2x2x2 2x2x2 1x1

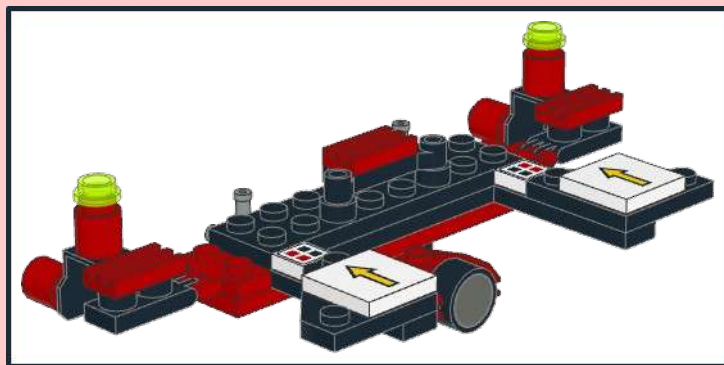
1x **1x** **1x**

2

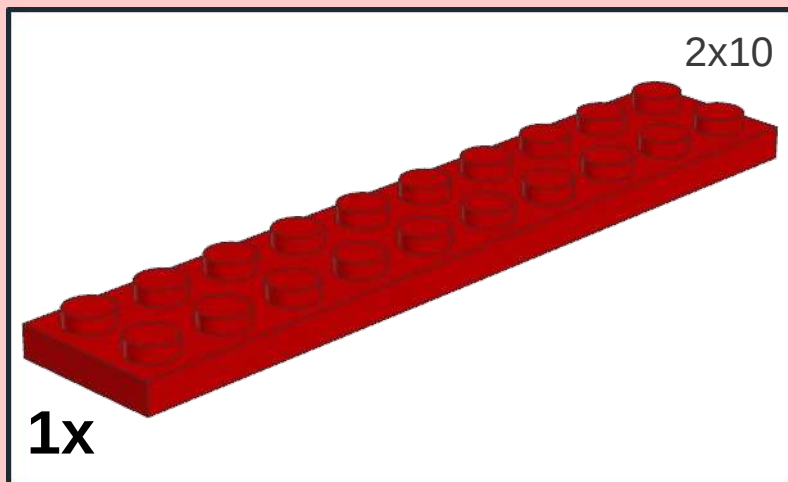
1x **1x** **1x**



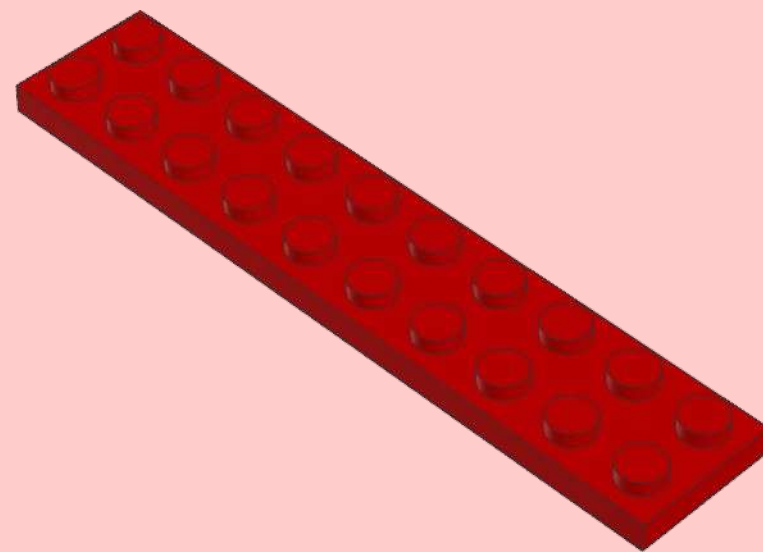
1



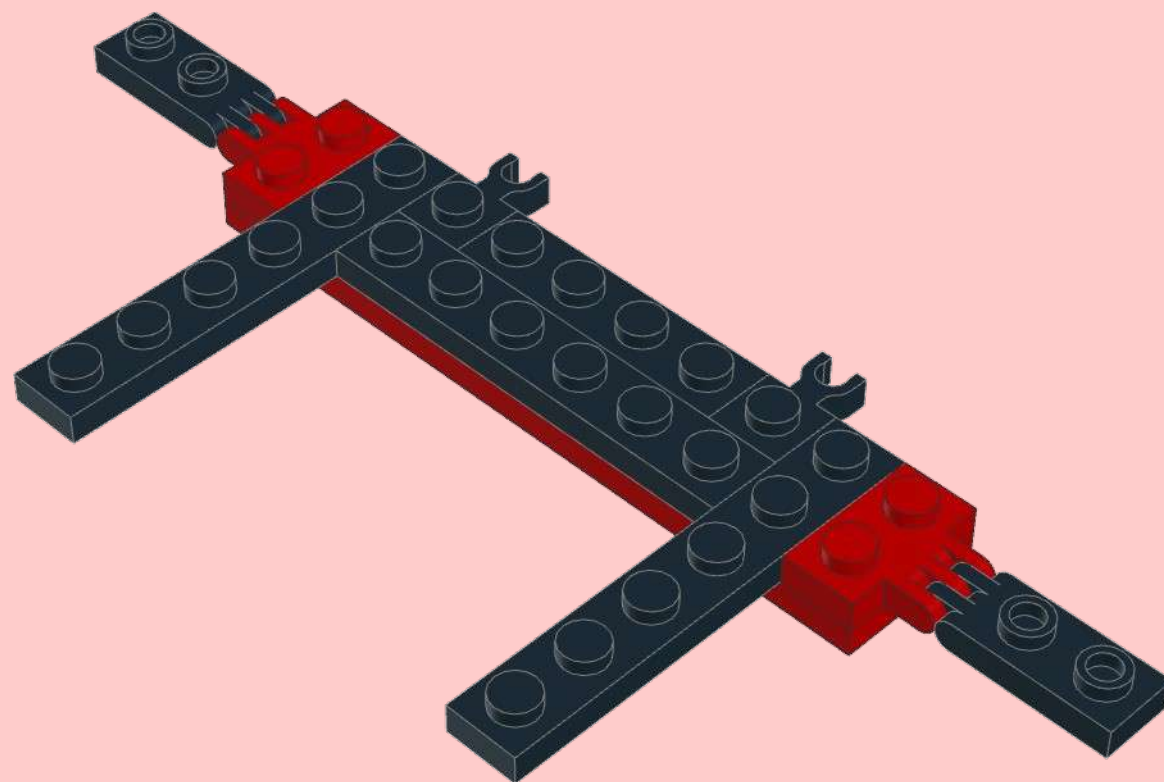
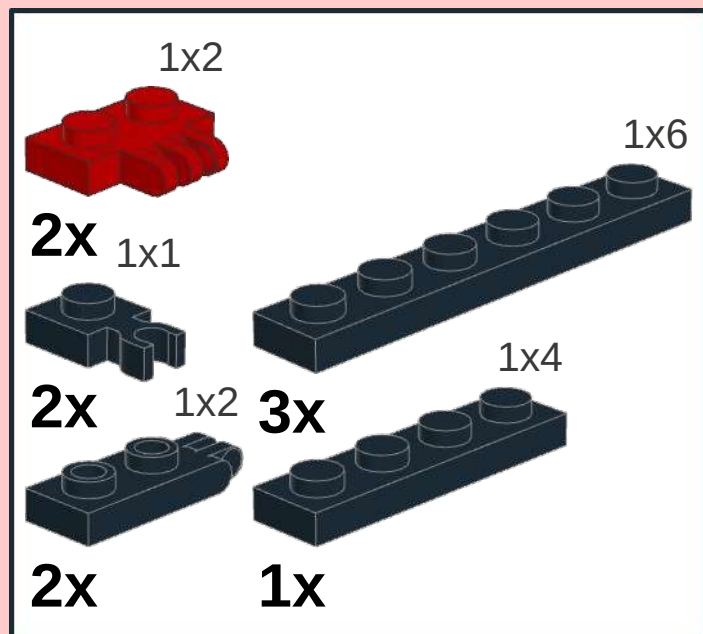
2x10



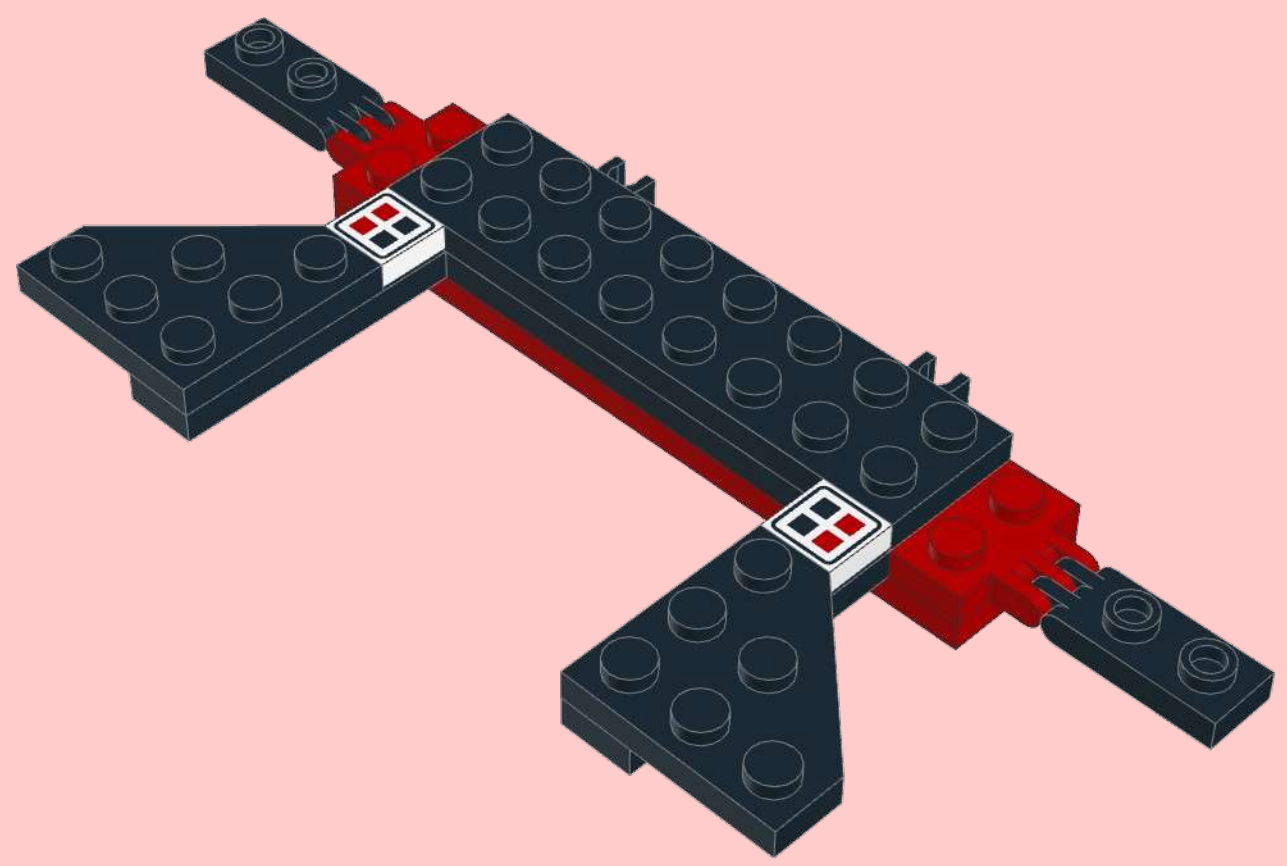
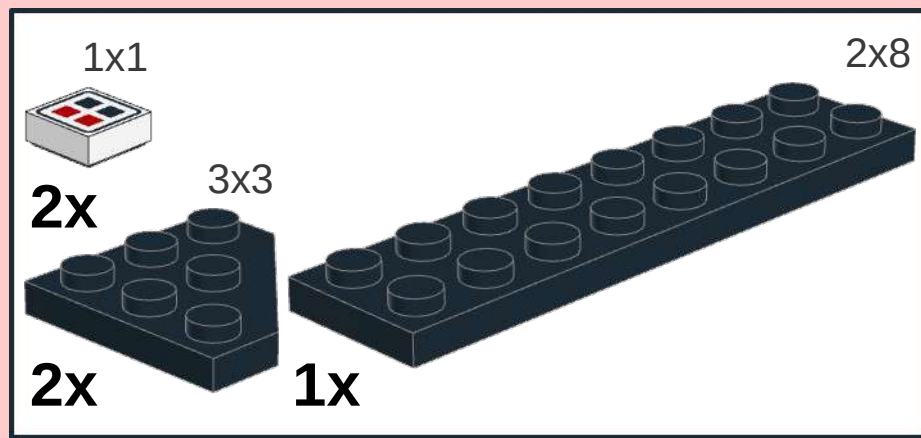
1x



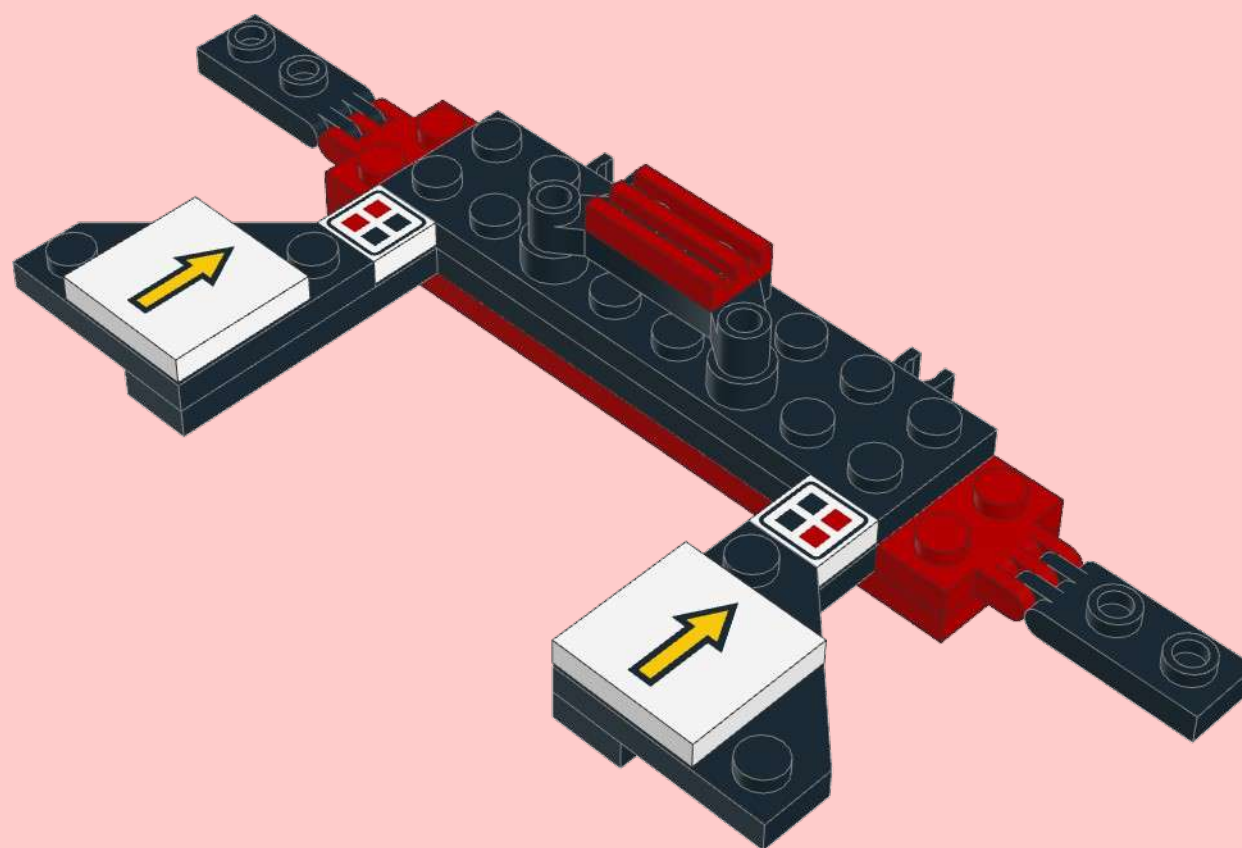
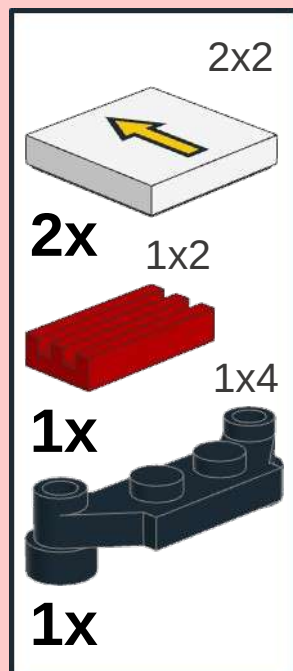
2



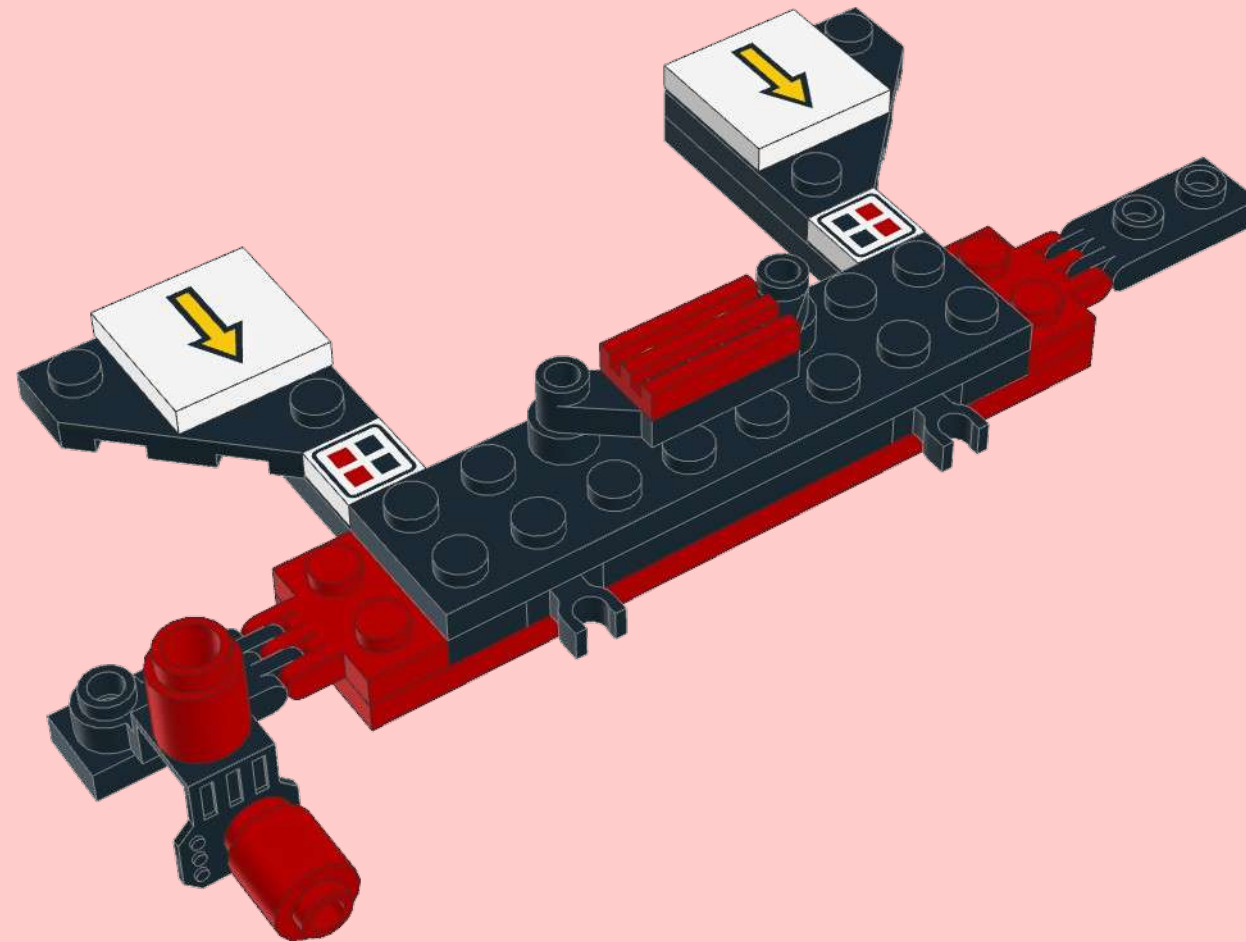
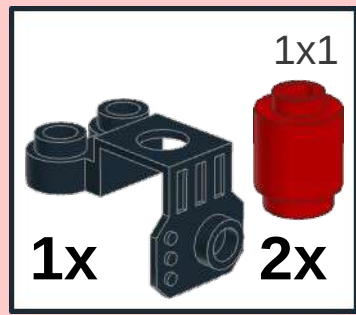
3





4

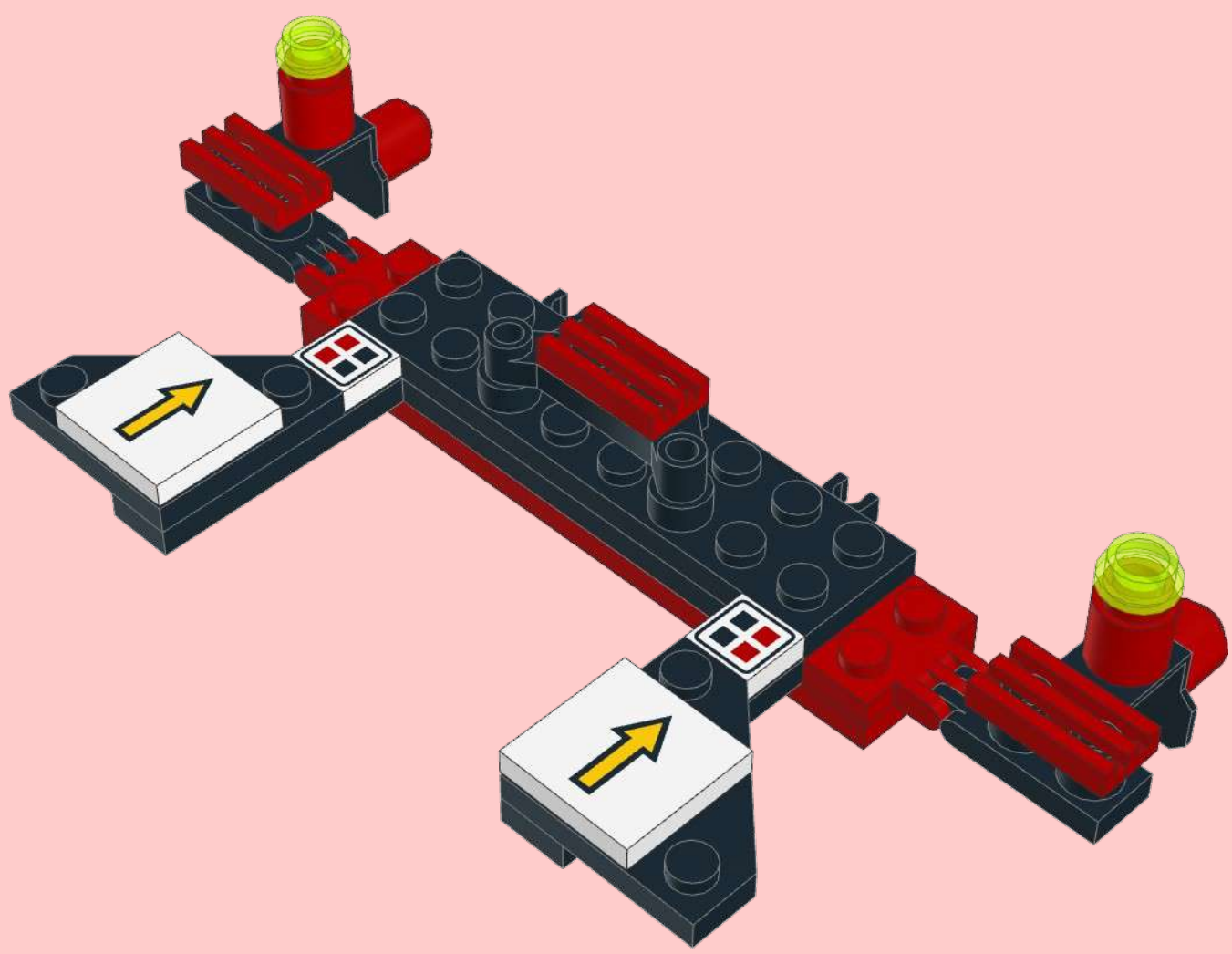


5

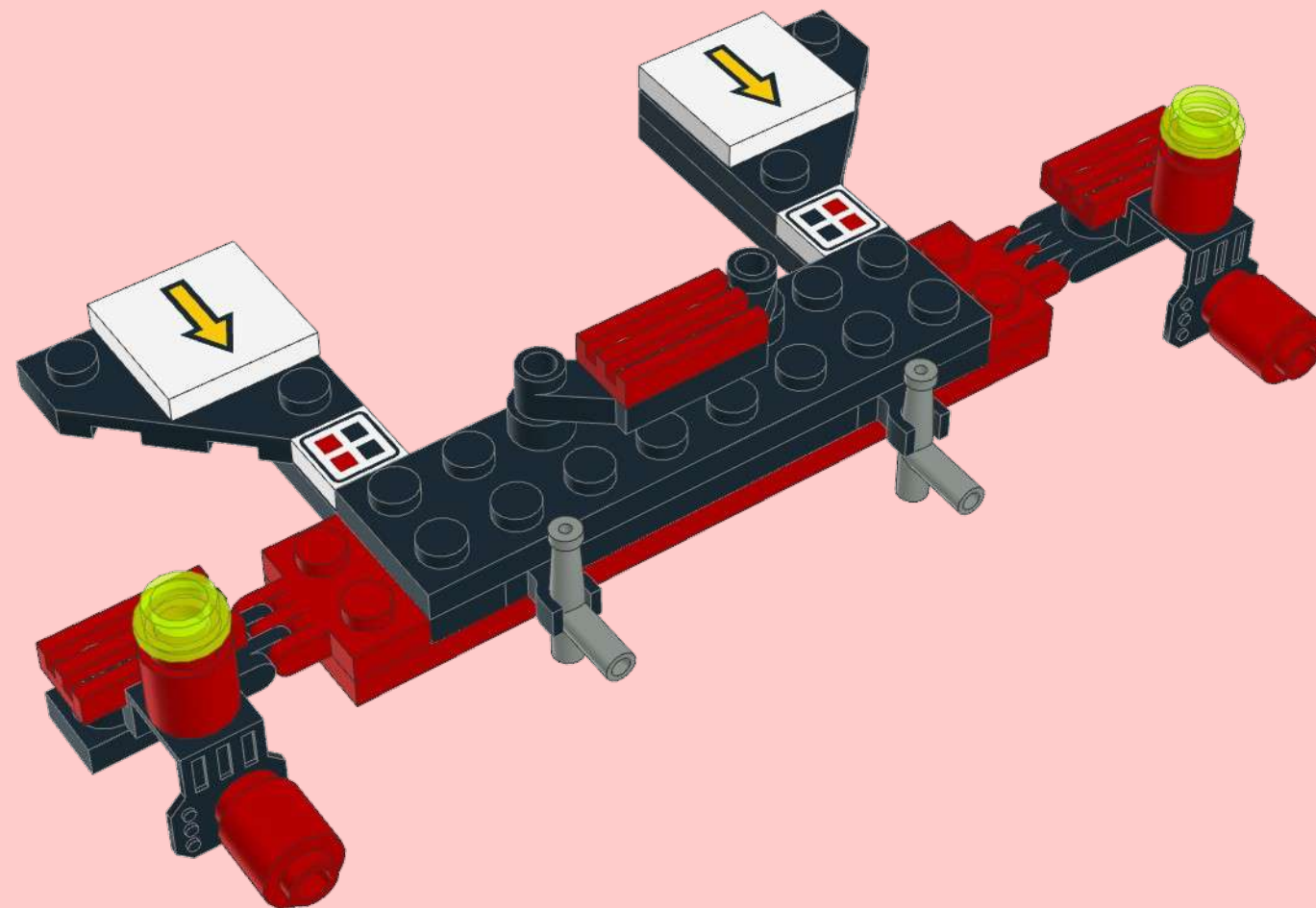


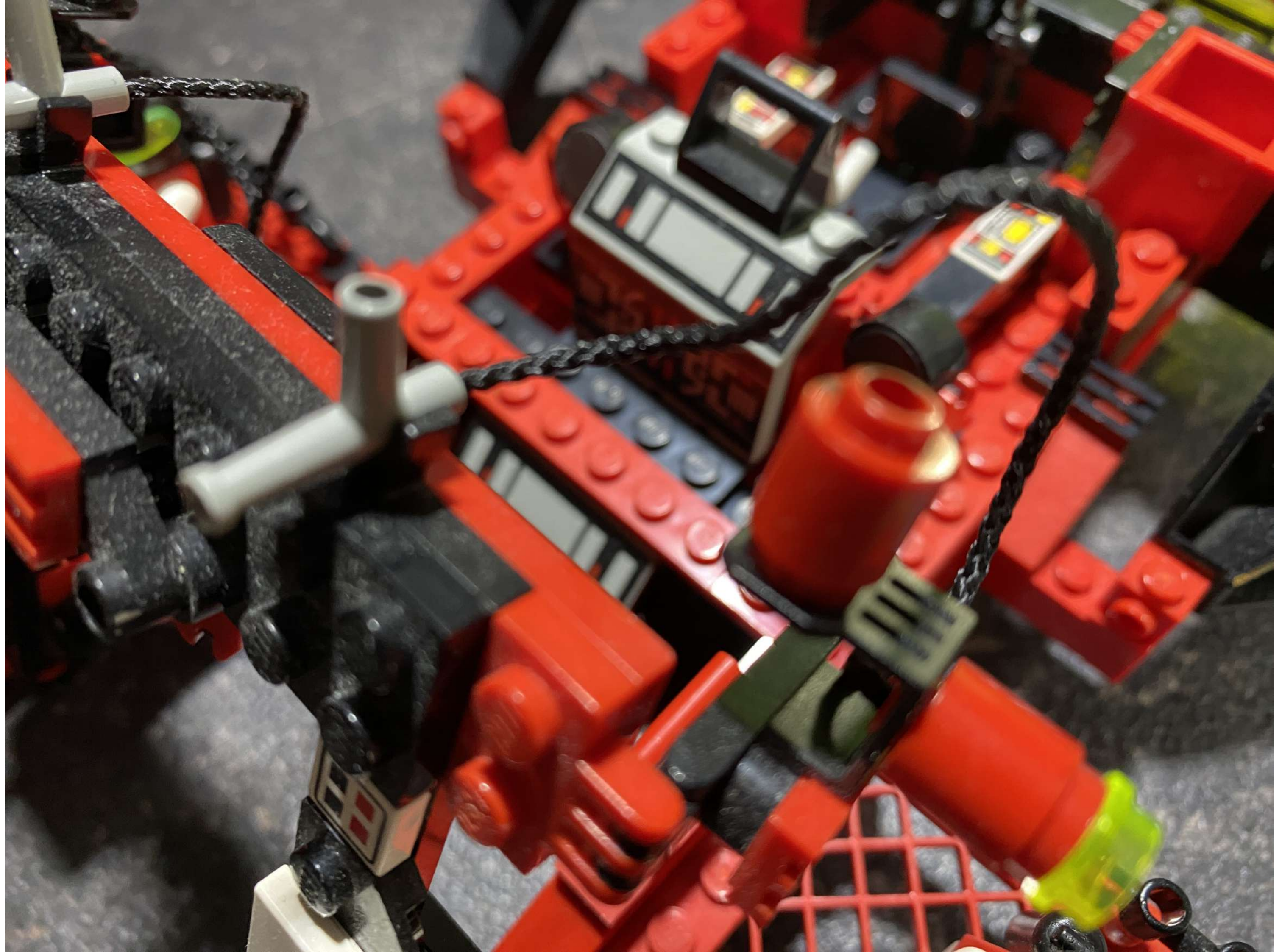
8

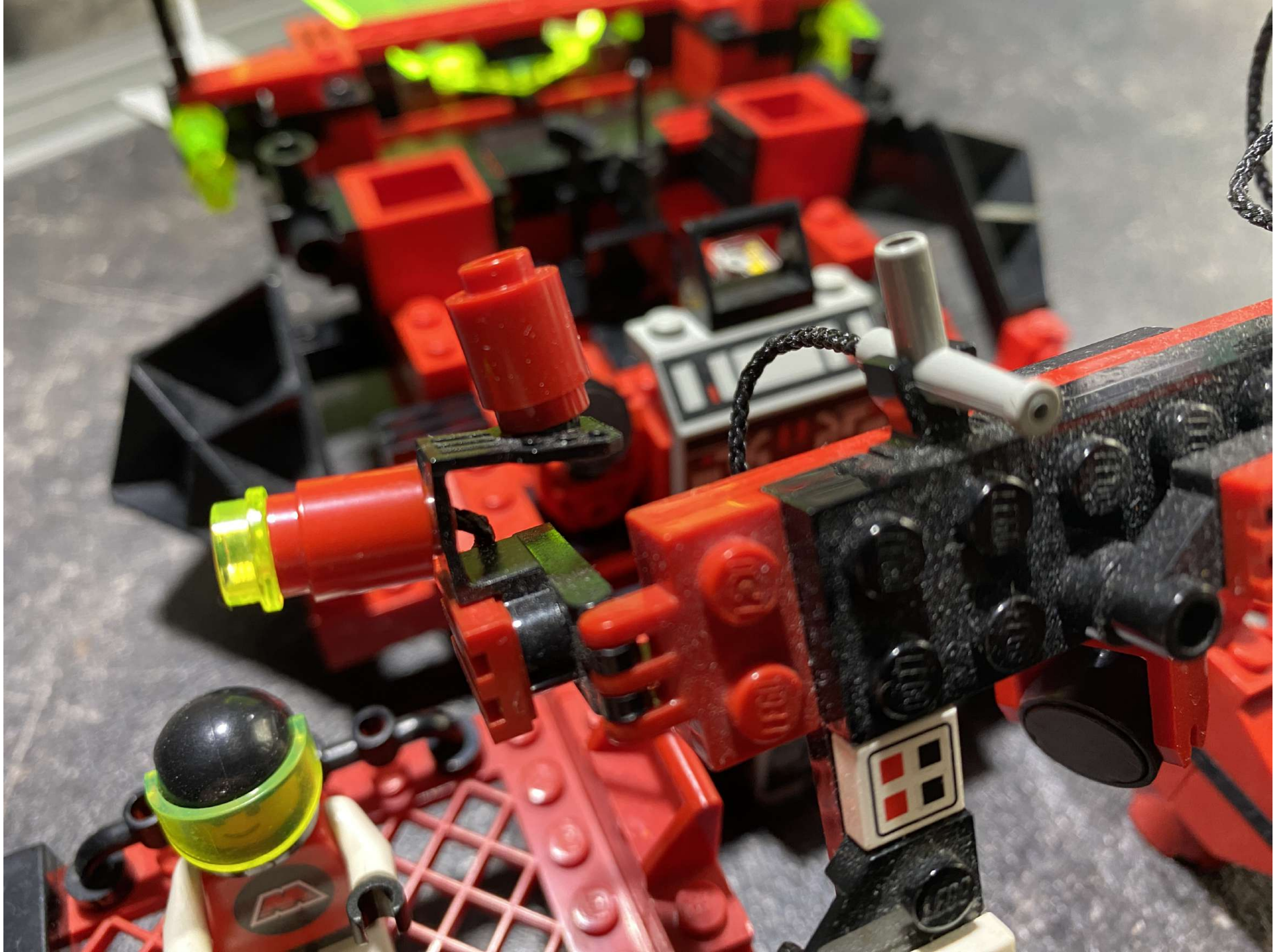
	1x2		1x1
1x		1x	



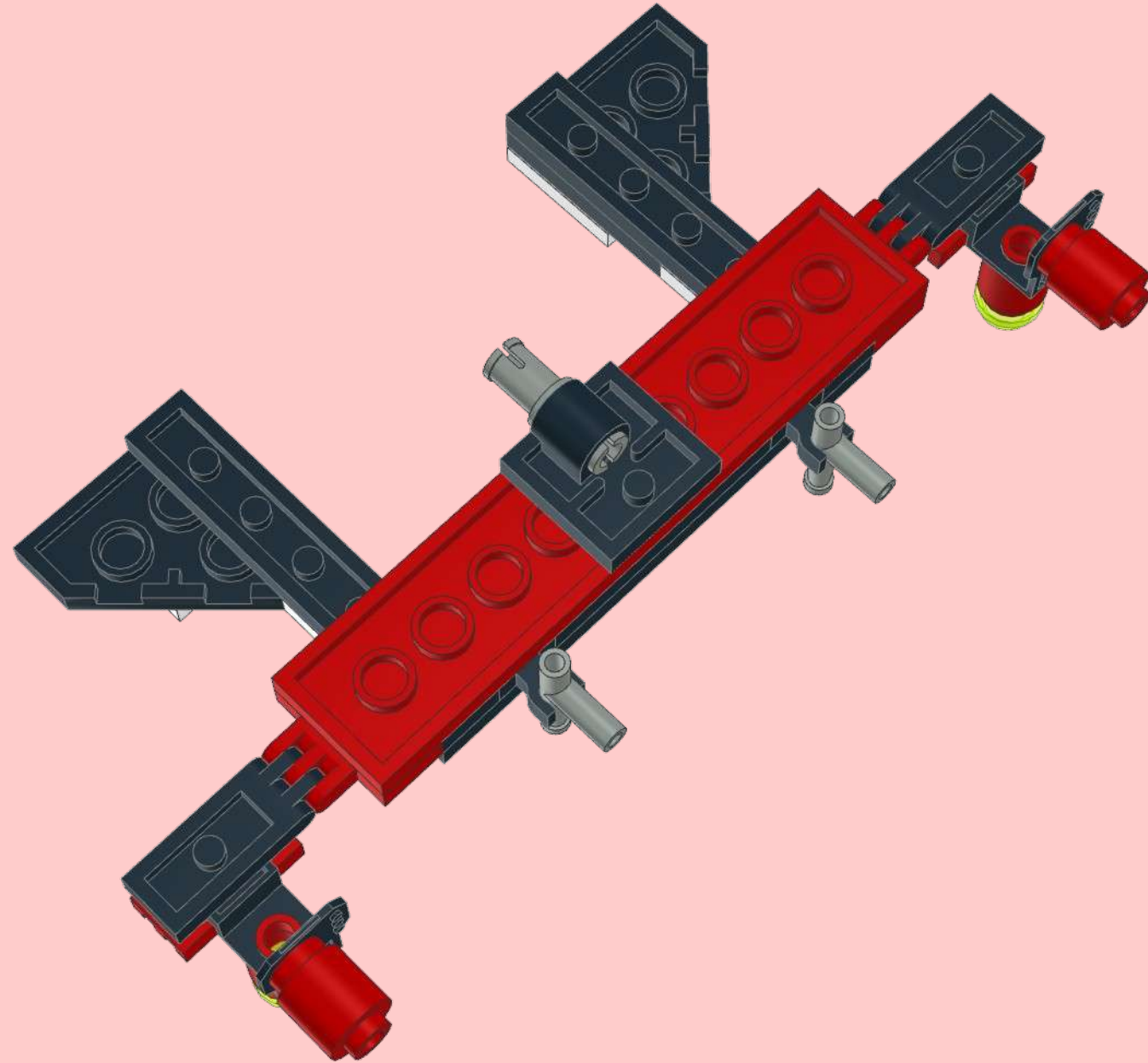
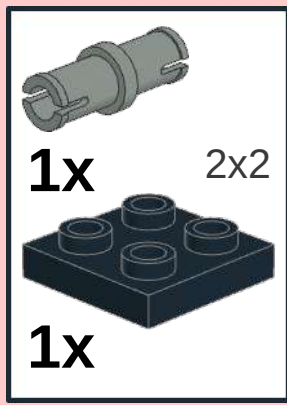
9
2x







10



11

