



DIANA



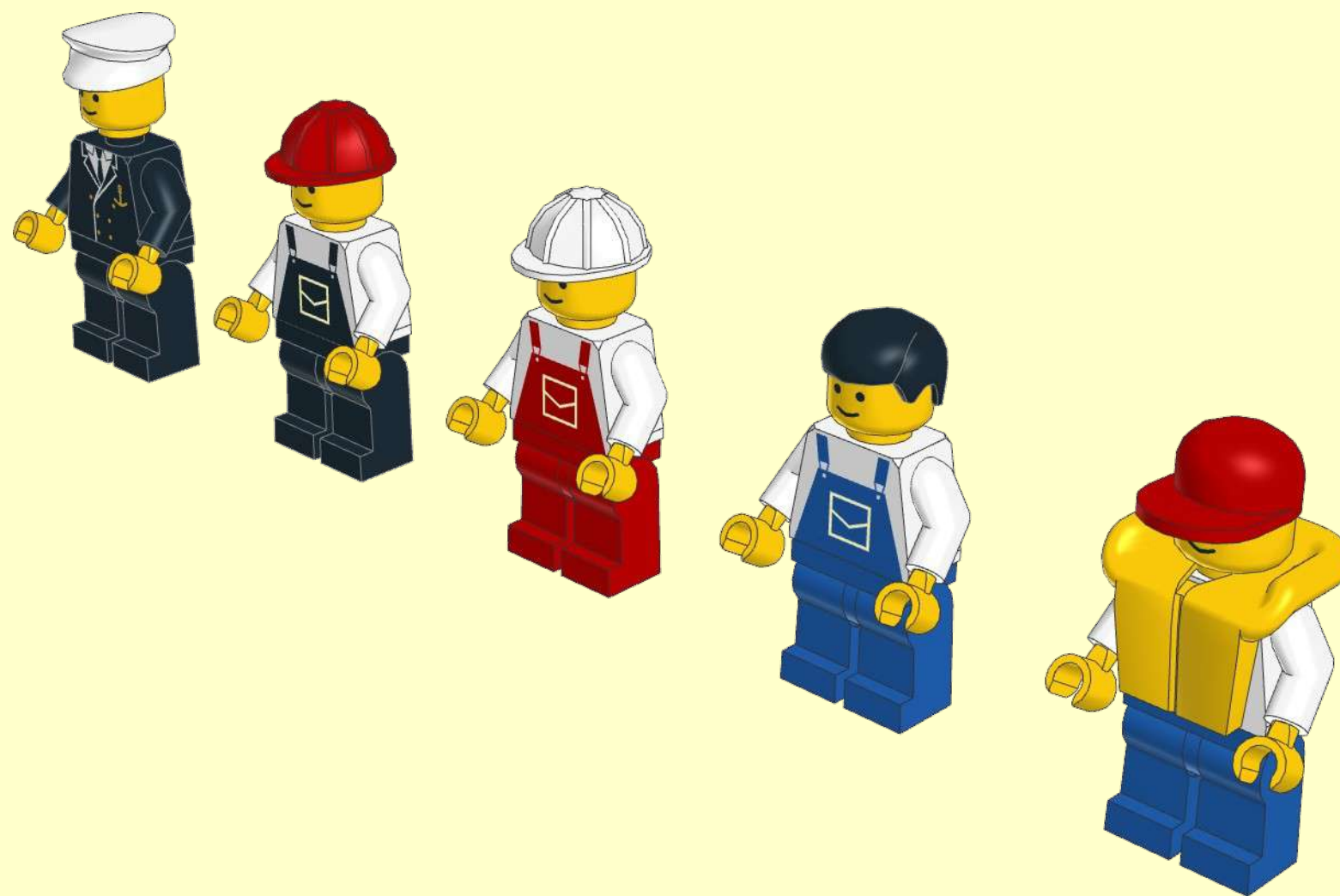
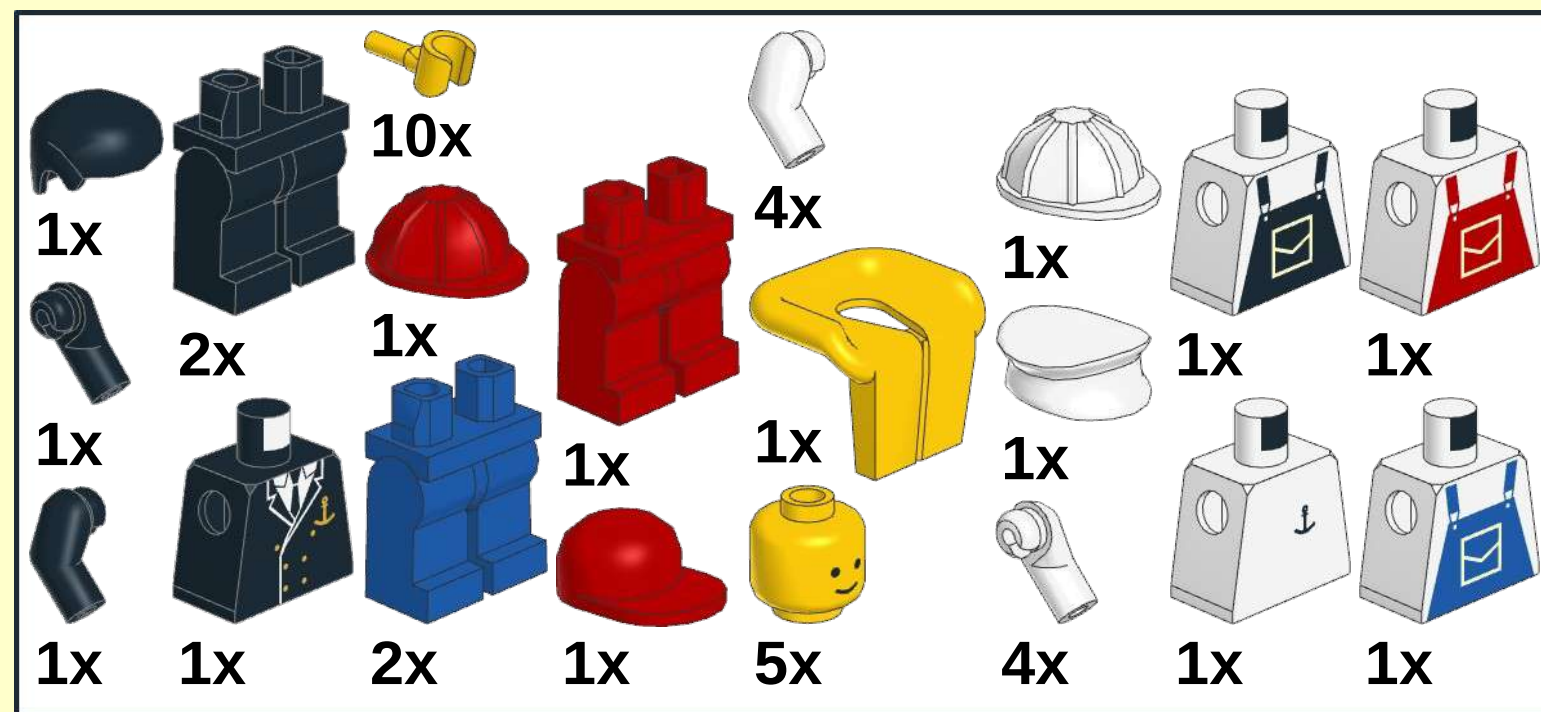
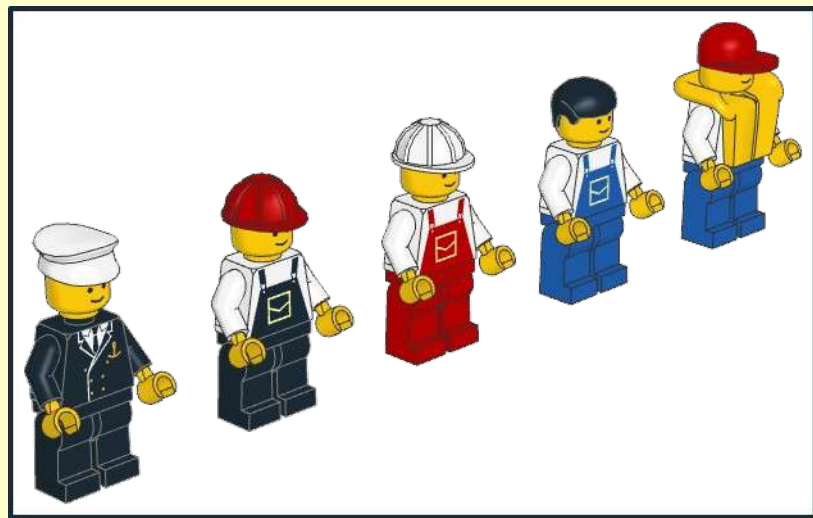
DIANA

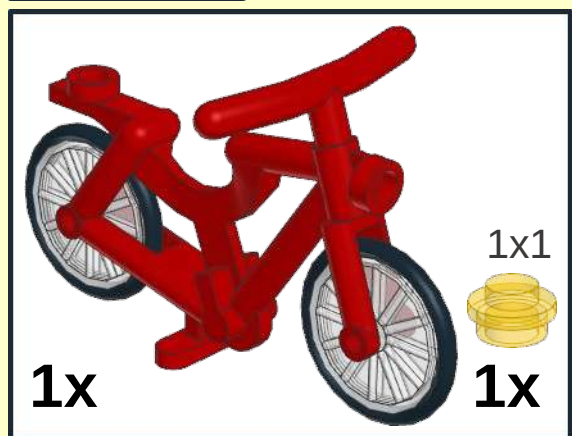




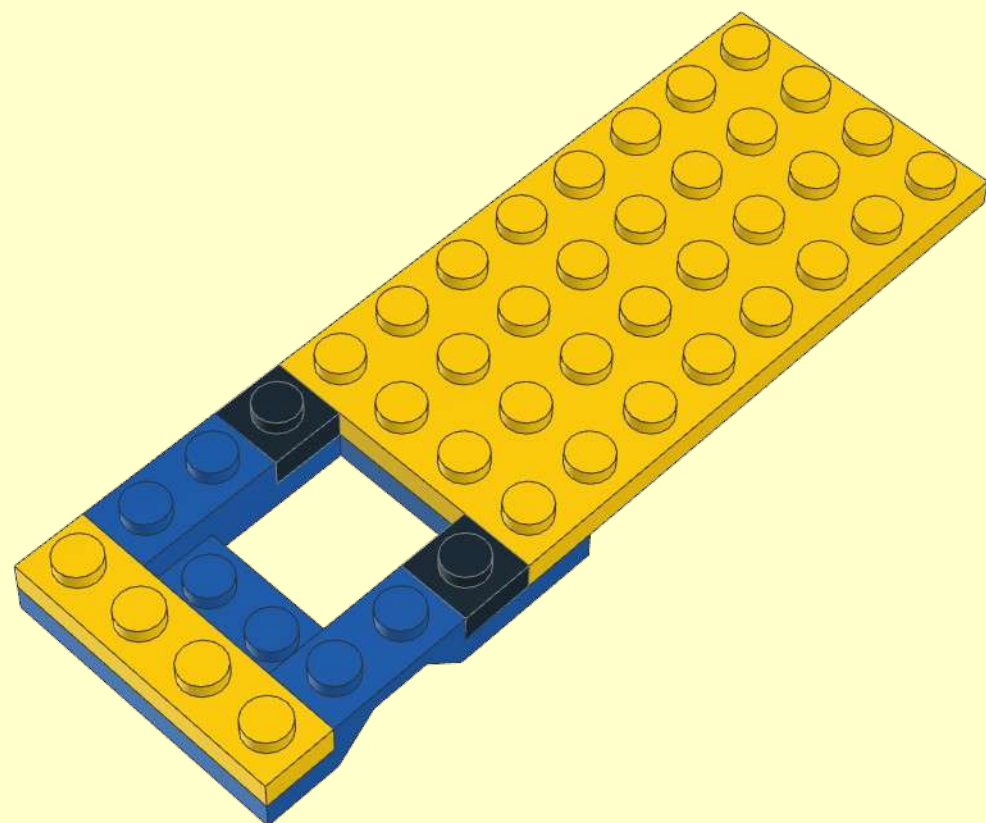
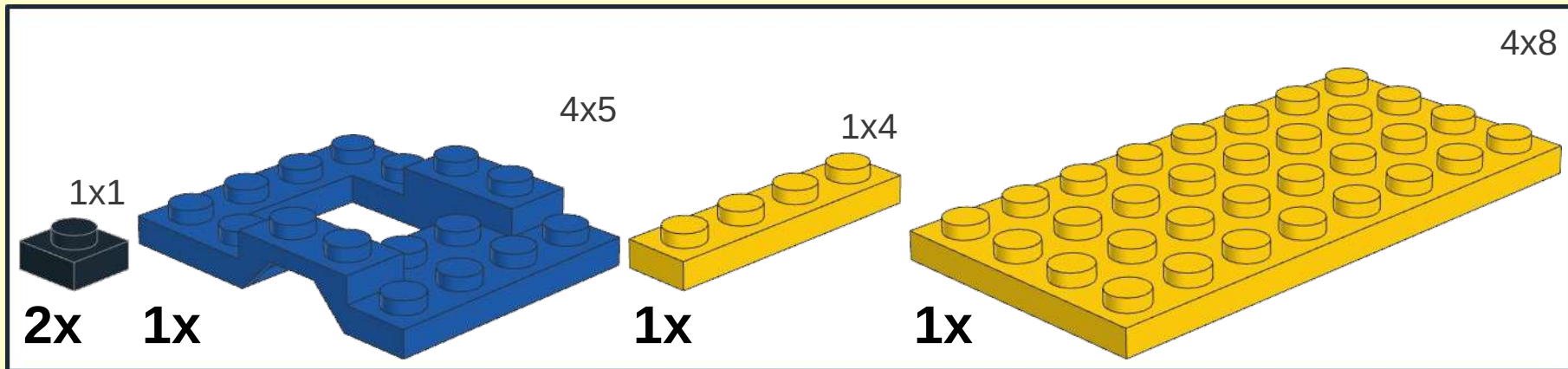
DIANA



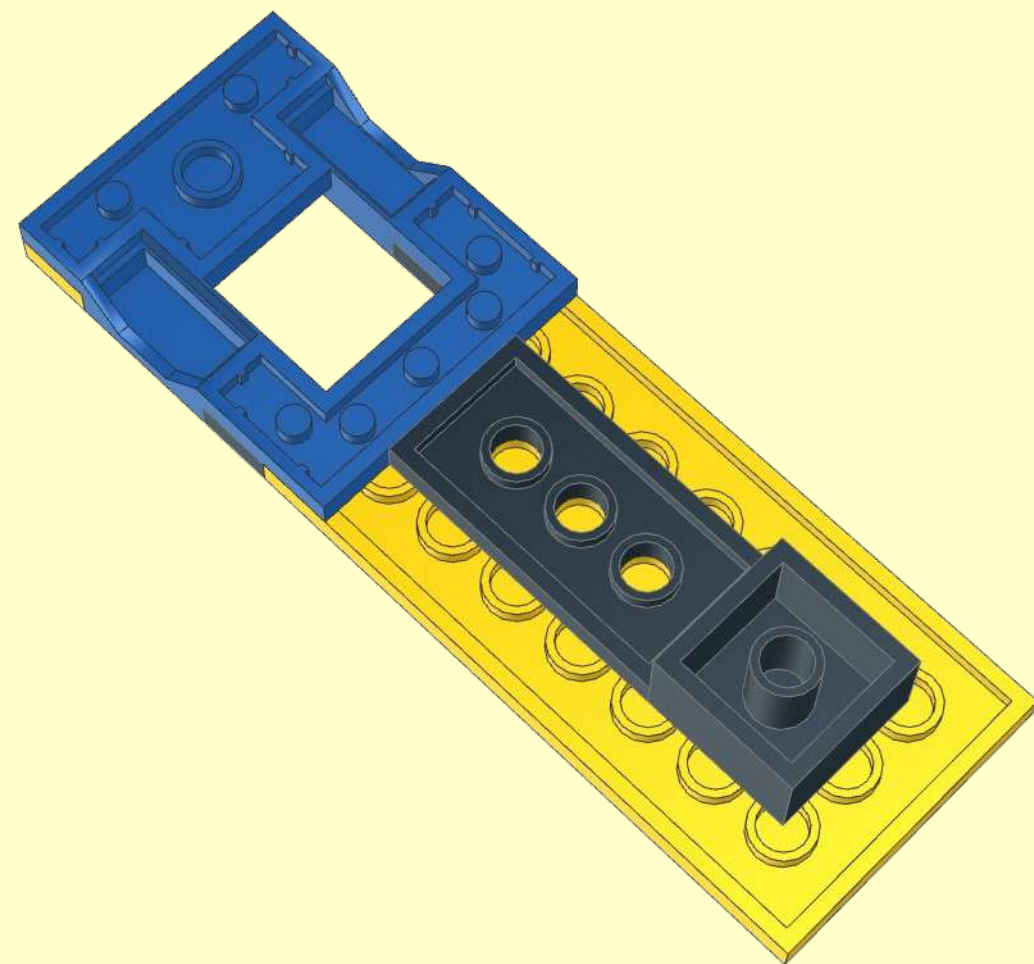
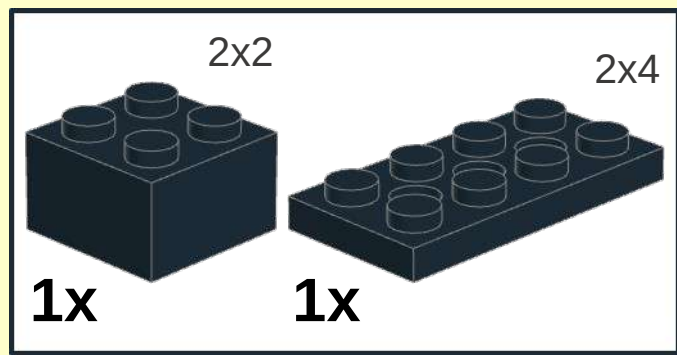




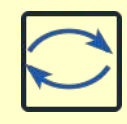
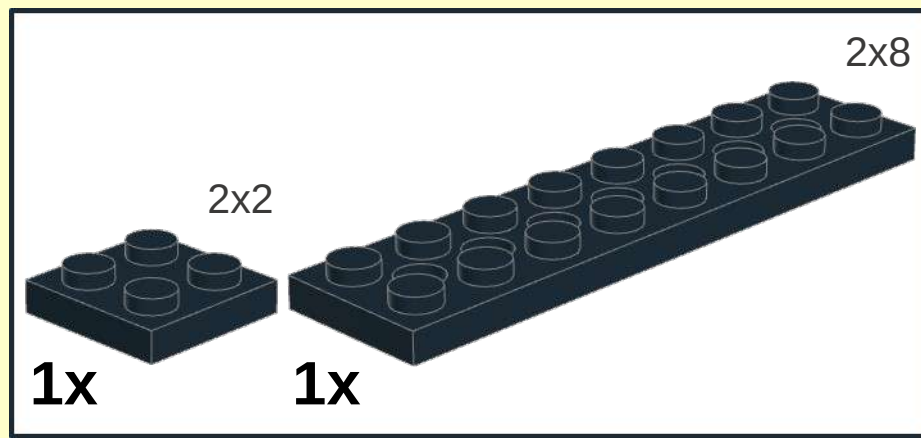
1



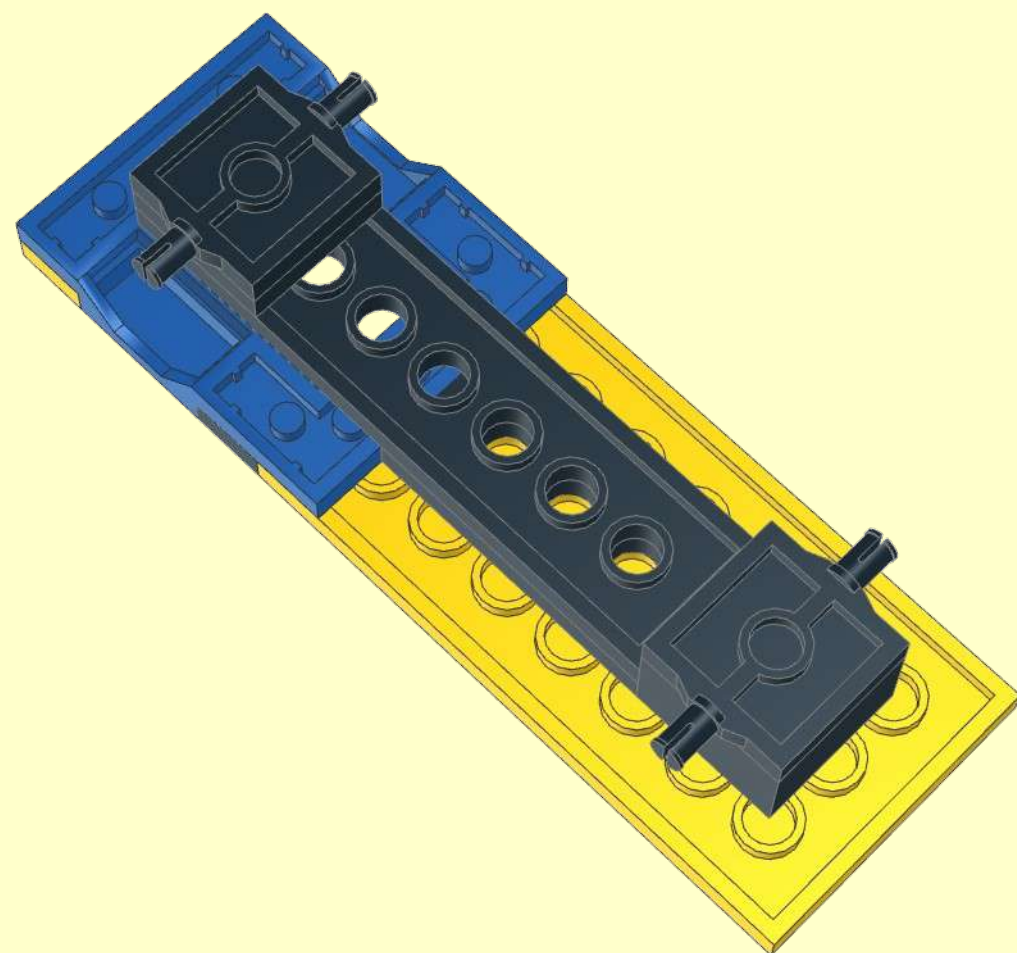
2



3



4



5

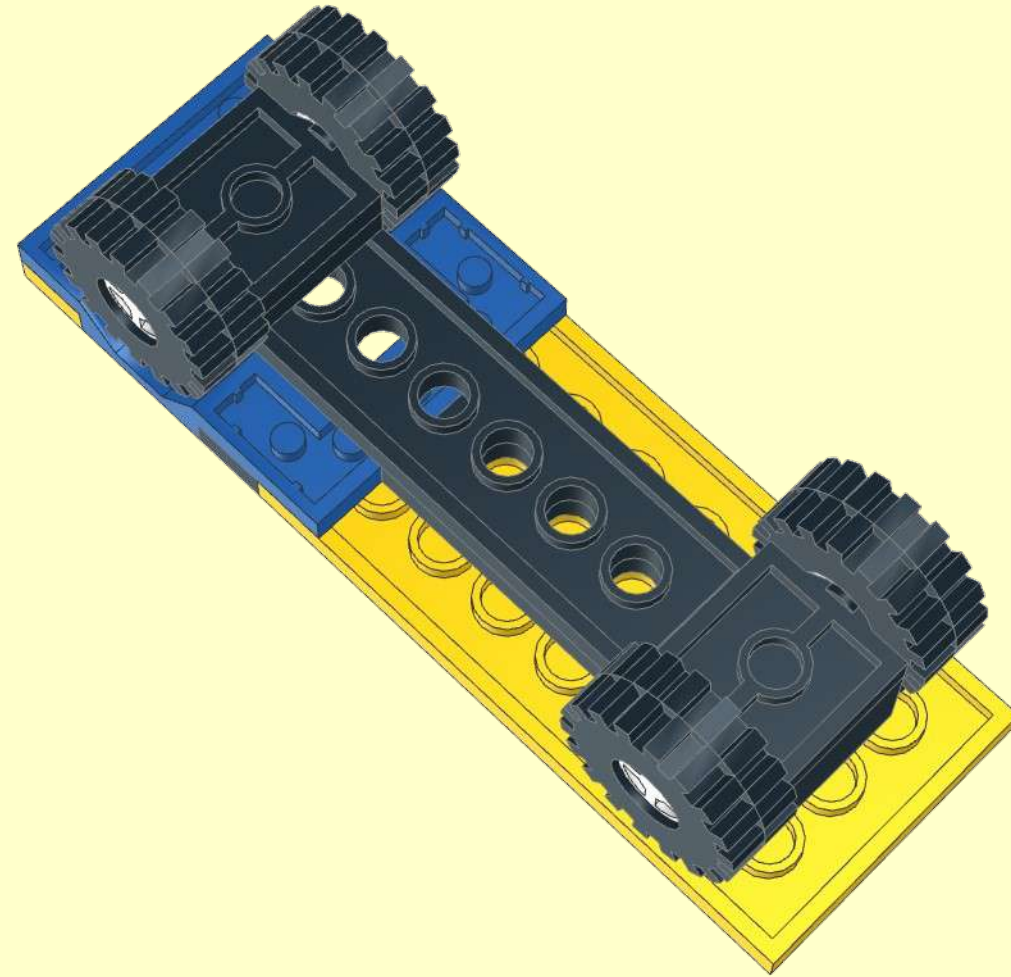
6.4x8



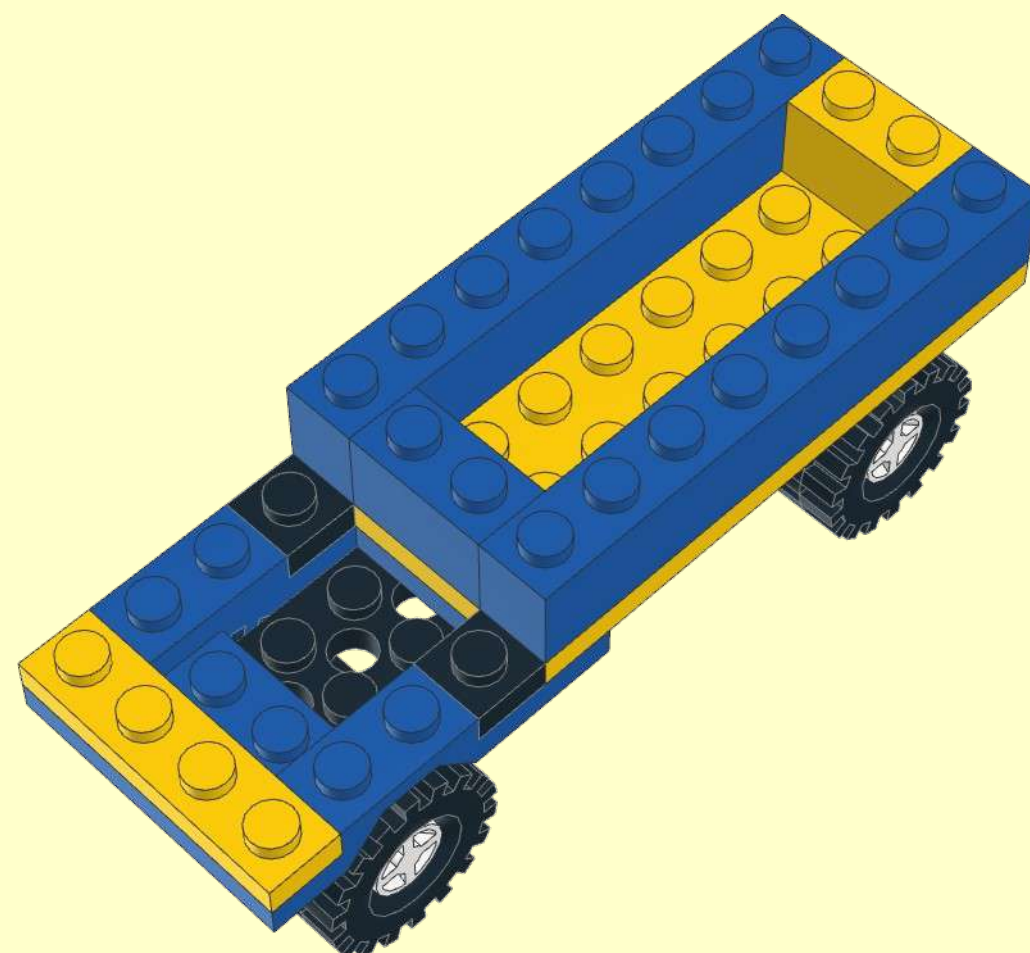
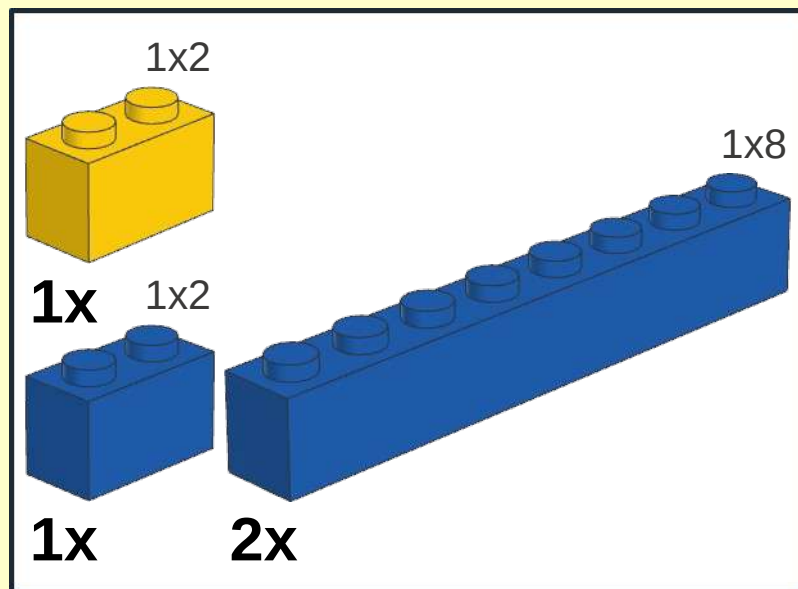
4x 8/75x8



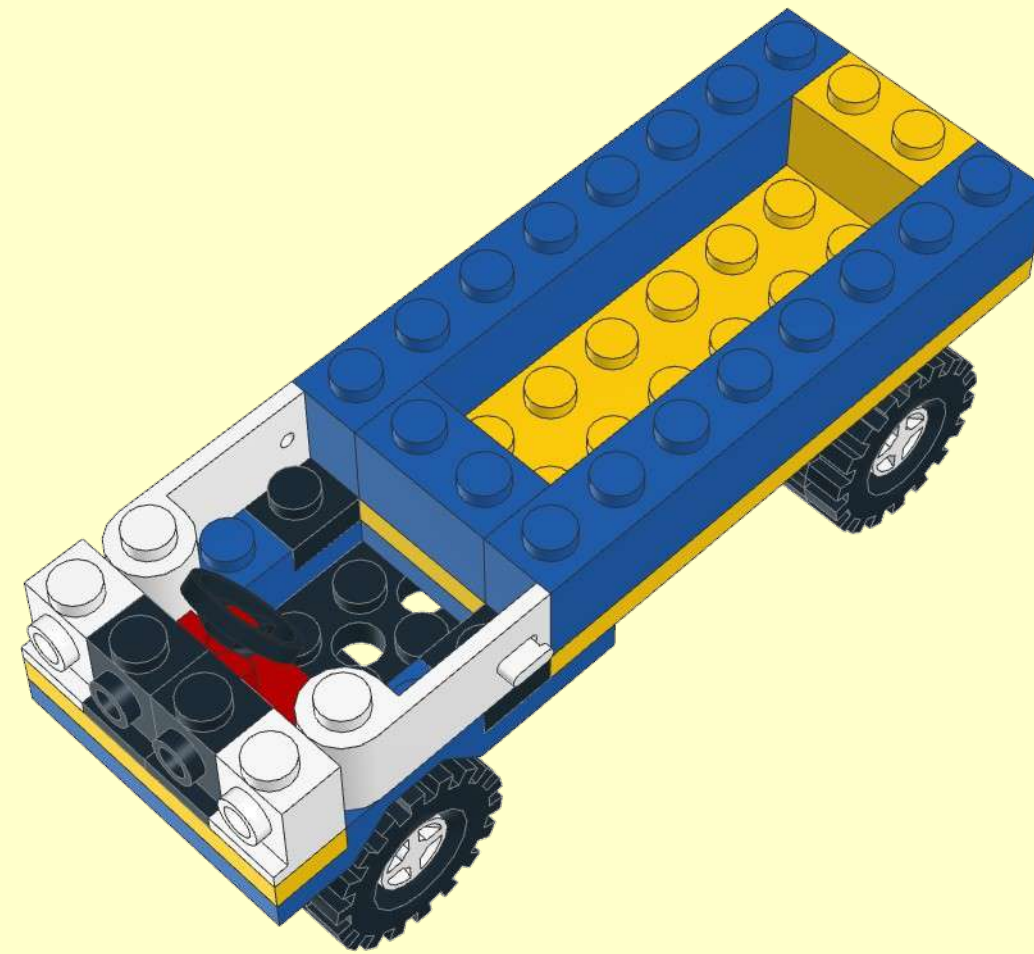
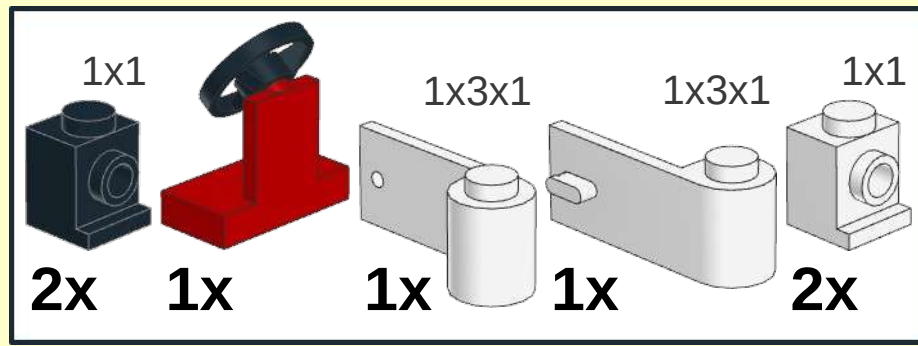
4x



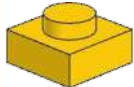

6

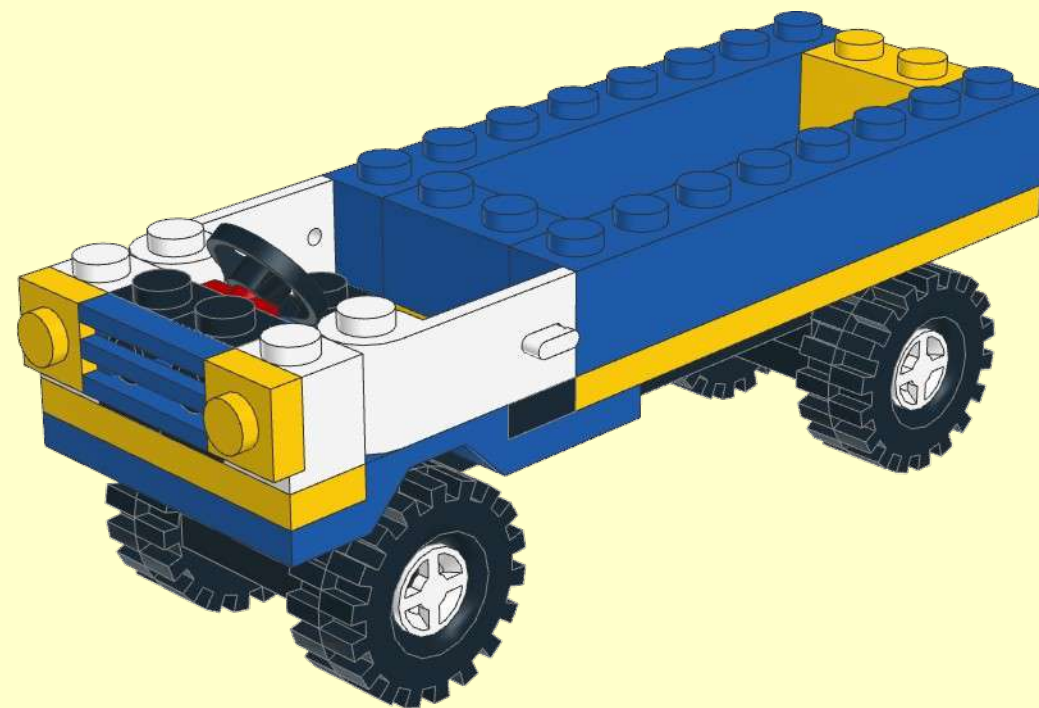


7

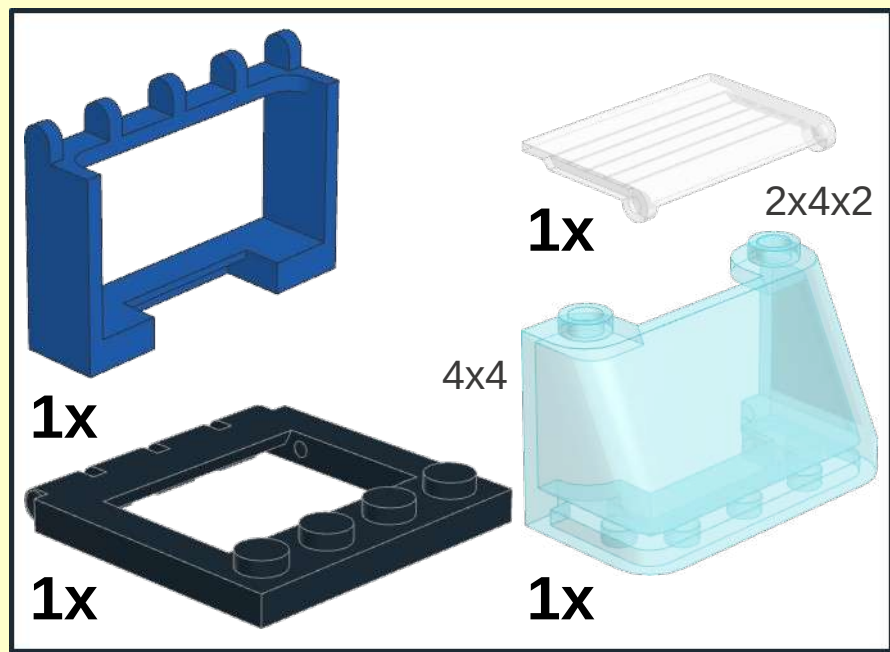


8

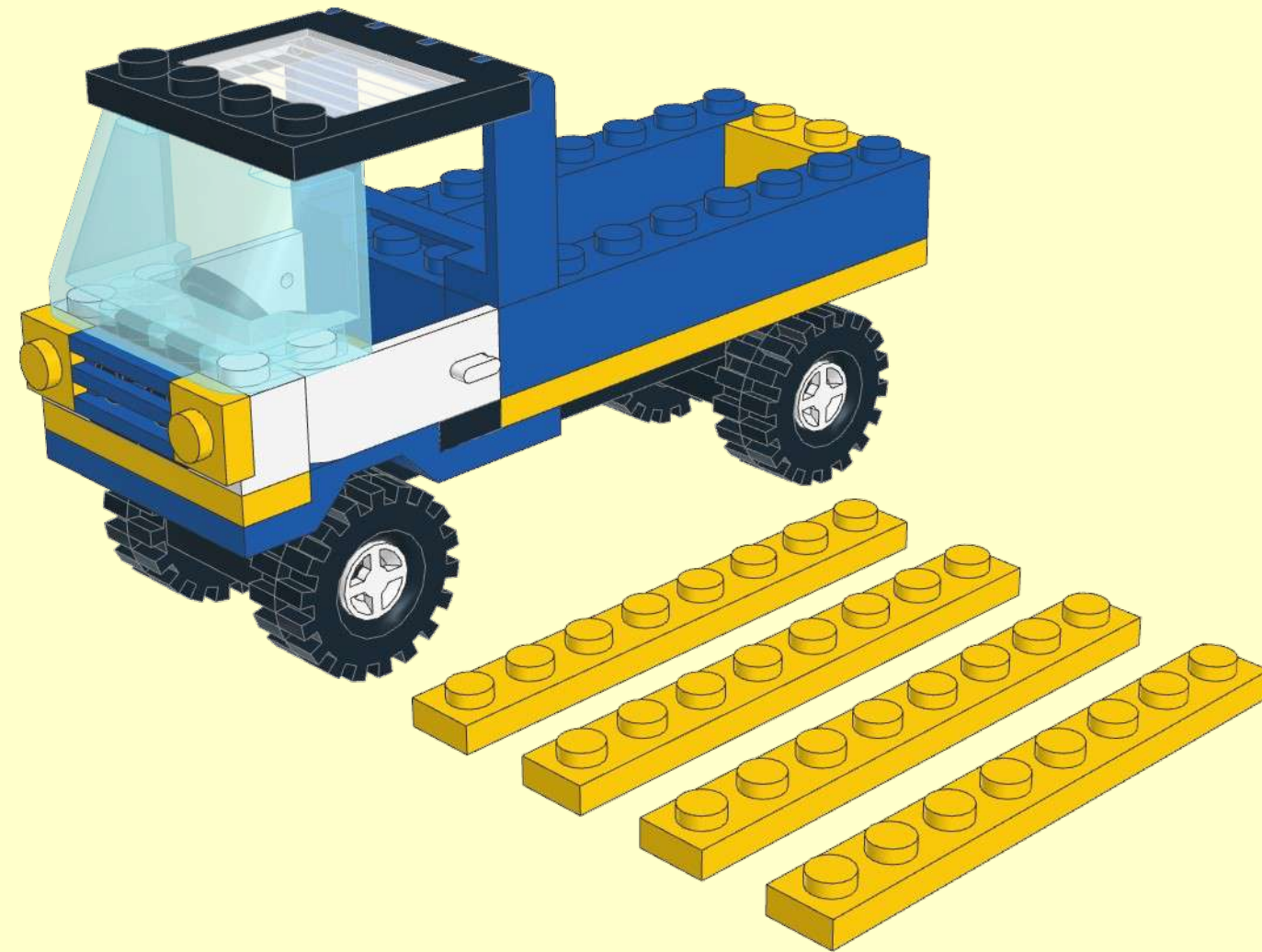
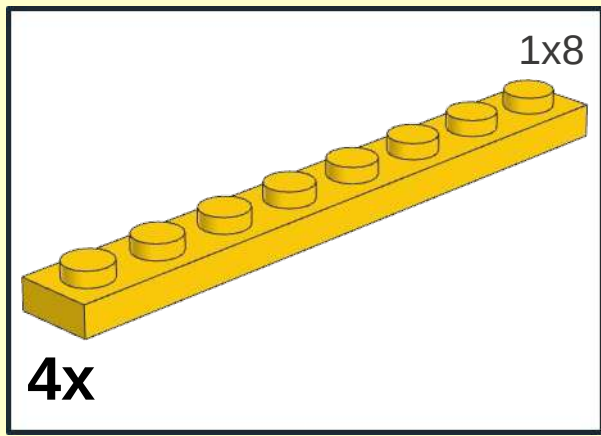
1x1

2x 1x2

1x



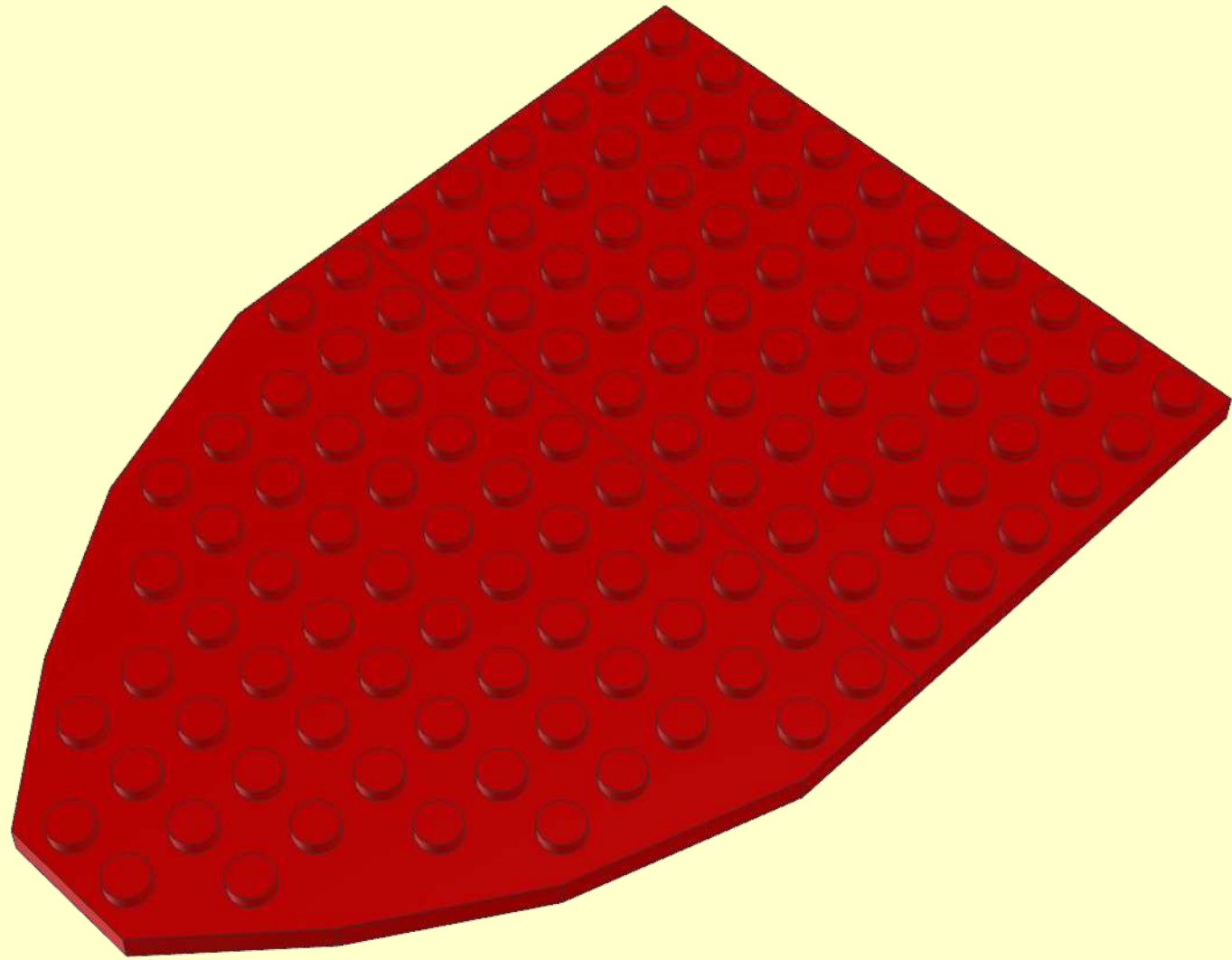
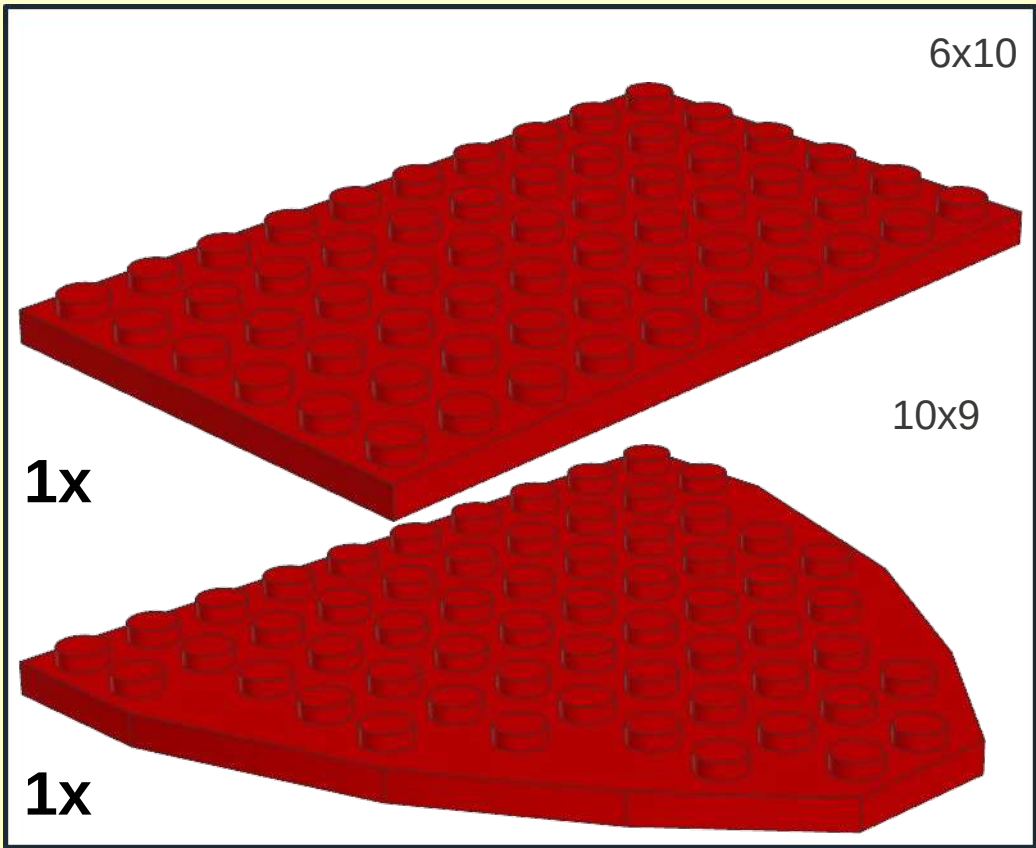
9



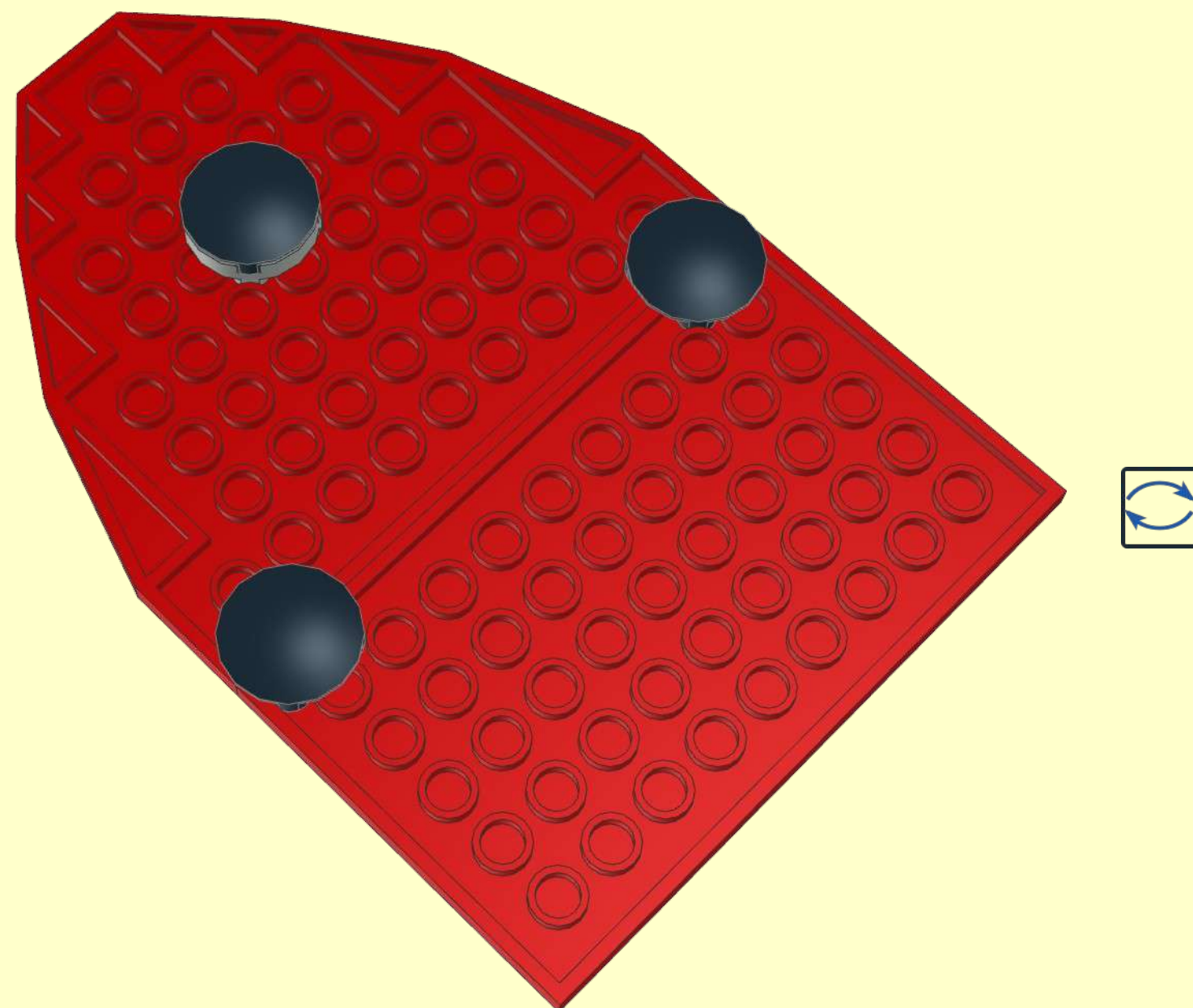
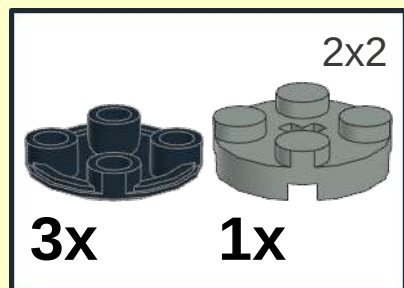
10



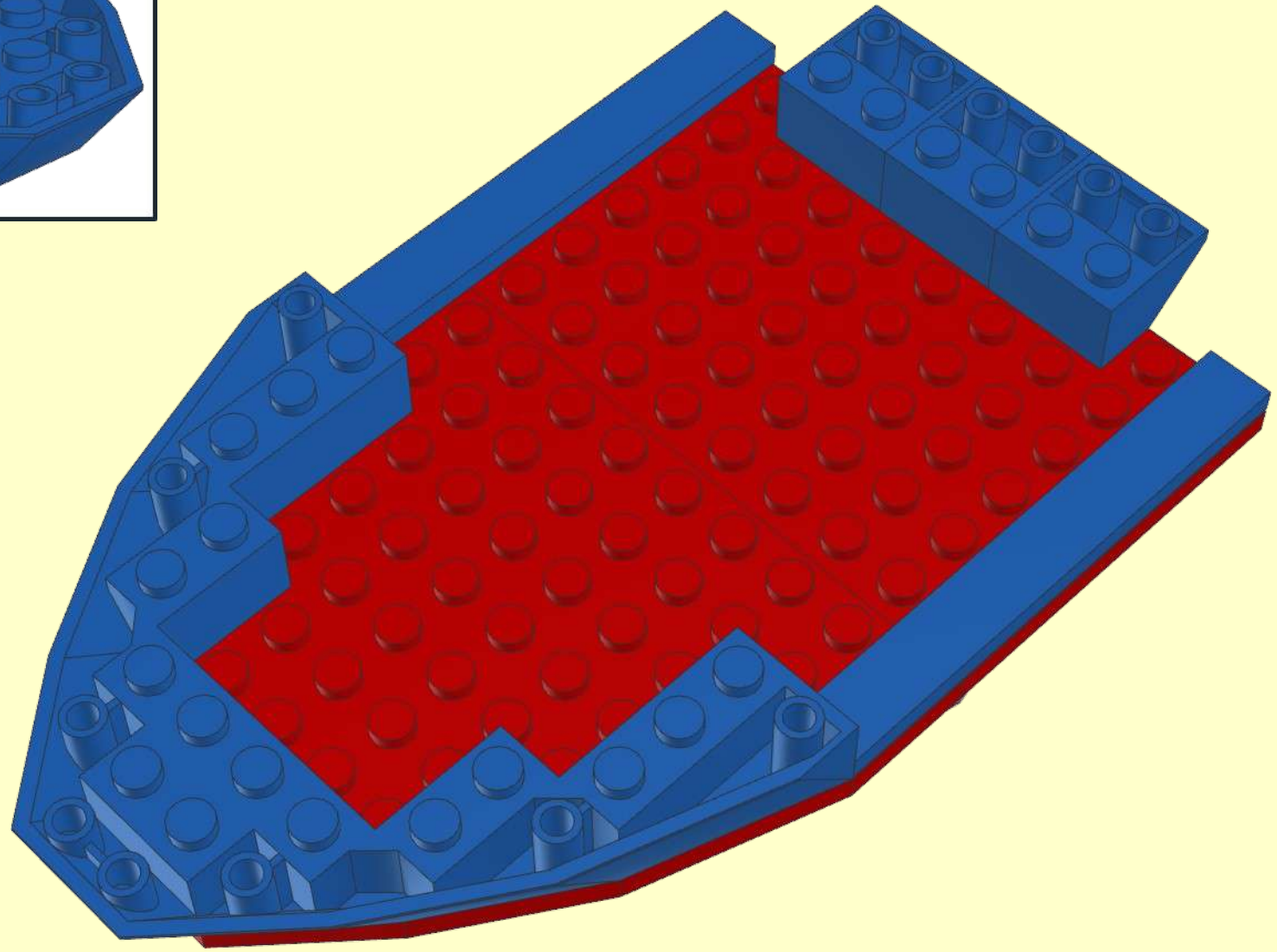
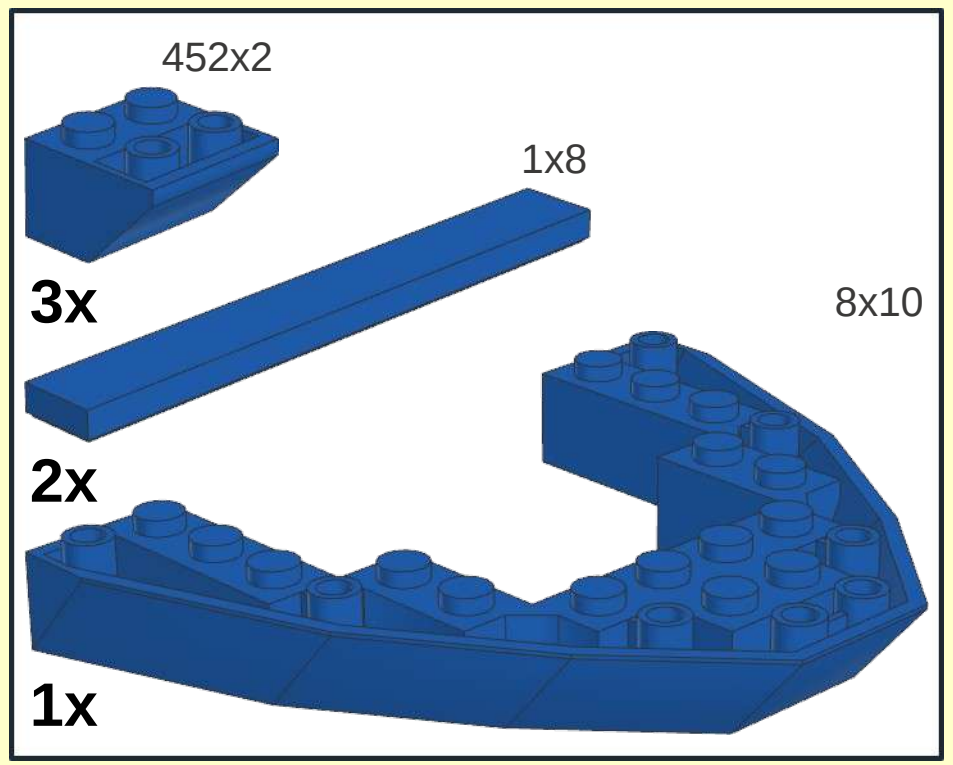
1



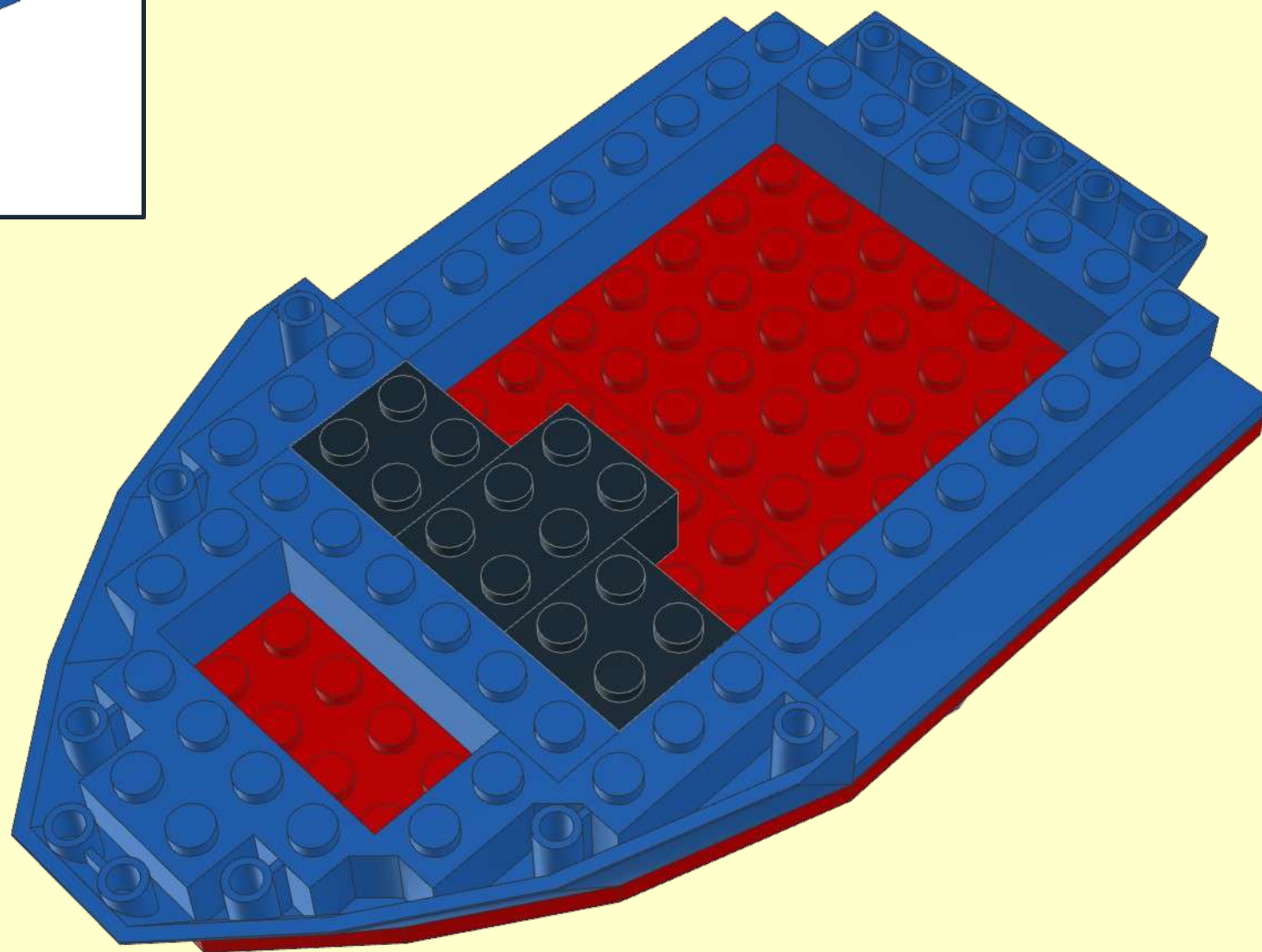
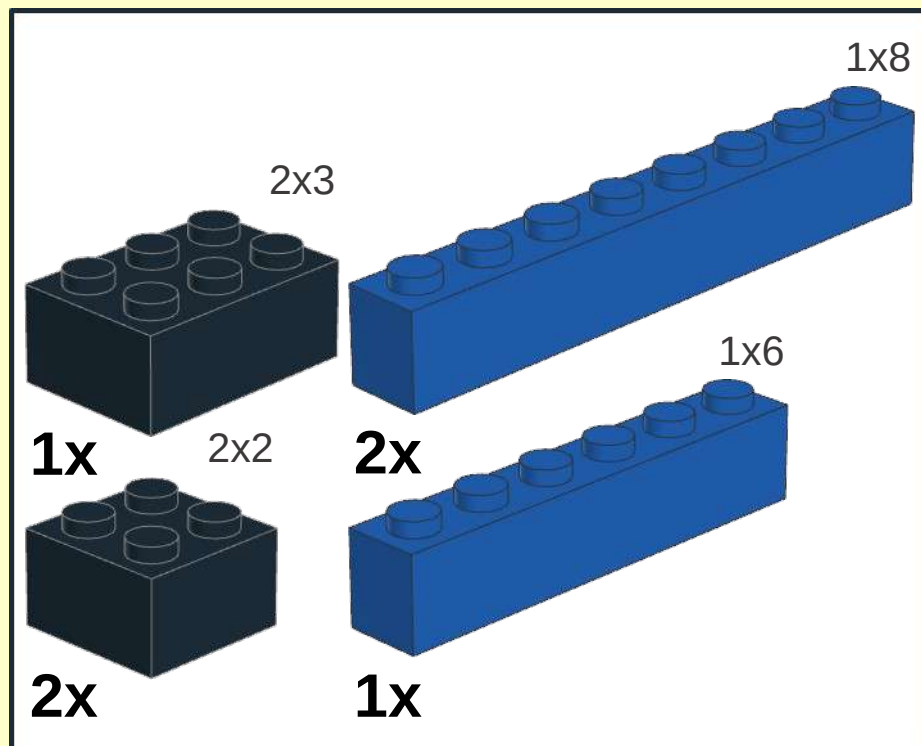
2



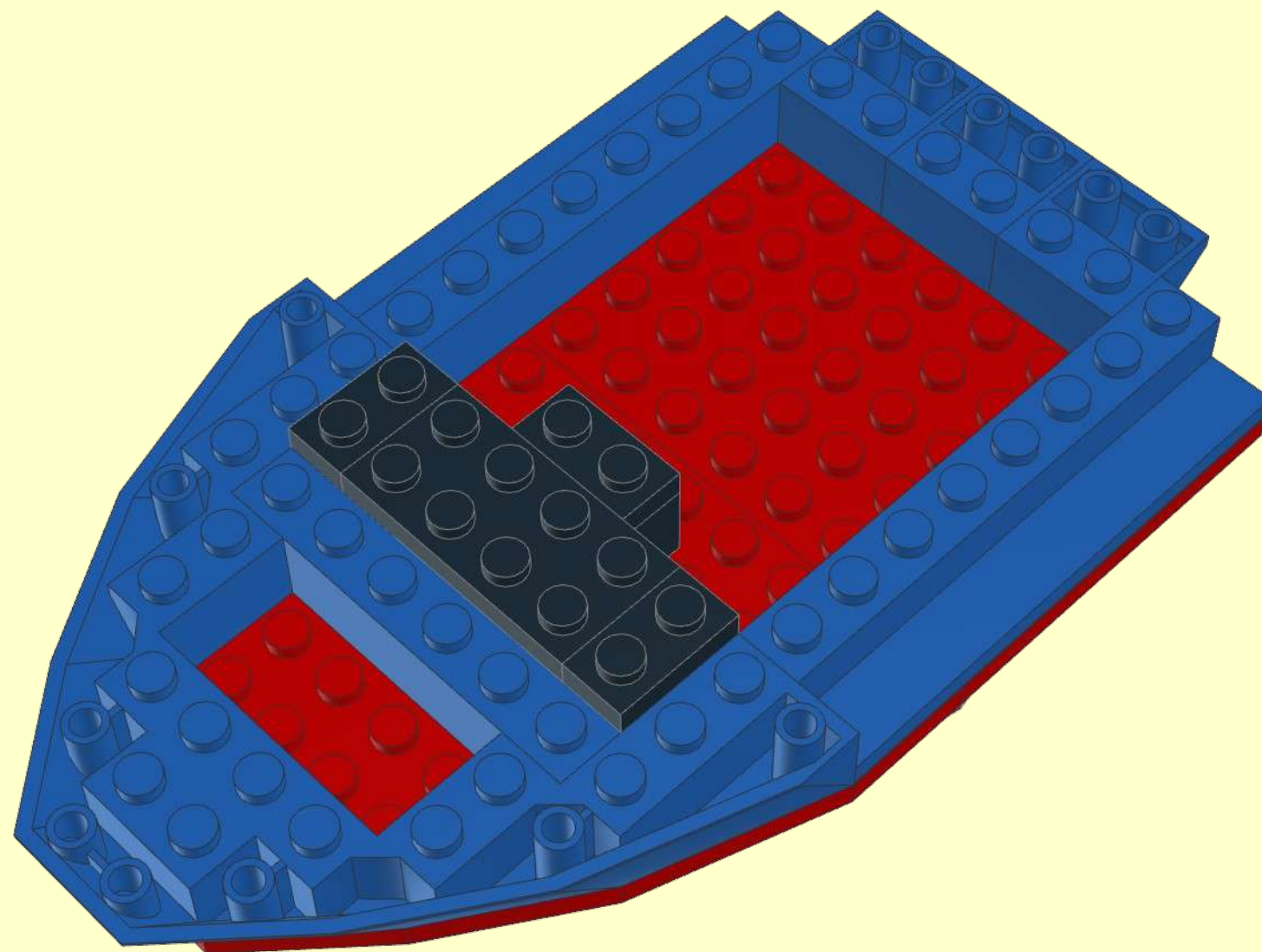
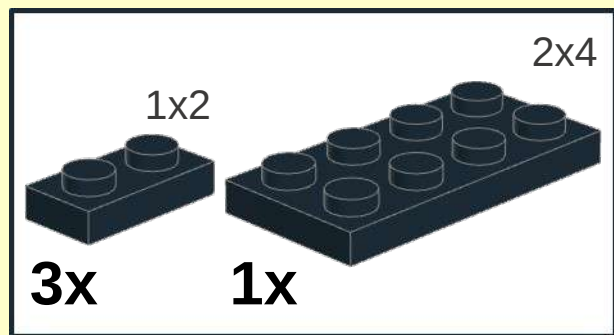
3



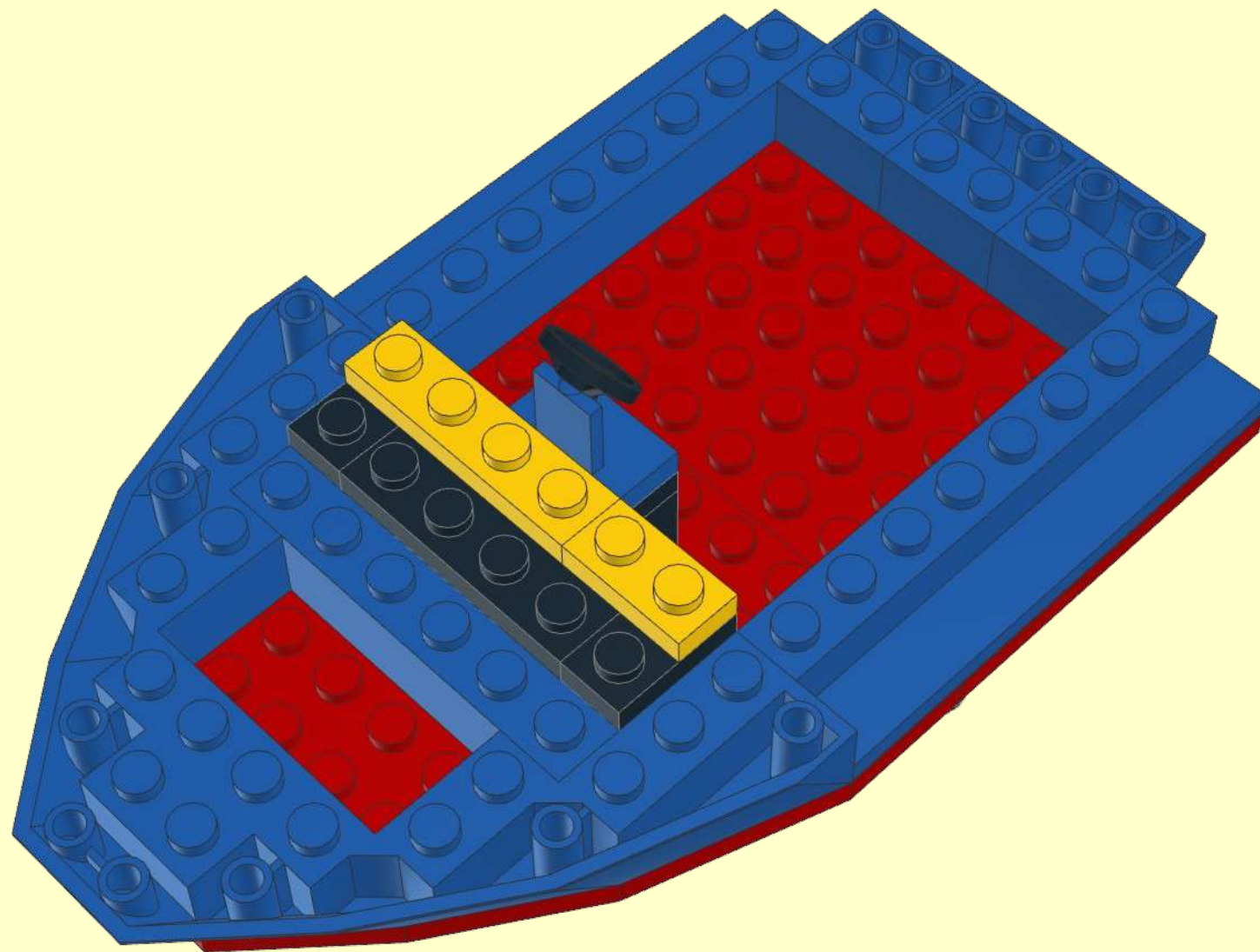
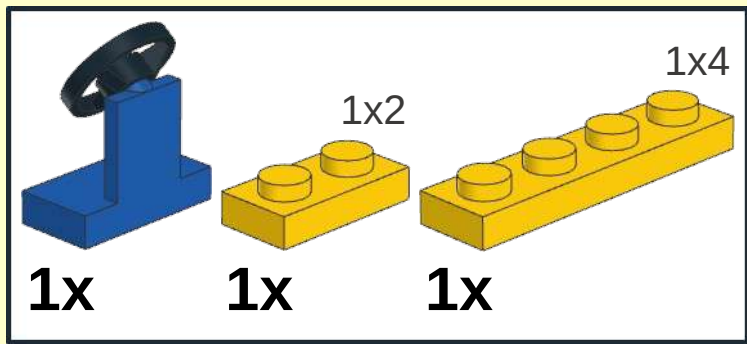
4



5

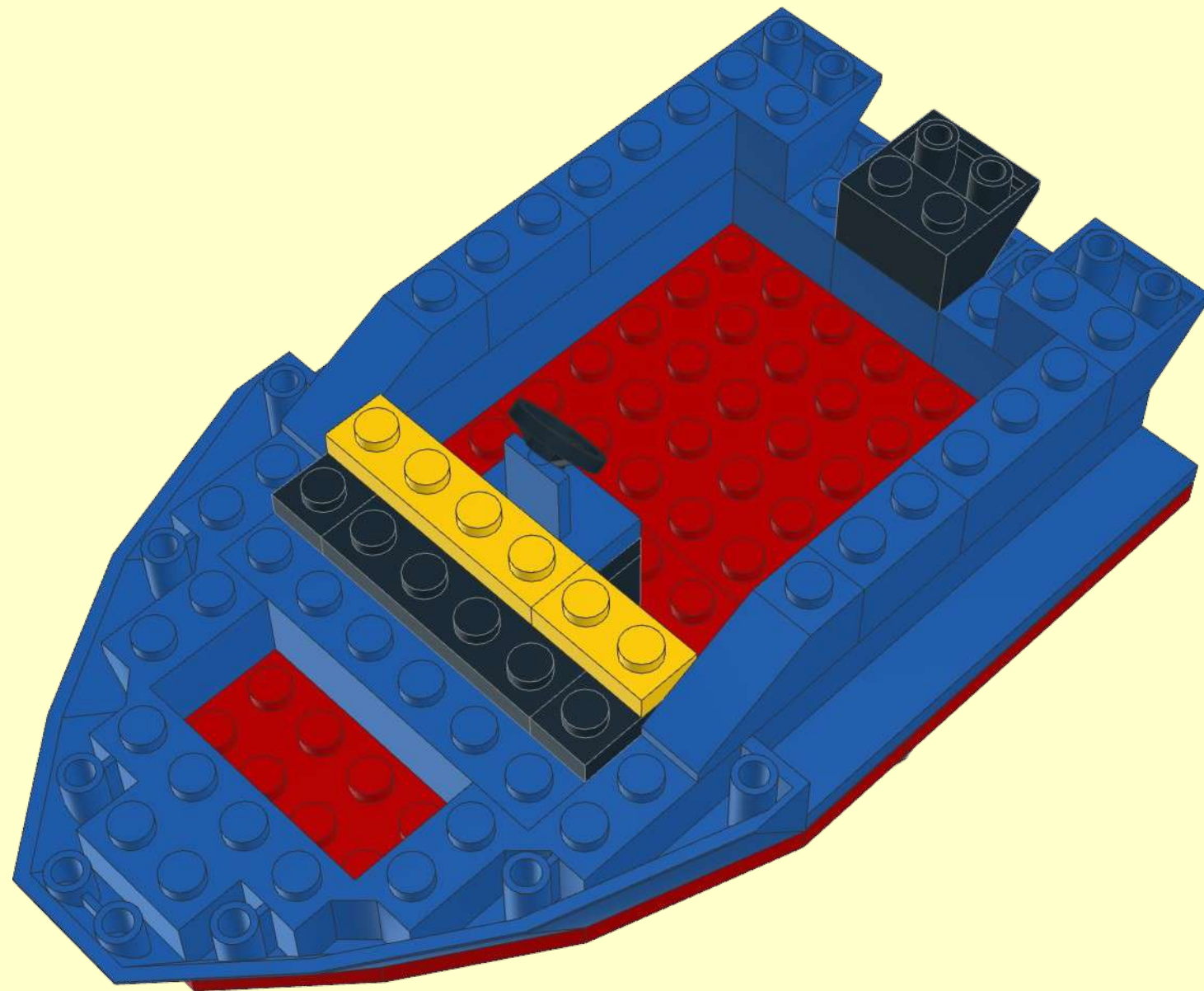


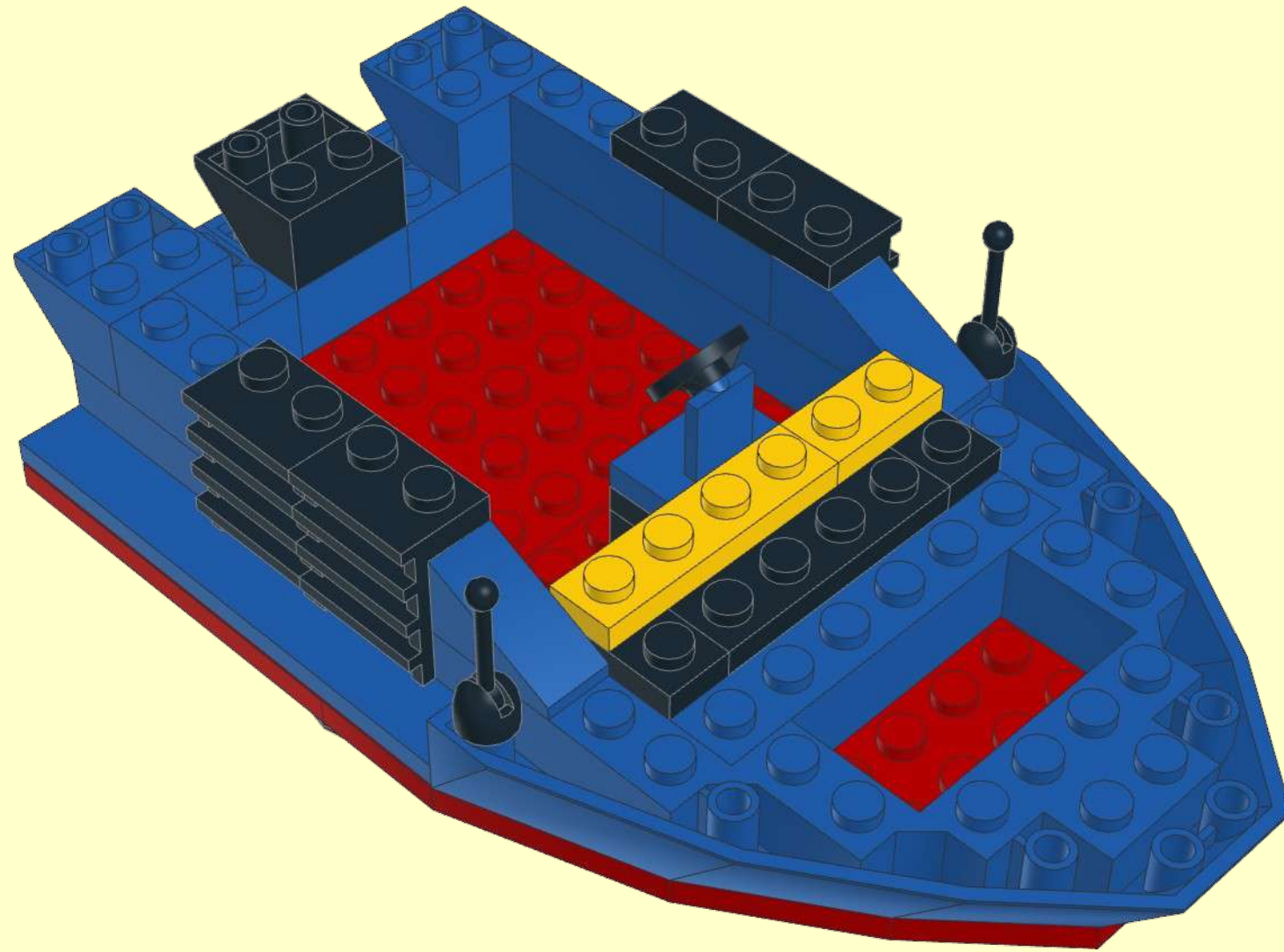
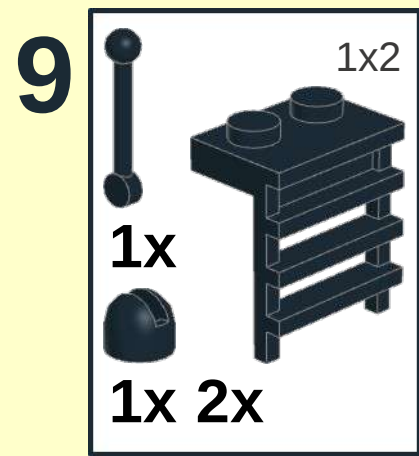
6



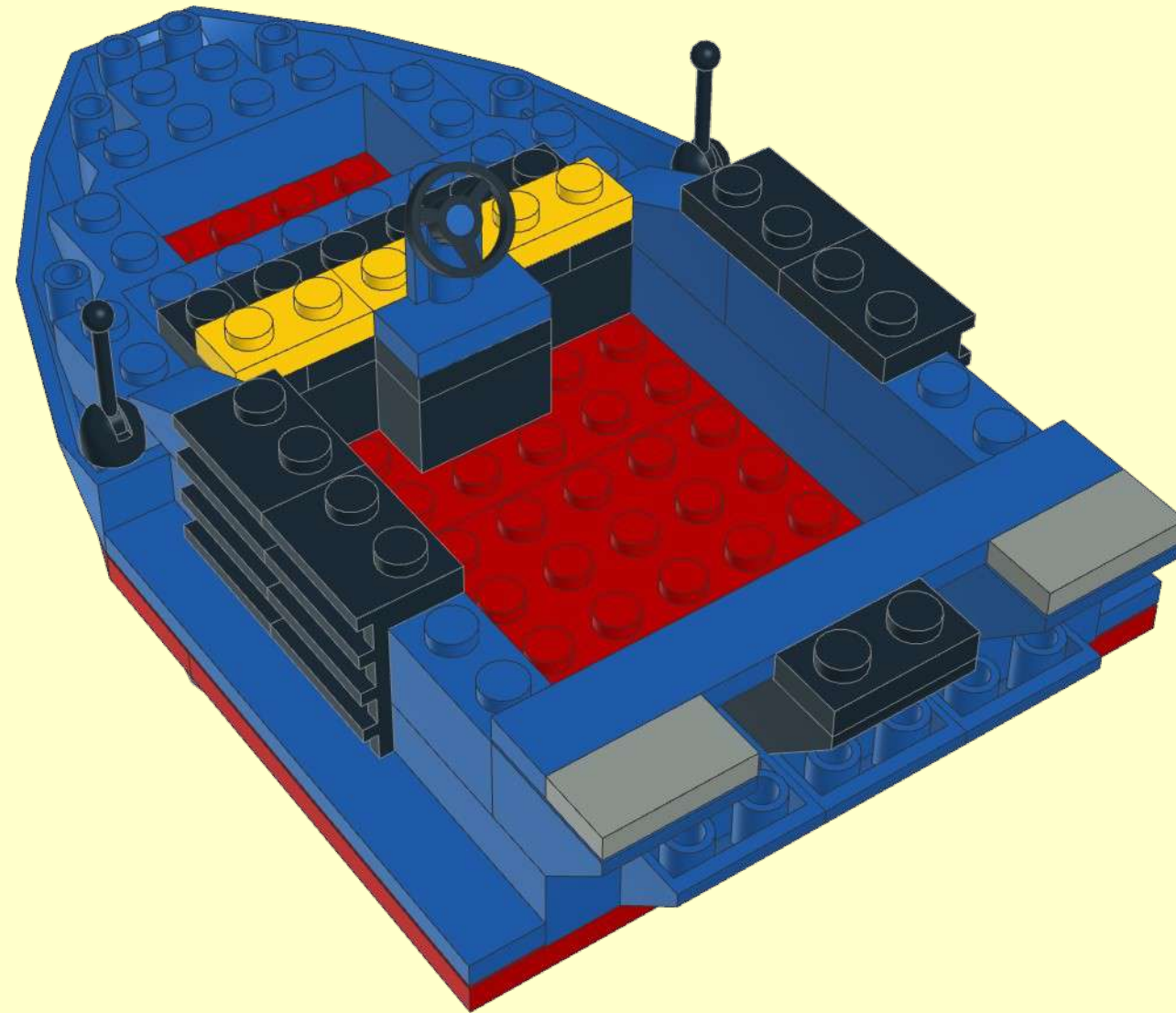
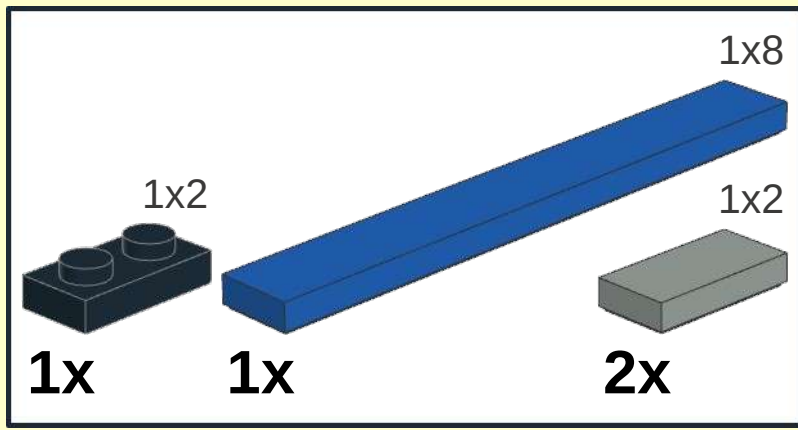
7

- 333x1
- 2x 452x2
- 2x 1x3
- 2x 1x2
- 2x 452x2
- 1x

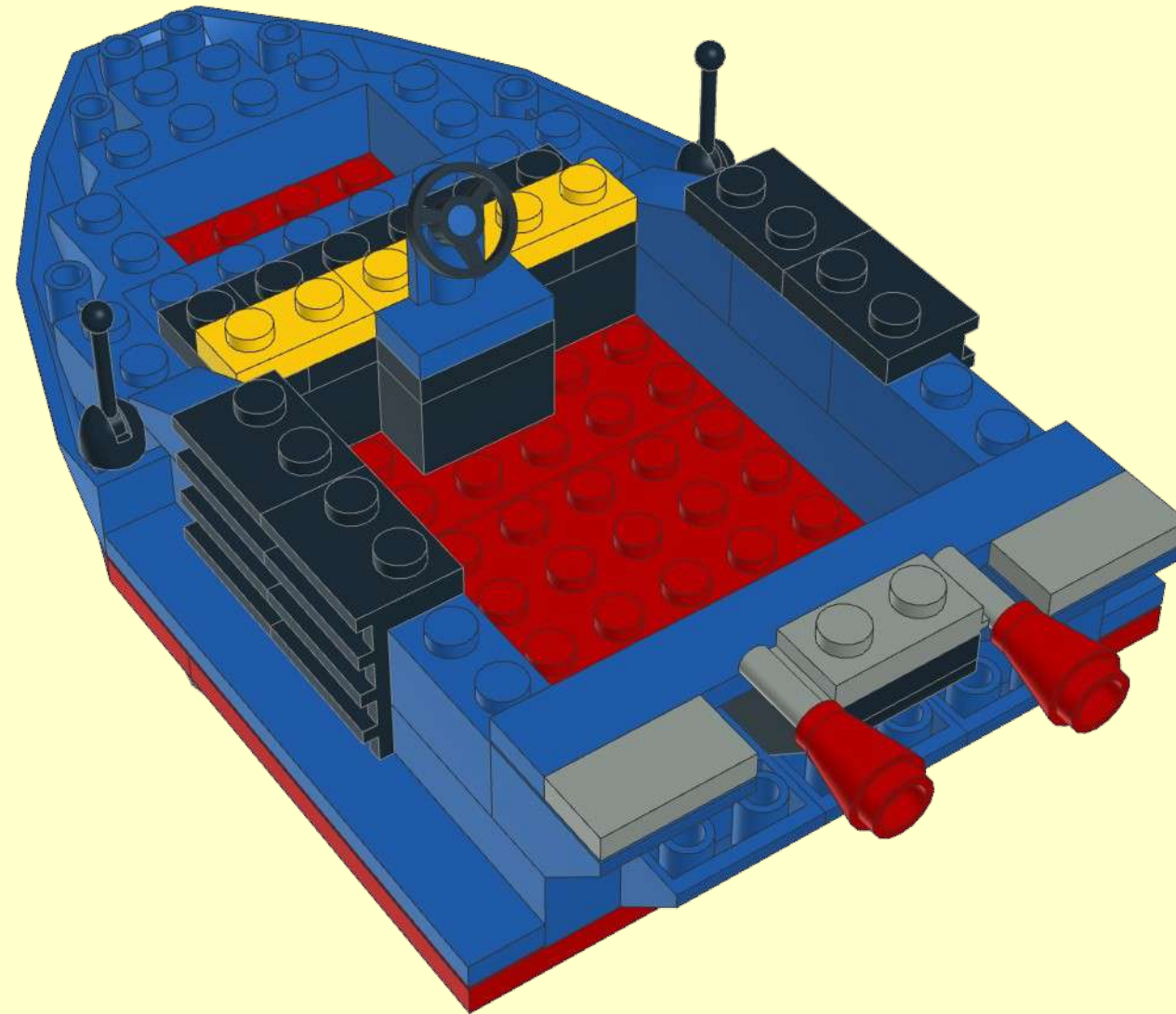
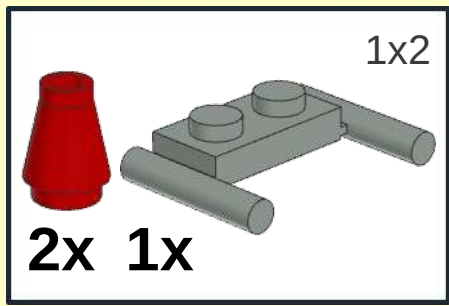






10

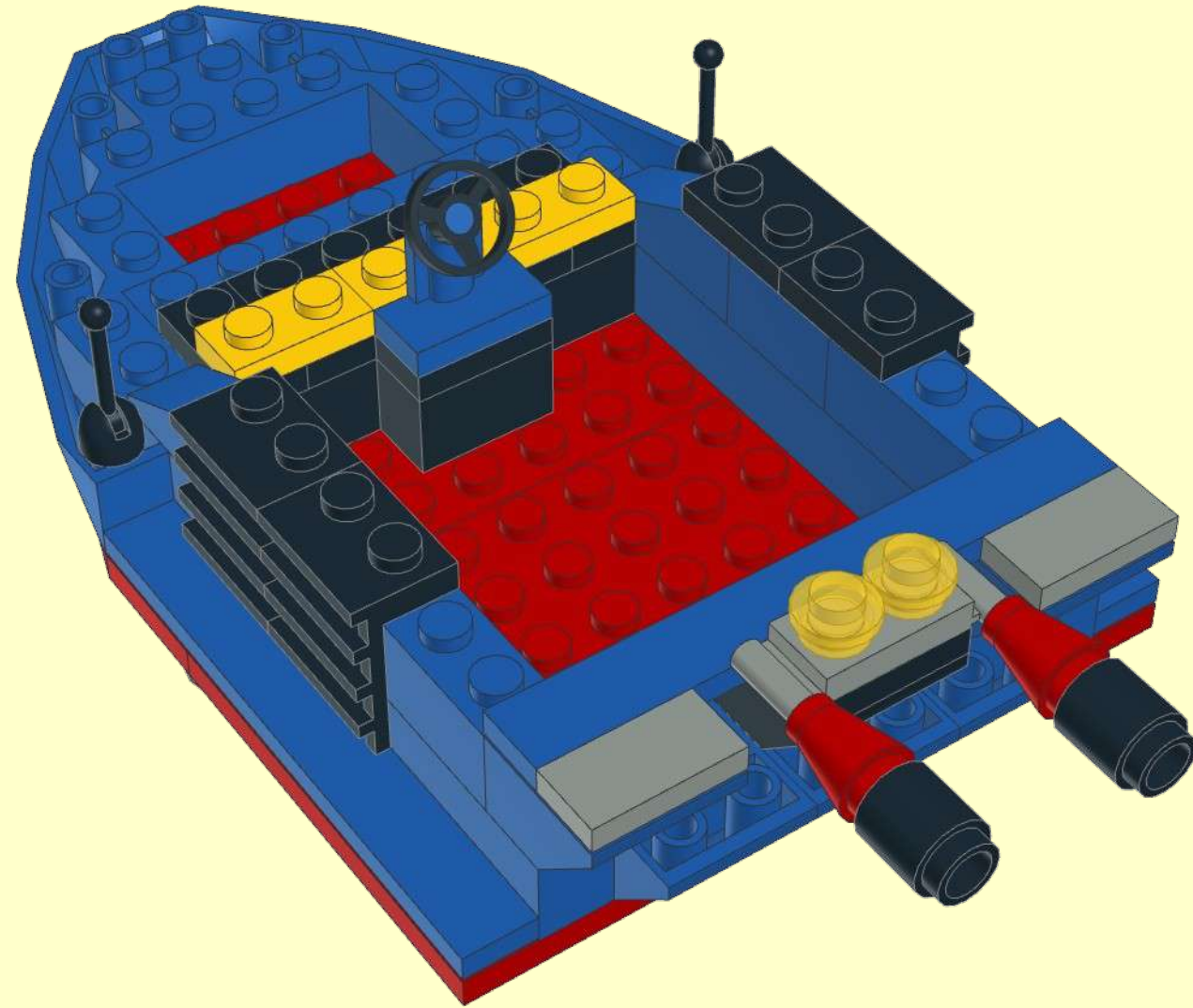


11

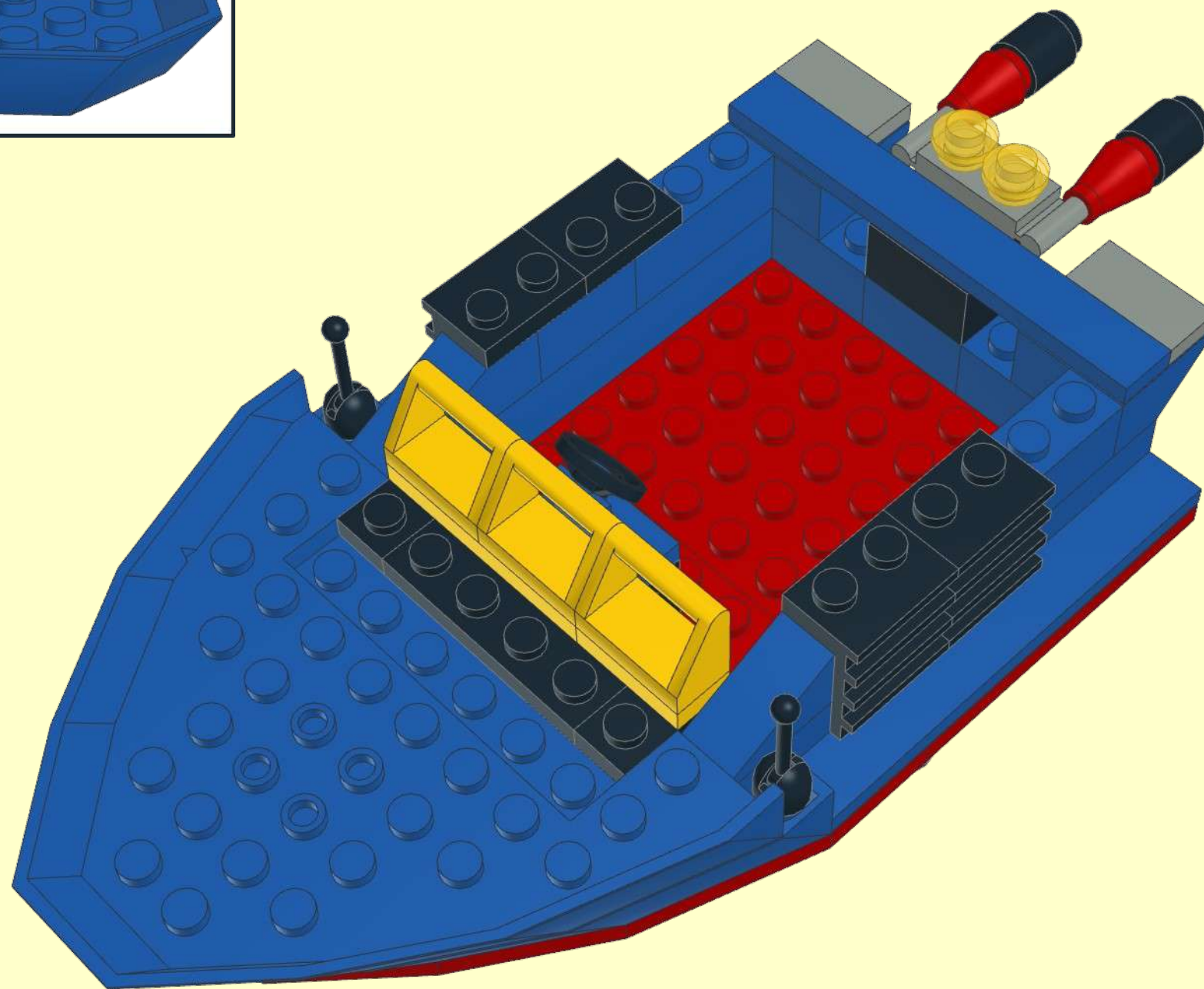
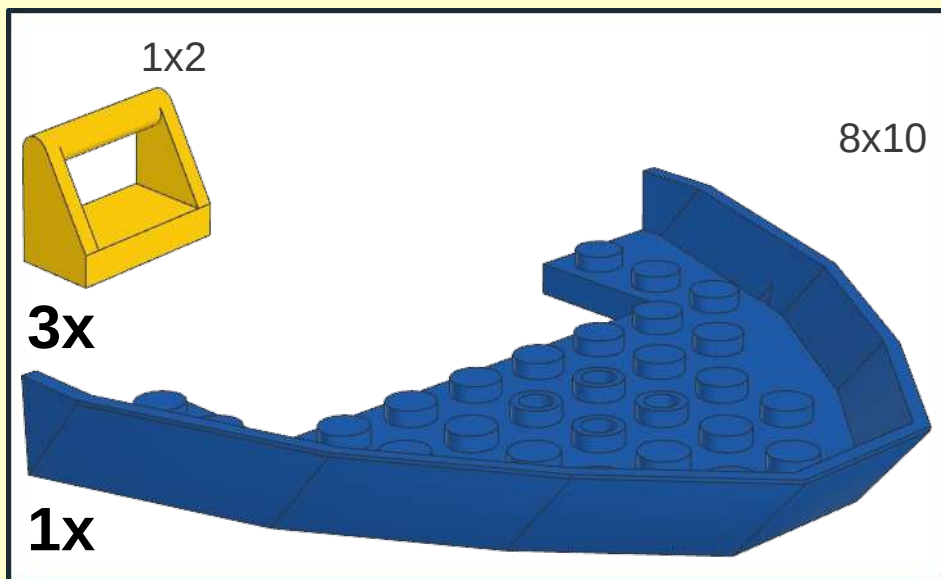


12

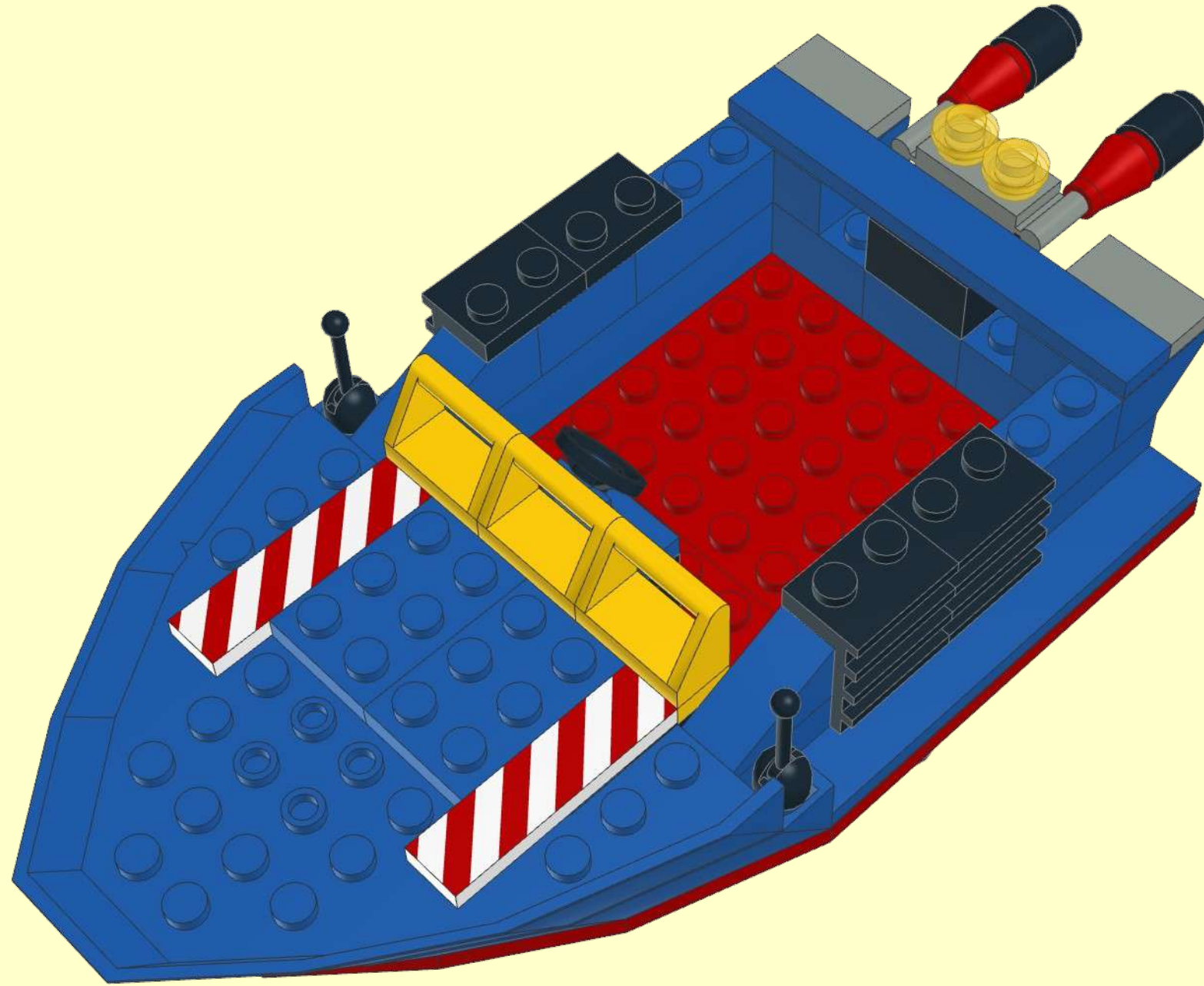
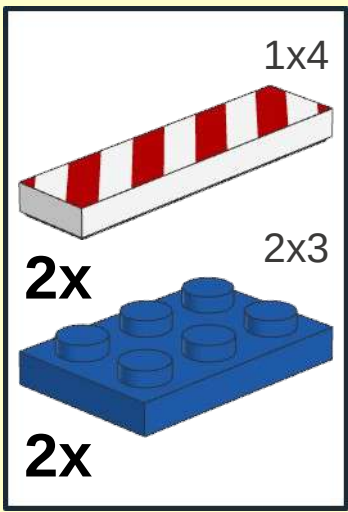
1x1	1x1
	
2x	2x



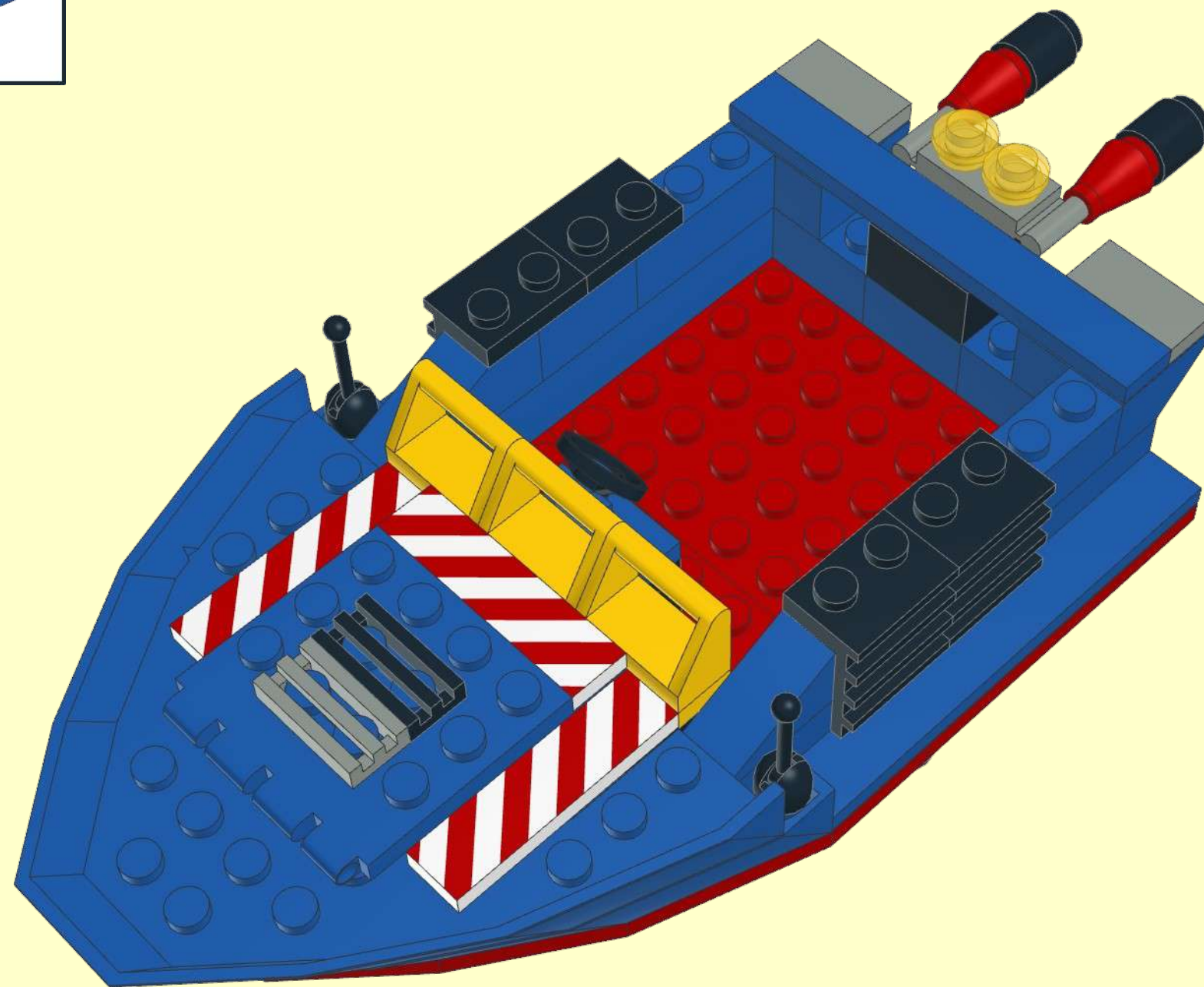
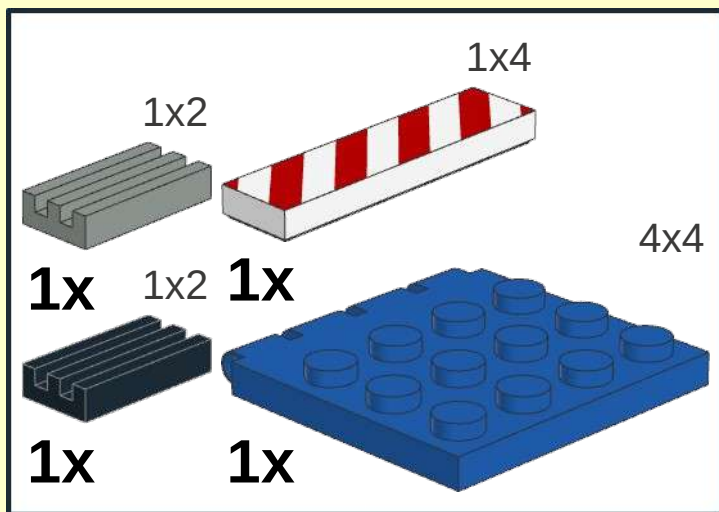
13



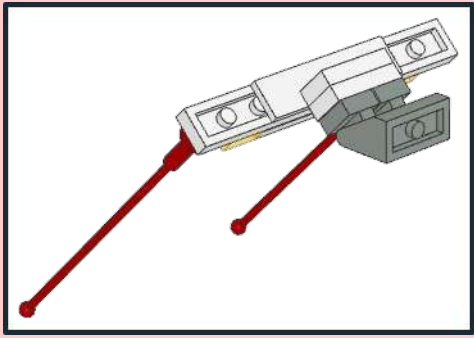
14



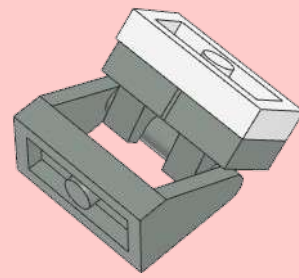
15



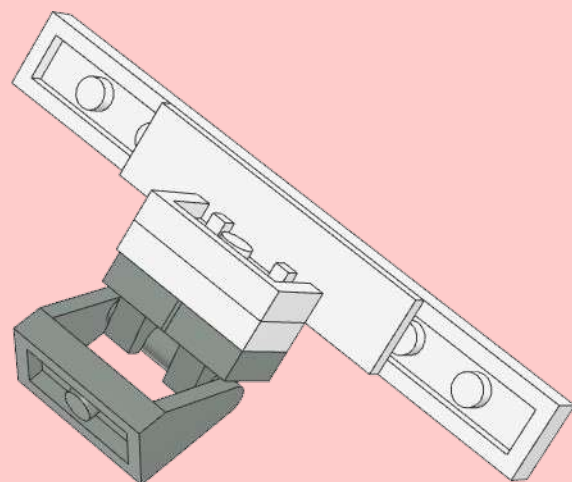
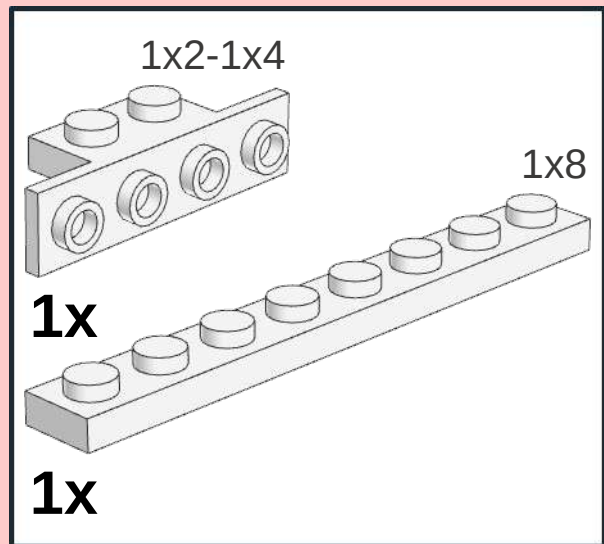
1



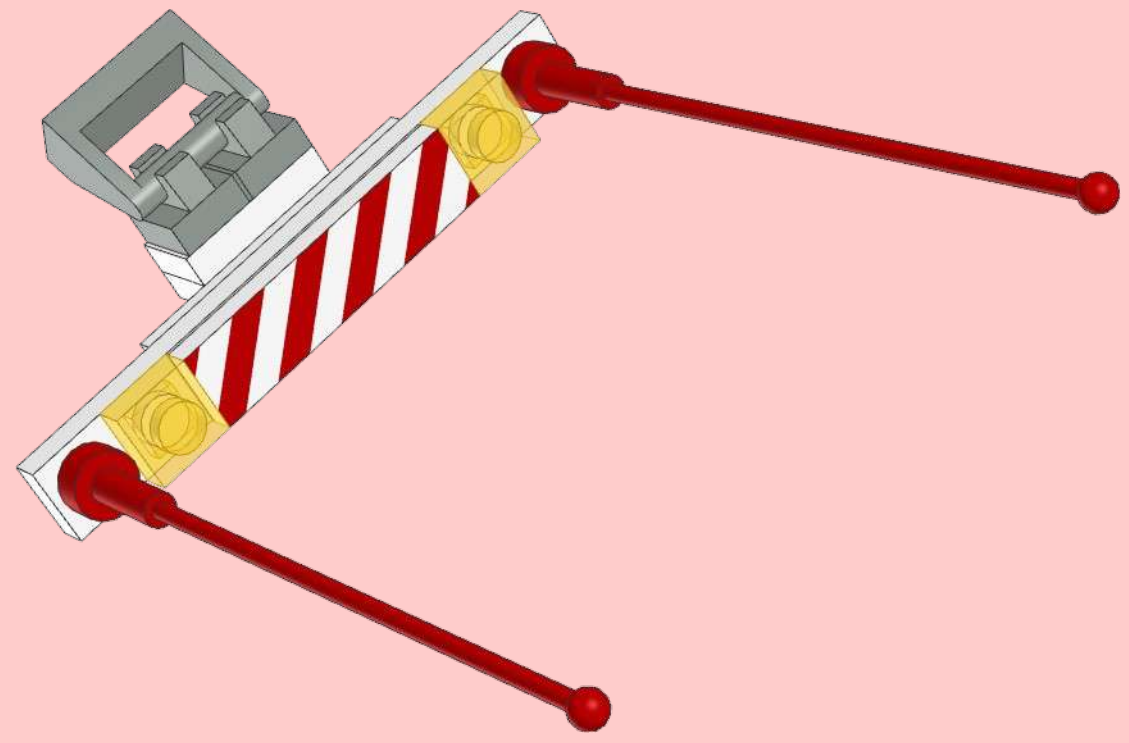
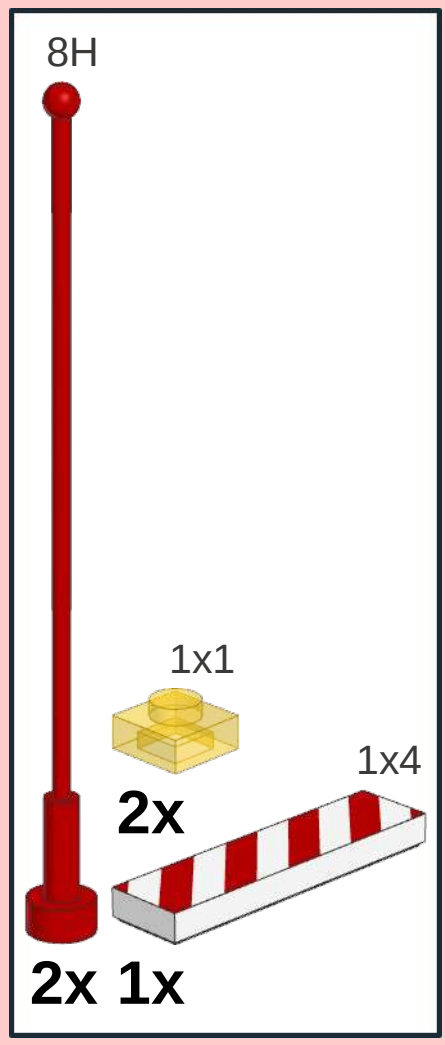
- 1x2
- 1x 1x2
- 1x
- 1x1
- 2x



2

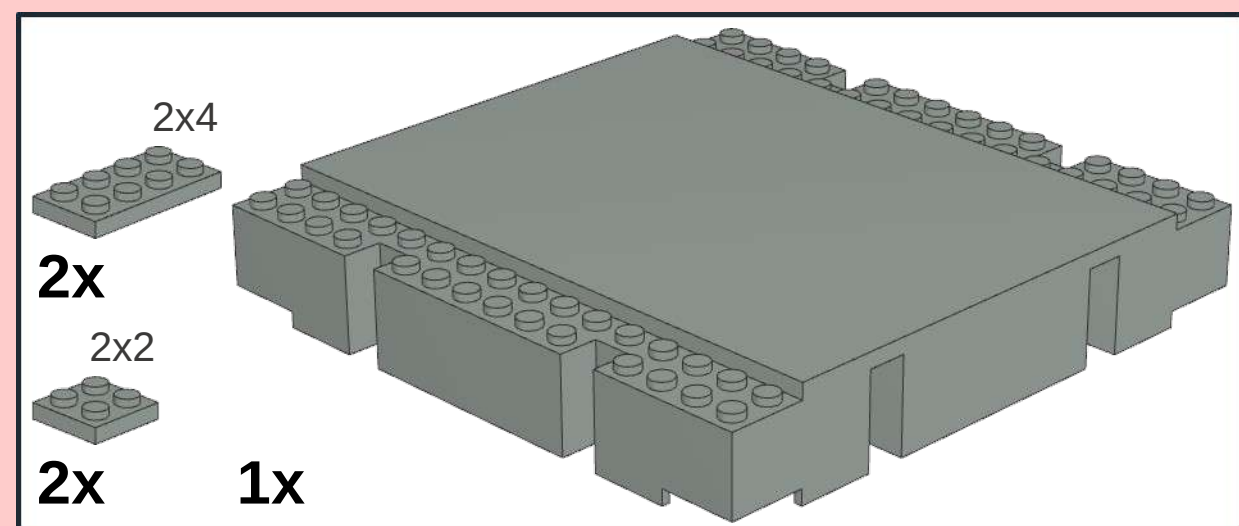
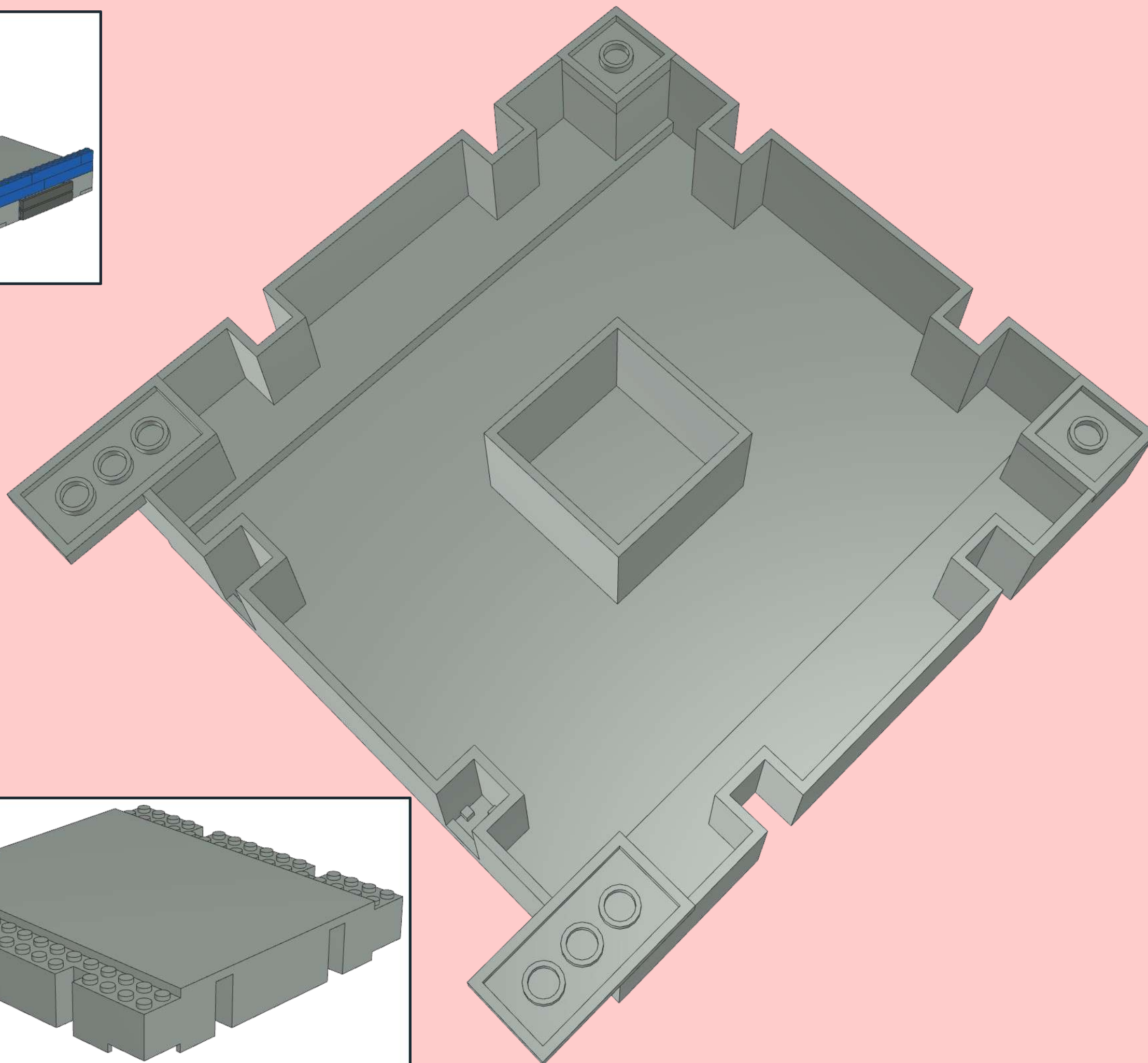
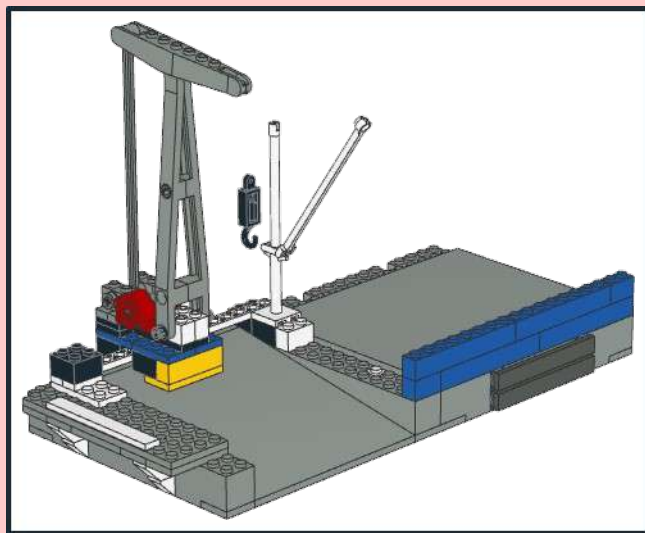


3

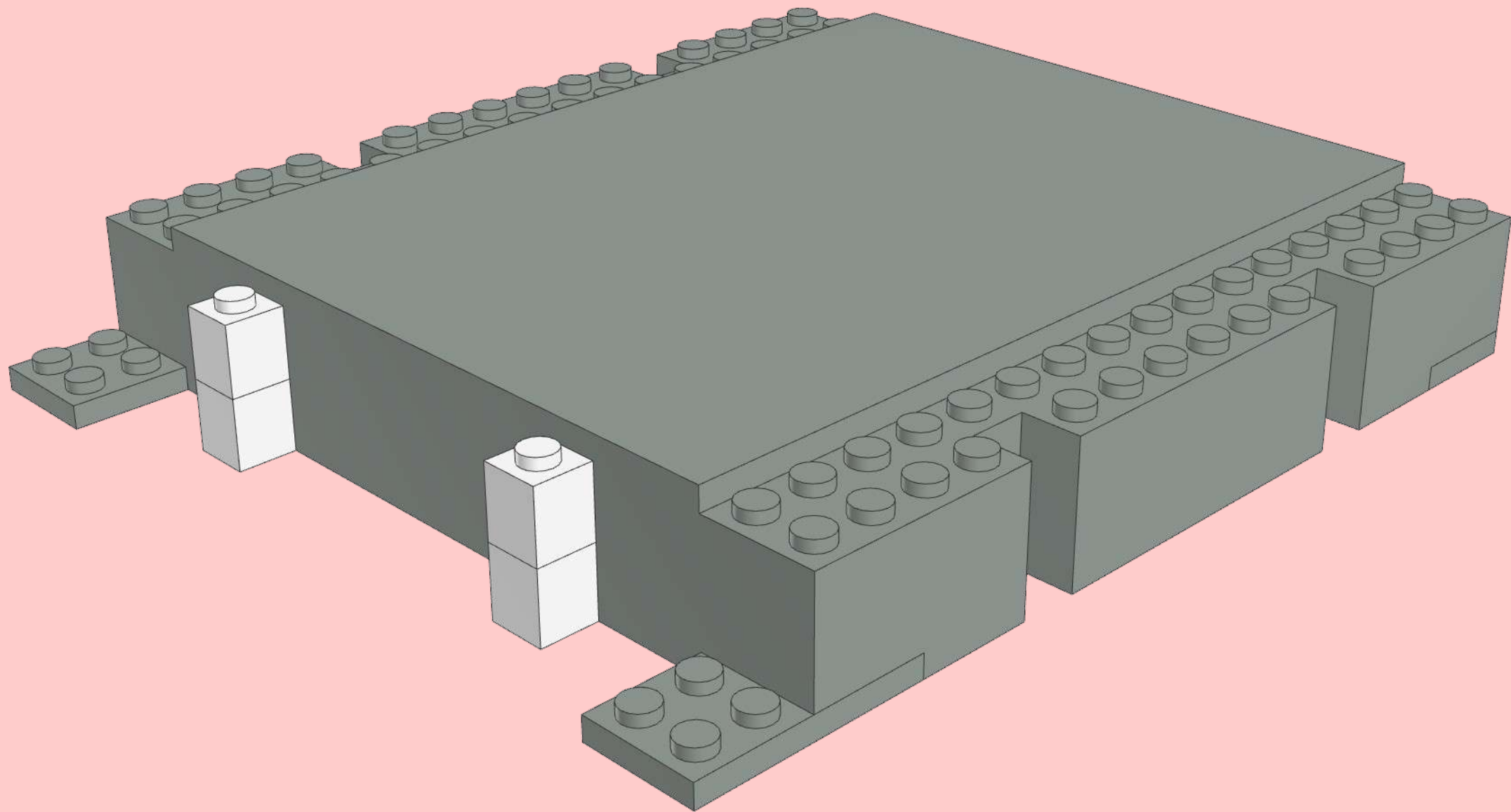
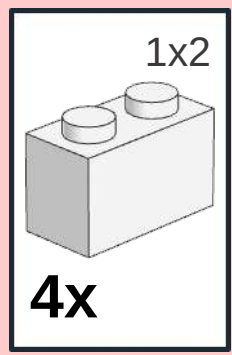







1

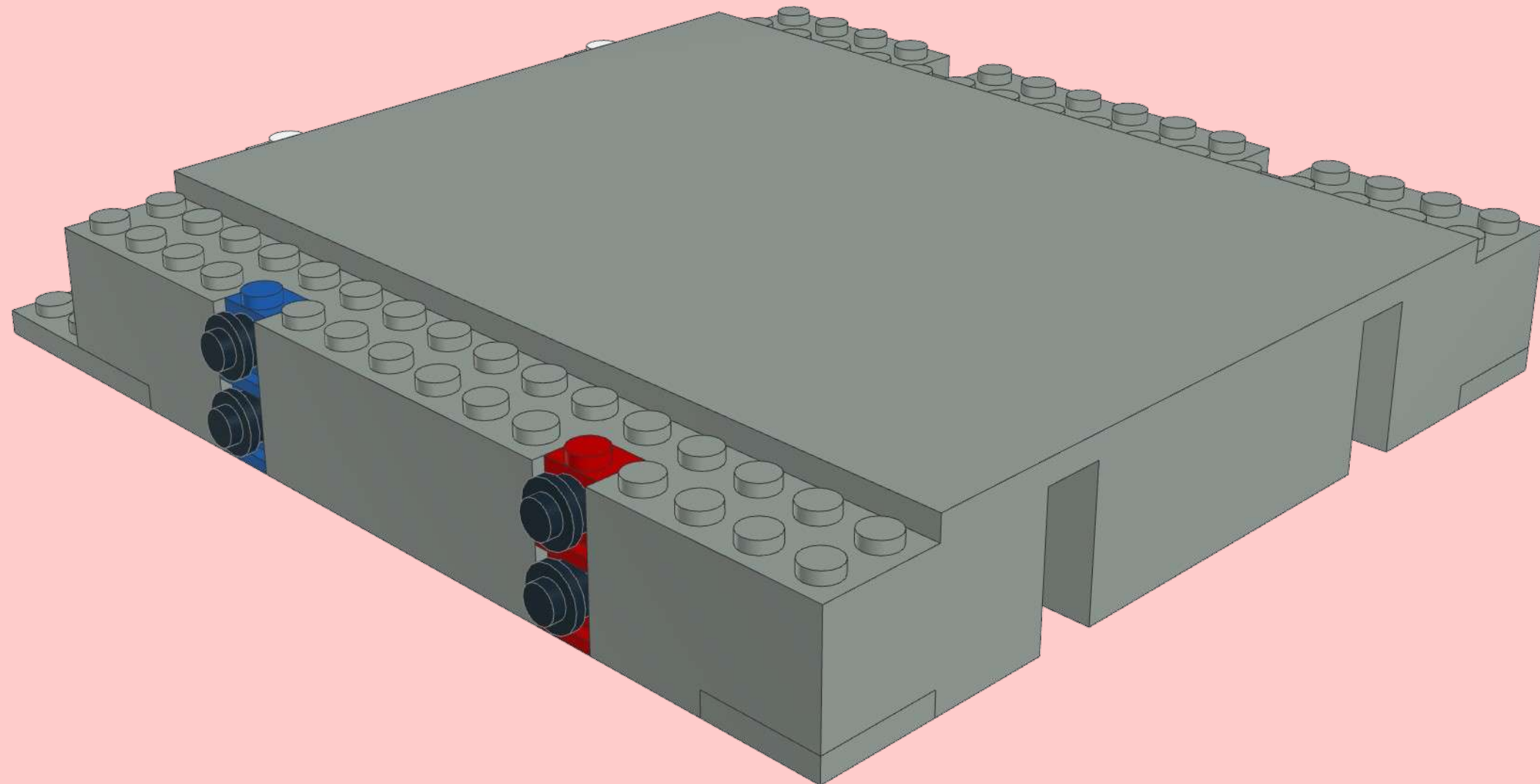


2

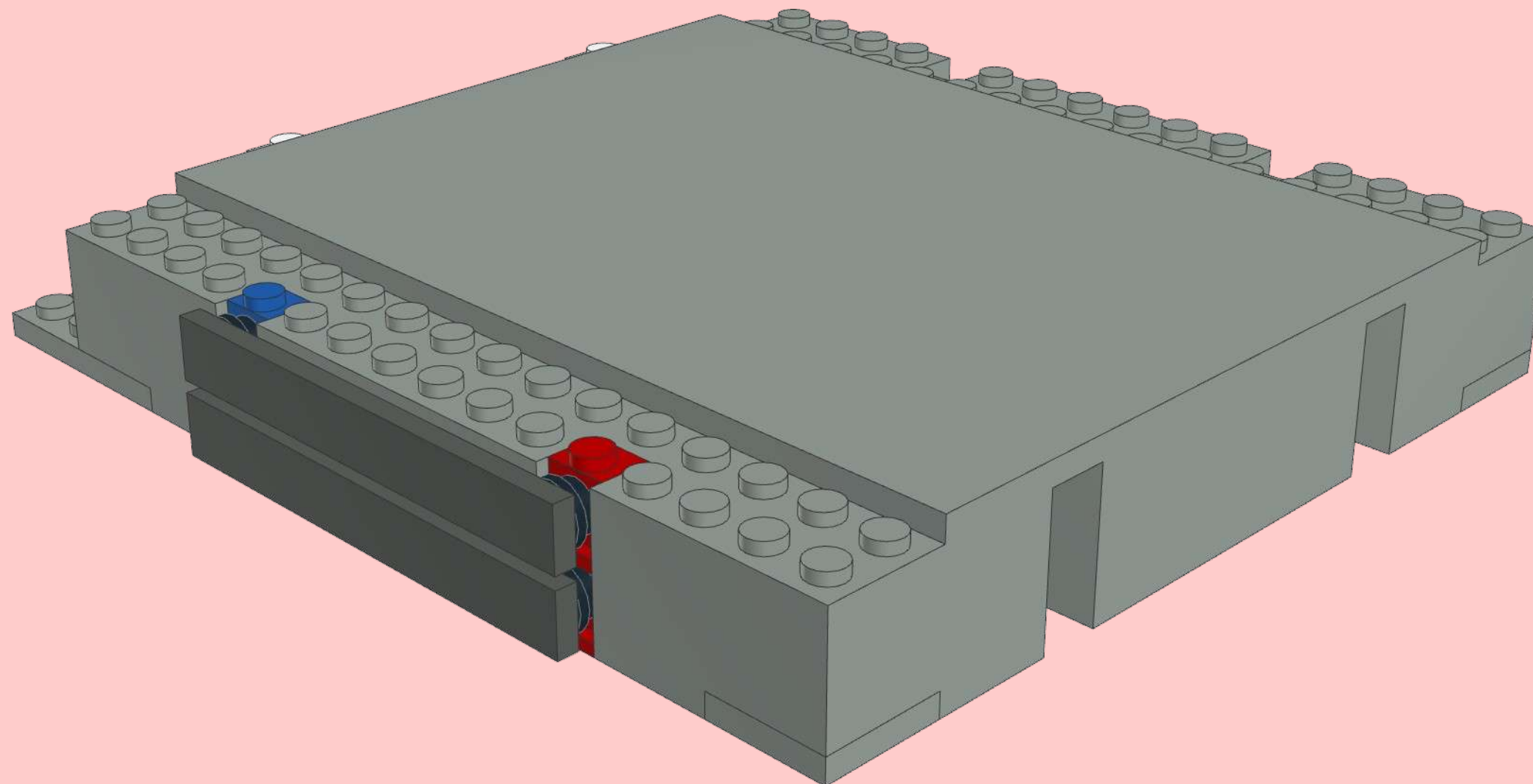
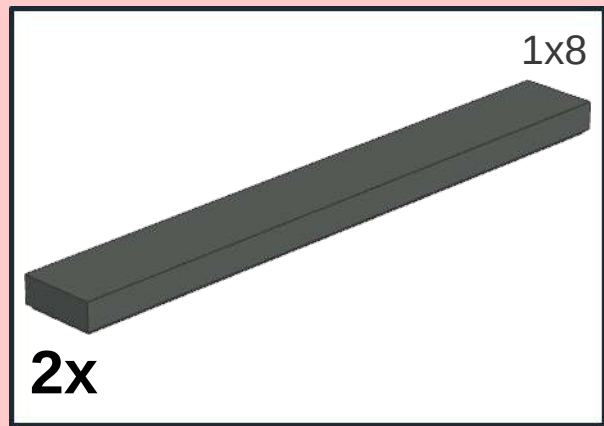


3

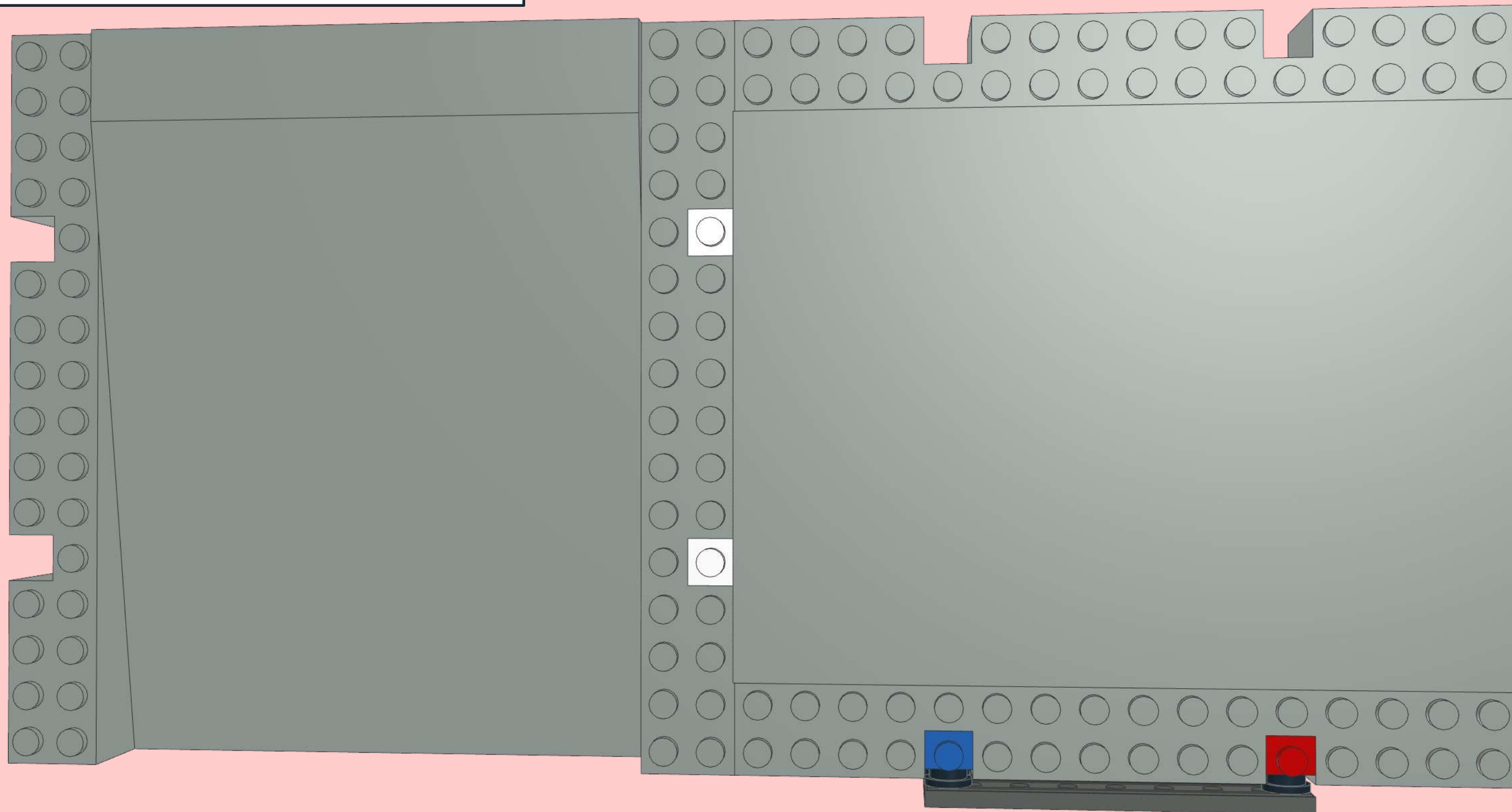
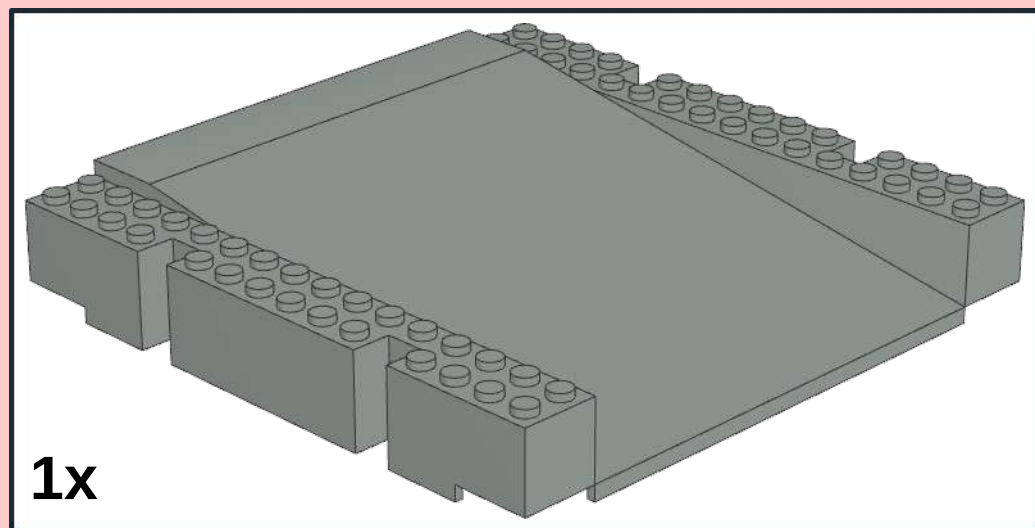
1x1	1x1	1x1
		
4x	2x	2x



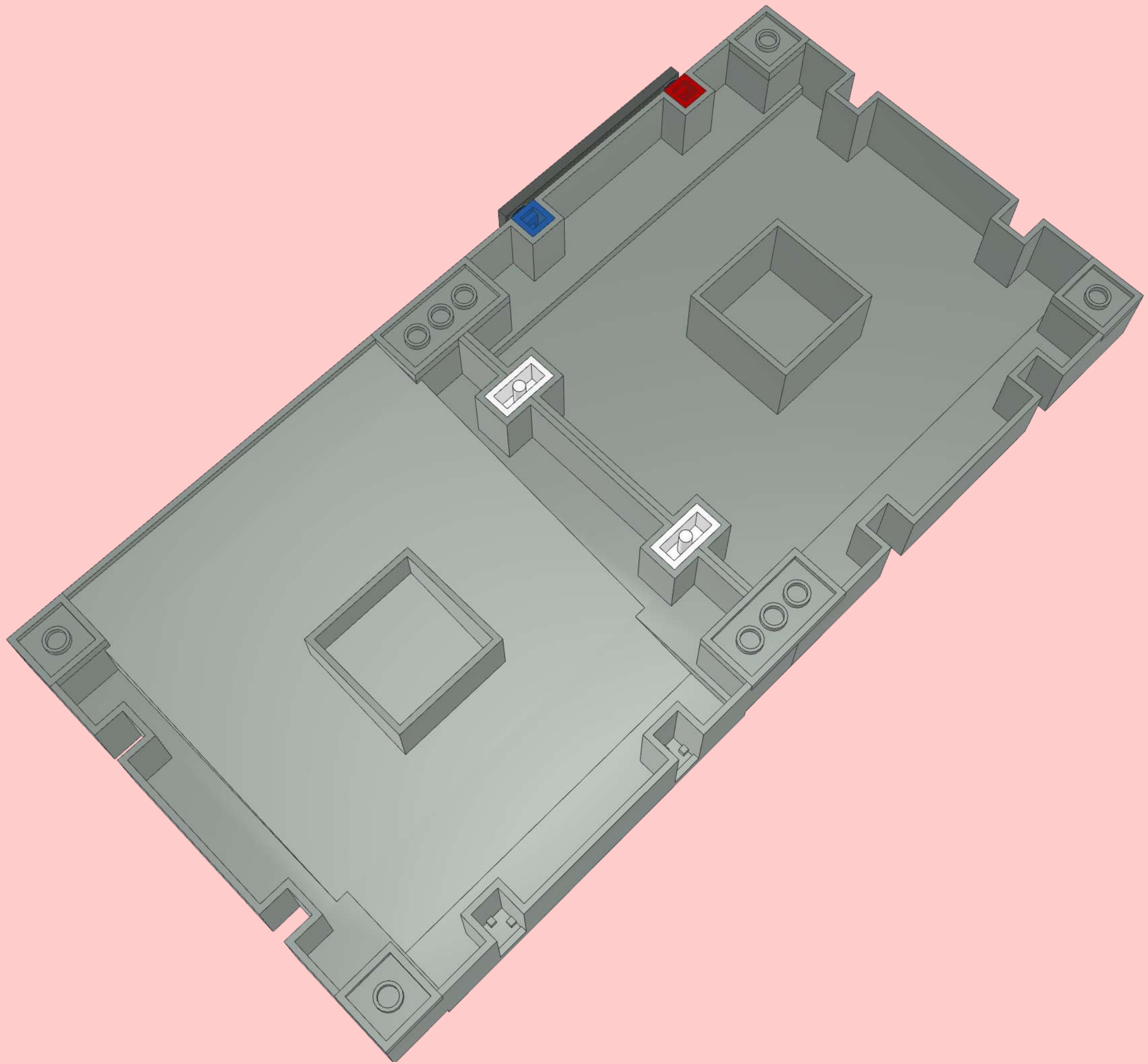
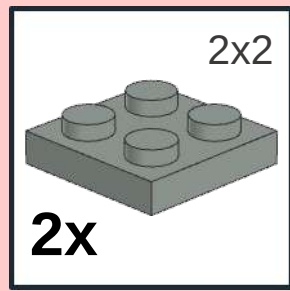
4



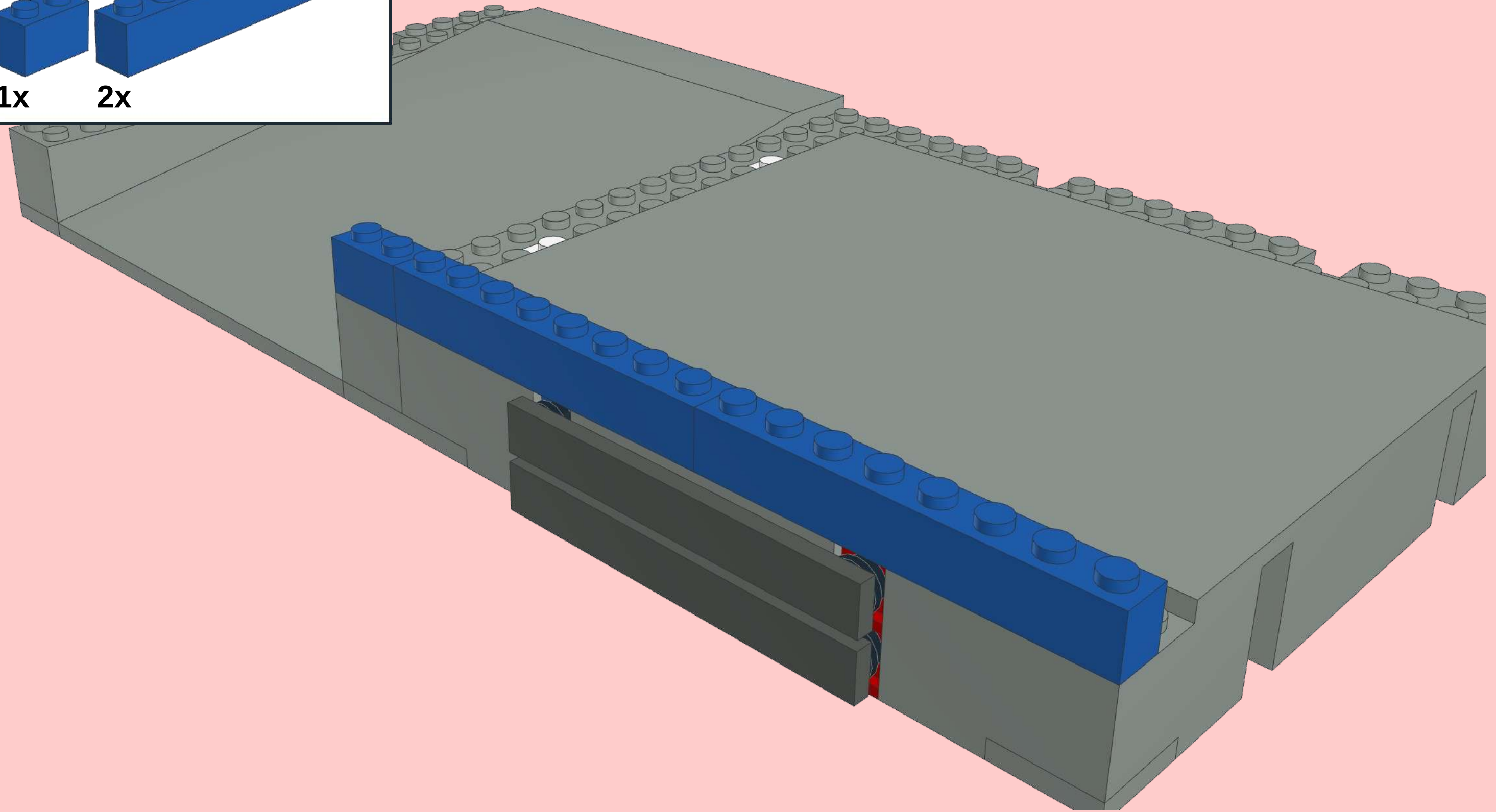
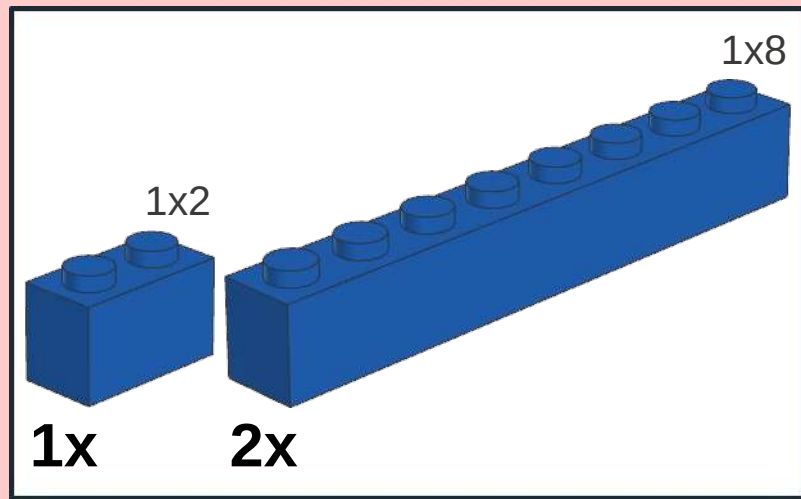
5



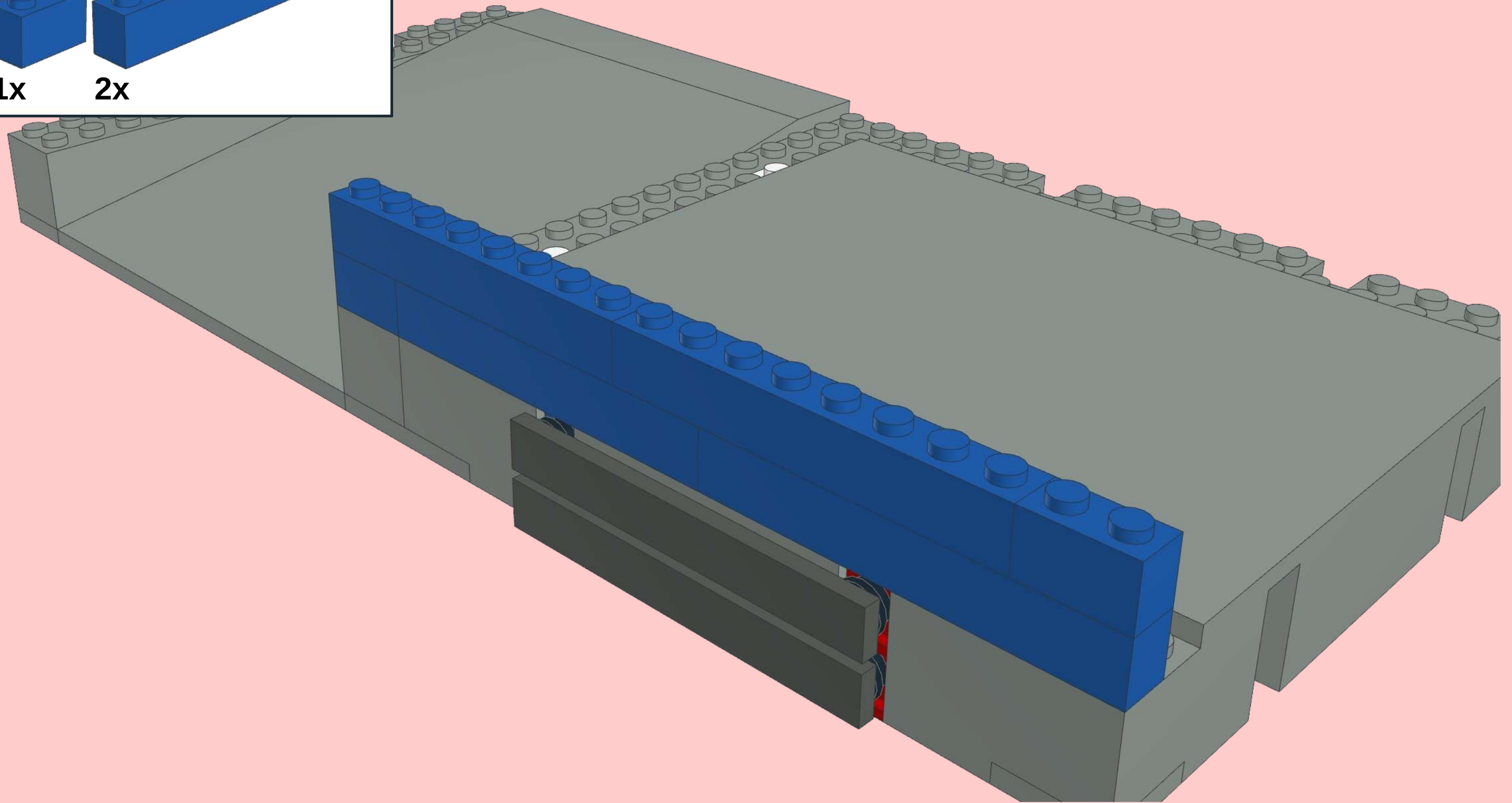
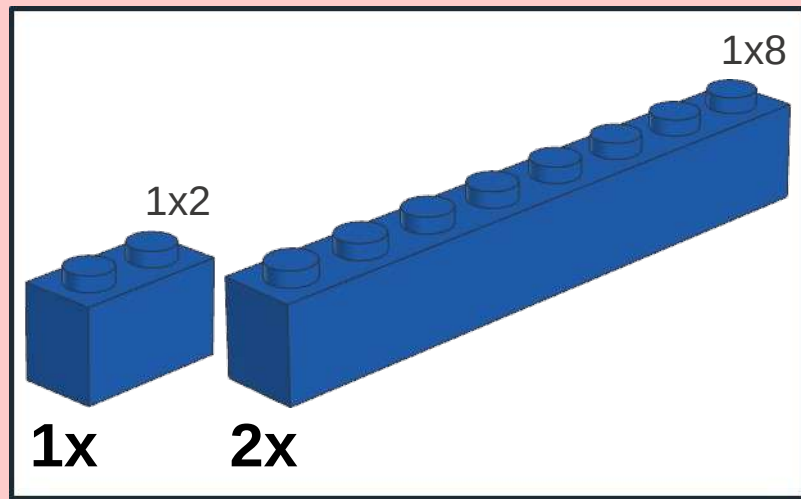
6



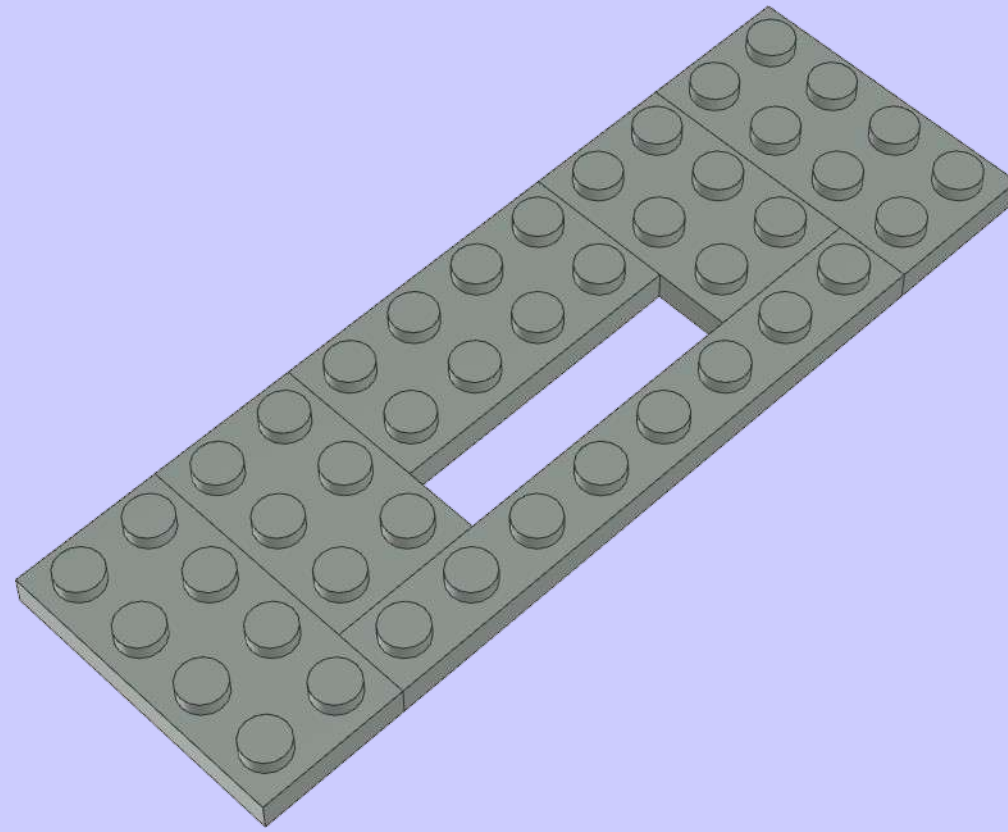
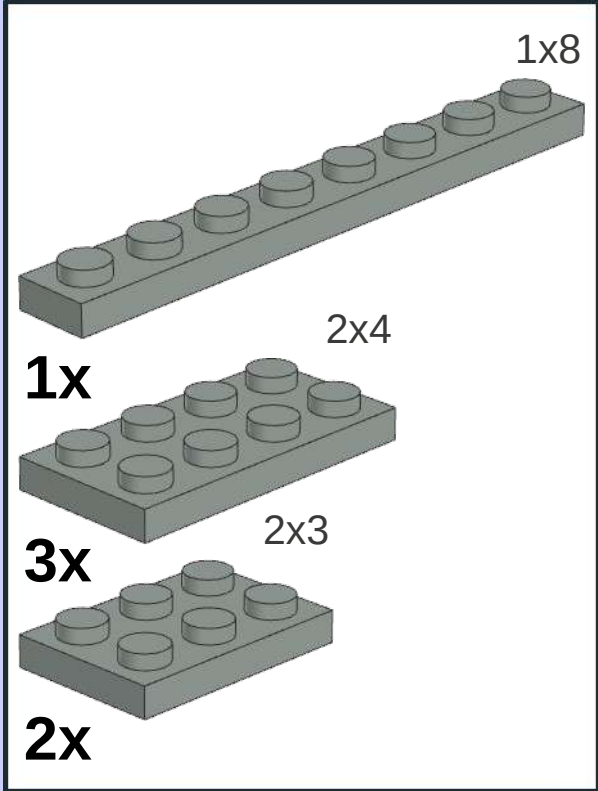
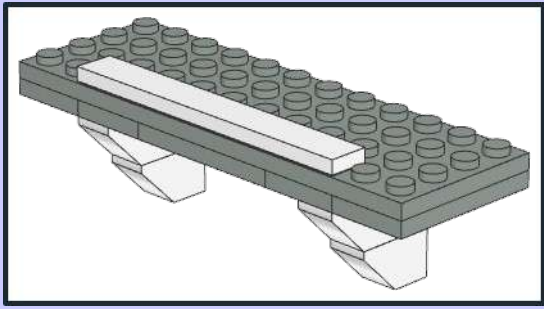
7



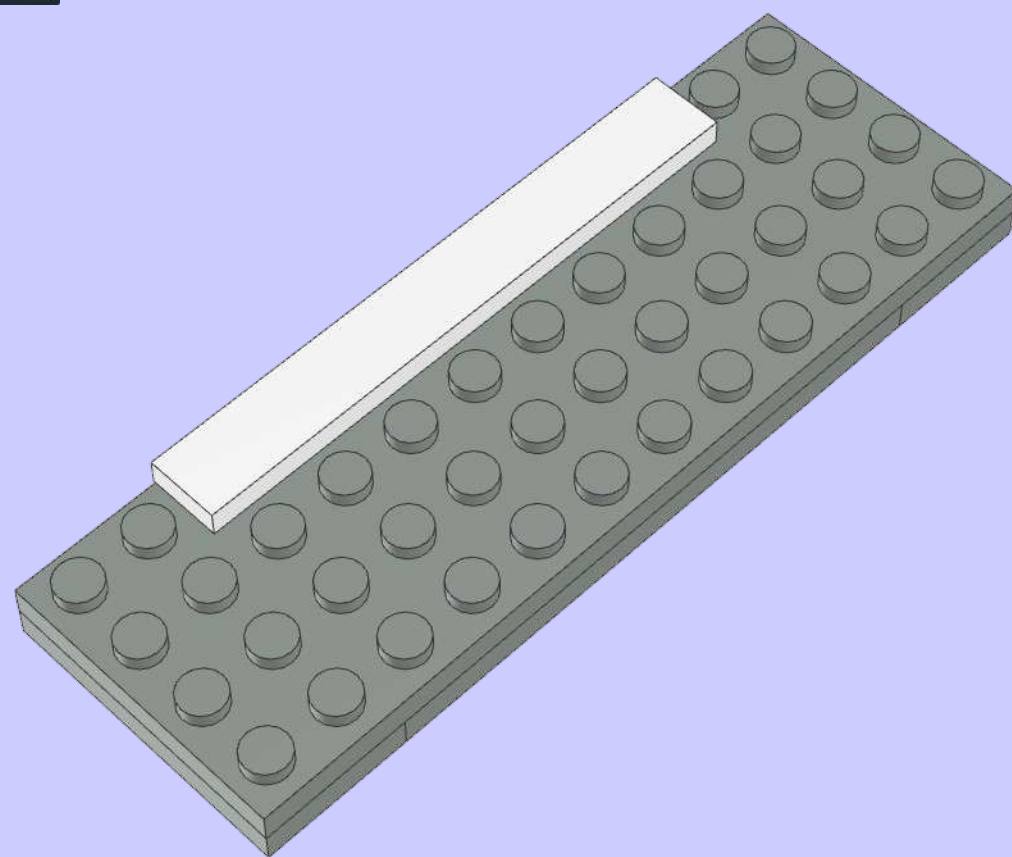
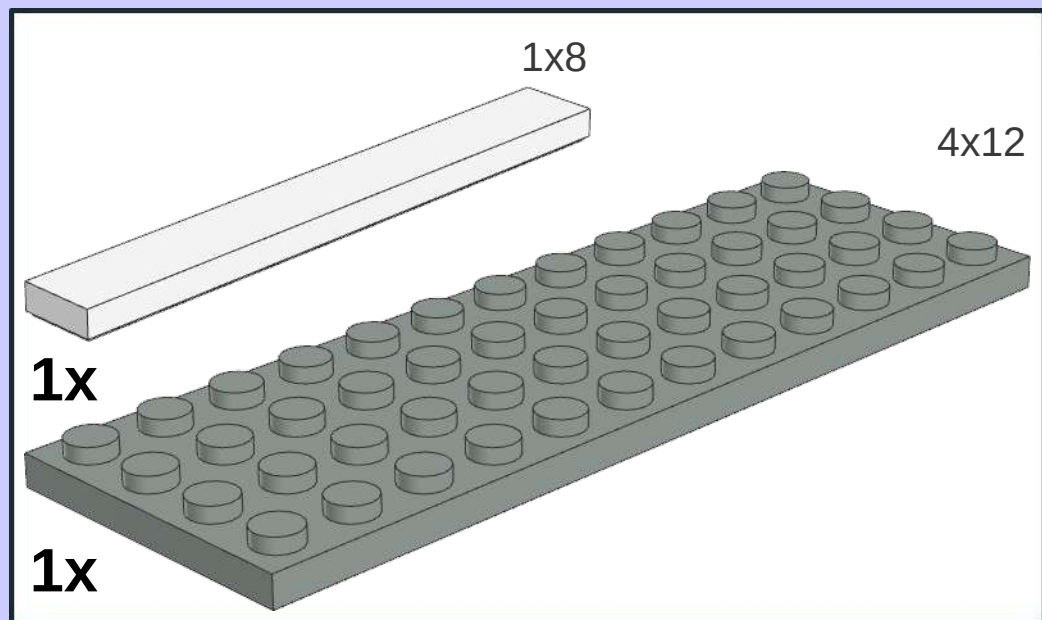
8



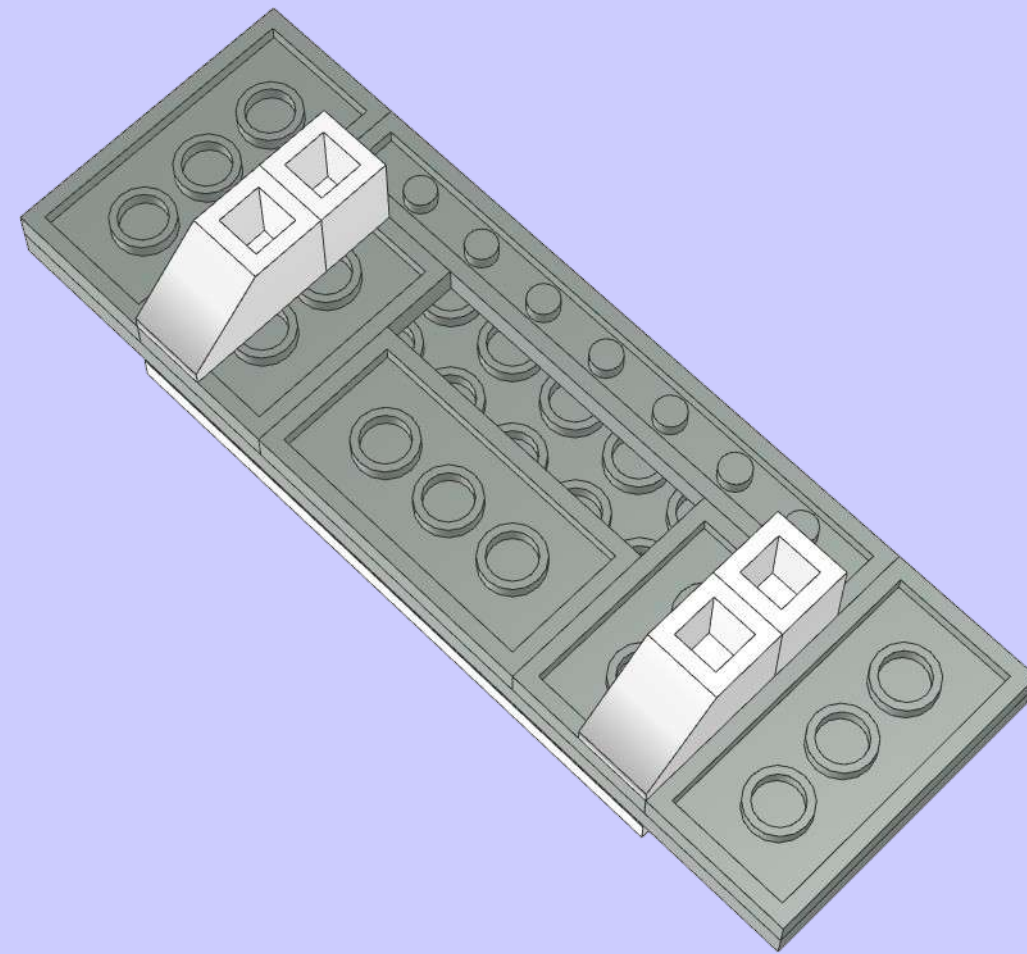
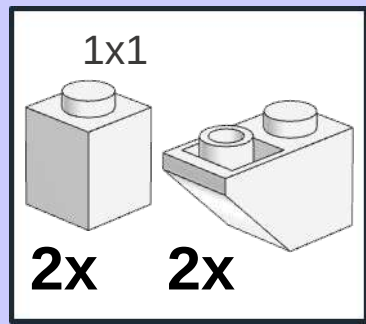
1



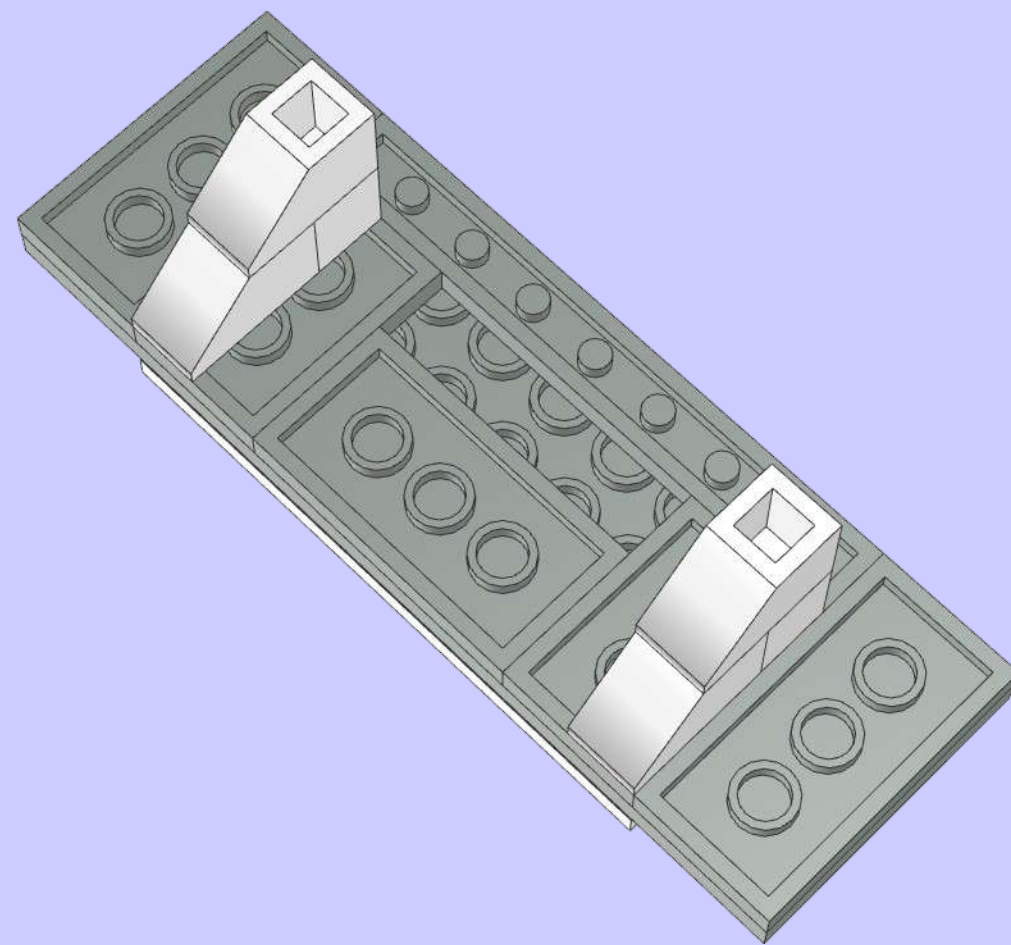
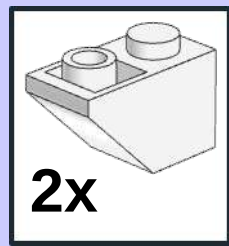
2

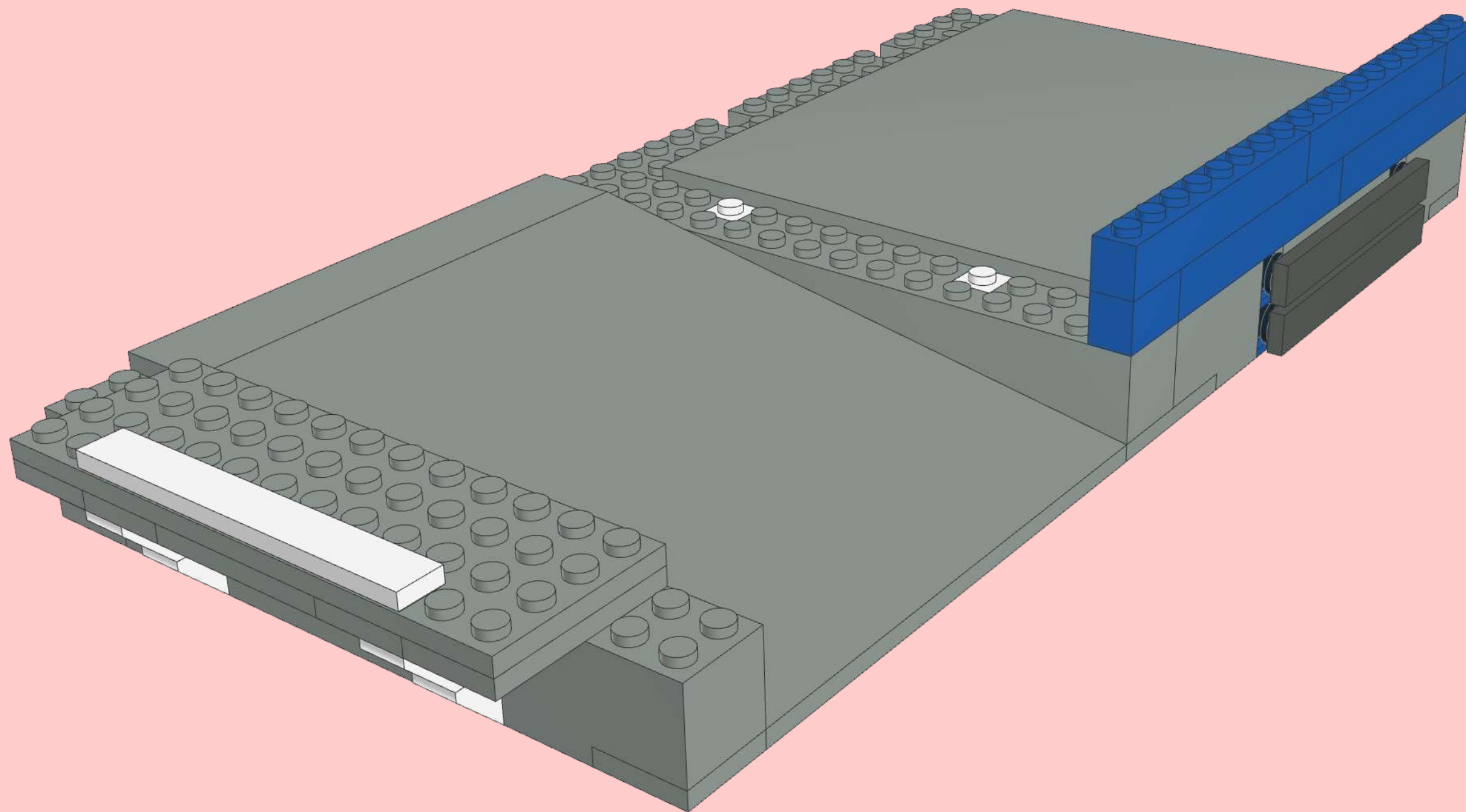


3

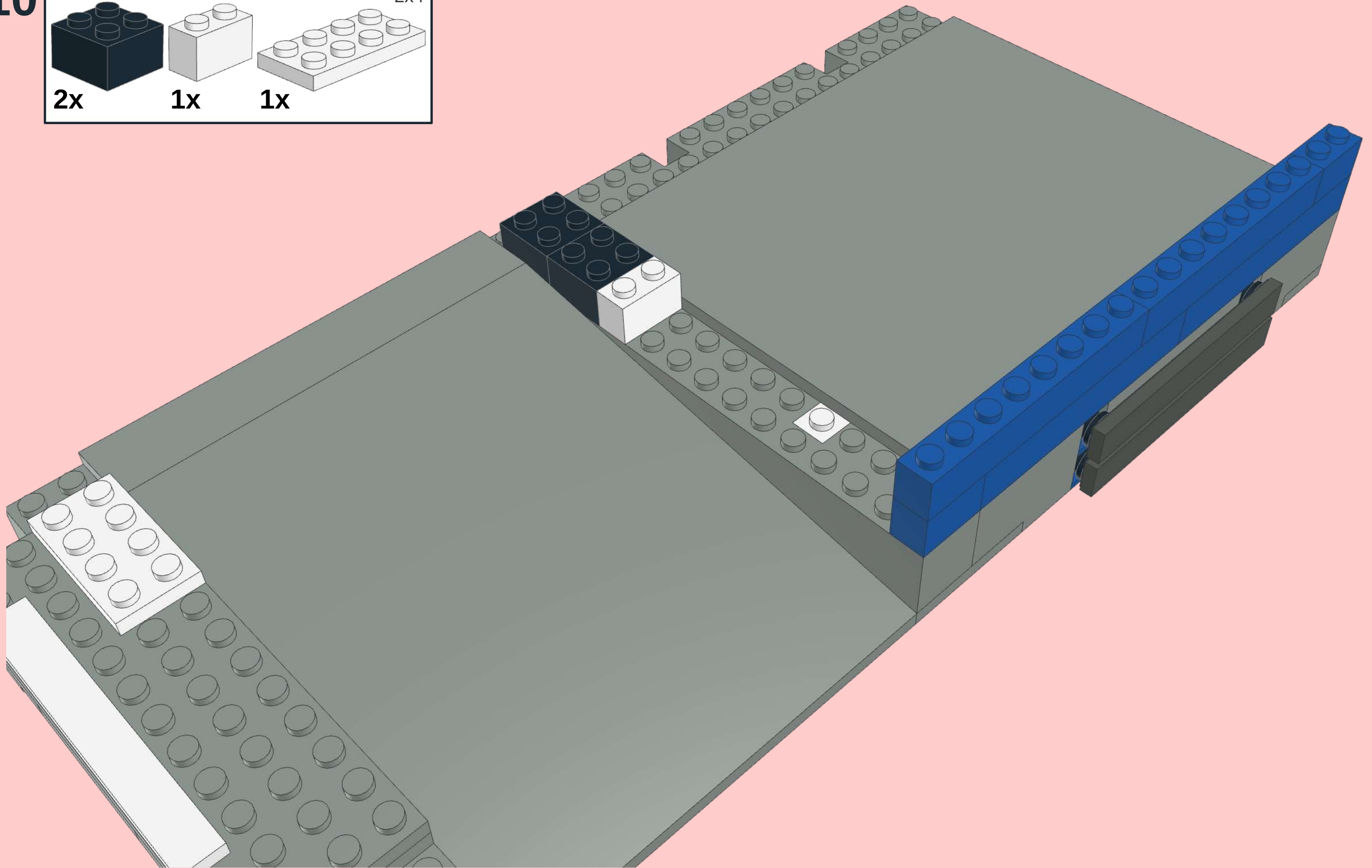
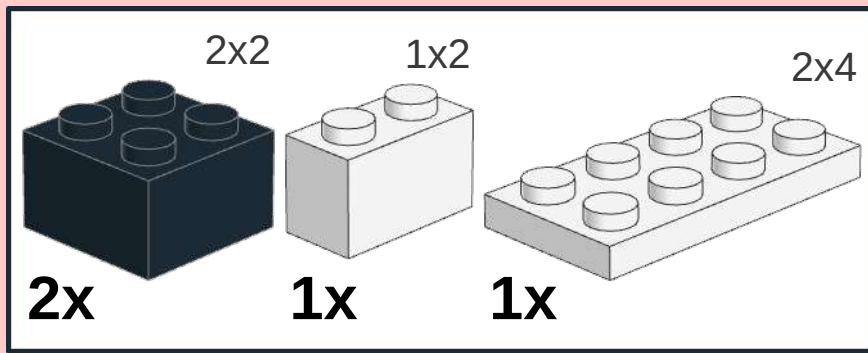


4

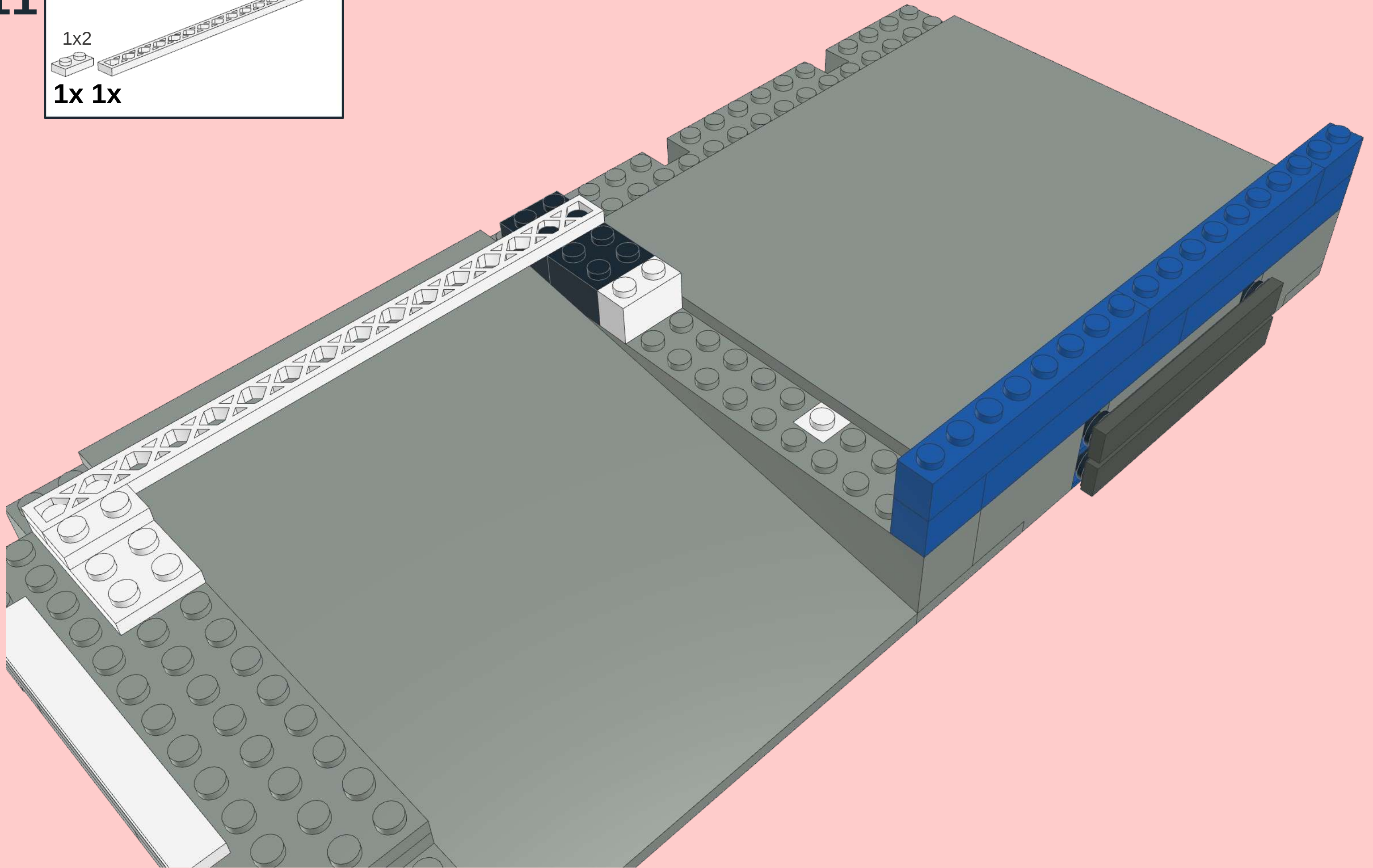
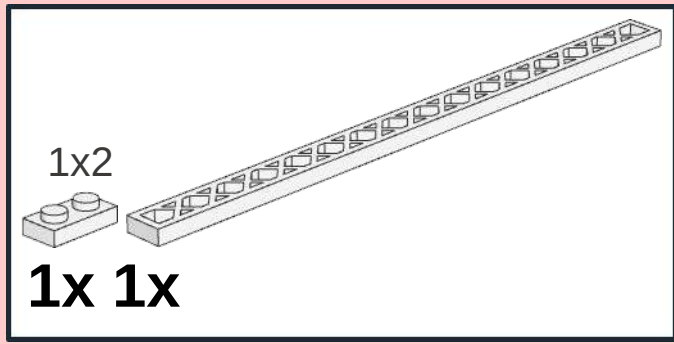




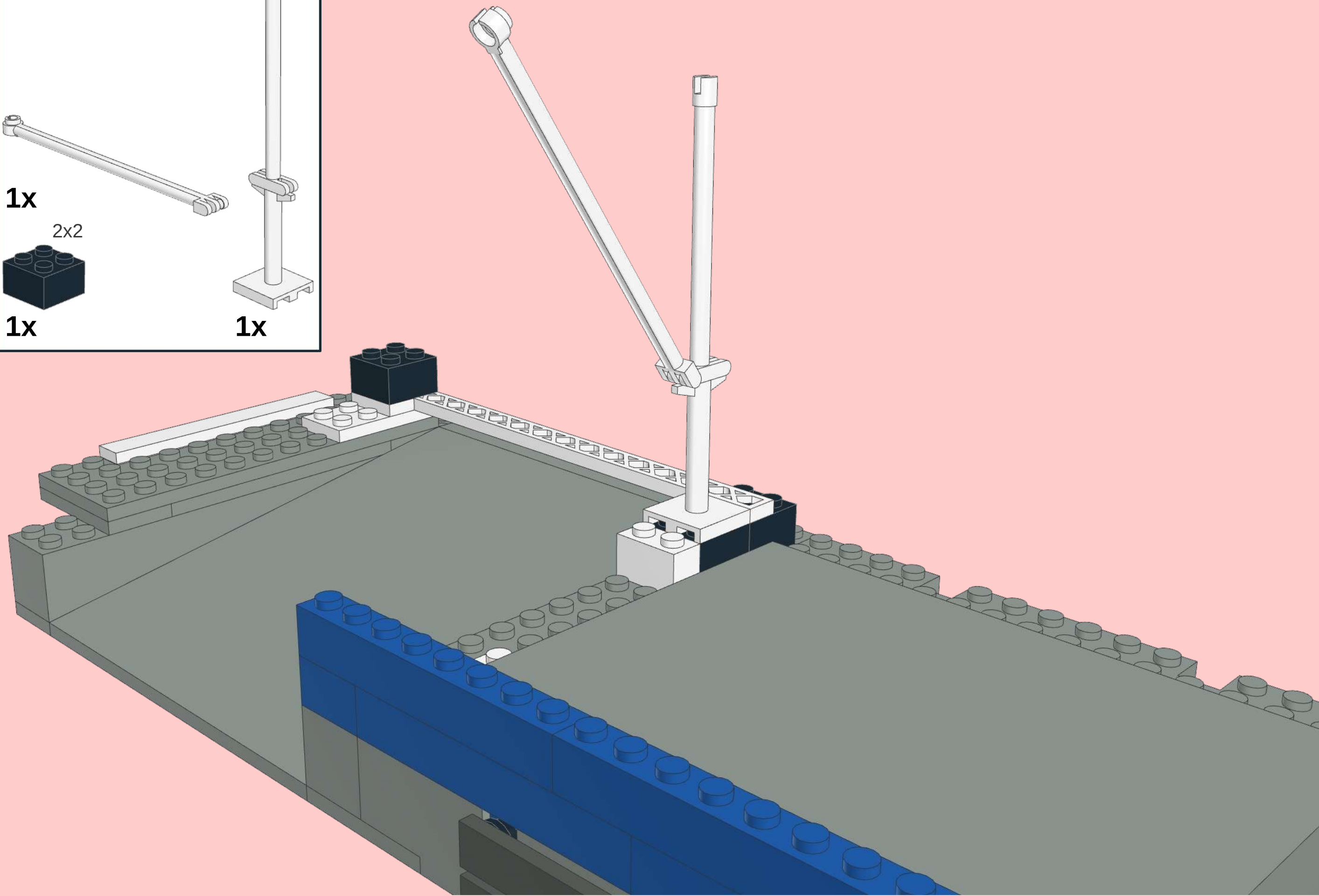
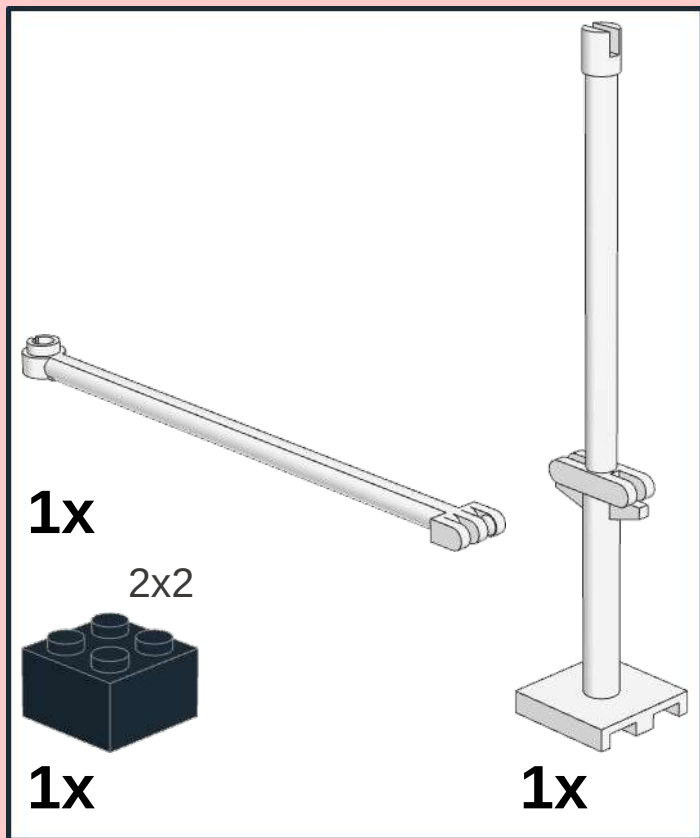
10



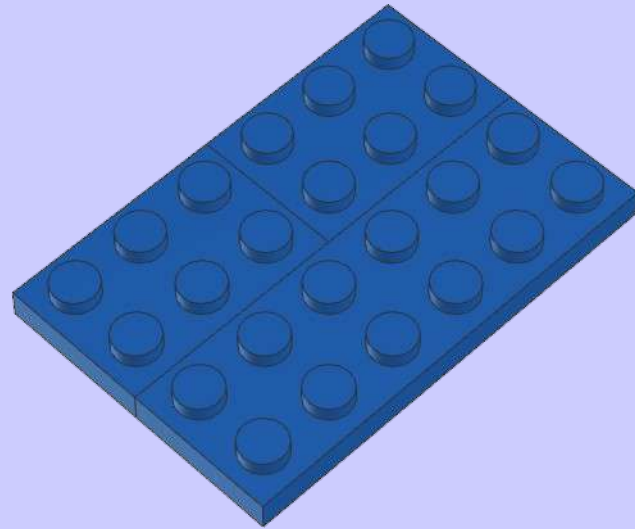
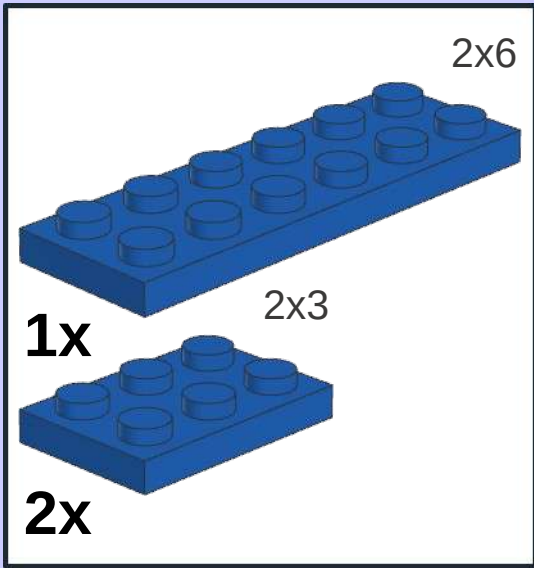
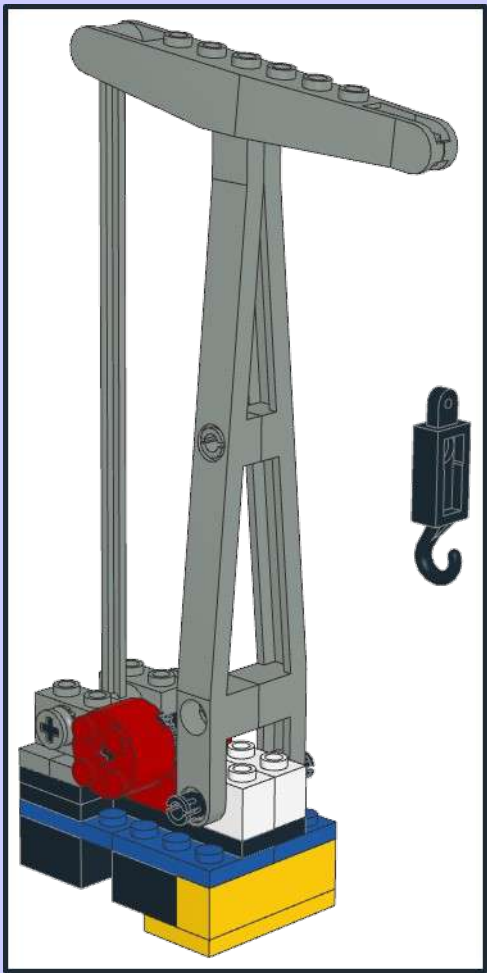
11

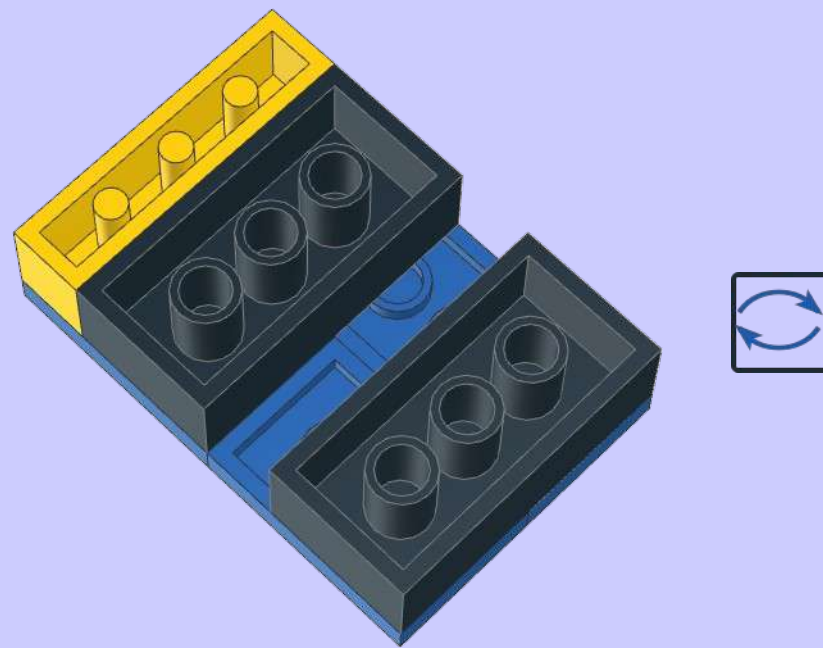
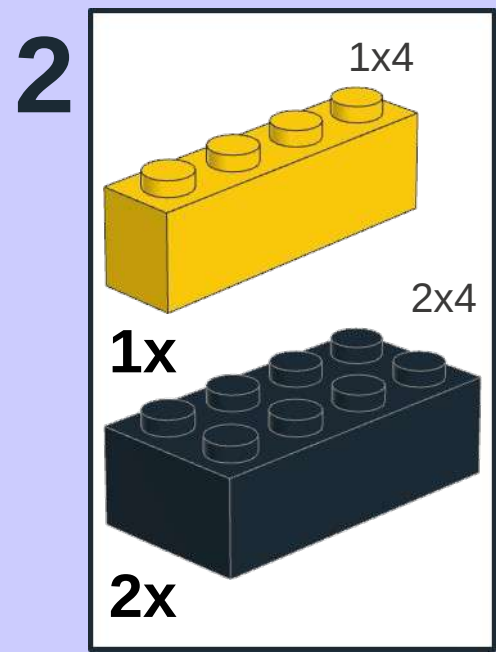


12

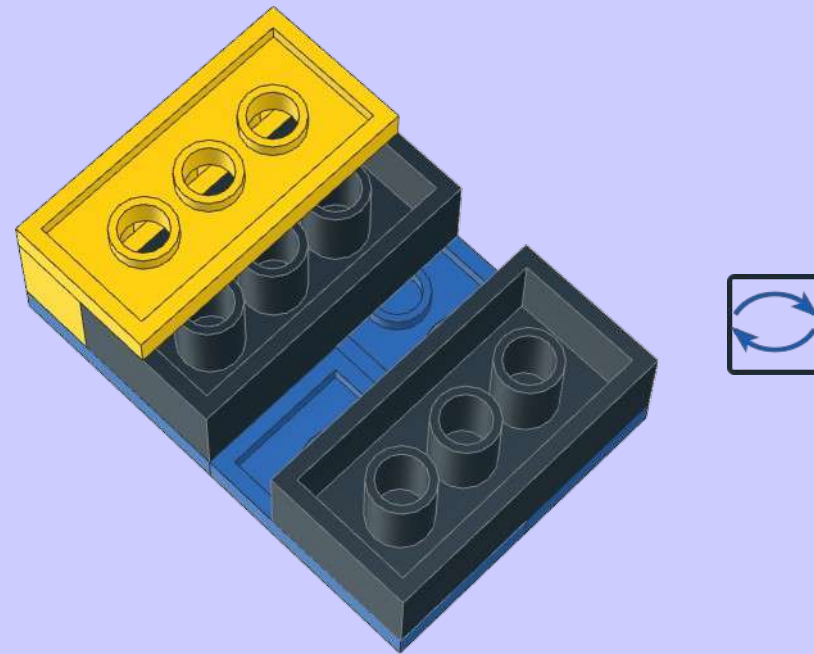
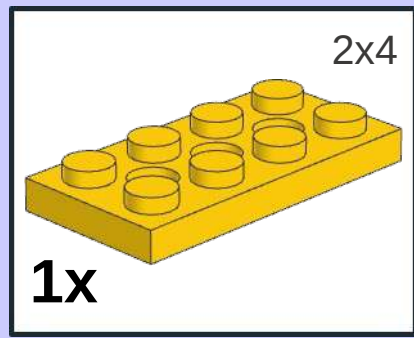


1

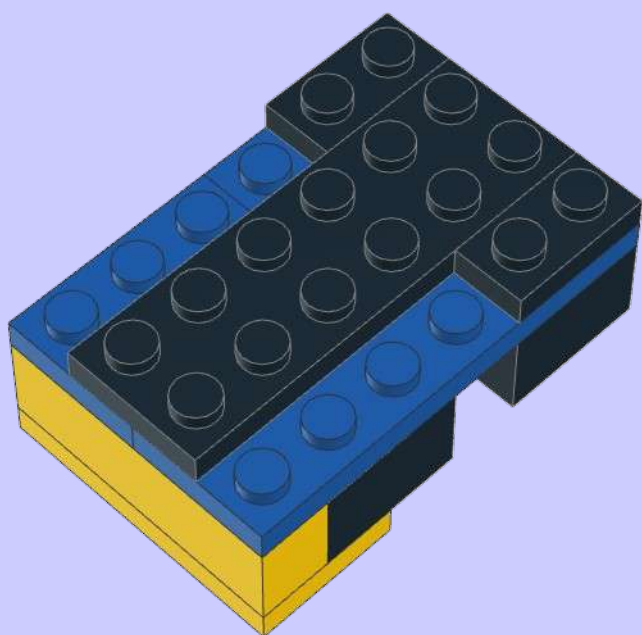
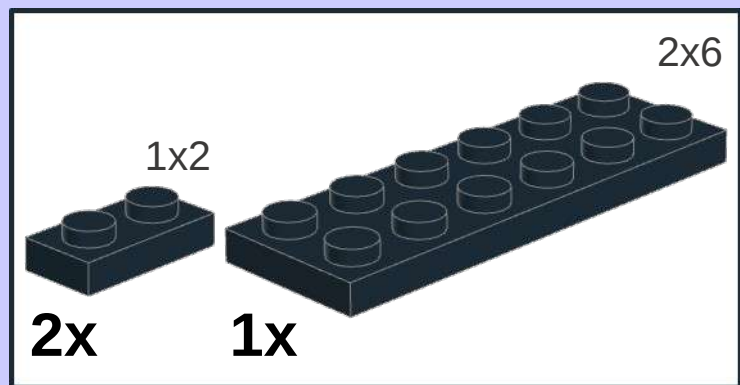




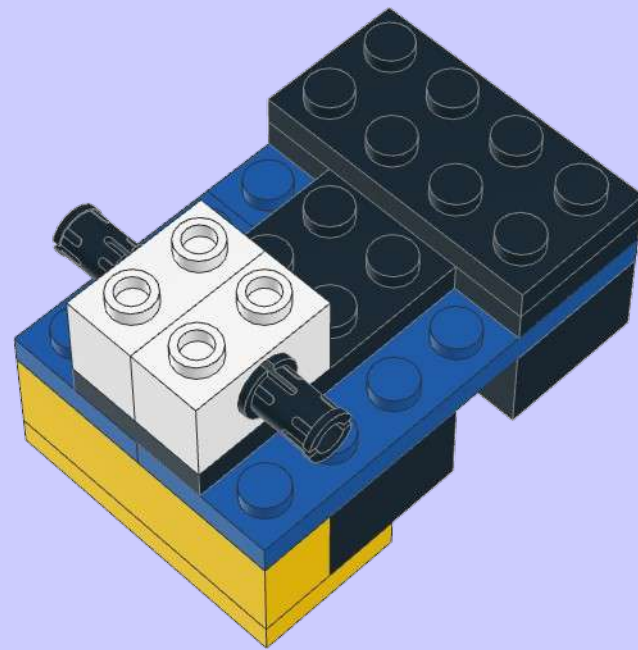
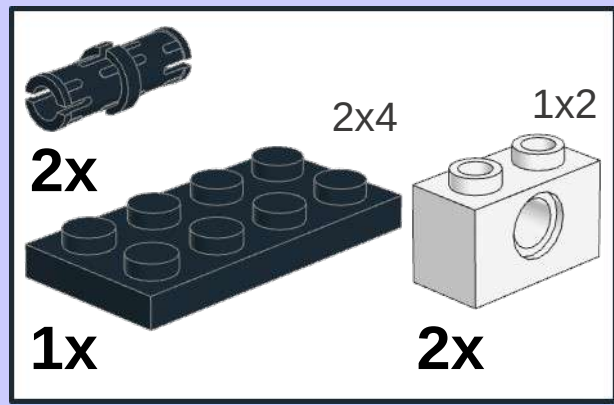
3



4

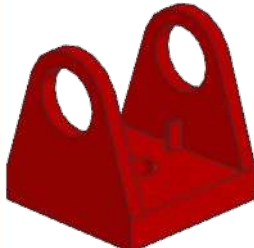


5




6

2x2

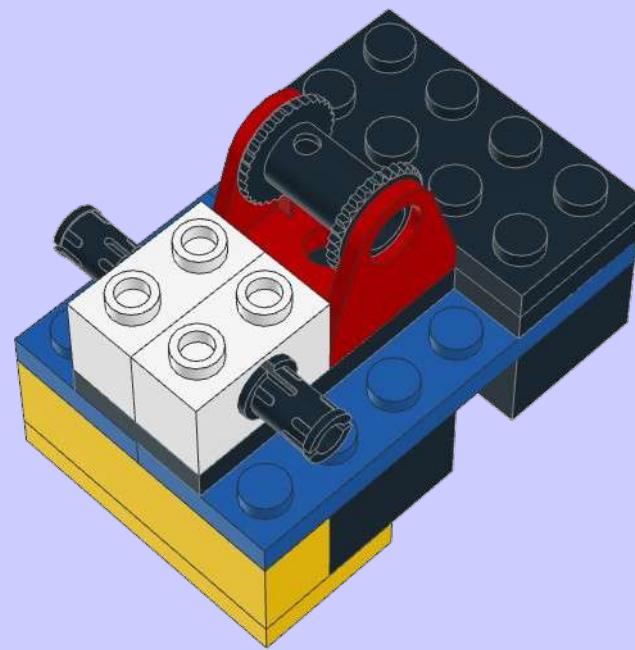


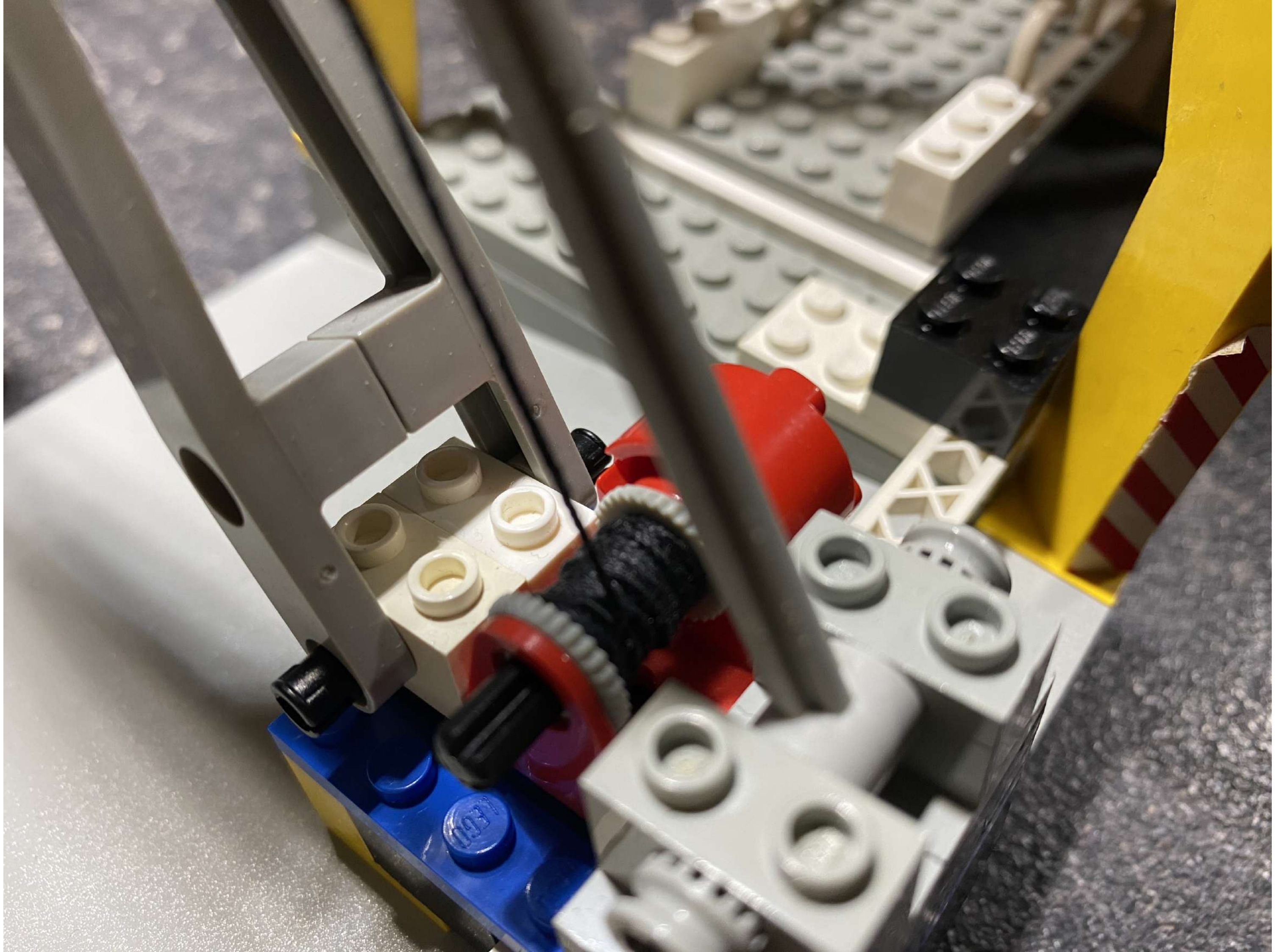
1x

2x2

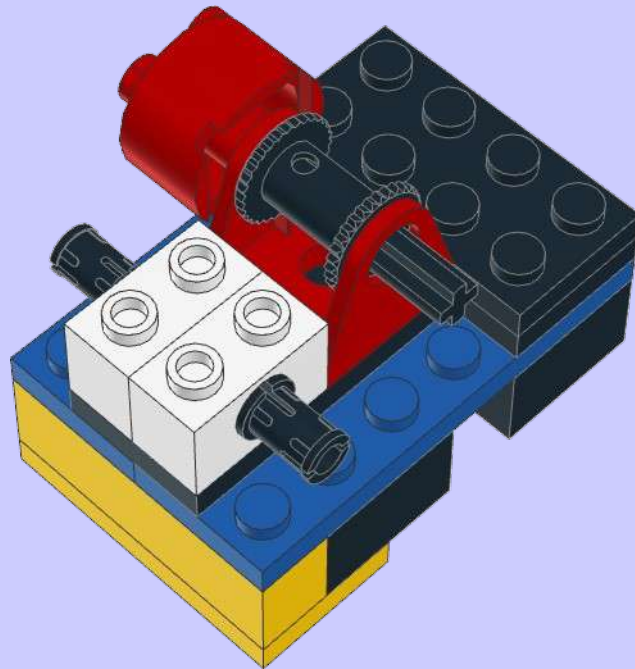
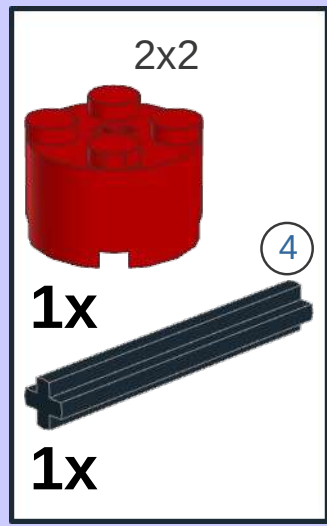


1x

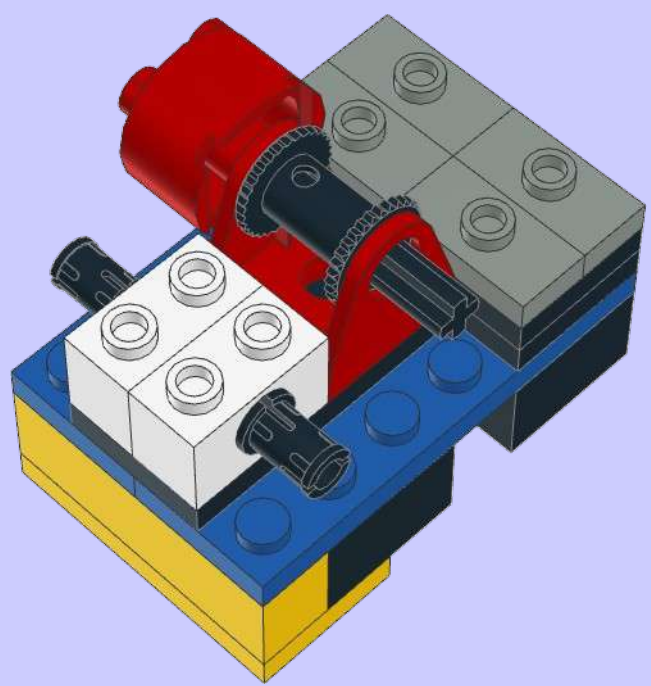
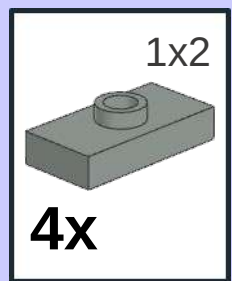




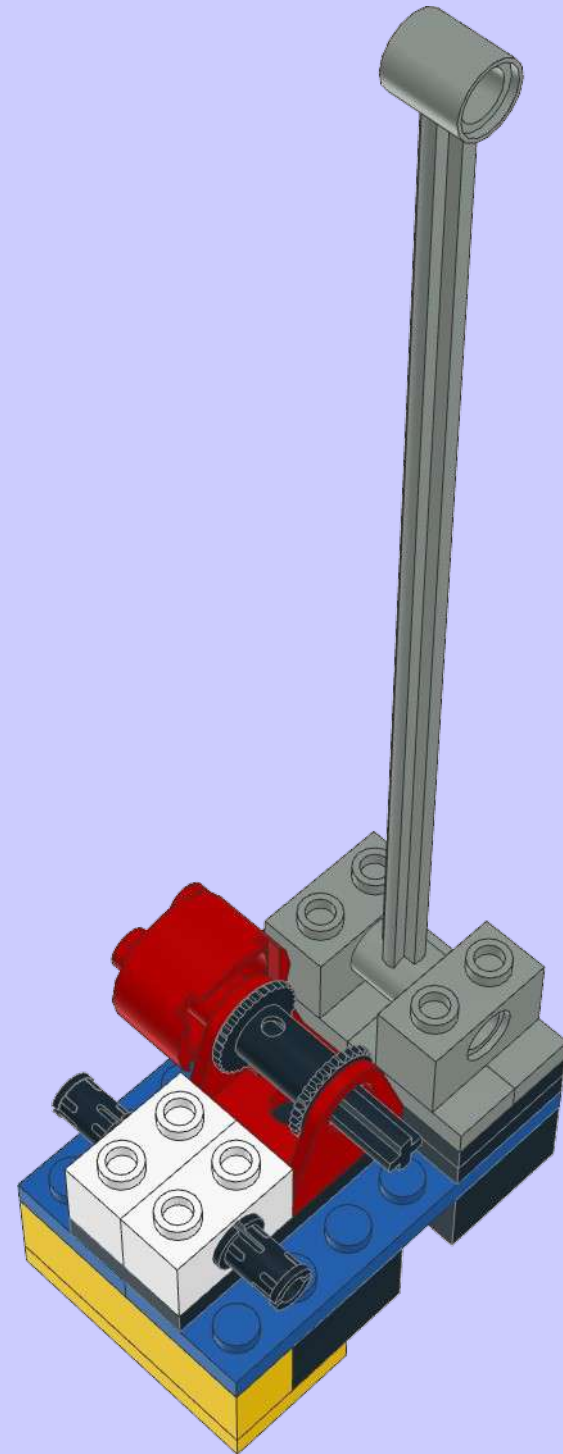
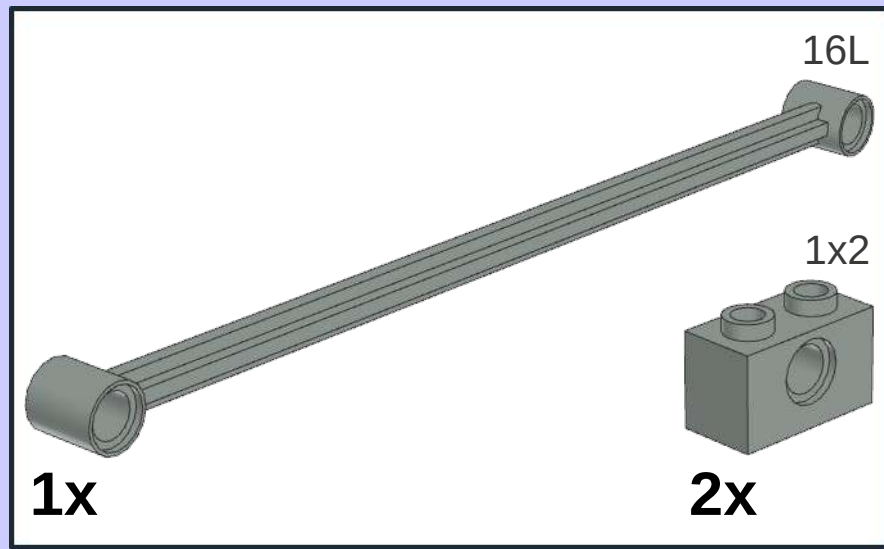
7



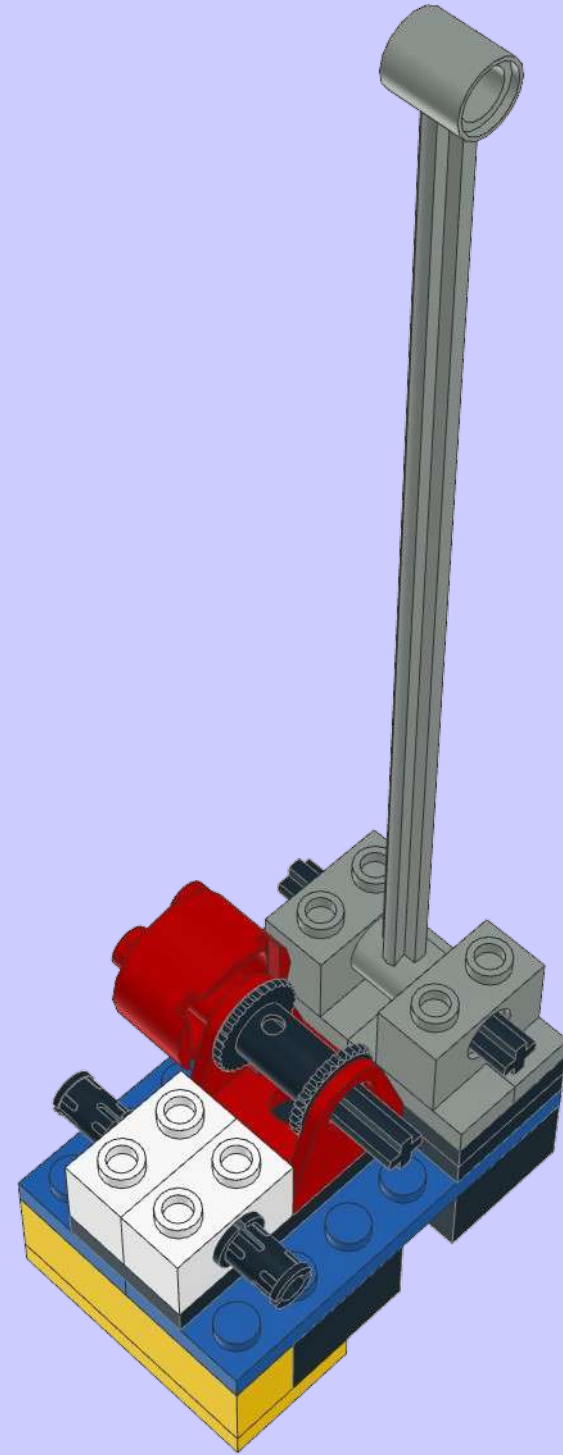
8



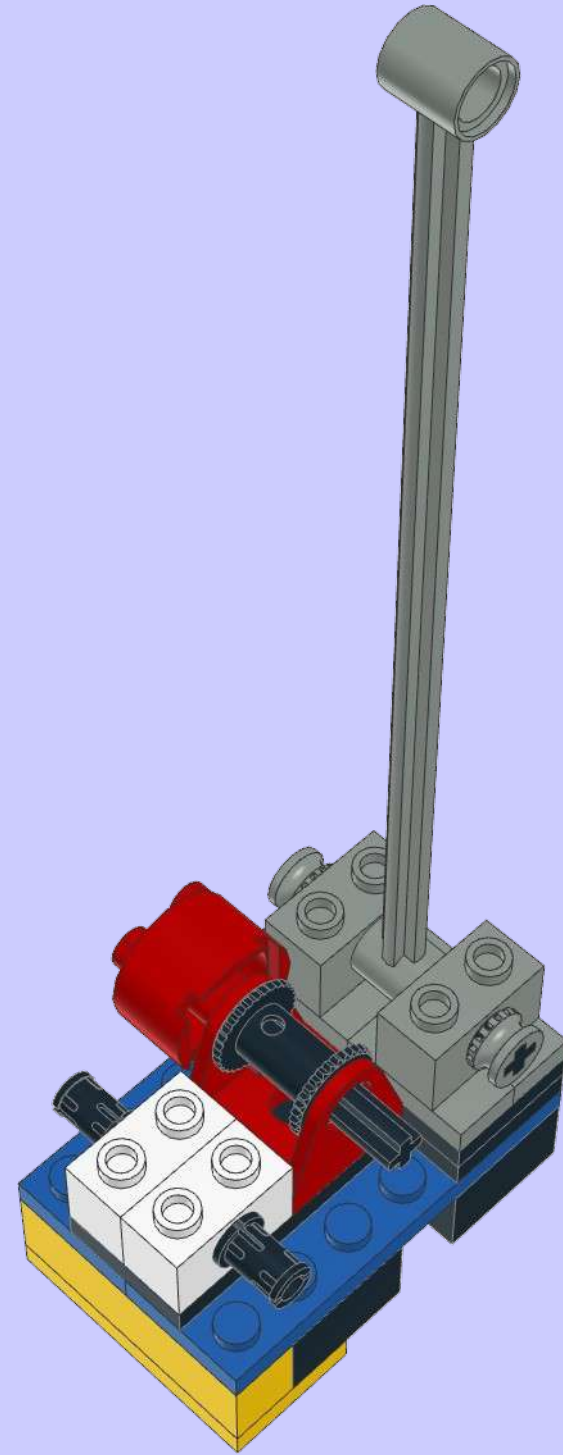
9



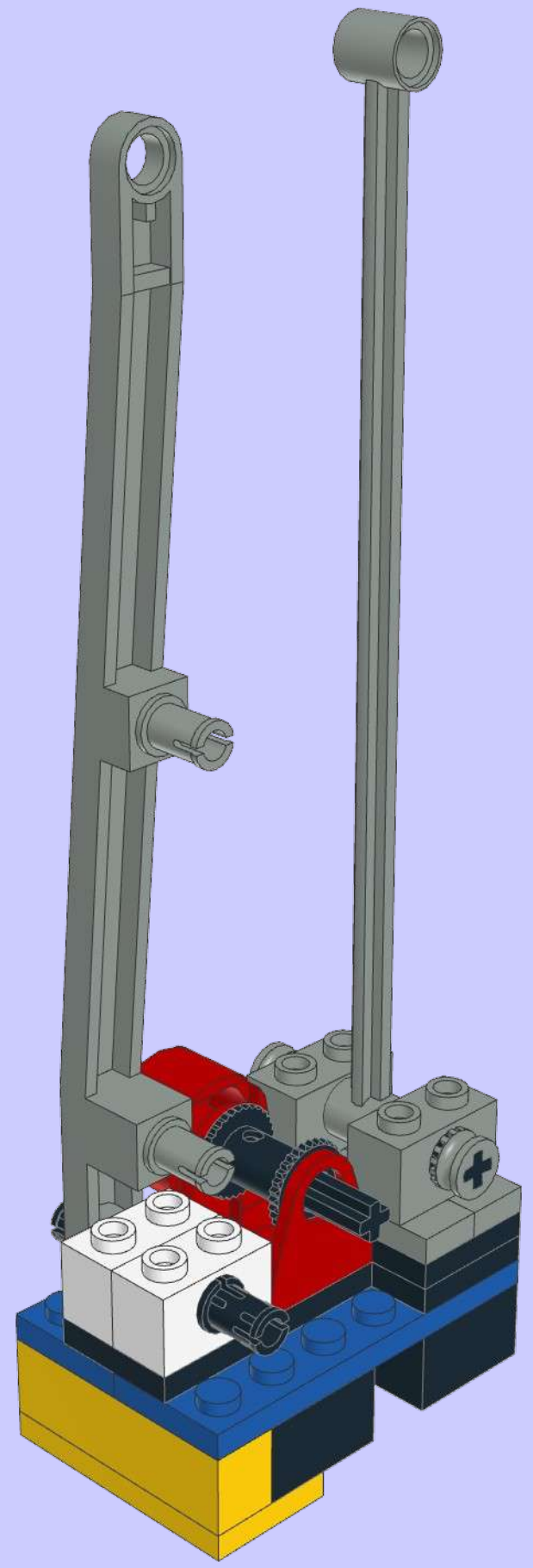
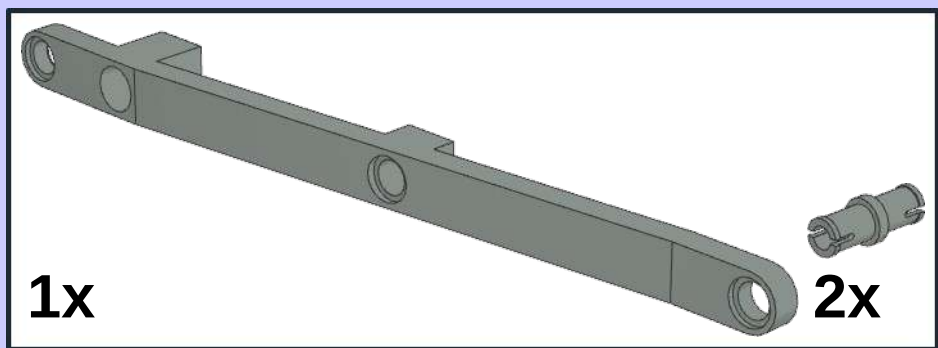
10



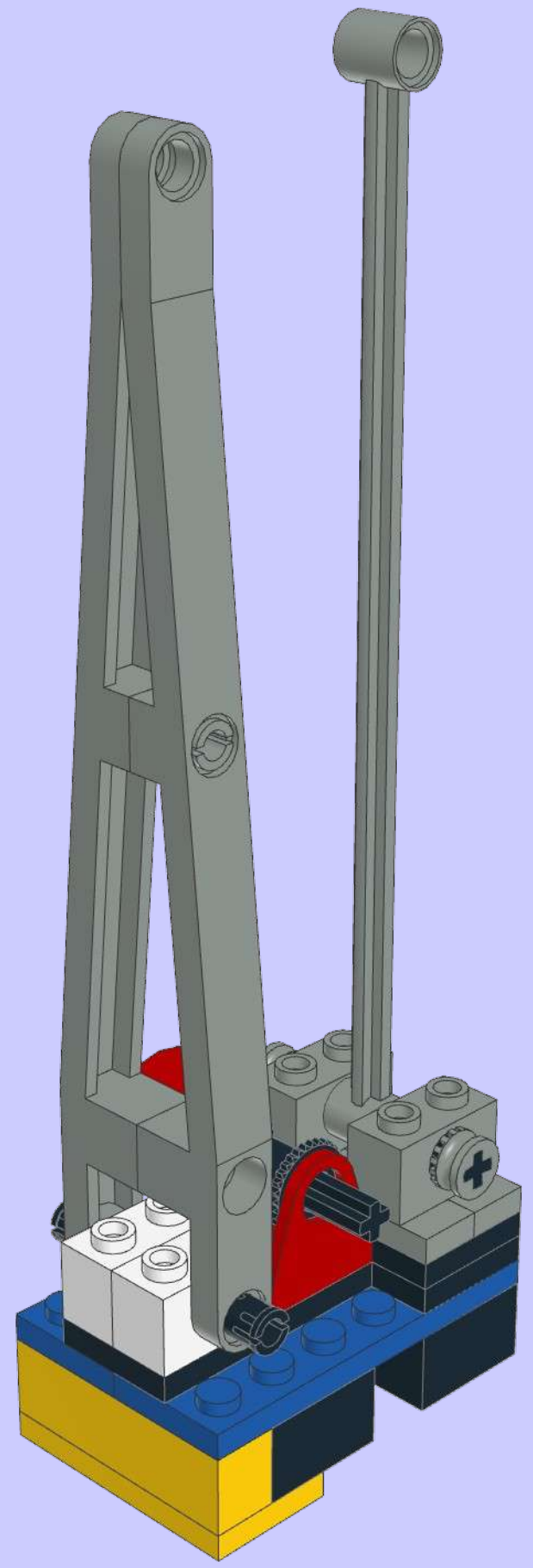
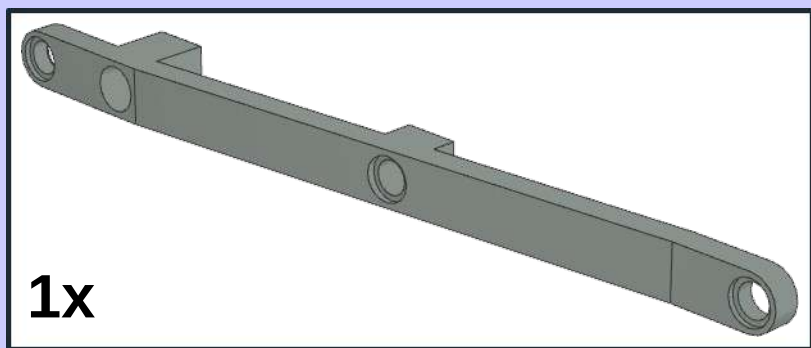
11



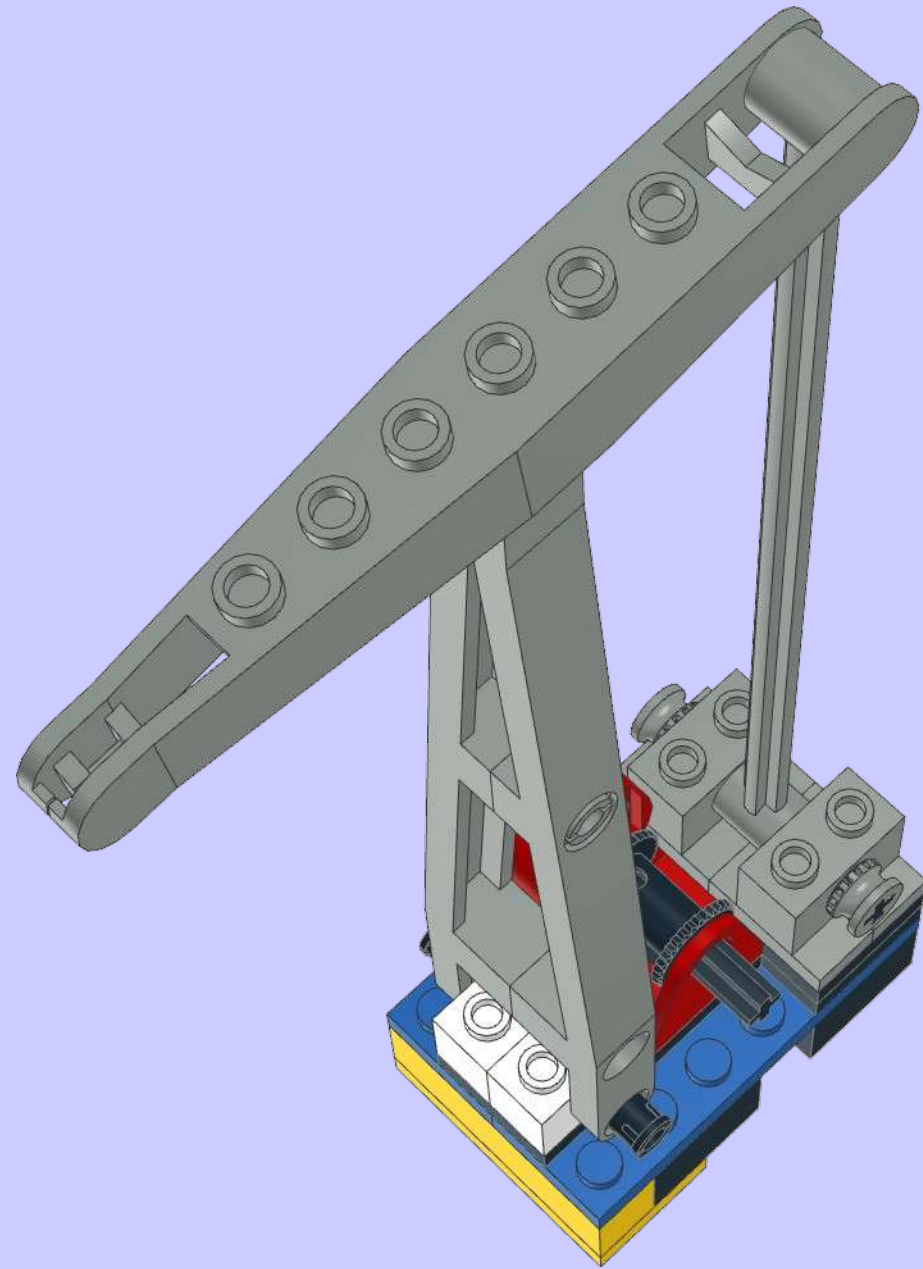
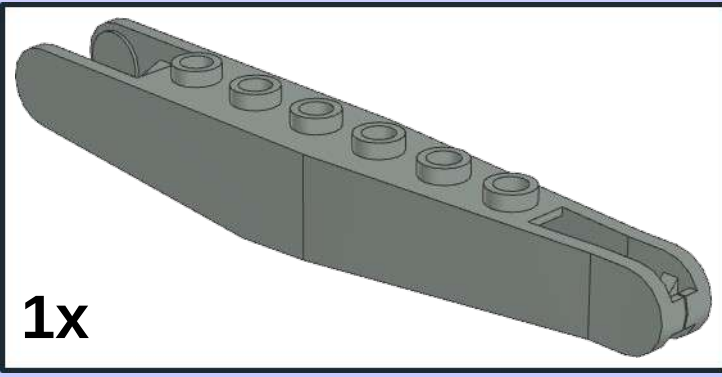
12



13

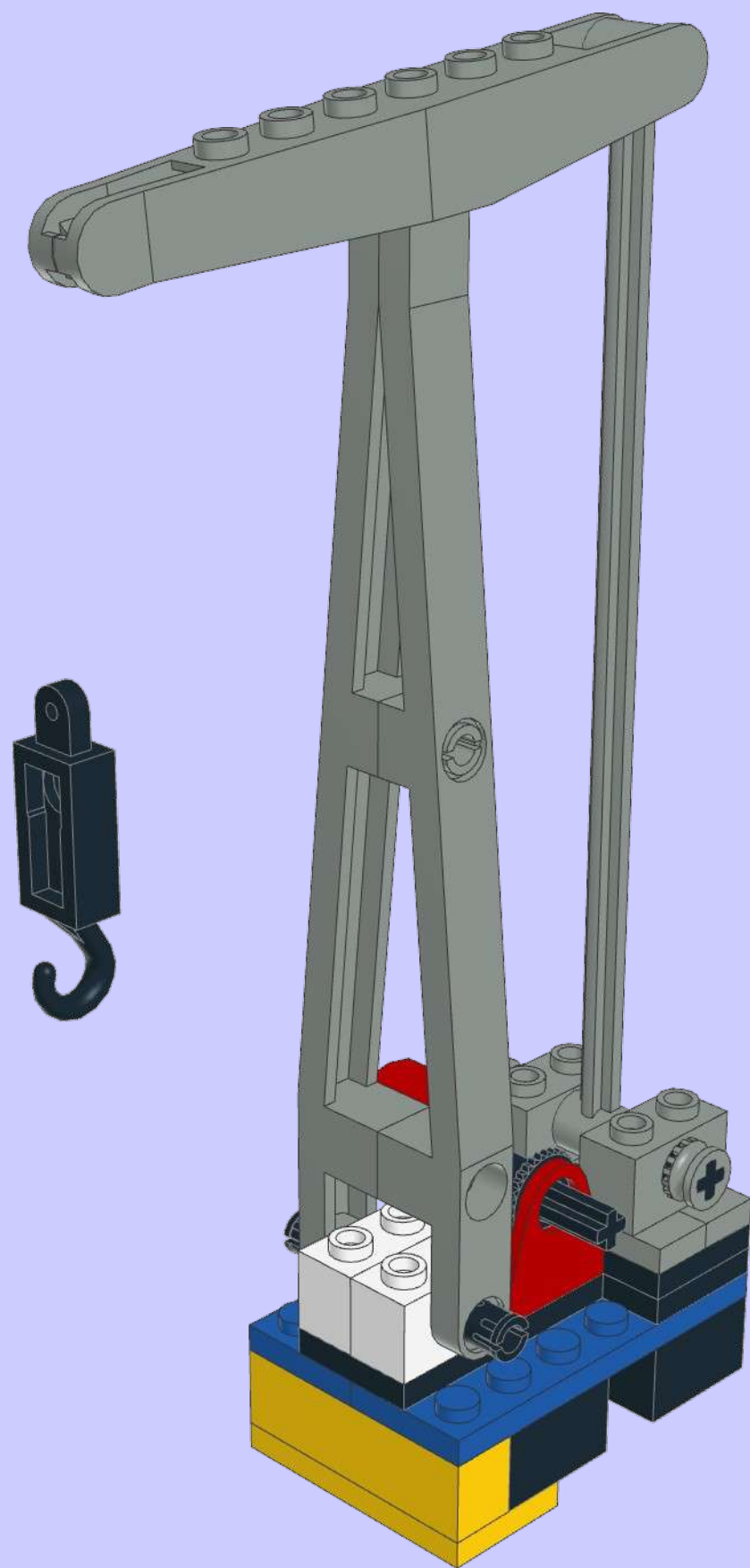


14

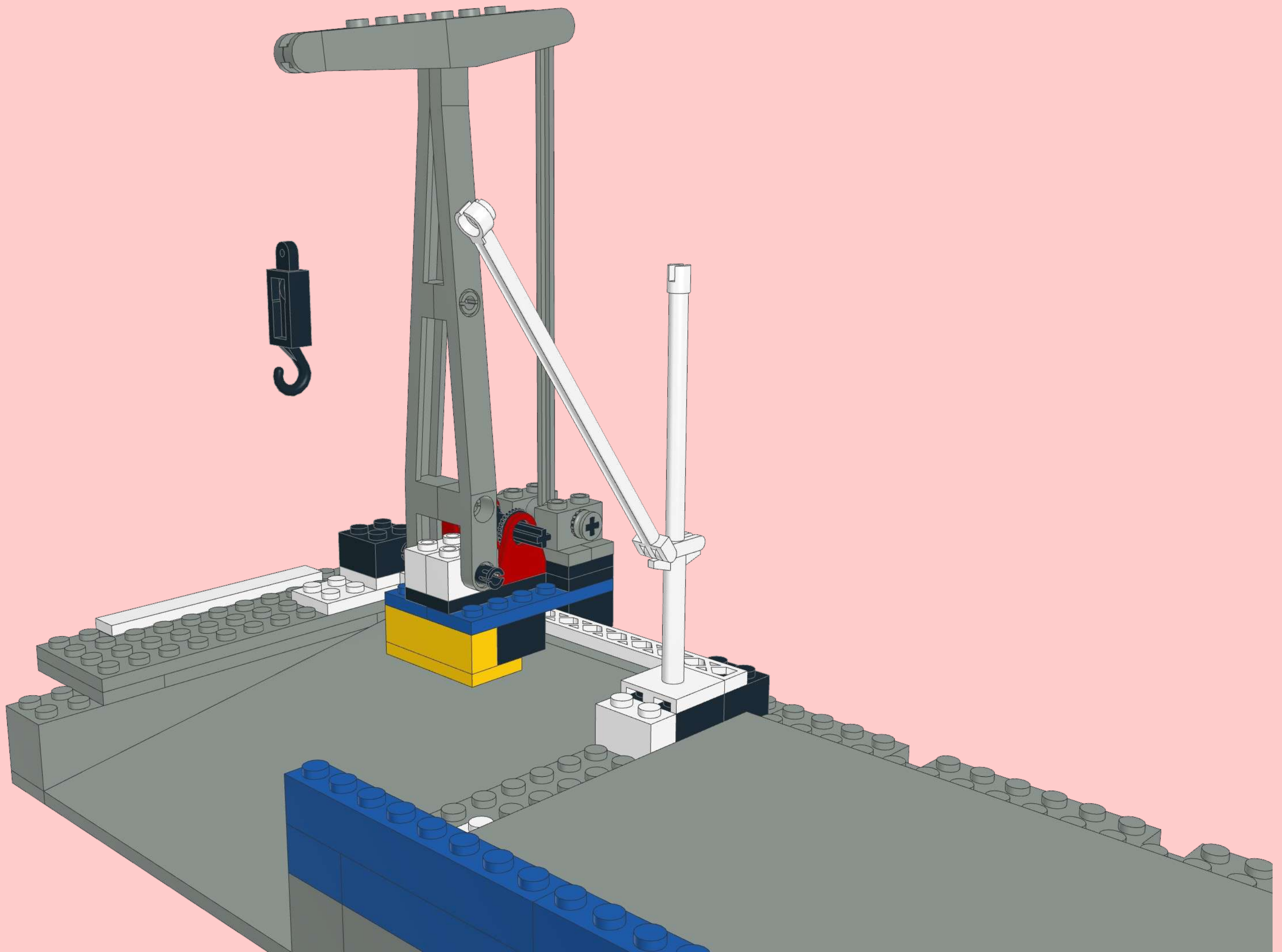




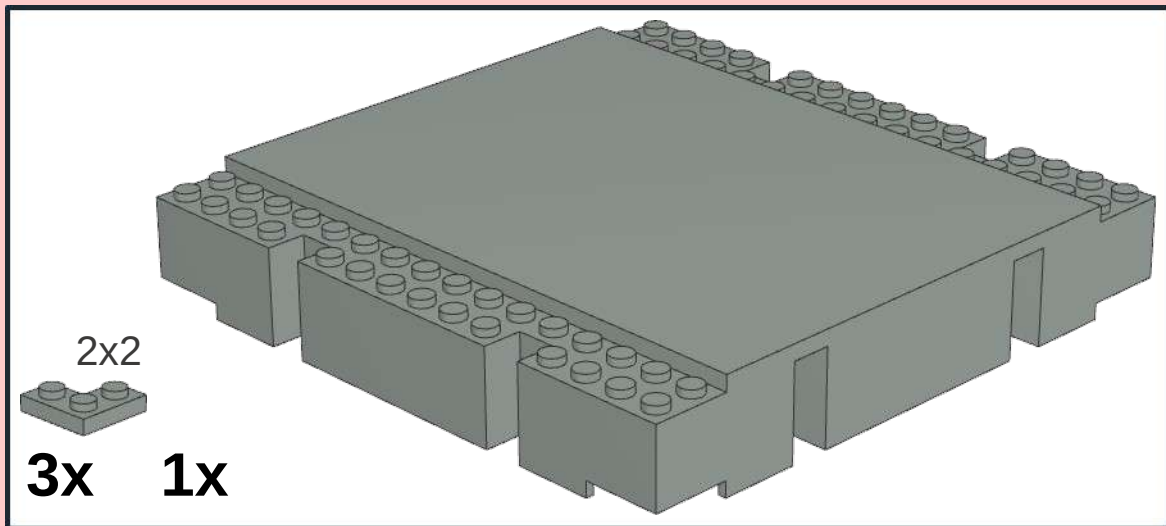
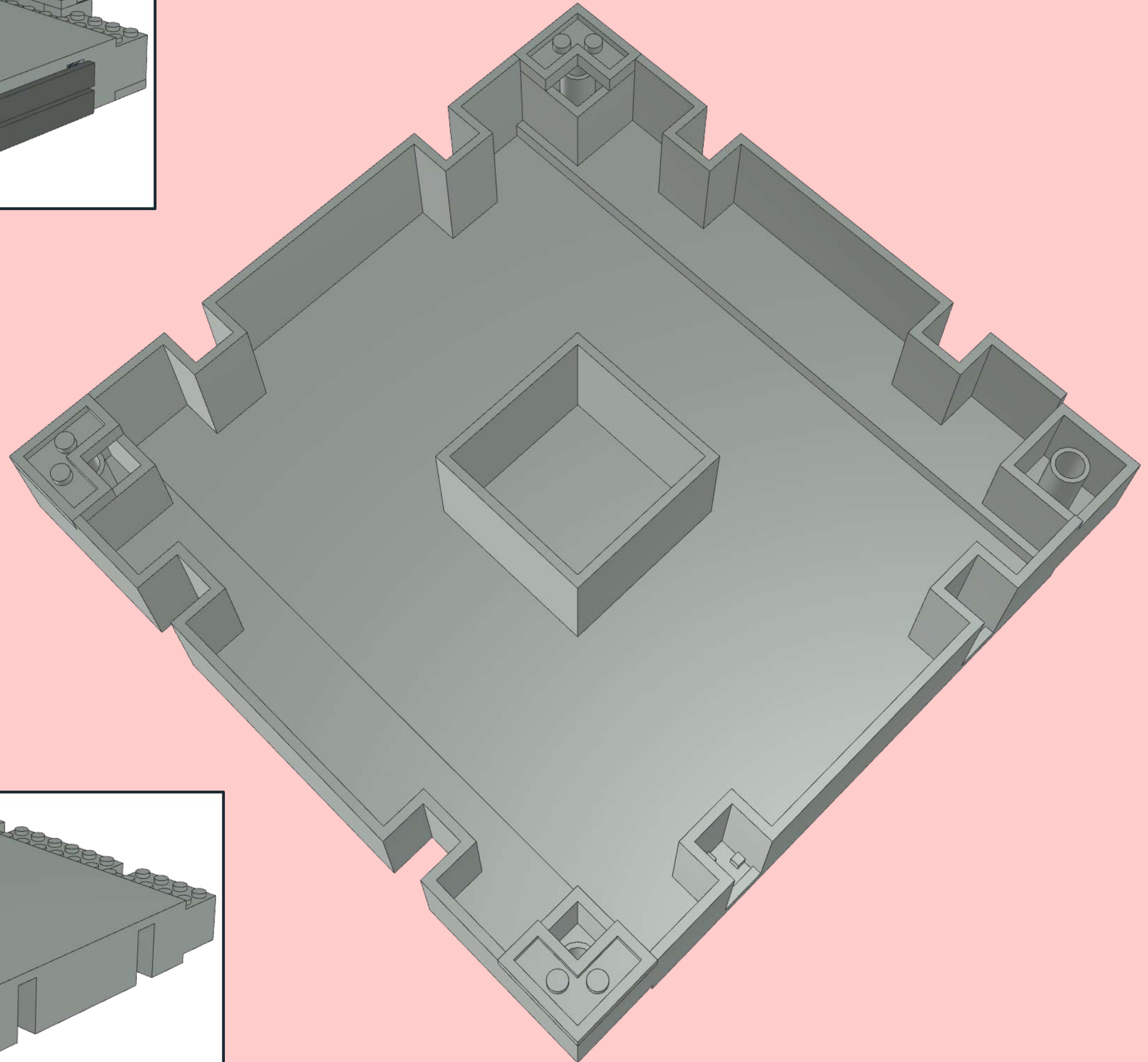
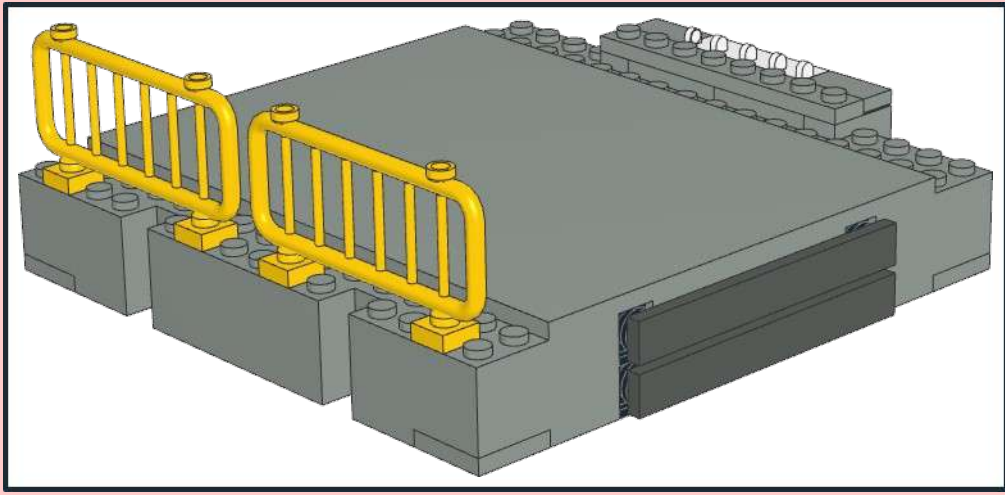
15



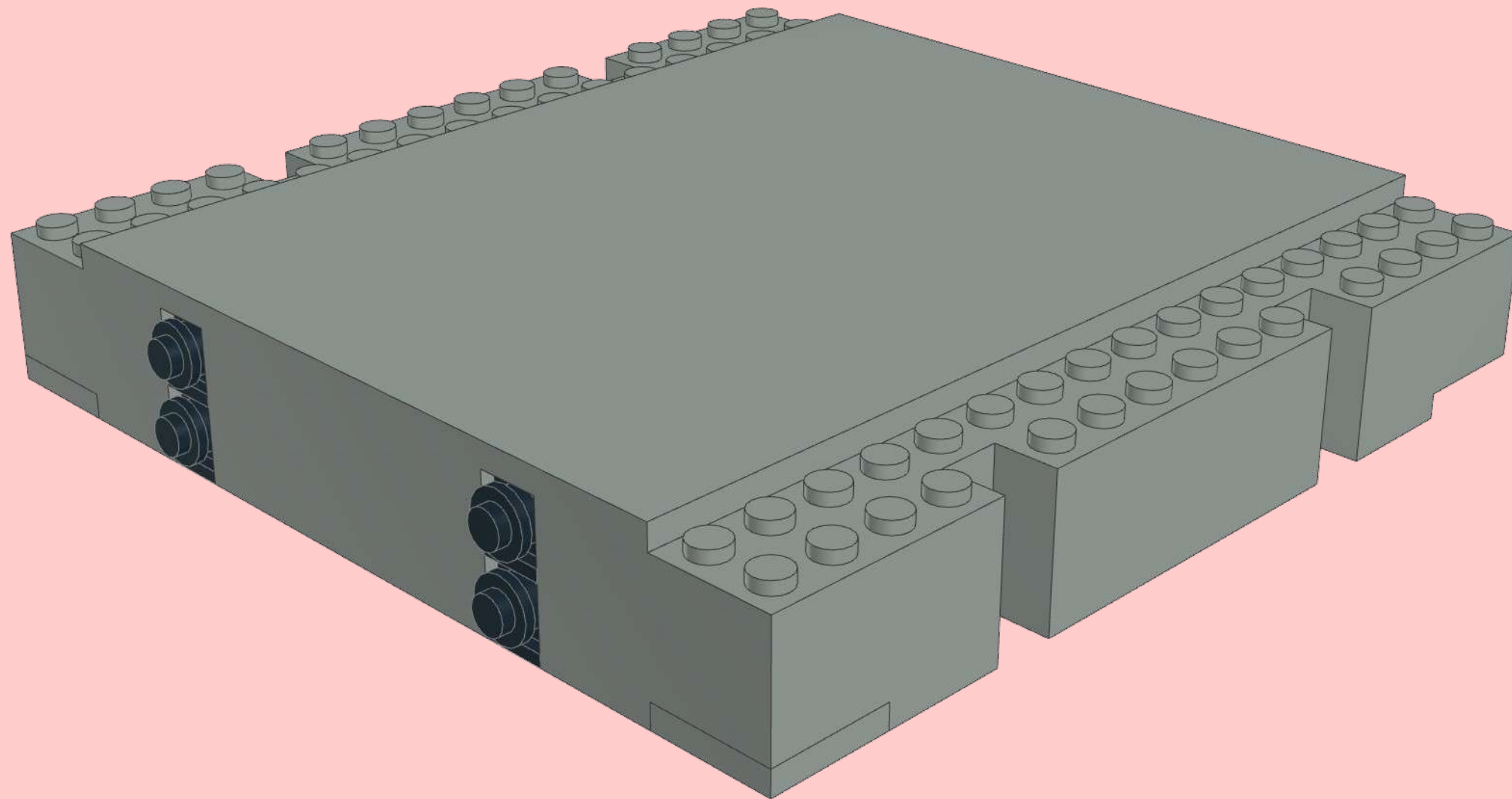
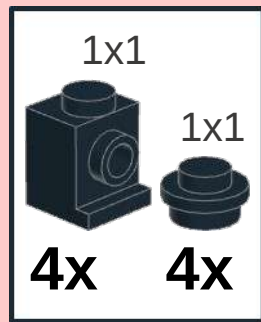




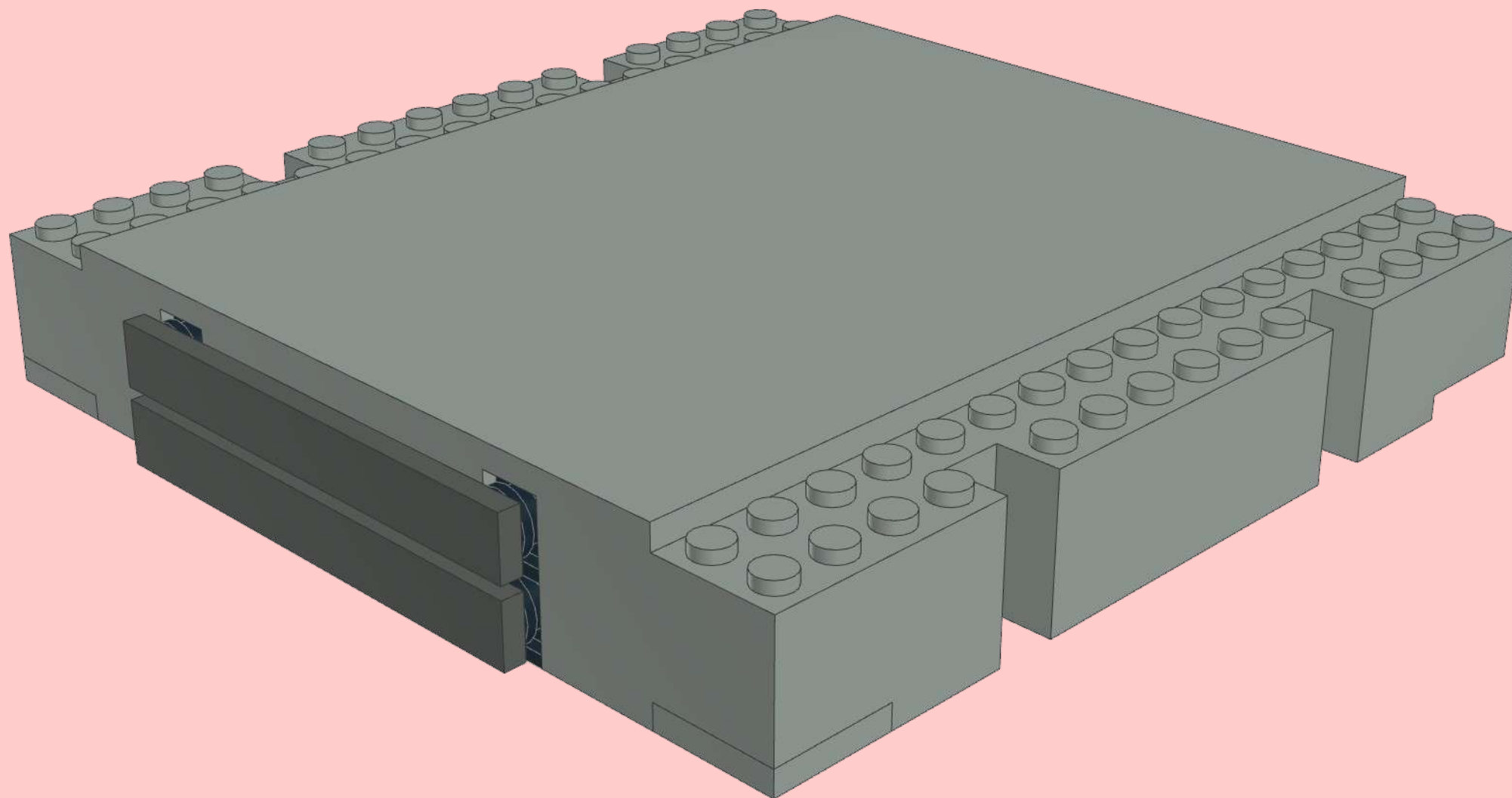
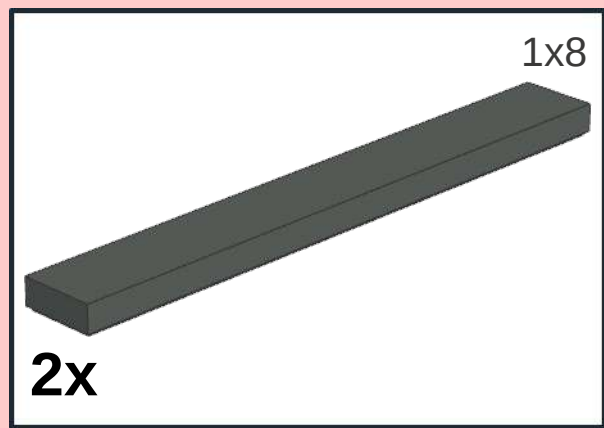
1



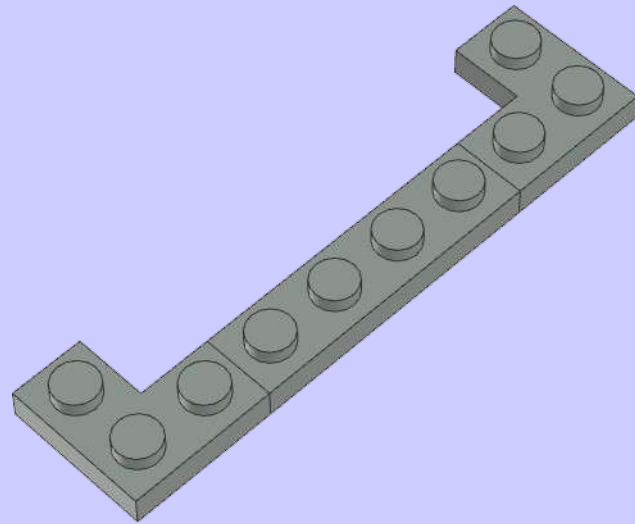
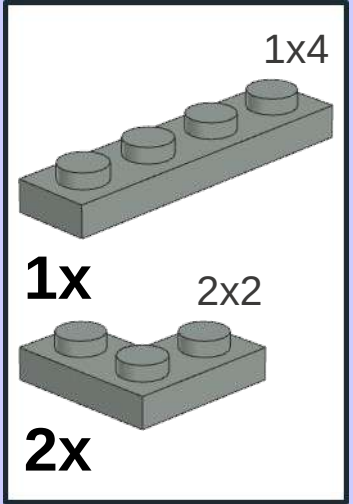
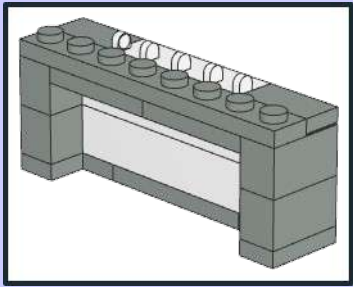
2



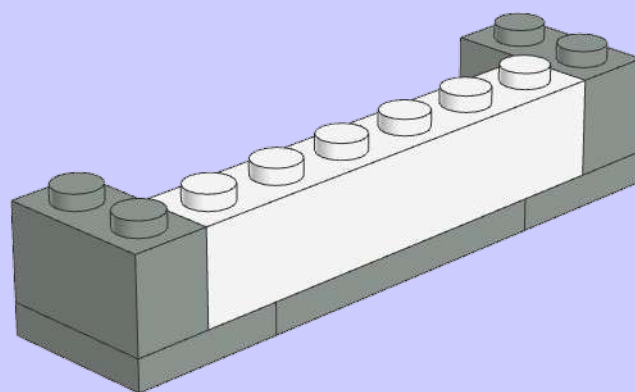
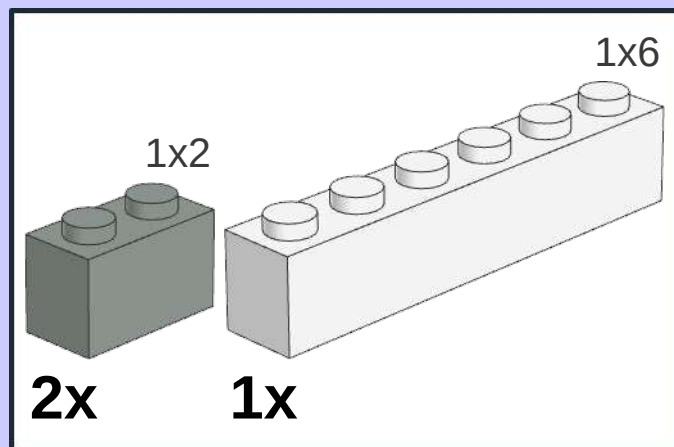
3



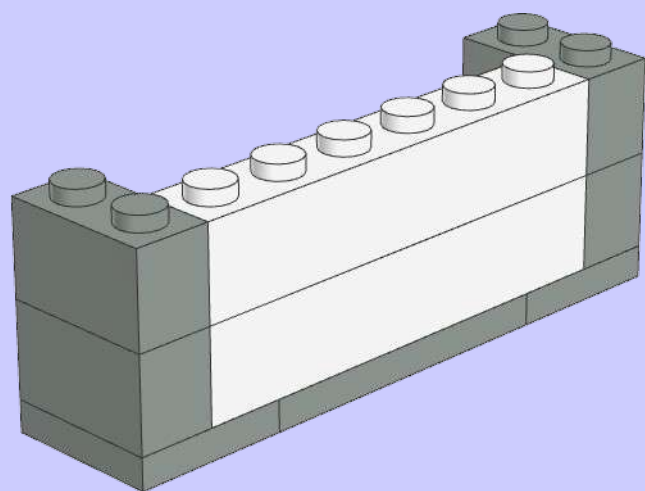
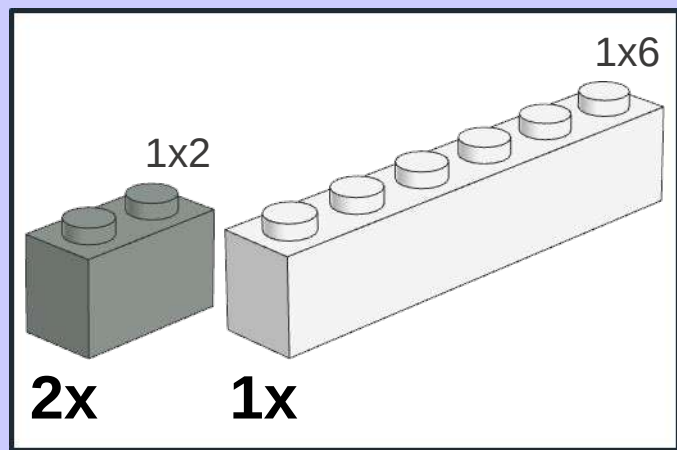
1



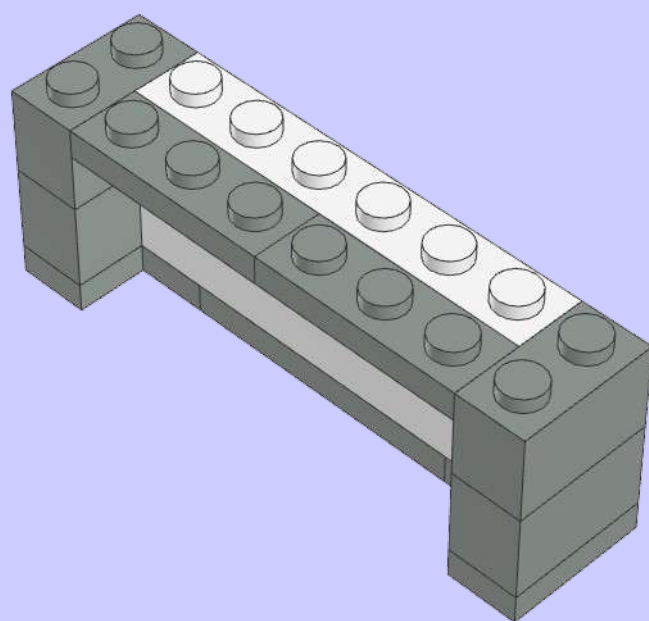
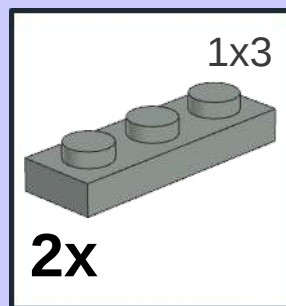
2



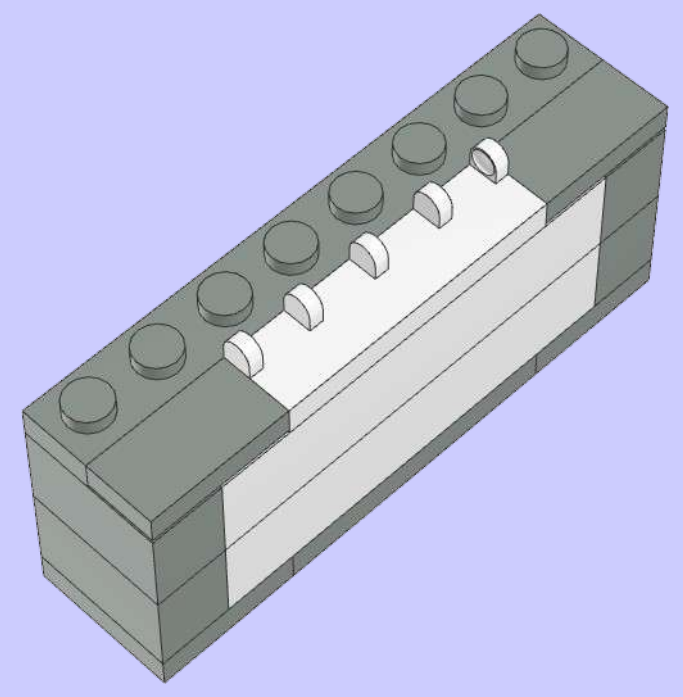
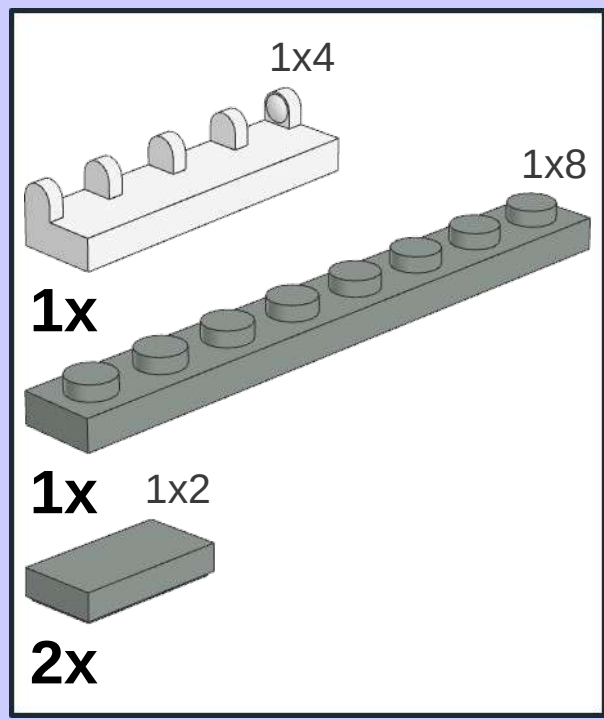
3



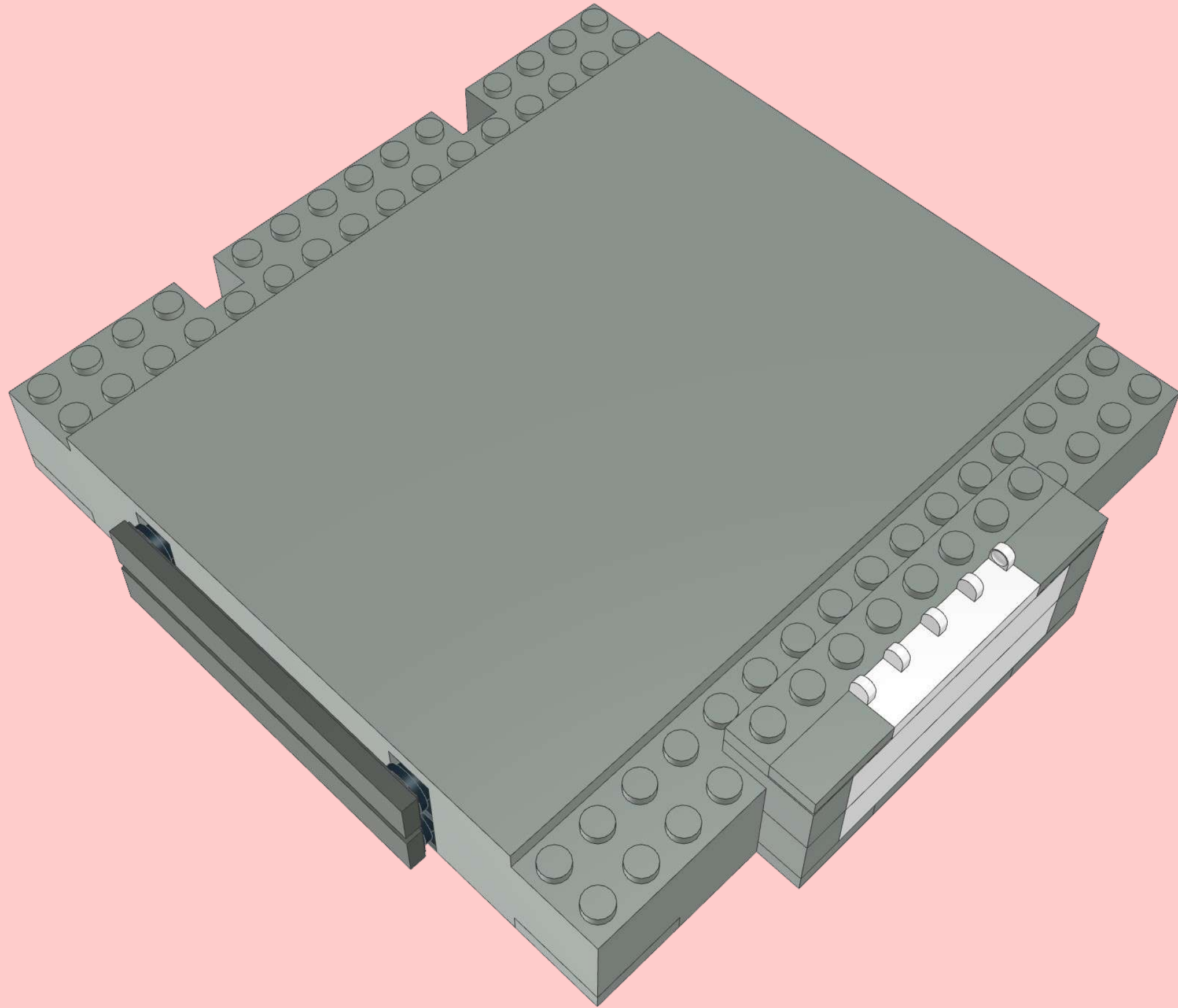
4



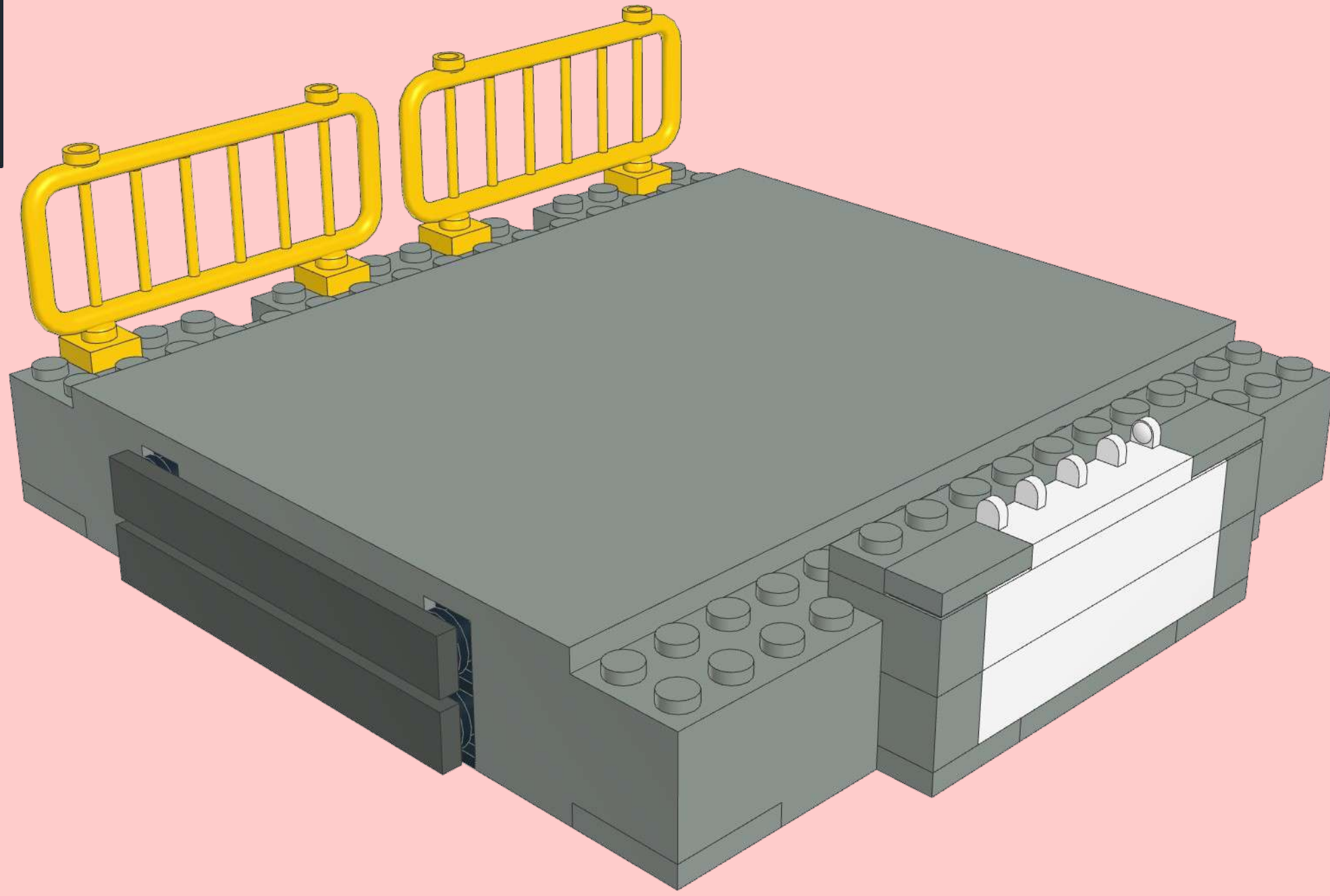
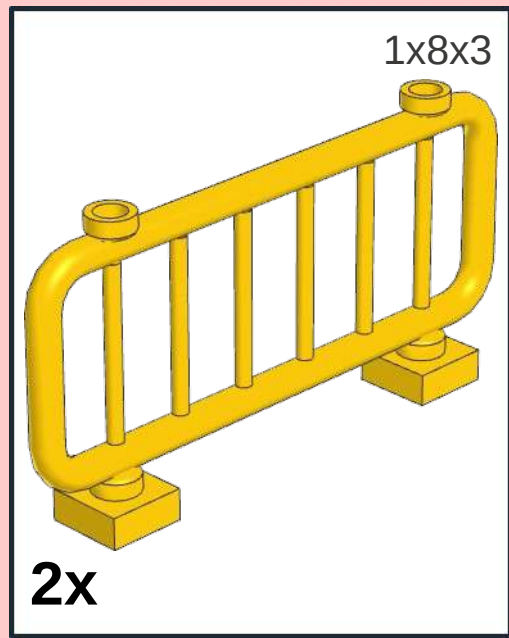
5



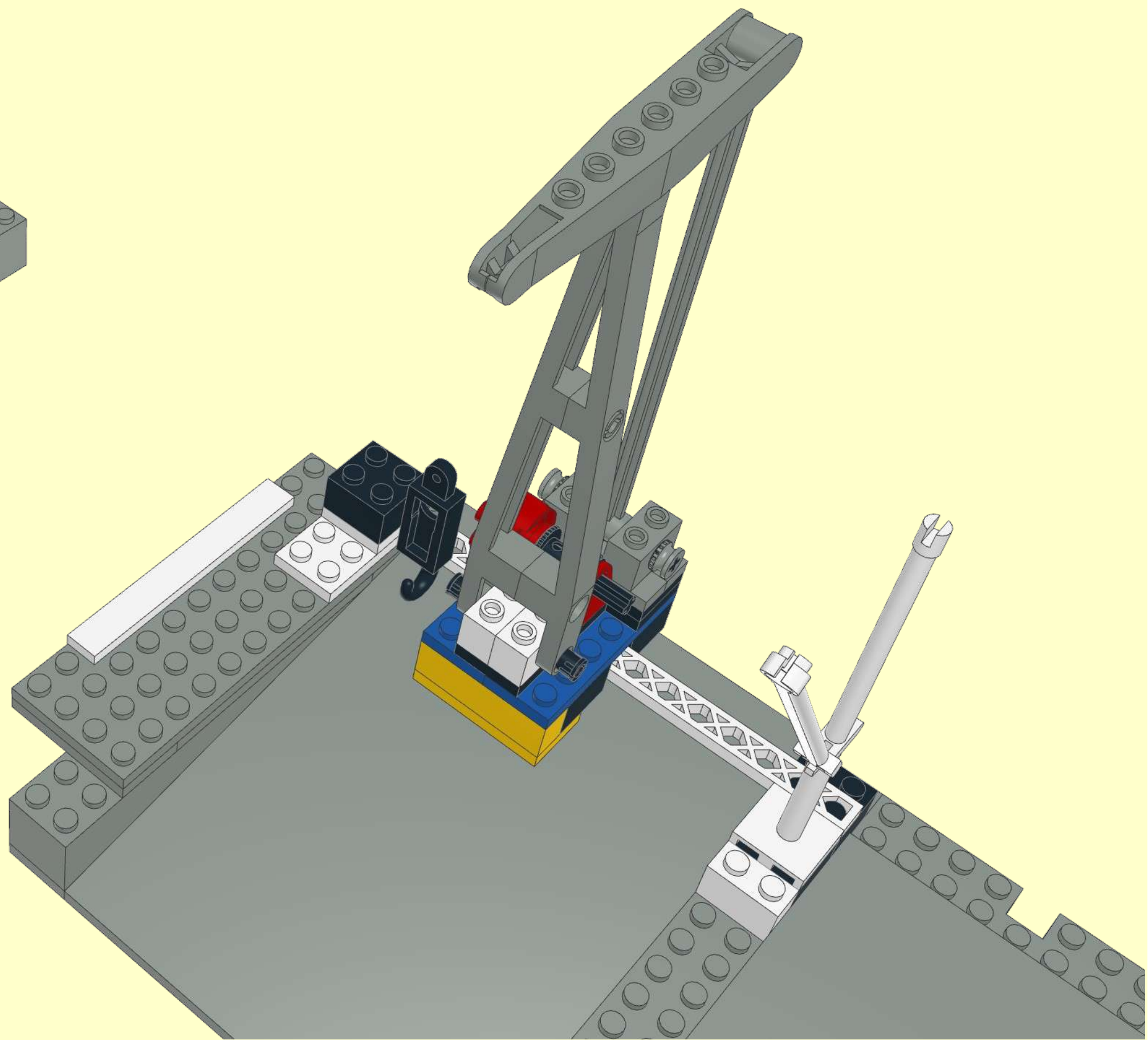
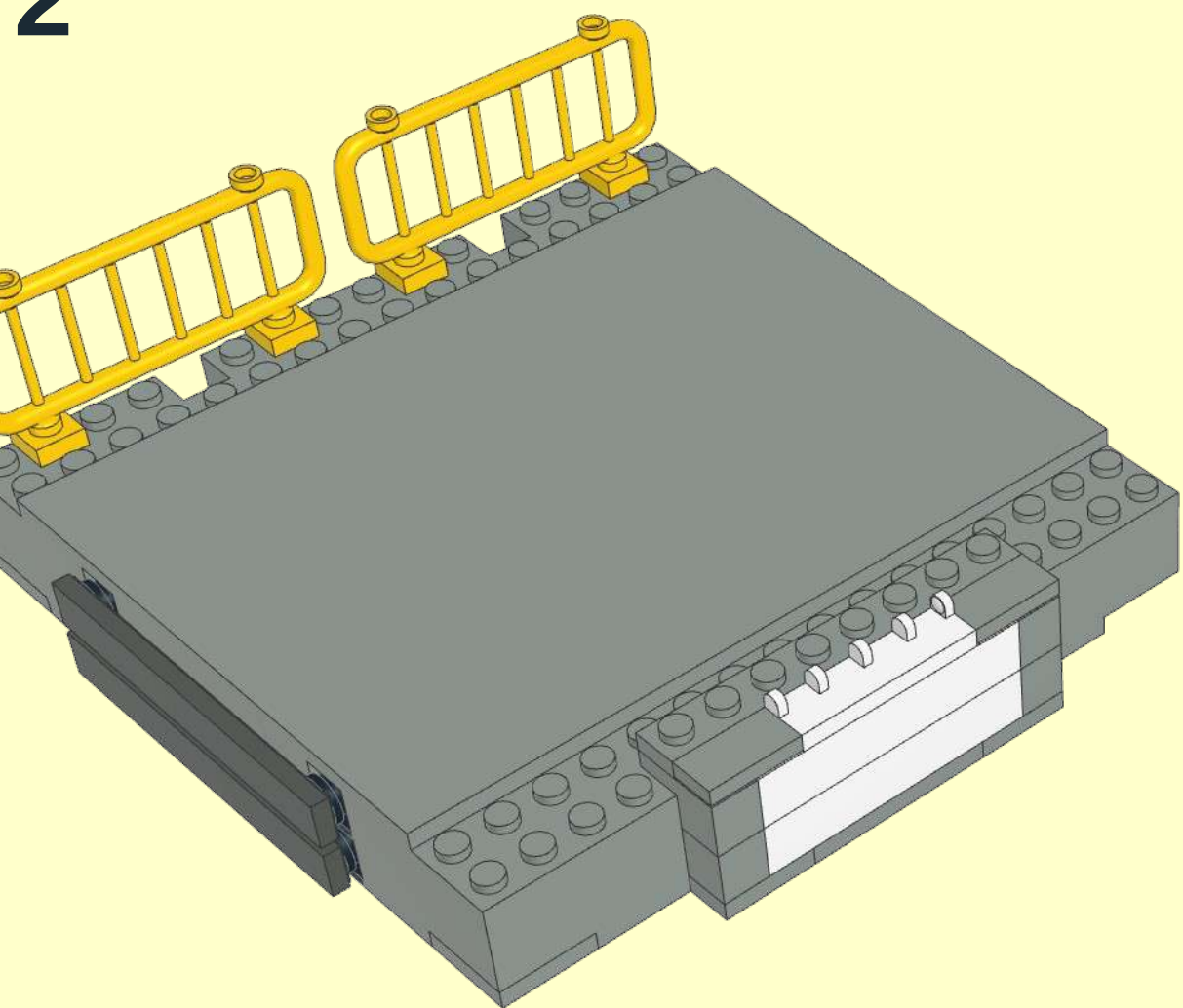
4



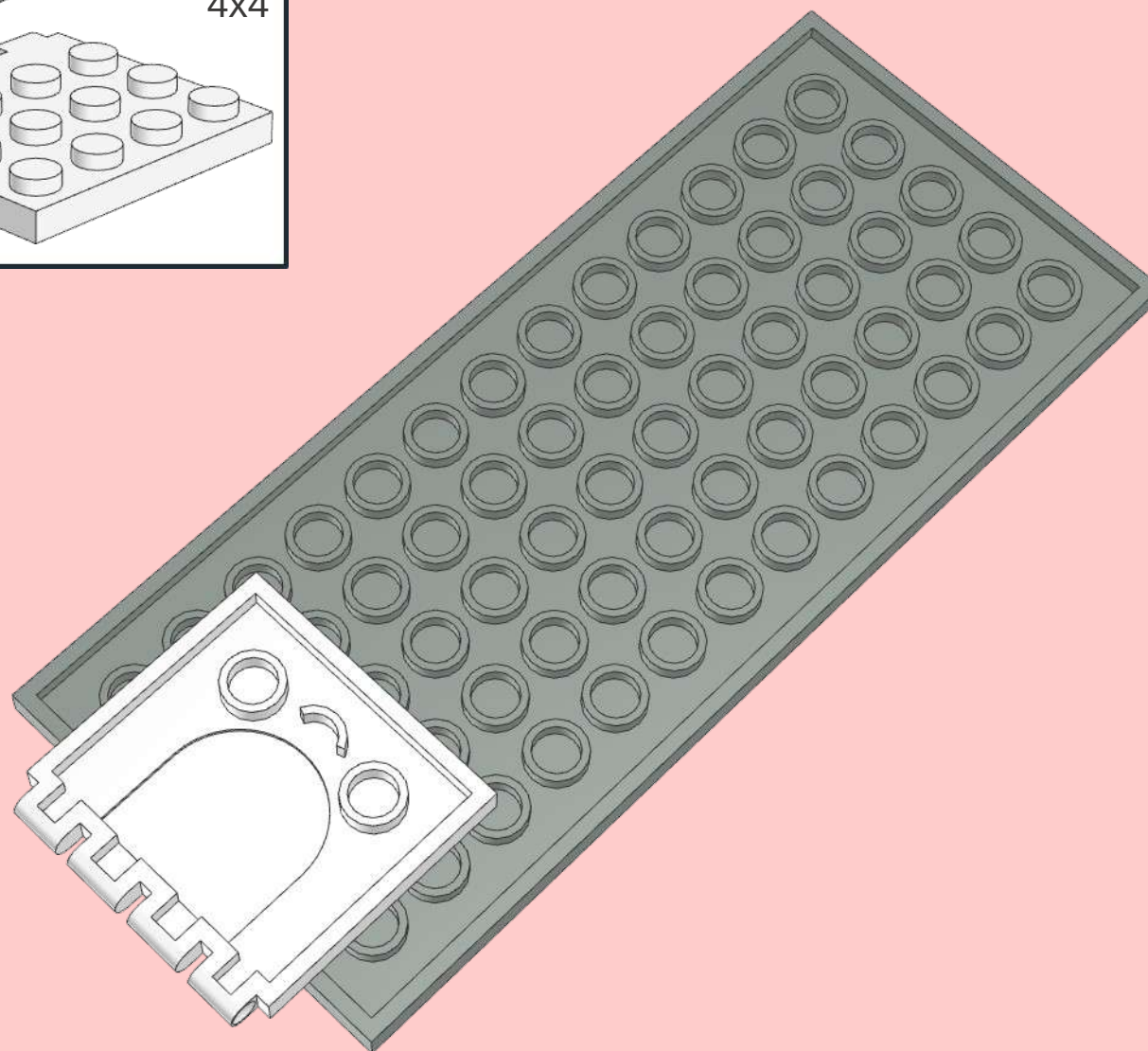
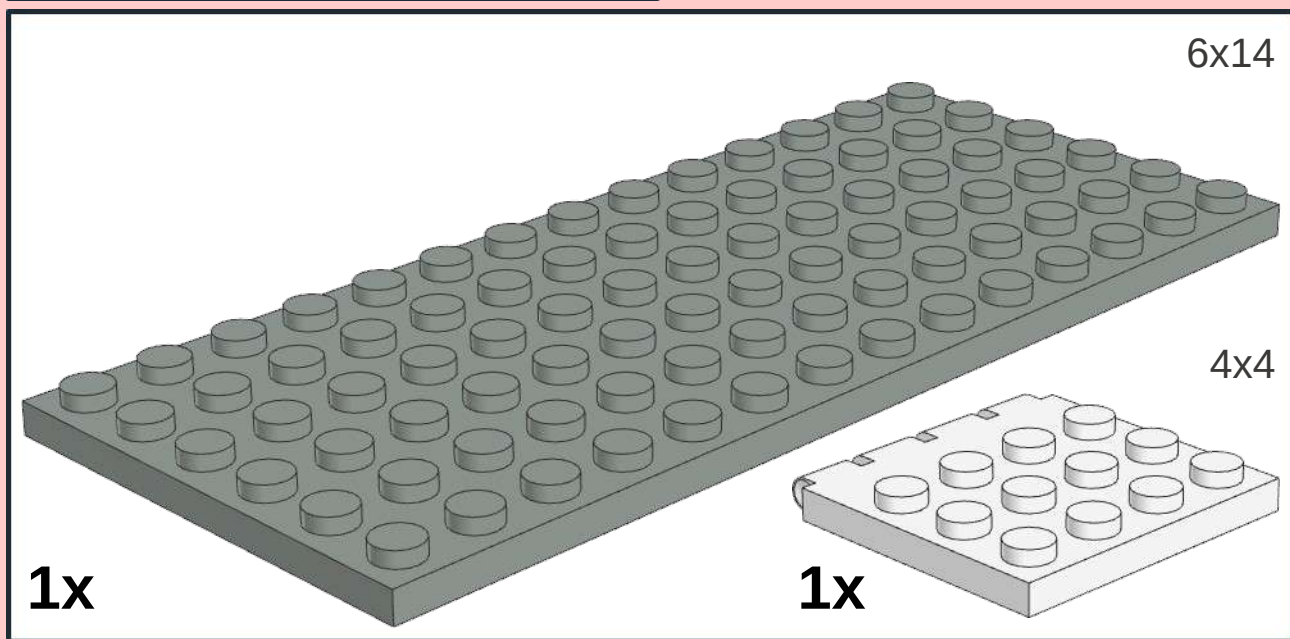
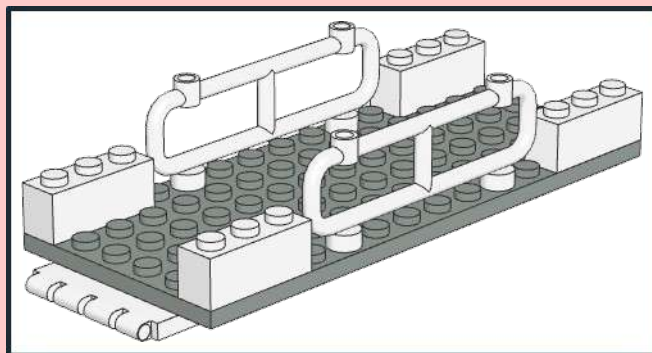
5



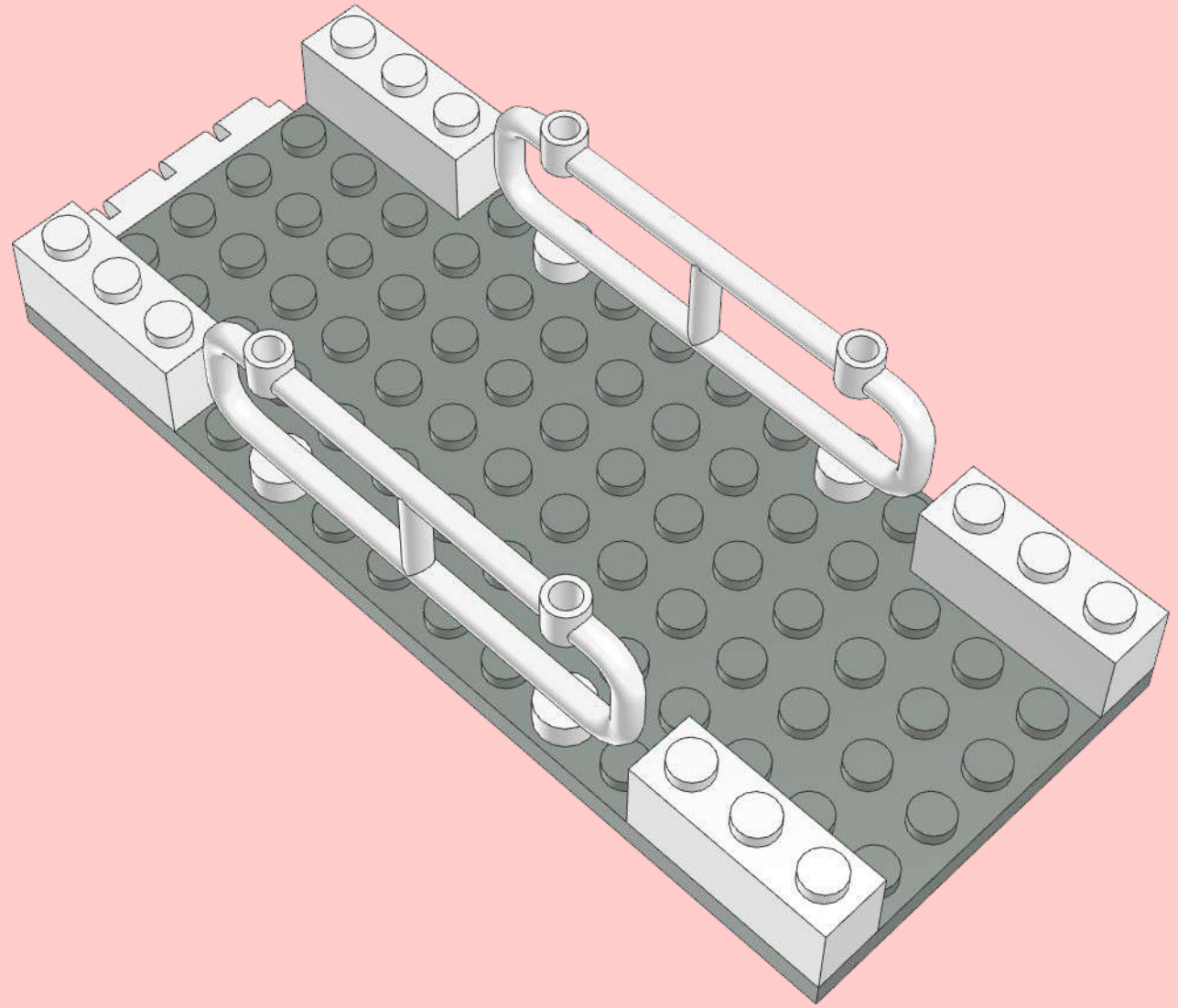
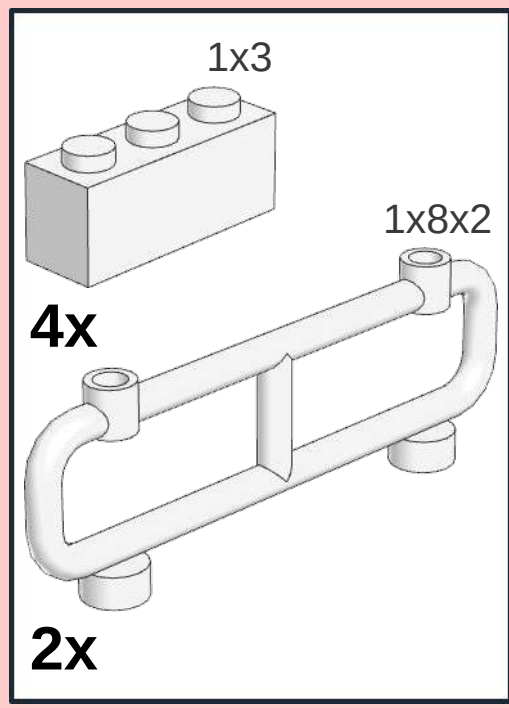
2



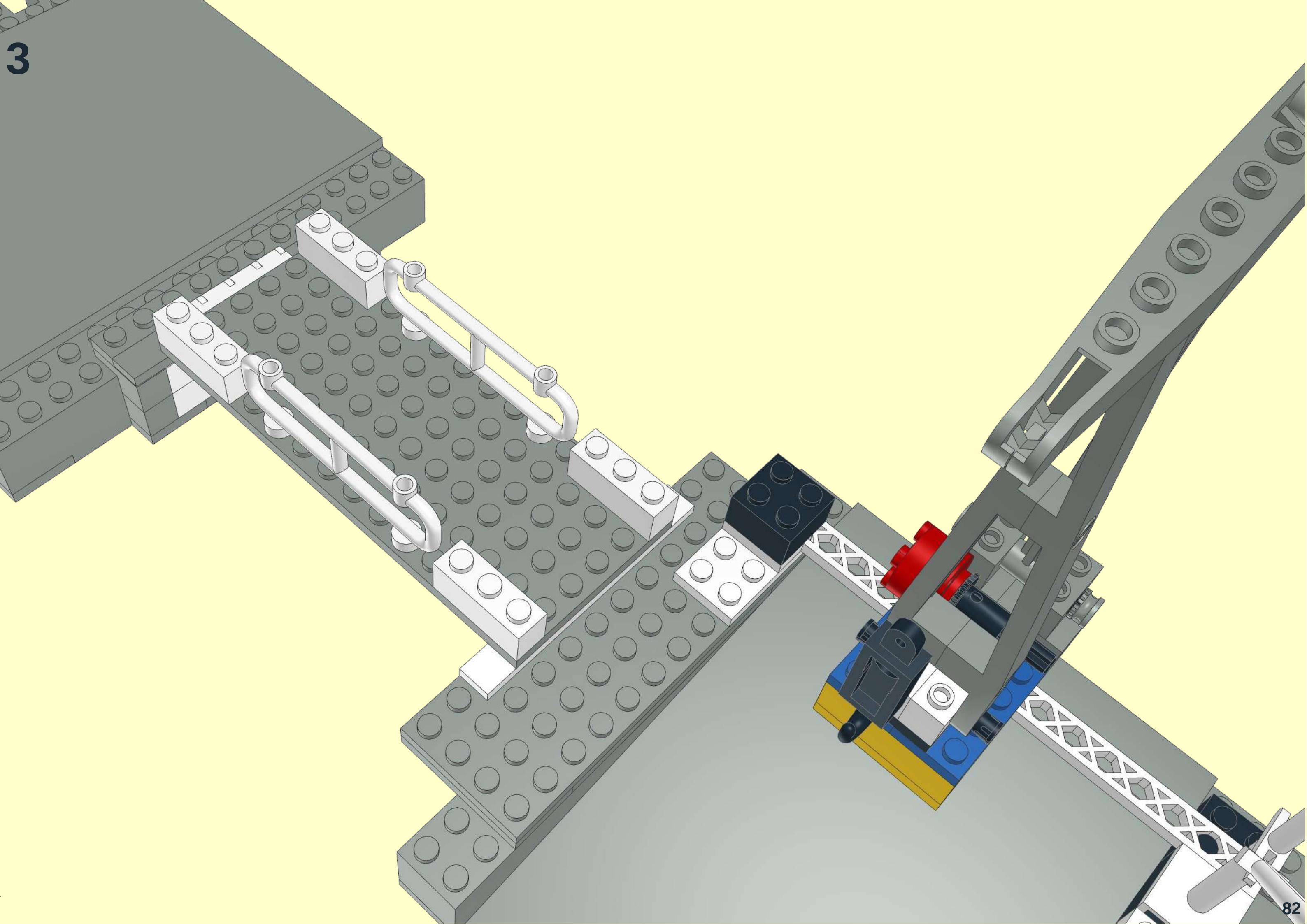
1



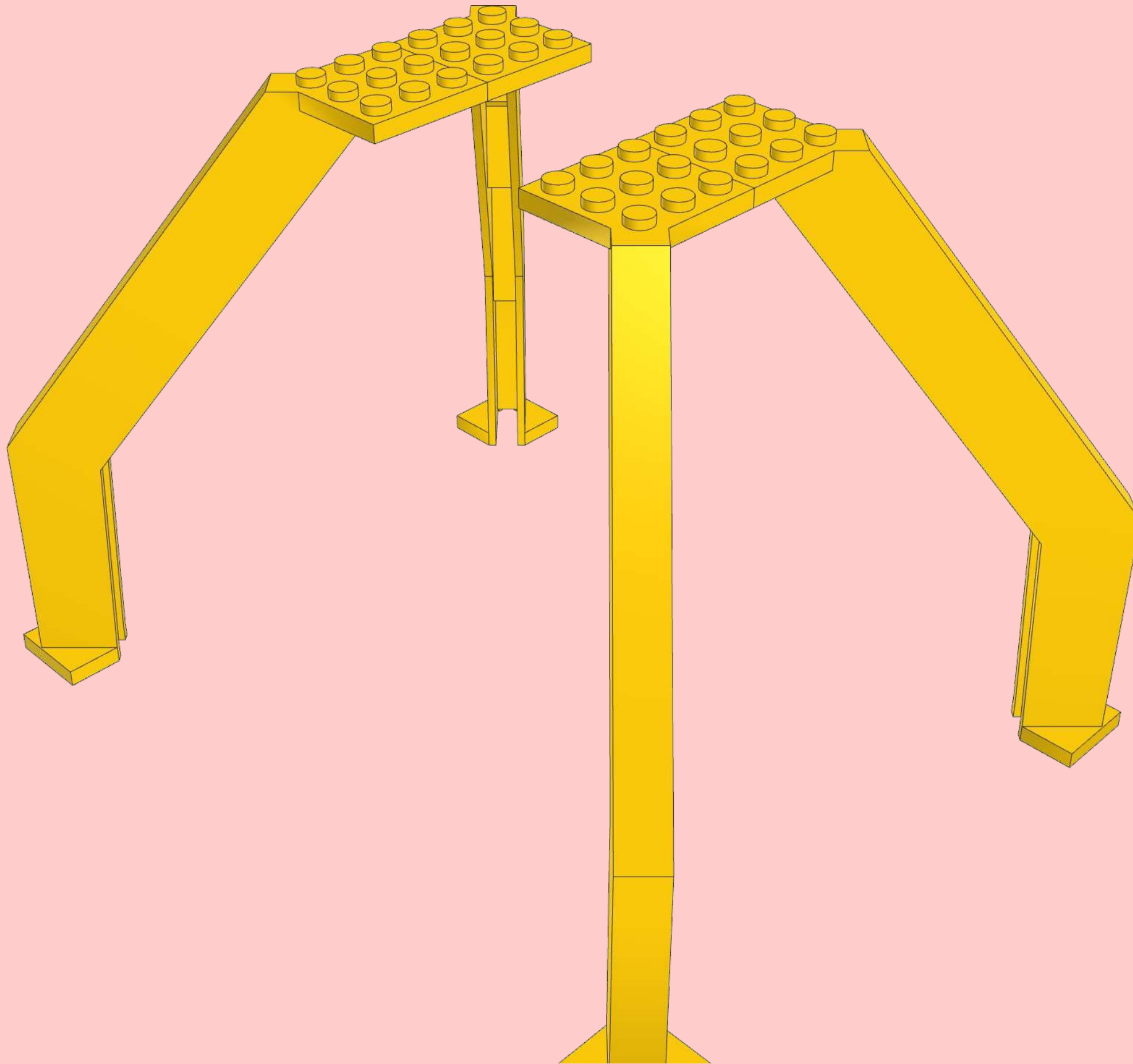
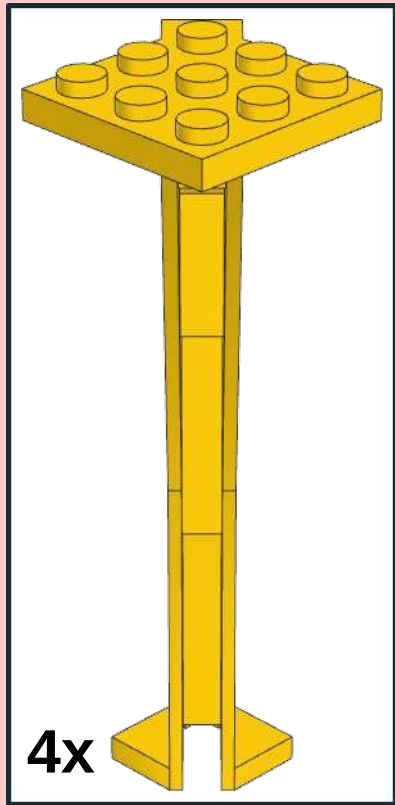
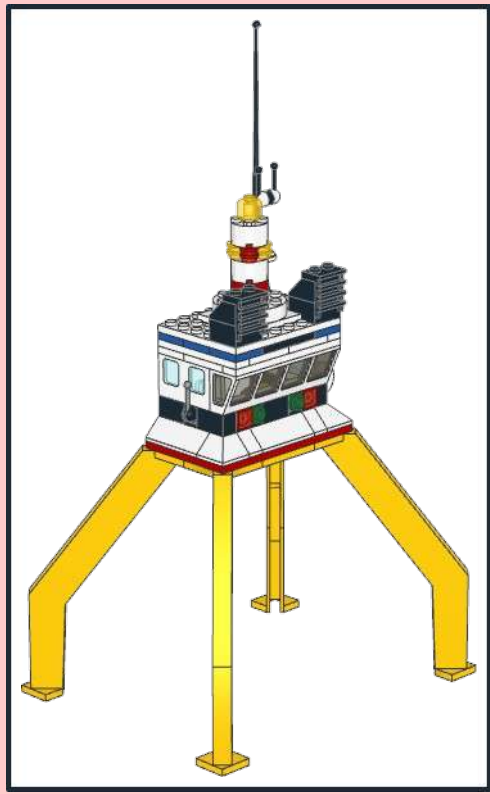
2



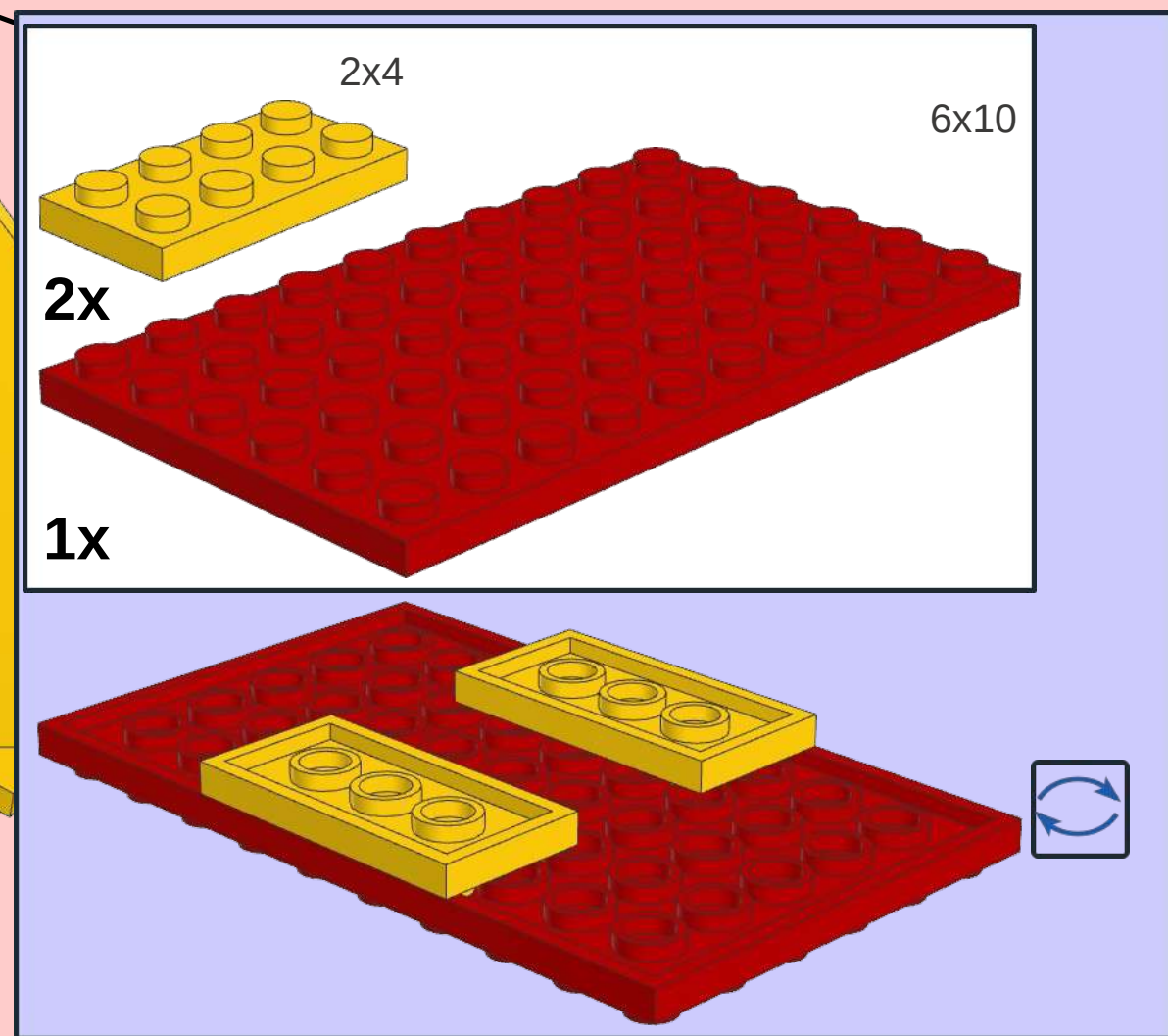
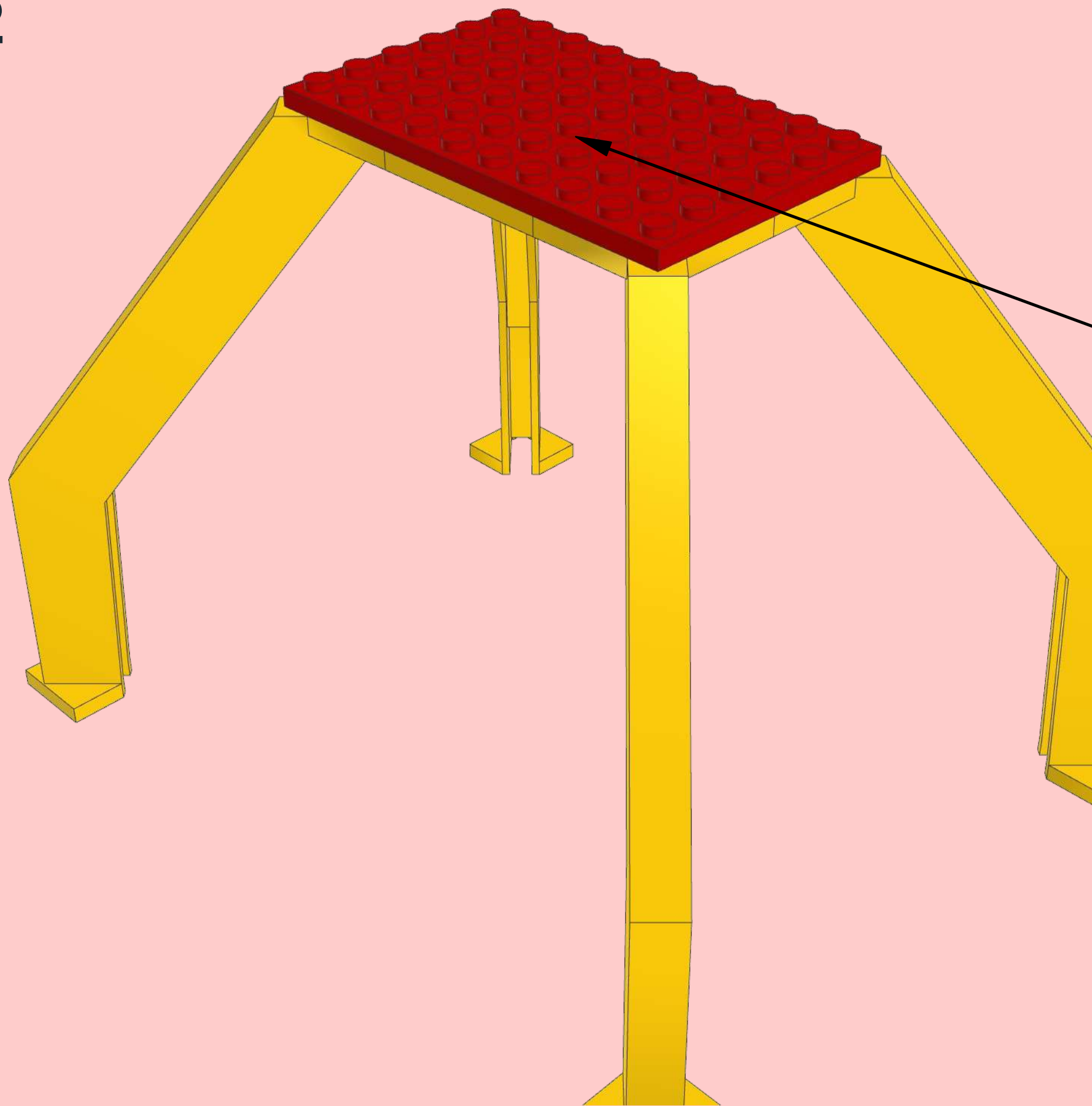
3



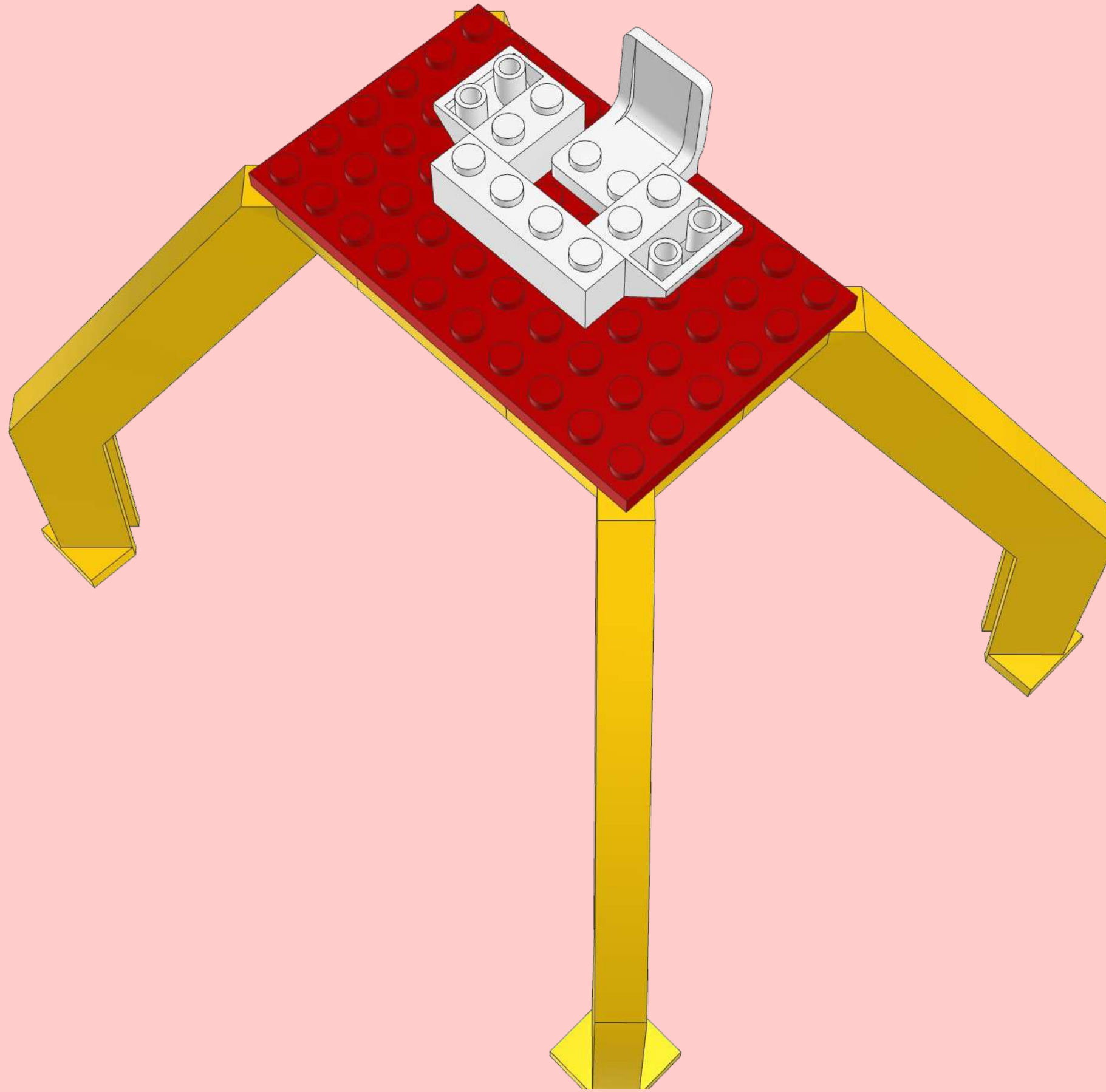
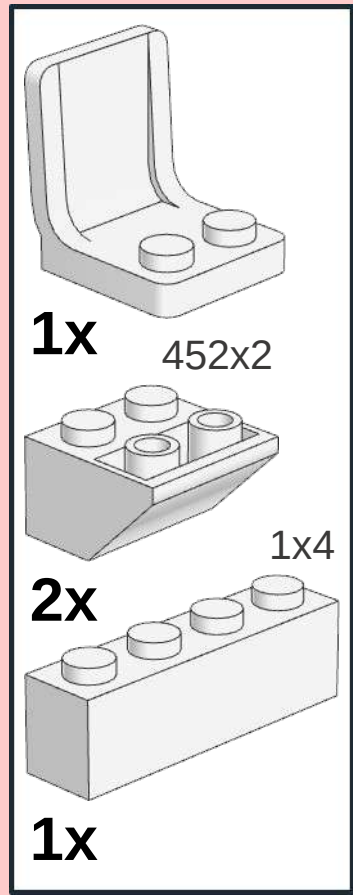
1



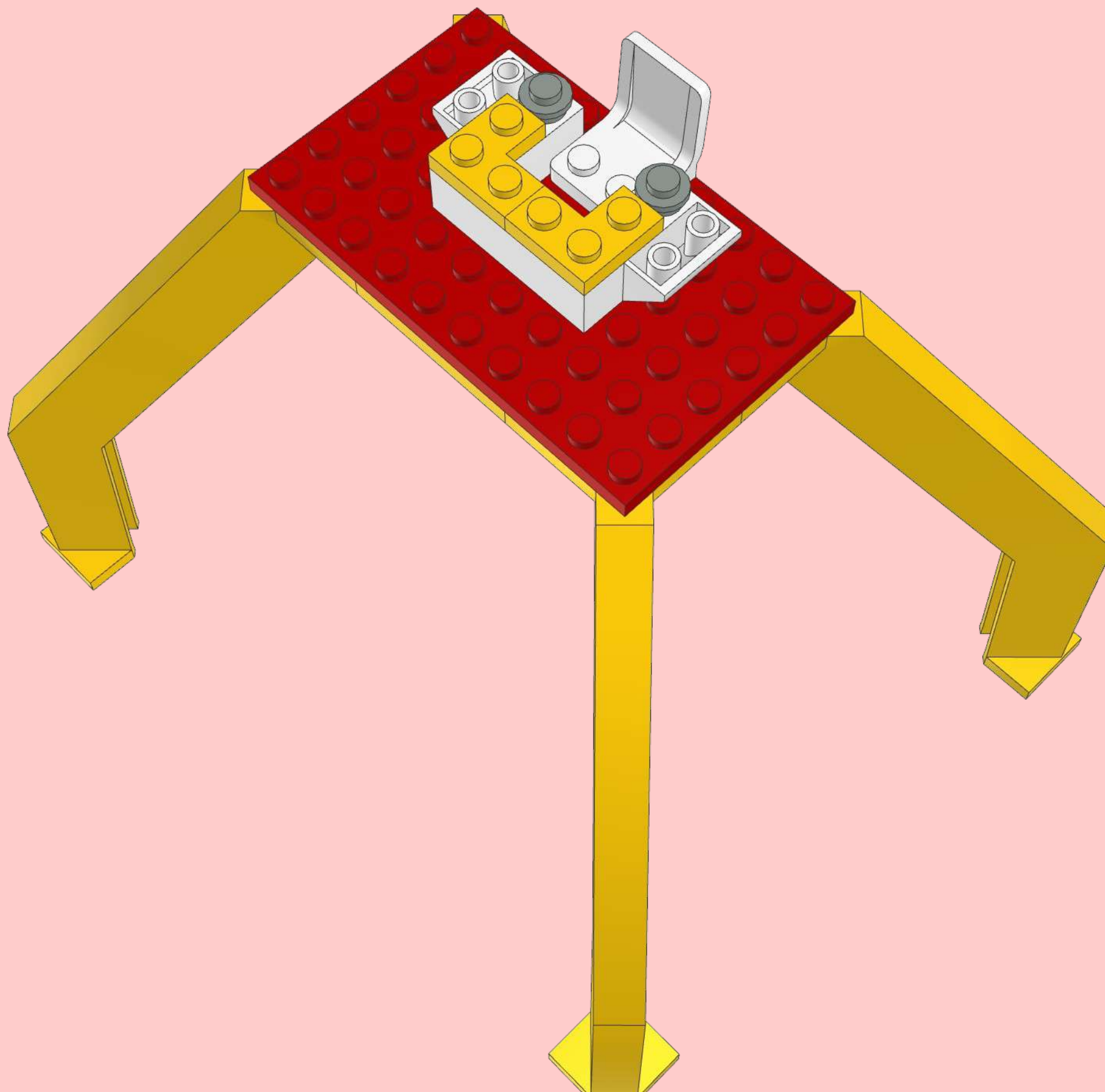
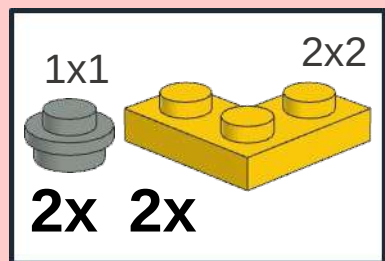
2



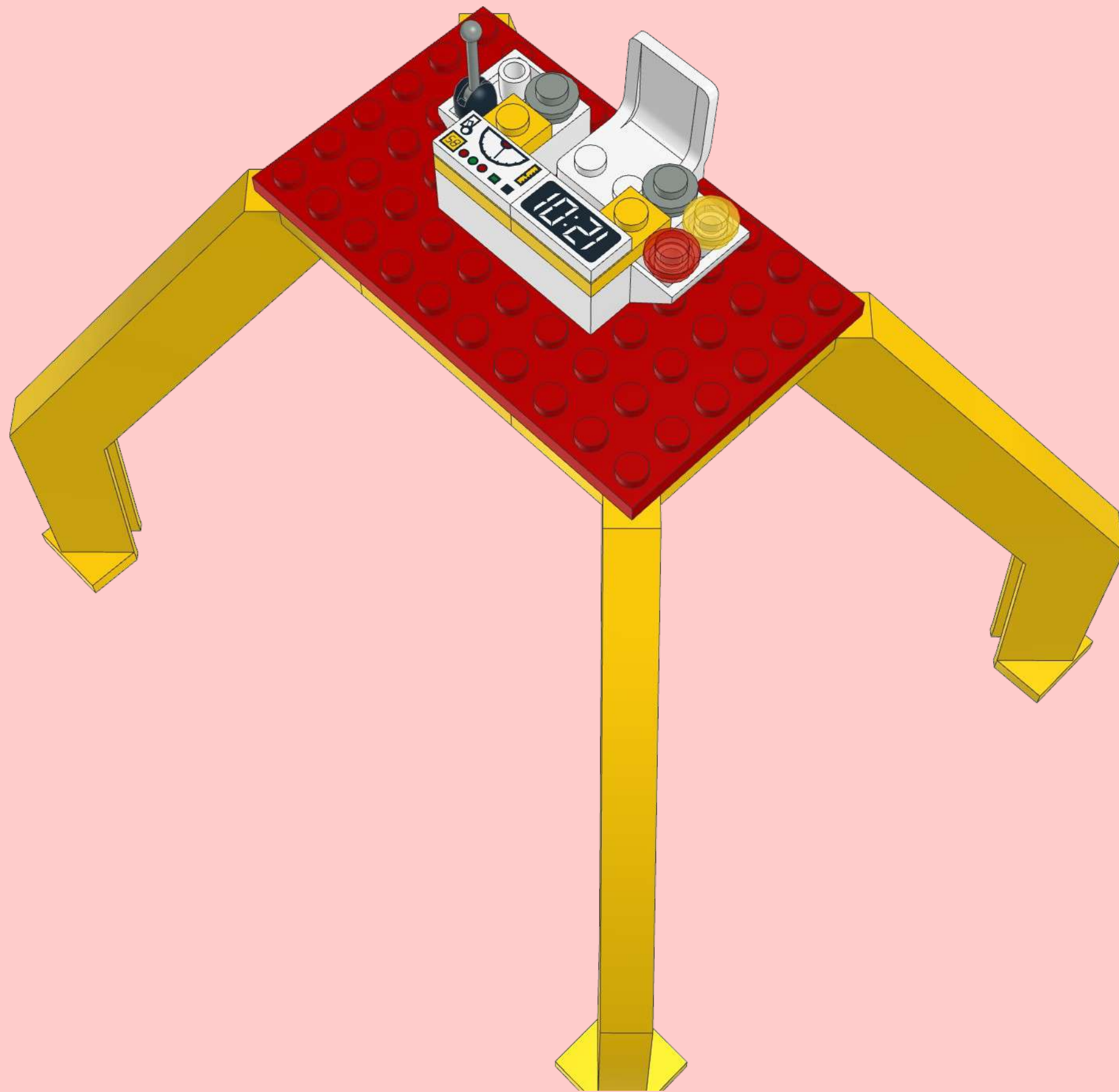
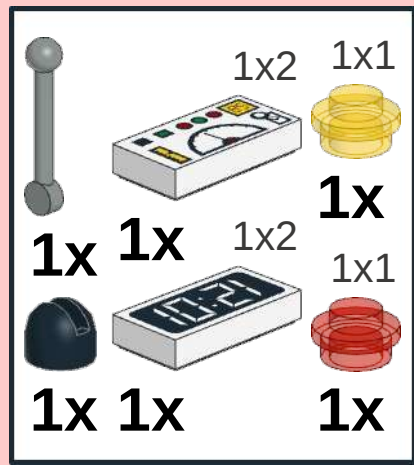
3



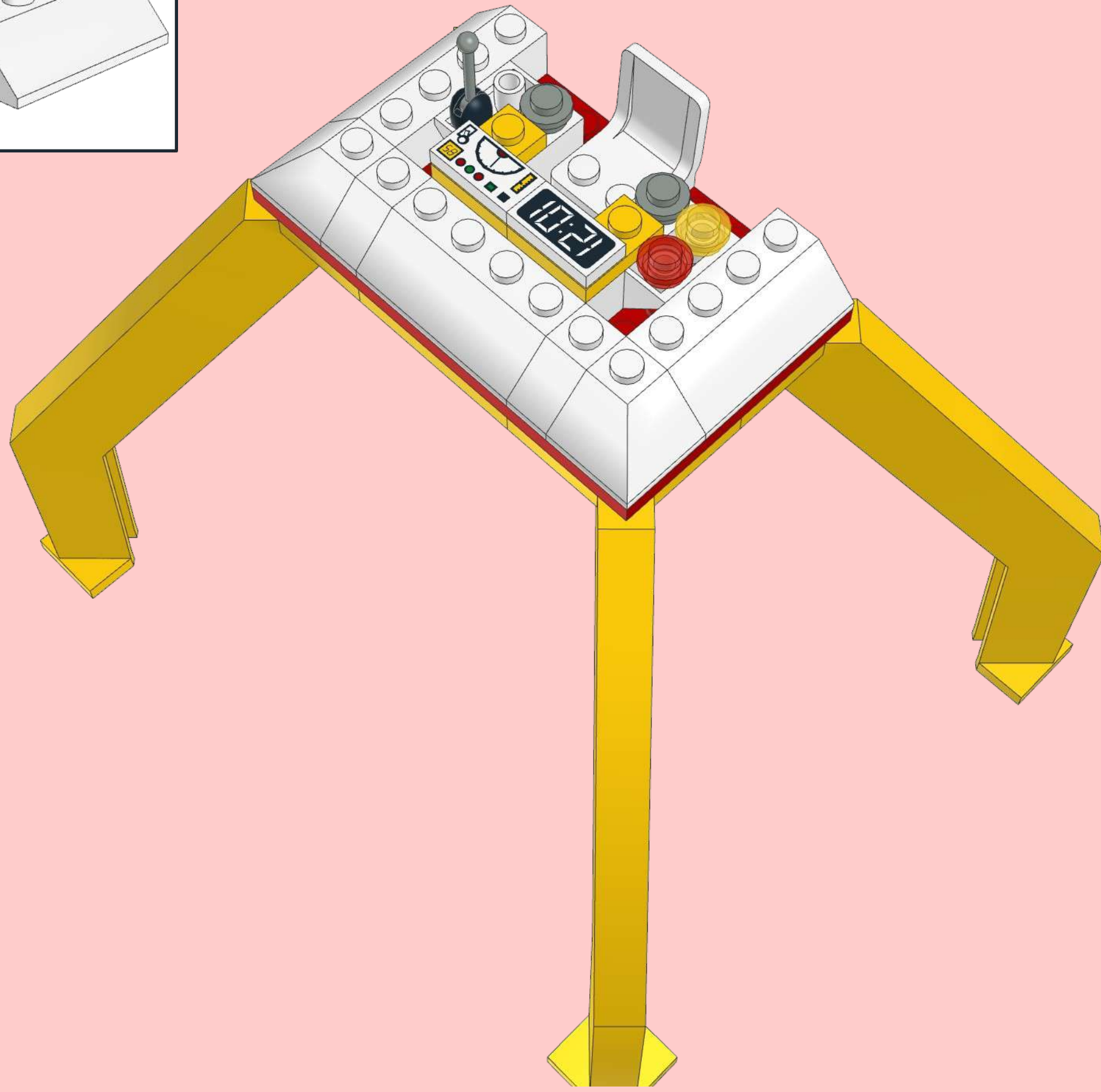
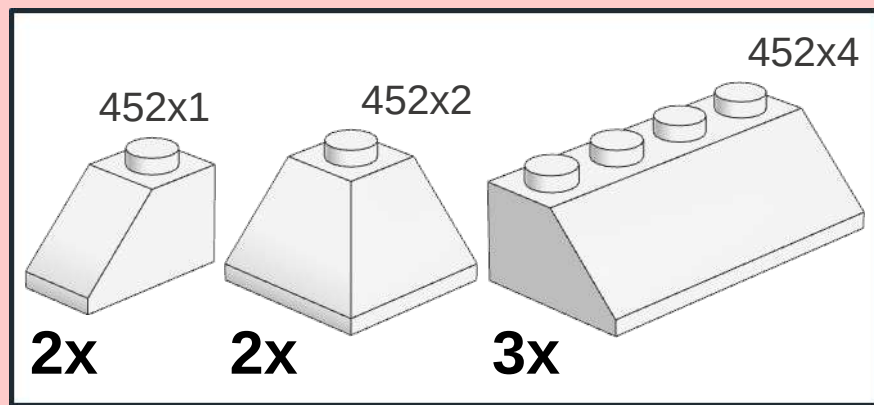
4




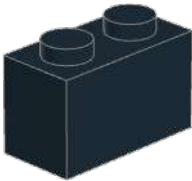
5

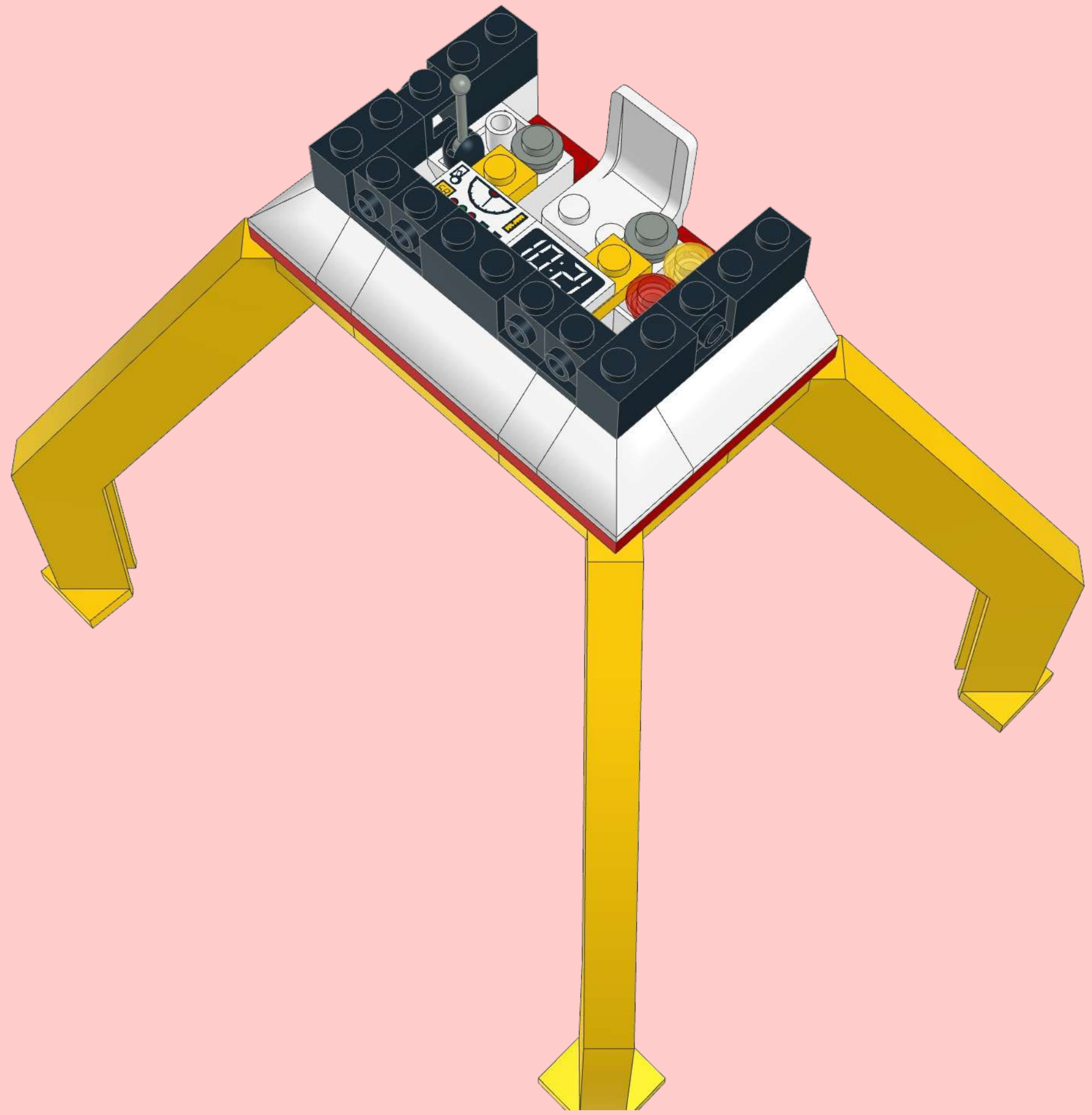


6



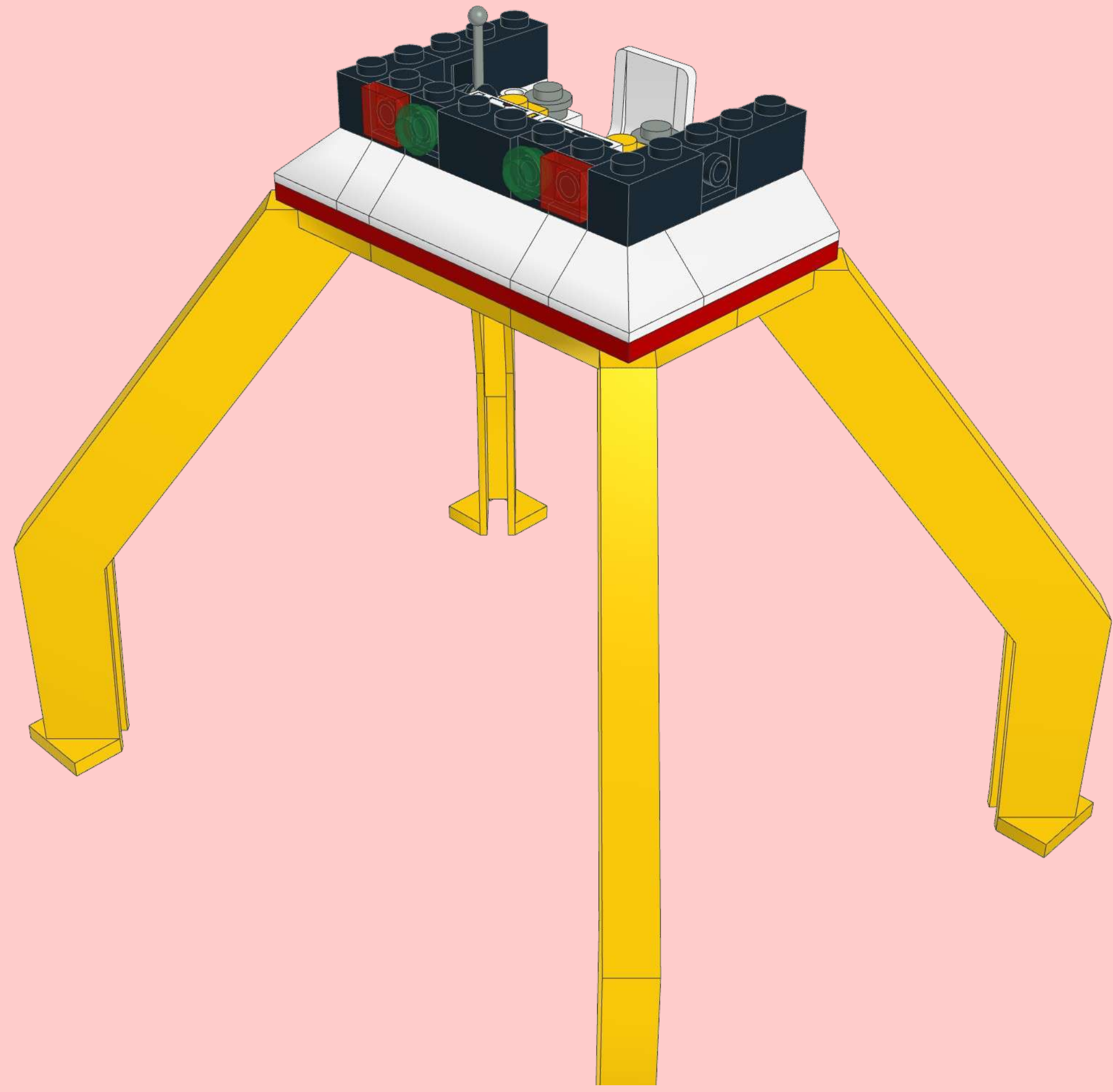
7

1x1	1x2
	
6x	5x



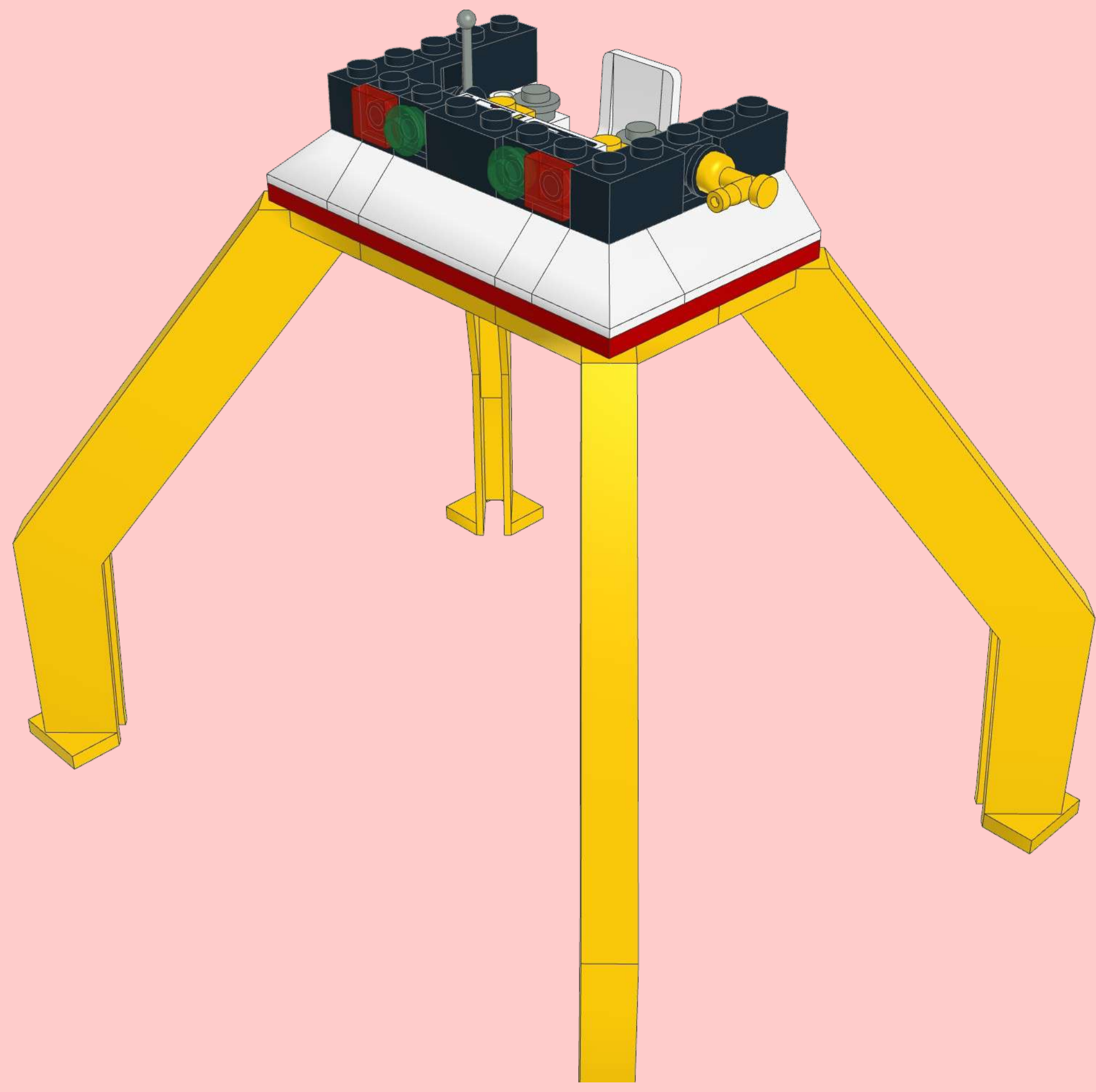
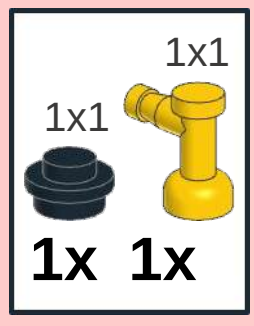
8

1x1	1x1
2x	2x

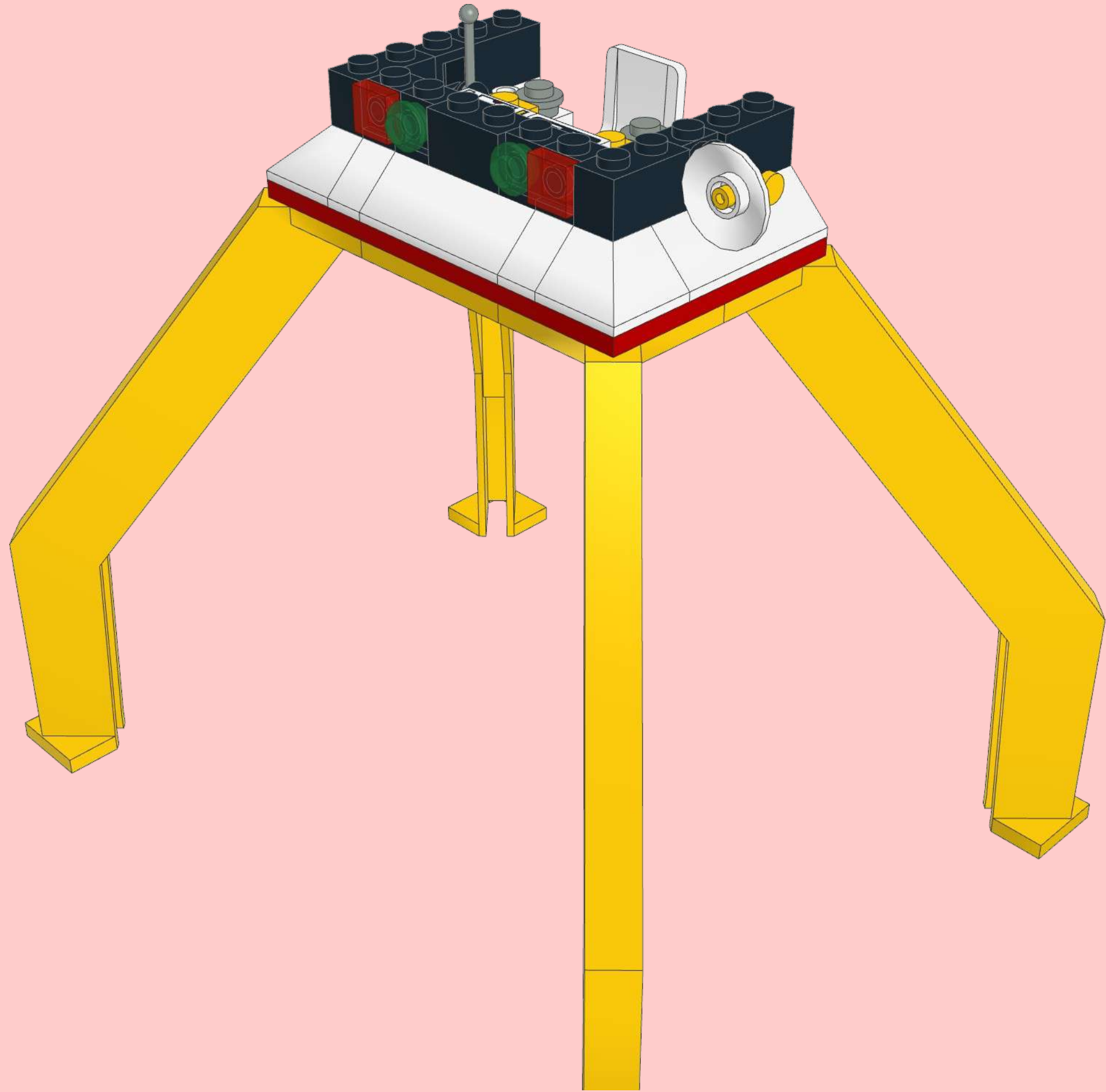
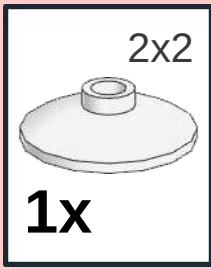


9

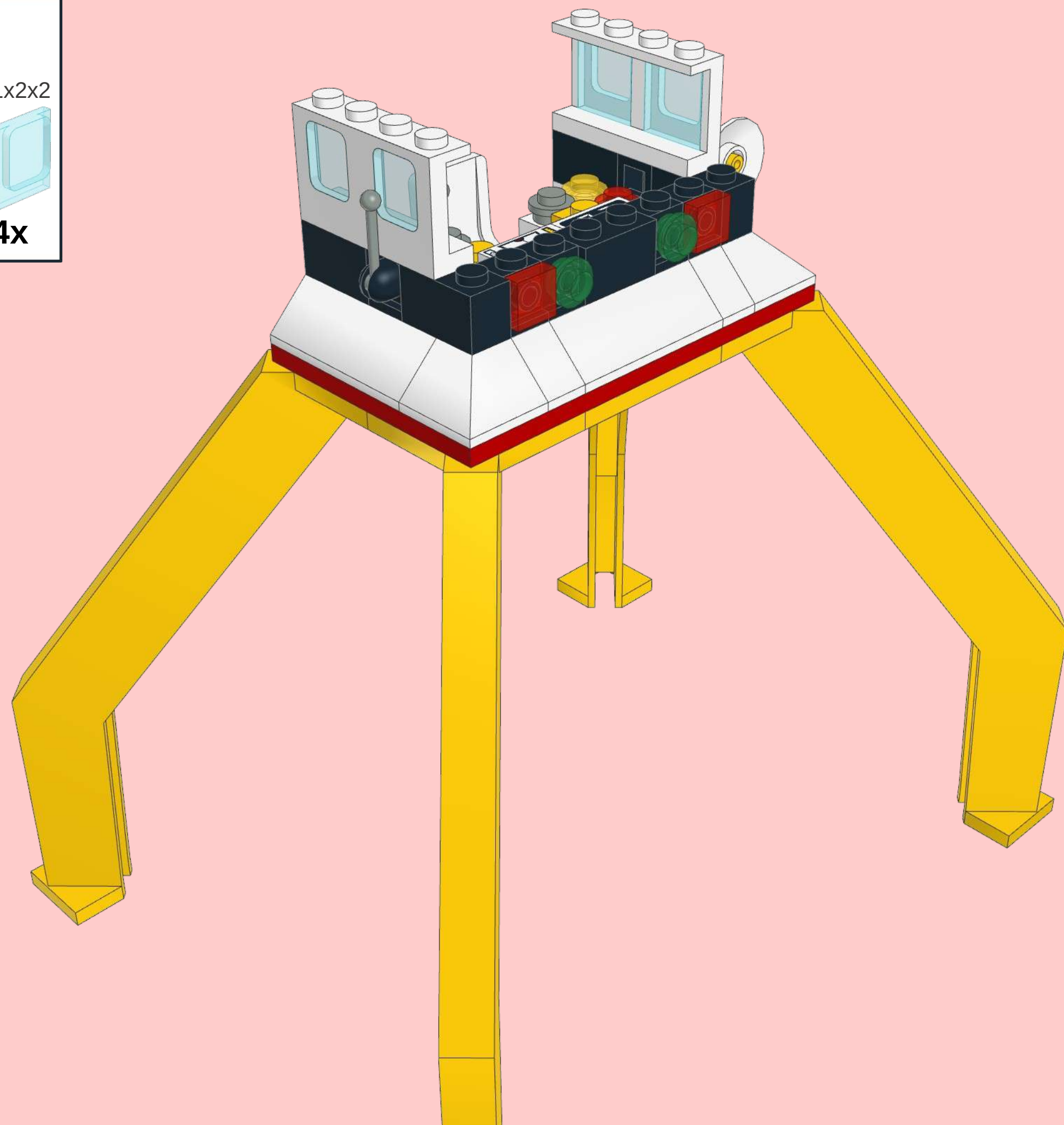
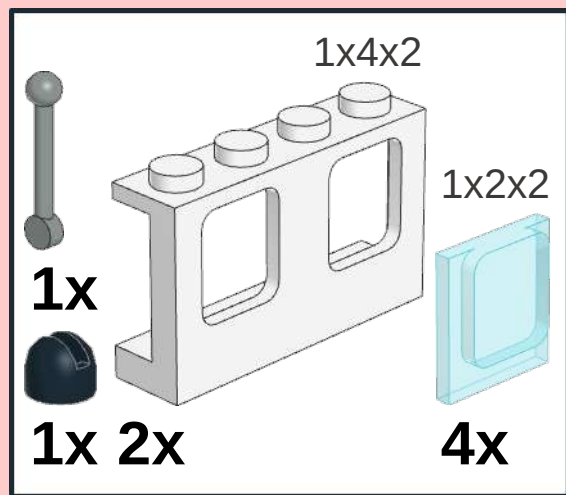
1x1
1x1
1x 1x



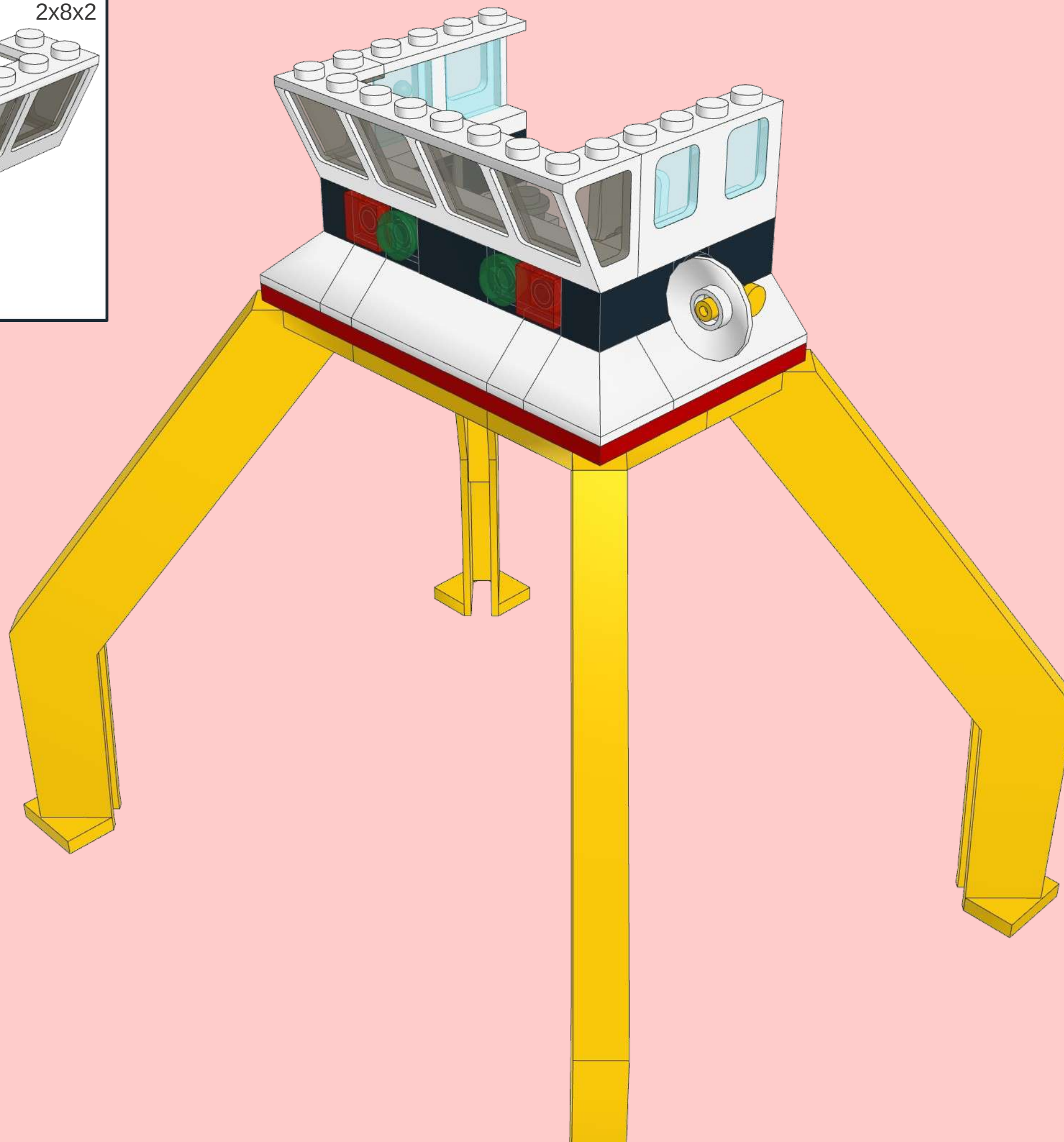
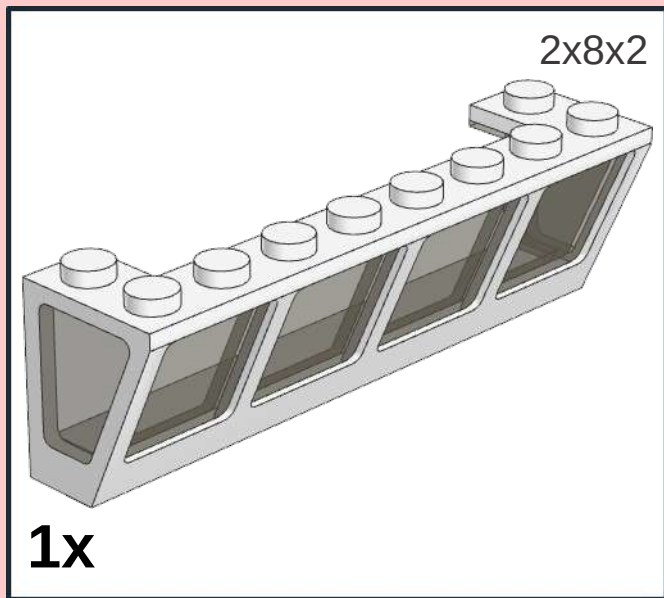
10



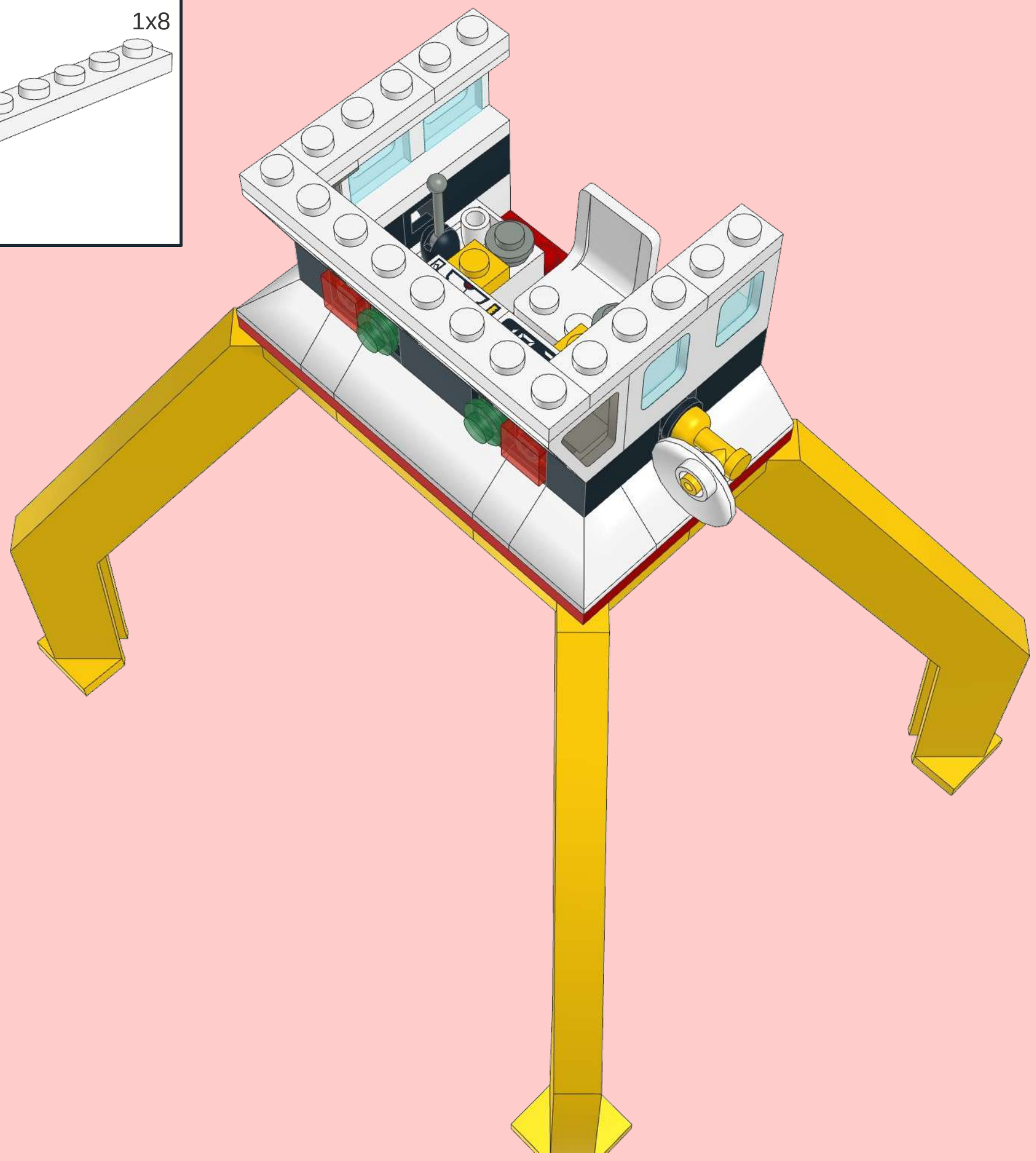
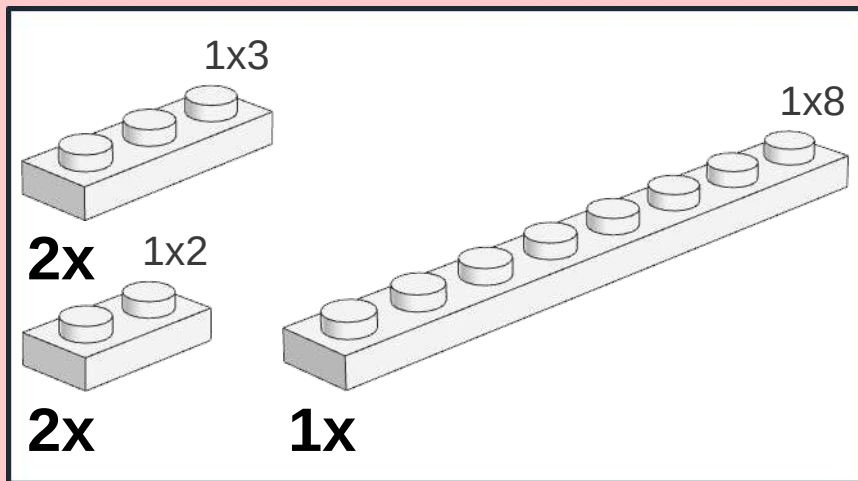
11



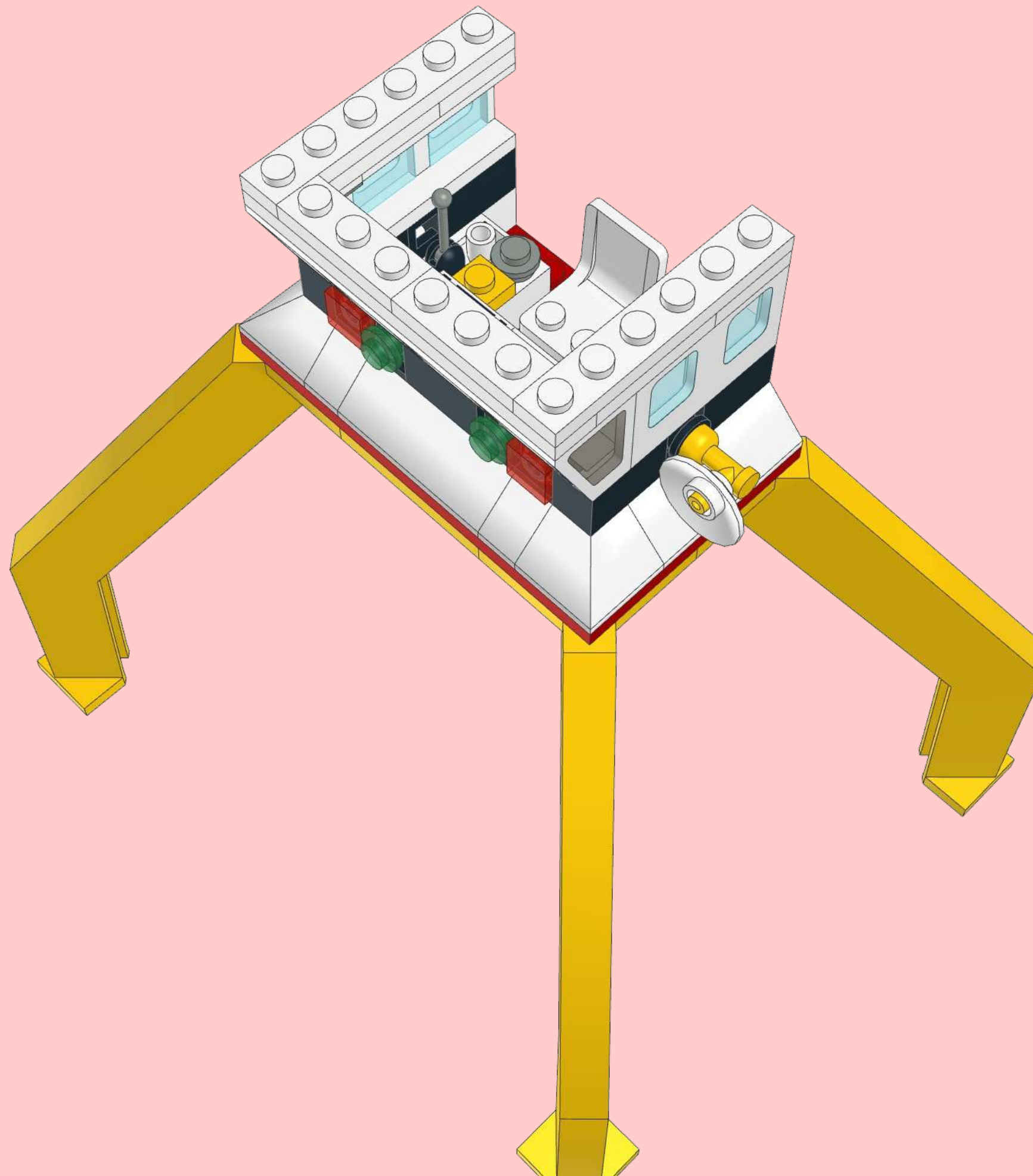
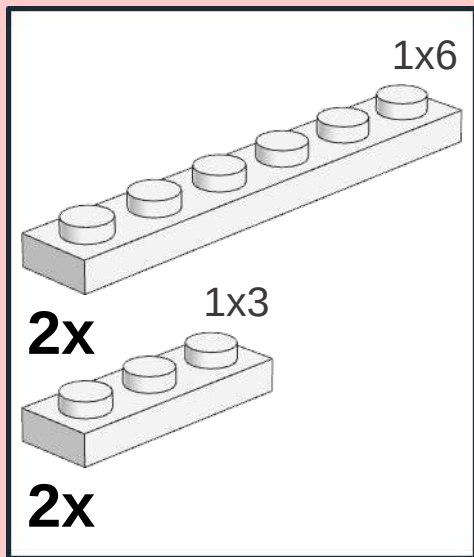
12



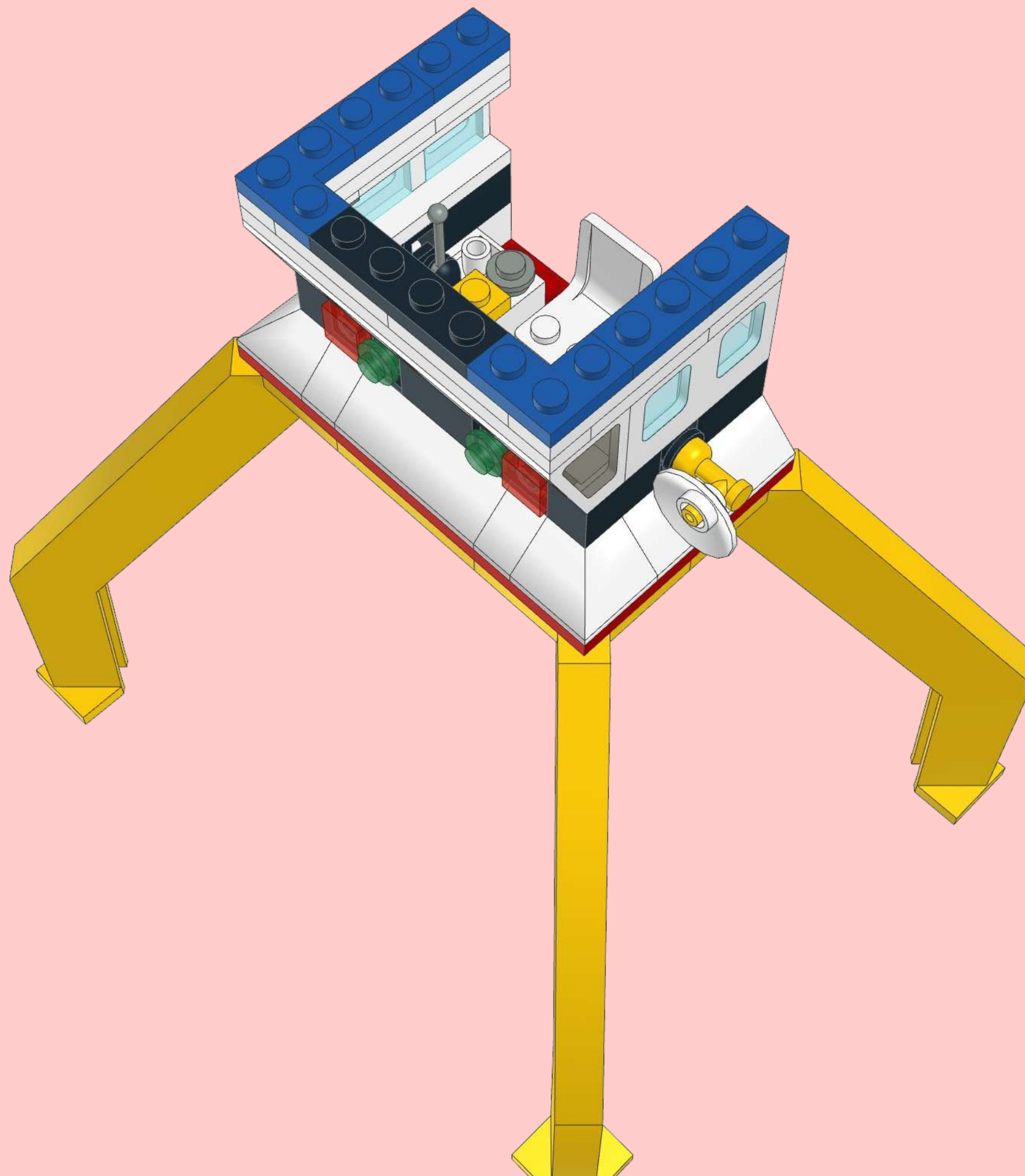
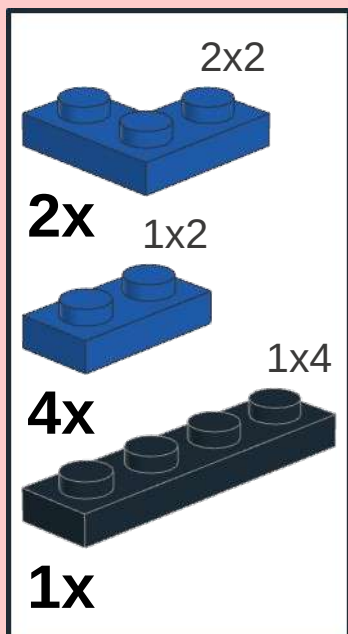
13



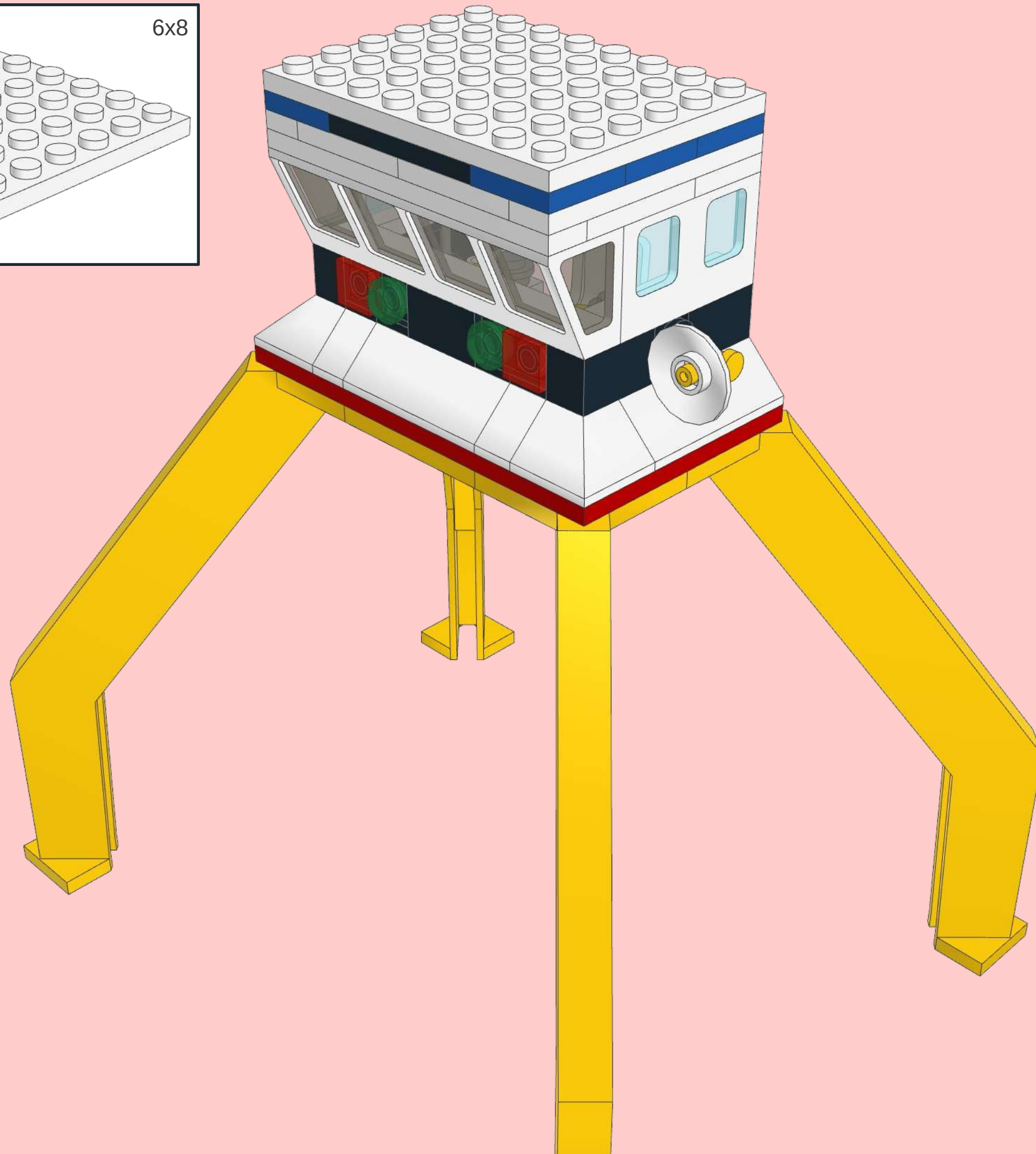
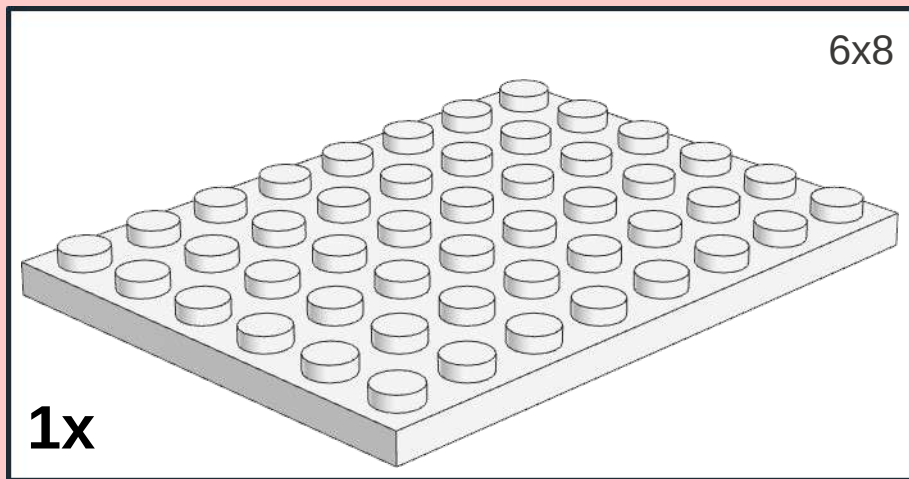
14

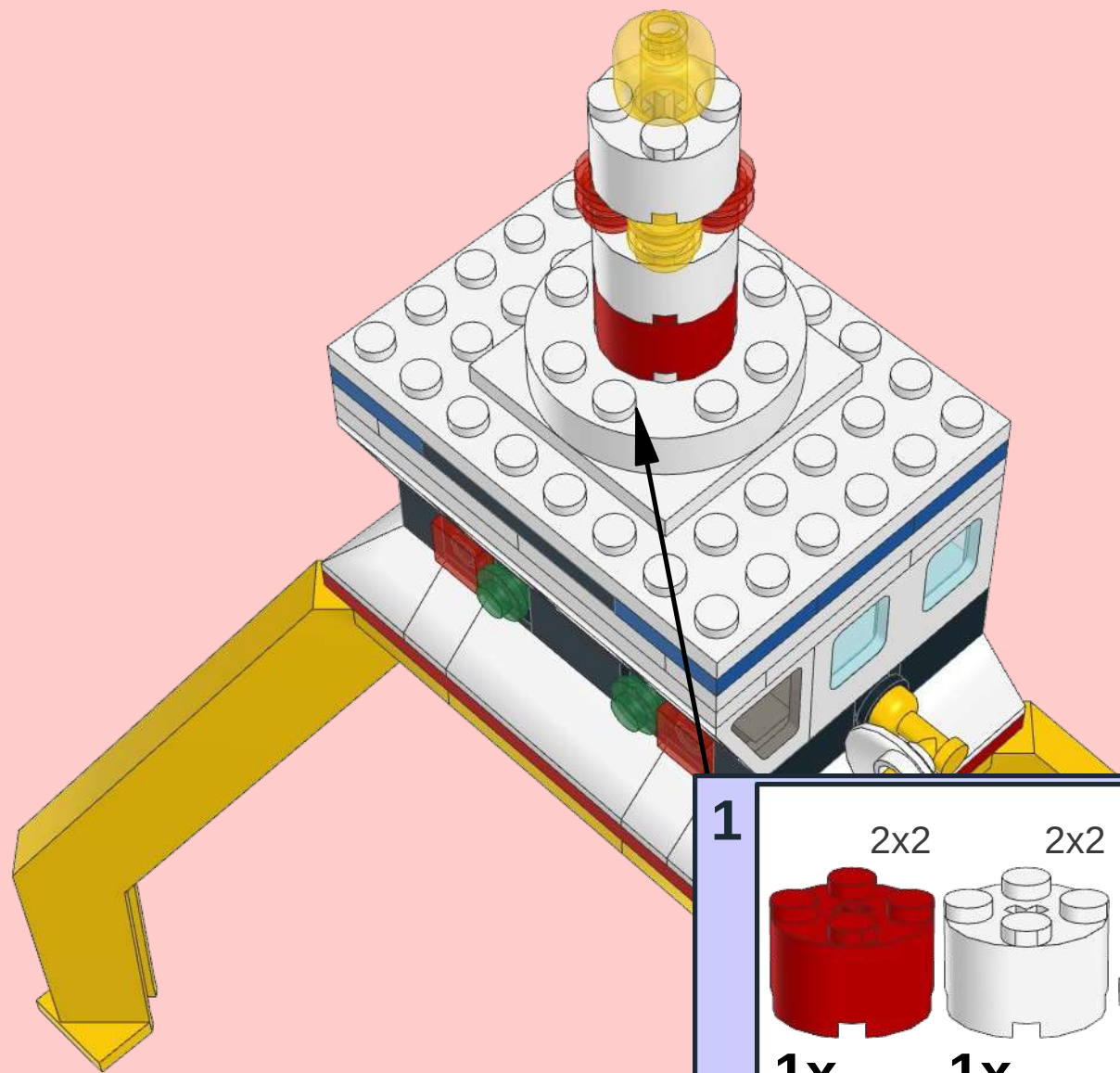


15



16

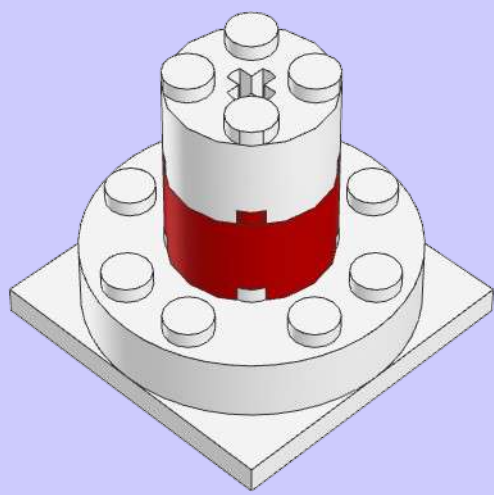




1

2x2 2x2 4x4

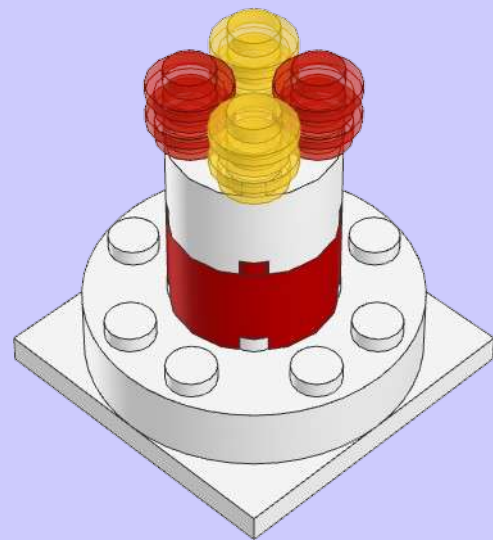
1x **1x** **1x**



2

1x1 1x1

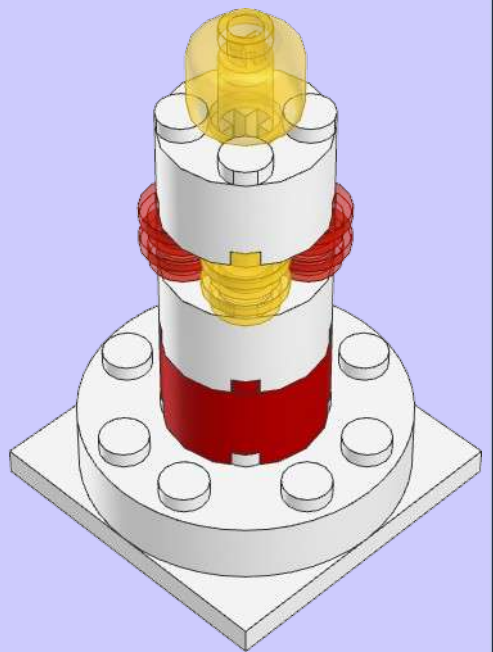
4x **4x**

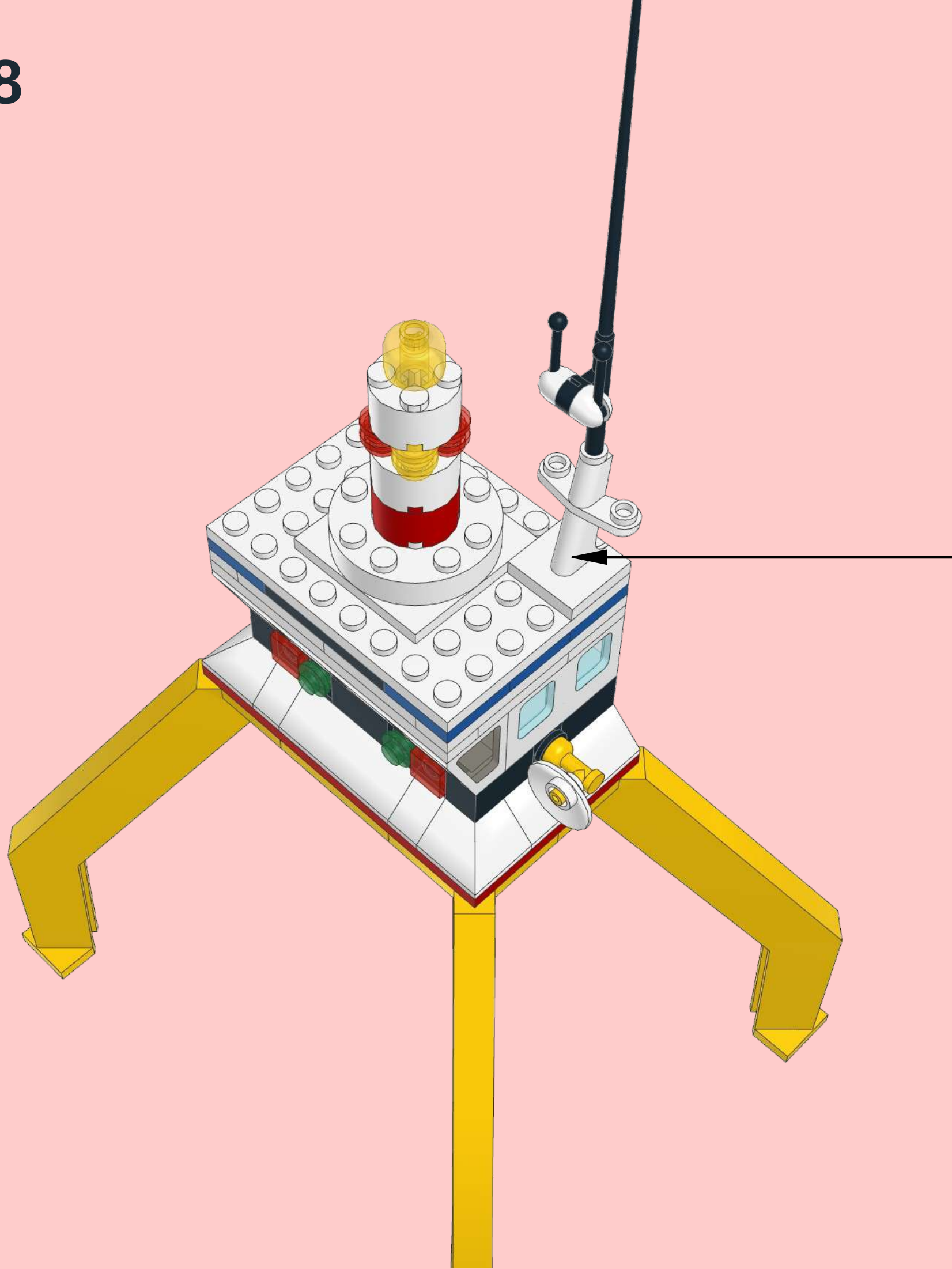


3

2x2

1x **1x**





1

2x2

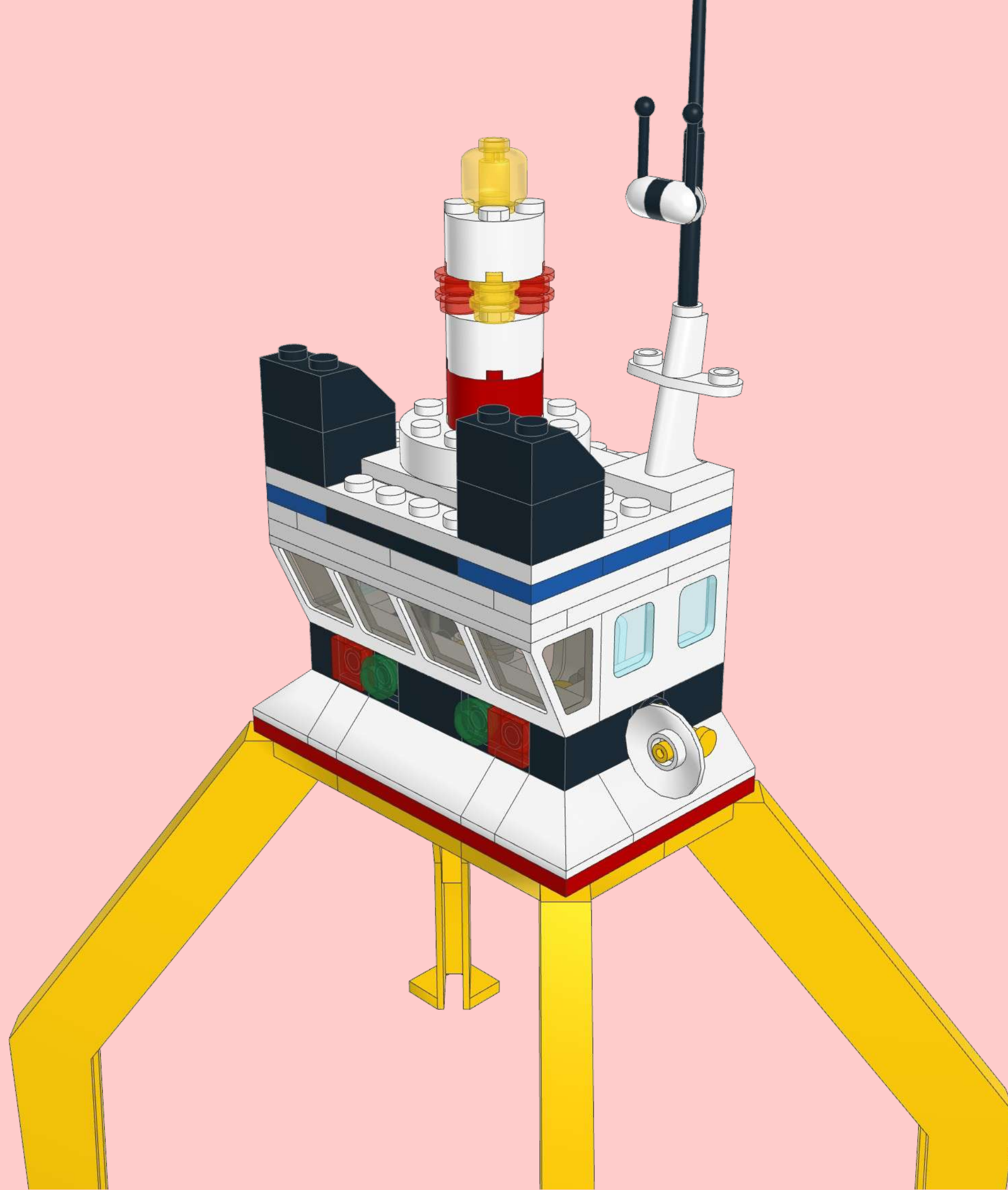
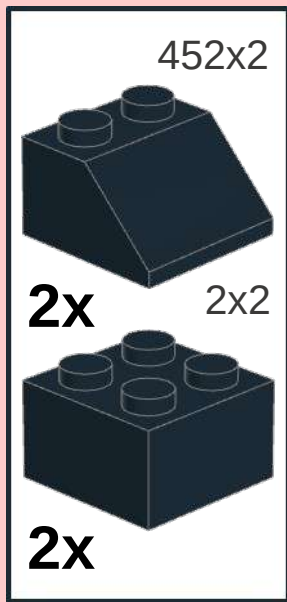
1x 1x

2

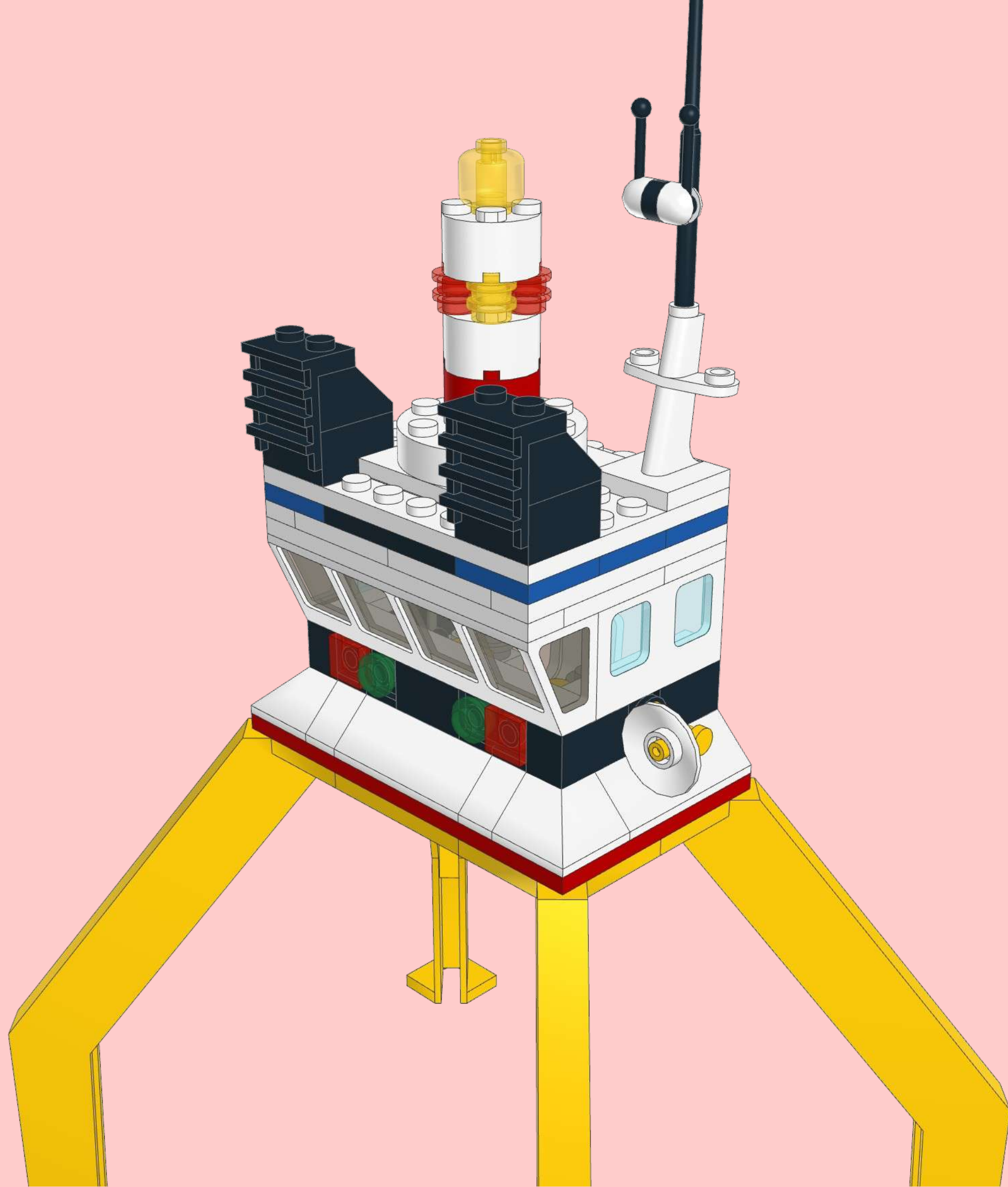
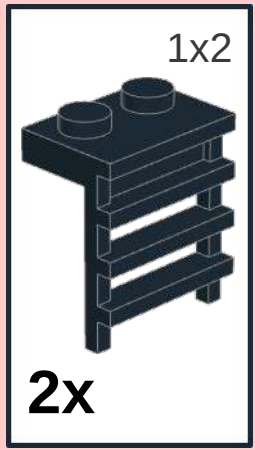
2x 2x

The inset diagram shows two assembly steps. Step 1 shows a black axle being inserted into a white 2x2 Technic connector. Step 2 shows a black axle with a white and black connector being inserted into a white 2x2 Technic connector.

19



20



4

