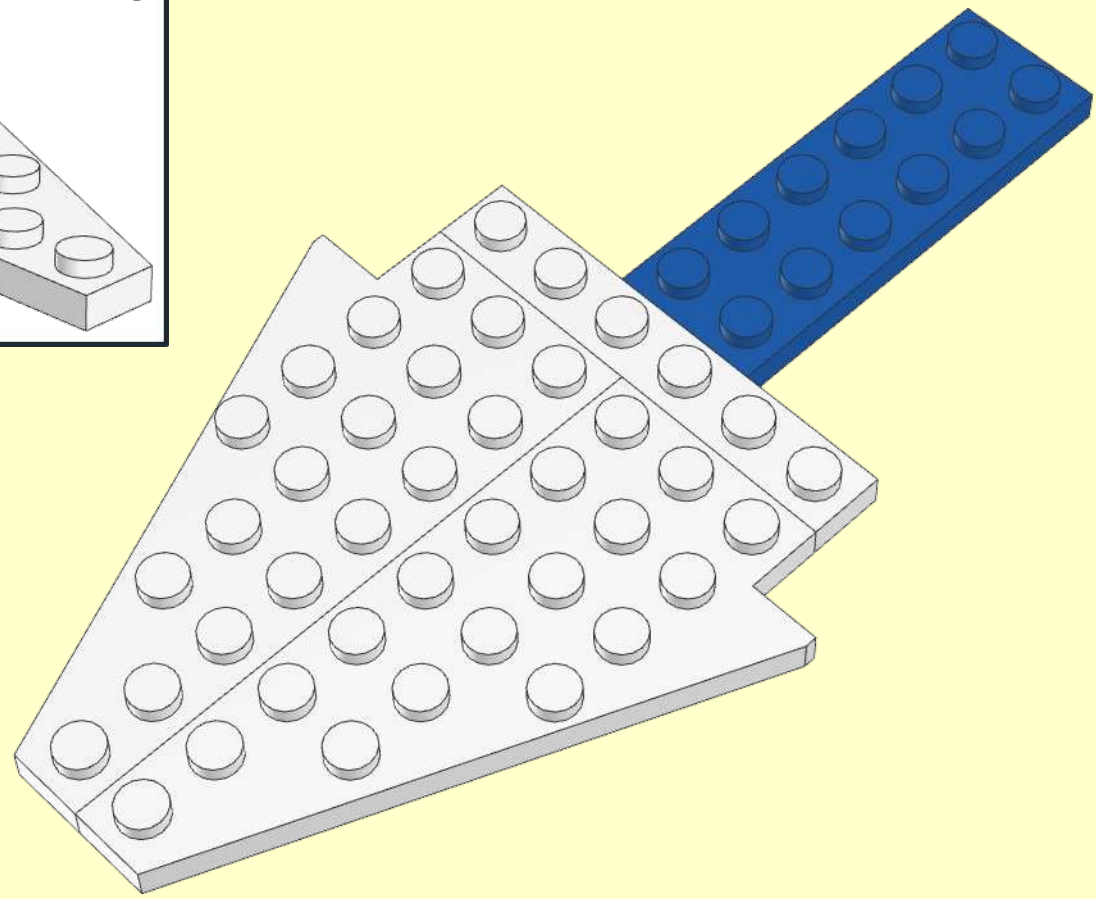
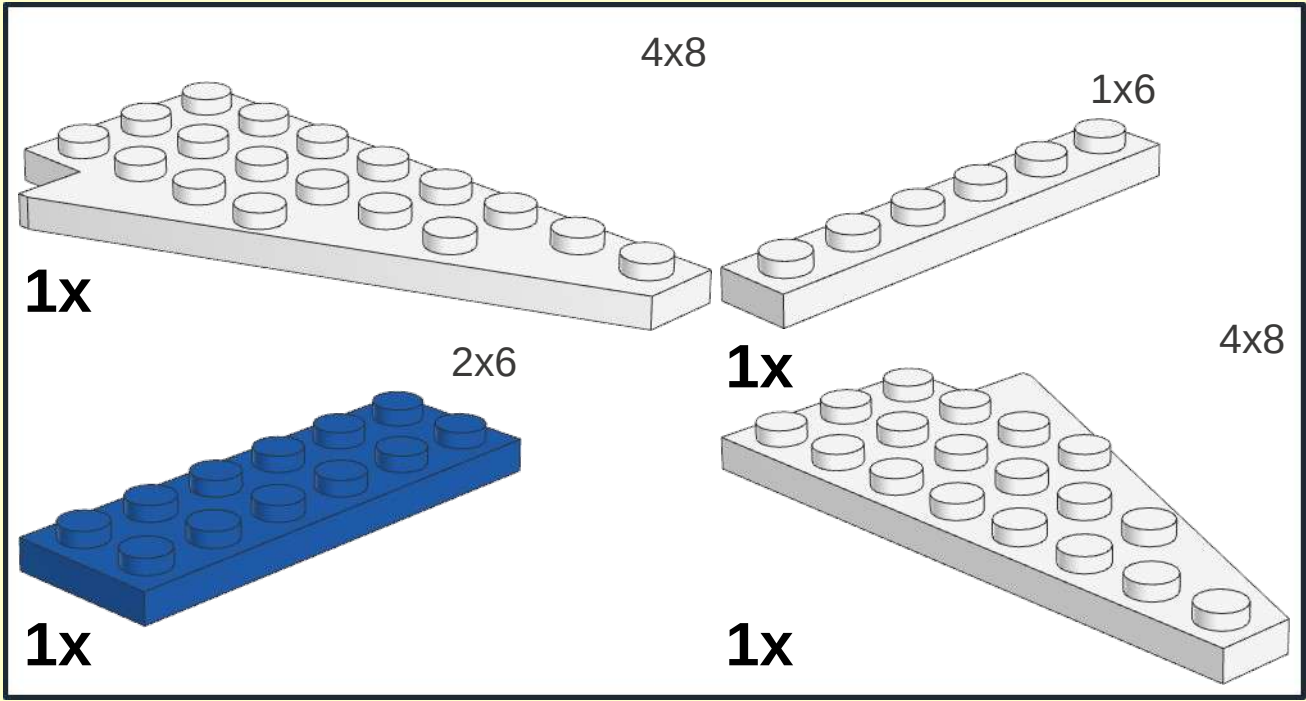
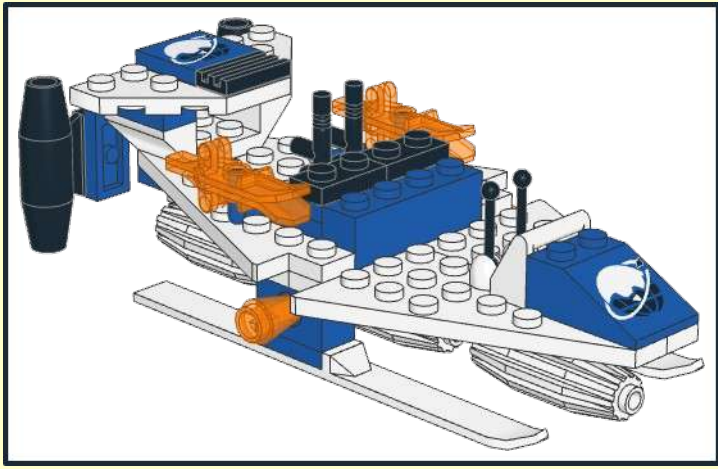
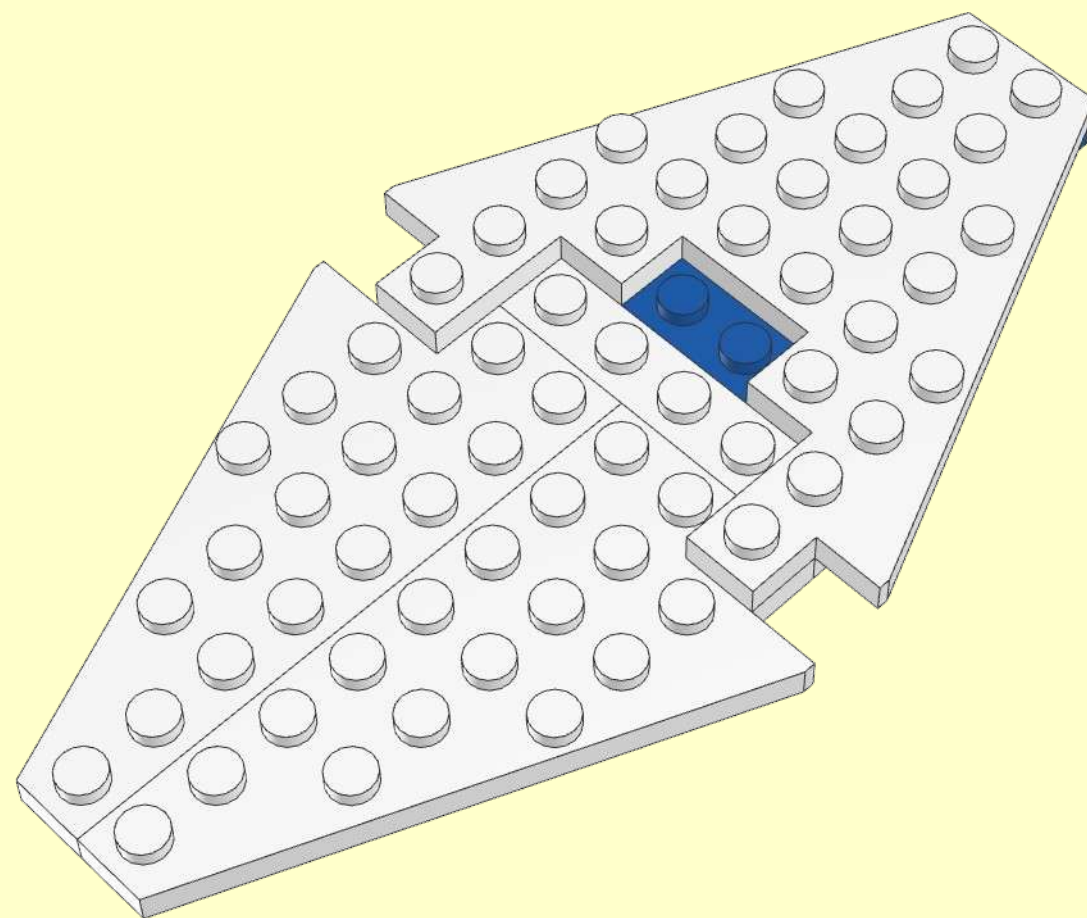
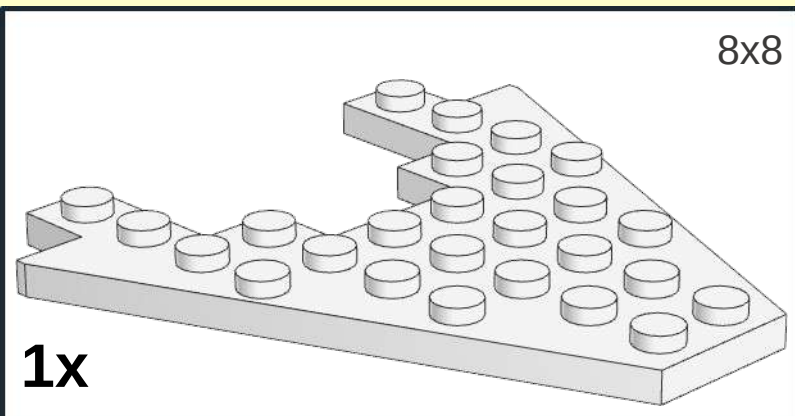


1

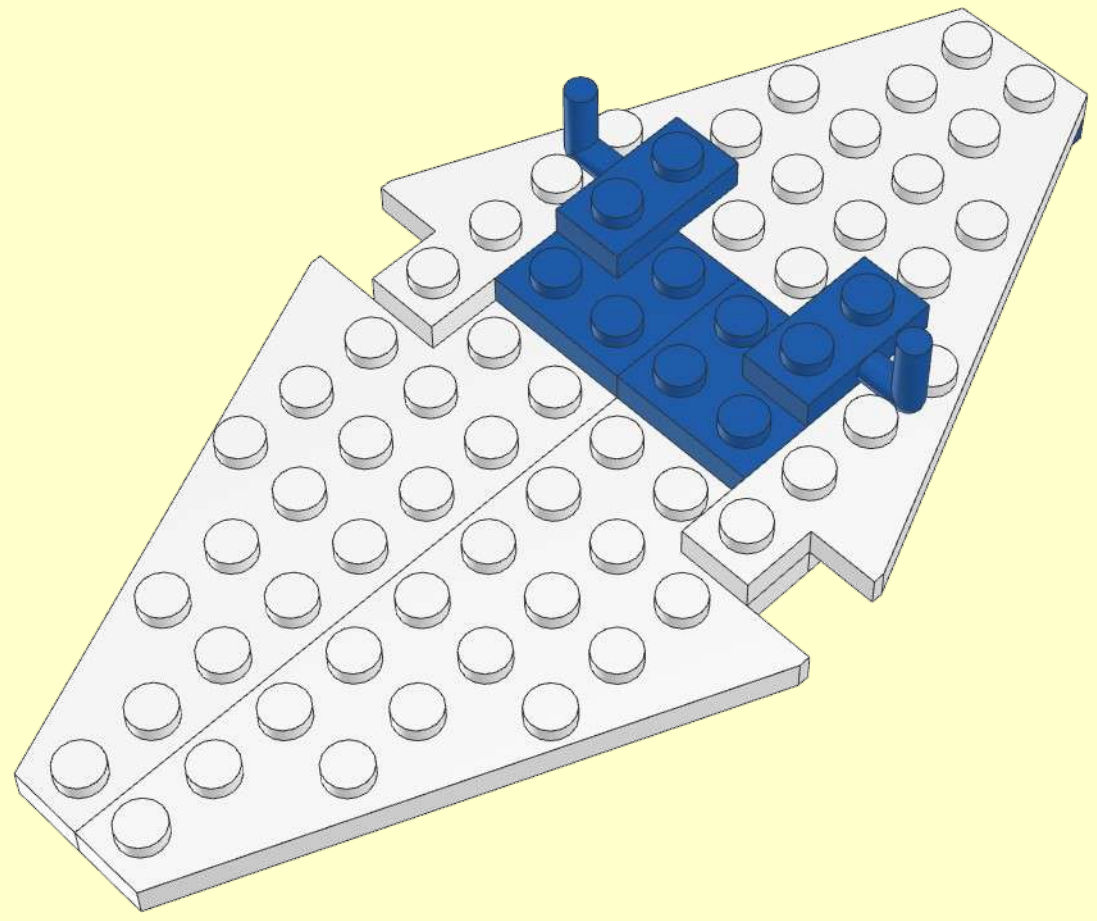
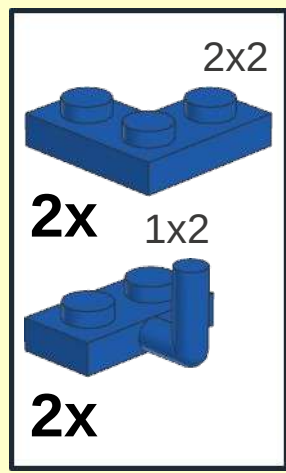


2

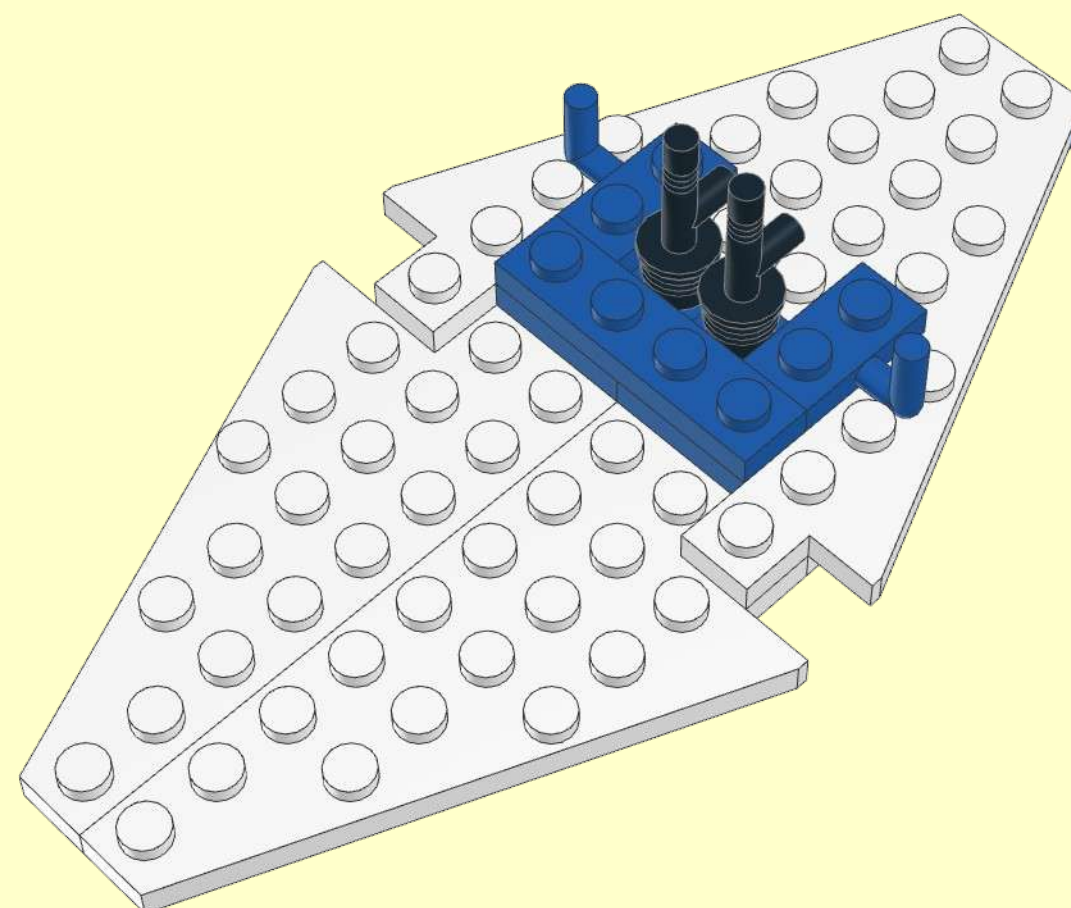
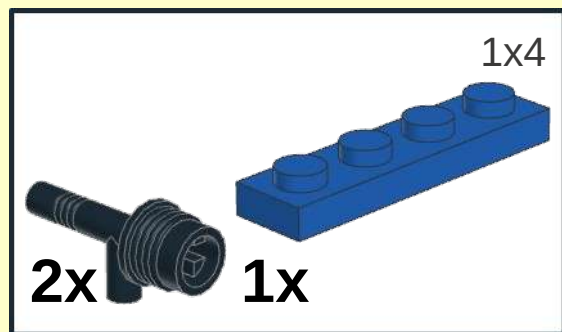
8x8



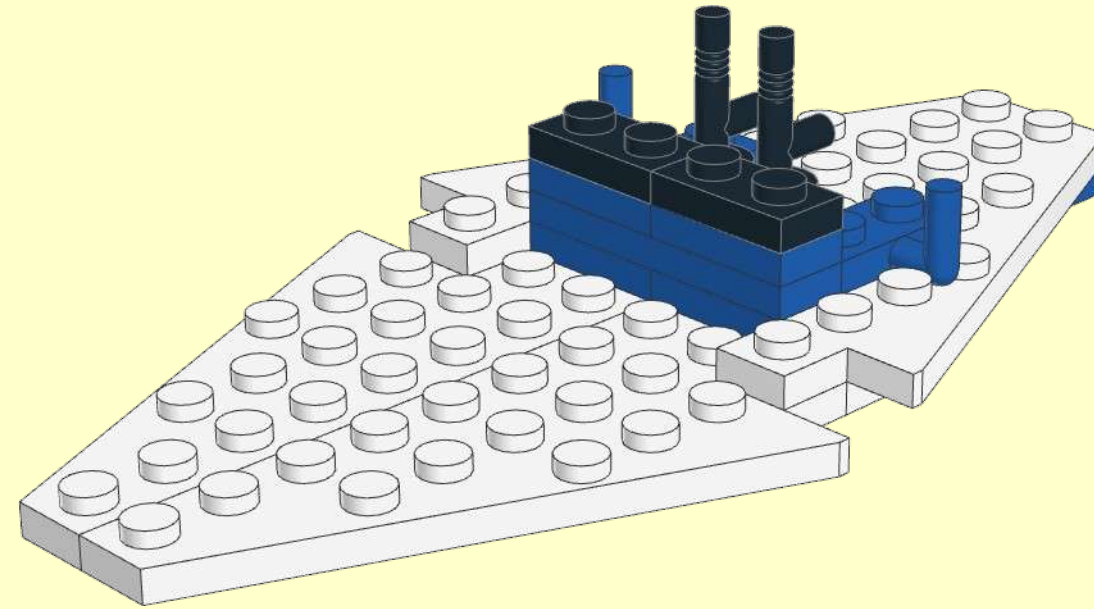
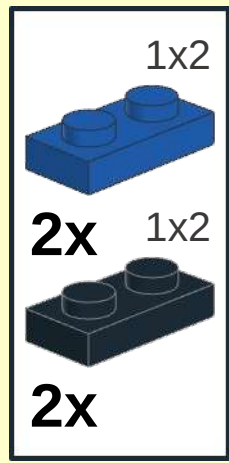
3



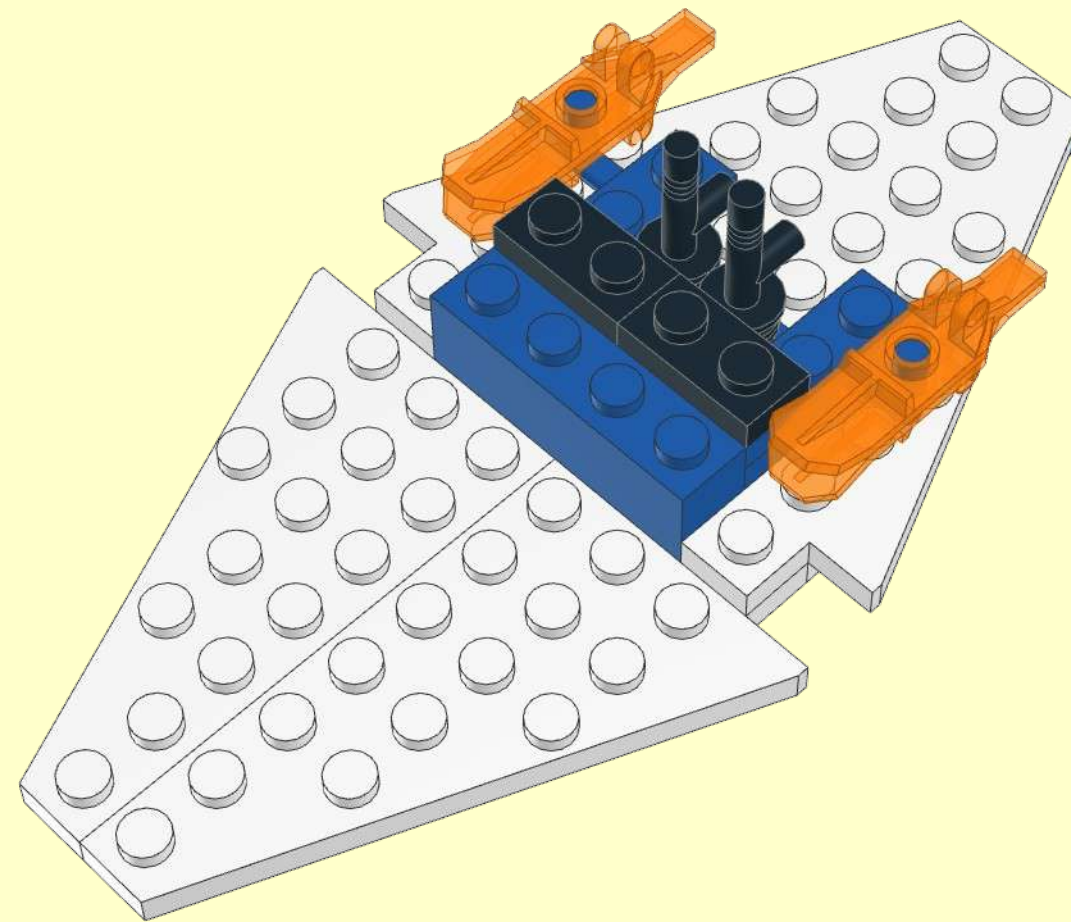
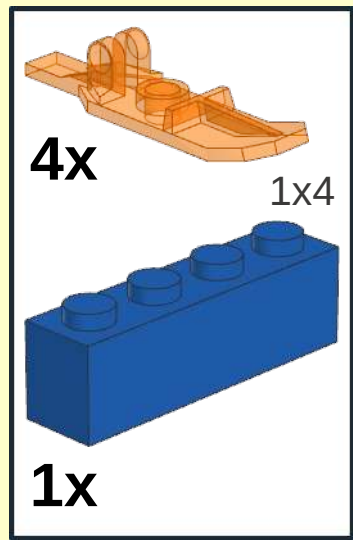
4



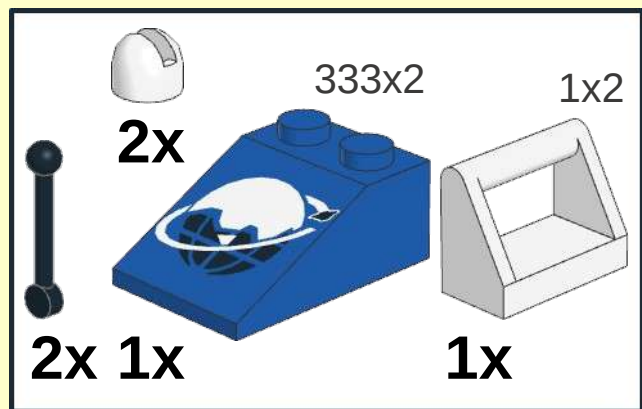
5



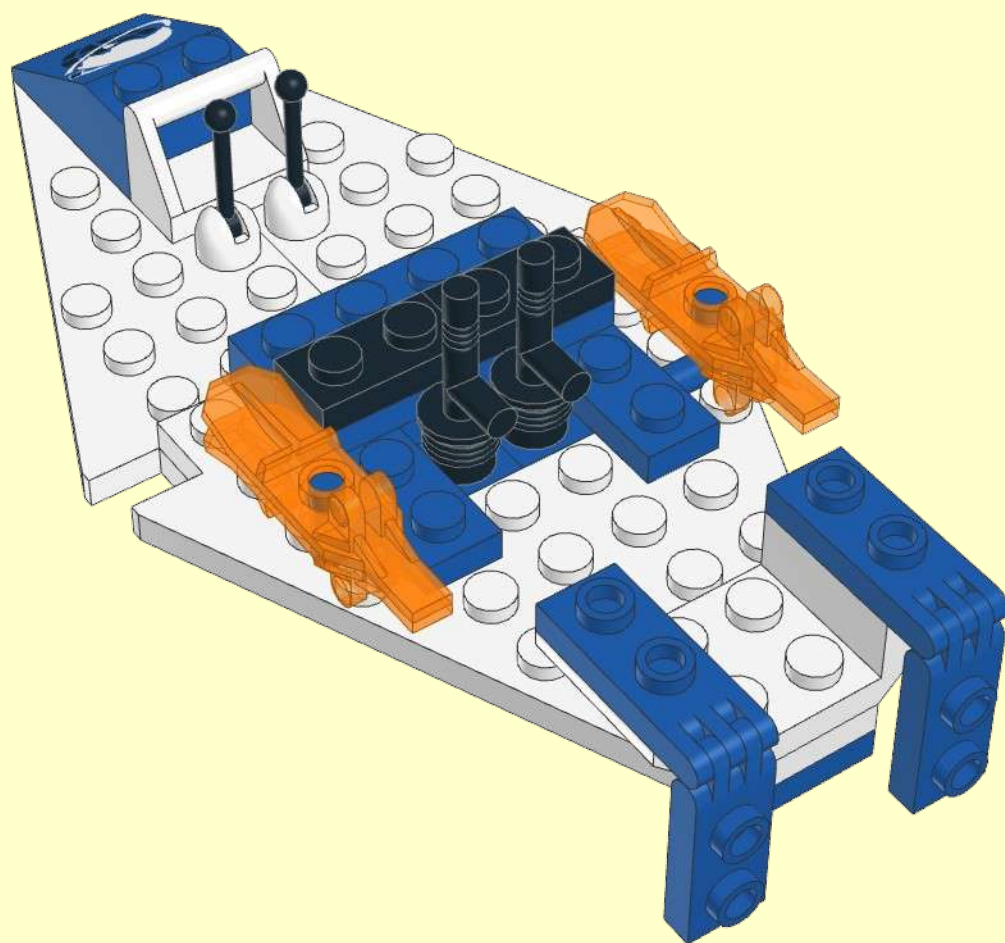
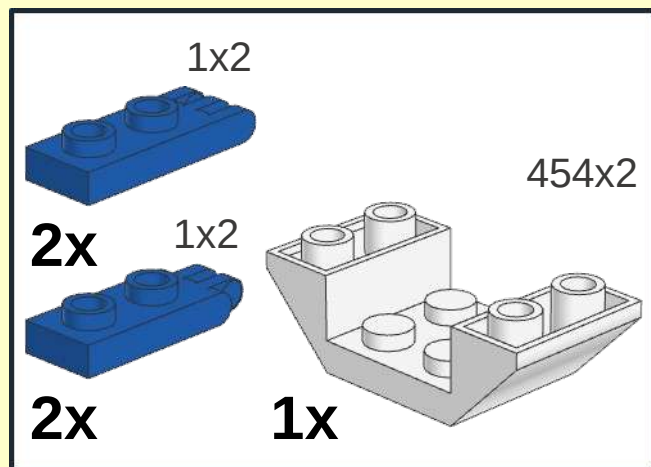
6



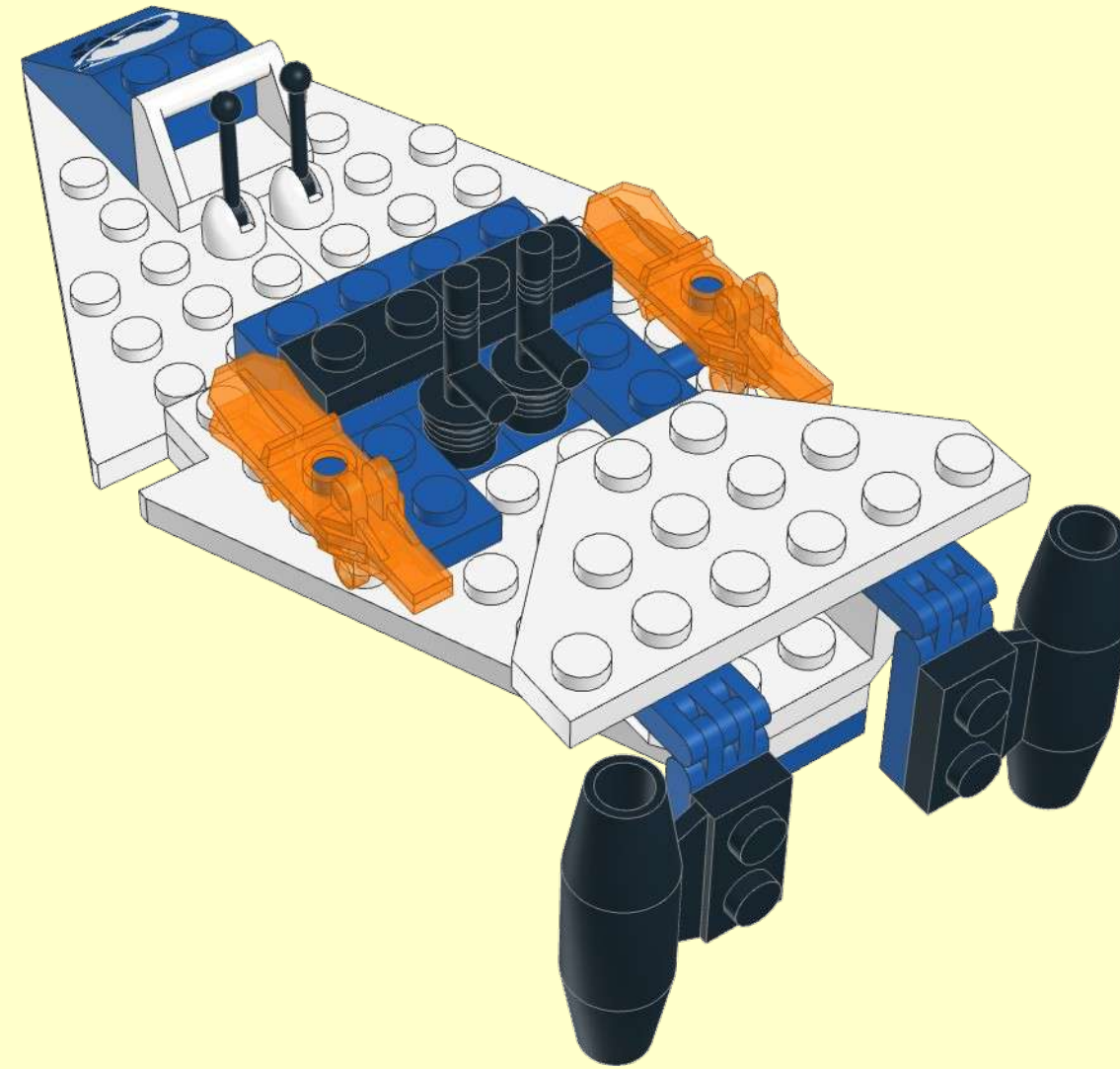
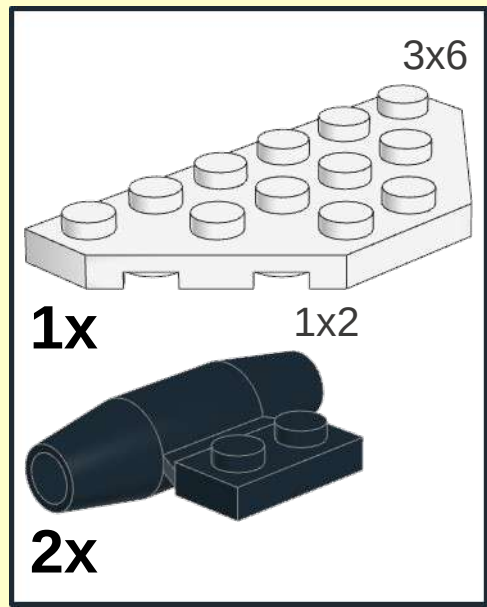
7



8




9




10

2x2

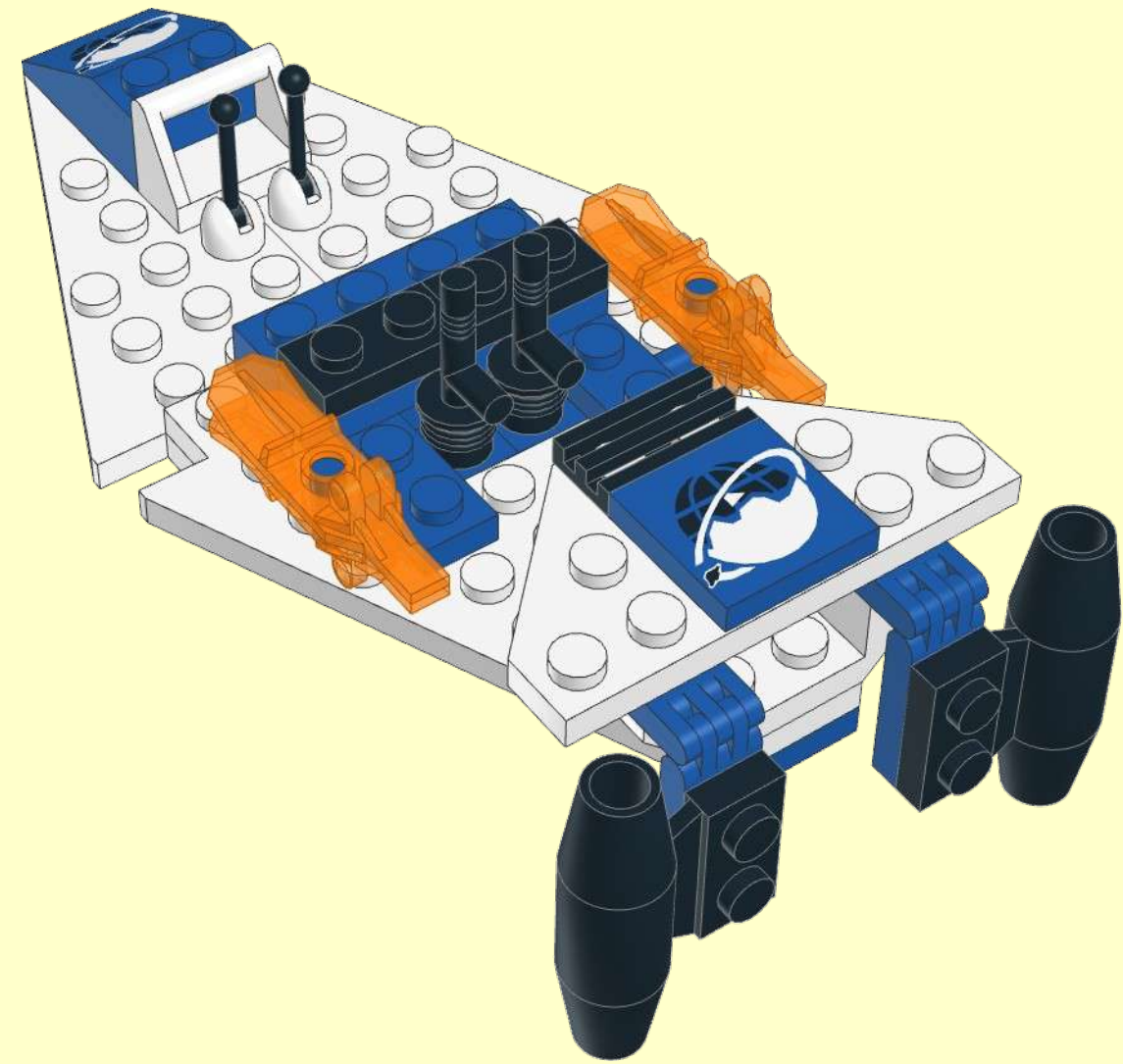


1x

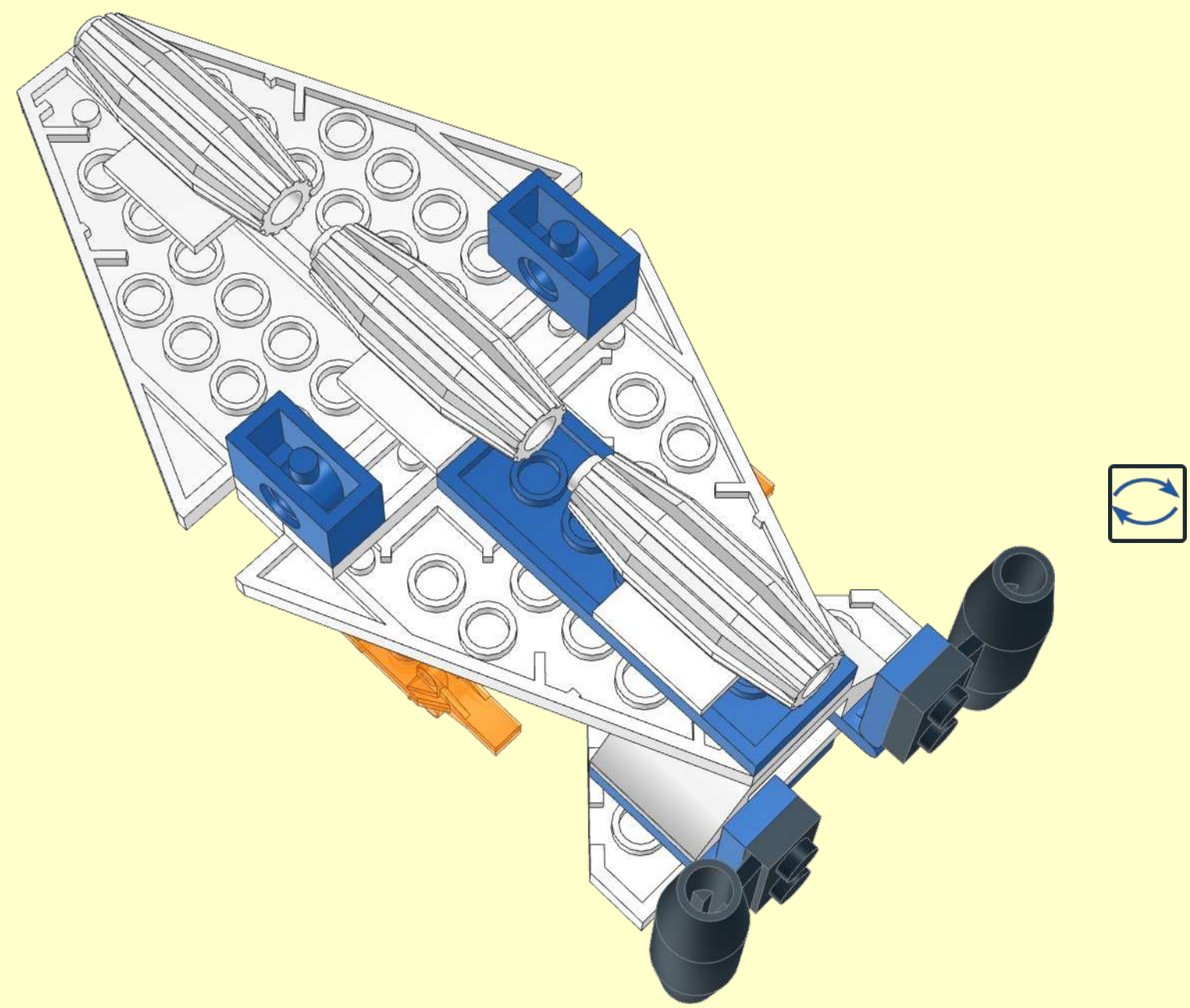
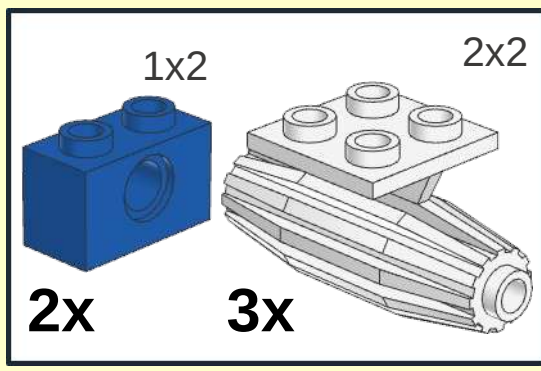
1x2



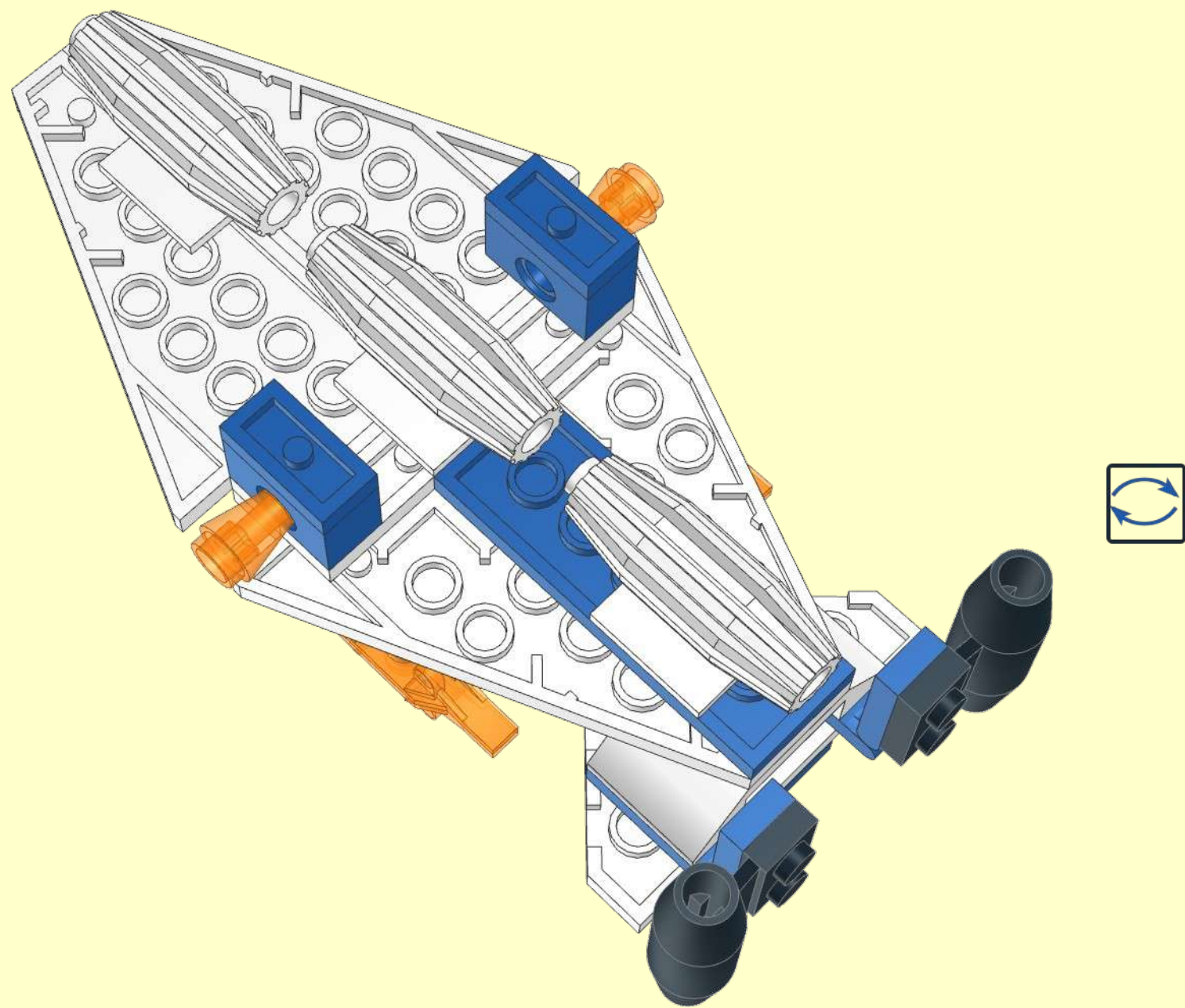
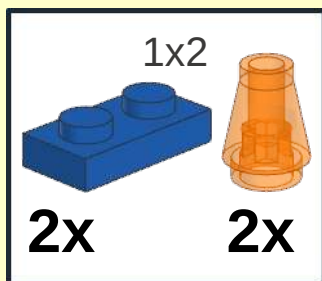
1x



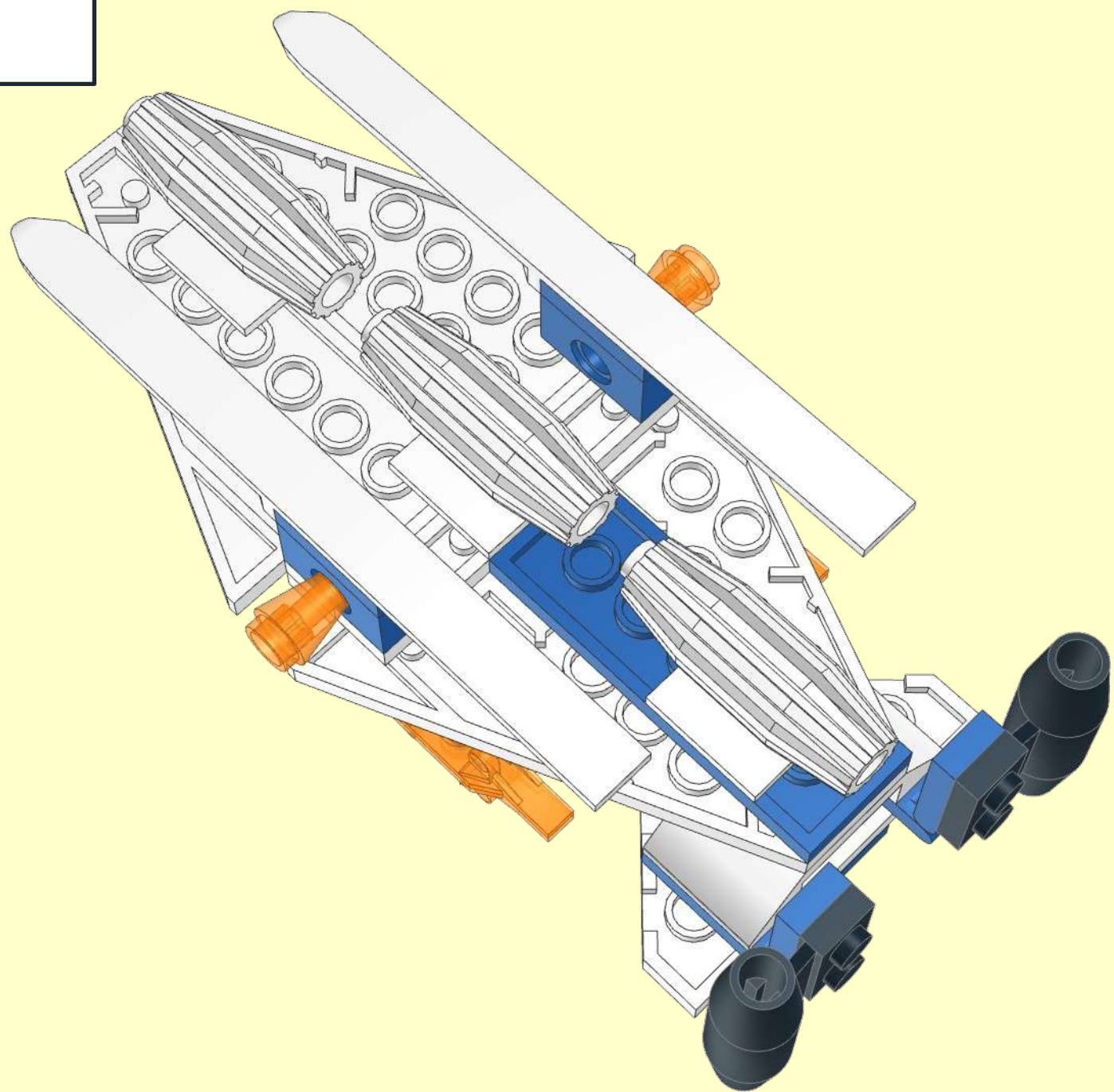
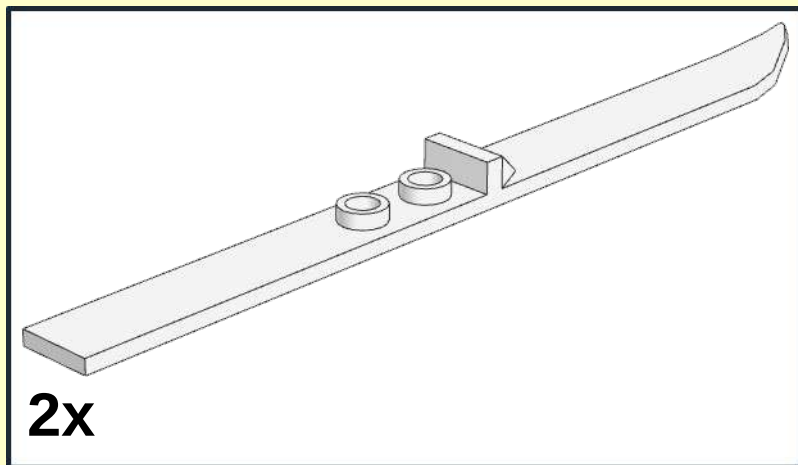
11



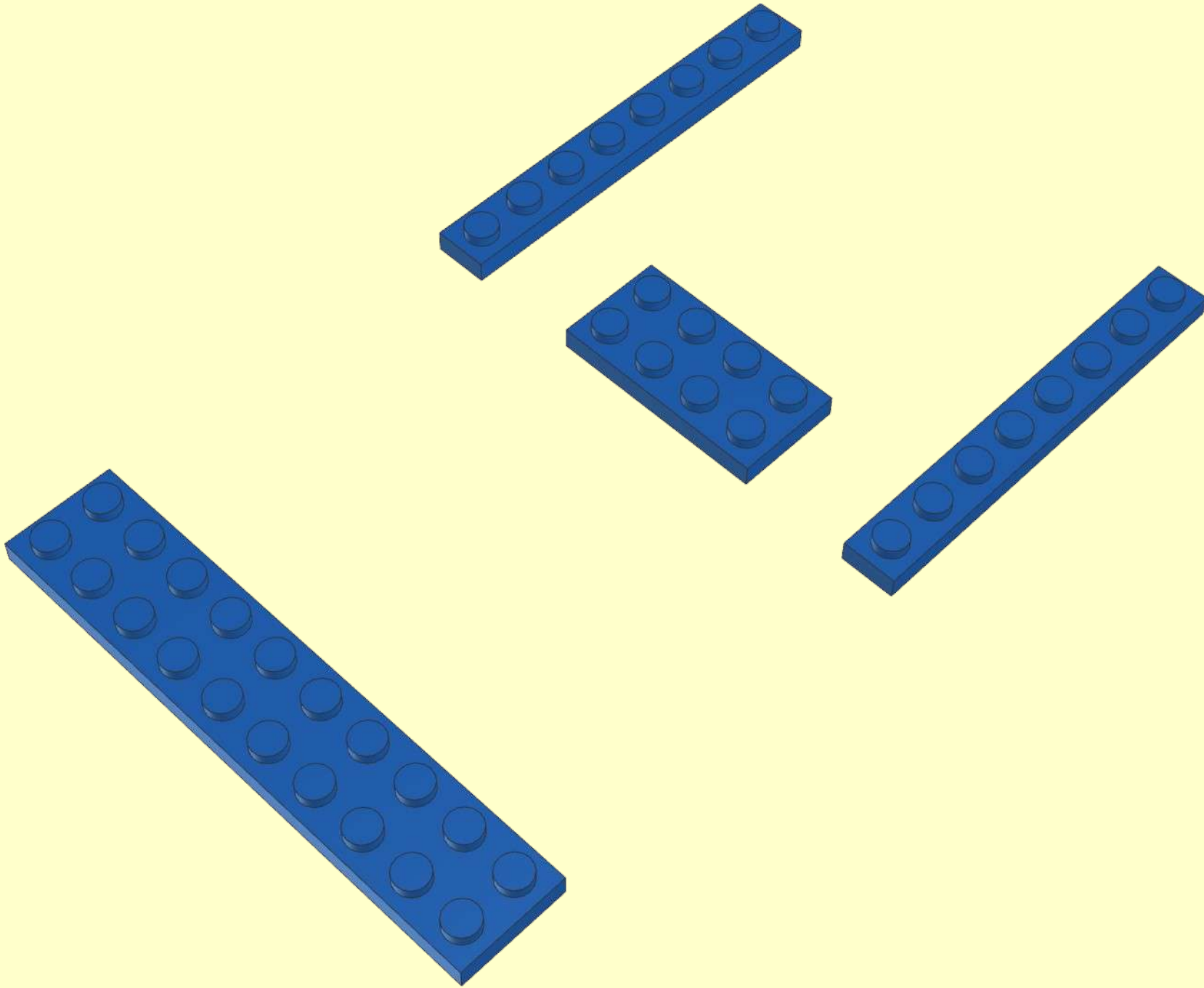
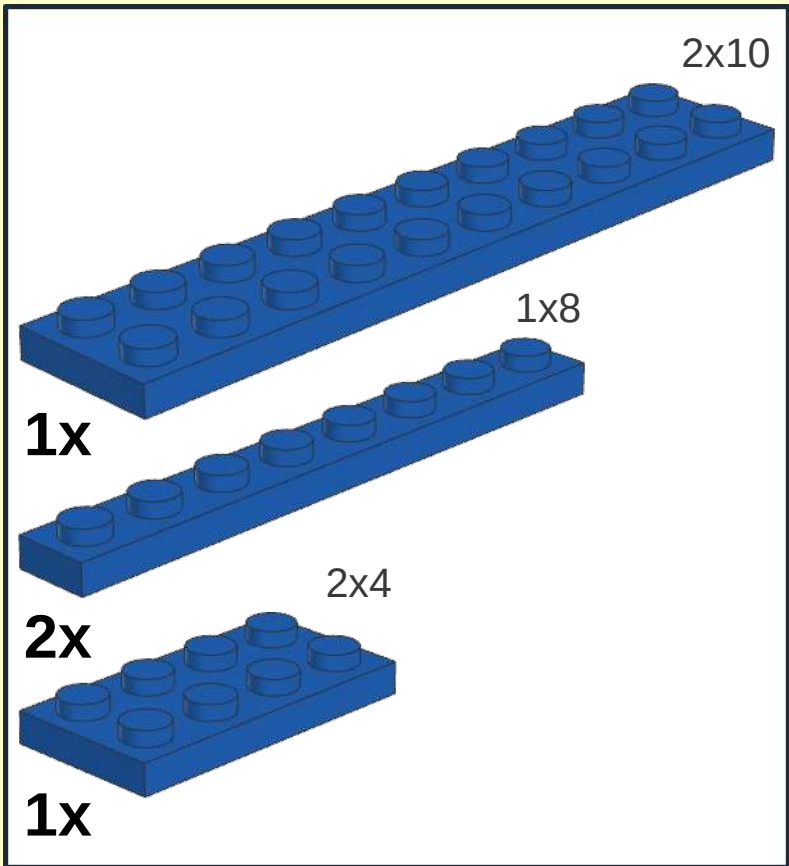
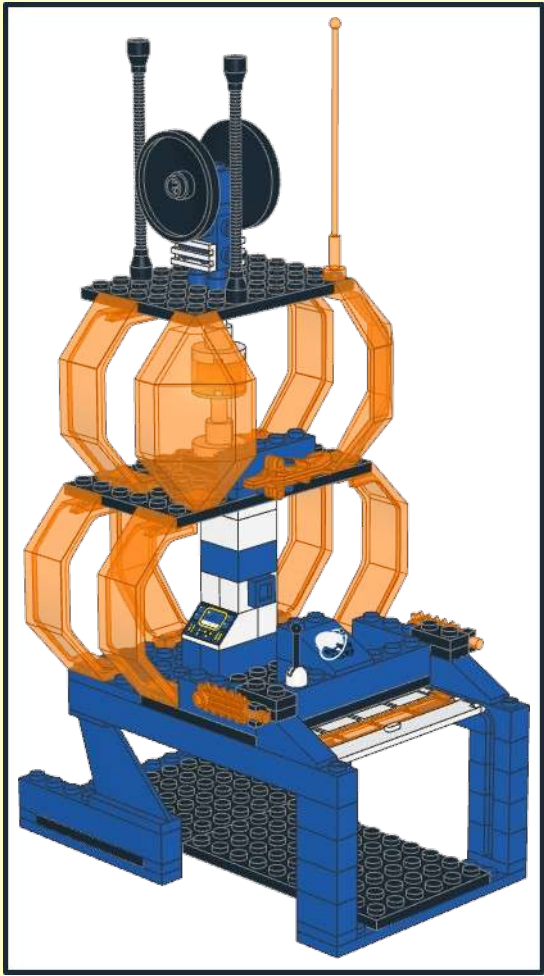
12



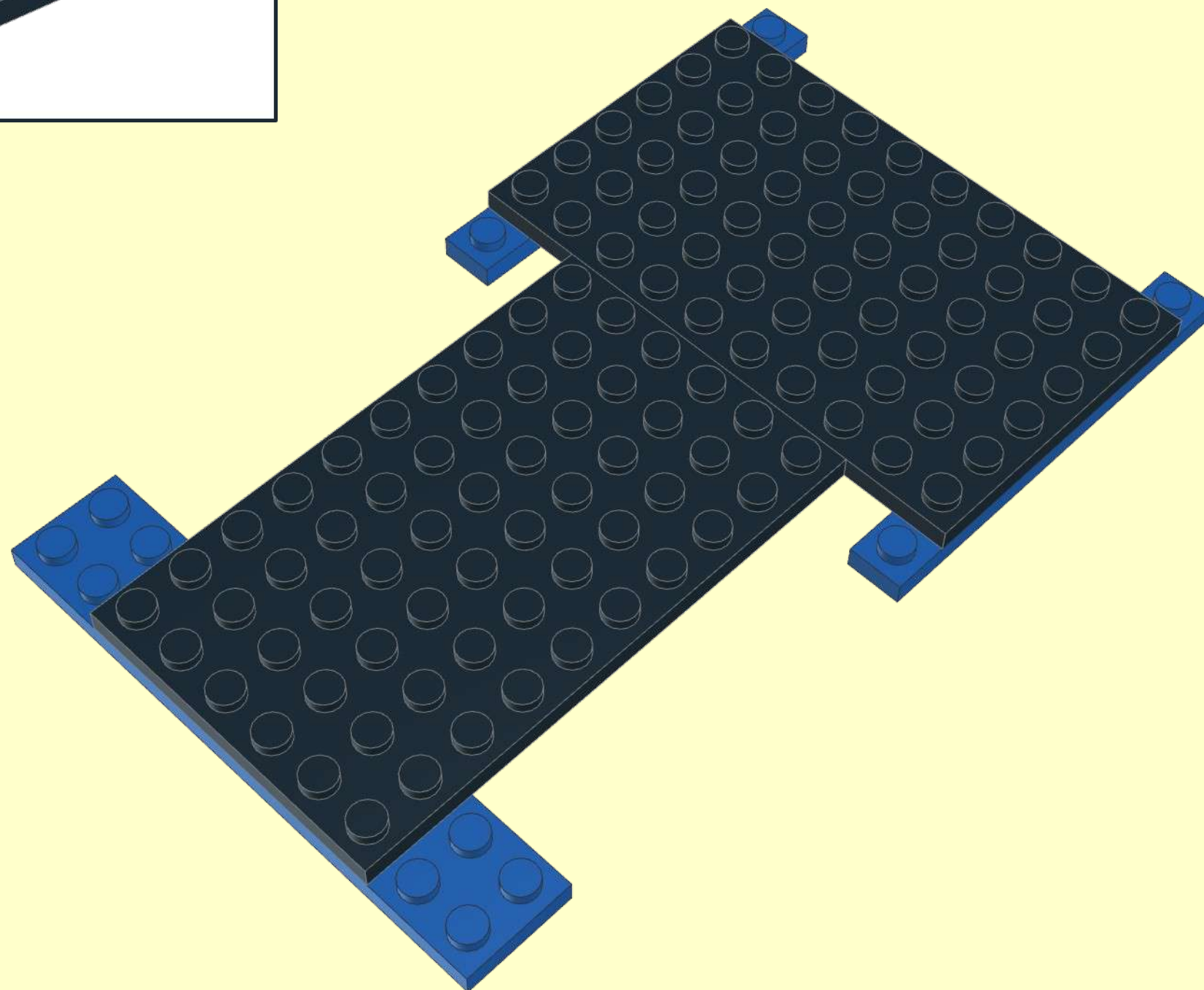
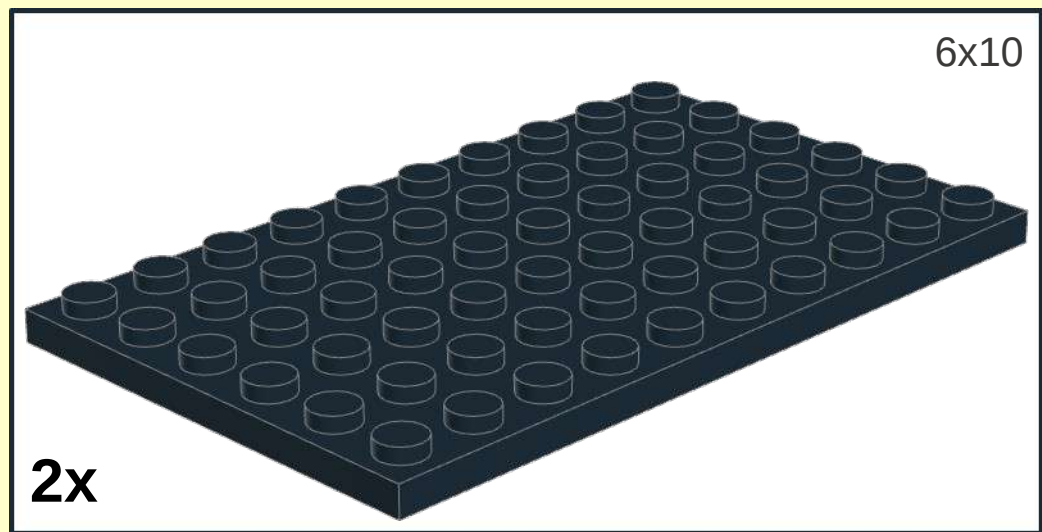
13



1



2



3

1x2

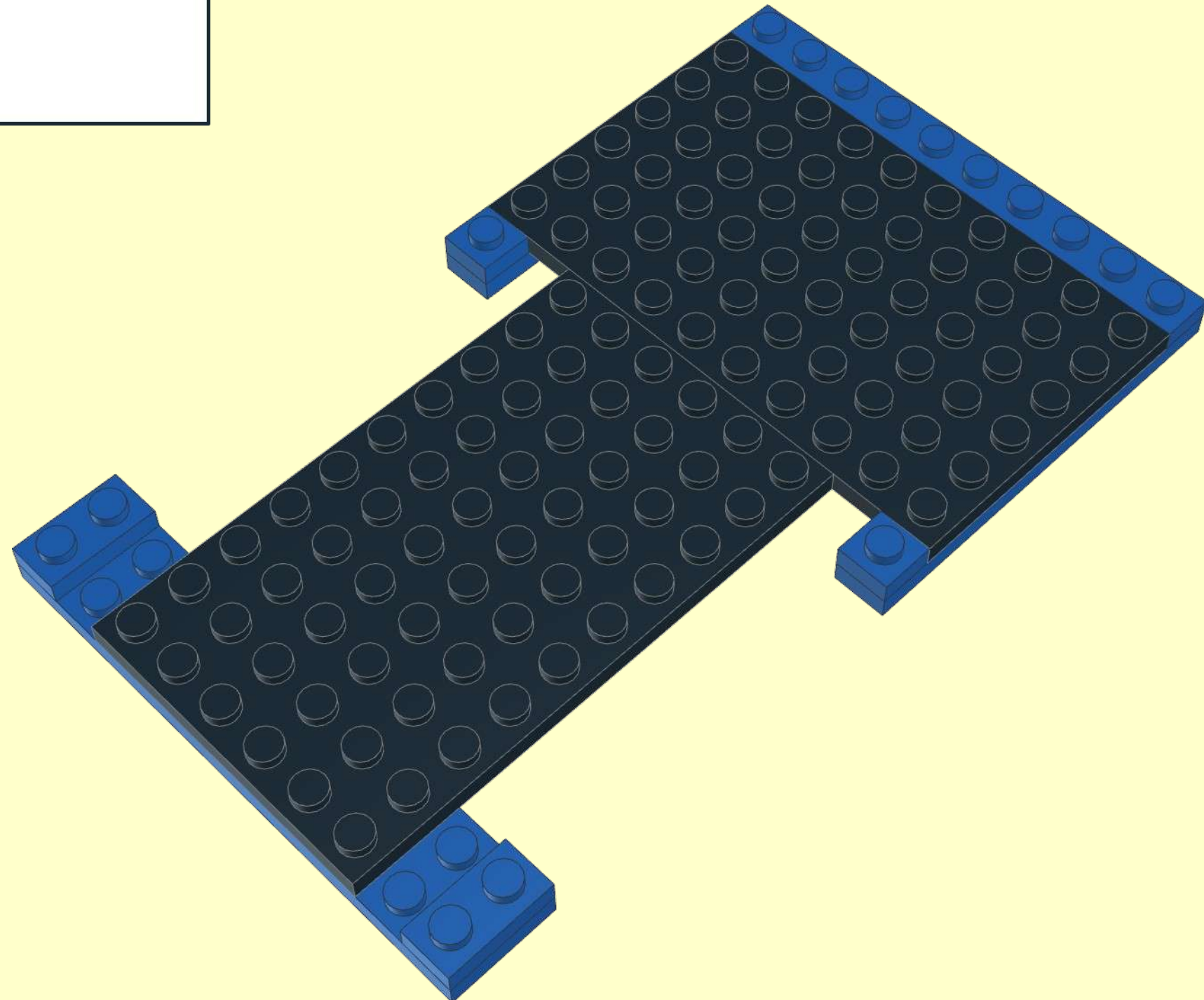
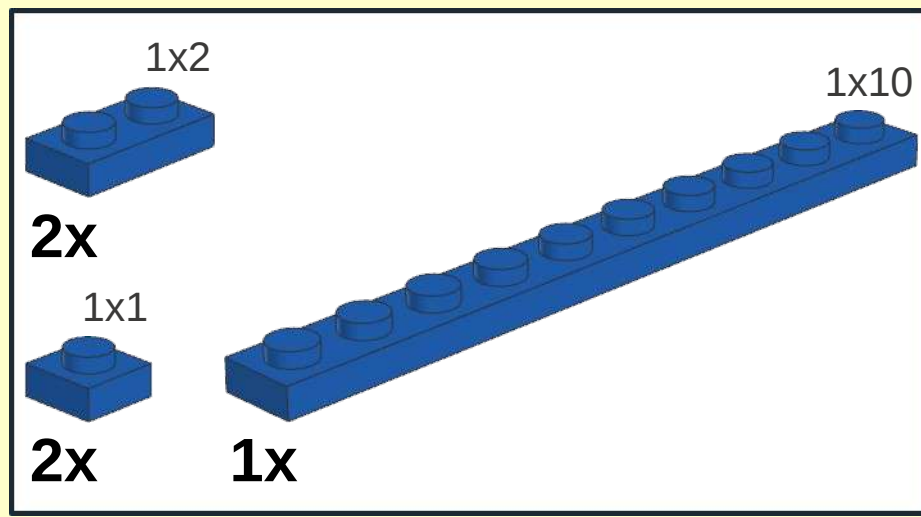
1x10

2x

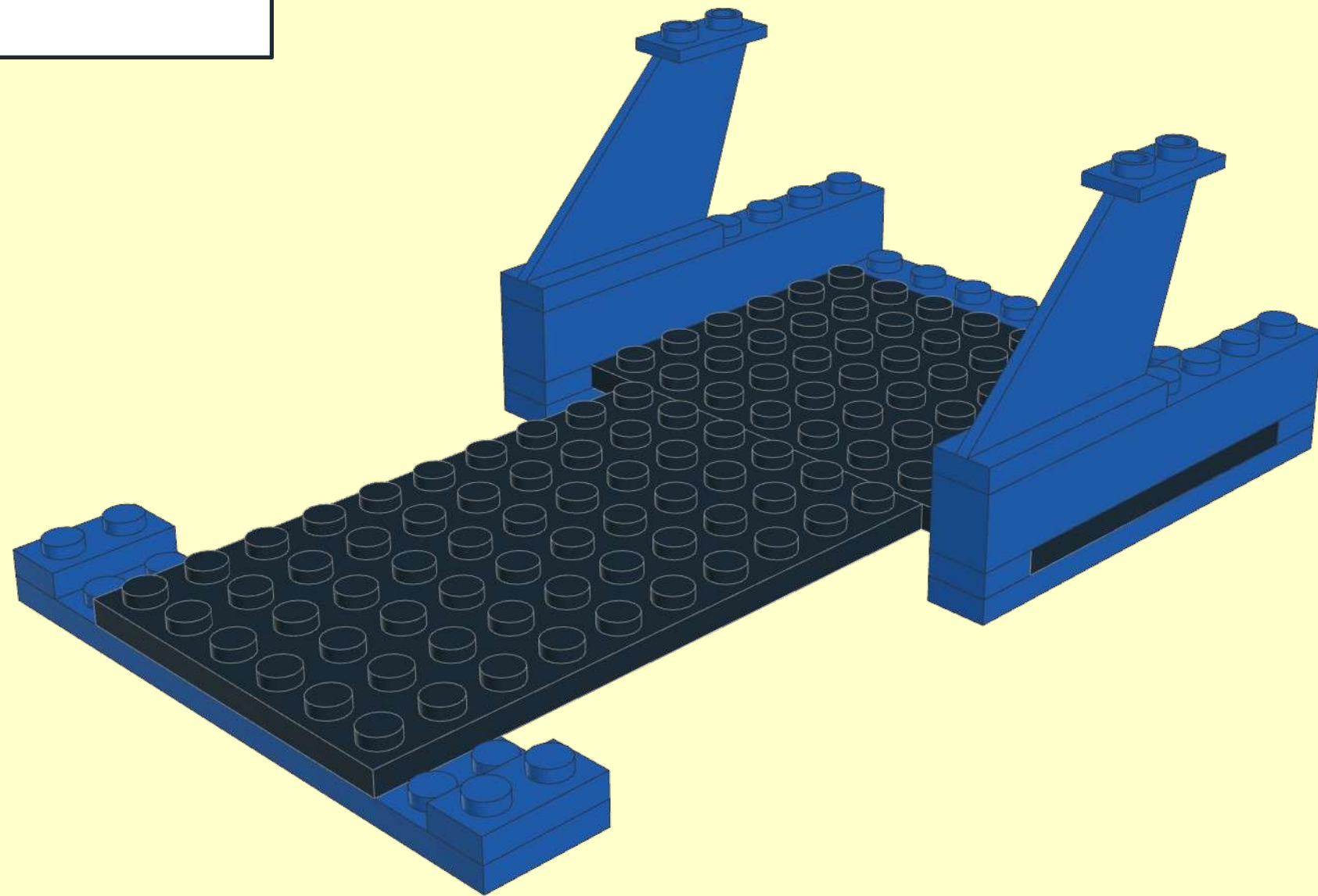
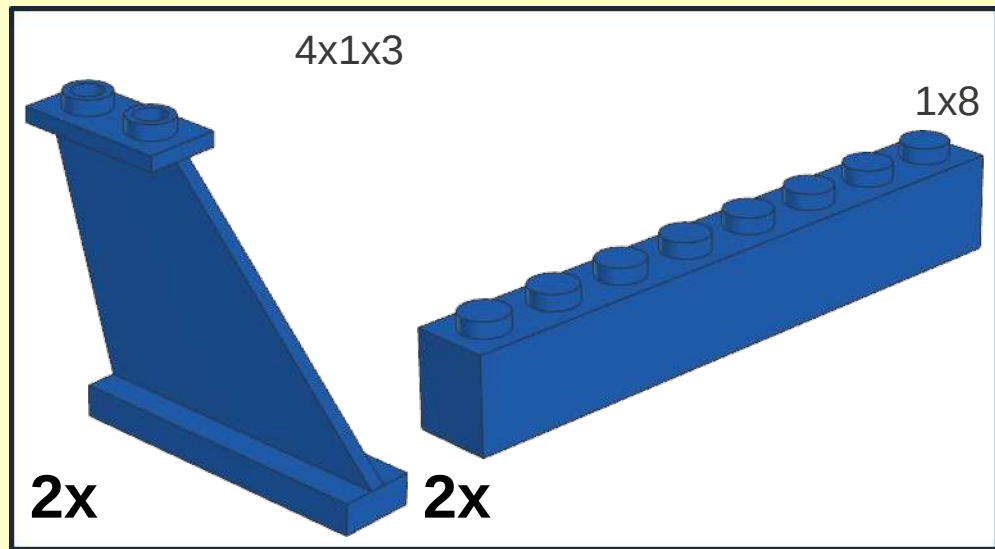
1x1

2x

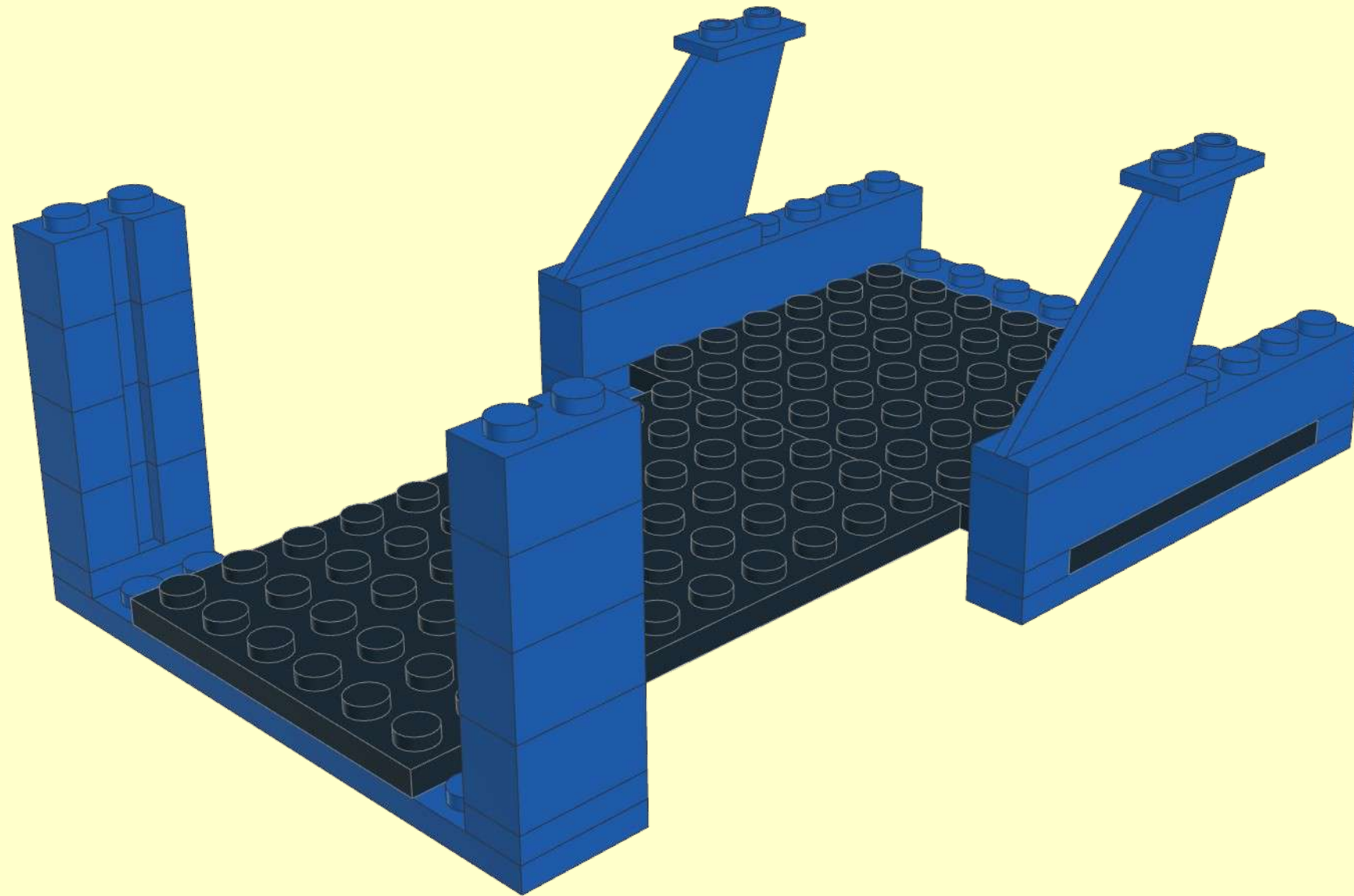
1x



4

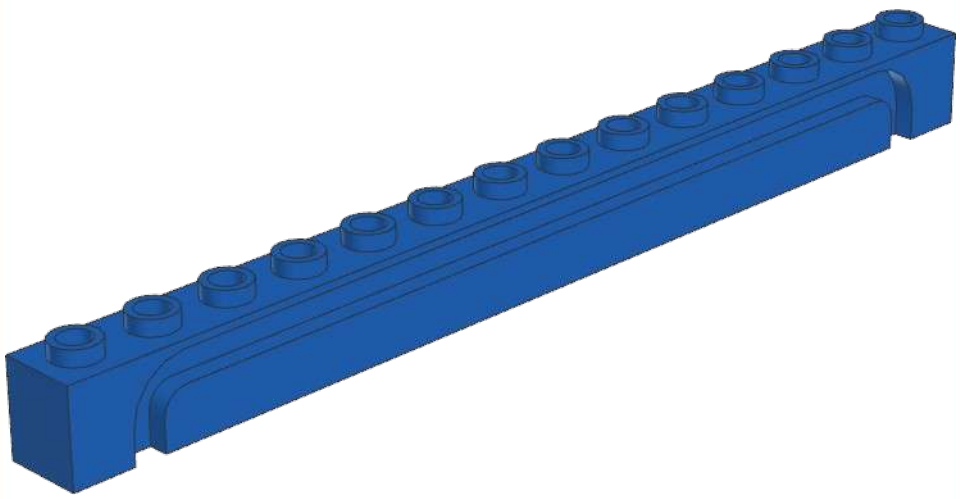


5

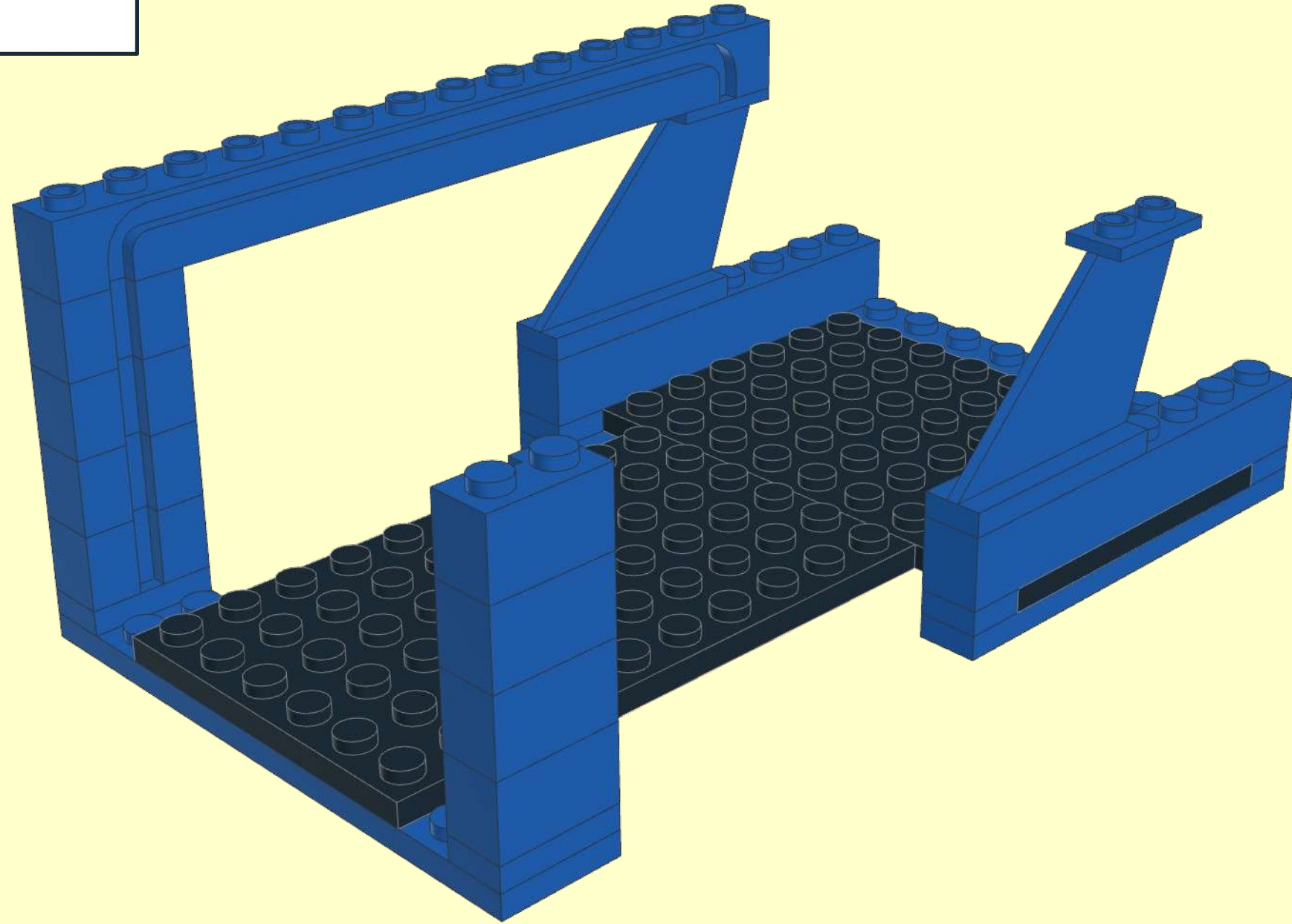


6

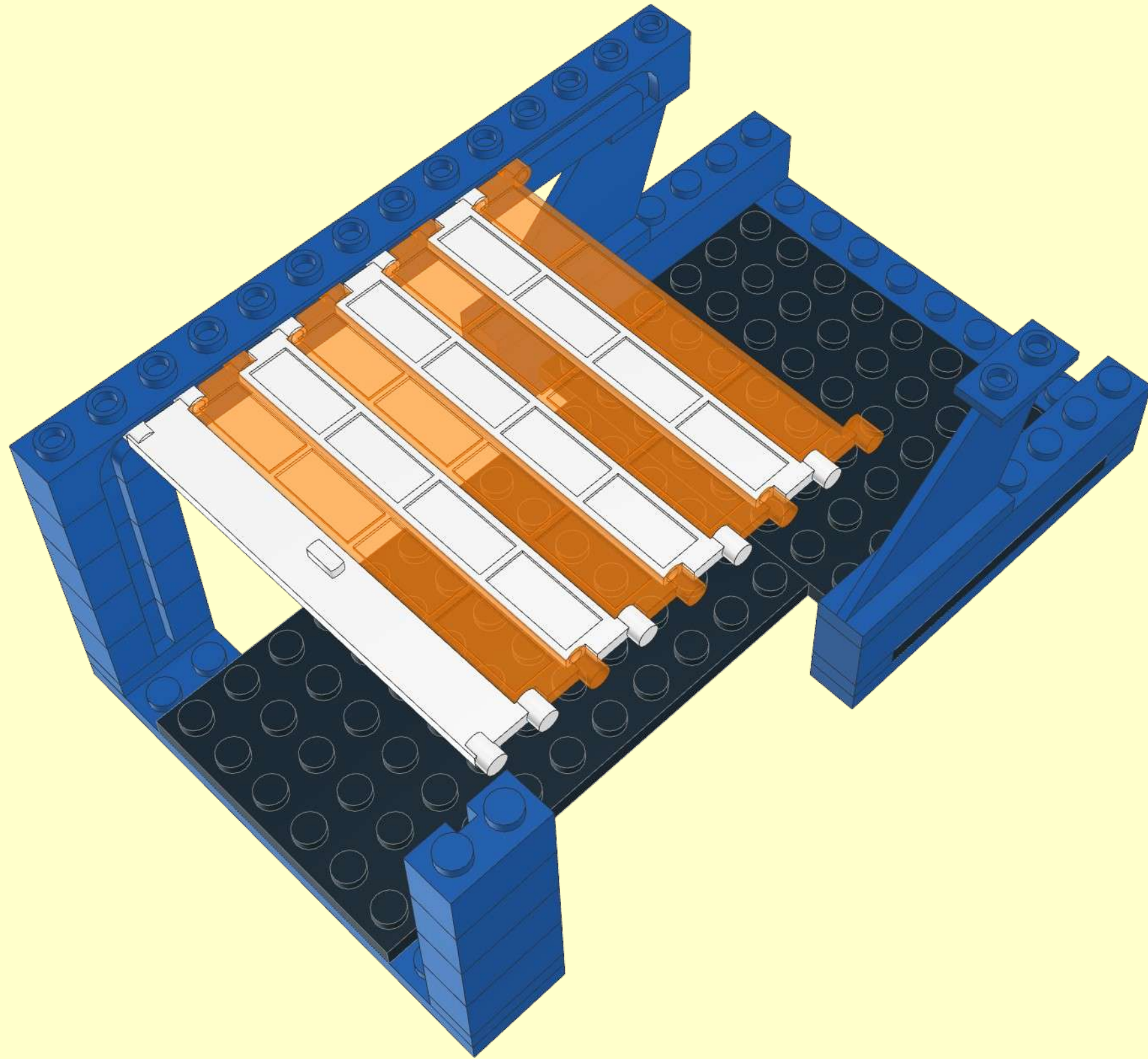
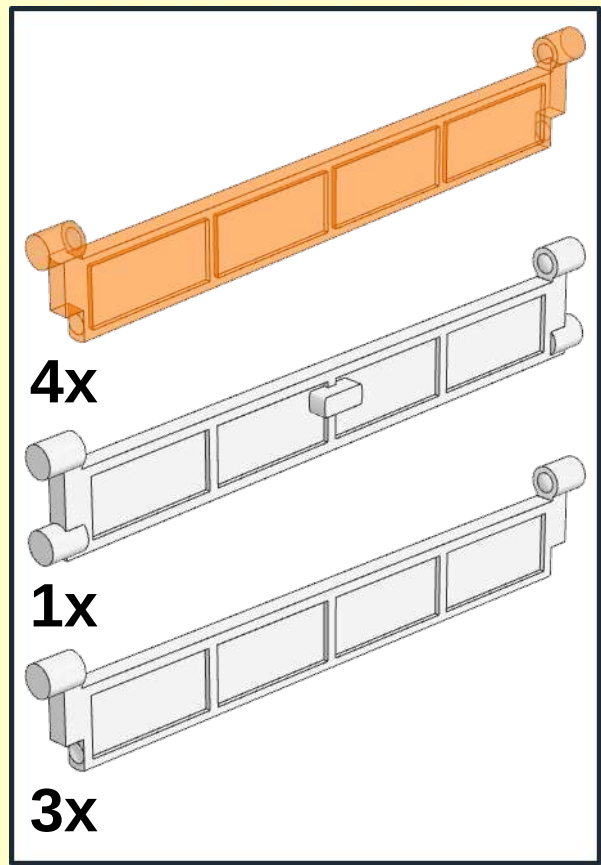
1x14



1x

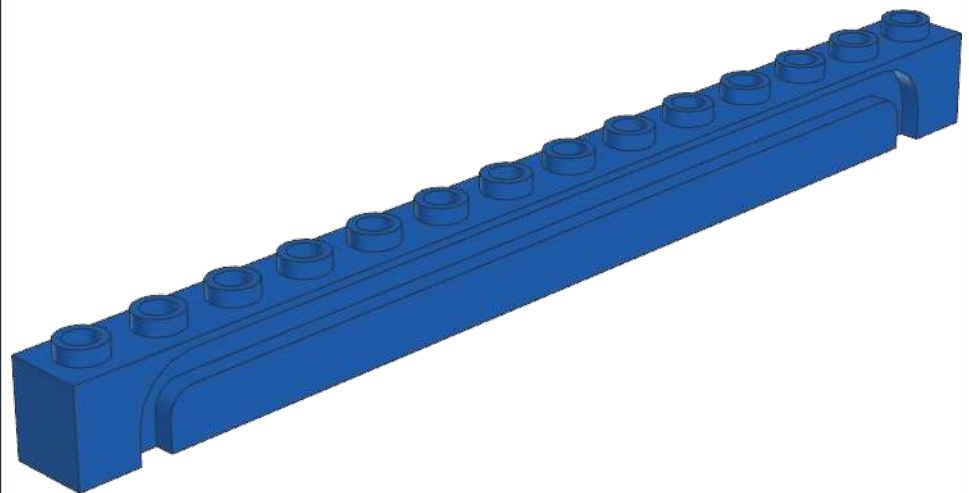


7

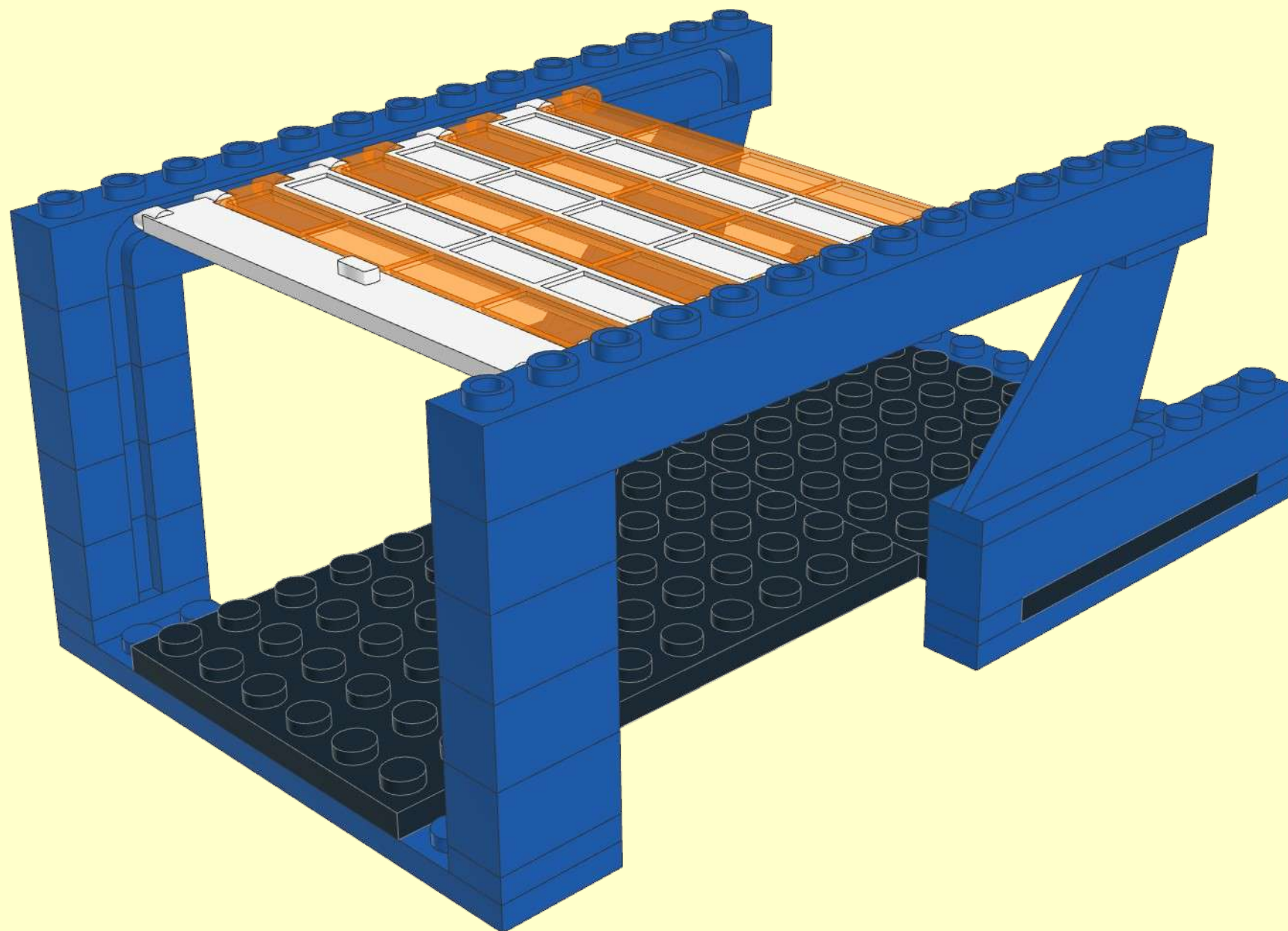


8

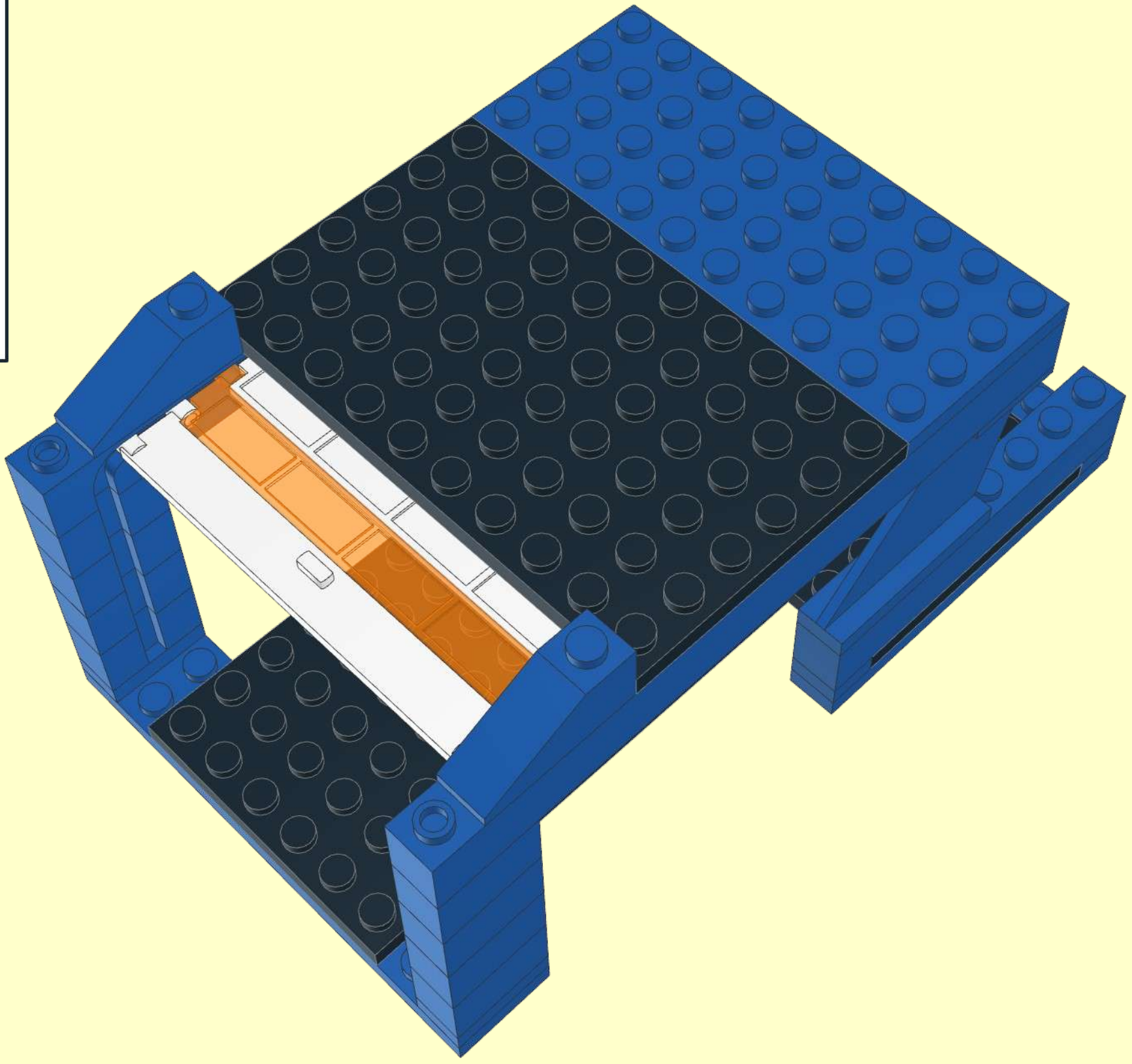
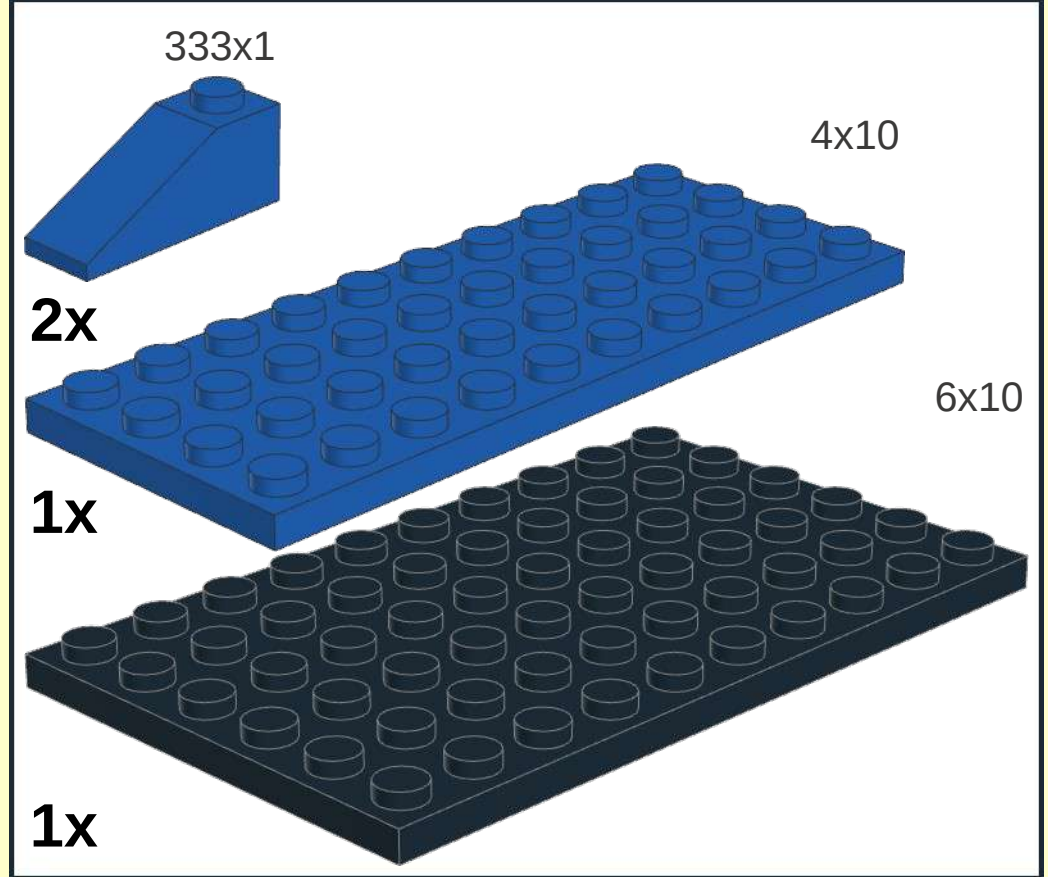
1x14

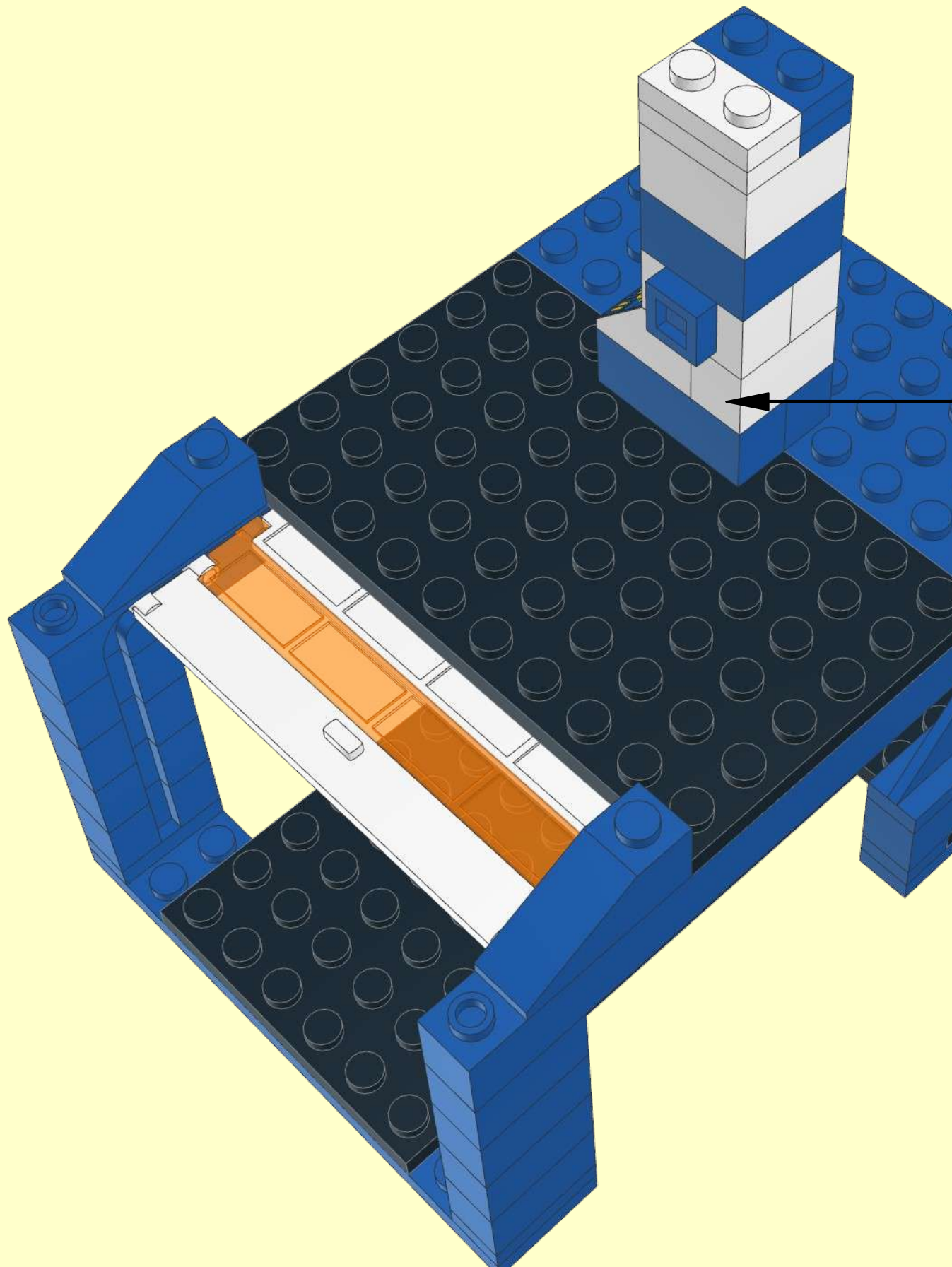


1x



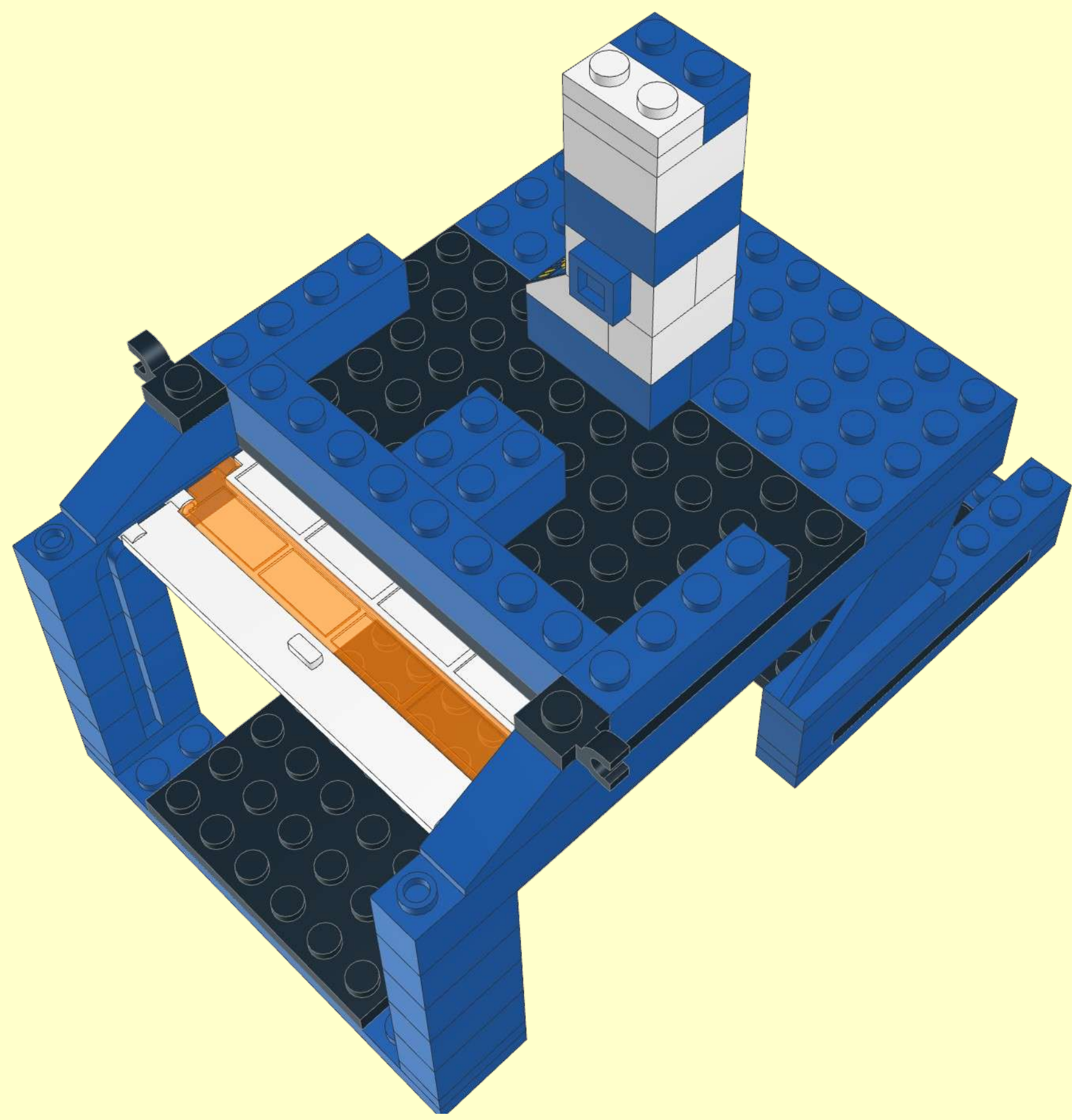
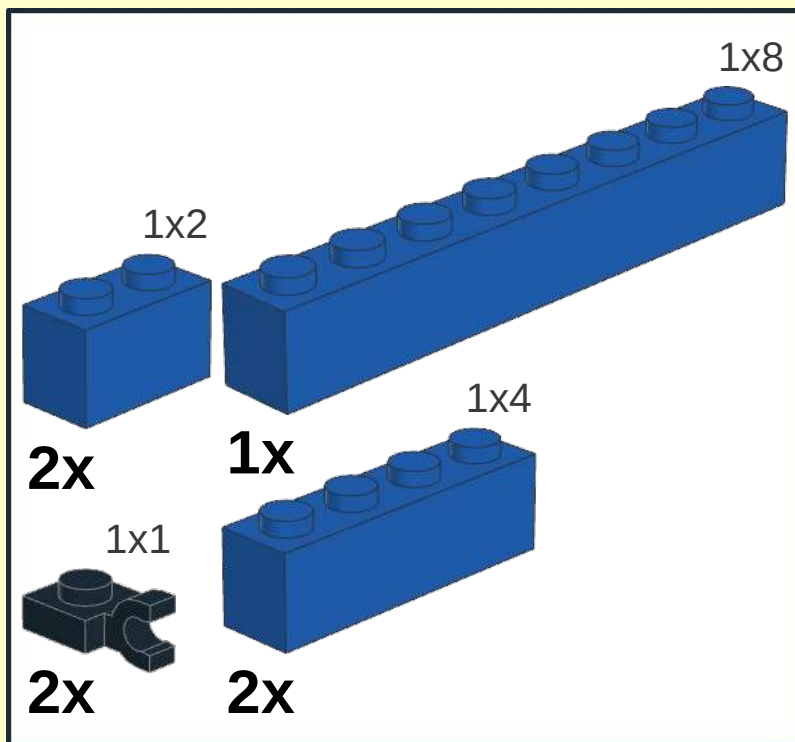
9



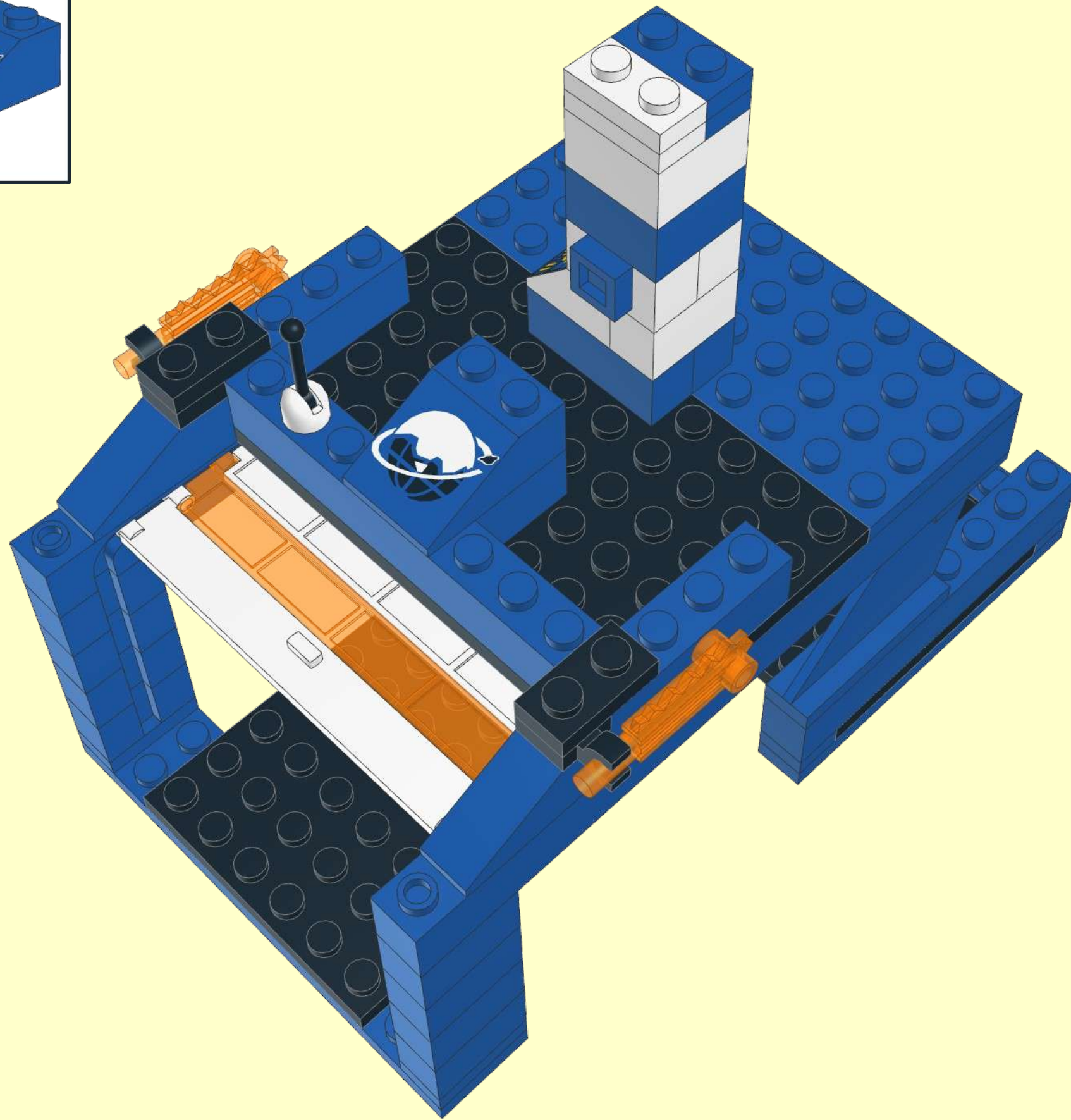
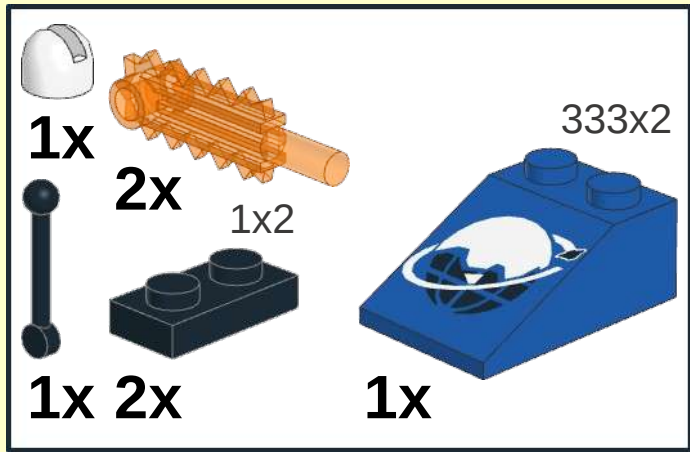


| | | | |
|---|---|---|---|
| <p>1</p> <p>452x2</p> <p>1x</p> <p>1x2</p> <p>1x</p> <p>1x3</p> <p>2x</p> | <p>2</p> <p>1x2</p> <p>1x</p> <p>1x2</p> <p>1x</p> <p>1x1</p> <p>1x</p> | <p>3</p> <p>2x2</p> <p>1x</p> <p>2x2</p> <p>1x</p> | <p>4</p> <p>1x2</p> <p>2x</p> <p>1x2</p> <p>2x</p> |
| | | | |

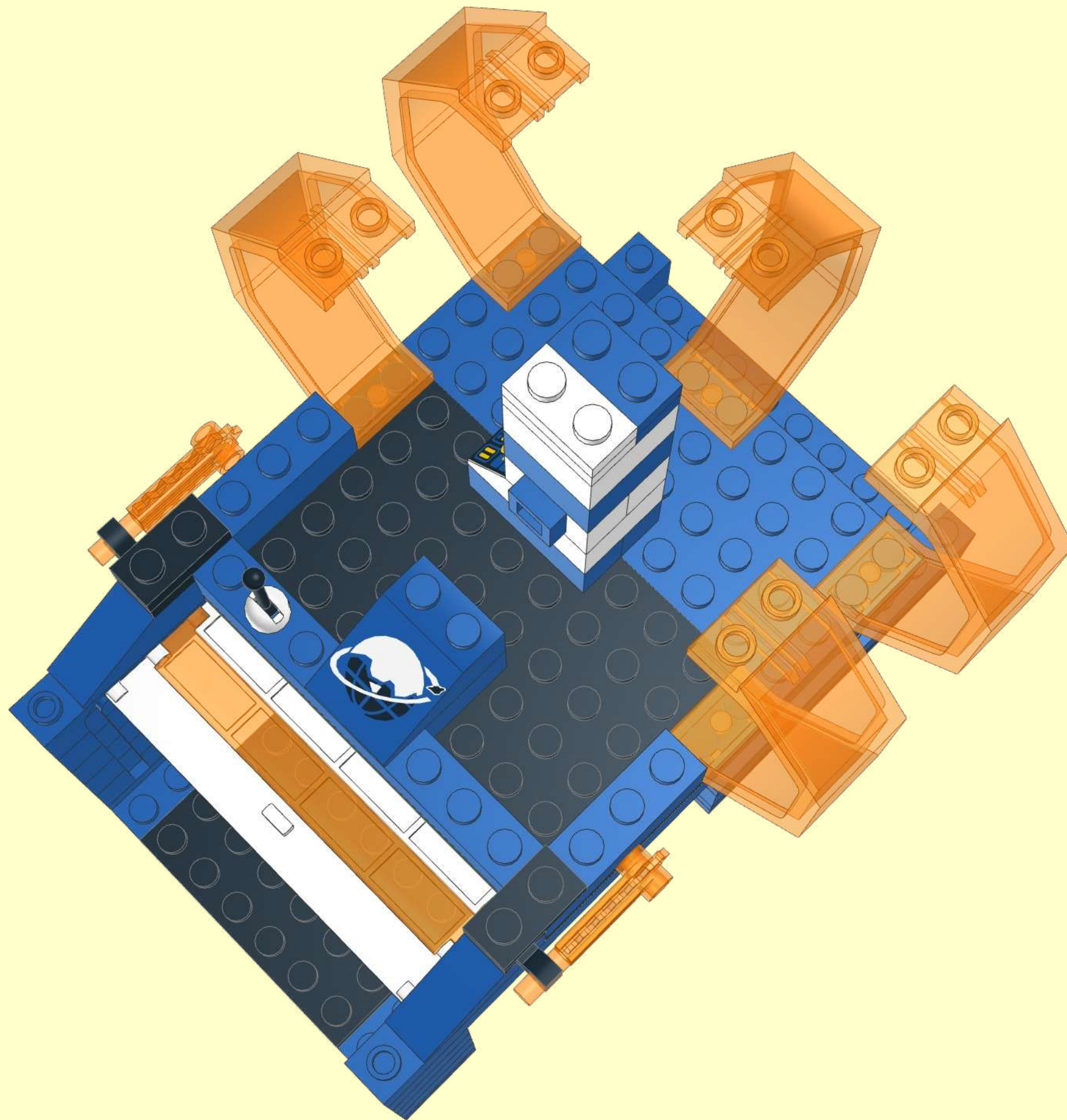
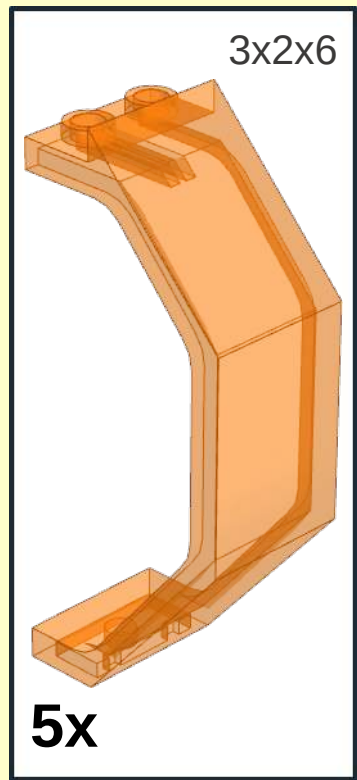
11



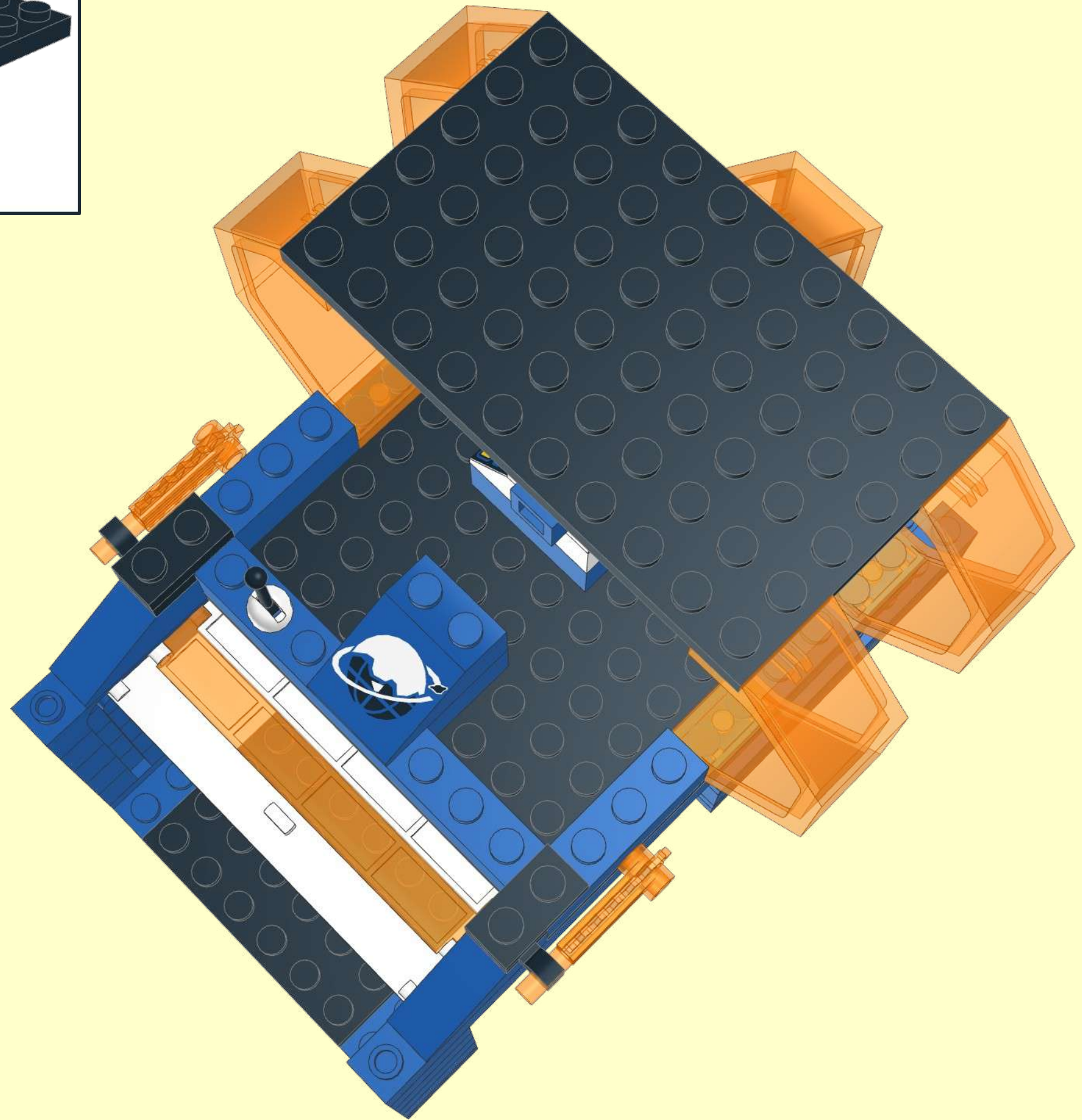
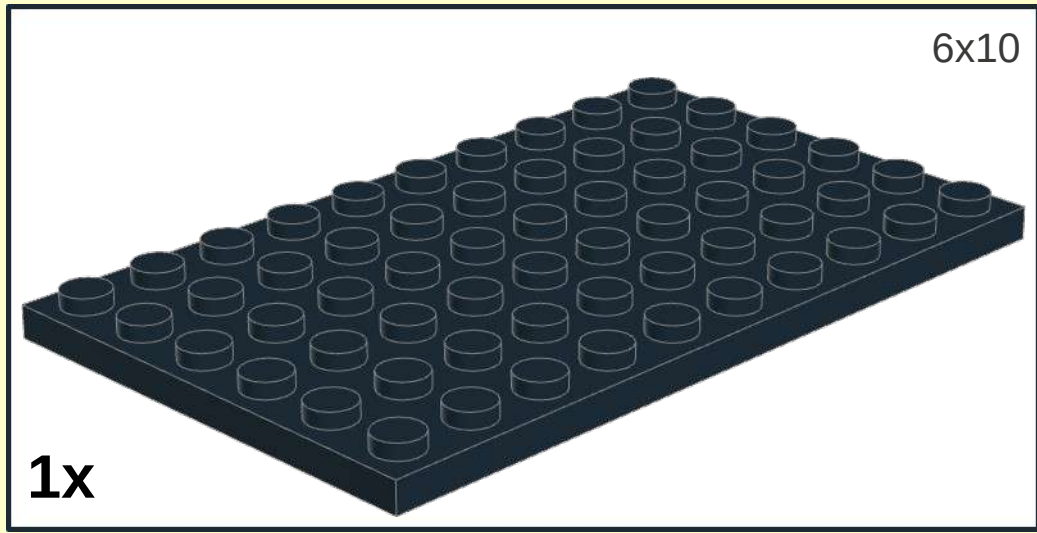
12



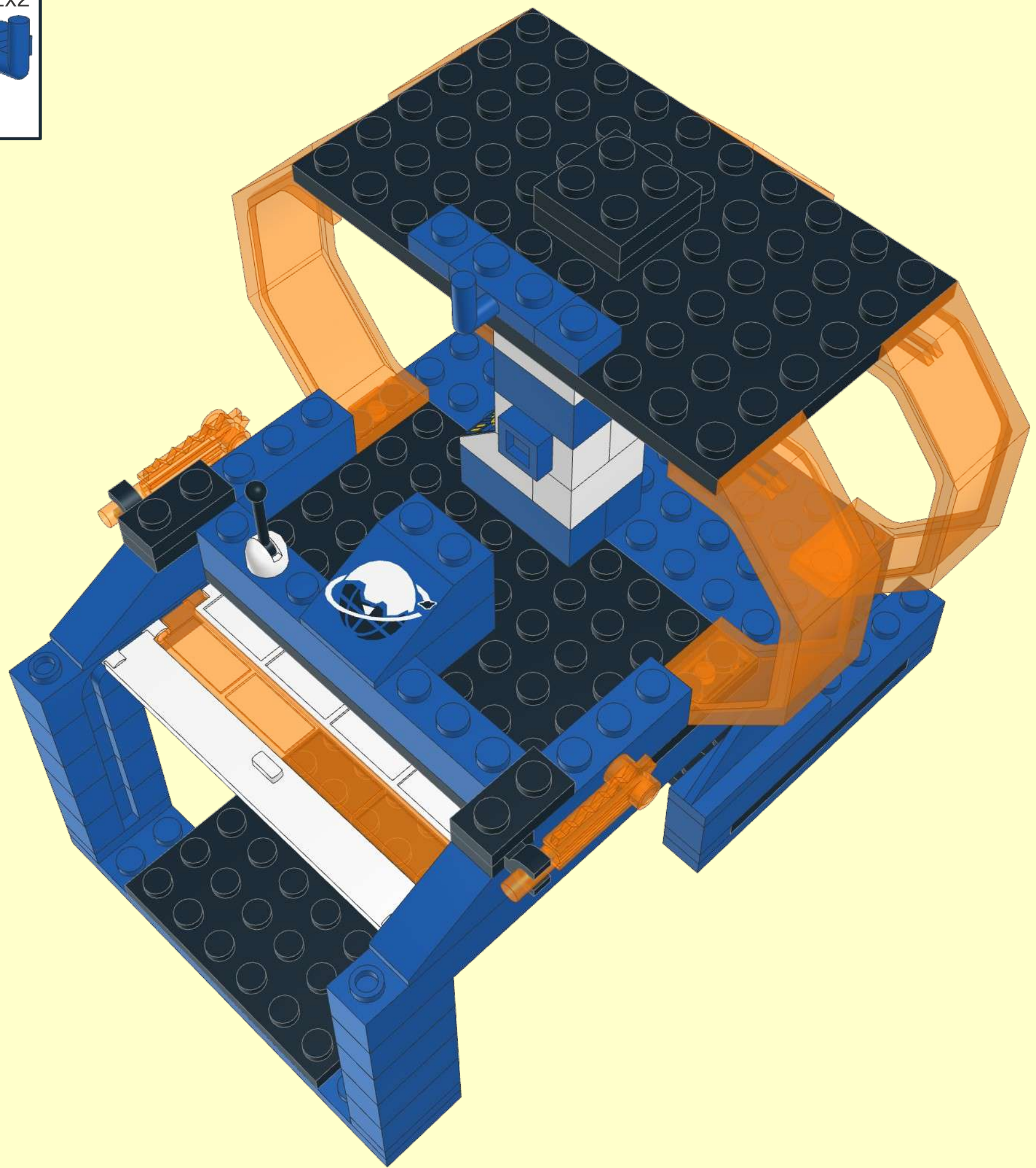
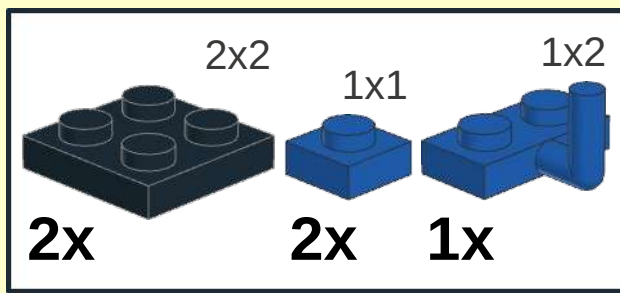
13



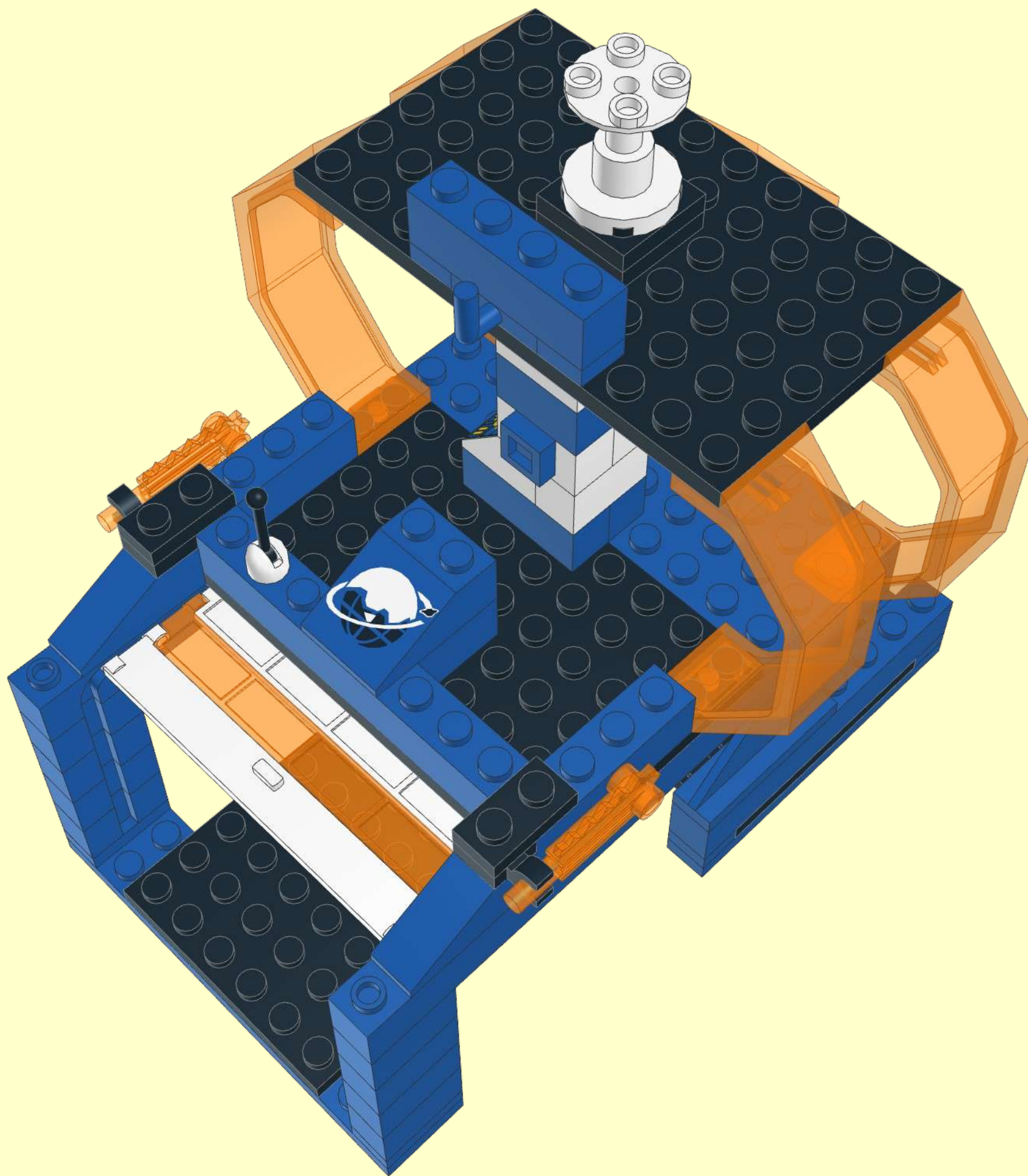
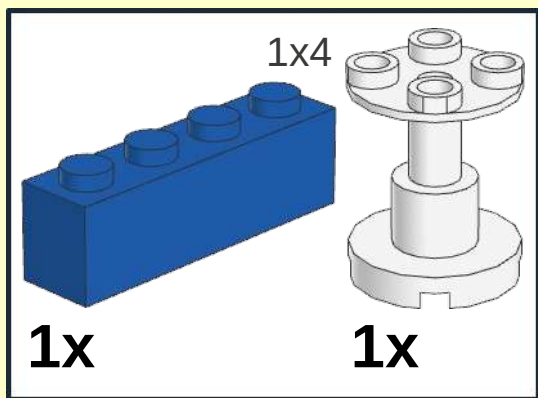
14



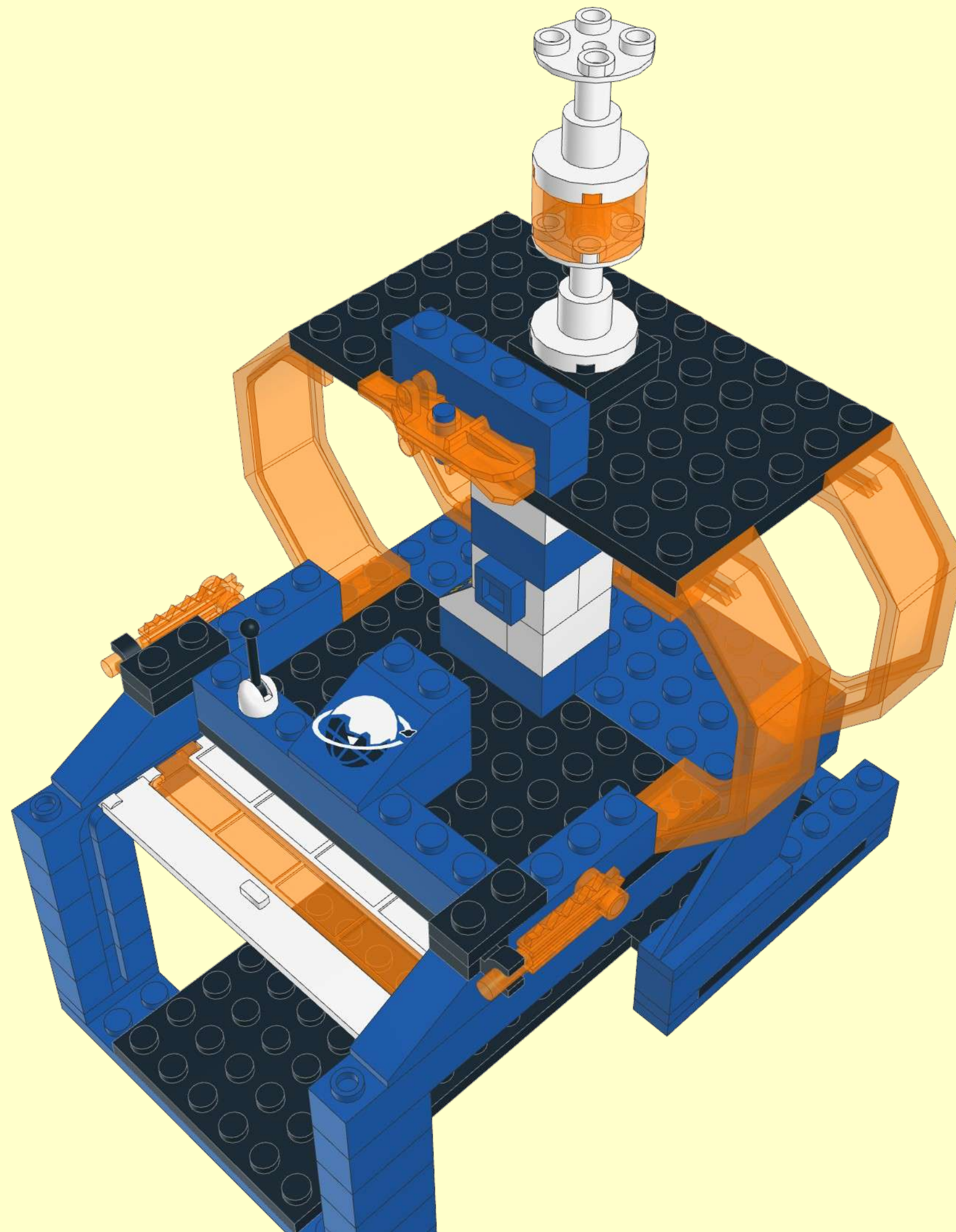
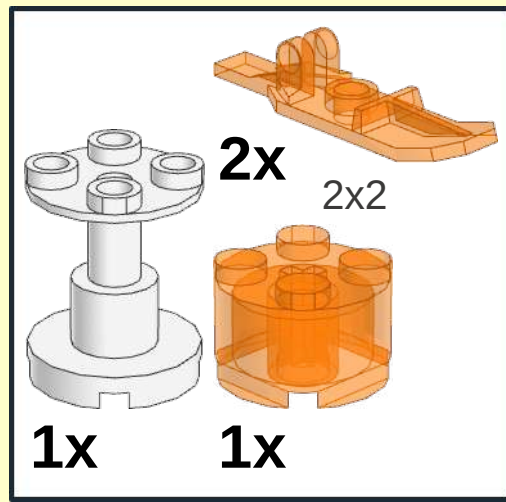
15



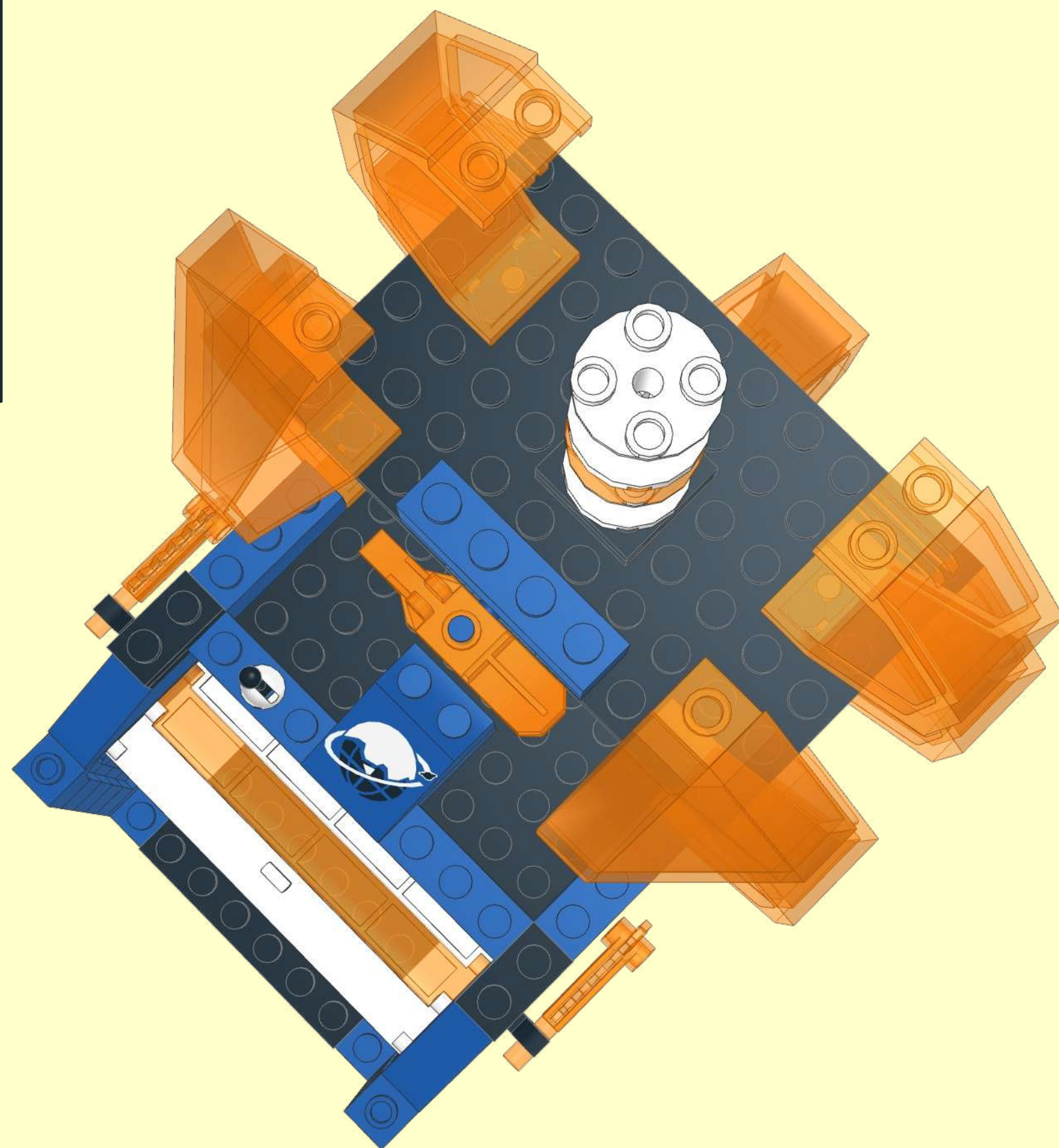
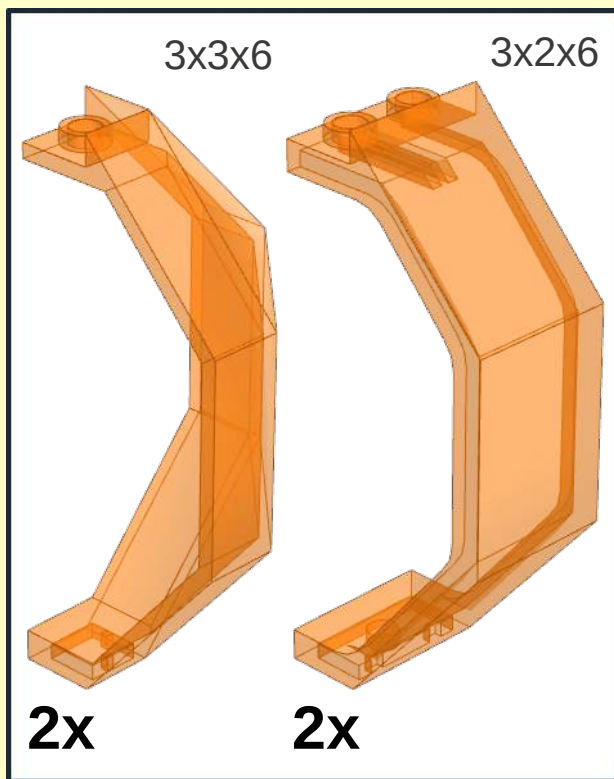
16



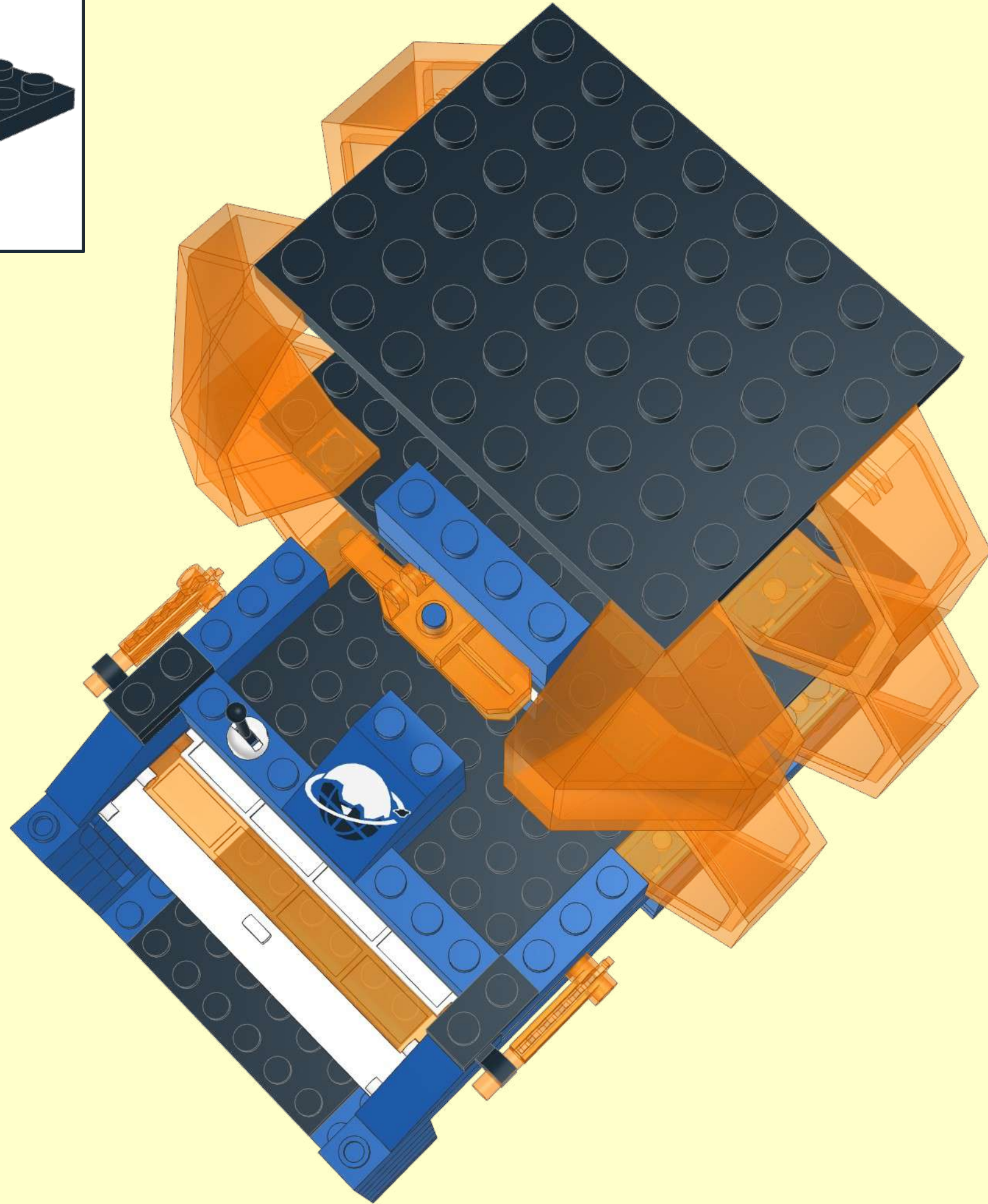
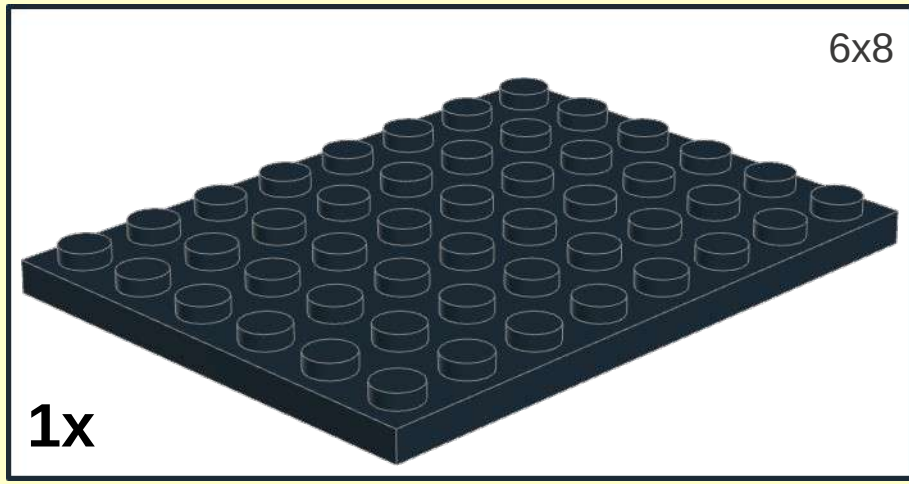
17

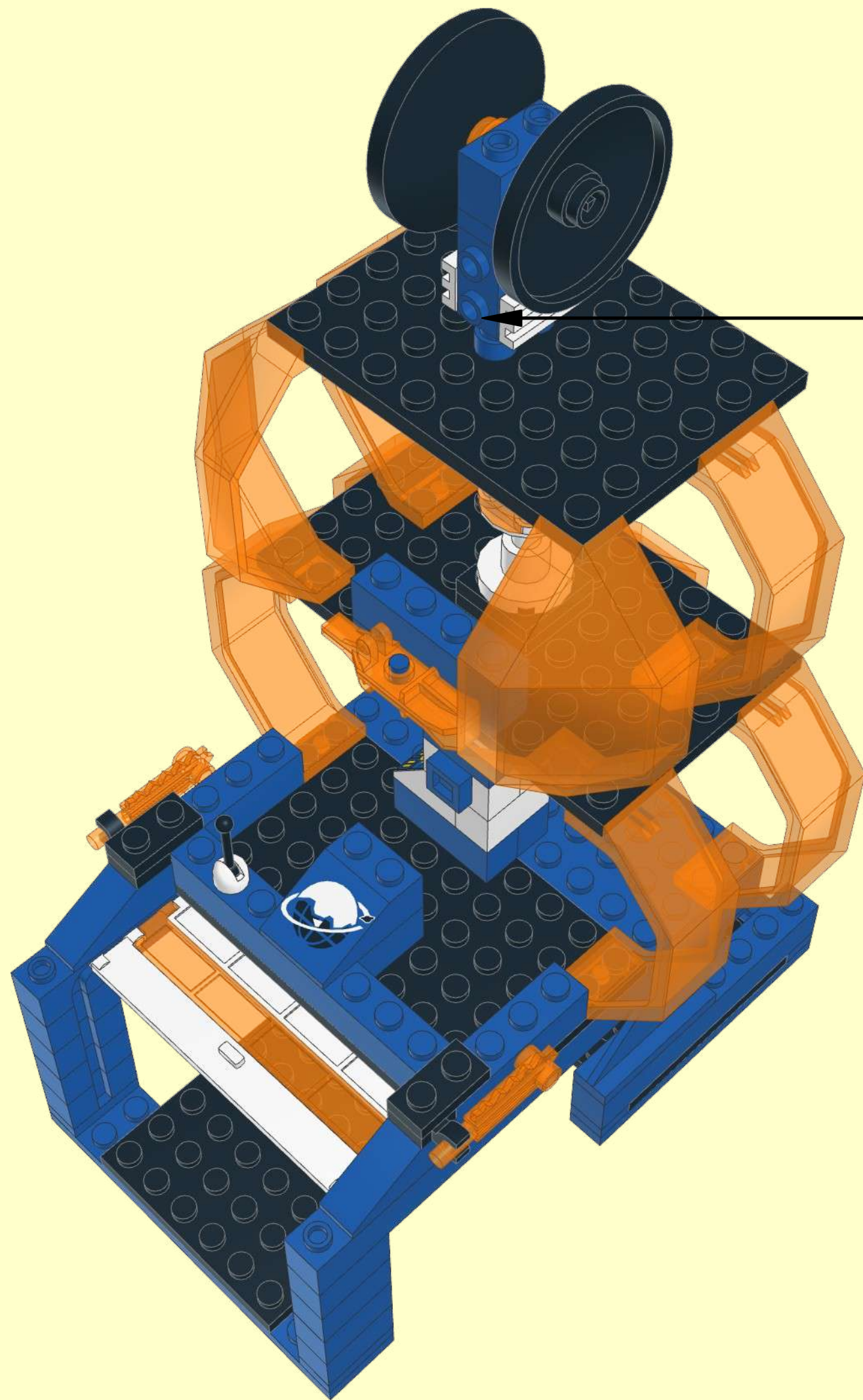


18



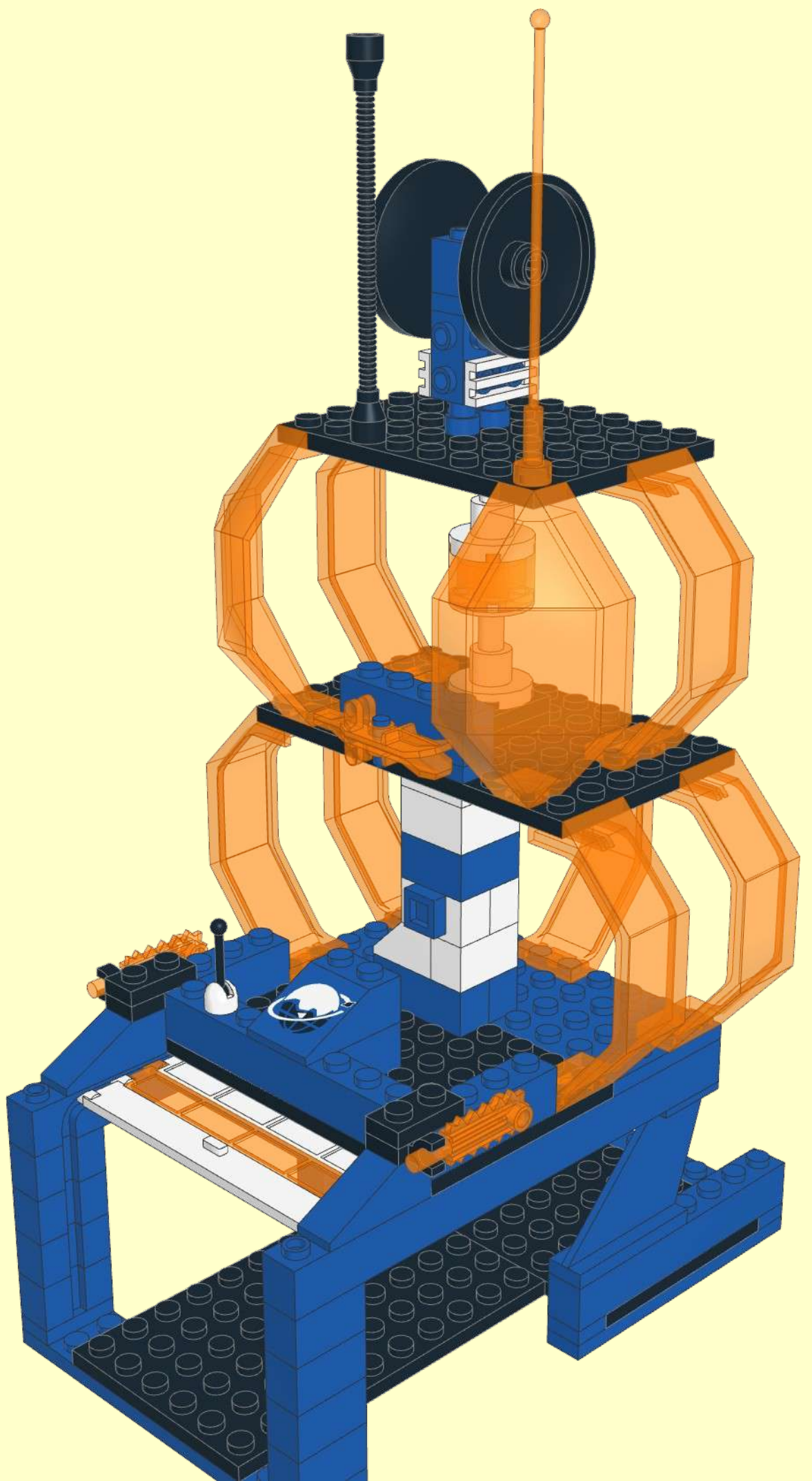
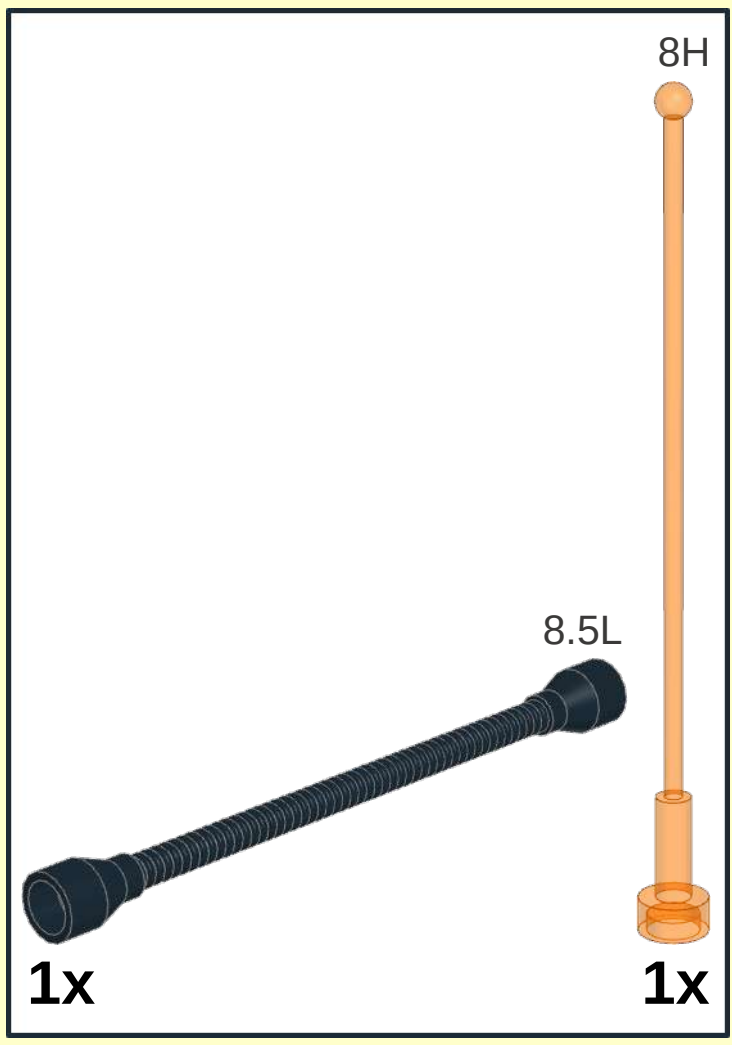
19

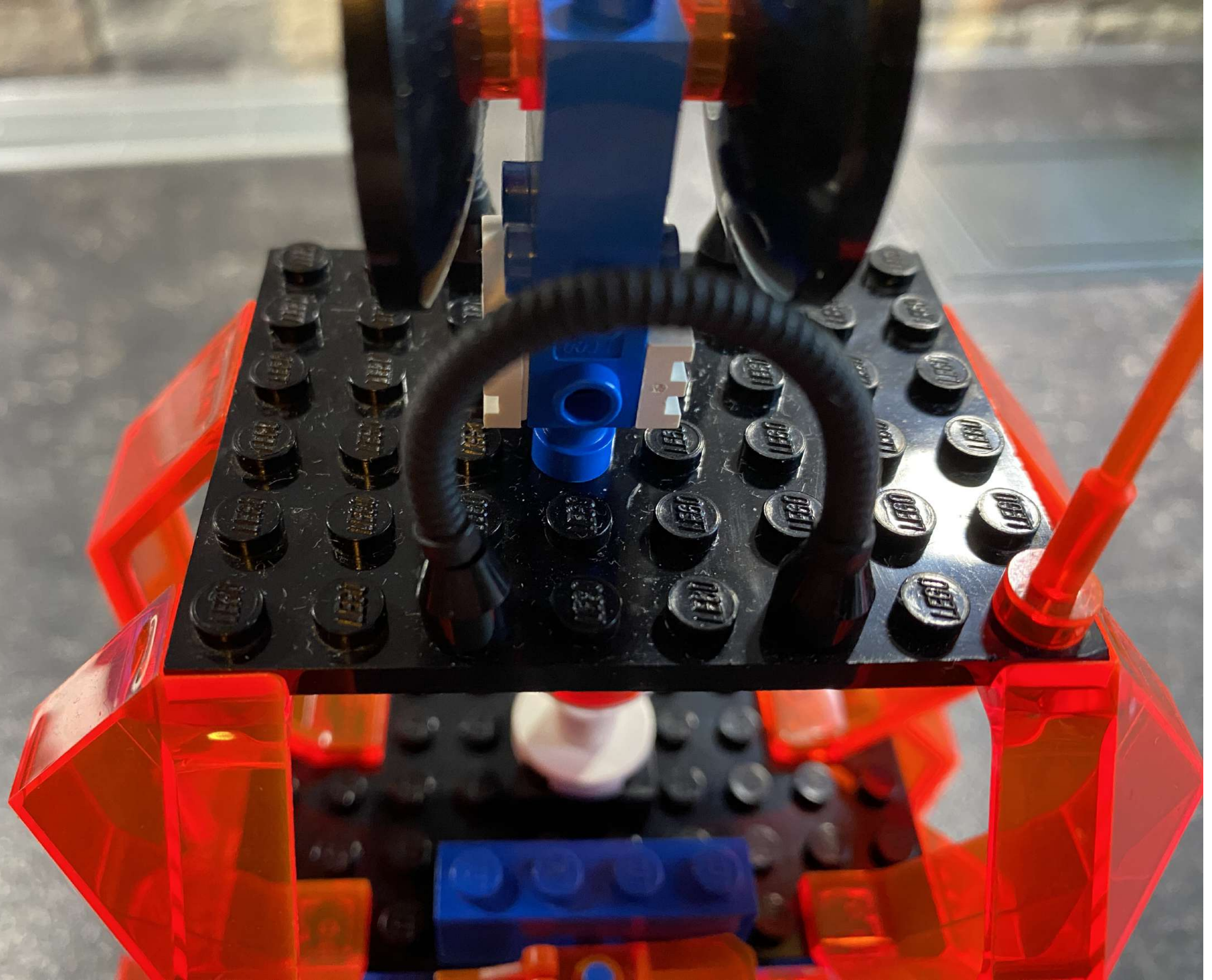




| | | | |
|--|--|--|----------------------------------|
| 1 1x2 1x 1x2 1x 1x2x0.667 2x | 2 1x1 1x 1x2 1x | 3 1x1 1x 1x2 1x | 4 4x4 2x |
| | | | |

21



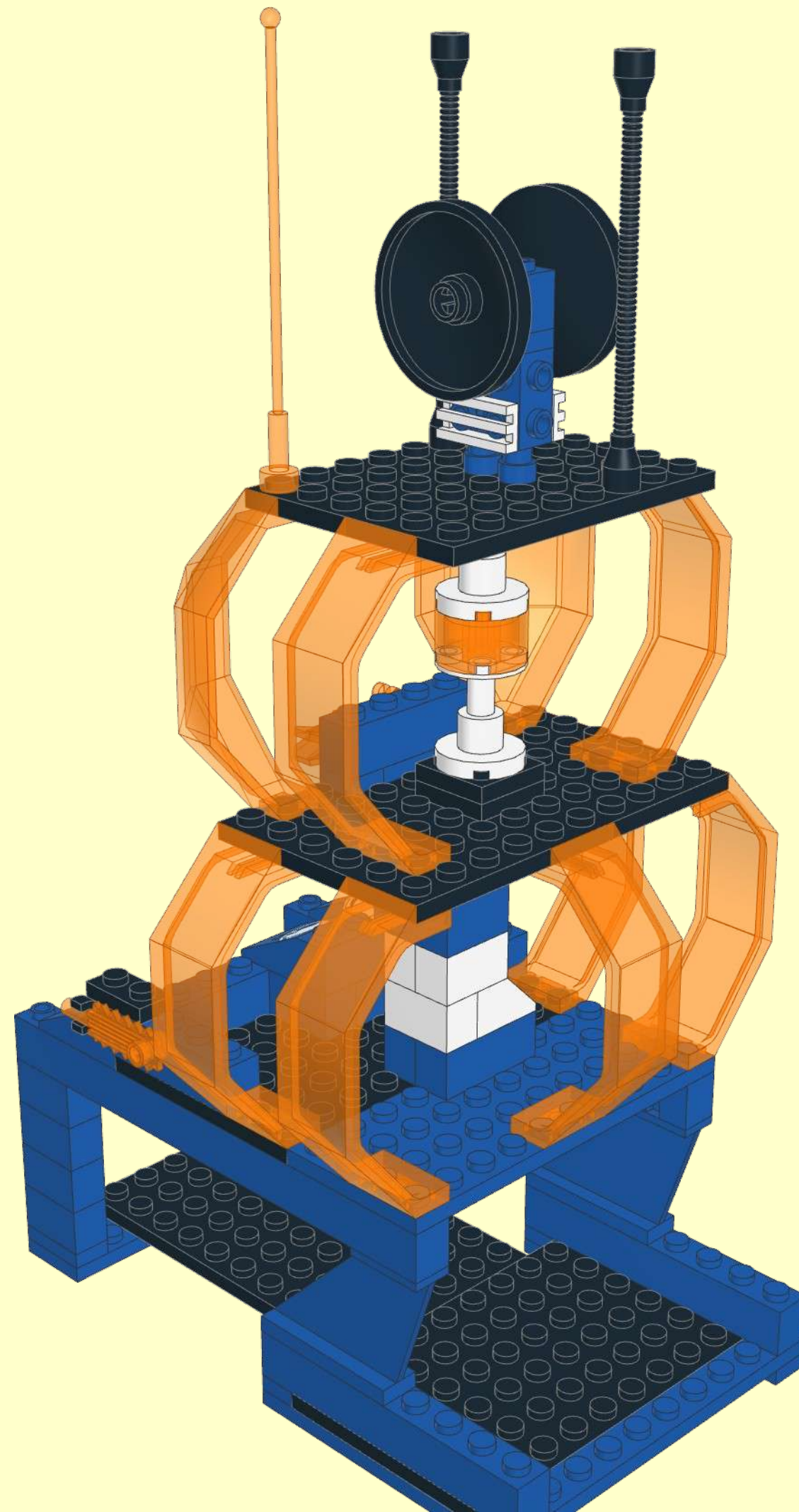


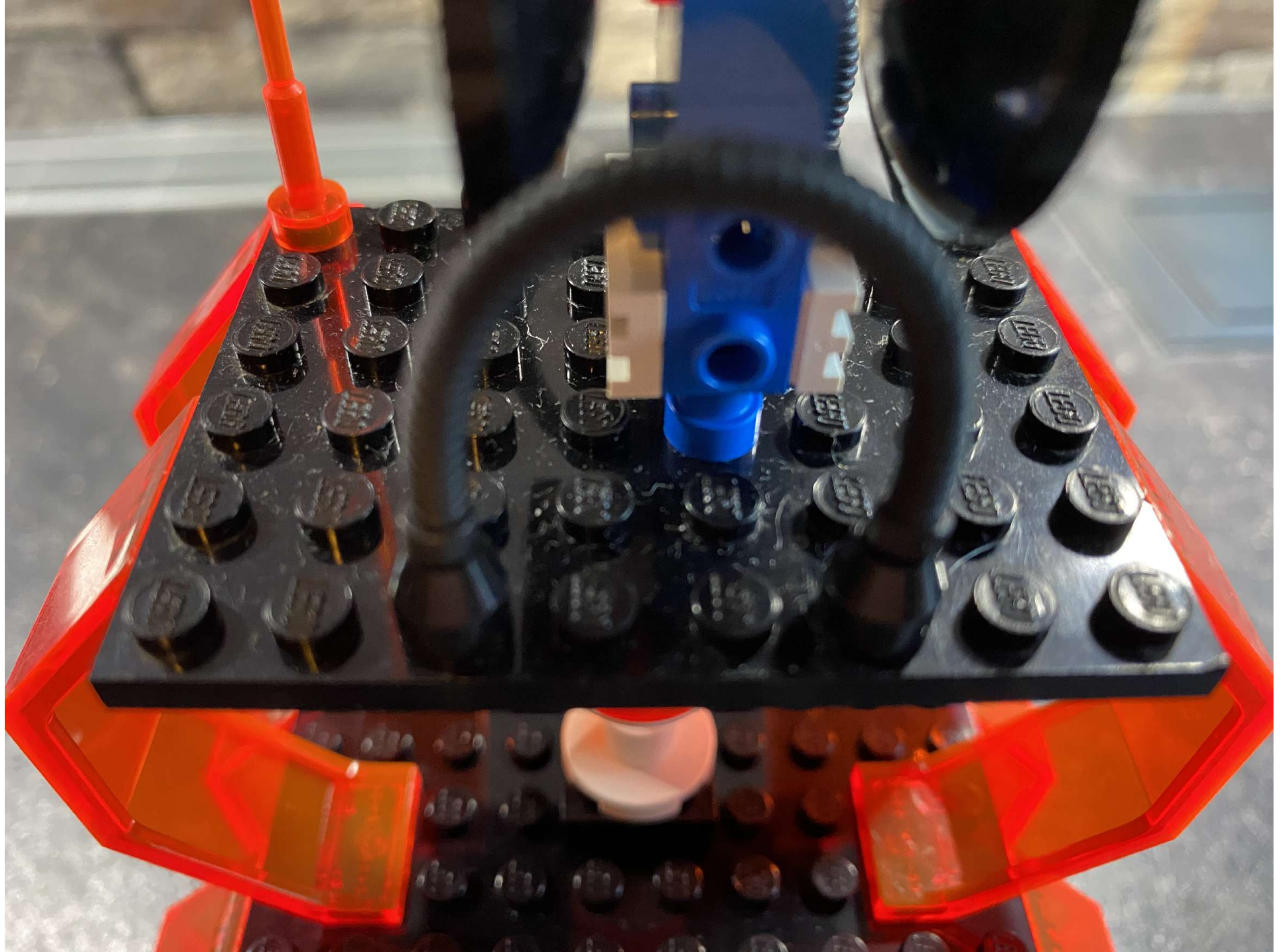
22

8.5L

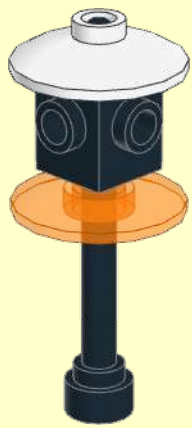
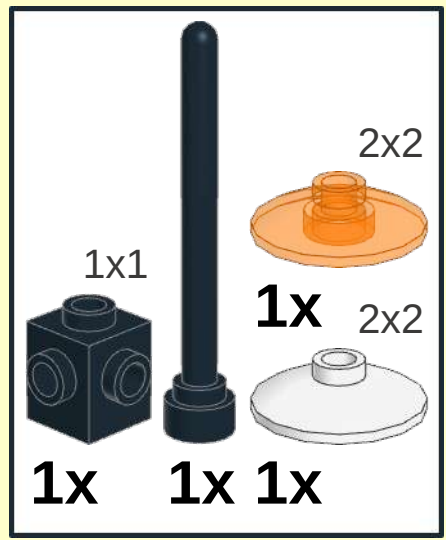


1x





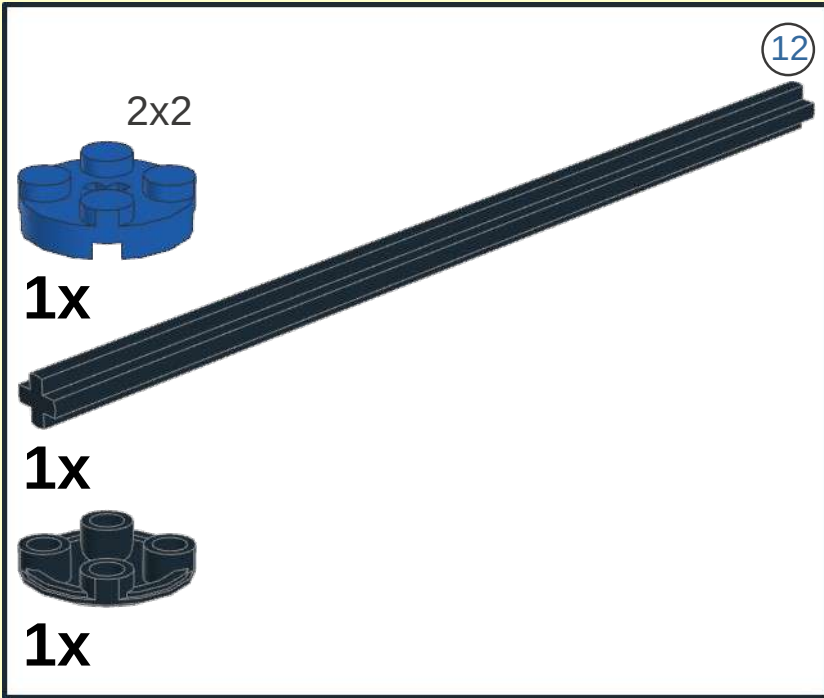
1



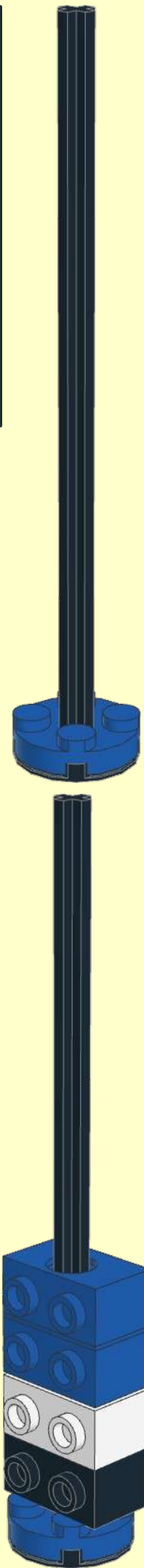
2



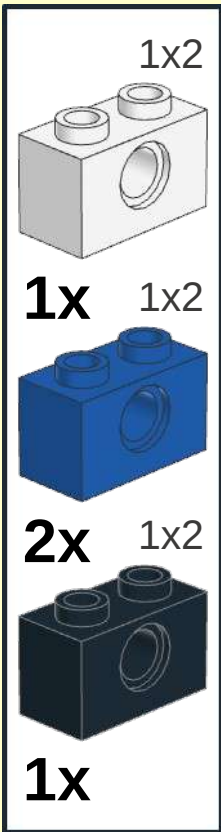
1



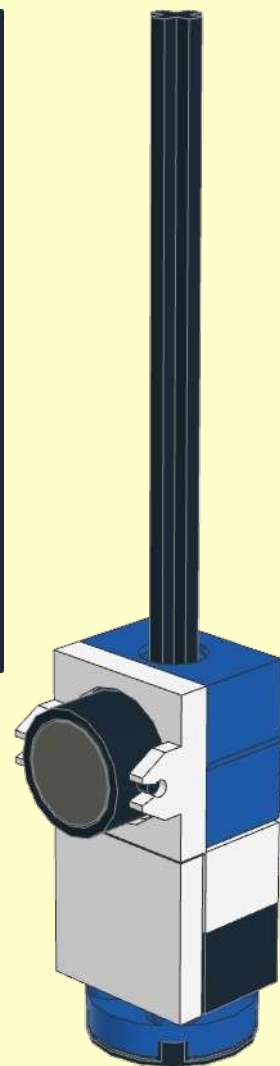
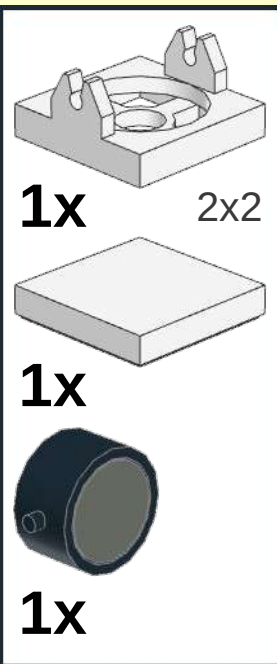
12



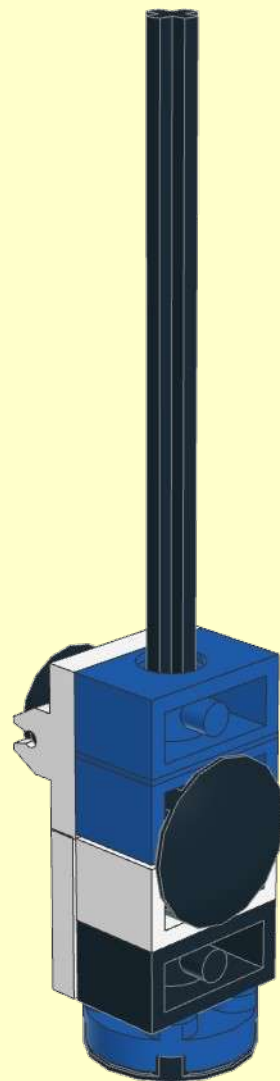
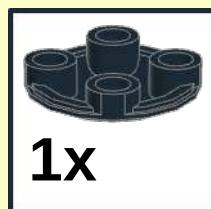
2



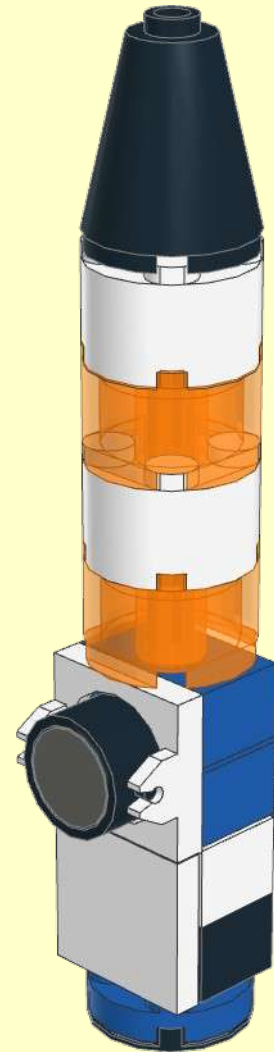
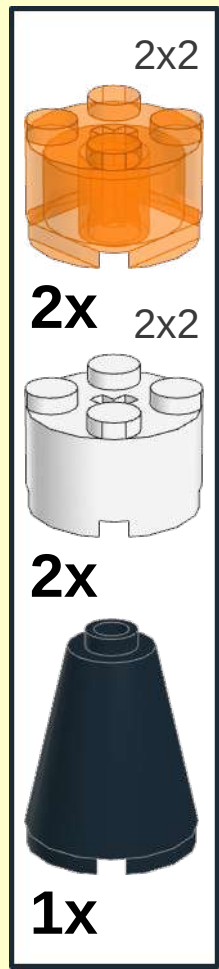
3



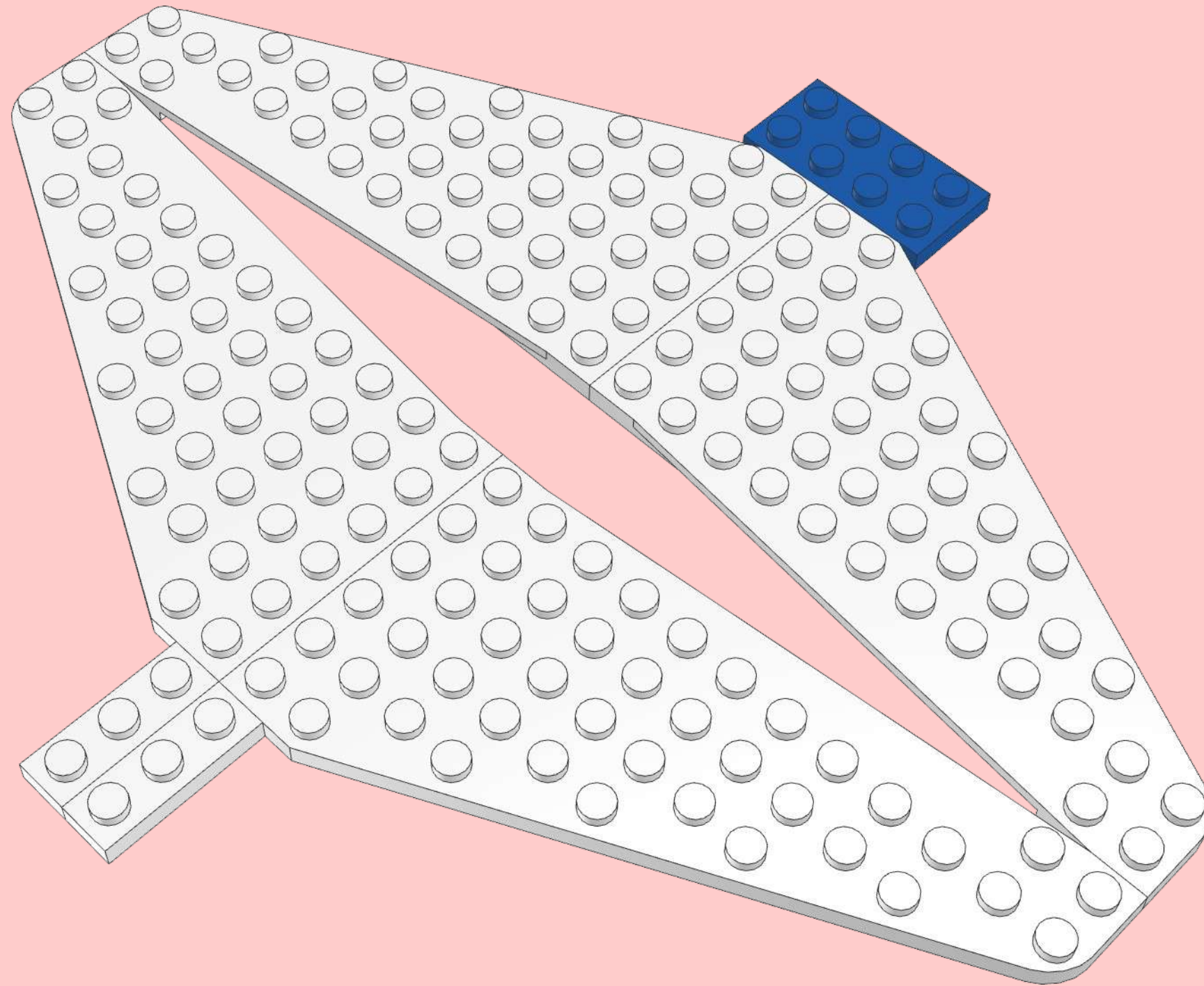
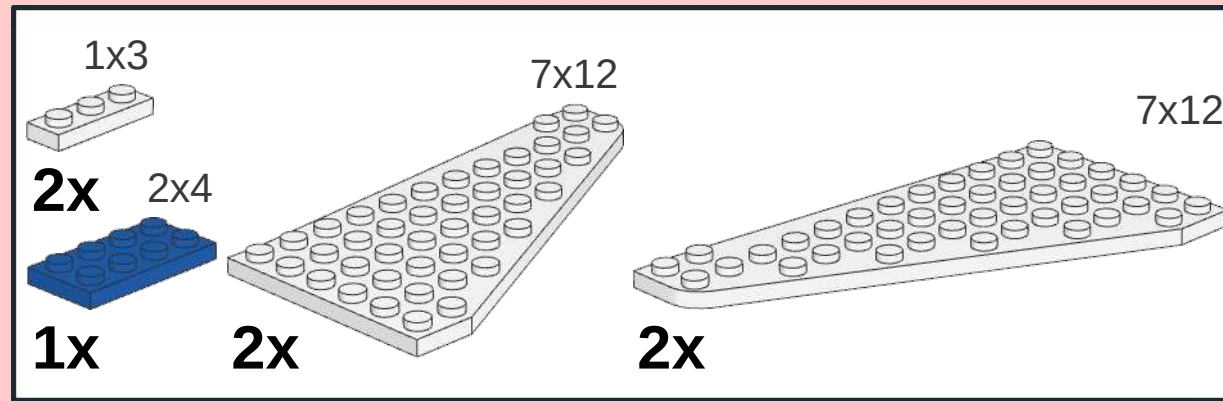
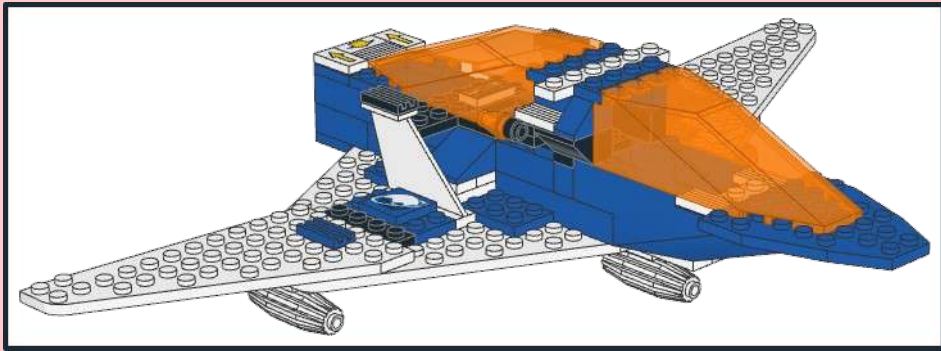
4



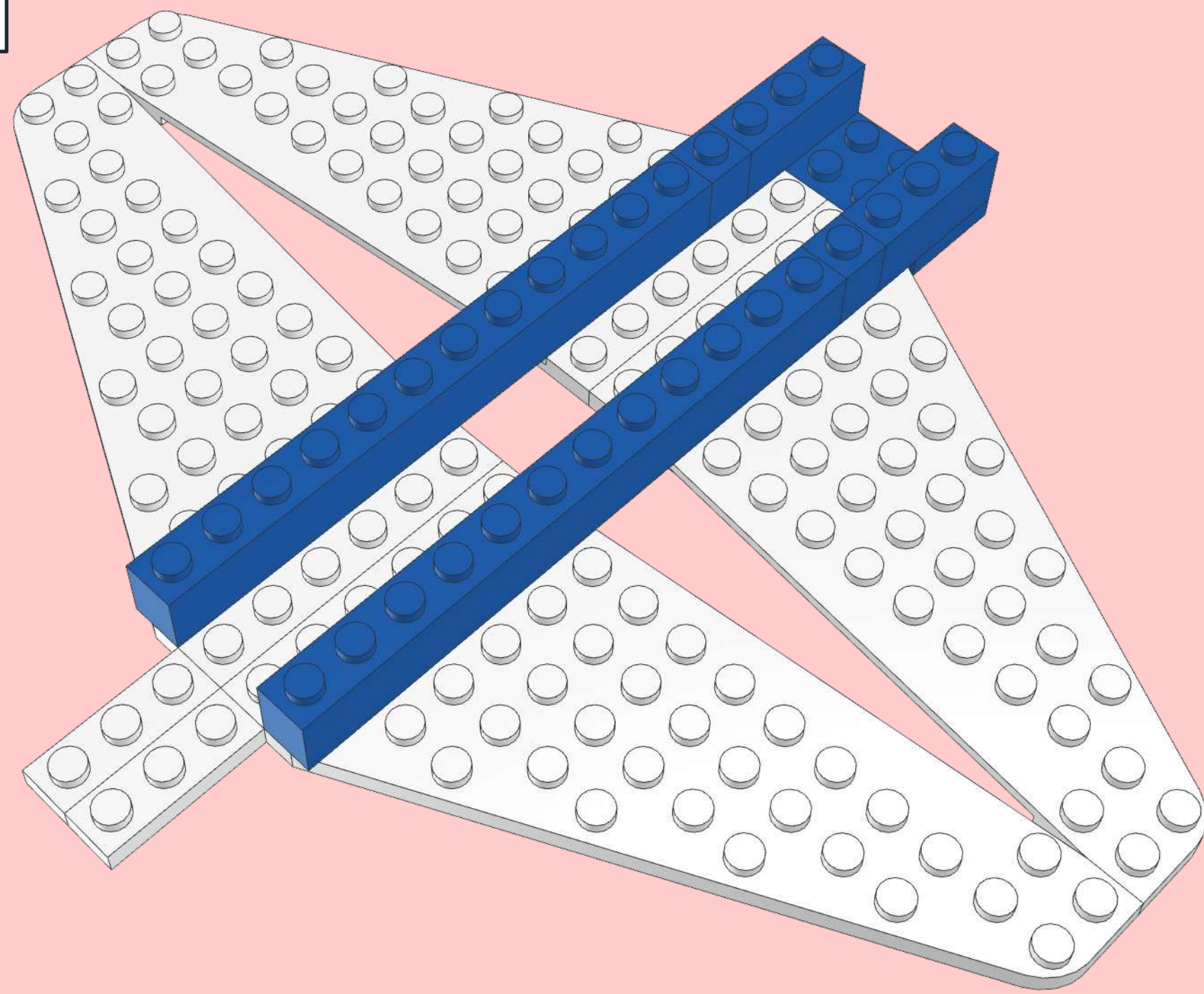
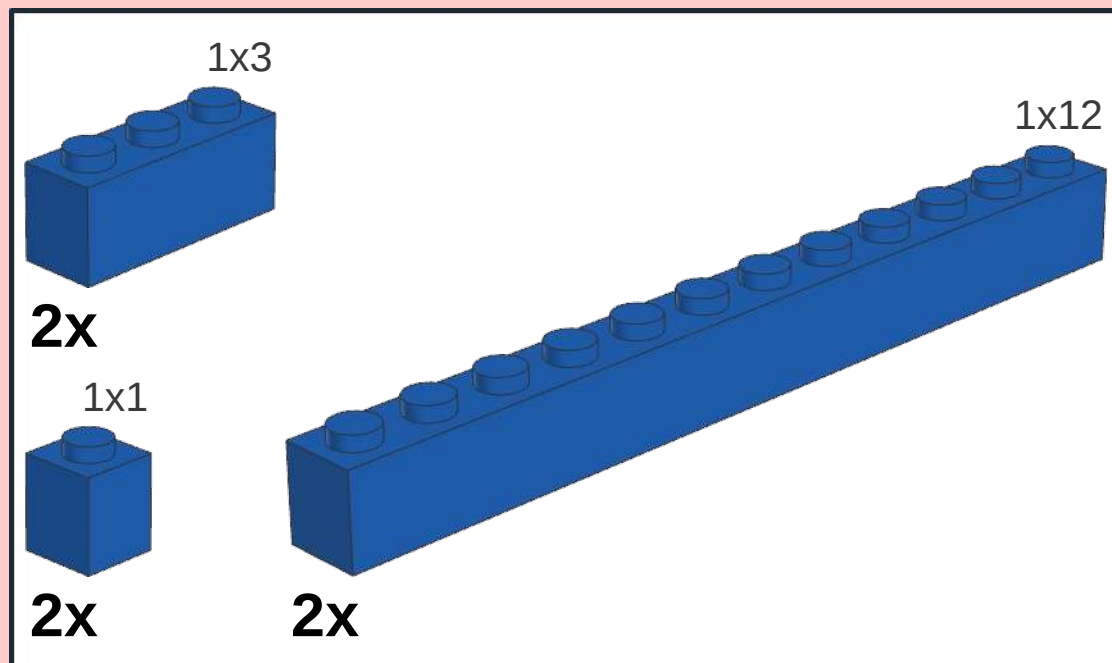
5



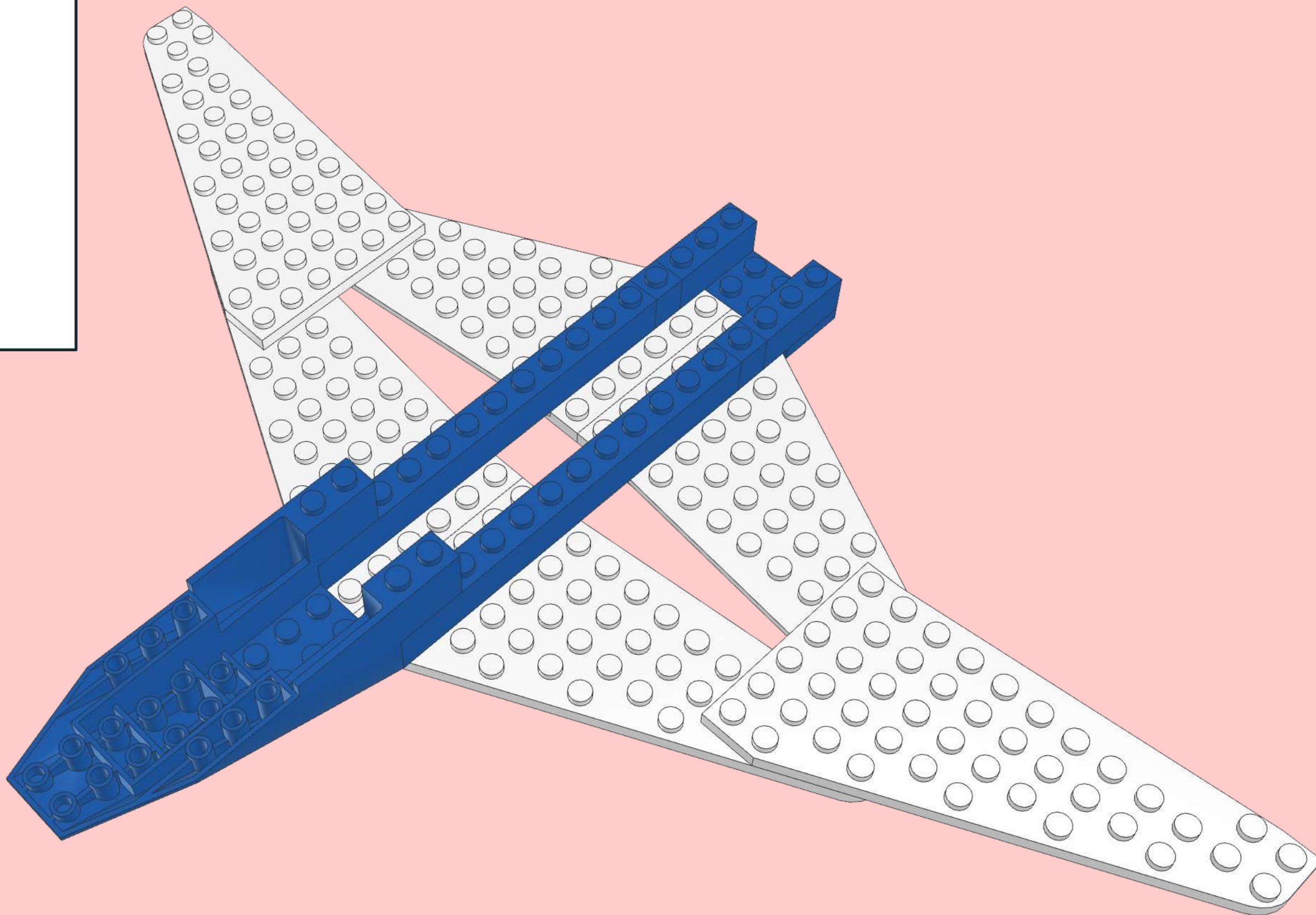
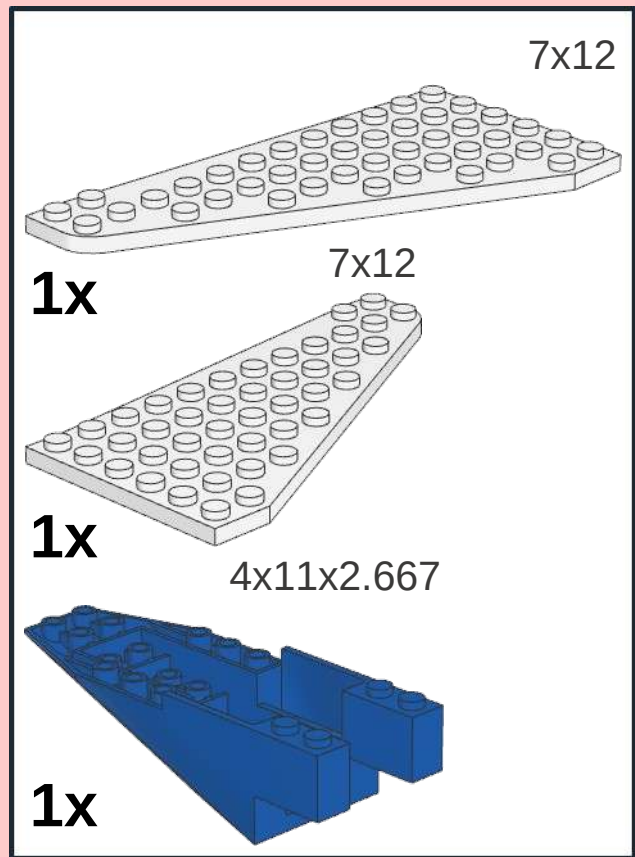
1



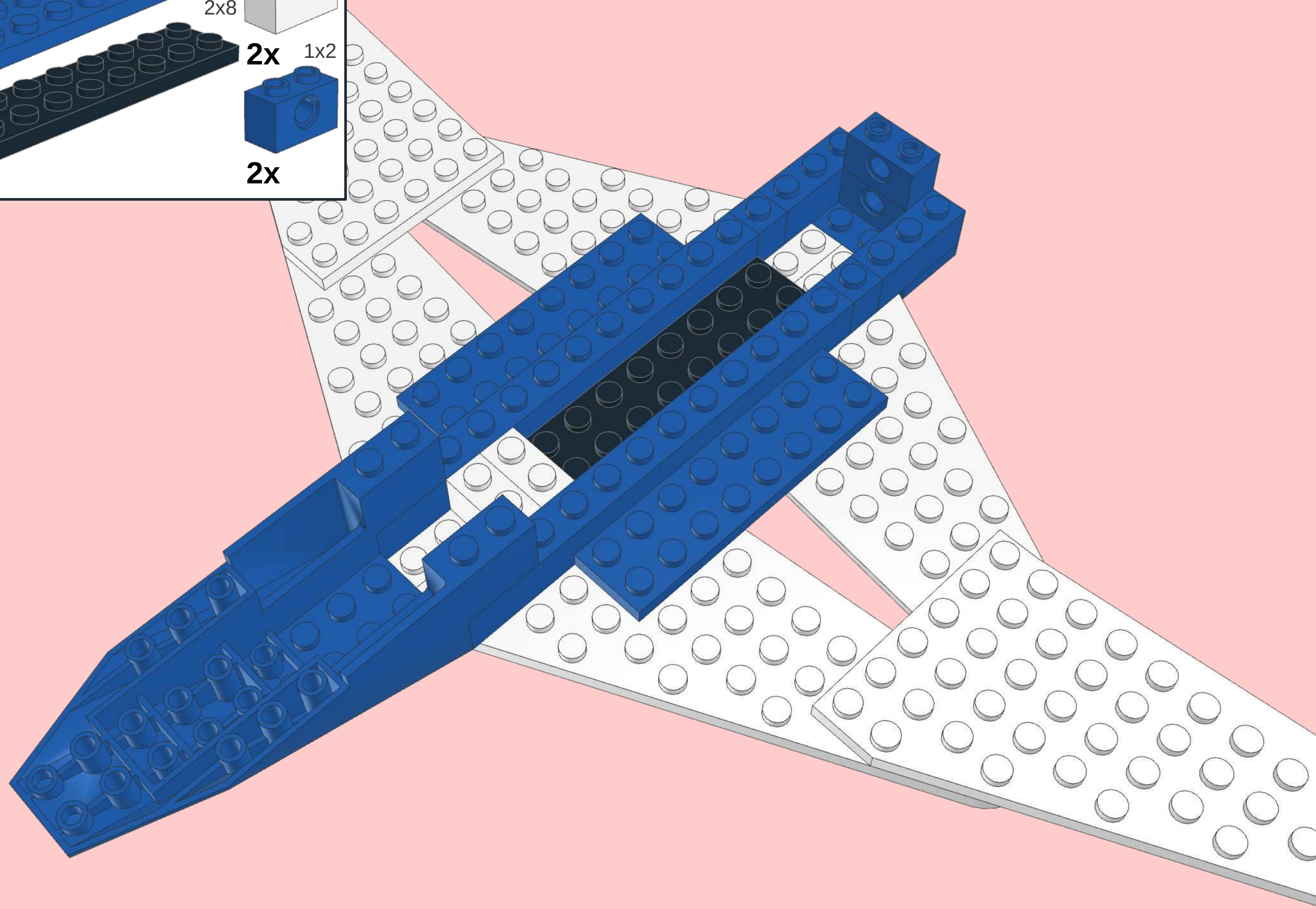
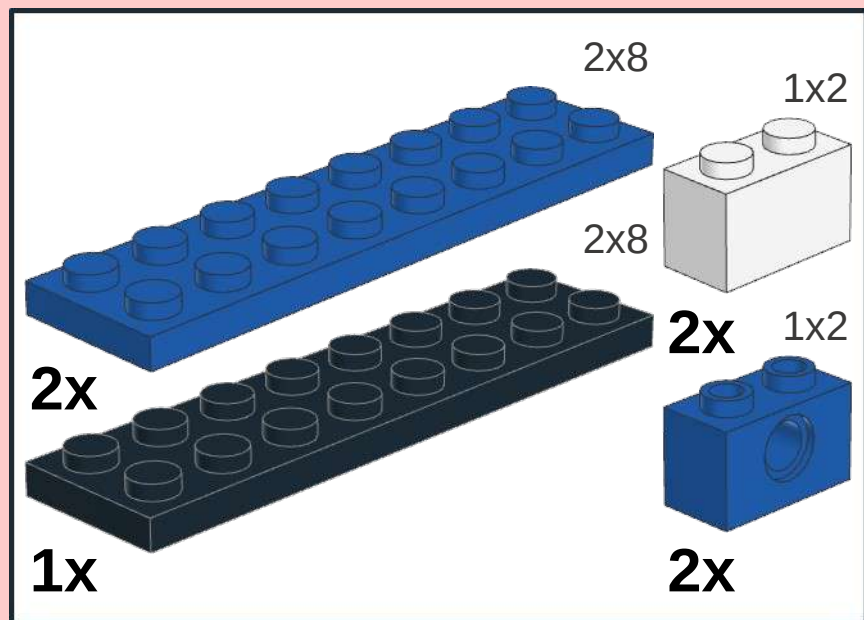
2



3

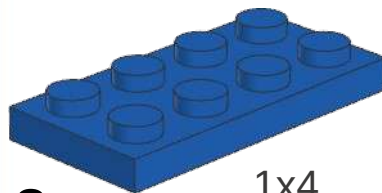


4



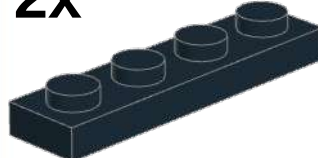
5

2x4



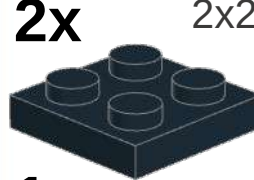
2x

1x4

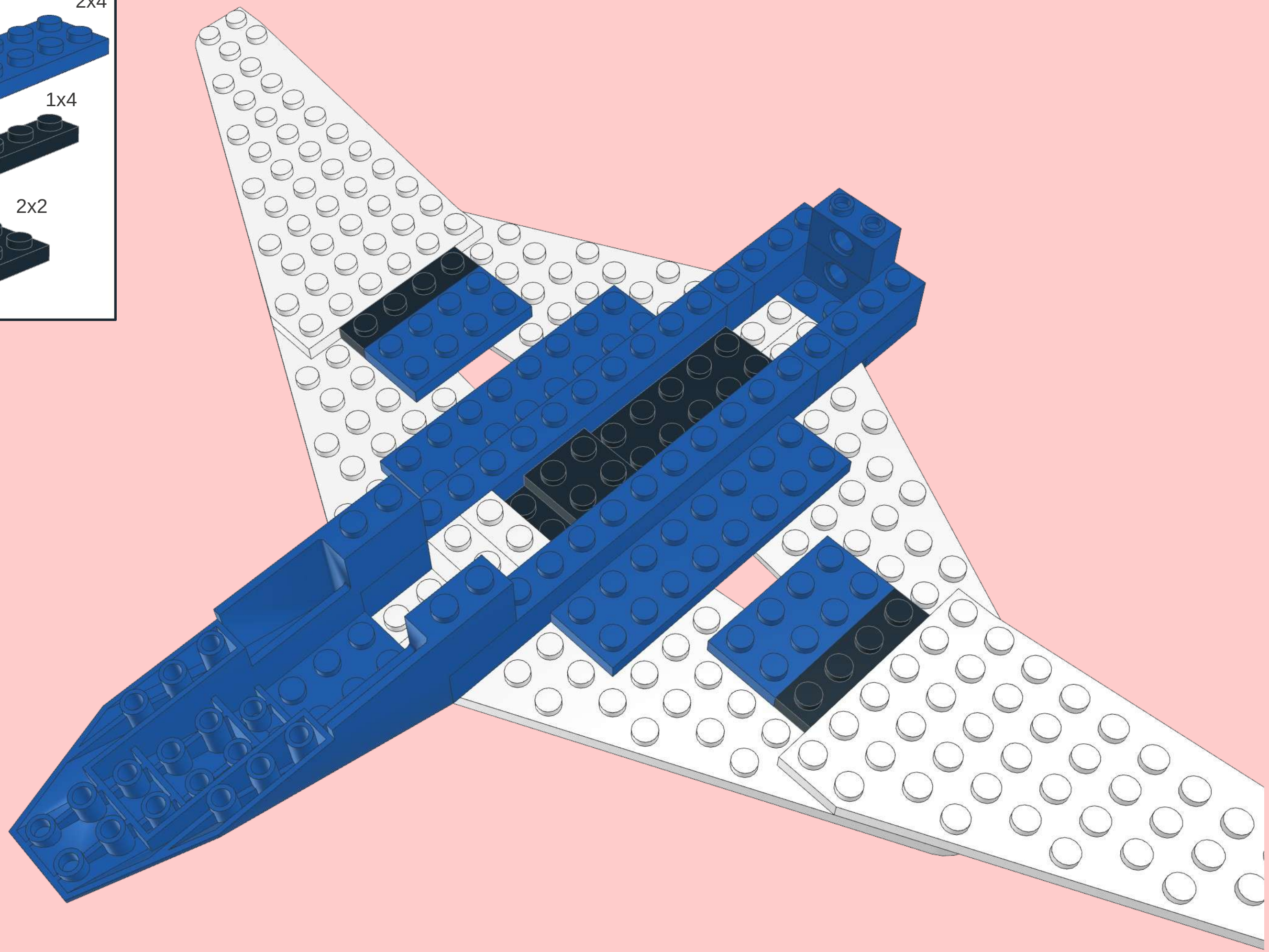


2x

2x2

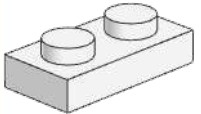


1x




6

1x2




4x

2x2

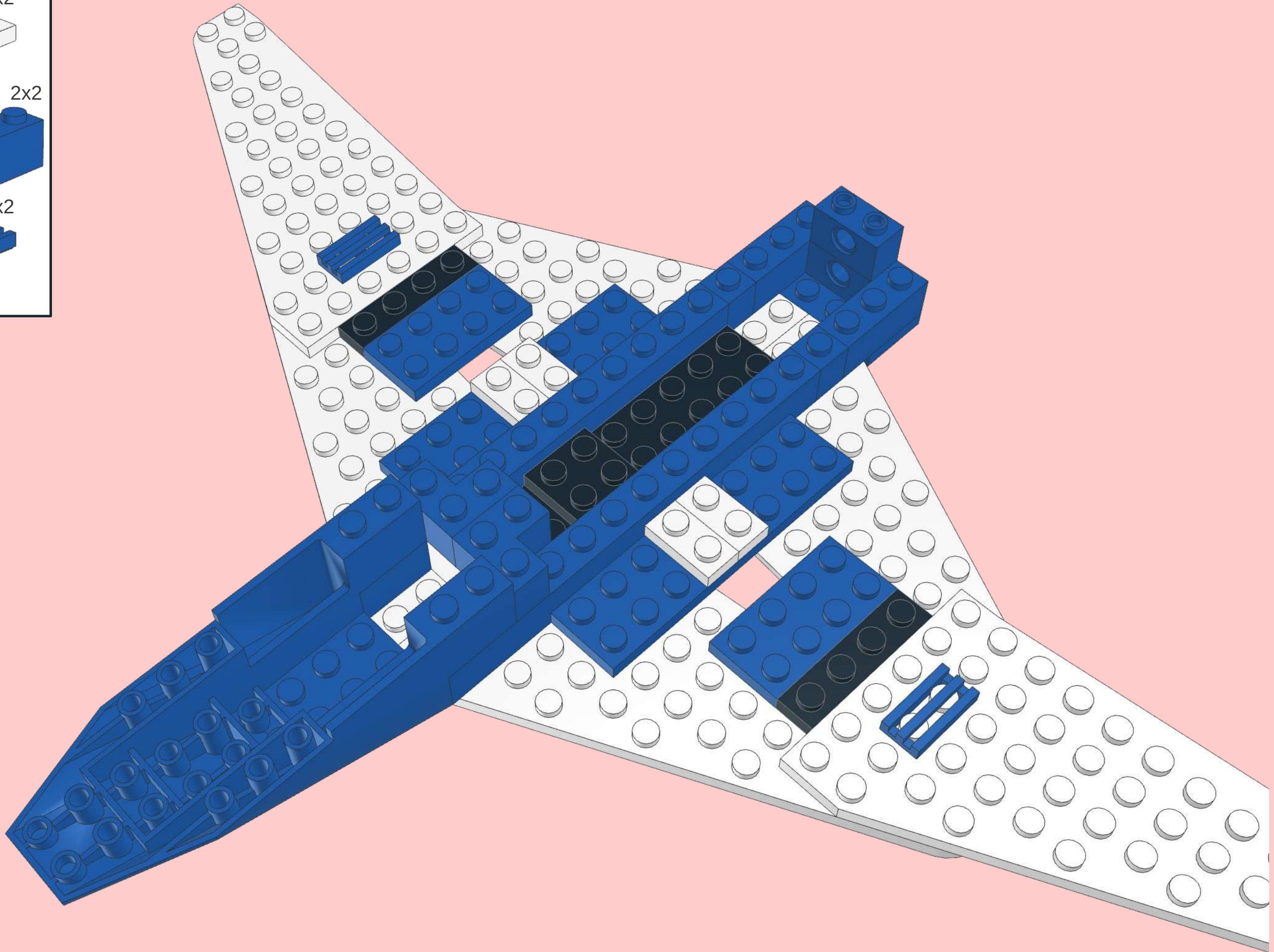



2x

1x2

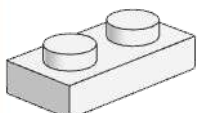


2x

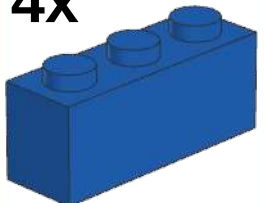


7

1x2




4x



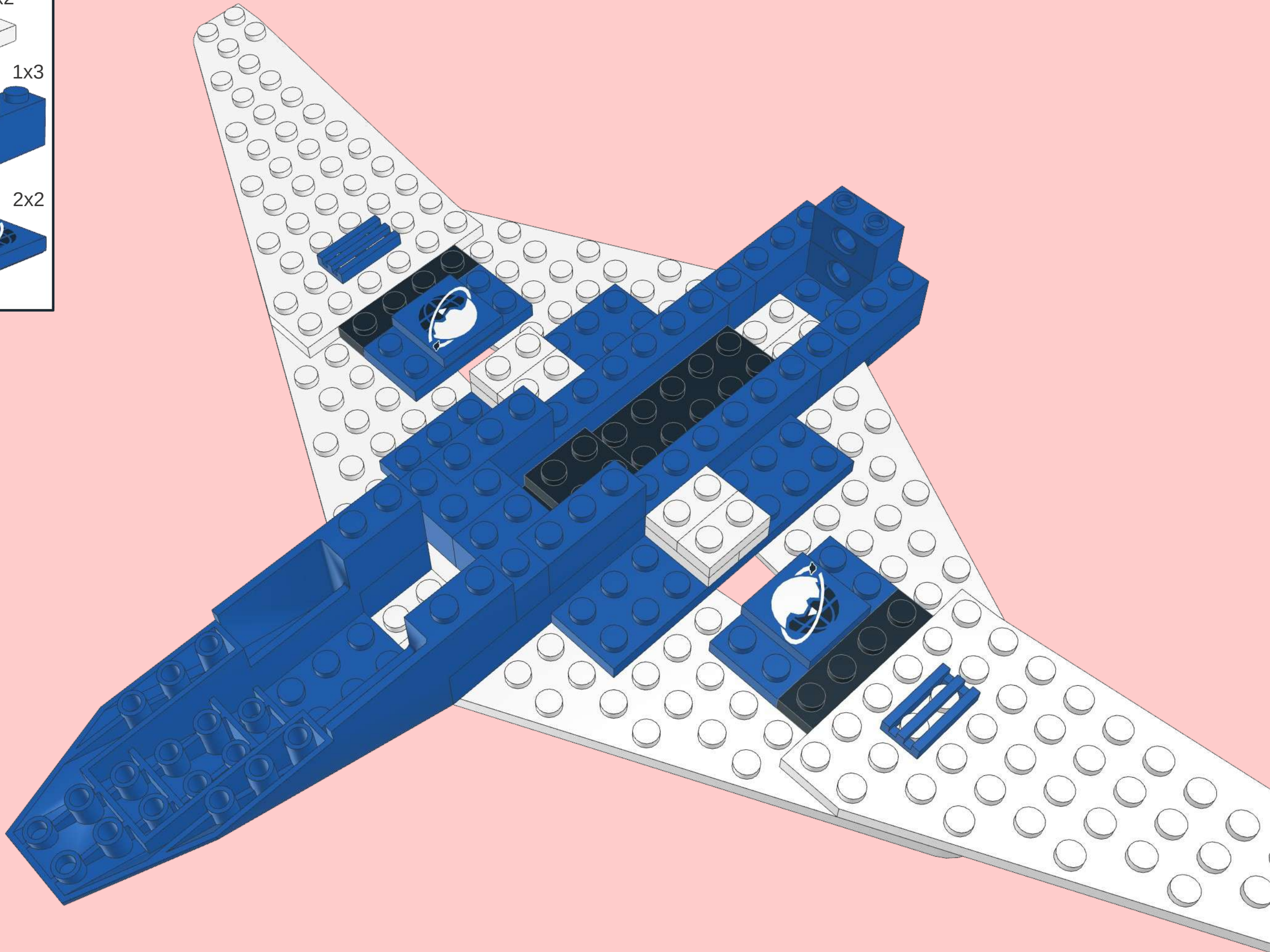
1x3

2x



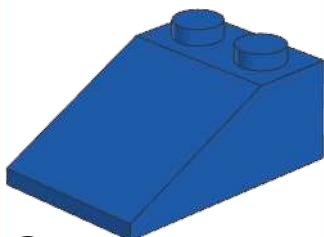
2x2

2x




8

333x2

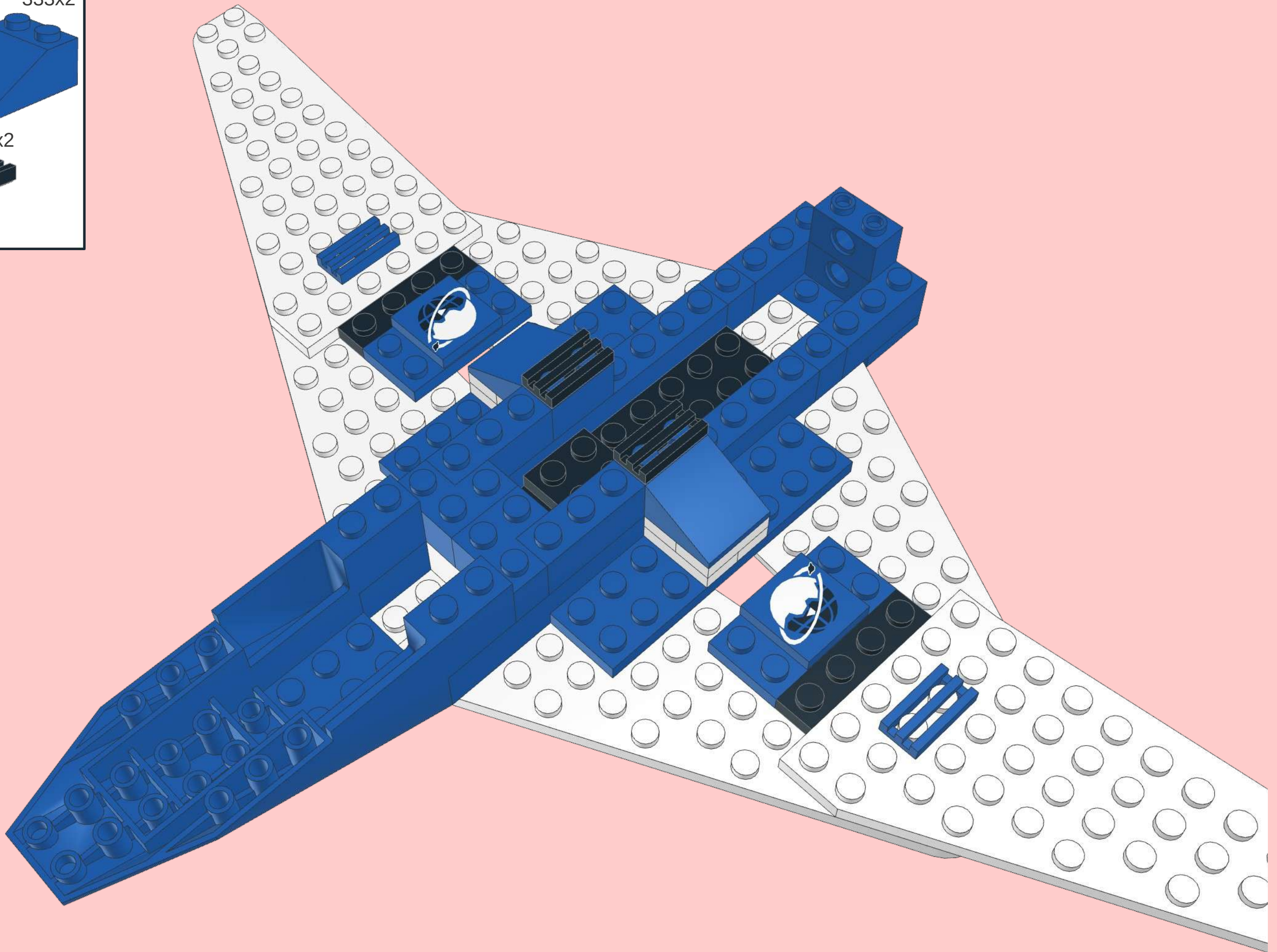


2x

1x2



2x



9

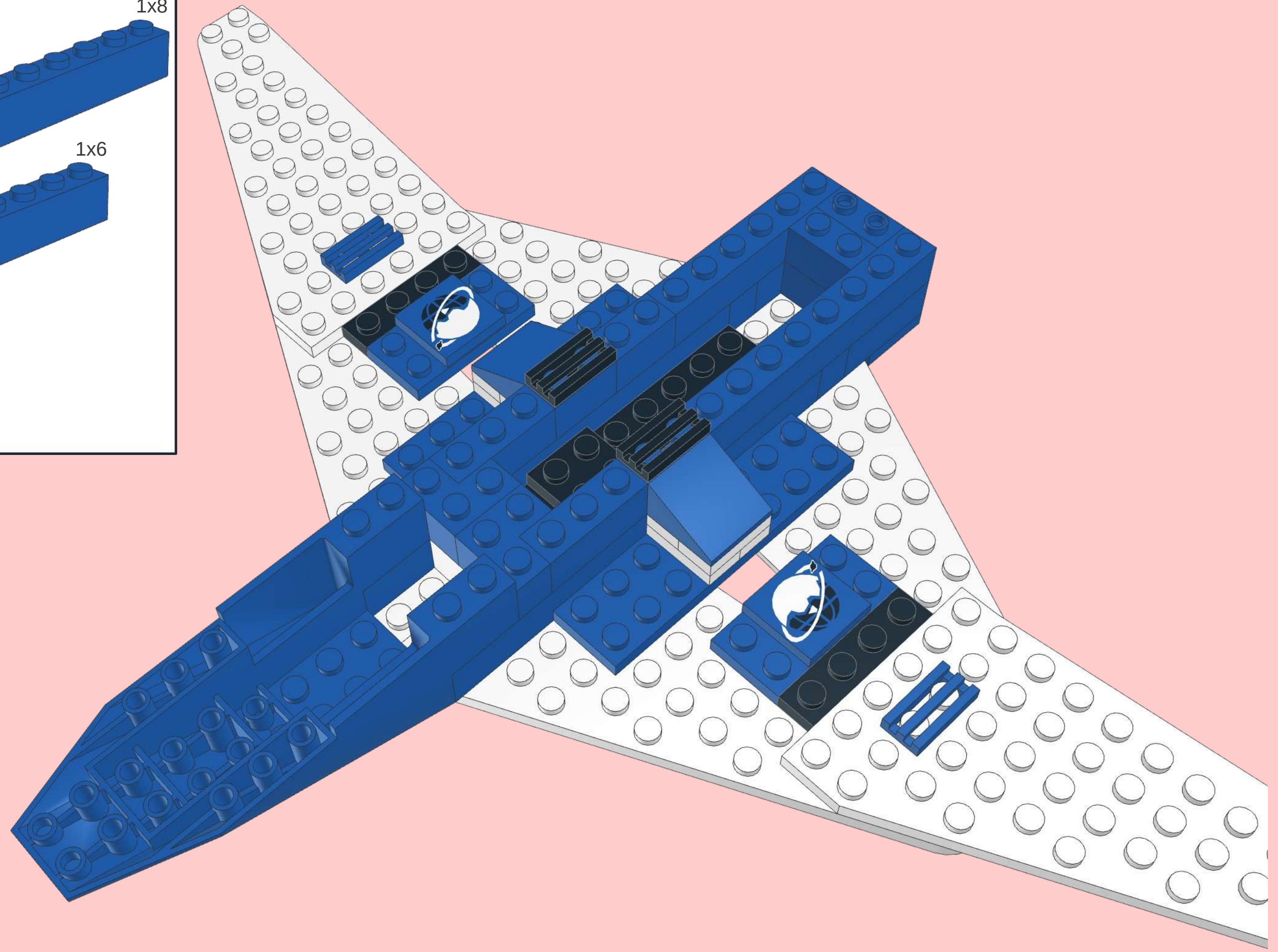
1x8

1x

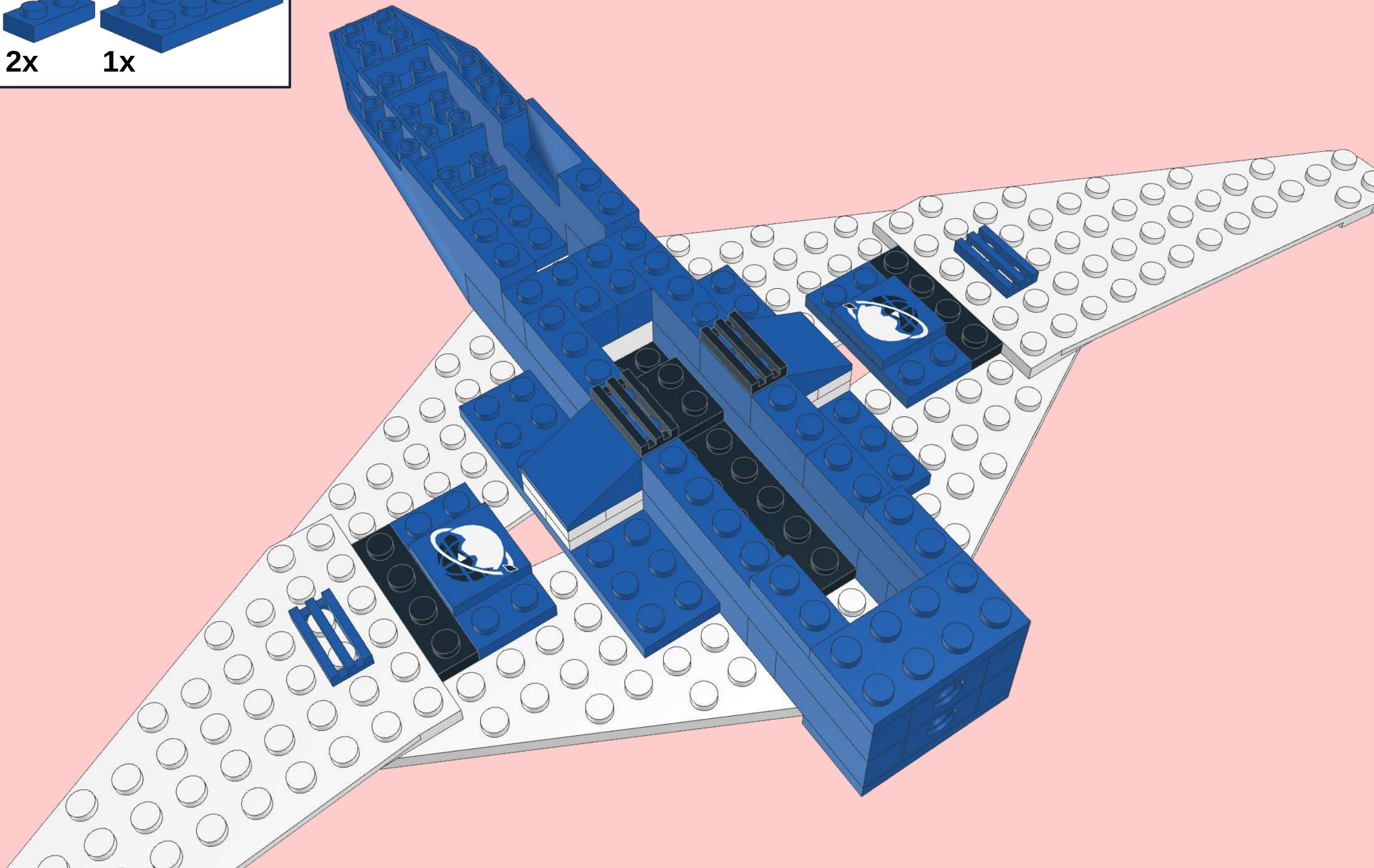
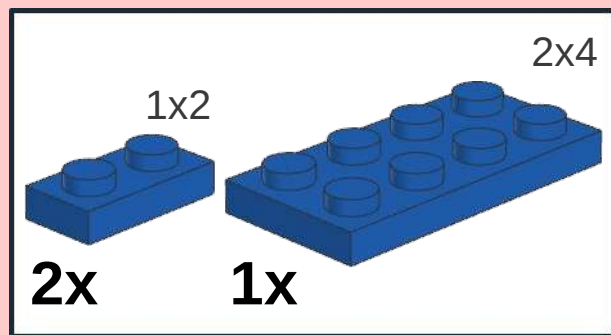
1x6

1x 1x2


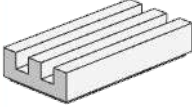
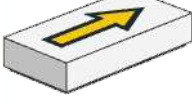
3x

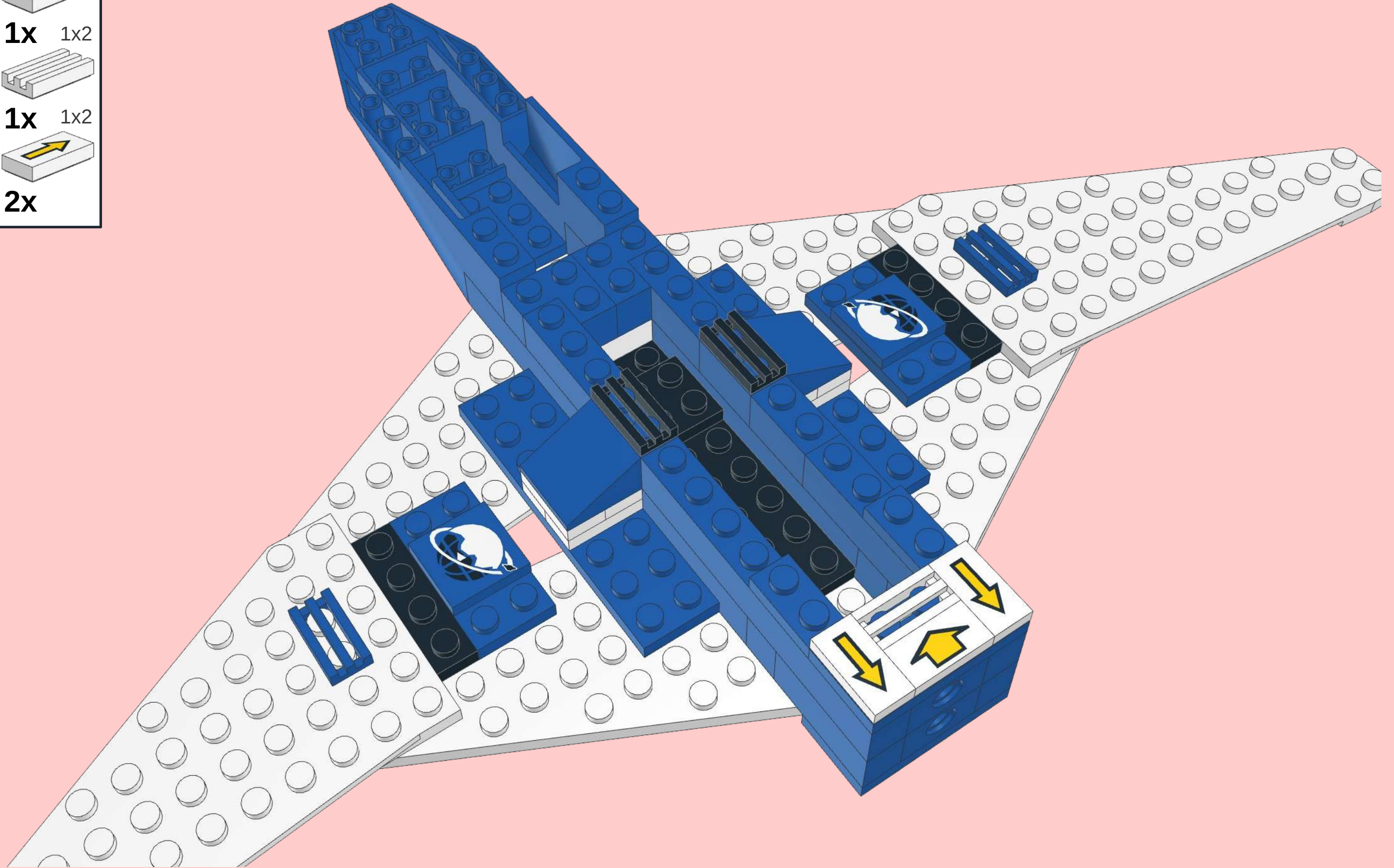


10

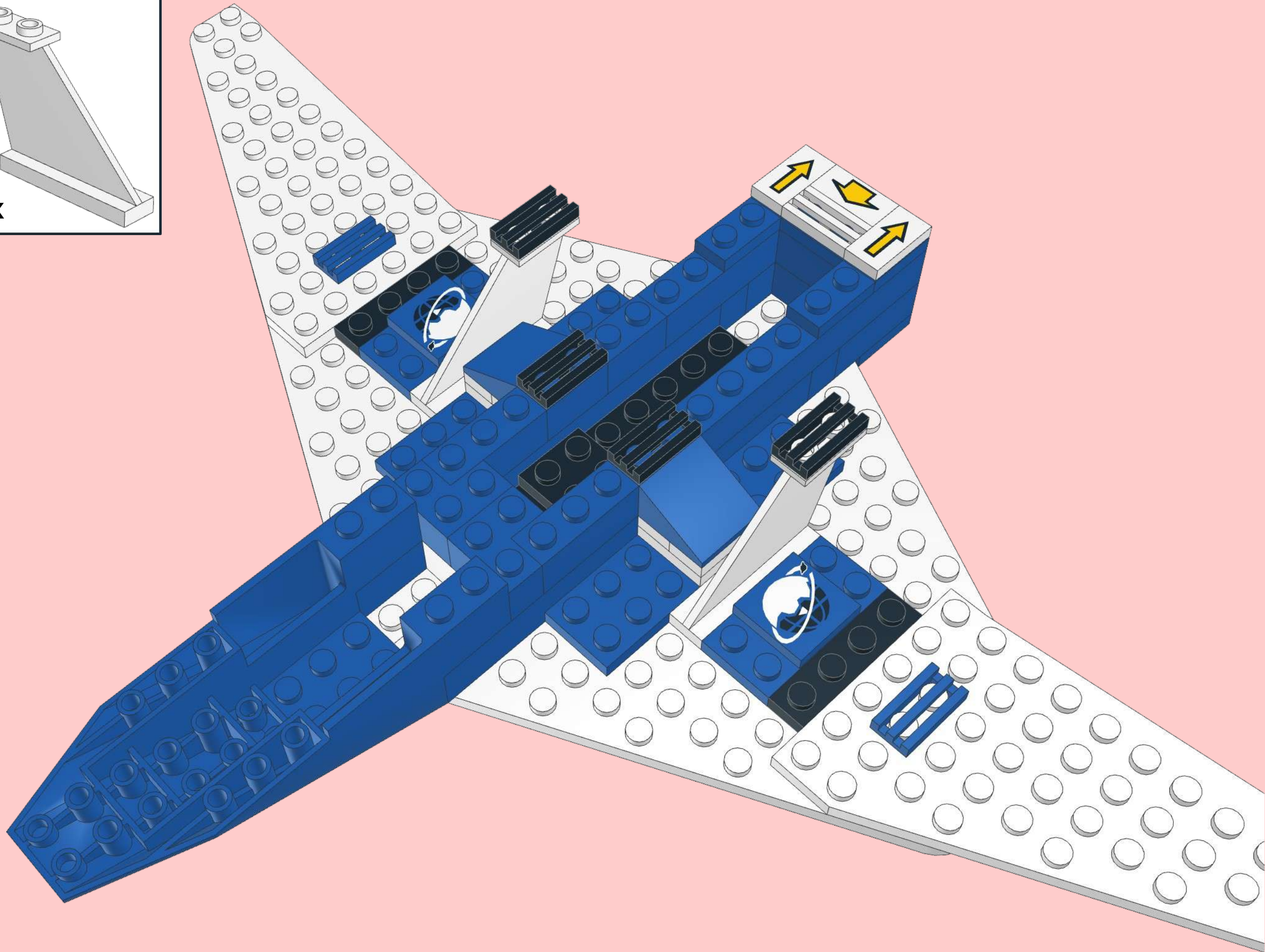
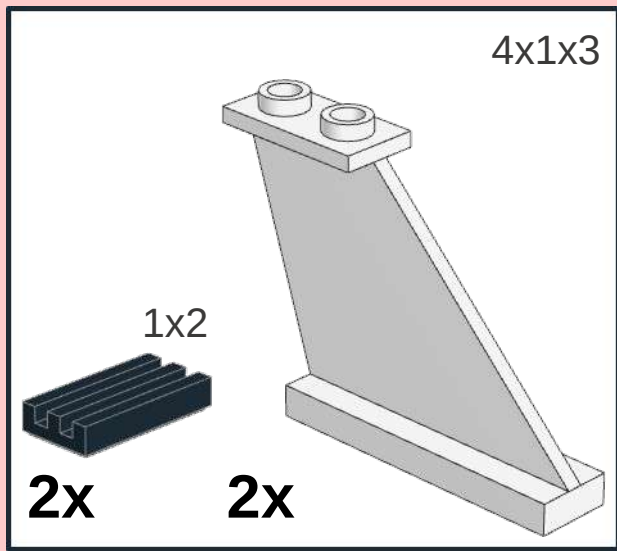


11

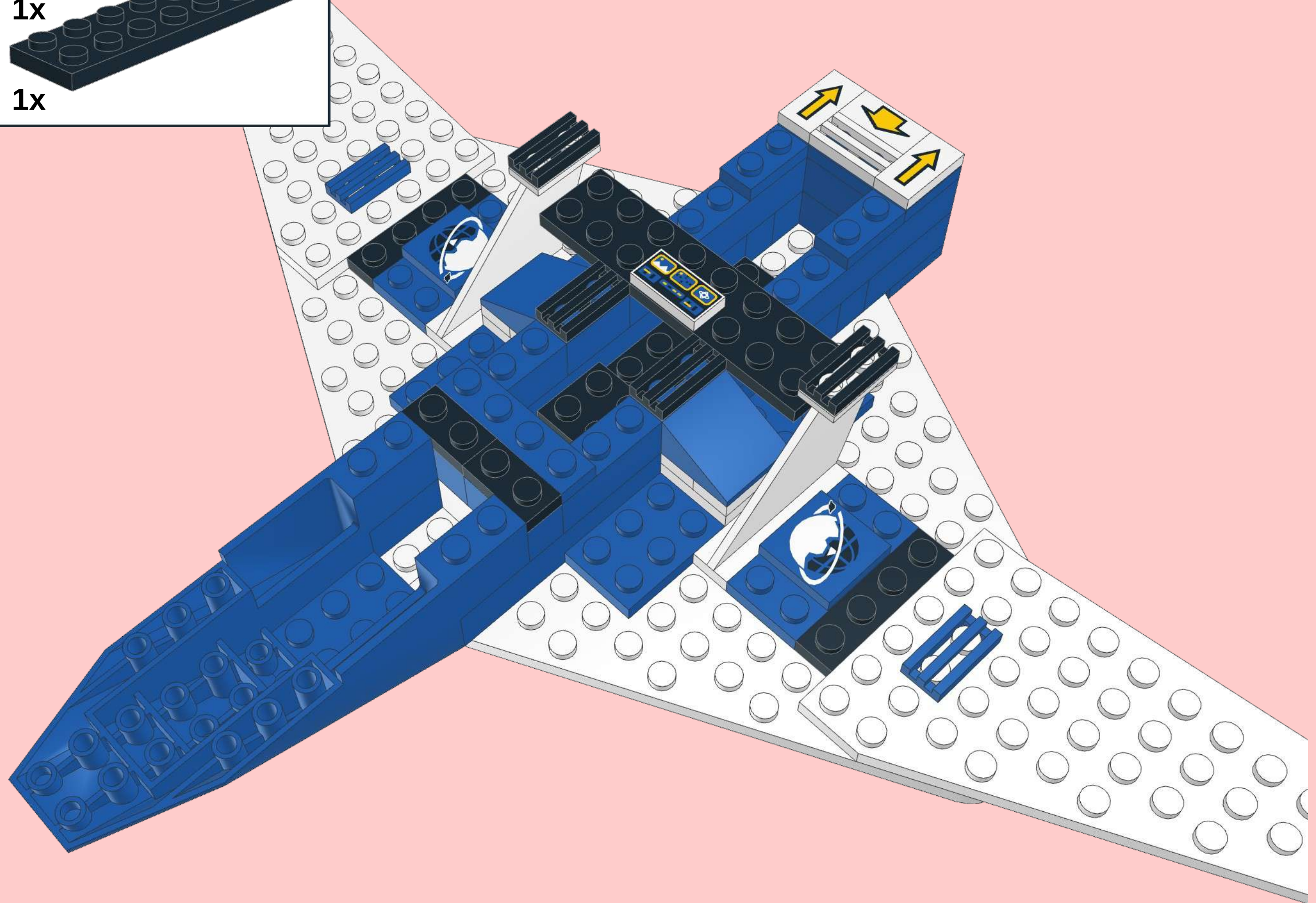
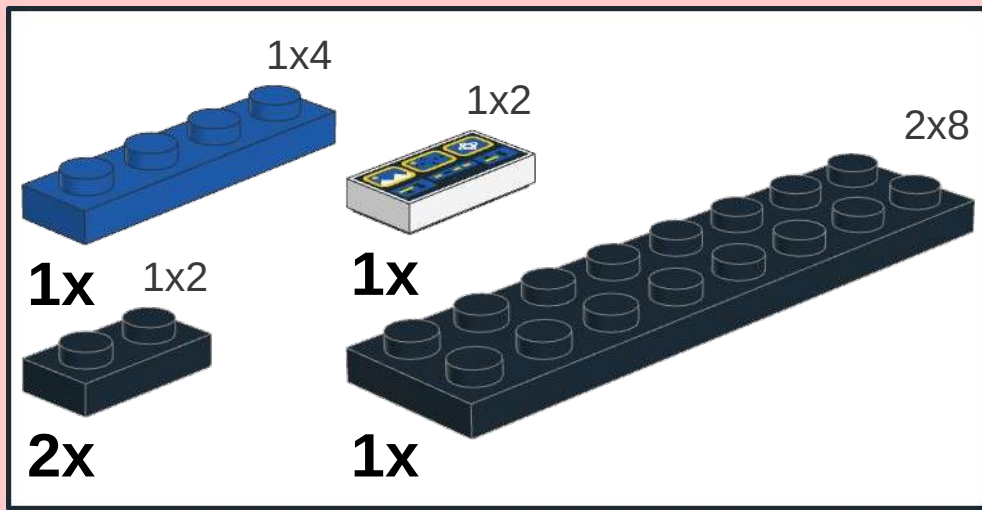
- 1x2

- 1x 1x2

- 1x 1x2

- 2x



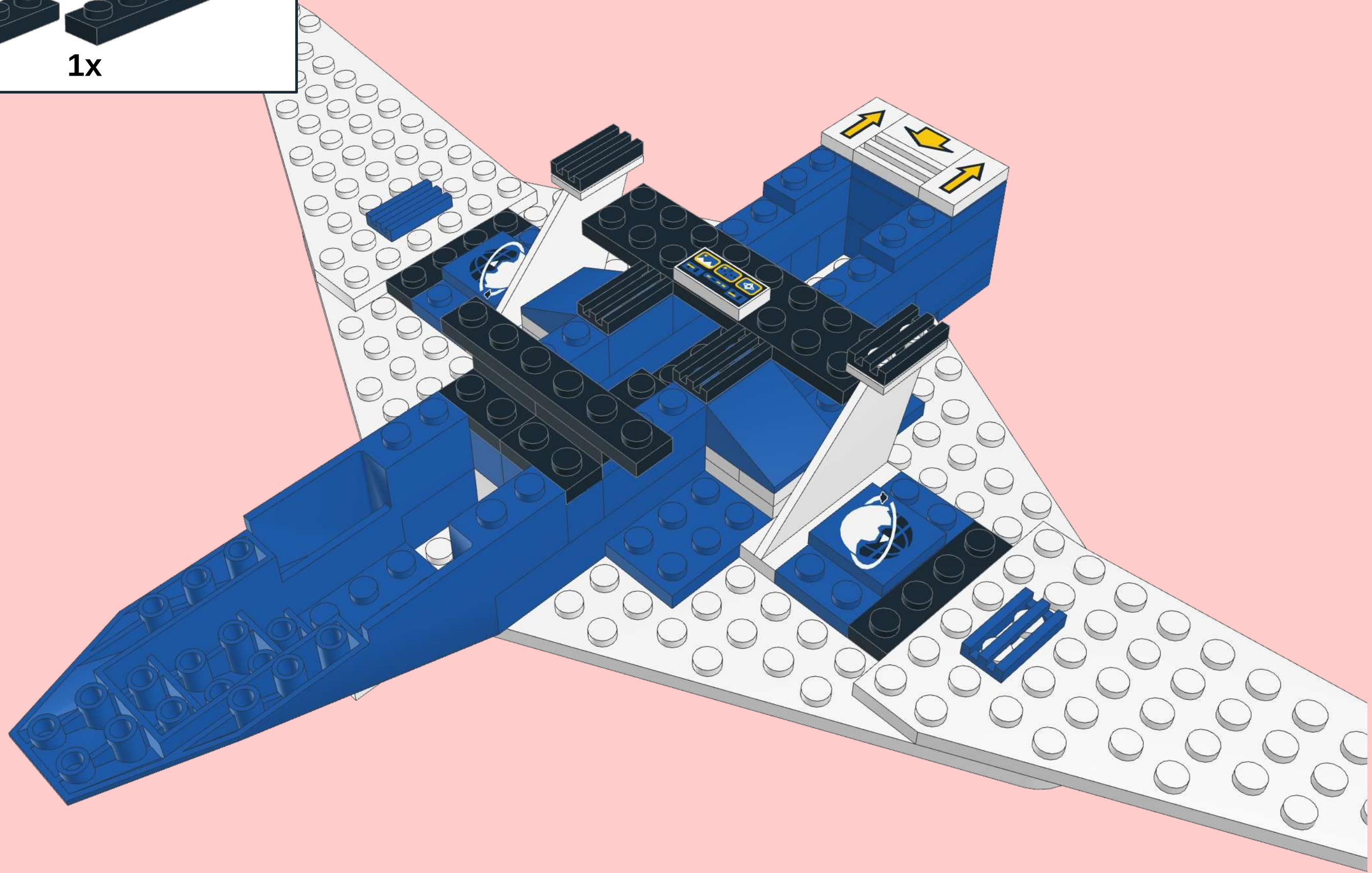
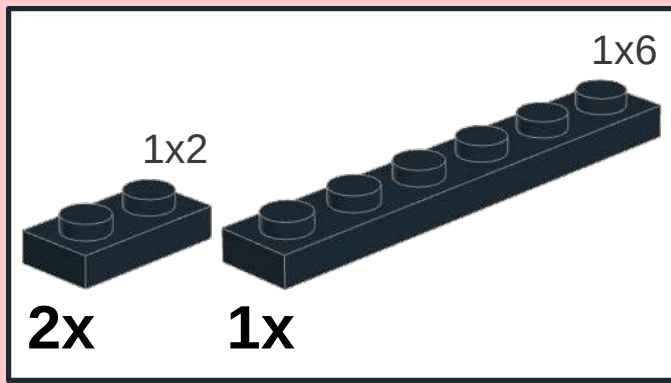
12



13

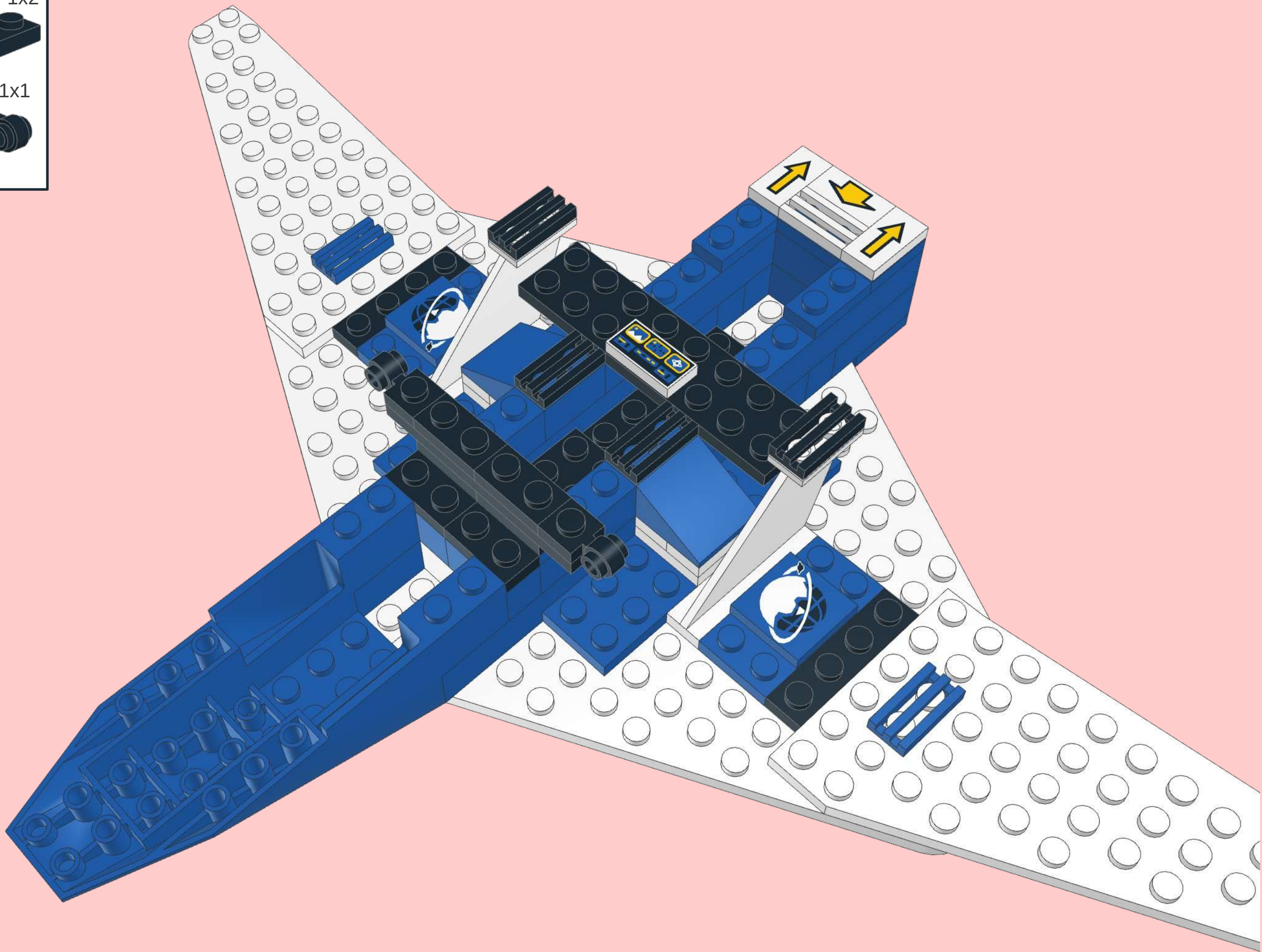


14

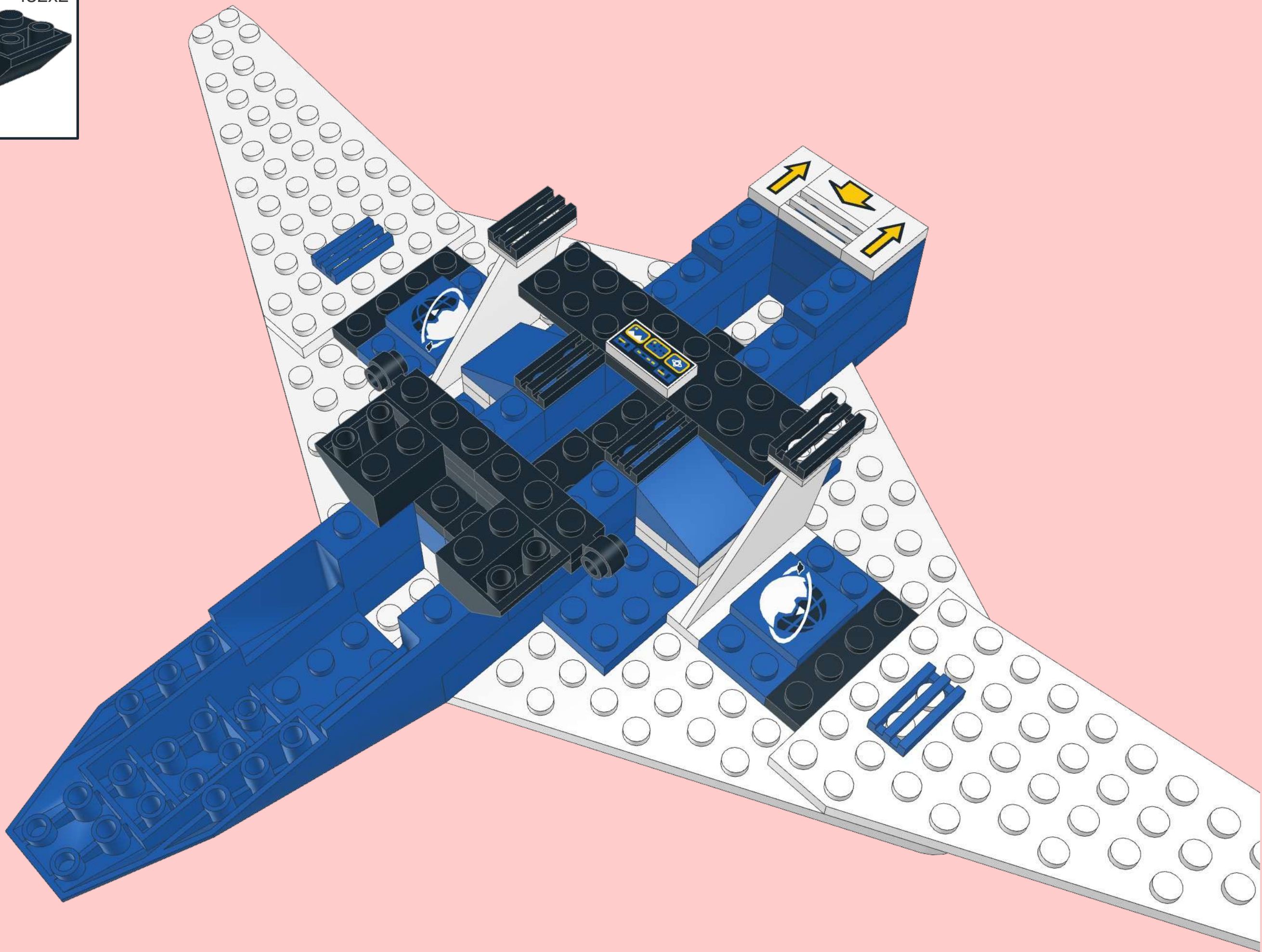
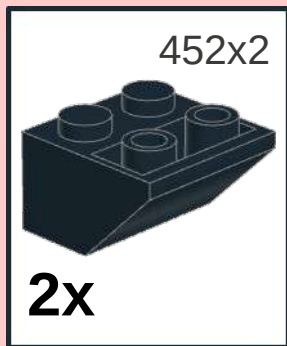


15

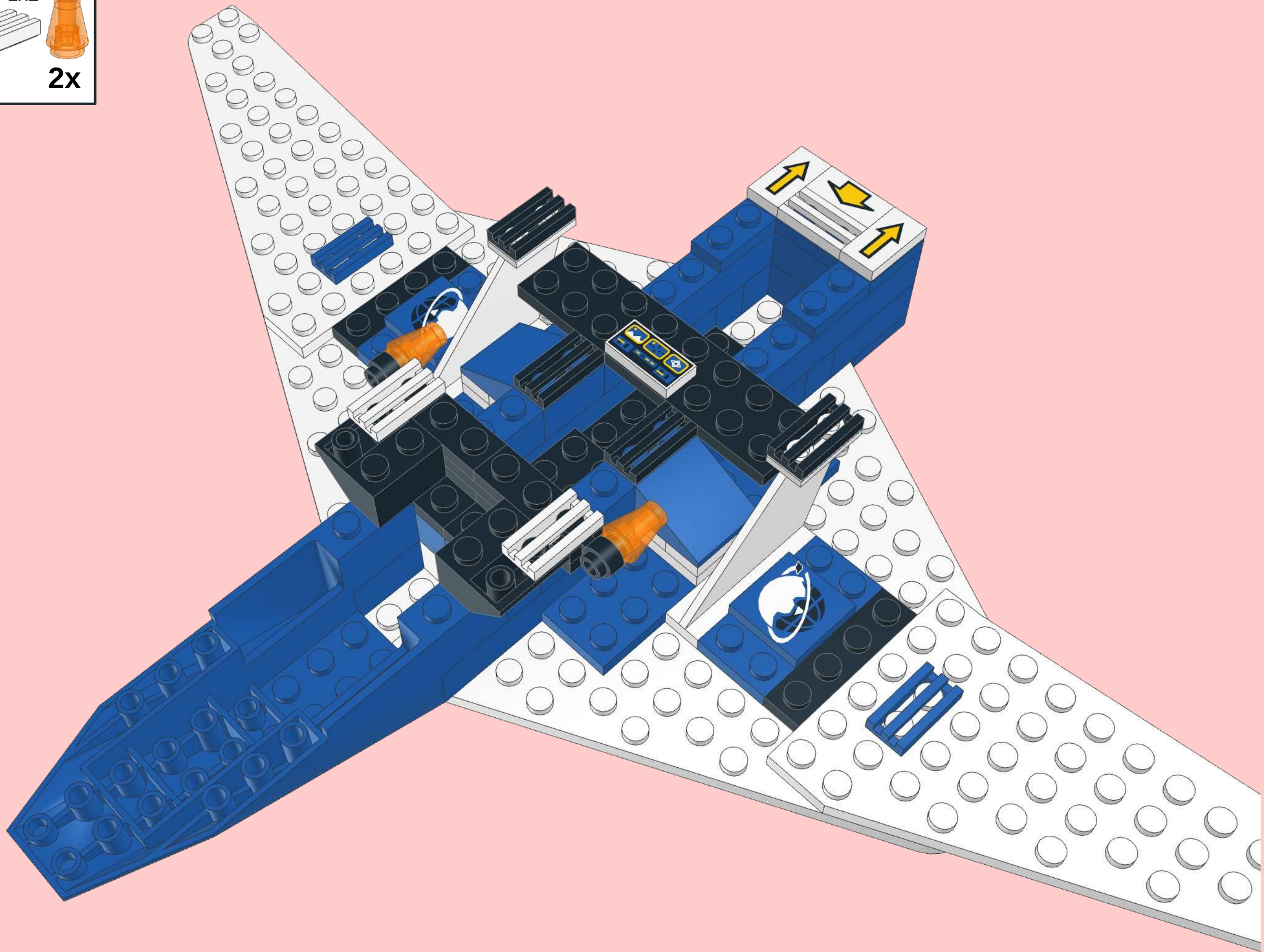
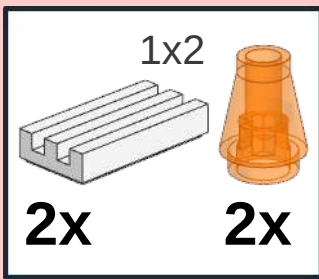
- 1x2
- 2x 1x1
- 2x



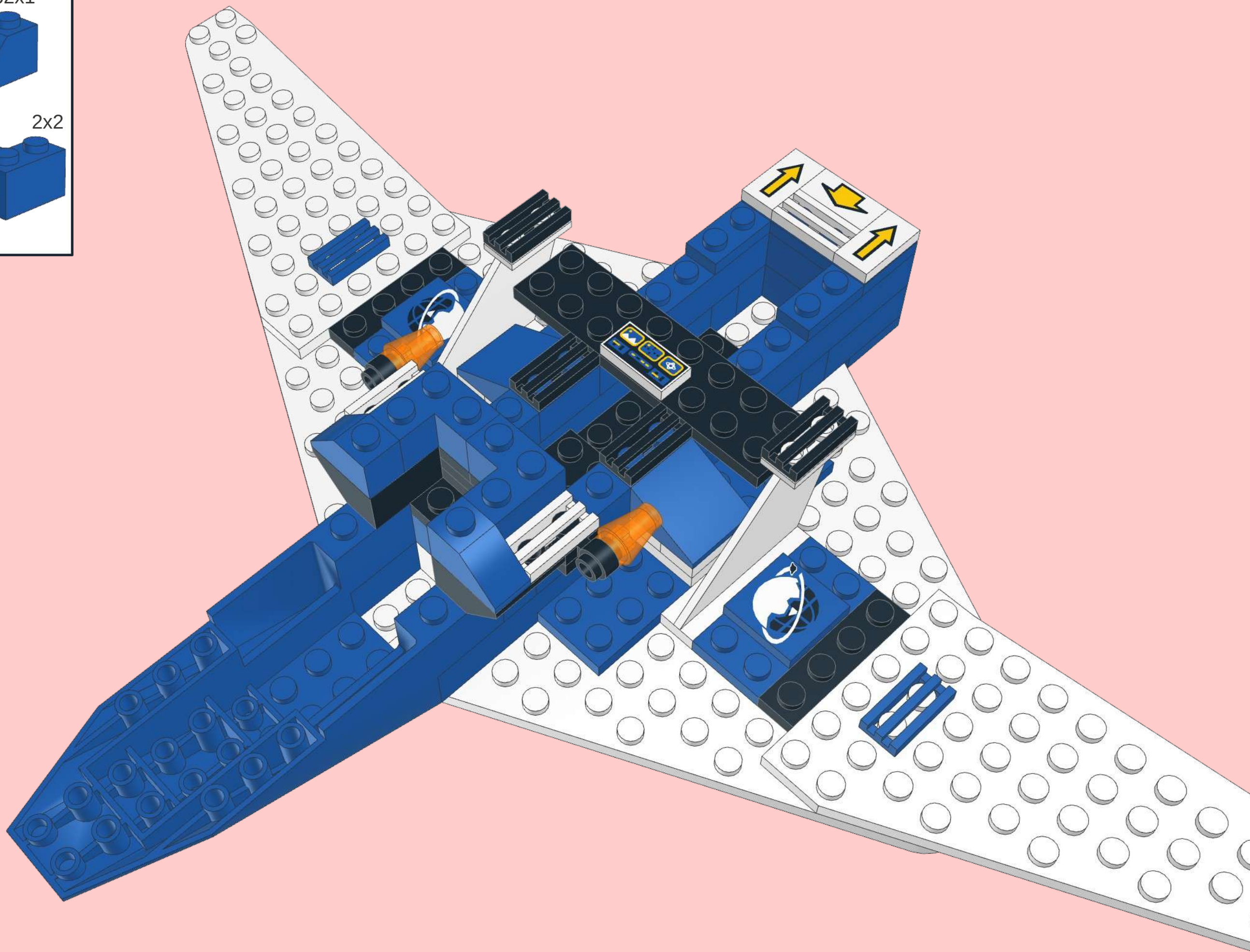
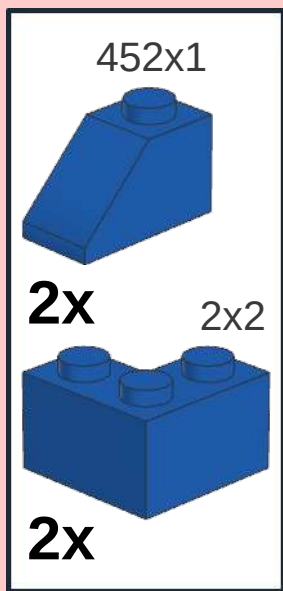
16



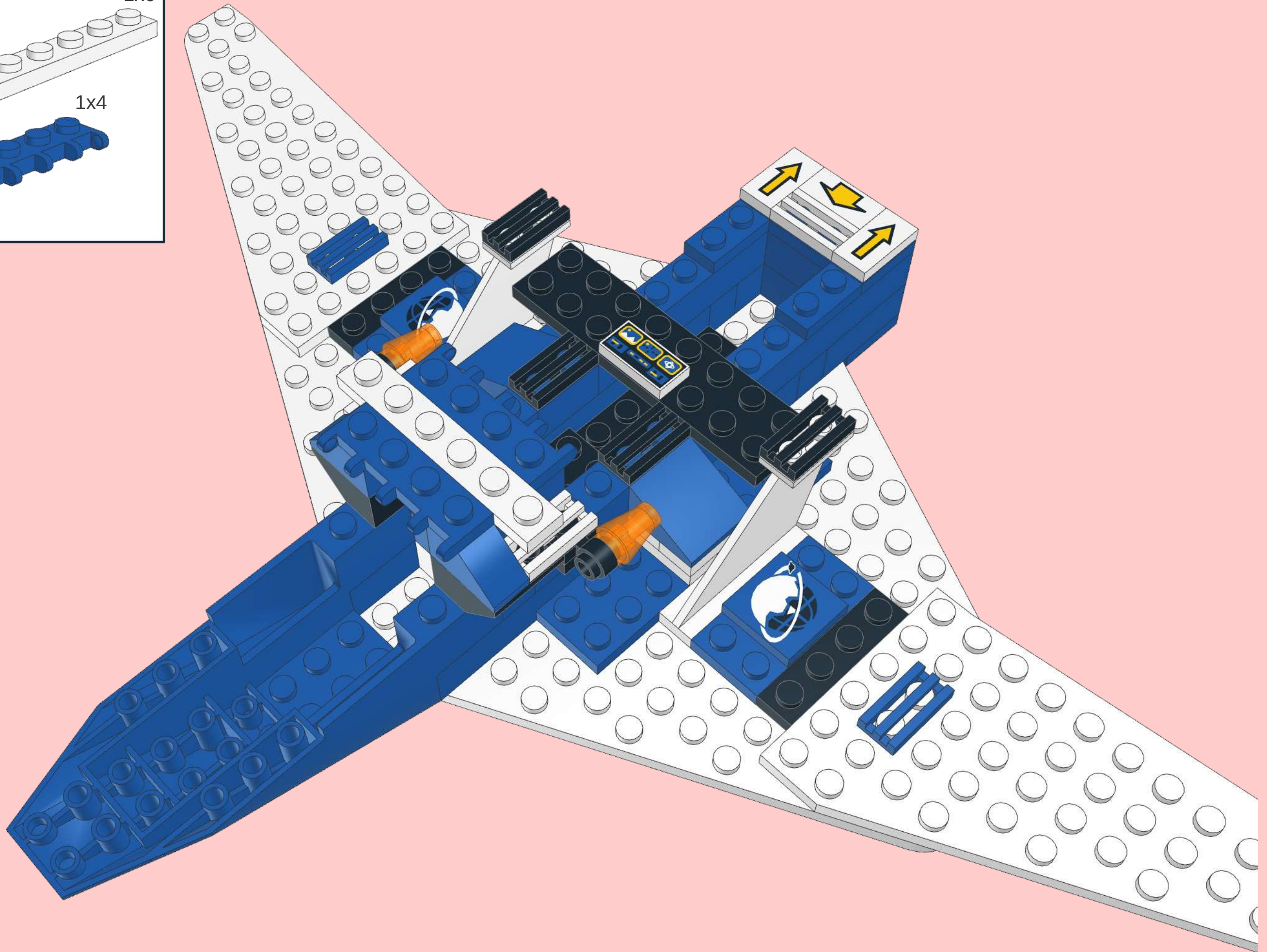
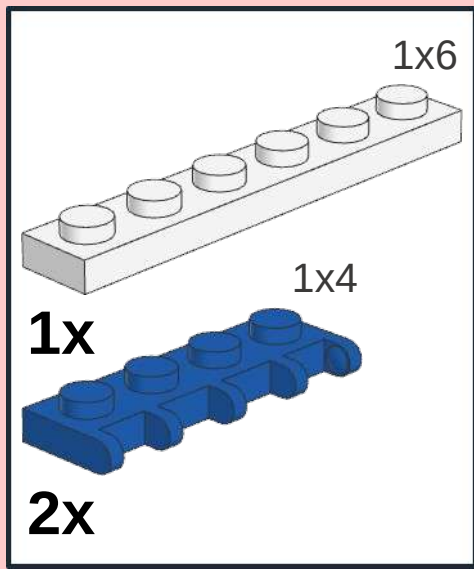
17



18

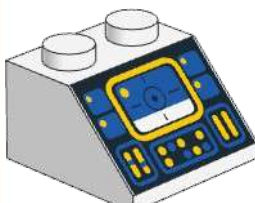


19



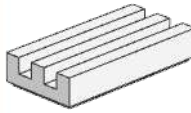
20

452x2

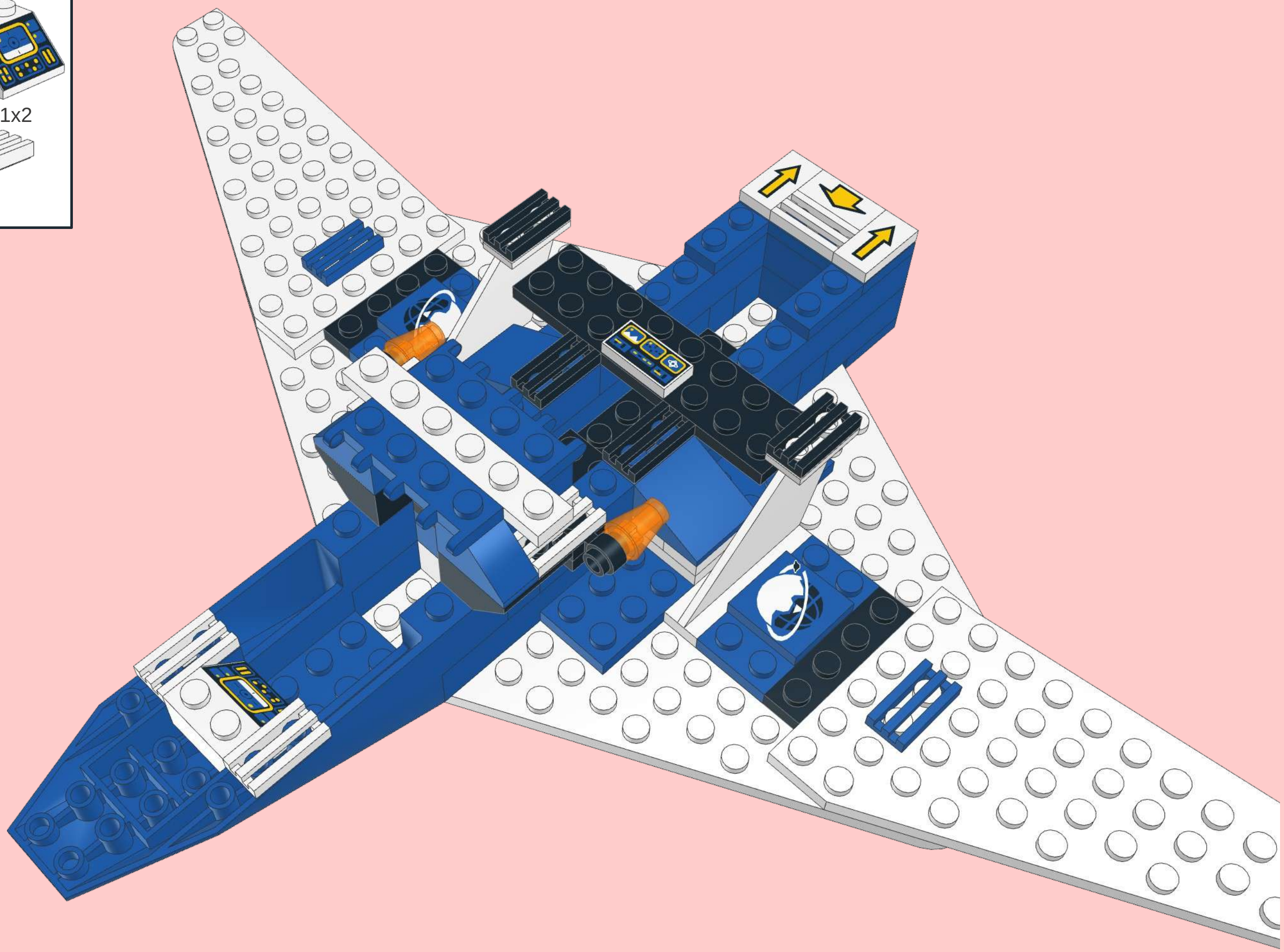


1x

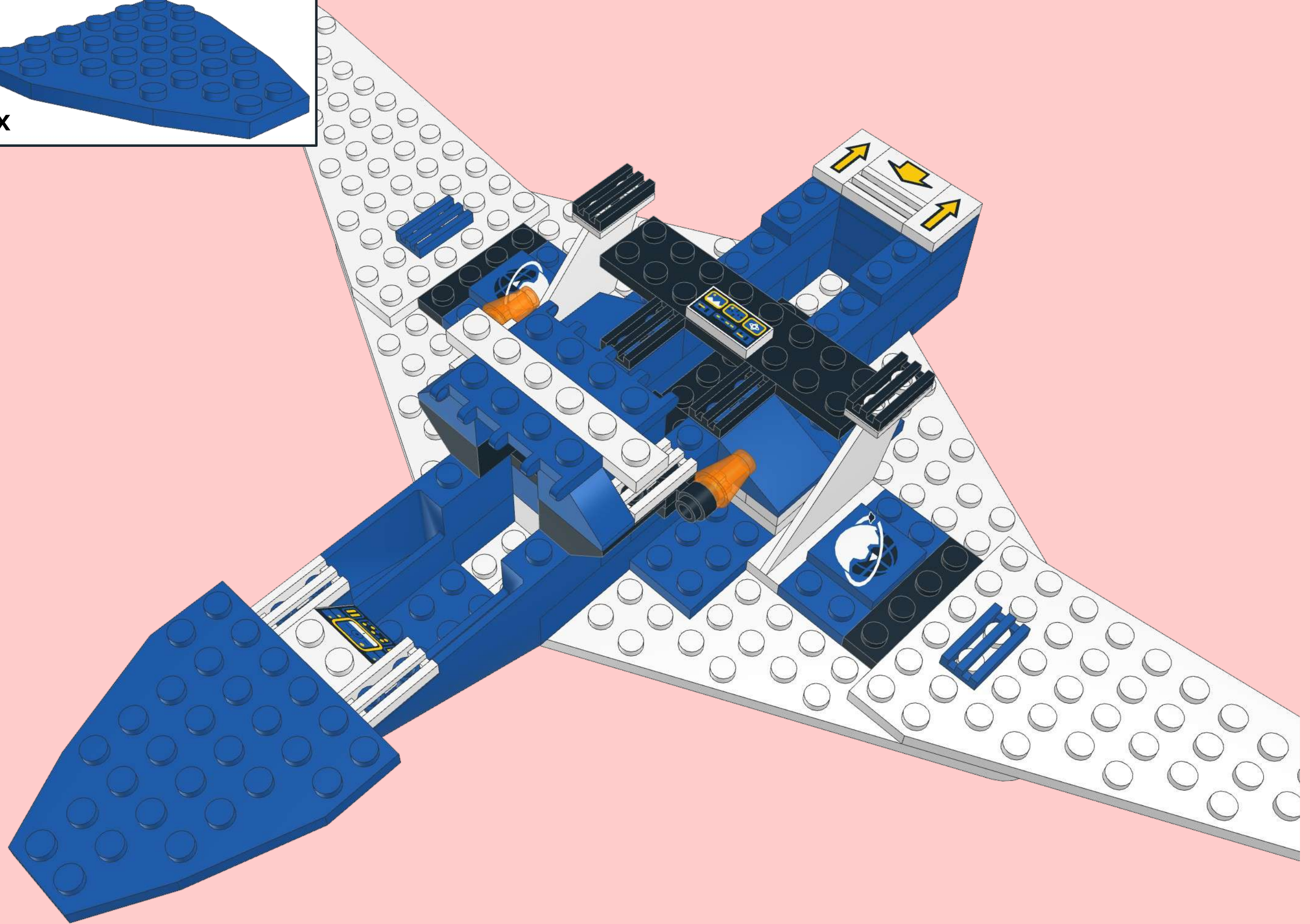
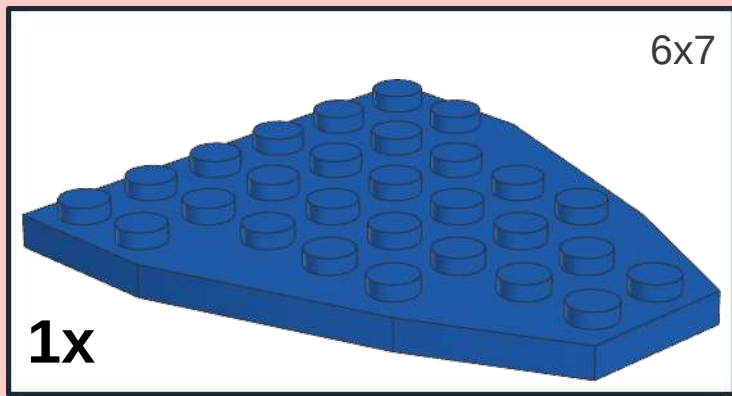
1x2



2x

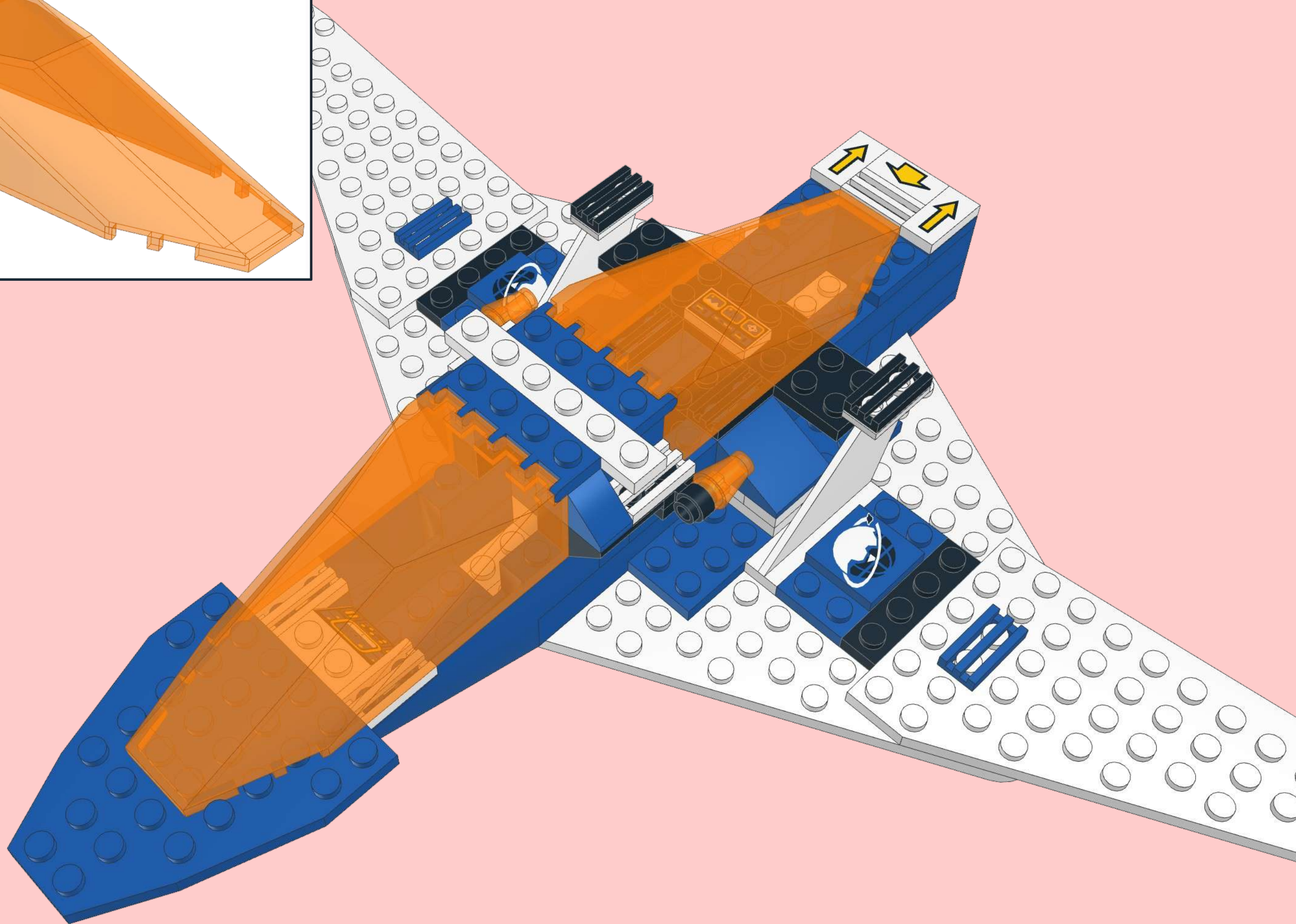
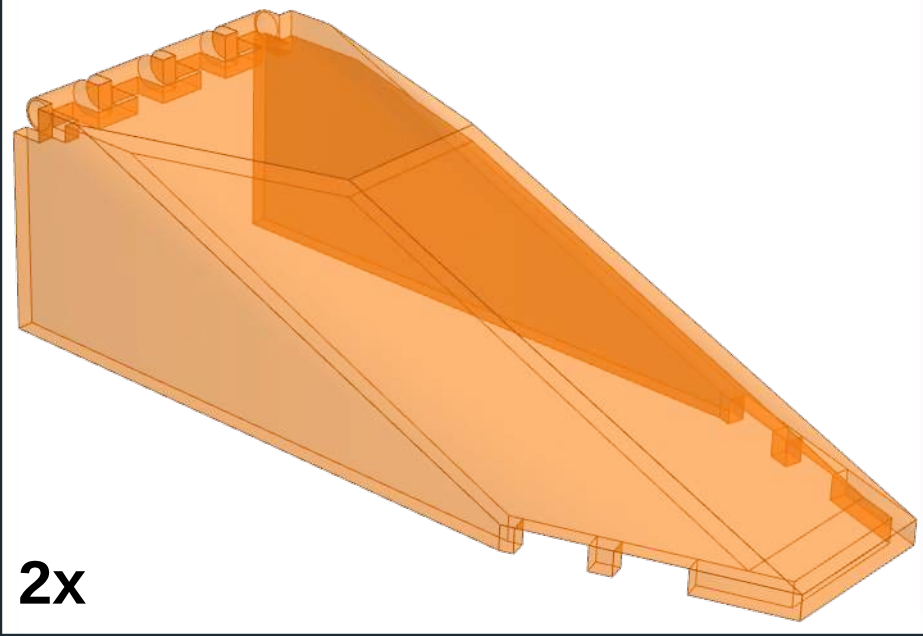


21

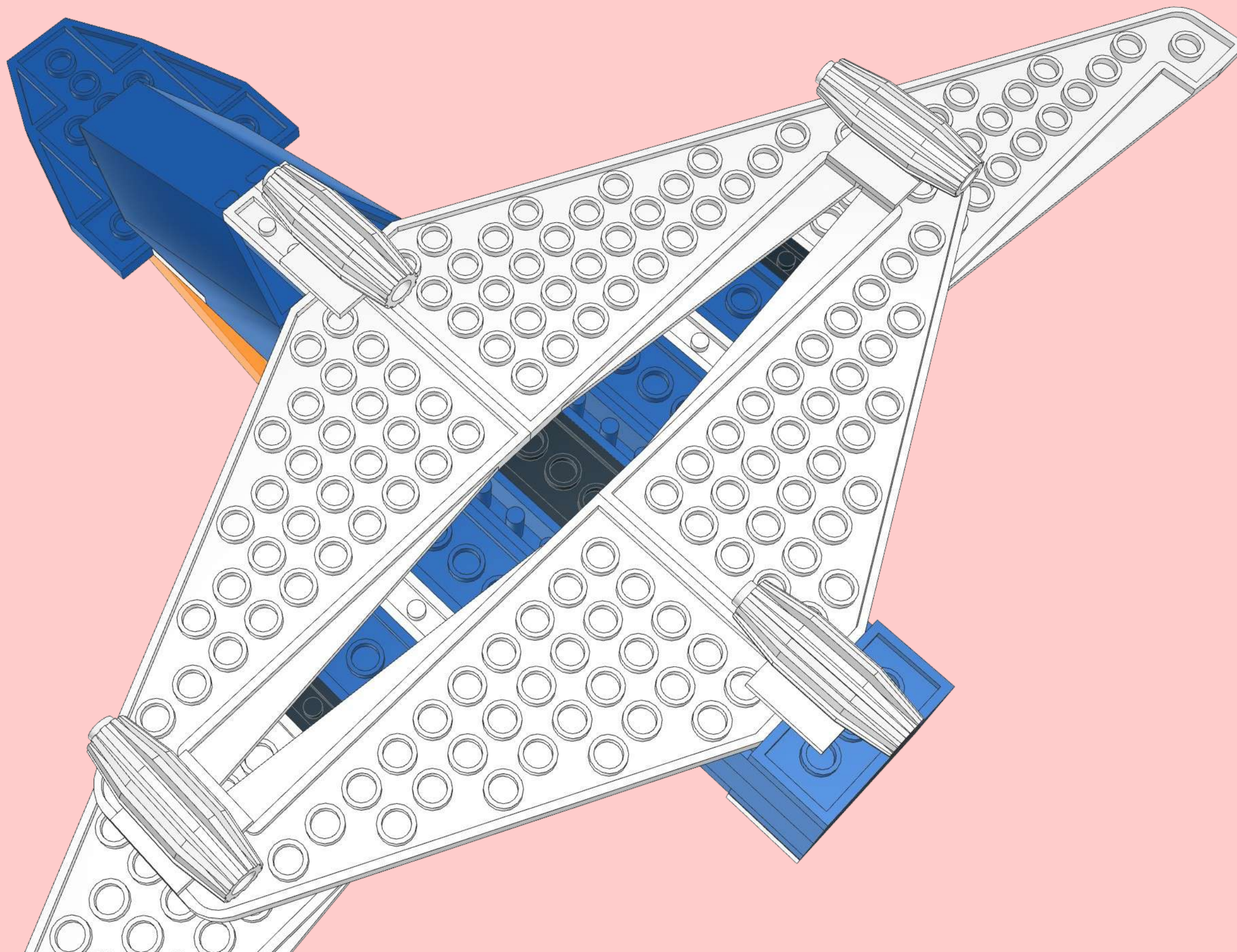
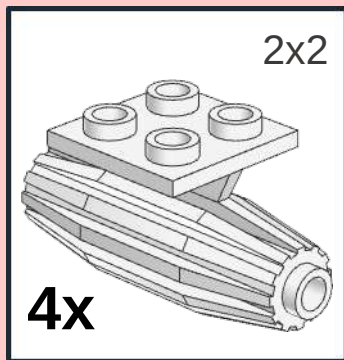


22

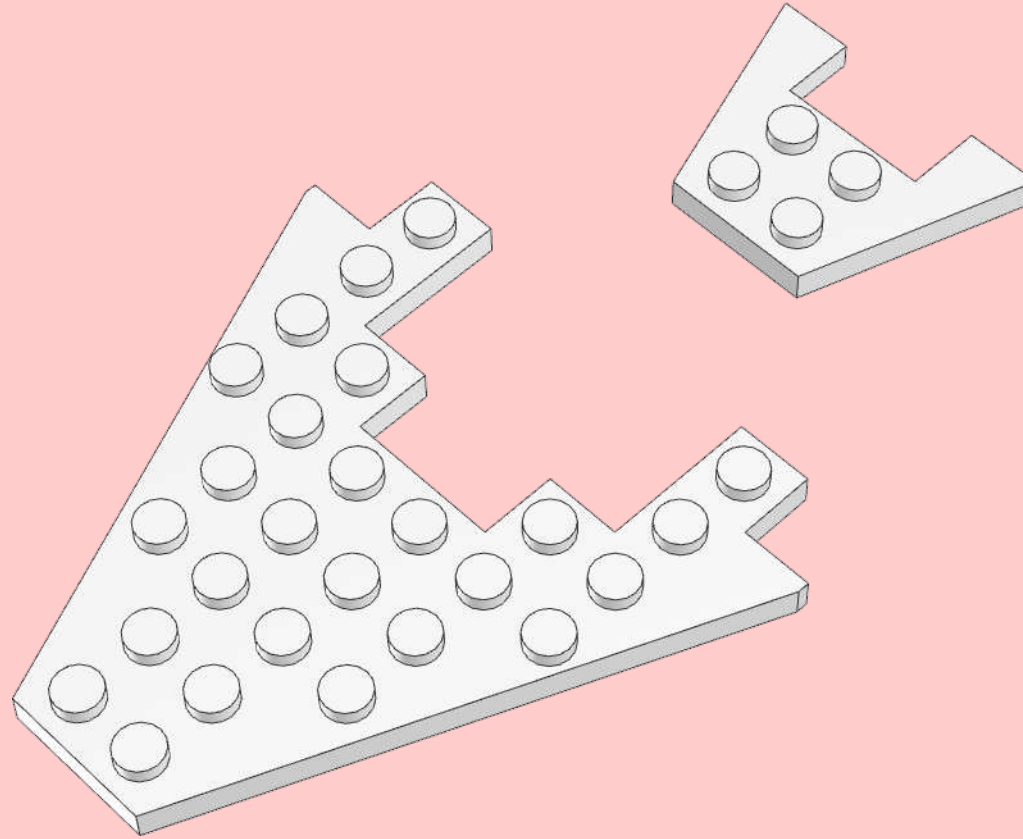
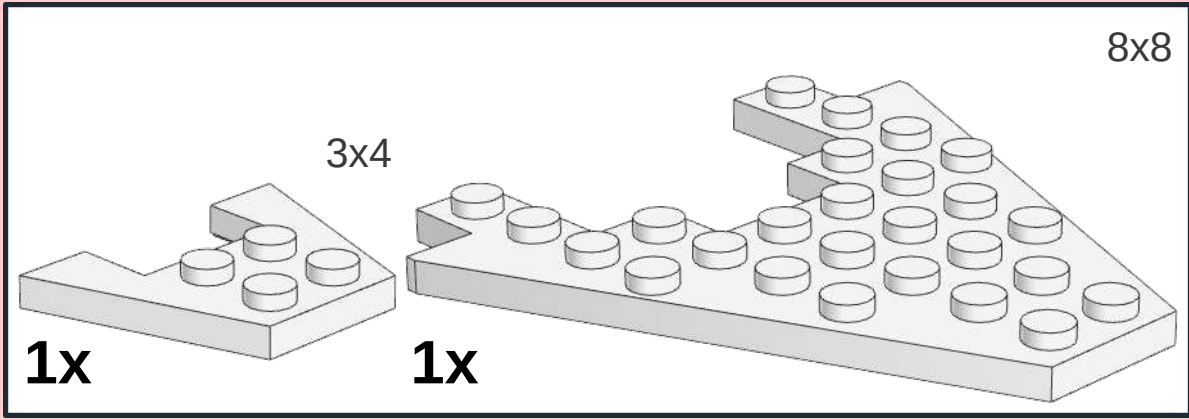
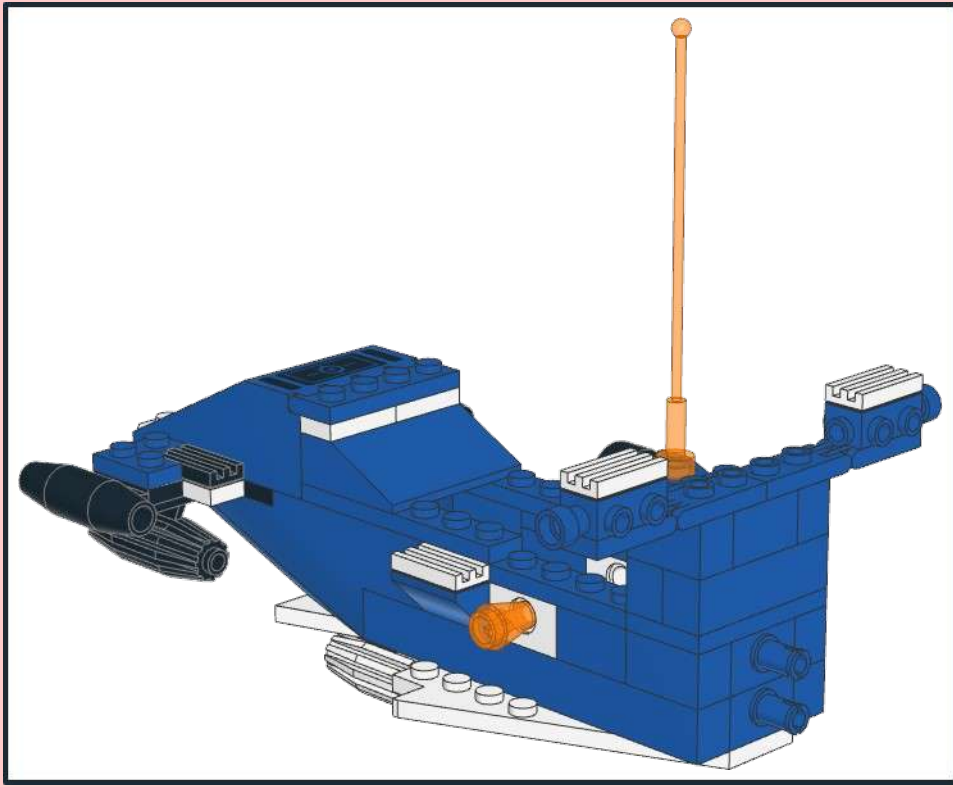
10x4x2



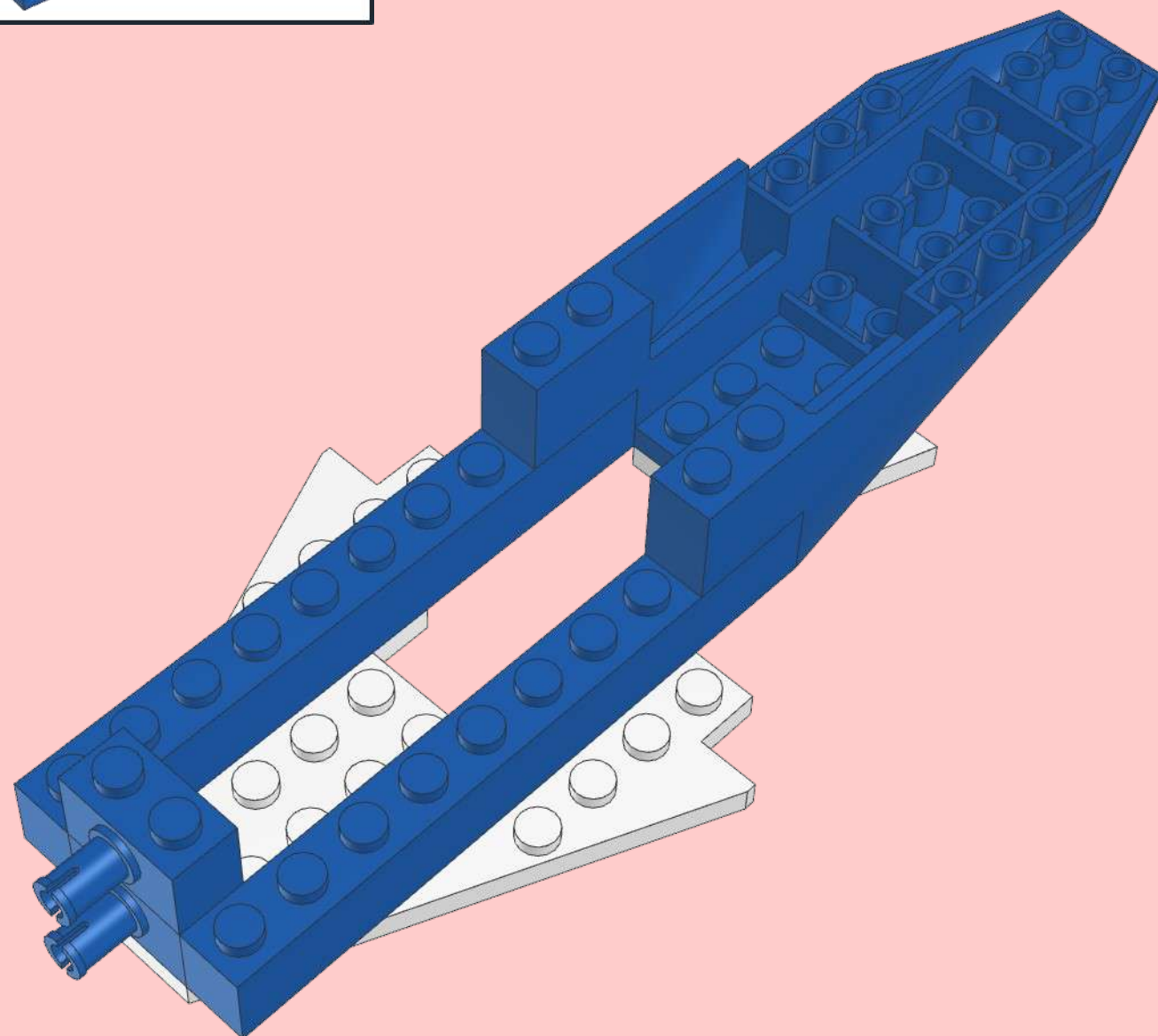
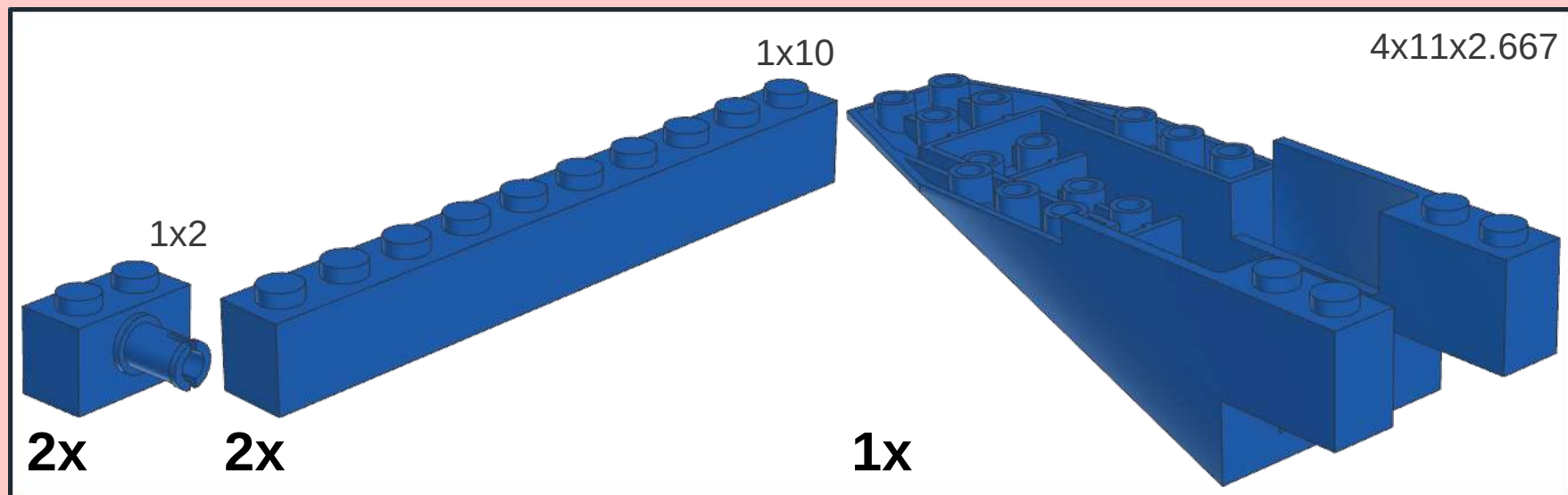
23



1

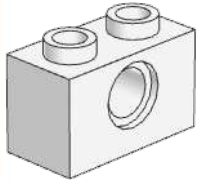


2

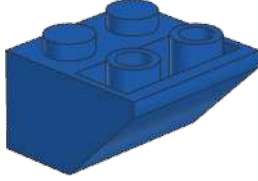


3

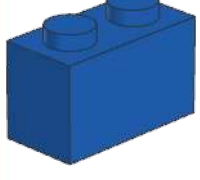
1x2



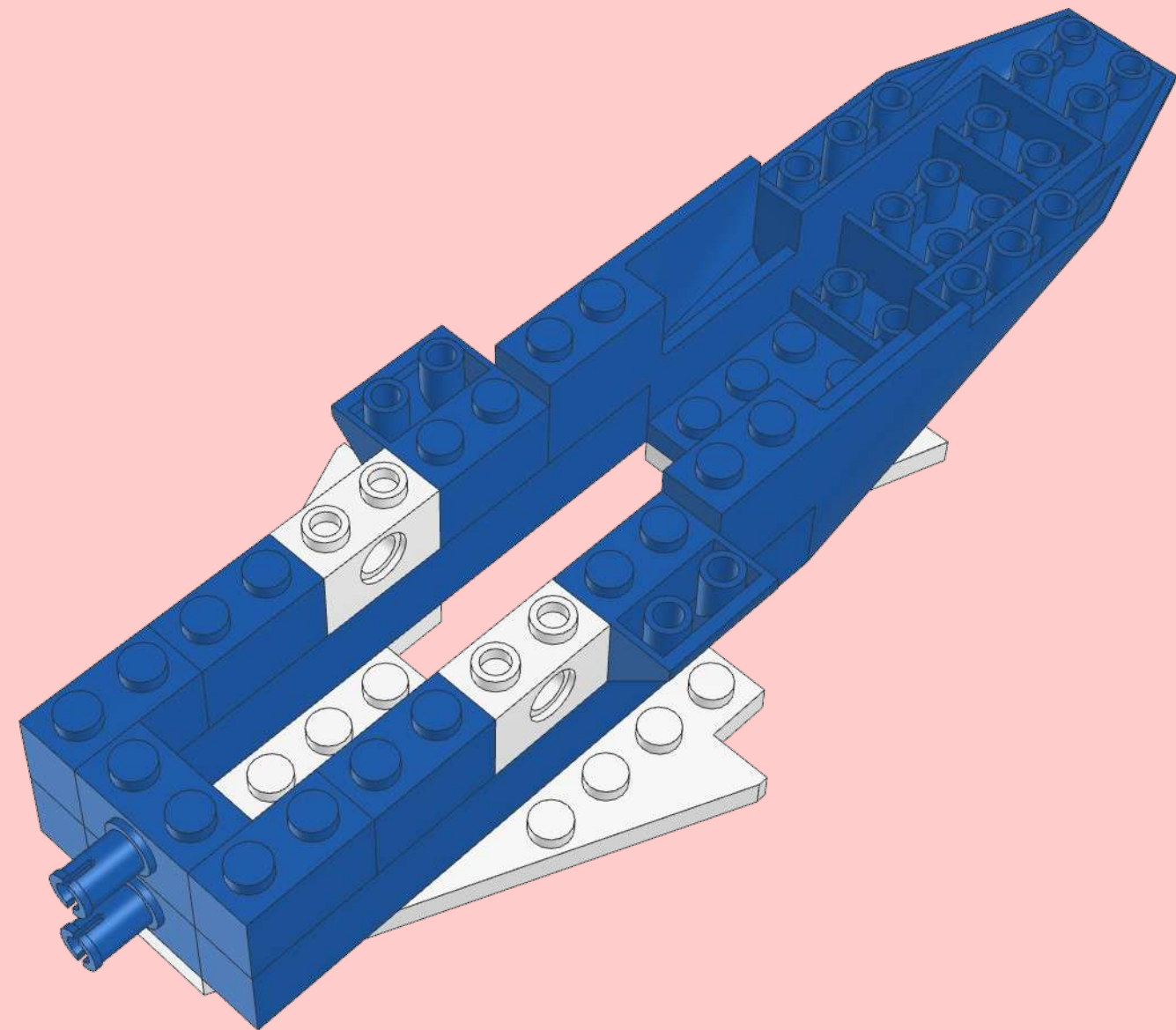
2x 452x2



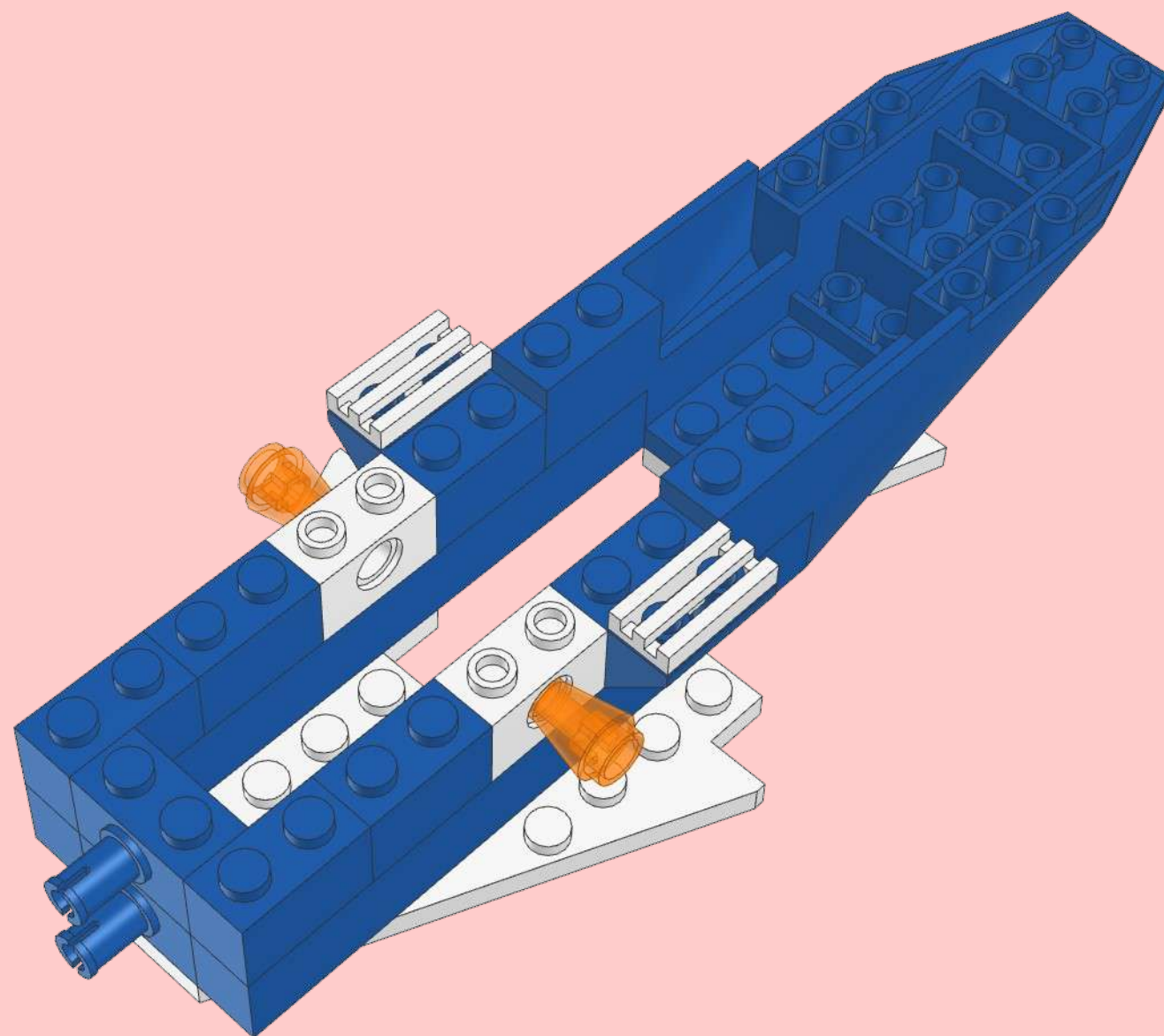
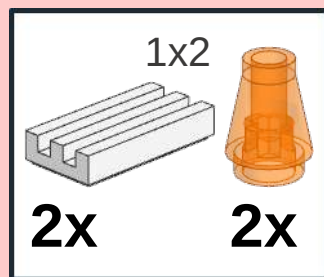
2x 1x2



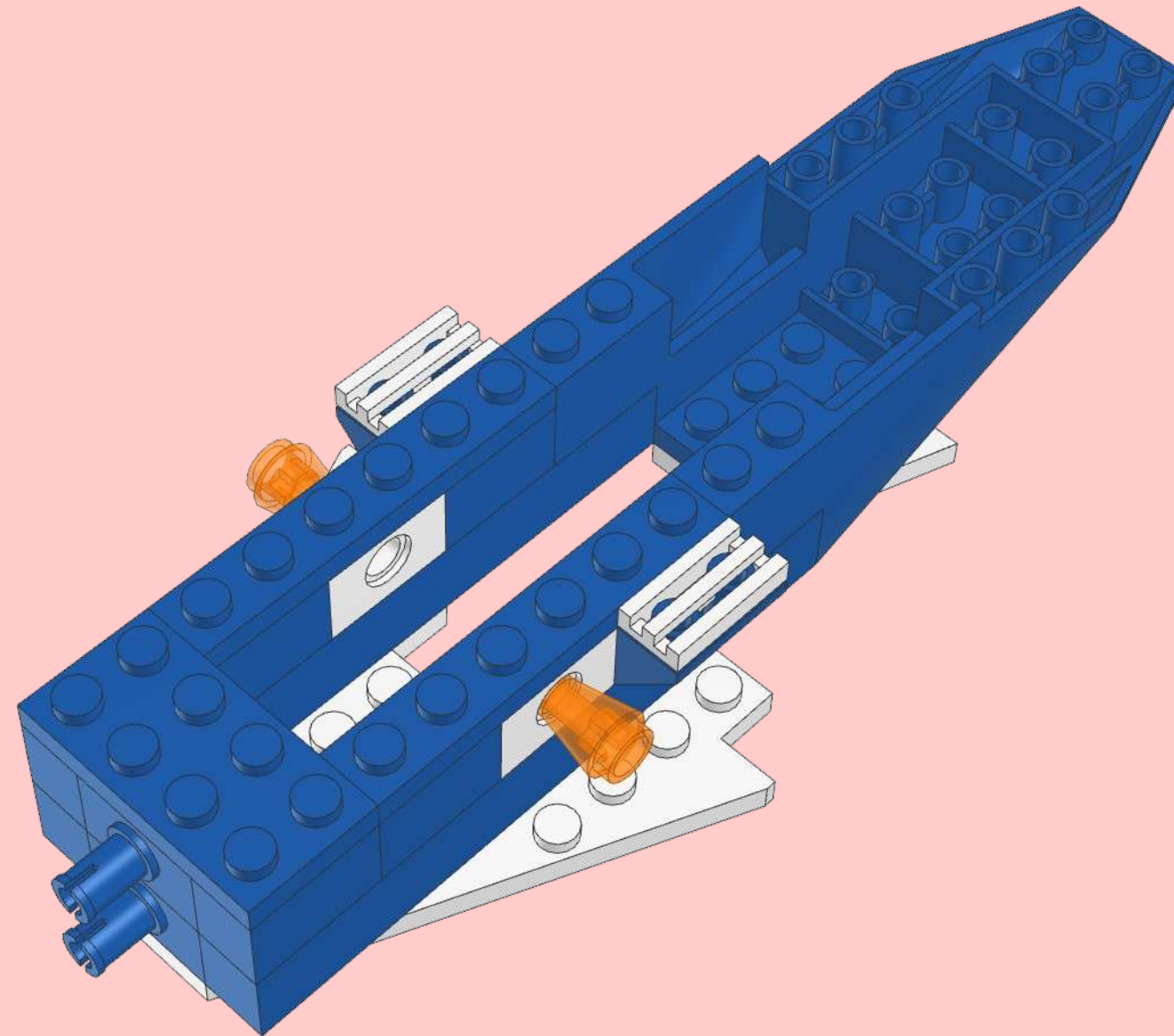
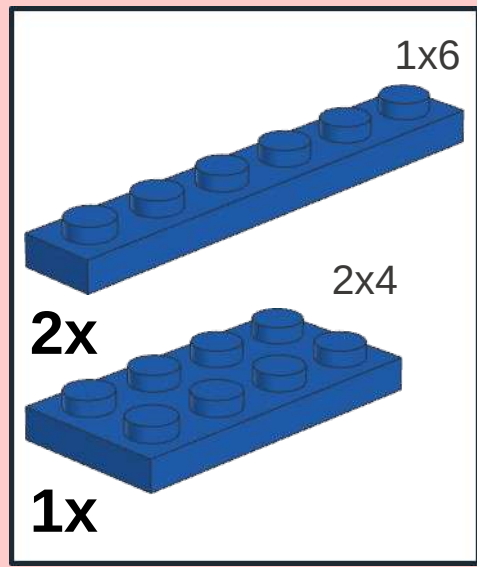
4x



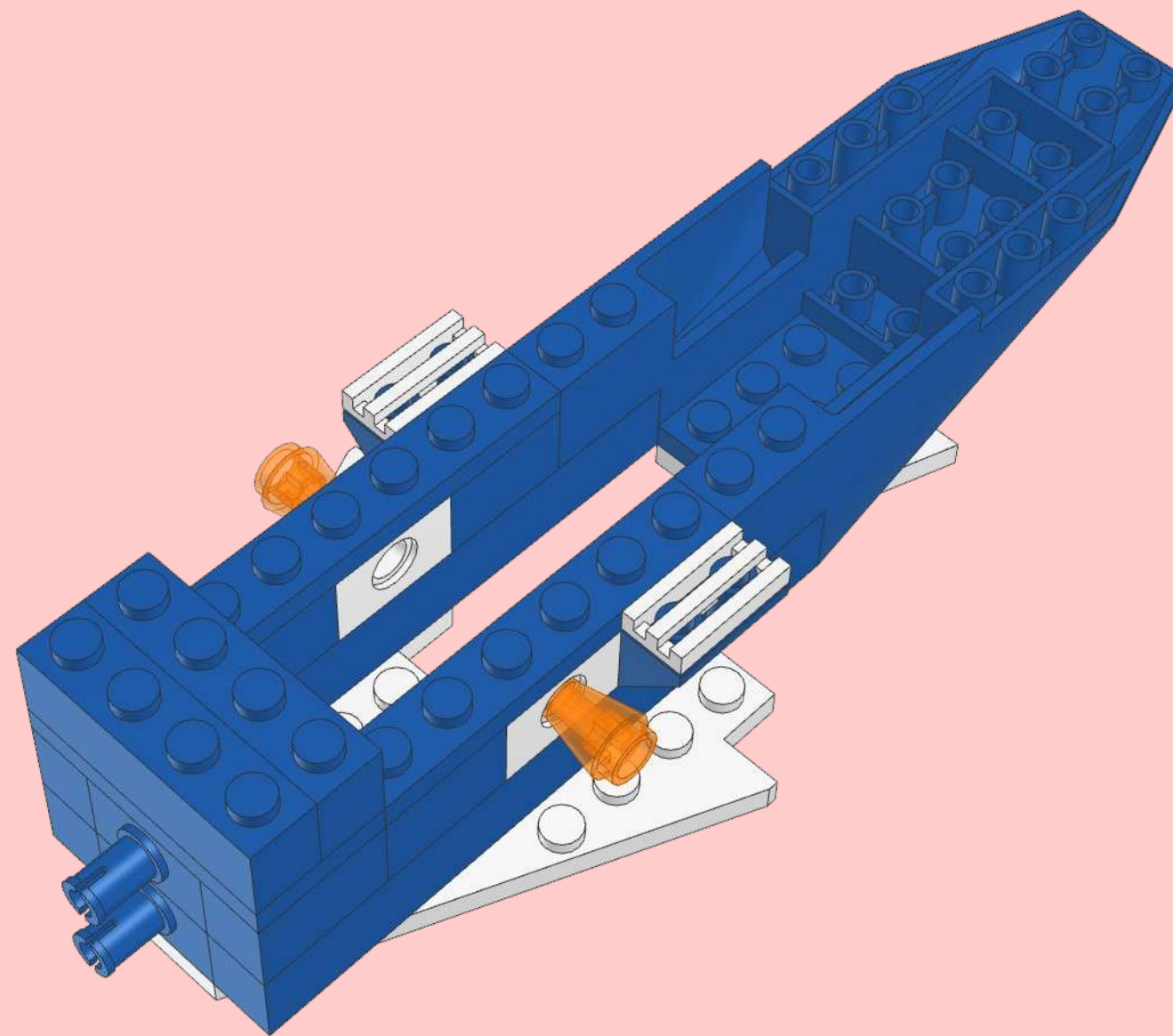
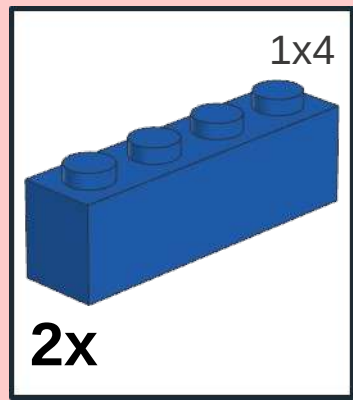
4



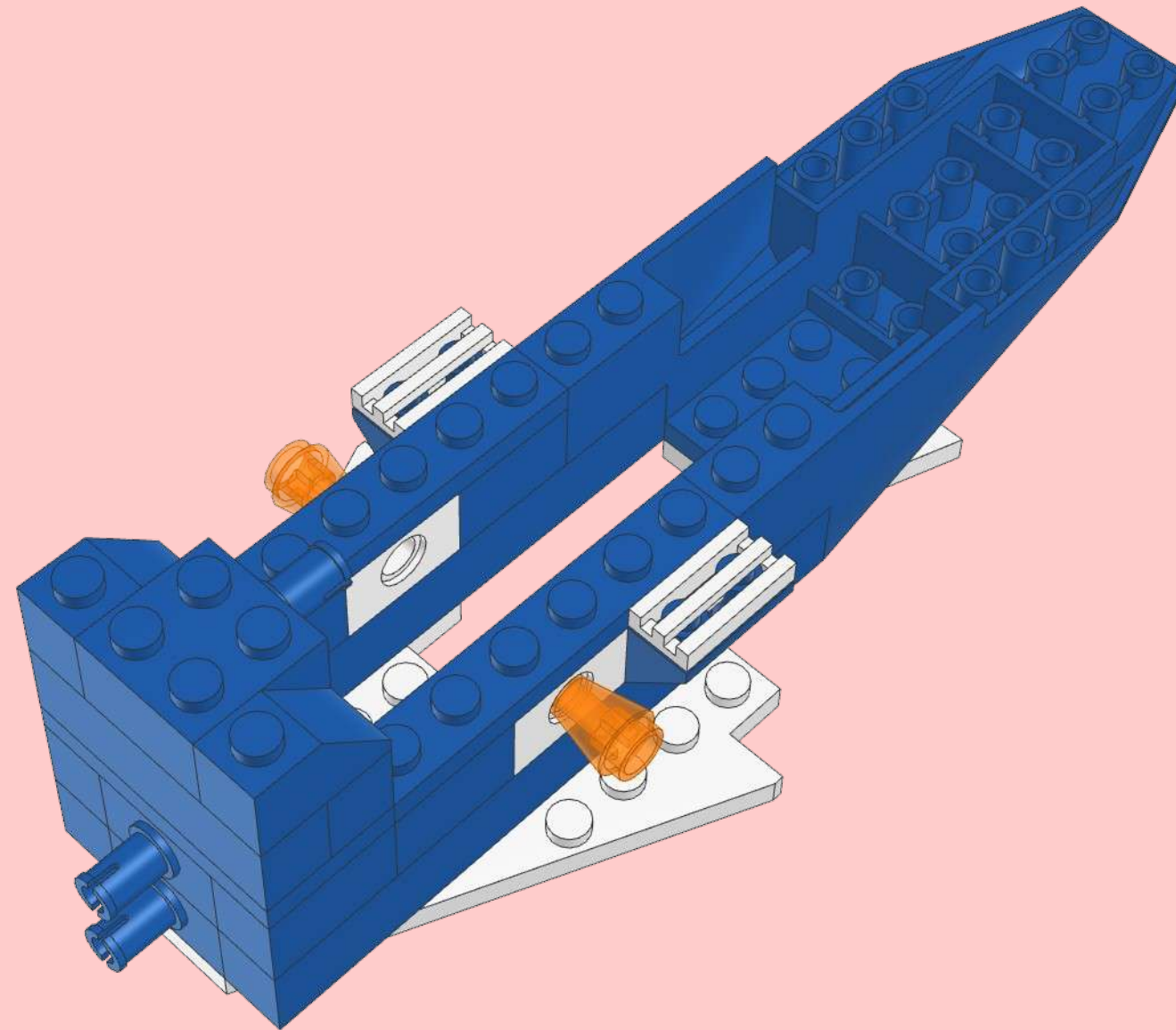
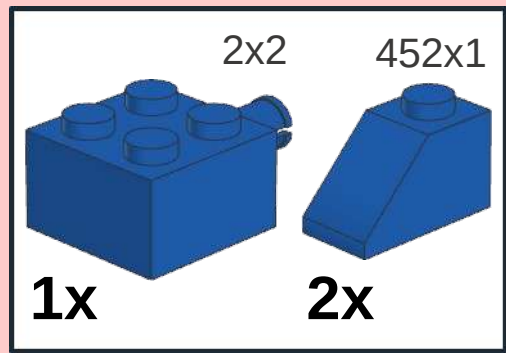
5



6



7



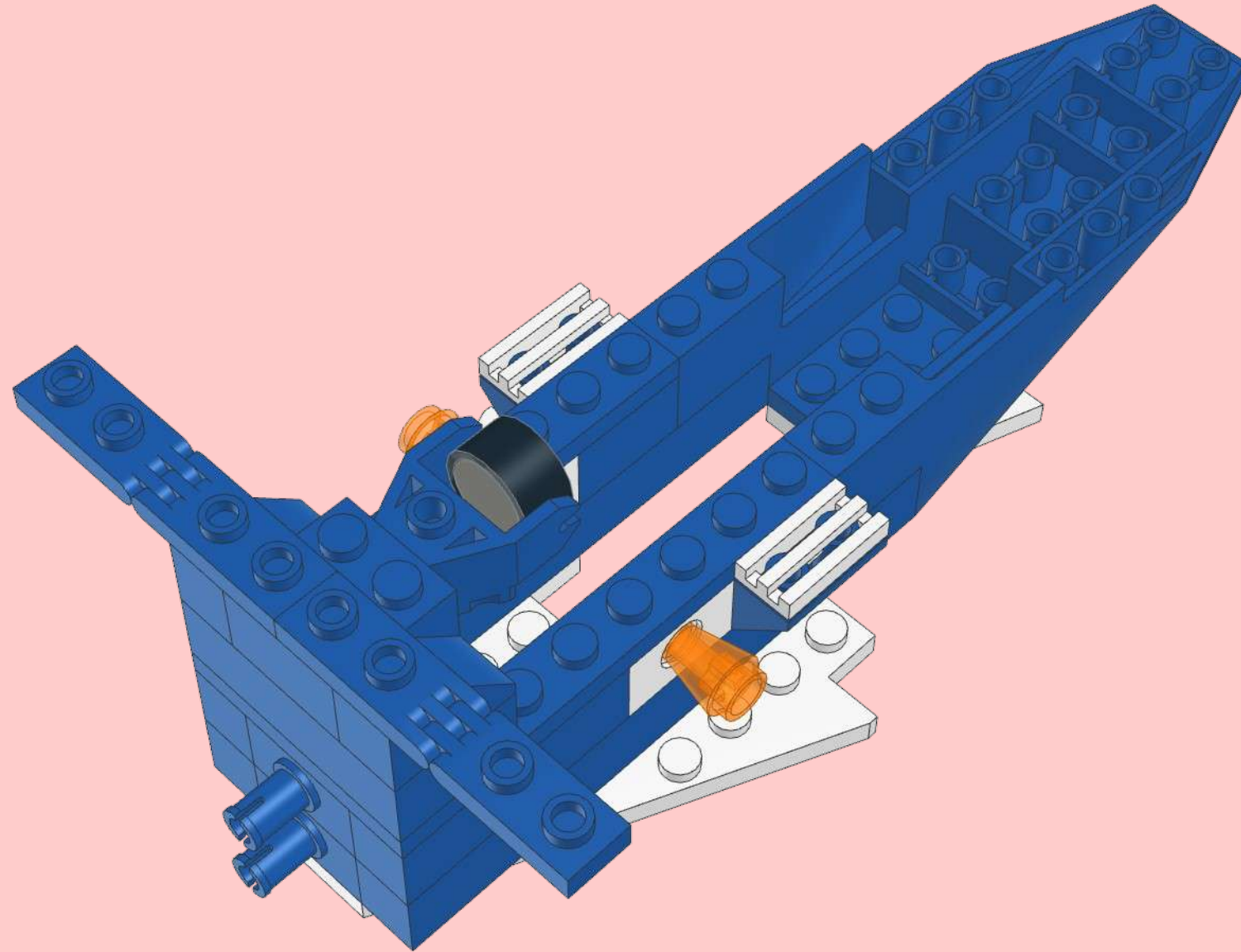
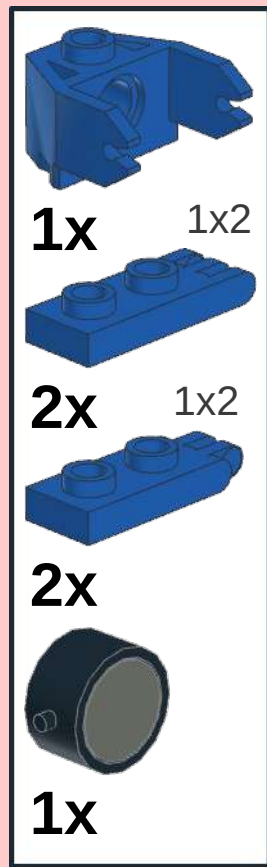
8

1x 1x2

2x 1x2


2x

1x



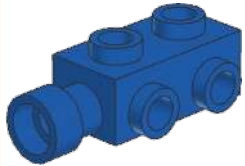
9

1x2



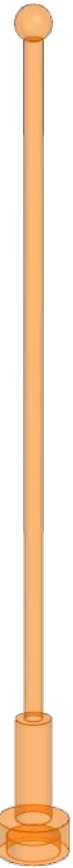
2x

1x2x0.667

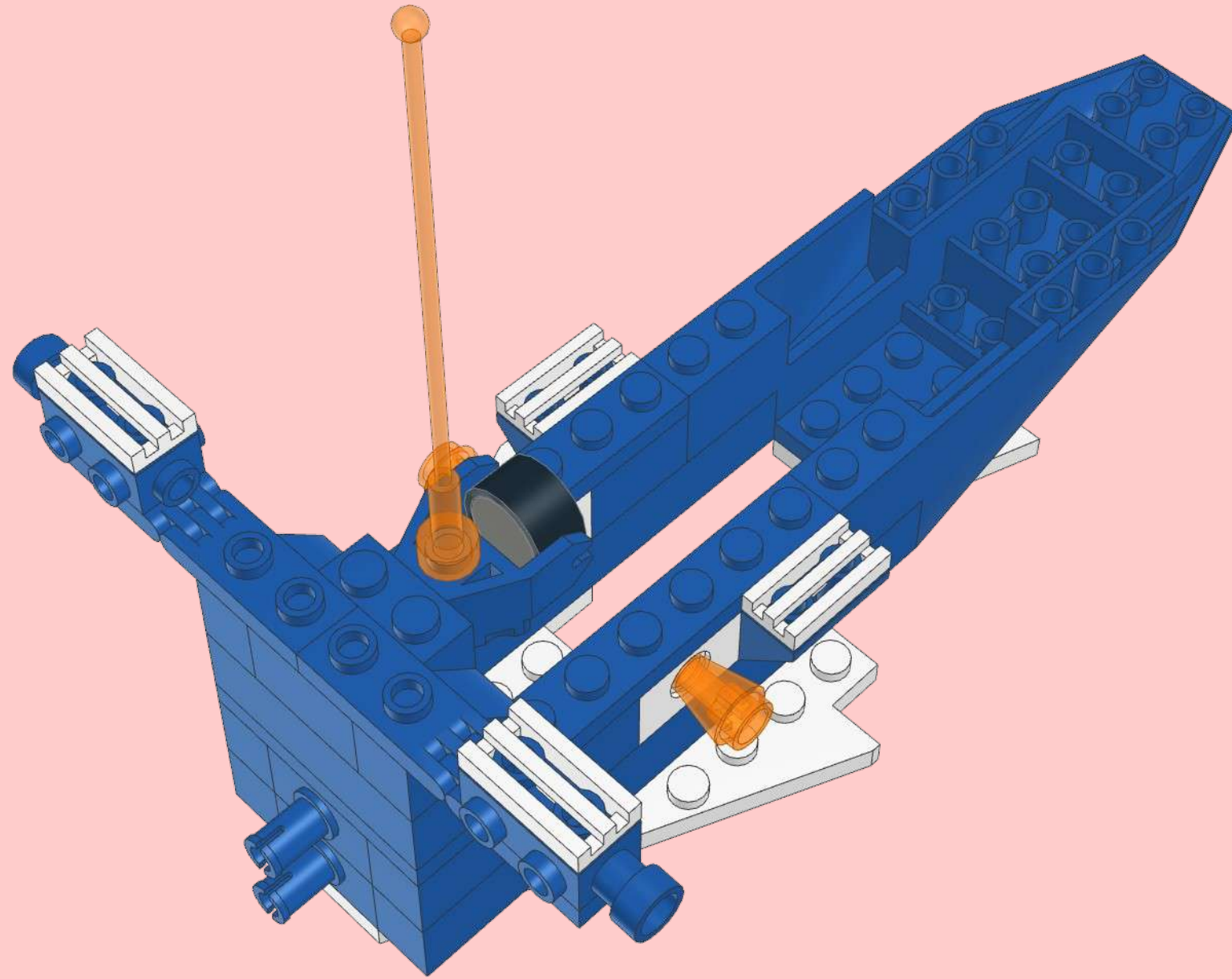



2x

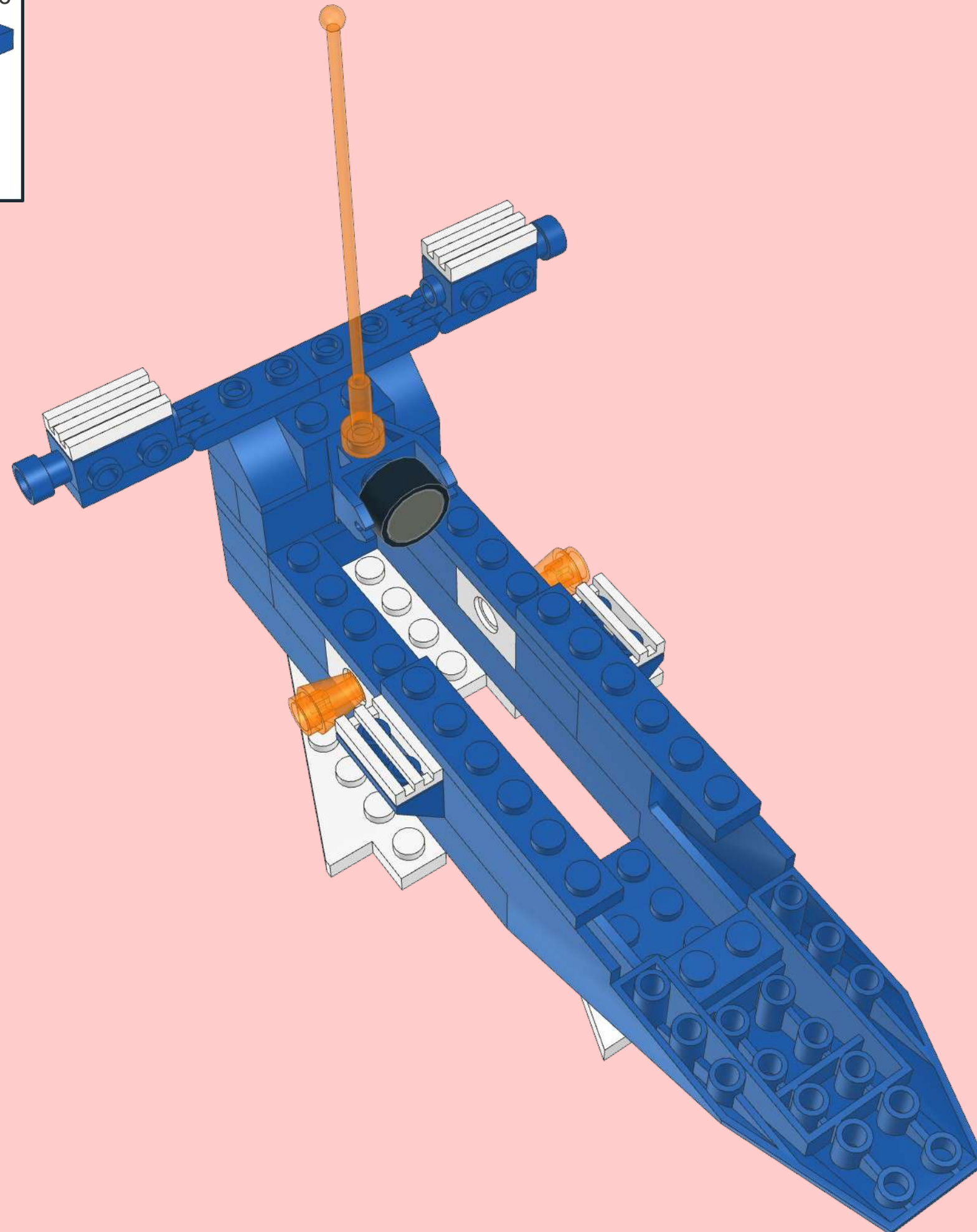
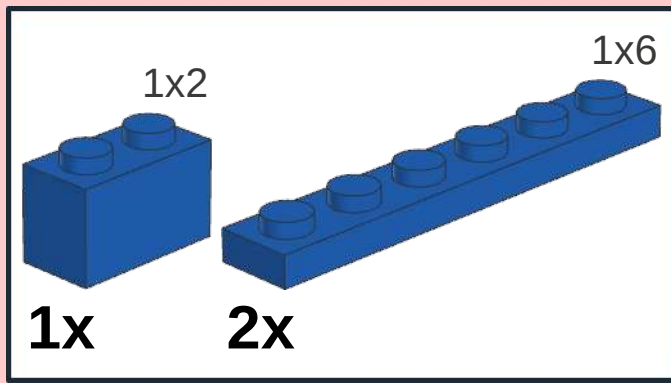
8H



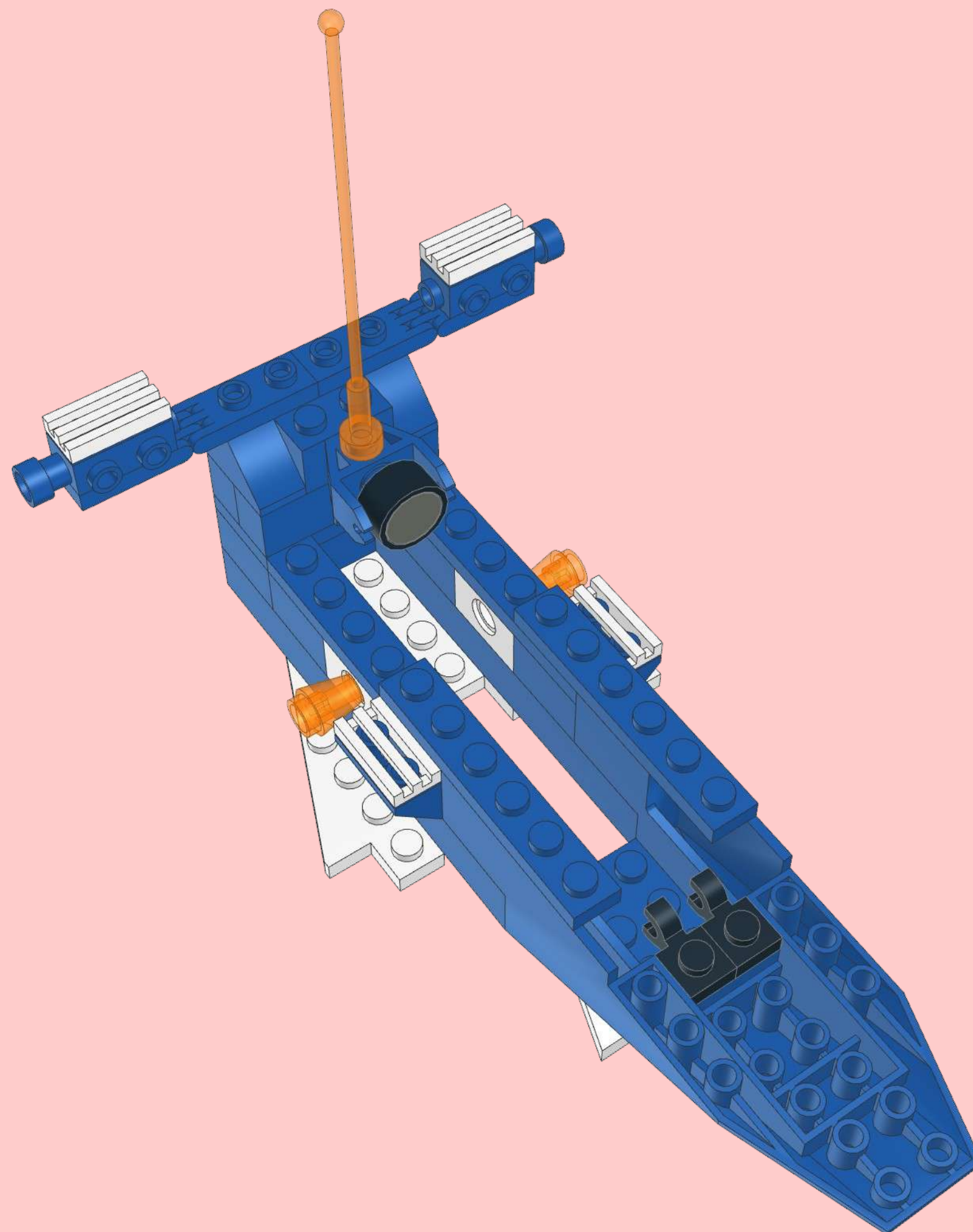
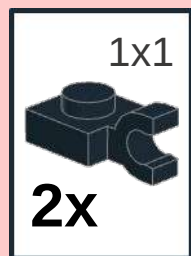
1x



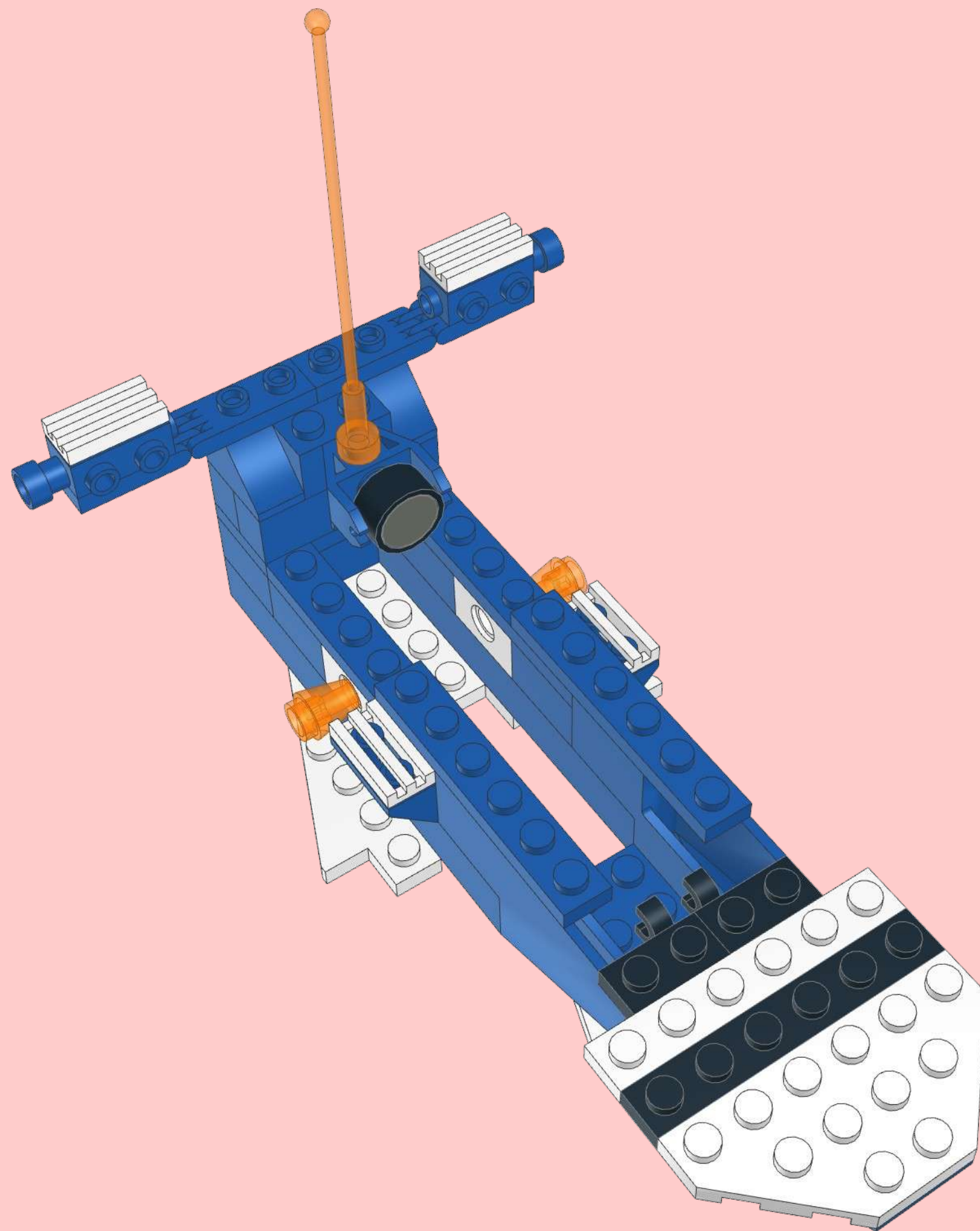
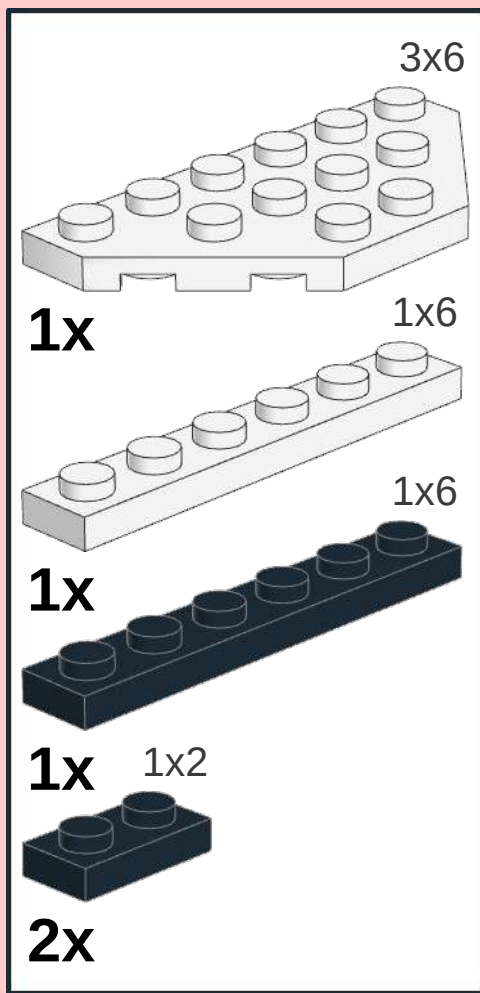
10



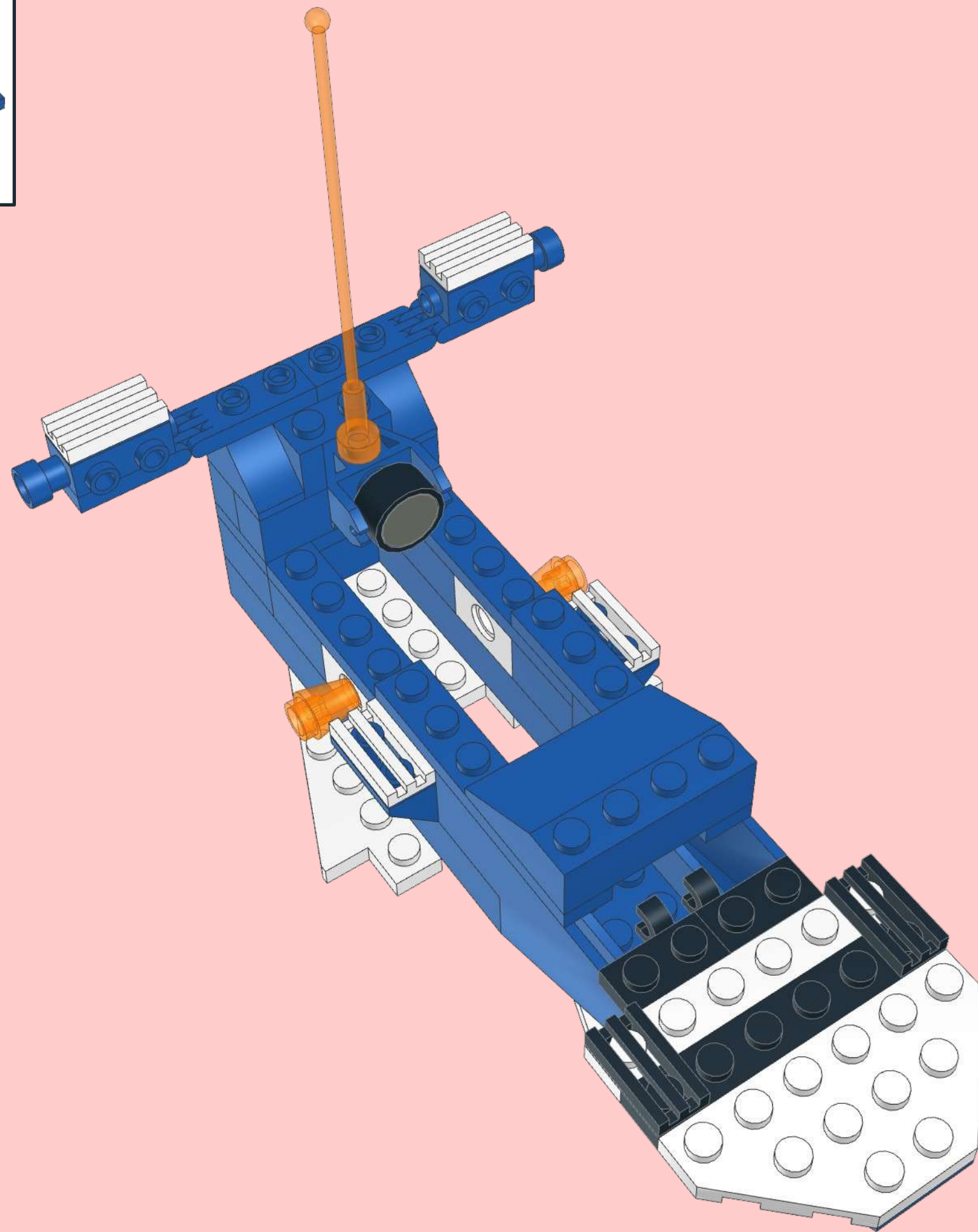
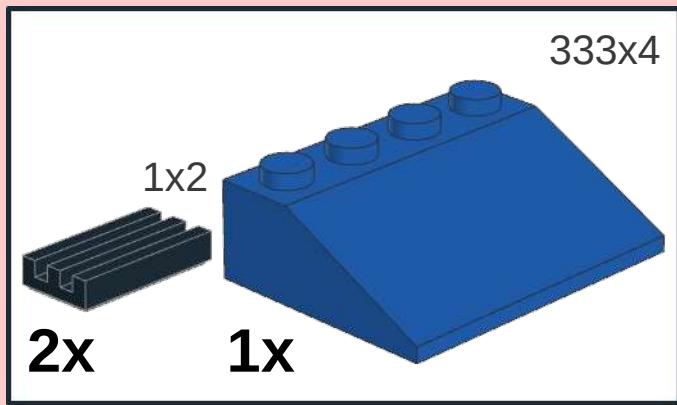
11



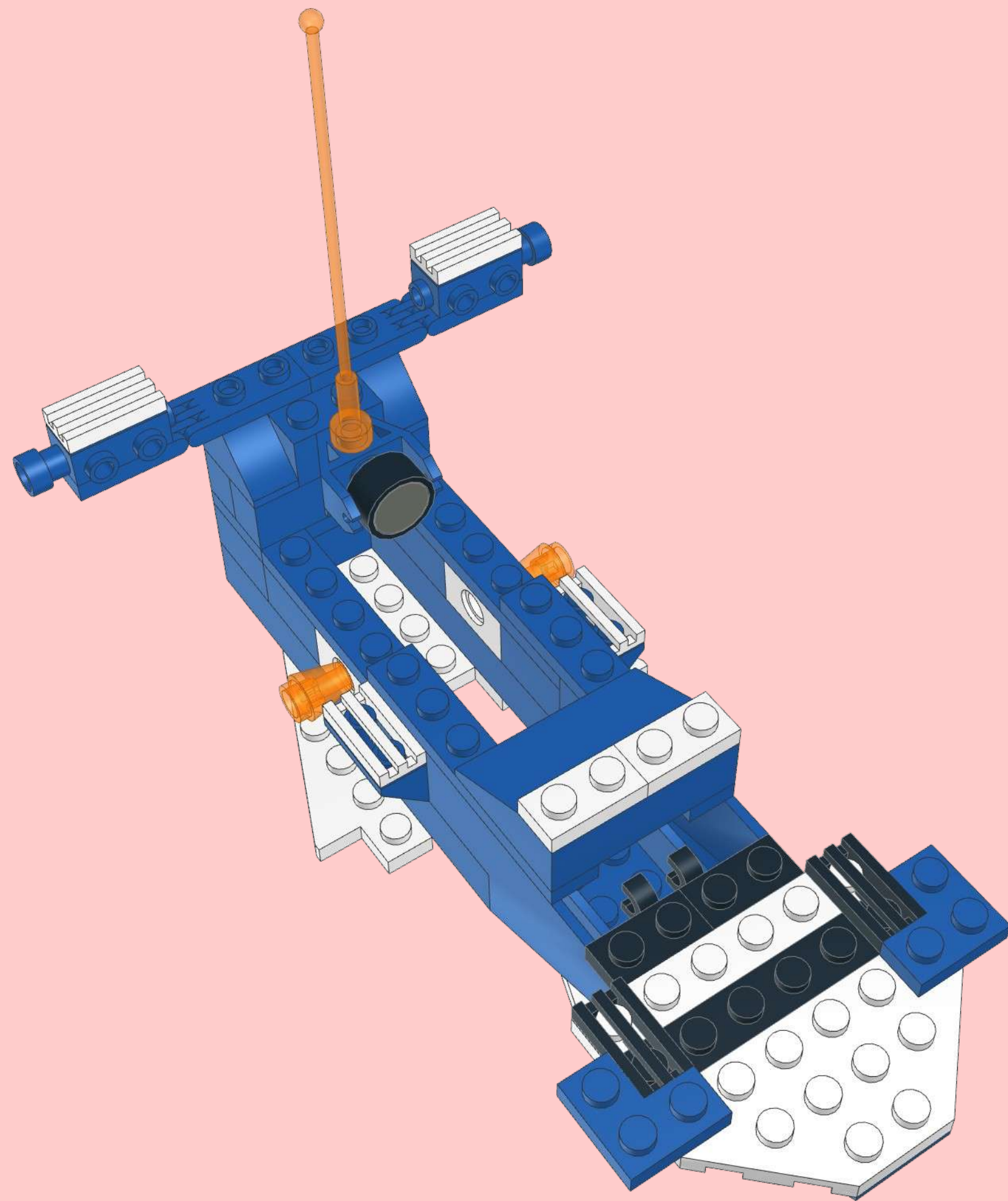
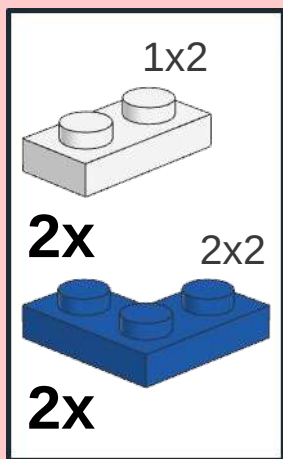
12



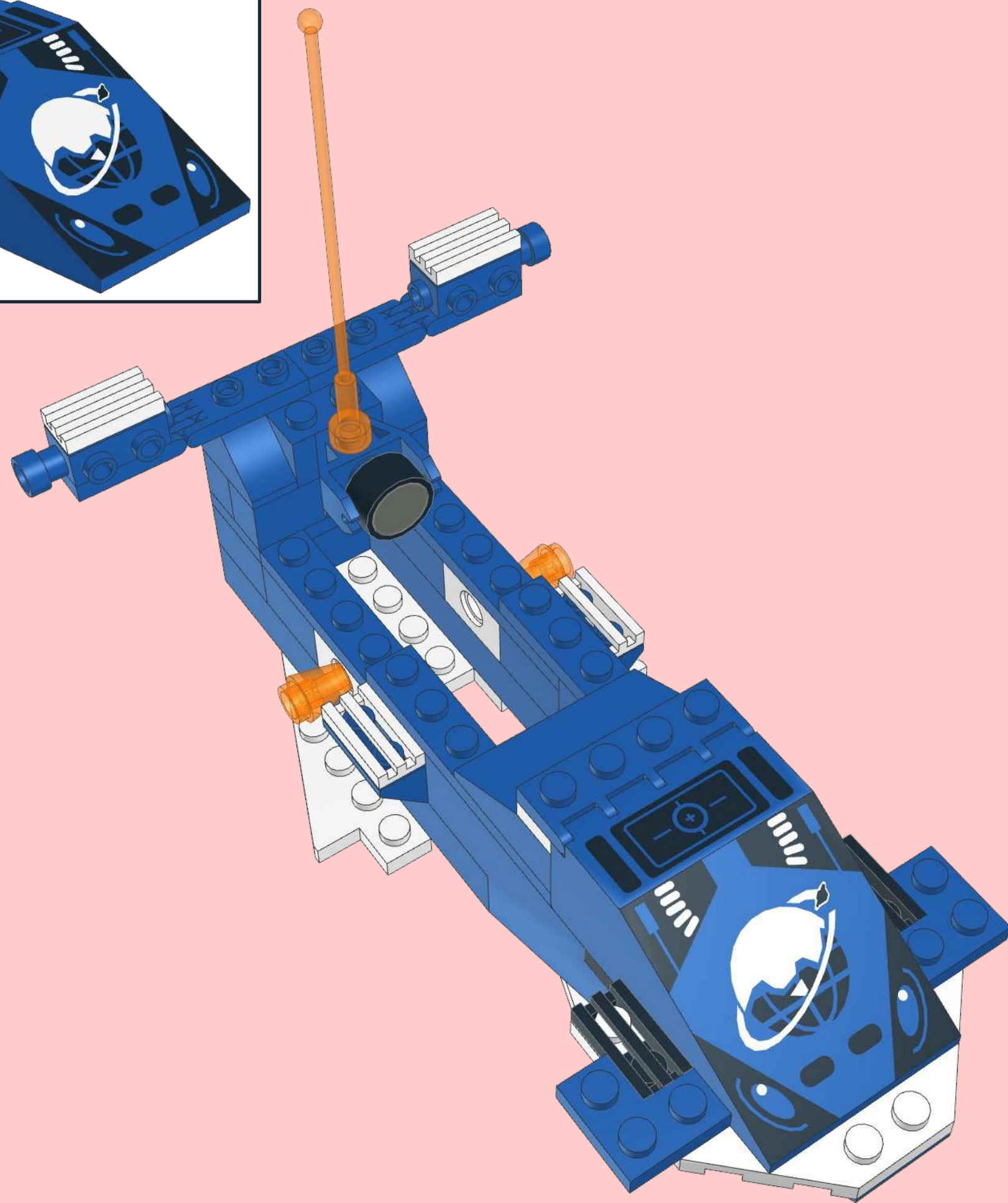
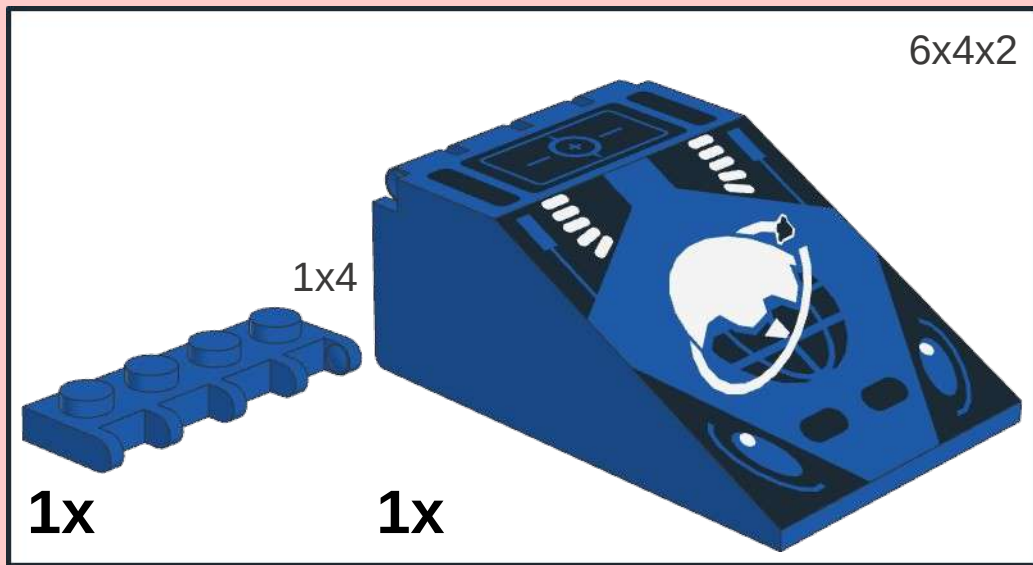
13



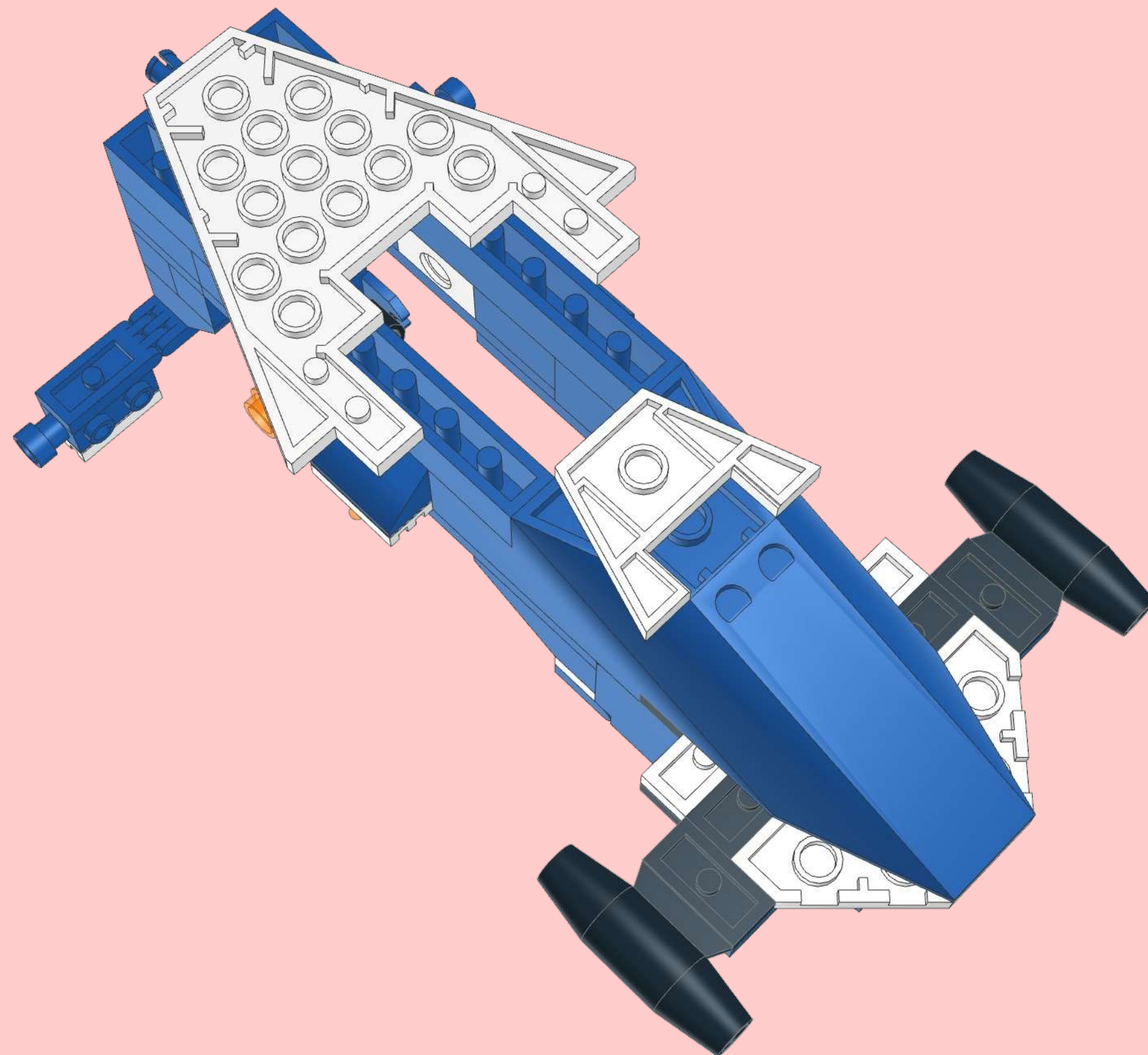
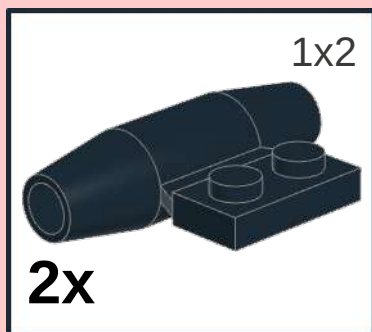
14



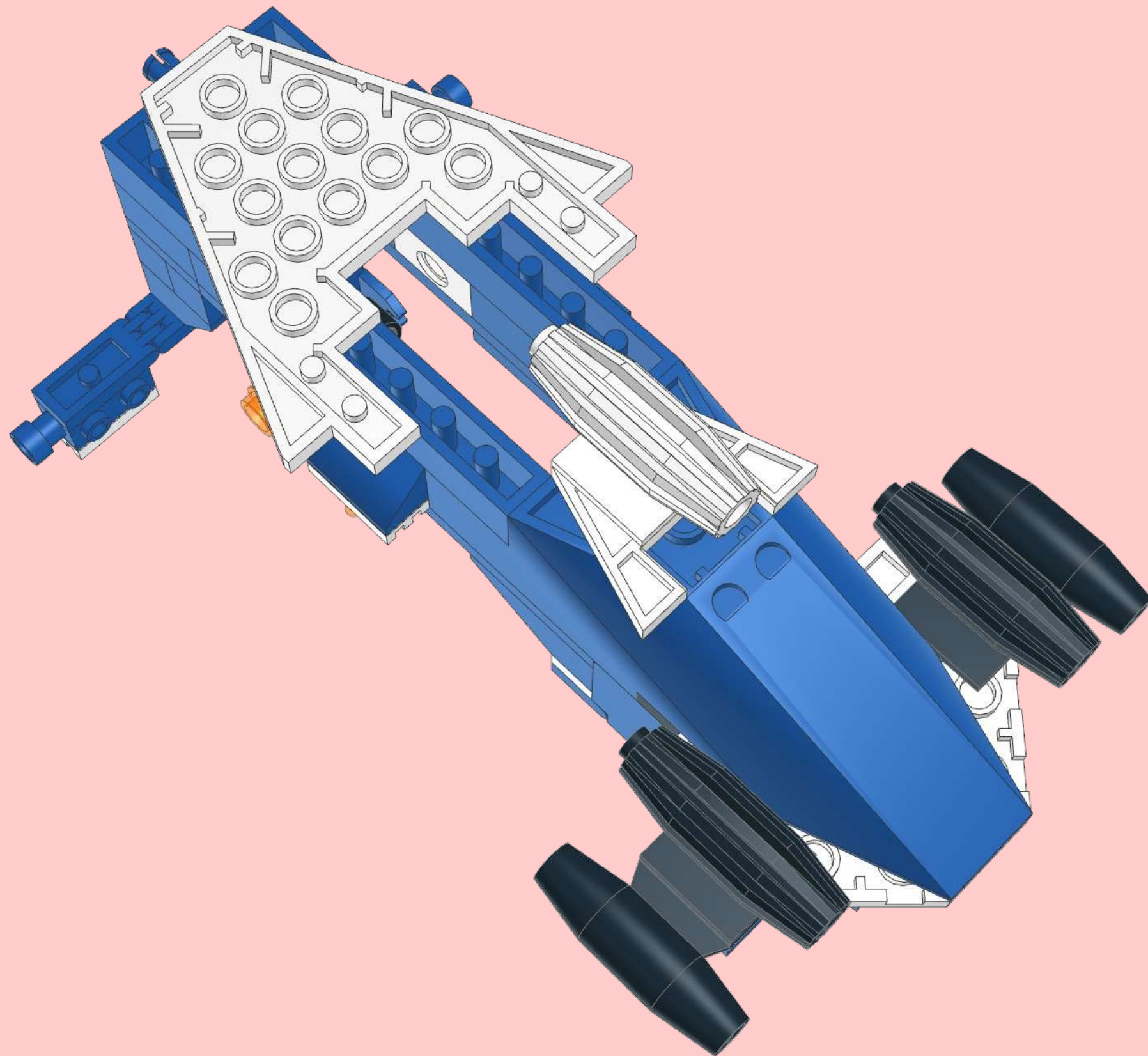
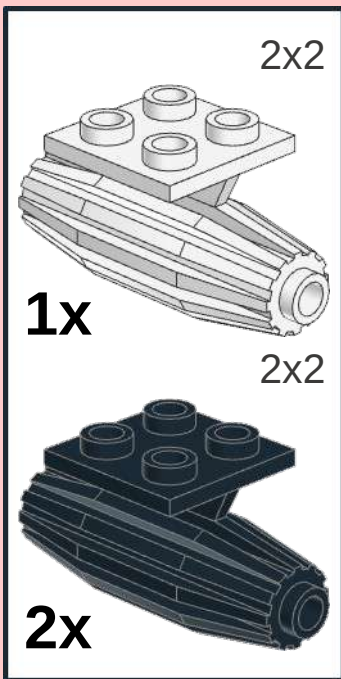
15



16



17



2

