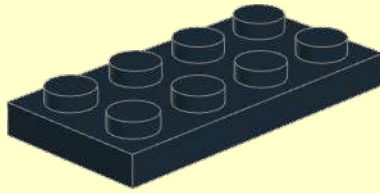
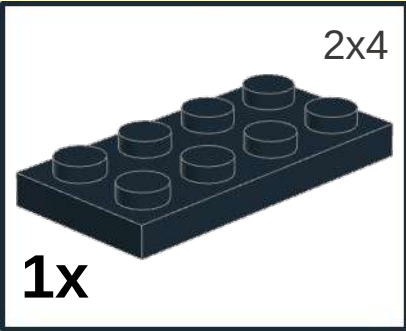
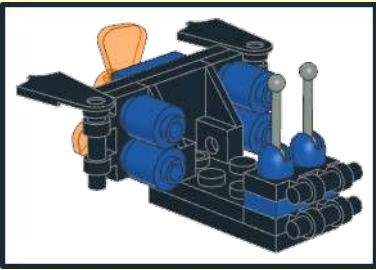
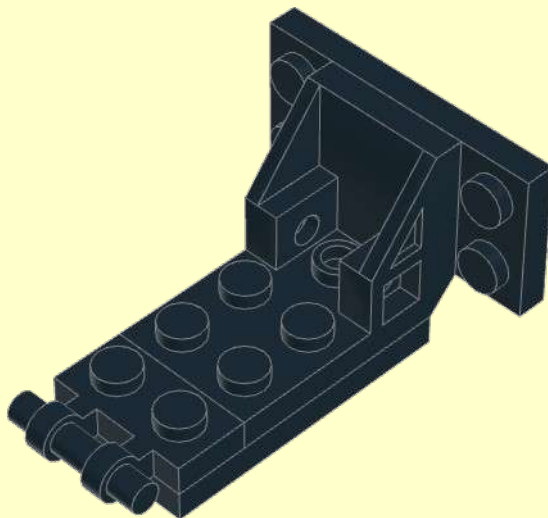
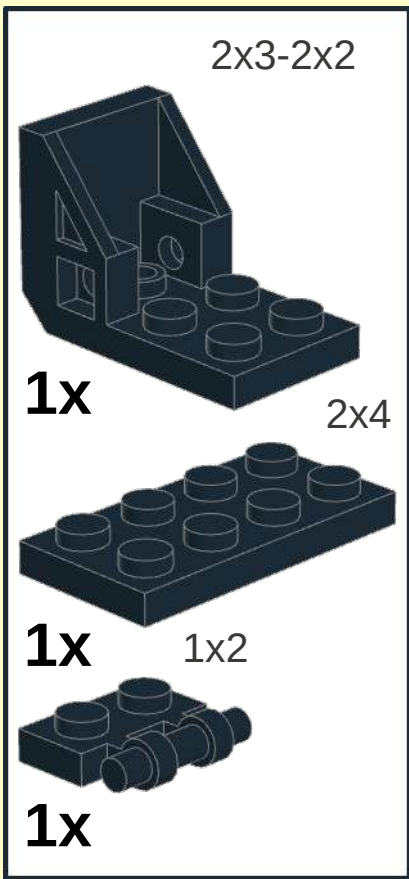




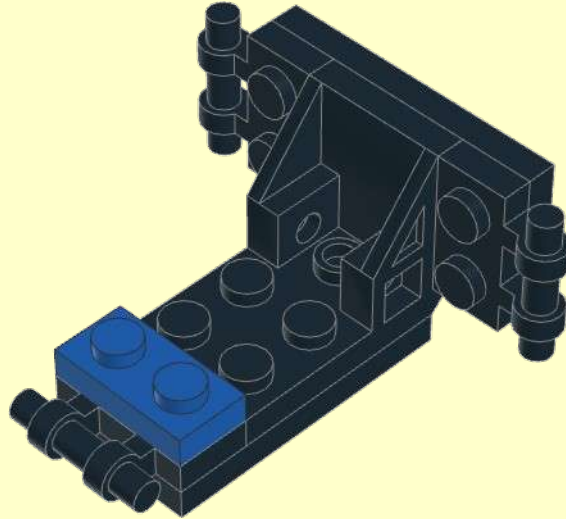
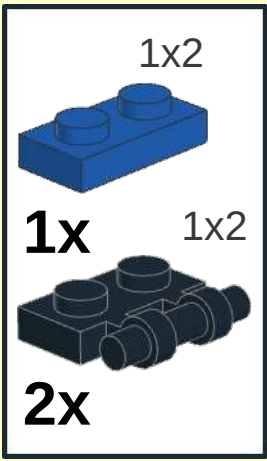
1



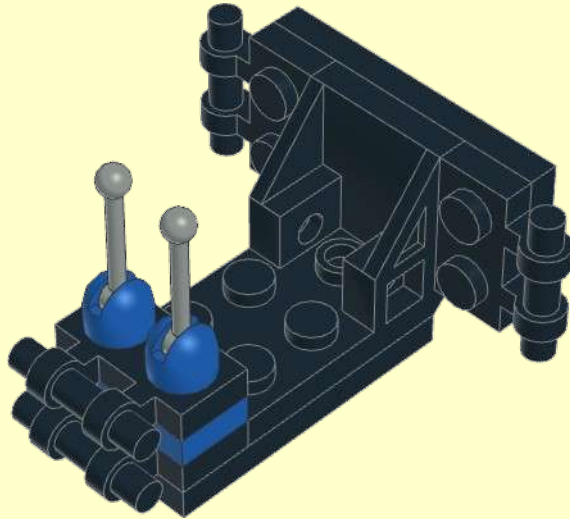
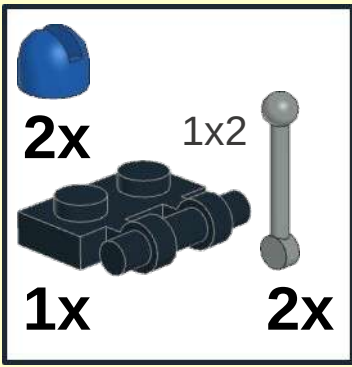
2



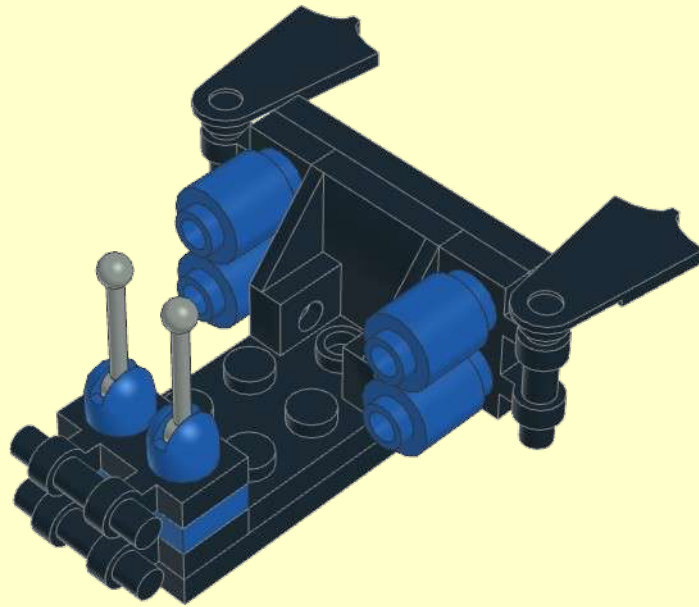
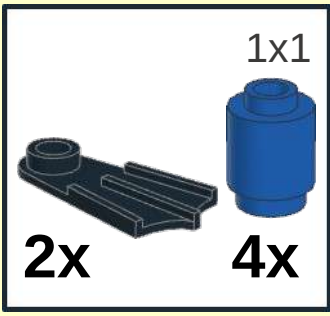
3



4



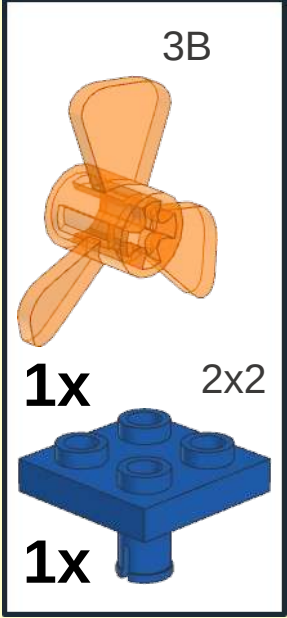
5





6

3B



1x

2x2

1x

This block contains a list of parts for step 6. At the top is the label '3B'. Below it is a transparent orange propeller with three blades. Underneath the propeller is the quantity '1x'. To the right of the propeller is the label '2x2'. Below that is a blue 2x2 Technic brick with a single stud protruding from the bottom center. To the left of this brick is the quantity '1x'.

