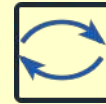
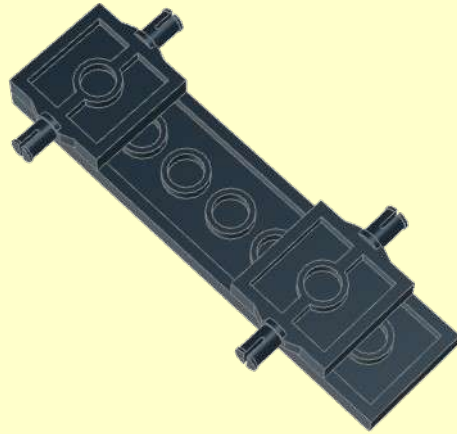
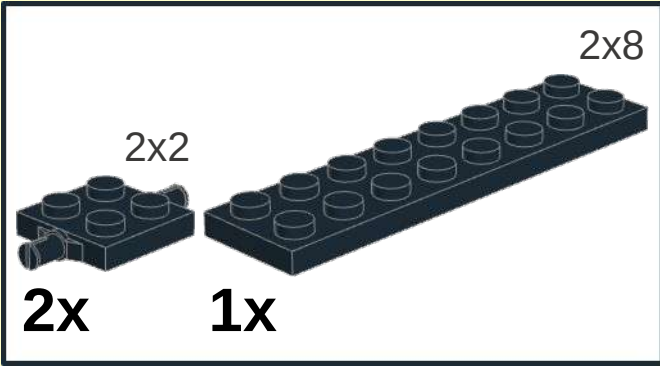


1

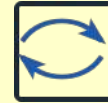
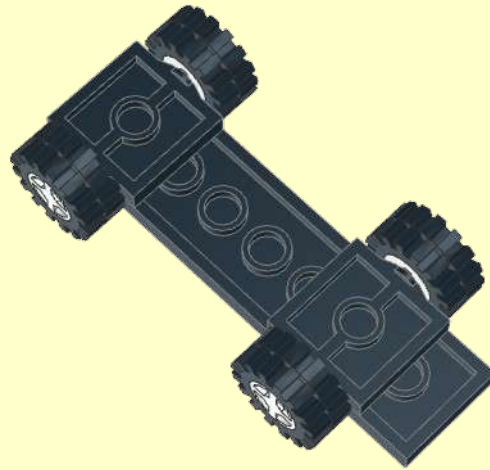


2

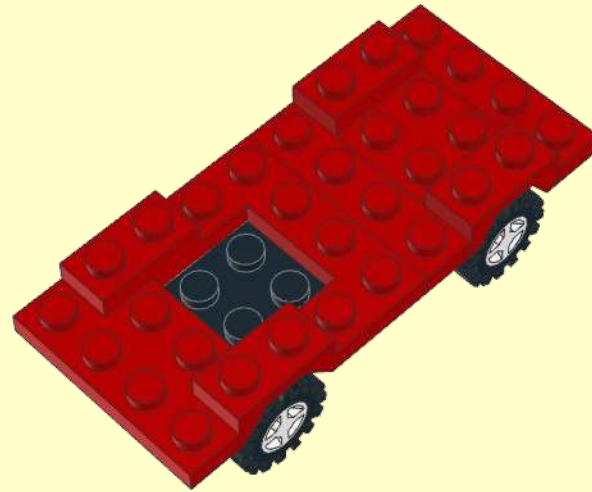
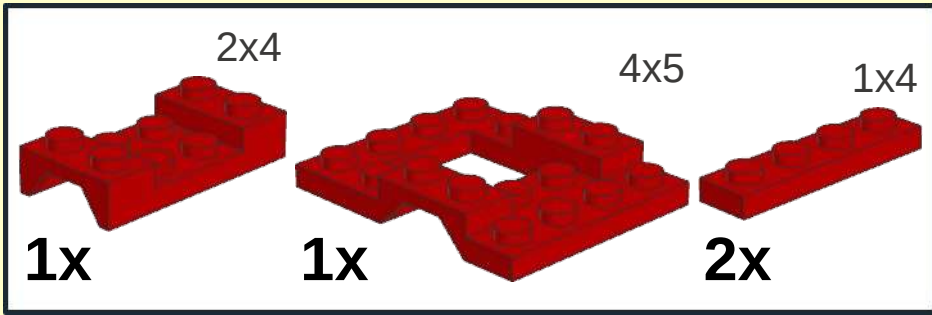
6.4x8



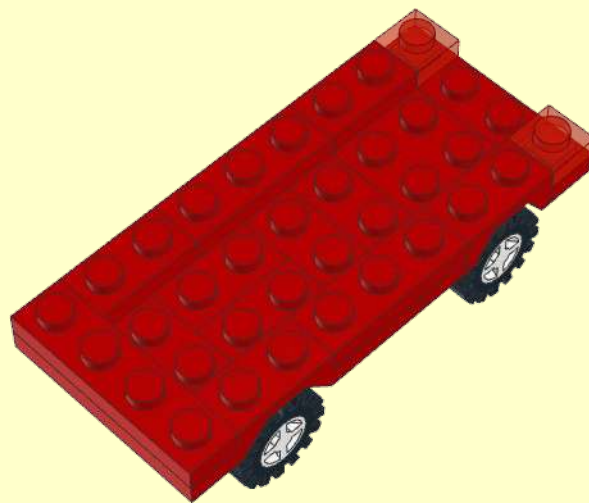
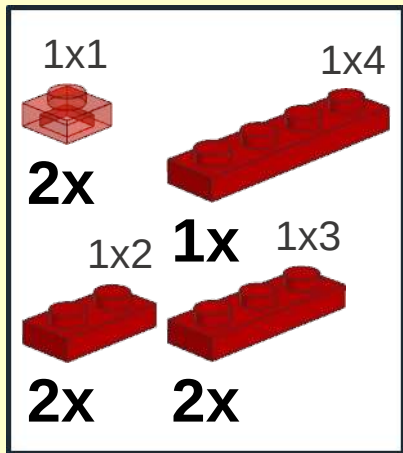
4x



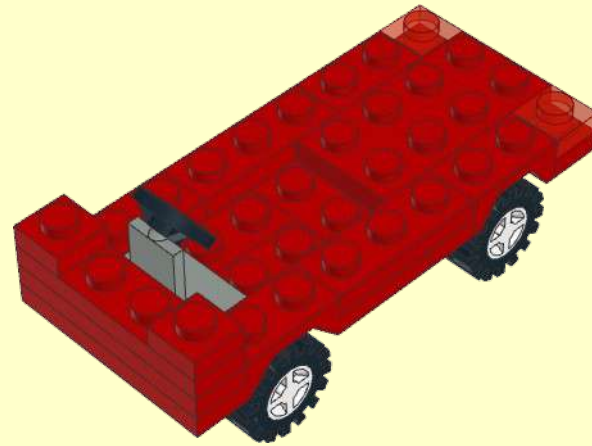
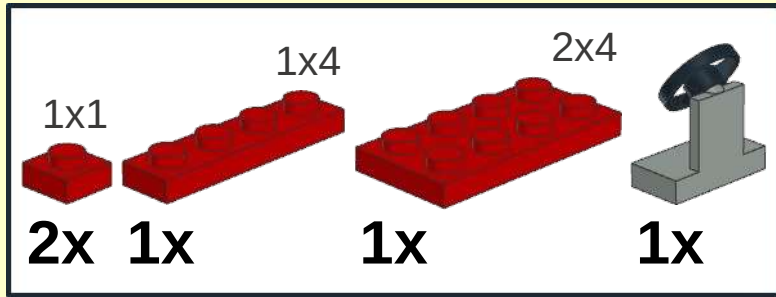
3



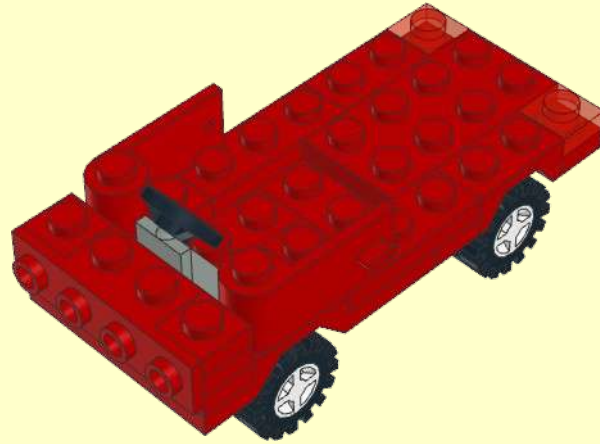
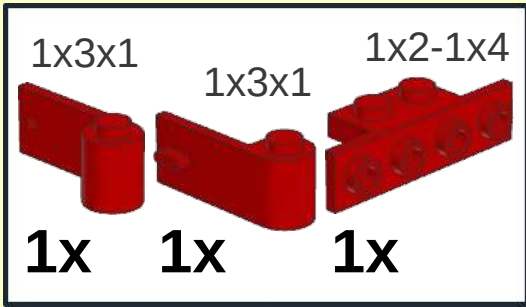
4



5






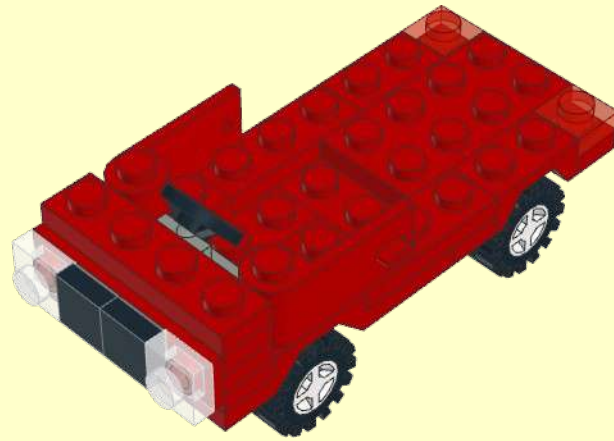
6



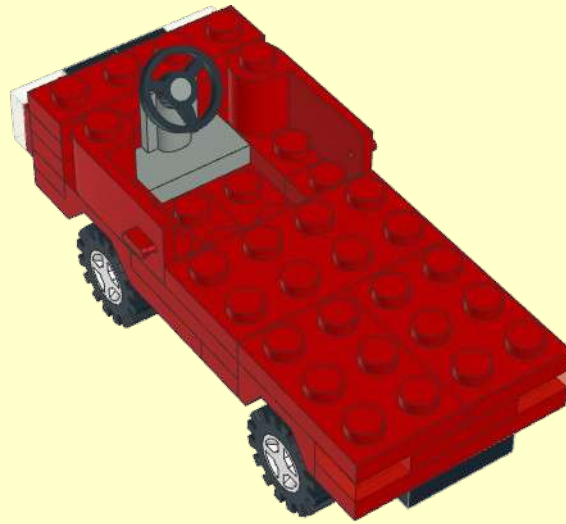
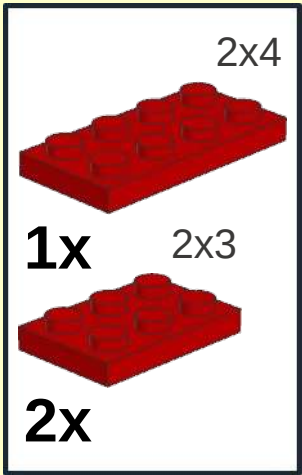


7

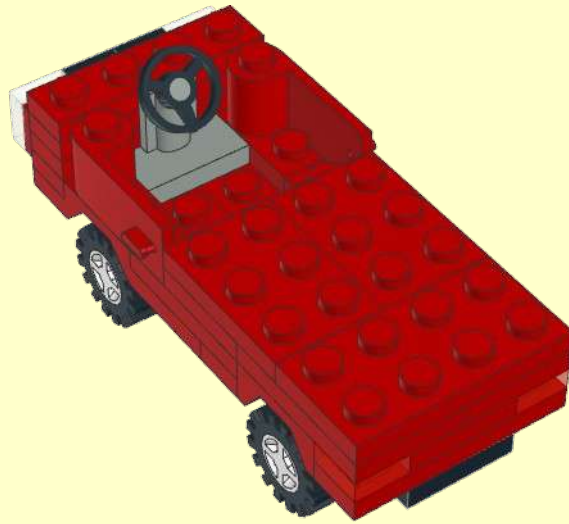
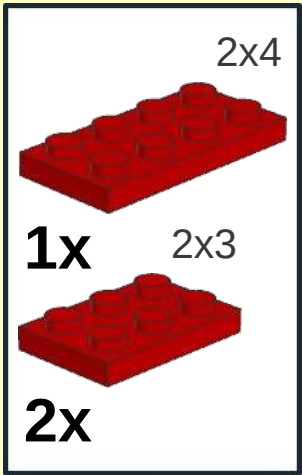
		
1x1	1x4	1x1
<b>2x</b>	<b>1x</b>	<b>2x</b>



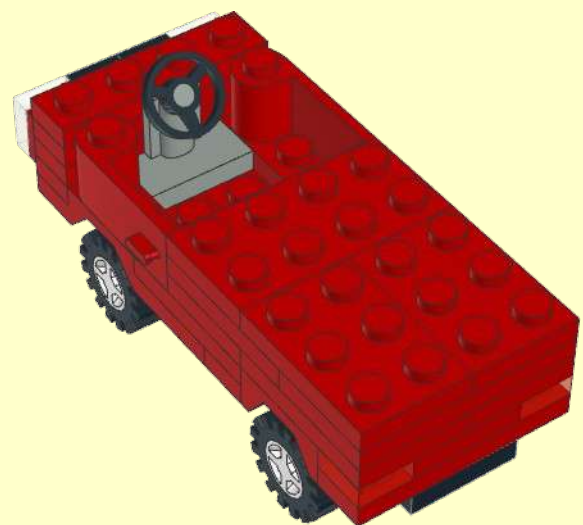
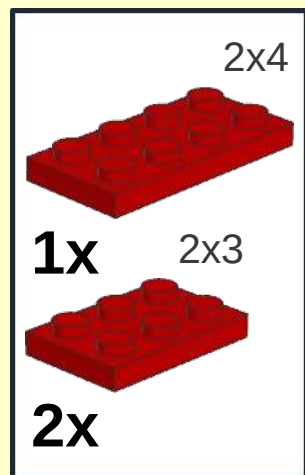
8



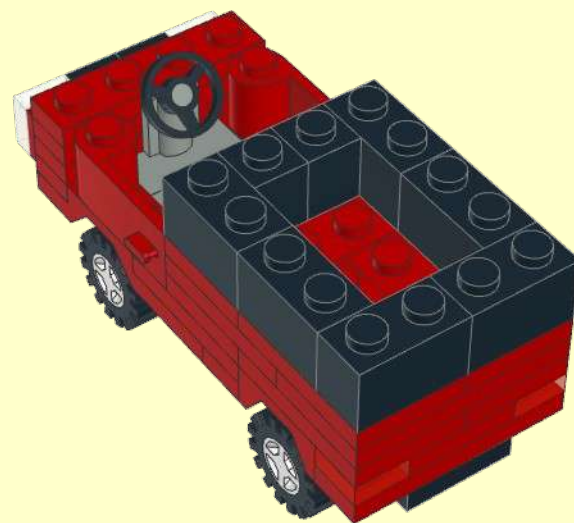
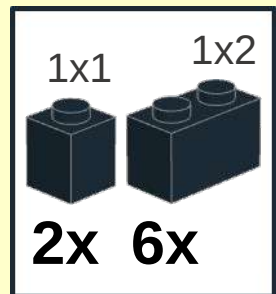
9



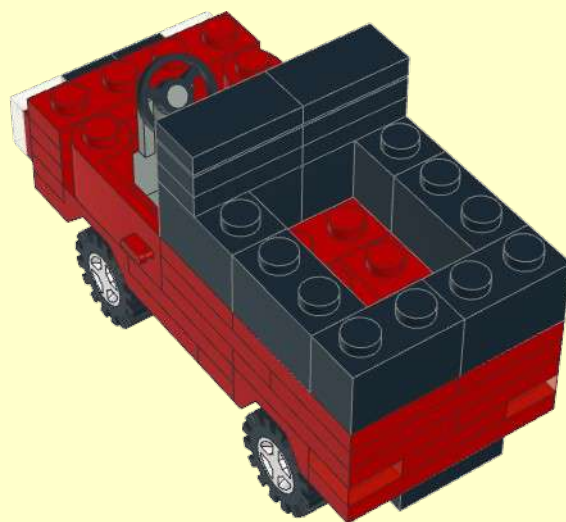
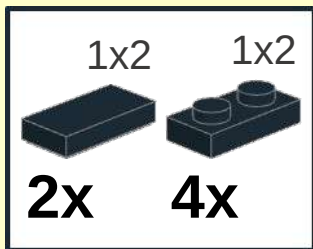
10



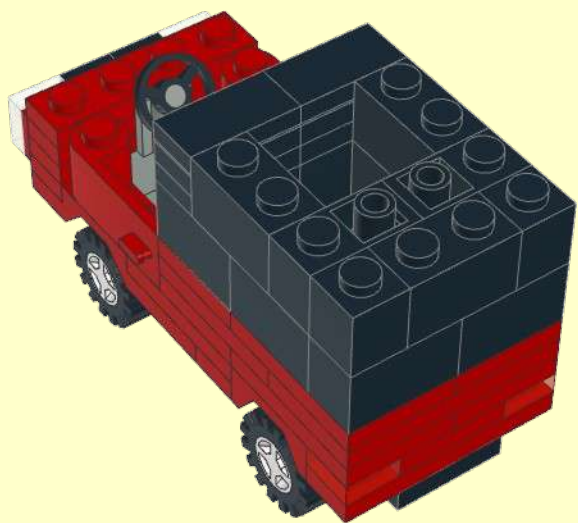
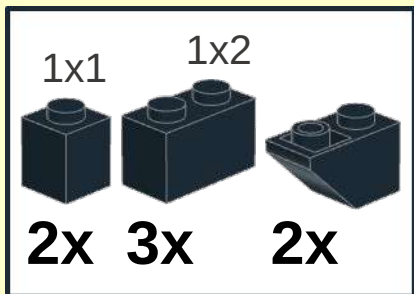
11



12




13




14

1x4



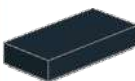
1x

1x4

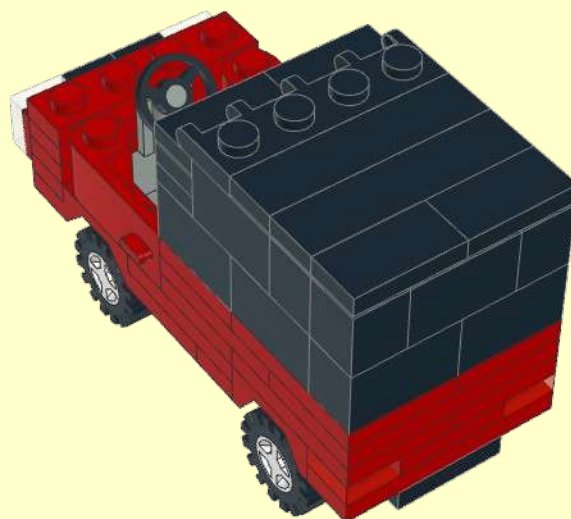


2x

1x2

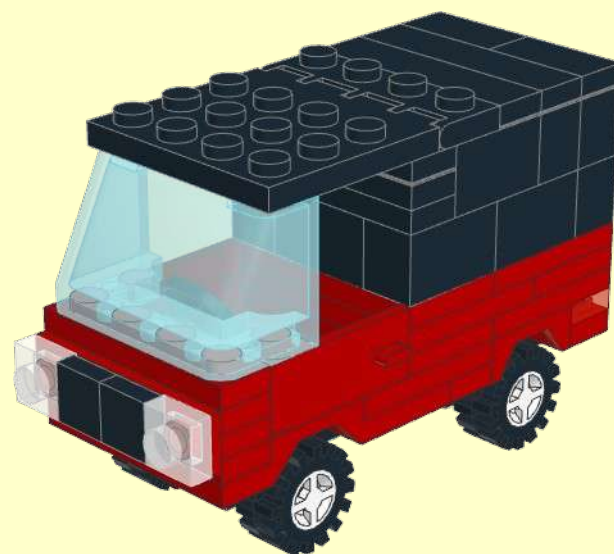


2x



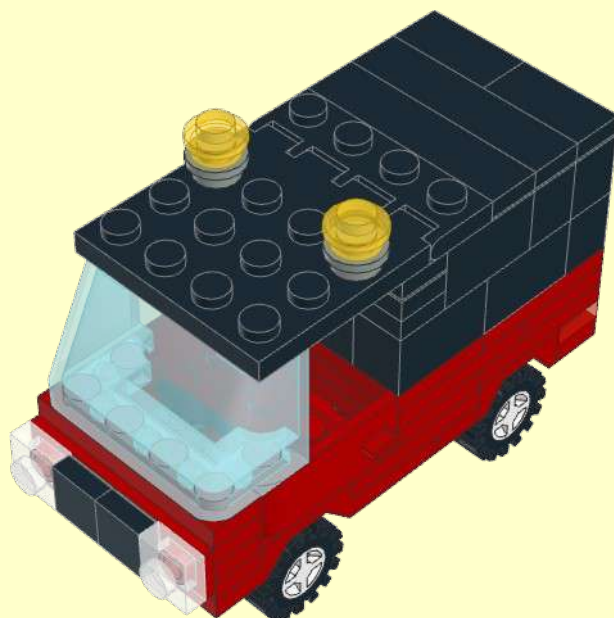


15

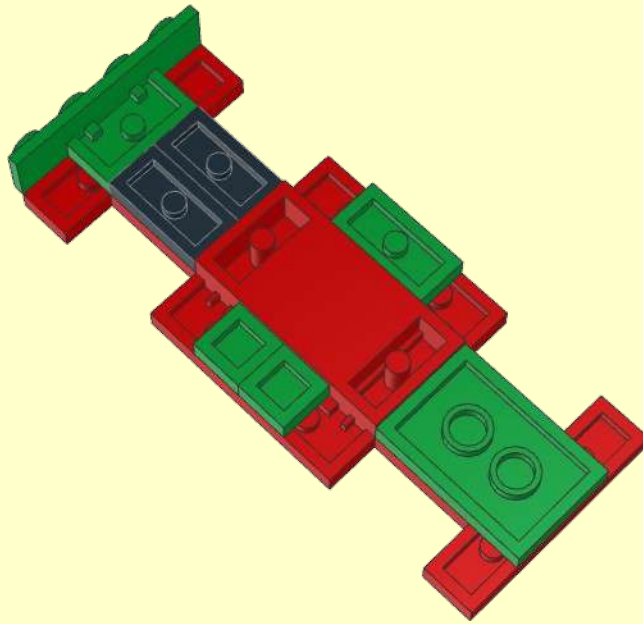
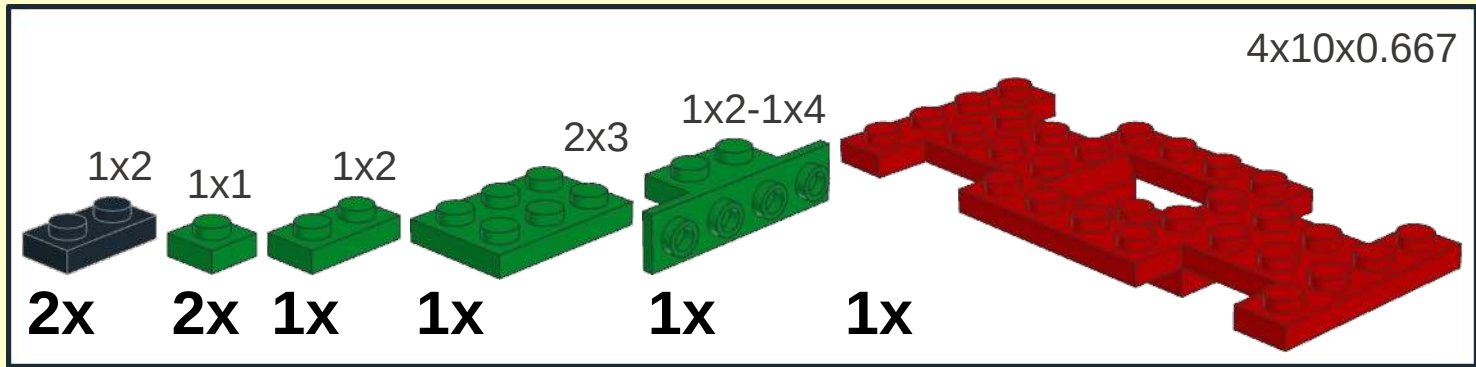
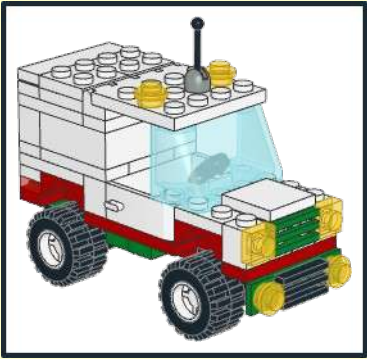


16

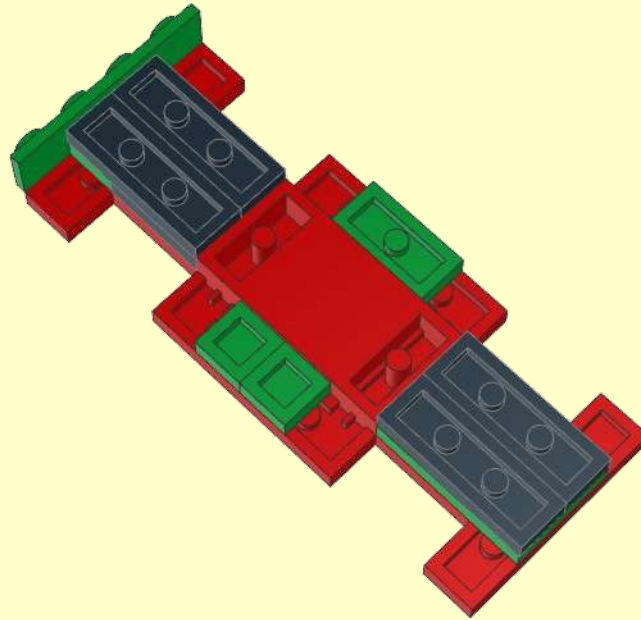
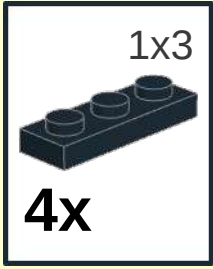
1x1	1x1
	
2x	2x



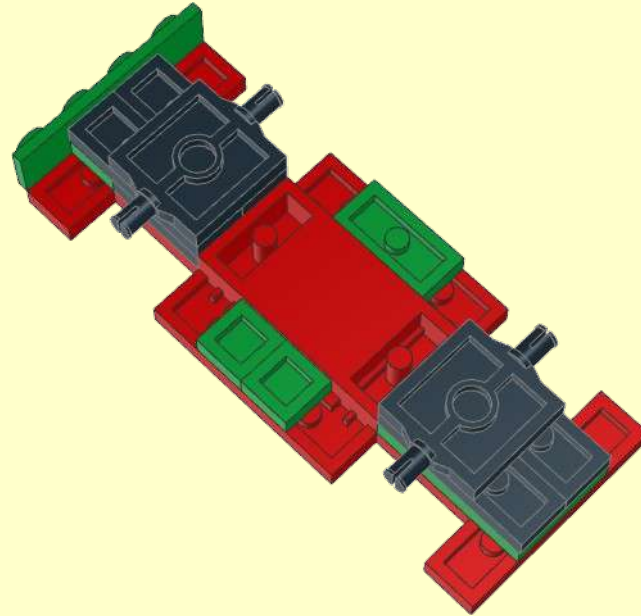
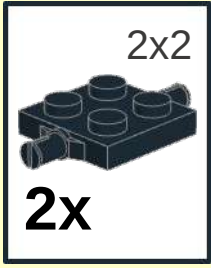
1



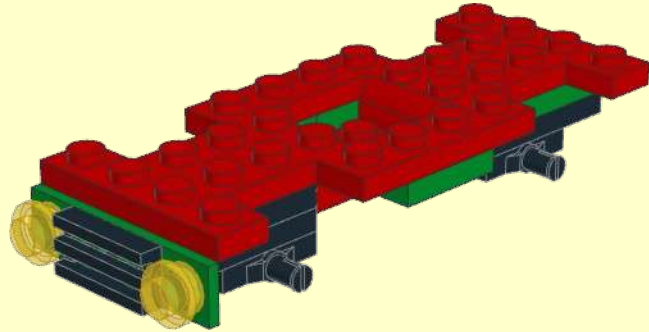
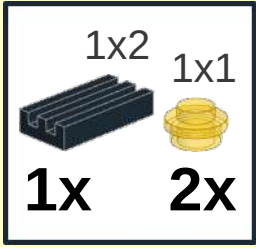
2



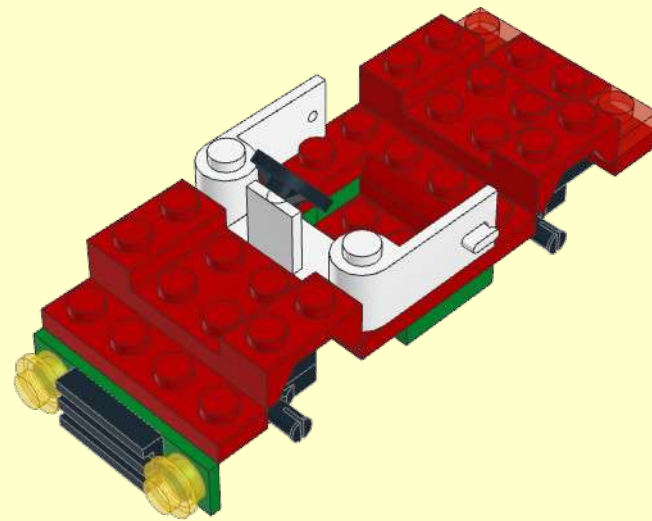
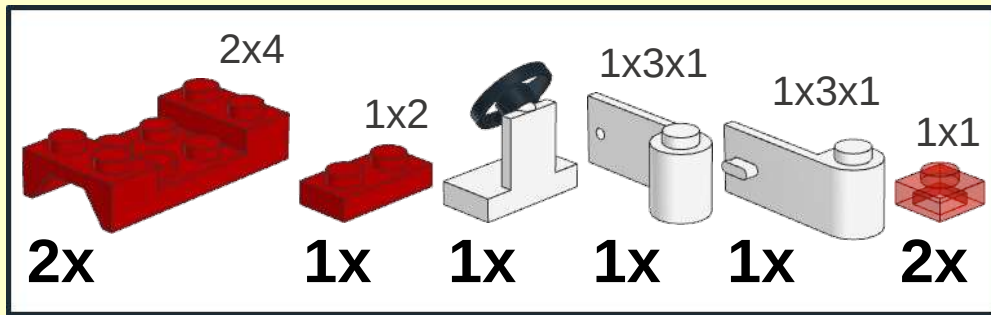
3



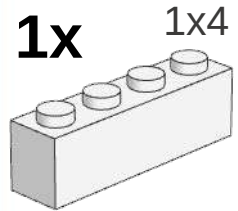
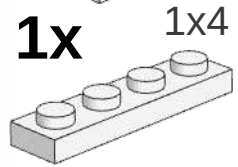
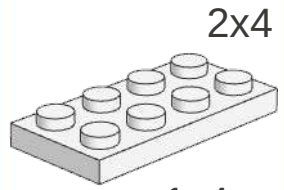
4



5



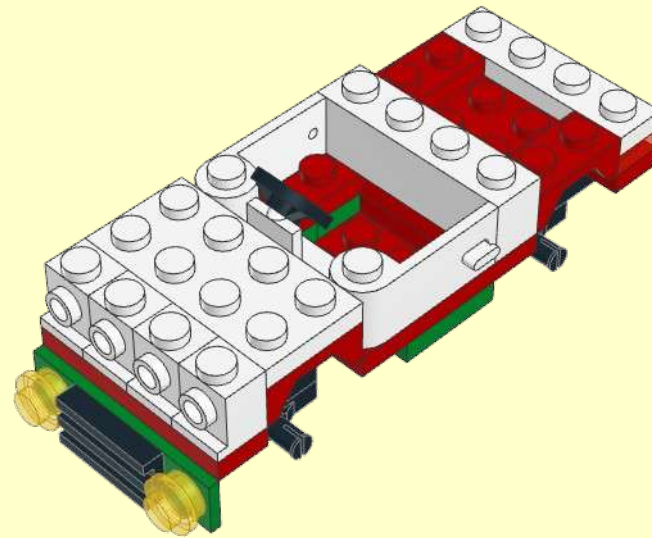
6



1x

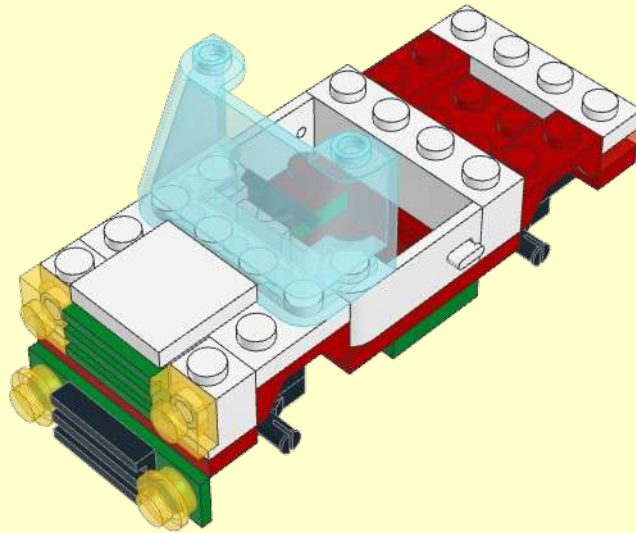
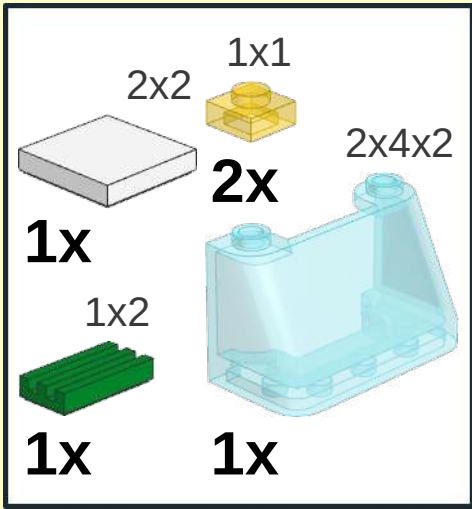


4x

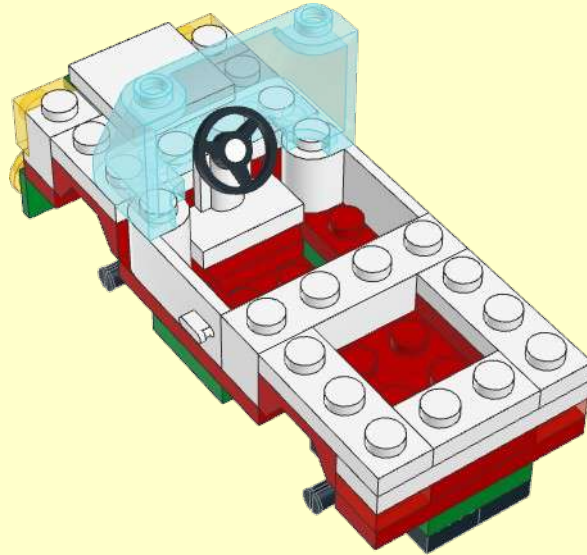
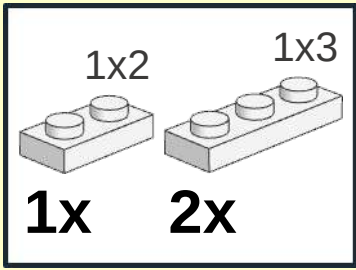




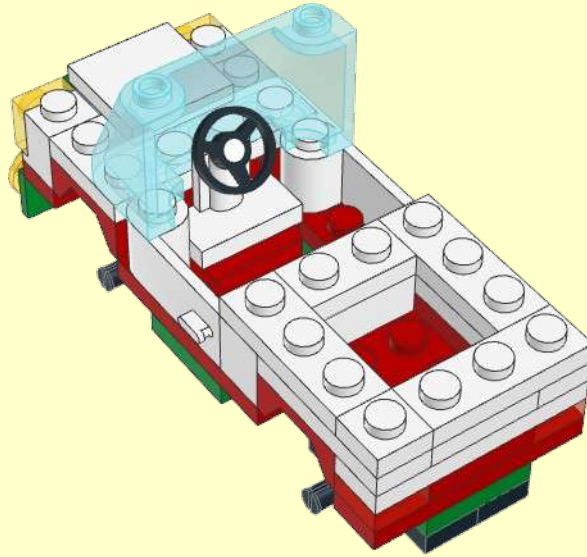
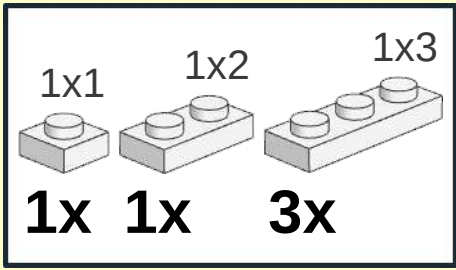
7



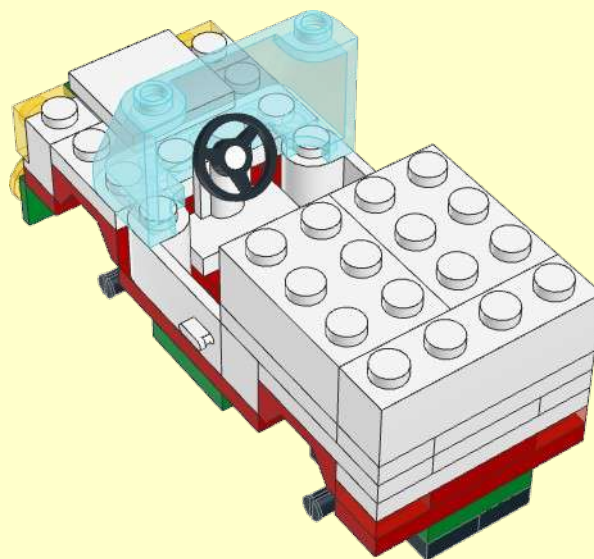
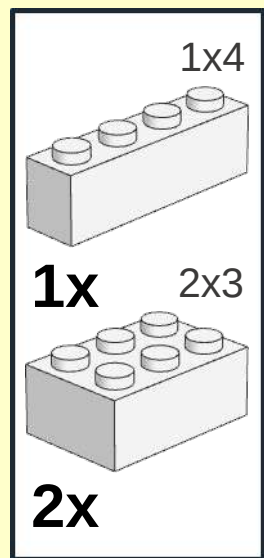
8



9

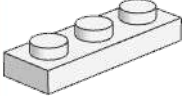


10

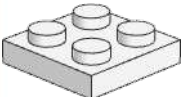


# 11

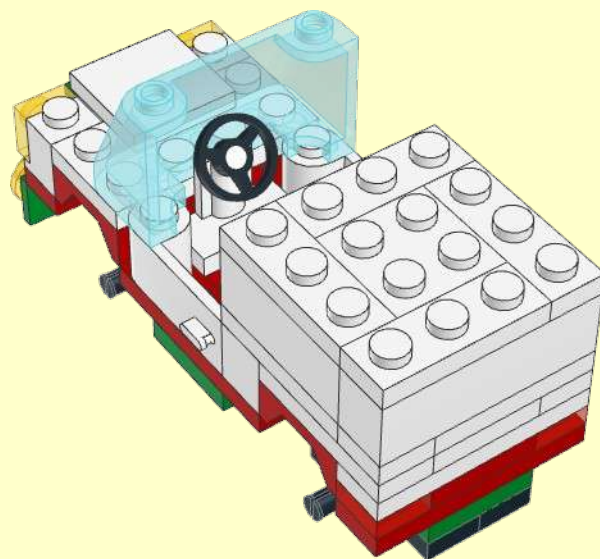
1x3



4x 2x2

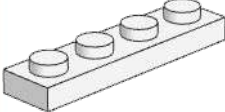


1x



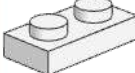
# 12

1x4

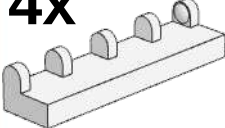


**1x**

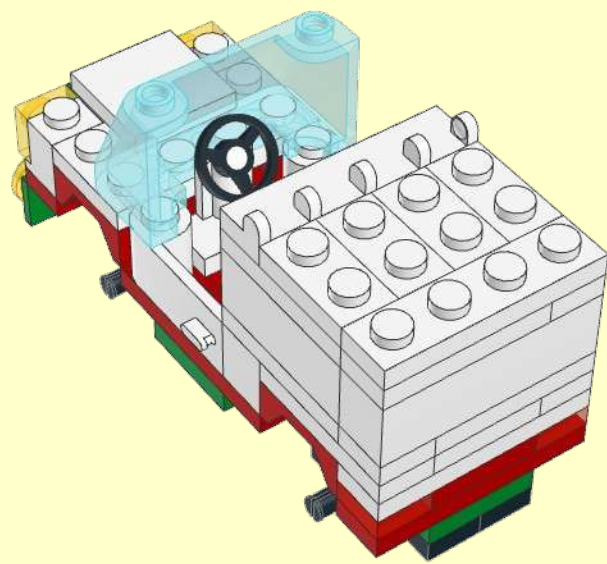
1x2



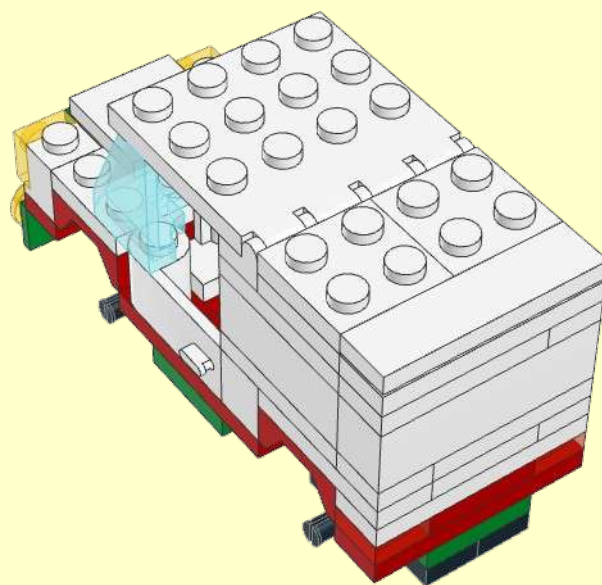
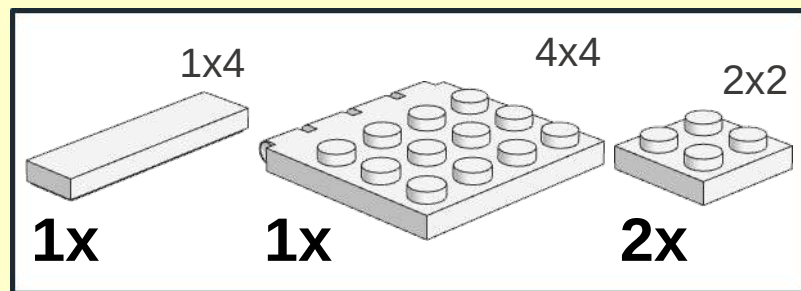
**4x** 1x4






**1x**

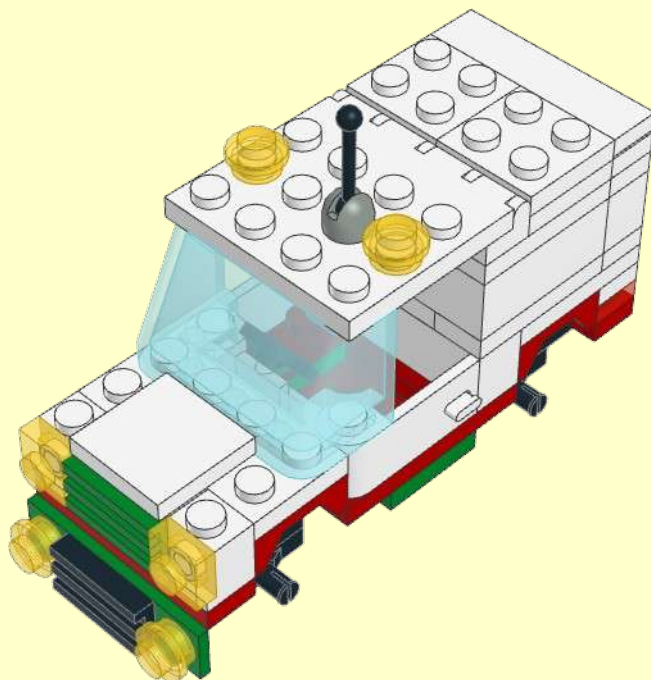


# 13





14

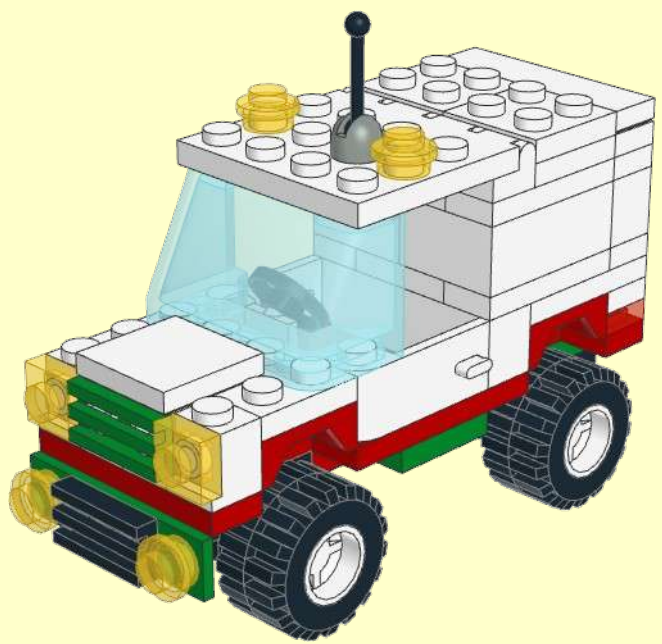
		
1x	1x	2x



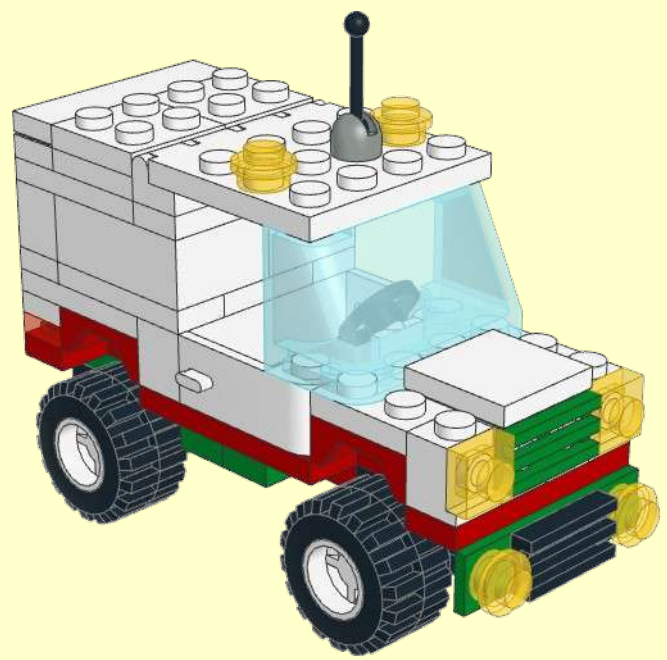
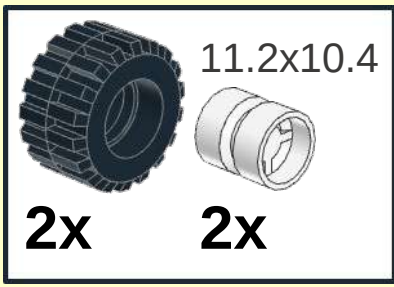


15

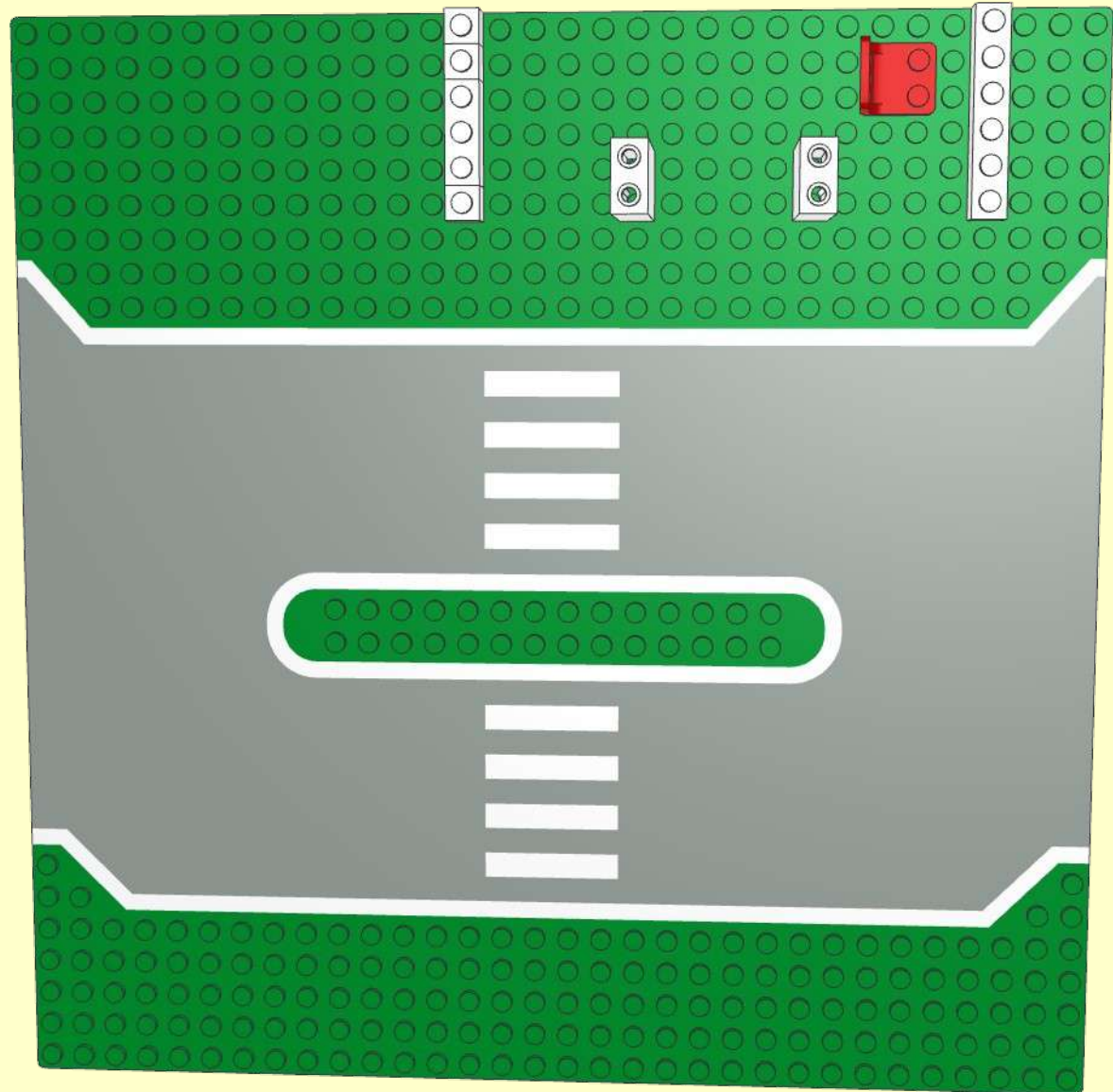
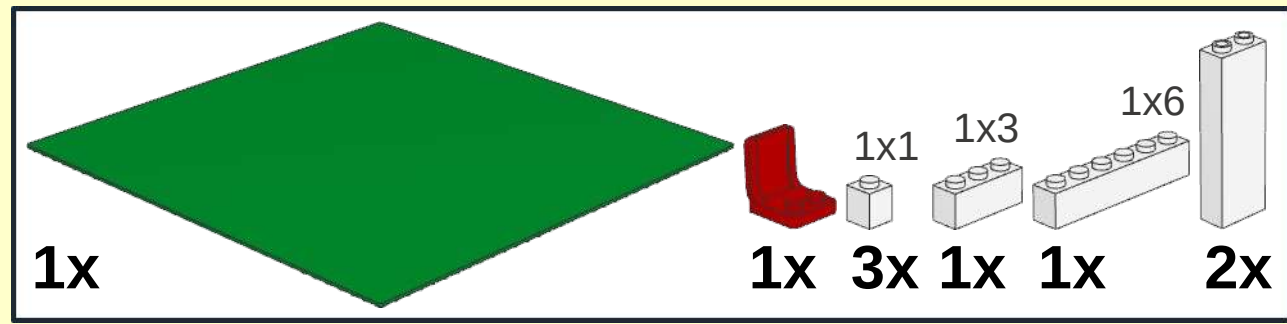
	11.2x10.4
	
2x	2x



16

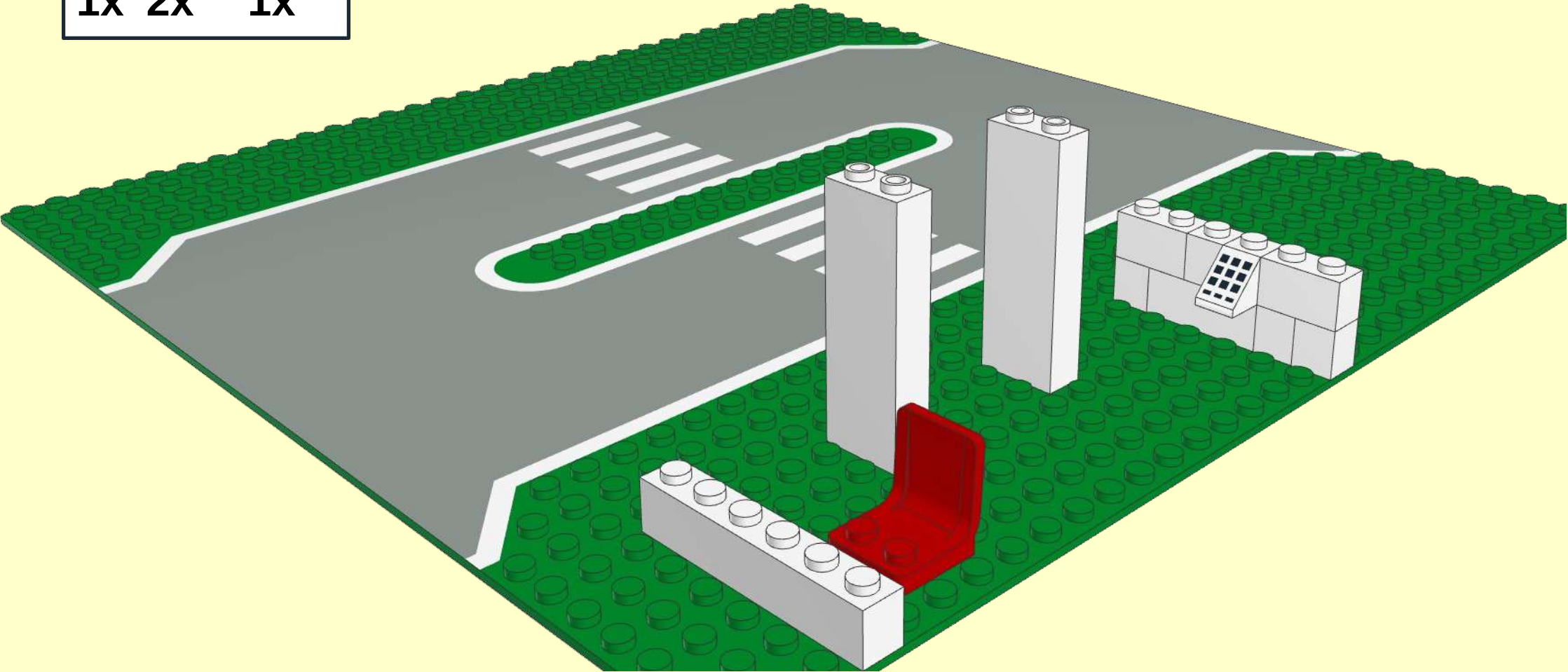


1

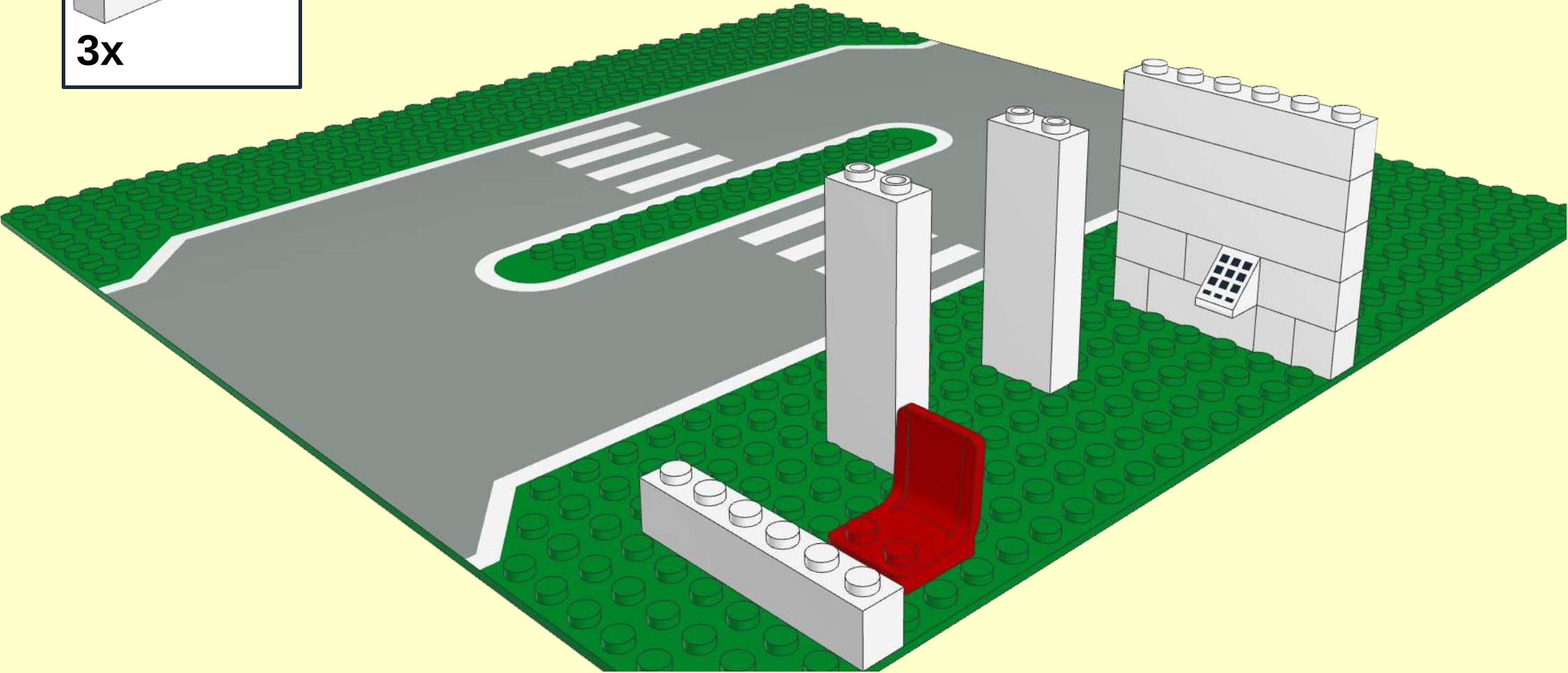
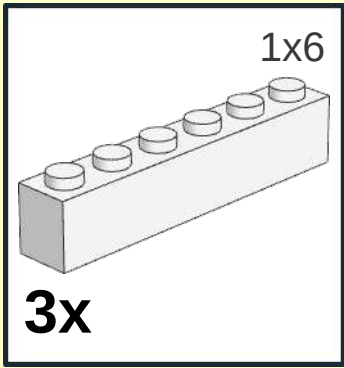


2

1x1	1x2	452x1
1x	2x	1x

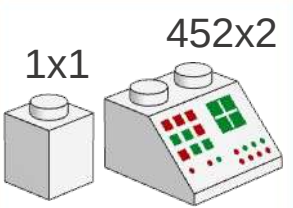


3

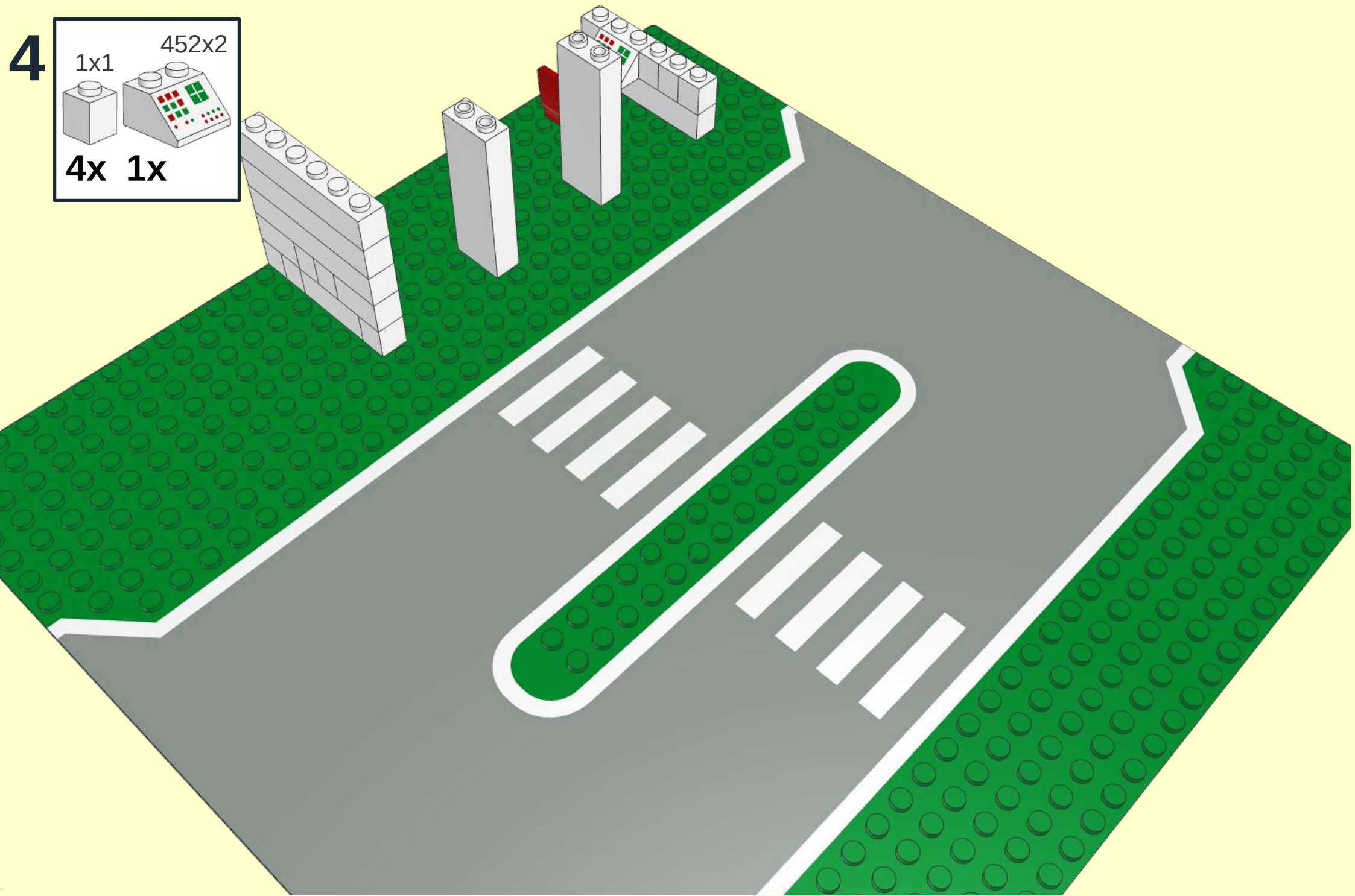


4

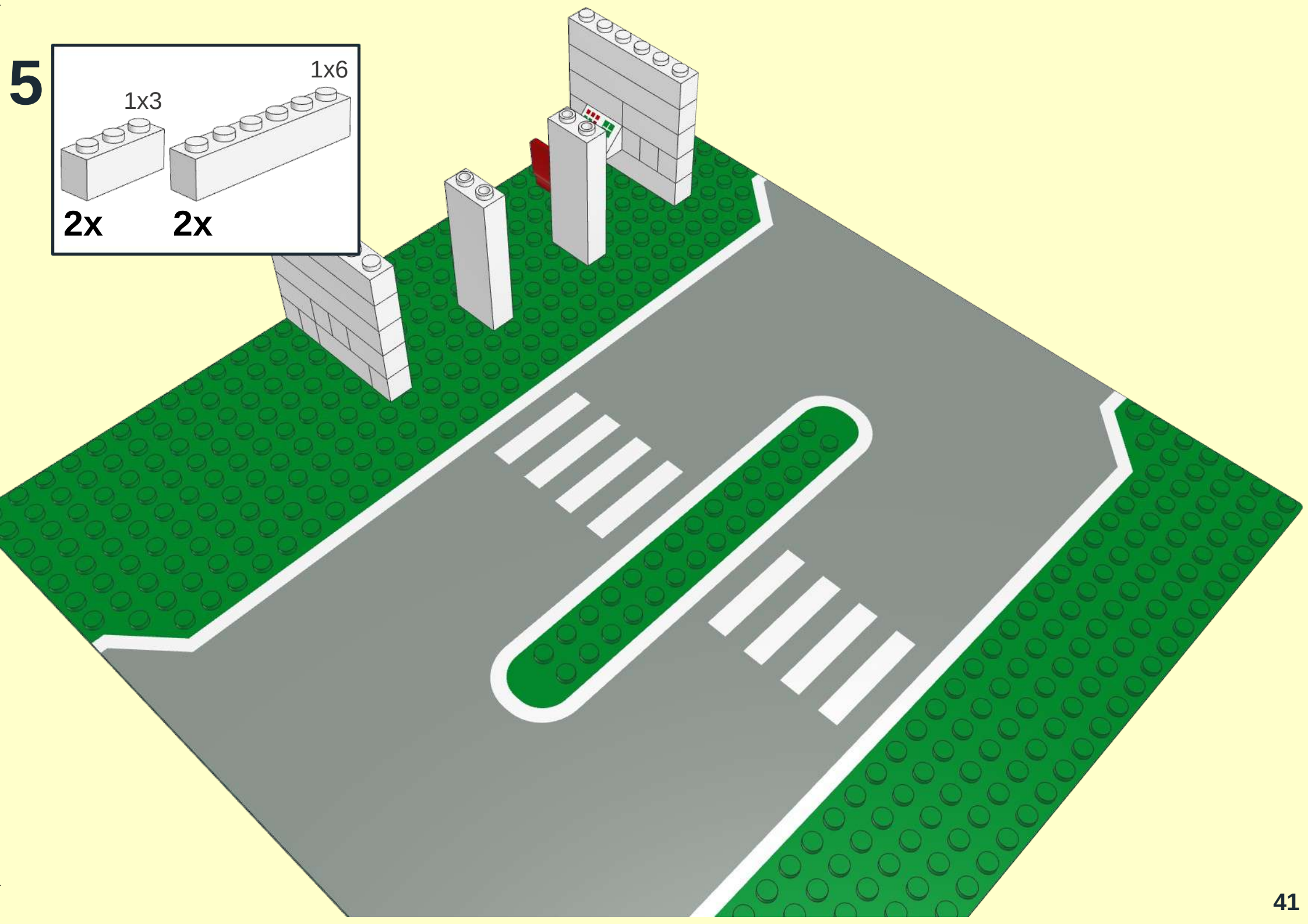
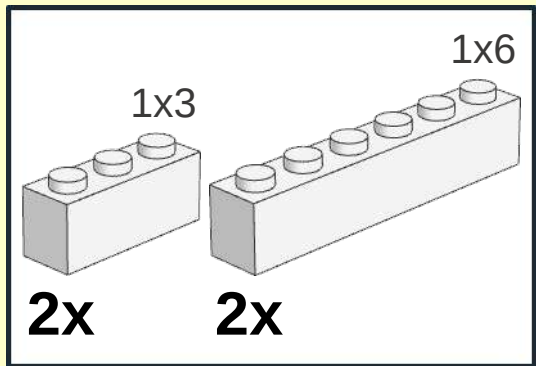
1x1      452x2



4x   1x



5

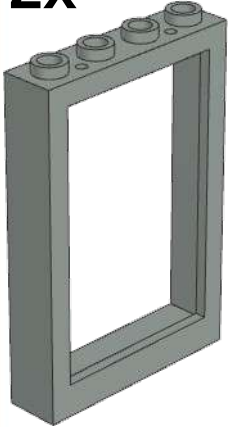


6

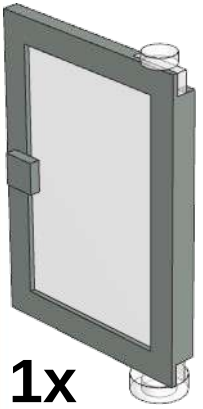
1x4x5



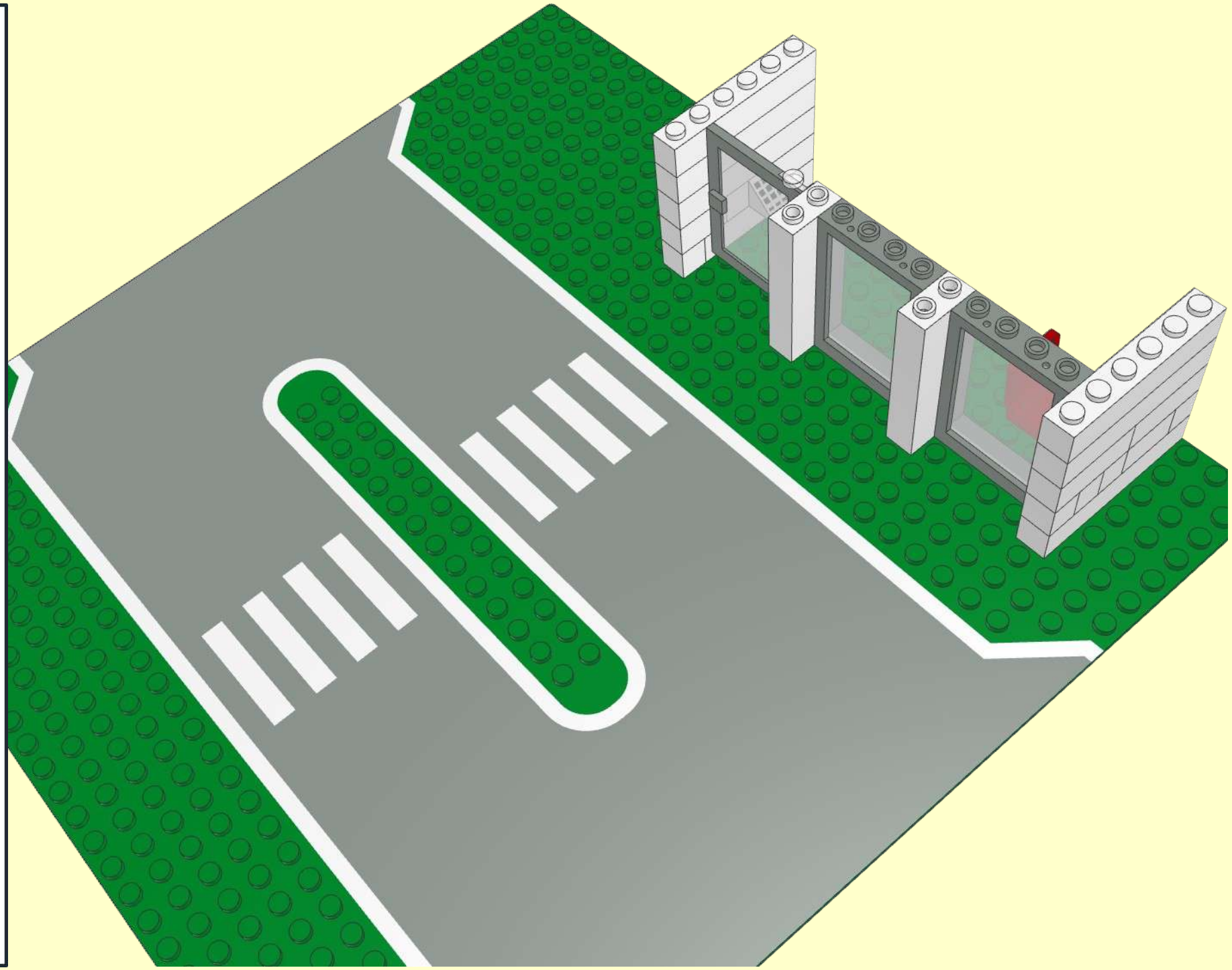
2x 1x4x5



2x



1x



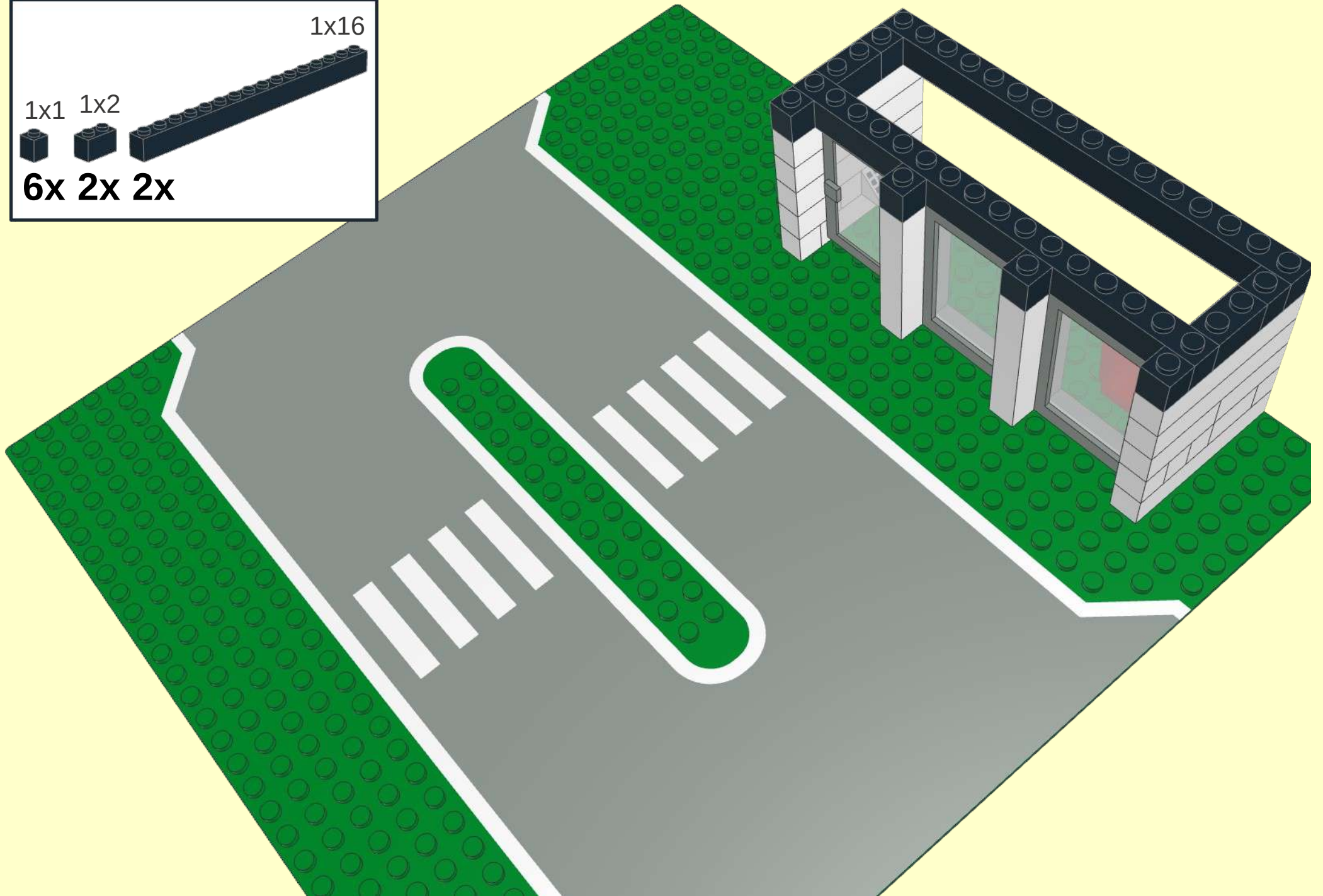
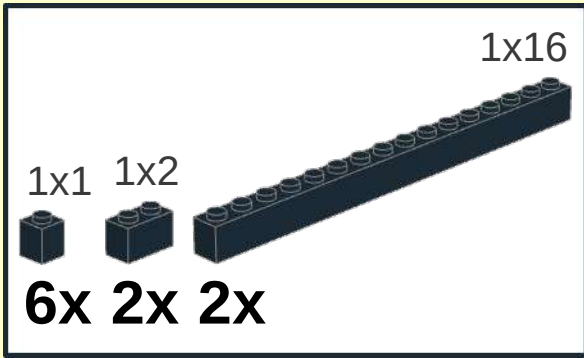


7

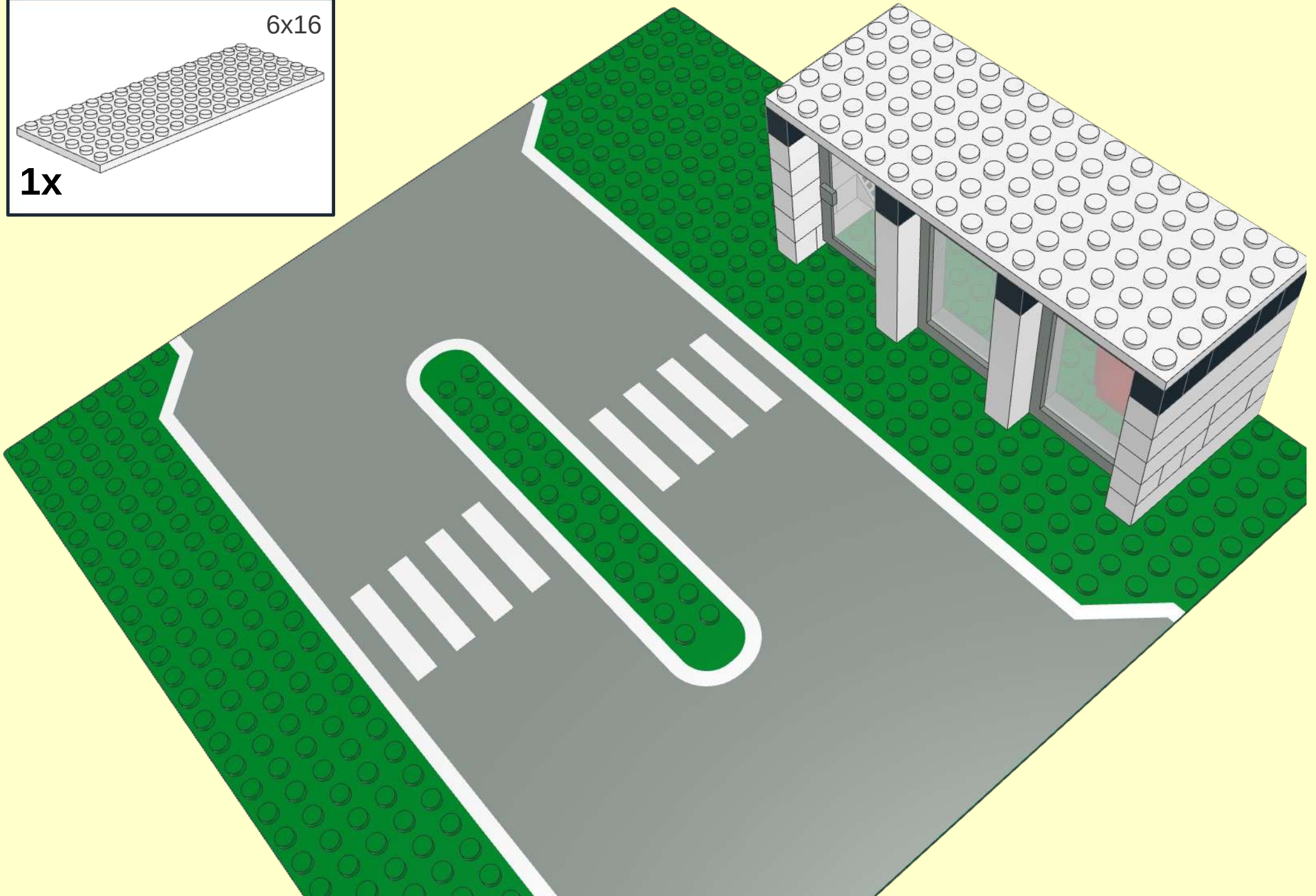
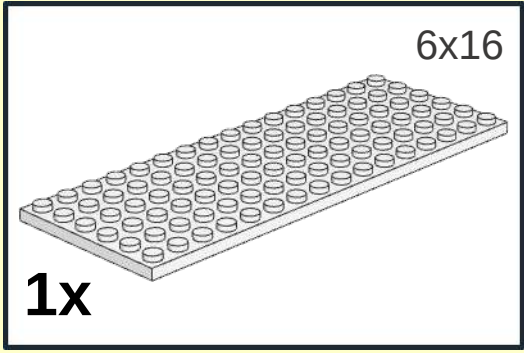
1x16

1x1 1x2

6x 2x 2x



8



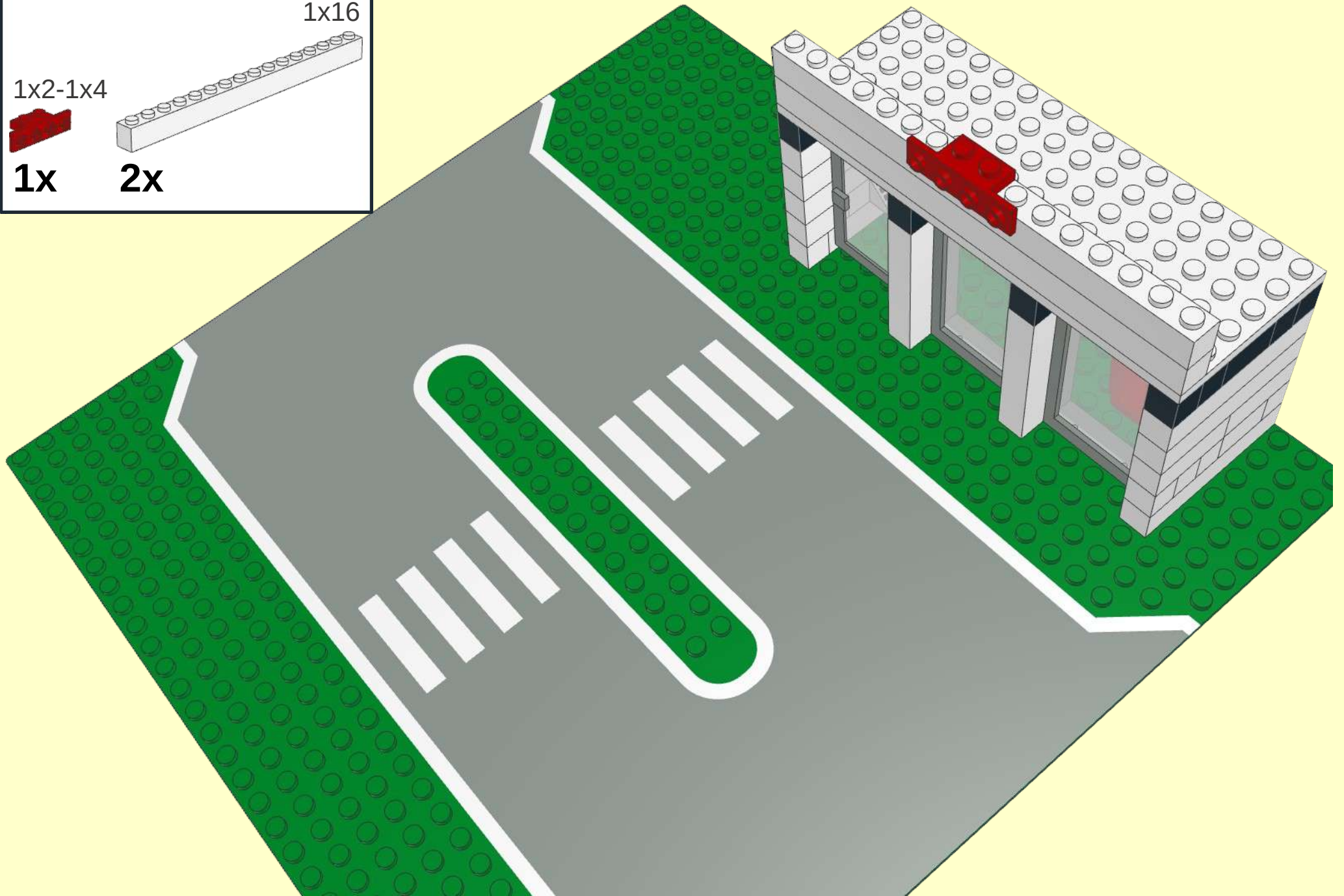
9

1x16

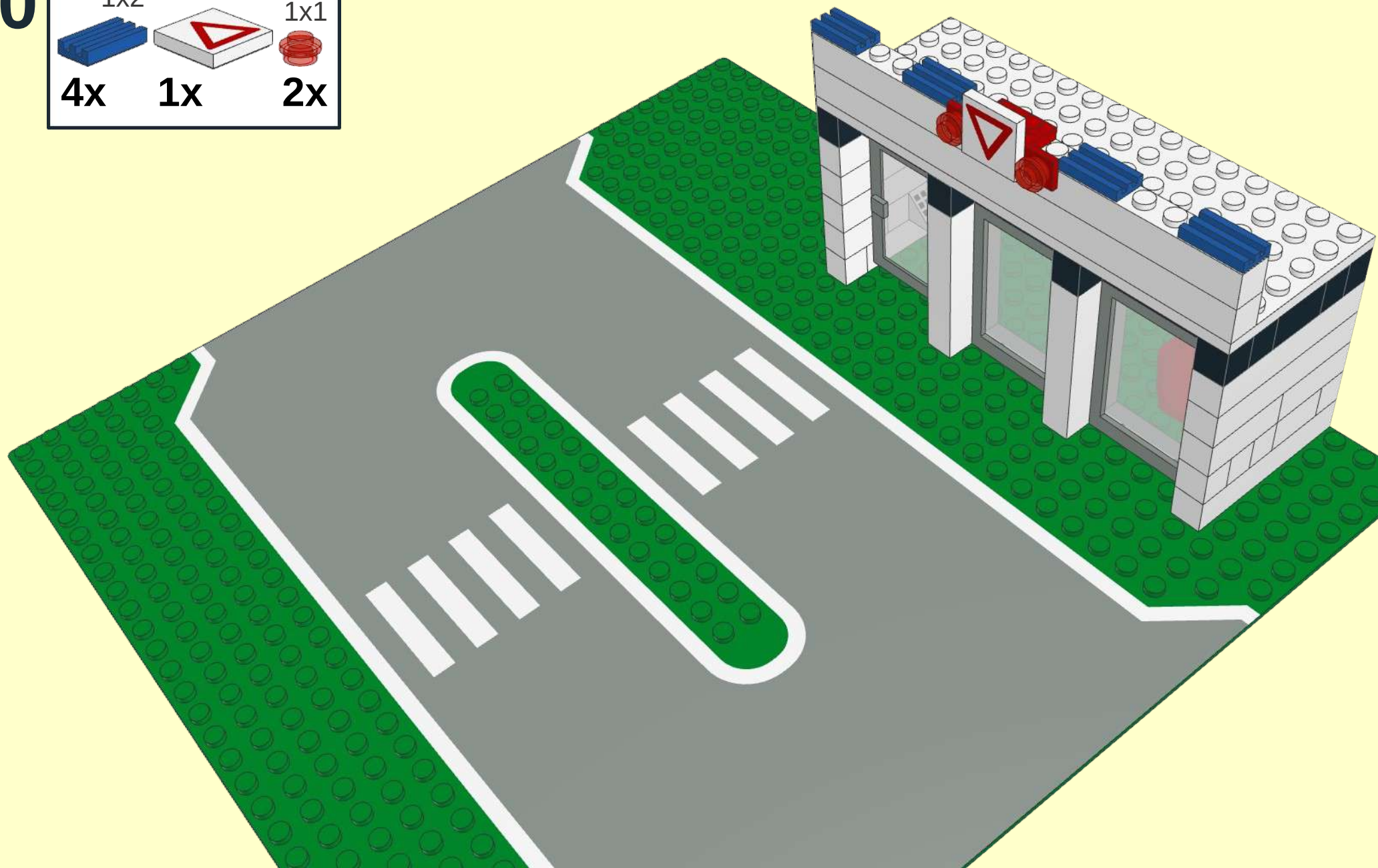
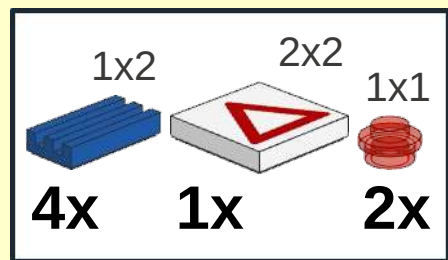
1x2-1x4

1x

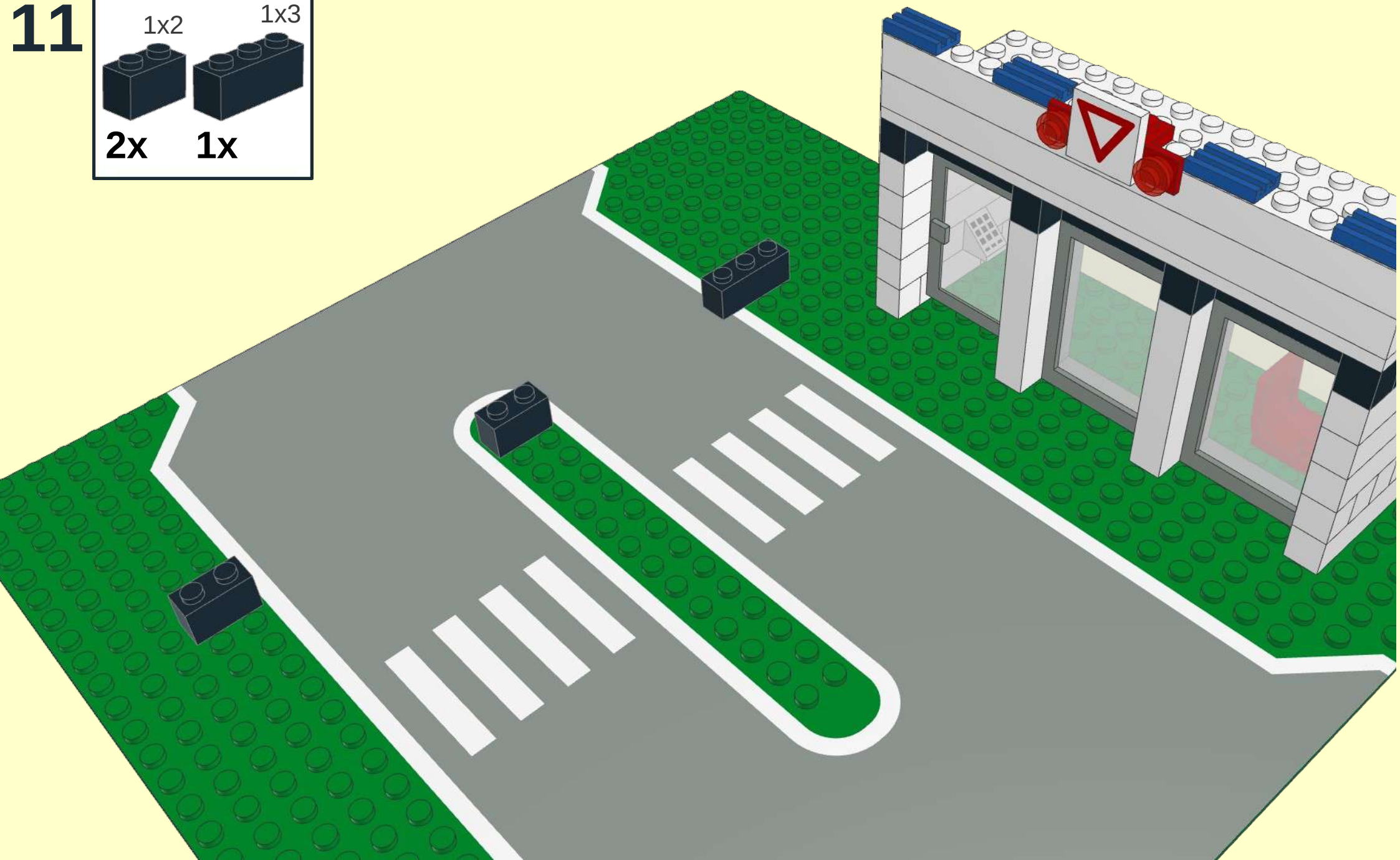
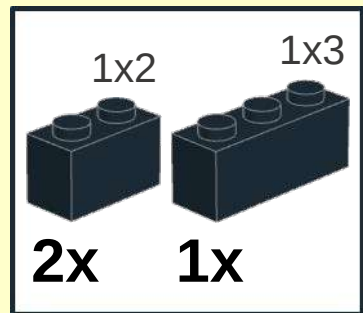
2x



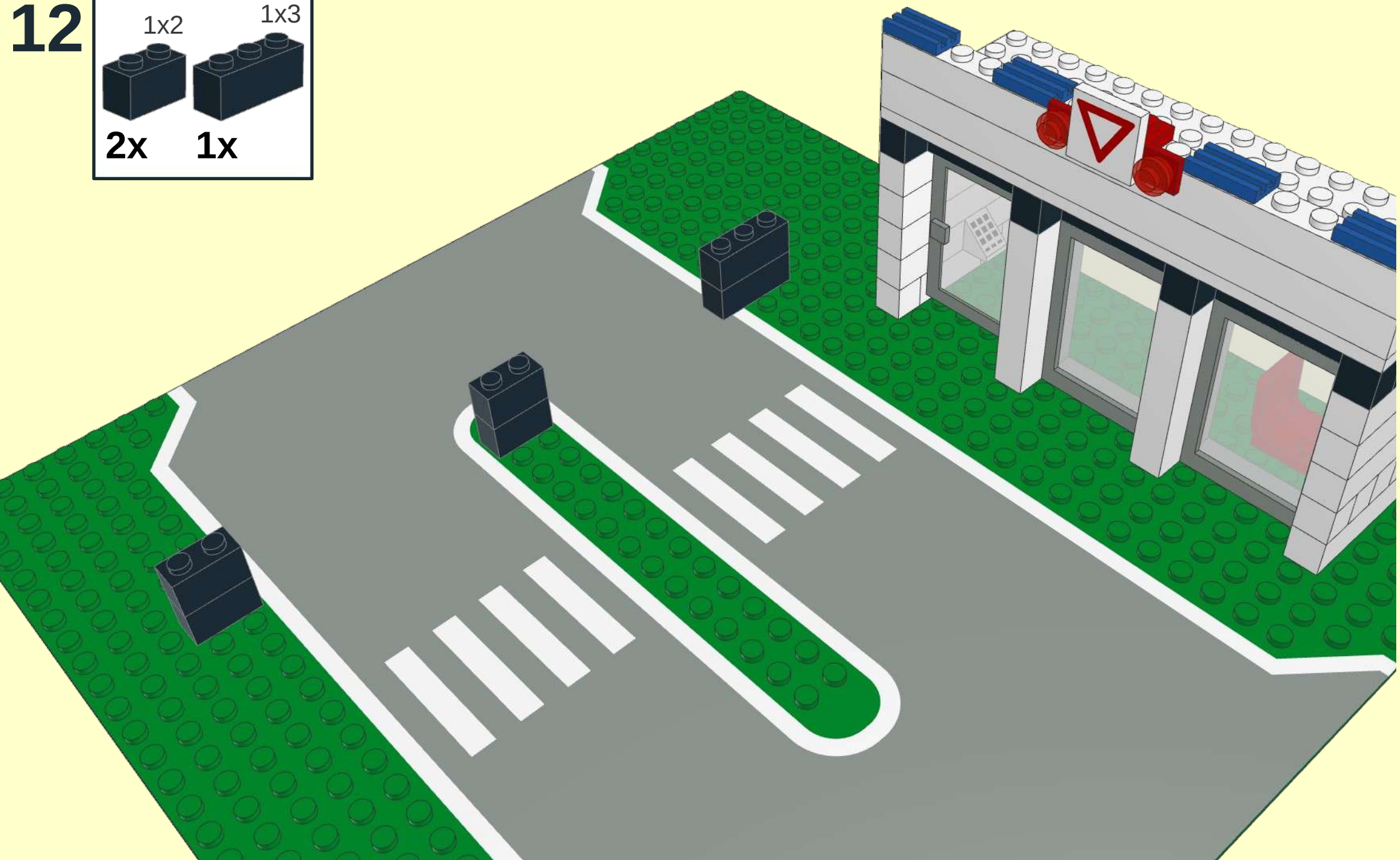
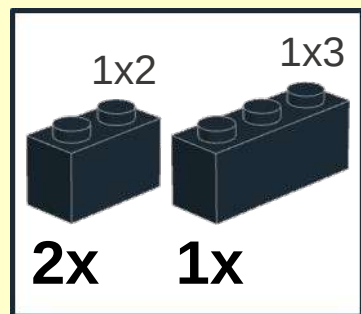
10



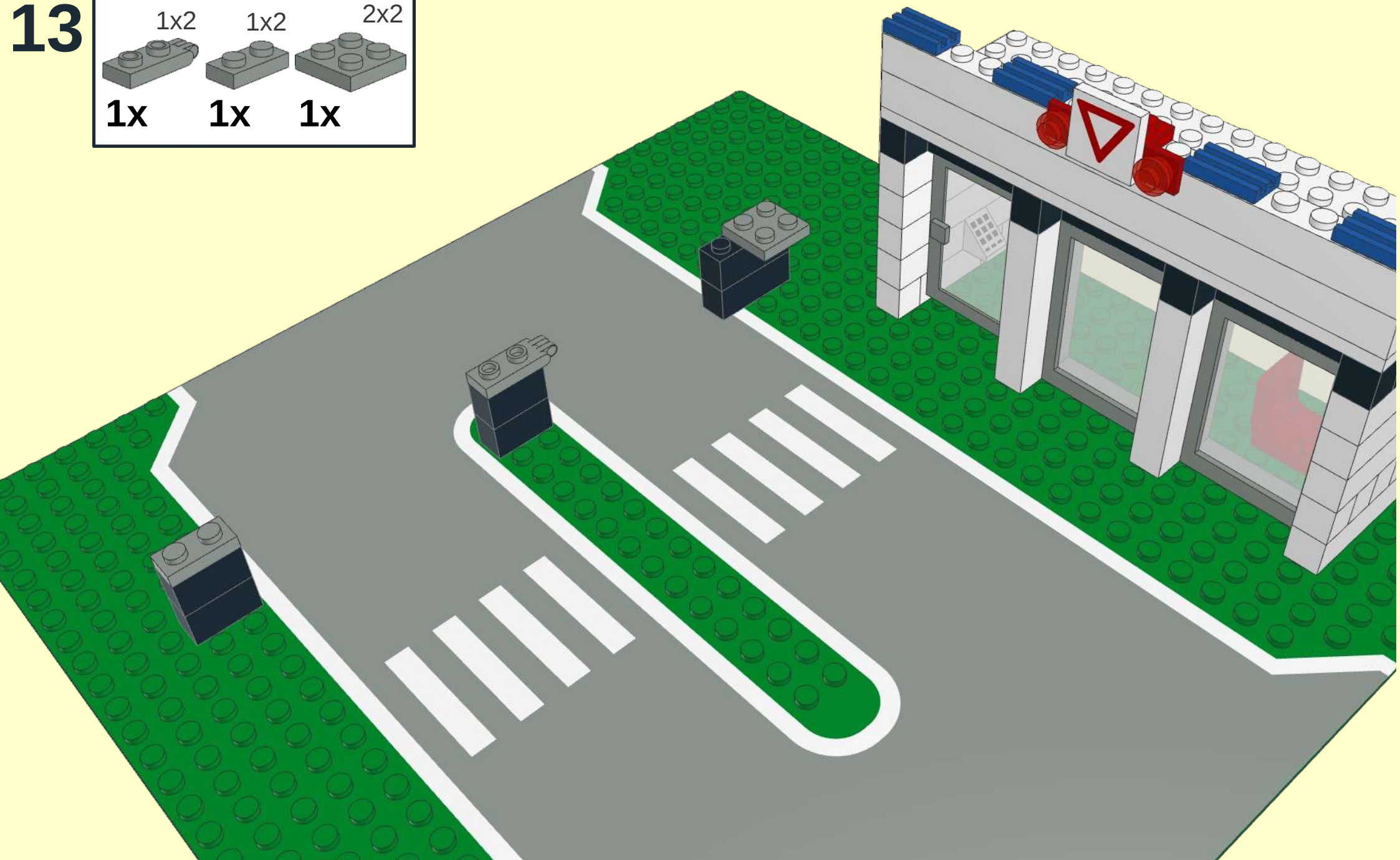
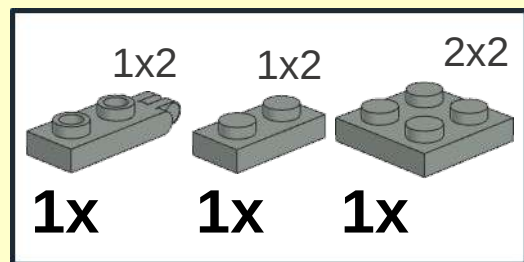
# 11



12

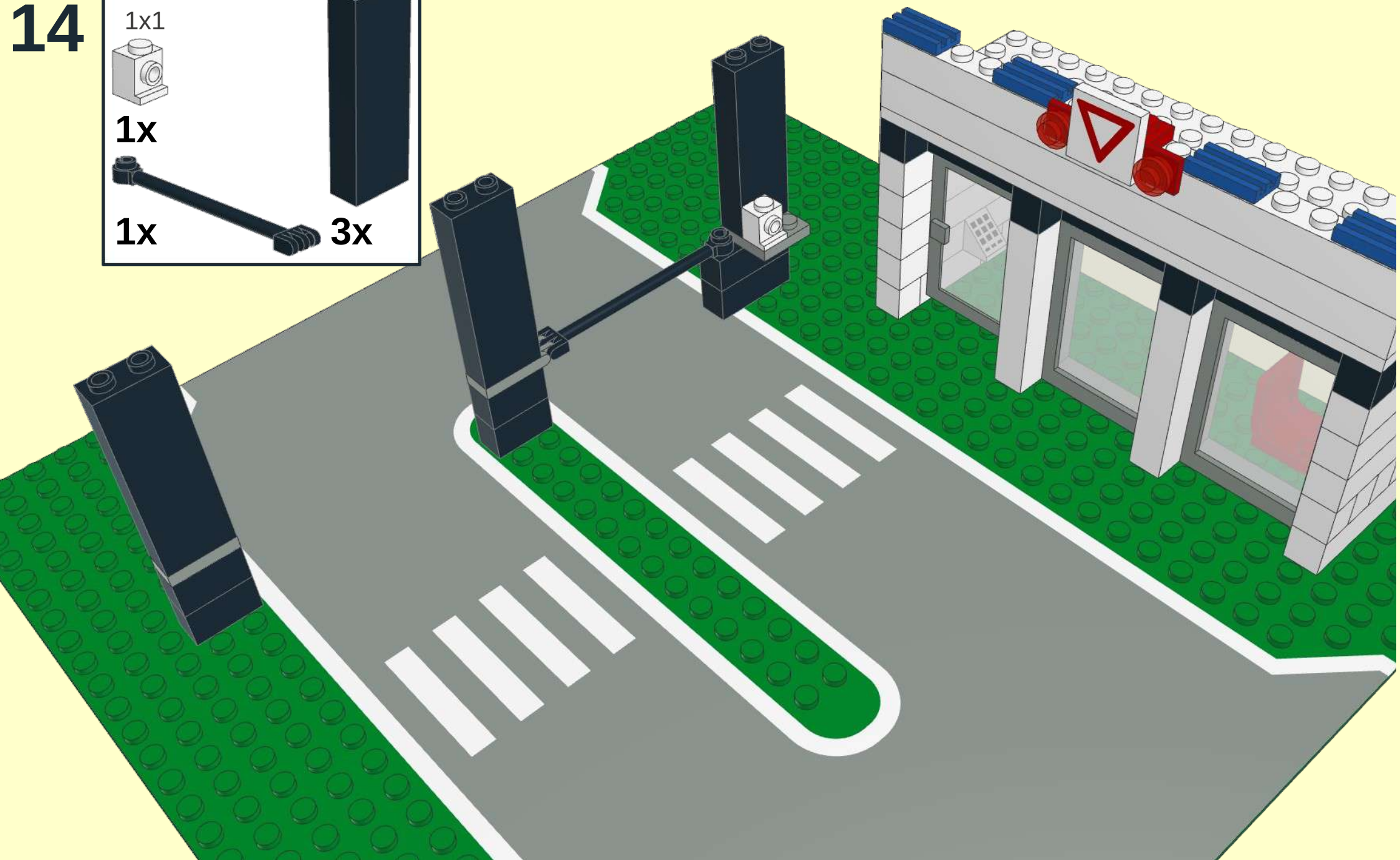


# 13



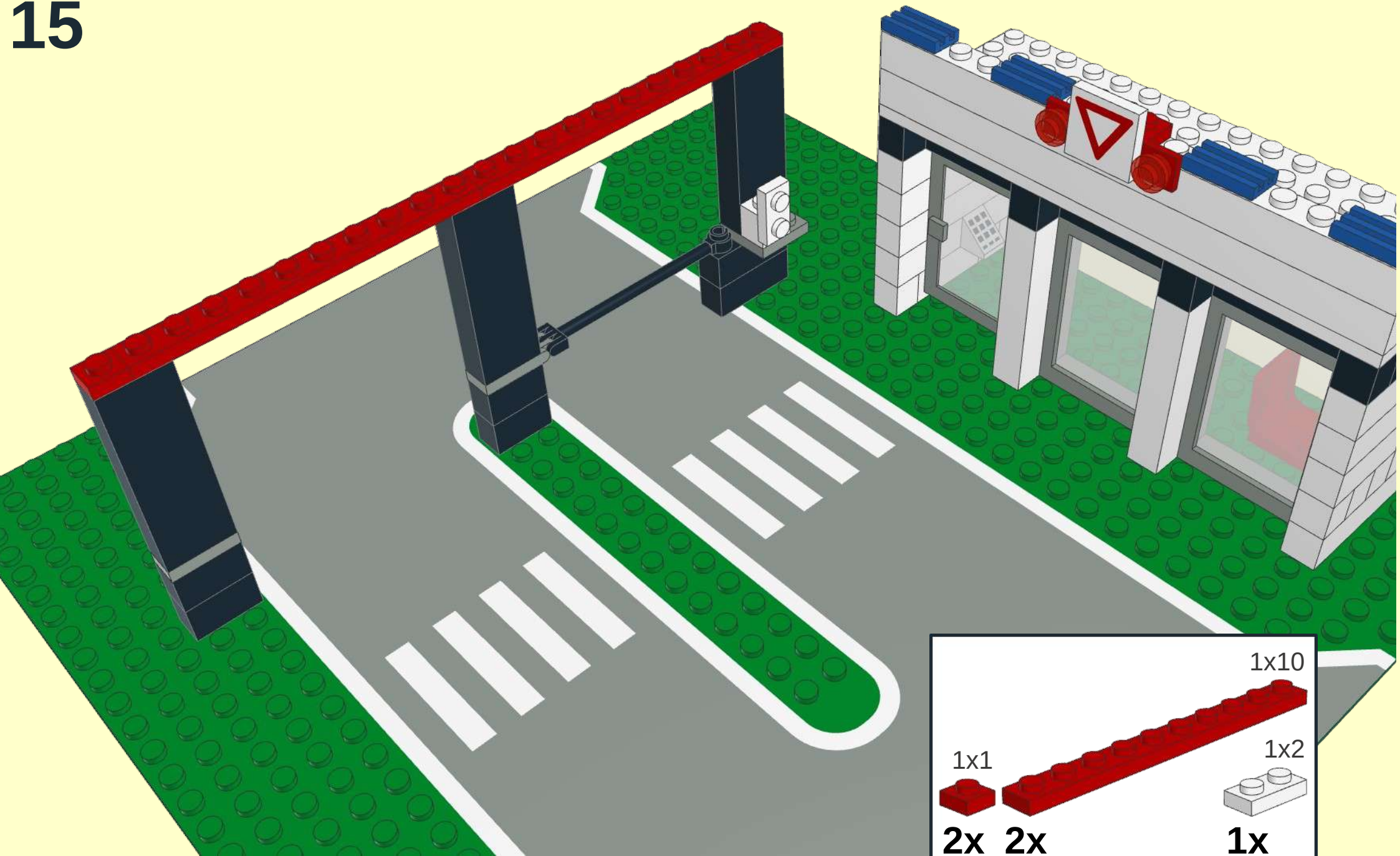
14

1x1  
1x  
1x  
3x





15




1x10  
1x2  
1x1  
2x 2x 1x



A parts list for step 15, enclosed in a black-bordered box. It lists the following components: a 1x10 red Technic beam, a 1x1 red Technic brick, a 2x 2x red Technic brick, and a 1x white 1x2 Technic brick. The quantities are listed next to each part: 1x10, 1x2, 1x1, and 2x 2x 1x.

# 16

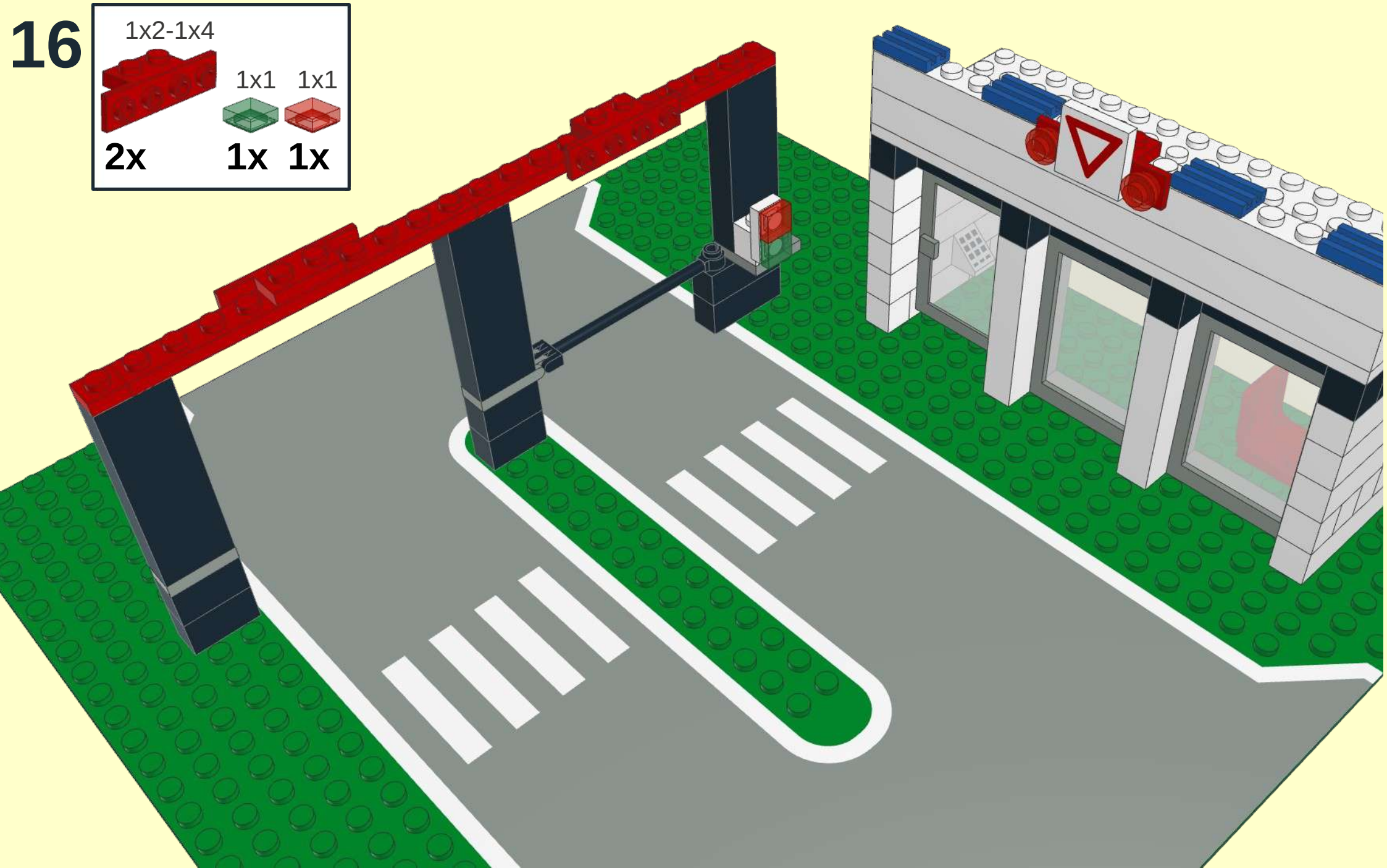
1x2-1x4



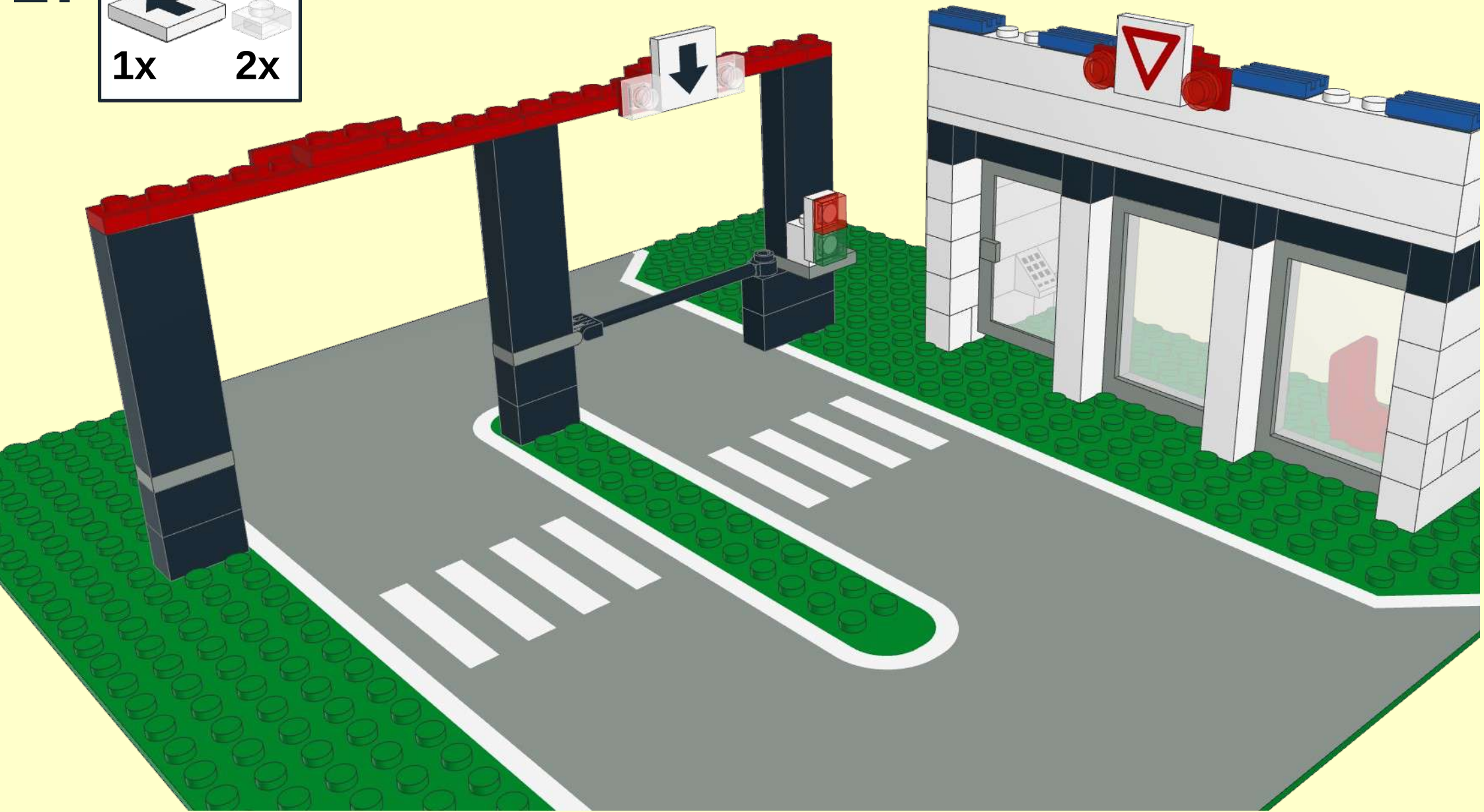
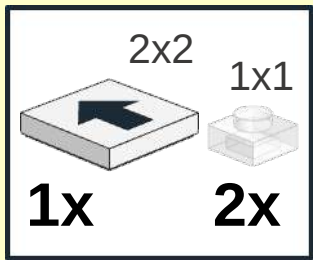
1x1 1x1



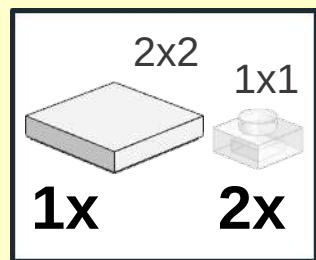
**2x**      **1x** **1x**



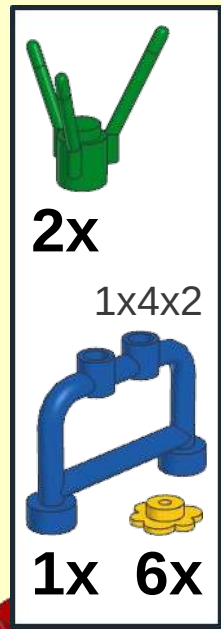
17



18



19



2x

1x4x2

1x 6x

This inset box lists the parts for step 19. It includes two green Technic pins, one blue 4x2 Technic pipe, and six yellow Technic flowers. The quantities are listed as 2x, 1x4x2, and 1x 6x respectively.



