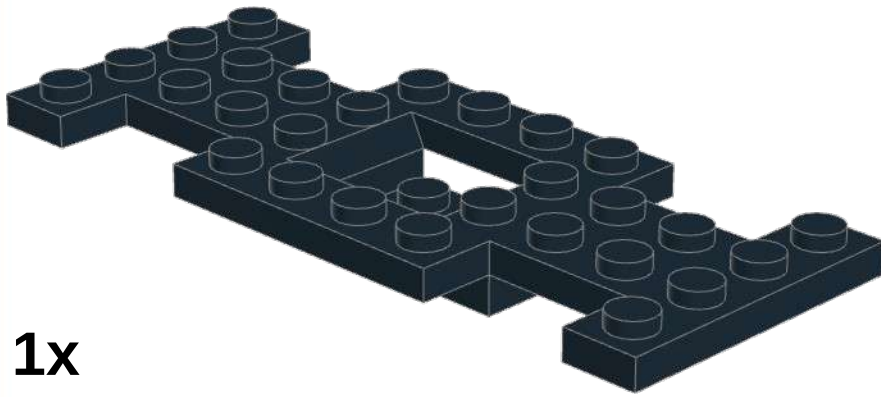


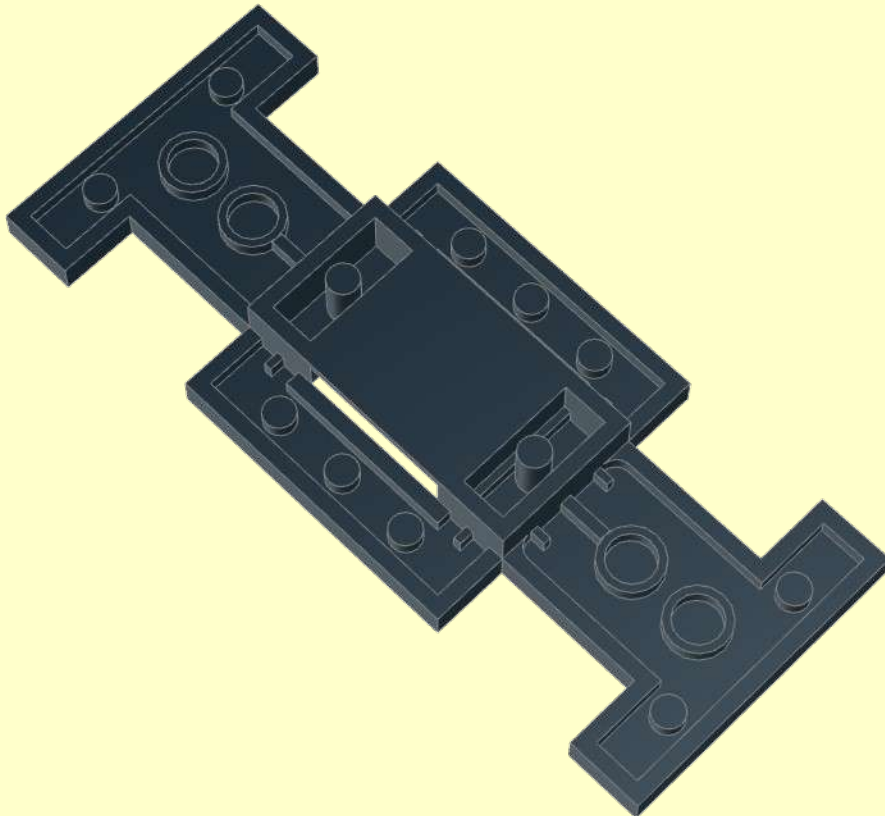
1




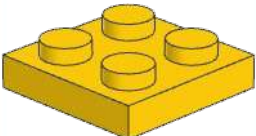
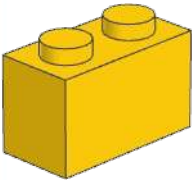

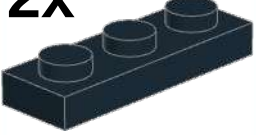
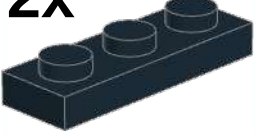
4x10x0.667

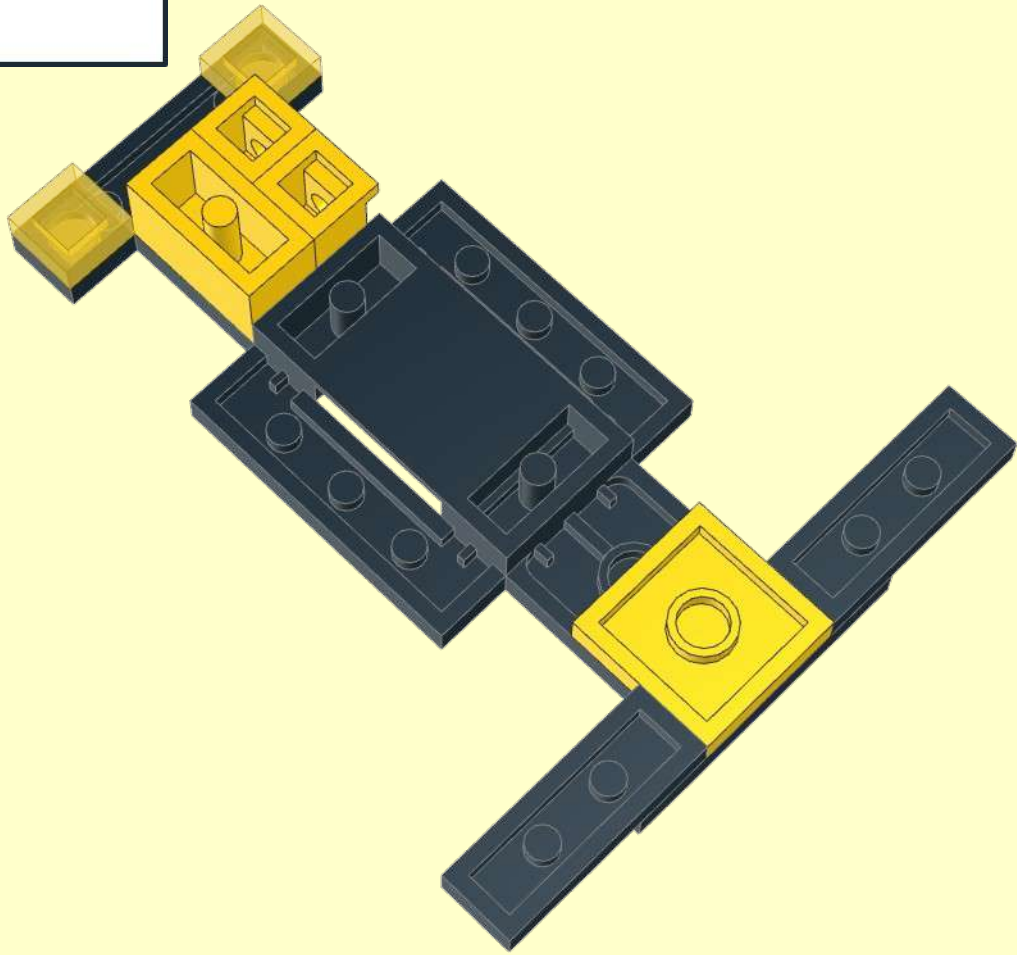


1x



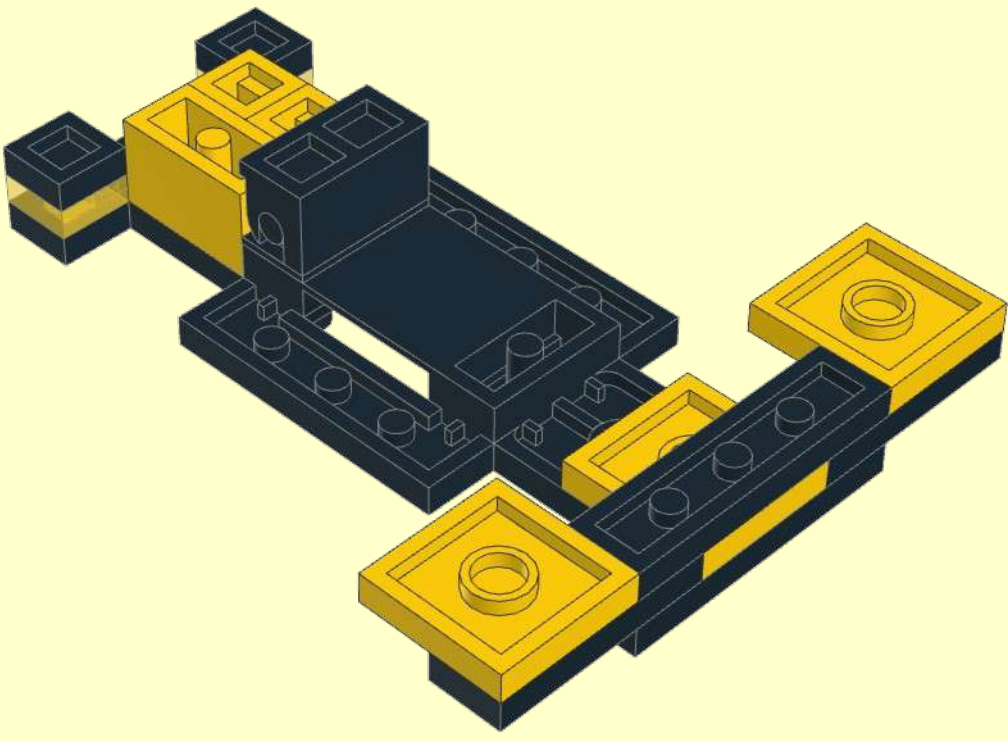
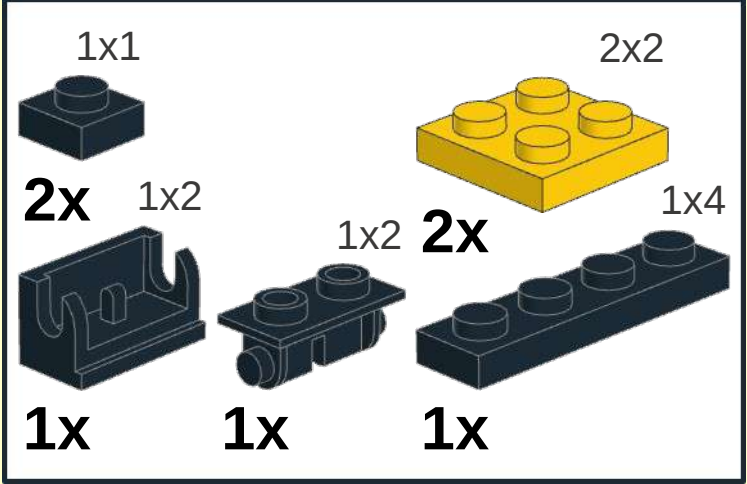
2

- 1x1  

- 2x 2x2  

- 1x 1x2  

- 1x  

- 2x 1x3  

- 2x  


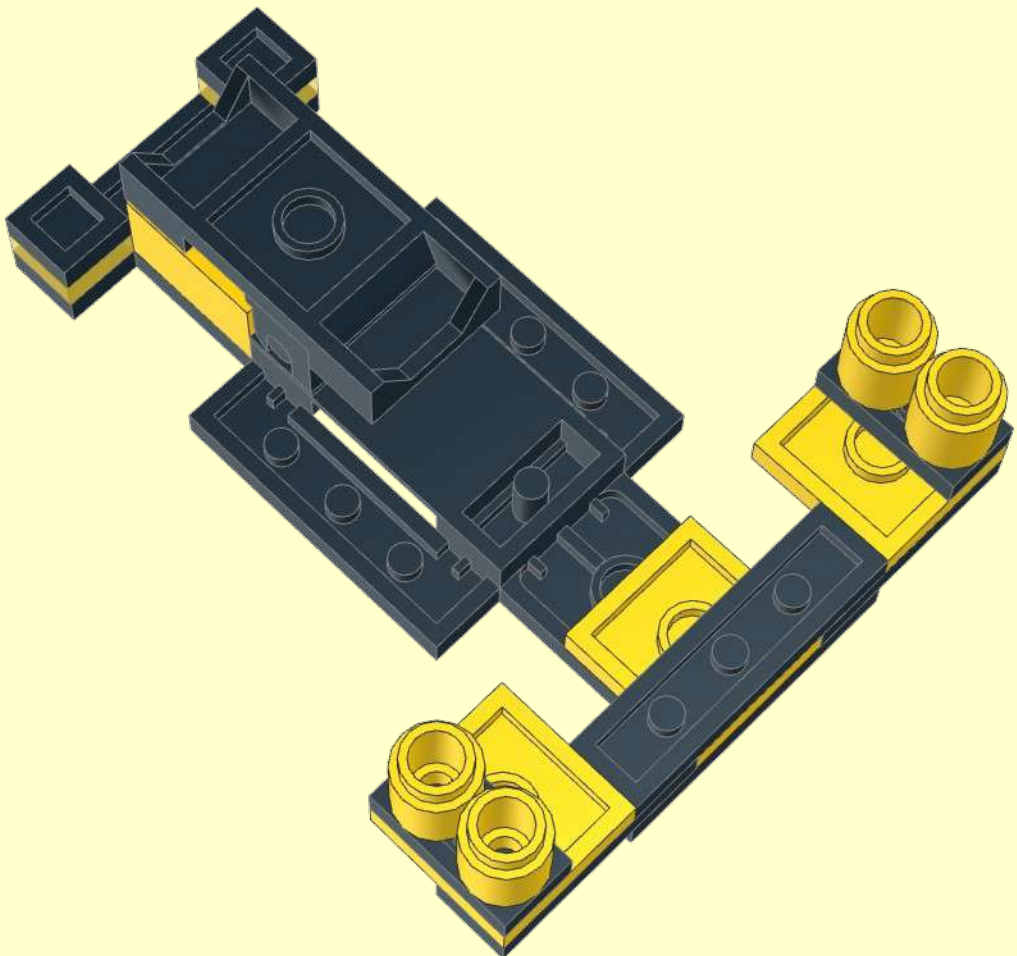
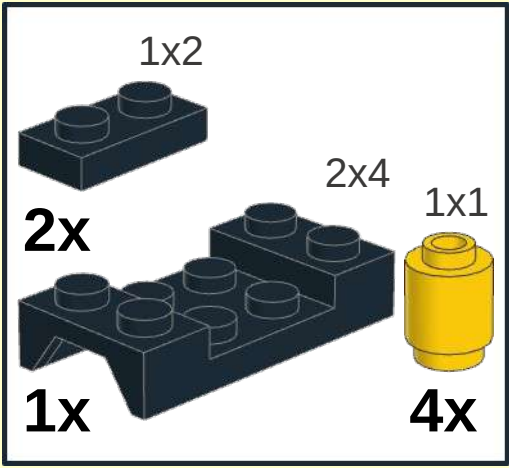




3

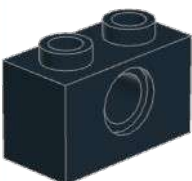


4

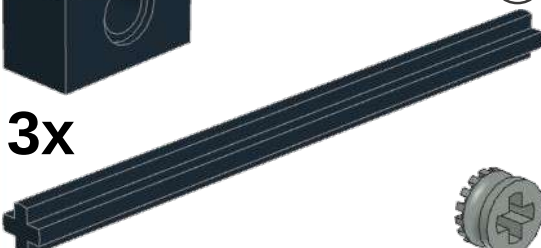


5


1x2




3x



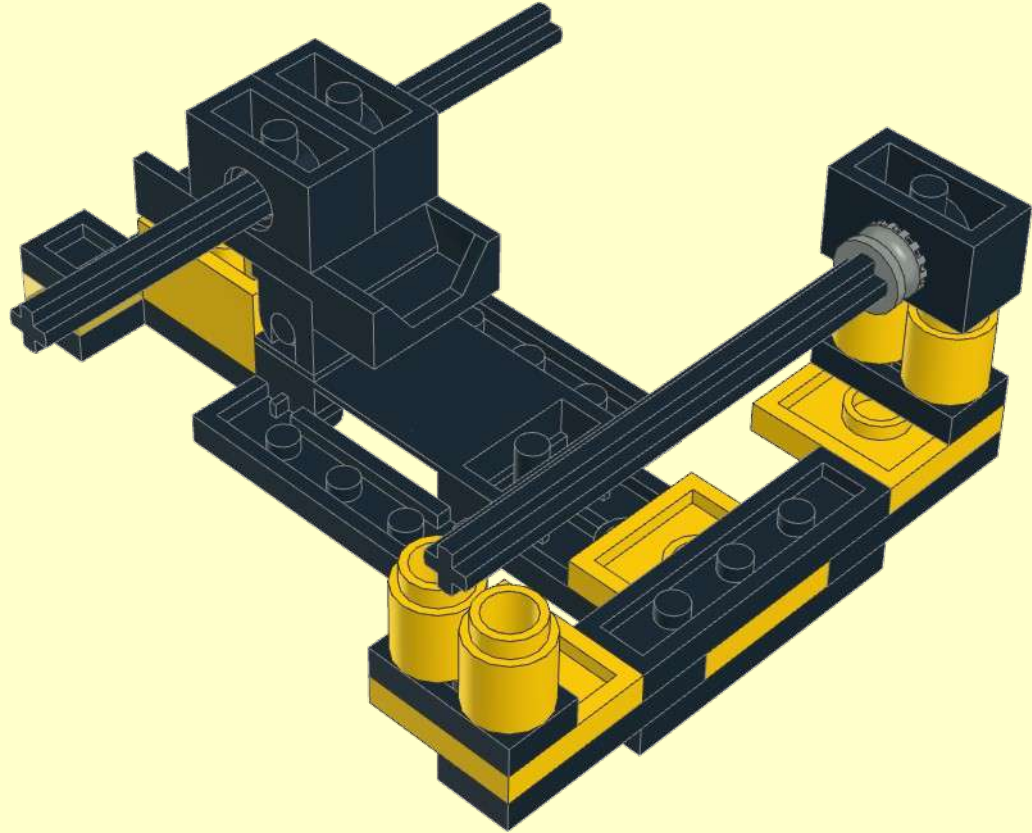

2x



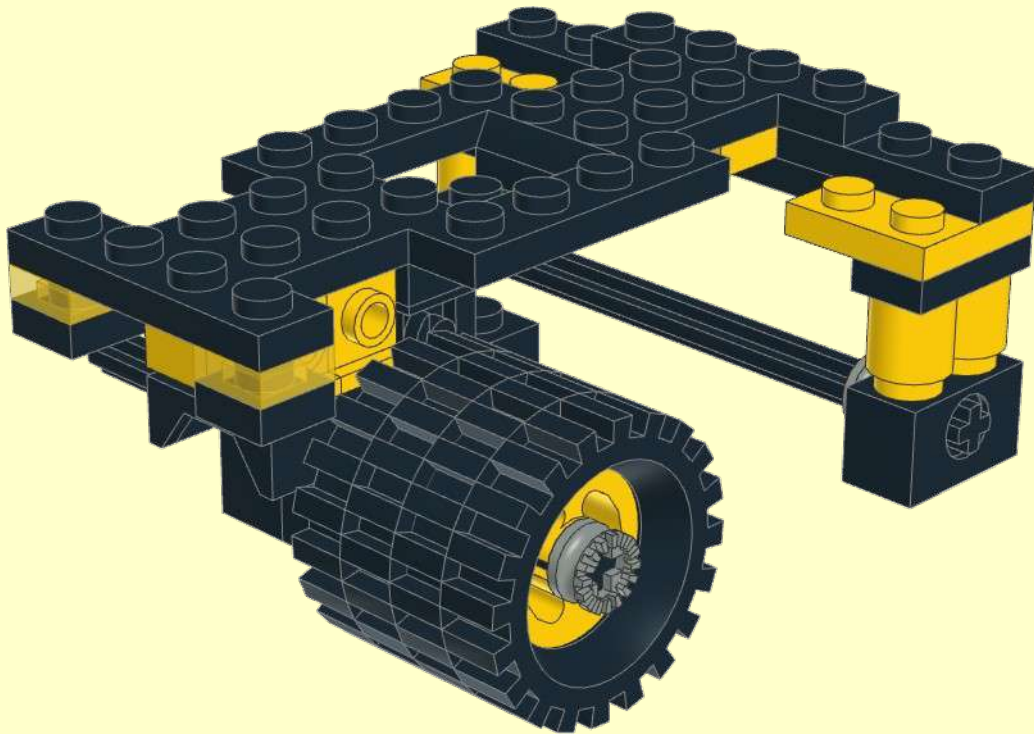
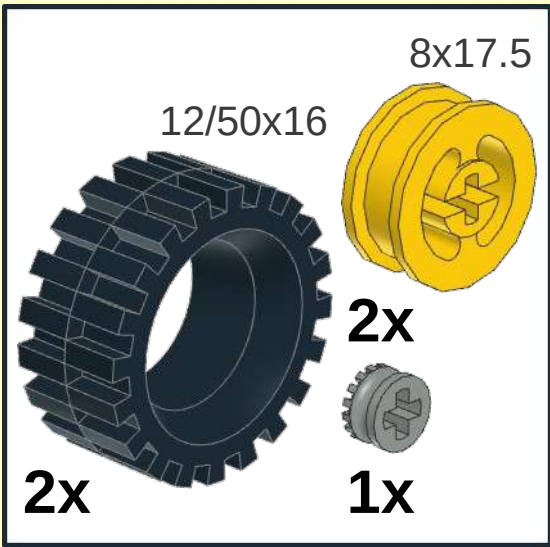
8



1x

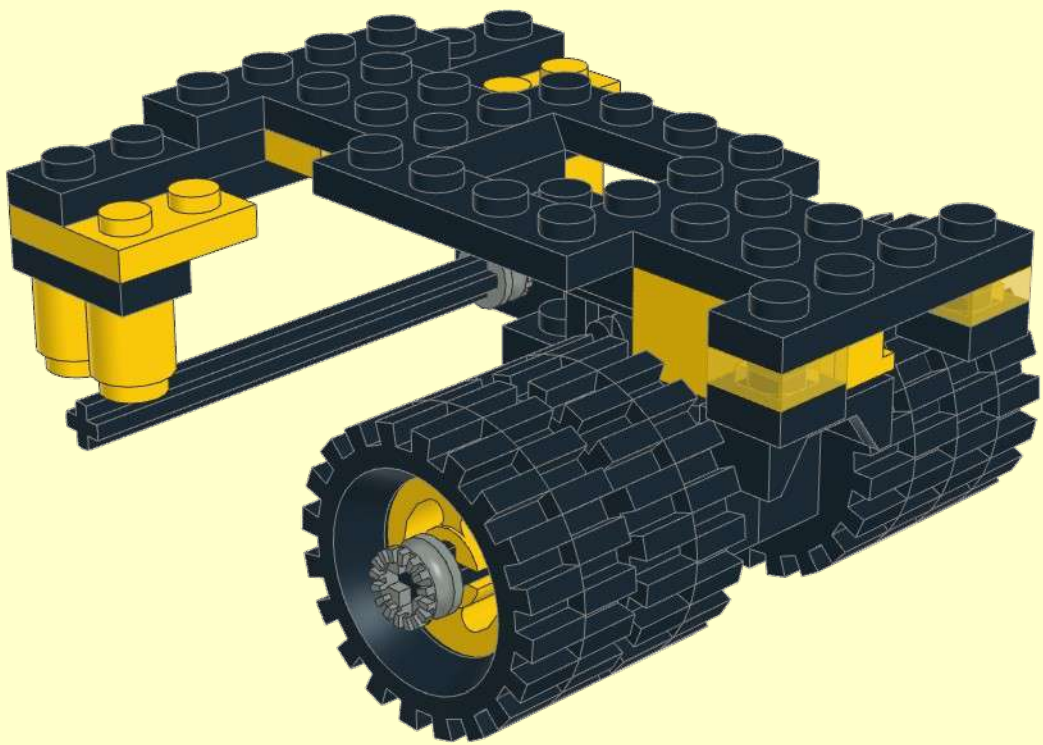


6





7



8

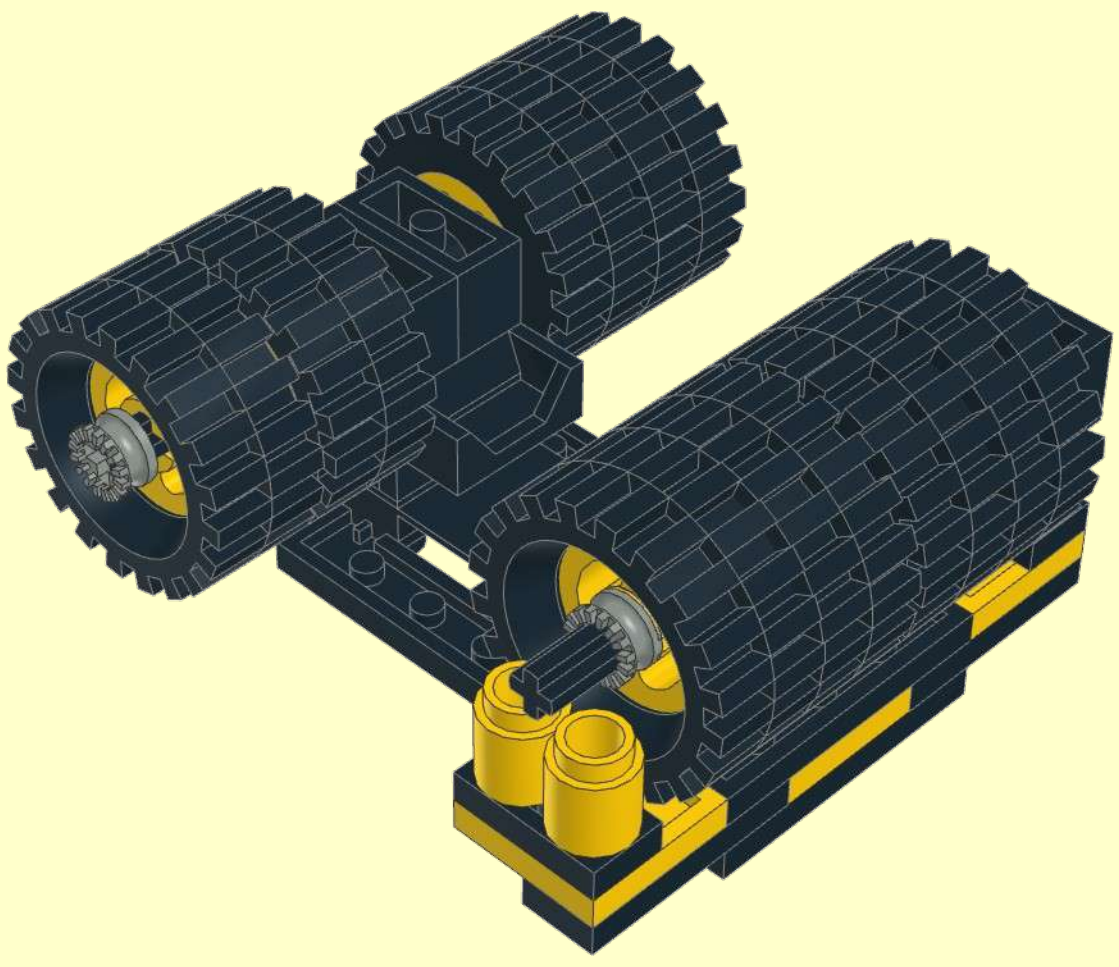
12/50x16

8x17.5

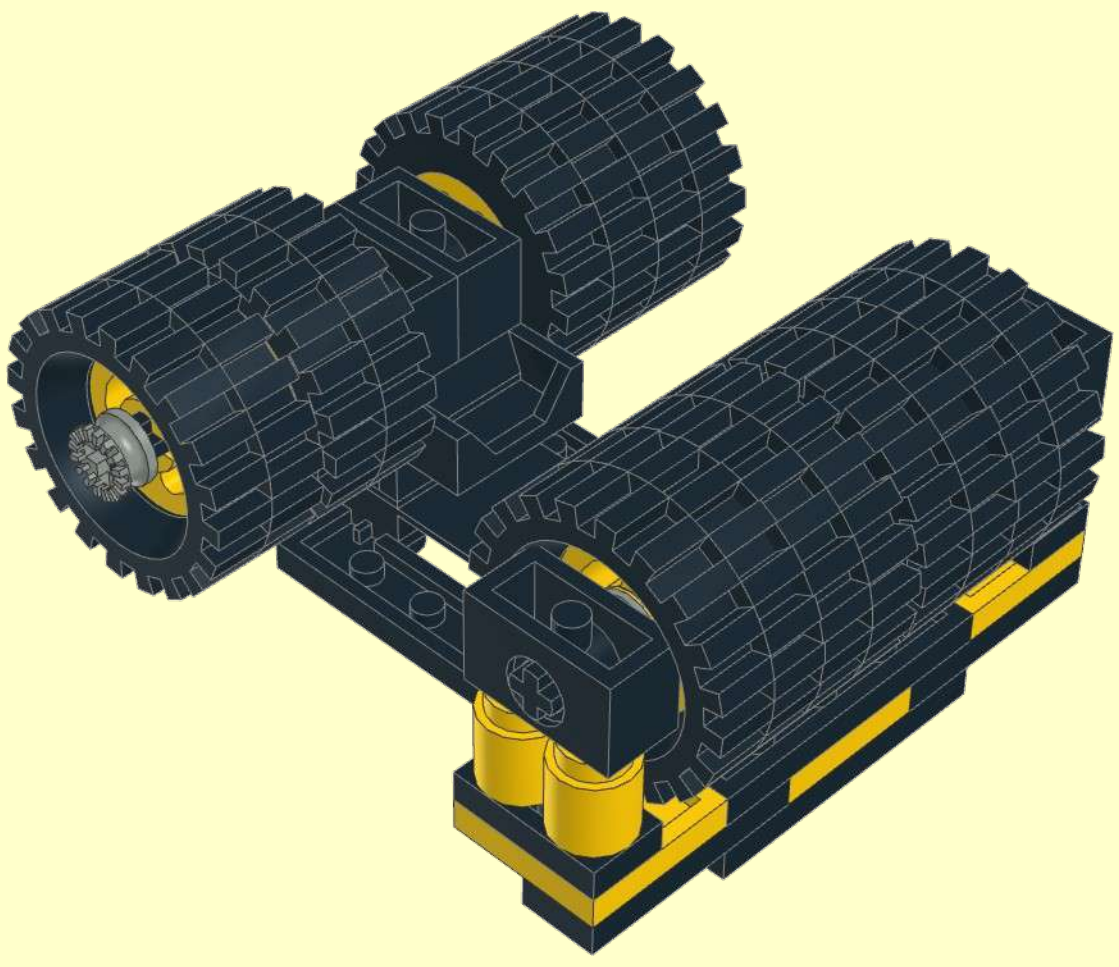
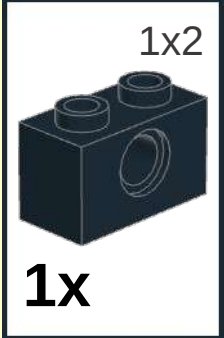
4x

4x

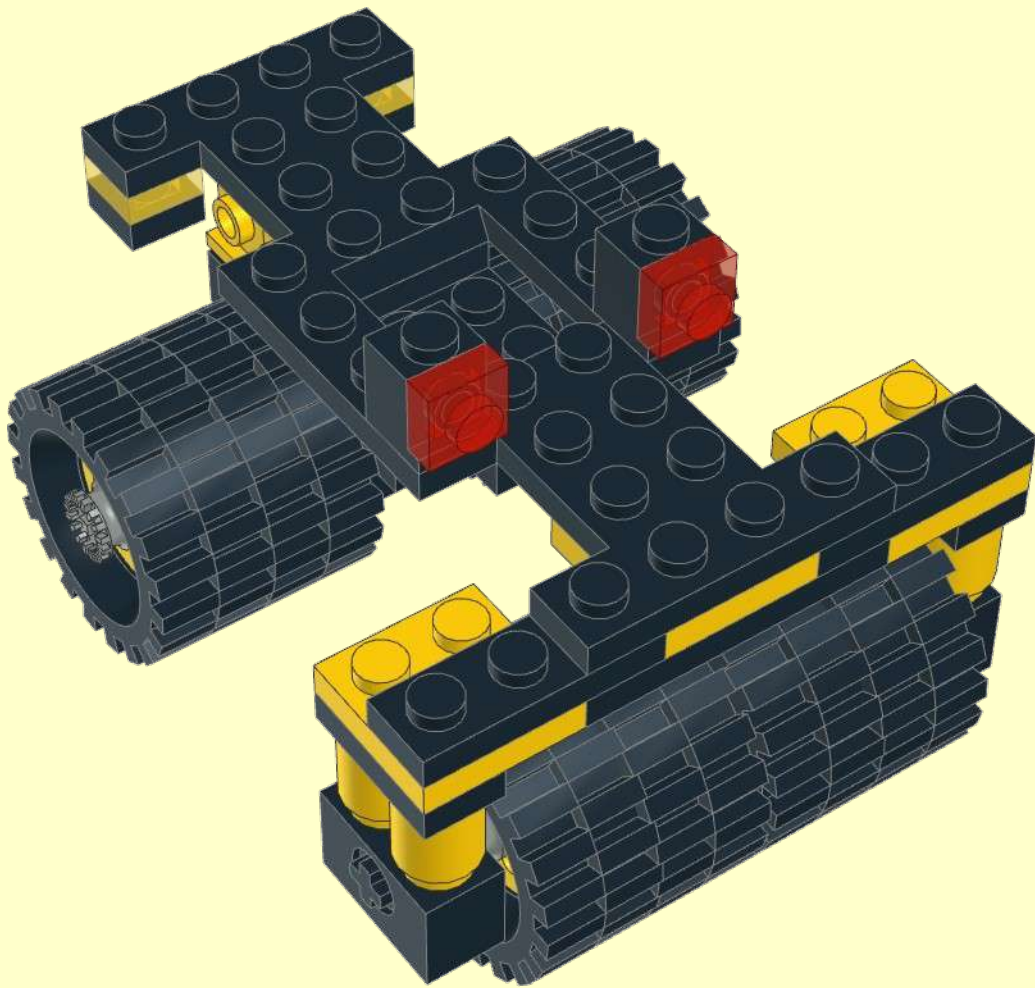
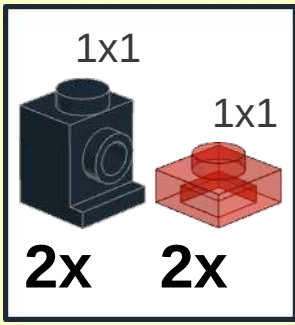
1x



9

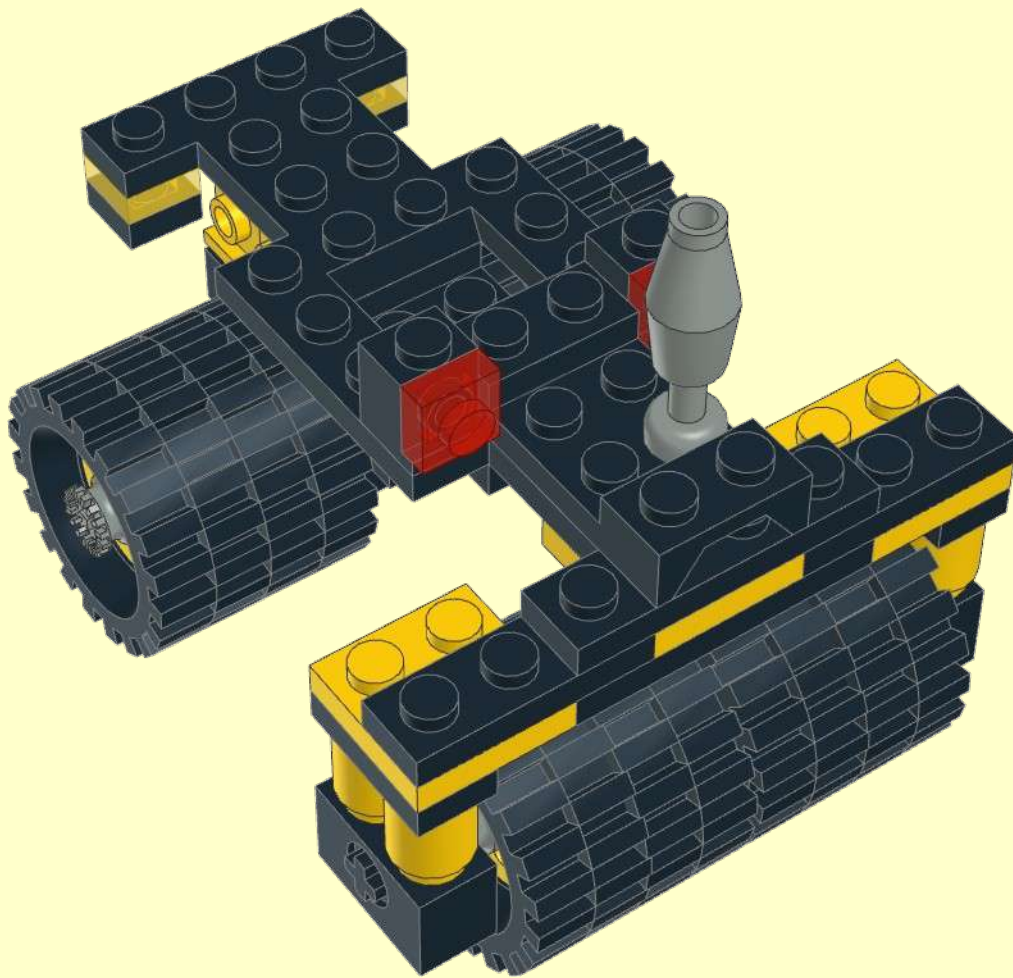
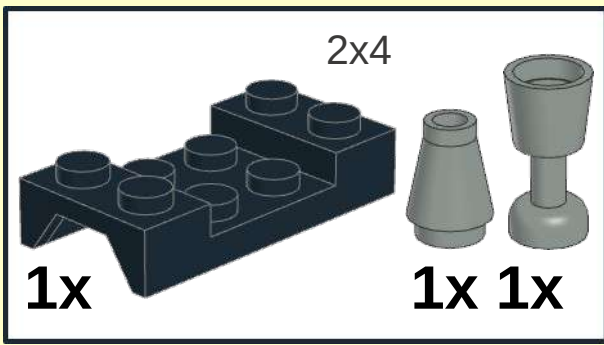


10

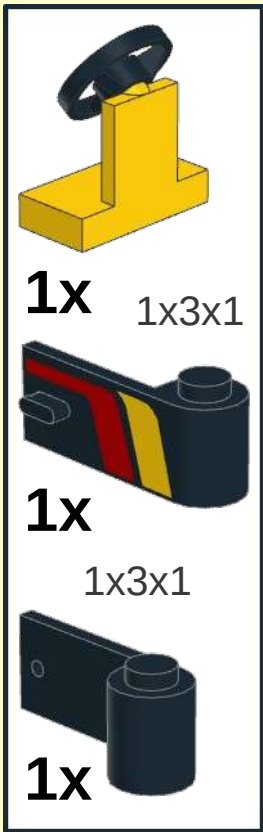




11



12

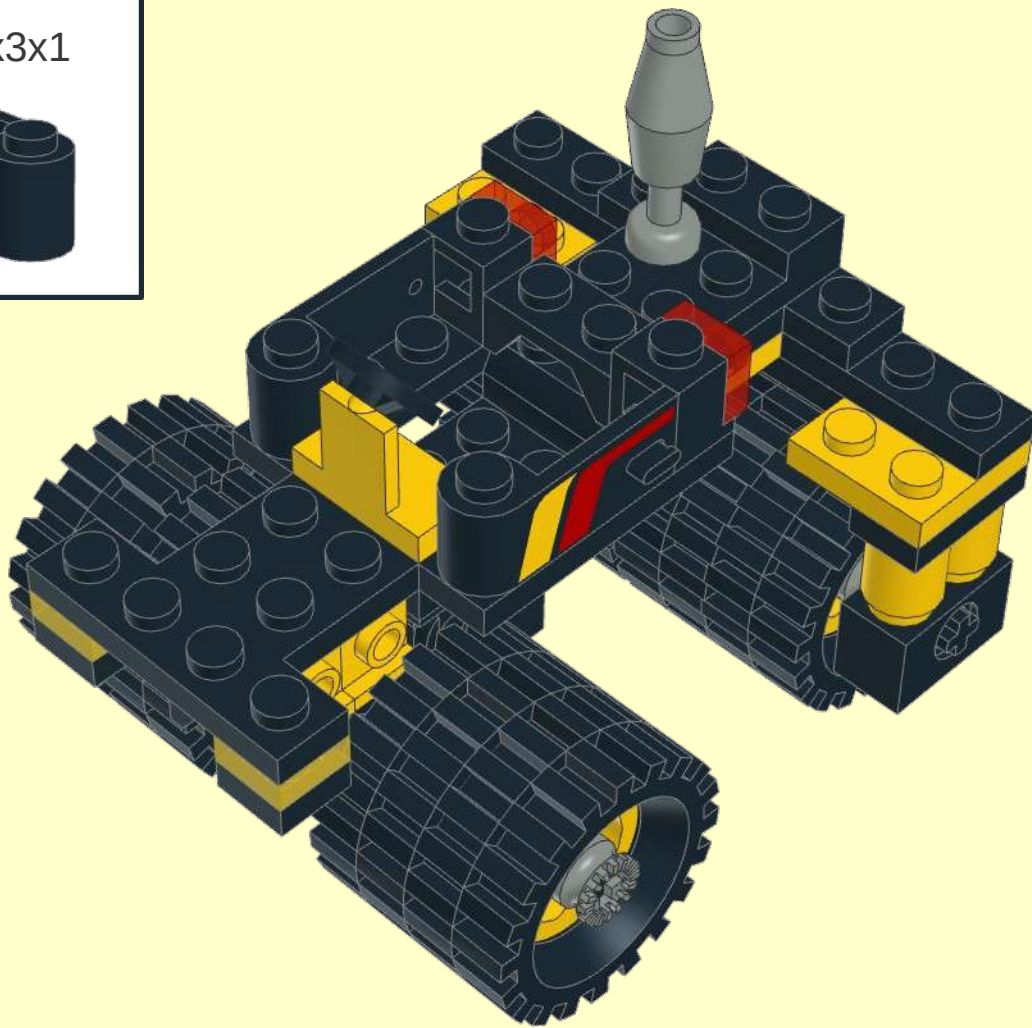


1x 1x3x1

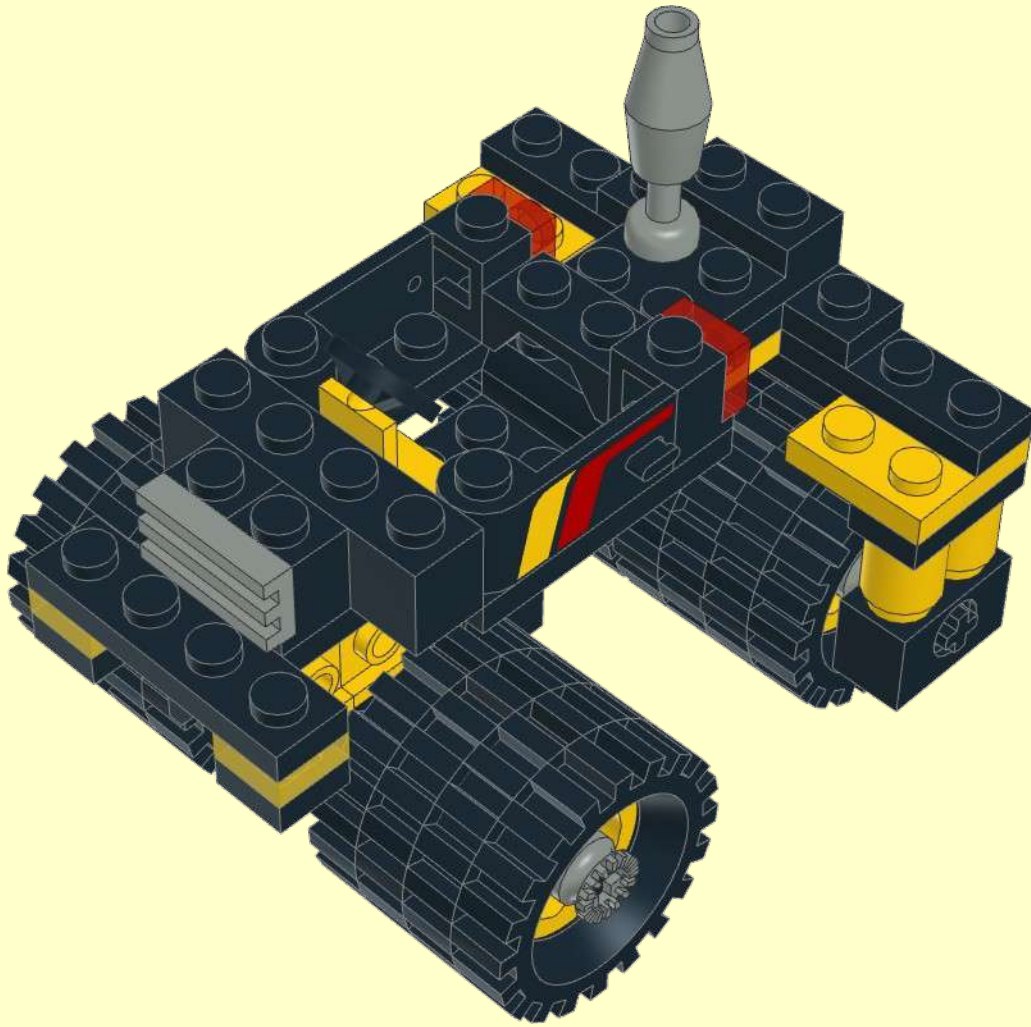
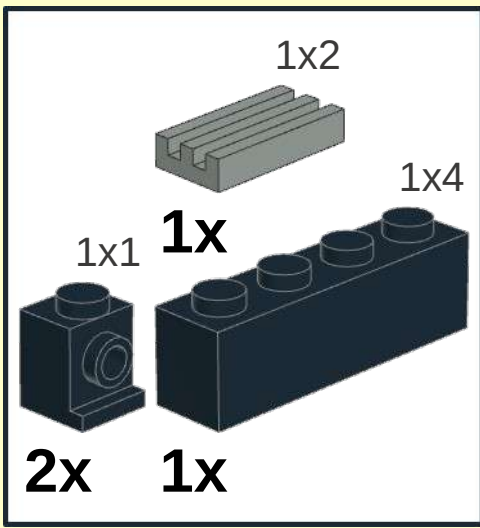
1x 1x3x1

1x 1x3x1

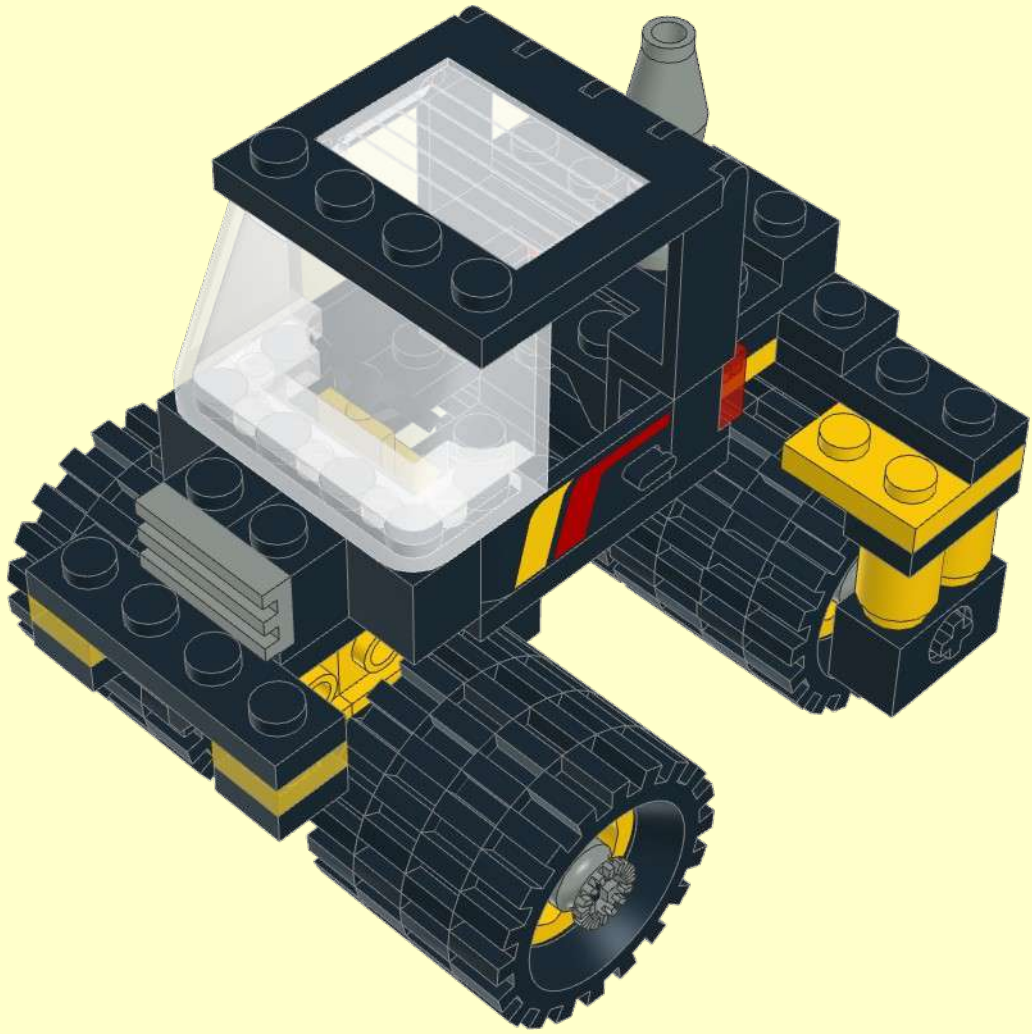
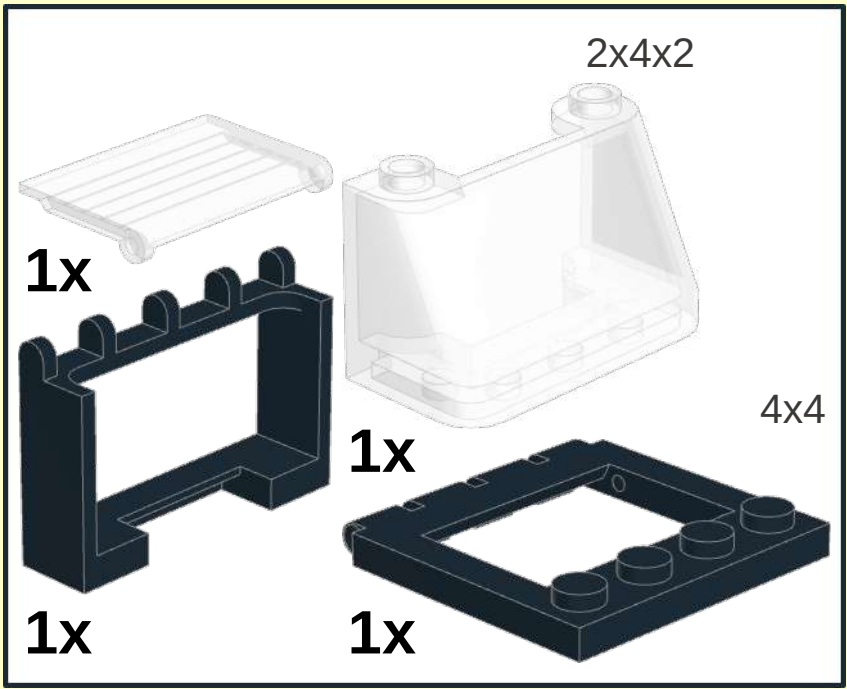
This block contains three items from a parts list. The first is a yellow 1x3x1 Technic brick with a black axle hole on top. The second is a black 1x3x1 Technic brick with a red and yellow stripe on top and a black axle hole on top. The third is a black 1x3x1 Technic brick with a black axle hole on top.



# 13



14





15

