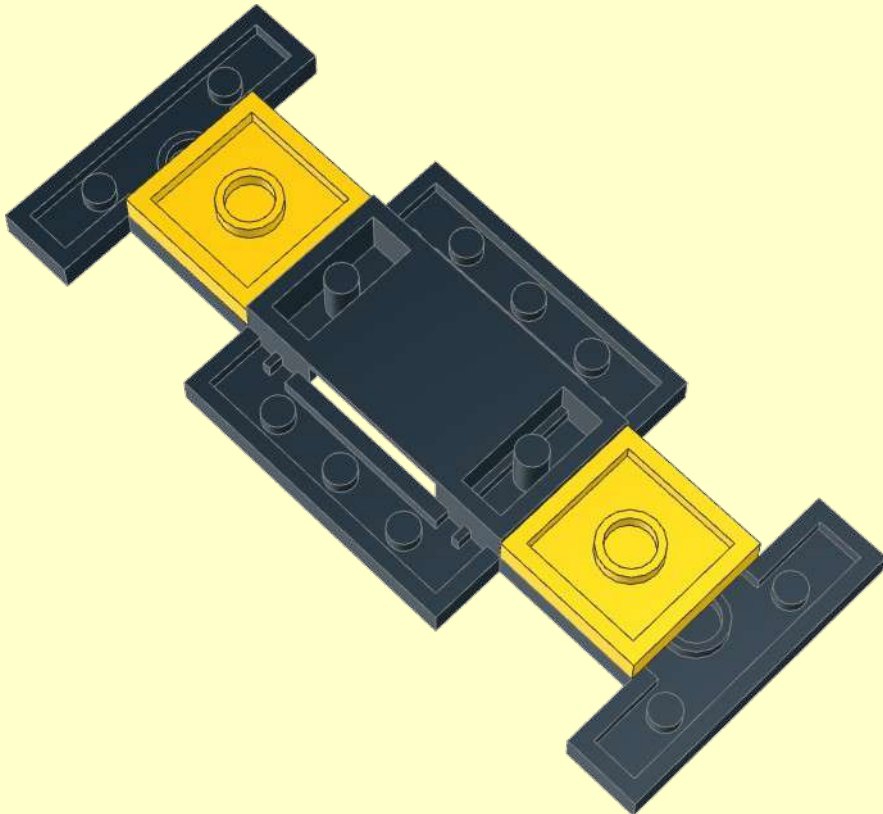
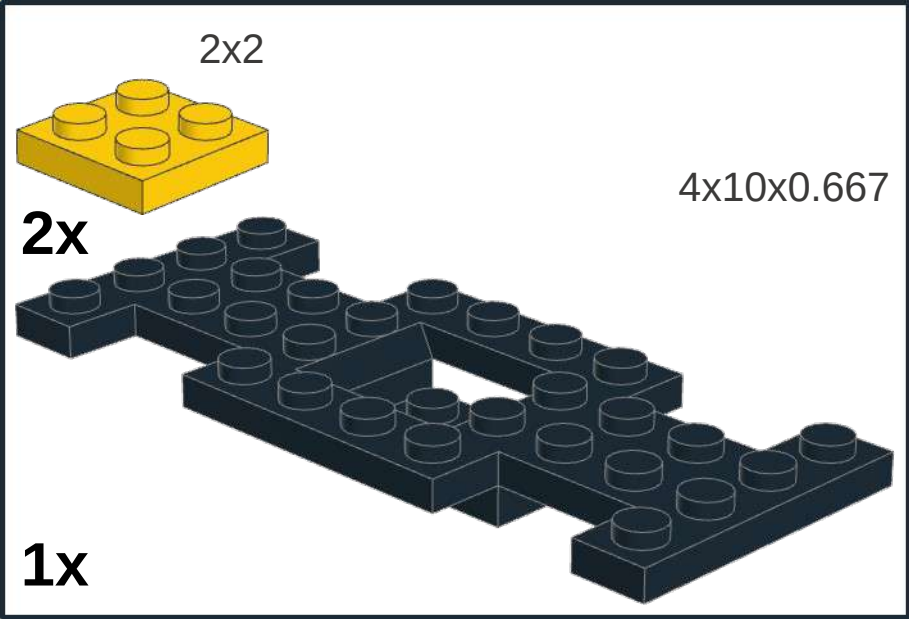
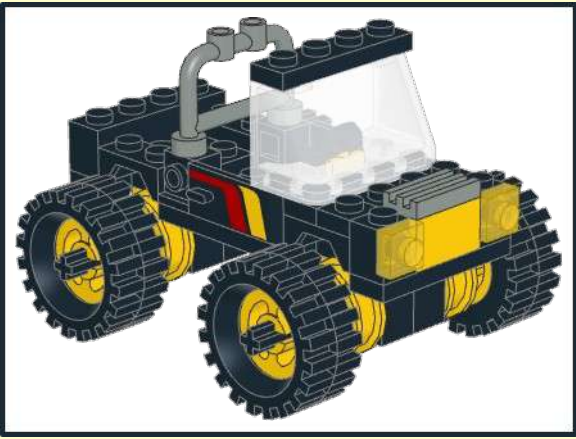
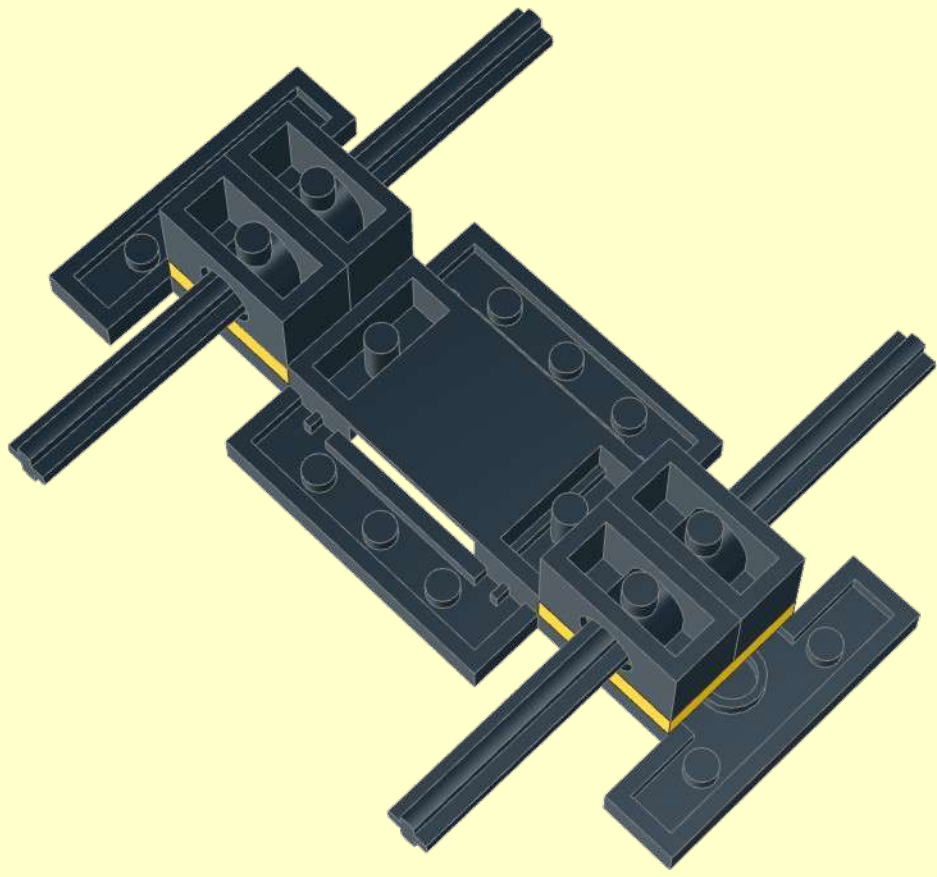
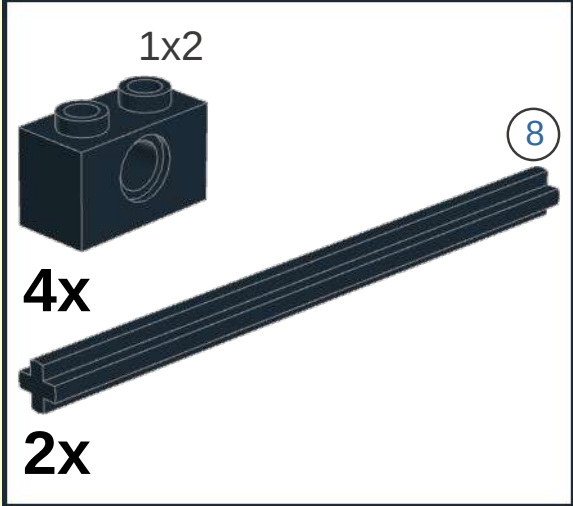




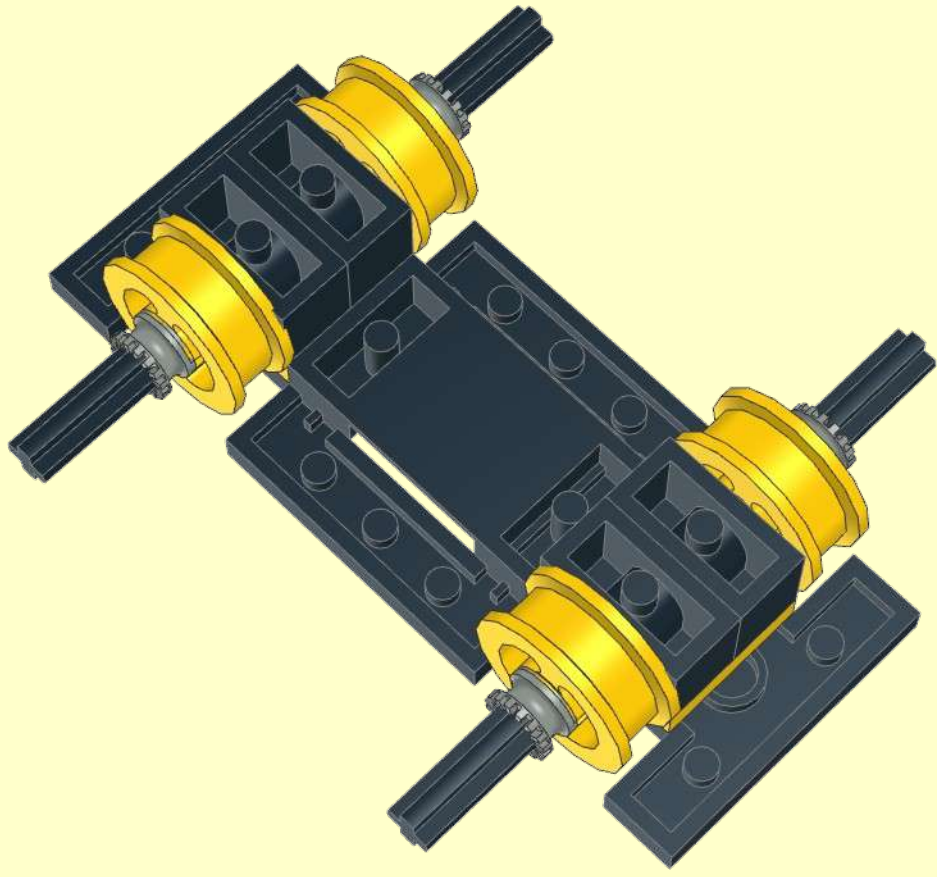
1



2



3



4

8x17.5

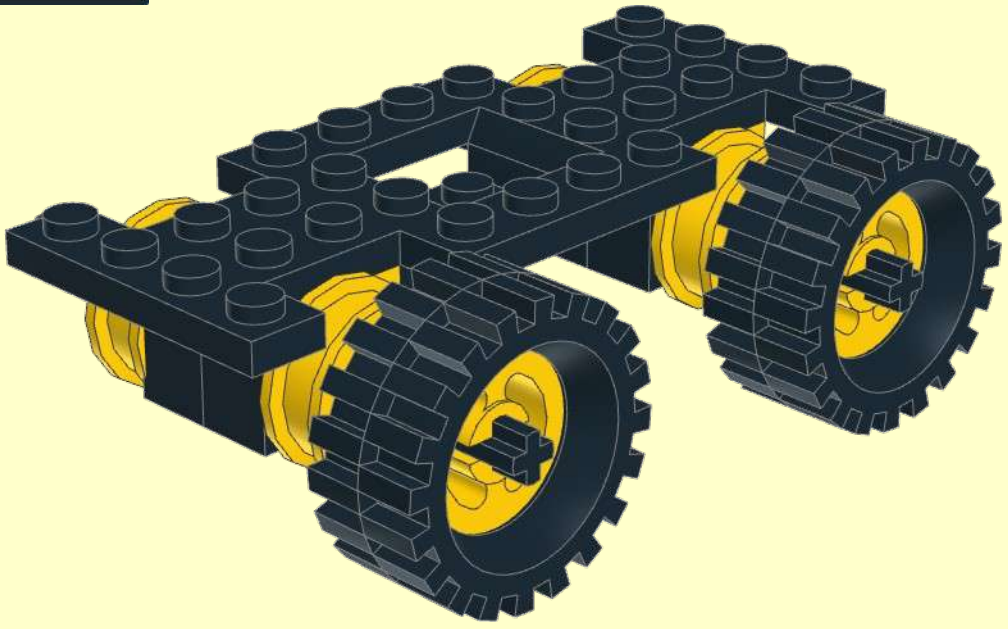


2x

12/50x16



2x



5

8x17.5

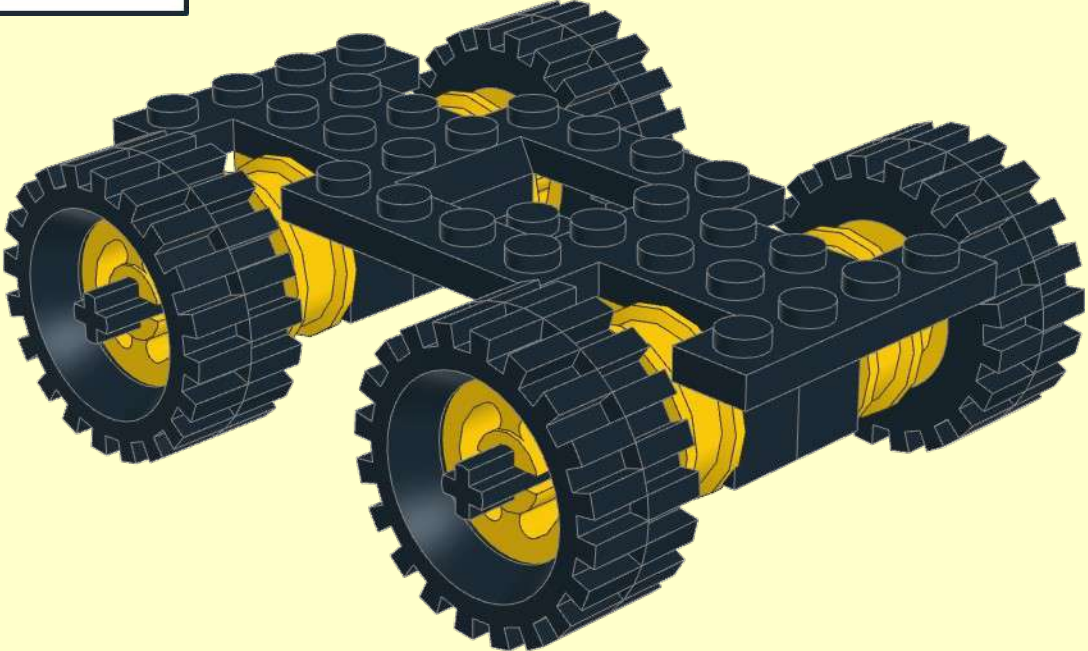


2x

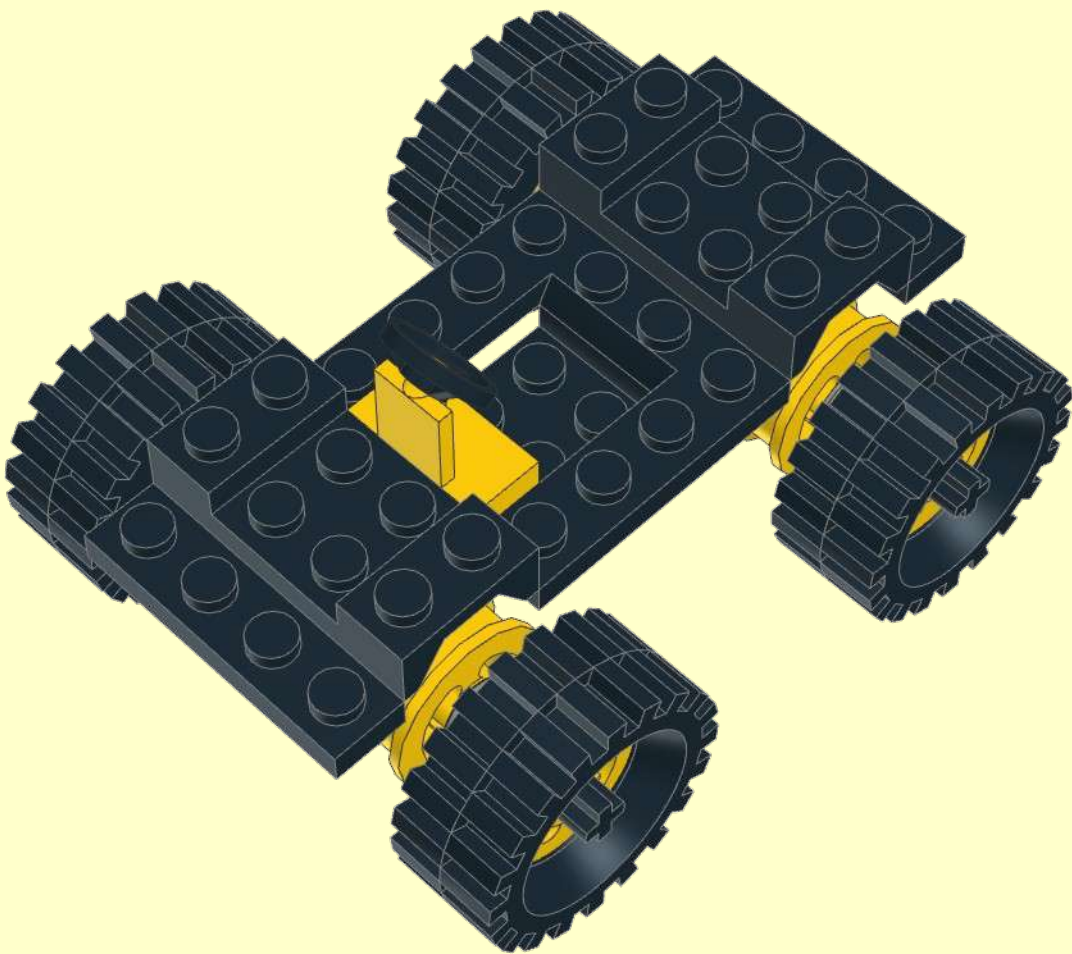
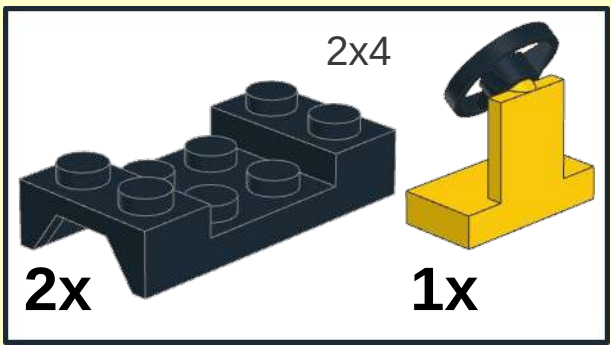
12/50x16



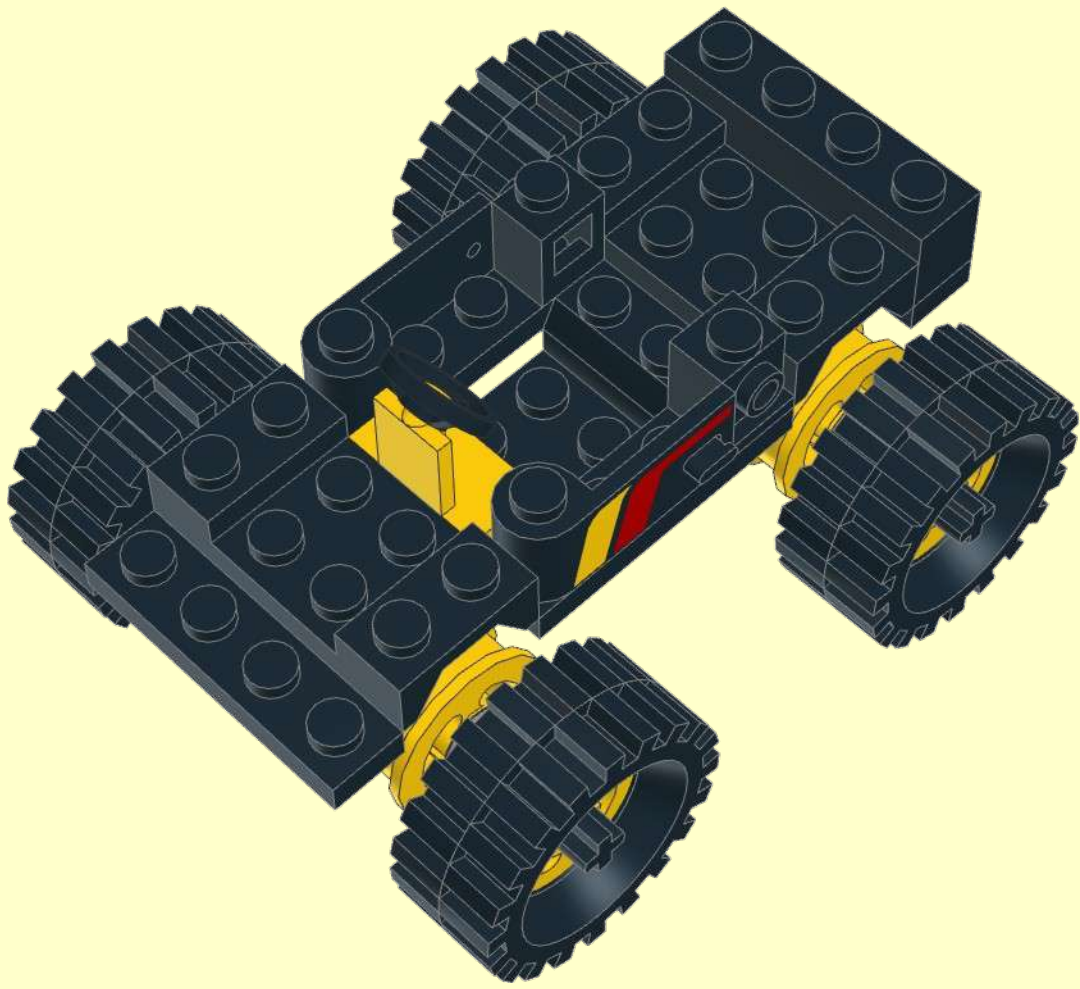
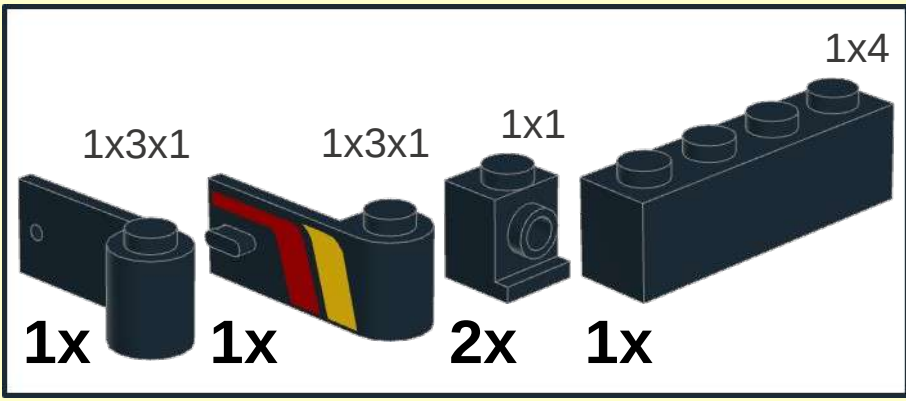
2x



6

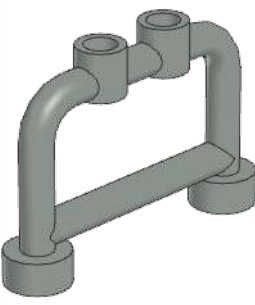


7

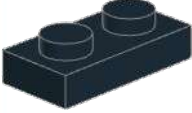


8

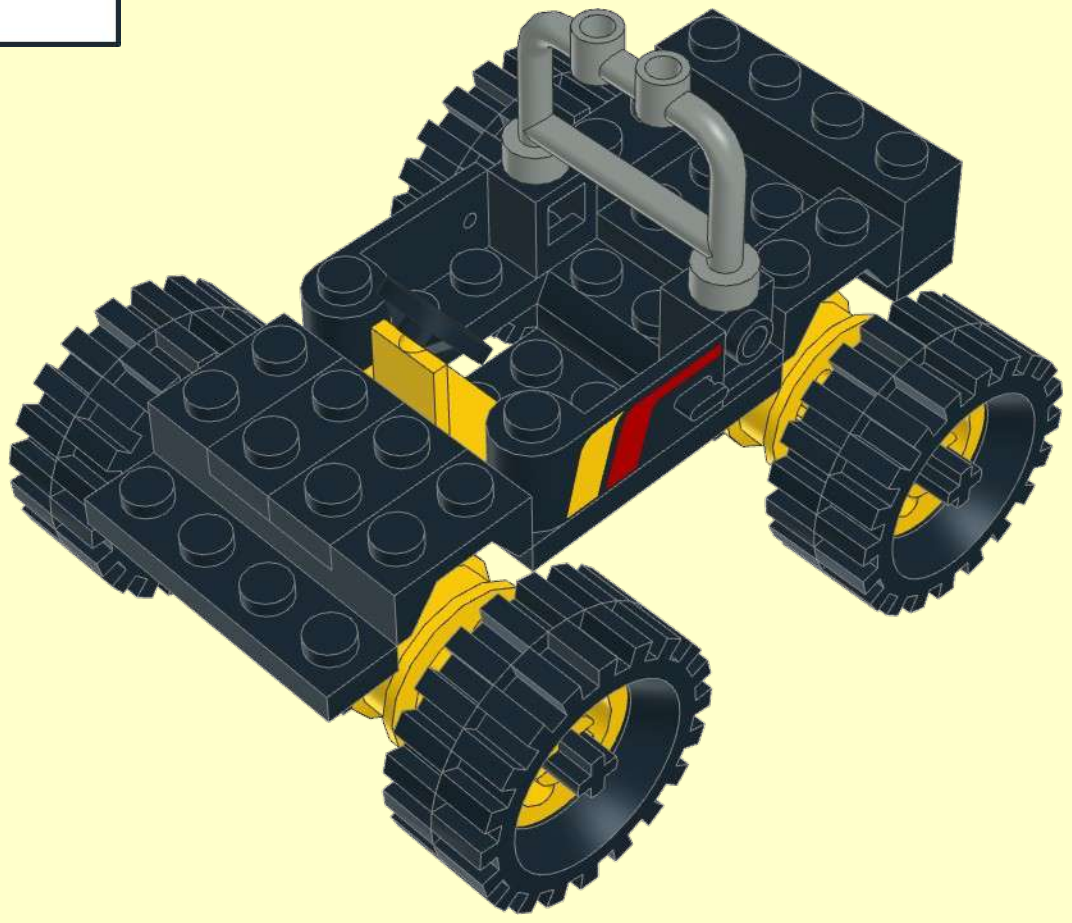
1x4x2



1x 1x2

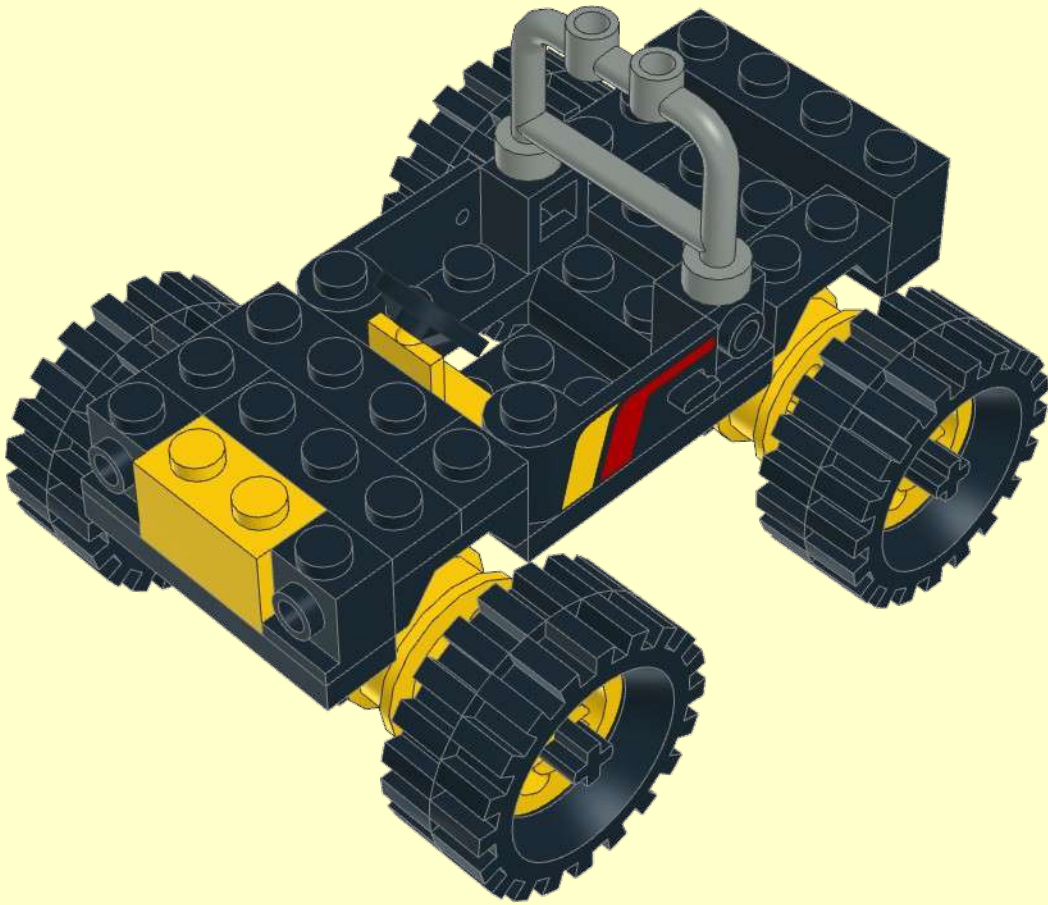


2x




9

1x1	1x2
2x	
1x1	1x3
2x	2x




10

2x4x2

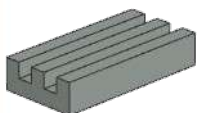


1x

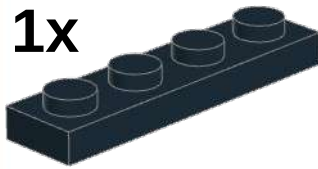
1x1



2x 1x2



1x 1x4



1x

