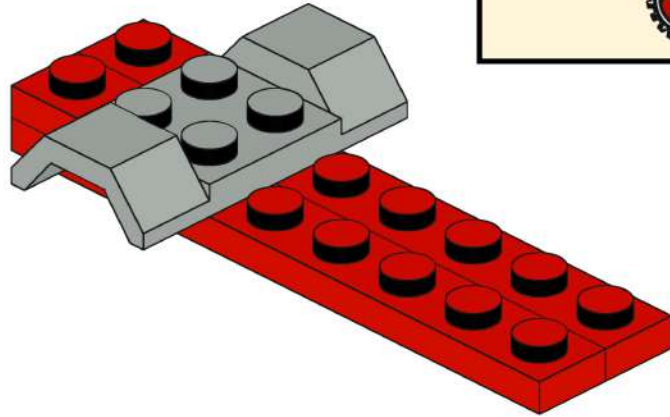
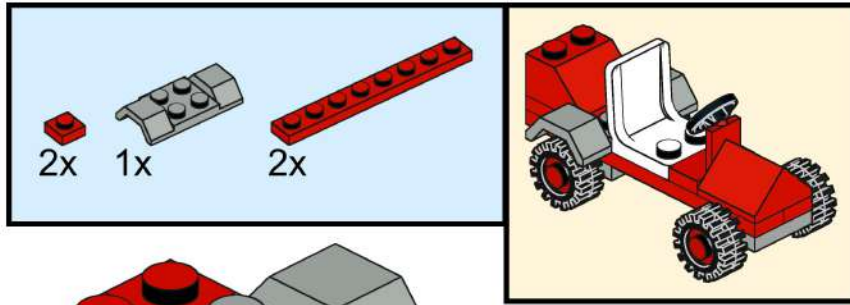
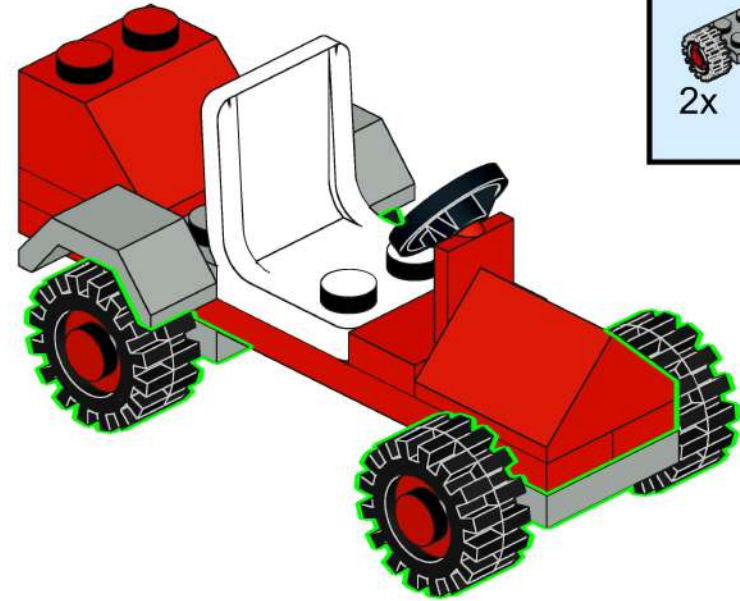
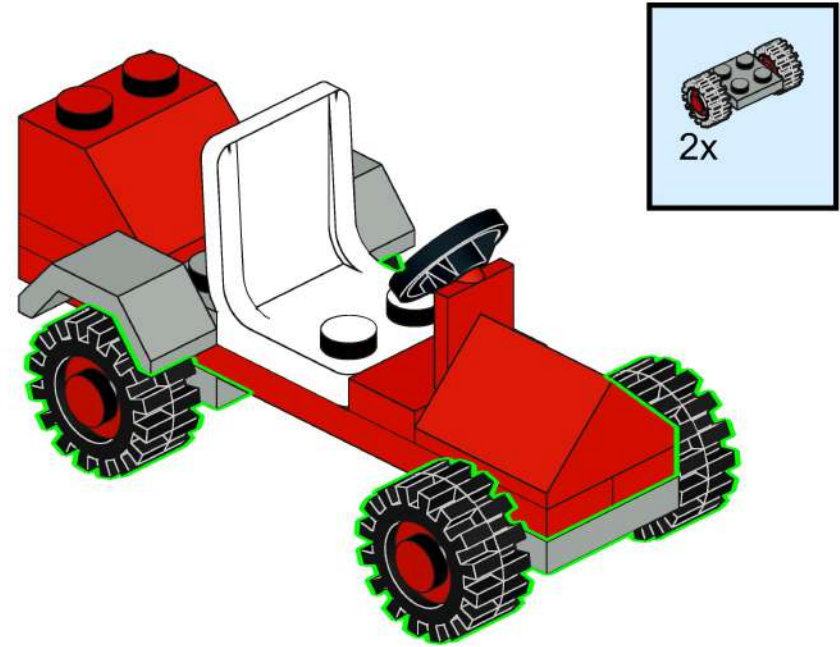


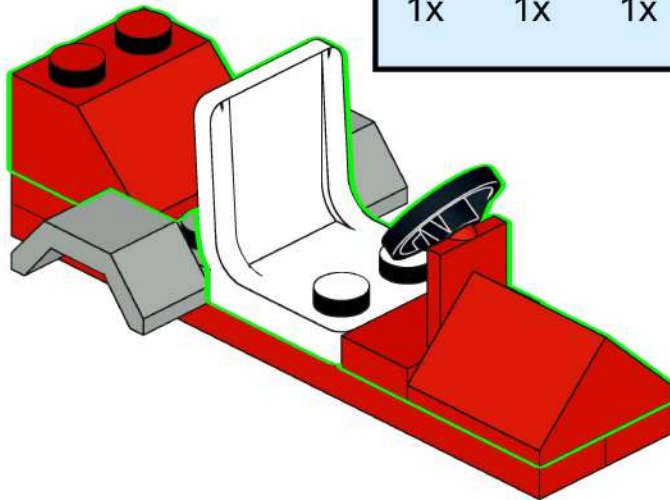
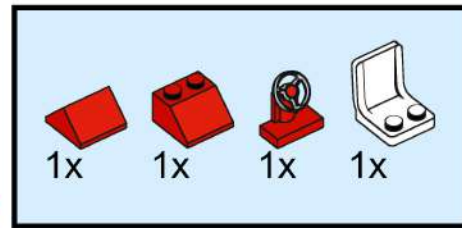
1



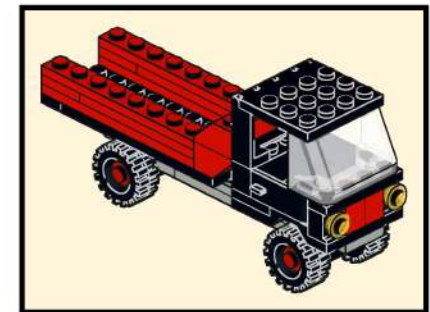
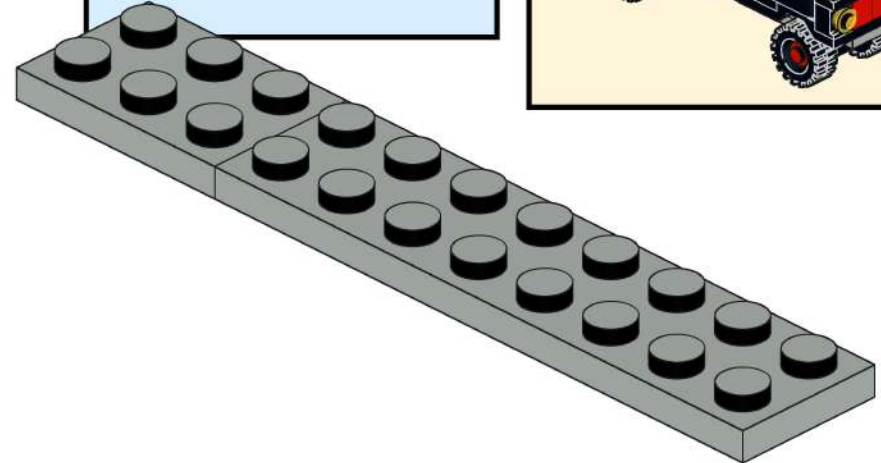
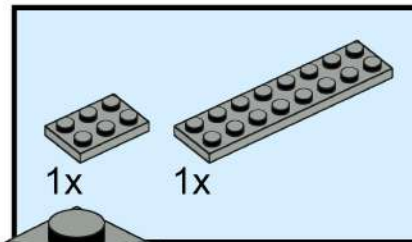
3



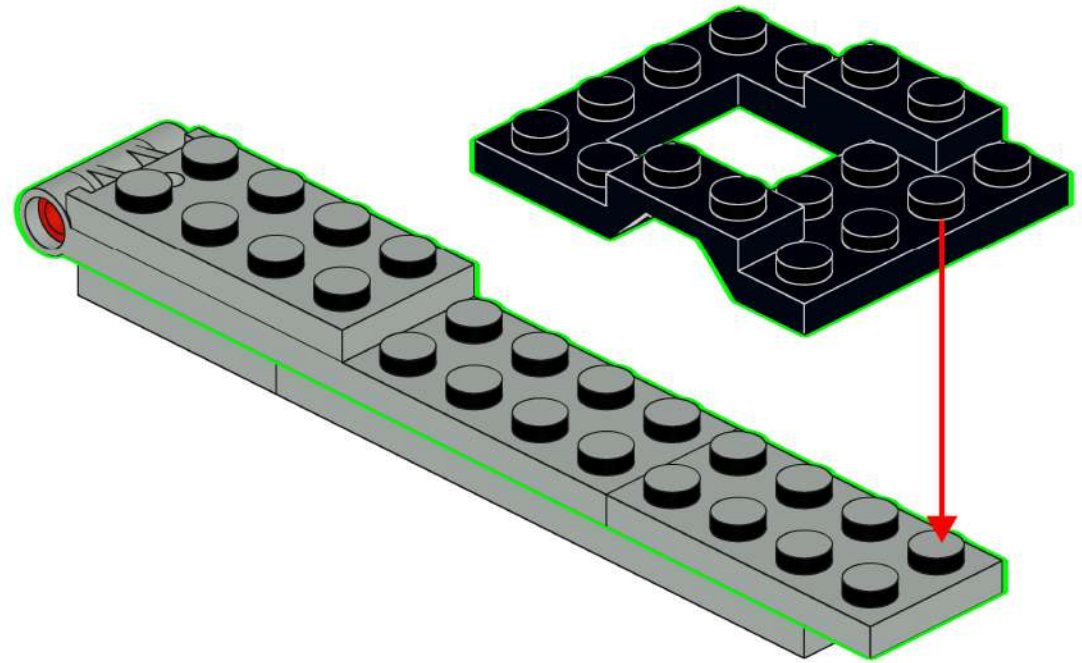
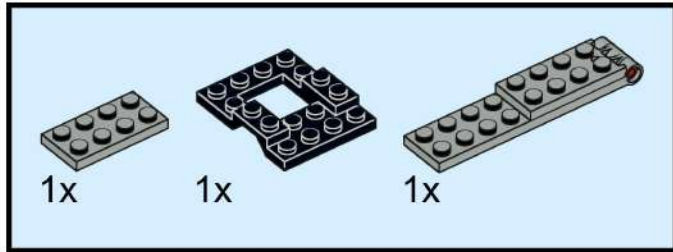
2



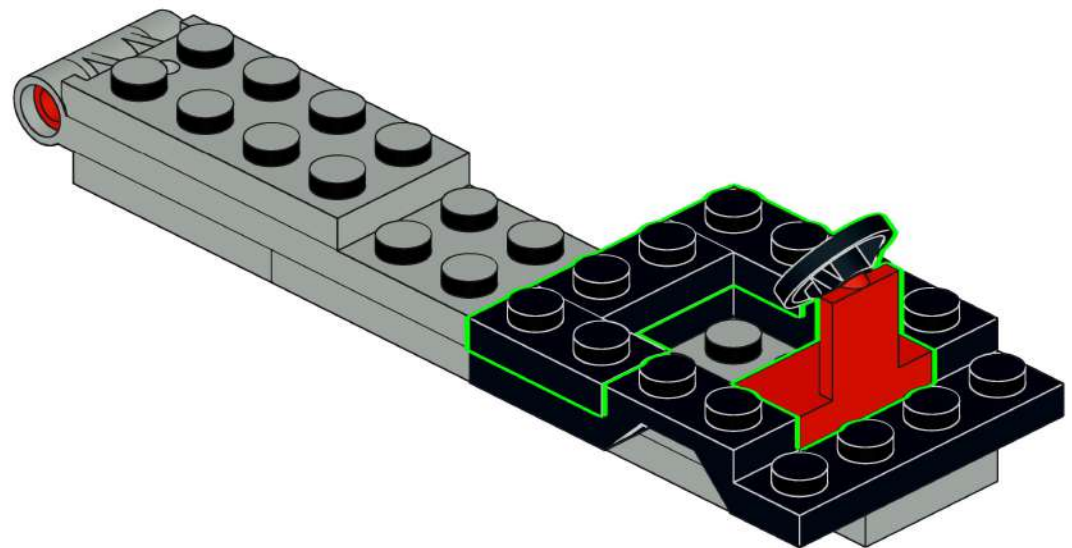
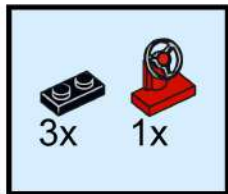
4



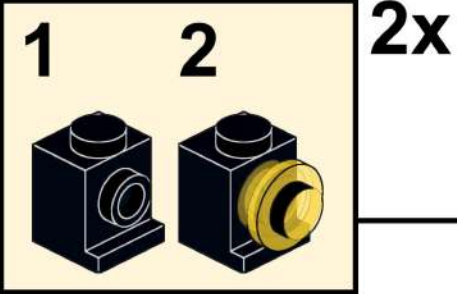
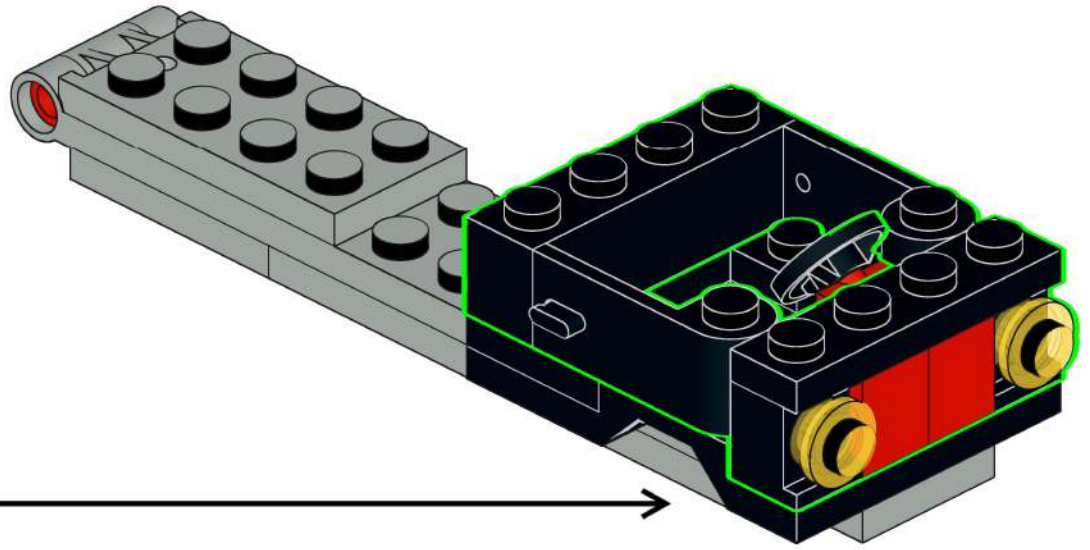
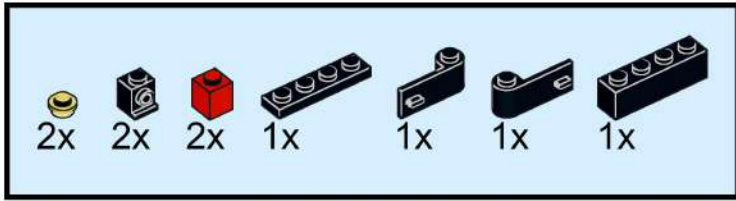
5



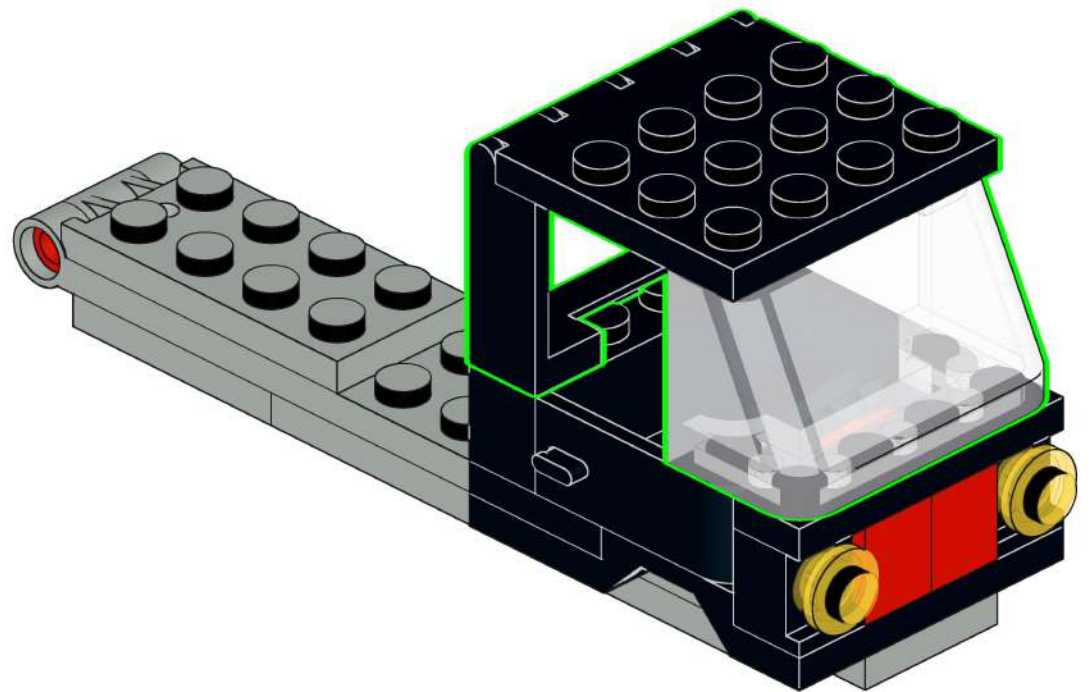
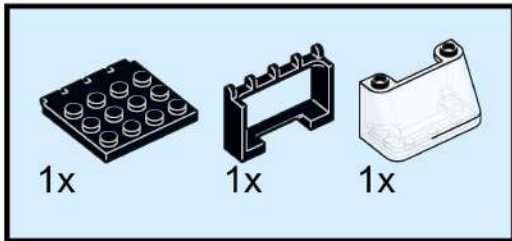
6



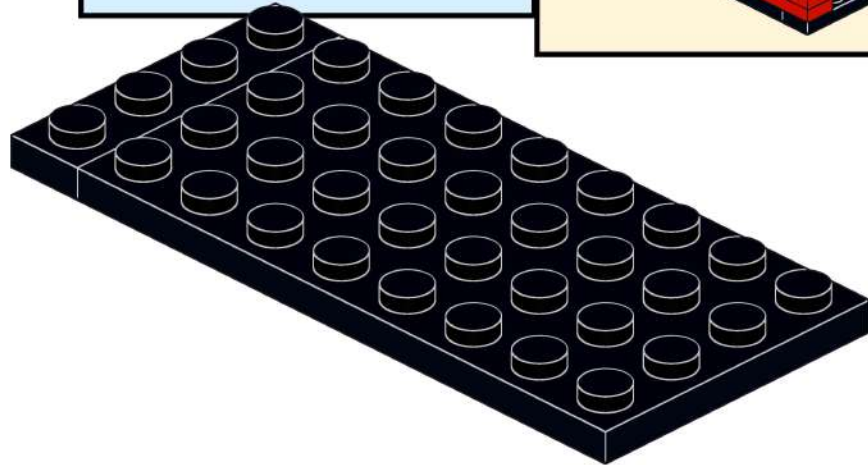
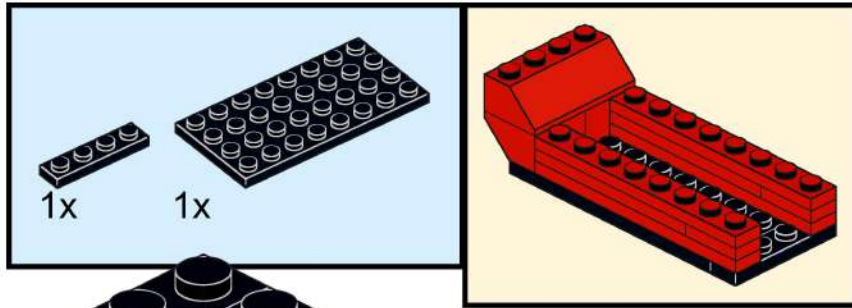
7



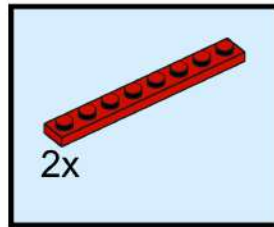
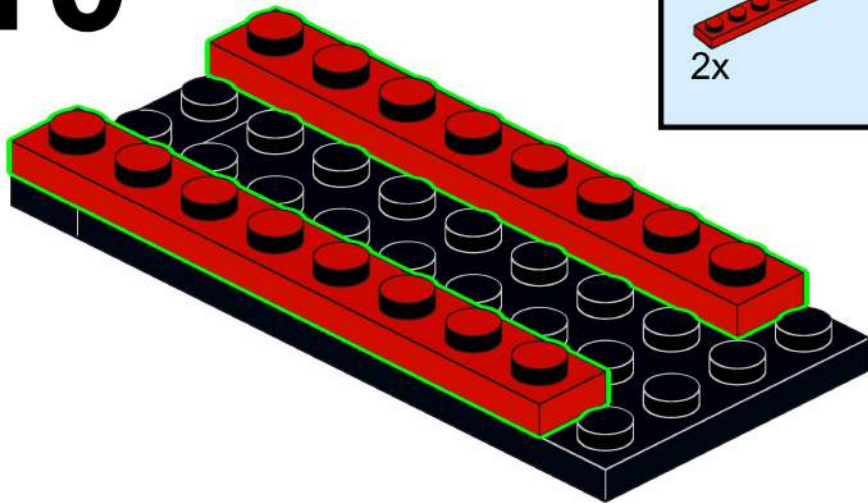
8



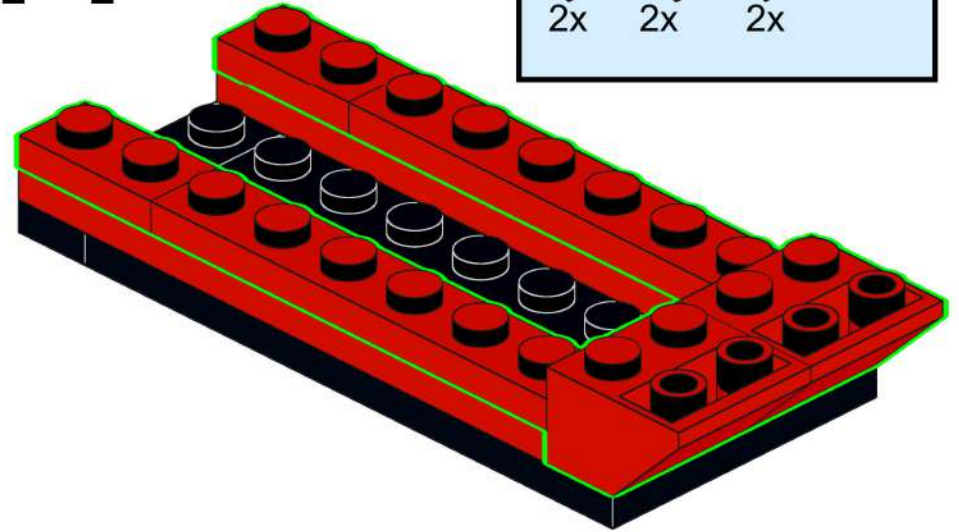
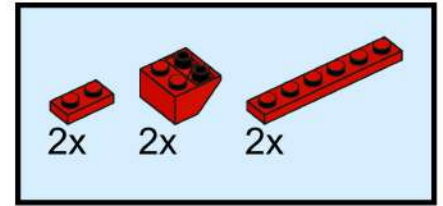
9



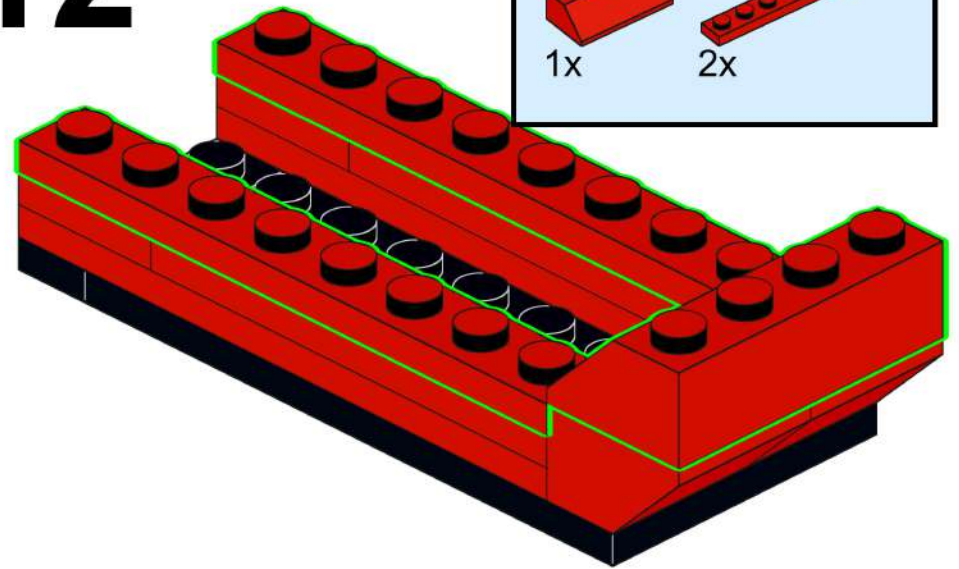
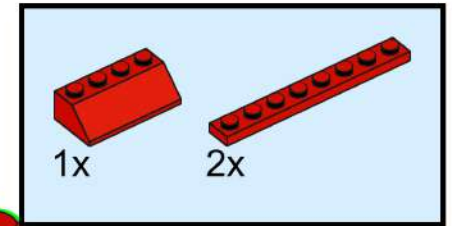
10



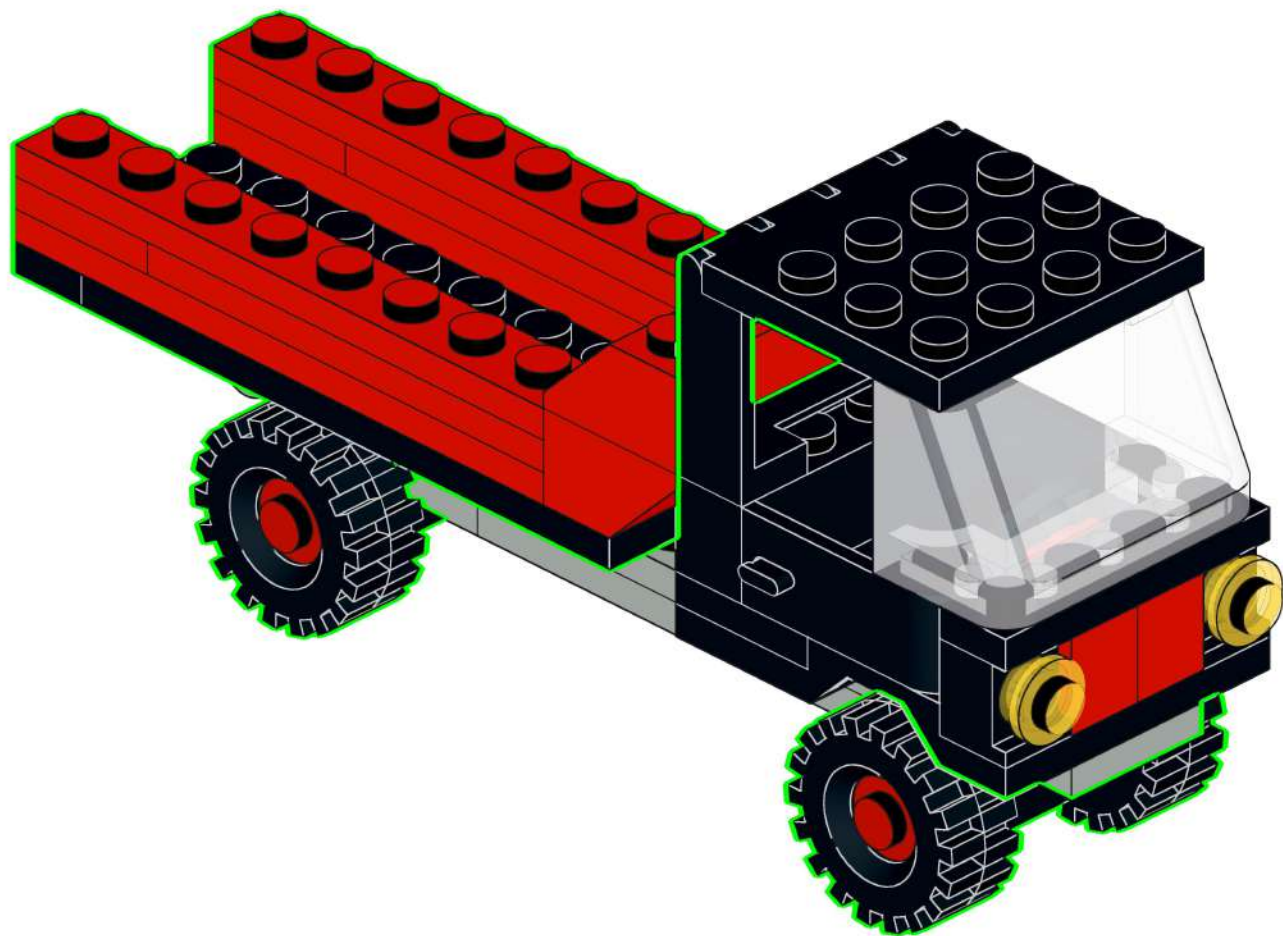
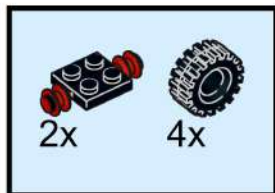
11



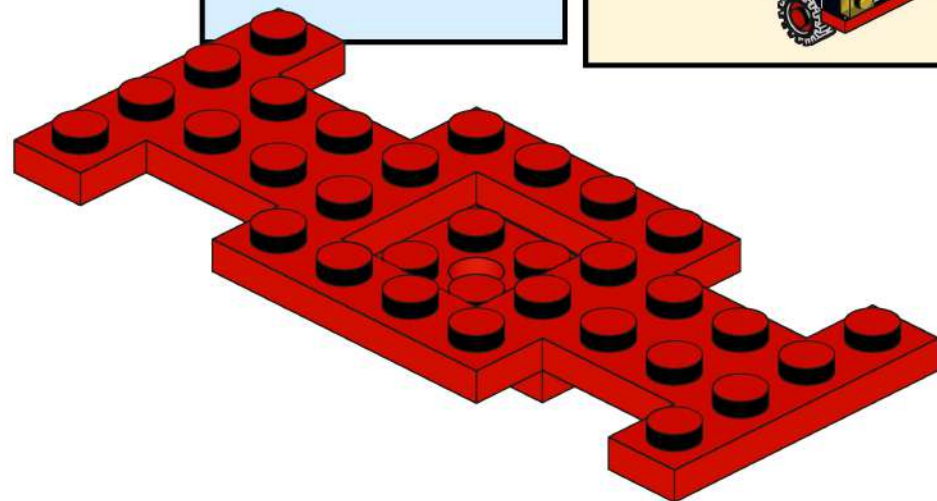
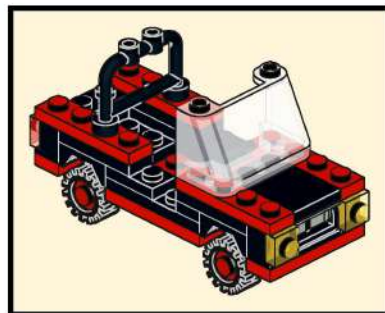
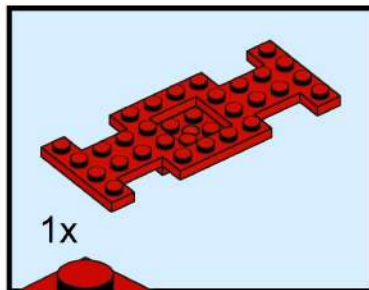
12



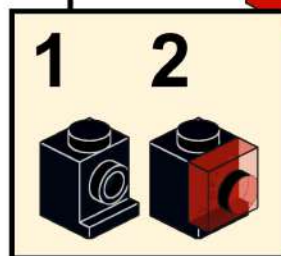
13



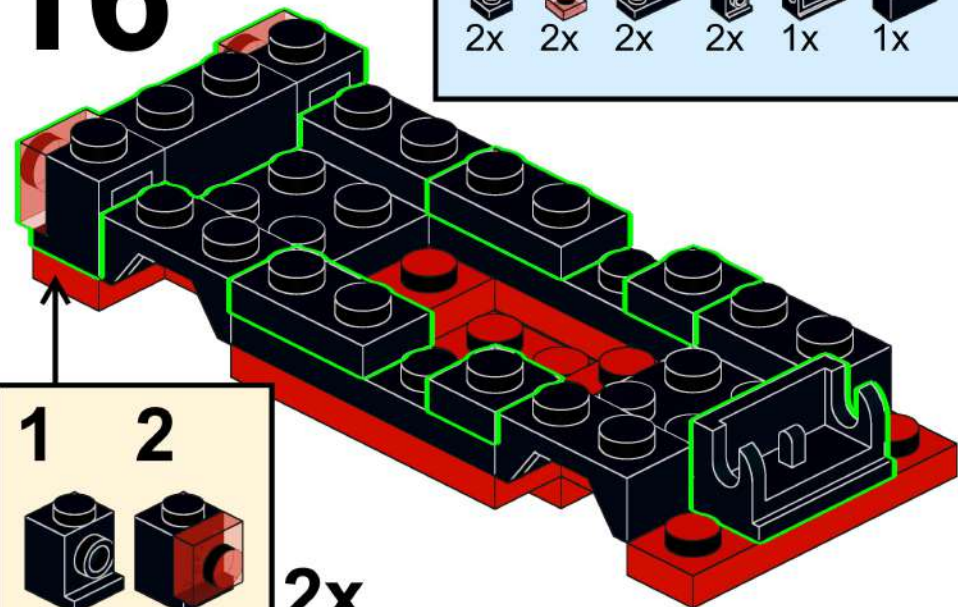
14



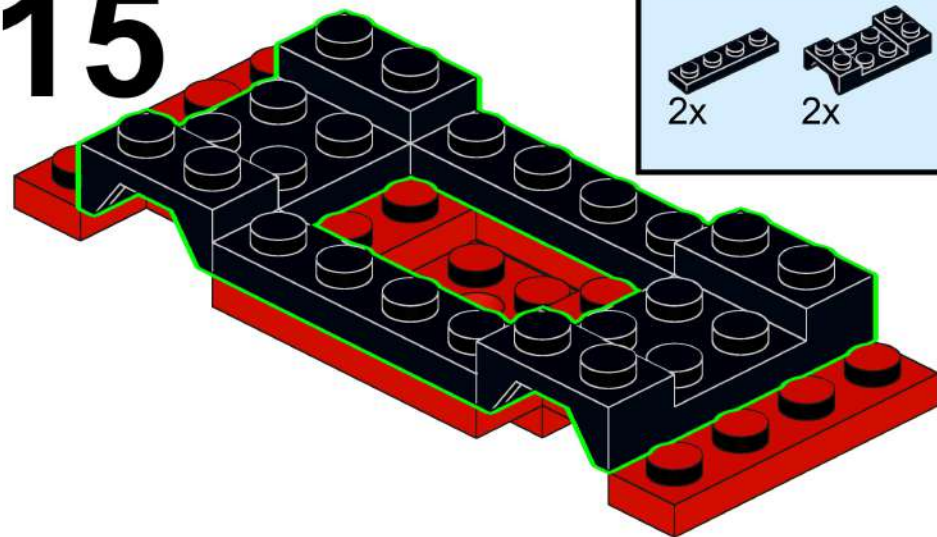
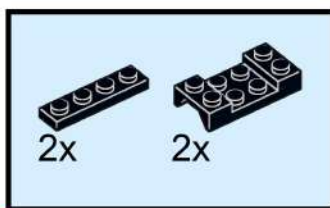
16



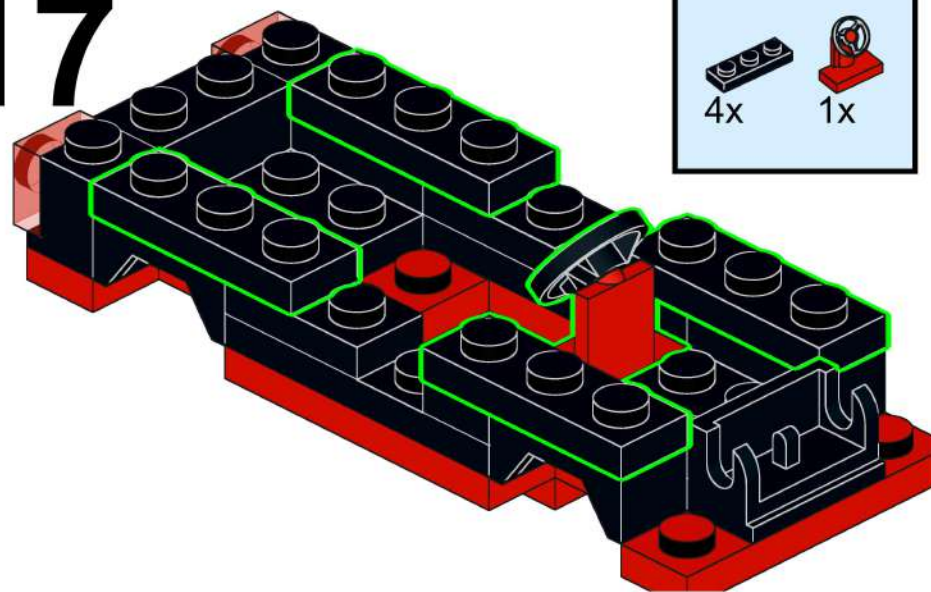
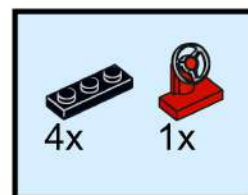
2x



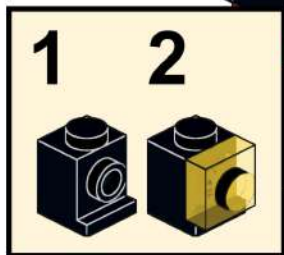
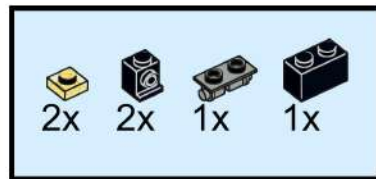
15



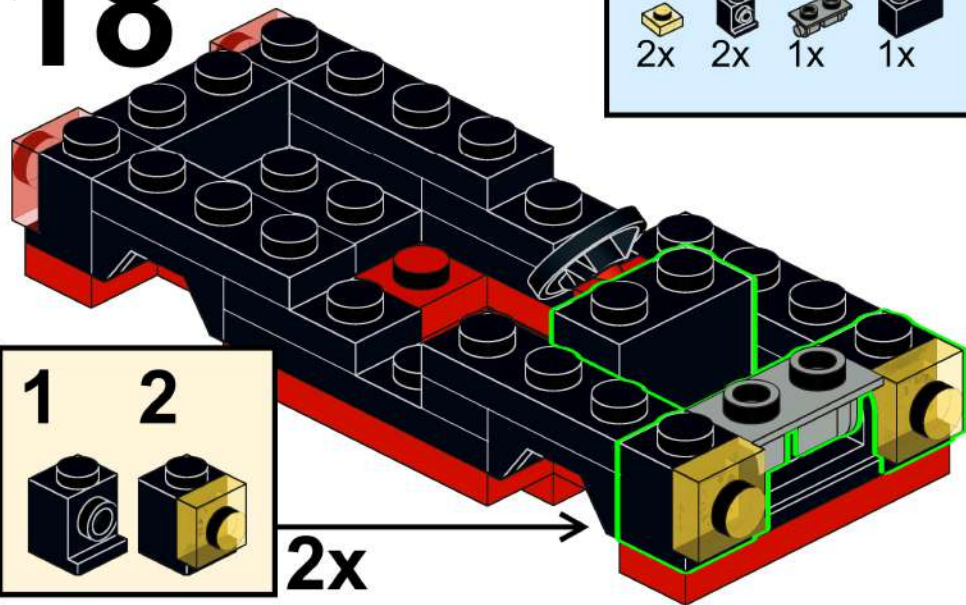
17



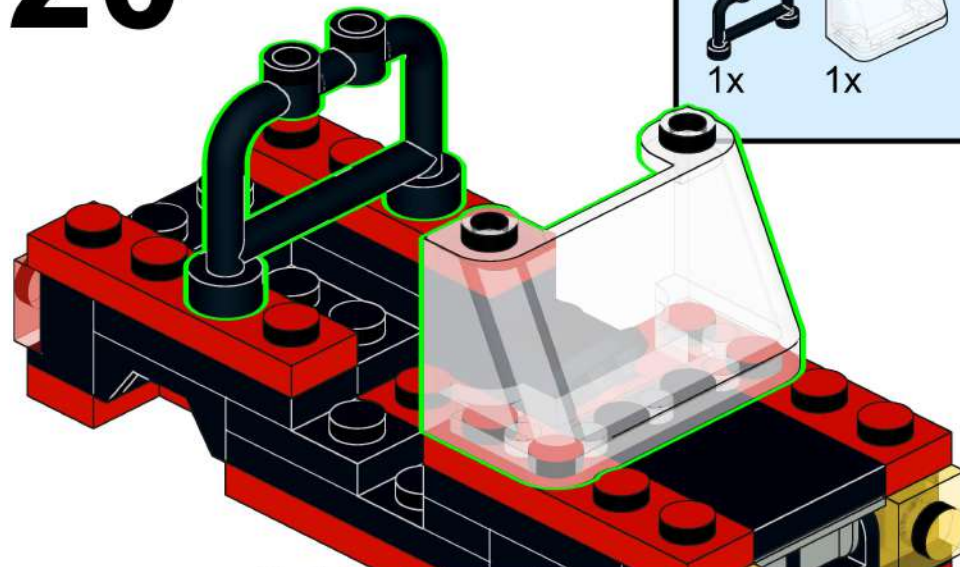
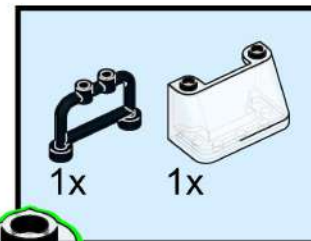
18



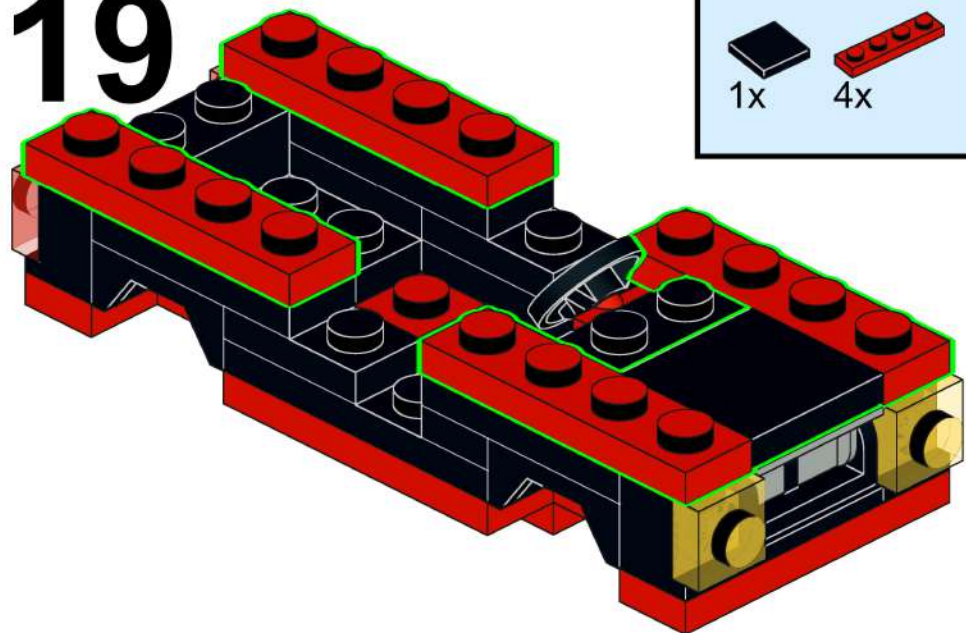
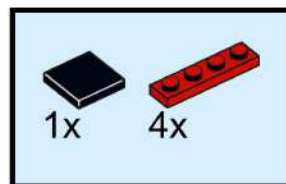
2x



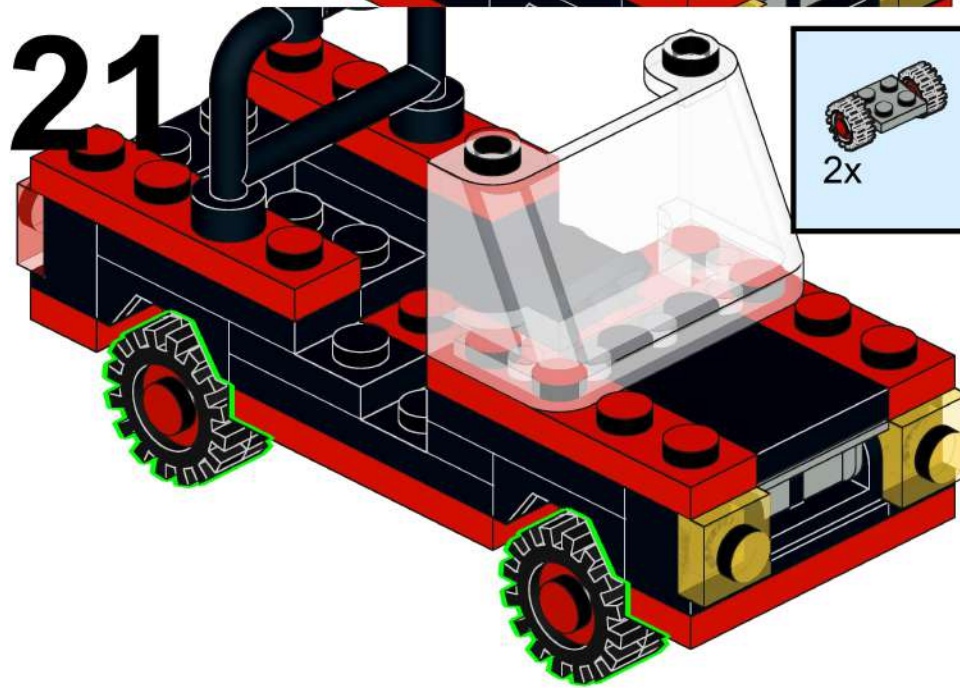
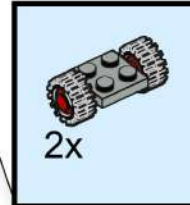
20



19



21



22

