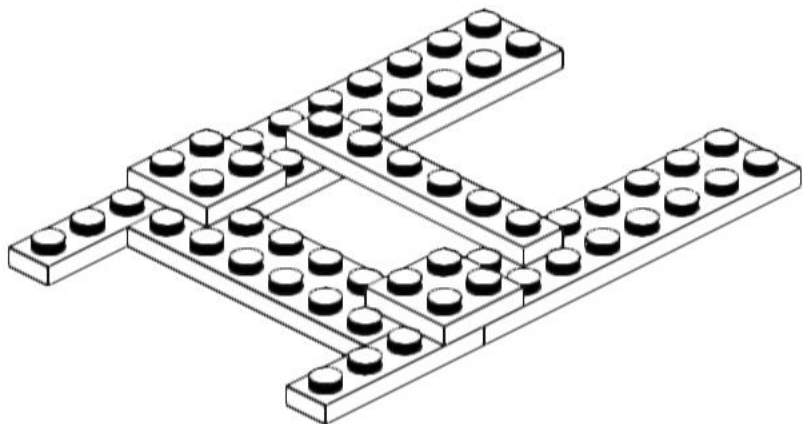
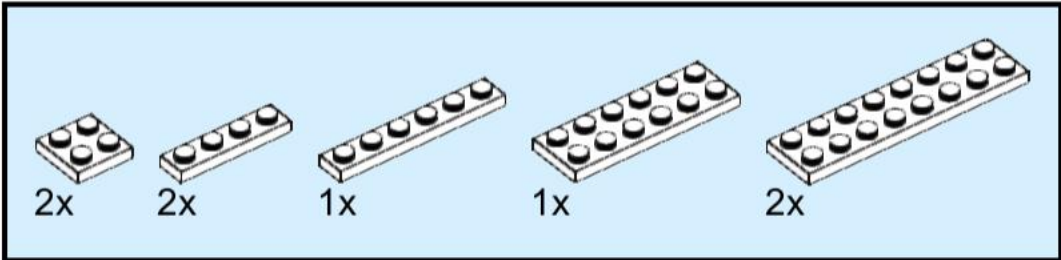
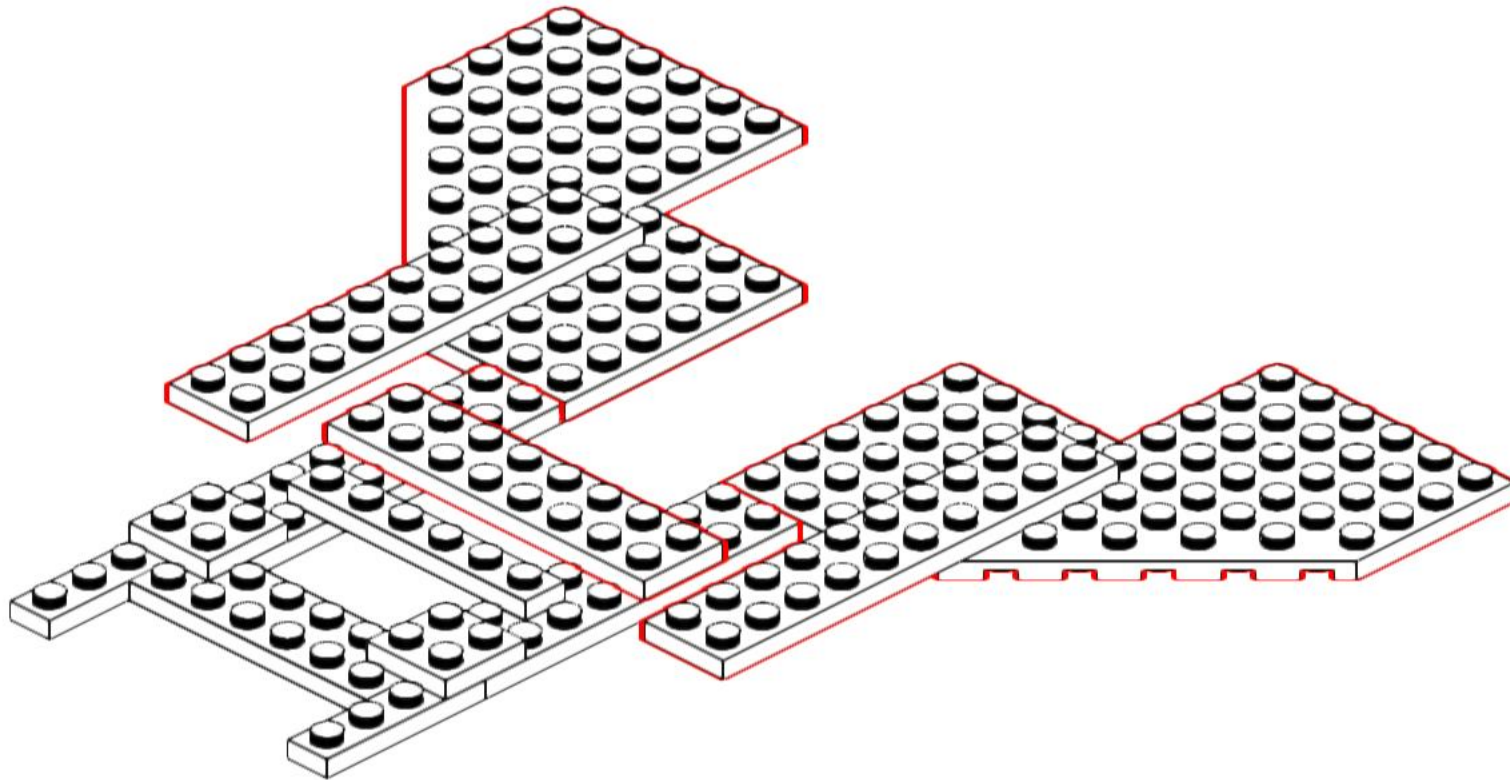
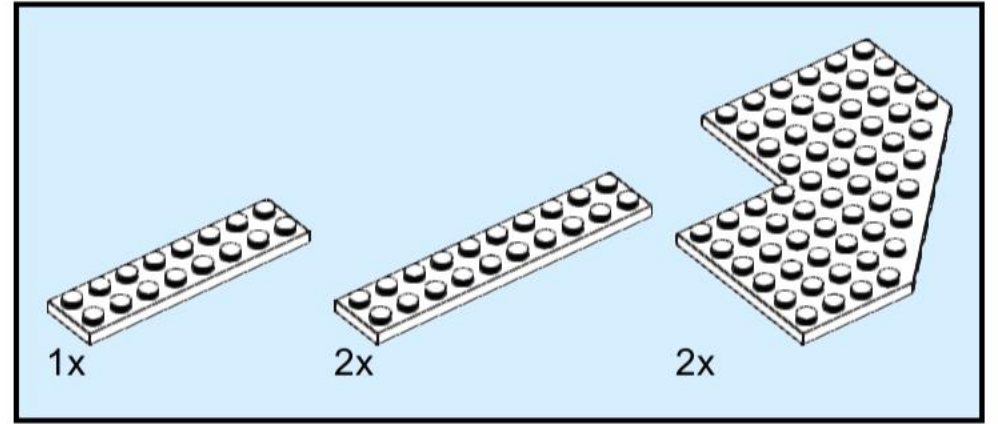


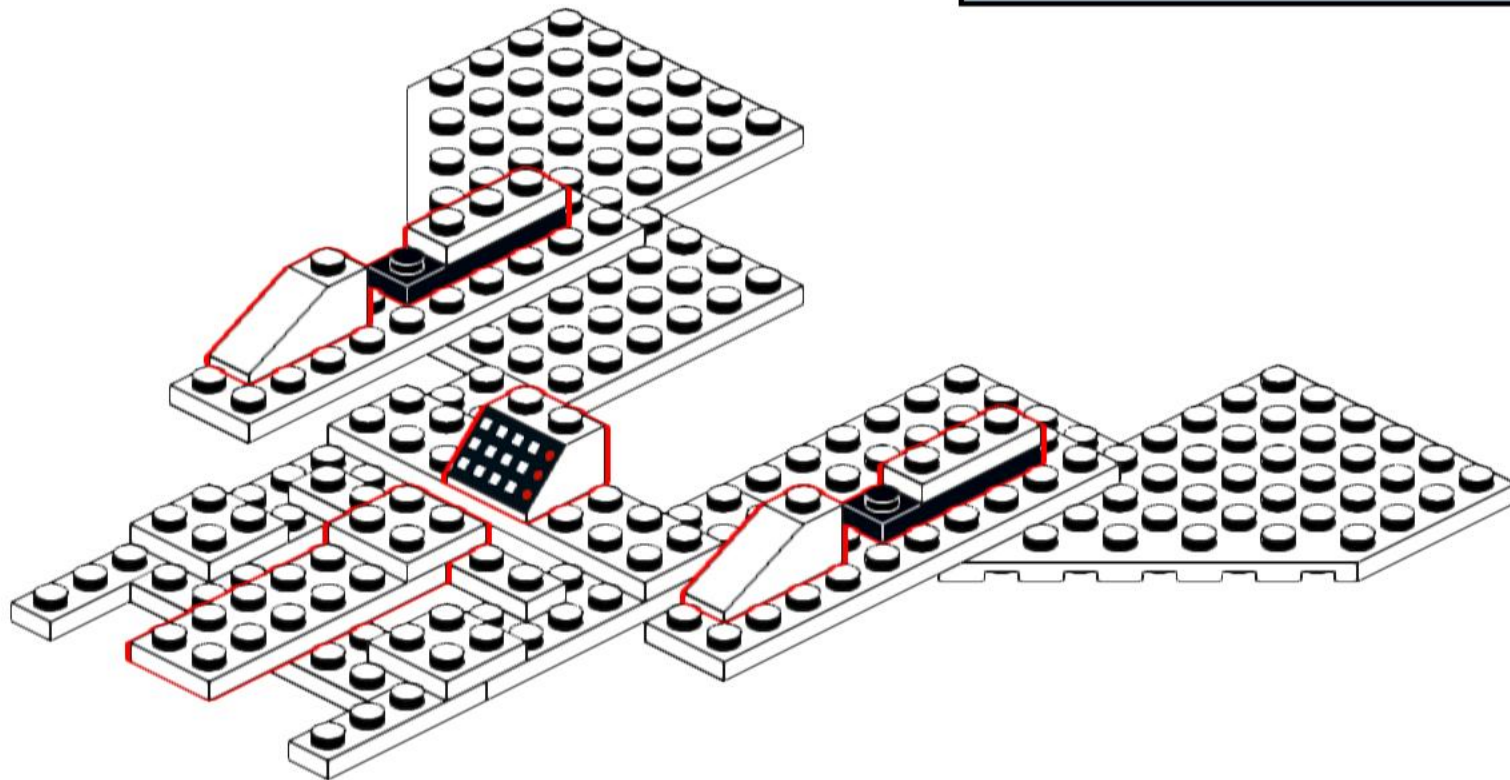
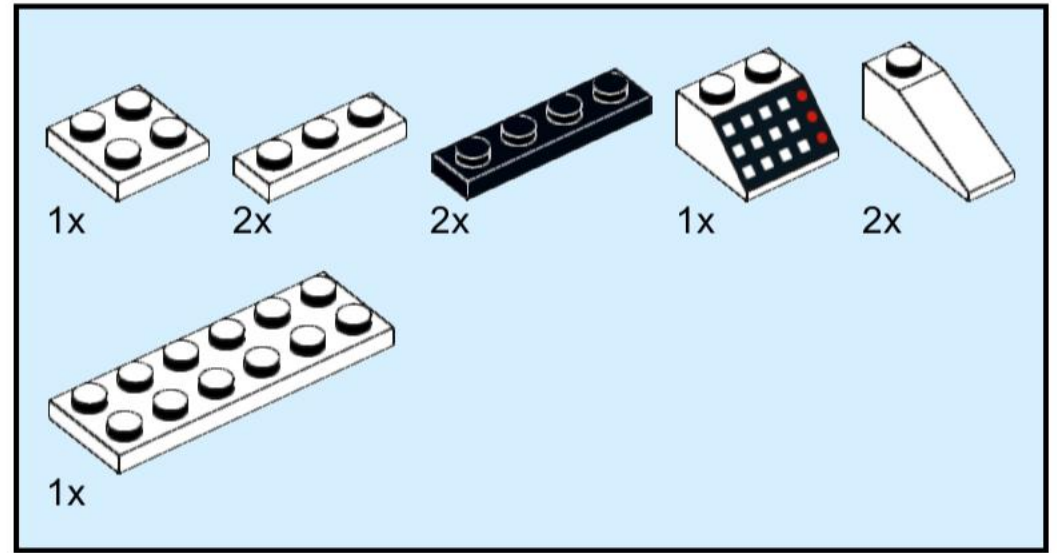
1



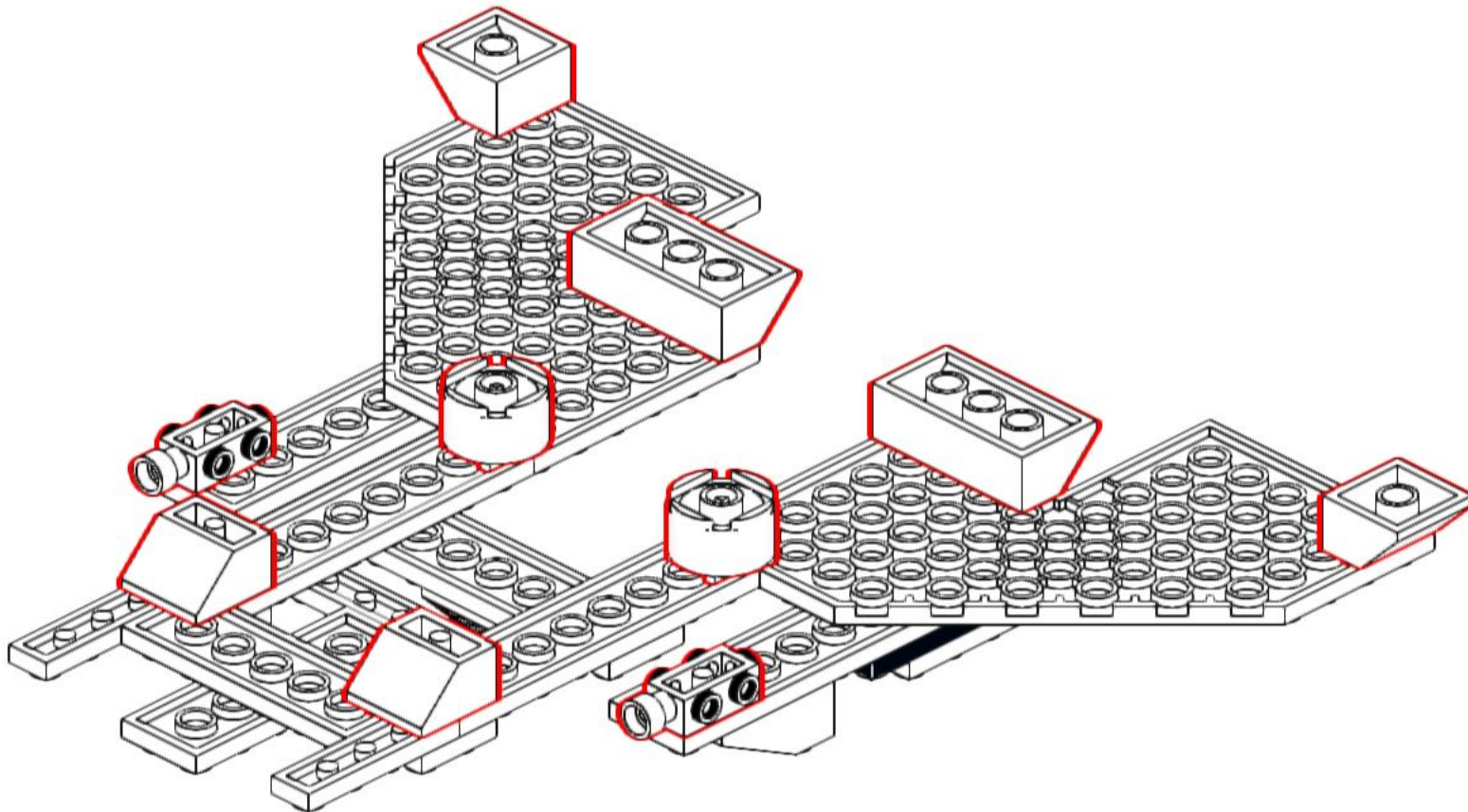
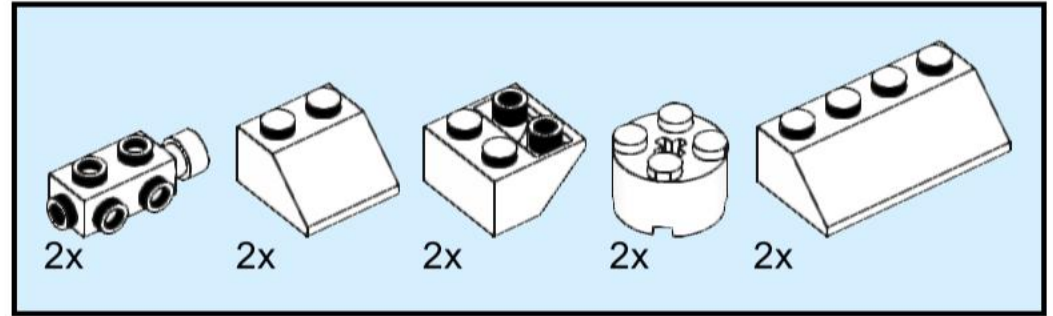
2



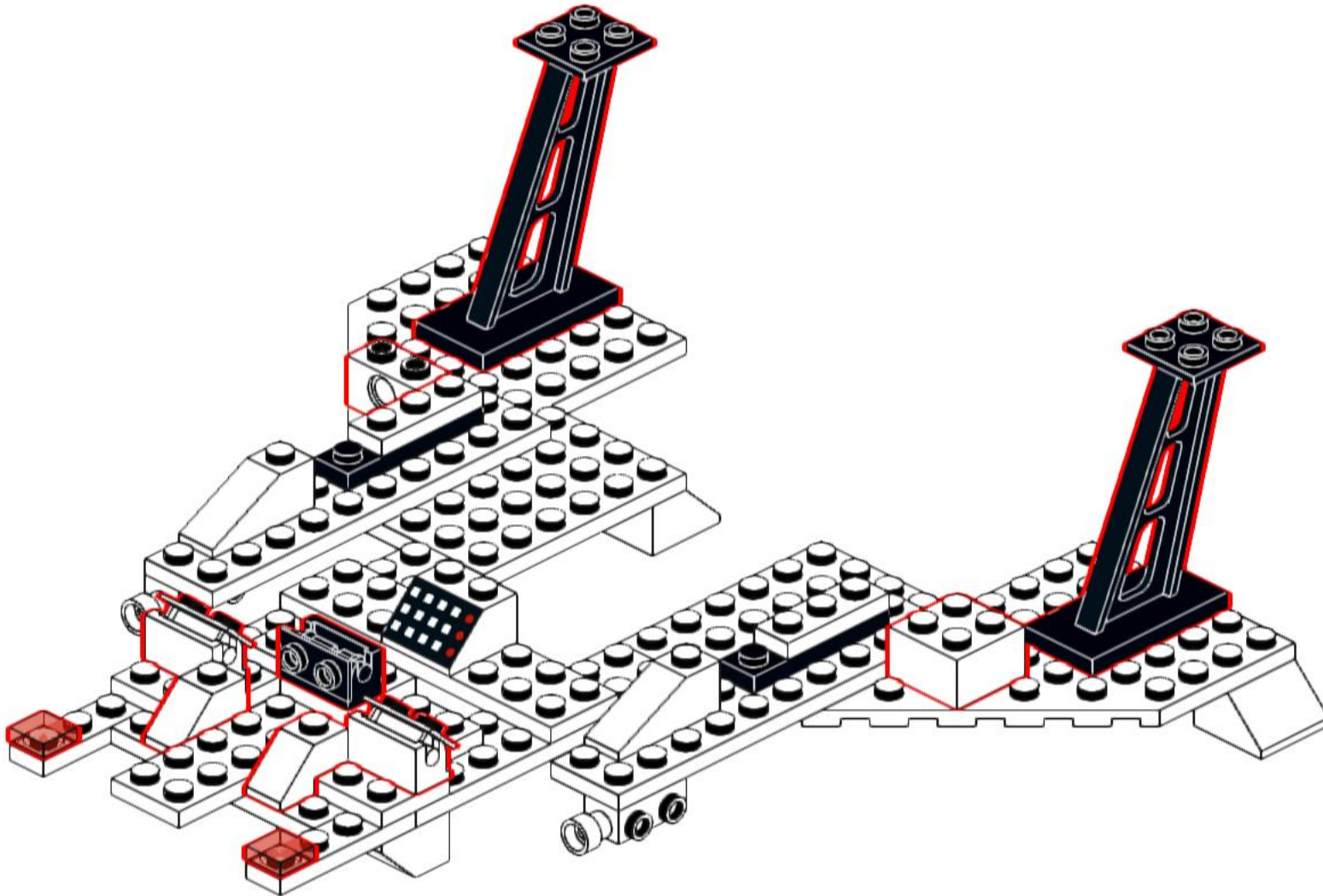
3




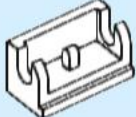
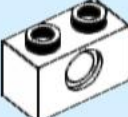
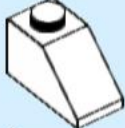

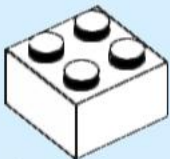



4

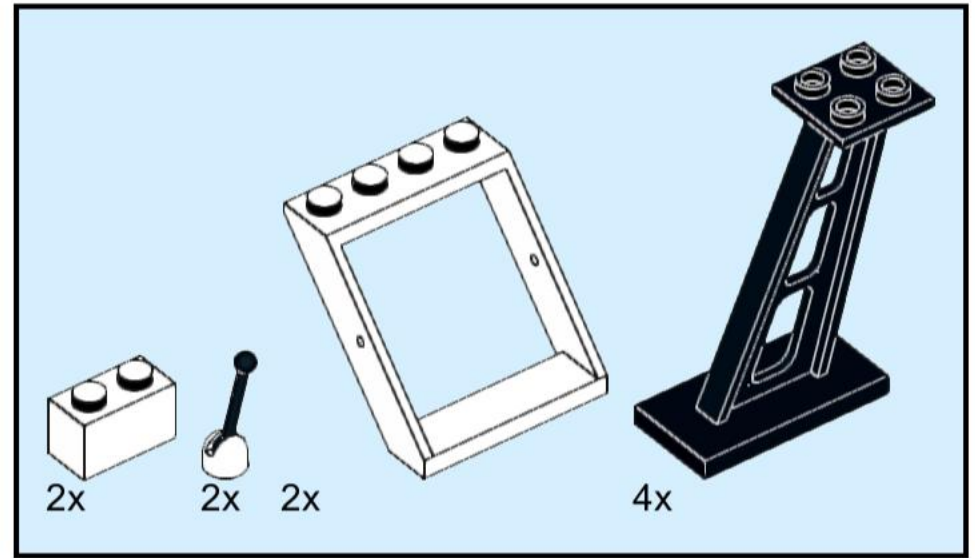
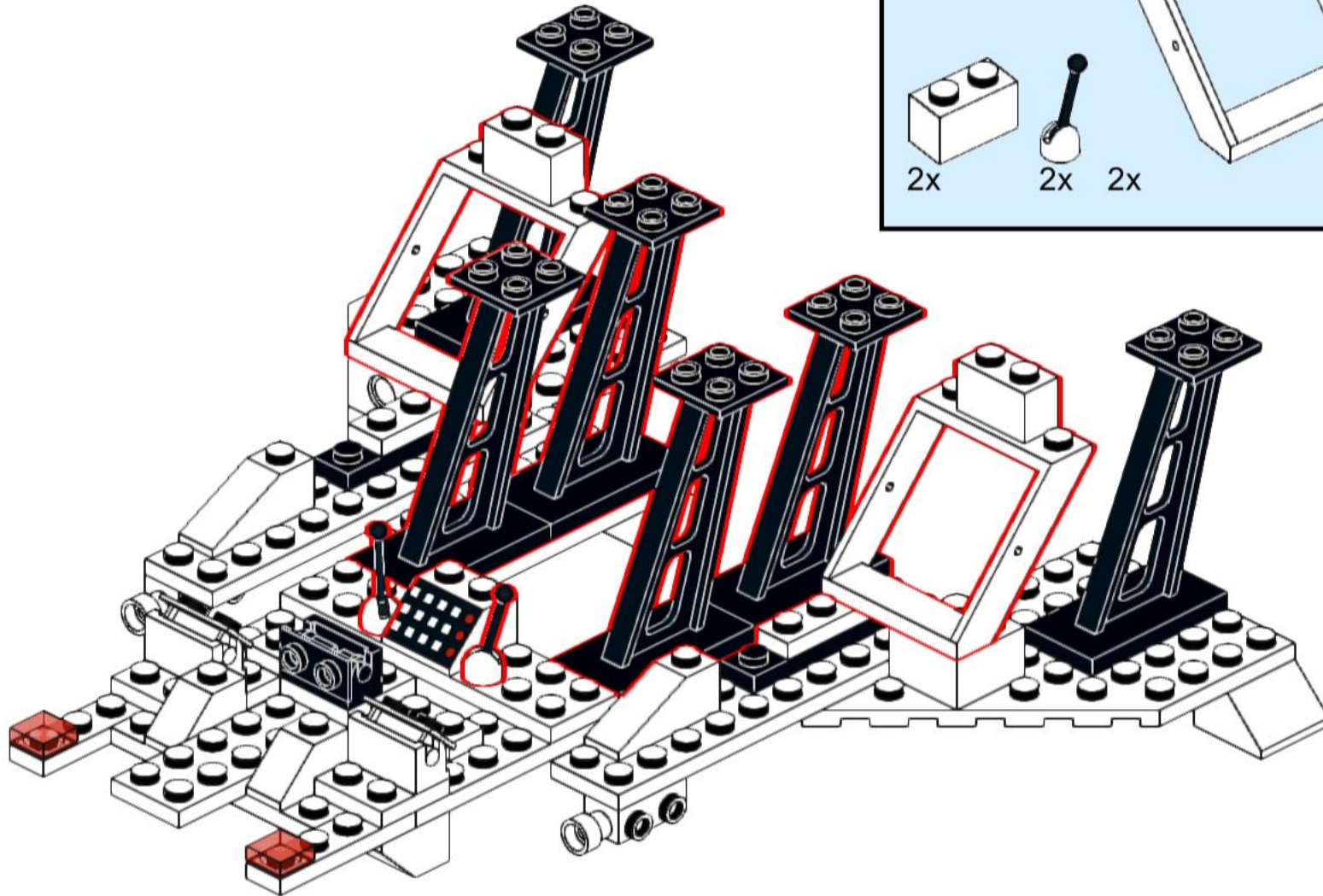


5

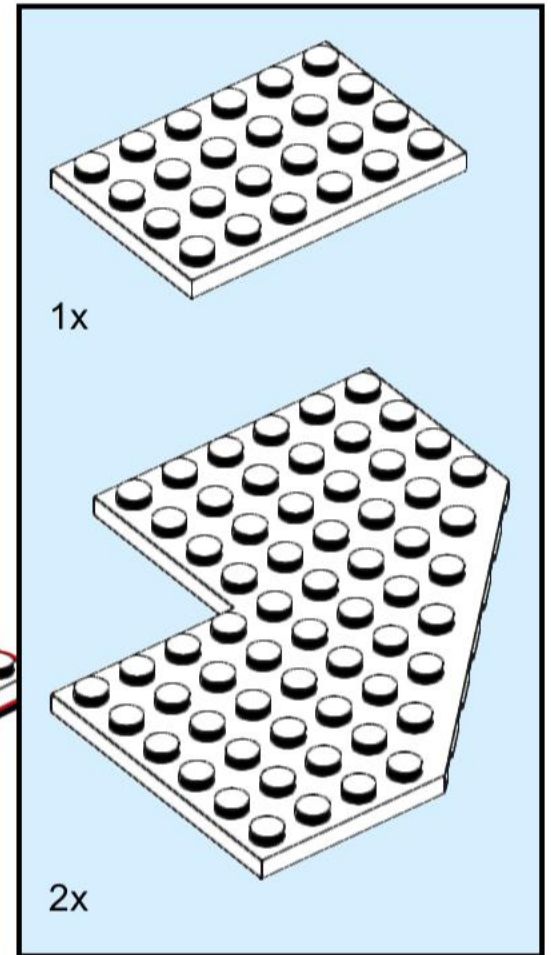
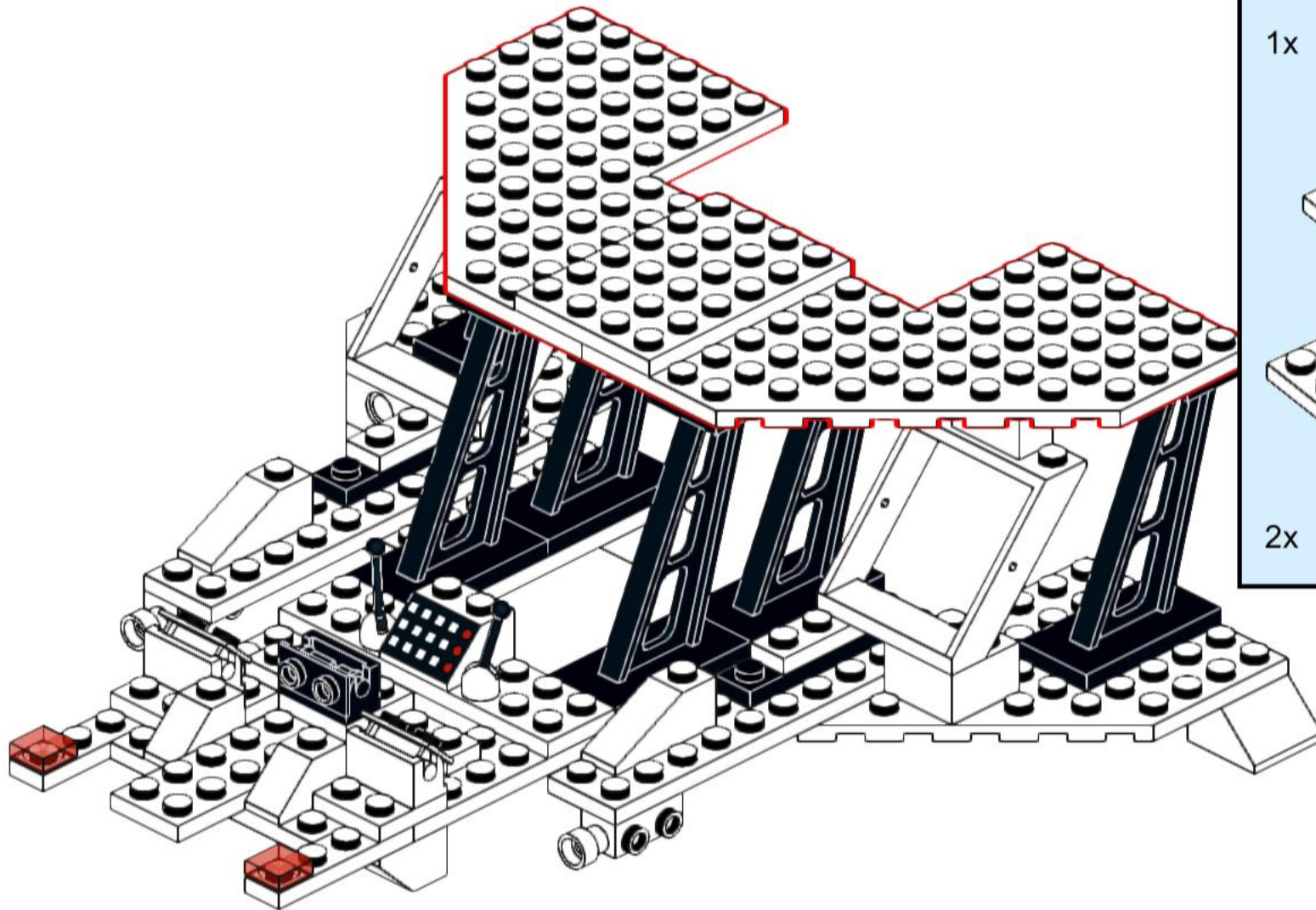


| | |
|--|---|
|  |  |
| 2x | 1x |
|  |  |
| 1x | 2x |
|  |  |
| 1x | 2x |
|  |  |
| 2x | 1x |
|  | |
| 2x | |

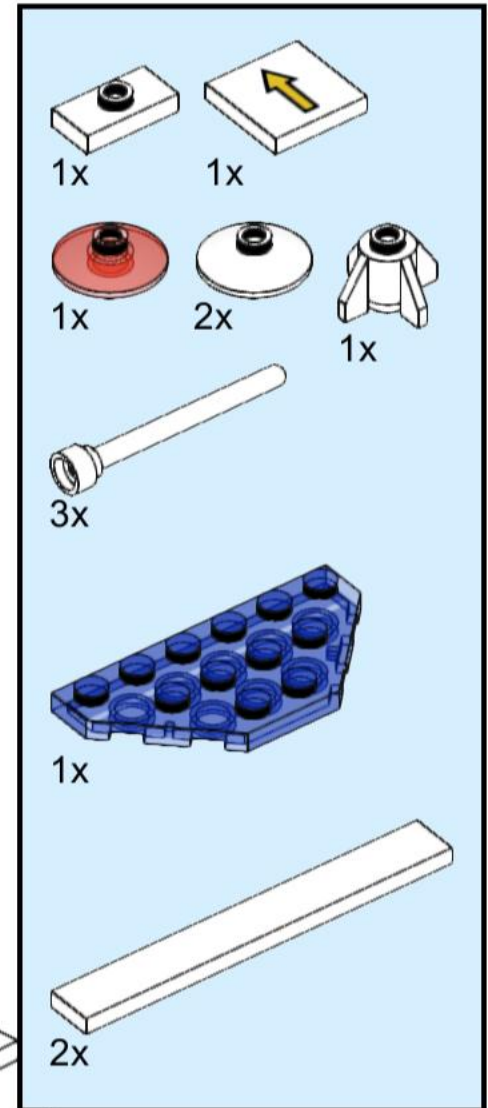
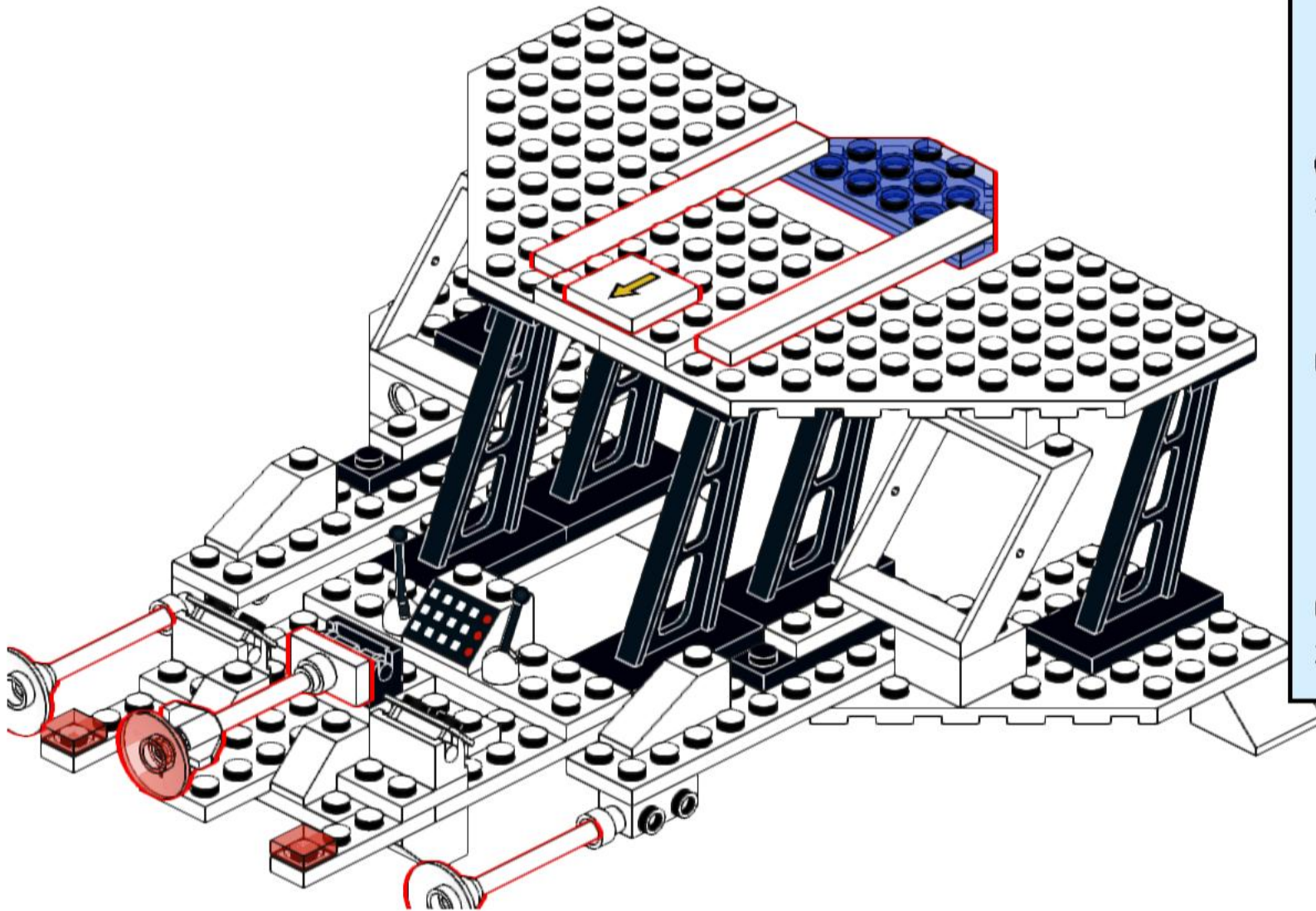
6



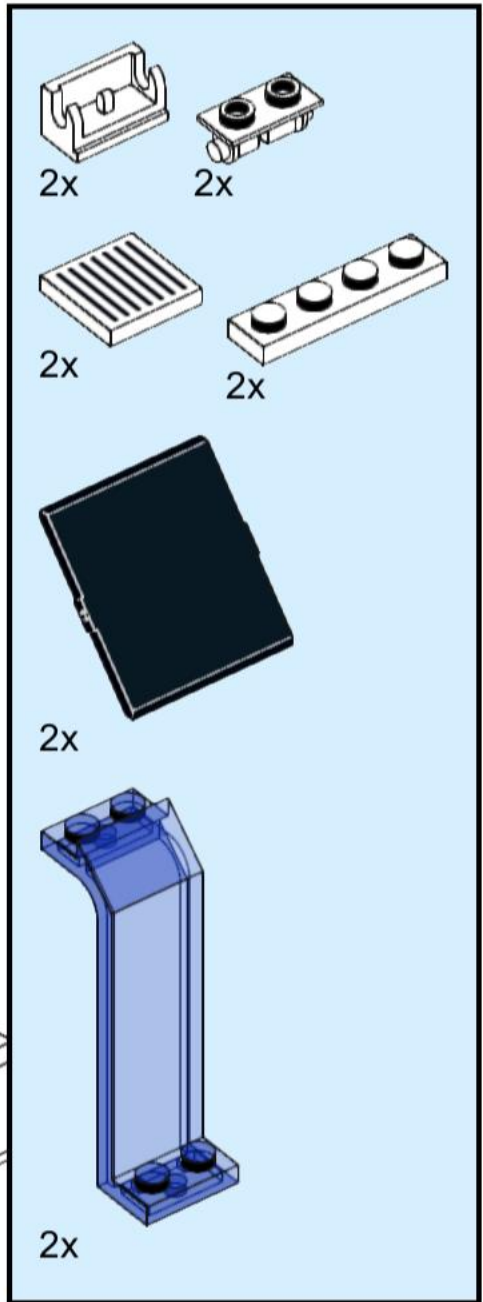
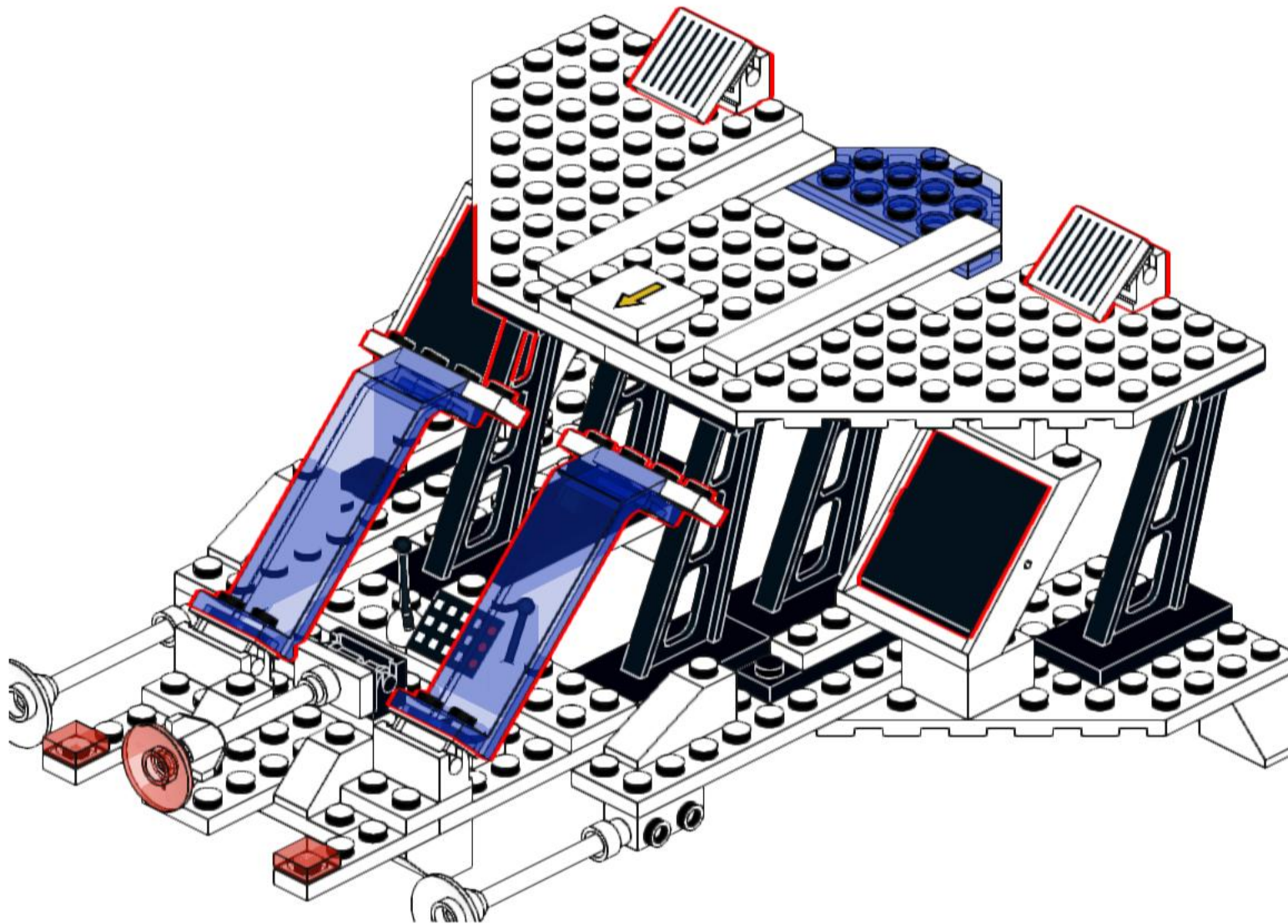
7



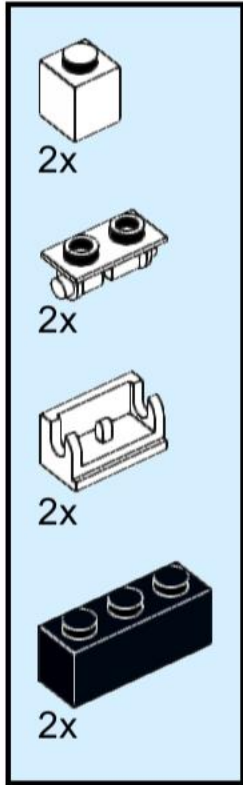
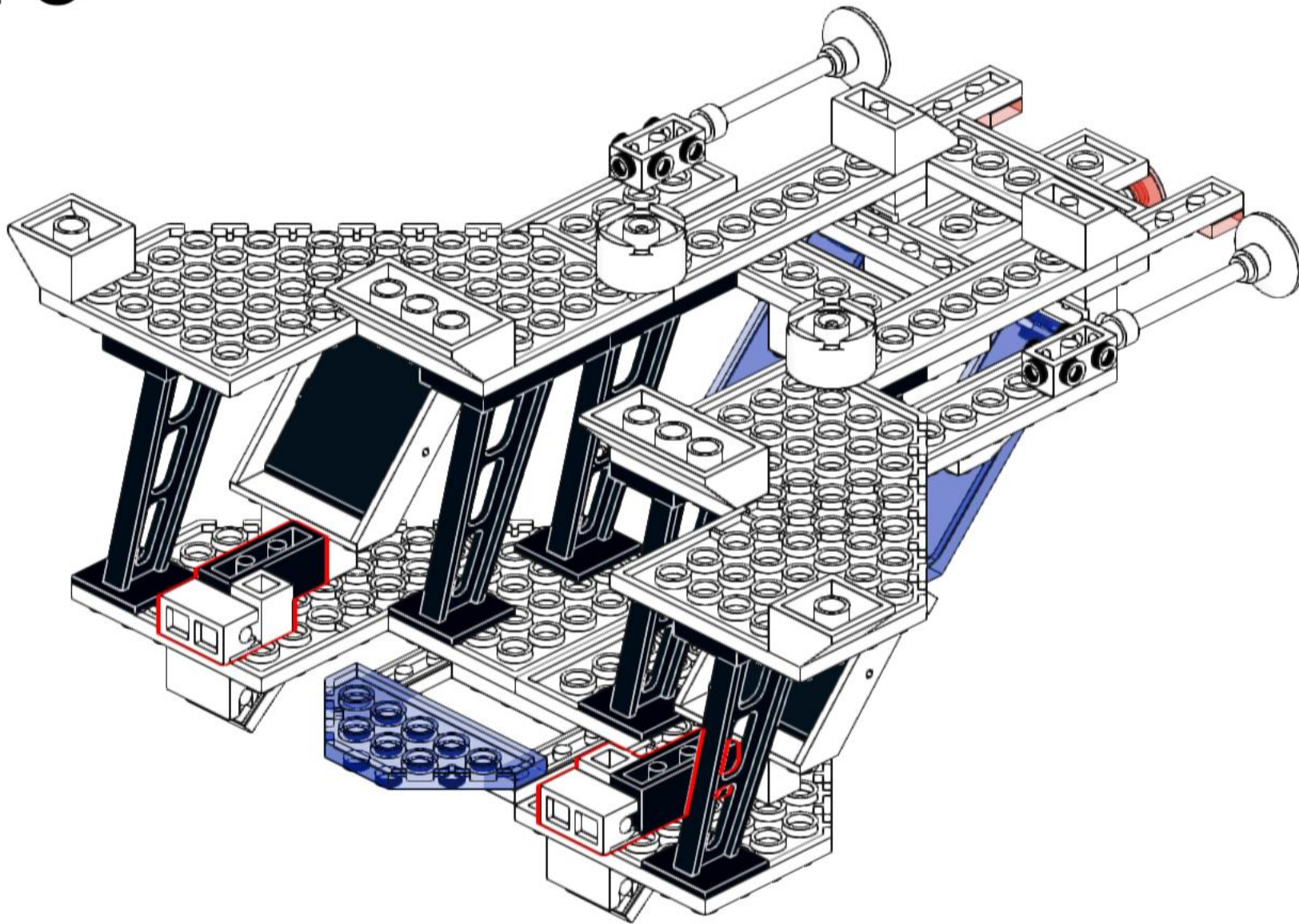
8



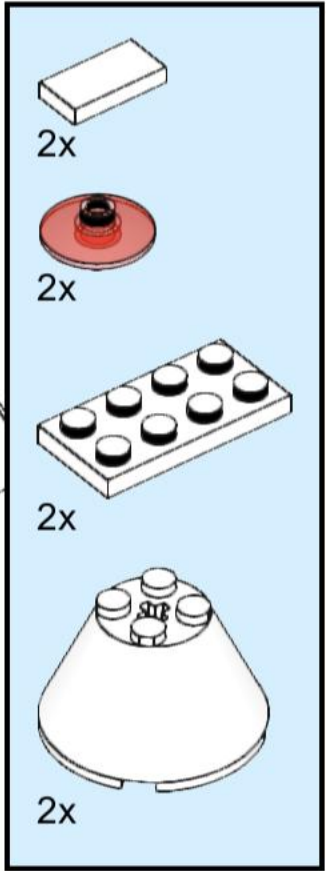
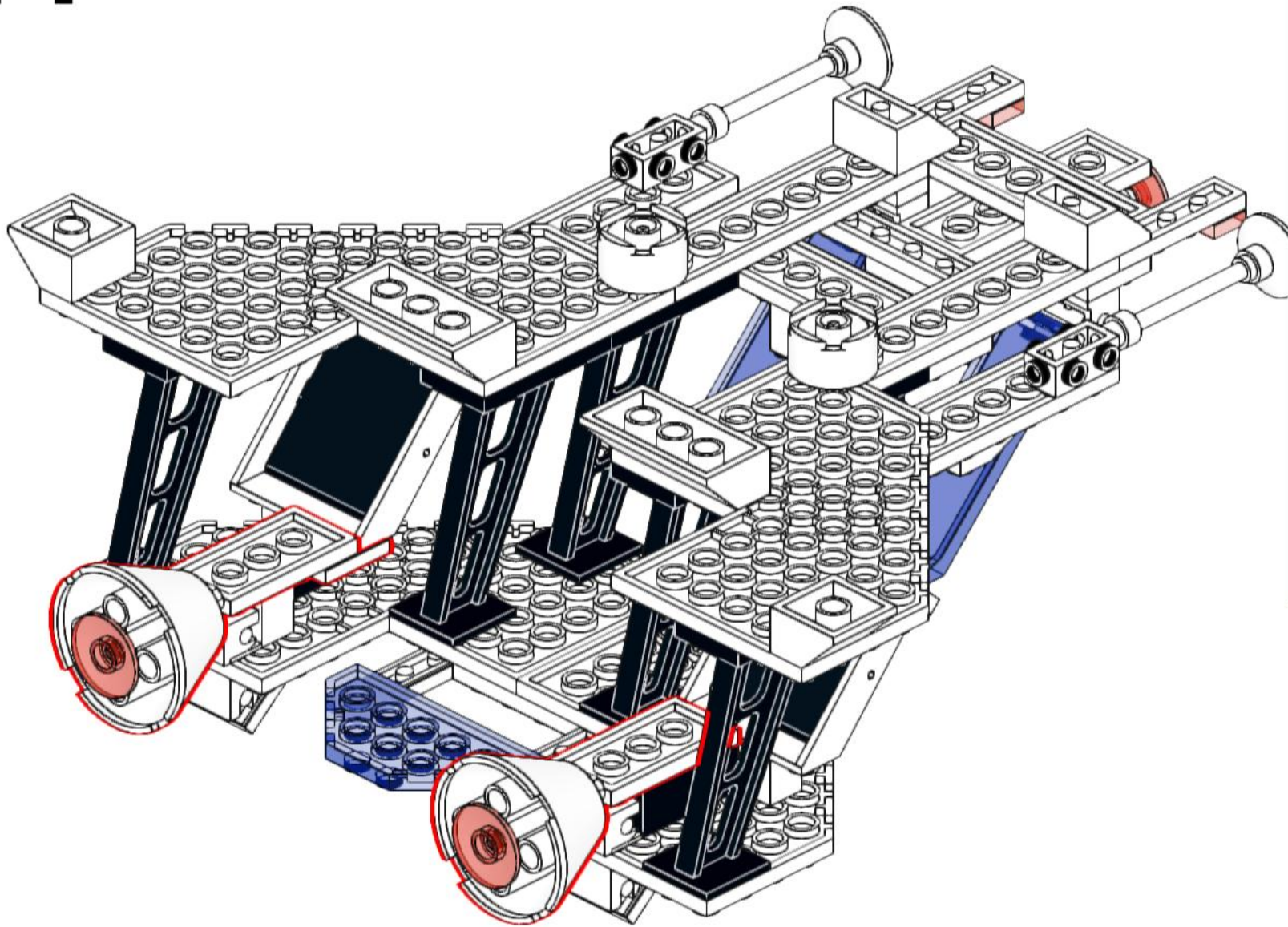
9



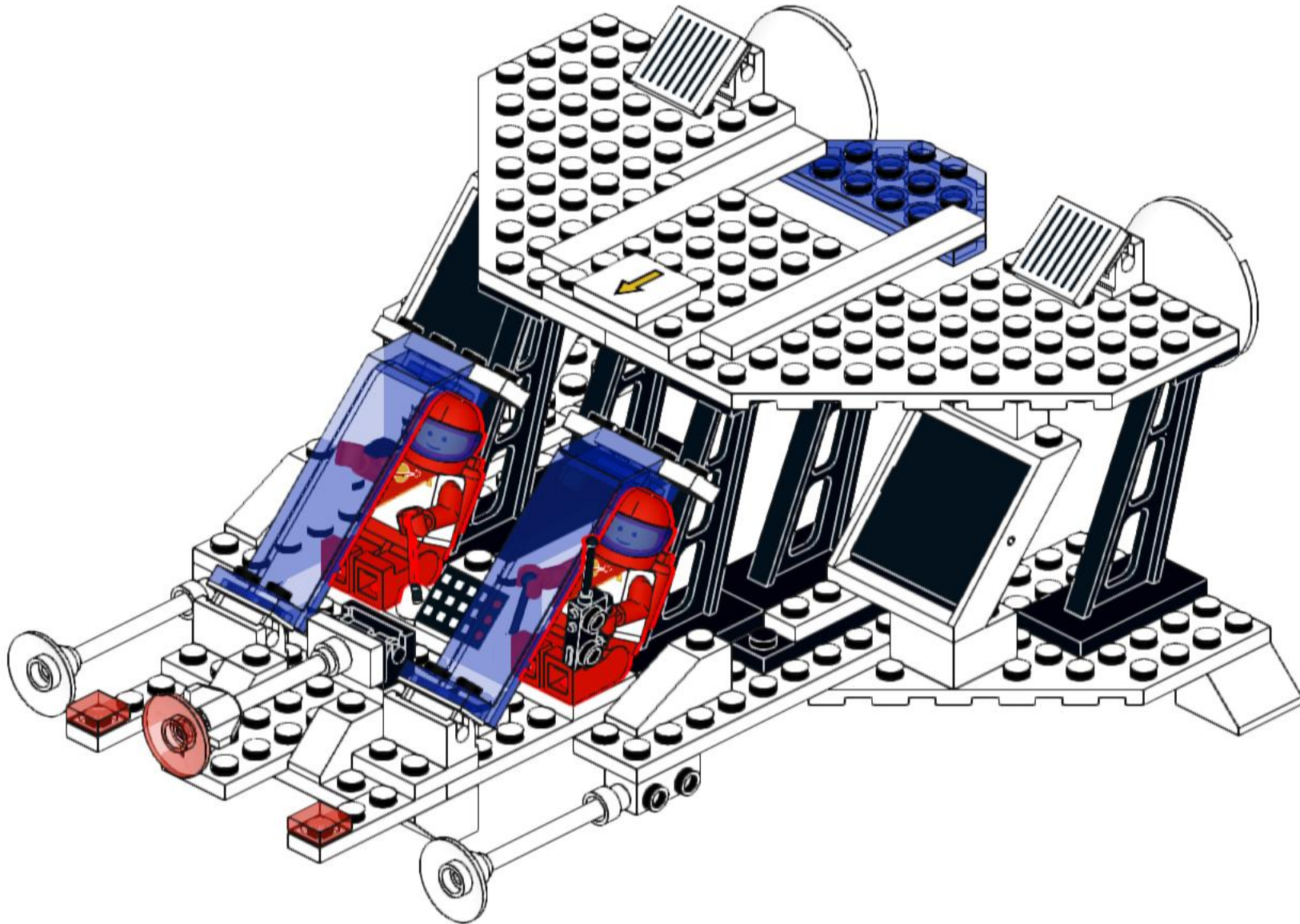
10



11

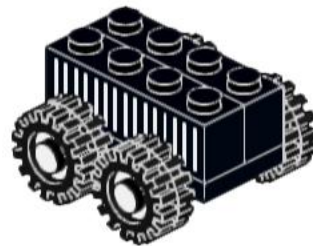
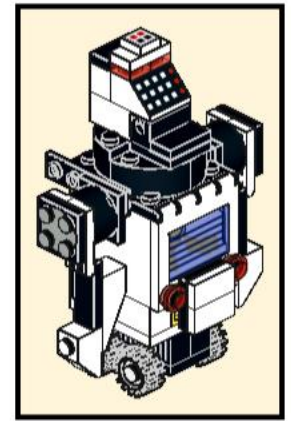
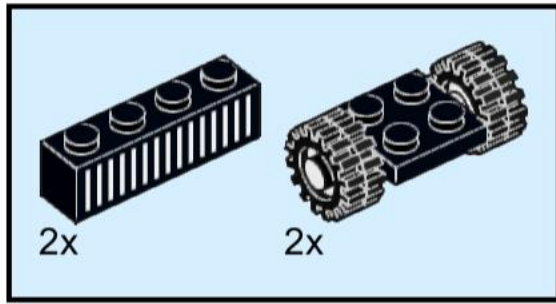


12

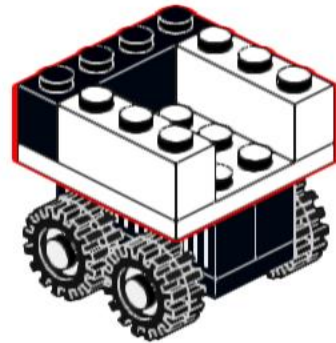
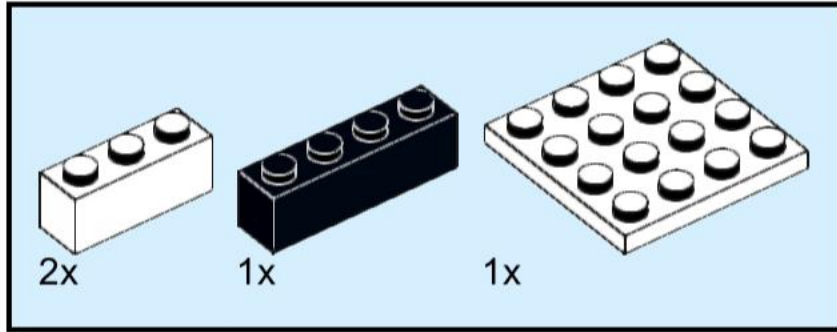


- 4x
- 2x
- 2x
- 2x
- 2x
- 2x
- 2x
- 2x
- 1x
- 2x

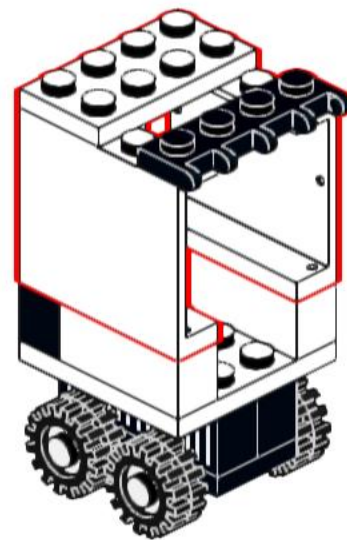
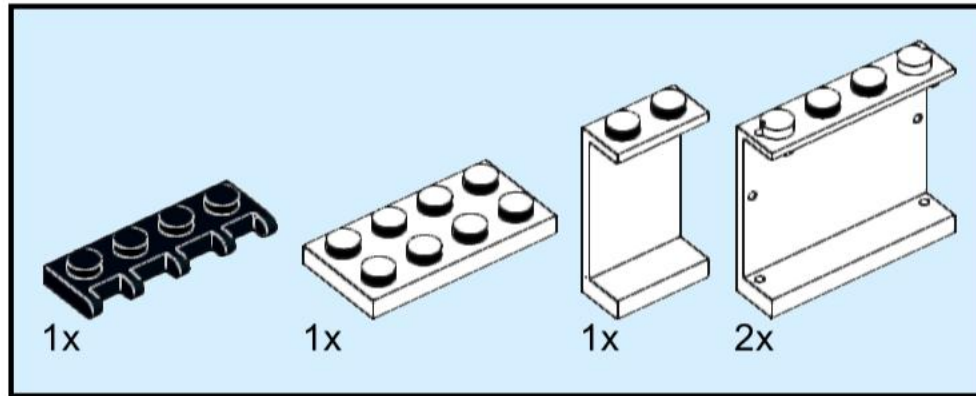
13



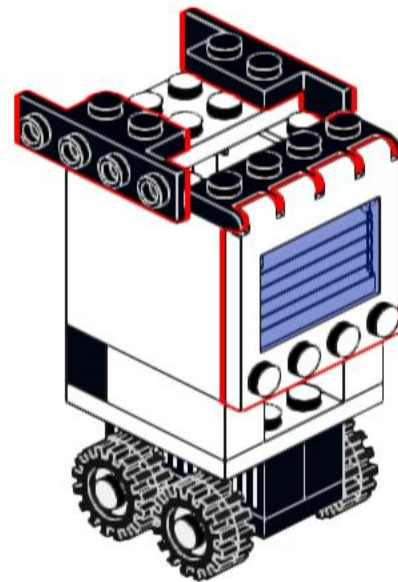
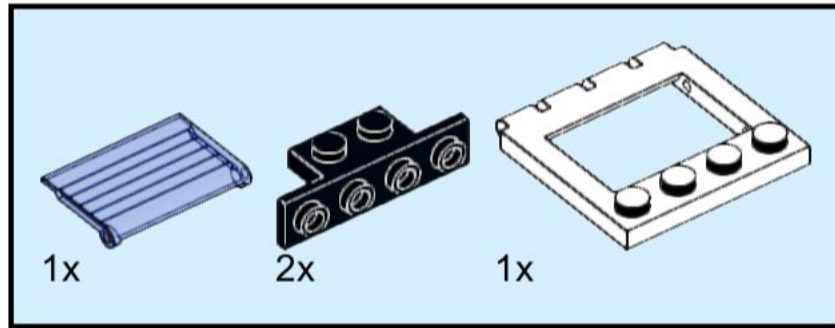
14



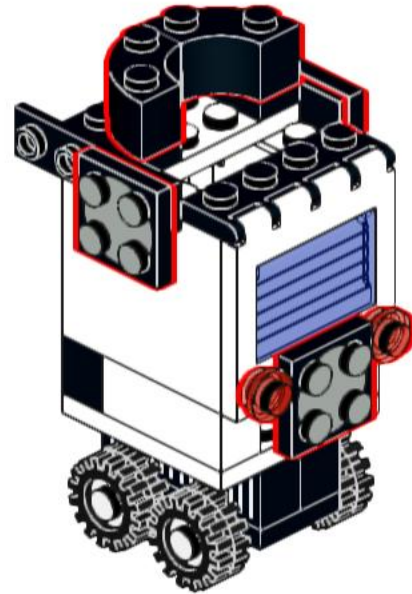
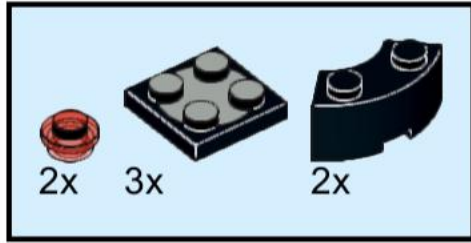
15



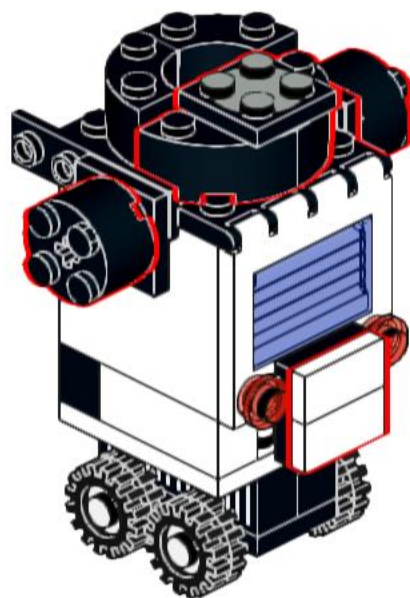
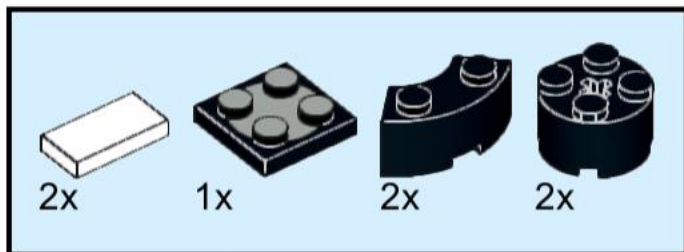
16



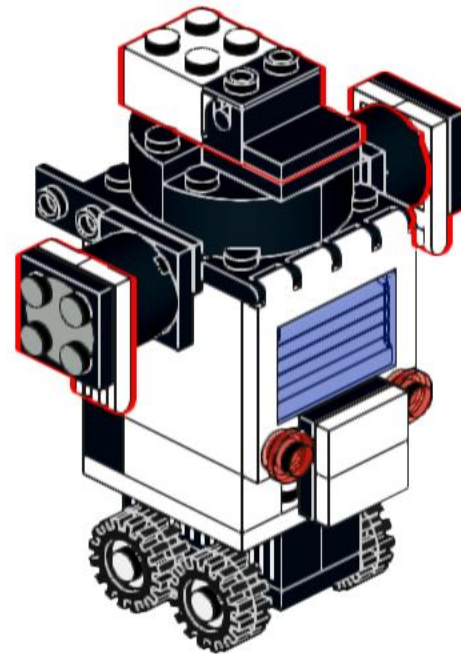
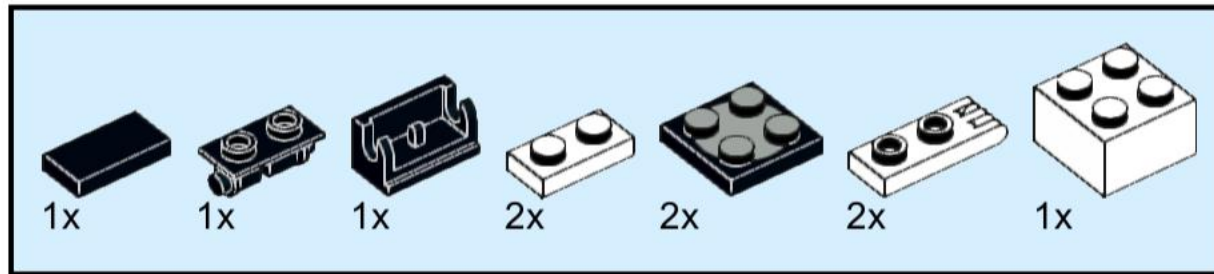
17



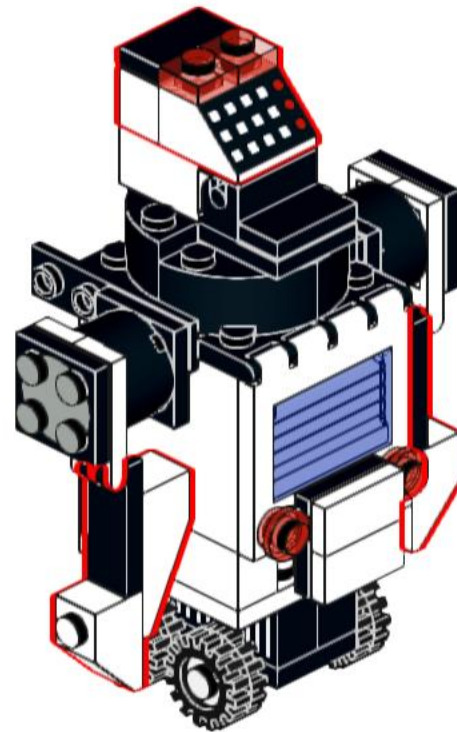
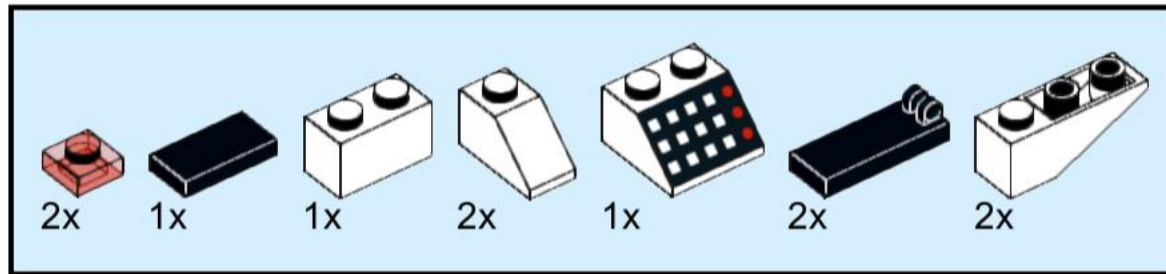
18



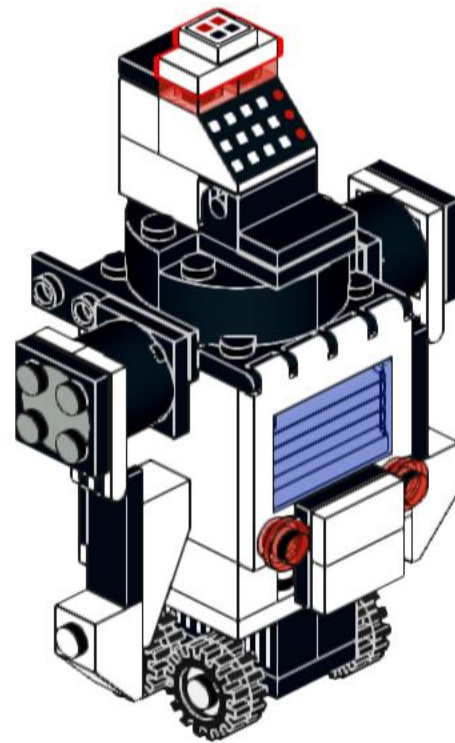
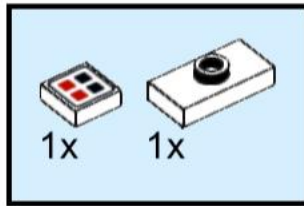
19



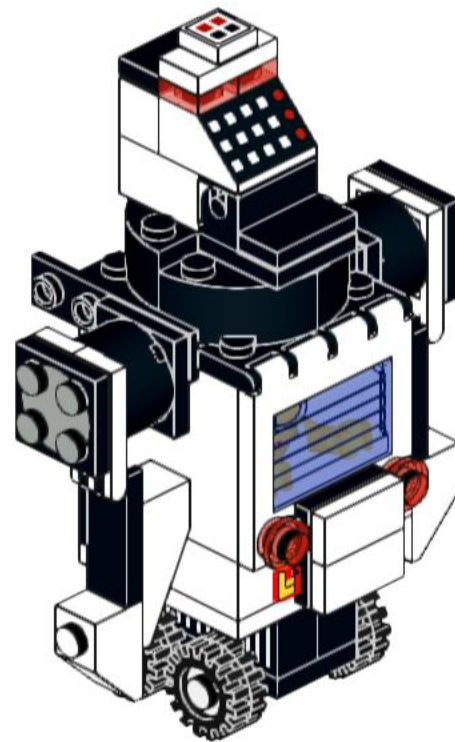
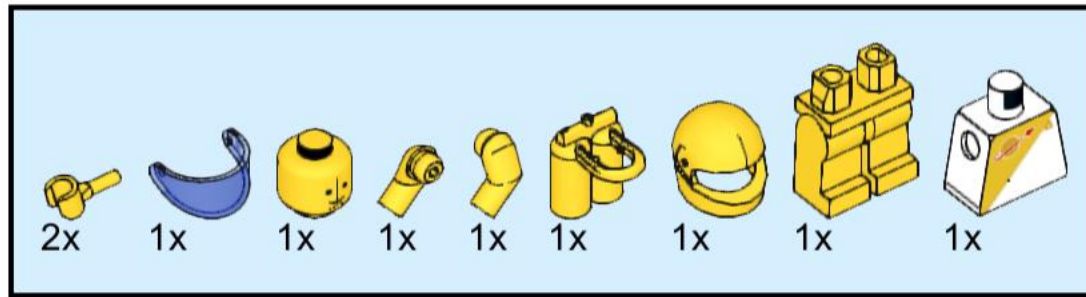
20



21



22



23

