



BJARNE TVESKOV
APPLICATION MODEL (1985)

MODEL INSTRUCTIONS
CONCEPT BY BJARNE TVESKOV
PHOTOGRAPHY & INSTRUCTIONS
BY COSMIC.BRICK

Introduction

This is the model that landed LEGO designer Bjarne Tveskov his job at LEGO in 1985! Tveskov later designed many iconic sets like the 6990 Futuron monorail.

After appearing in 2008 on *BoingBoing*, an elaborate article popped up in 2015 on *Building Debates* also featuring this model, explaining more about Tveskov's design choices and creativity (see <https://tinyurl.com/tveskov>) I was captivated.

To reverse engineer this model, Bjarne was very helpful with sharing insights & images (see top right). To my surprise it was (still assembled) sitting in his dusty basement.

Backstory

At the age of 17 in the Spring of 1985, Bjarne answered an ad call of LEGO looking for Space designers. He got sent a box with bricks and was asked to build a Space model to accompany his application.

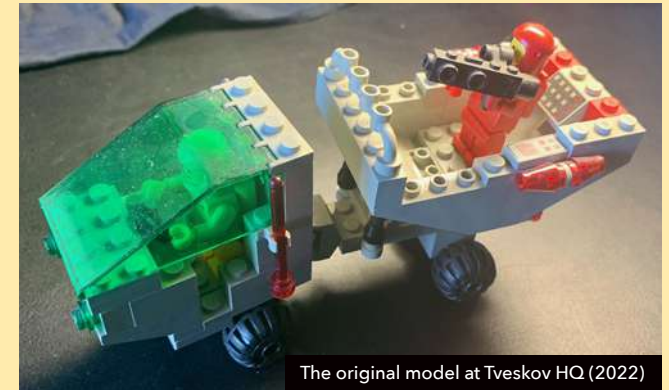
Essentially he built an *Eagle* spaceship from the '70s television series *Space: 1999*, carrying a neat rover. Bjarne had a good interest in science fiction, as it was a big thing for him at the time to try to construct Eagle spaceships. After using mainly parts of what appear to be Castle set 6073 & Space set 6952, a big bunch of parts was left over.

The Eagle was sent by post but was quite damaged upon arrival in Billund. Nonetheless Bjarne got invited, fixed the model during the interview – and got the job!

After my reconstruction, Bjarne wrote: "As you can probably tell, at the time I had no idea how to build stable LEGO models. It was built in between prepping for high school exams and beer drinking". But what I'm seeing is his inspiring signature style: like the clear outline, wings placed in reverse, many fun greebly details and cockpits that open in unexpected ways.

These instructions not only provide a complete documentation & part list of the Eagle, but also allow anyone interested to build the model (with elaborate steps) the exact same way as the original. *Thank you Bjarne Tveskov for sharing.*

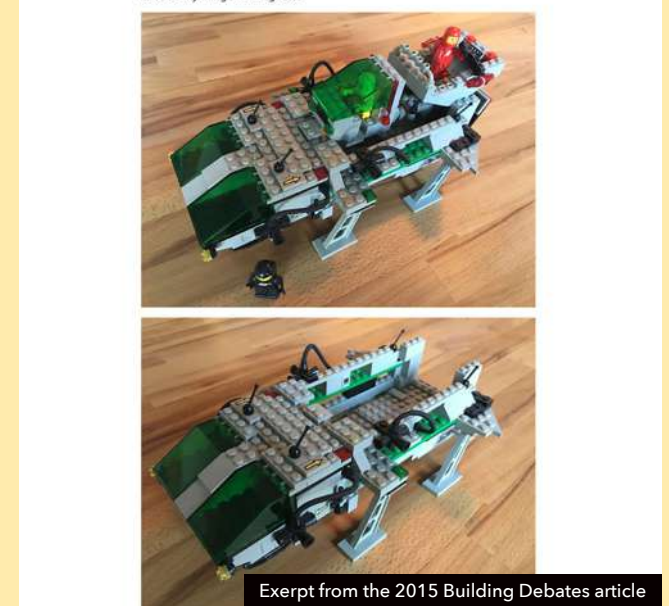
Have fun building!
Chris (cosmic.brick)



The original model at Tveskov HQ (2022)



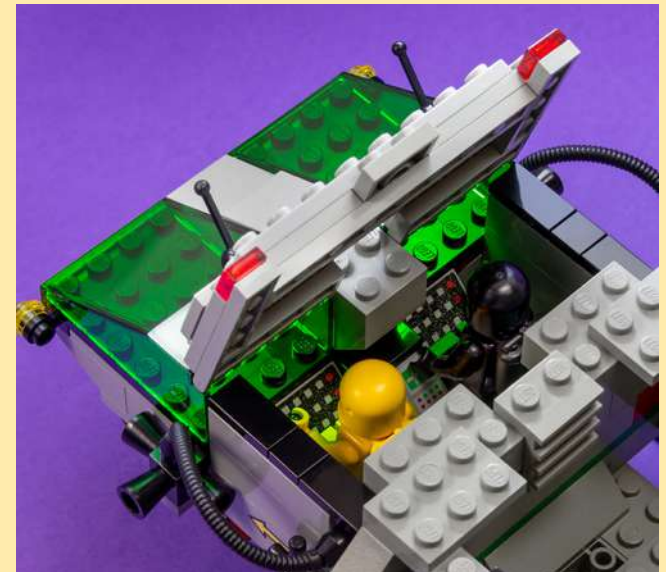
EXCERPT OF TVESKOV'S 2015 ARTICLE: "I USED TO BUILD THE ORIGINAL IN BETWEEN PREPPING FOR HIGH SCHOOL EXAMS AND BEER DRINKING. BUT WHAT I'M SEEING IS HIS INSPIRING SIGNATURE STYLE: LIKE THE CLEAR OUTLINE, WINGS PLACED IN REVERSE, MANY FUN GREEBLY DETAILS AND COCKPITS THAT OPEN IN UNEXPECTED WAYS. WHICH REALLY IS A LEGO THING, BUT ALSO MY THING I WOULD GUESS."



Excerpt from the 2015 Building Debates article

The model

Replica model by @cosmic.brick.



Get your parts ready!



2x
3070b
Black



3x
3022
Black



2x
3676
Black



4x
4288
Black



2x
122c01
Black



1x
3666
Black



5x
3069b
Black



1x
4032
Black



4x
3660
Black



2x
3710
Black



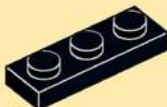
1x
4360
Black



2x
4081a
Black



2x
3959
Black



4x
3623
Black



1x
973c00
Black



2x
4229
Black



1x
193b2
Black



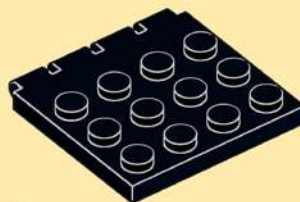
1x
3003
Black



2x
3021
Black



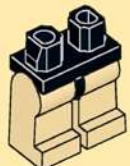
1x
3020
Black



2x
4213
Black



6x
4592c02
Black



1x
970c02
Black



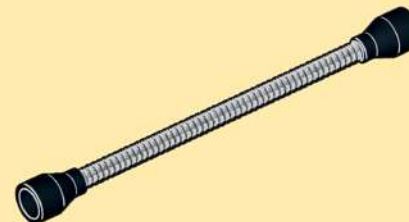
1x
3962a
Black



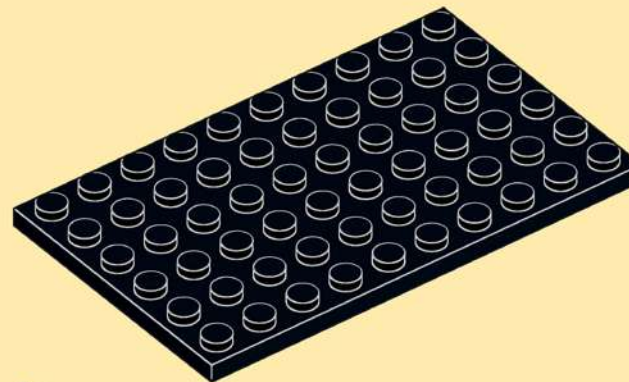
4x
3963
Black



1x
3838
Black



6x
73590c03a
Black



1x
3033
Black



2x
3024
Light Gray

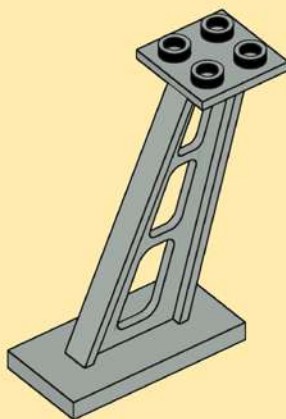




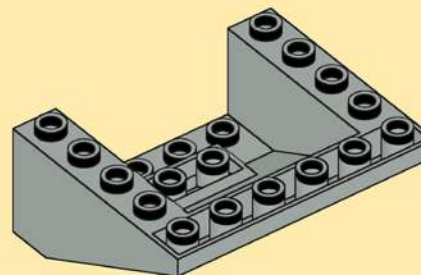
2x
3031
Light Gray



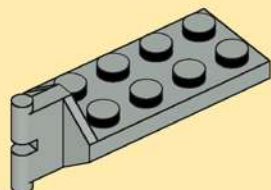
1x
3640
Light Gray



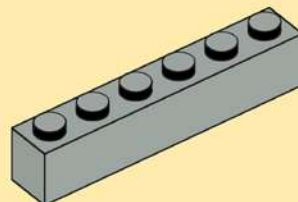
4x
4476b
Light Gray



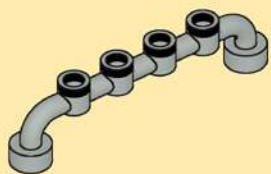
2x
4228
Light Gray



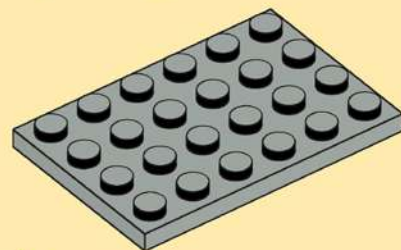
1x
3639
Light Gray



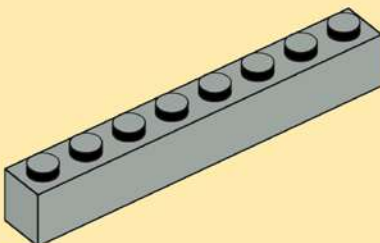
2x
3009
Light Gray



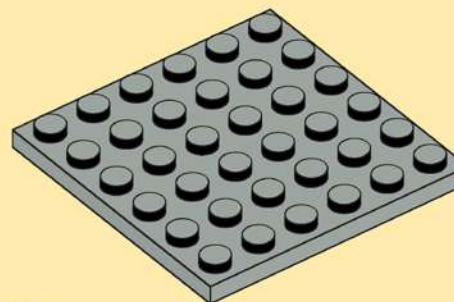
1x
4873
Light Gray



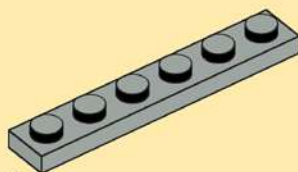
1x
3032
Light Gray



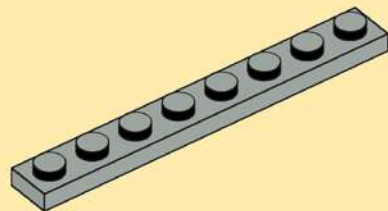
6x
3008
Light Gray



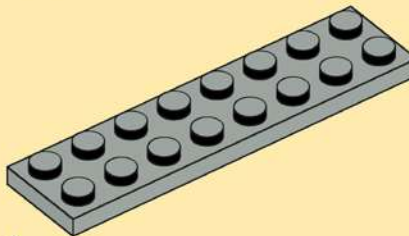
3x
3958
Light Gray



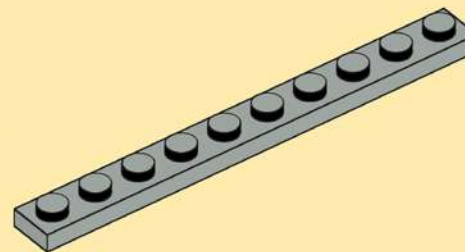
5x
3666
Light Gray



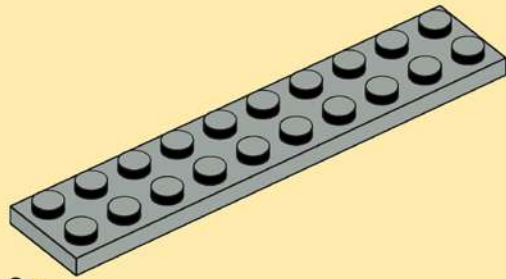
2x
3460
Light Gray



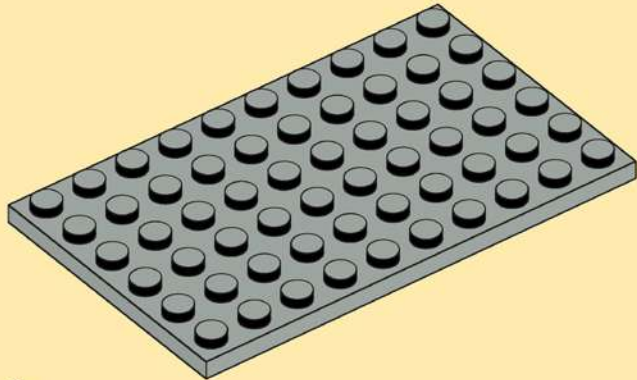
4x
3034
Light Gray



1x
4477
Light Gray



3x
3832
Light Gray



1x
3033
Light Gray



2x
3023
White



4x
3005
Red



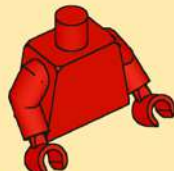
1x
193b2
Red



1x
3838
Red



1x
970c00
Red



1x
973c00
Red



2x
3023
Yellow



4x
3626ap01
Yellow



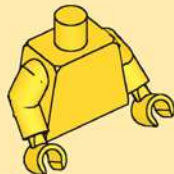
2x
193b2
Yellow



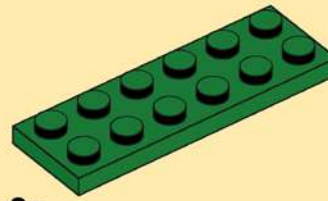
2x
3838
Yellow



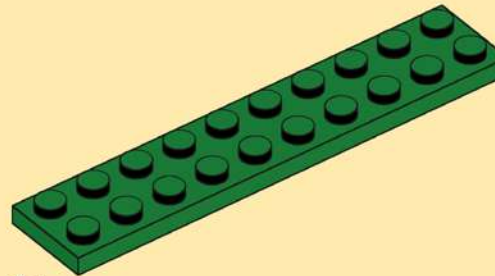
2x
970c02
Yellow



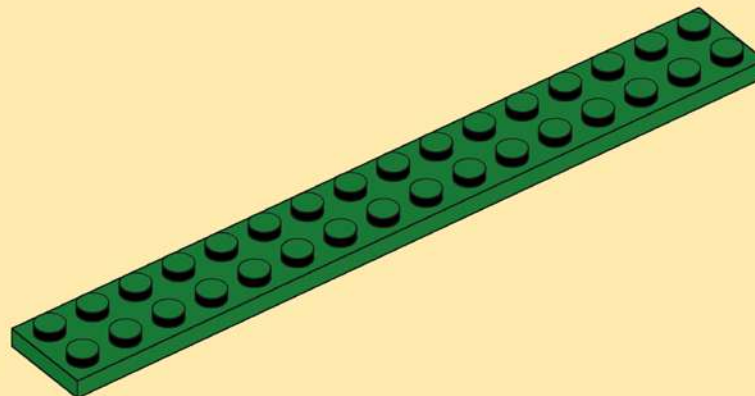
2x
973c00
Yellow



2x
3795
Green



1x
3832
Green



2x
4282
Green



2x
3070b
Trans-Red



2x
4073
Trans-Red




4x
3024
Trans-Red



4x
4589
Trans-Red



2x
4740
Trans-Red



1x
3957
Trans-Red



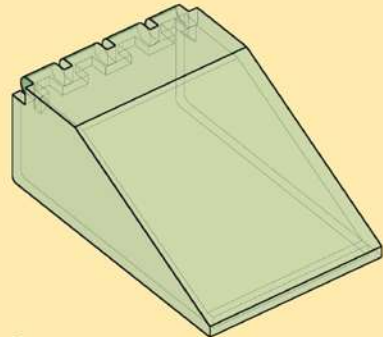
2x
4073
Trans-Yellow



4x
3024
Trans-Green



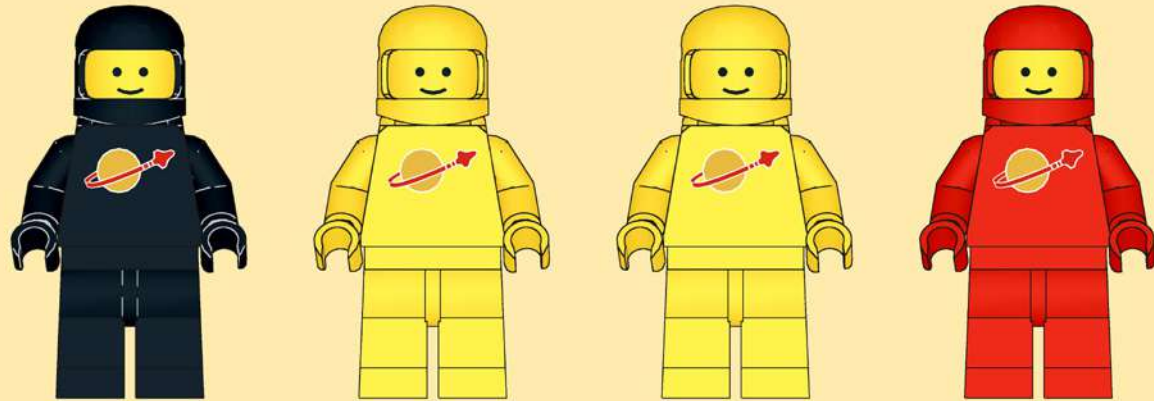
2x
4073
Trans-Green



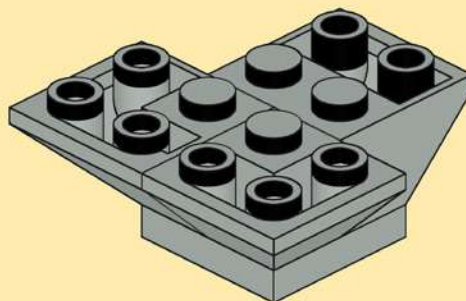
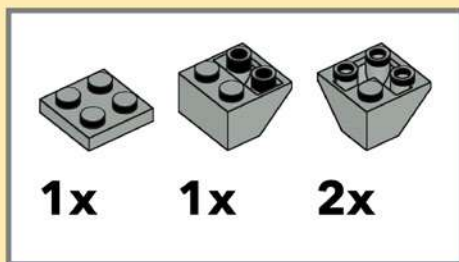
1



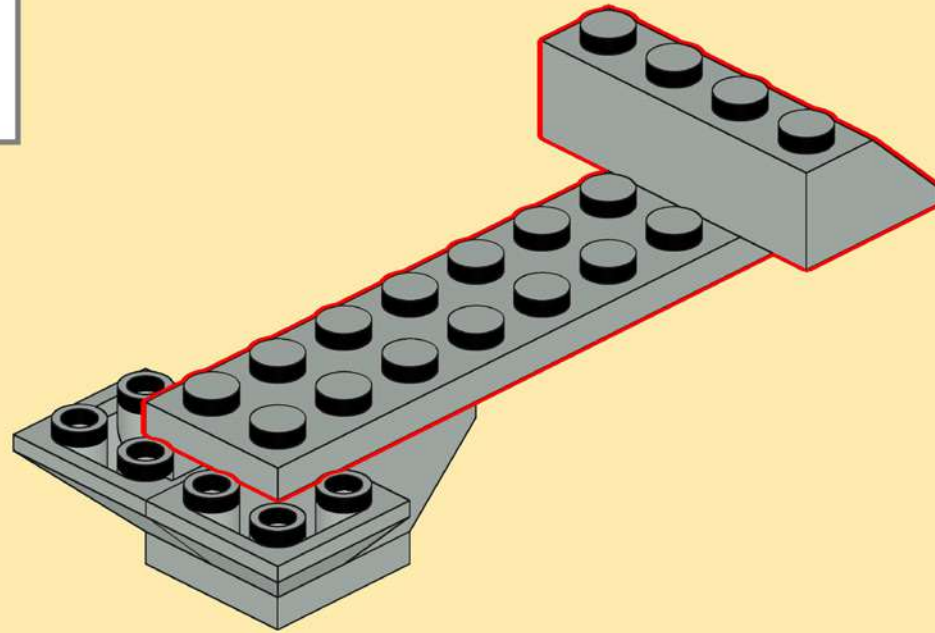
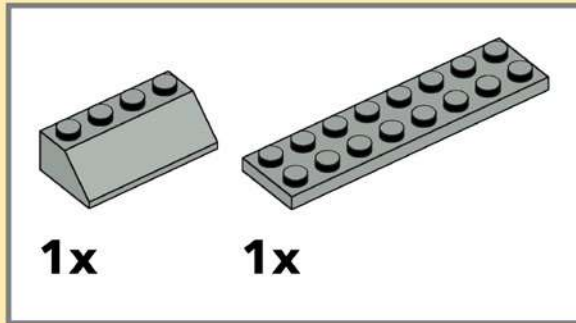
2



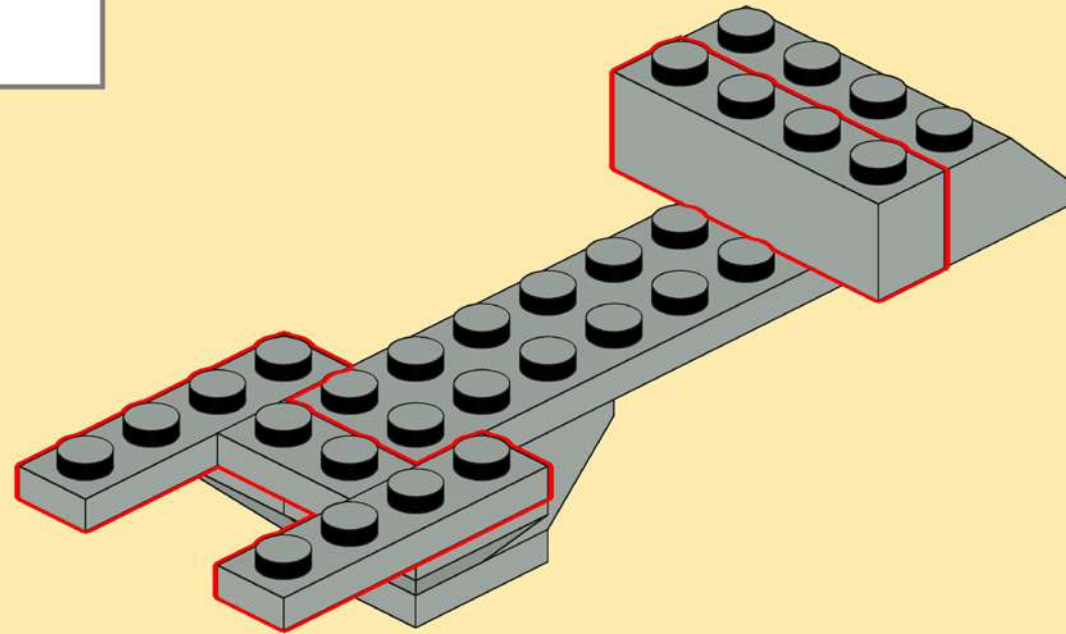
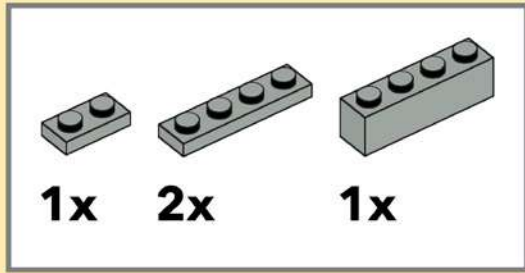
1



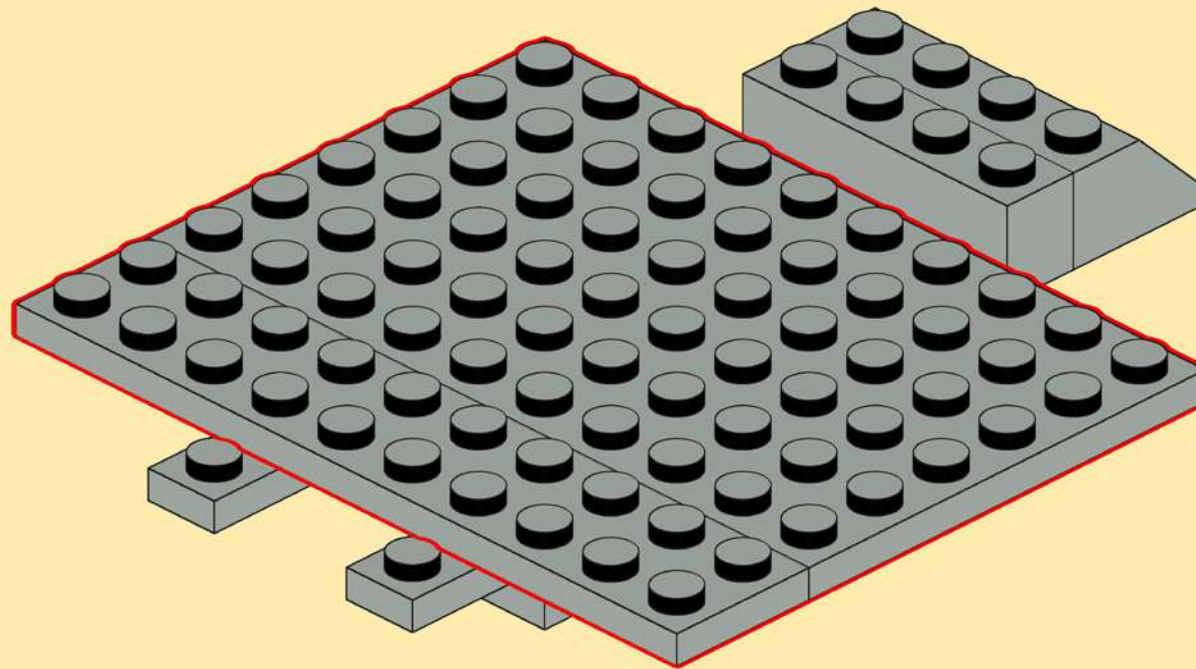
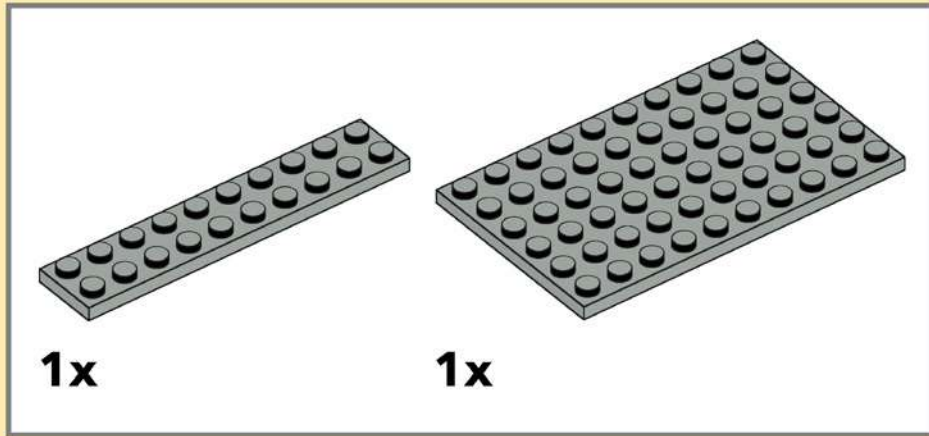
2



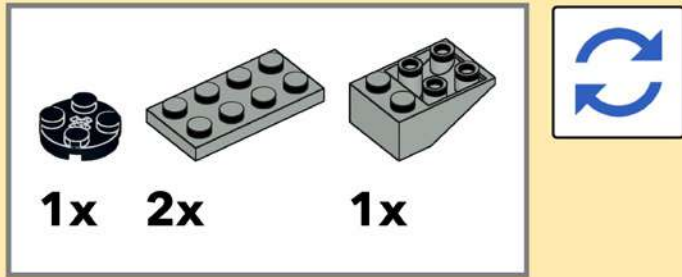
3



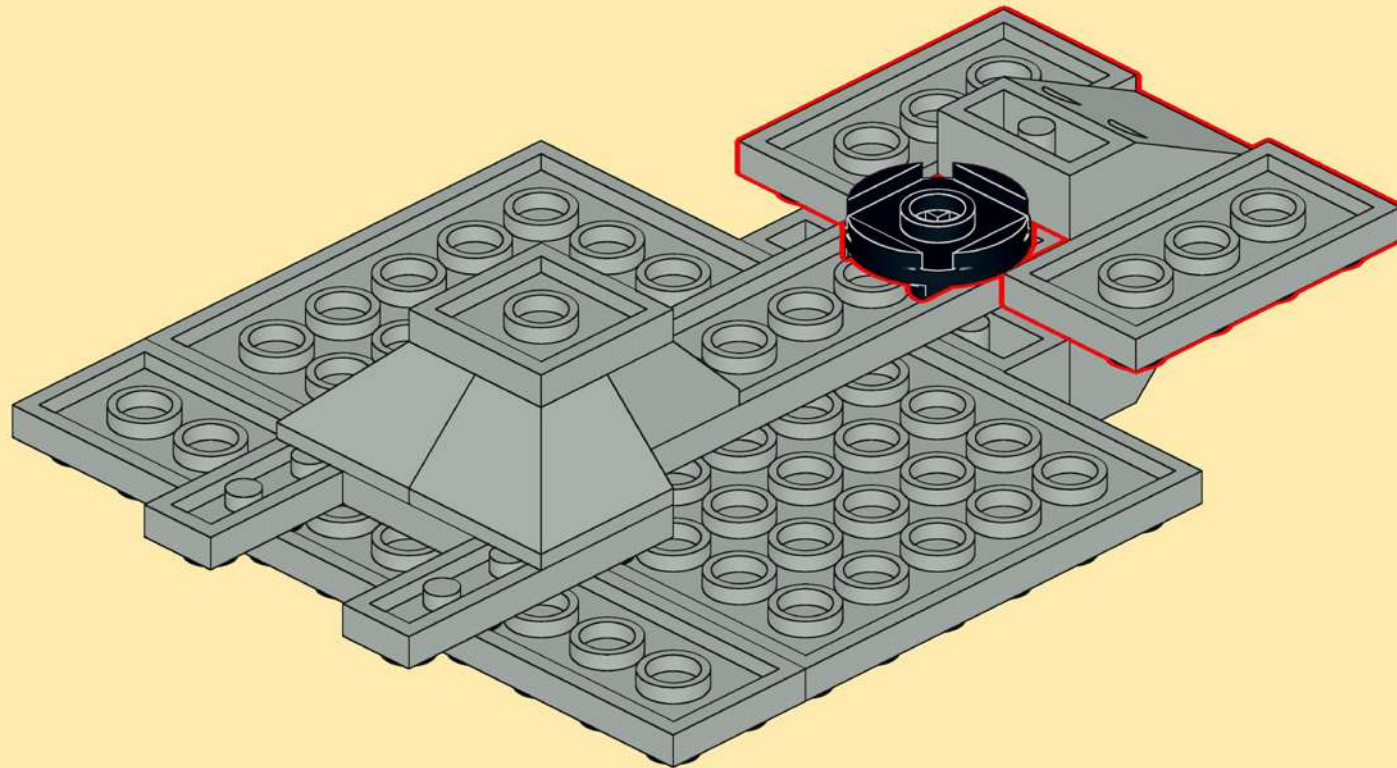
4



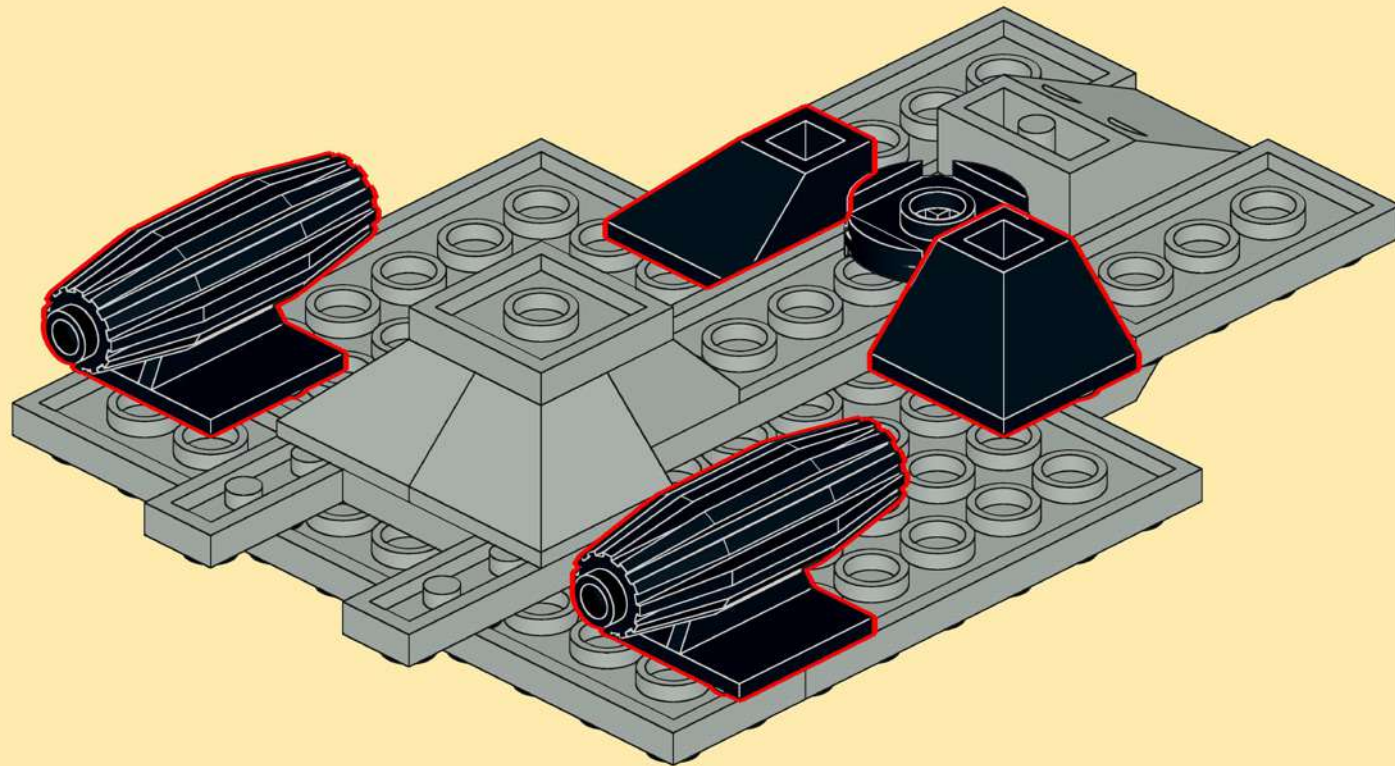
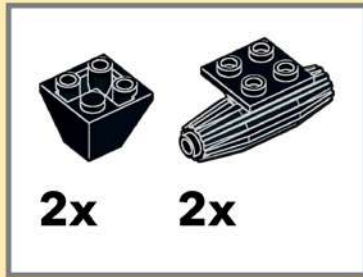
5



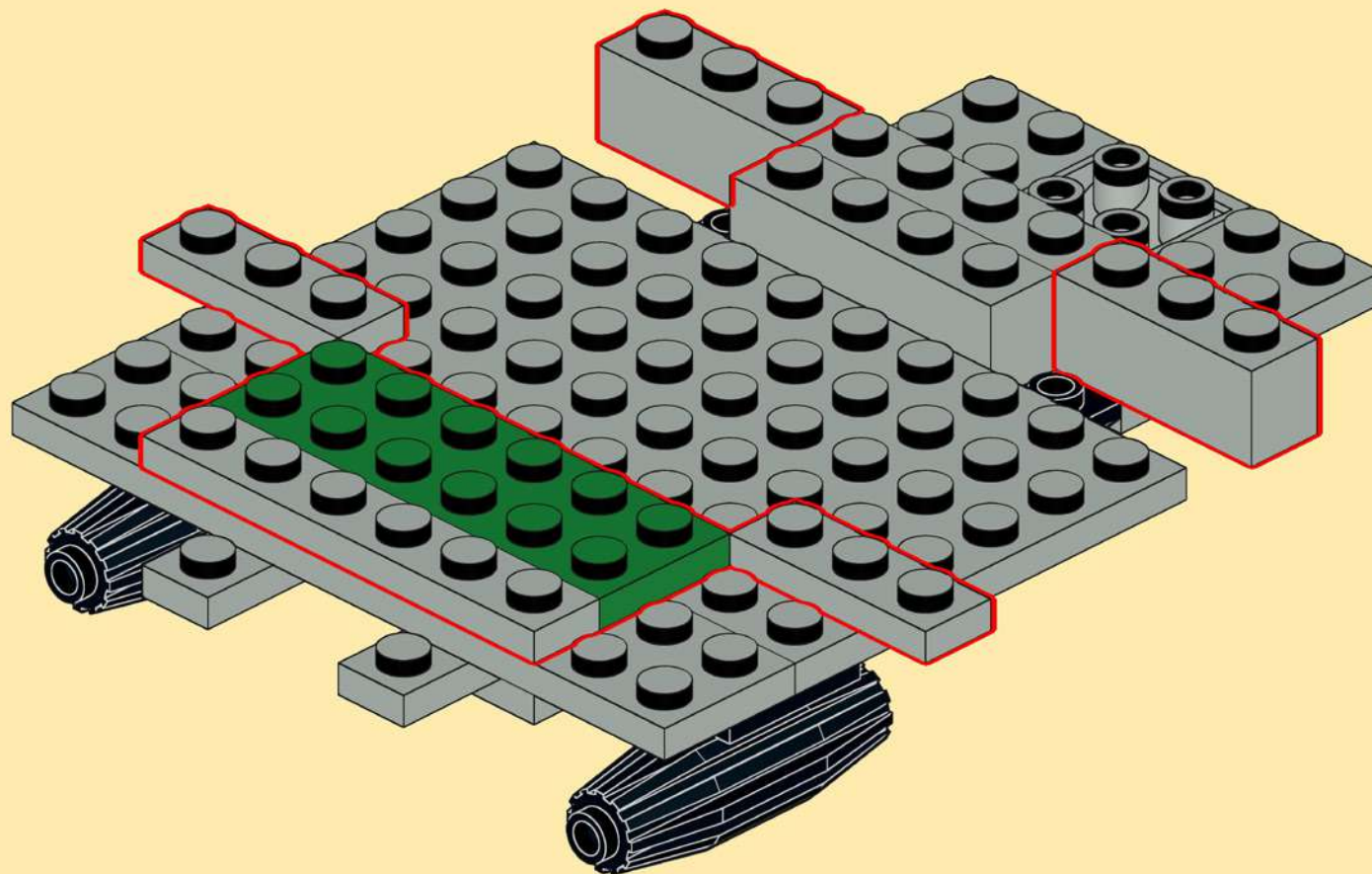
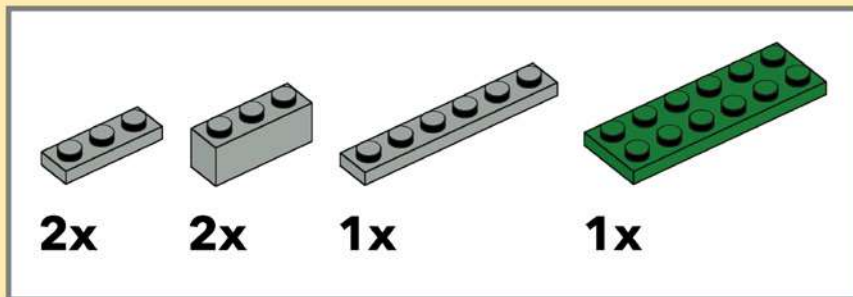
1x 2x 1x



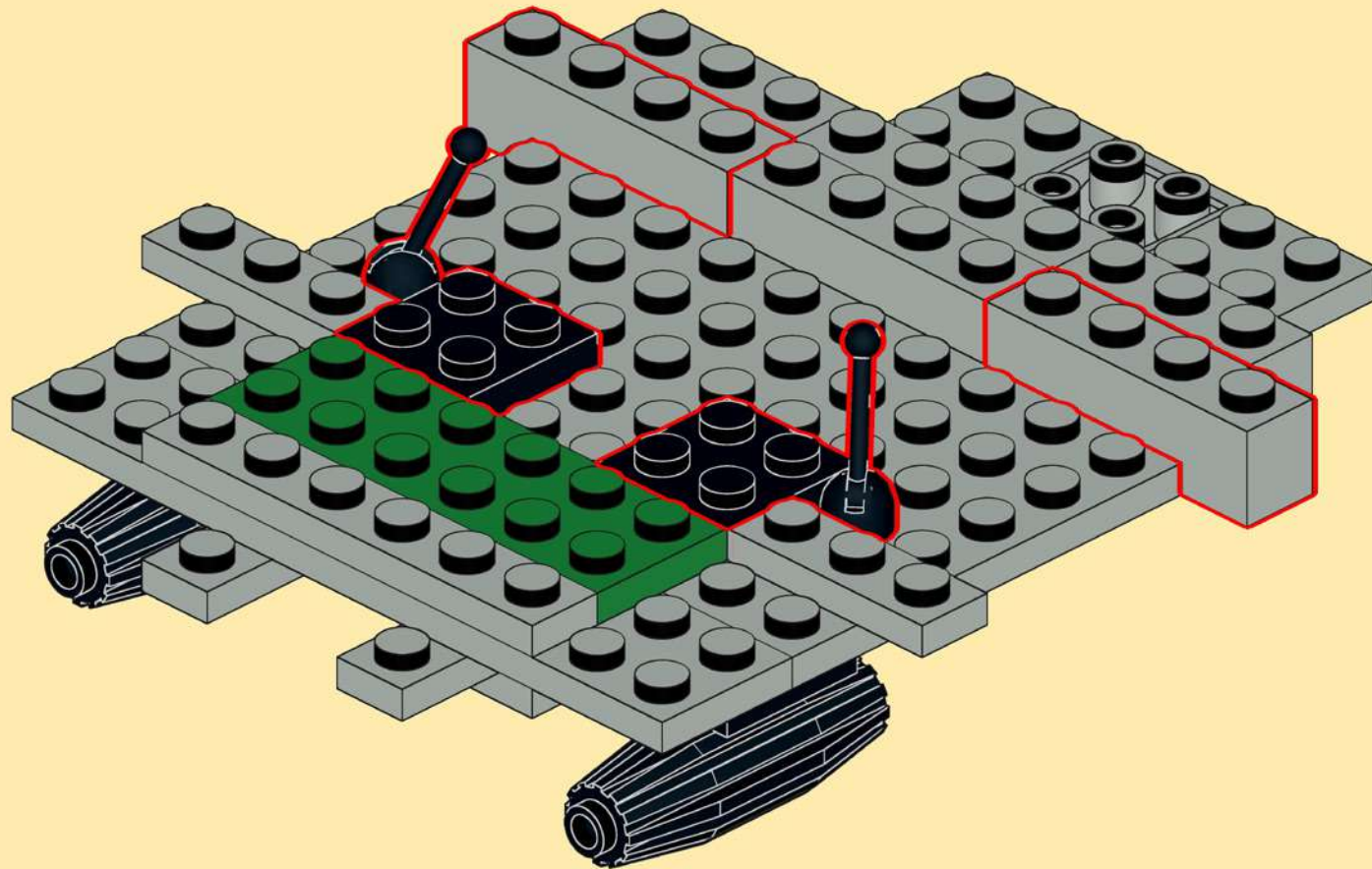
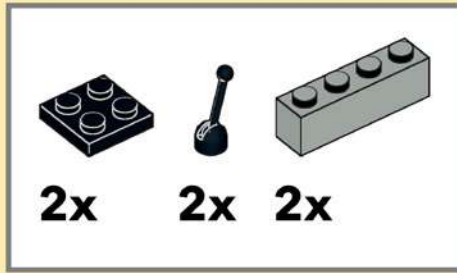
6



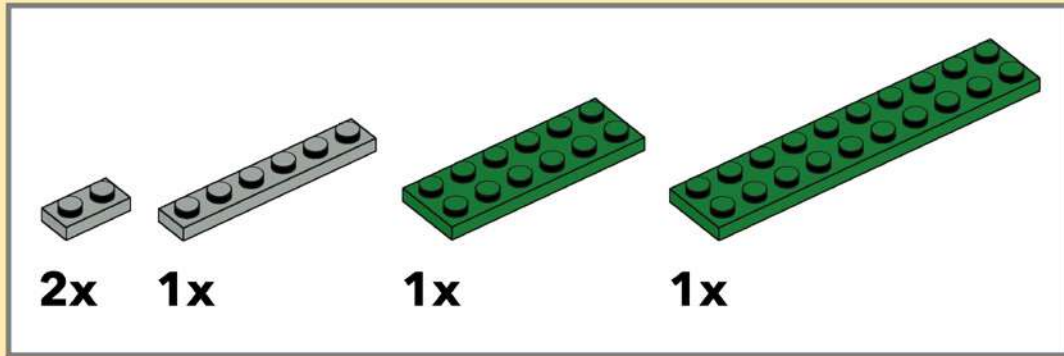
7



8

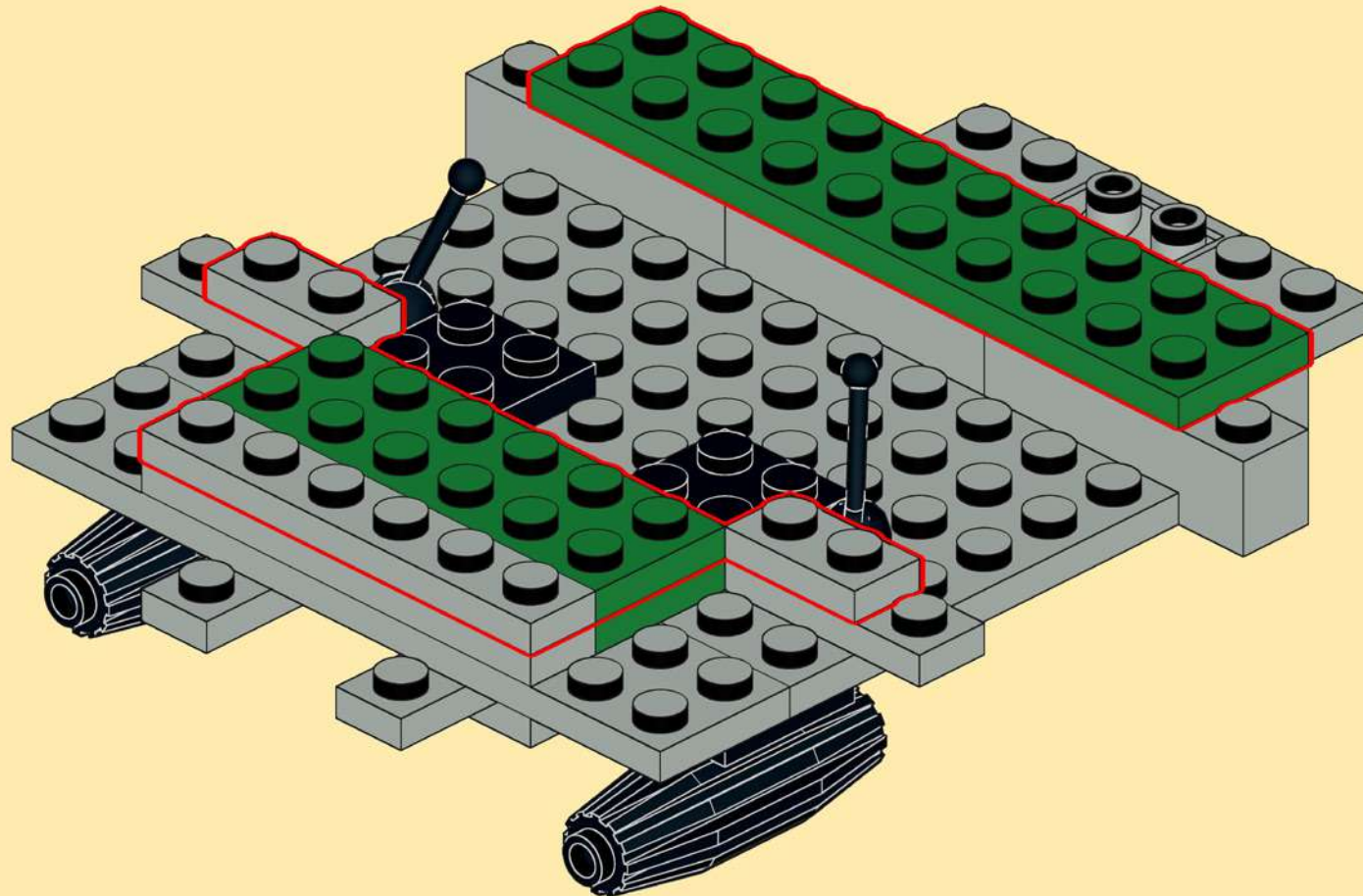


9

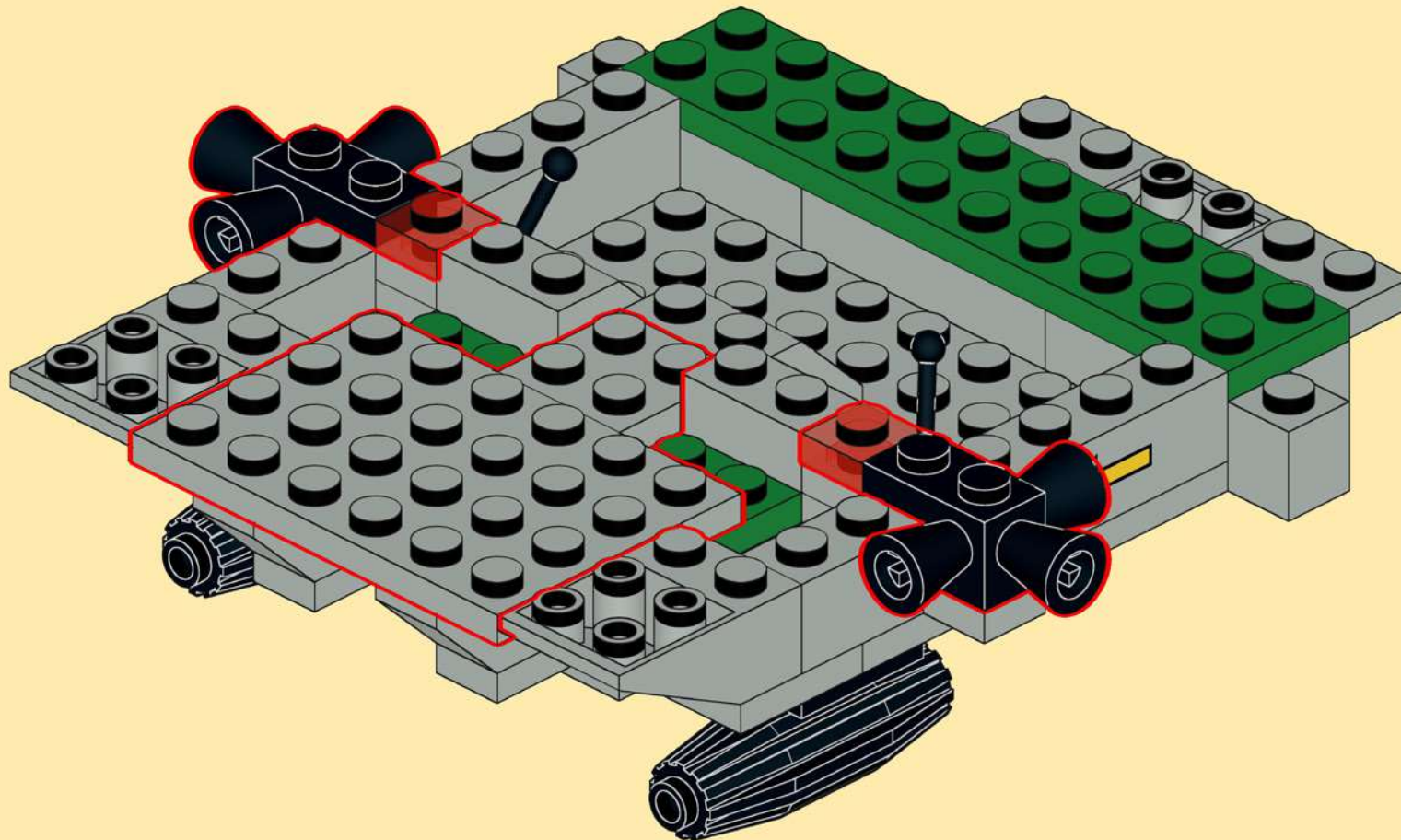
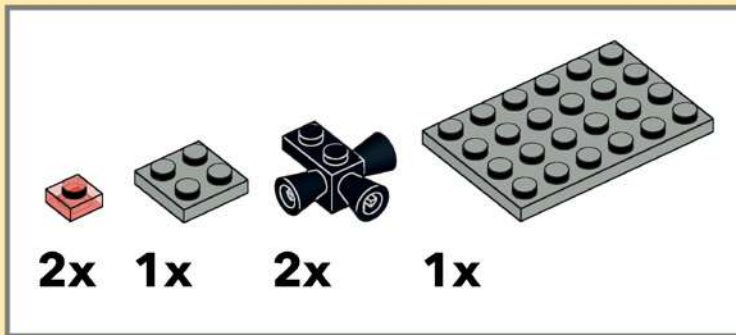


Variations

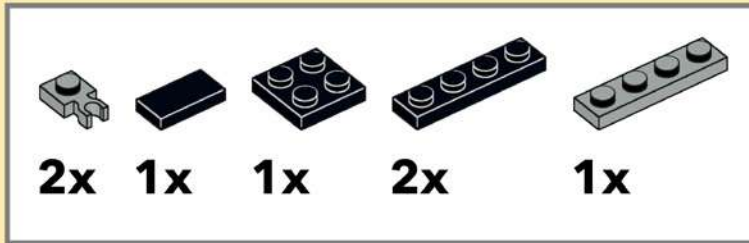
The green 2x6 plates will not be visible when fully assembled. Any color will do.



12

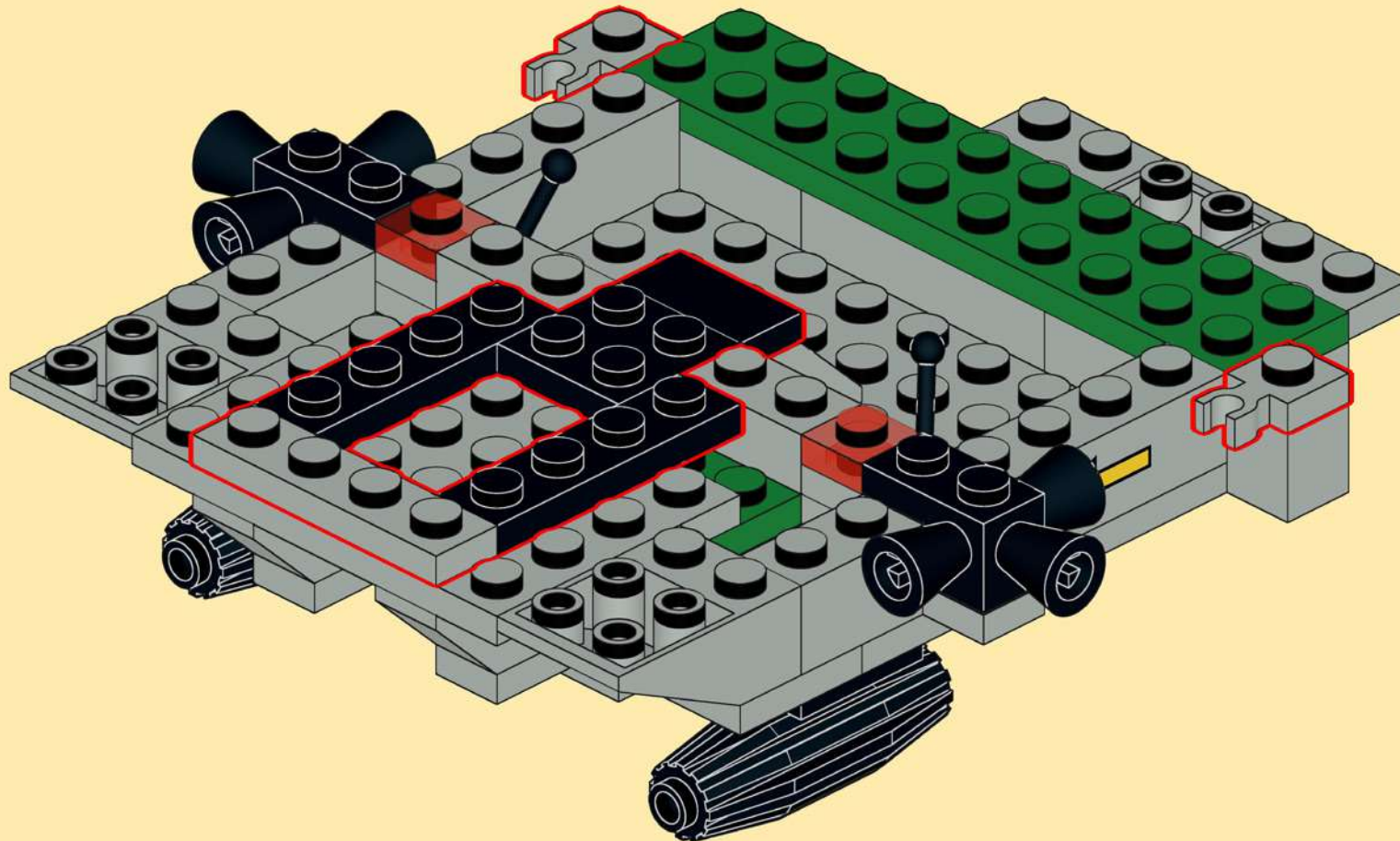


13

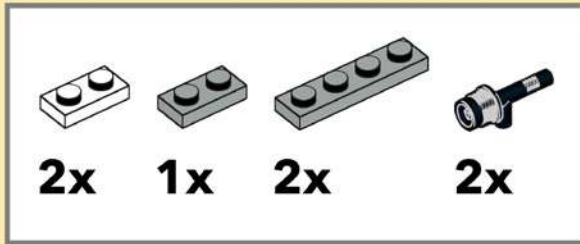


Variations

The black plates will not be visible when fully assembled. Any color will do.

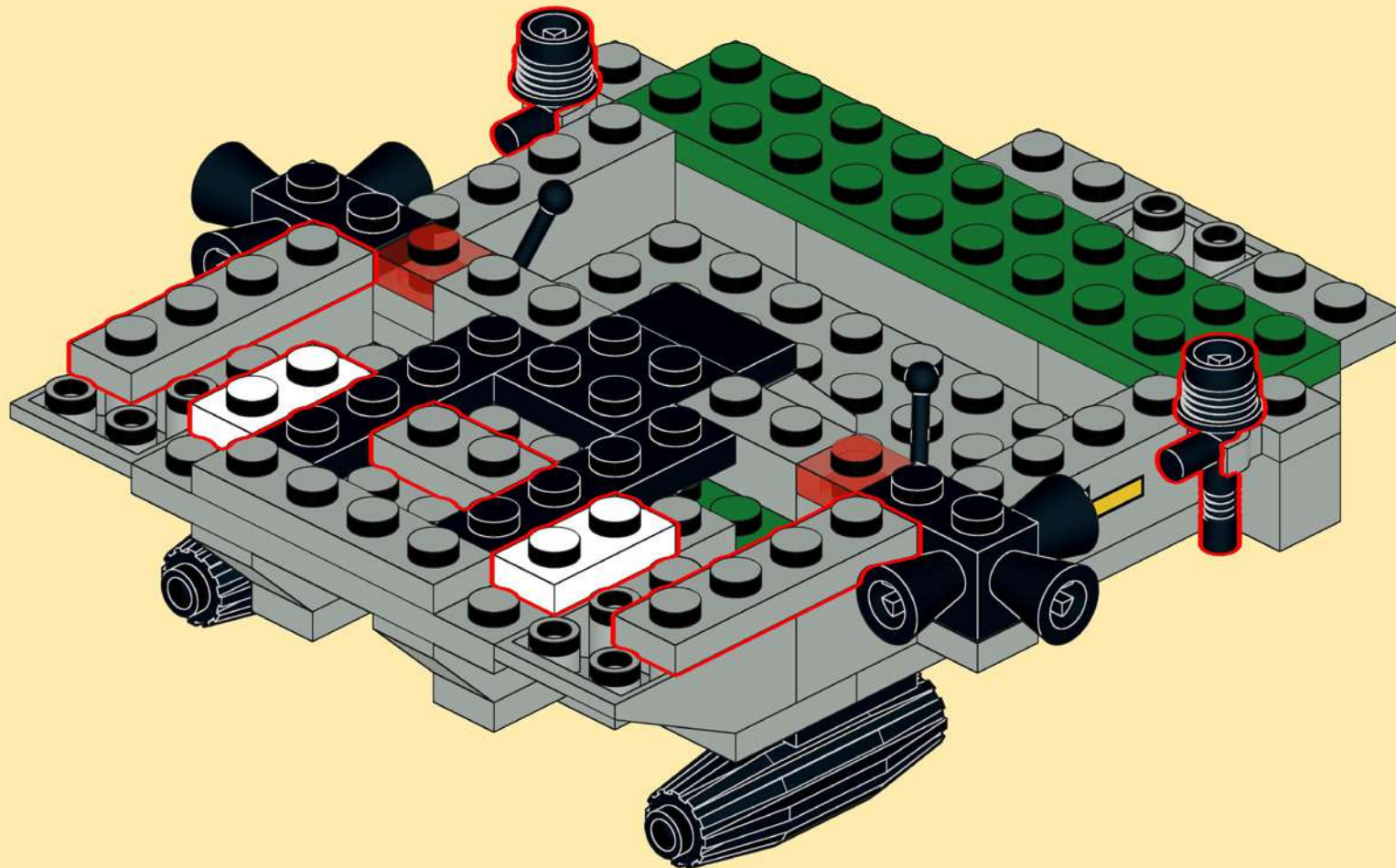


14

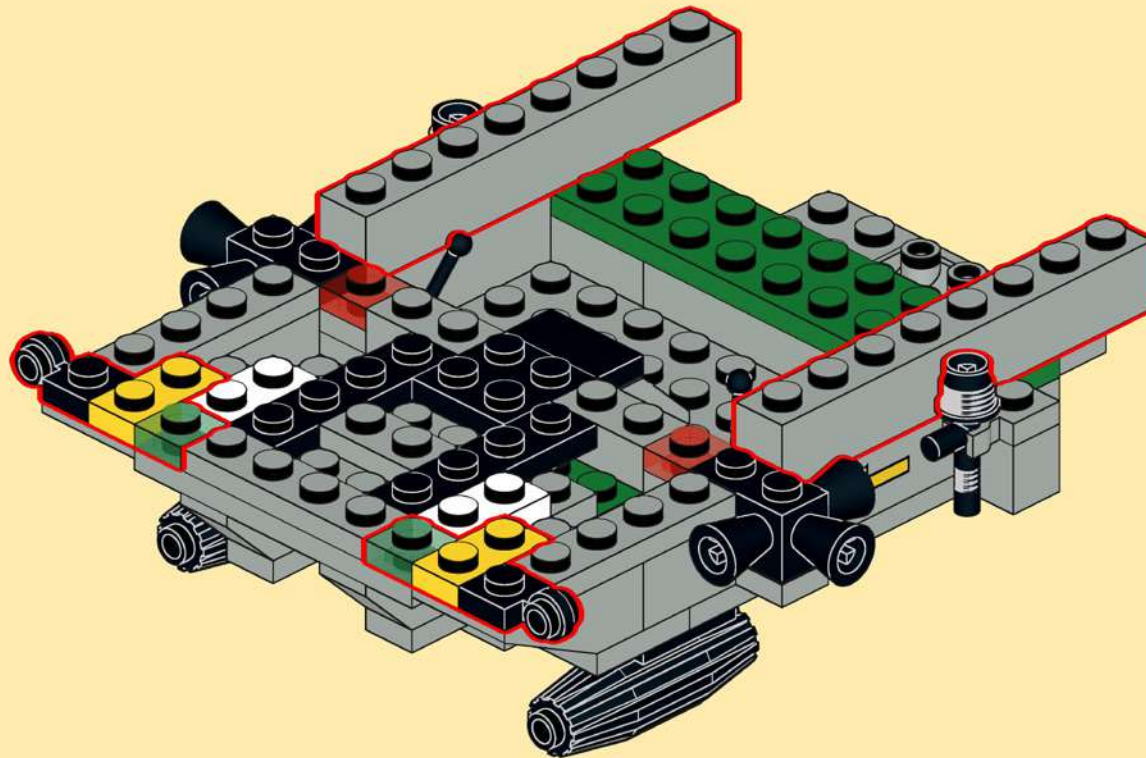
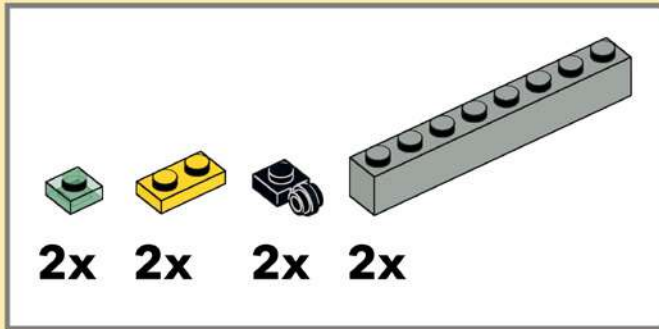


Variations

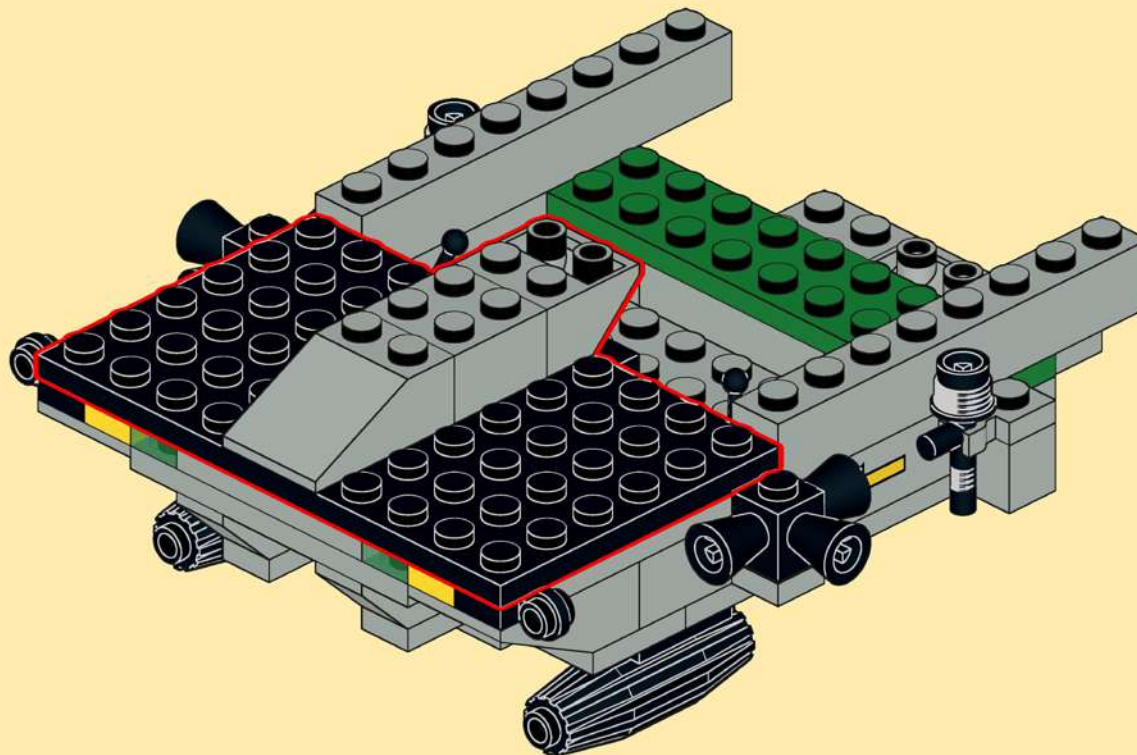
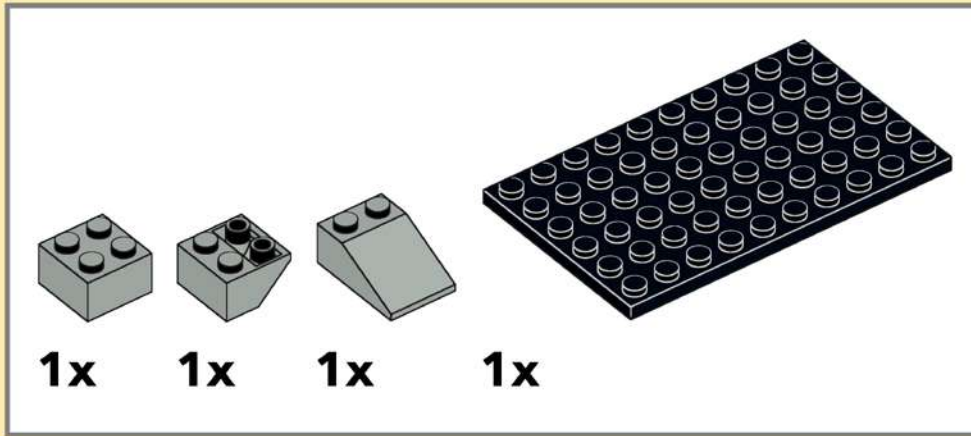
The three 1x2 plates will not be visible when fully assembled. Any color will do.



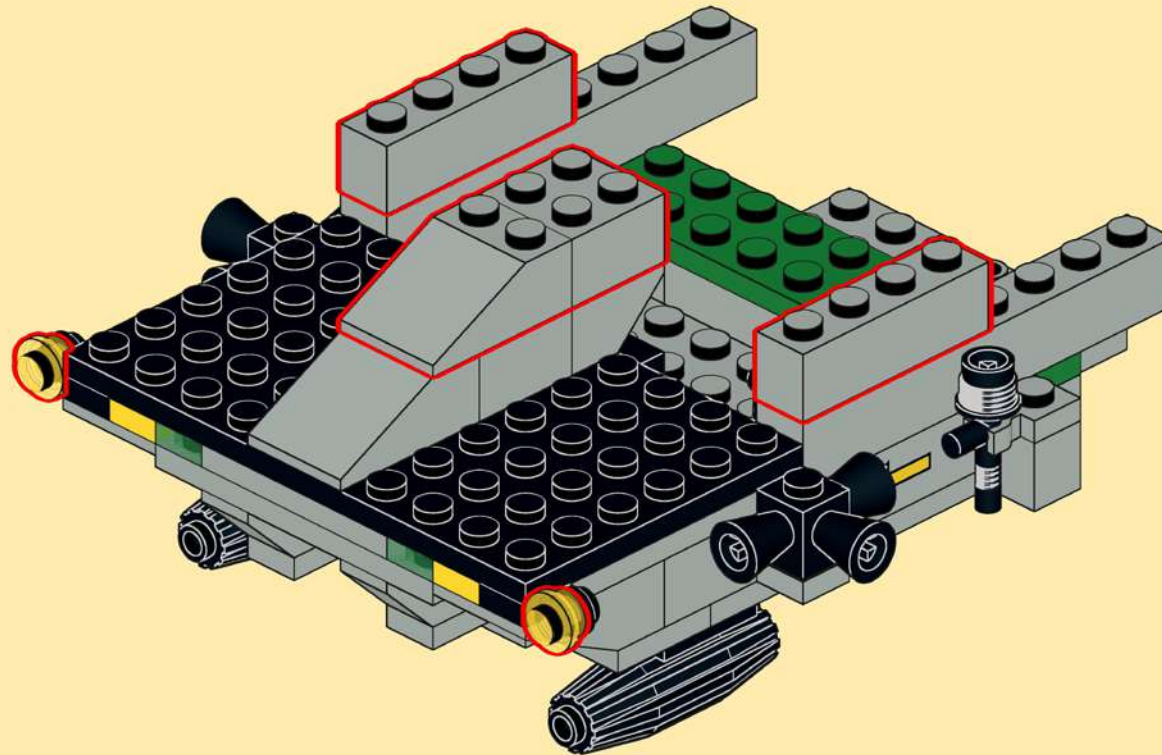
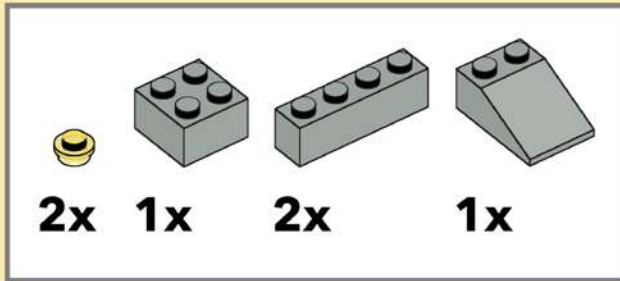
15



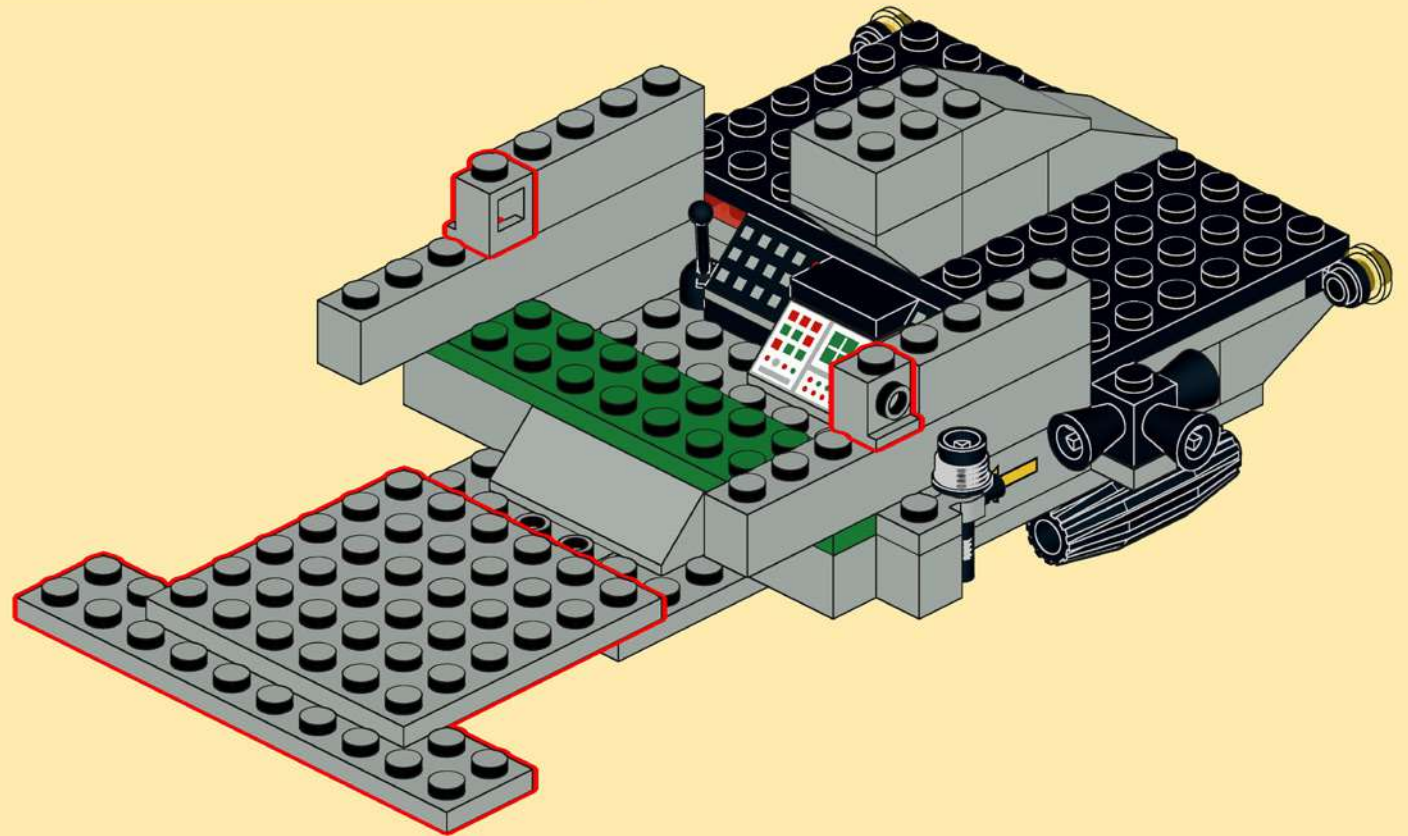
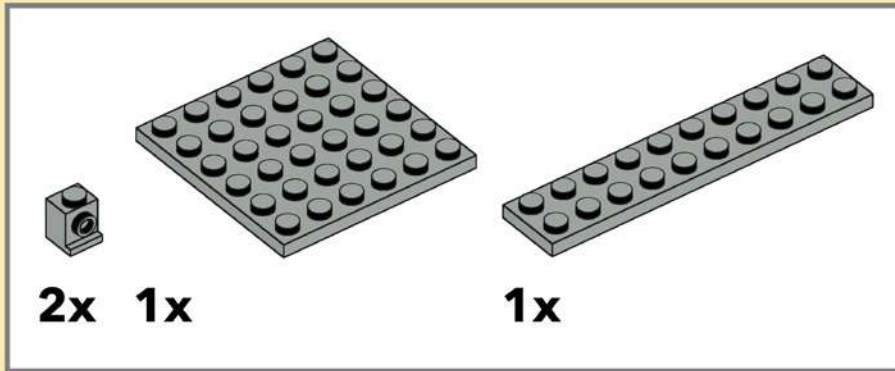
16



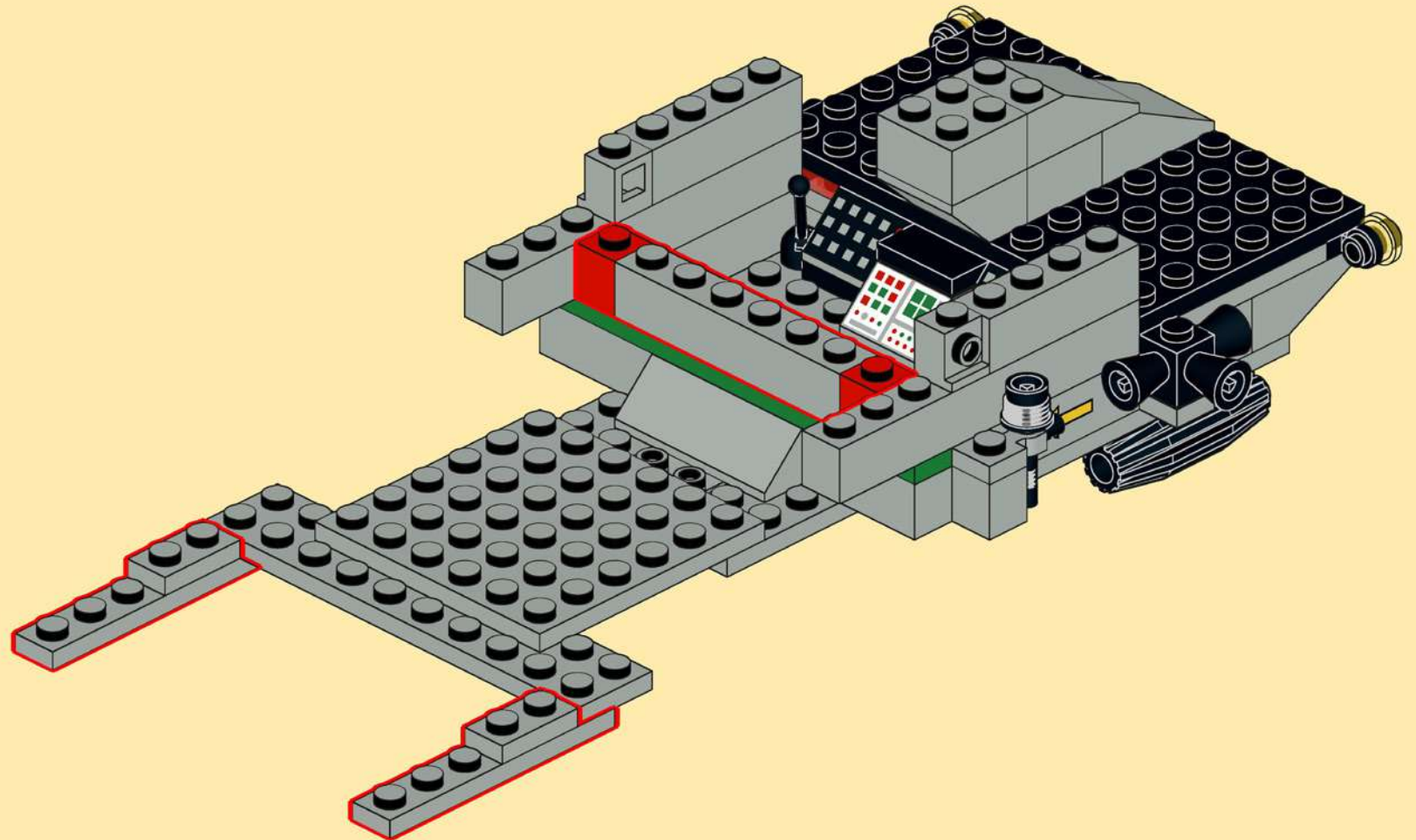
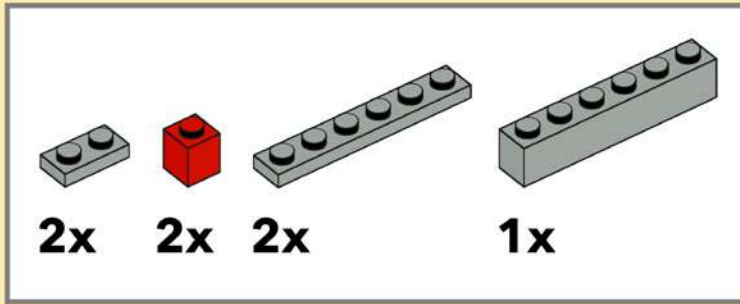
17



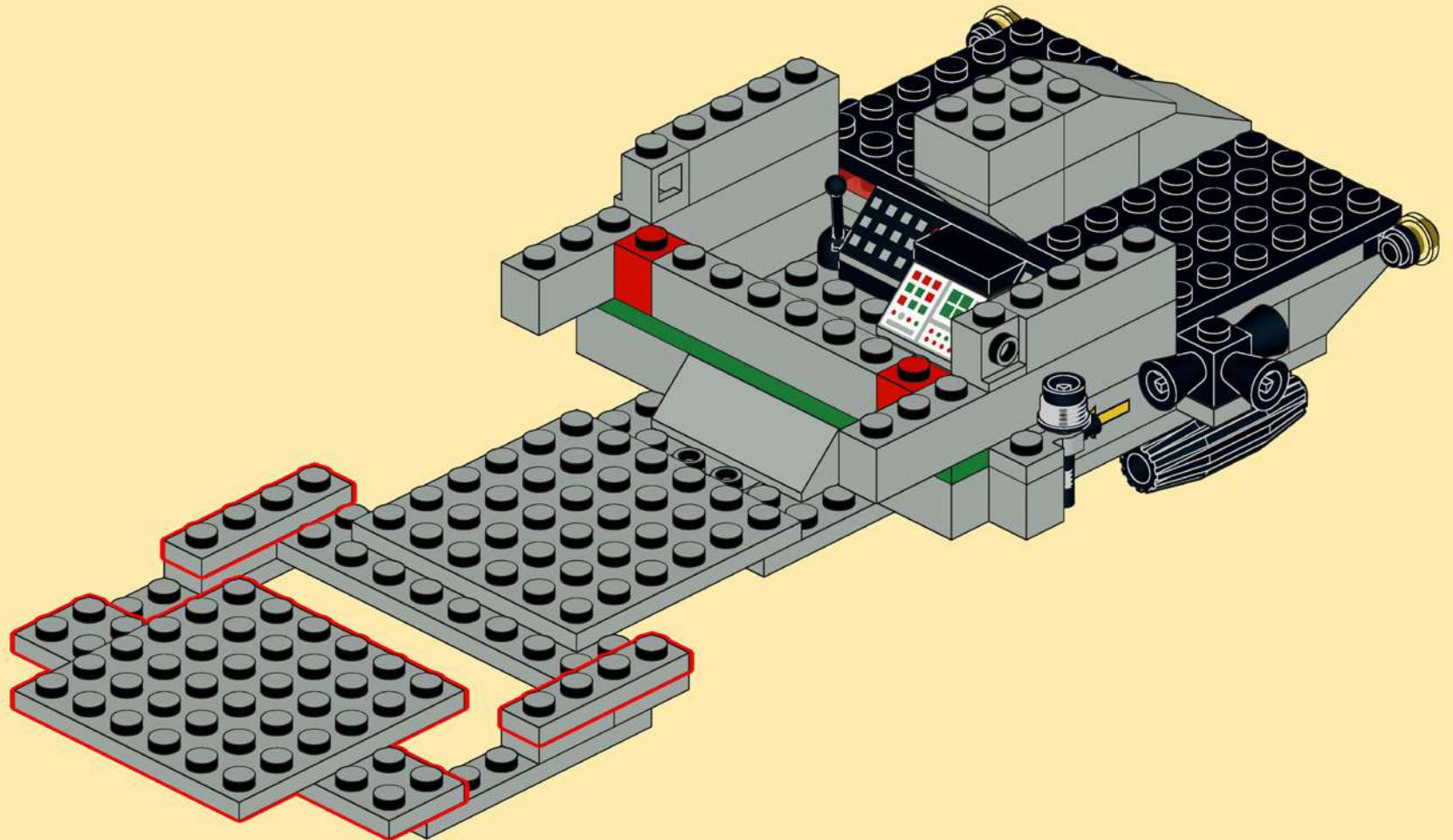
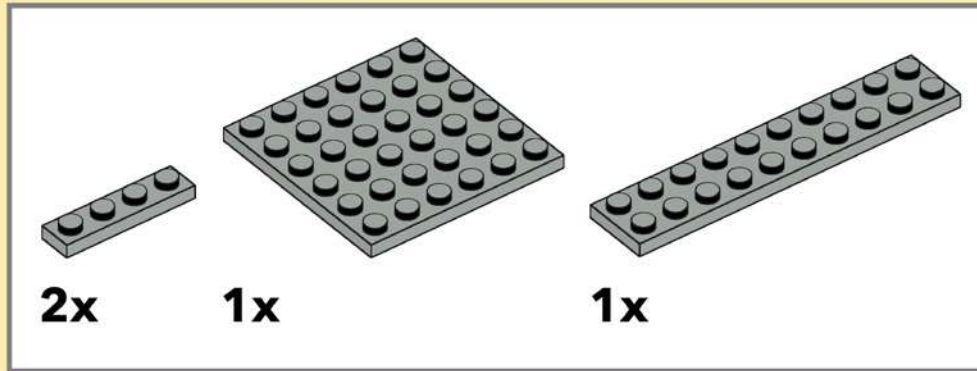
18



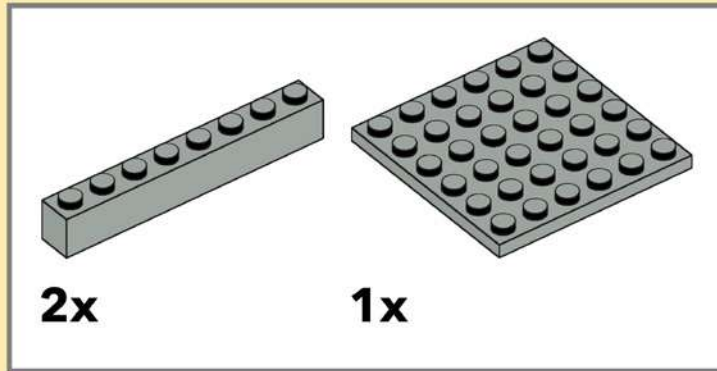
19



20

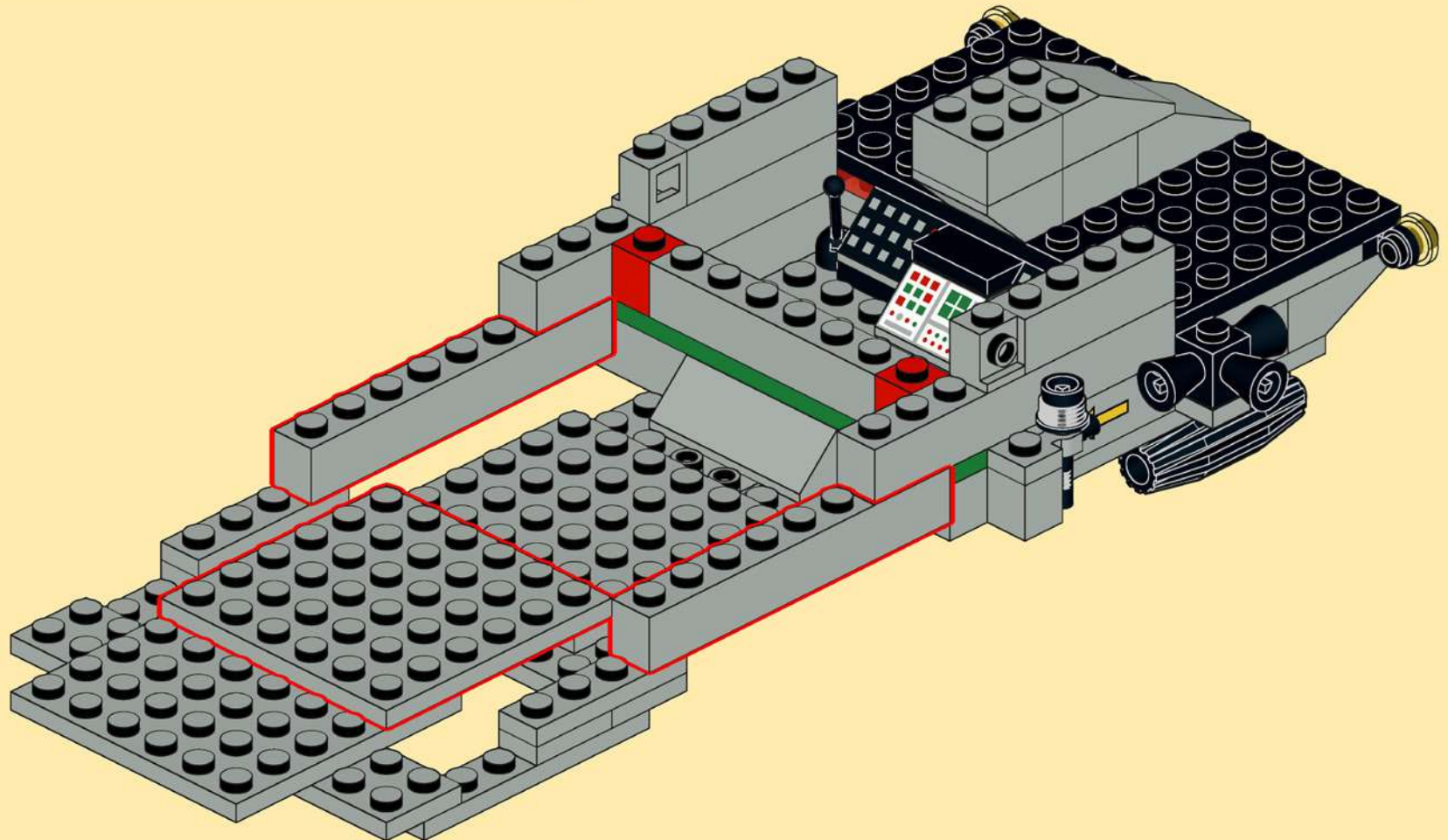


21

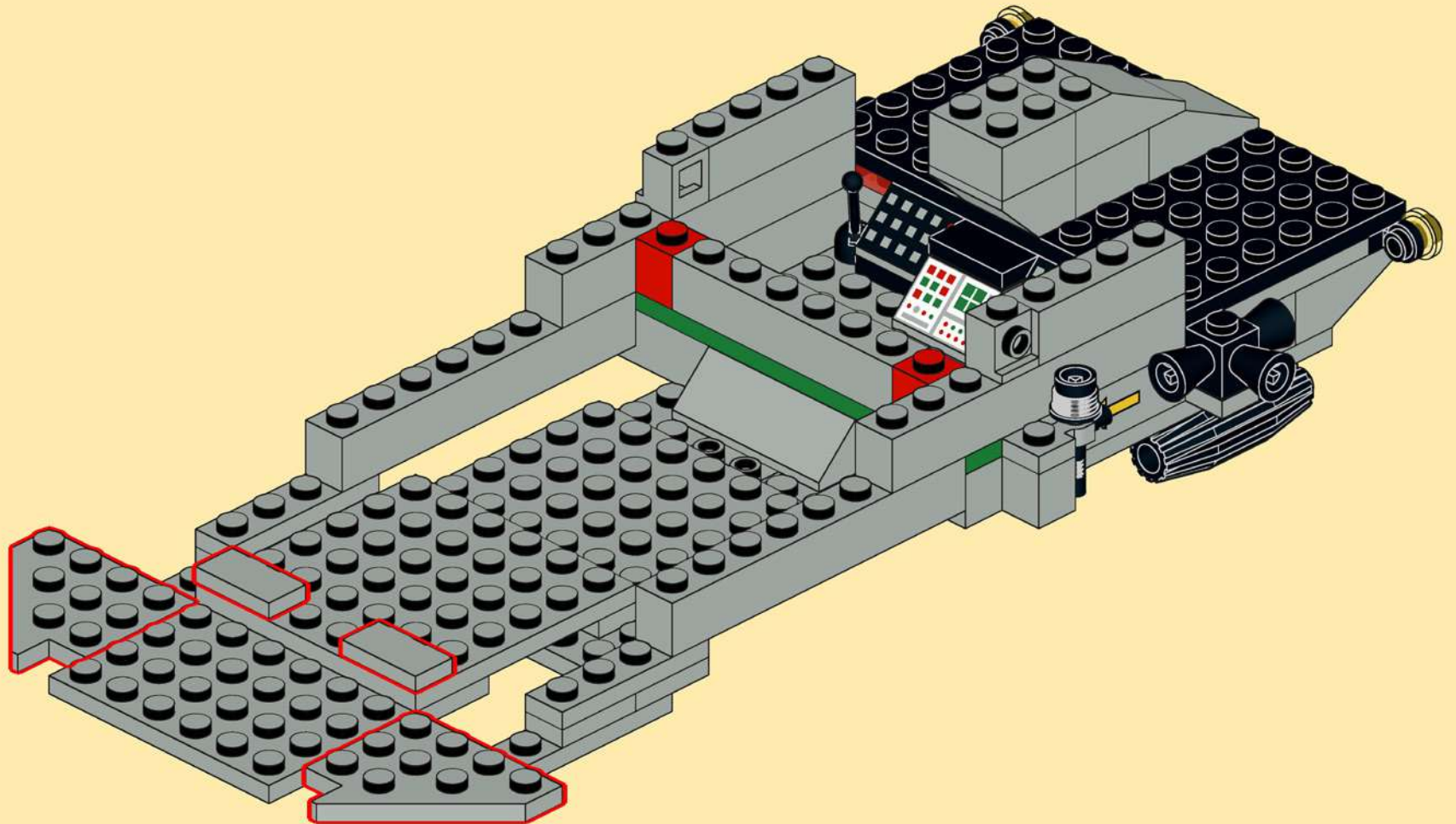
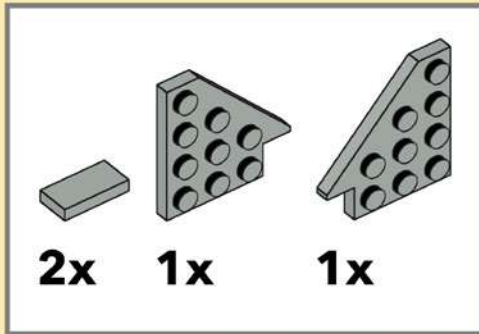


Stability tip

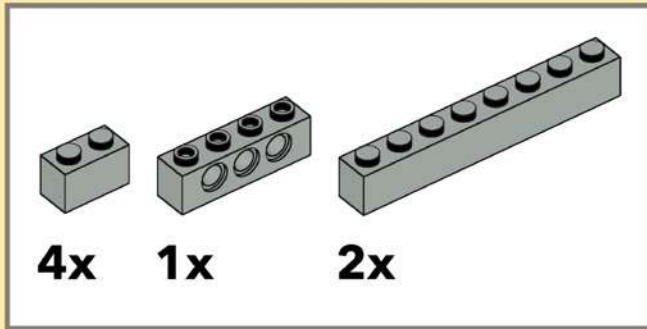
The building steps show how to build an exact replica of the original model. However, to improve stability I can recommend replacing the four 2x8 bricks with two 1x16 bricks.



22

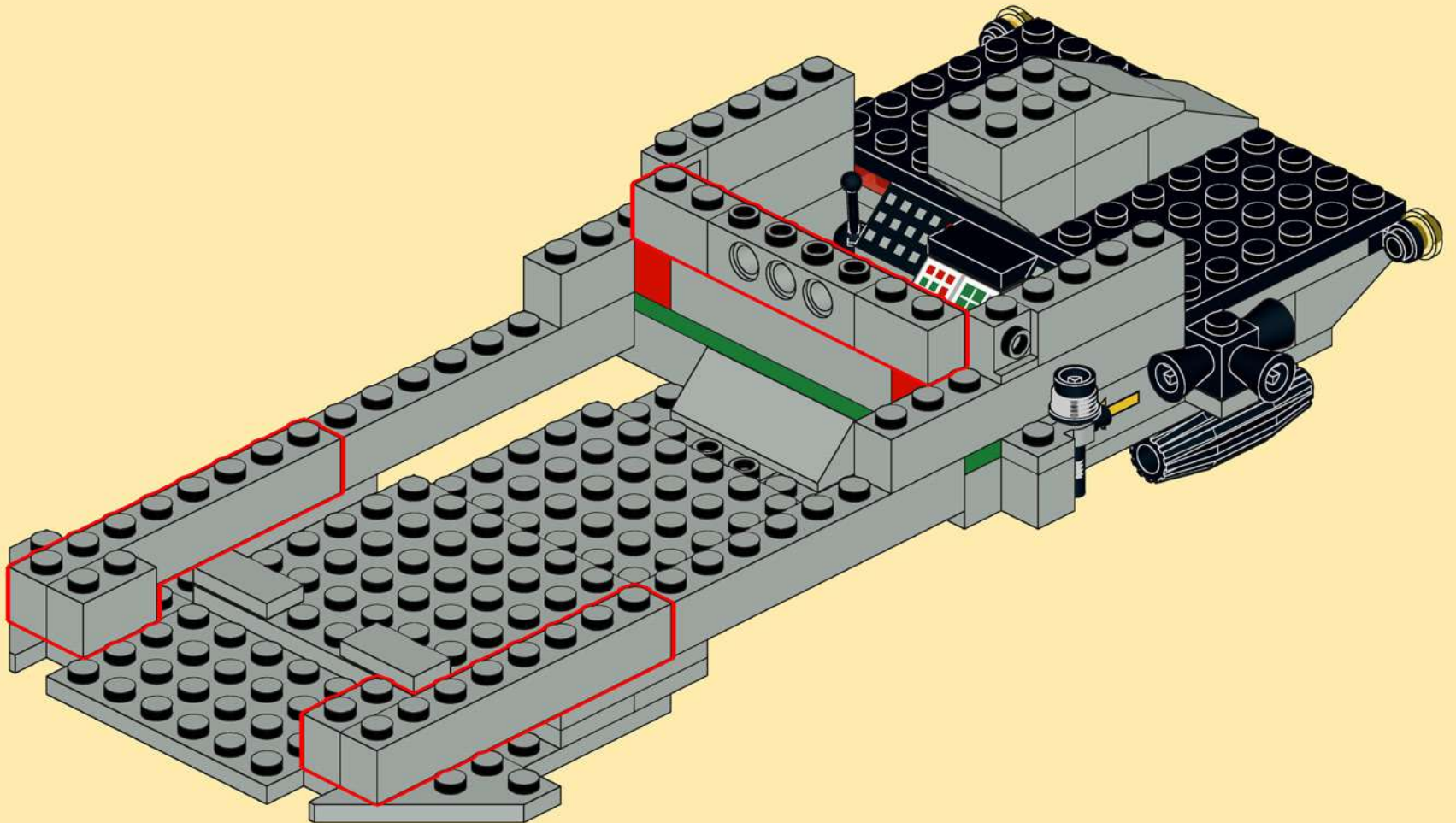


23

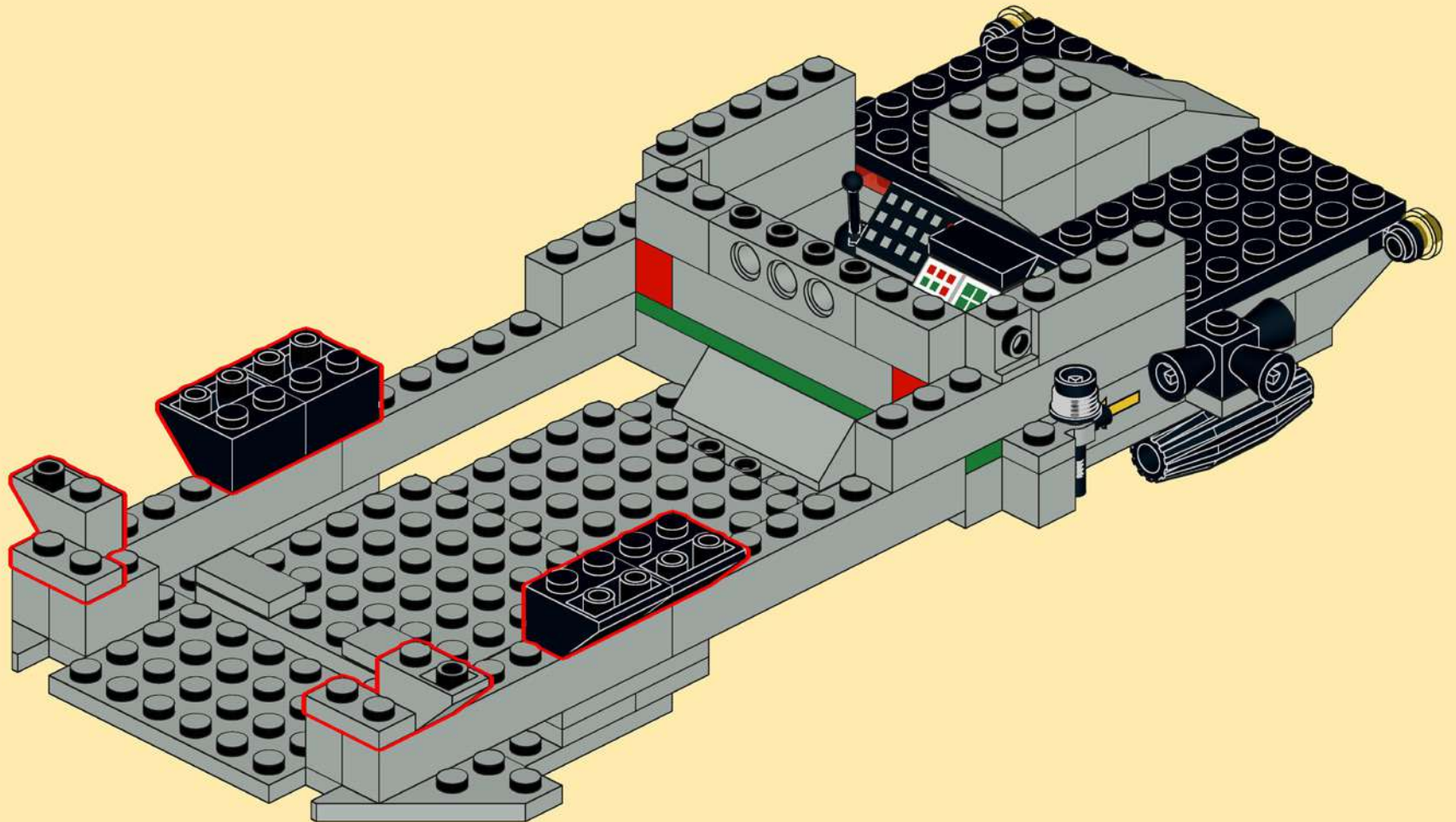
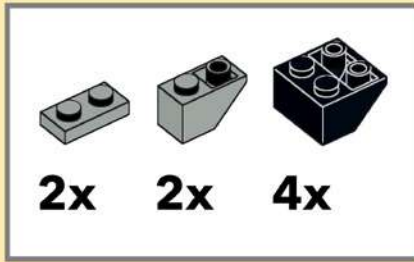


Stability tip

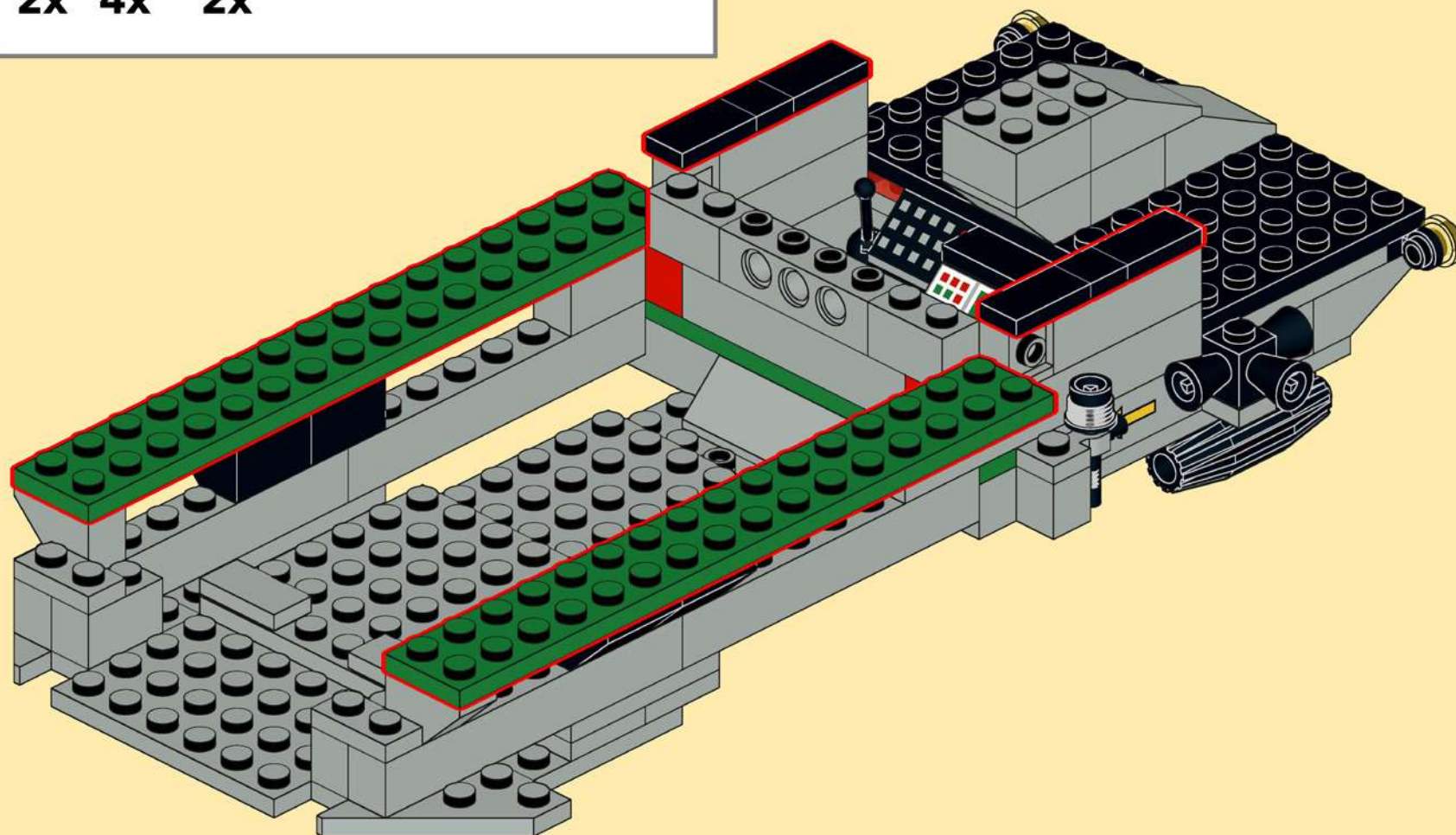
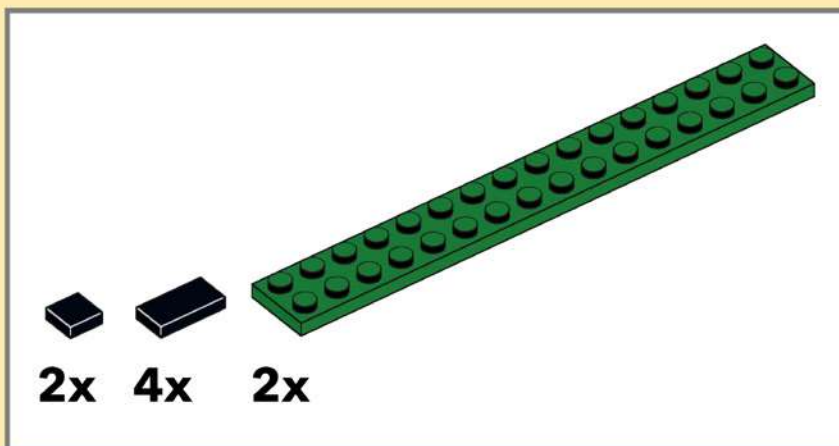
The building steps show how to build an exact replica of the original model. However, to improve stability I can recommend replacing the four 2x8 bricks with two 1x16 bricks.



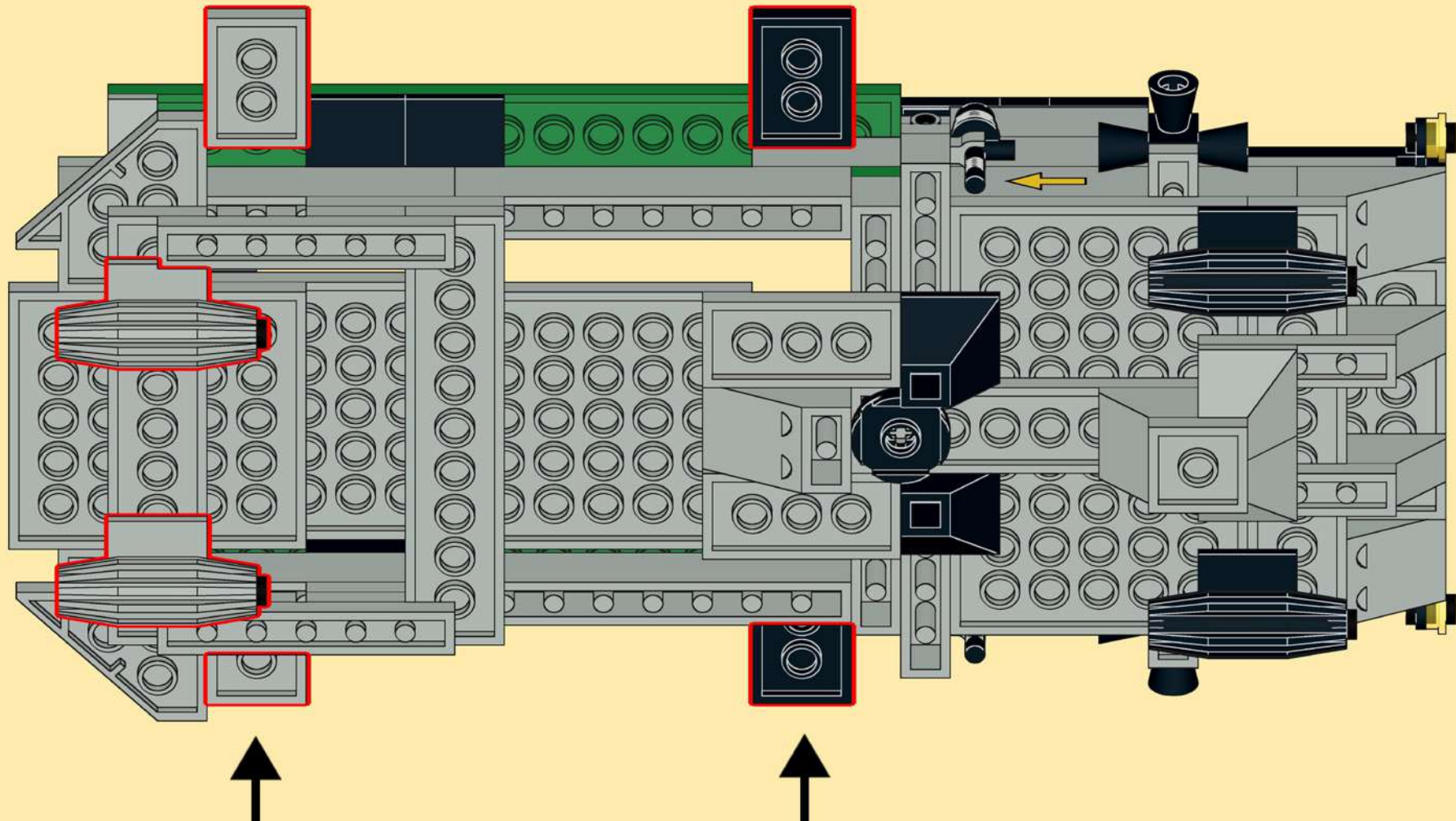
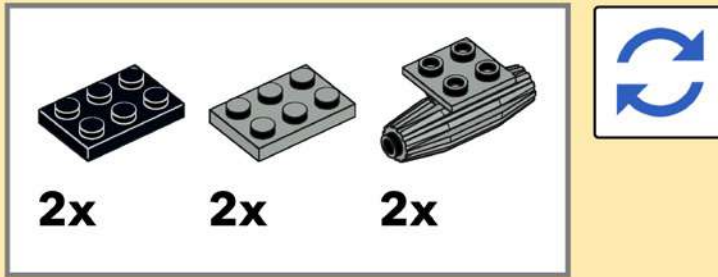
24



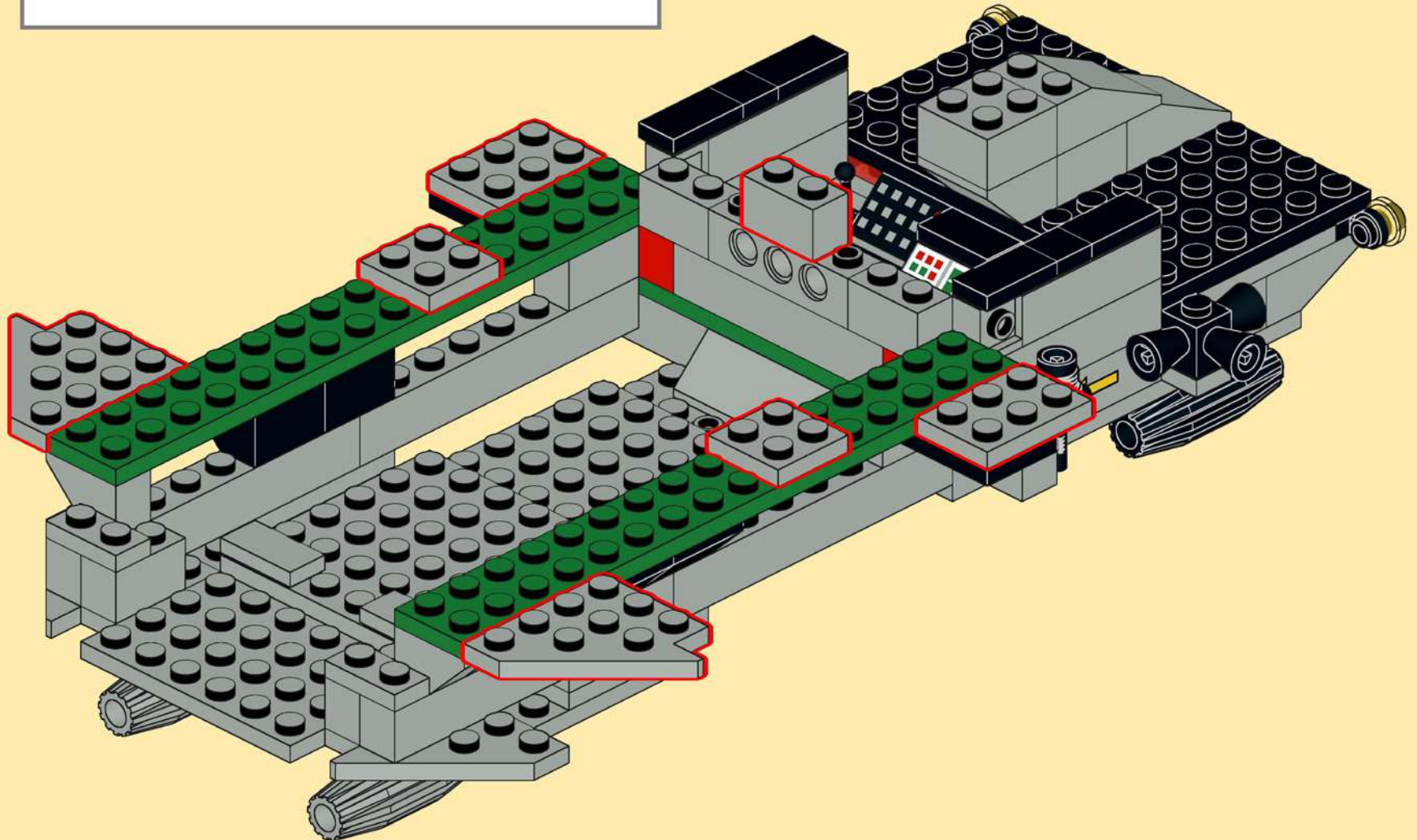
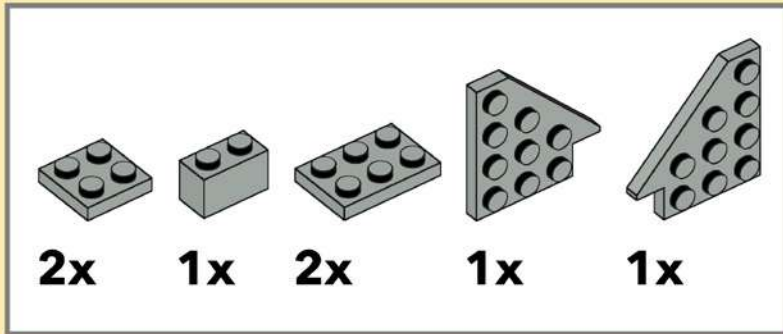
25



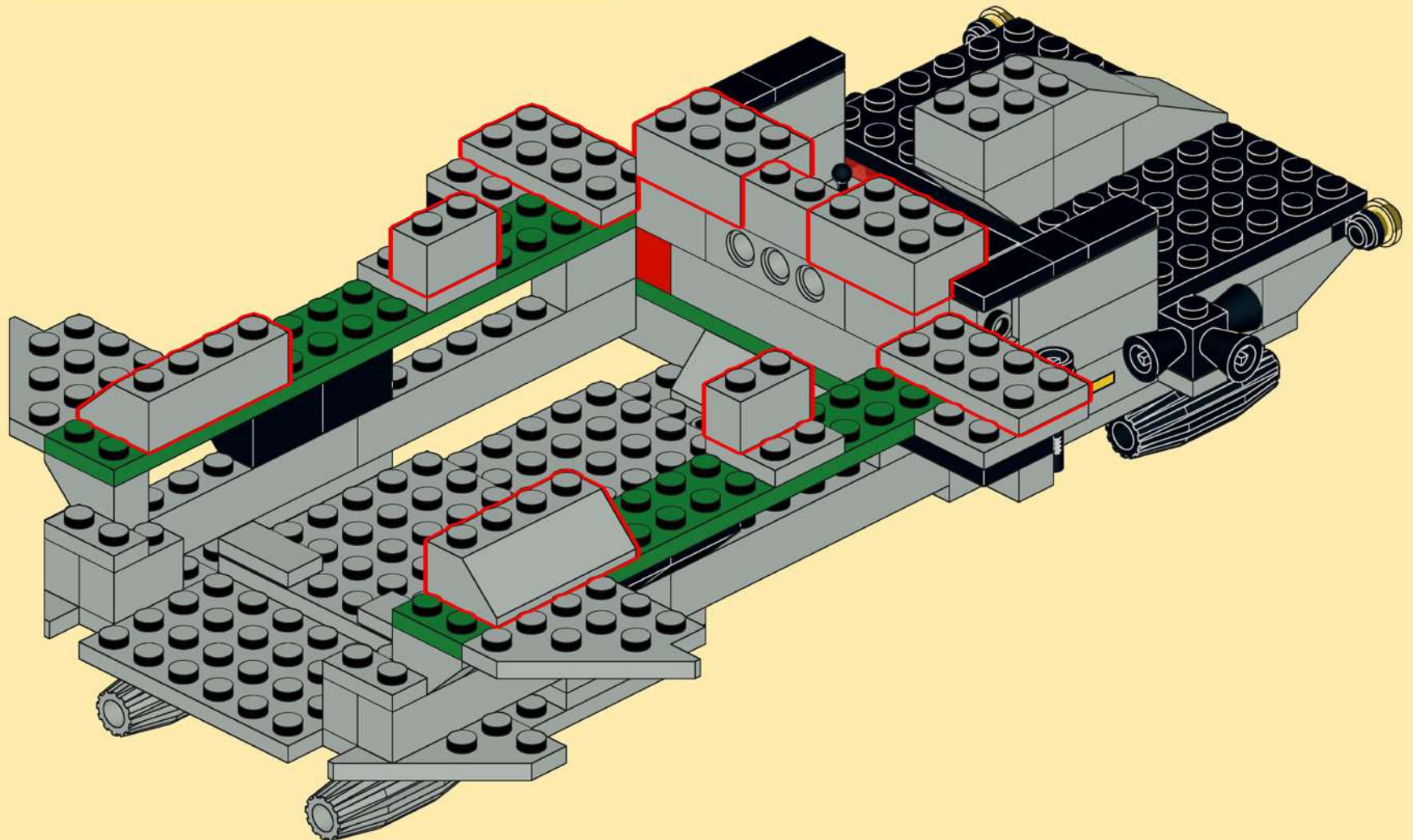
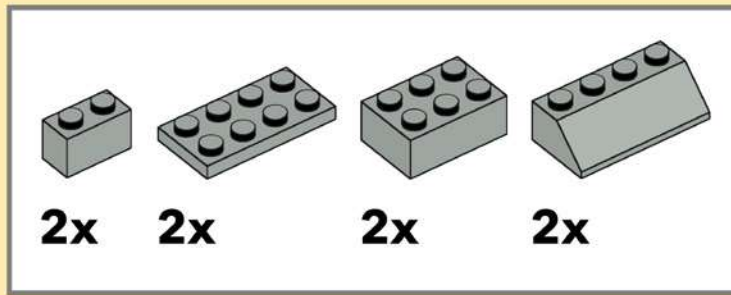
26



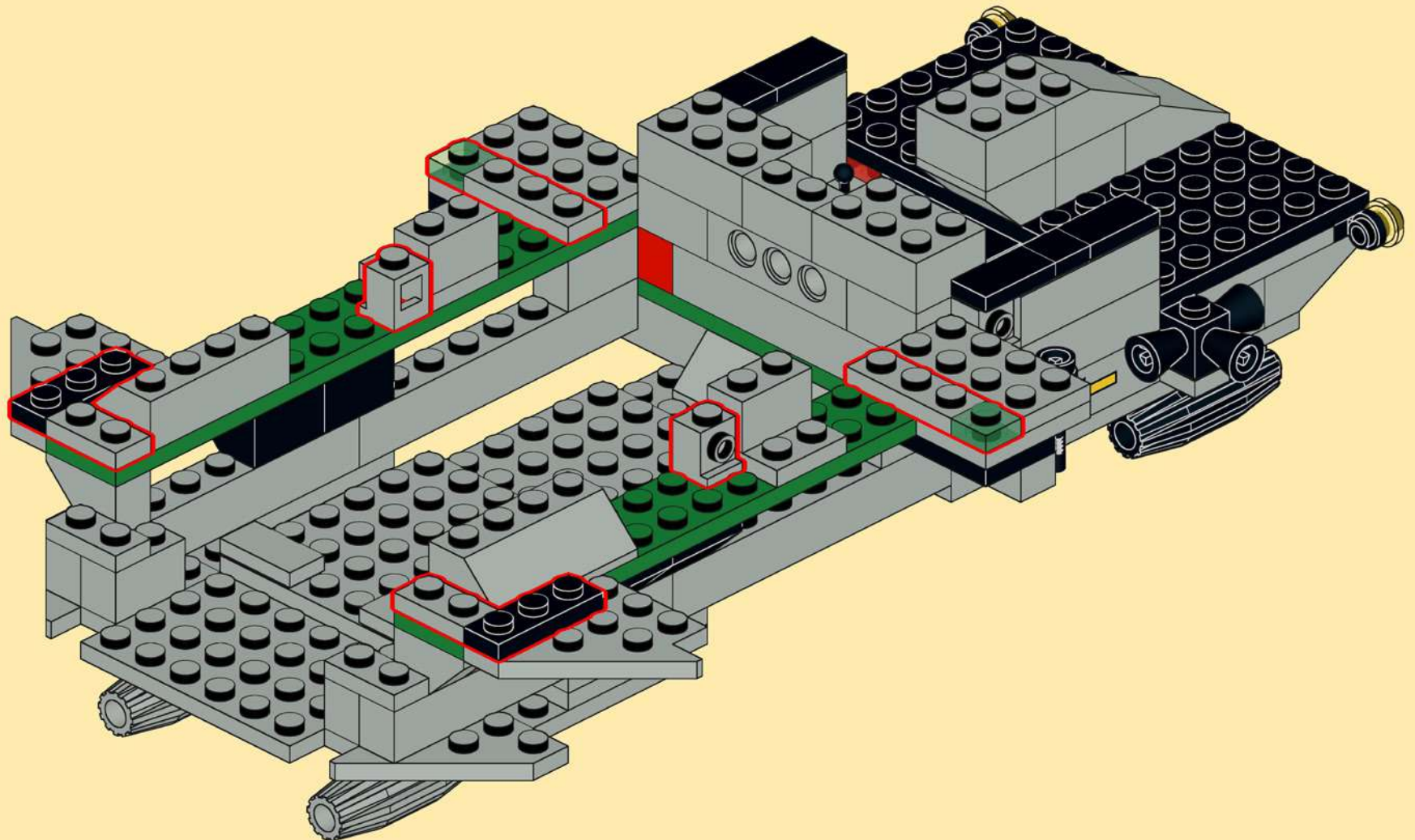
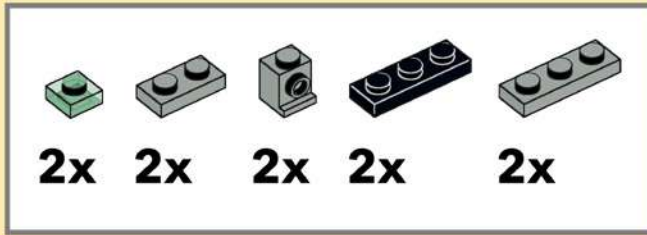
27



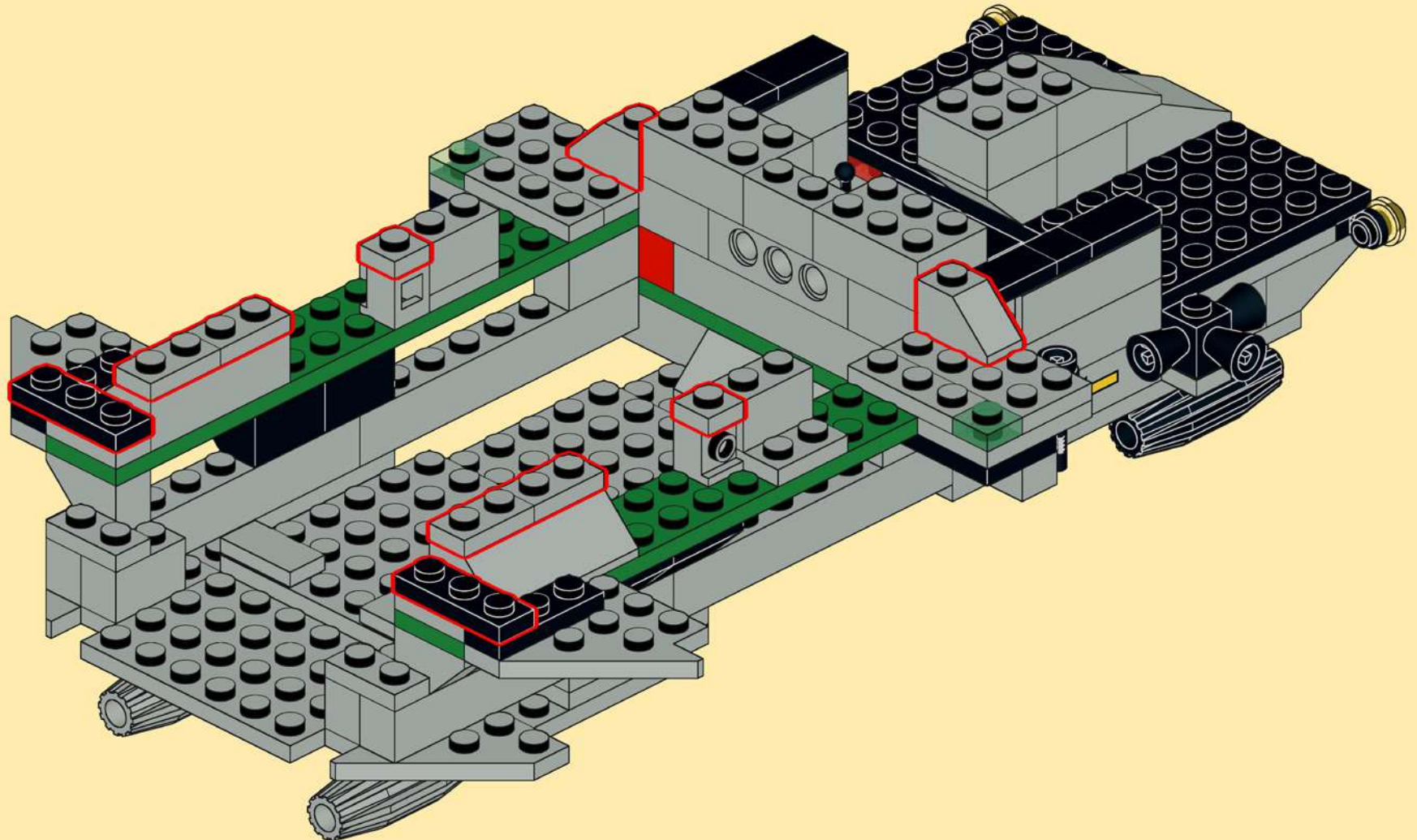
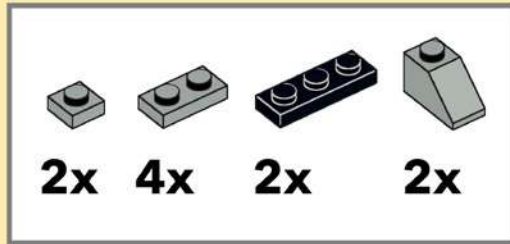
28



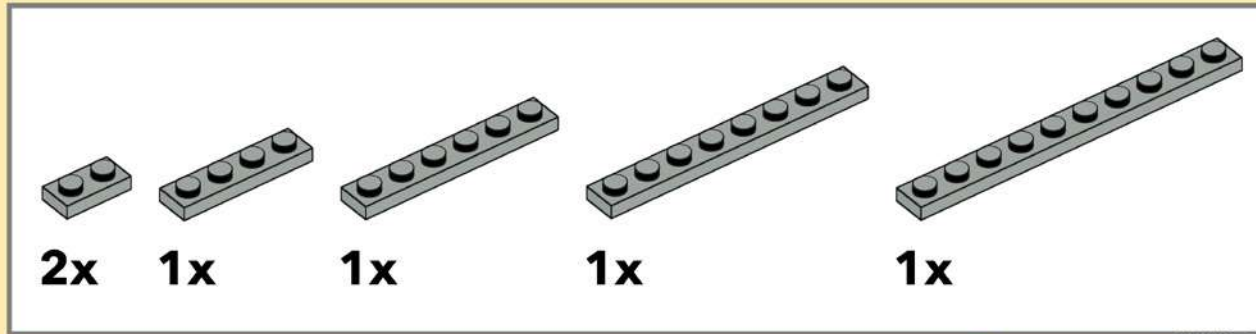
29



30

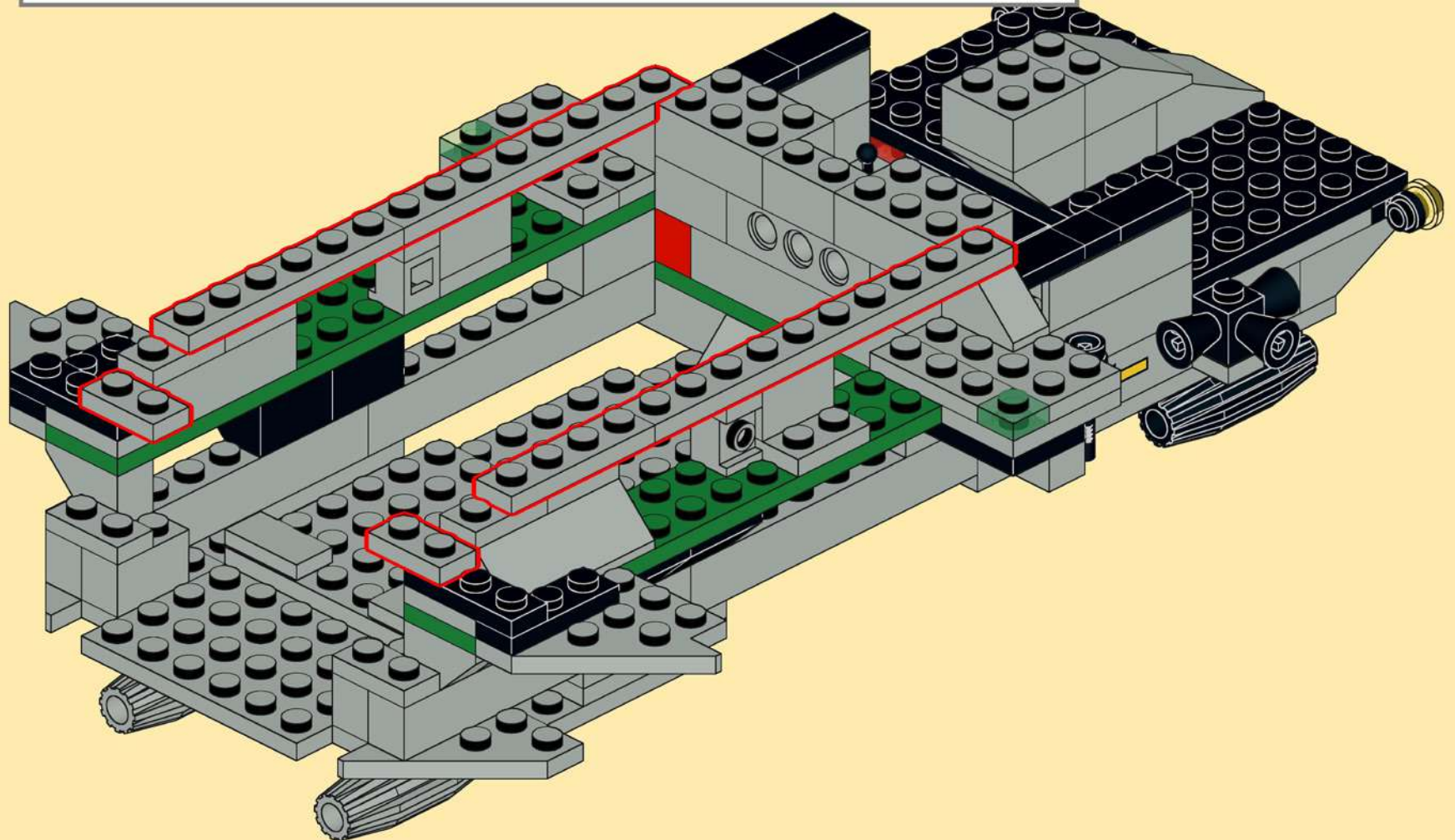


31

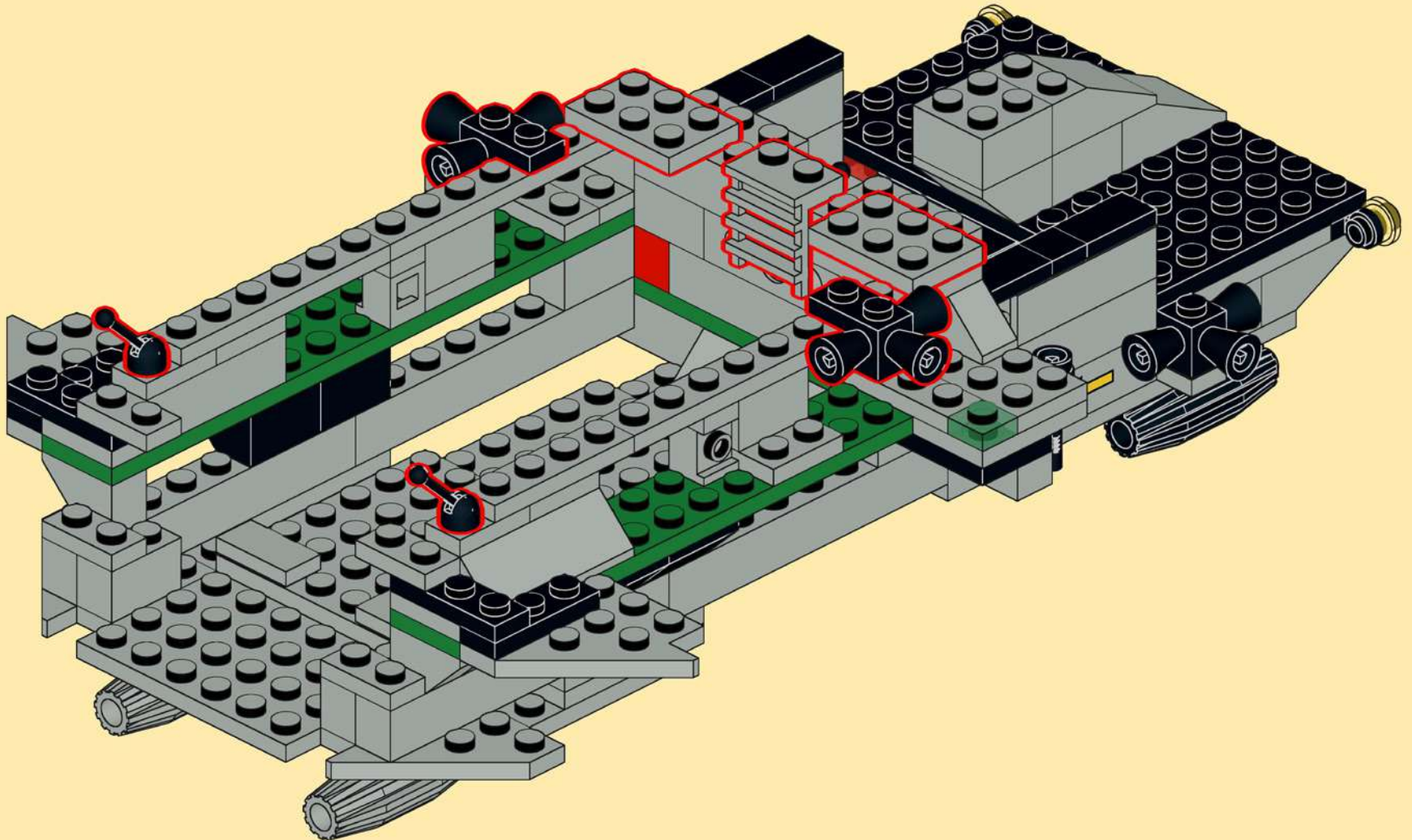
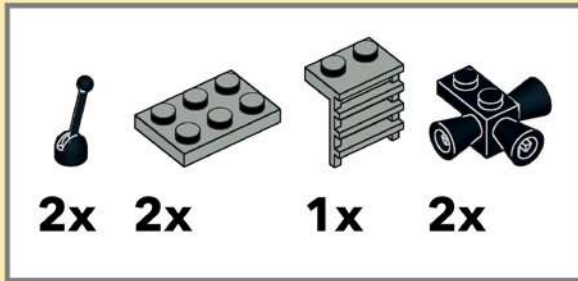


Stability tip

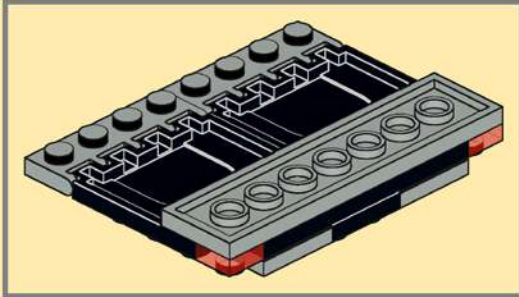
The building steps show how to build an exact replica of the original model. However, to improve stability and symmetry, I can recommend replacing the top plates with two 1×8 plates in the rear and two 1×6 plates in the front (of the rear section).



32



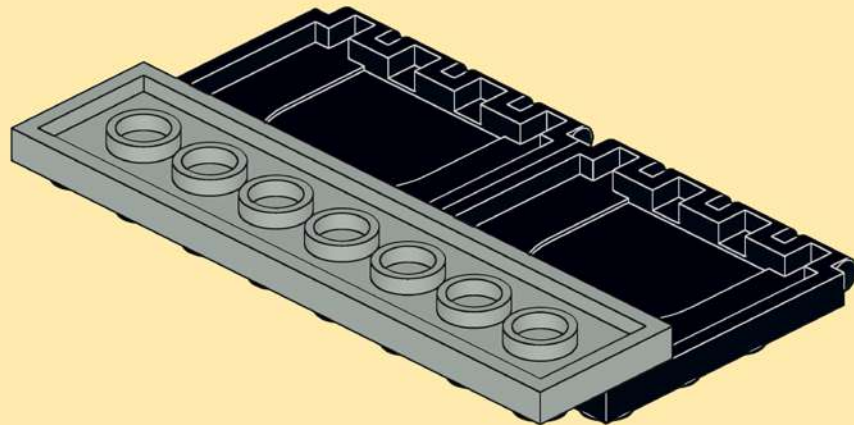
33



2x



1x



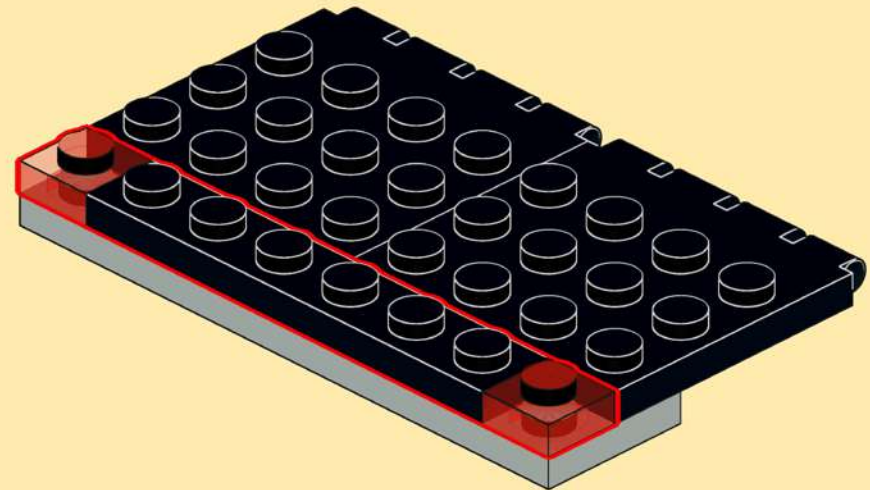
34



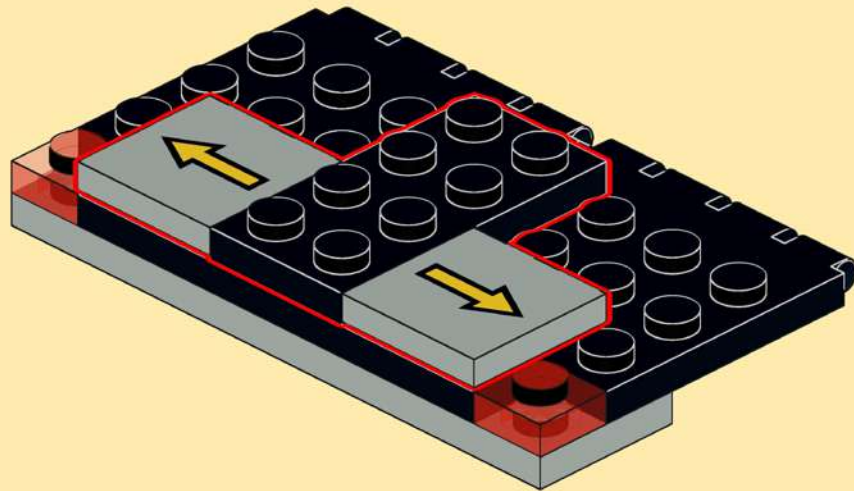
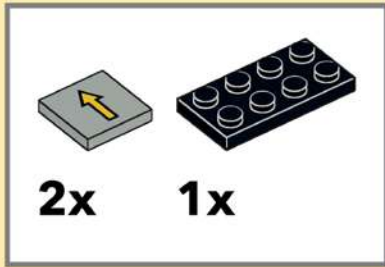
2x



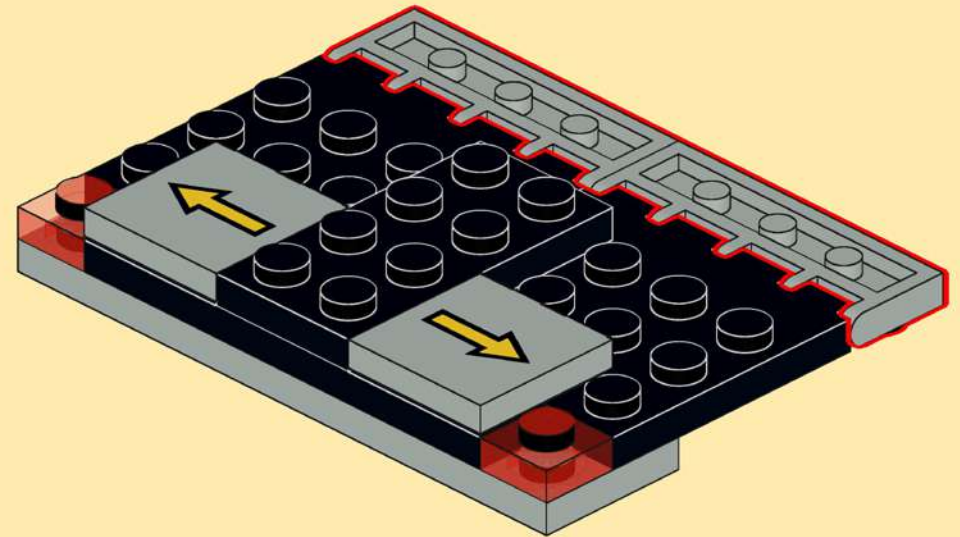
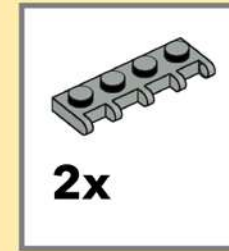
1x



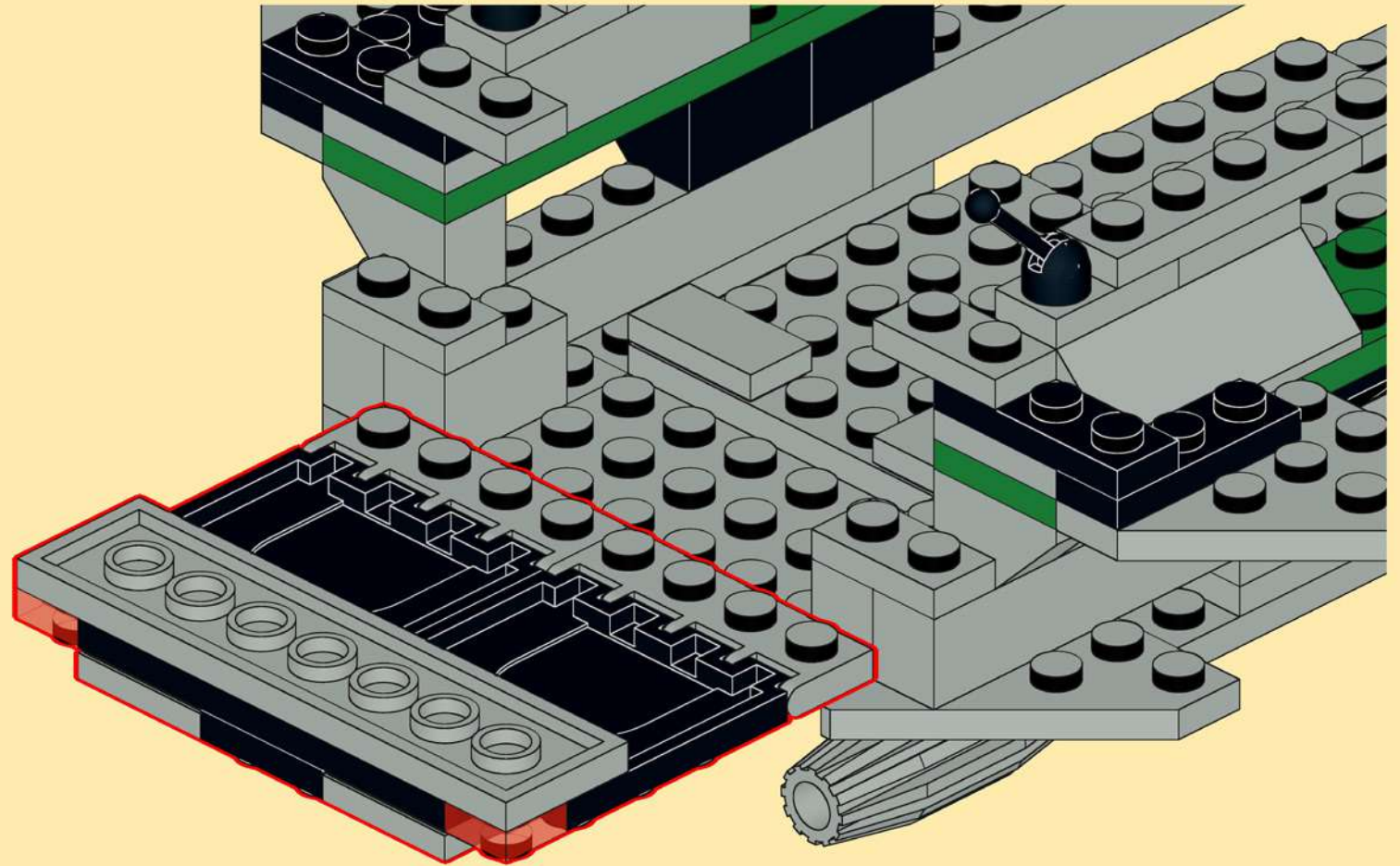
35



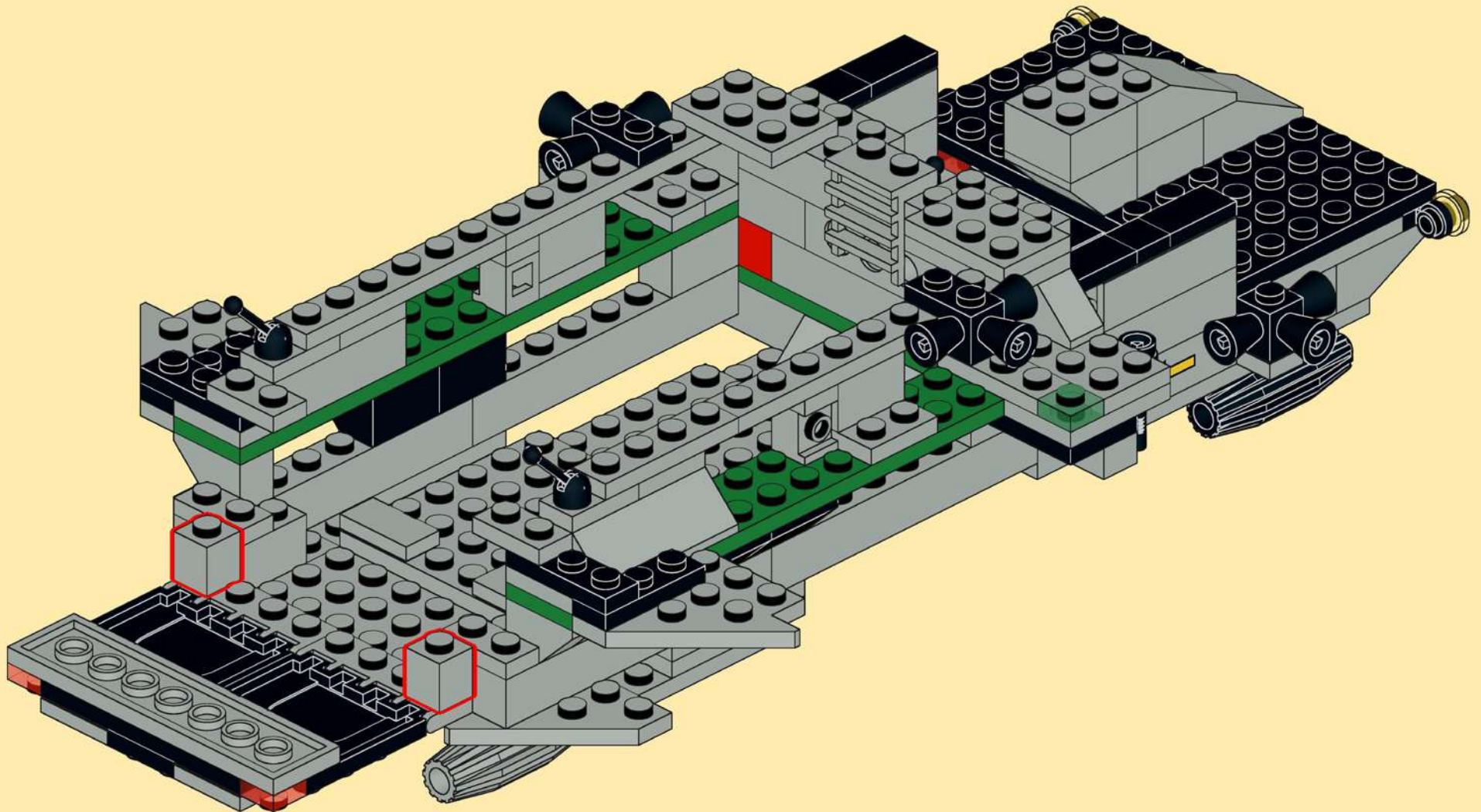
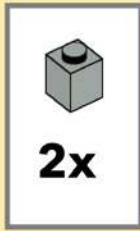
36



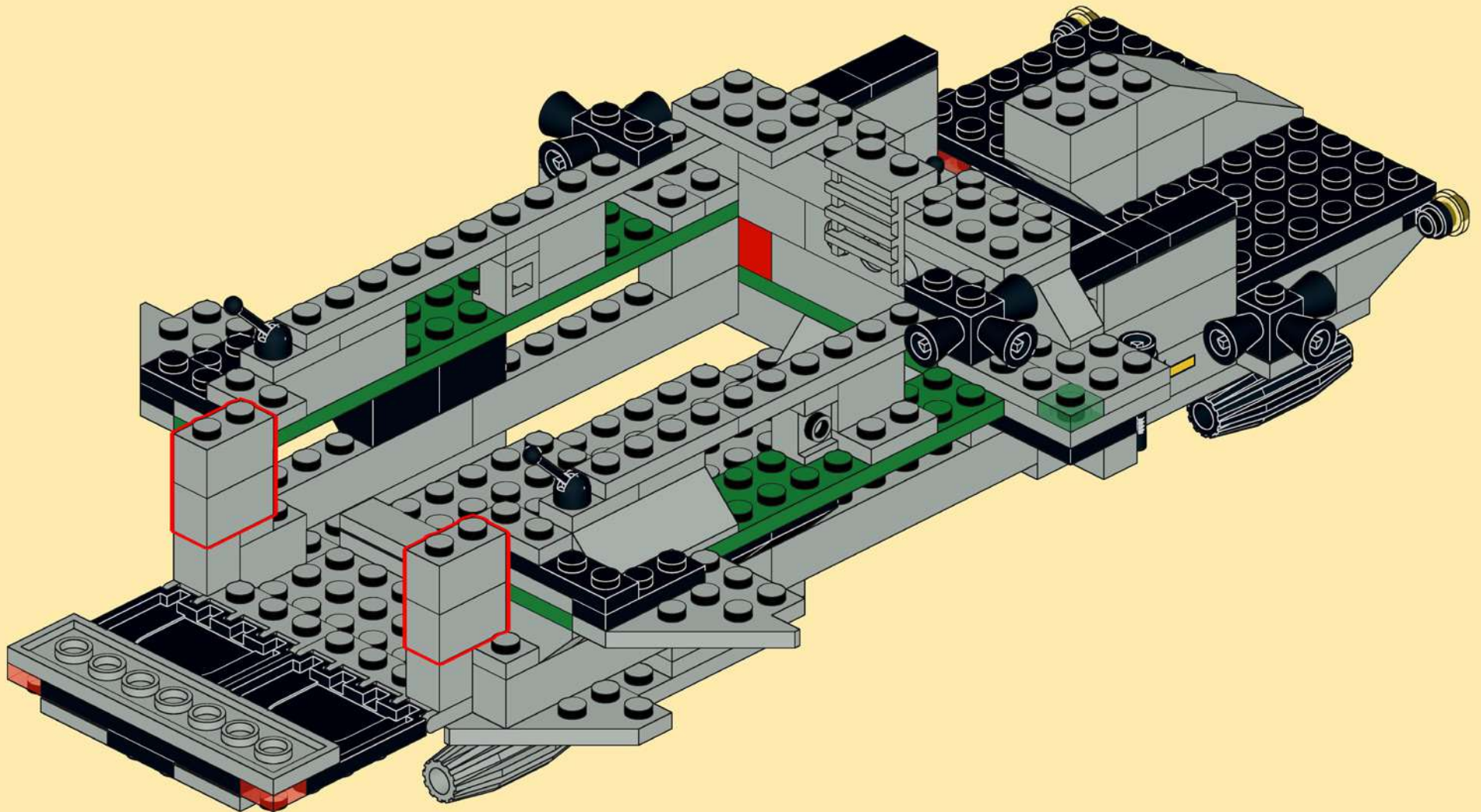
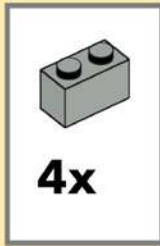
37



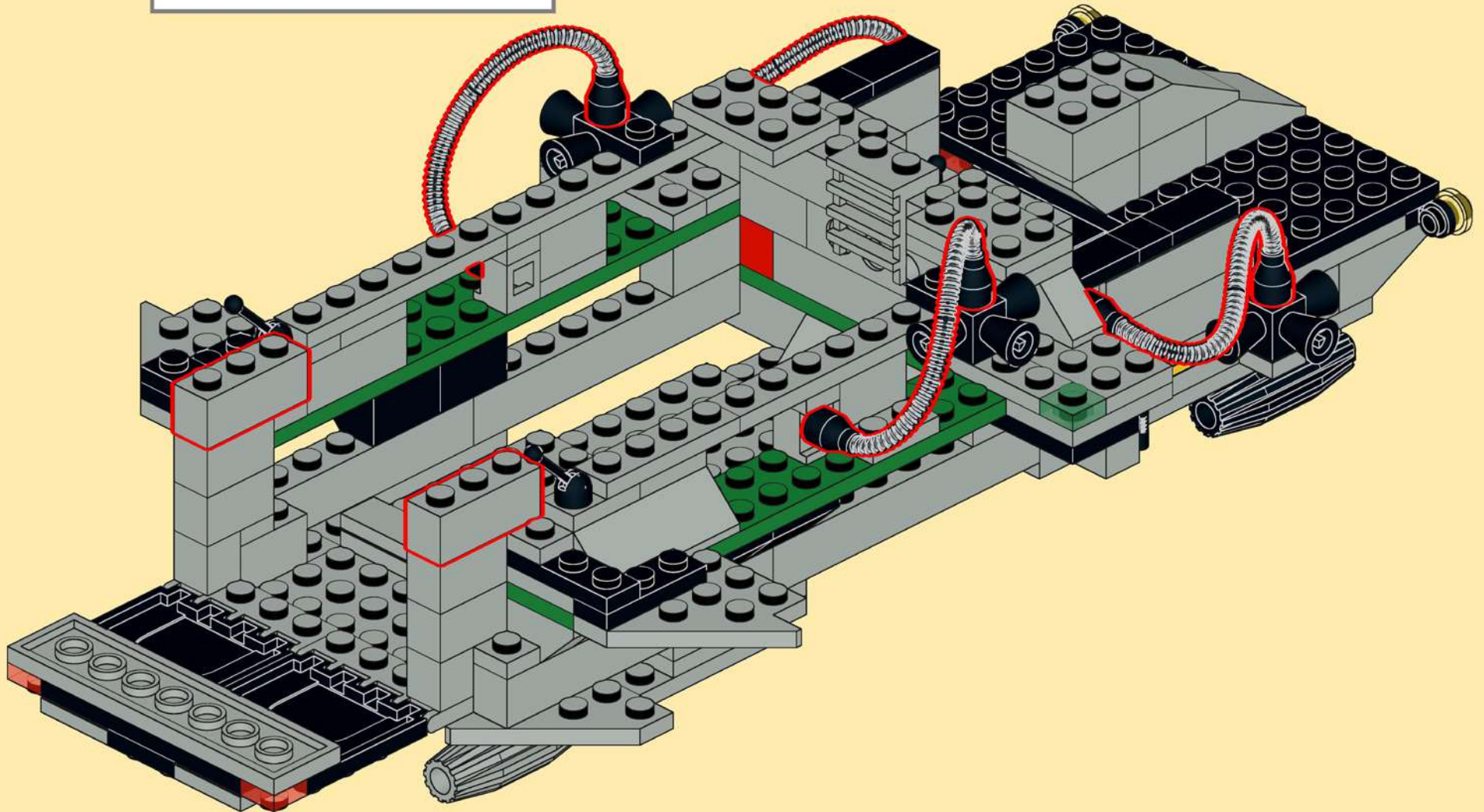
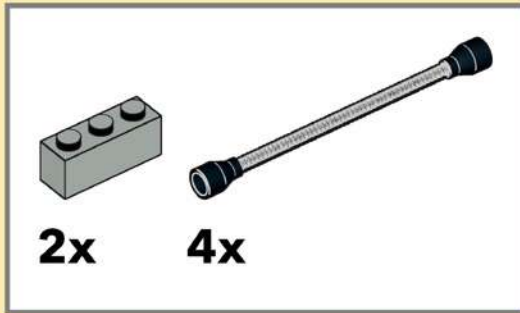
38



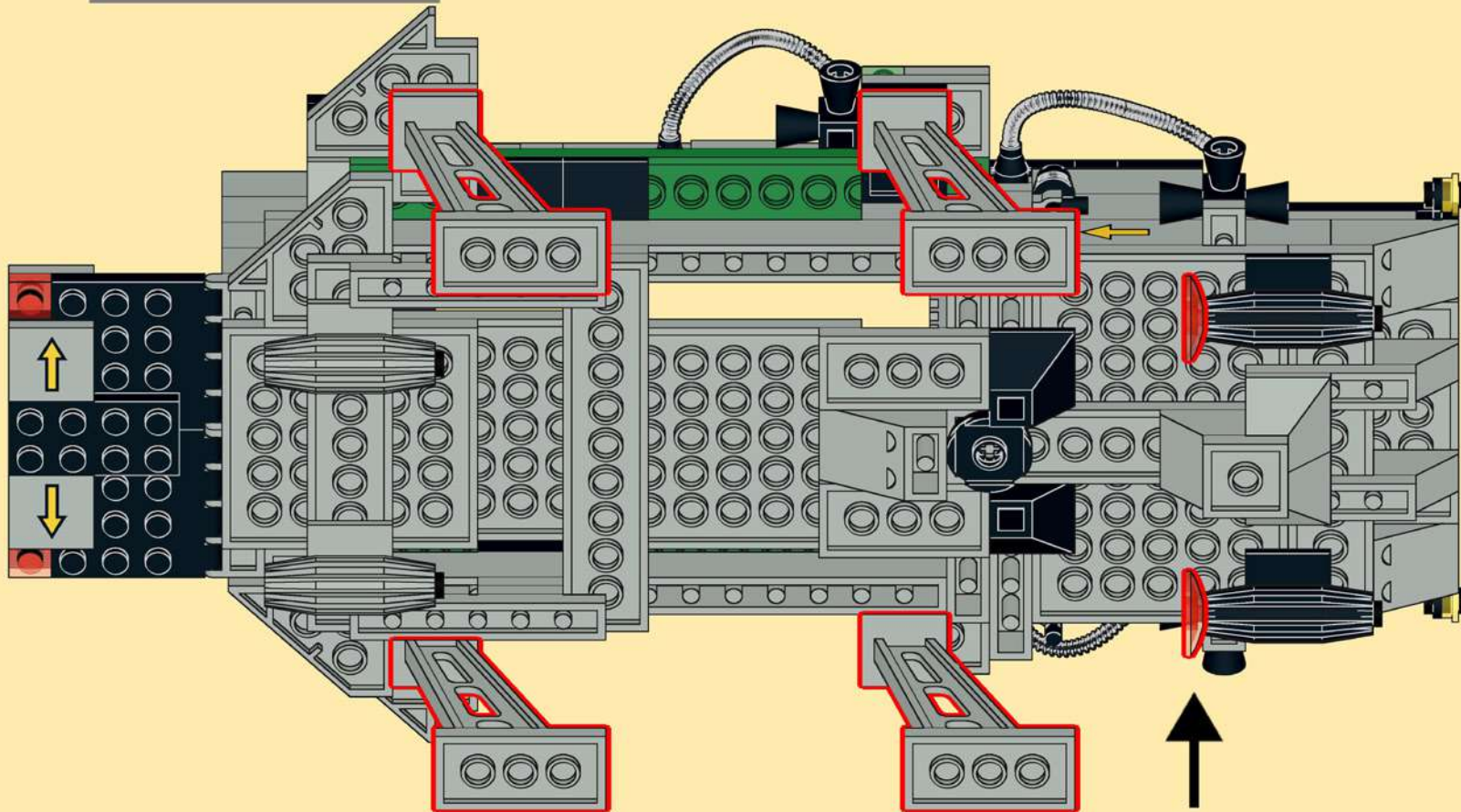
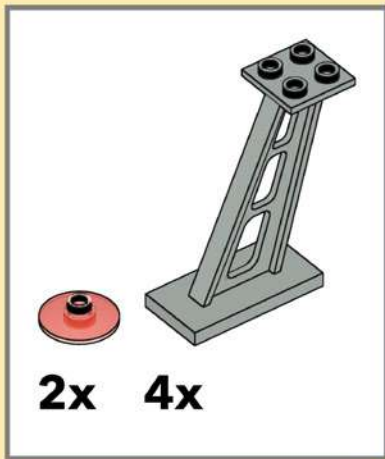
39



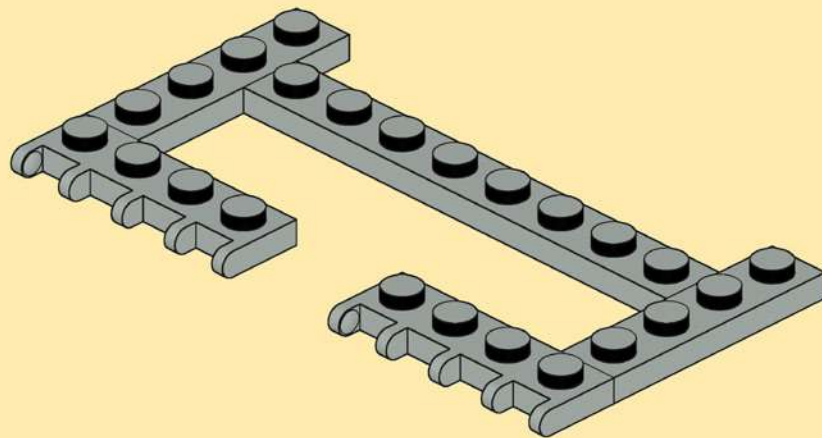
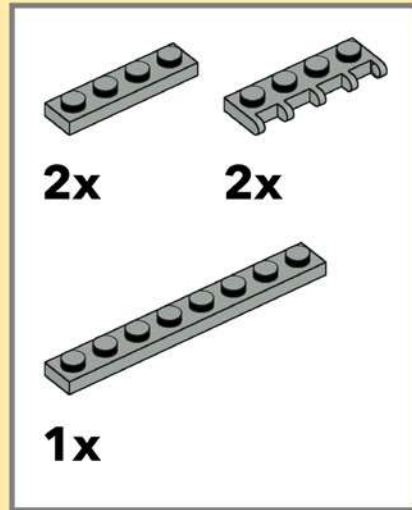
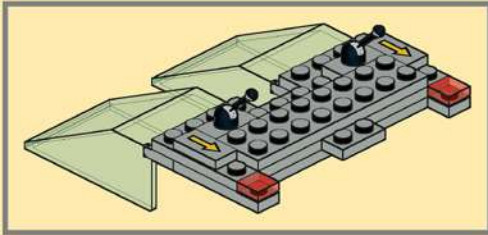
40



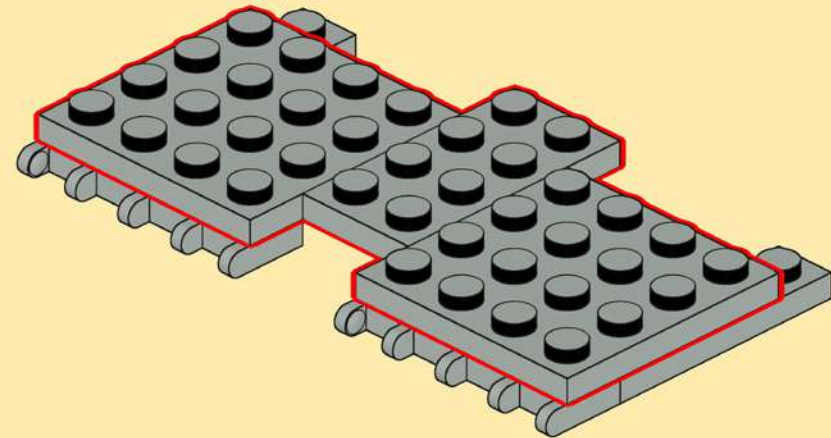
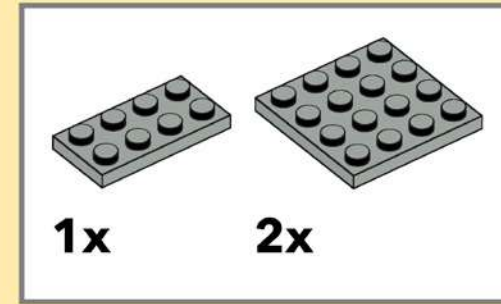
41



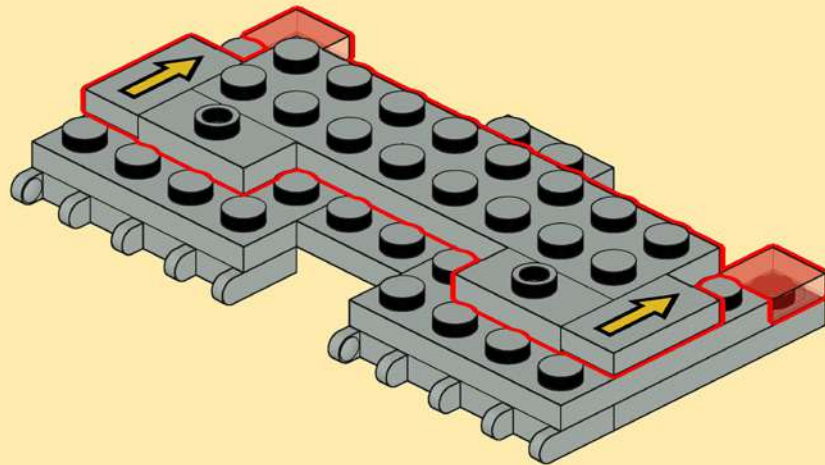
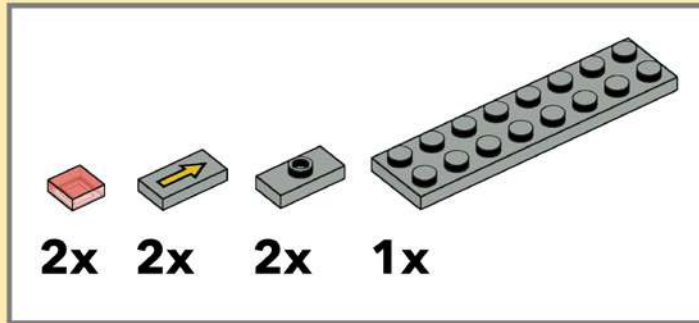
42



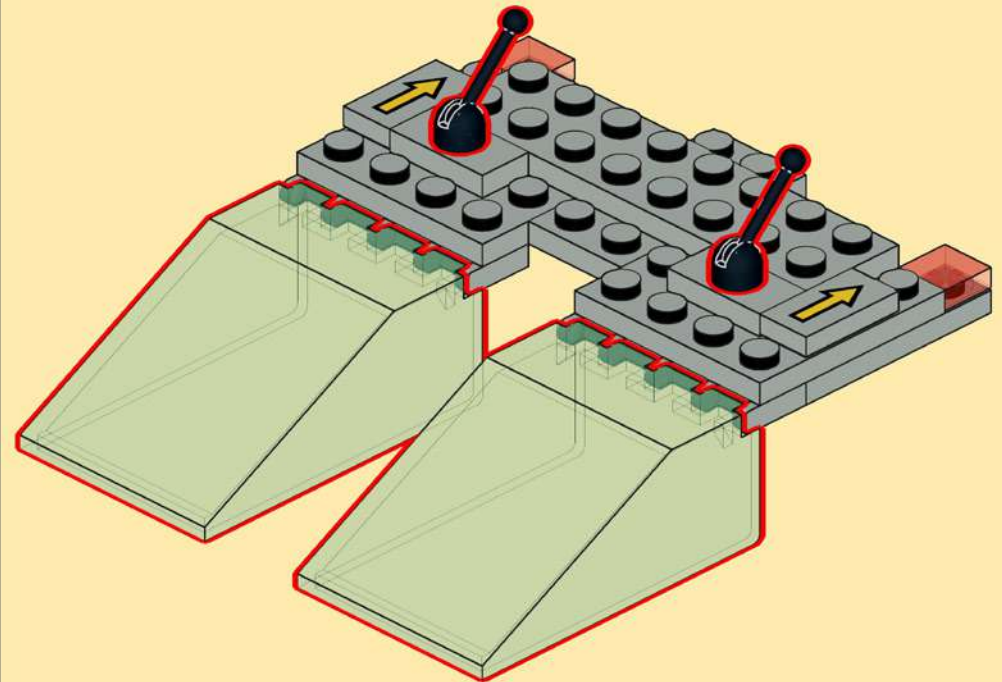
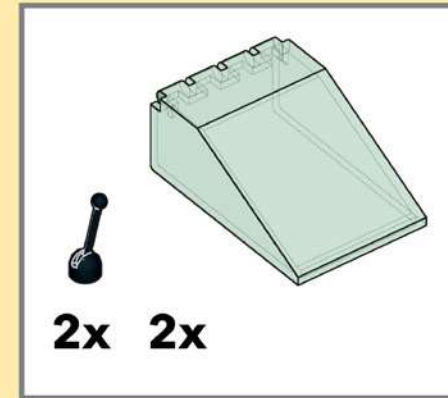
43



44



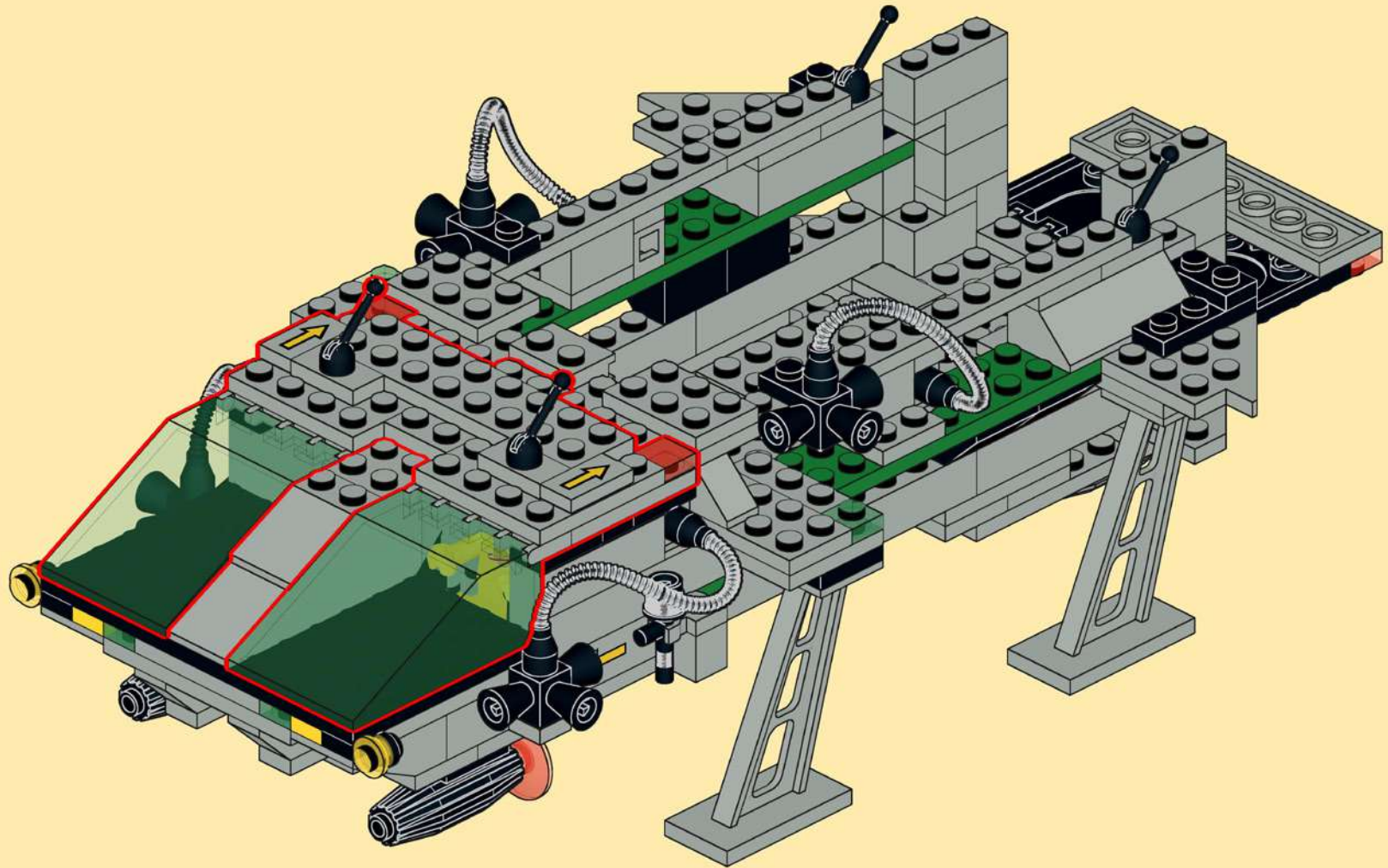
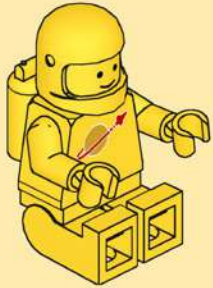
45



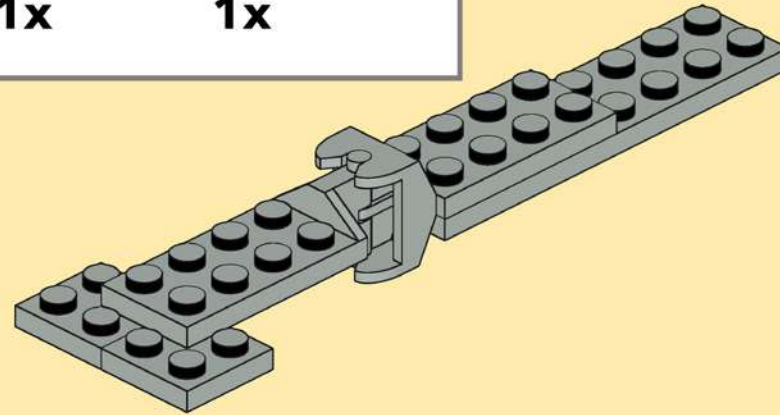
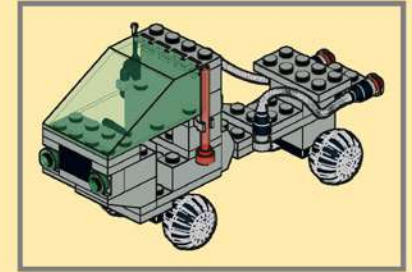
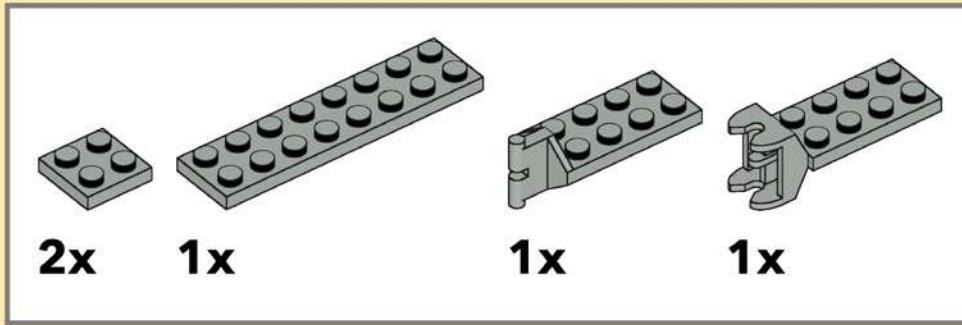
46

Fun fact

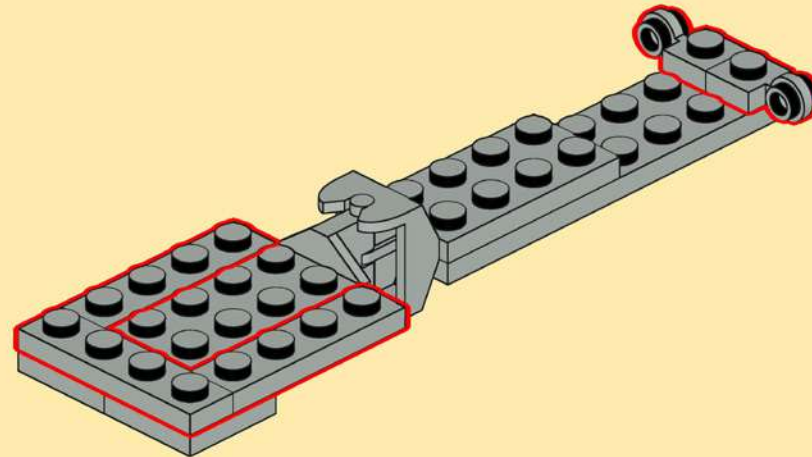
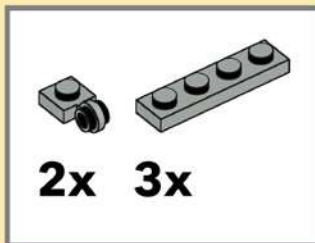
The cockpit surprisingly opens up at the roof, with the two Trans-Green canopies remaining in place. Very innovative at the time!



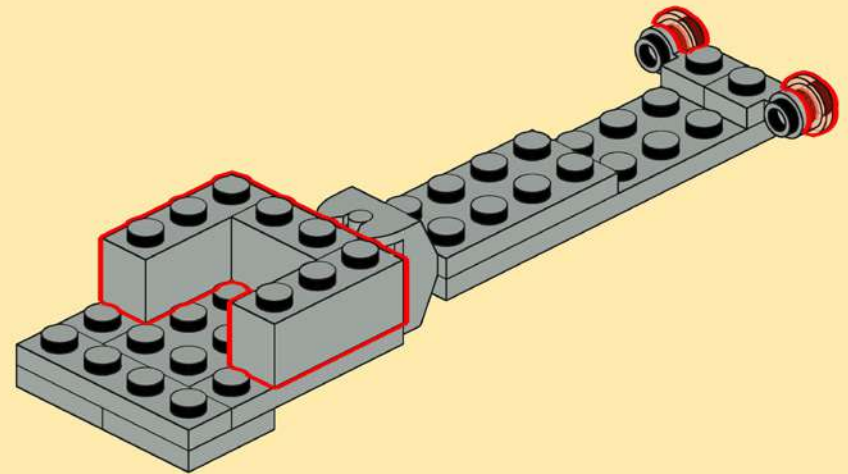
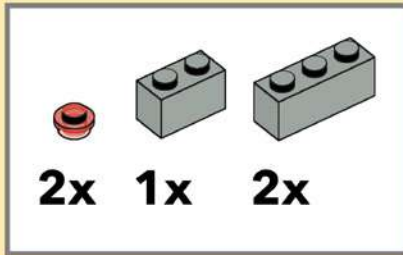
47



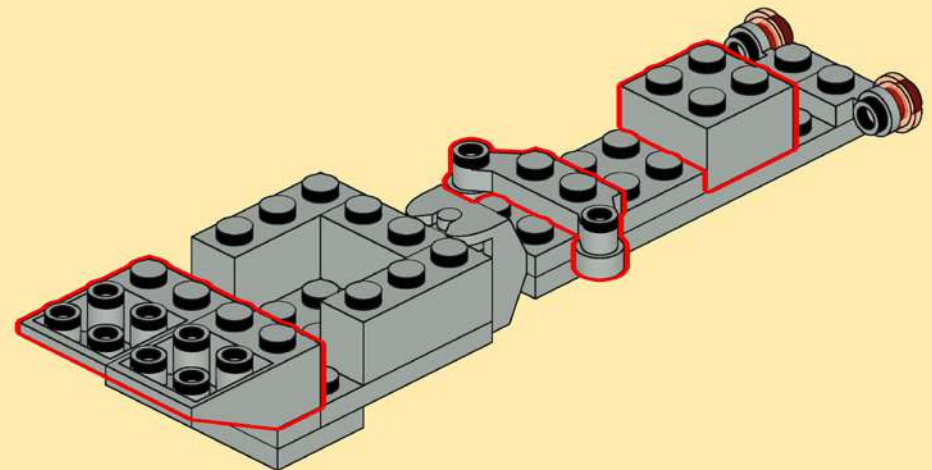
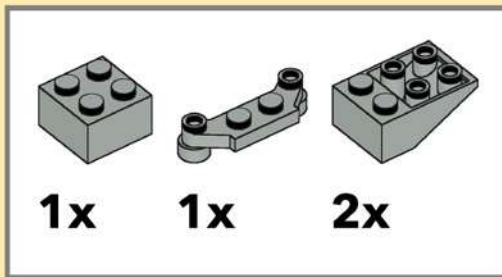
48



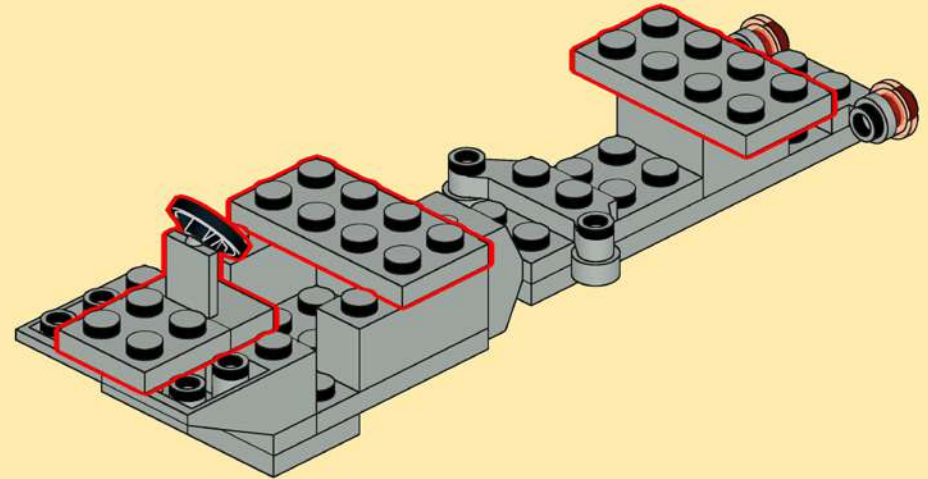
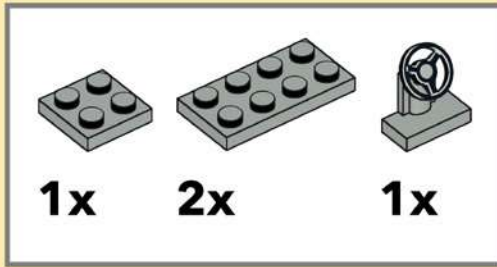
49



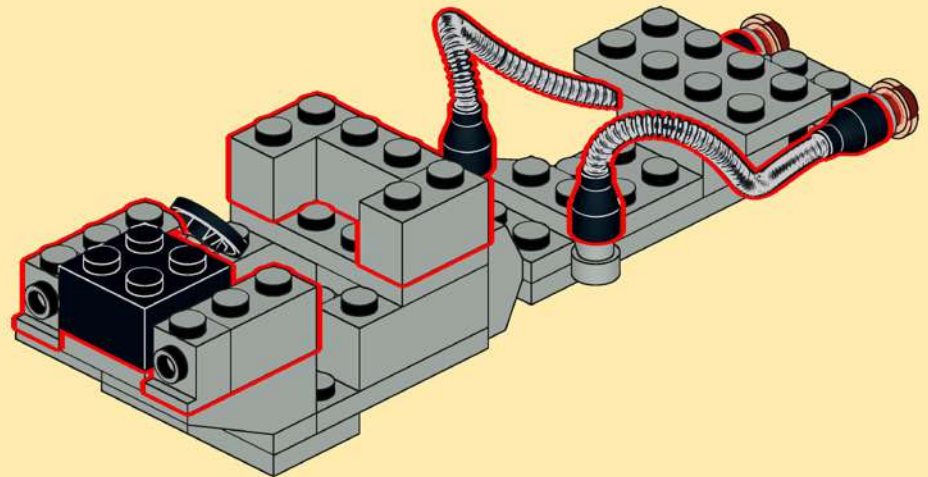
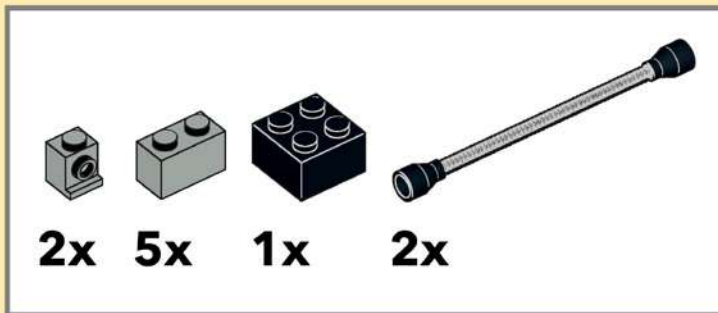
50



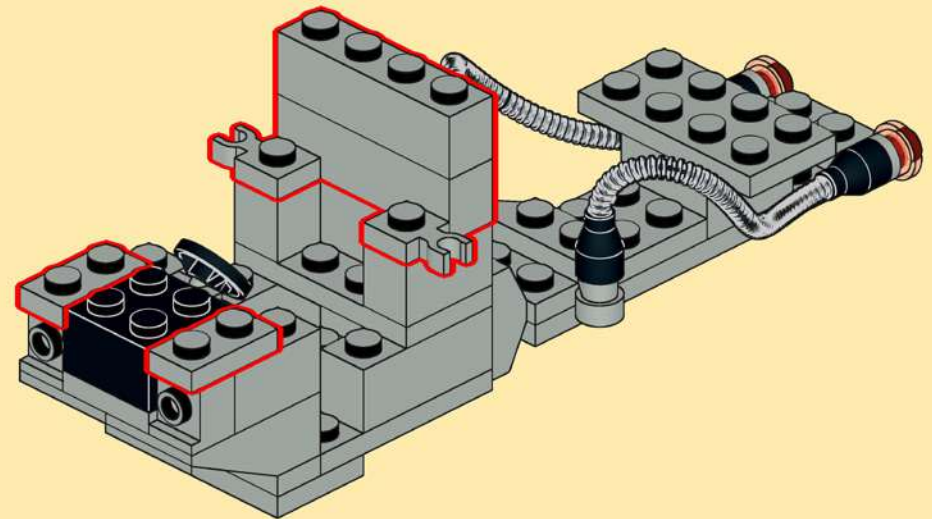
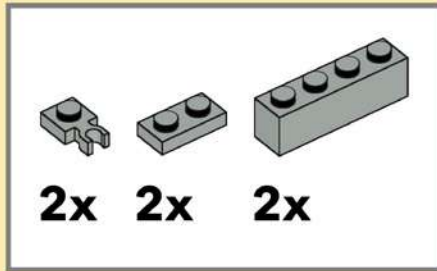
51



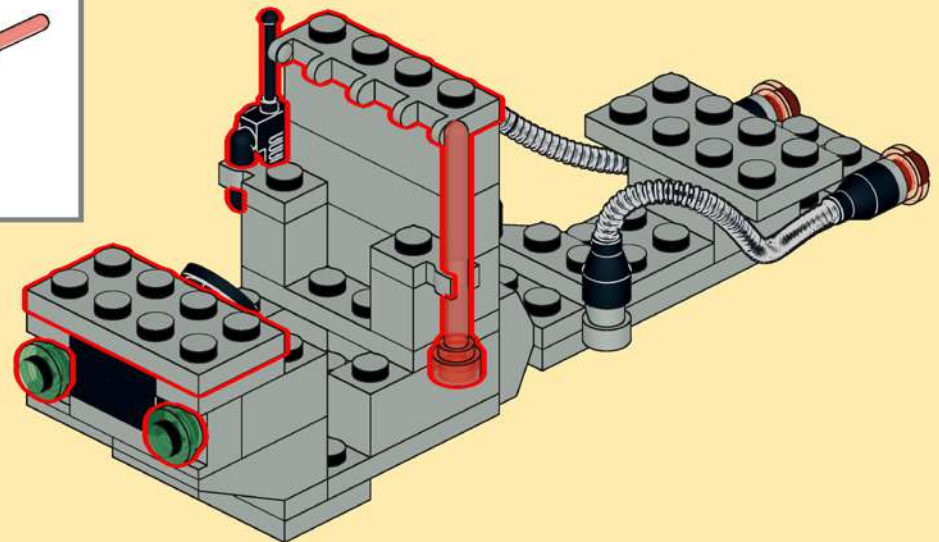
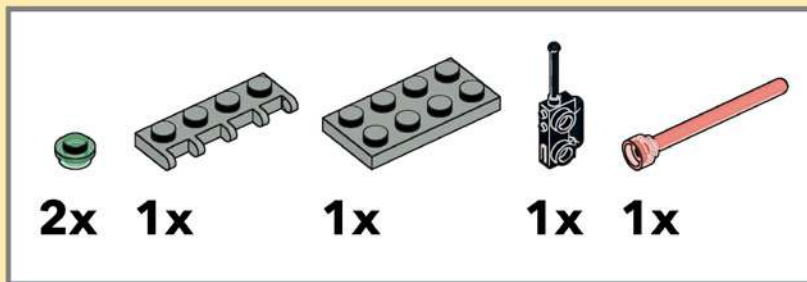
52



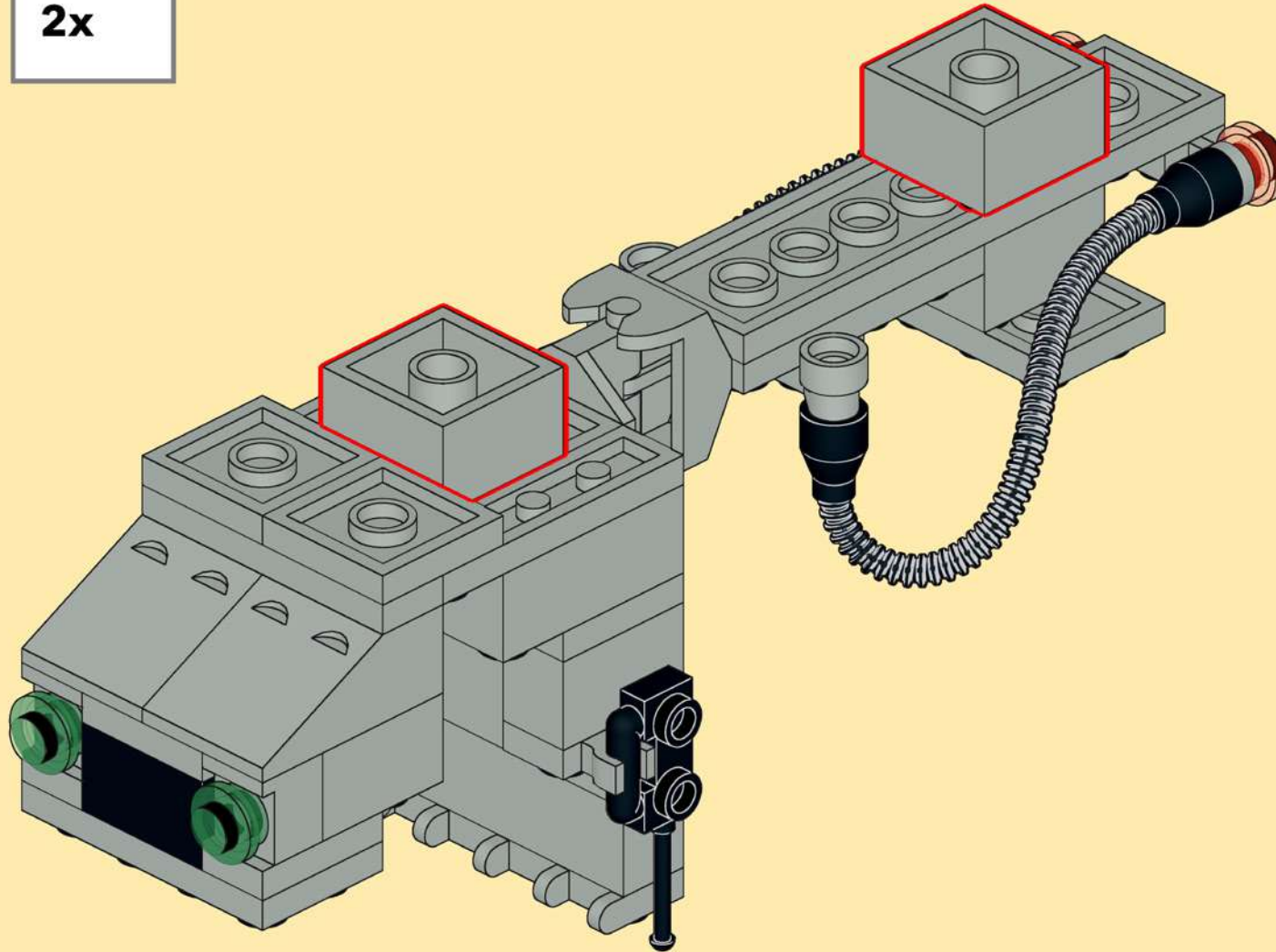
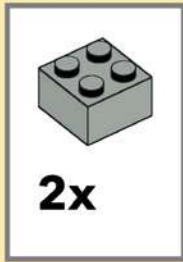
53



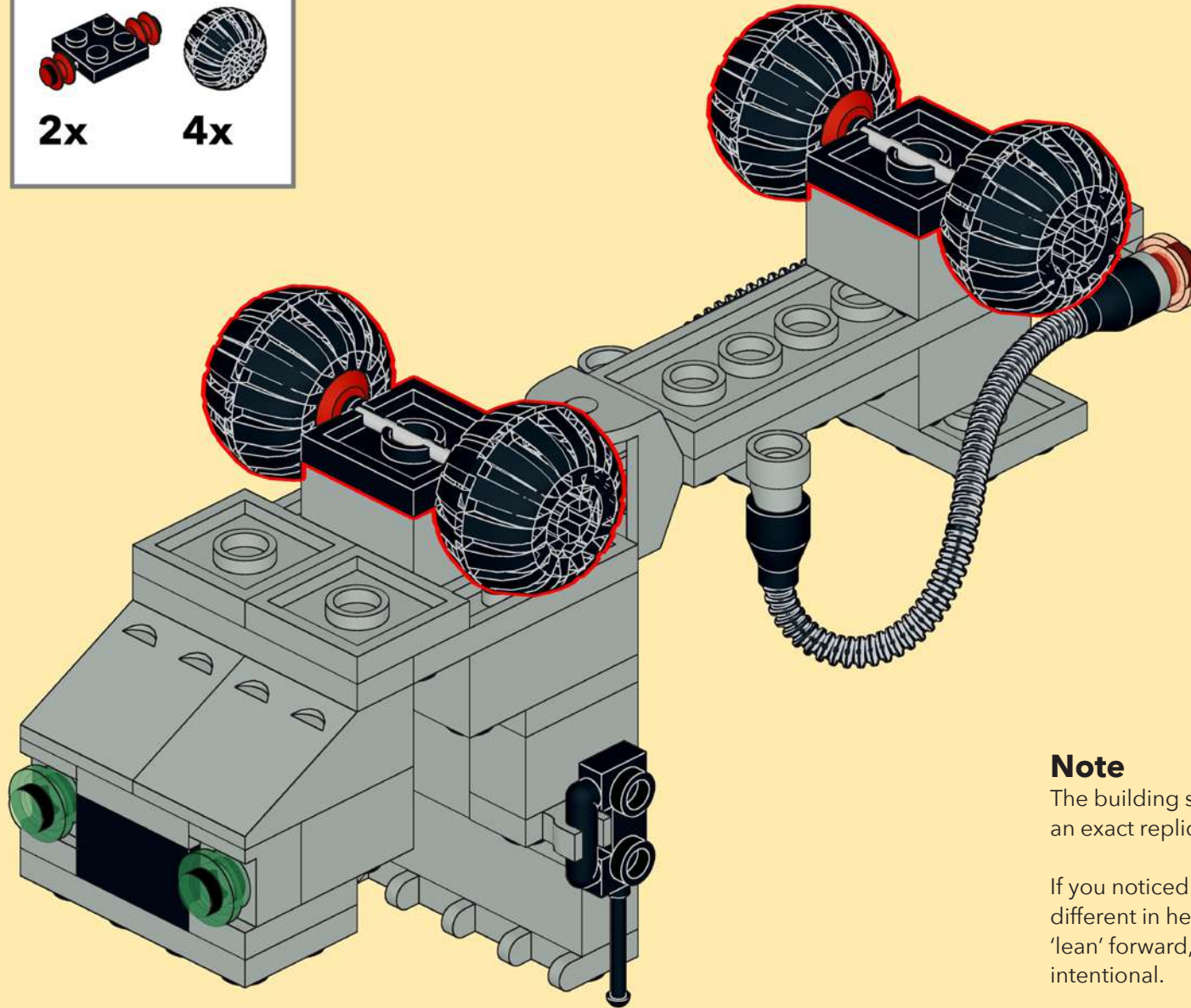
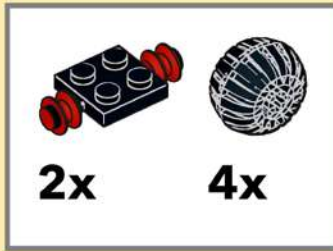
54



55



56

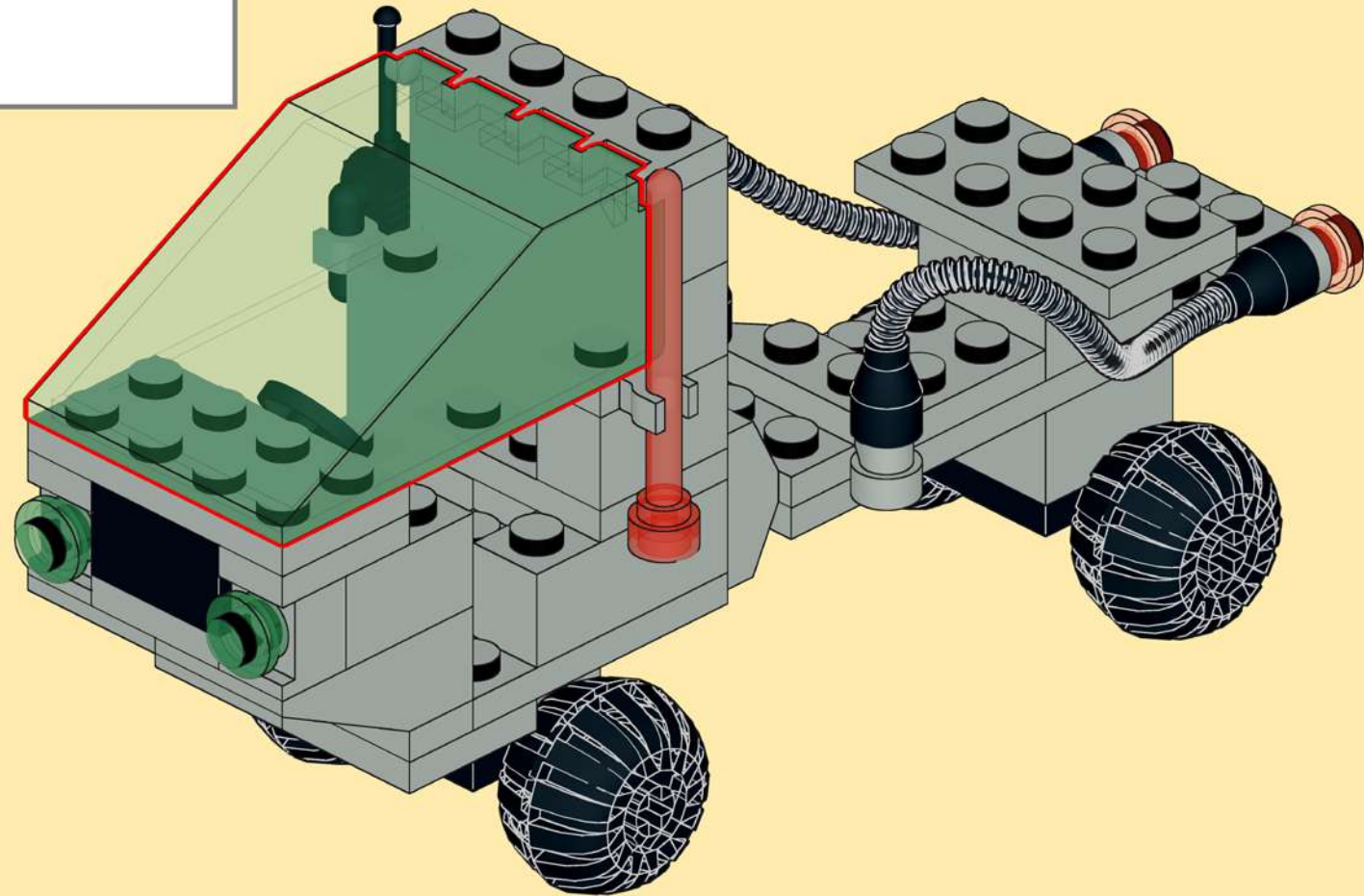
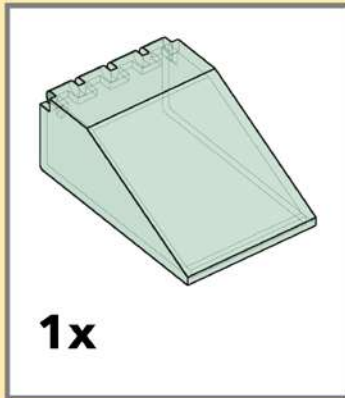


Note

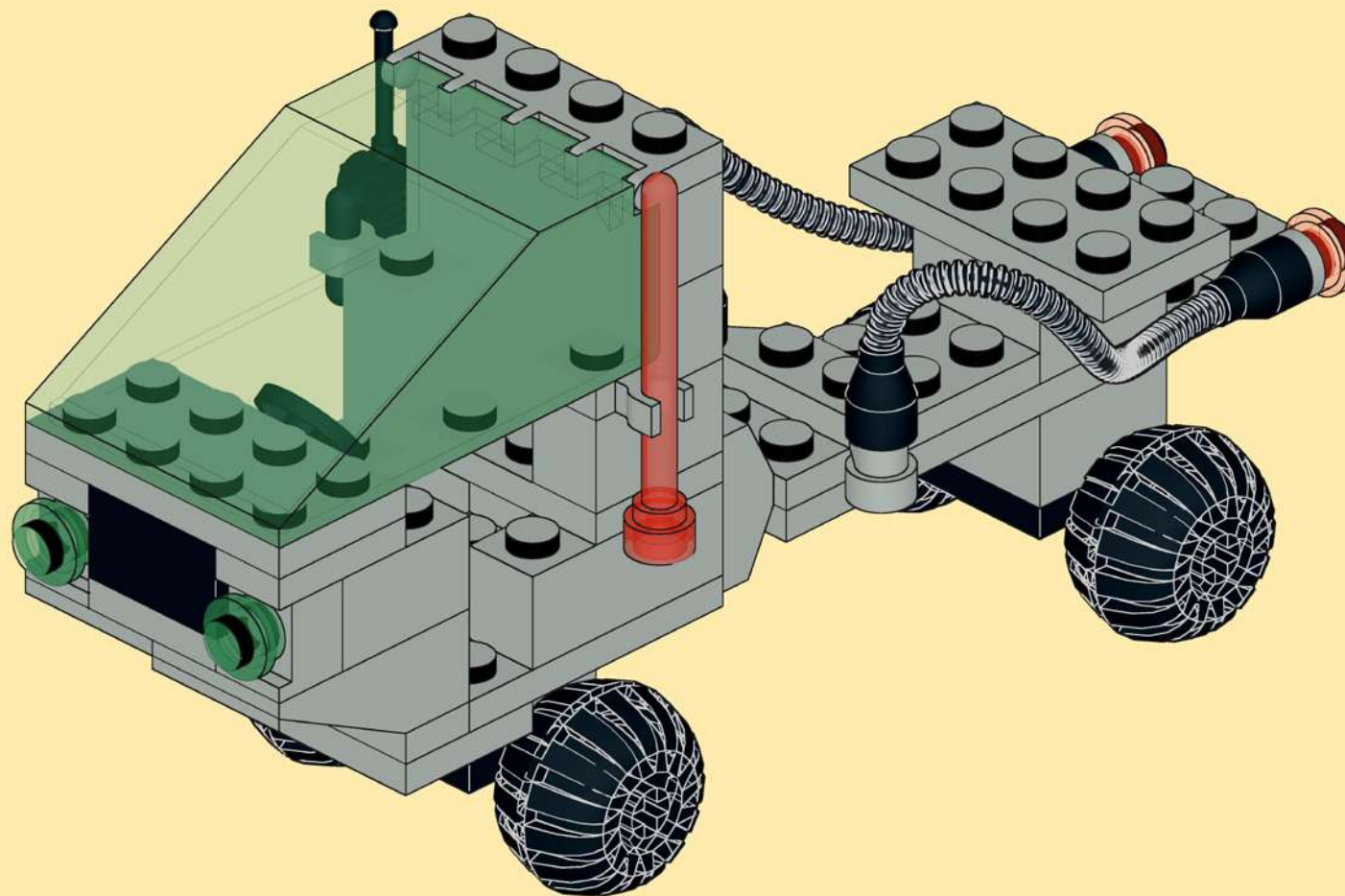
The building steps show how to build an exact replica of the original model.

If you noticed the wheels are one plate different in height, making the vehicle 'lean' forward, you are right. This is intentional.

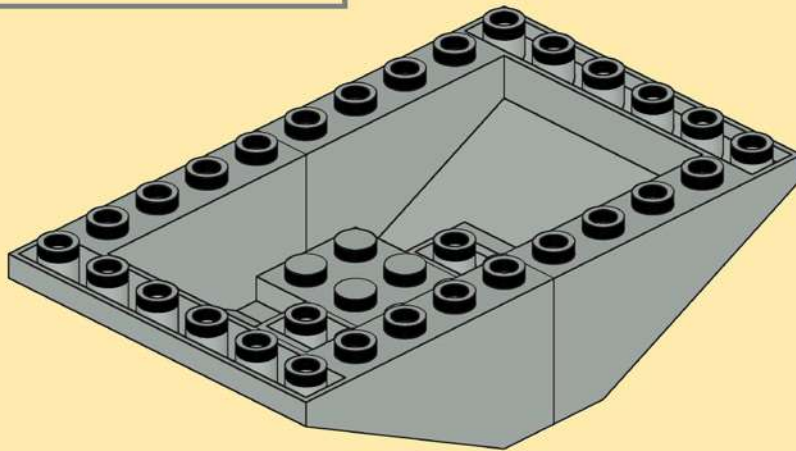
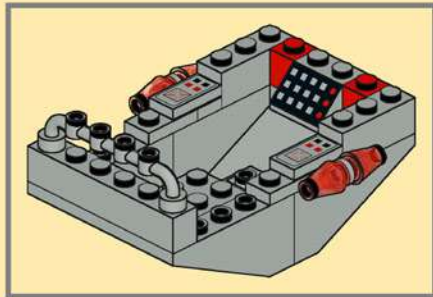
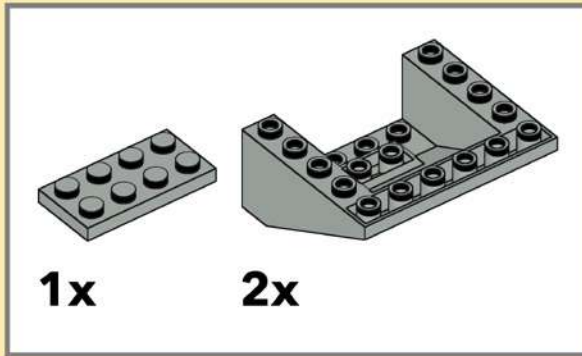
57



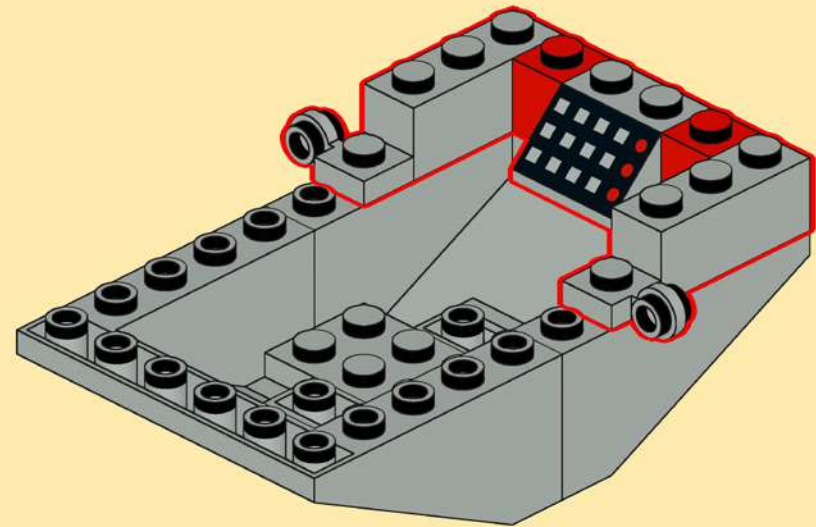
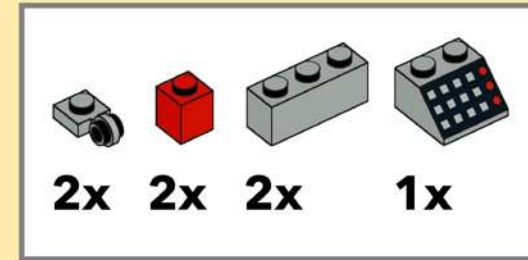
58



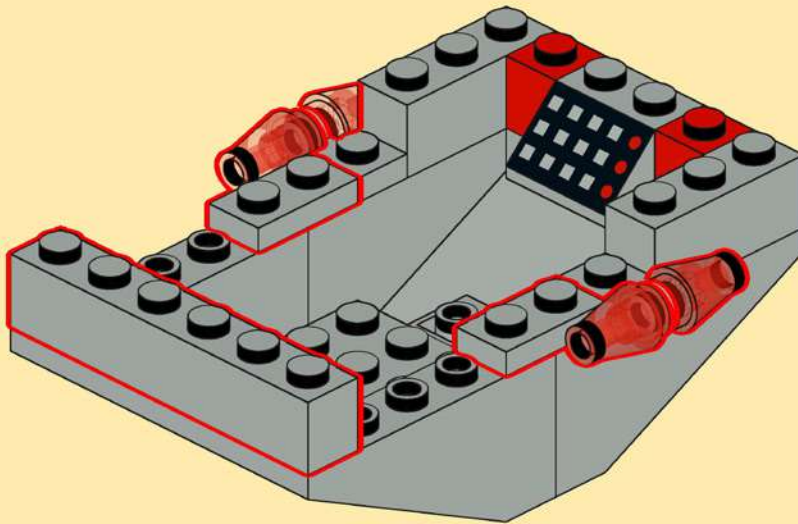
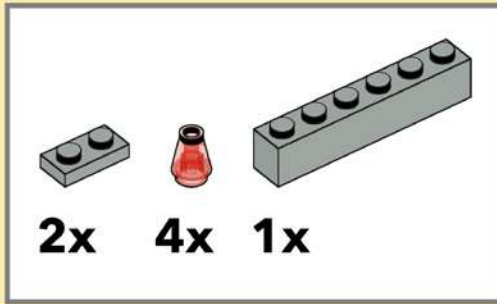
59



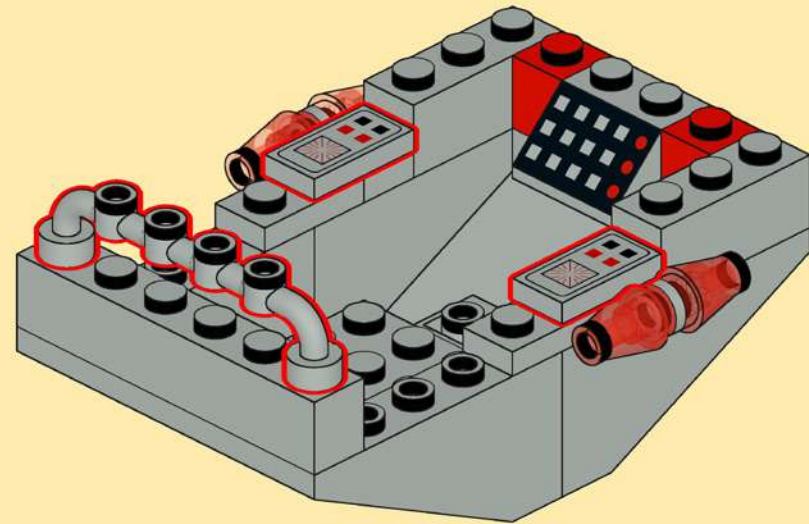
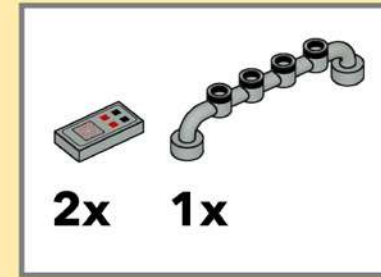
60



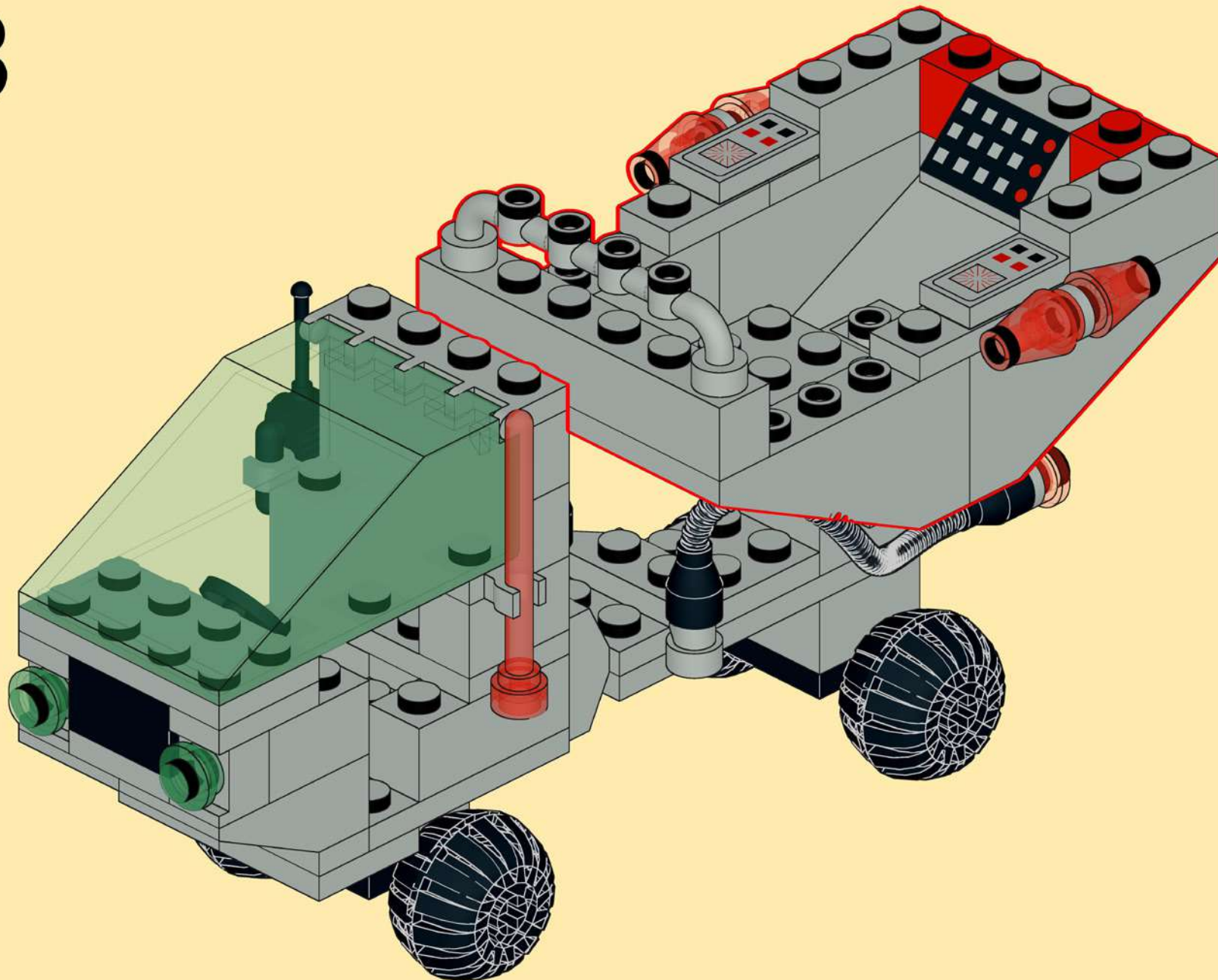
61



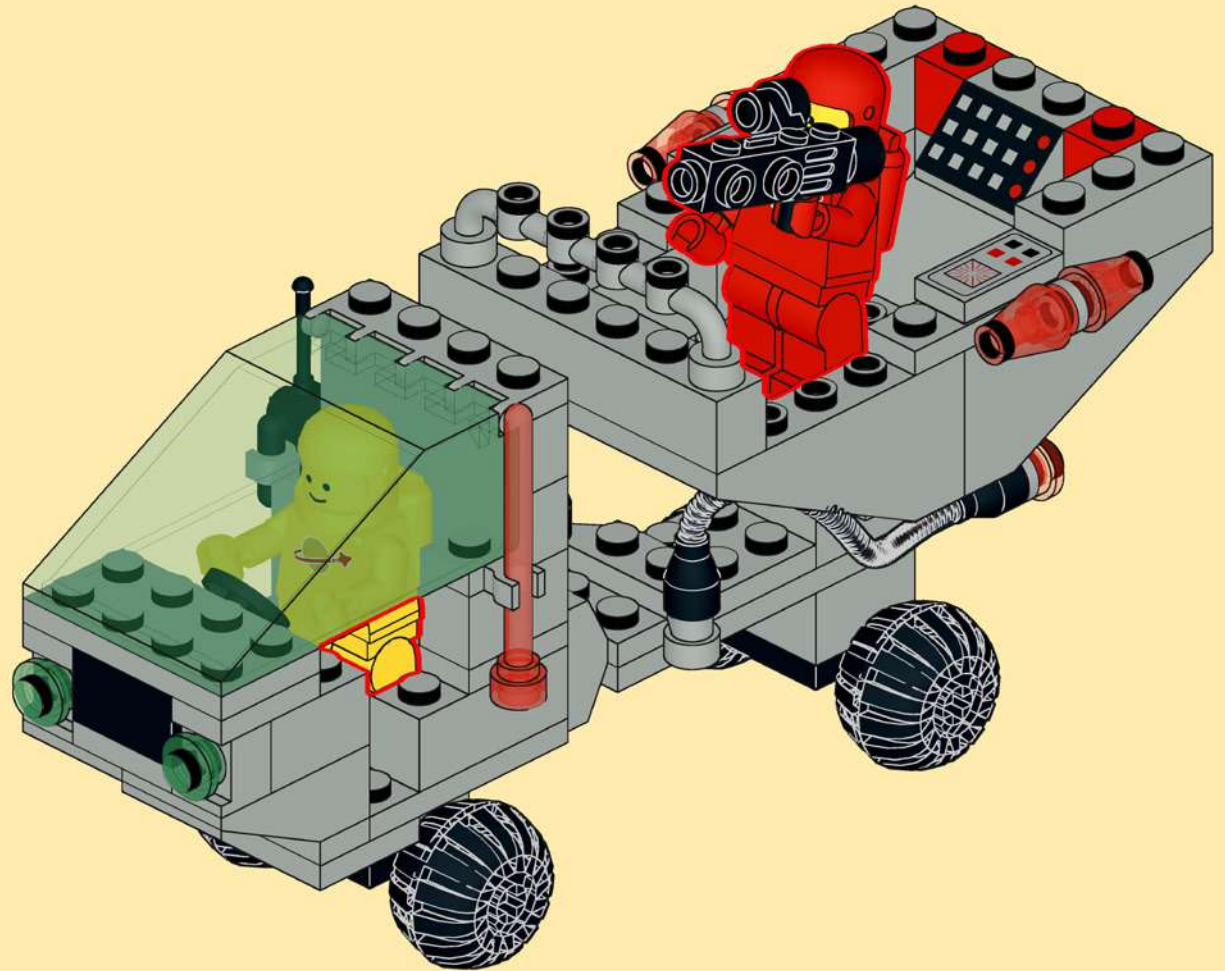
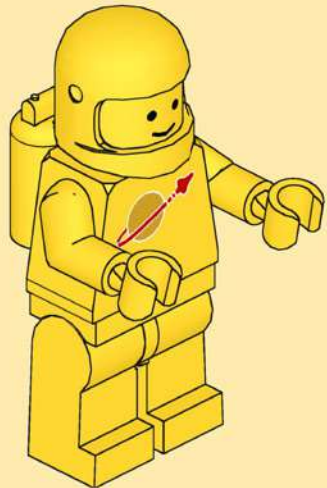
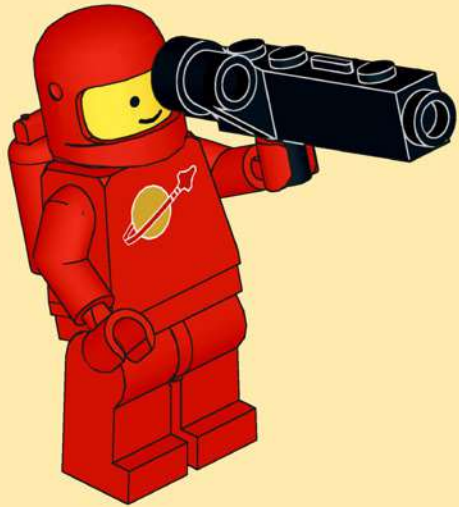
62



63



64



All done!

The rover headlights fit snug around the steps placed at the rear of the cockpit. The two tiles on the inside floor don't seem to be of any use, and the rover isn't able to ride on-or-off the ramp door (Which also doesn't fully close). I know.

But regarding pivotal moments in the history of LEGO Space, this build is awesome!

