

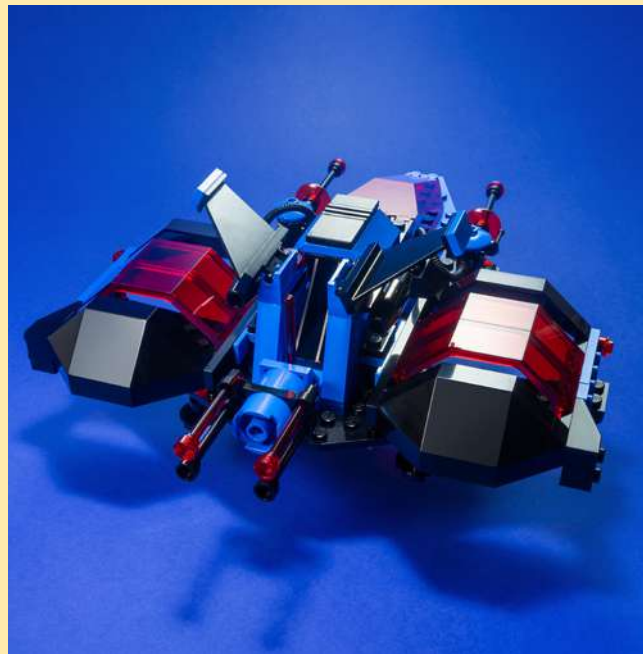


6986
MISSION COMMANDER
ALTERNATE MODEL (1989)

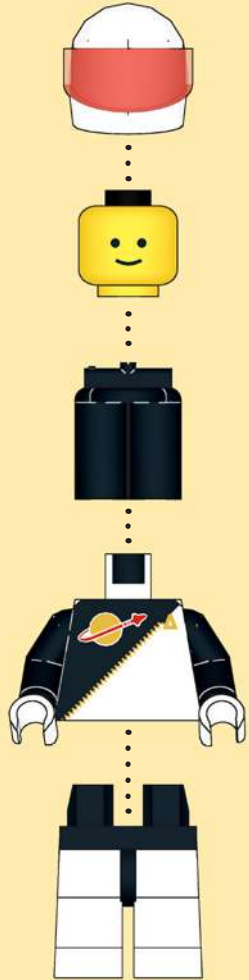
INSTRUCTIONS

CONCEPT BY BJARNE TVESKOV & LEGO
PHOTOGRAPHY & INSTRUCTIONS
BY COSMIC.BRICK

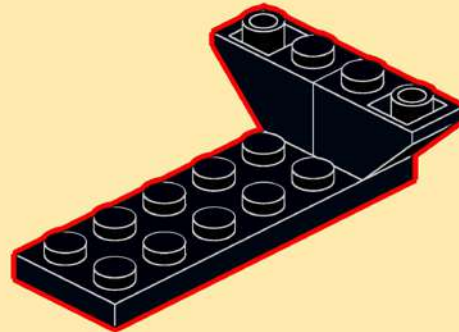
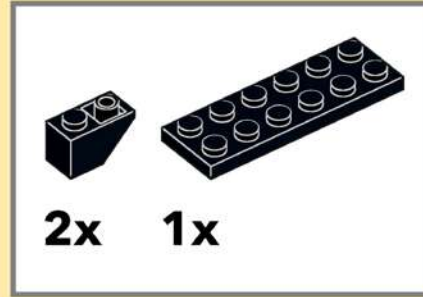




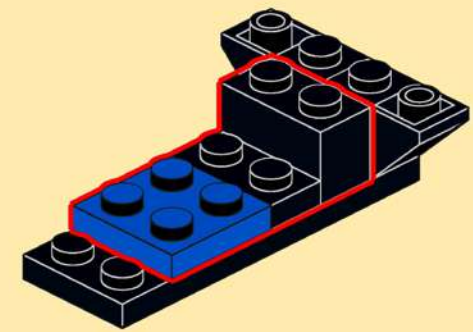
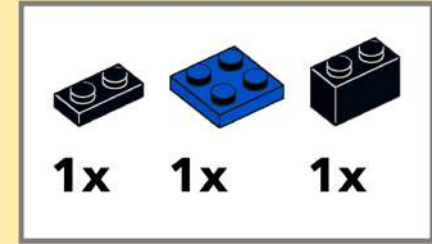
1



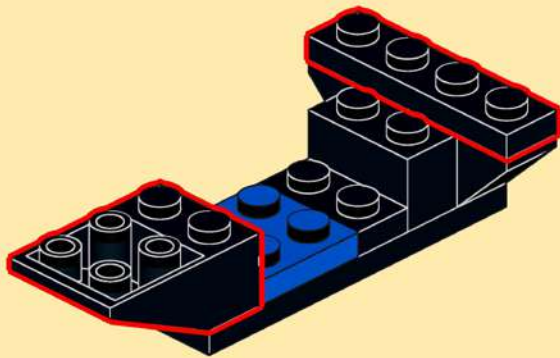
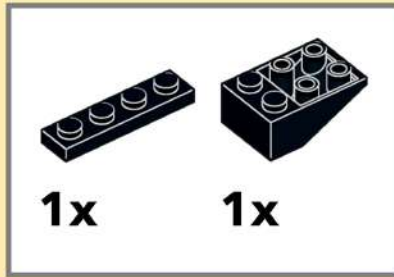
2



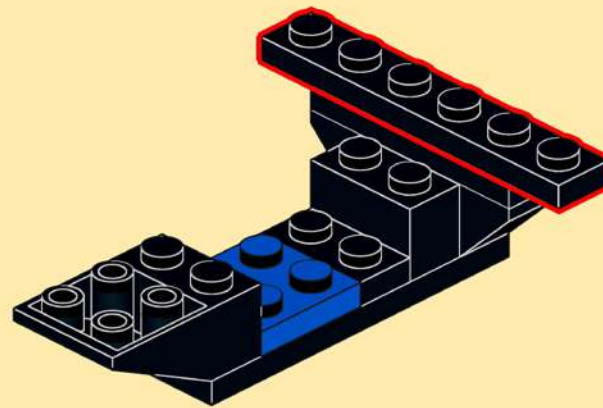
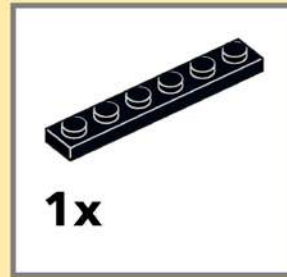
3



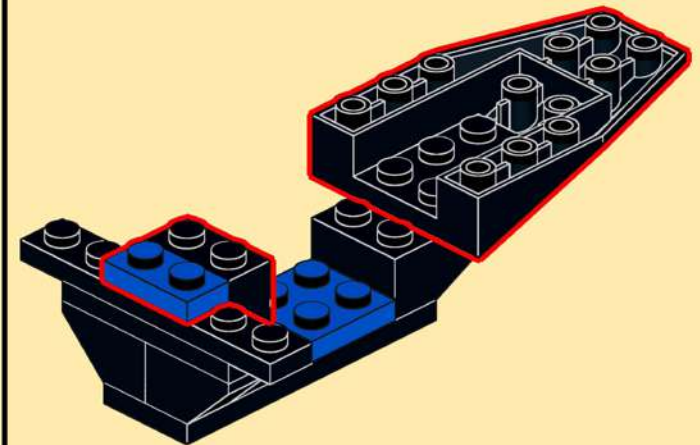
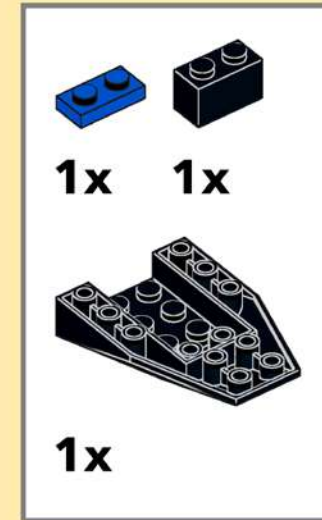
4



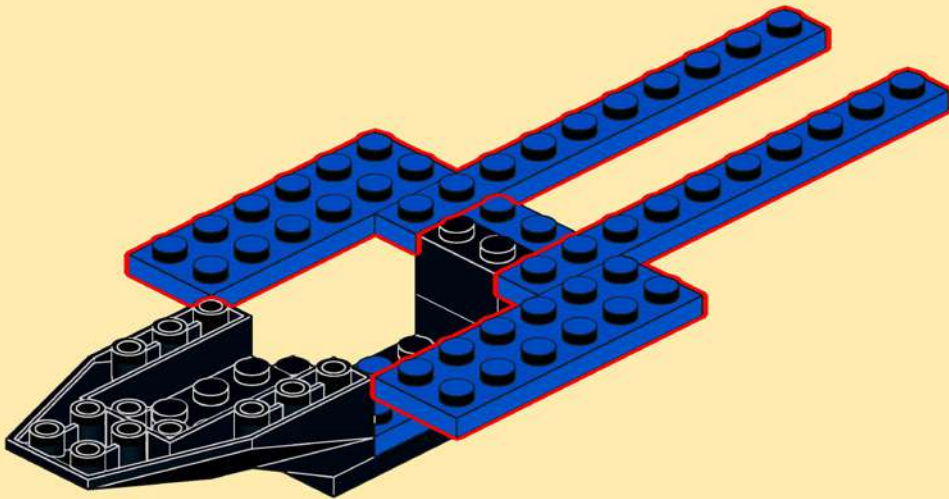
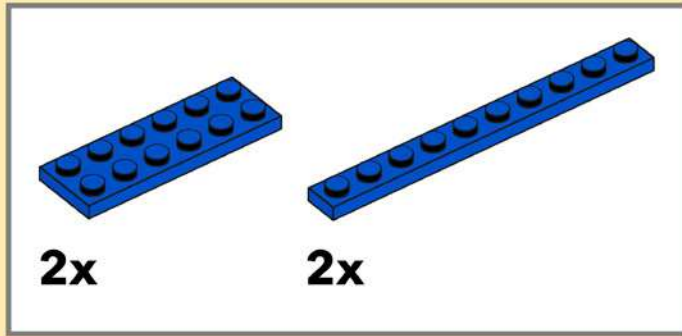
5



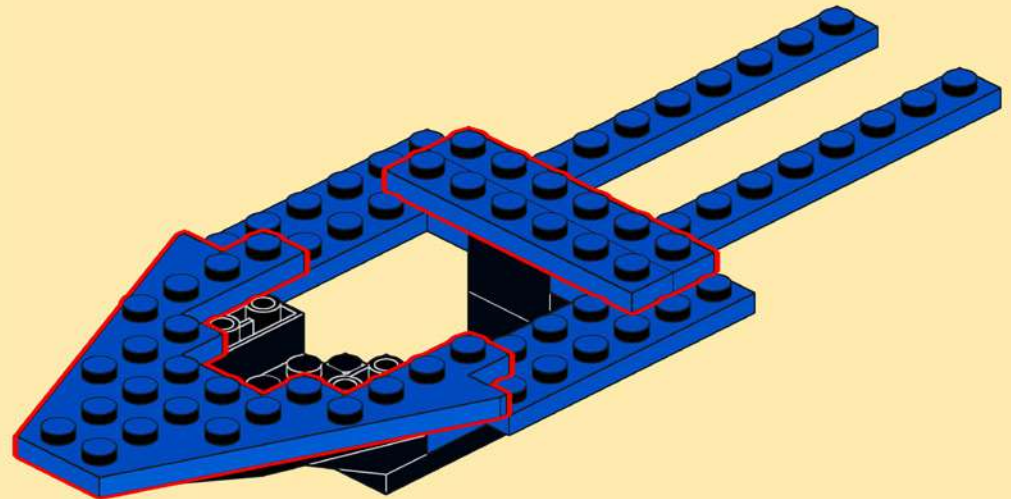
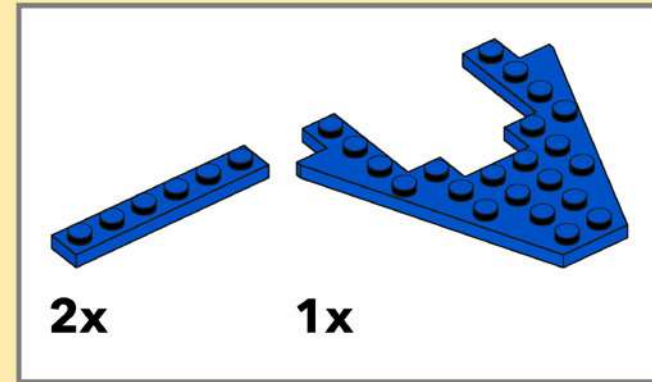
6



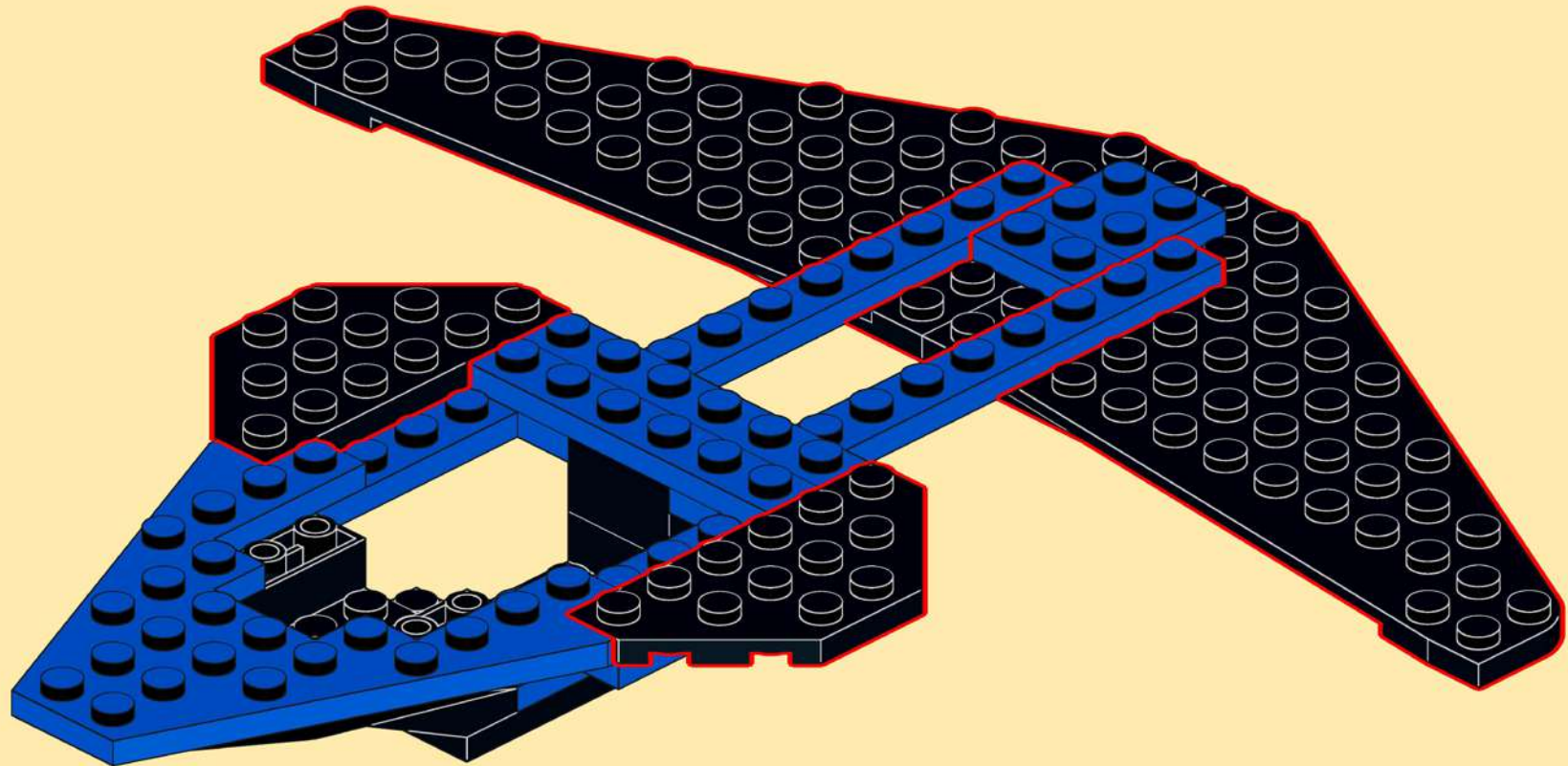
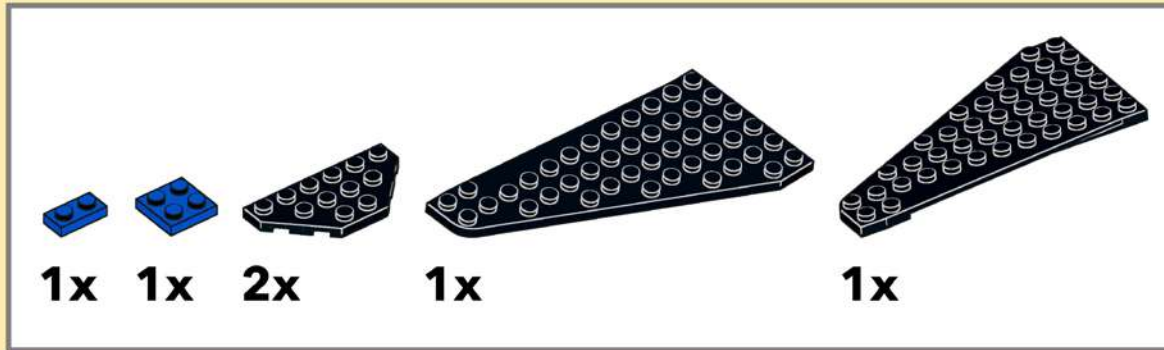
7



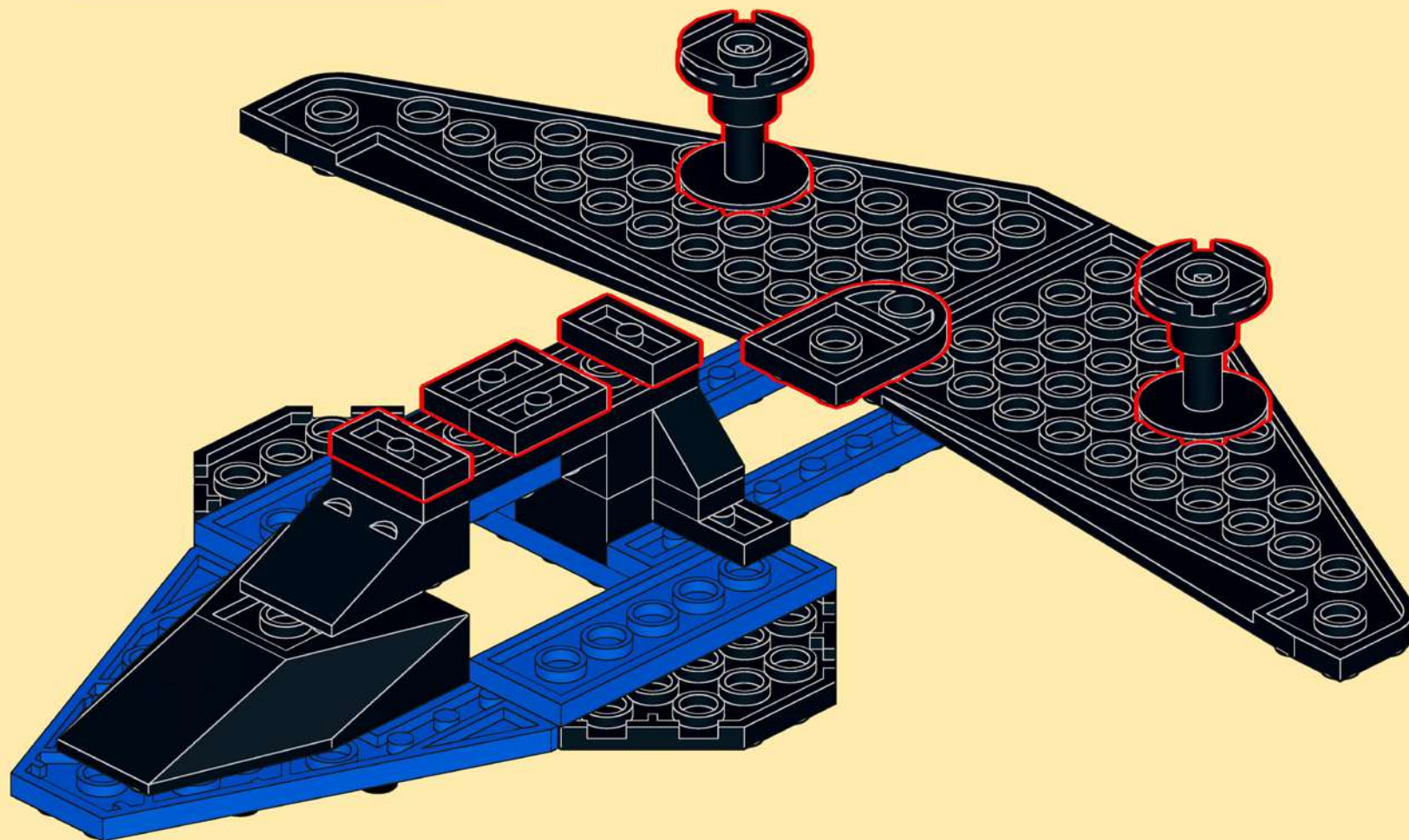
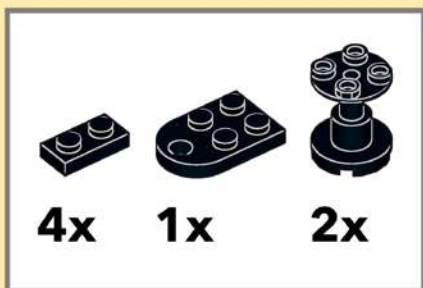
8



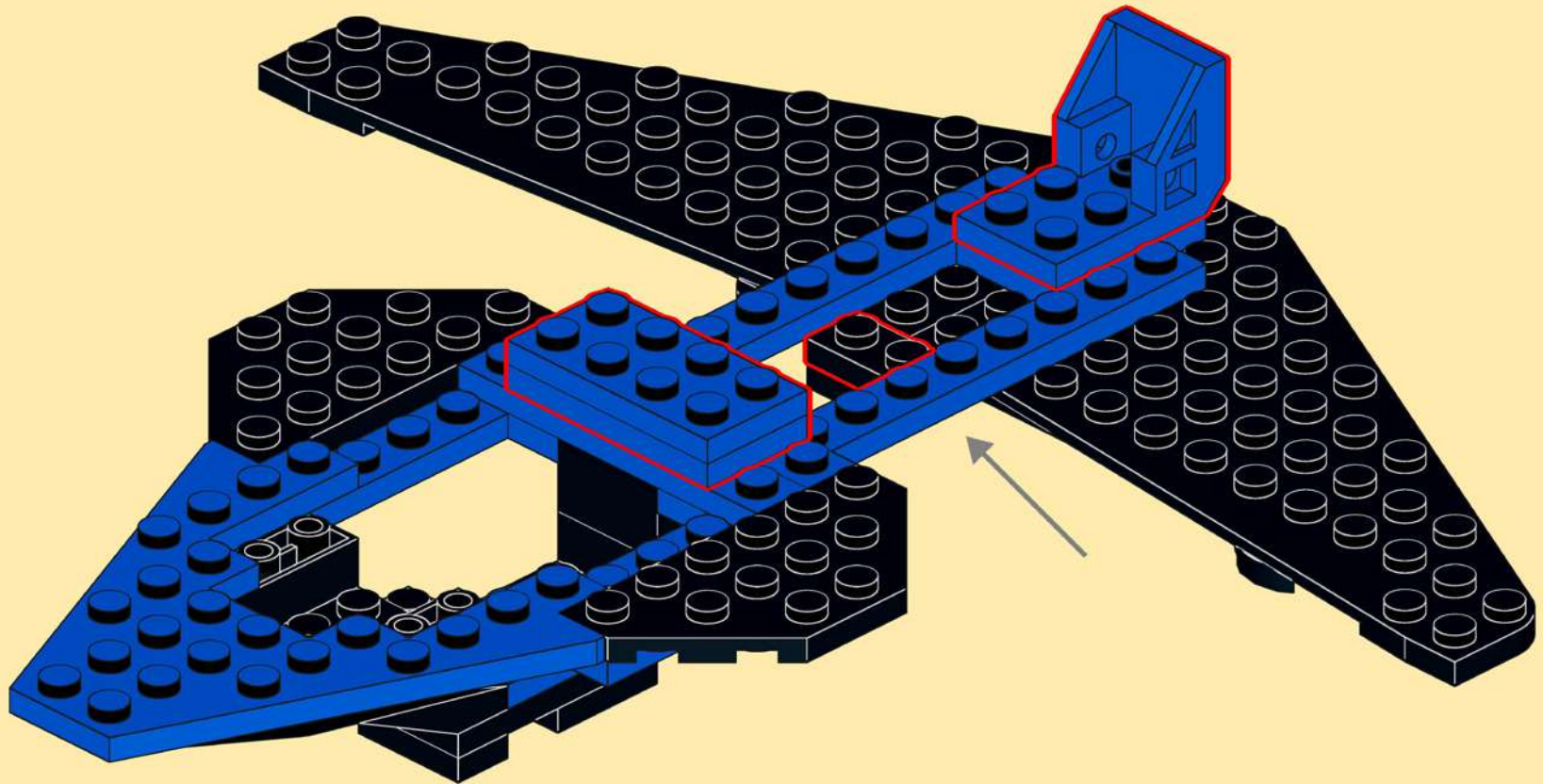
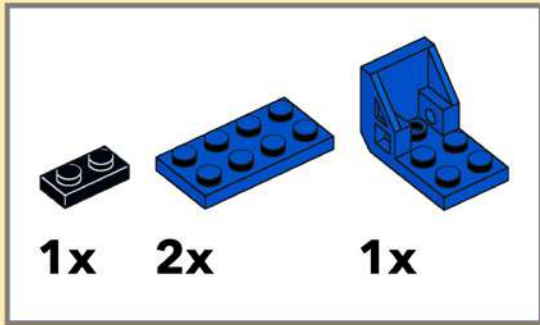
9



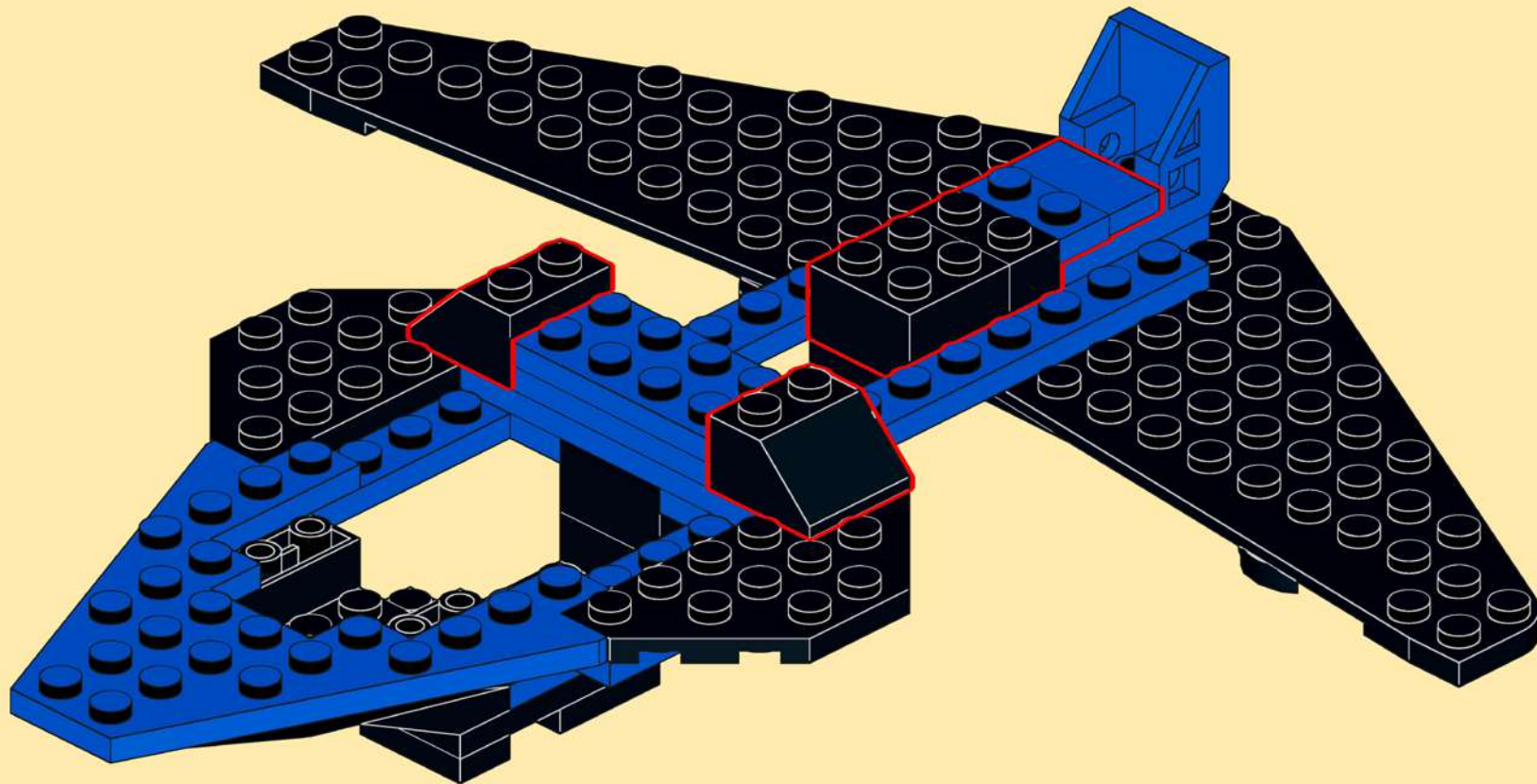
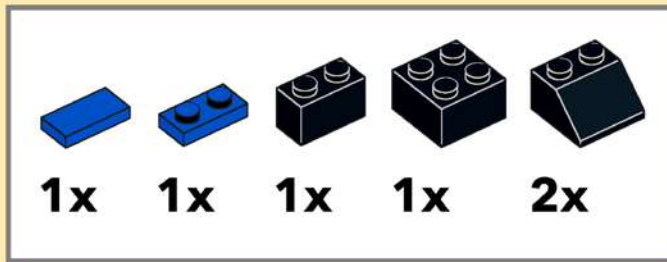
10



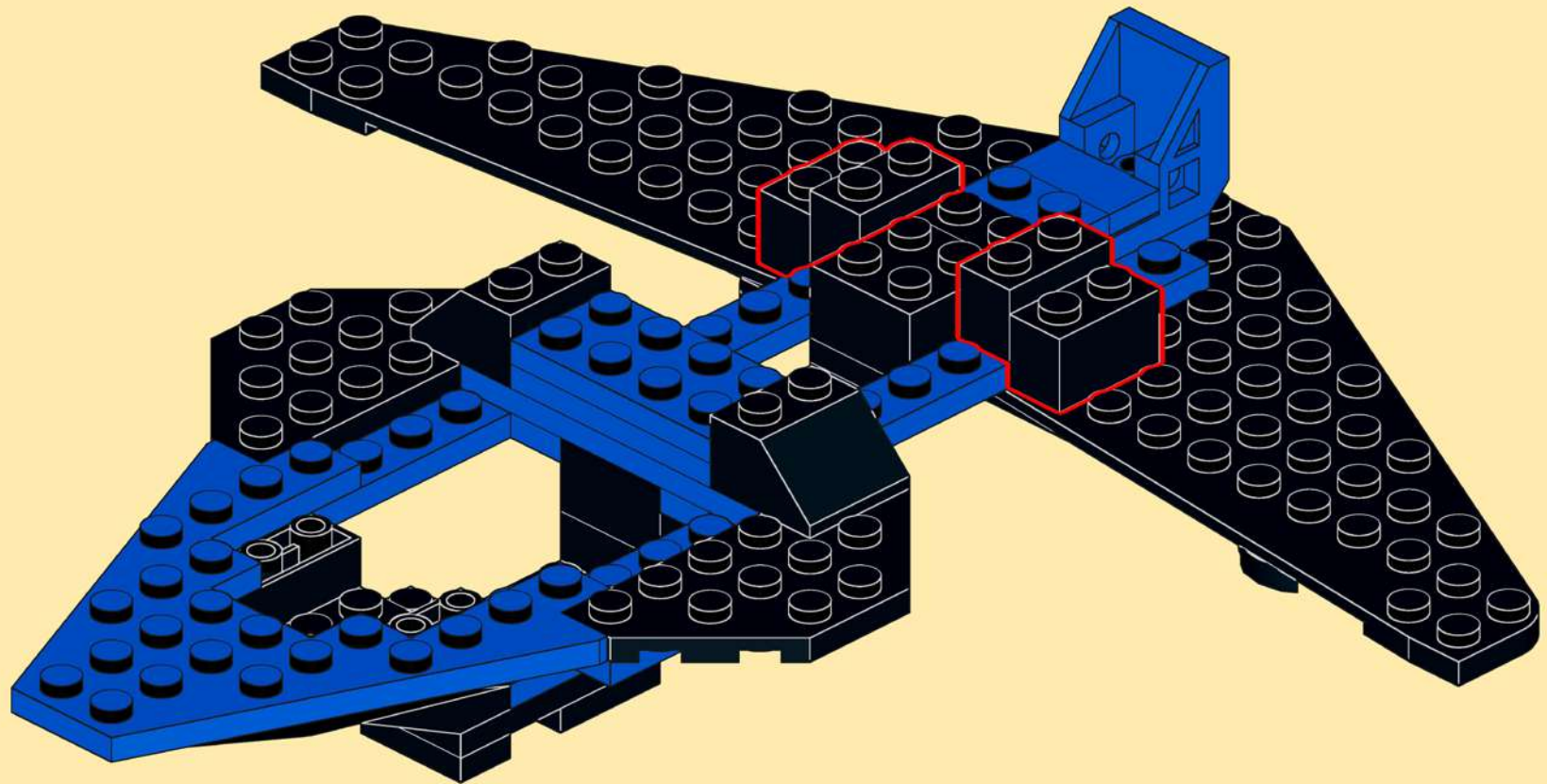
11



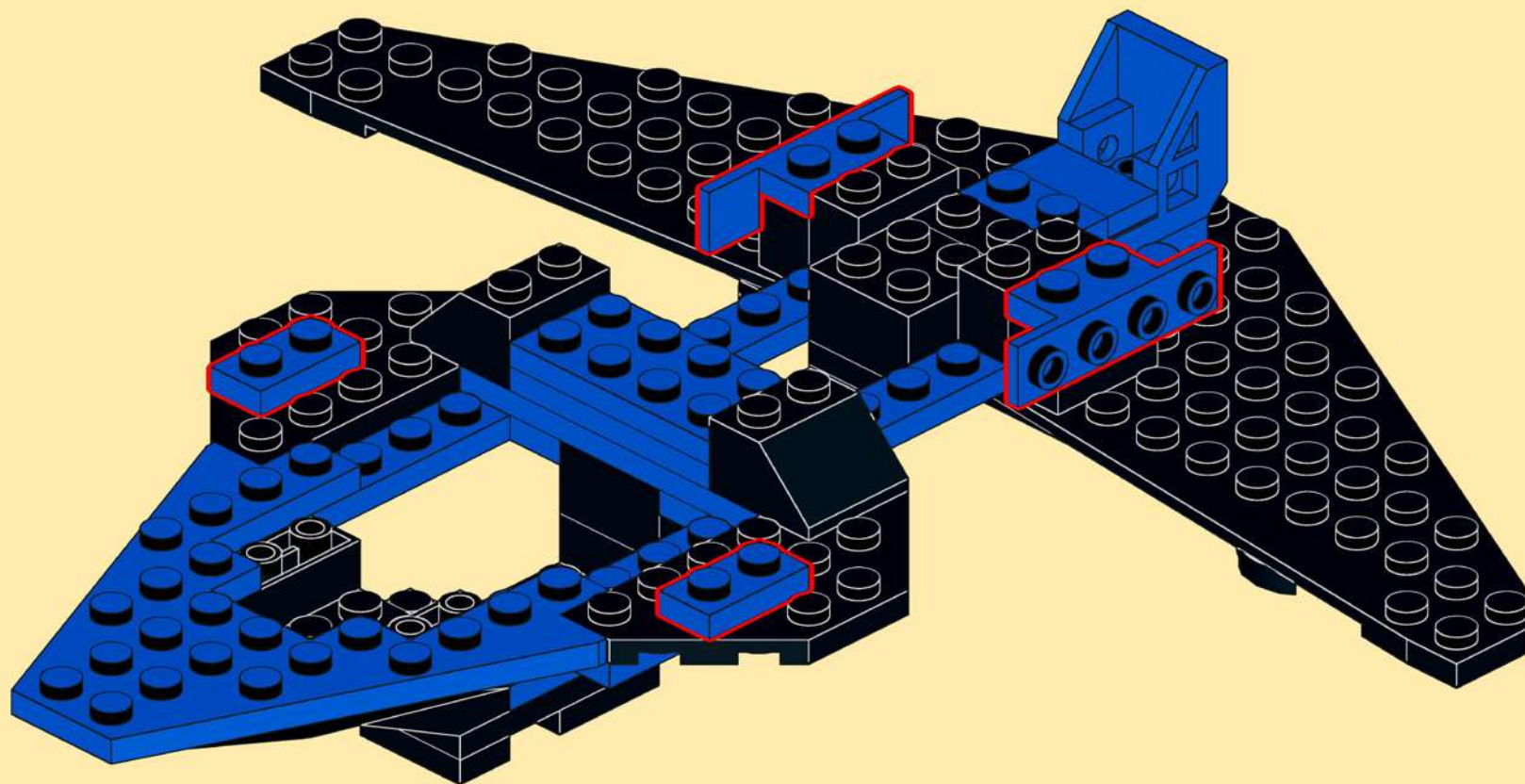
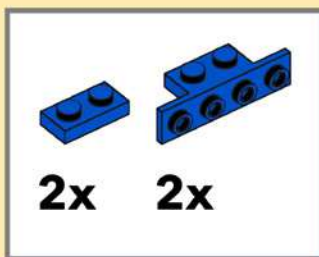
12



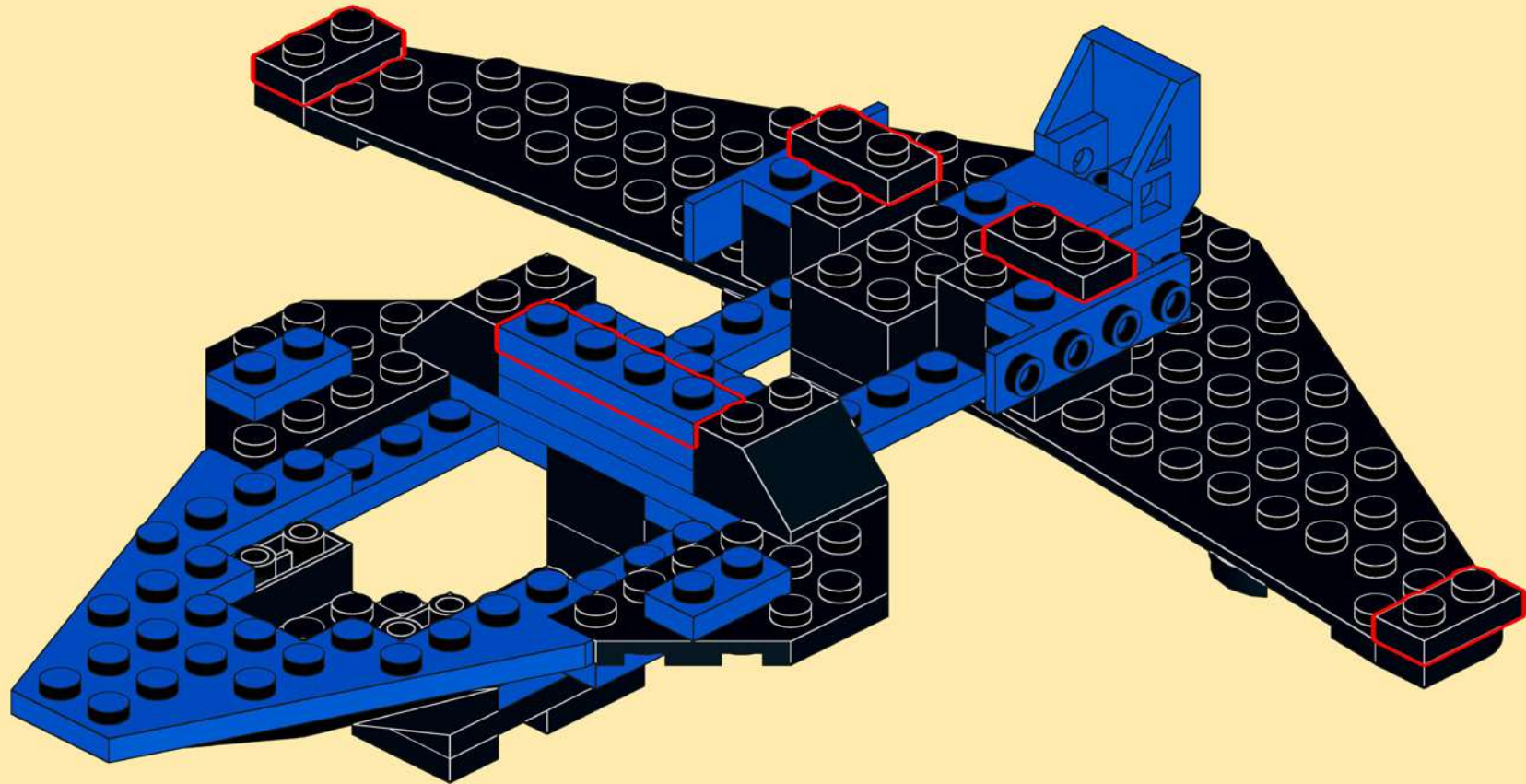
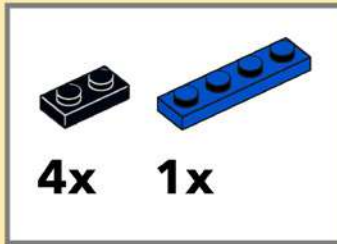
13



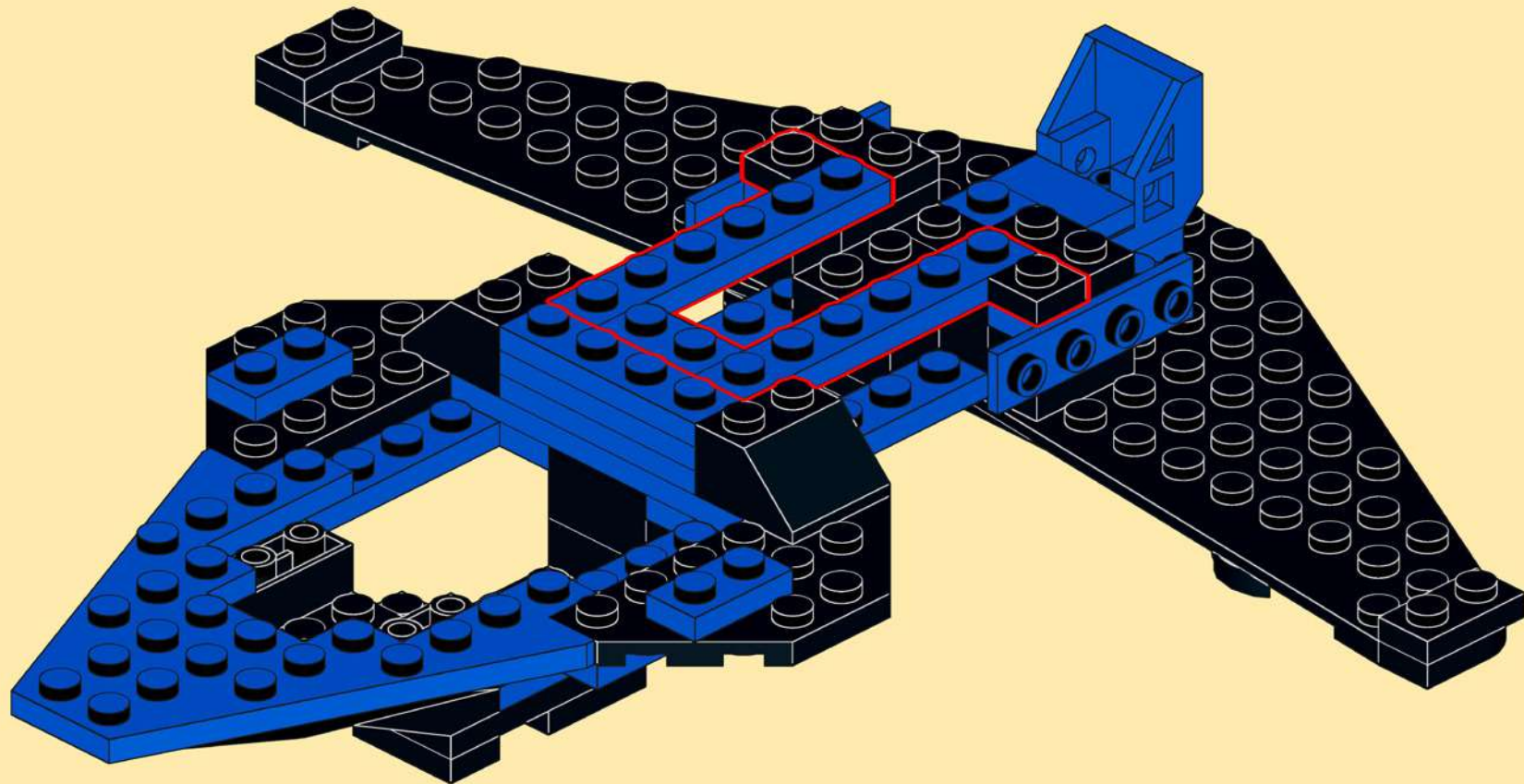
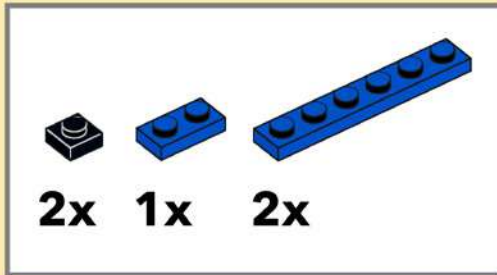
14



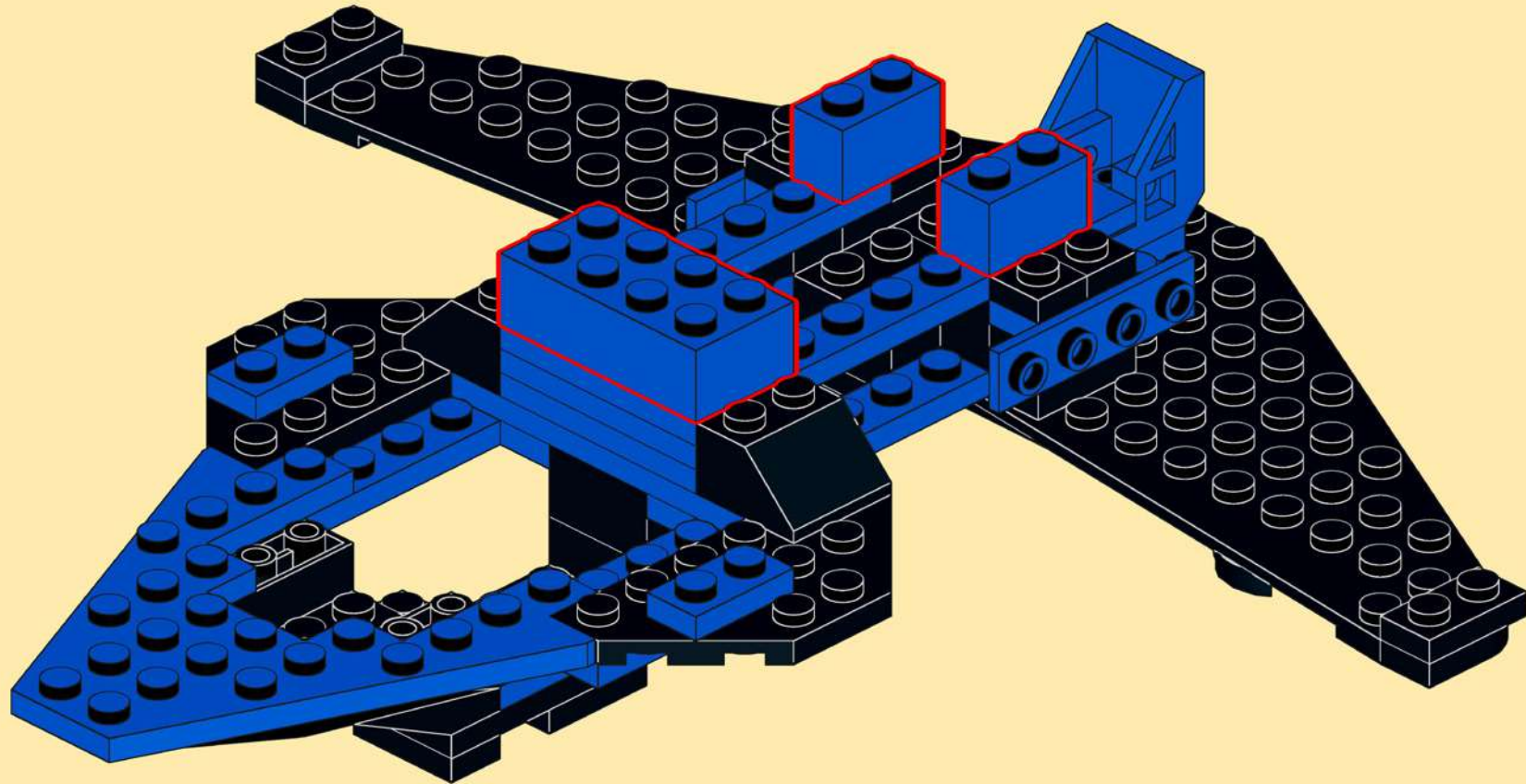
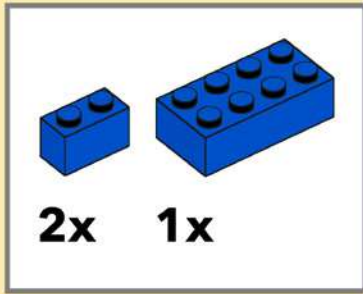
15



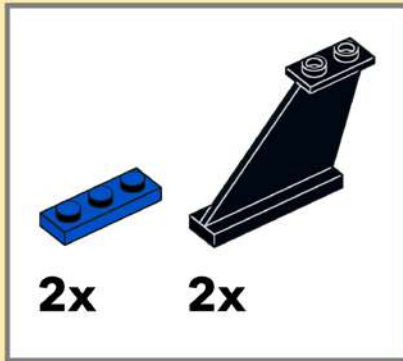
16



17

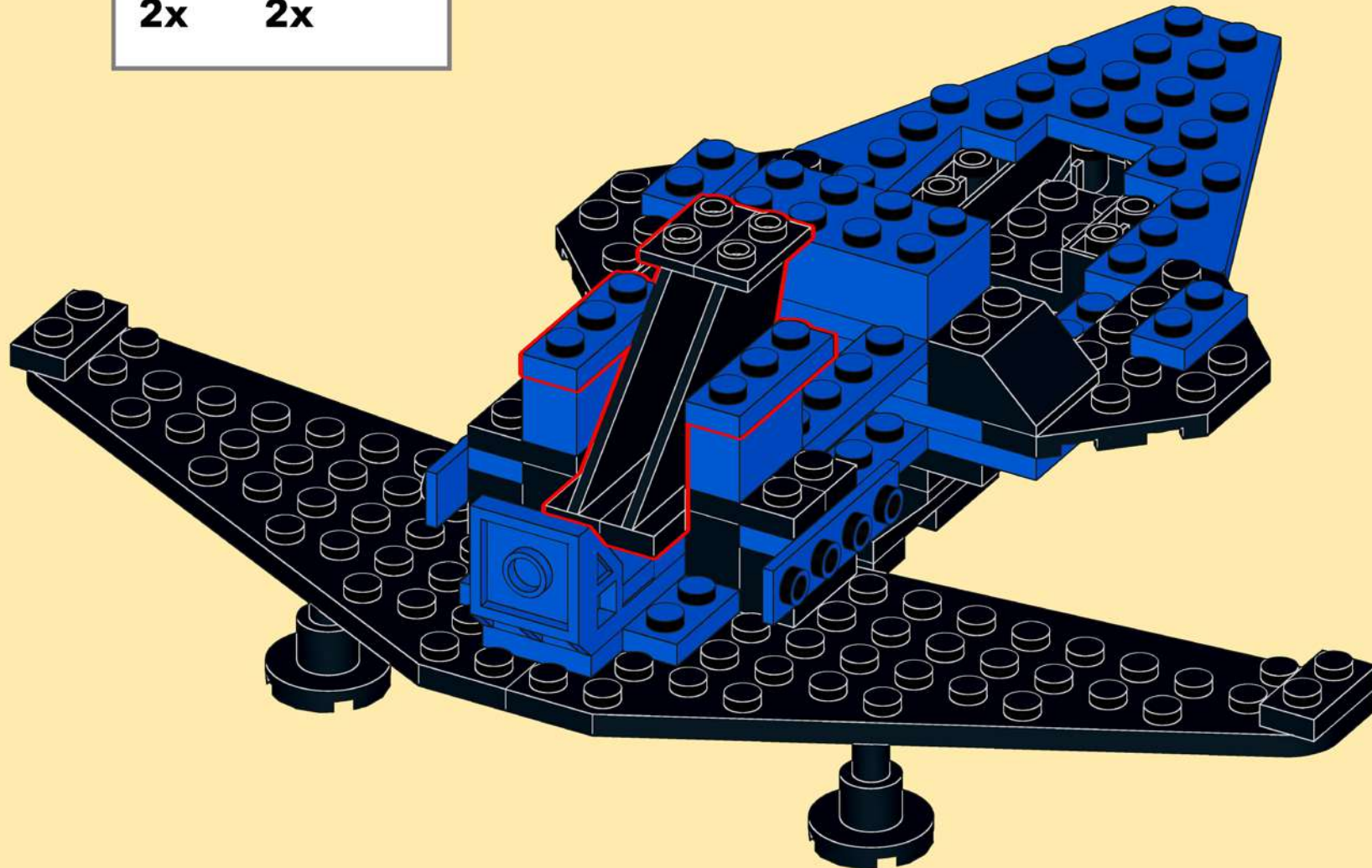


18

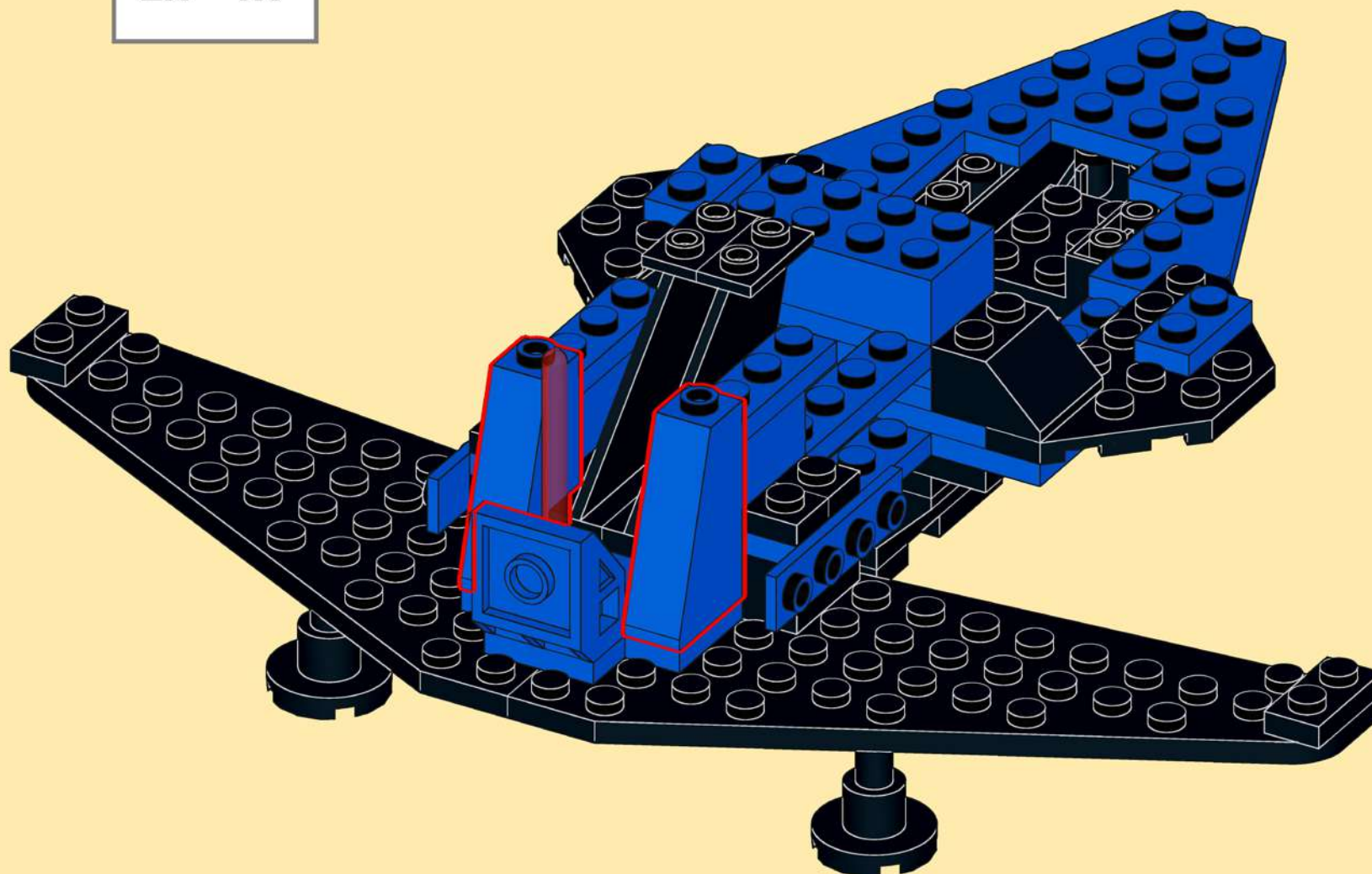
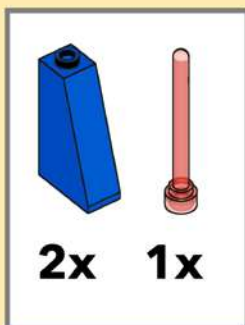


Accuracy

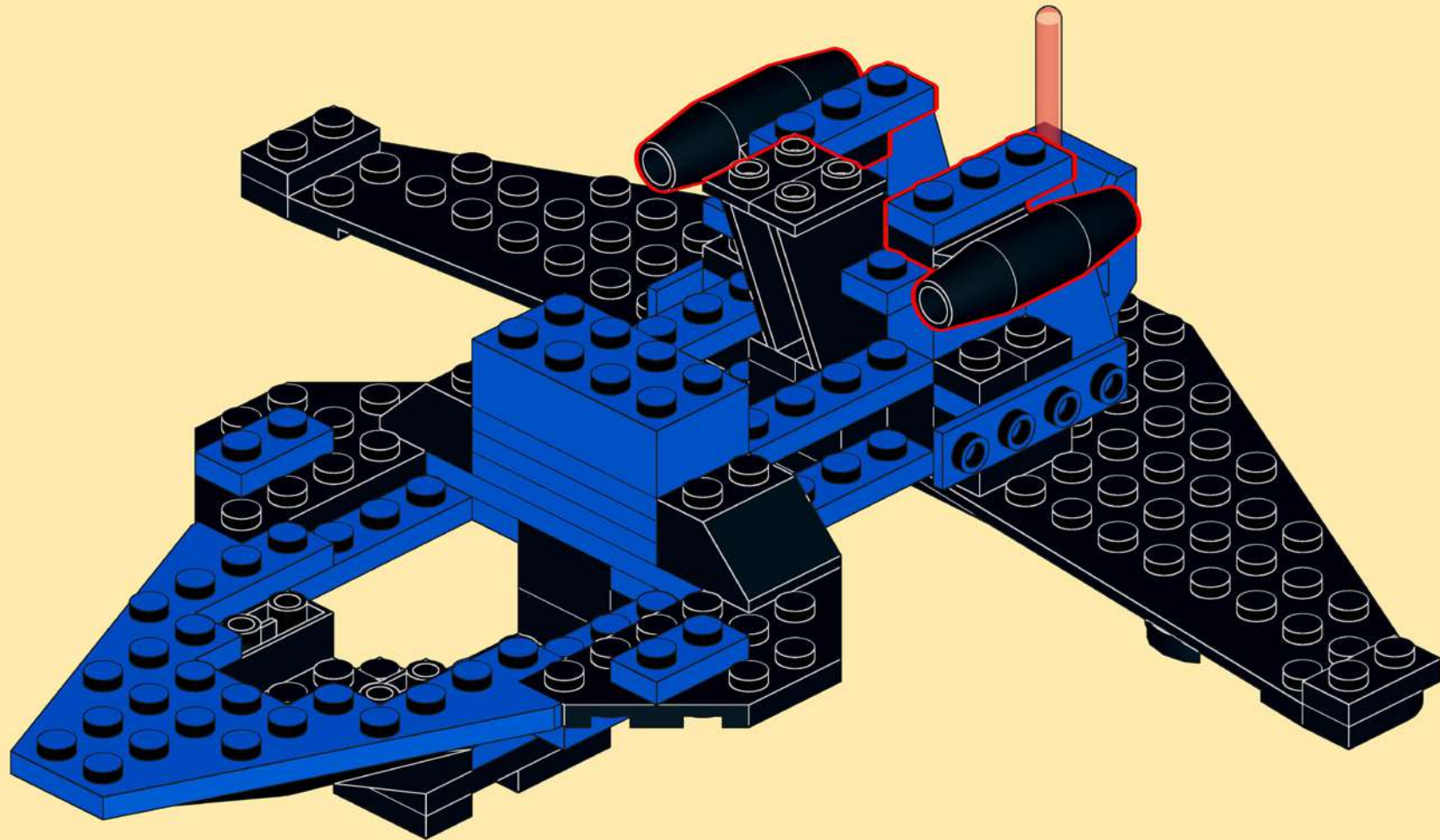
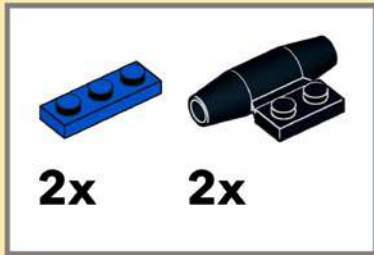
This build is aimed to be an exact replica of the back wall depiction. The black tail pieces in this step were added for aesthetic reasons, as they are not visible in the original image. Feel free to replace them.



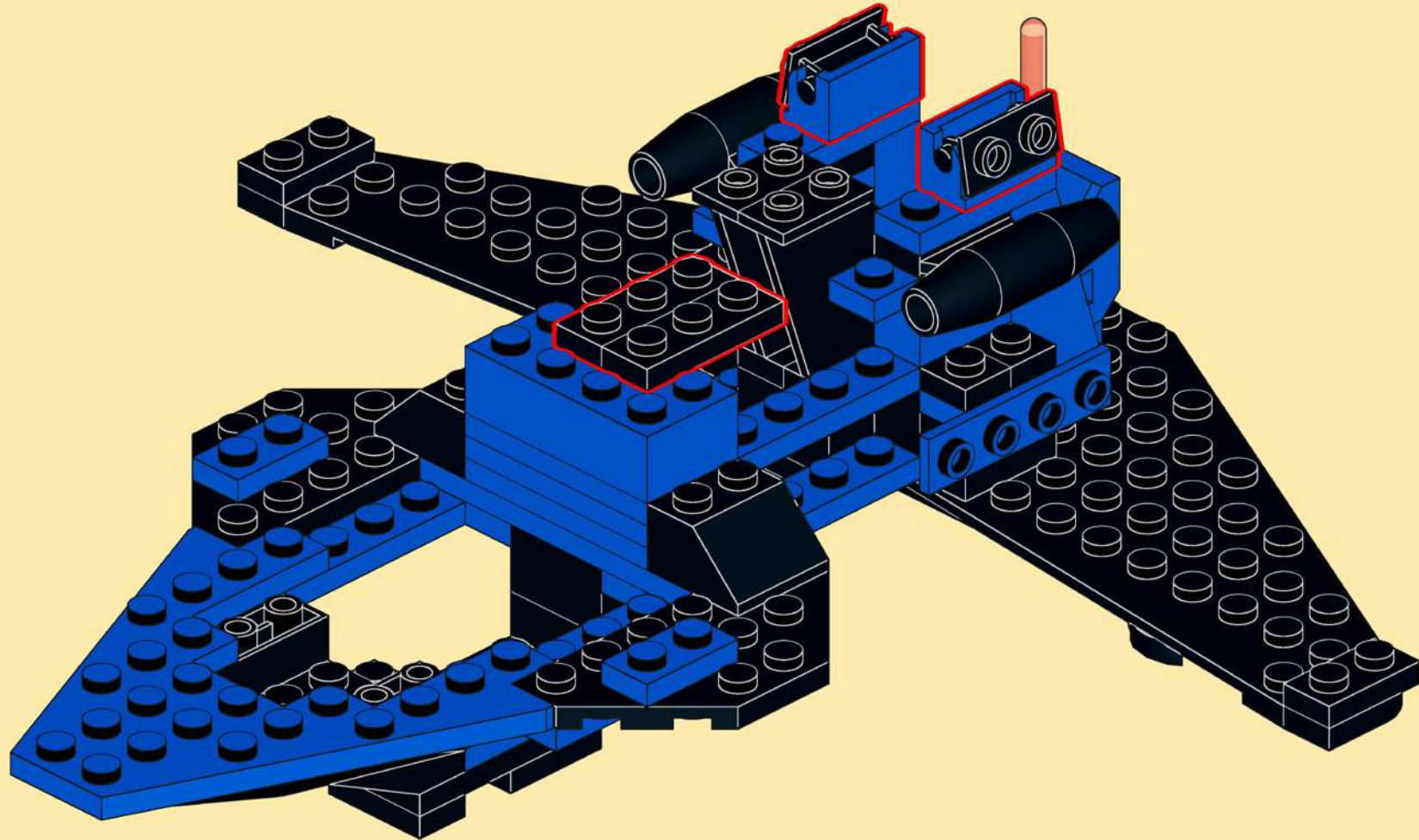
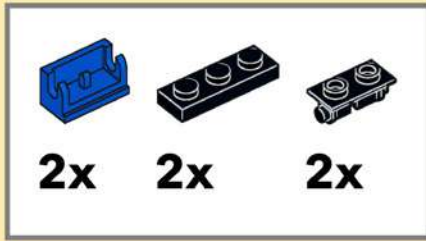
19



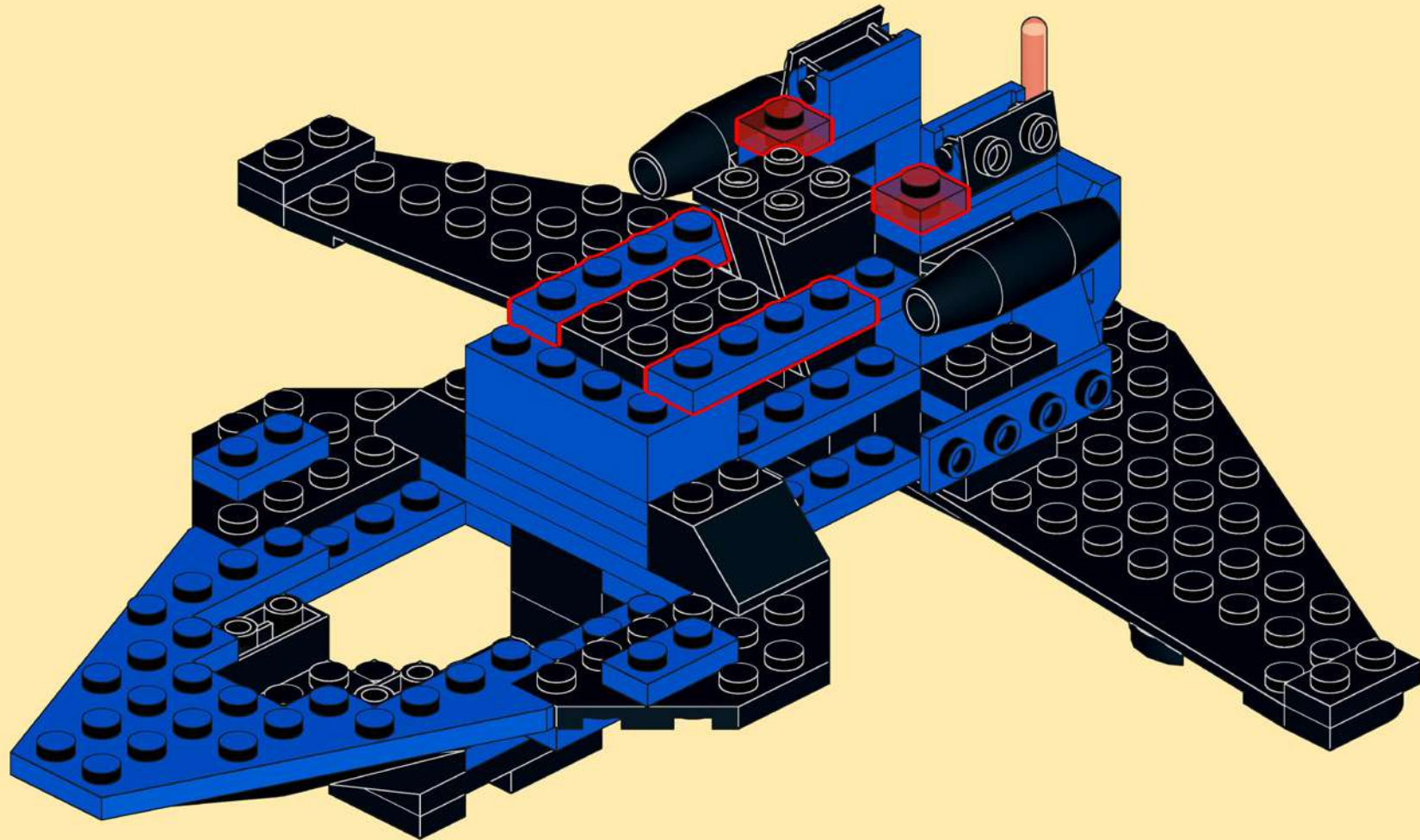
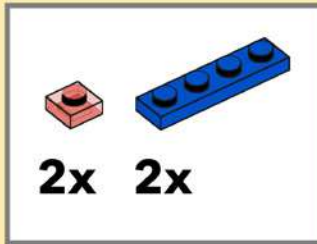
20



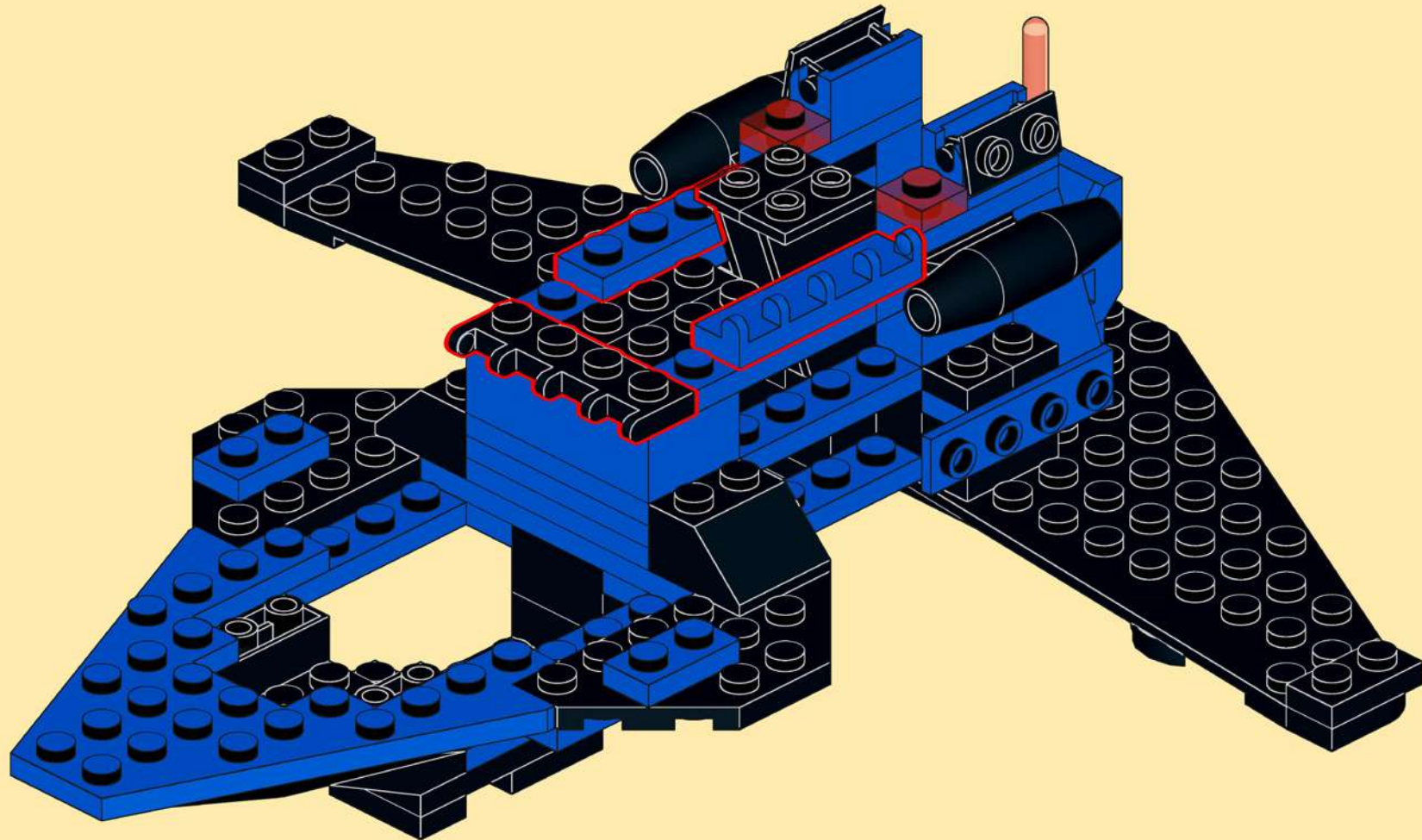
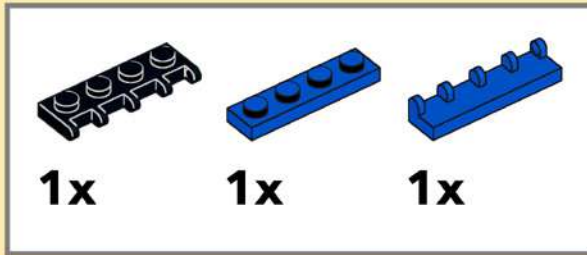
21



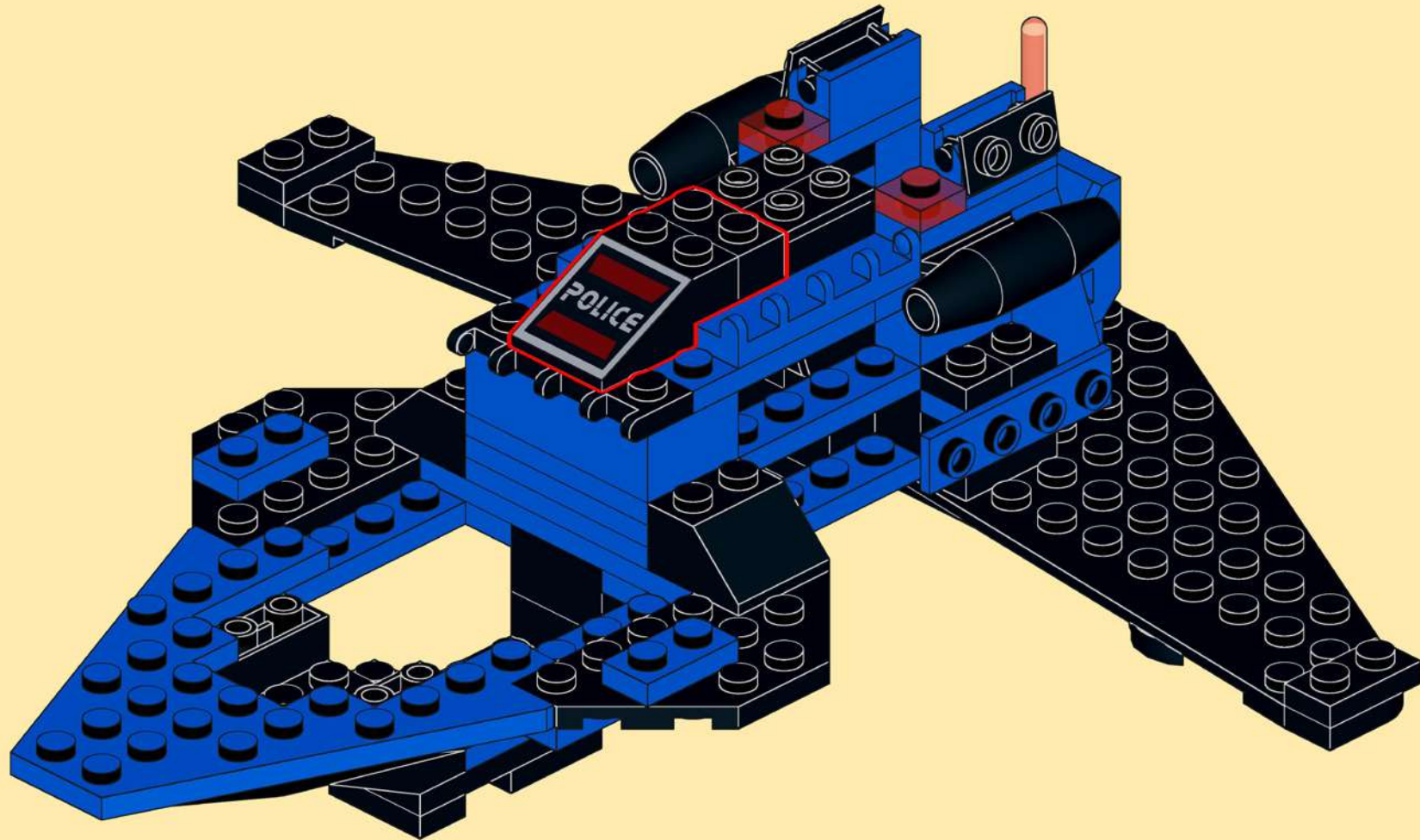
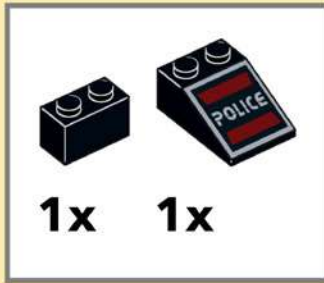
22



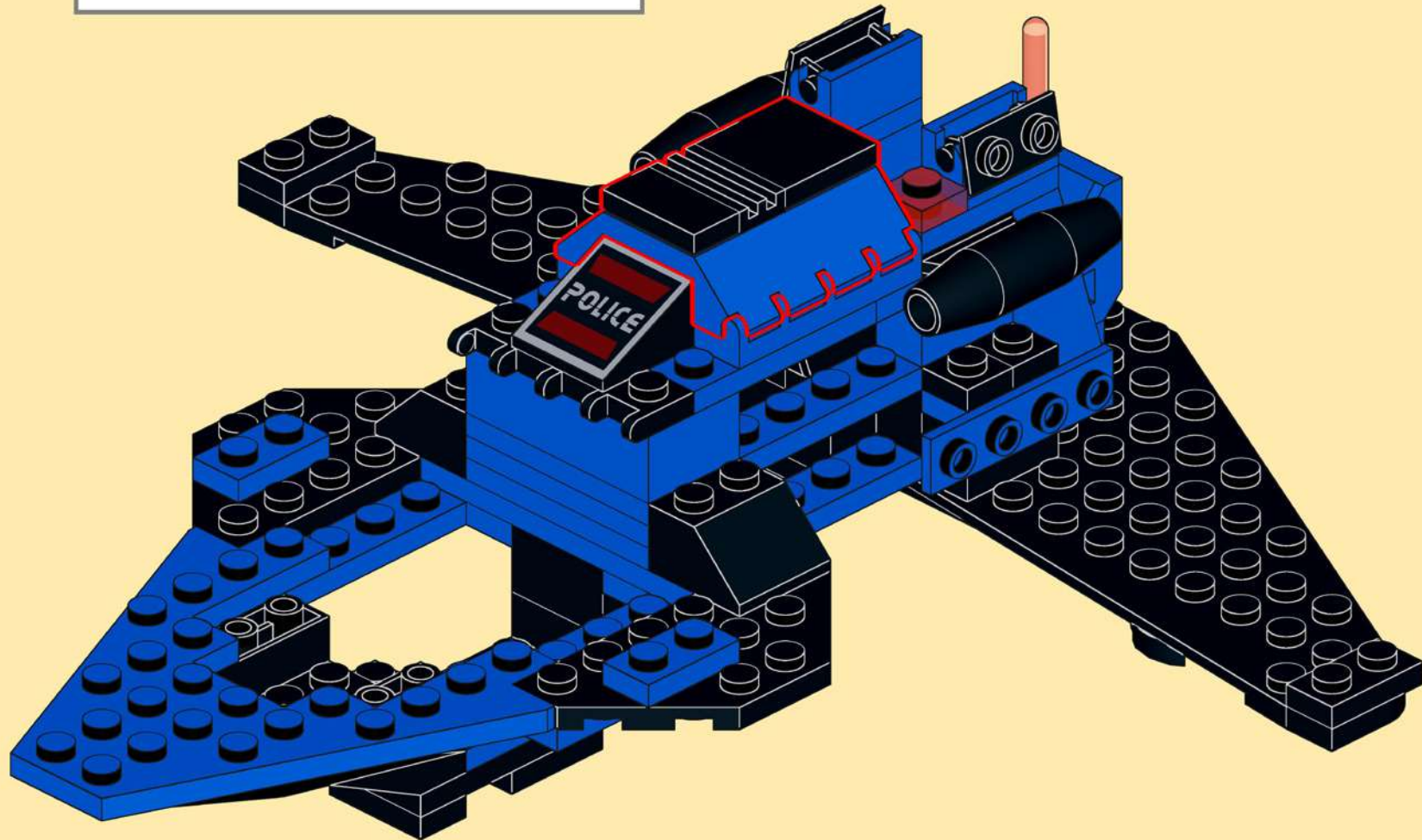
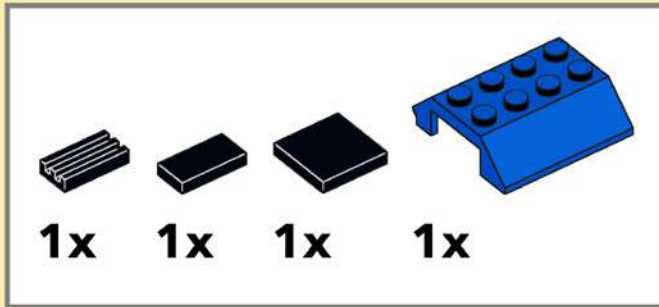
23



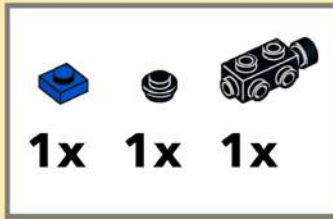
24



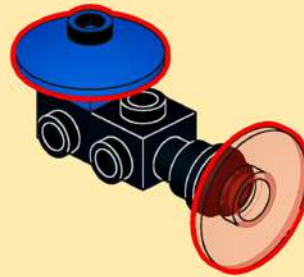
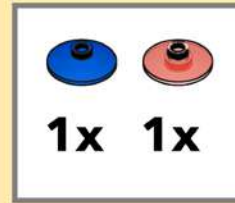
25



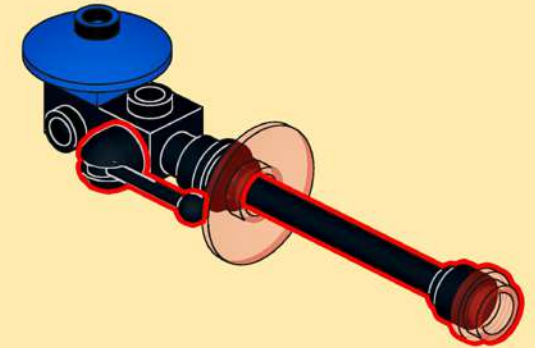
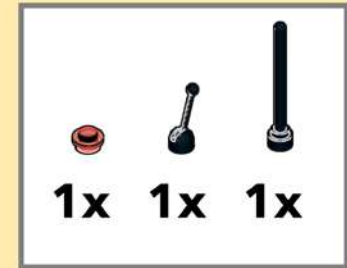
26



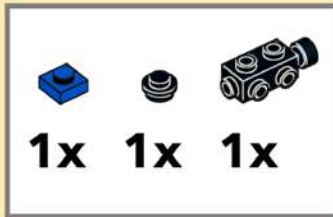
27



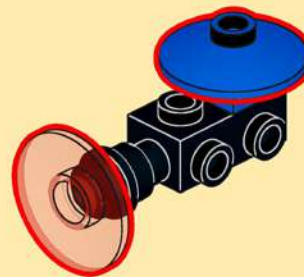
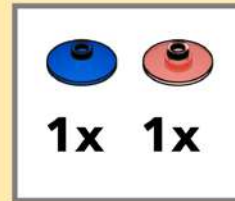
28



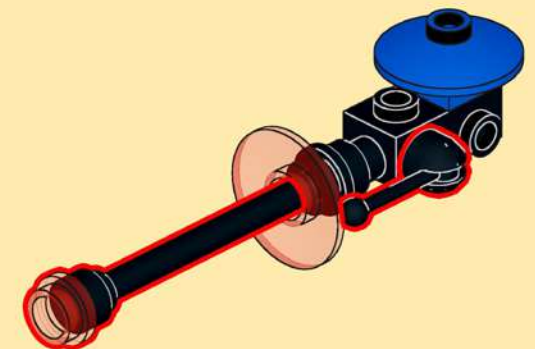
29



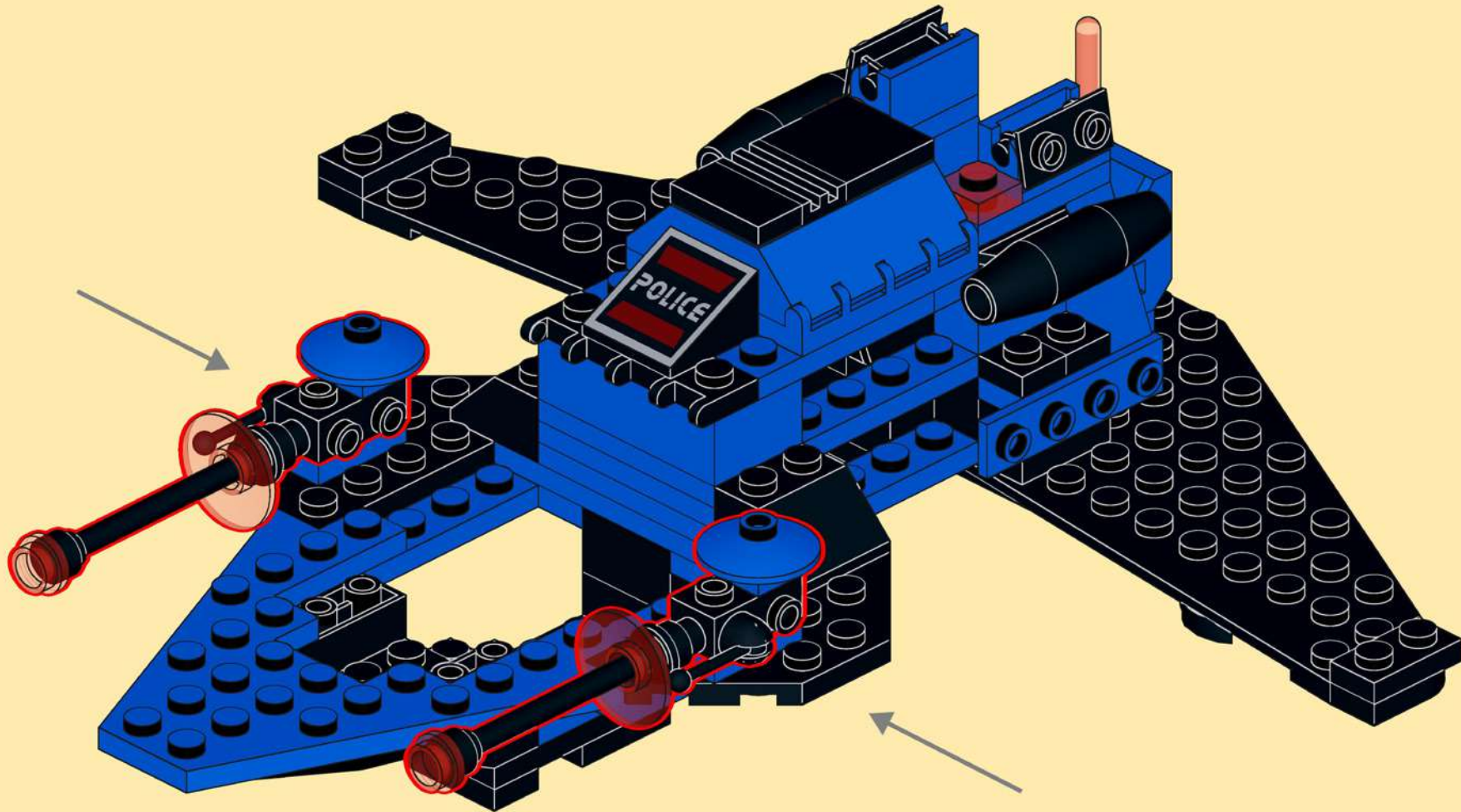
30



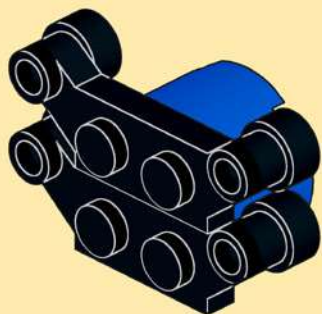
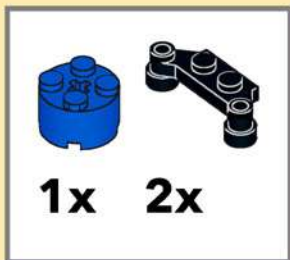
31



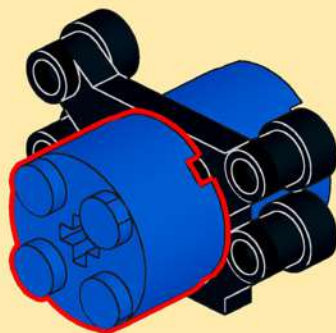
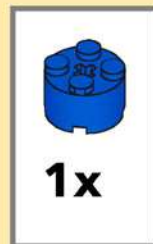
32



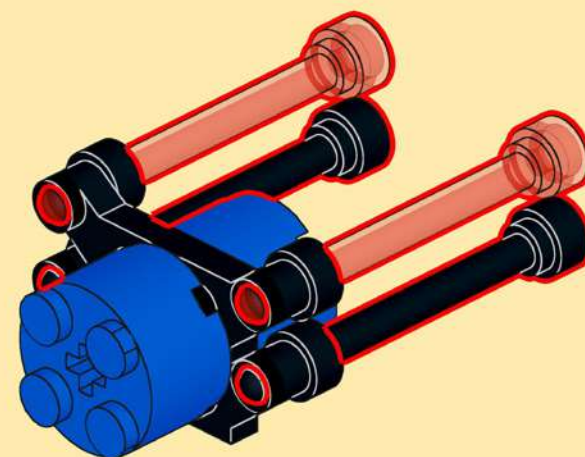
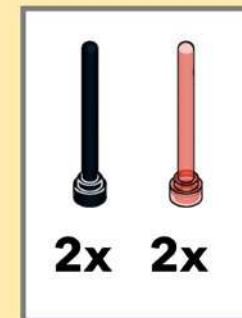
33



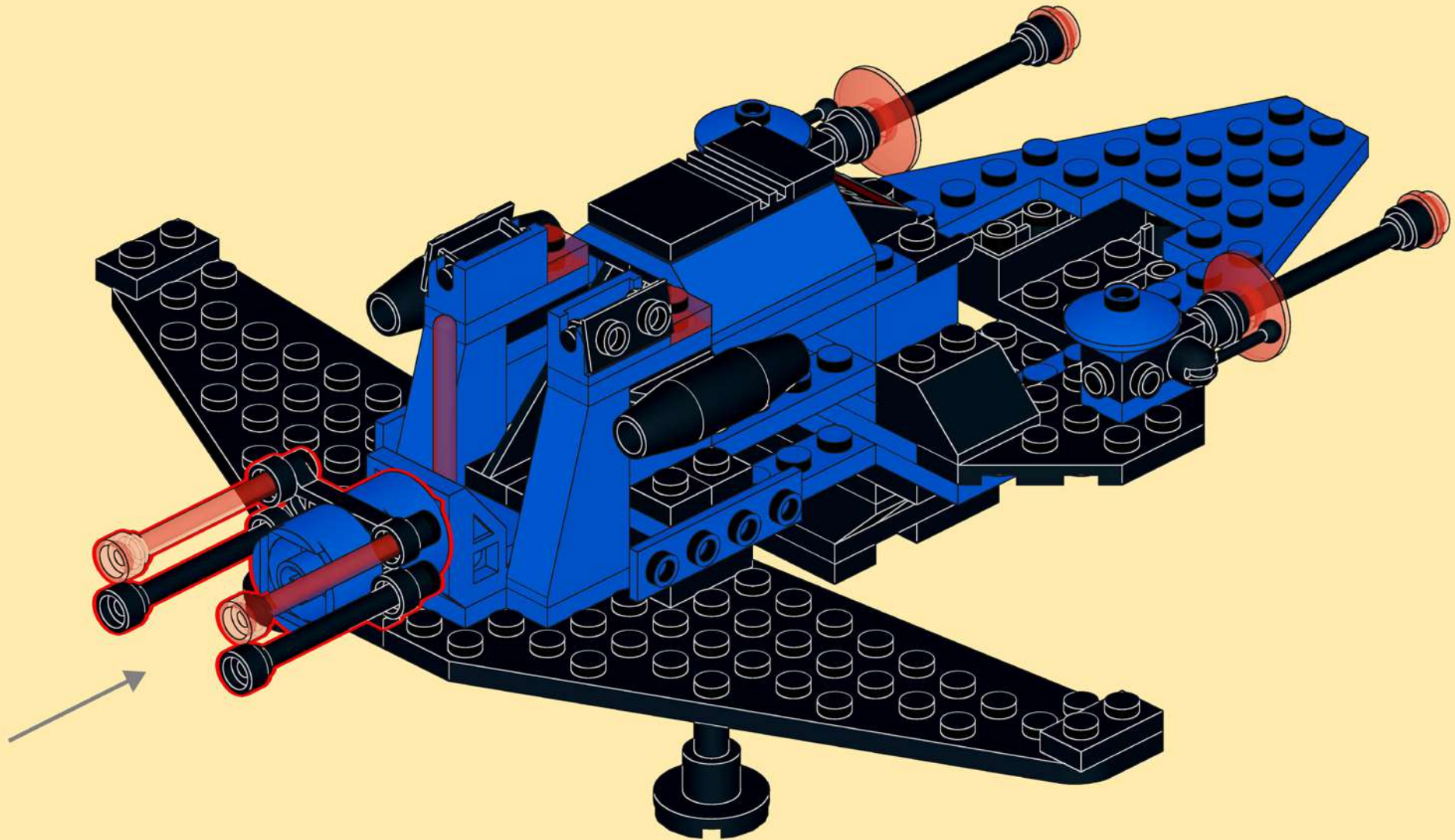
34



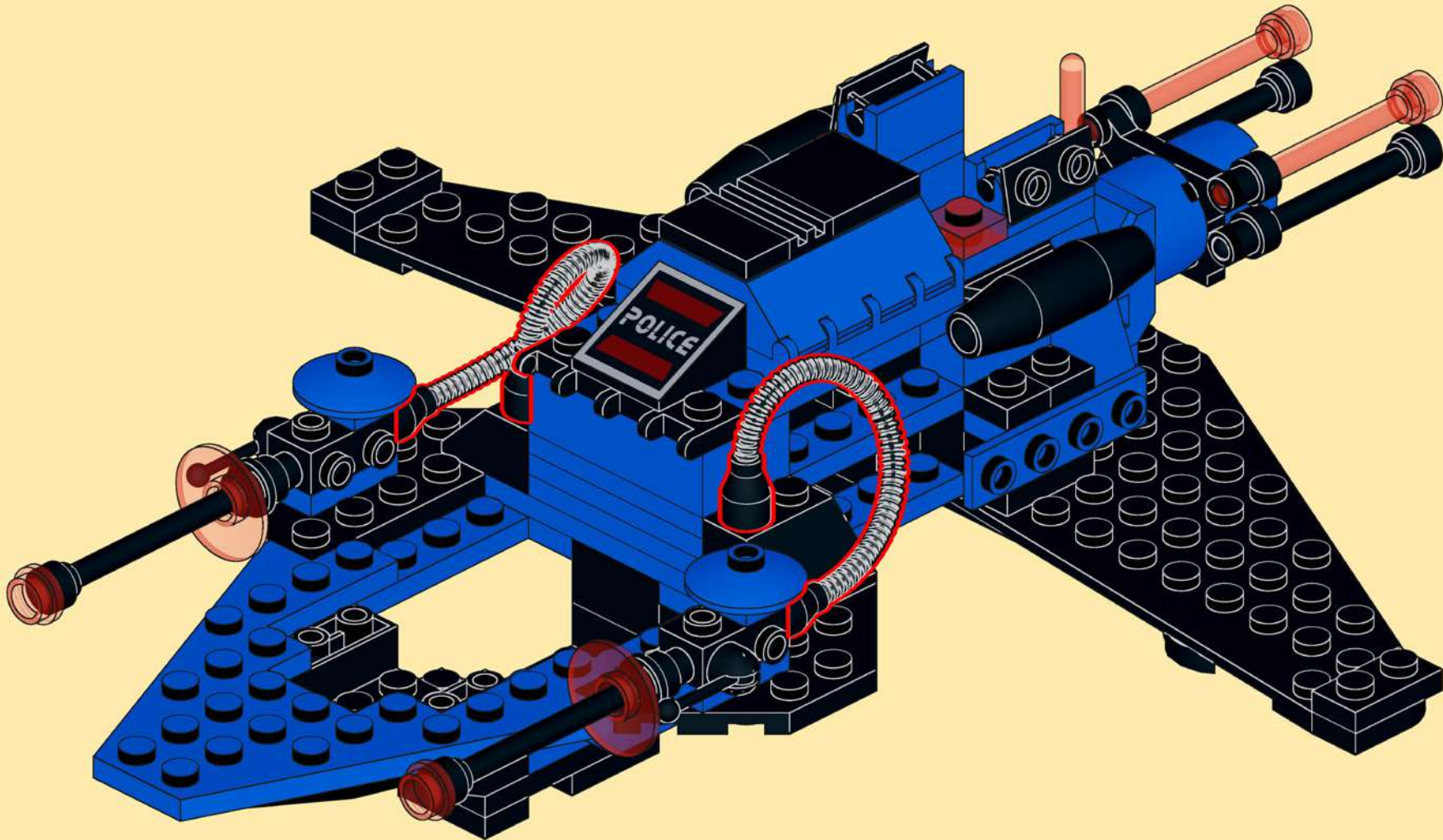
35



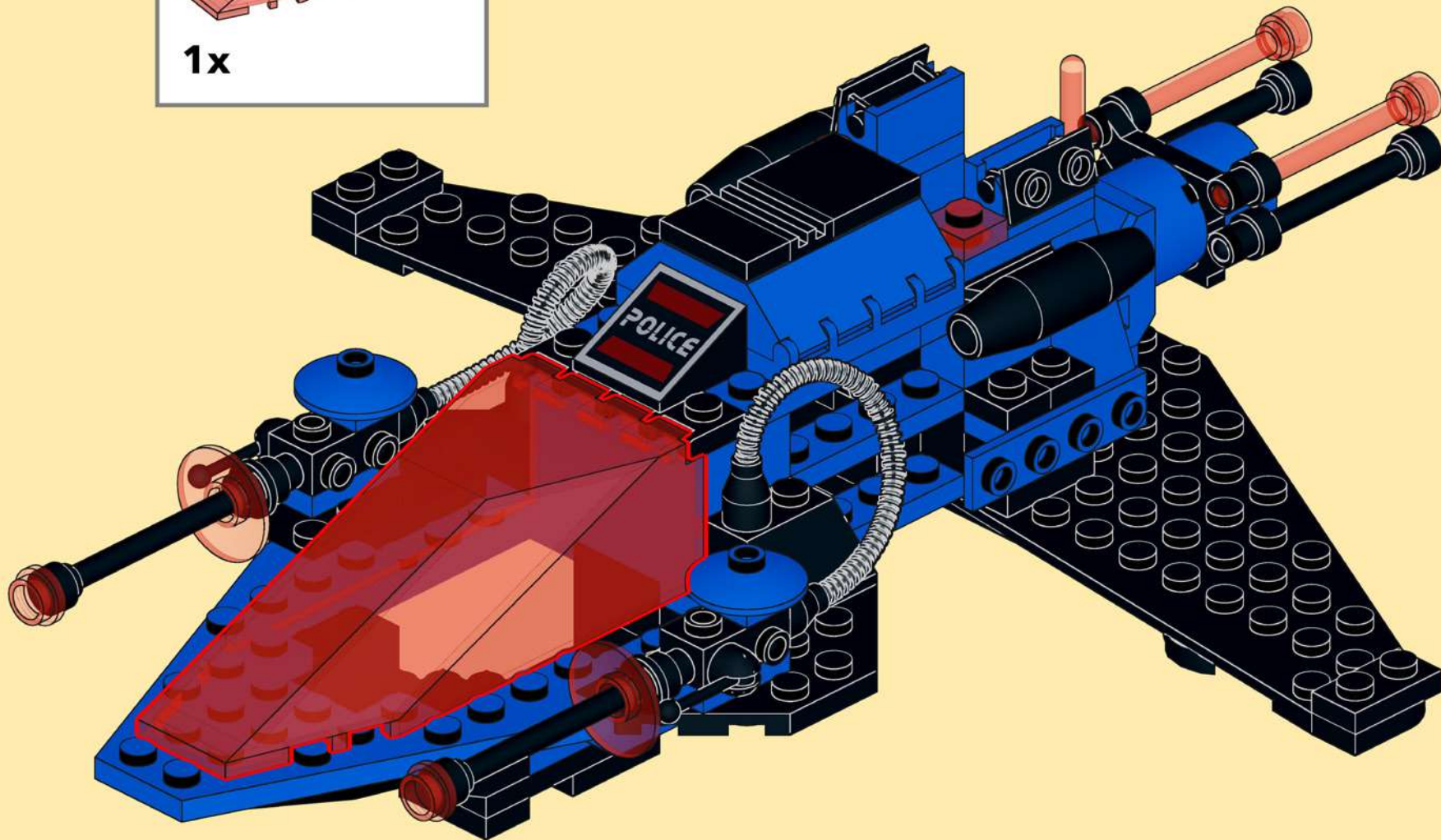
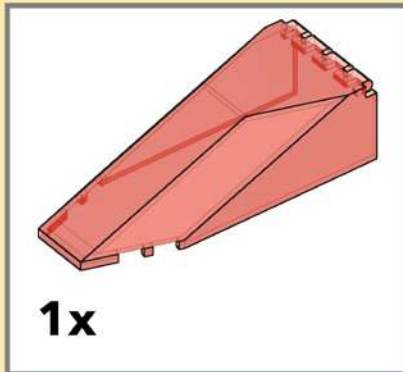
36



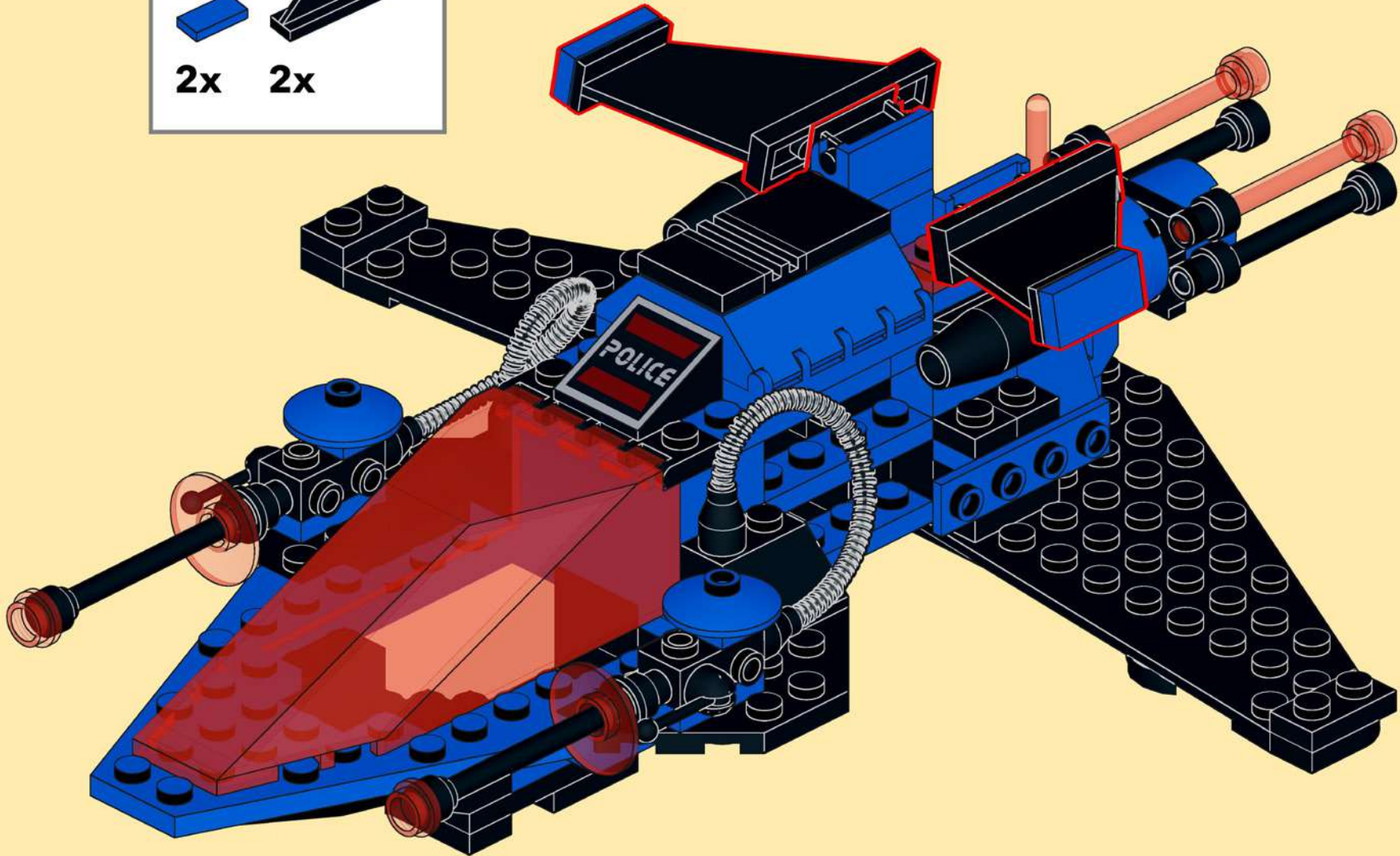
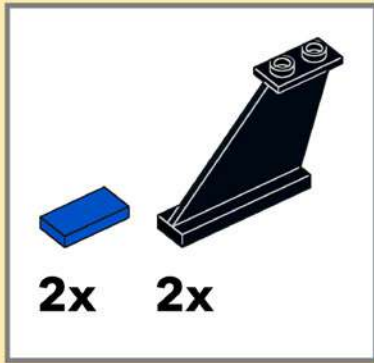
37



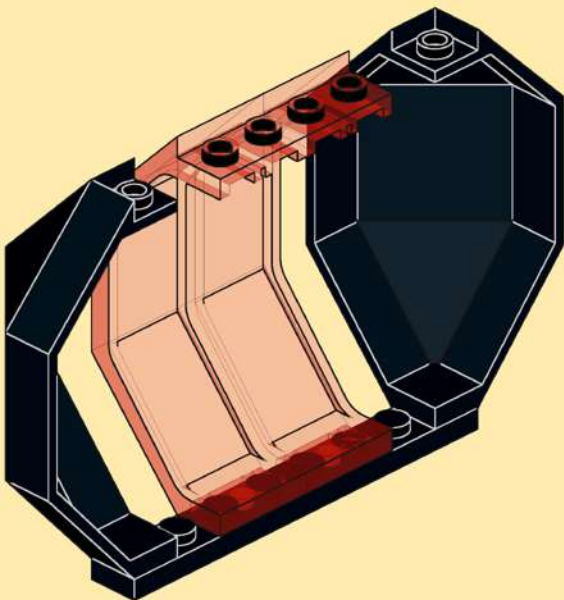
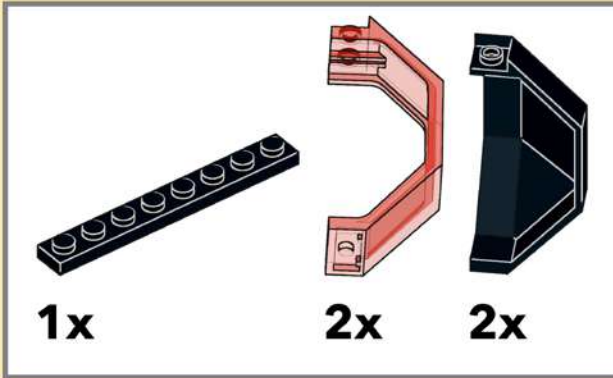
38



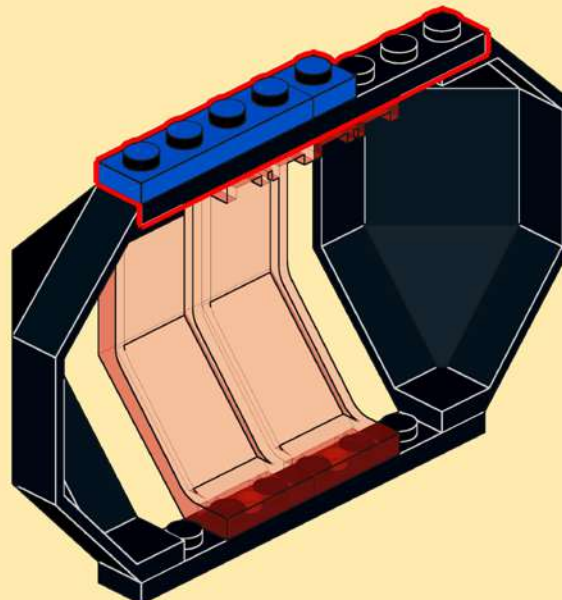
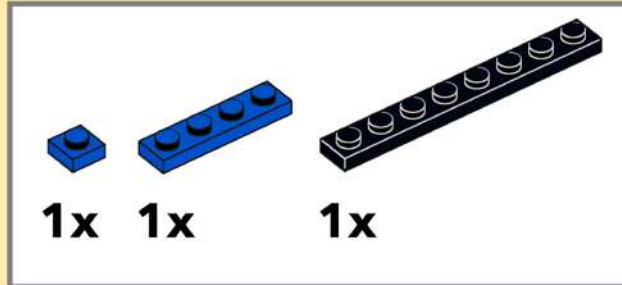
39



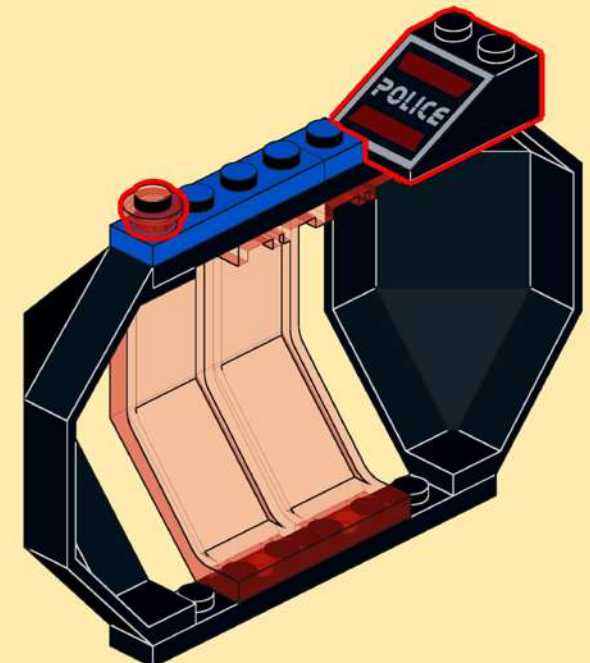
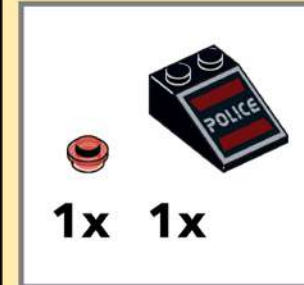
40



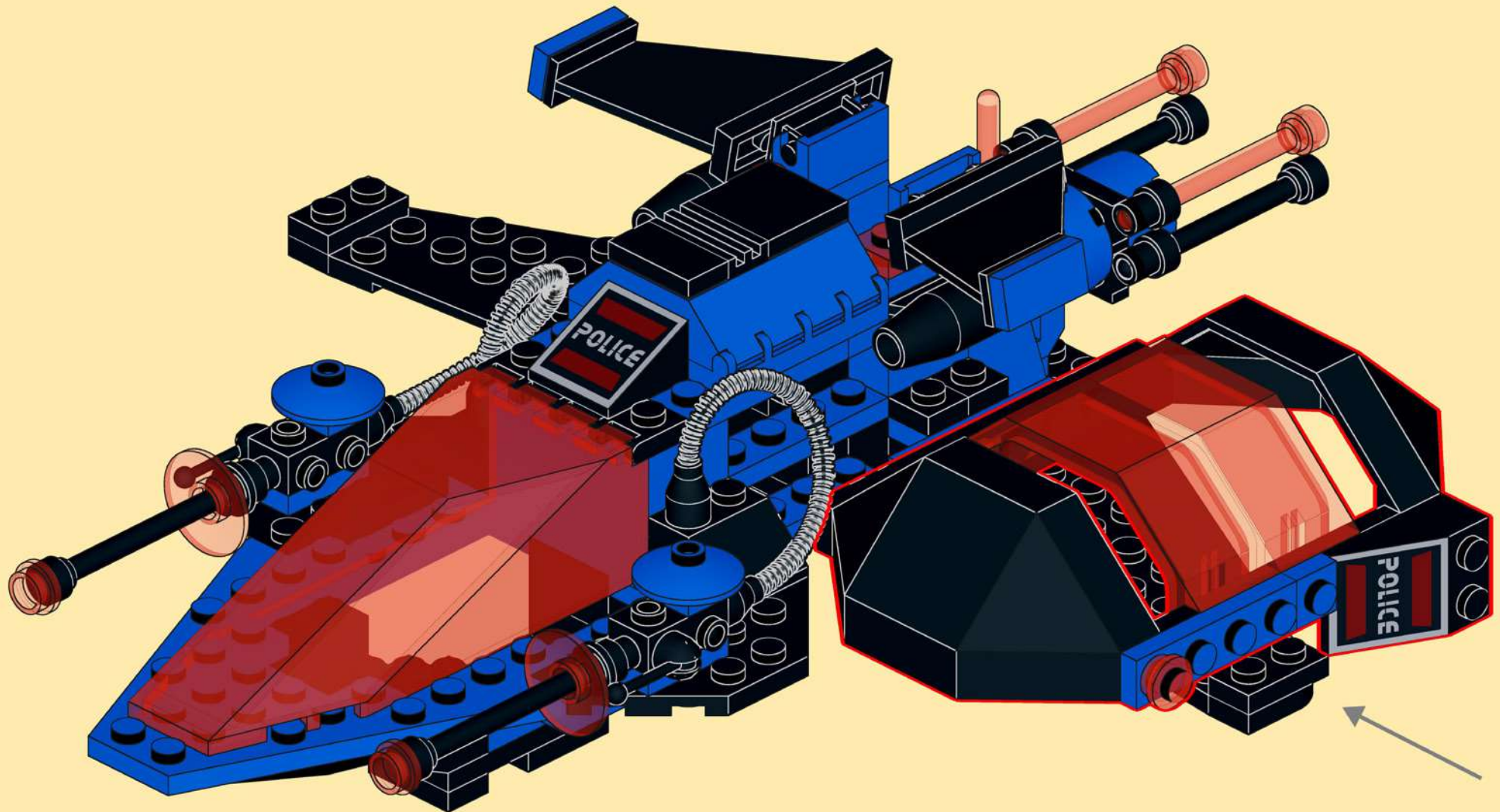
41



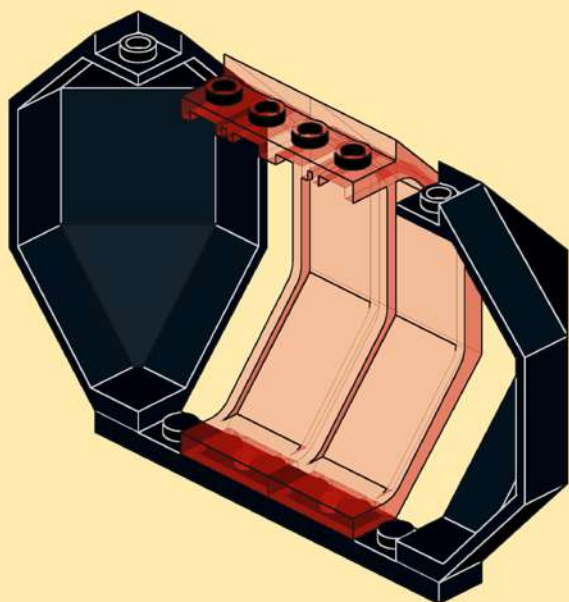
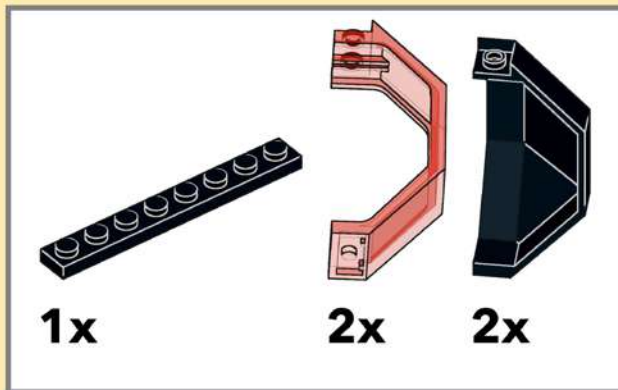
42



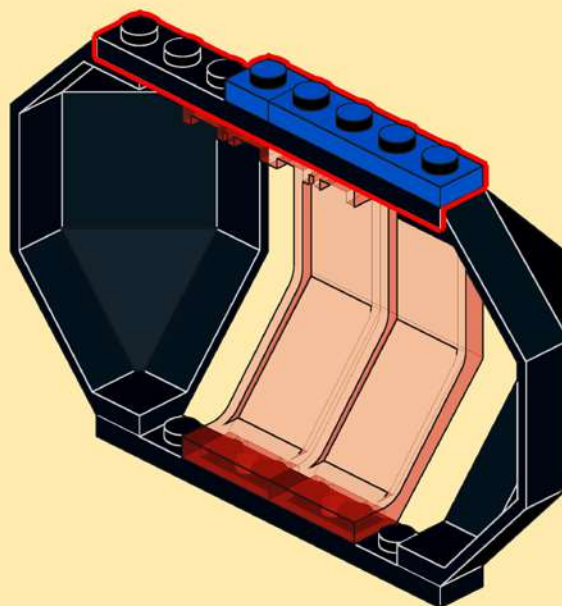
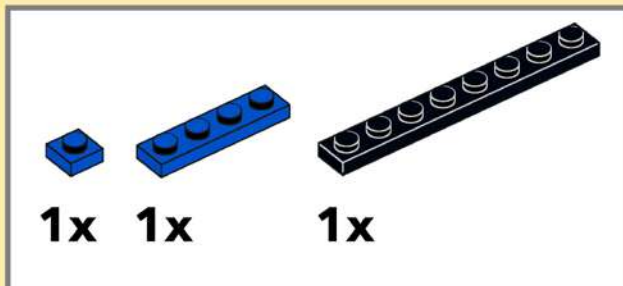
43



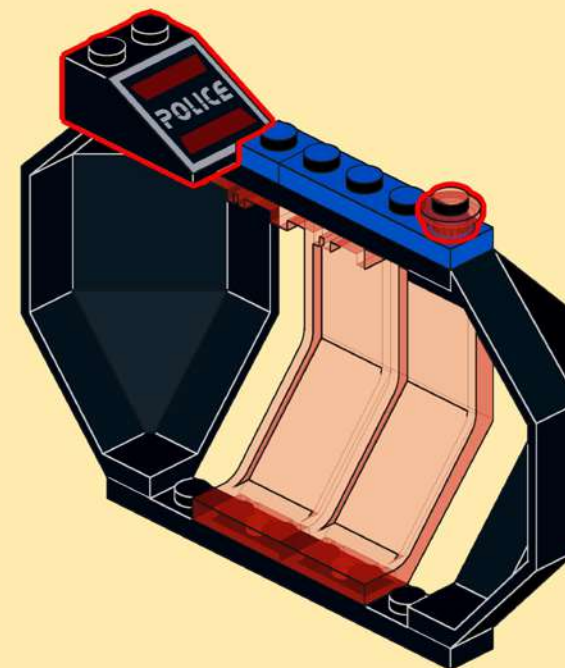
44



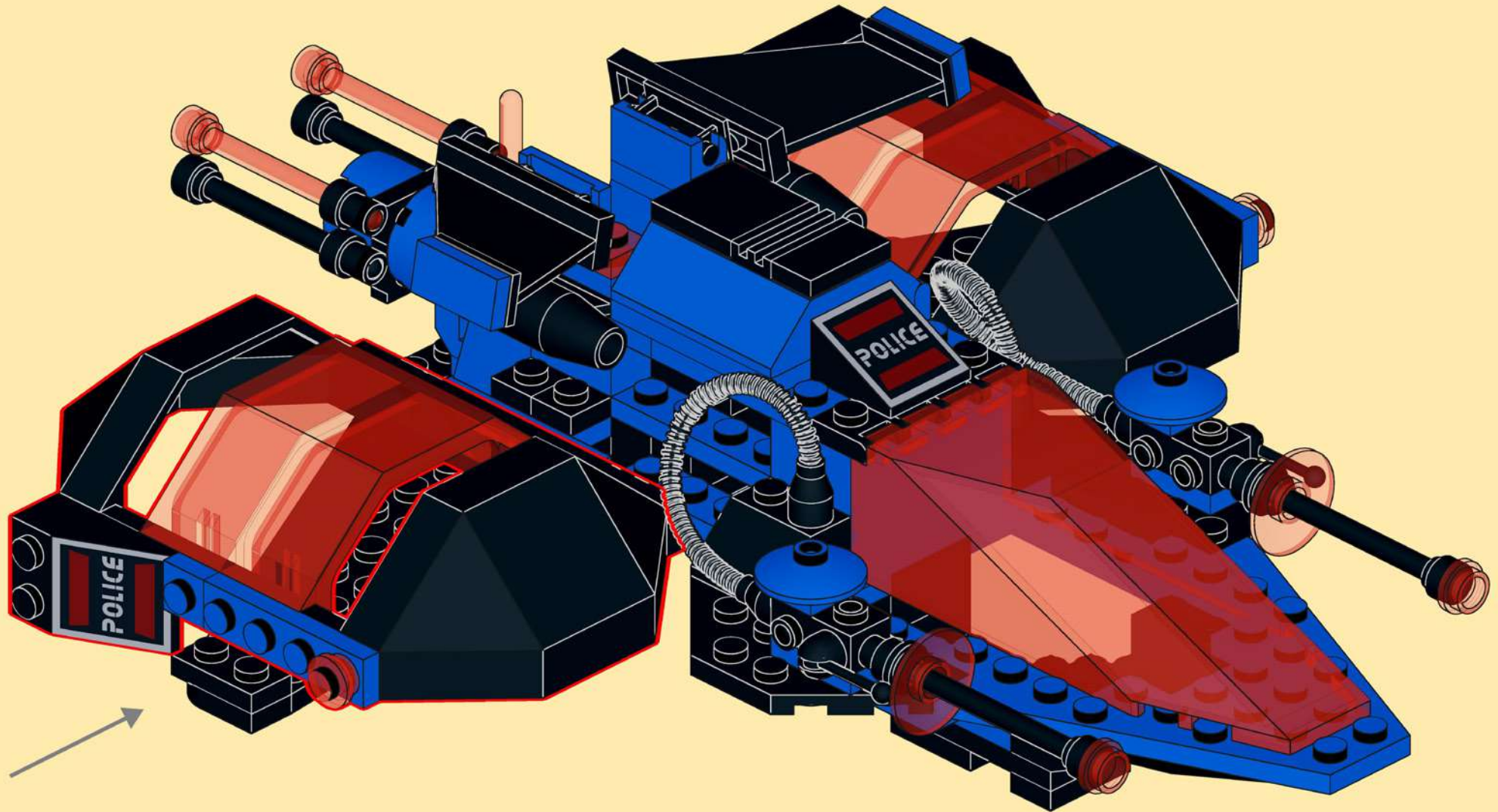
45



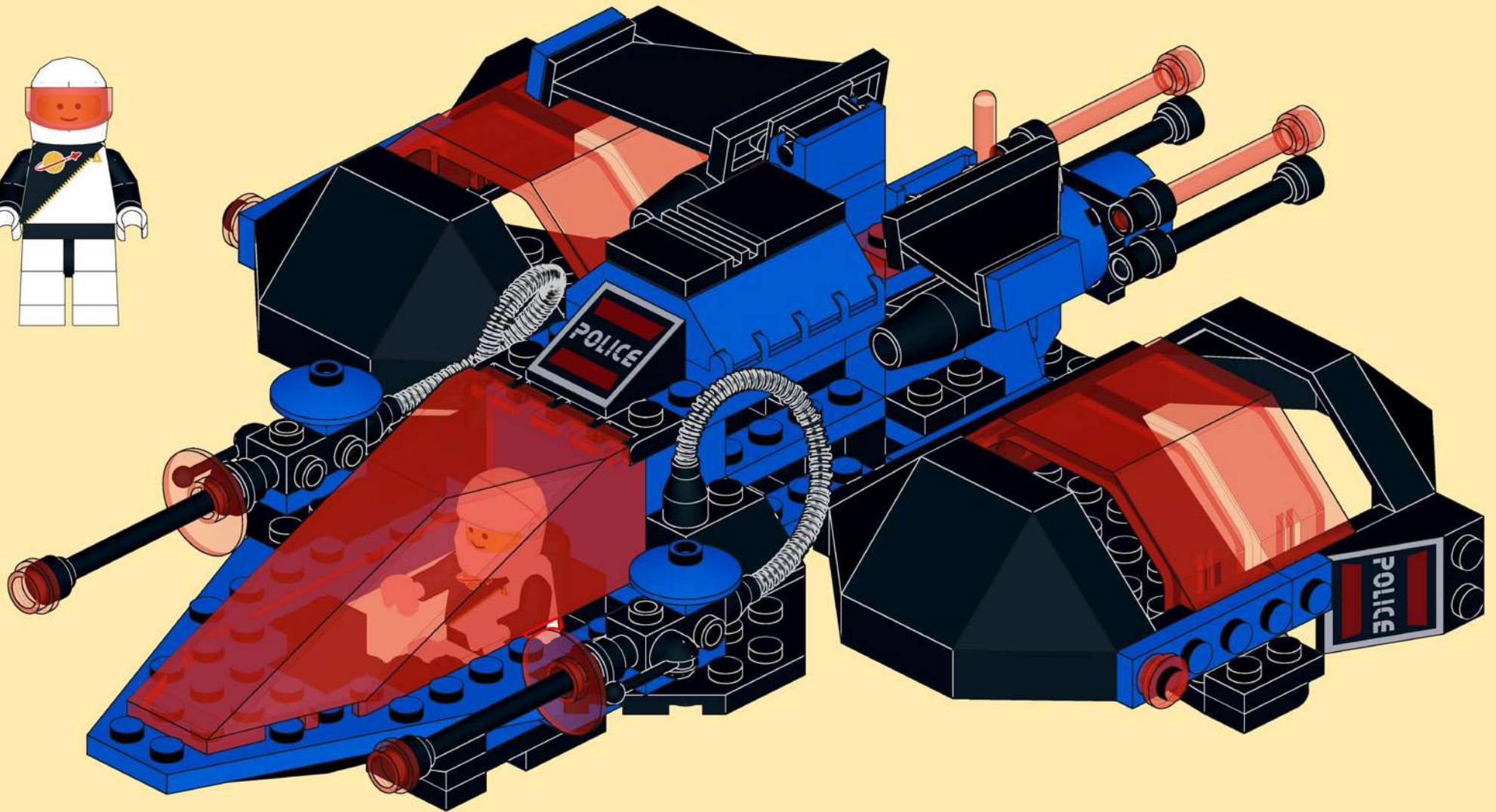
46

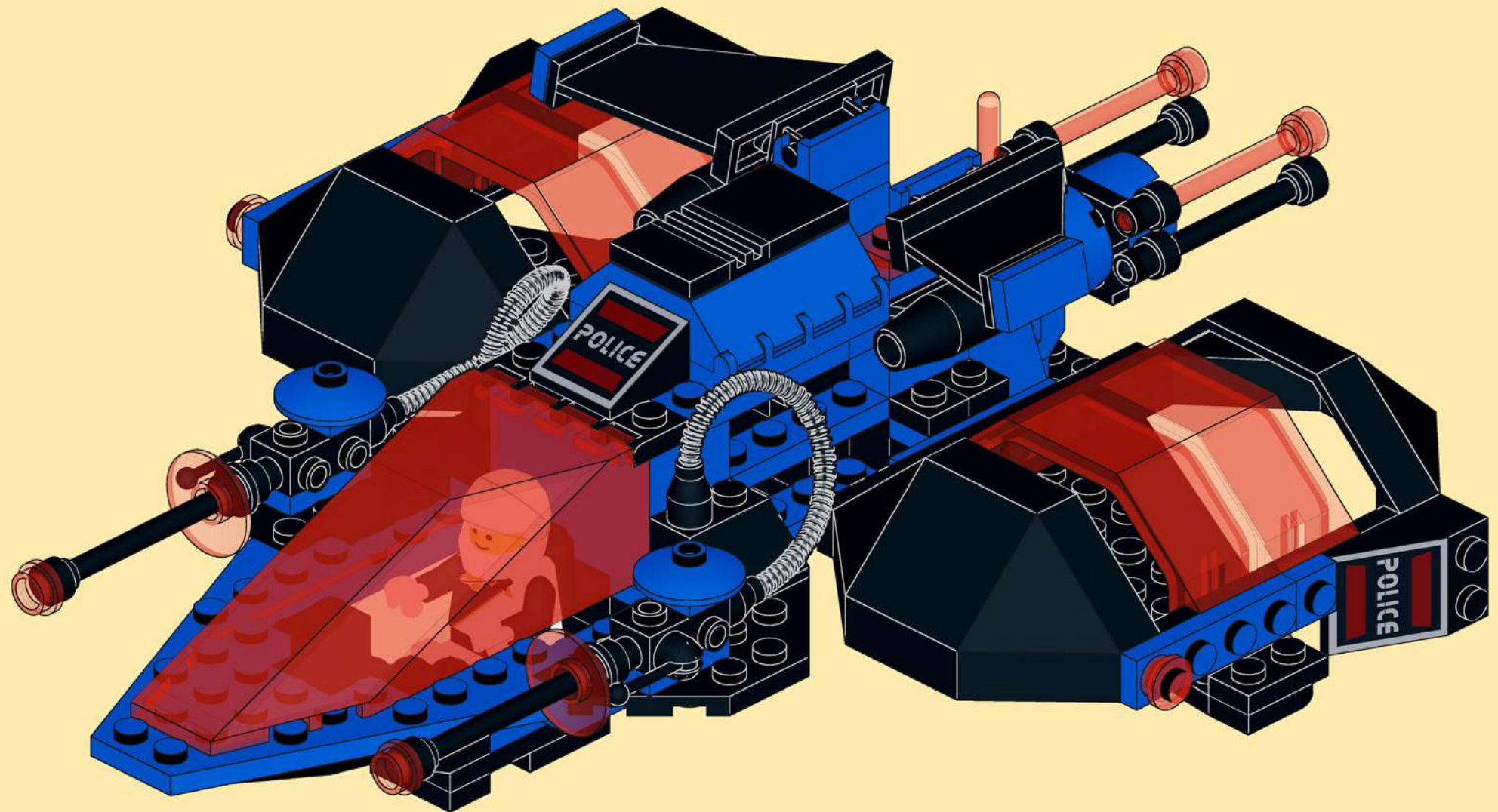


47



48





Build them all!

All three spaceships can be built with the parts coming from one copy of set 6986. Instructions are available for each back of the box model. Have fun building!

