

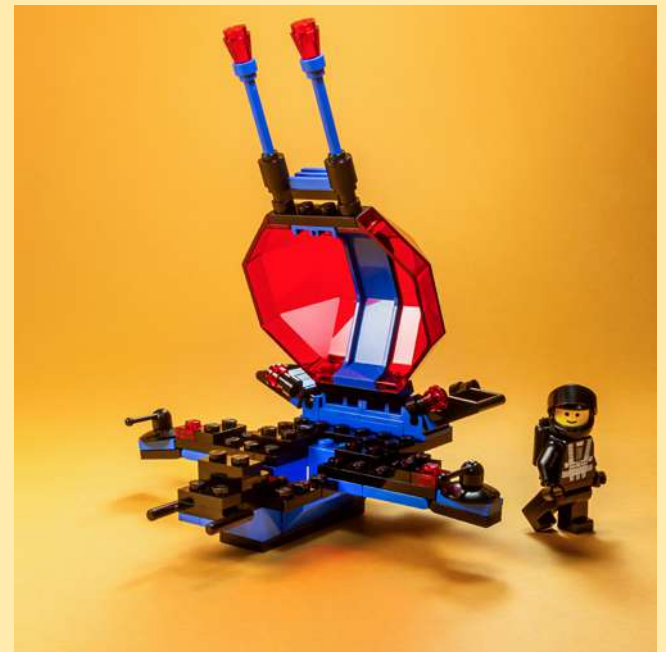
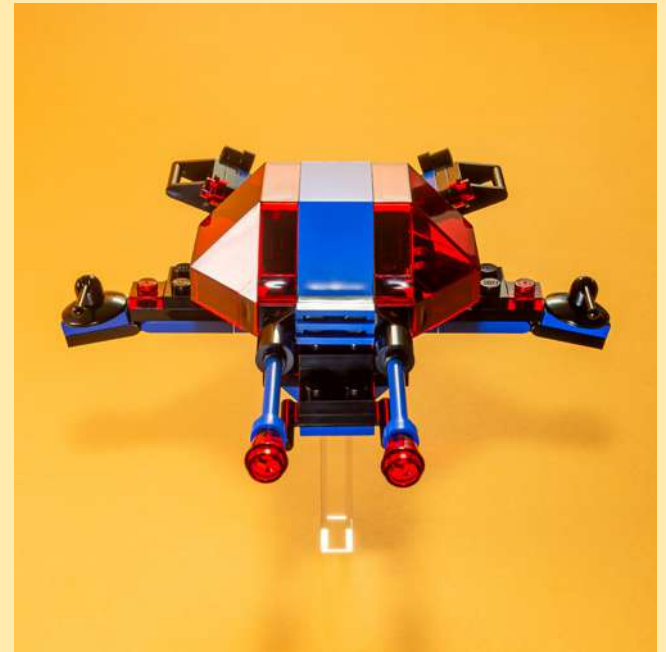


**6986**  
**MISSION COMMANDER**  
ALTERNATE MODEL (1989)

**INSTRUCTIONS**

CONCEPT BY BJARNE TVESKOV & LEGO  
PHOTOGRAPHY & INSTRUCTIONS  
BY COSMIC.BRICK

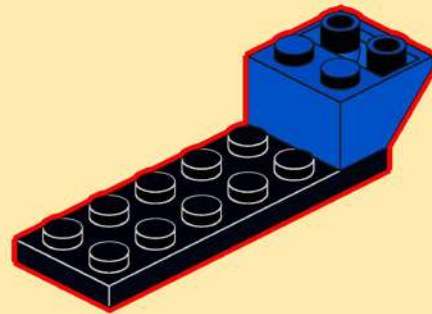
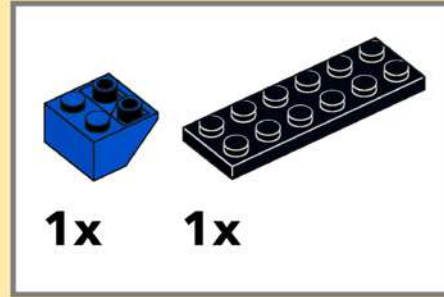




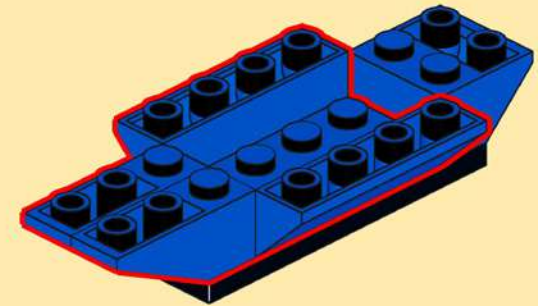
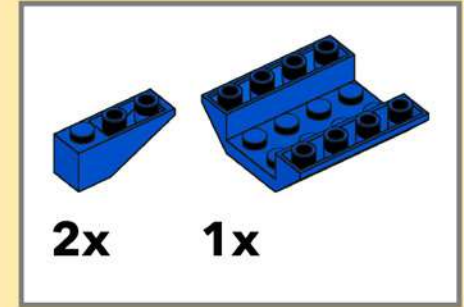
# 1



# 2

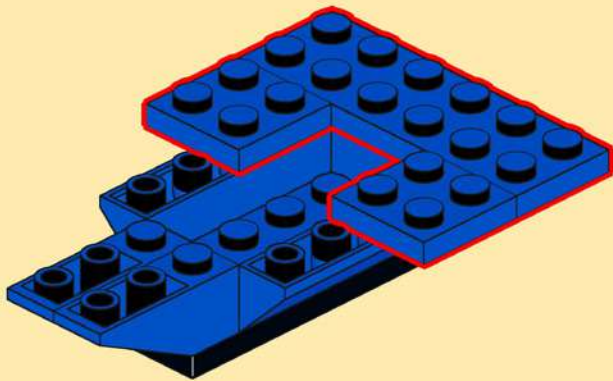
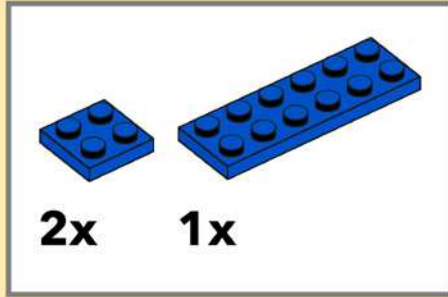


# 3

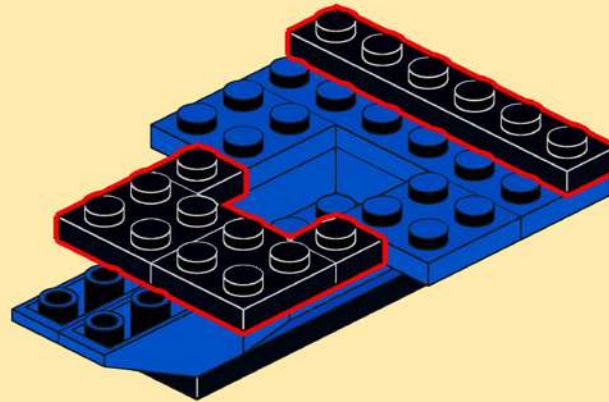
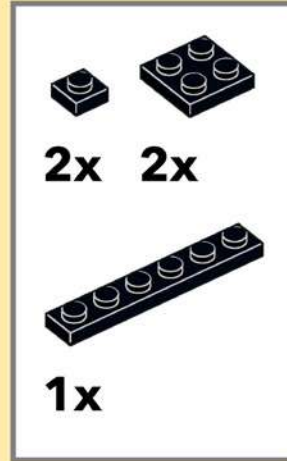




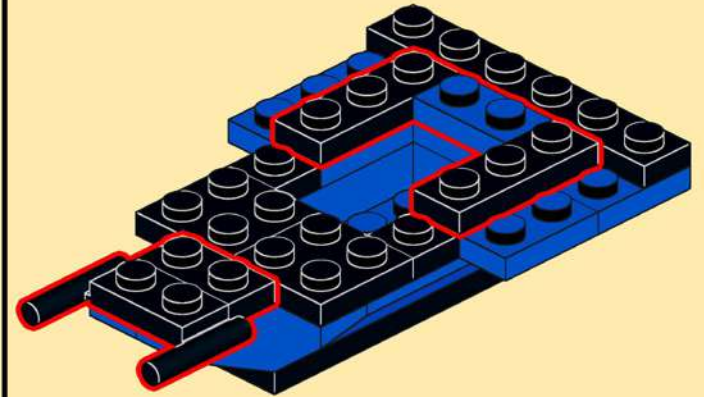
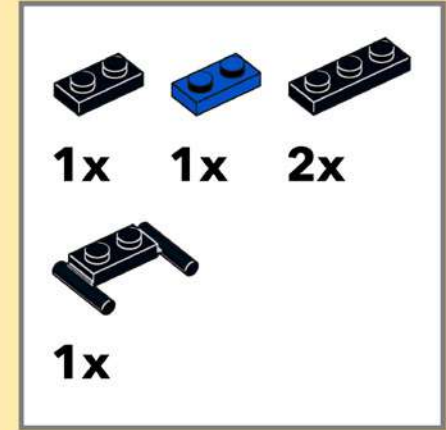
# 4



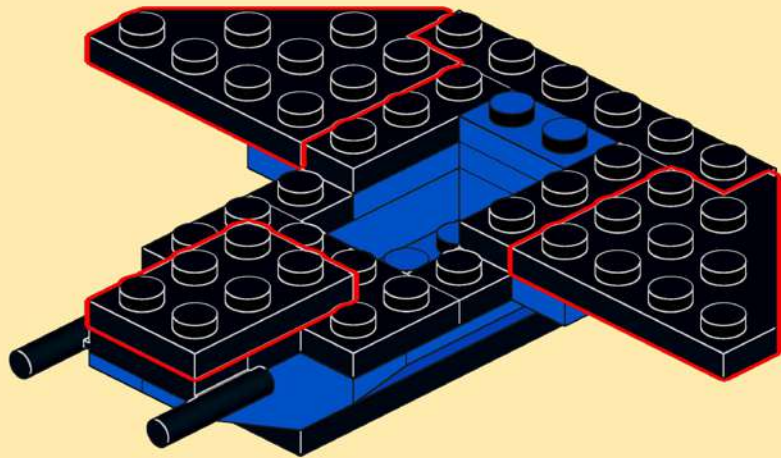
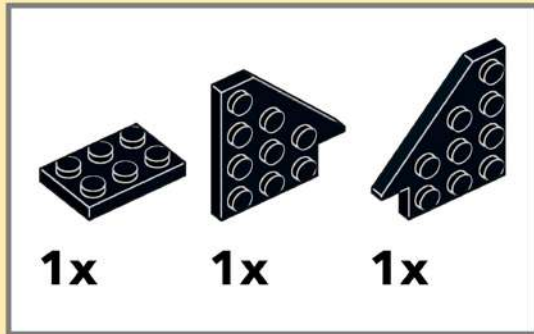
# 5



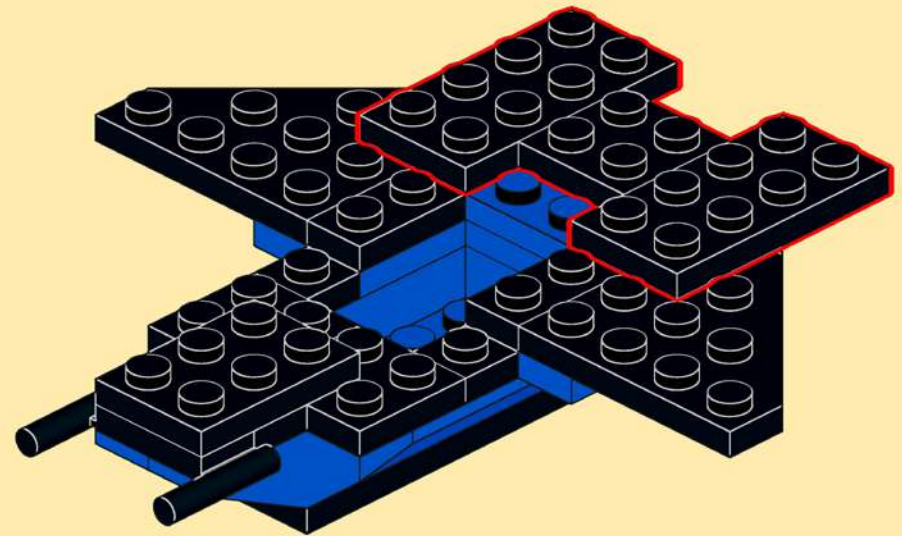
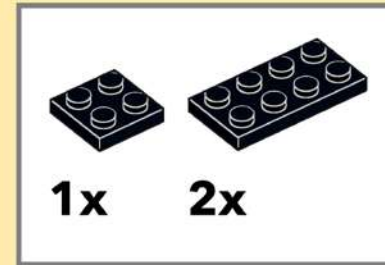
# 6



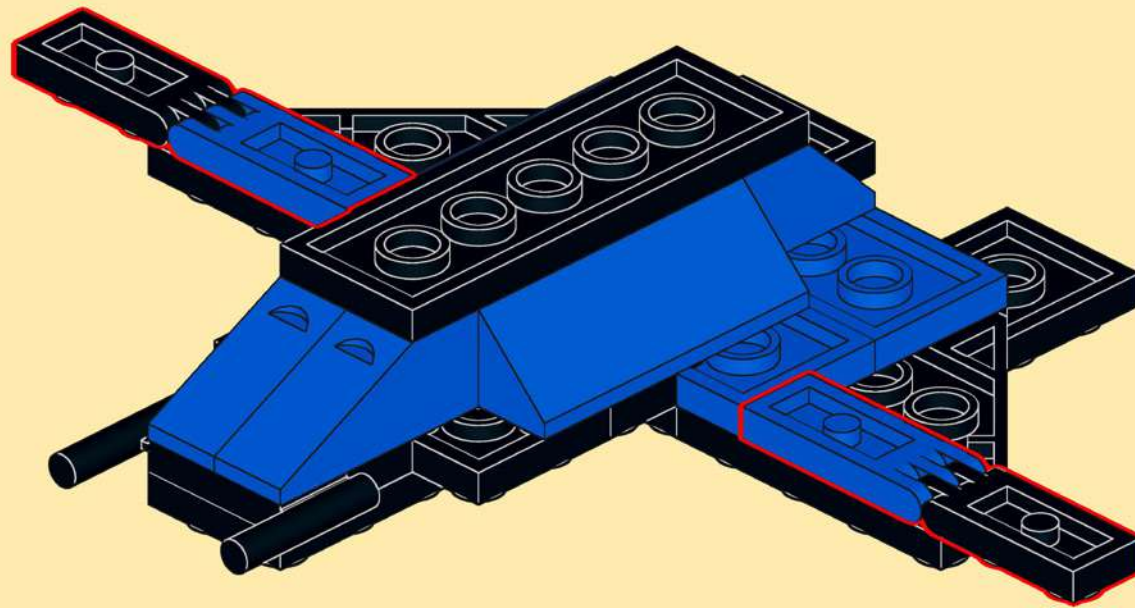
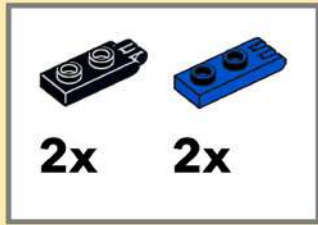
# 7



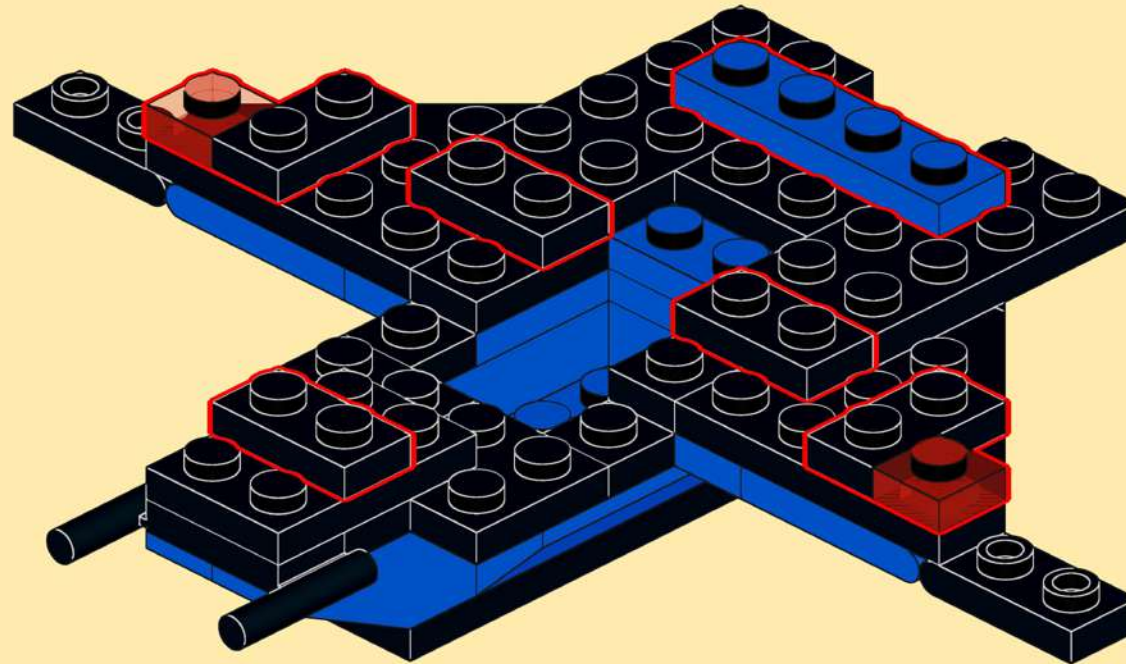
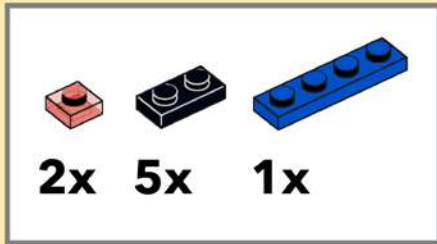
# 8



9


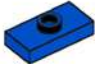




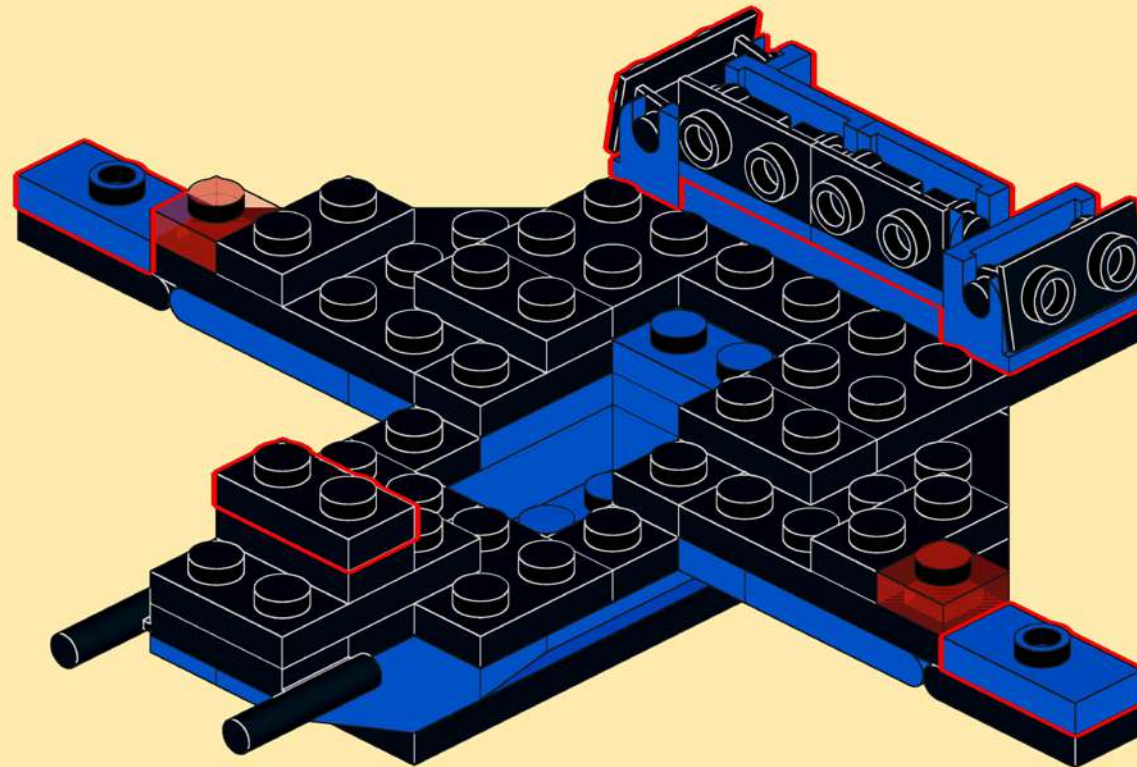
# 10





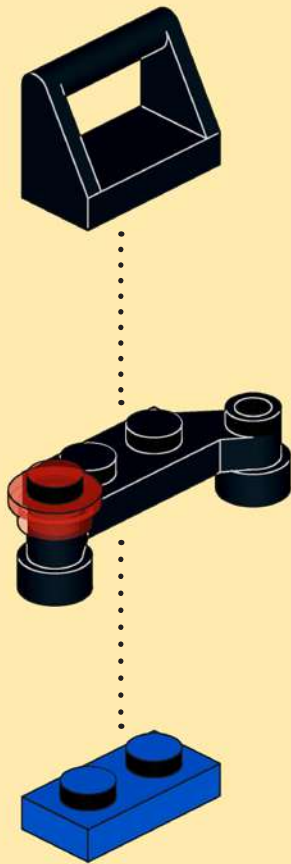
# 11

			
<b>1x</b>	<b>2x</b>	<b>4x</b>	<b>4x</b>

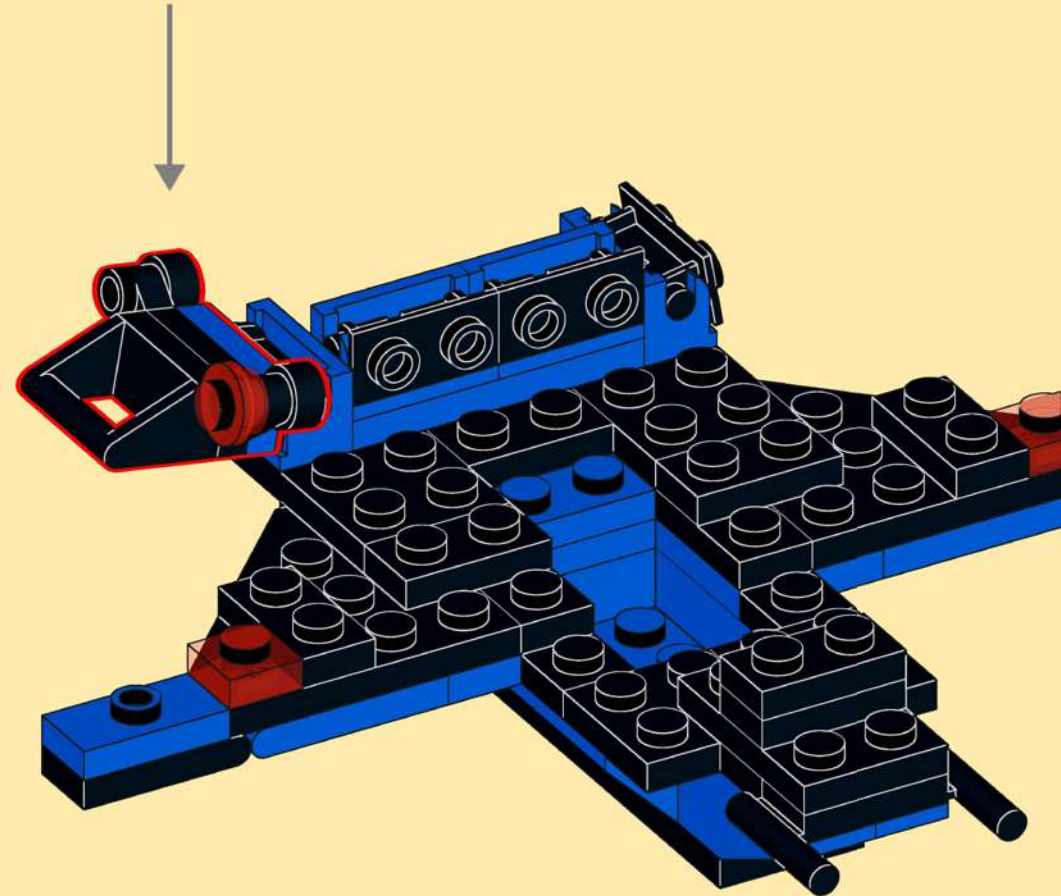




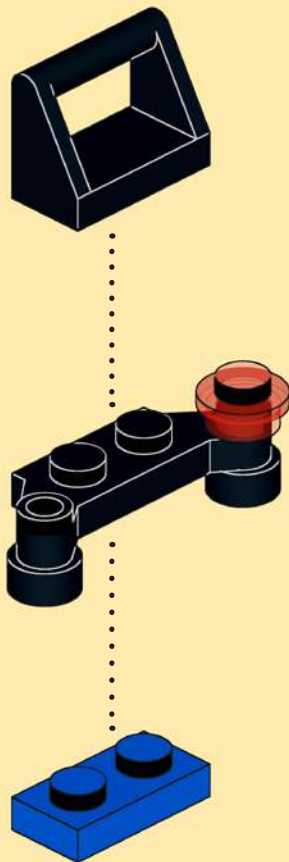
# 12



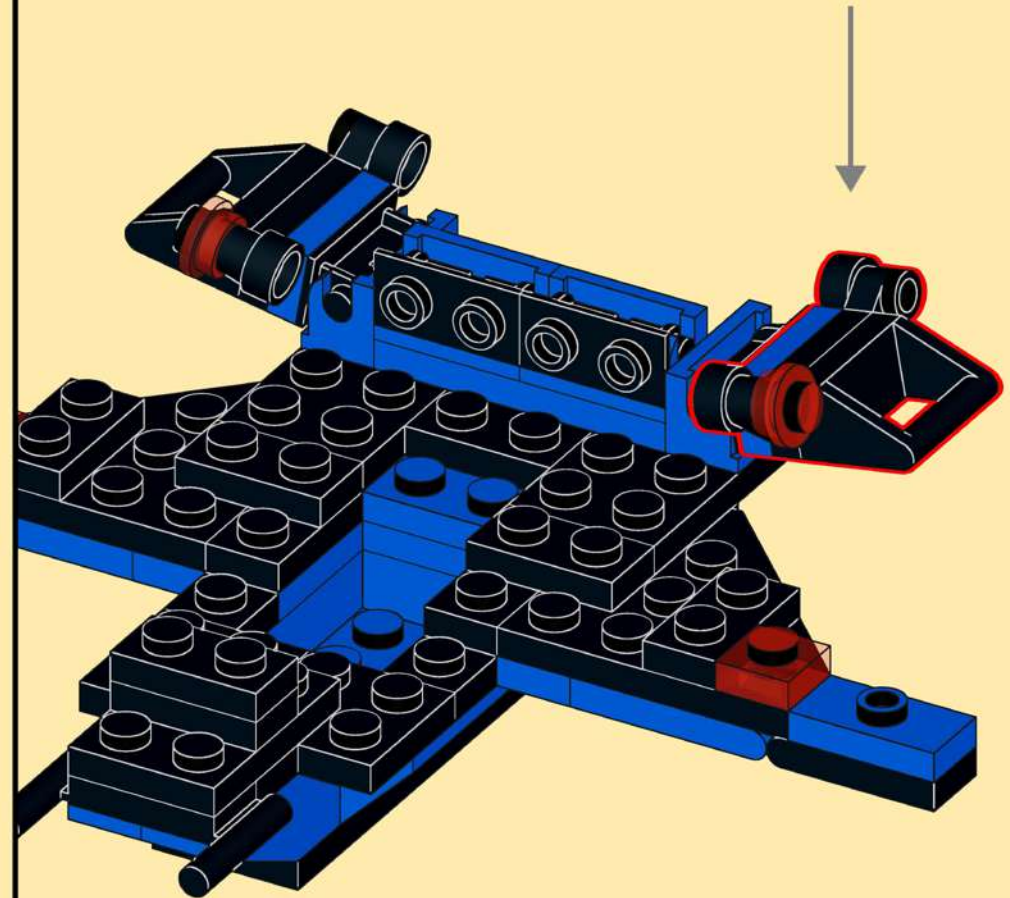
# 13



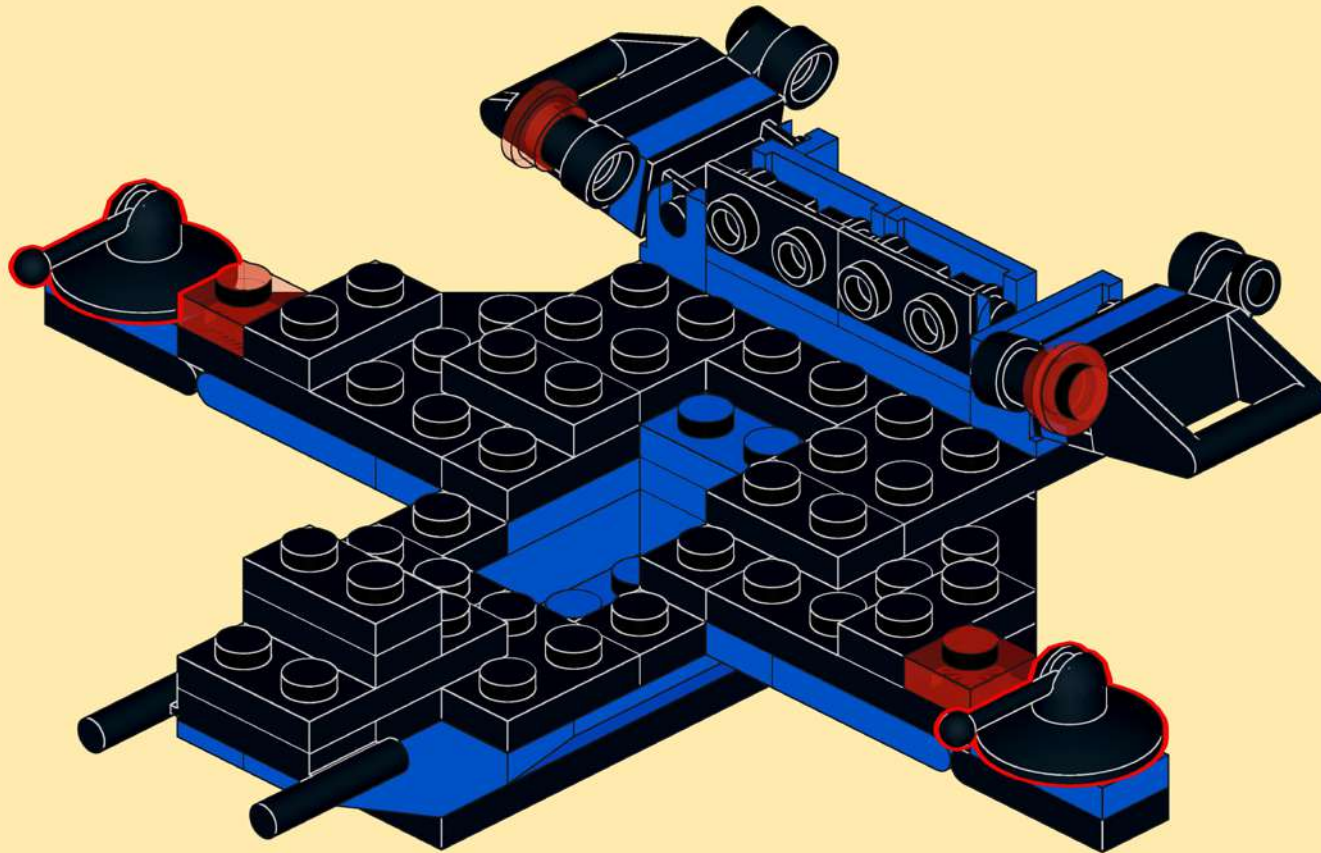
# 14



# 15

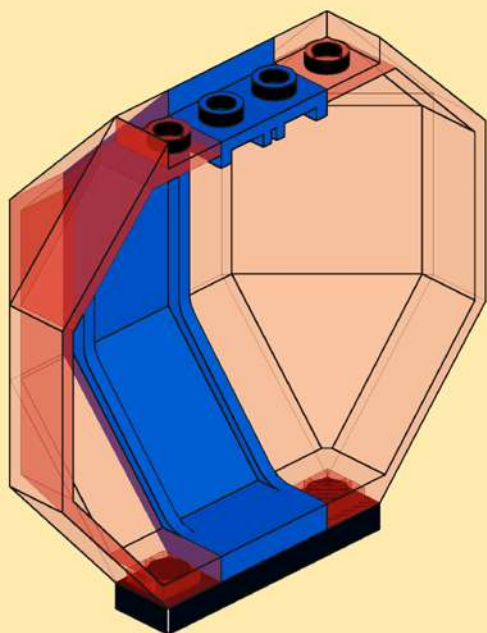
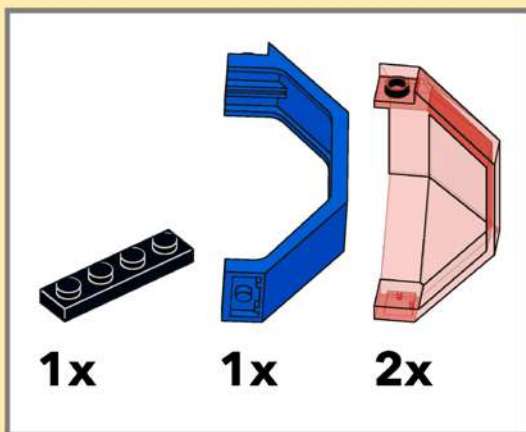


# 16

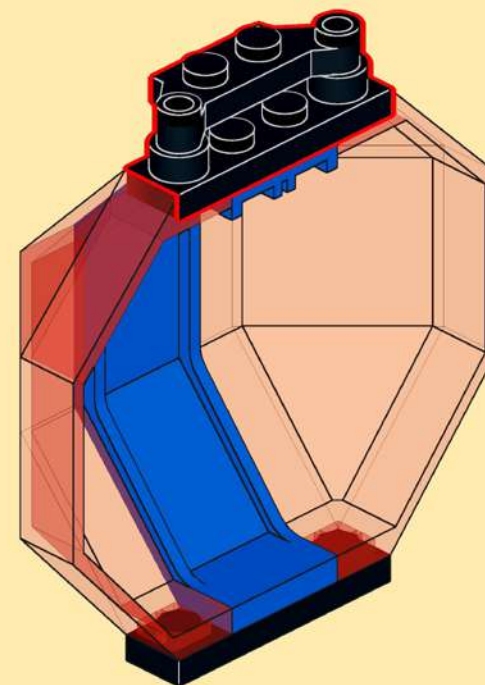
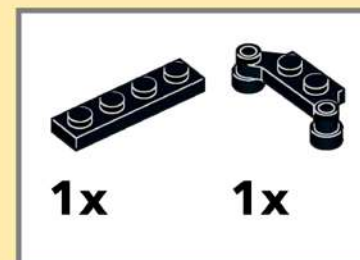




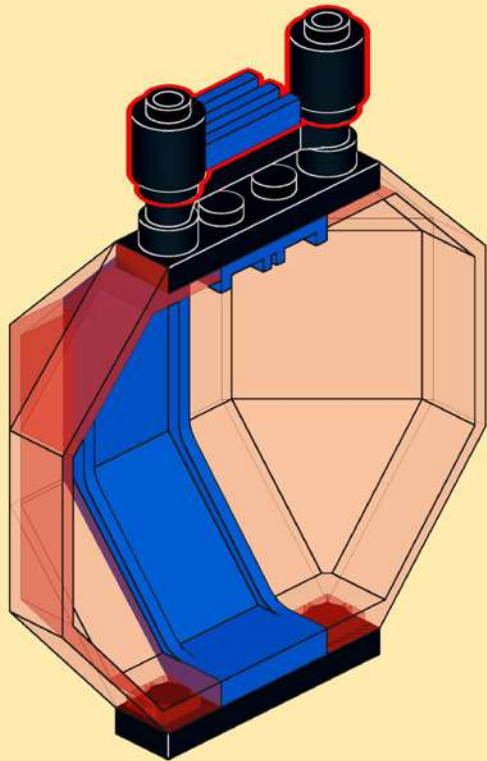
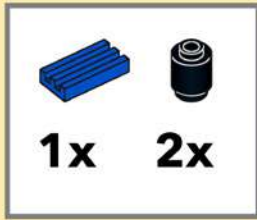
# 17



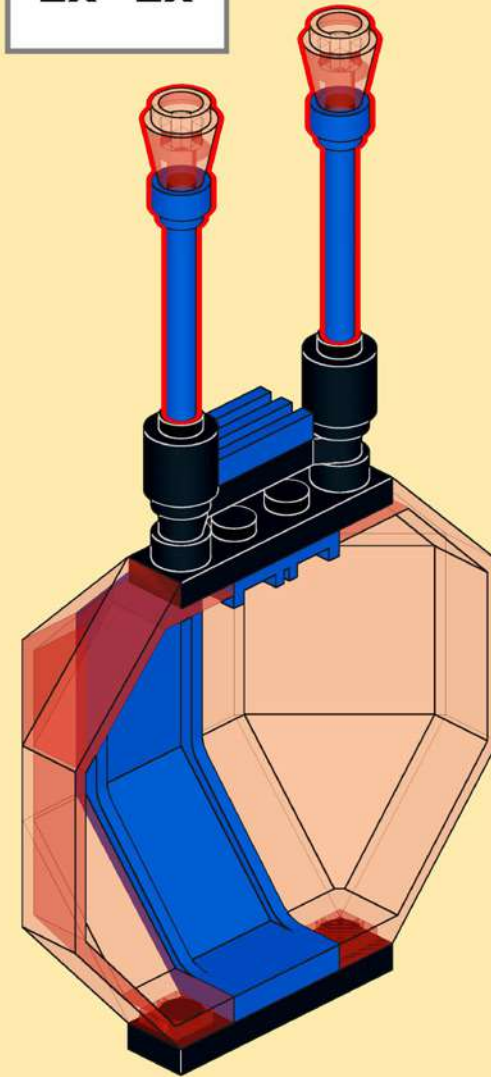
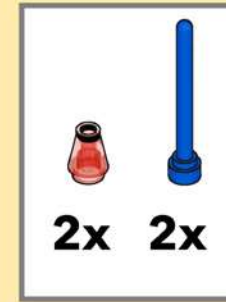
# 18



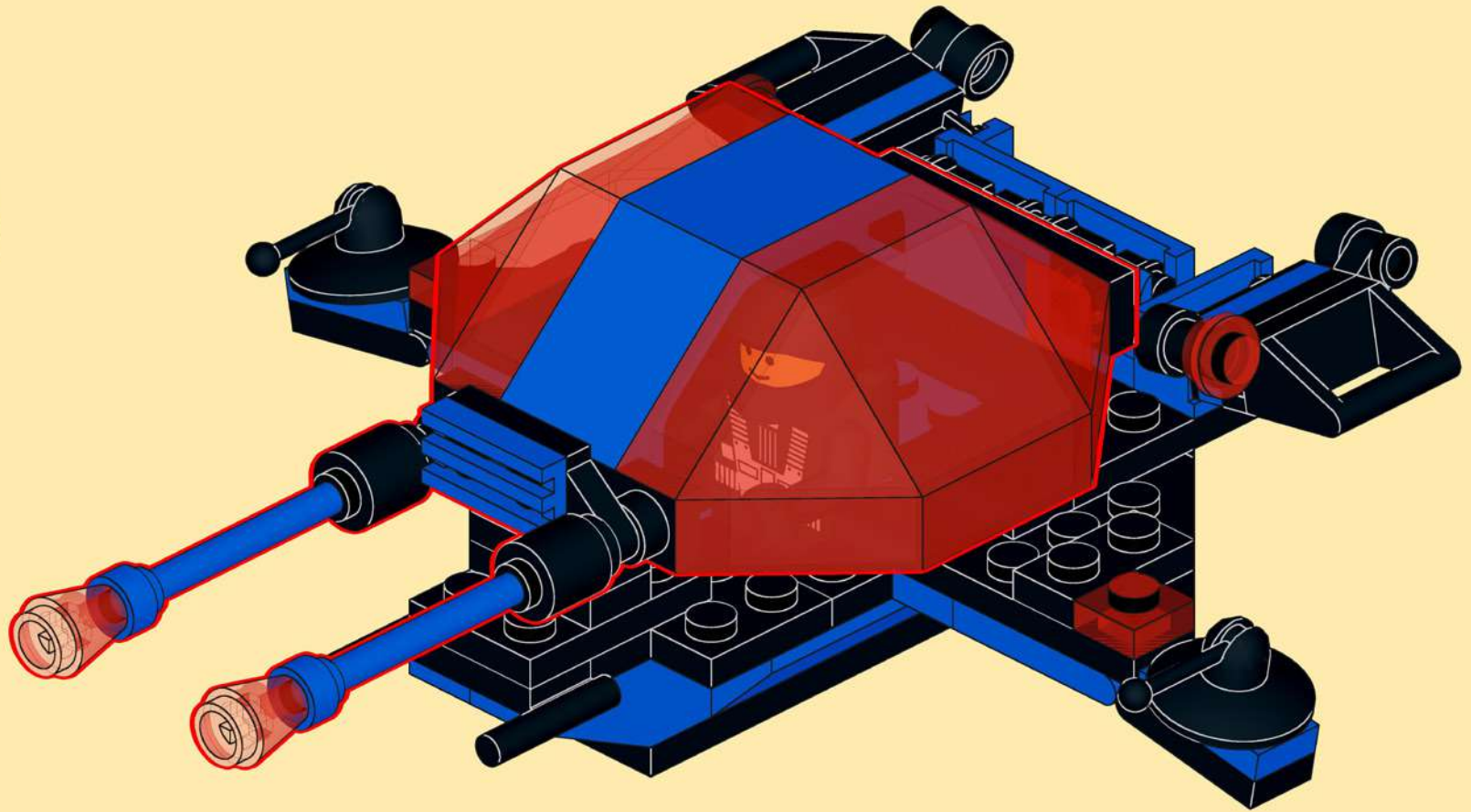
# 19



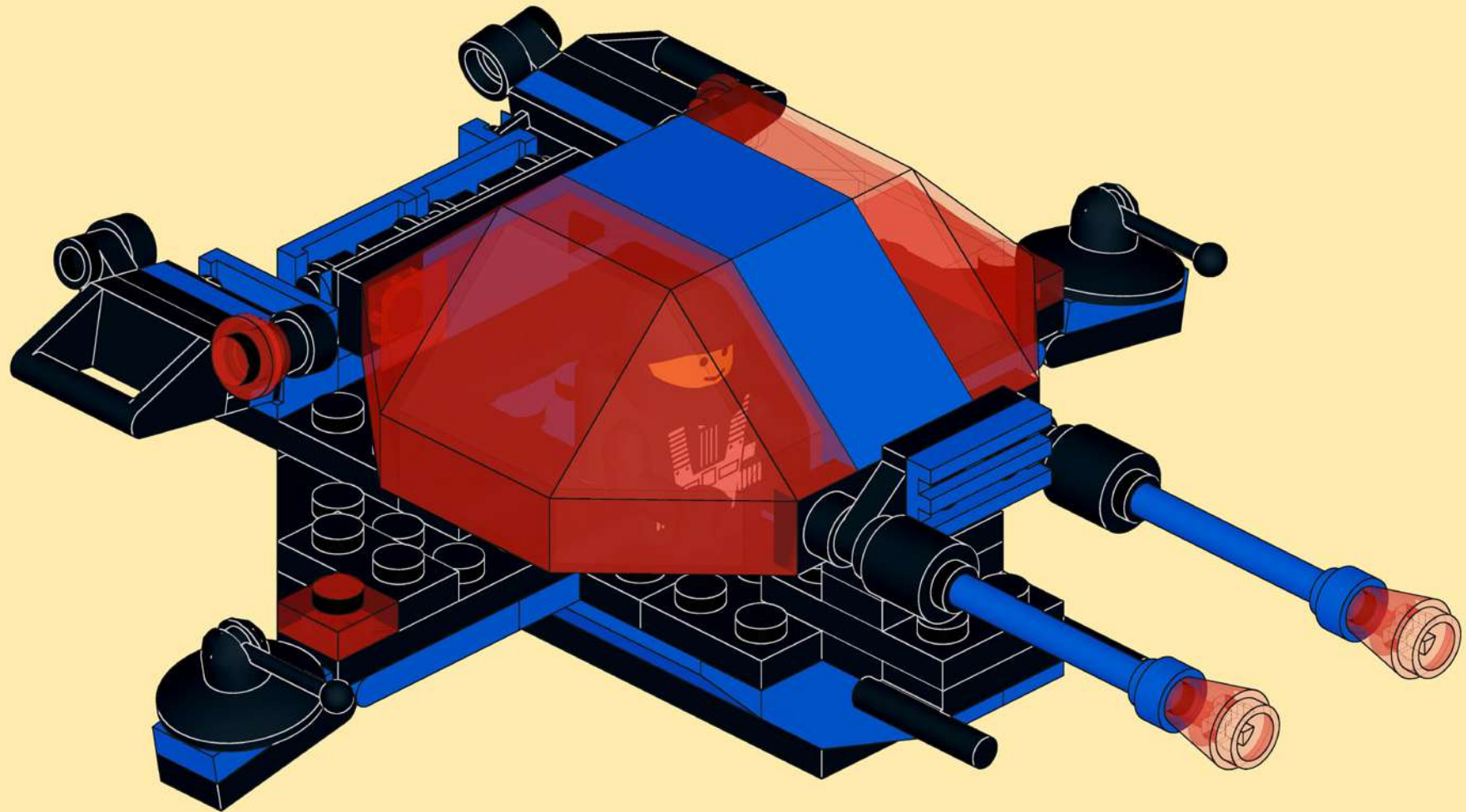
# 20



# 21







## Build them all!

All three spaceships can be built with the parts coming from one copy of set 6986. Instructions are available for each back of the box model. Have fun building!

