



1616
SPACE COMBI-PACK
(SETS 1620 & 1621)
ALTERNATE MODEL (1990)

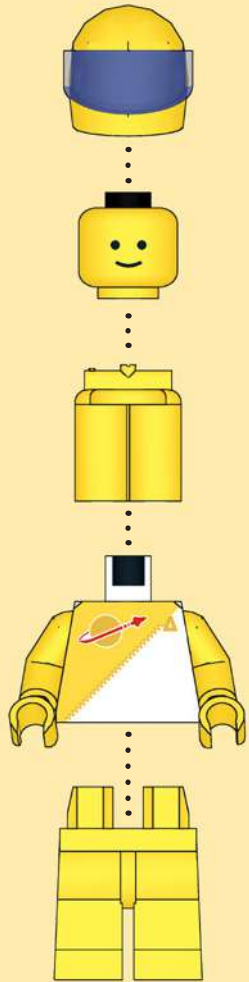
INSTRUCTIONS

CONCEPT BY BJARNE TVESKOV,
JØRN THOMSEN & LEGO
PHOTOGRAPHY & INSTRUCTIONS
BY COSMIC.BRICK

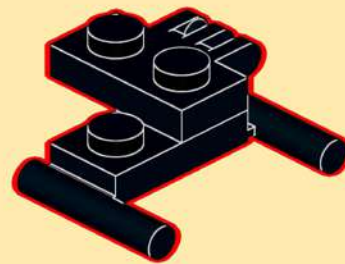
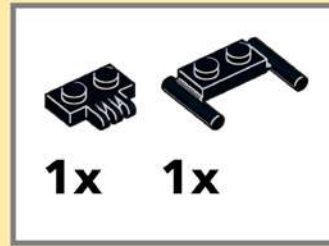




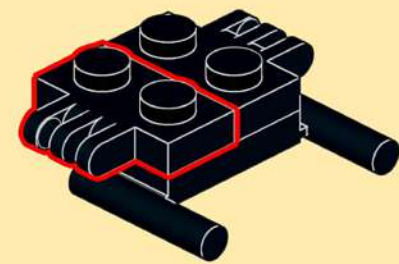
1



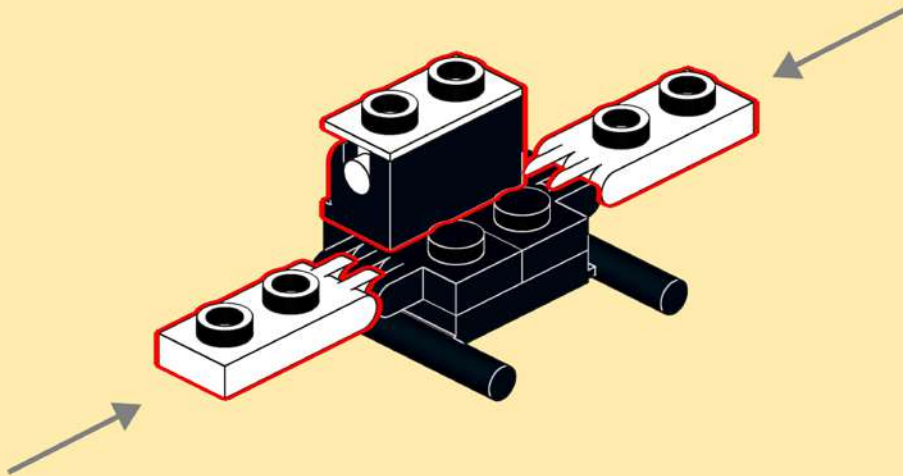
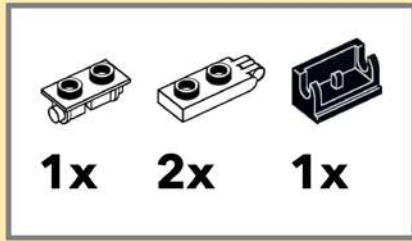
2



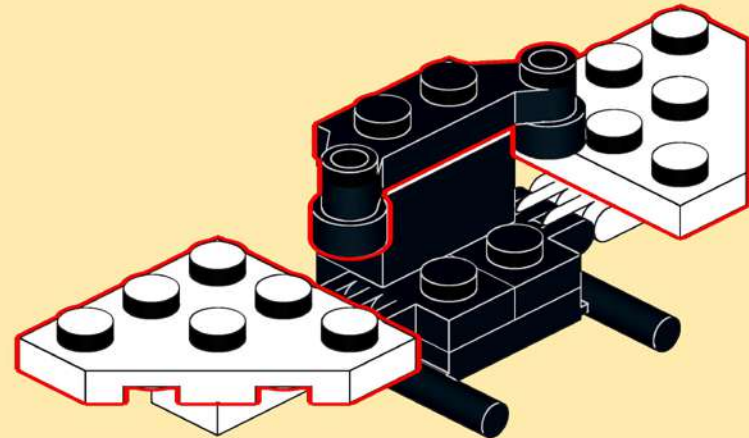
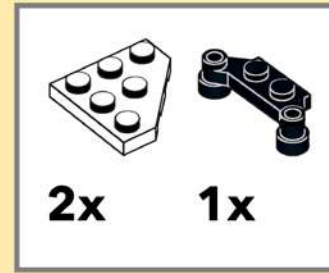
3



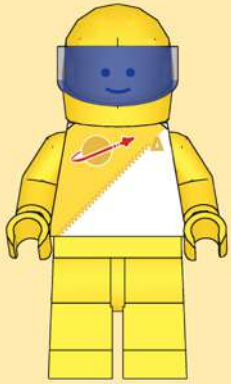
4



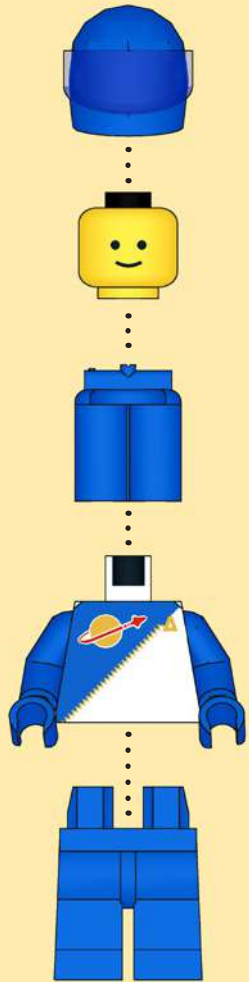
5



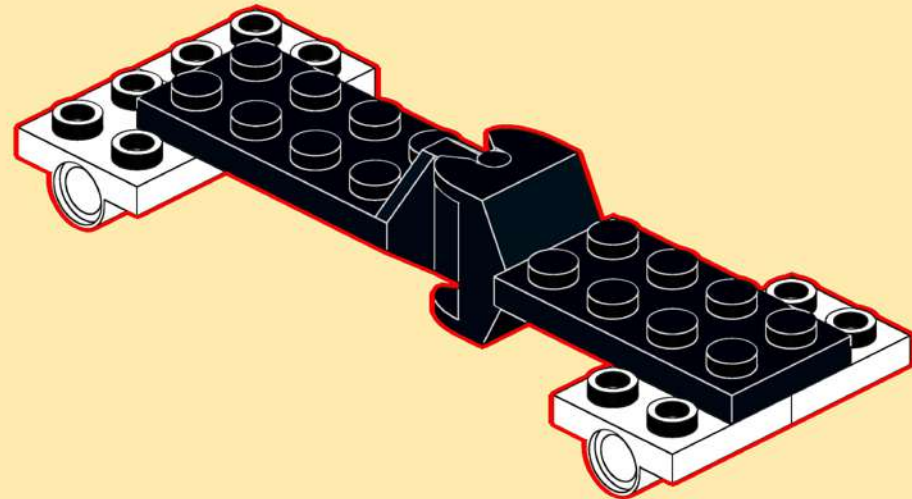
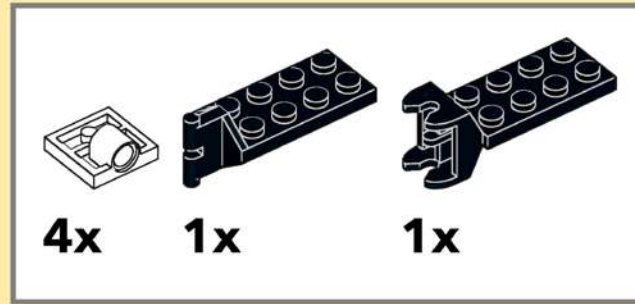
6



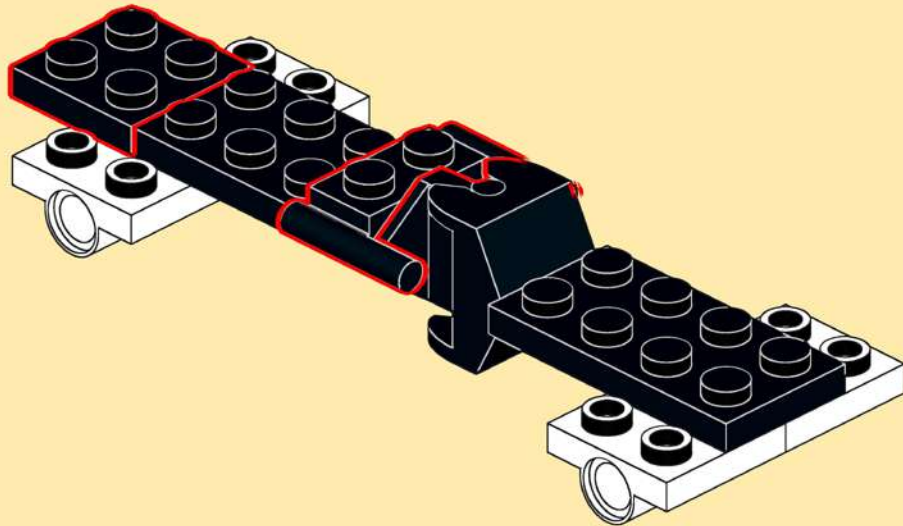
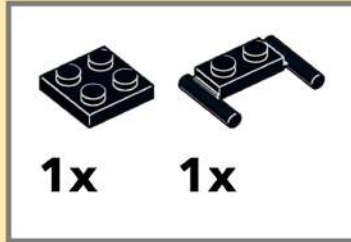
1



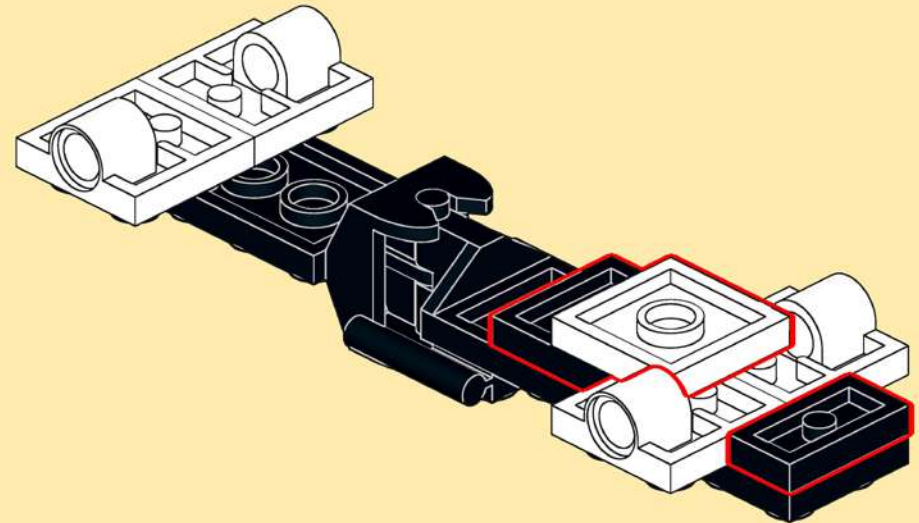
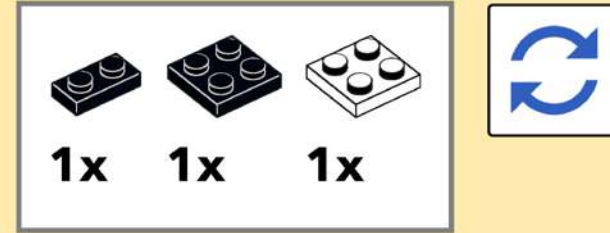
2



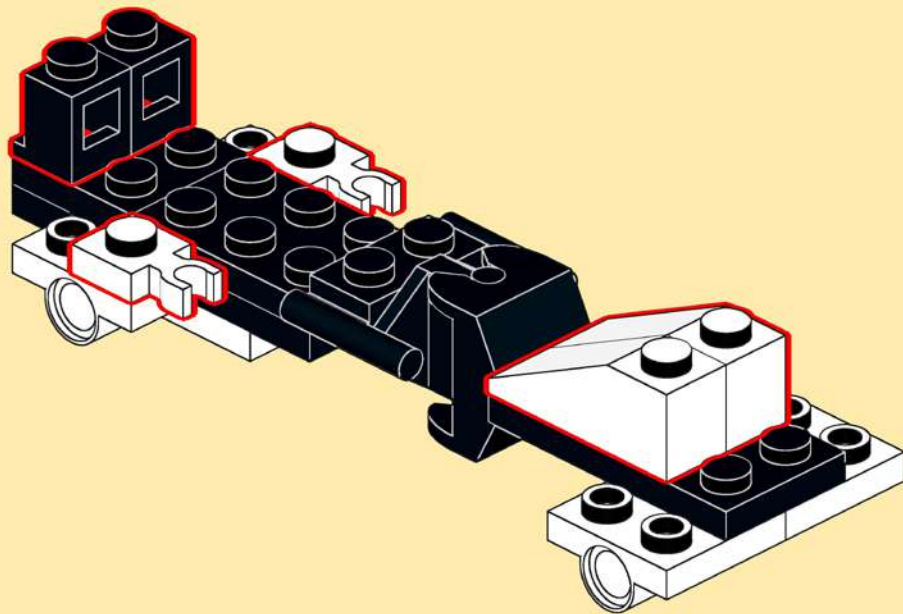
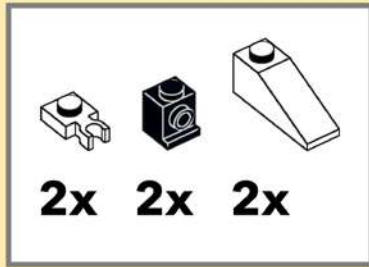
3



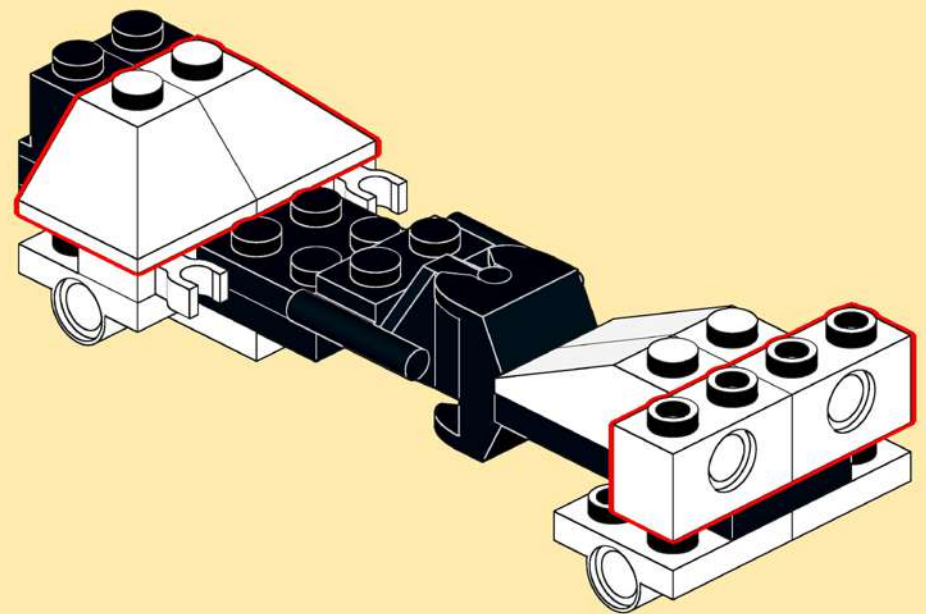
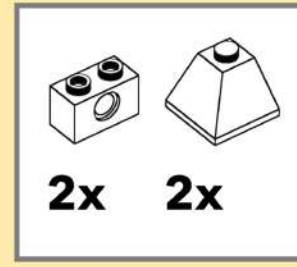
4



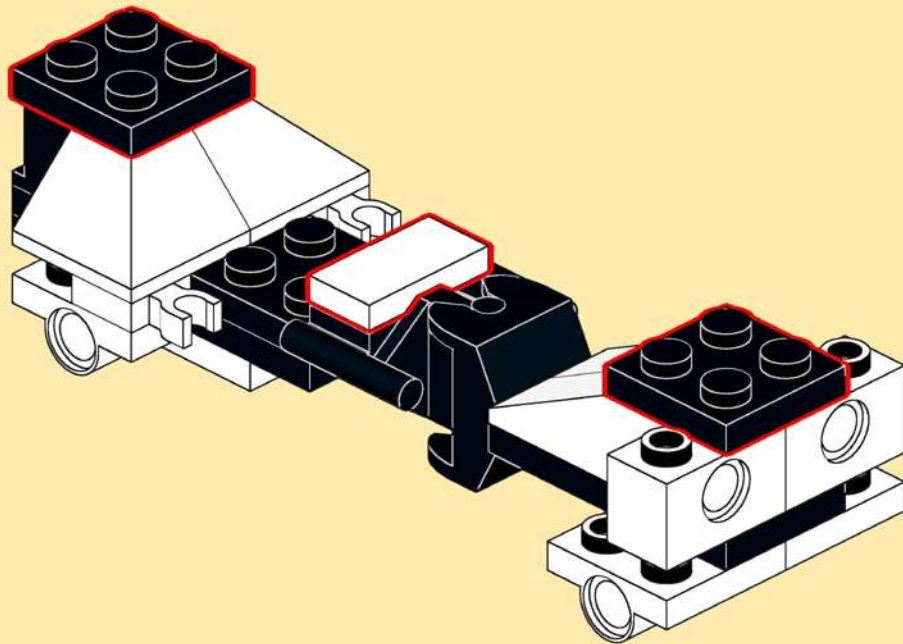
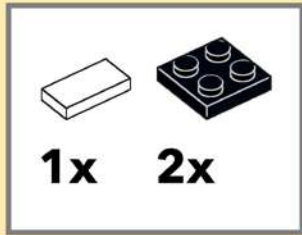
5



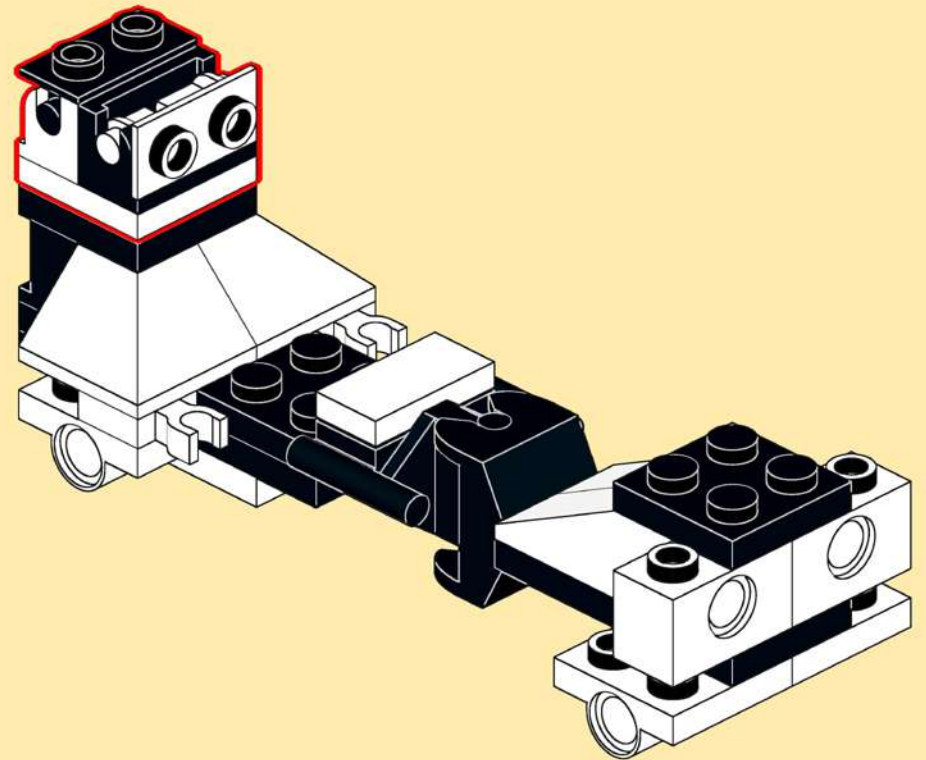
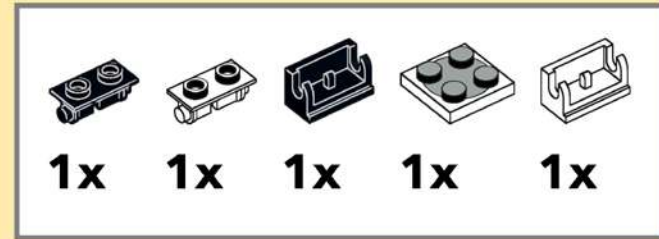
6



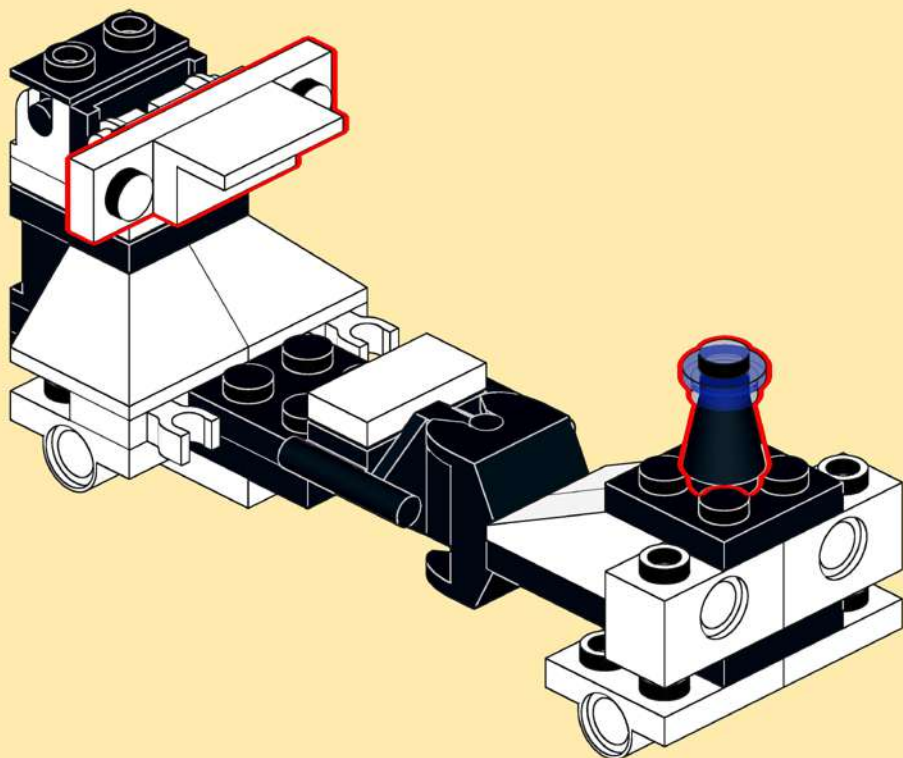
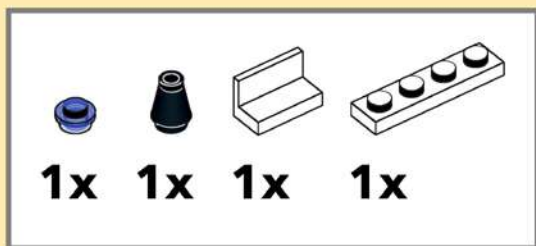
7



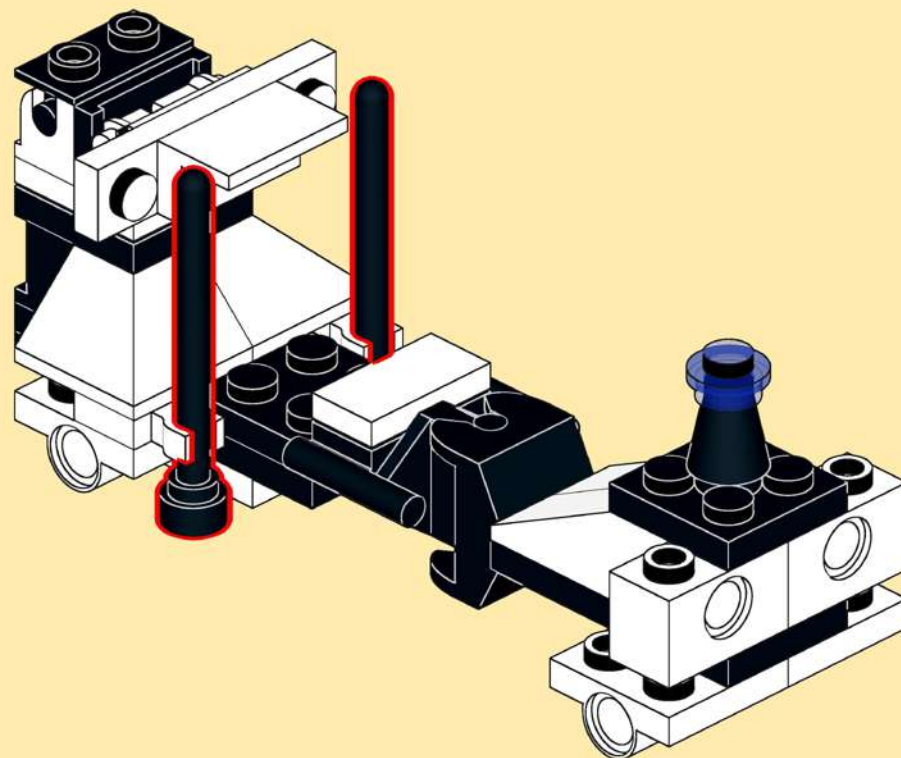
8



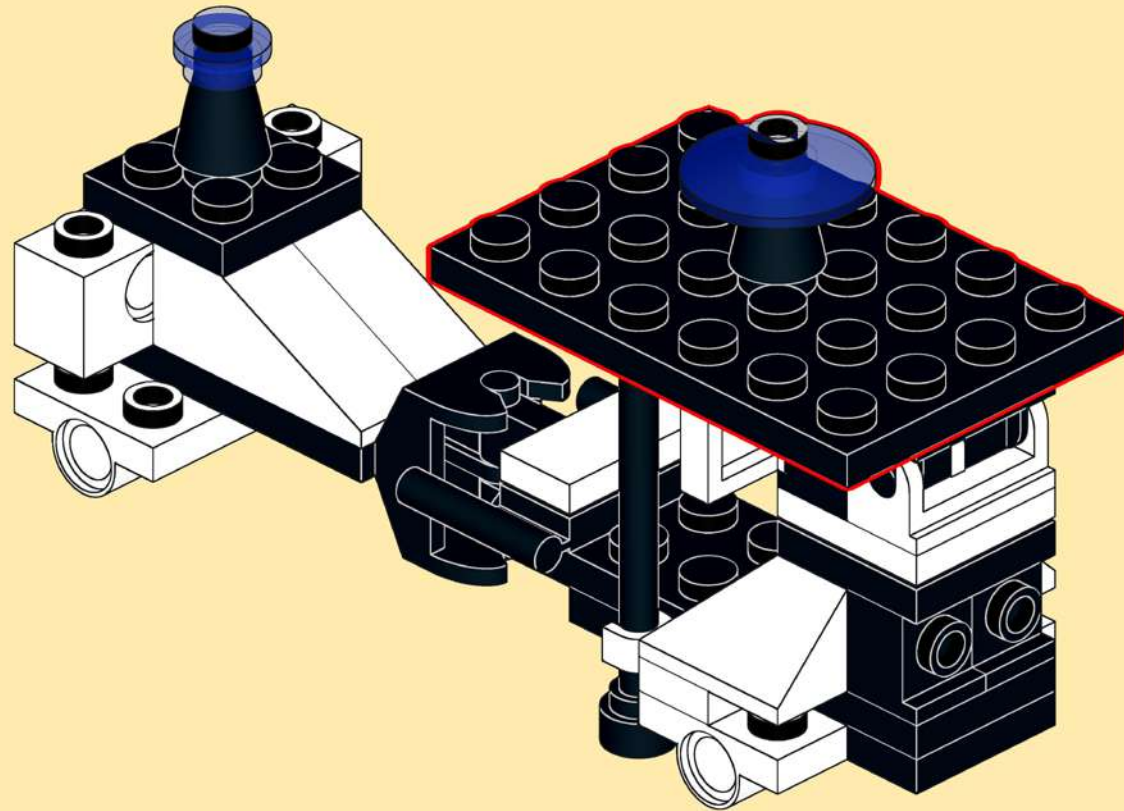
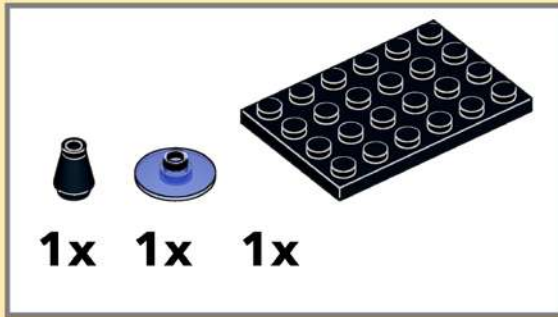
9



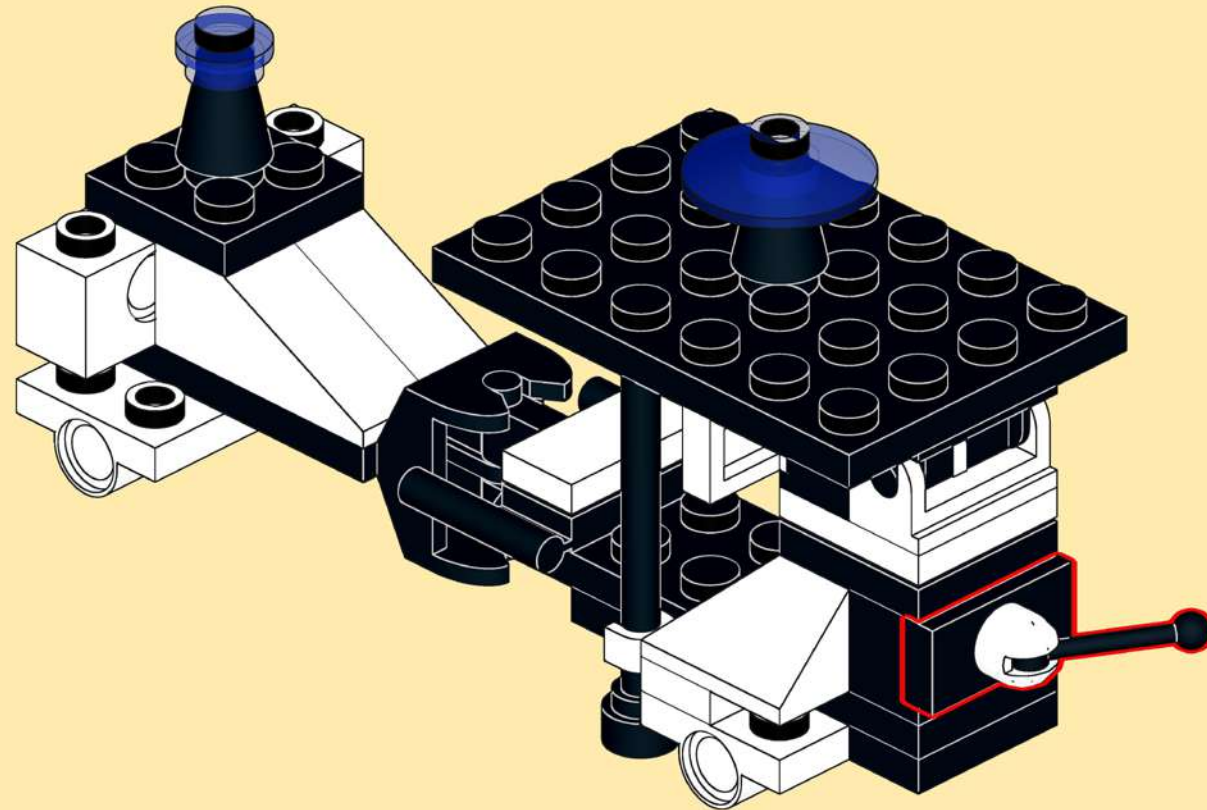
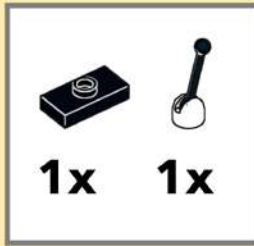
10



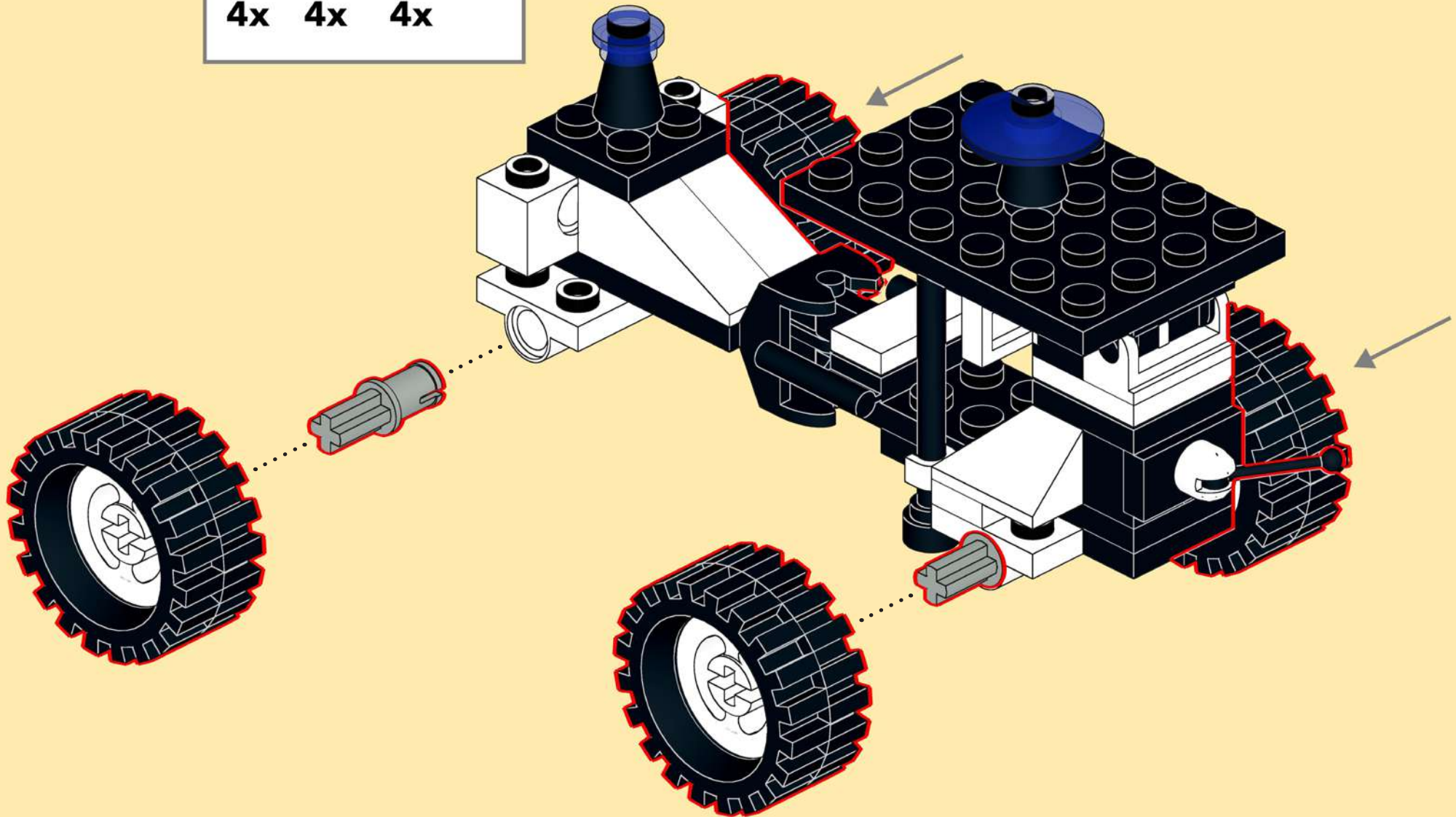
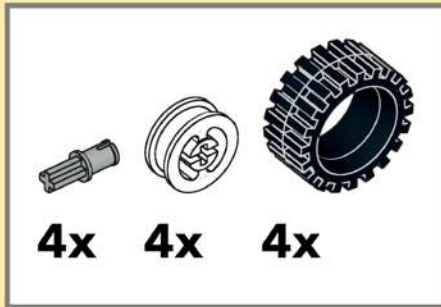
11



12



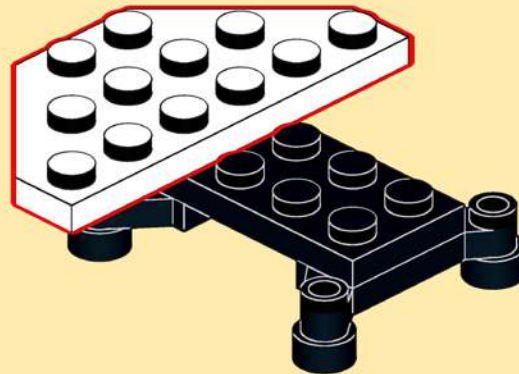
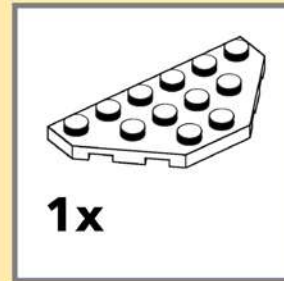
13



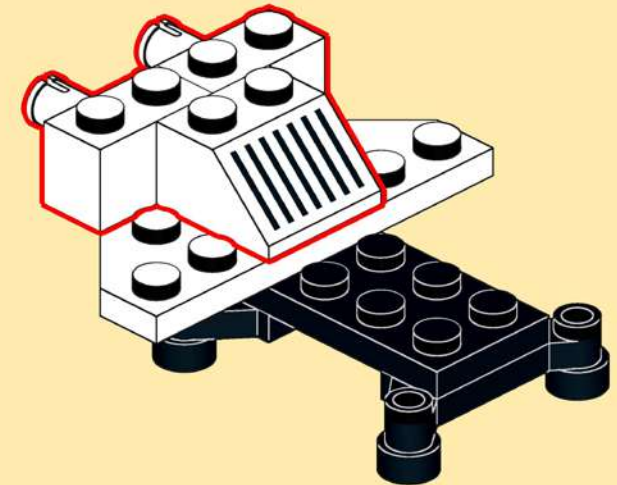
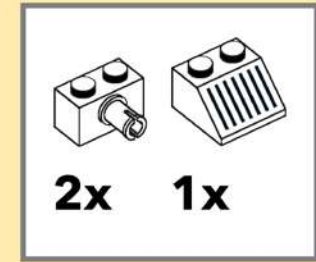
14



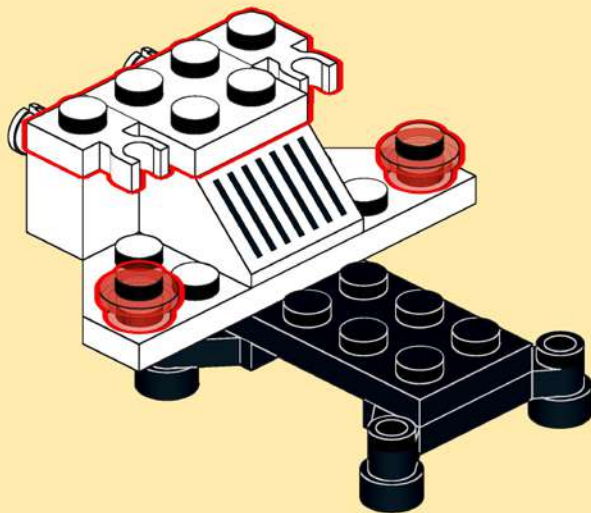
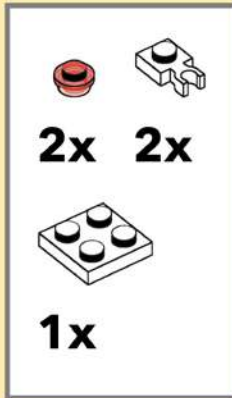
15



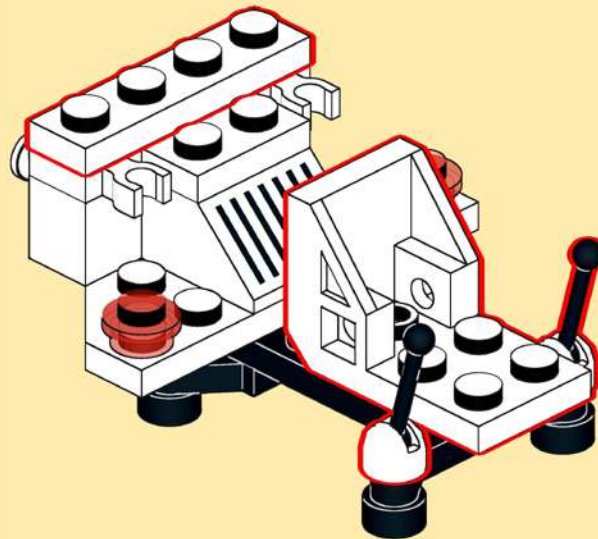
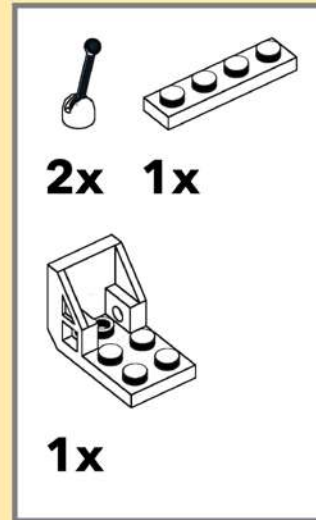
16



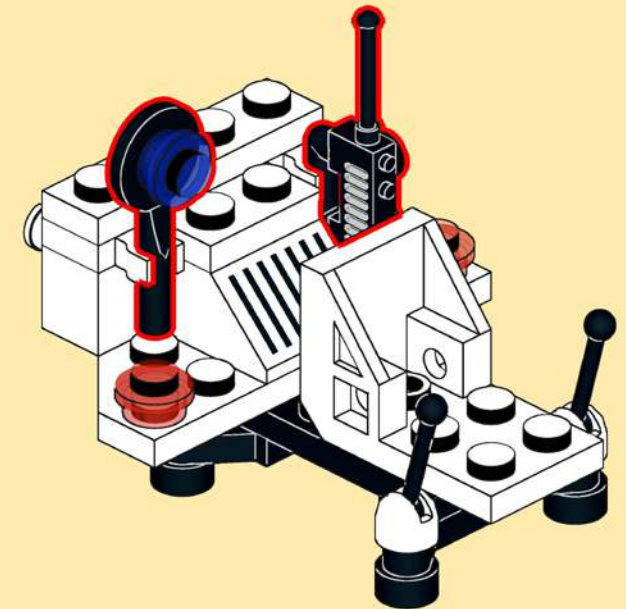
17



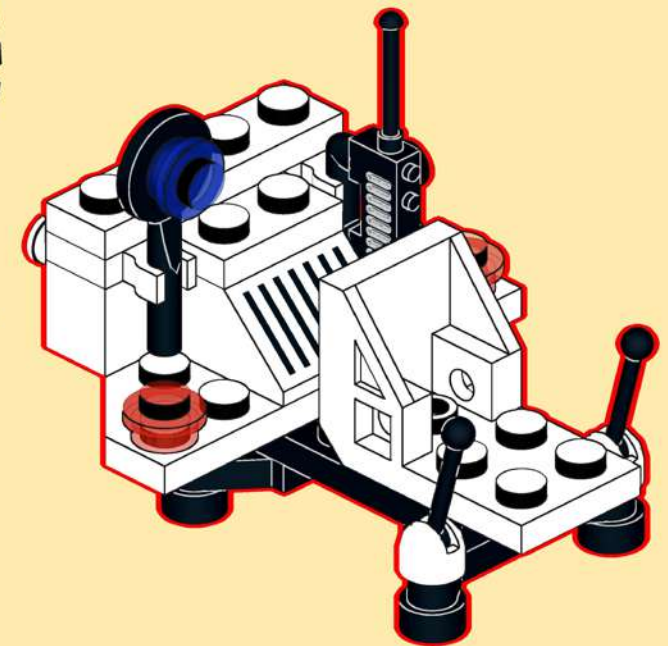
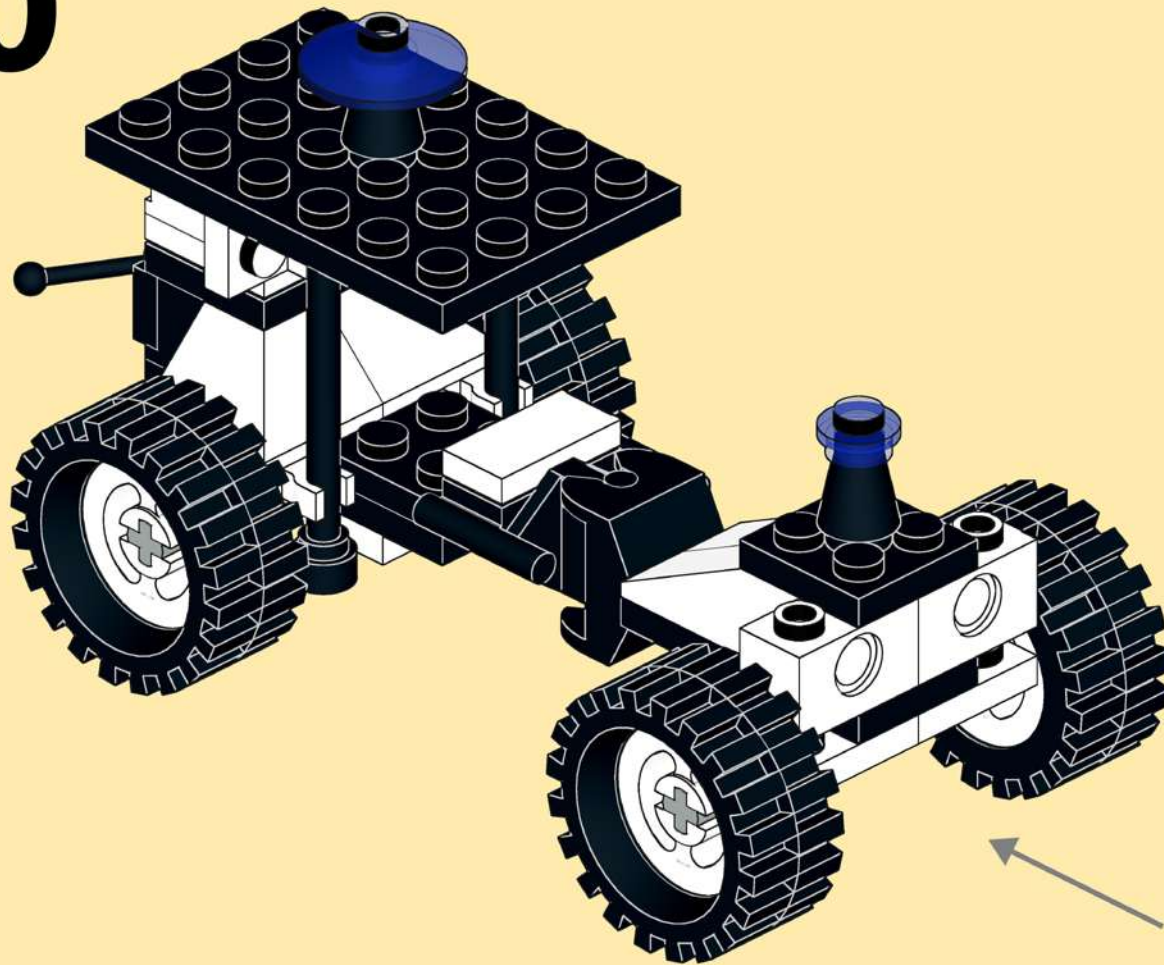
18



19



20



21

