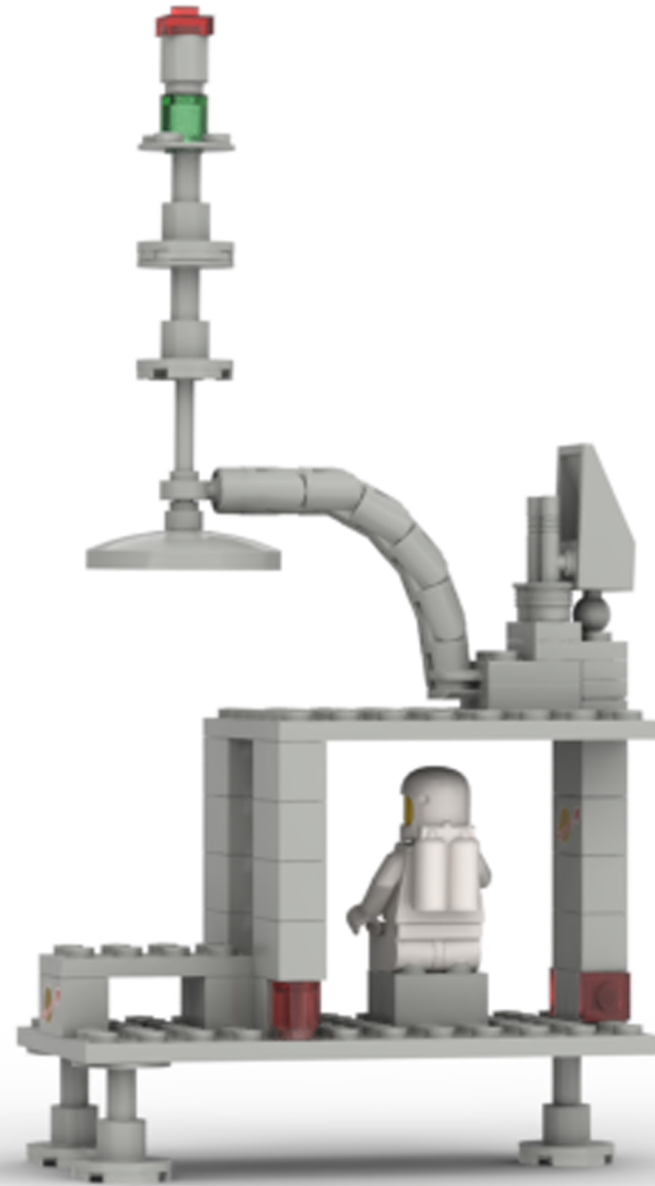
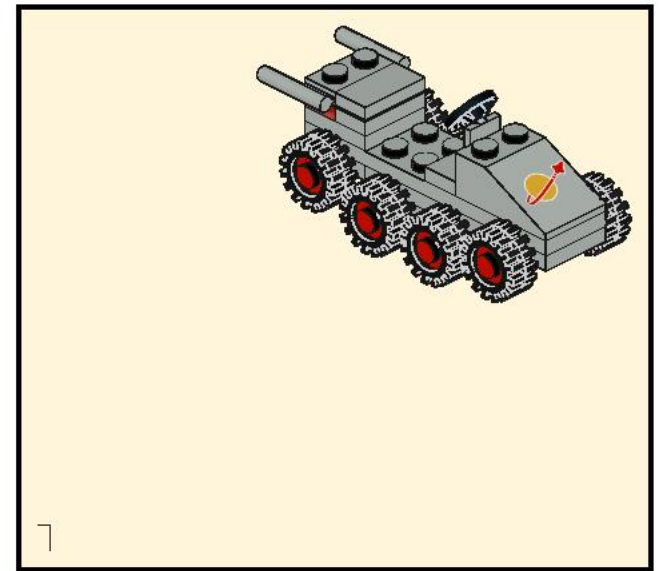
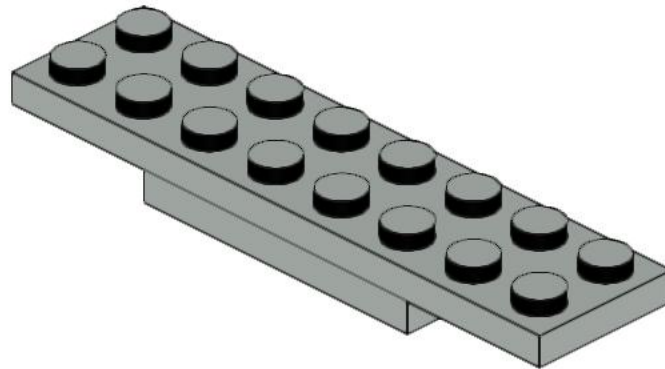
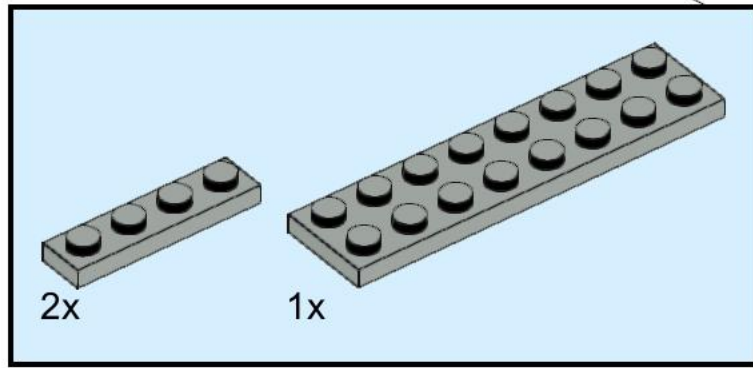


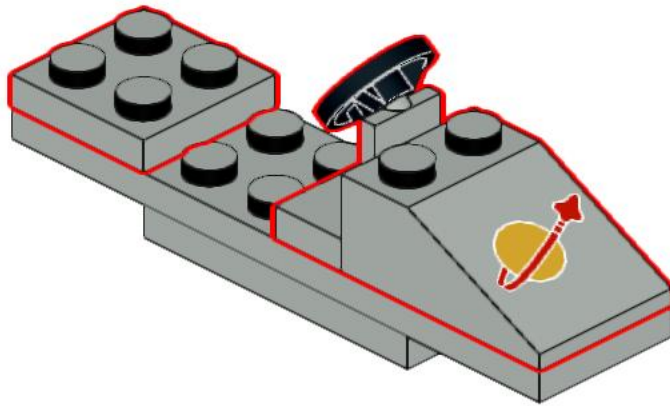
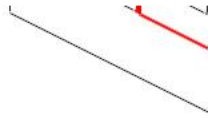
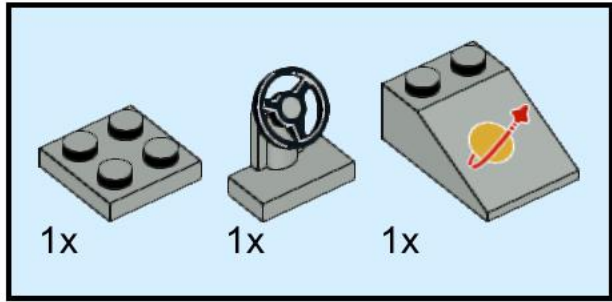
6901 - Back E



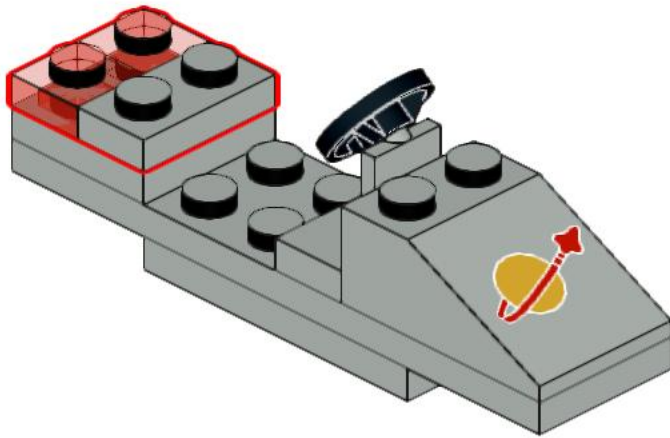
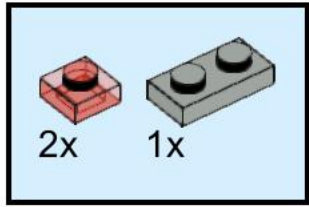
1



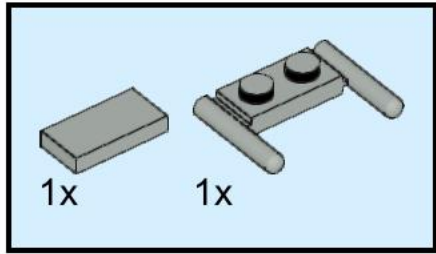
2



3

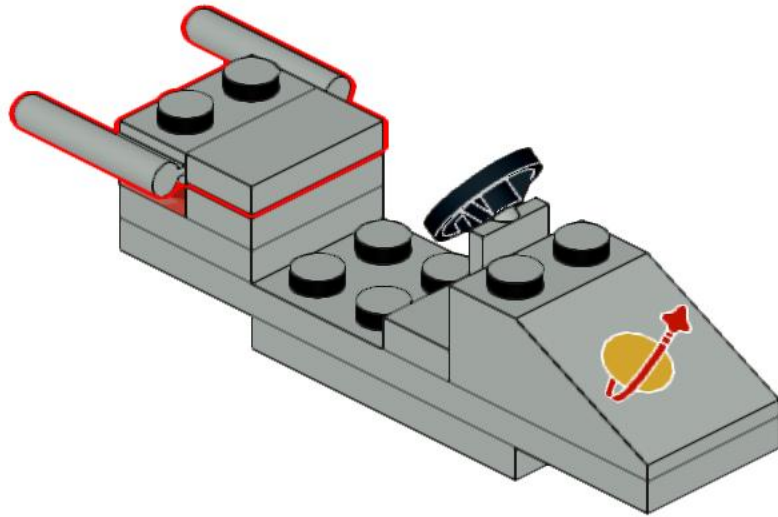


4

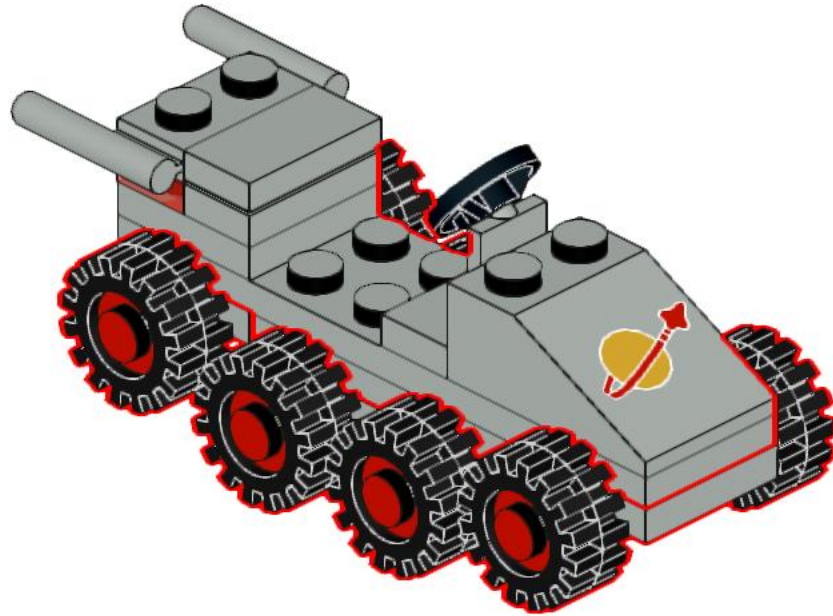
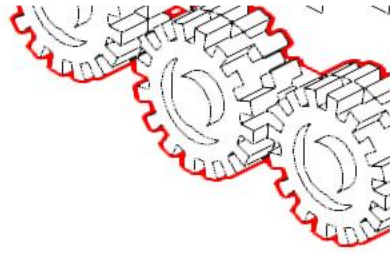
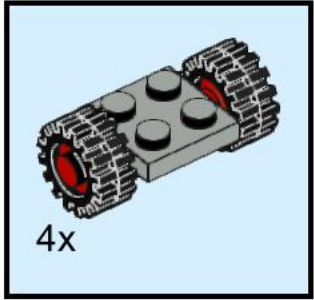


2 2

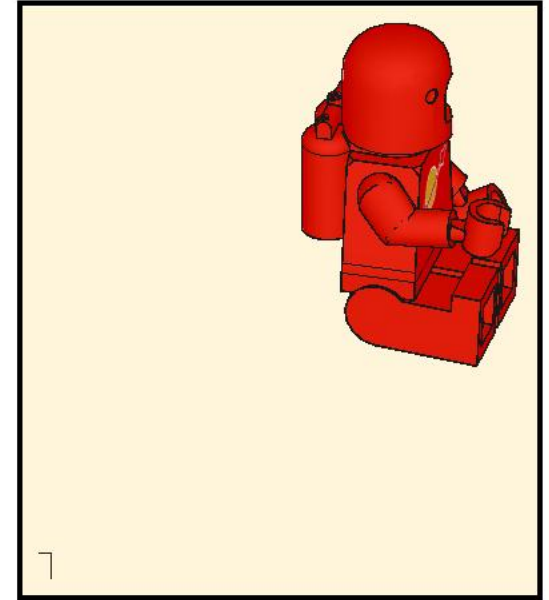
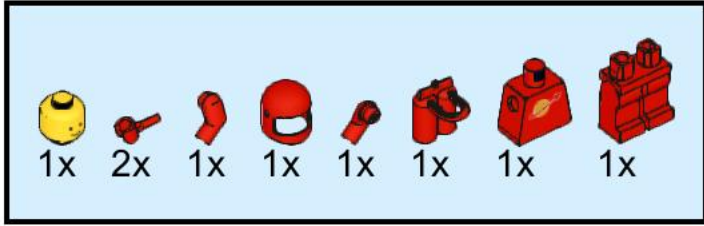
Two thin lines with the number '2' above them, indicating the quantity of parts to be added.



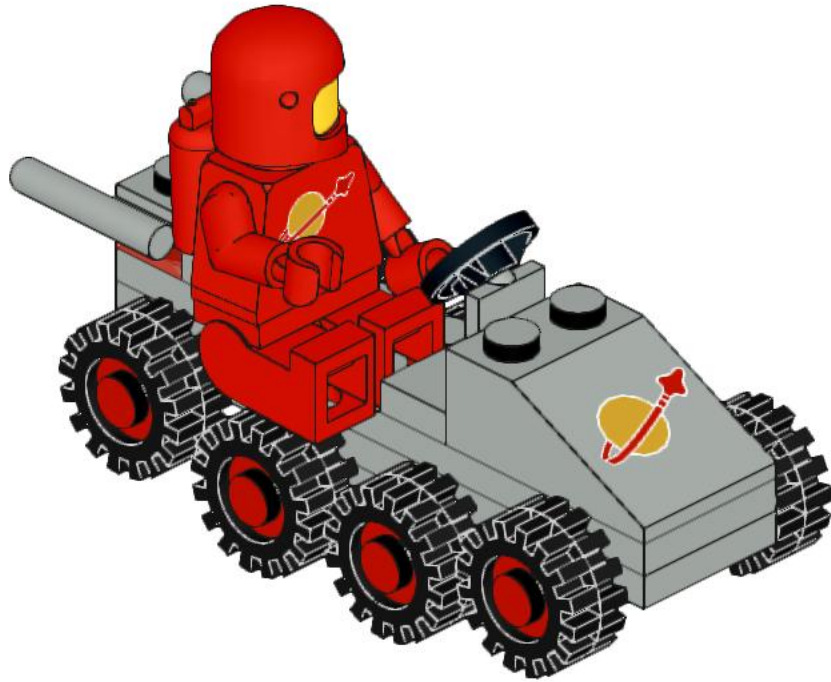
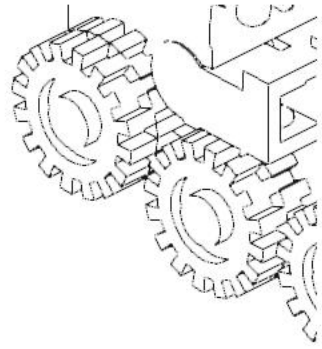
5



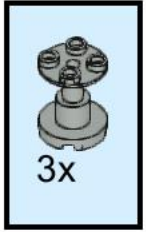
6



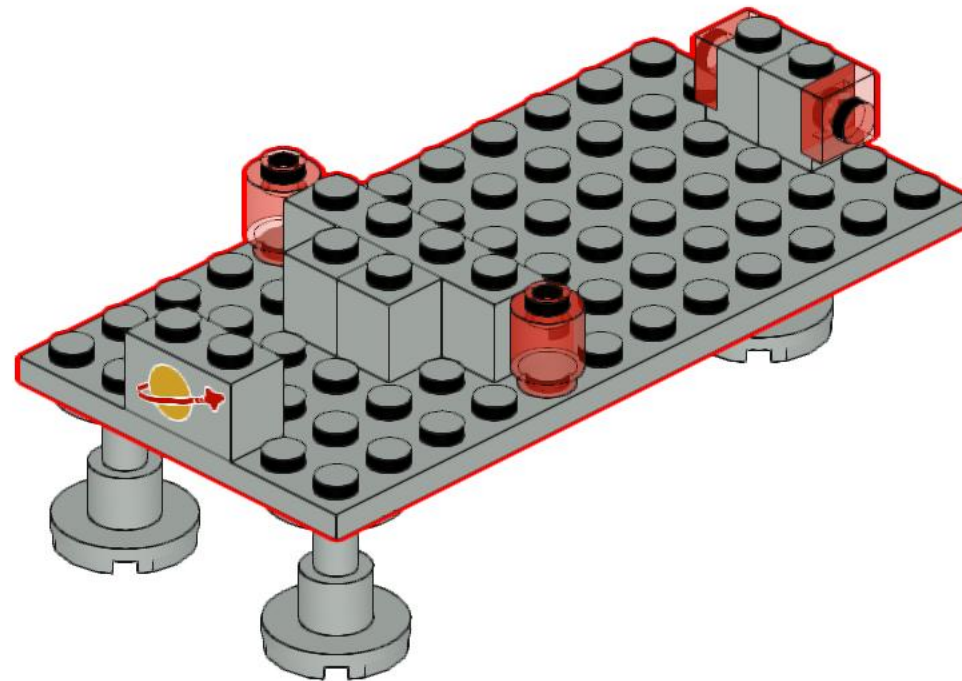
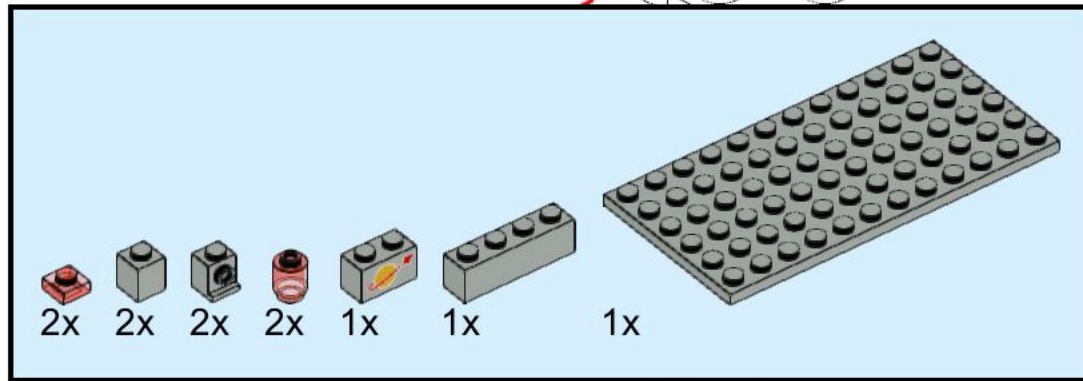
7



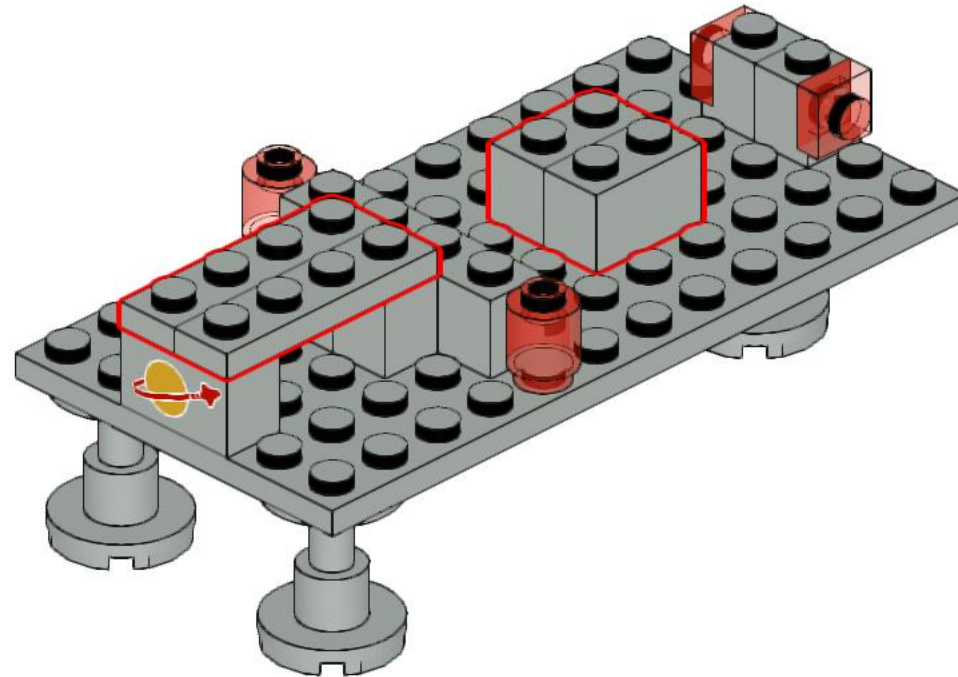
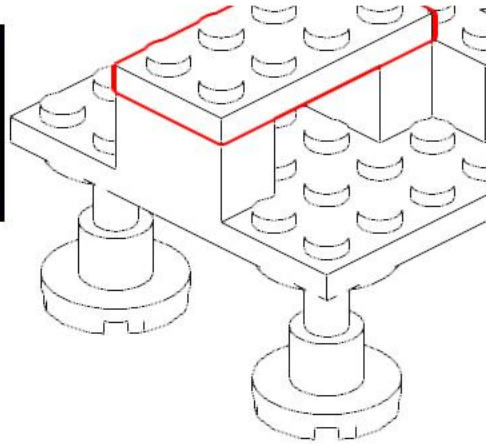
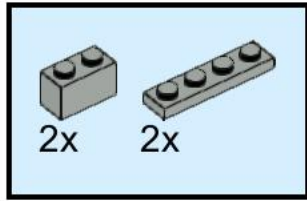
8



9

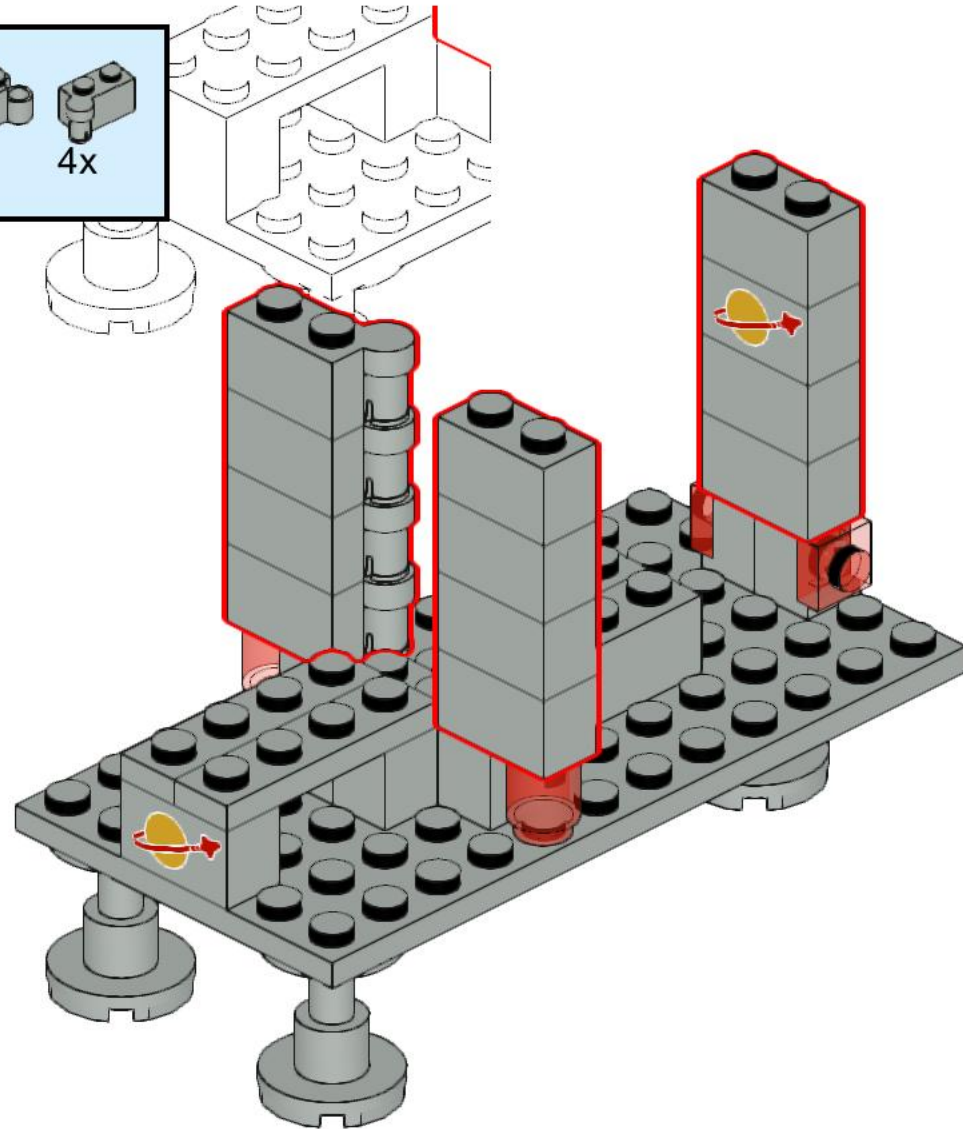
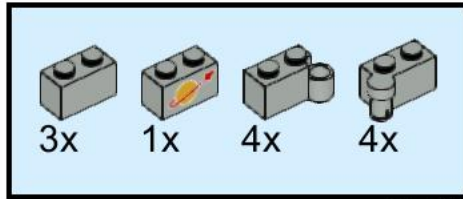


10

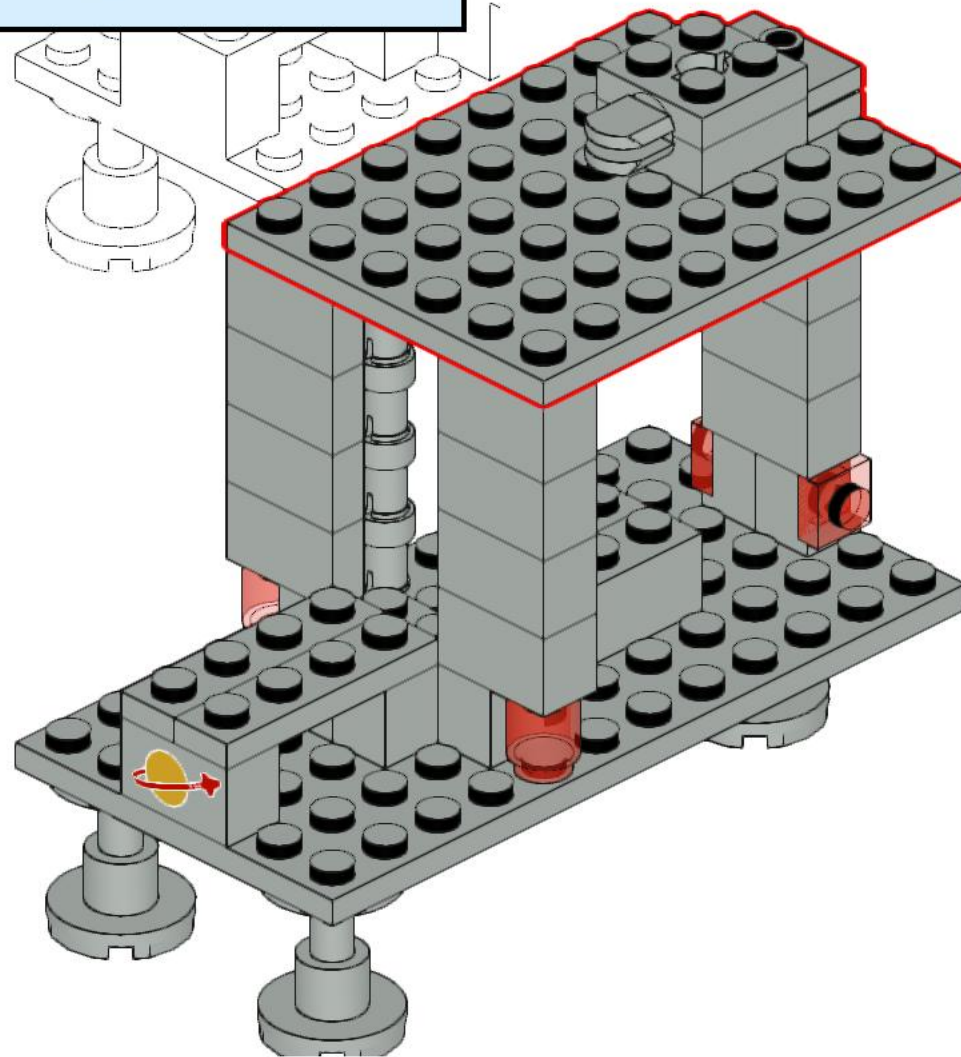
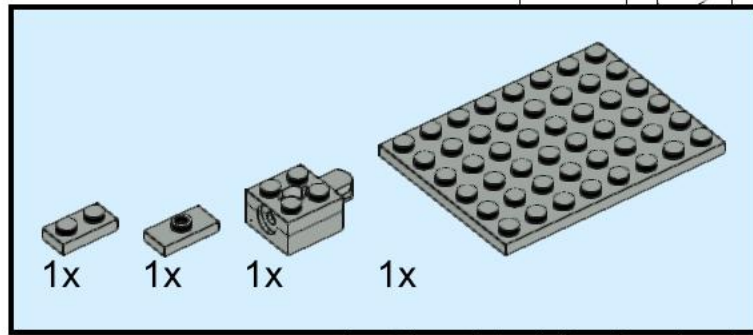


11

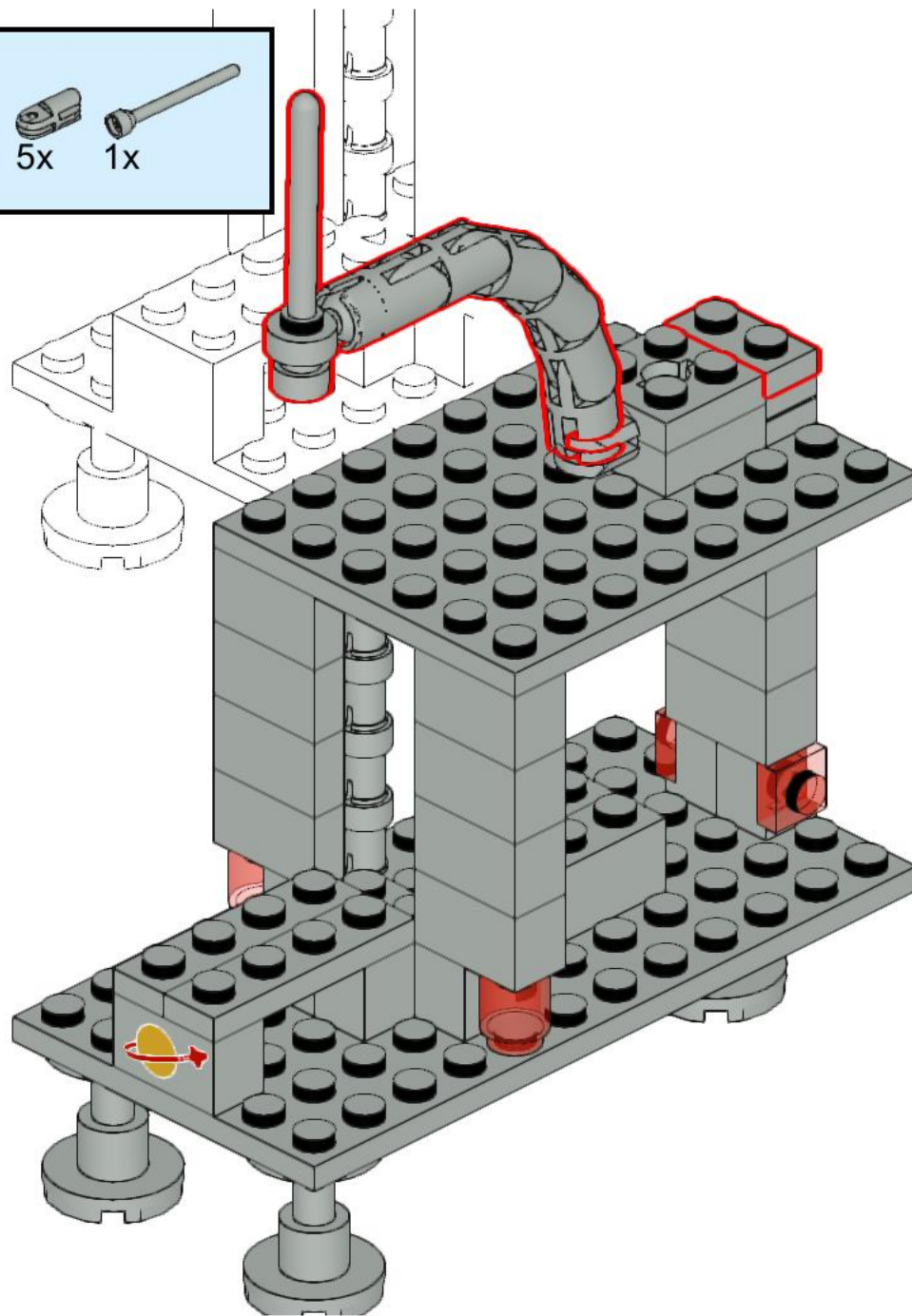
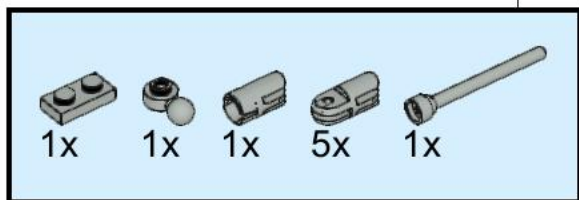
3x 1x 4x 4x



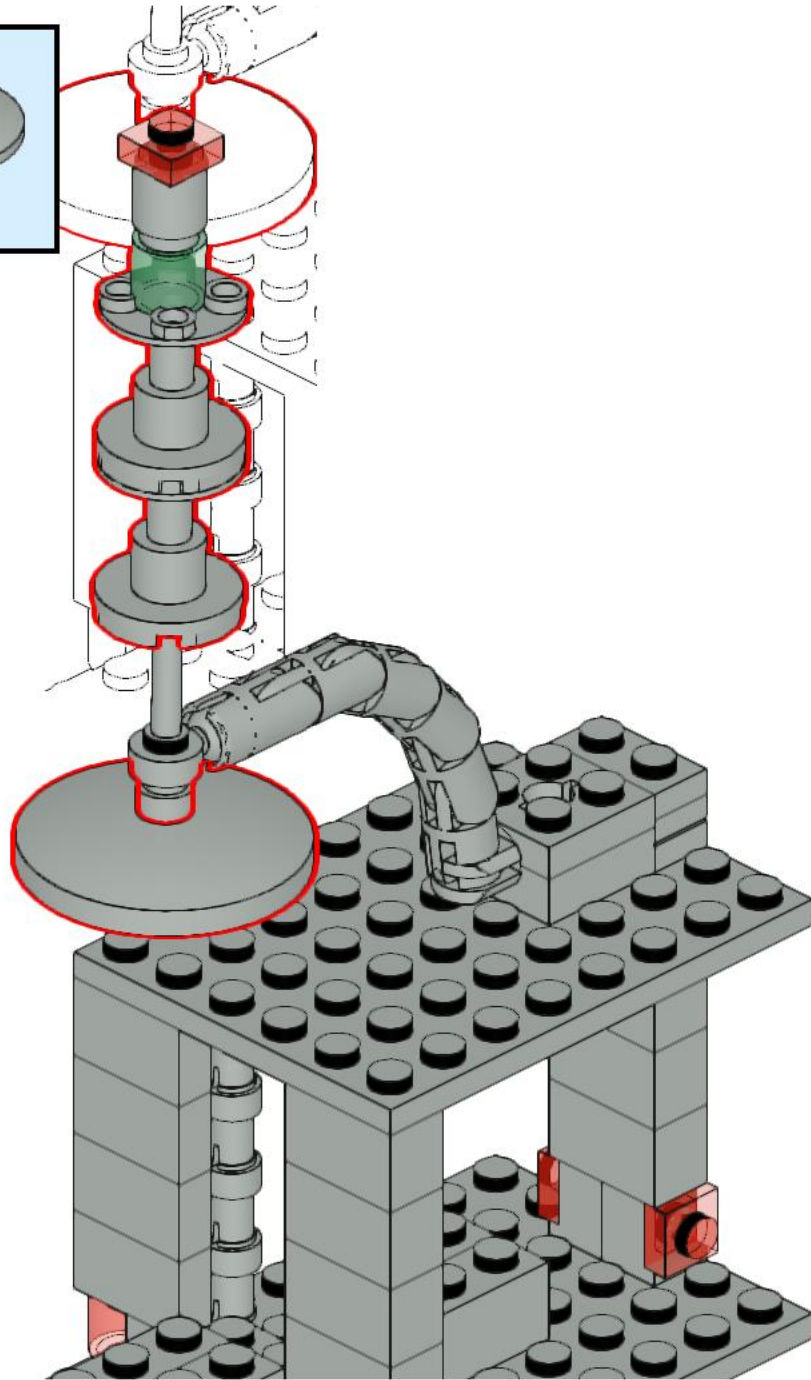
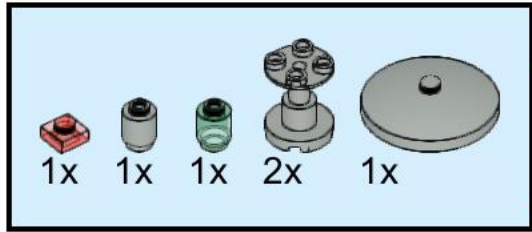
12



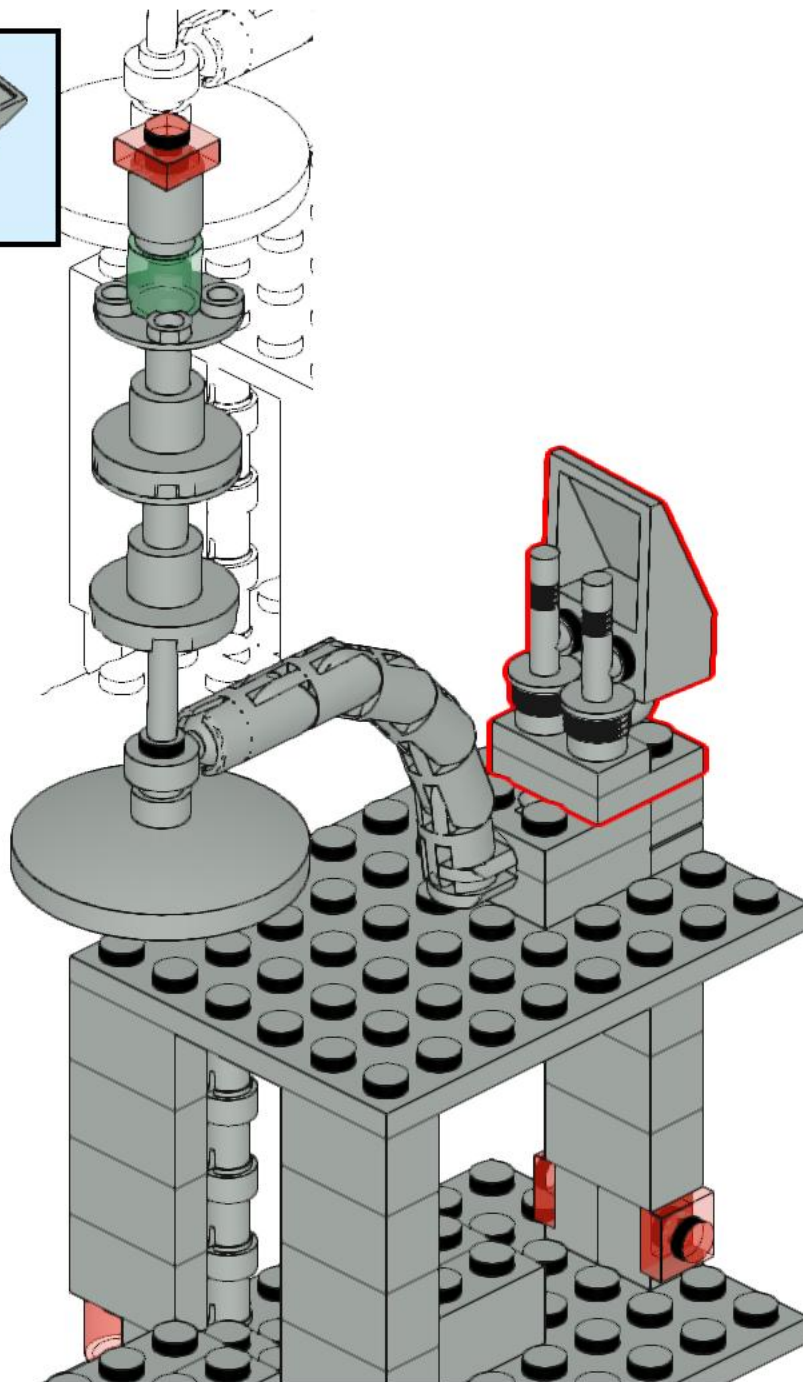
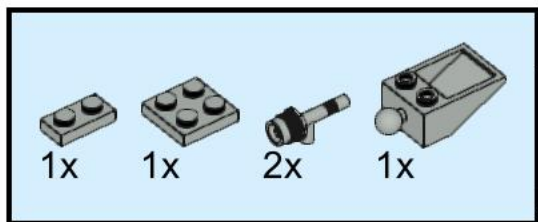
13



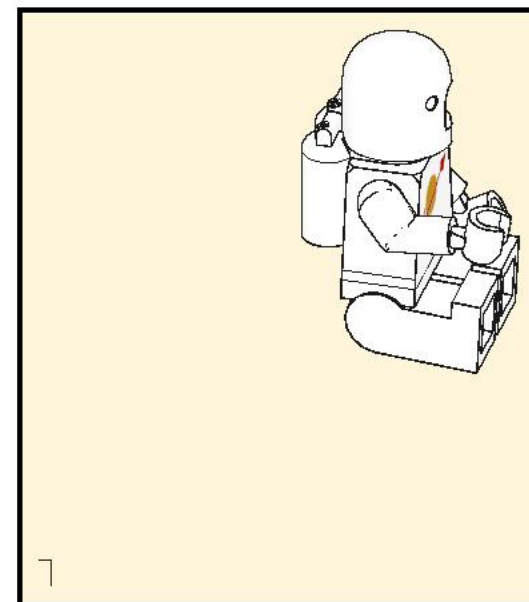
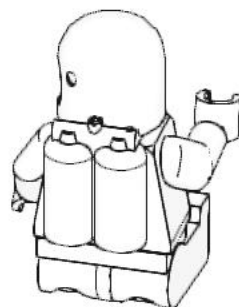
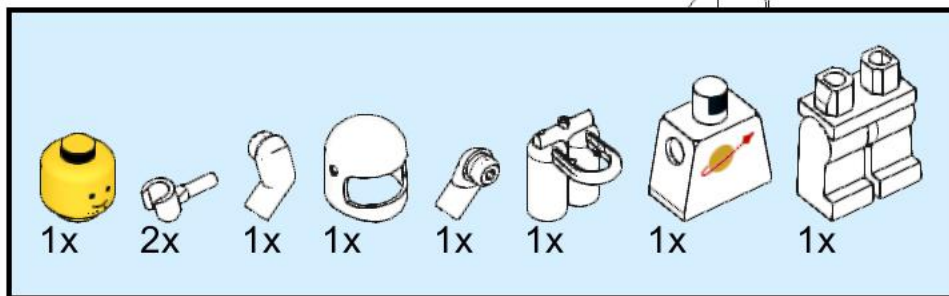
14



15



16



17

