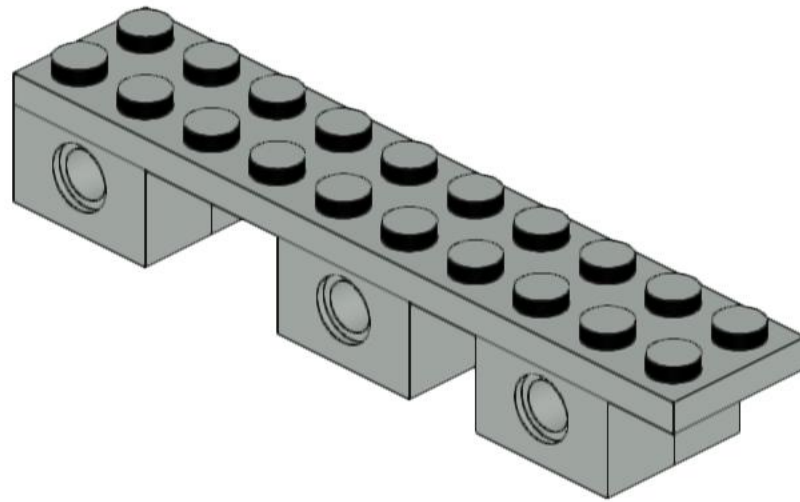
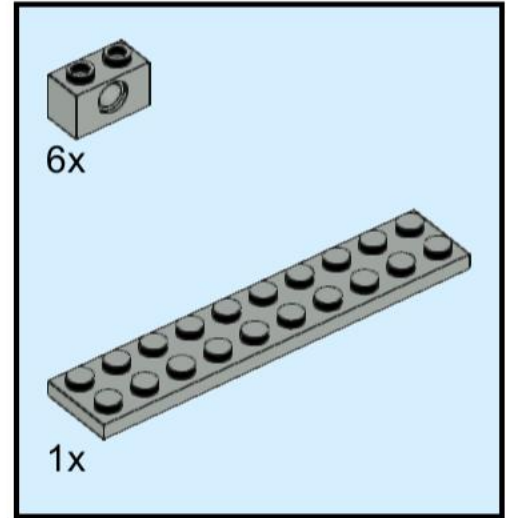
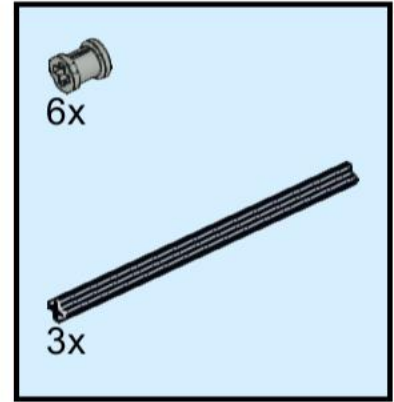
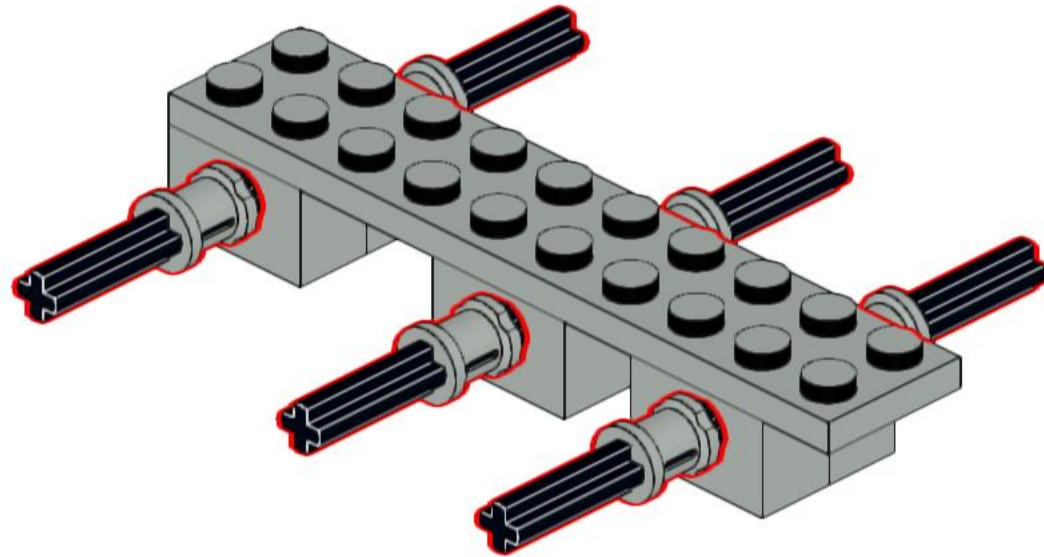


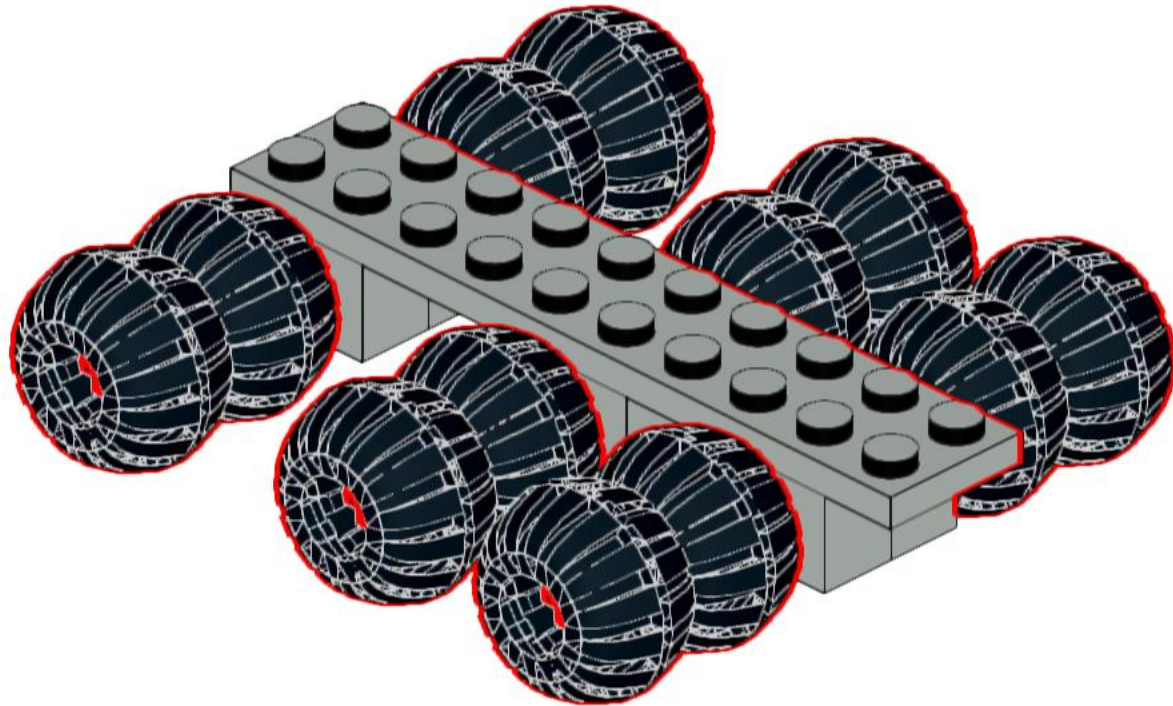
1



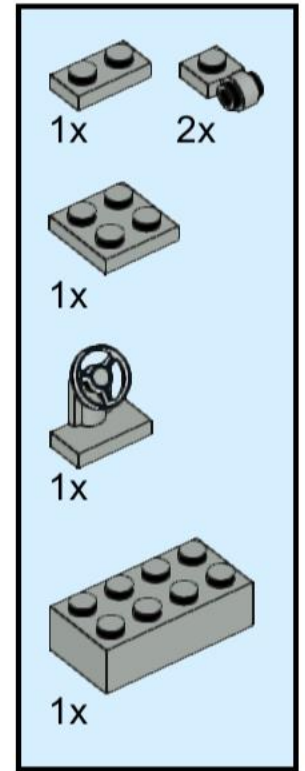
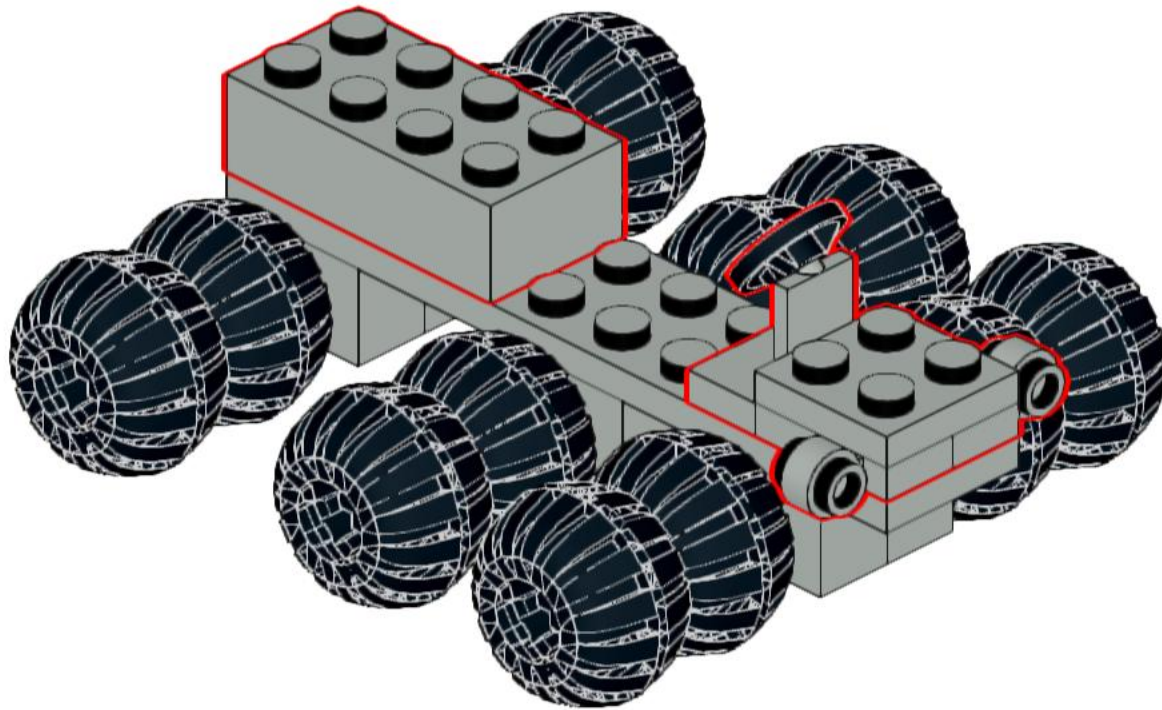
2



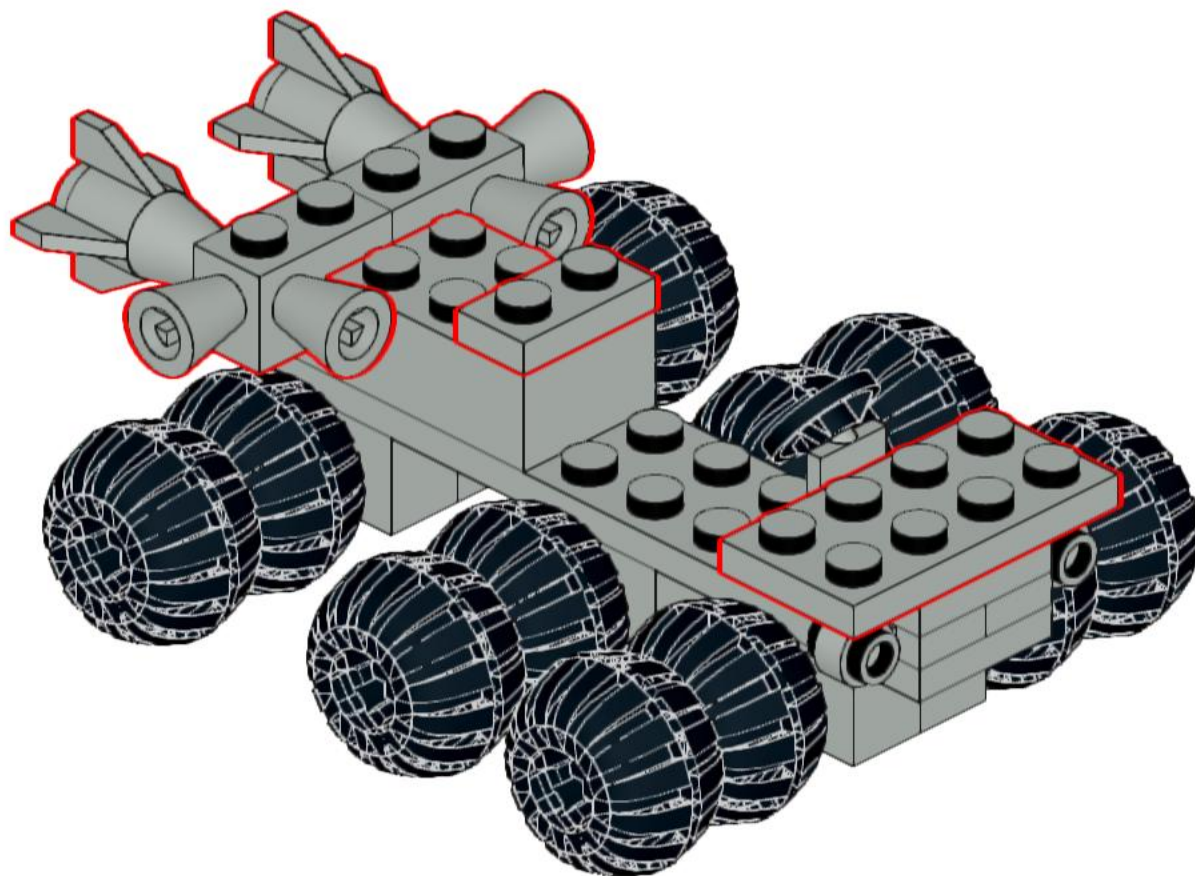
3



4



# 5

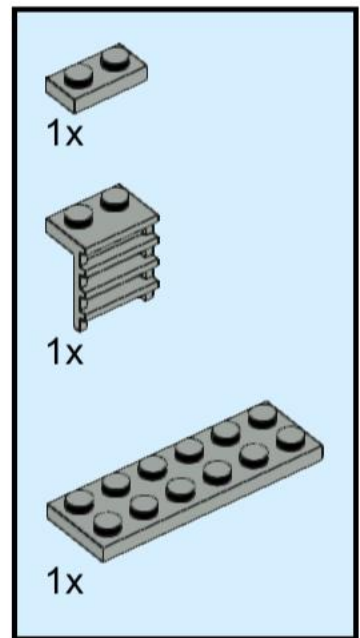
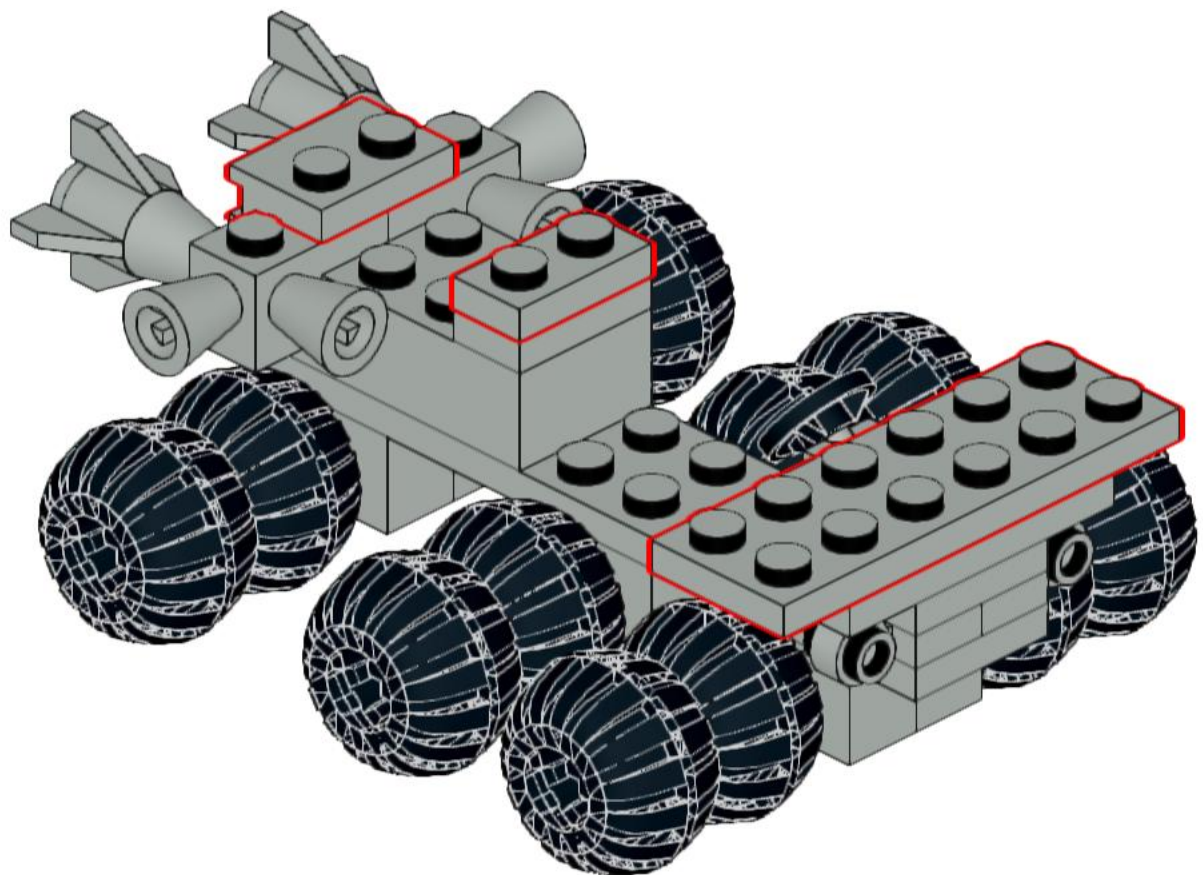


1x  
1x  
1x  
2x

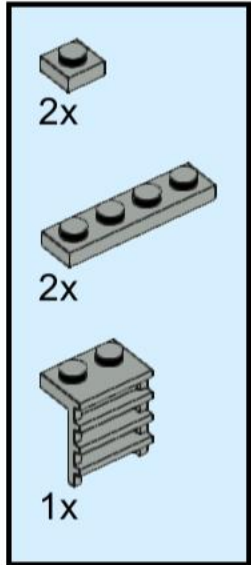
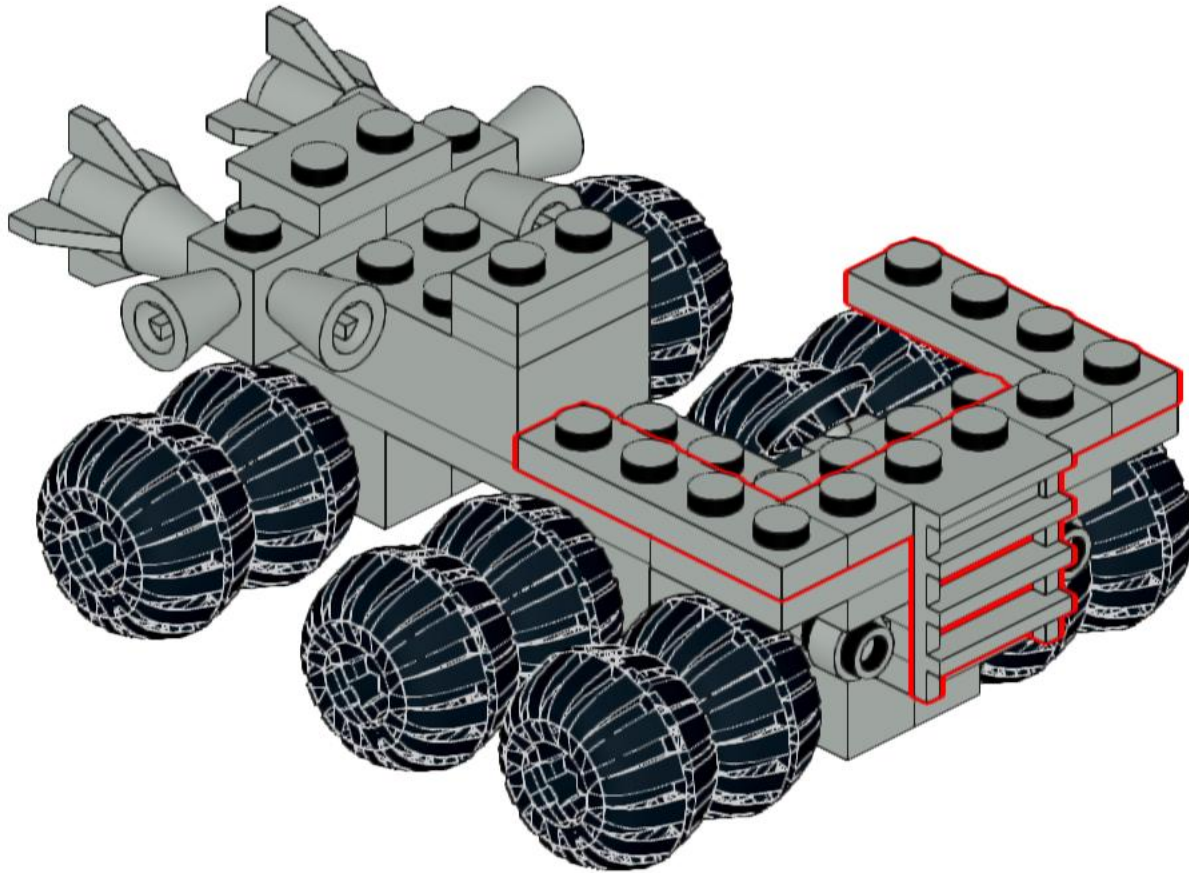
A vertical list of parts to be added in this step, each with a quantity. The parts are: a 1x3 Technic brick, a grey Technic axle with a bush, a 1x6 Technic brick, and a grey Technic axle with two bushings.



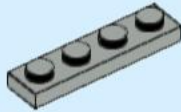
# 6




7



2x

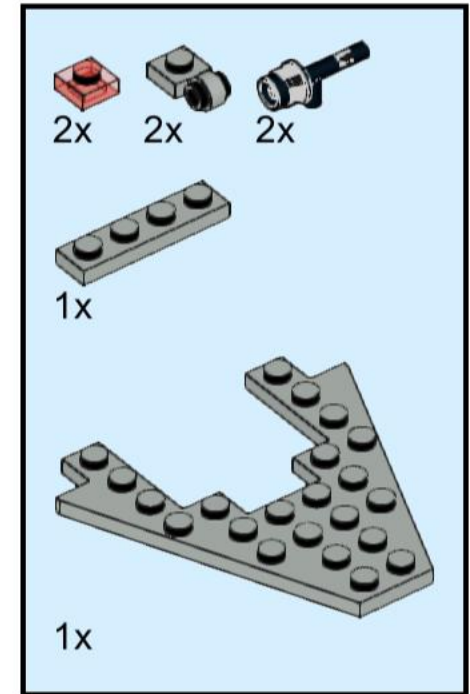
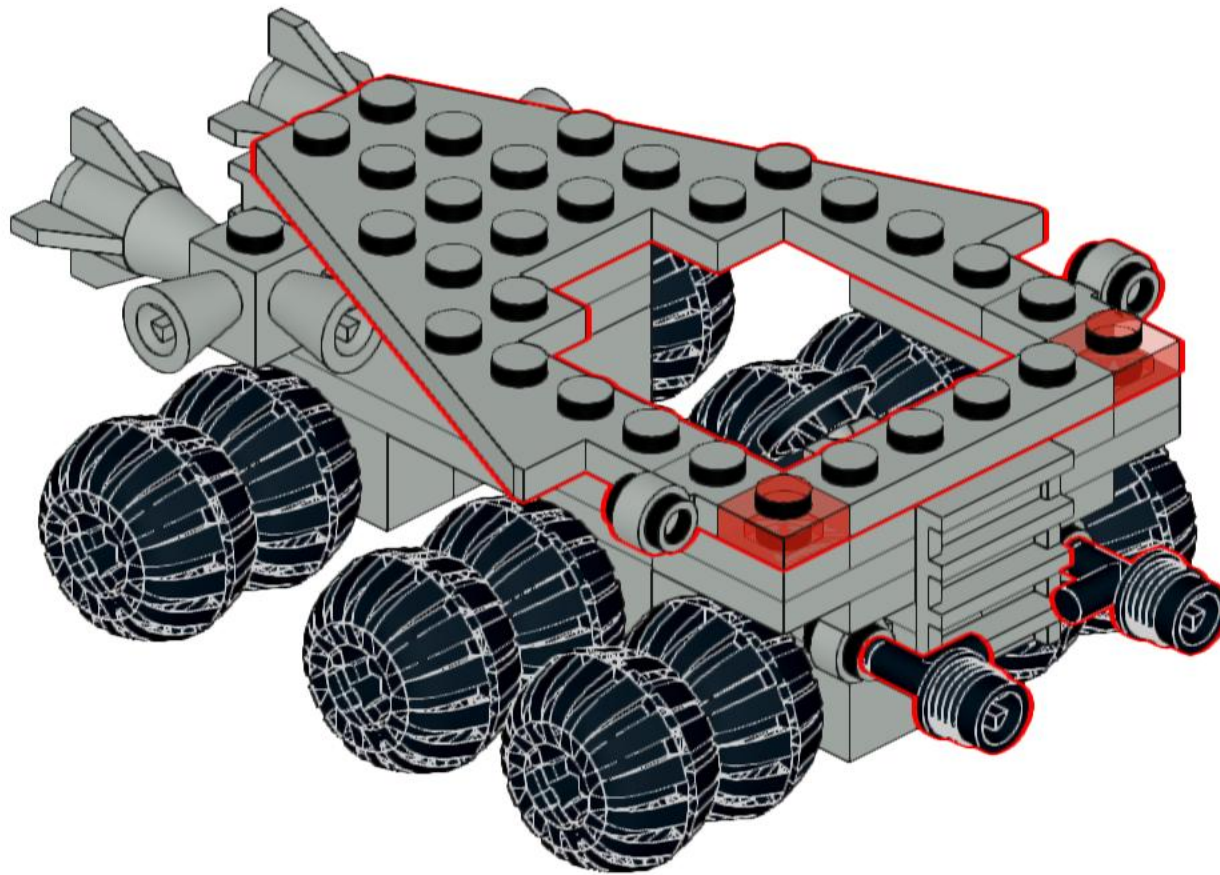


2x



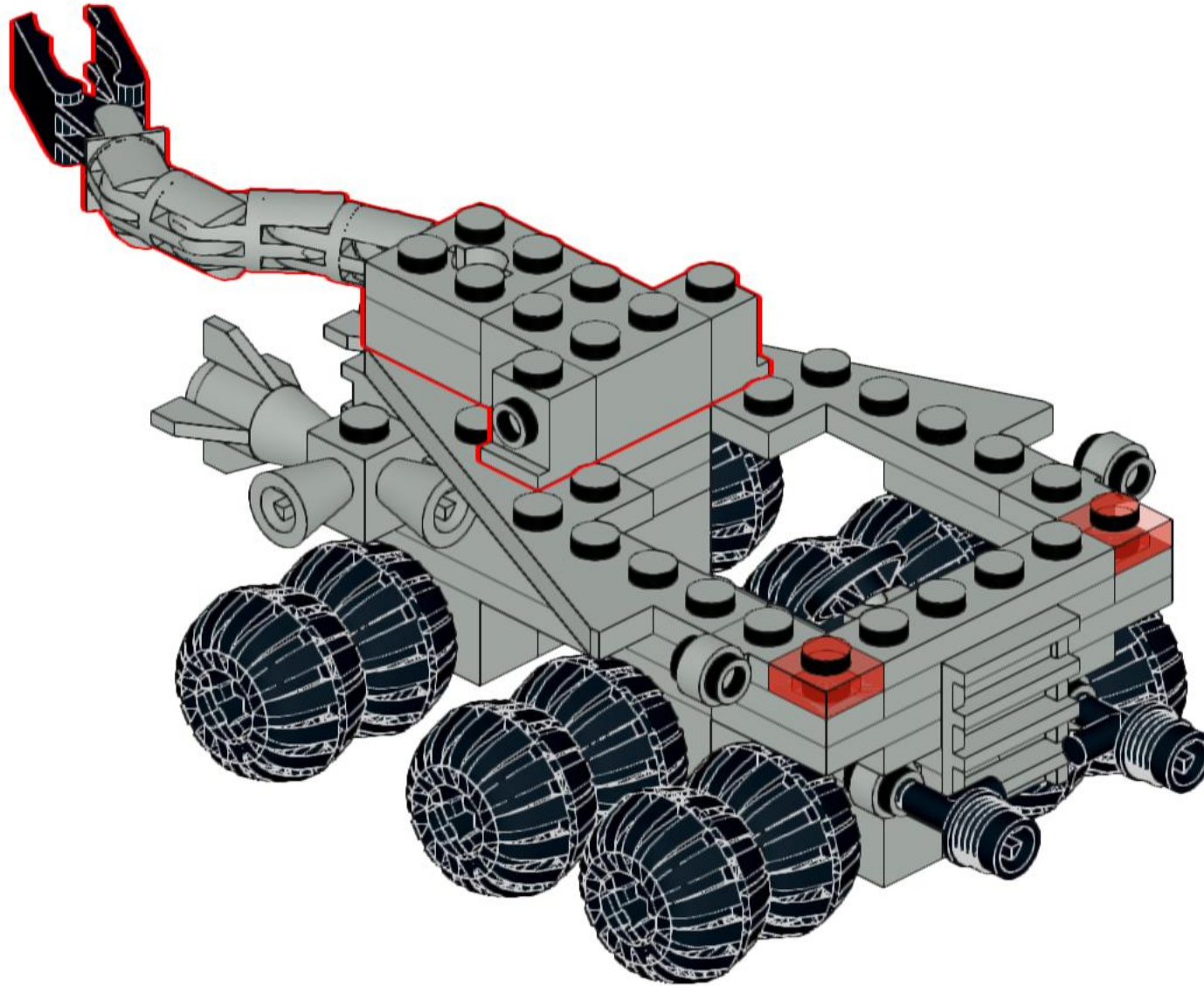
1x

8

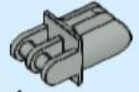




9



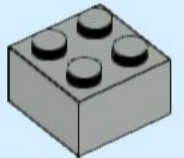
2x



1x



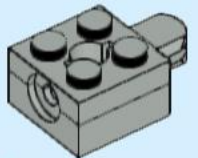
3x



1x

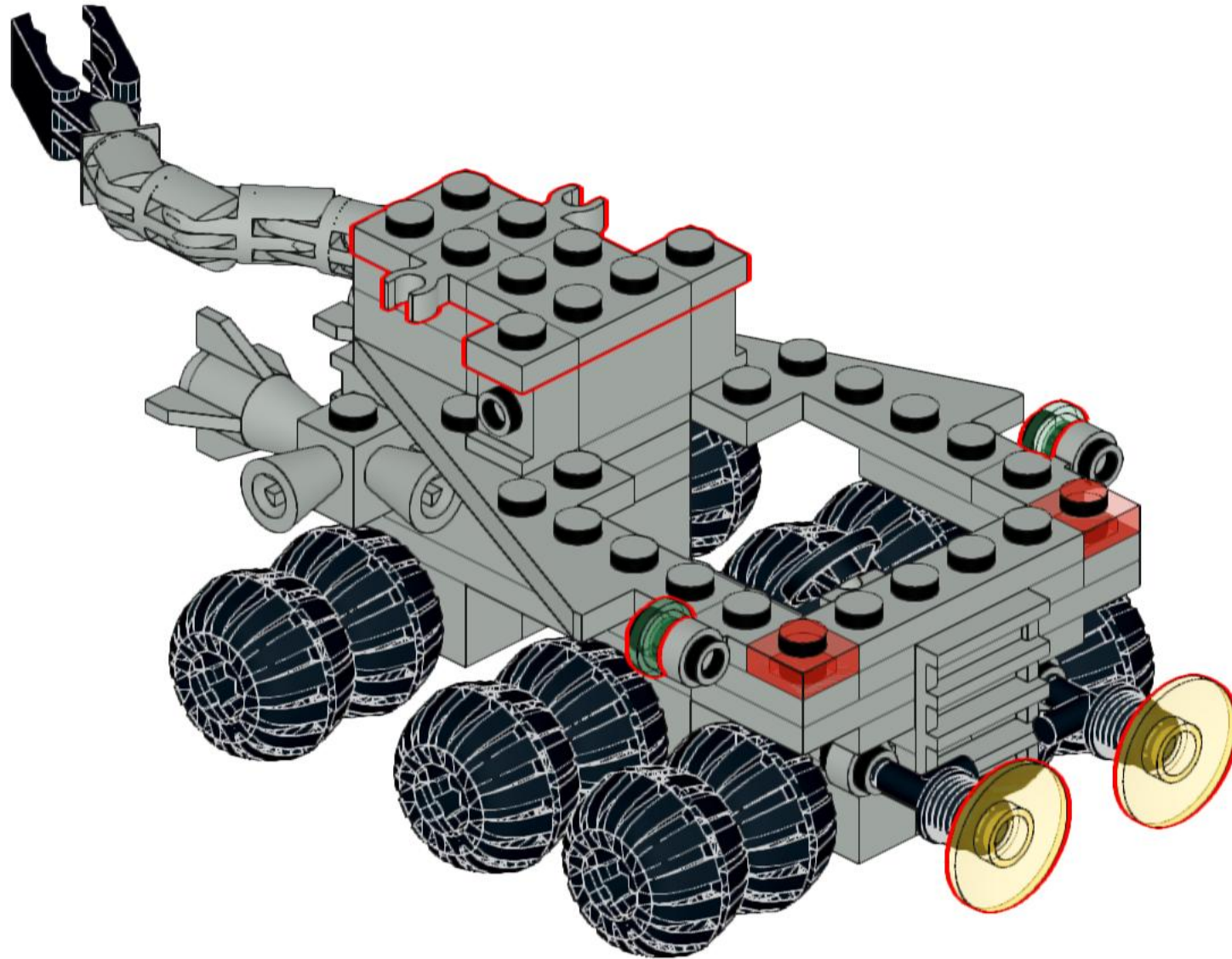


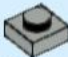



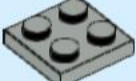

2x



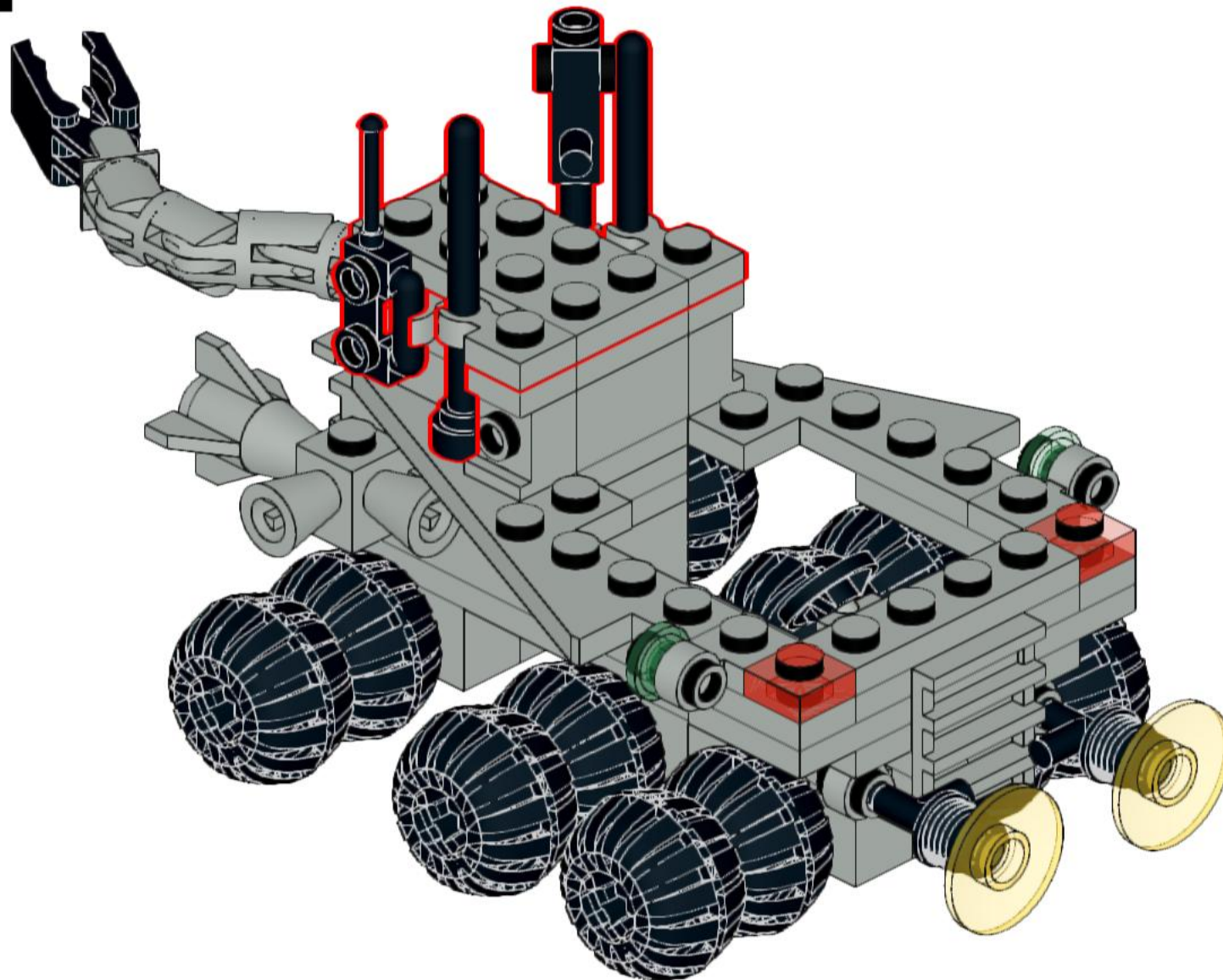
1x

# 10

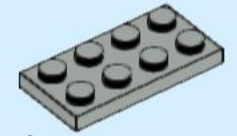


- 2x  2x 
- 2x 
- 1x 
- 1x 
- 2x 

# 11



2x



1x



1x



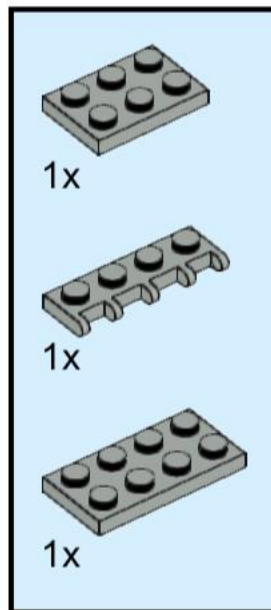
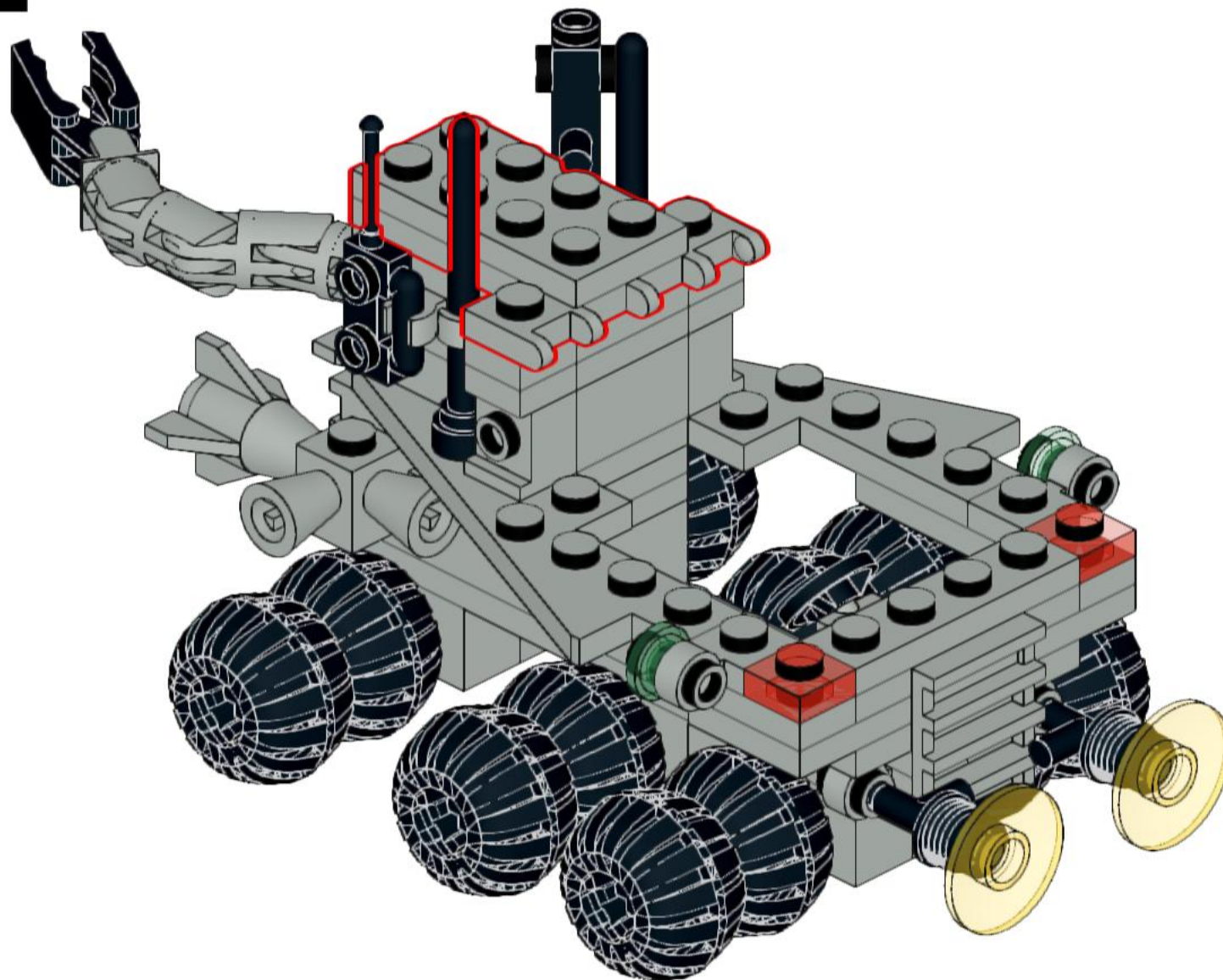
2x



1x



# 12





# 13

