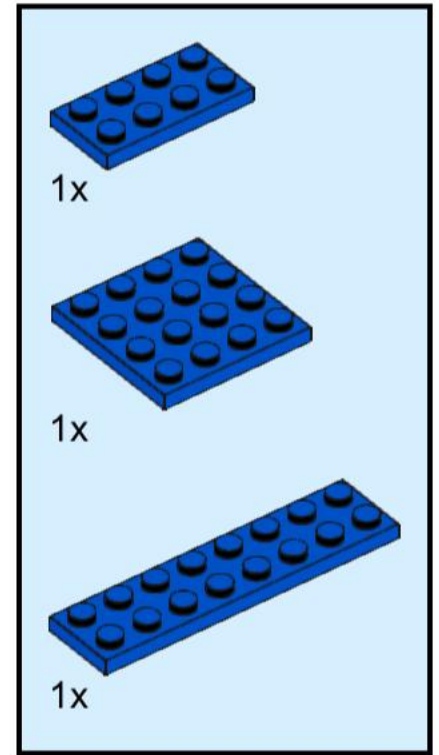
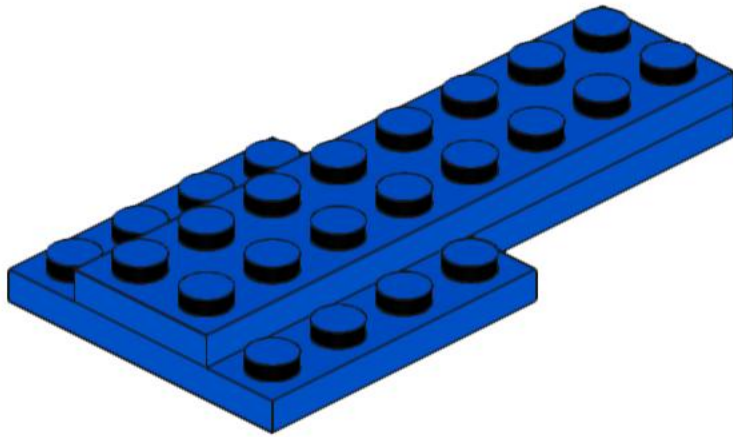
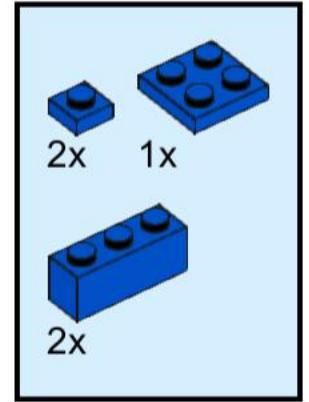
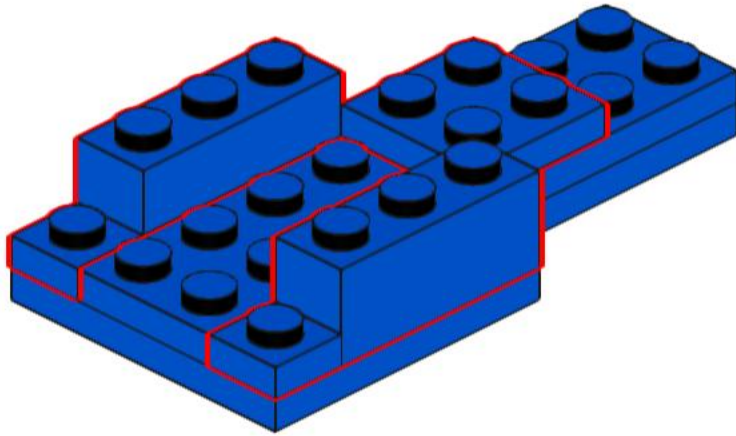


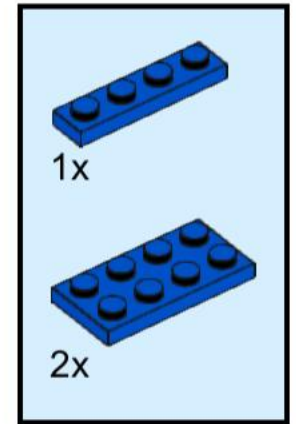
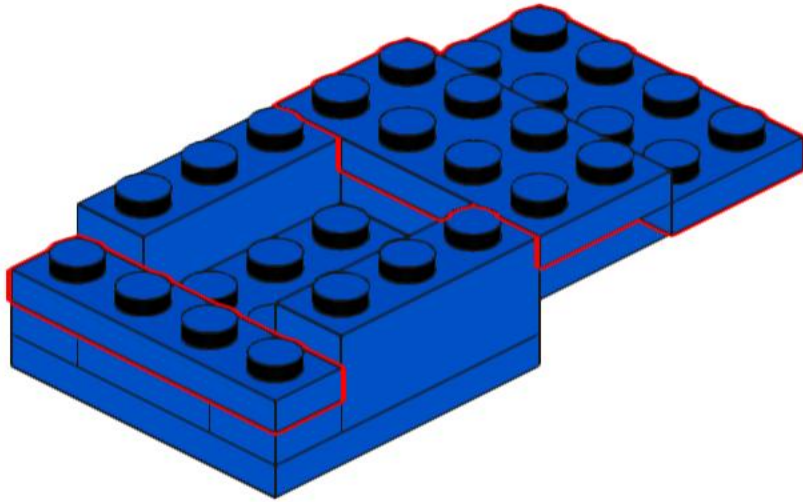
1



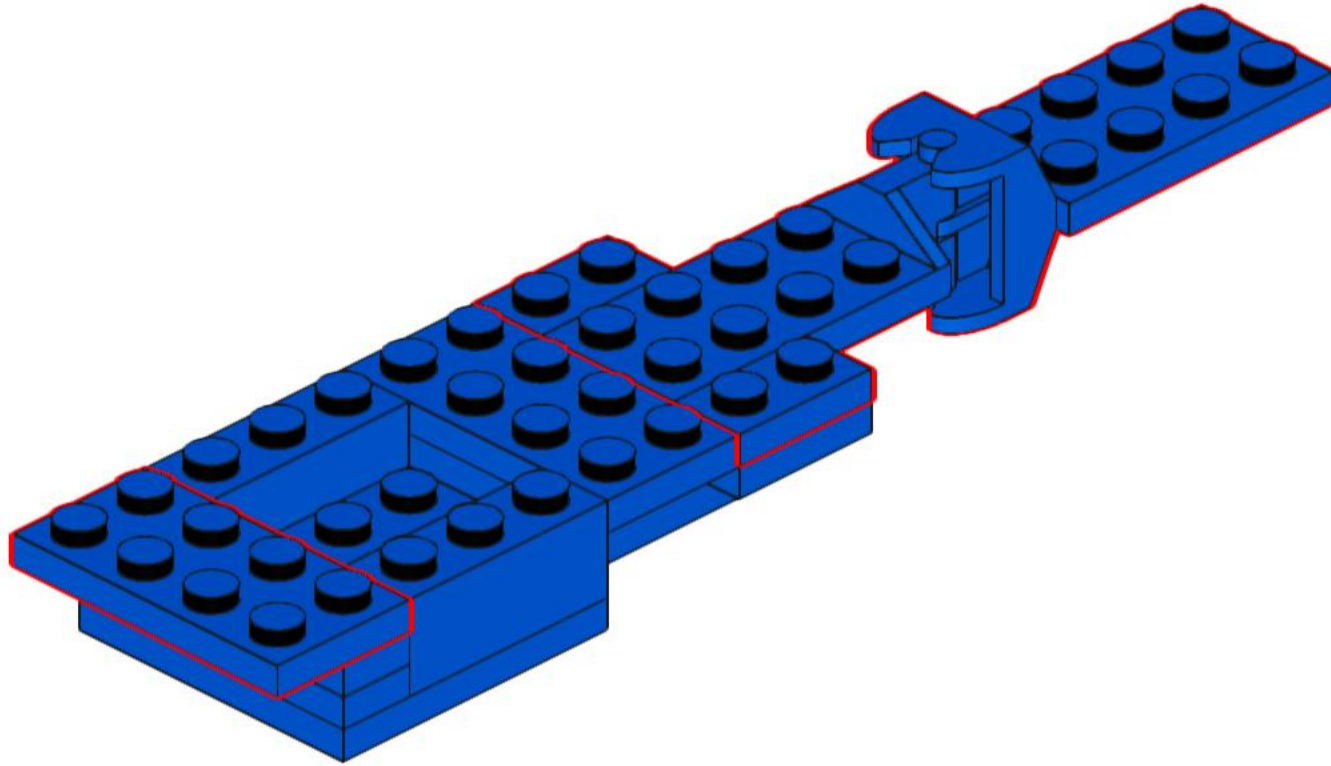
2



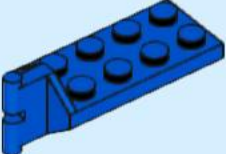
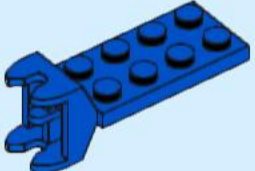


3

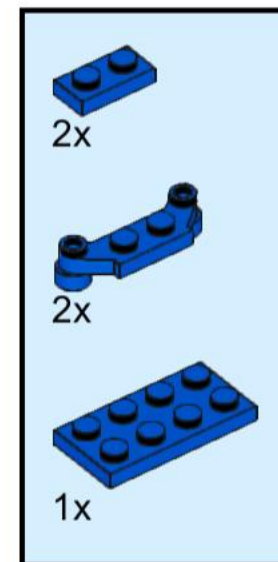
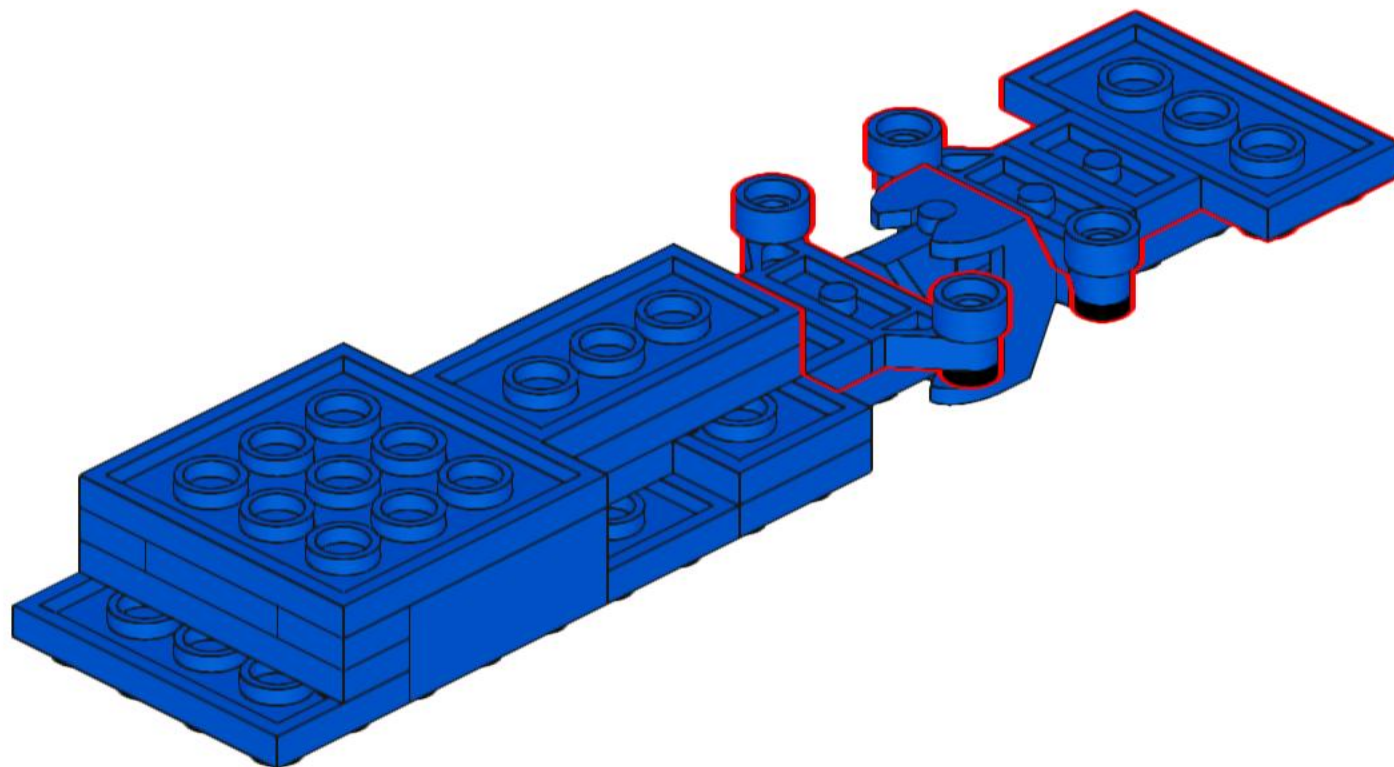


4

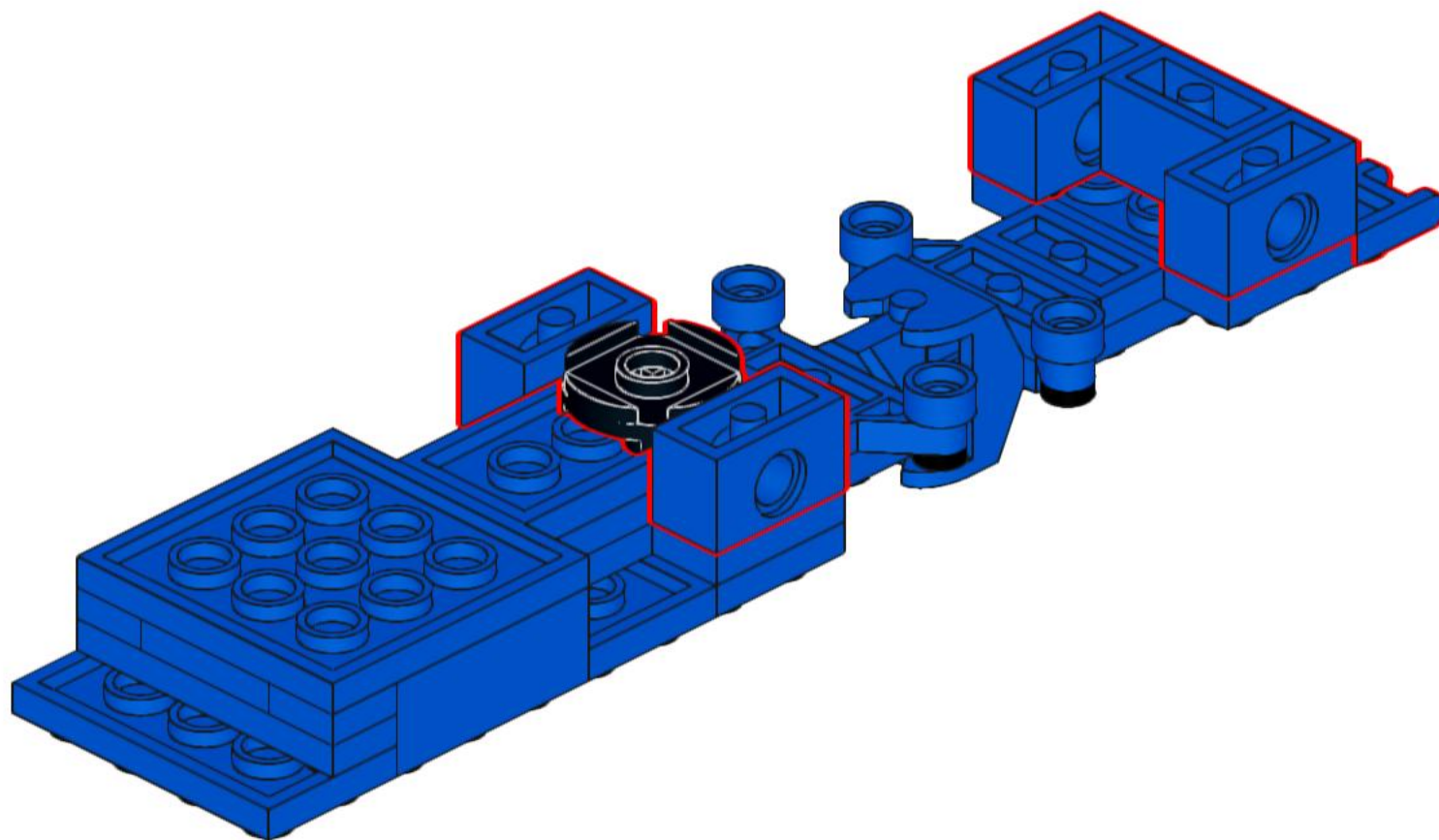






- 
2x
- 
1x
- 
1x
- 
1x

5

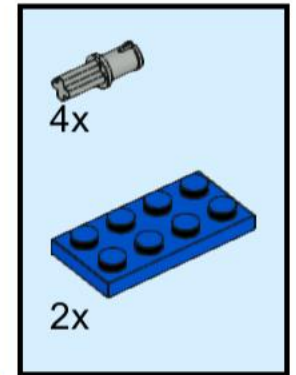
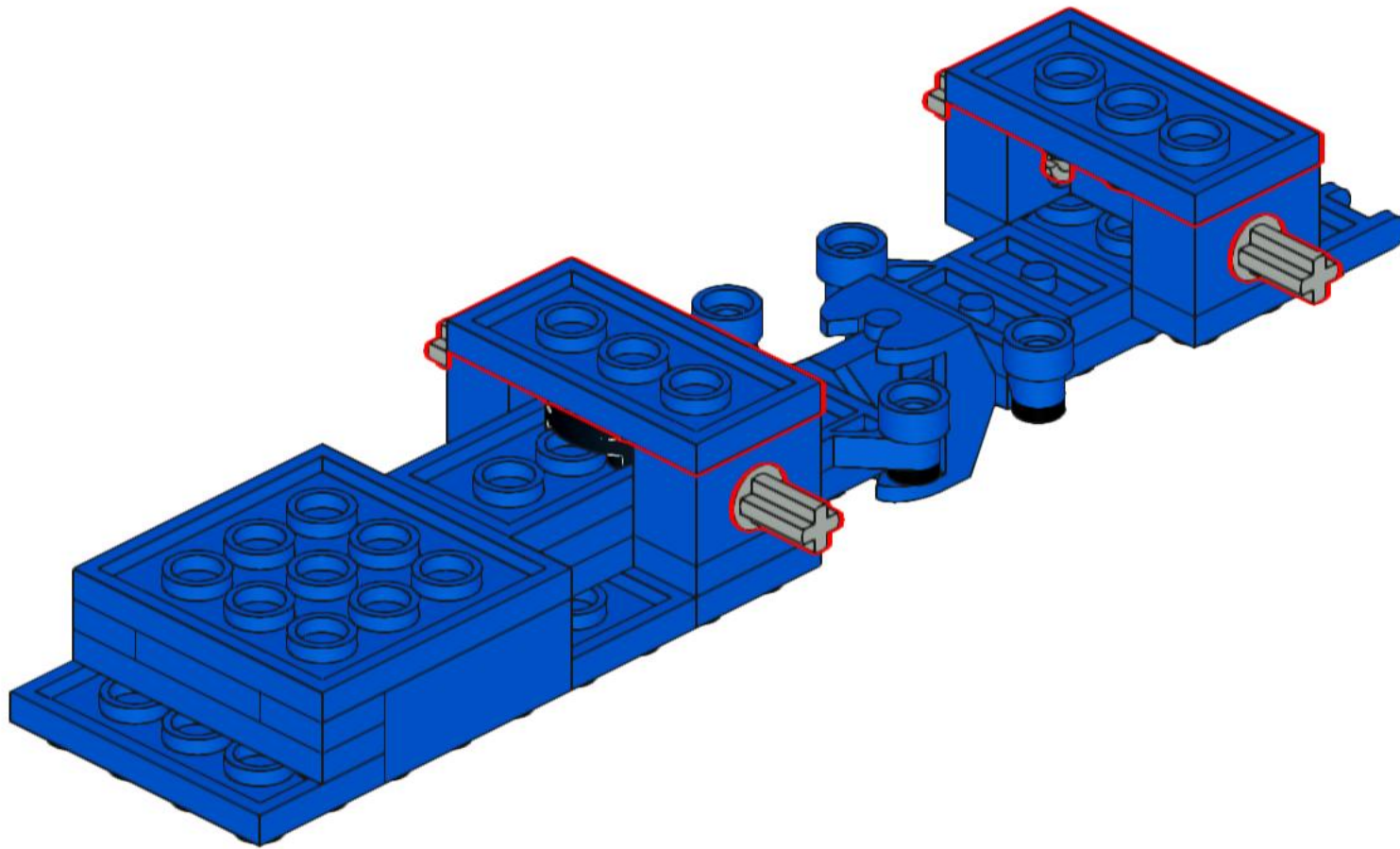


6

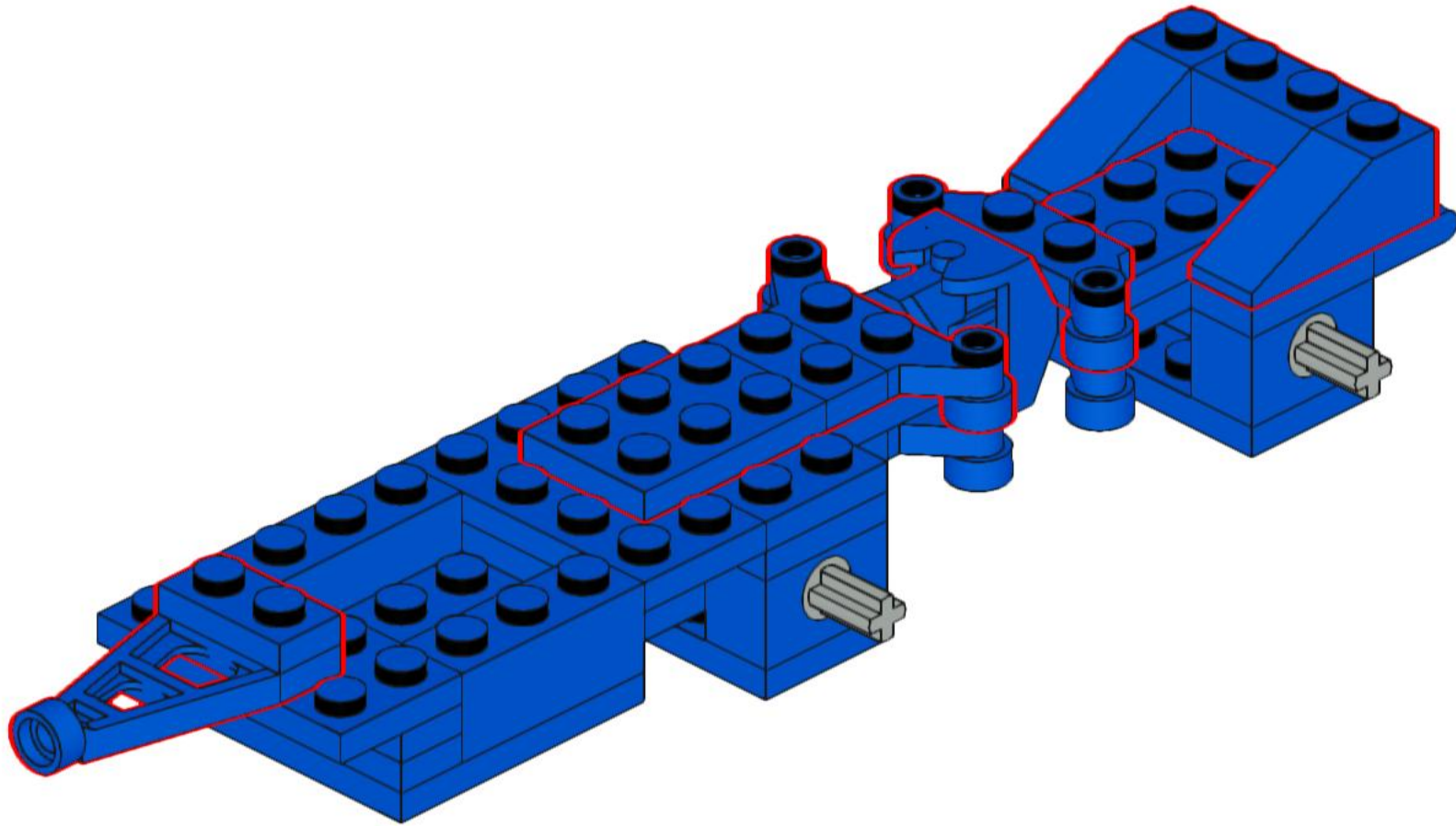







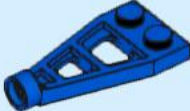
- 
1x
- 
4x
- 
1x
- 
1x

7

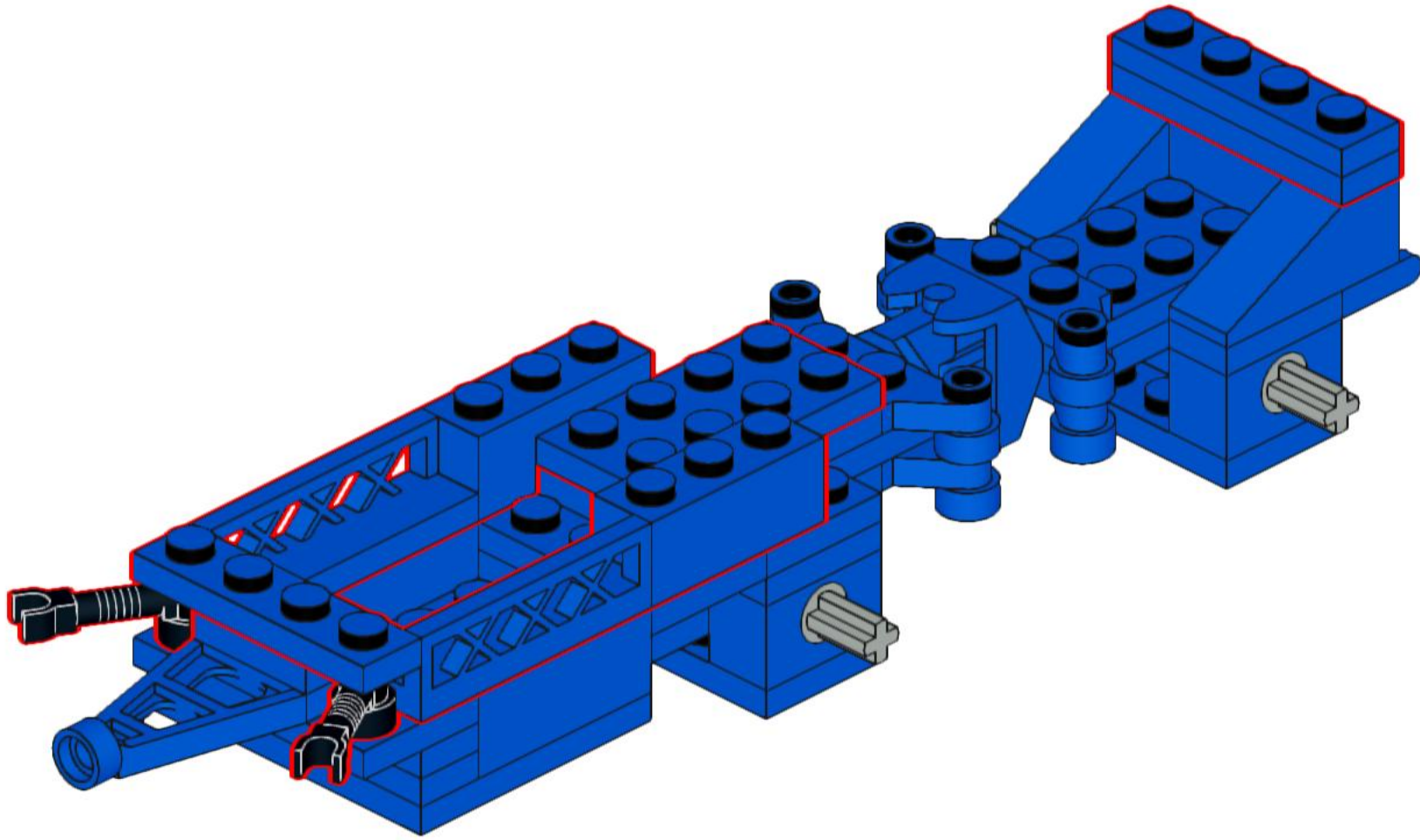


8

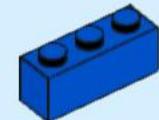


- 
2x
- 
1x
- 
1x
- 
2x
- 
2x
- 
1x

9



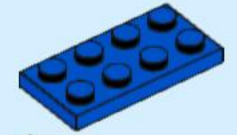
3x



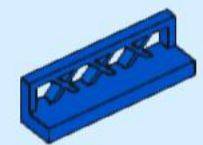
2x



2x

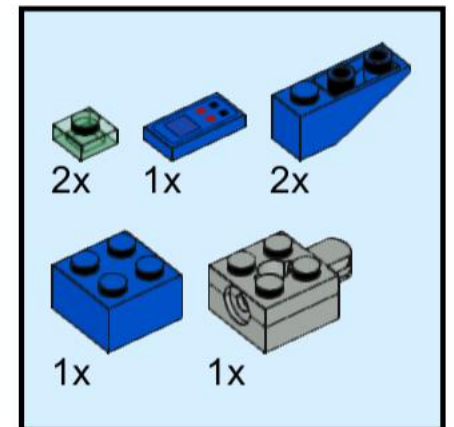
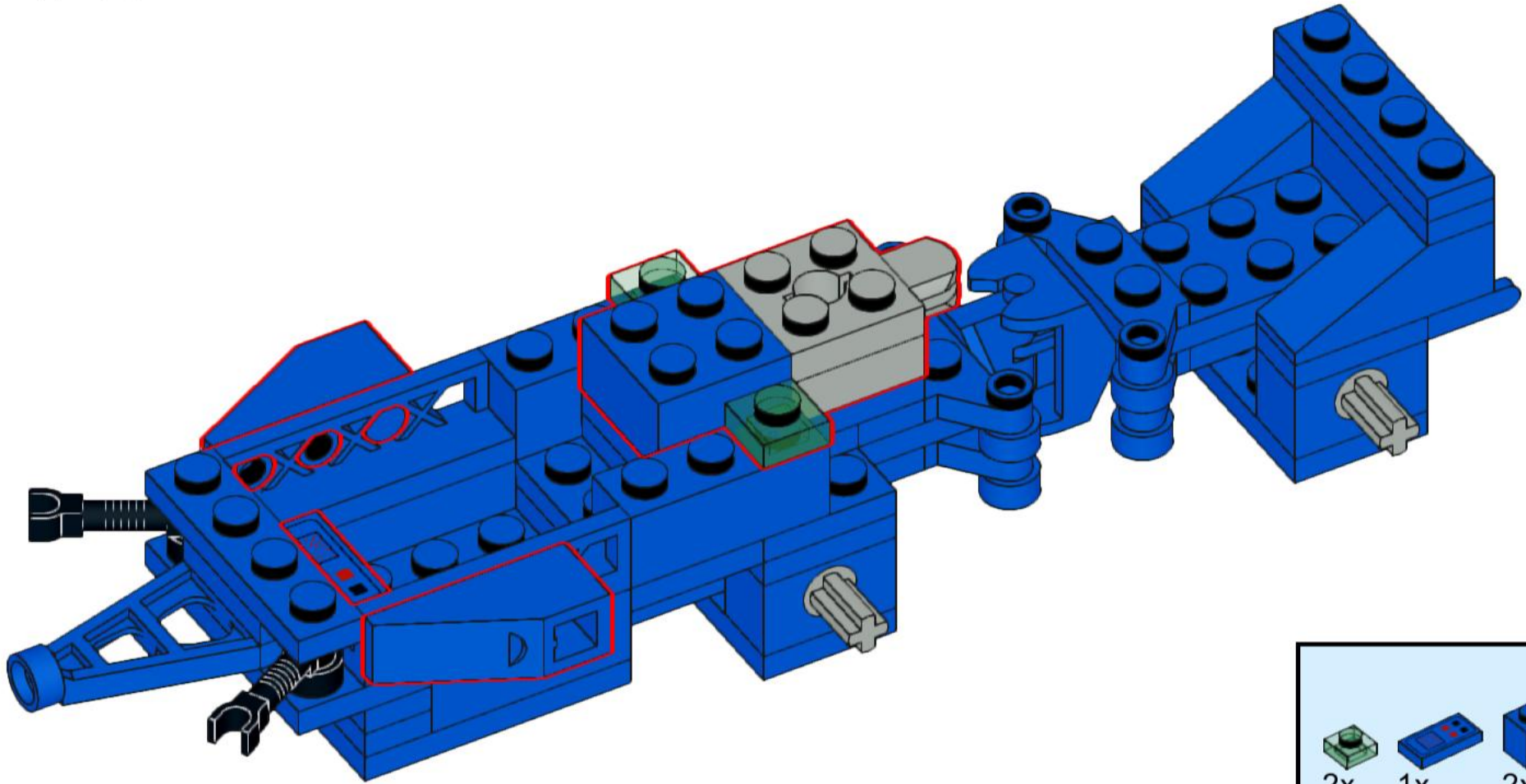


1x

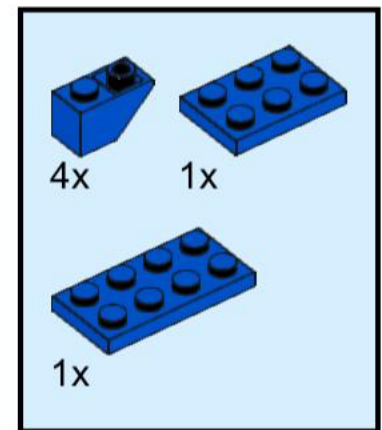
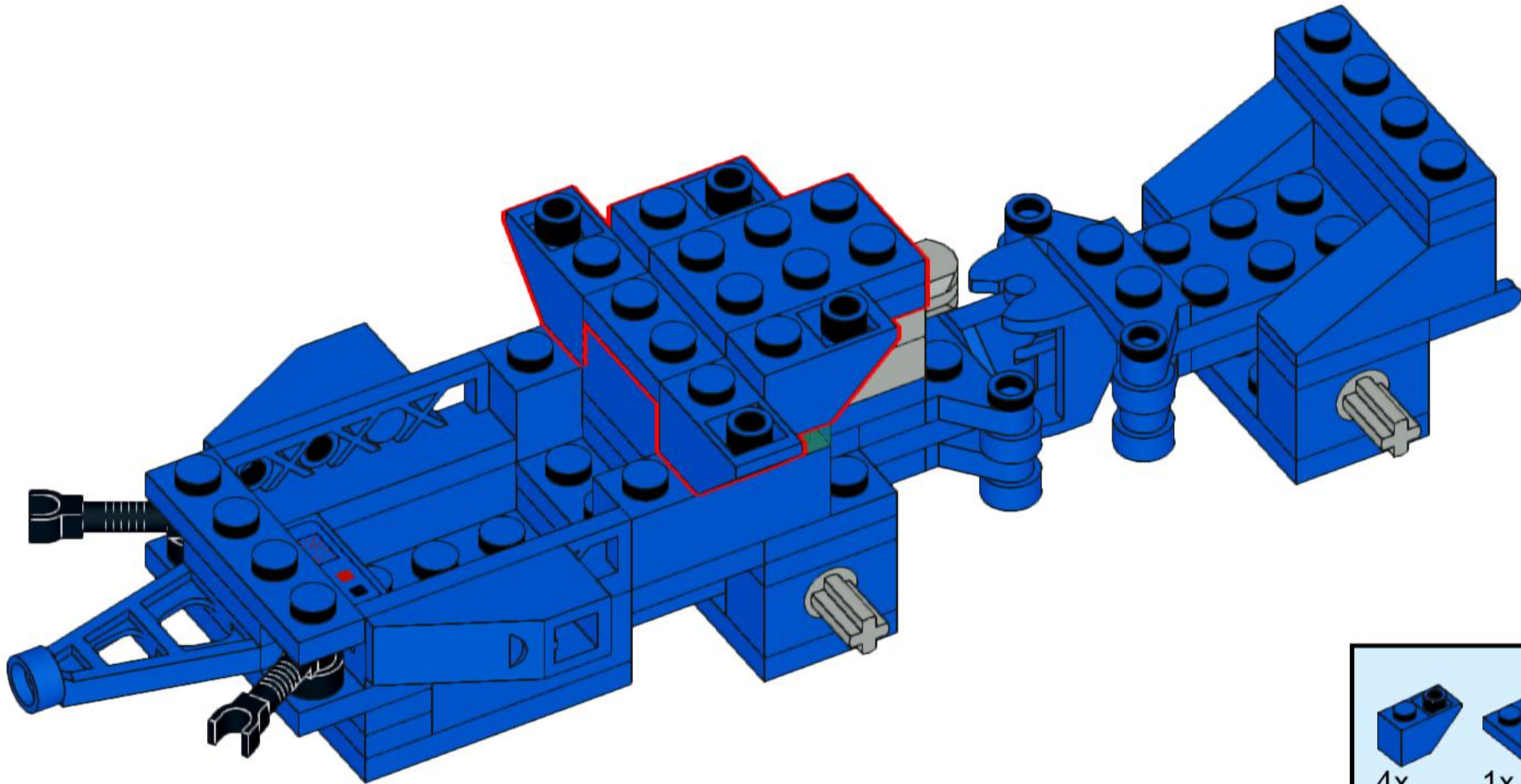


2x

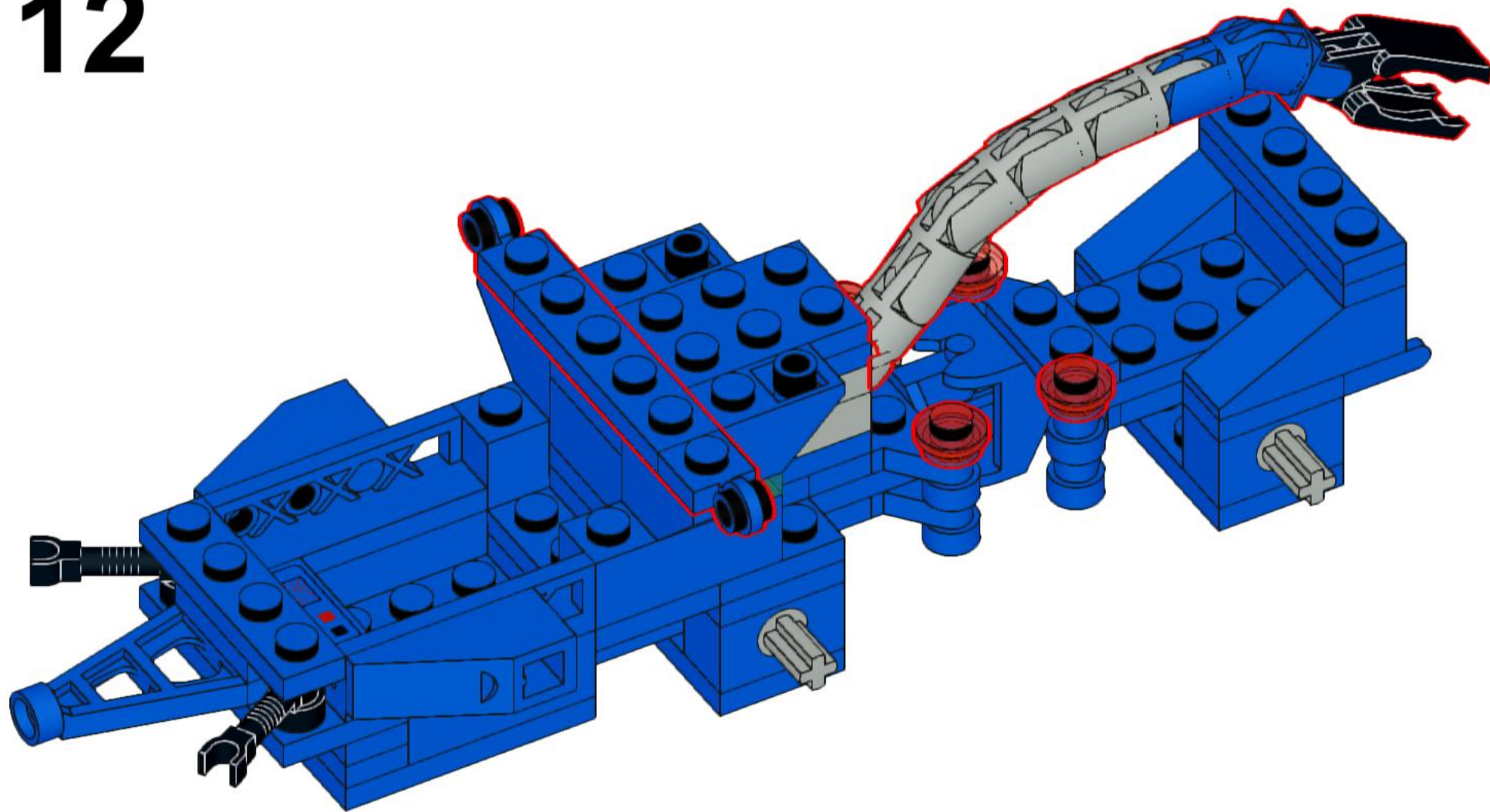
10










11

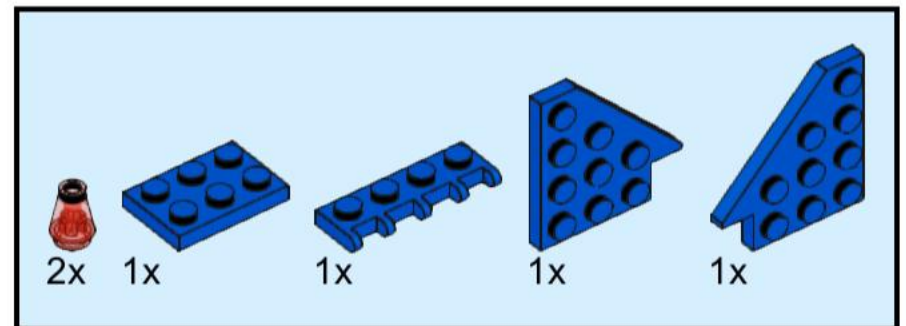
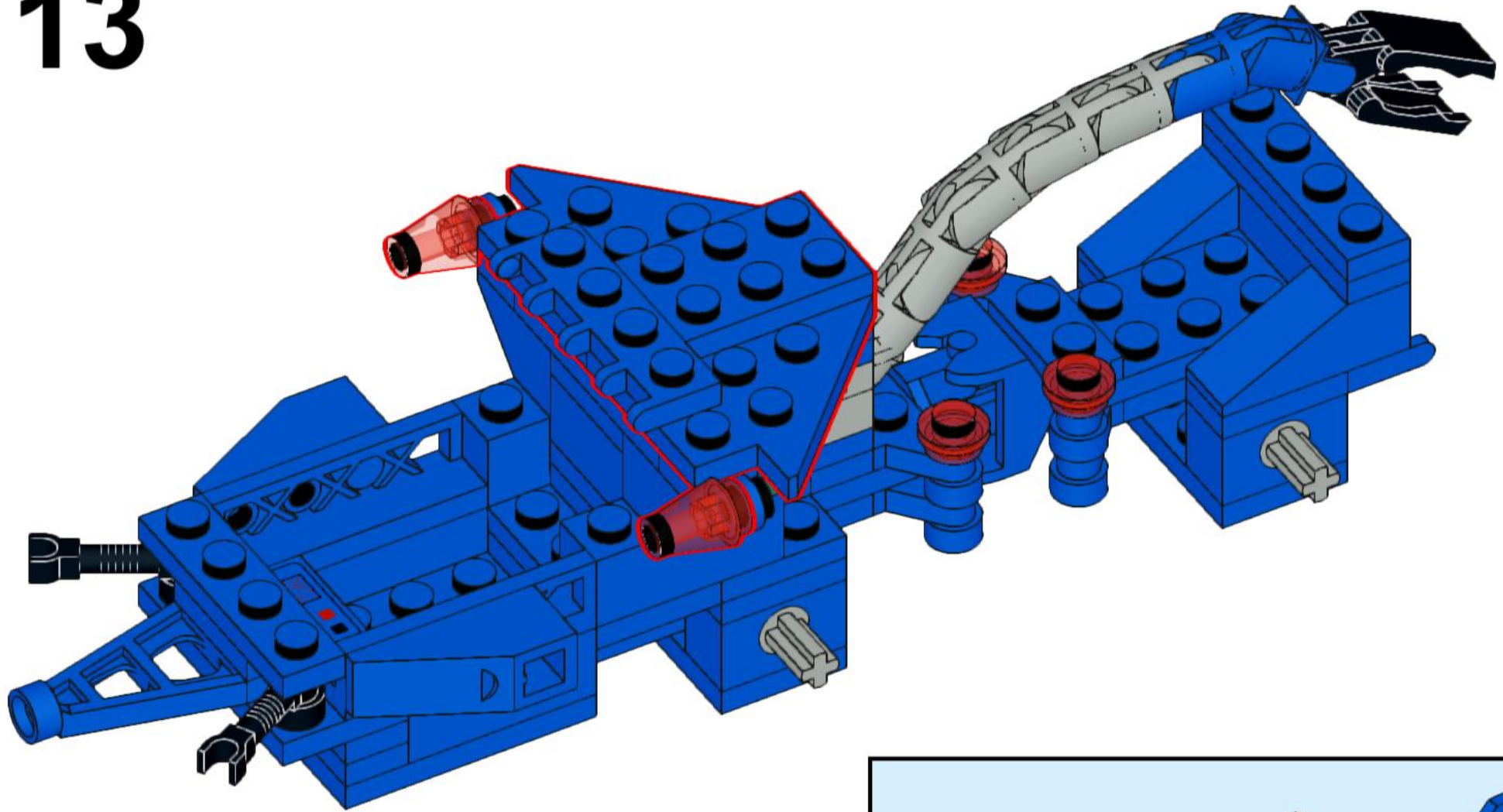


12

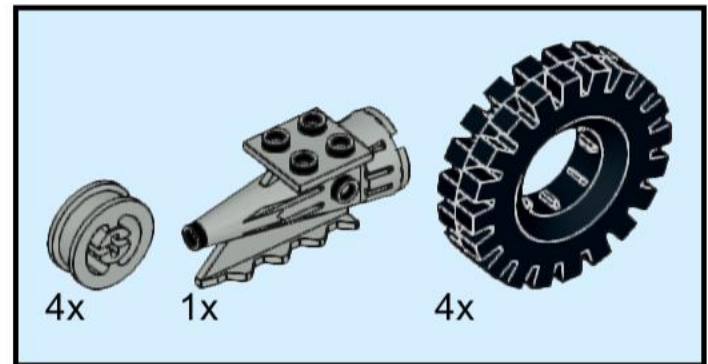
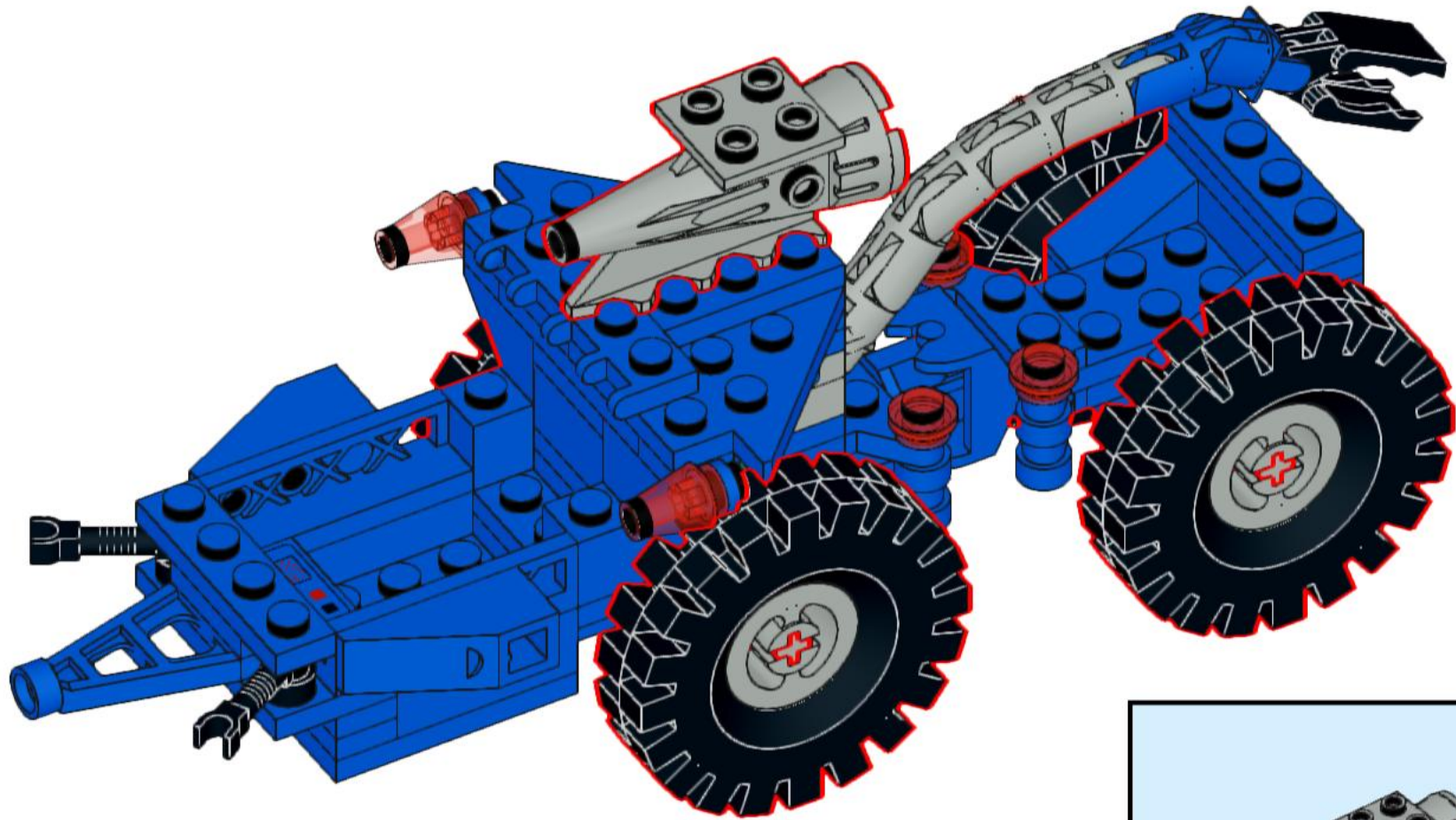


- | | | | | | | |
|---------------------------------------------------------------------------------------|---------------------------------------------------------------------------------------|---------------------------------------------------------------------------------------|---------------------------------------------------------------------------------------|---------------------------------------------------------------------------------------|---------------------------------------------------------------------------------------|---------------------------------------------------------------------------------------|
|  |  |  |  |  |  |  |
| 4x | 2x | 1x | 1x | 1x | 5x | 2x |

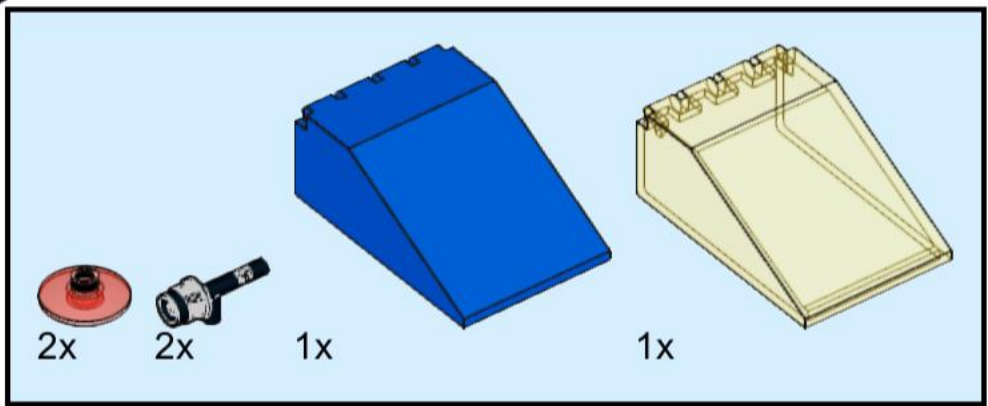
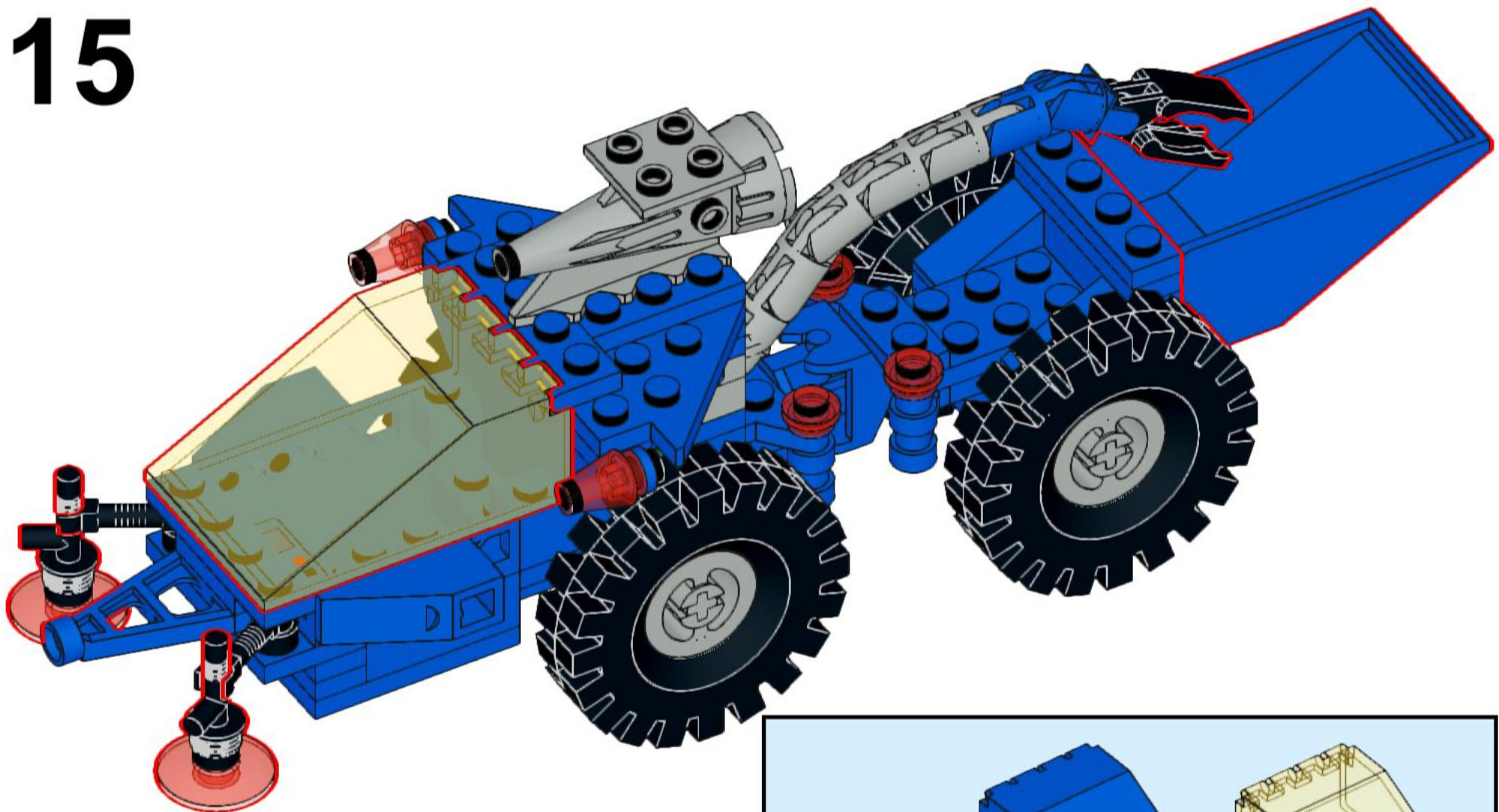
13



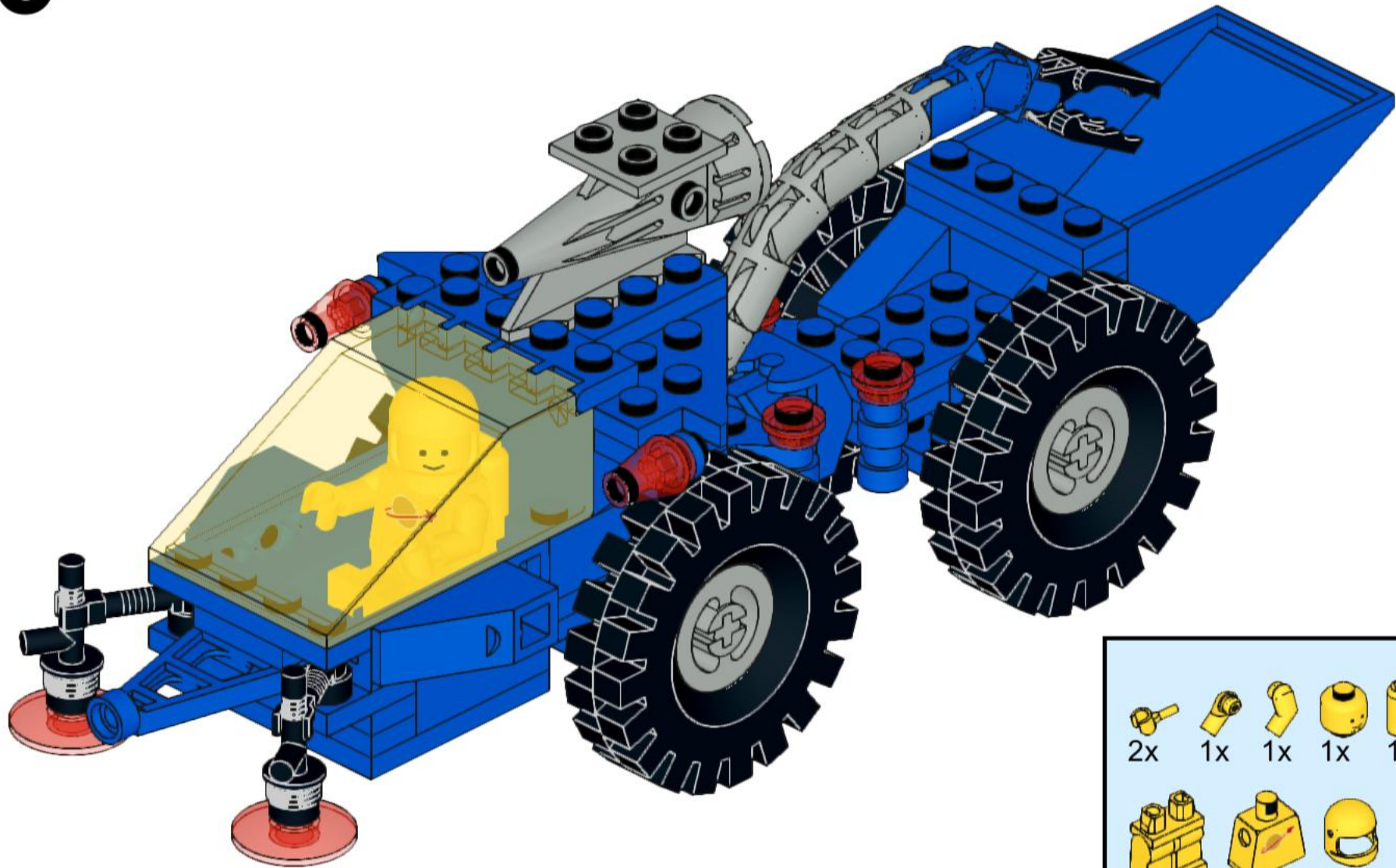
14











15



16



- | | | | | |
|---------------------------------------------------------------------------------------|---------------------------------------------------------------------------------------|---------------------------------------------------------------------------------------|---------------------------------------------------------------------------------------|---------------------------------------------------------------------------------------|
|  |  |  |  |  |
| 2x | 1x | 1x | 1x | 1x |
|  |  |  | | |
| 1x | 1x | 1x | | |