

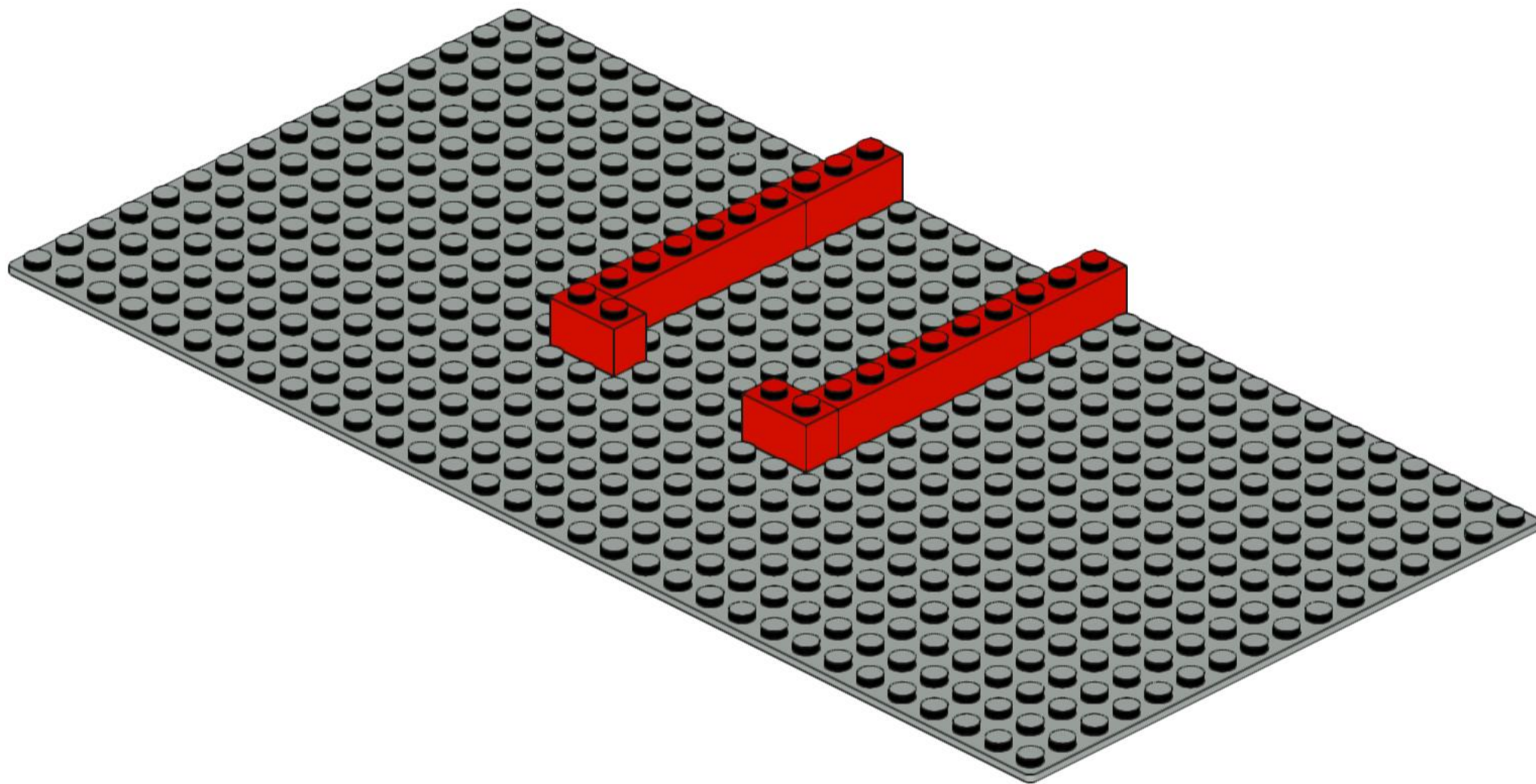
720-1 Basic building set

Windmill with tractor

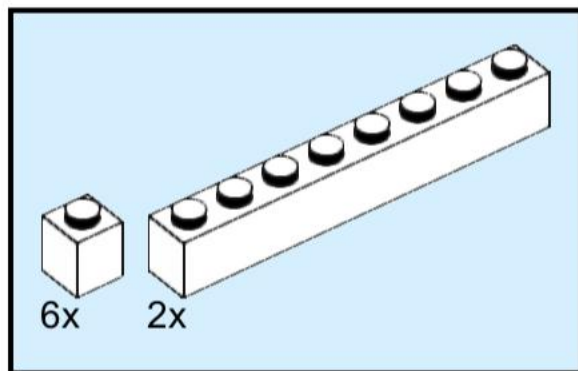
Instructions by se1977



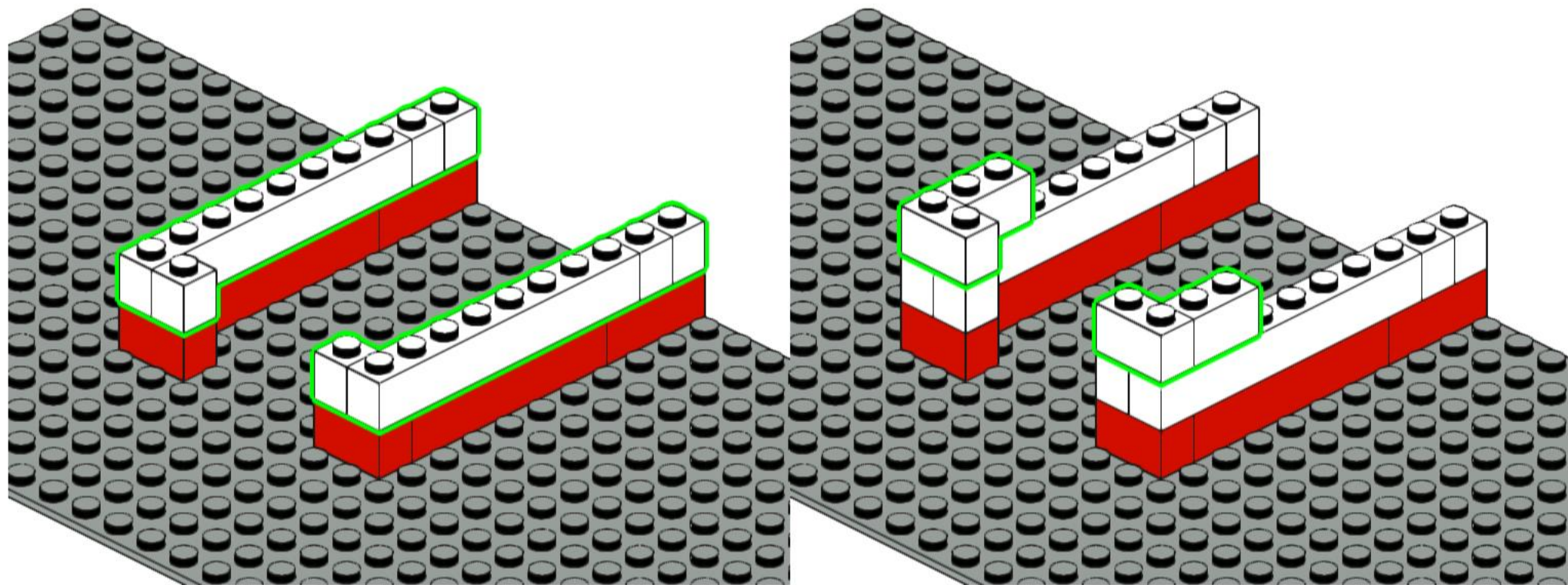
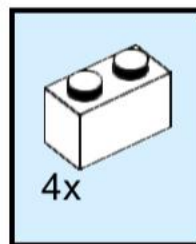
1



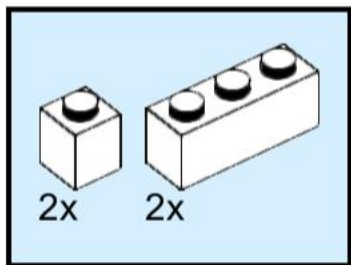
2



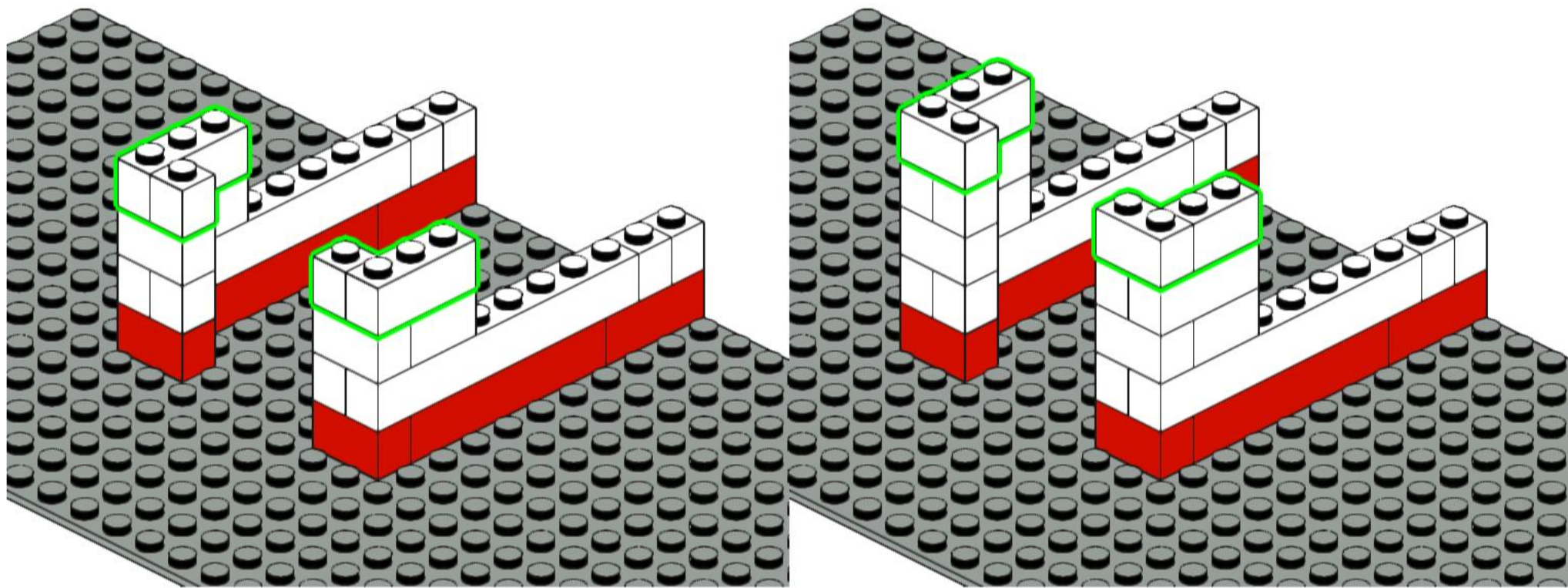
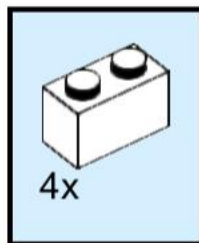
3



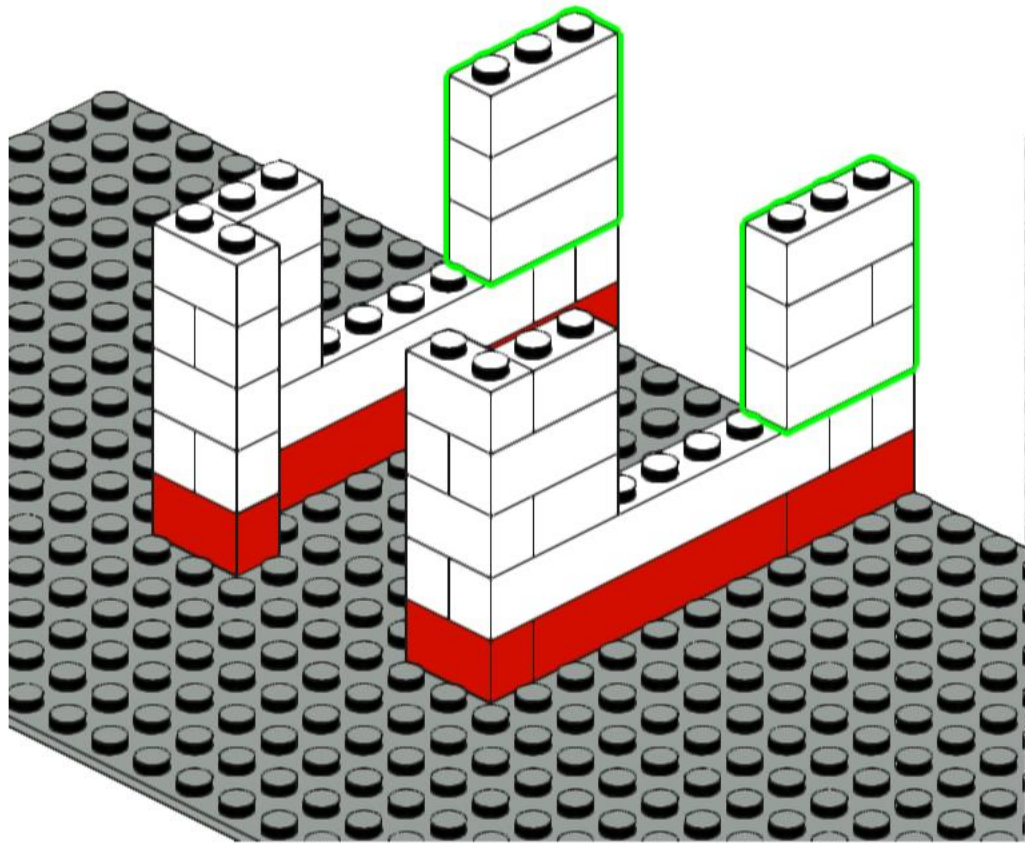
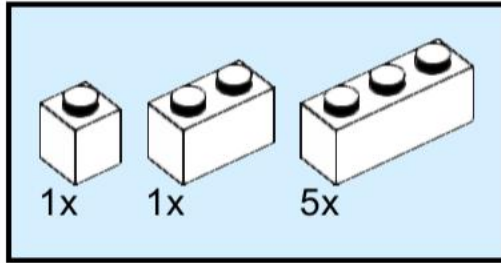
4



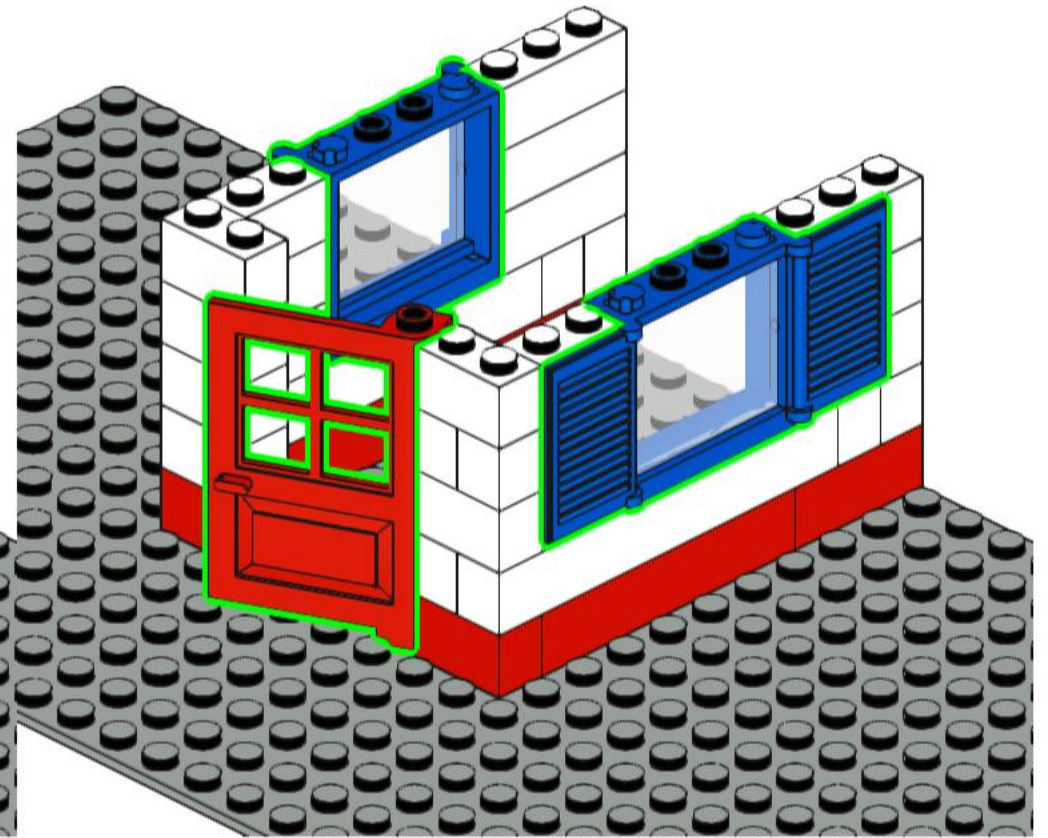
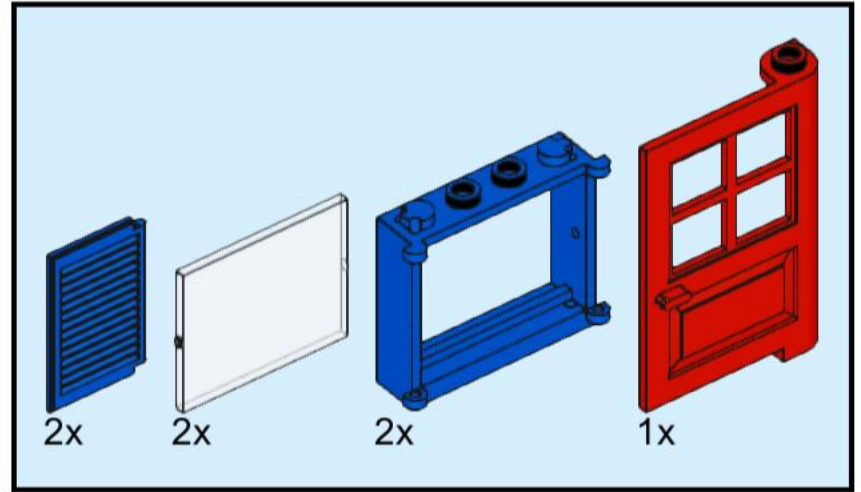
5



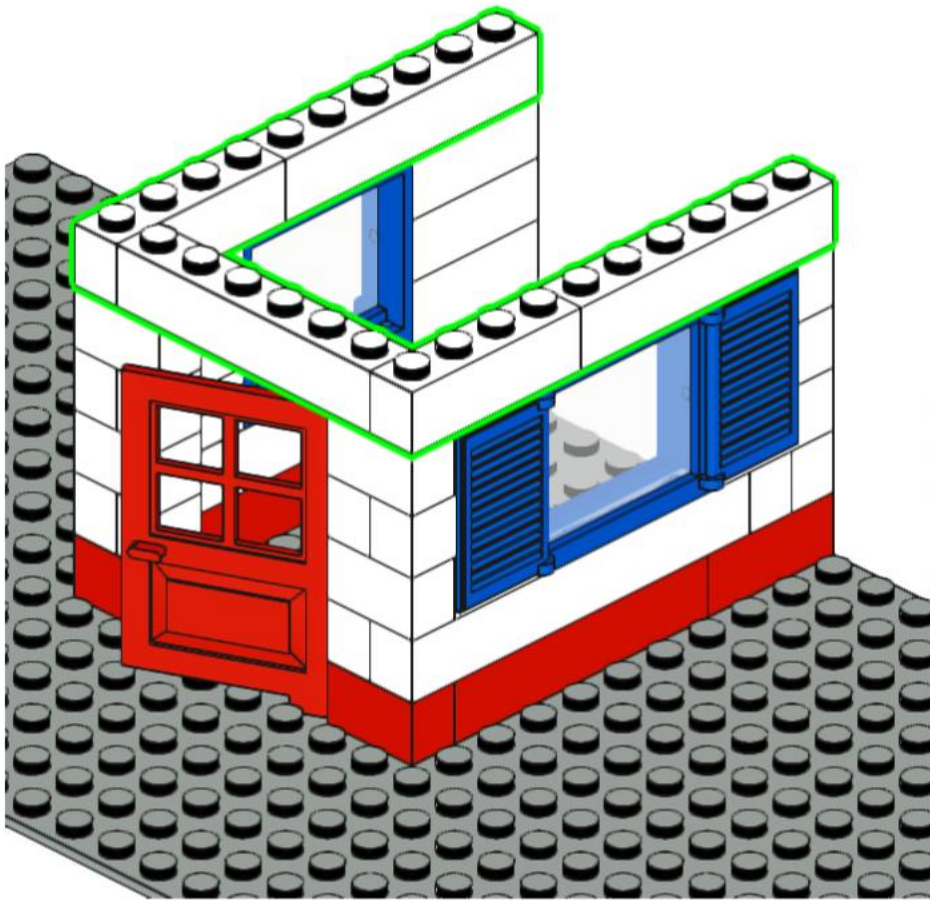
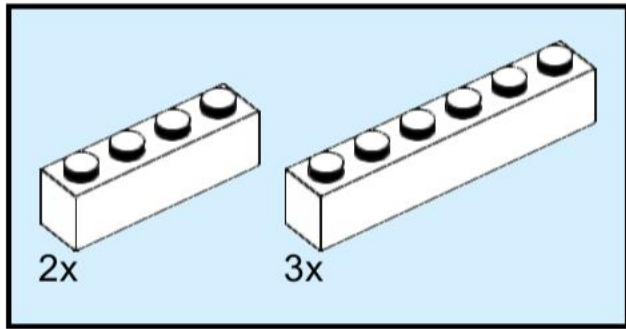
6



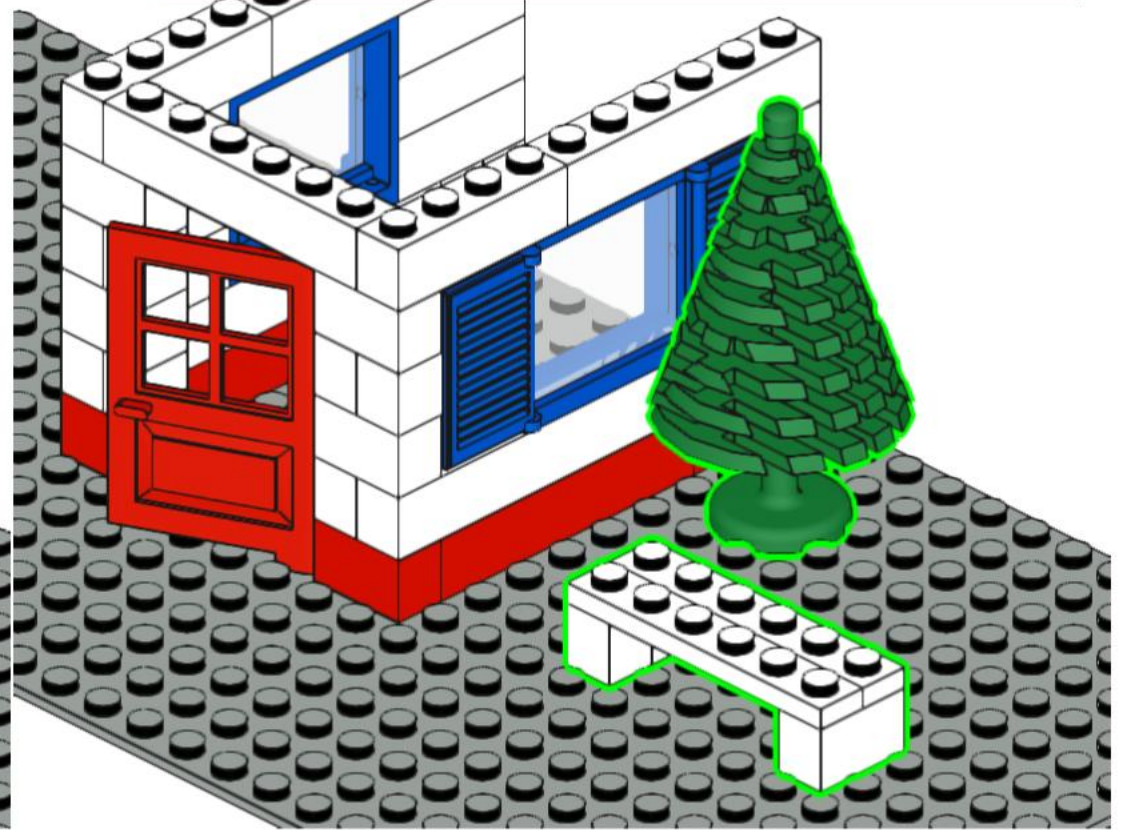
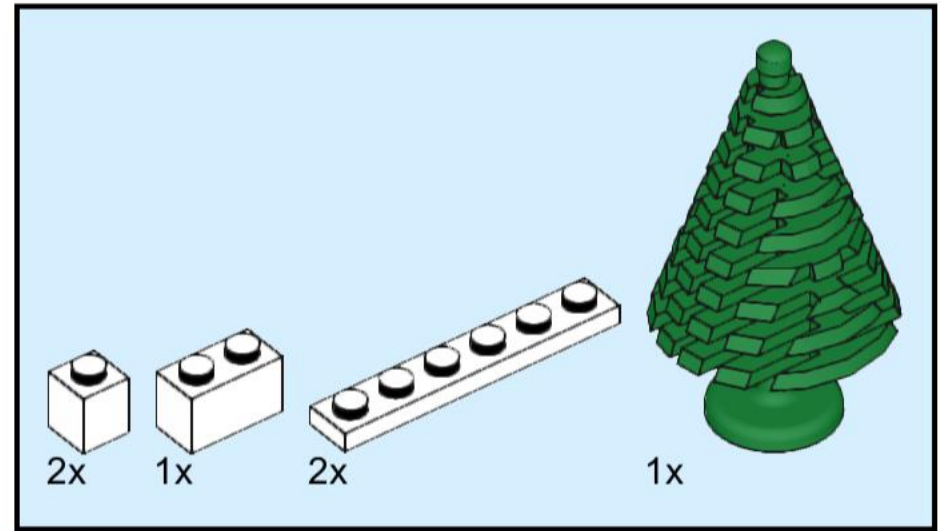
7



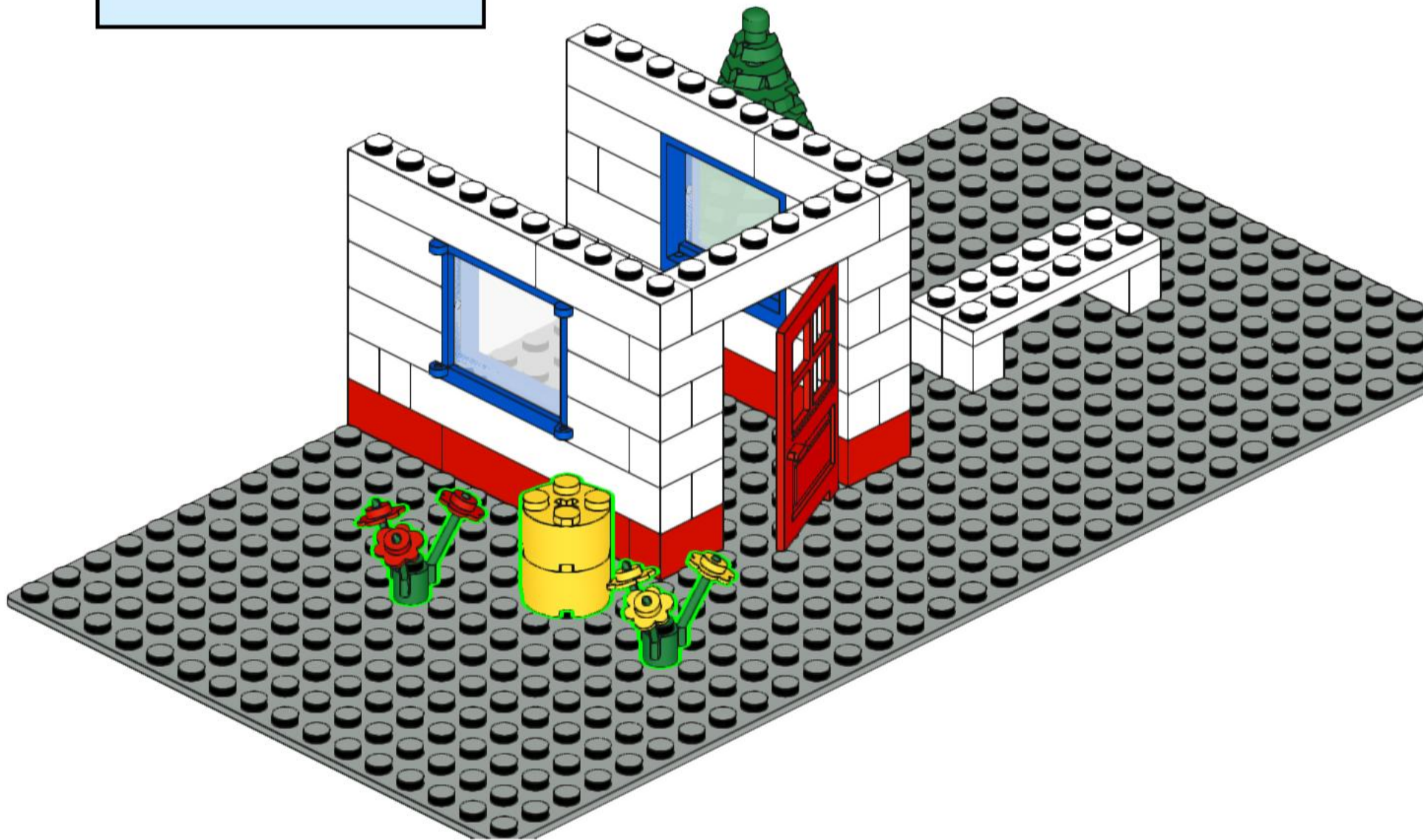
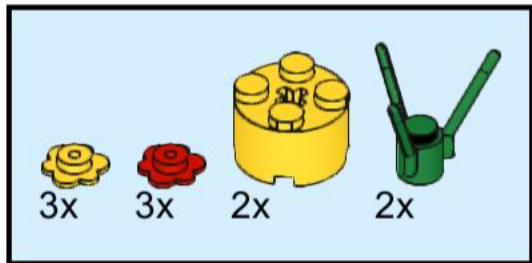
8



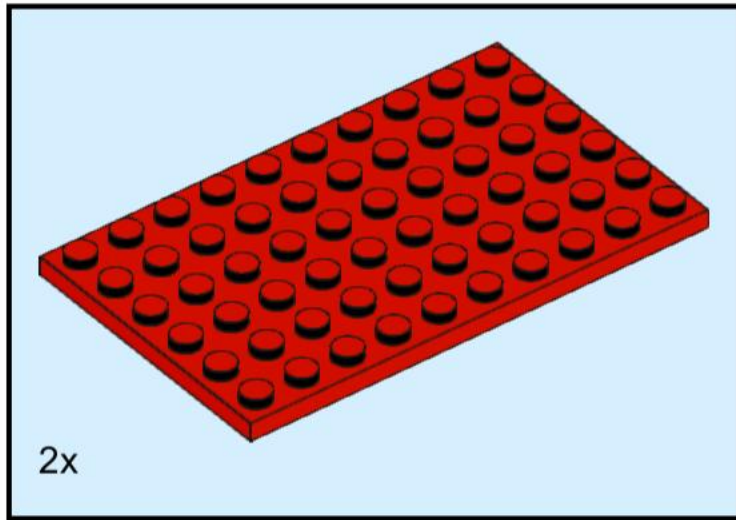
9



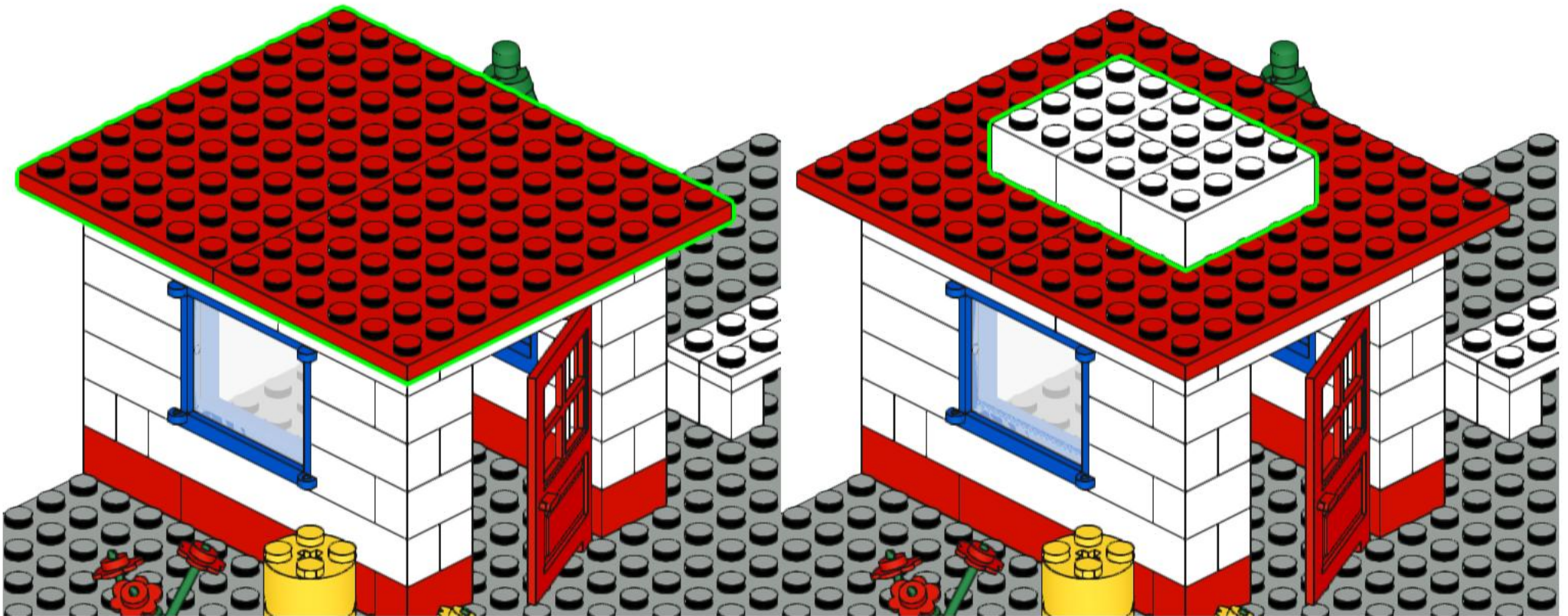
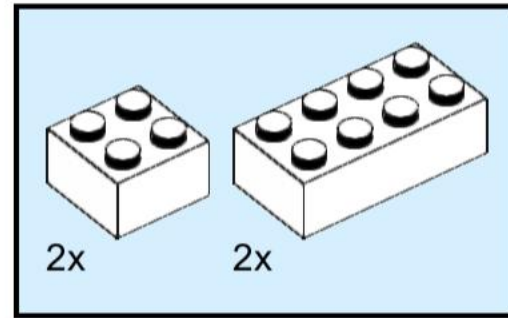
10



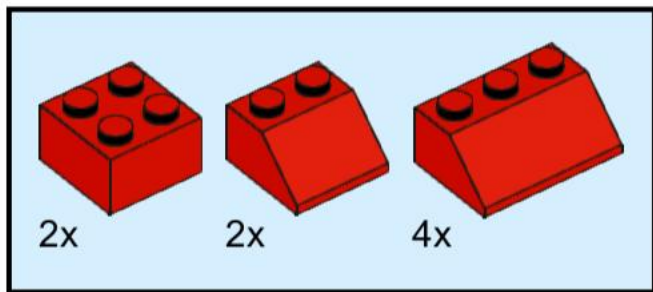
11



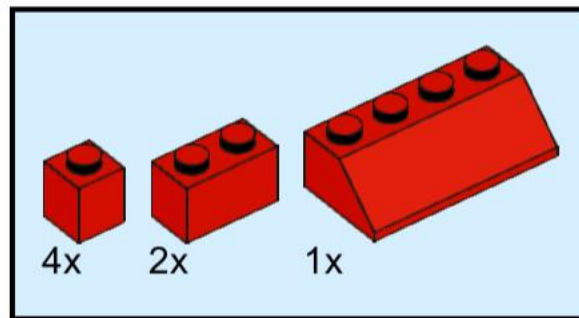
12



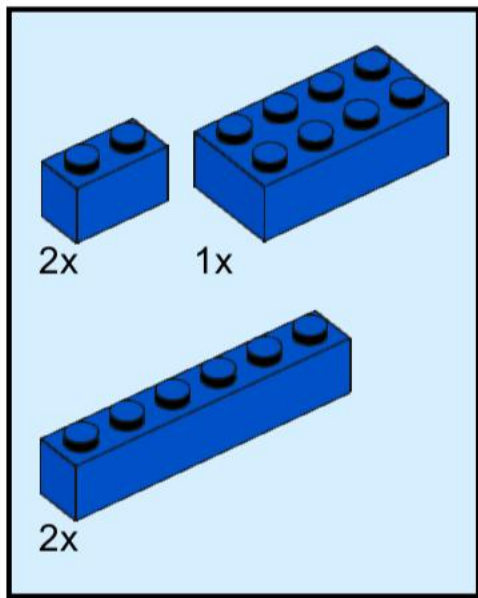
13



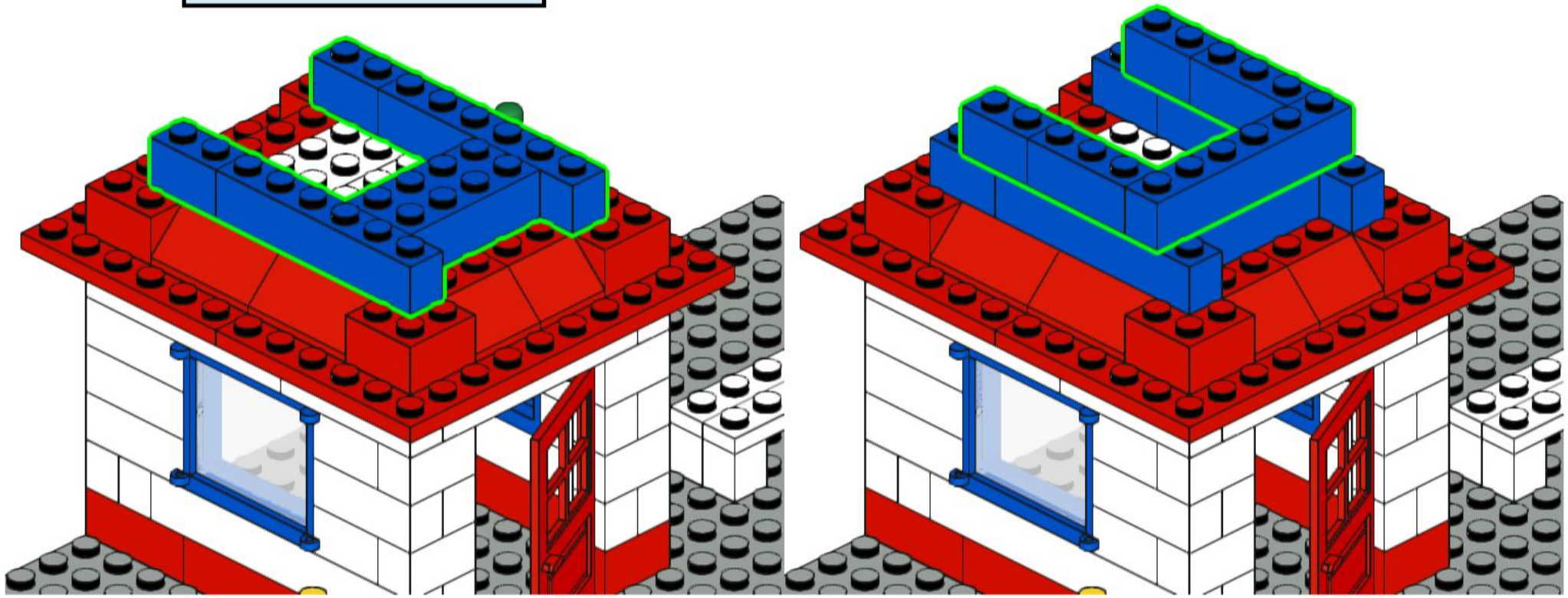
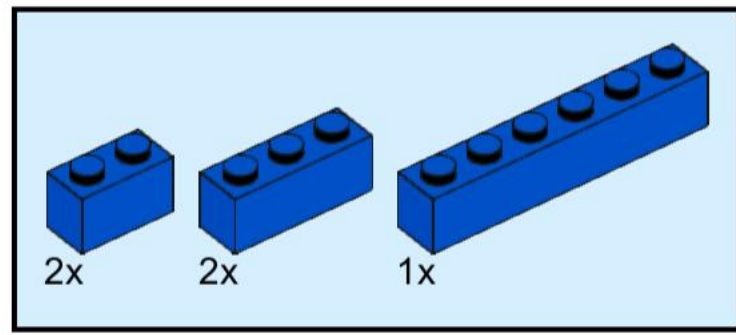
14



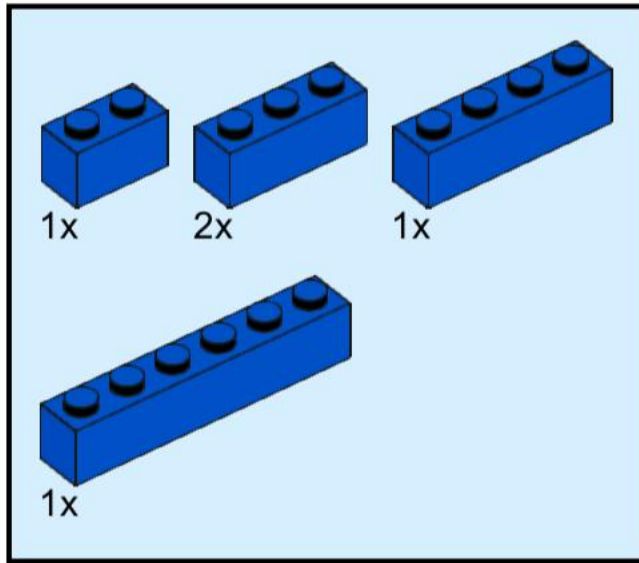
15



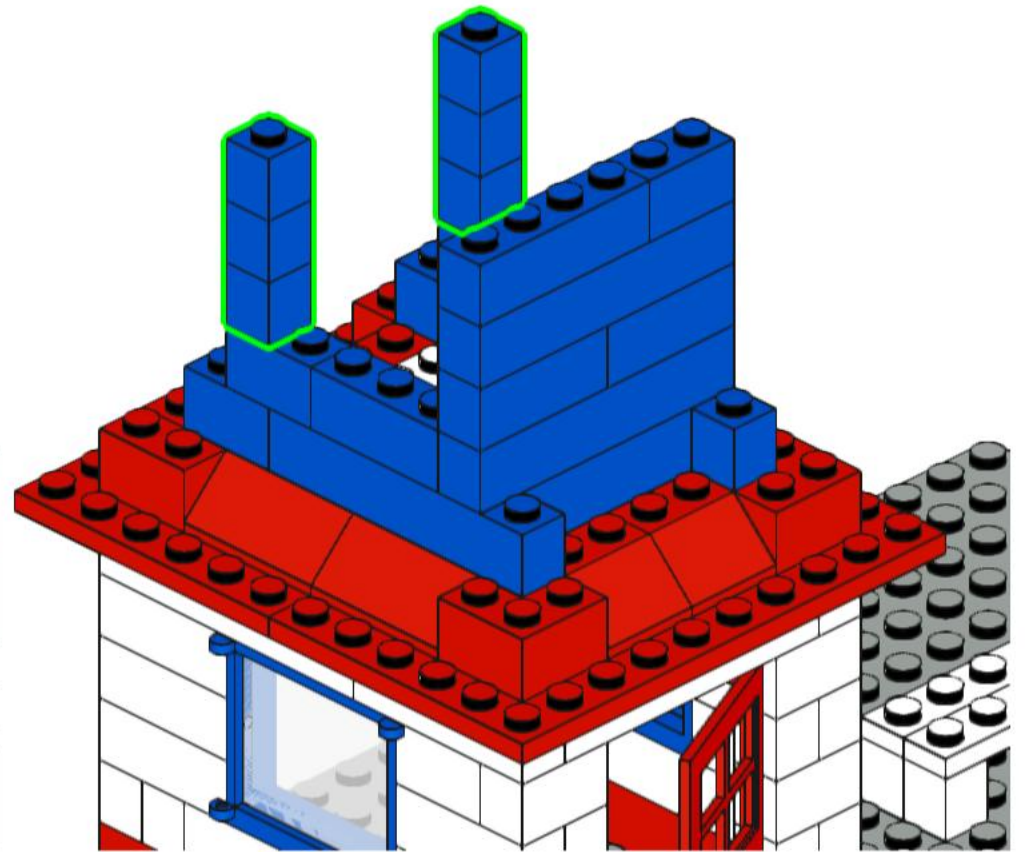
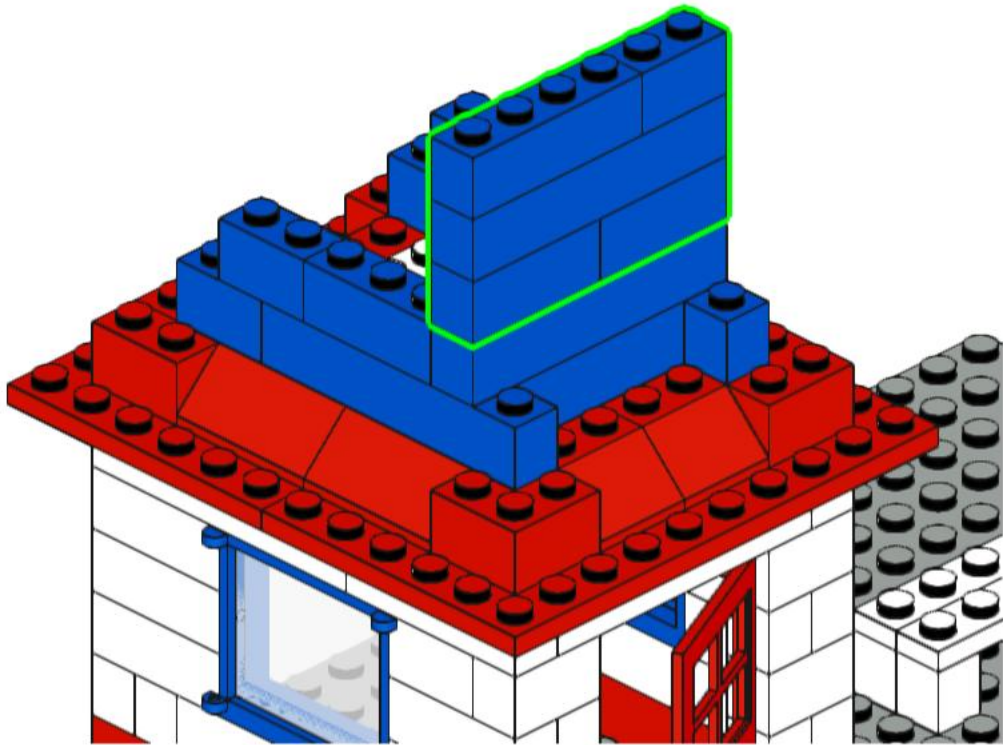
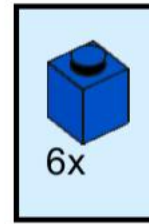
16



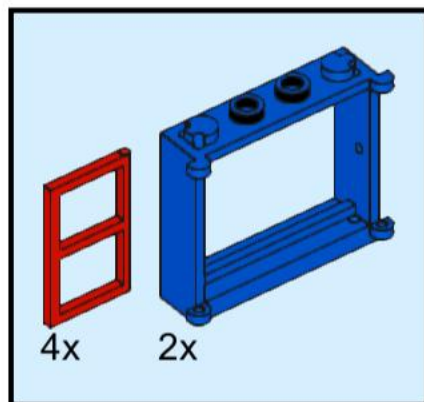
17



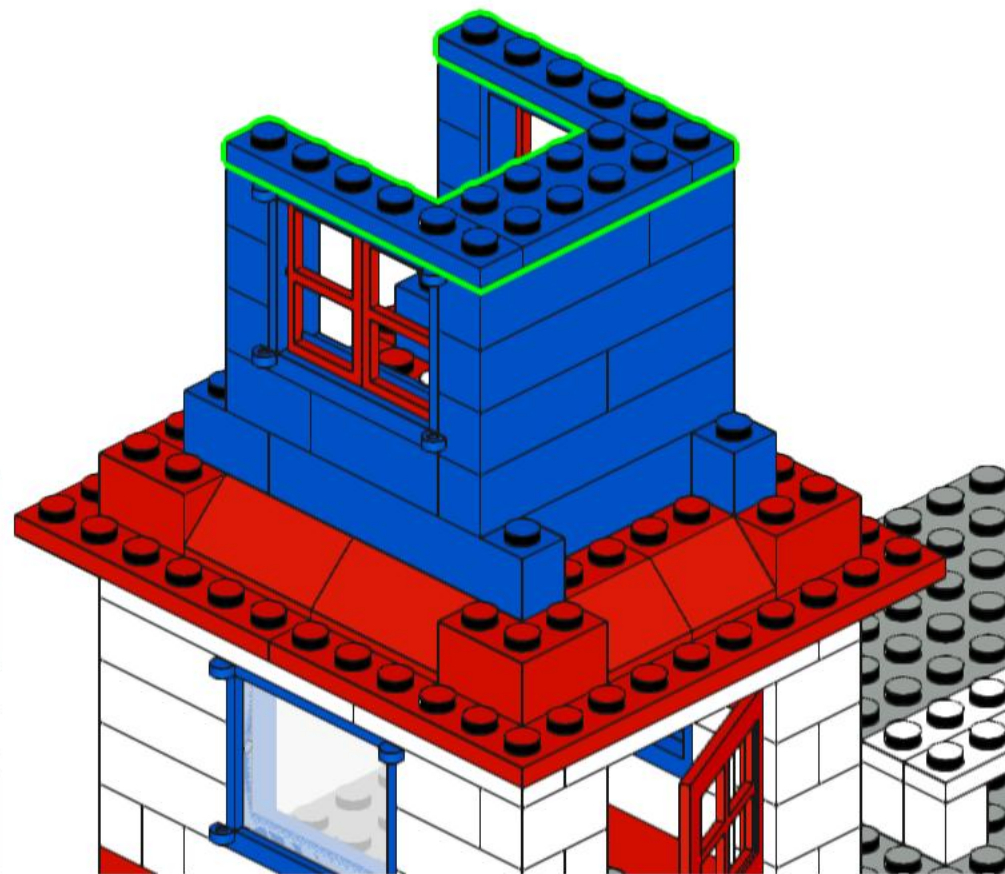
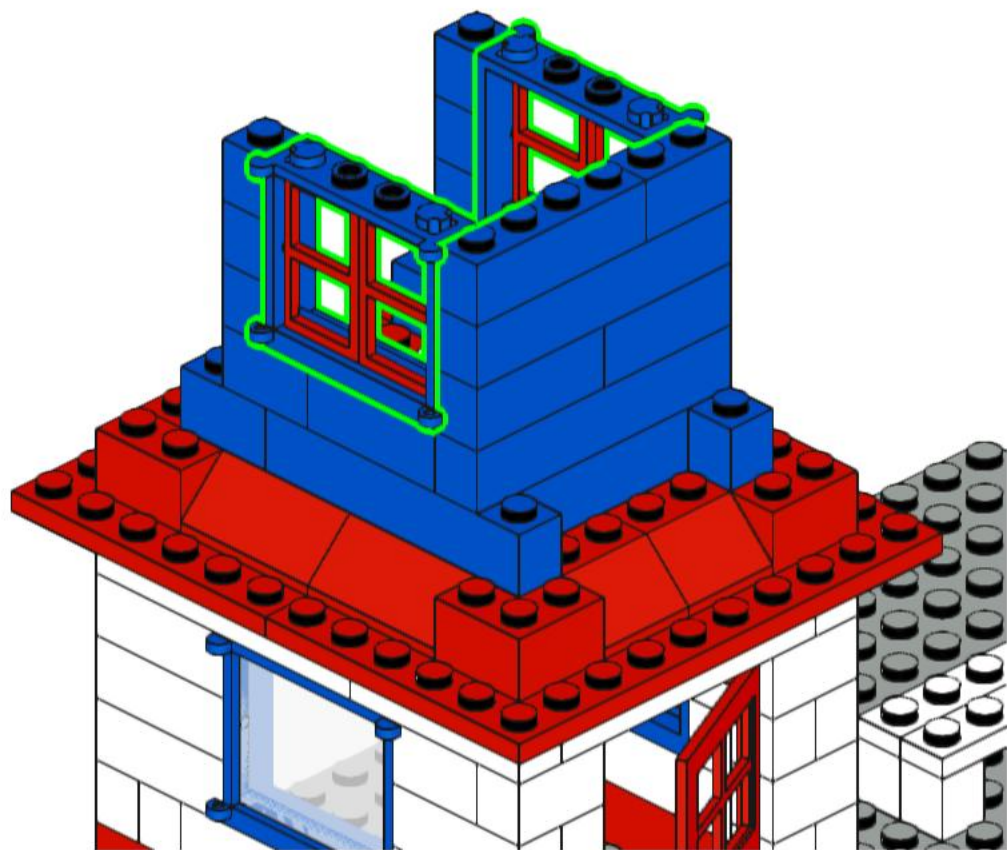
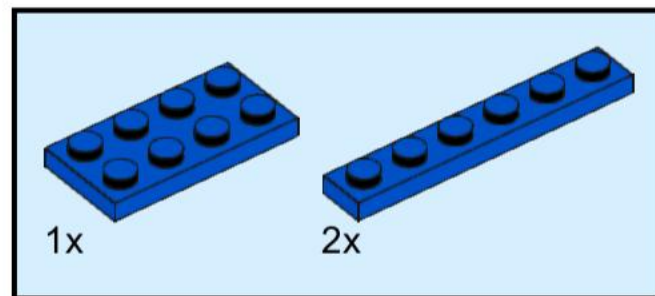
18



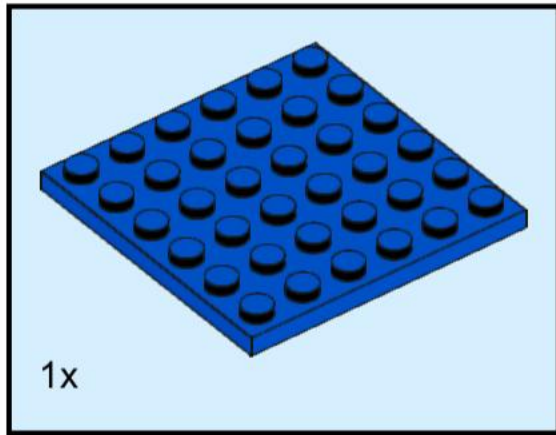
19



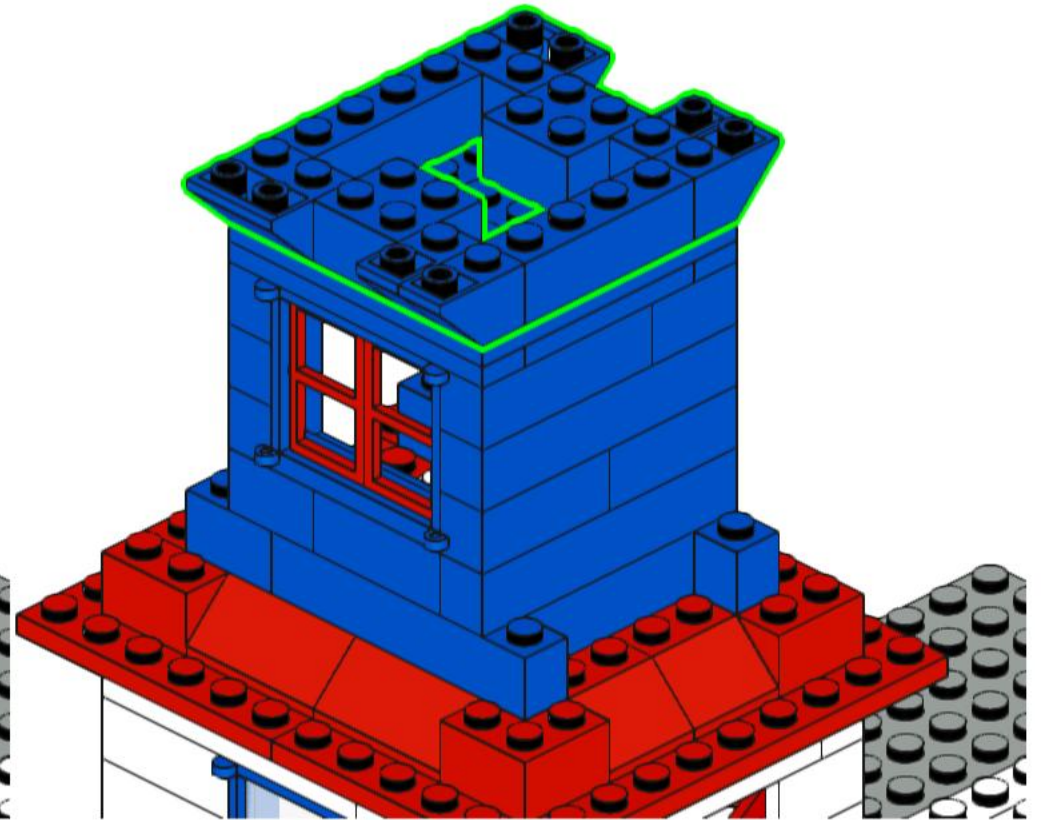
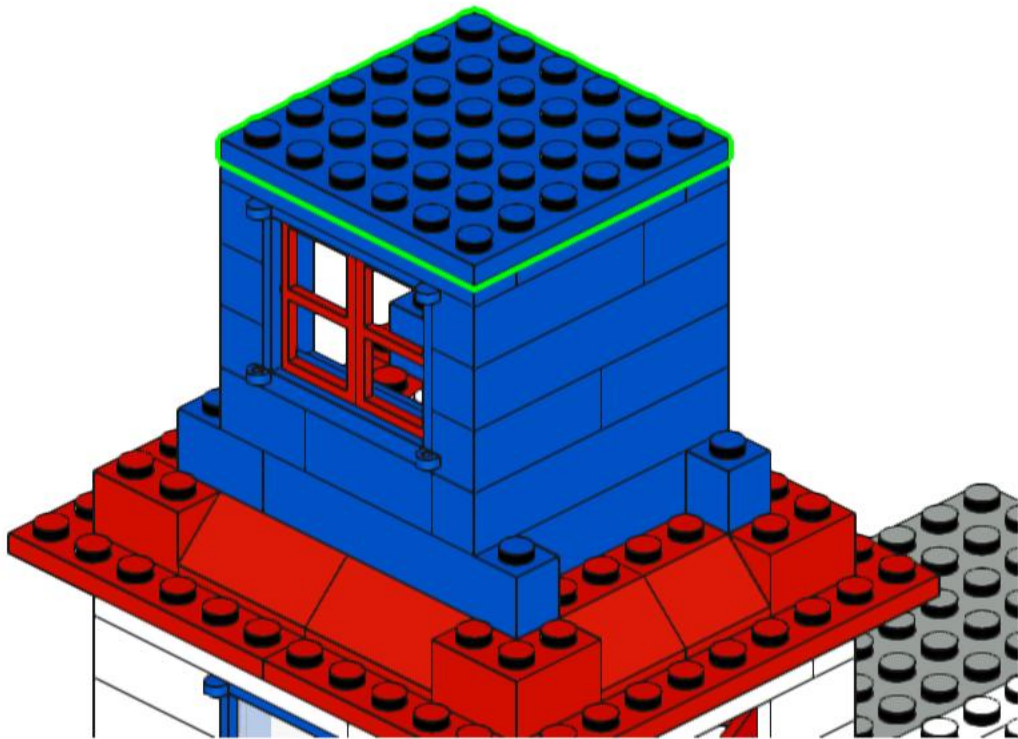
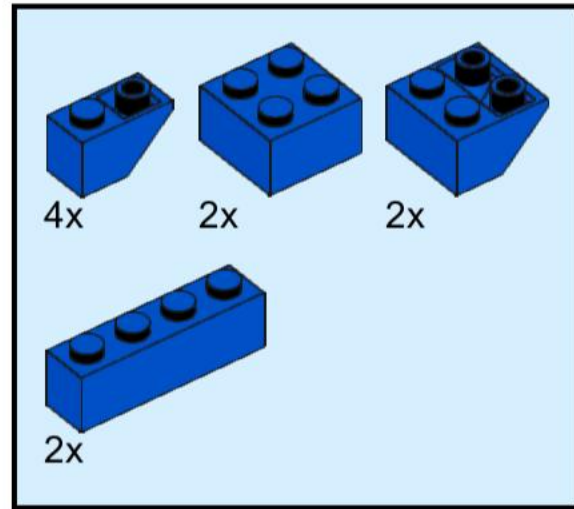
20



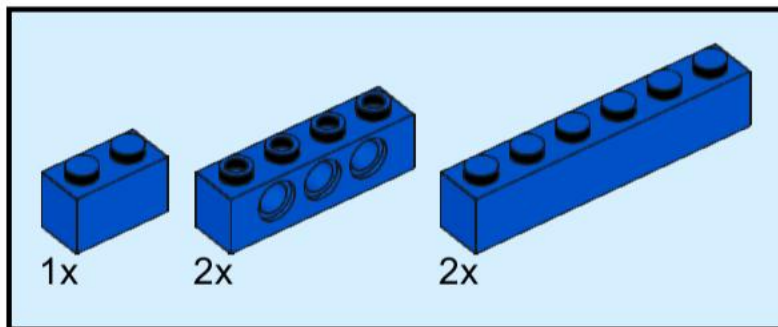
21



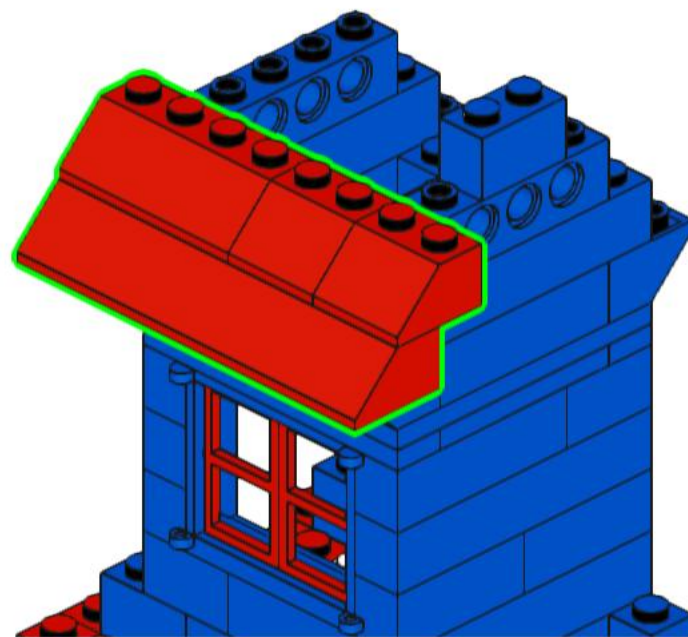
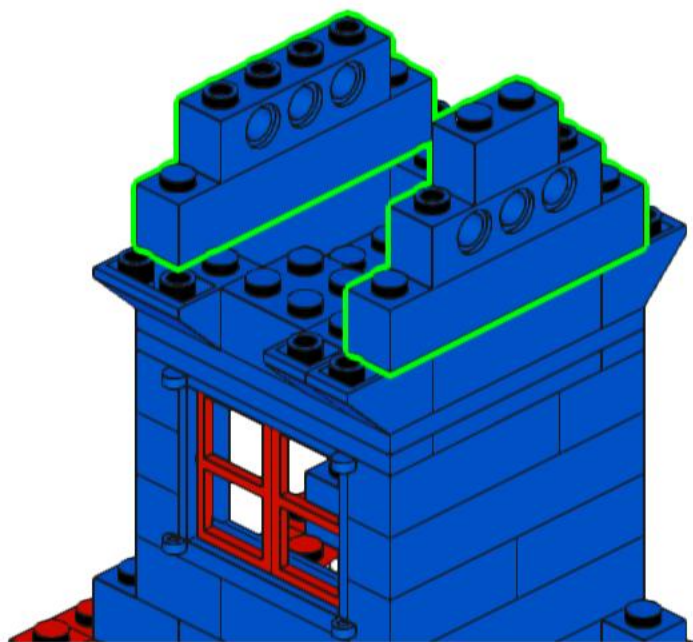
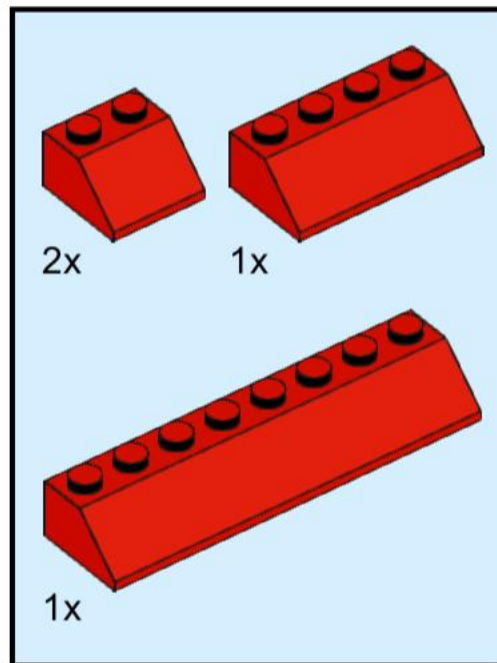
22



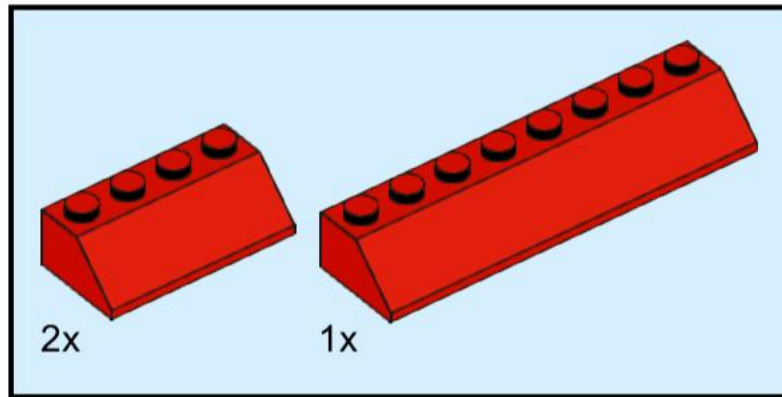
23



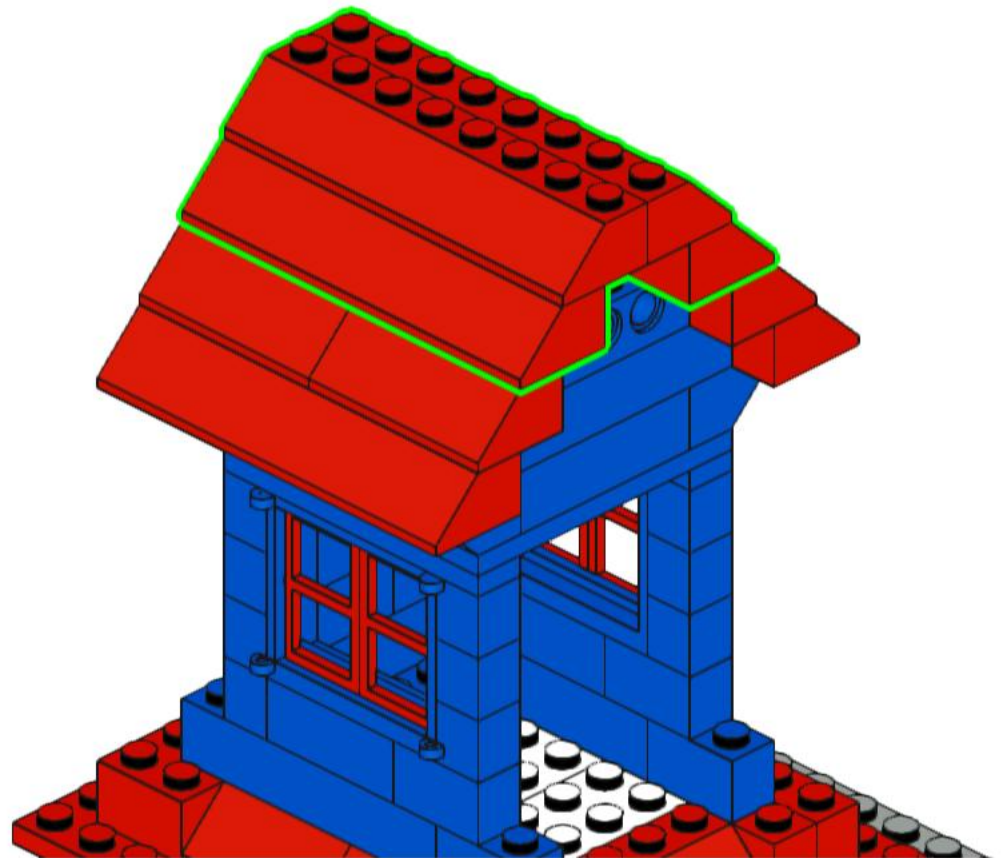
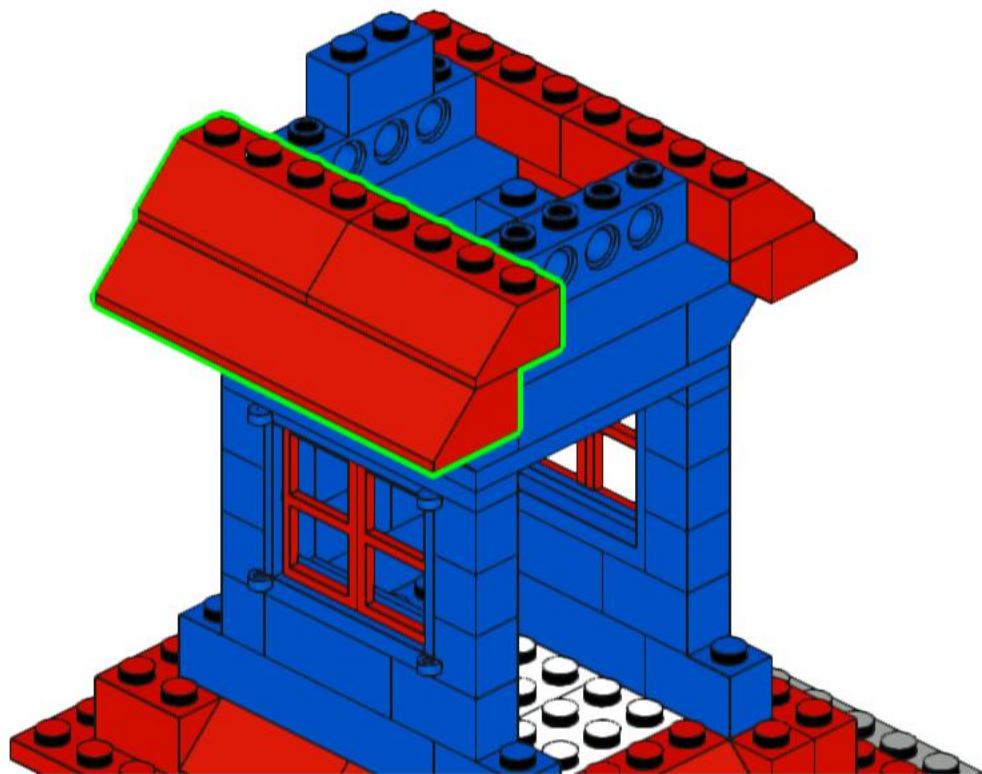
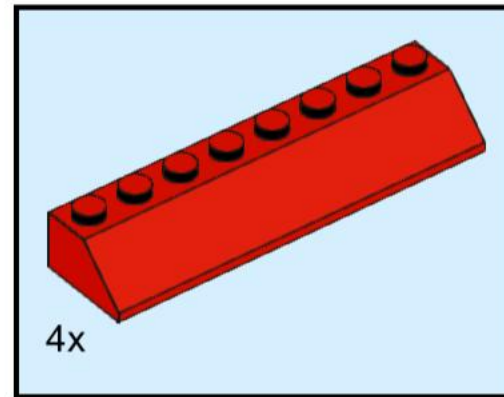
24



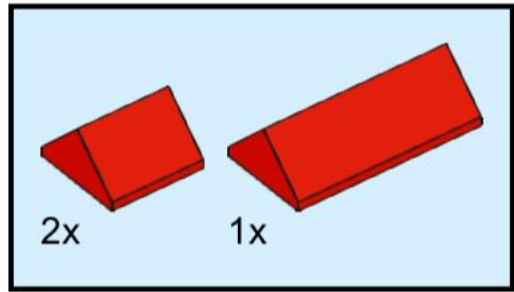
25



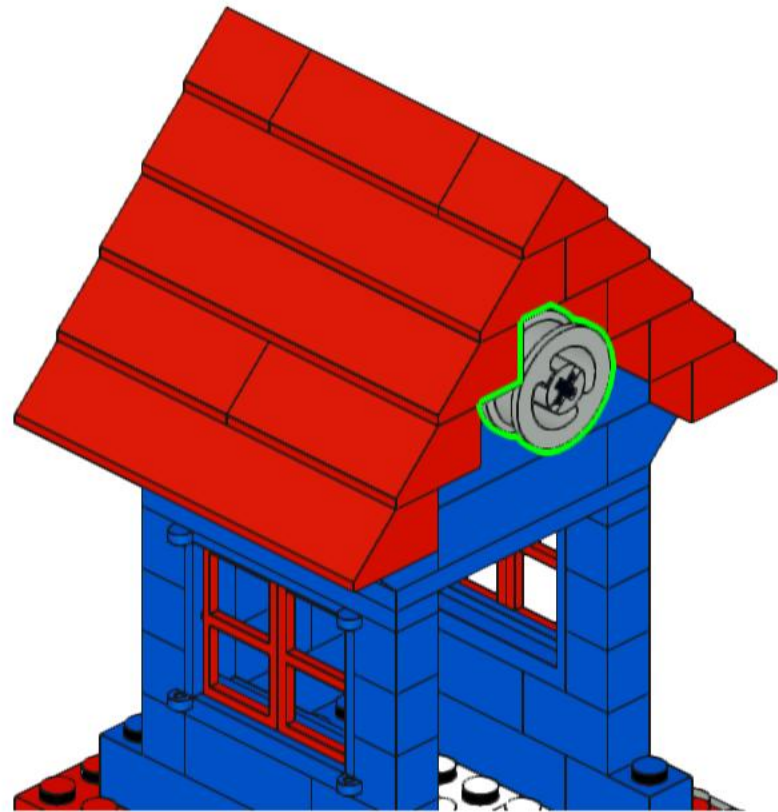
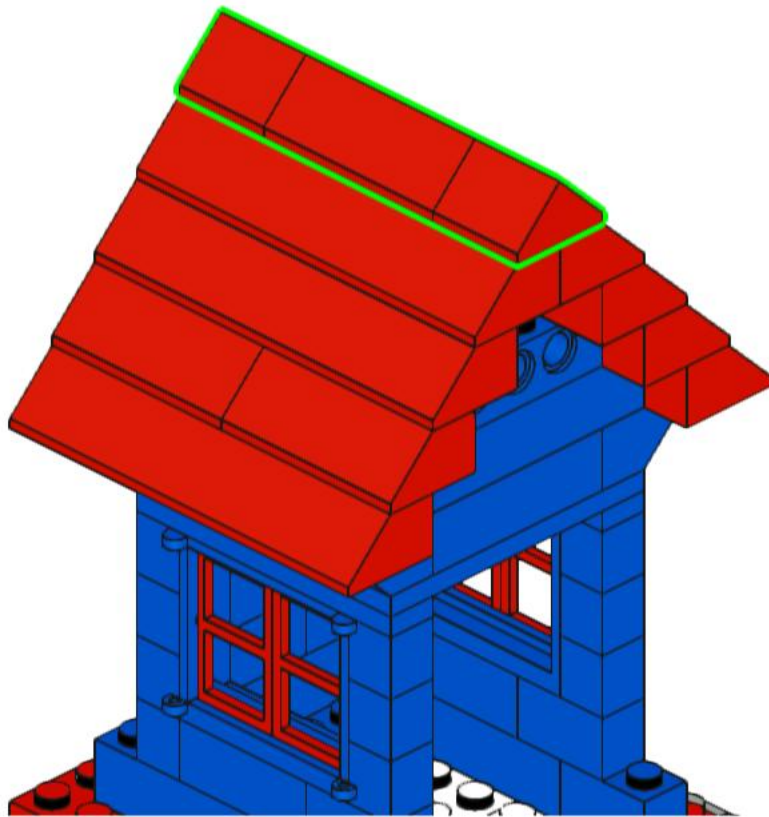
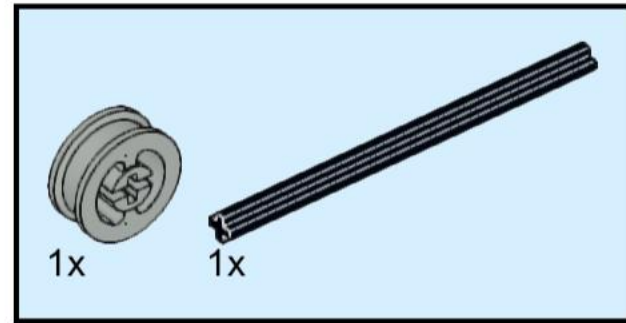
26



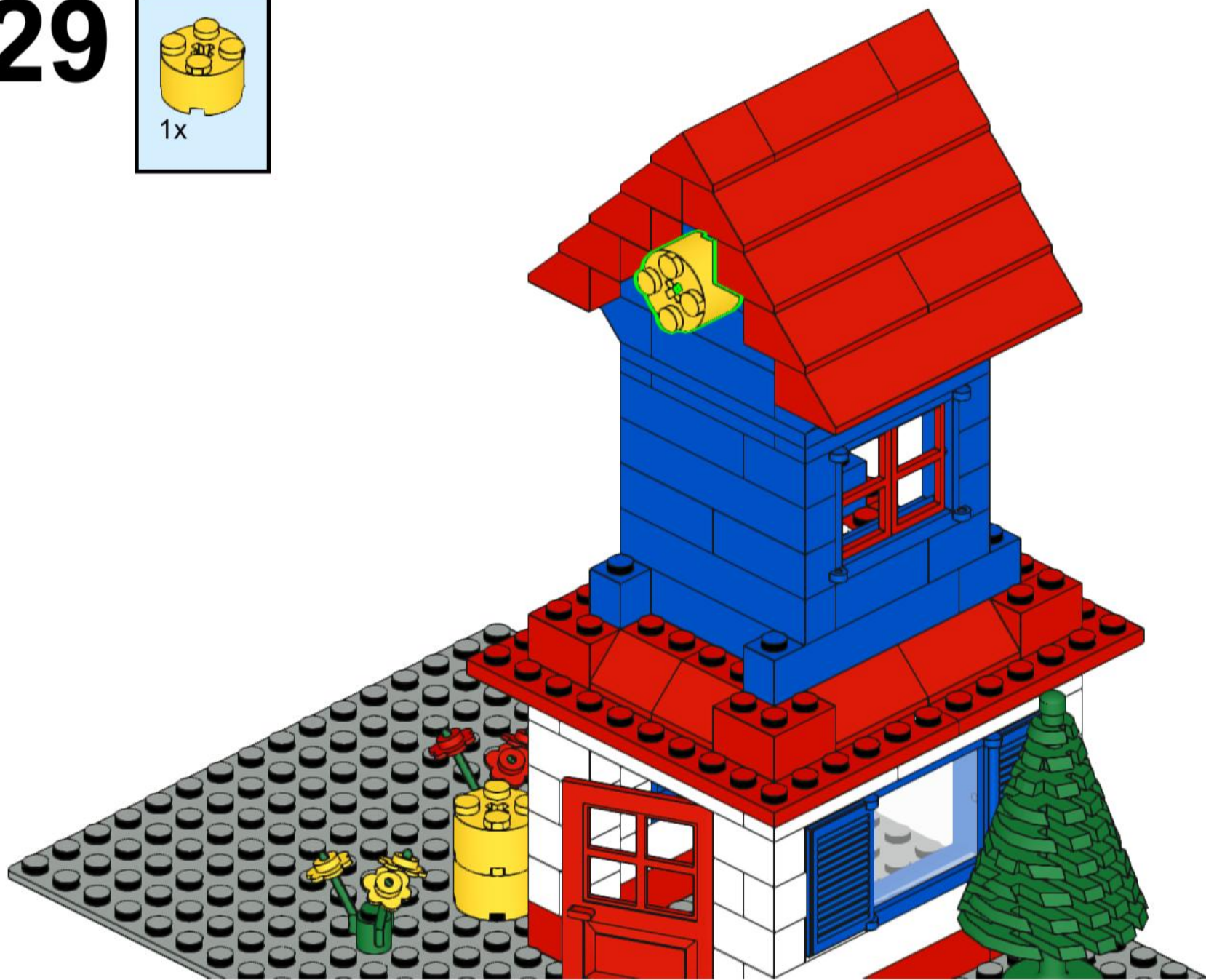
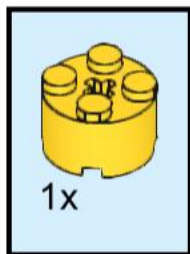
27



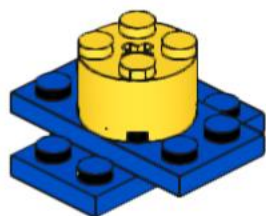
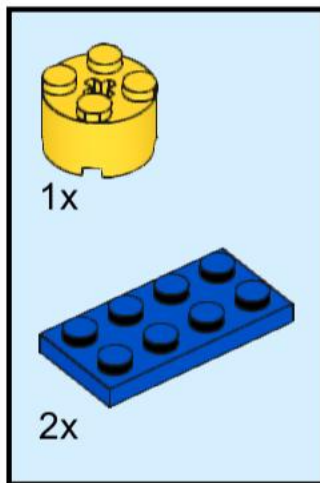
28



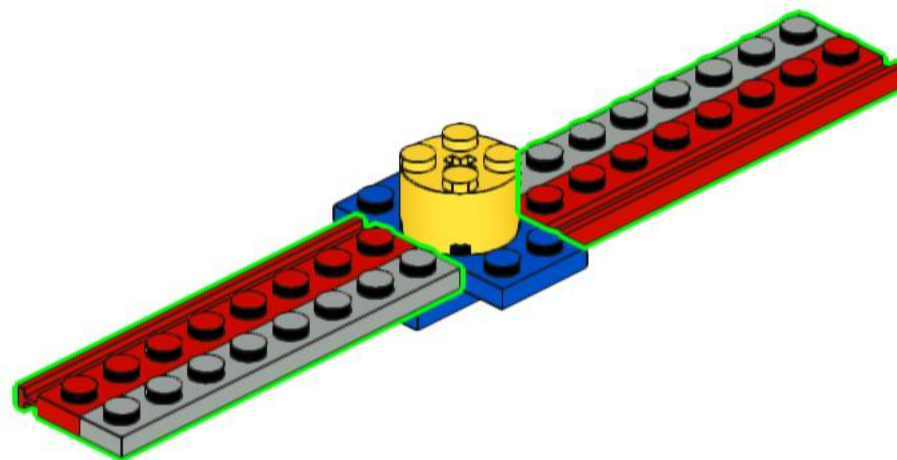
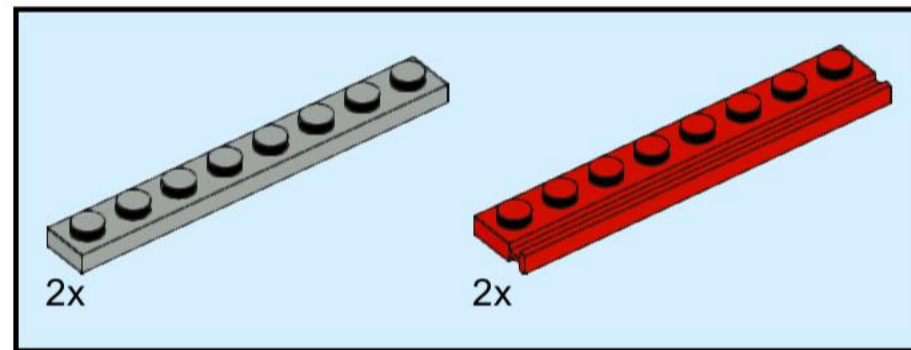
29



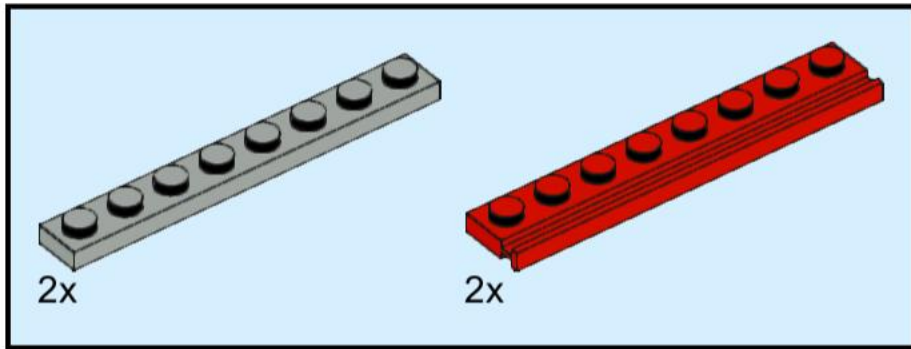
30



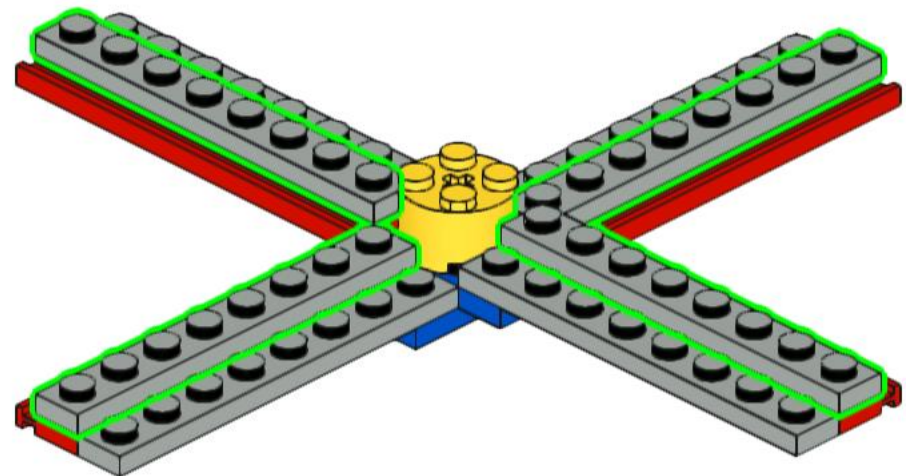
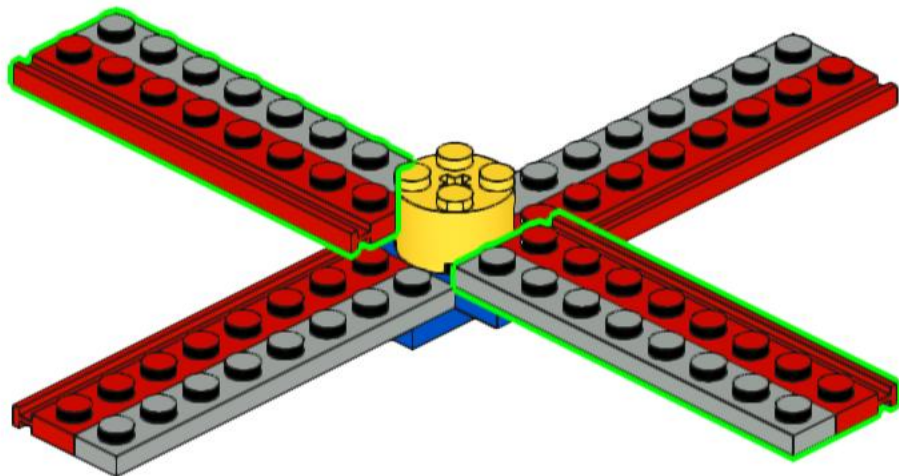
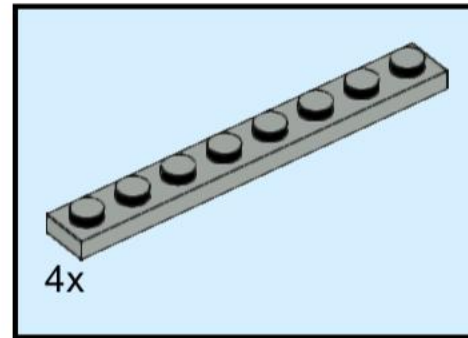
31



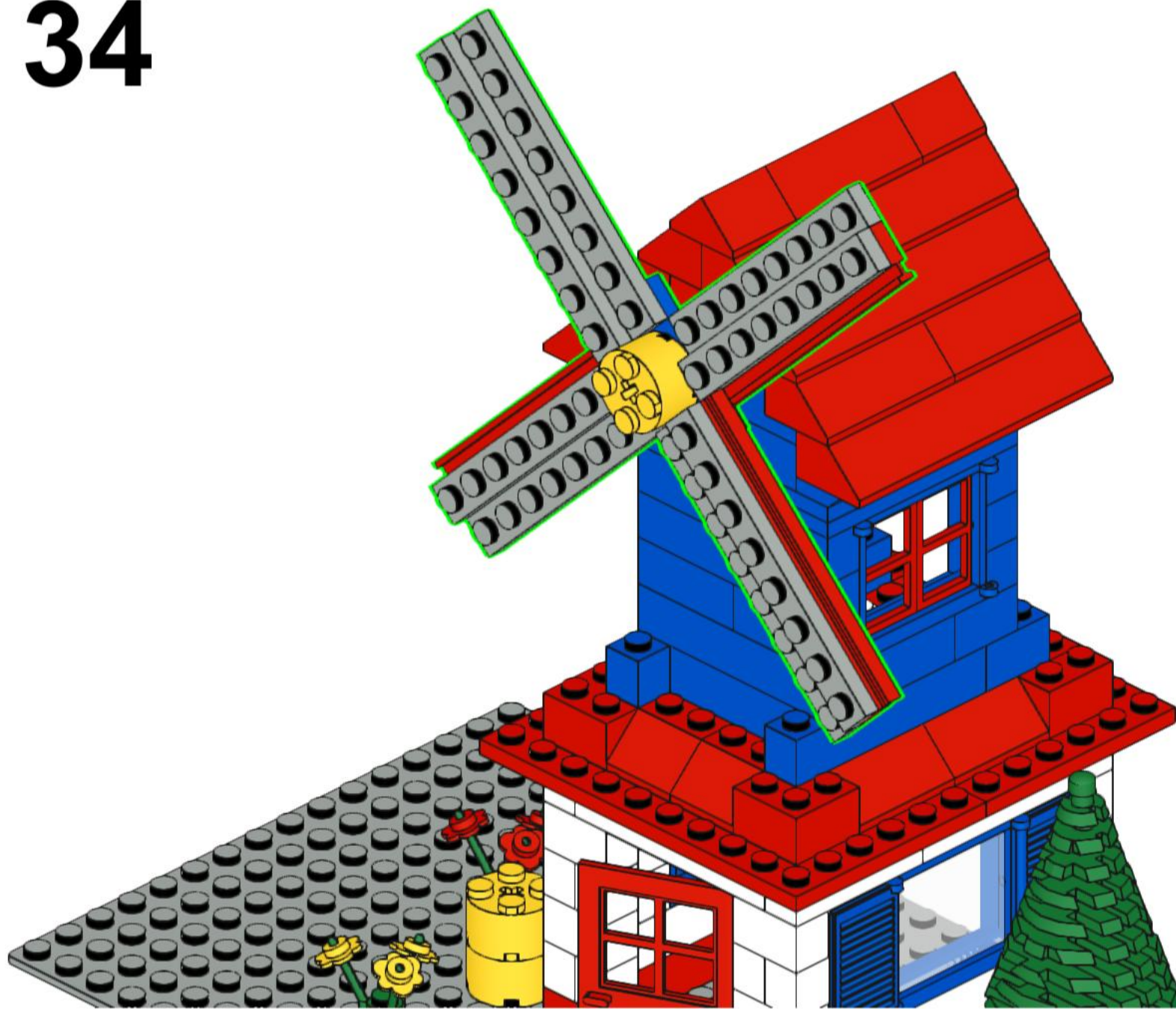
32



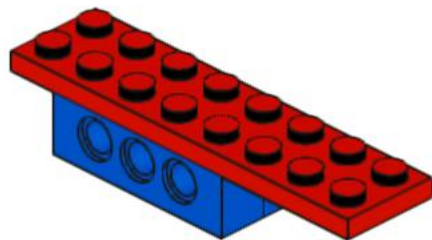
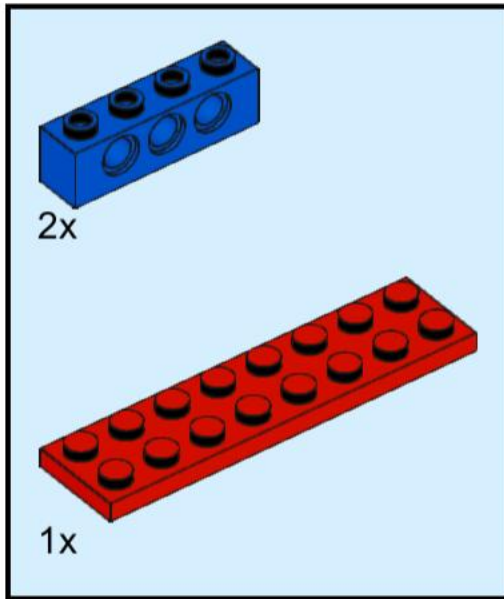
33



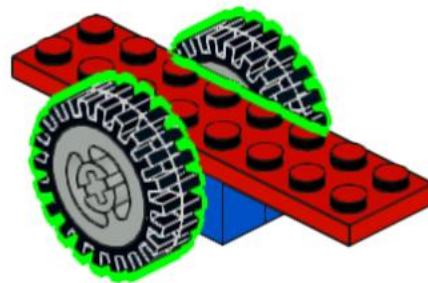
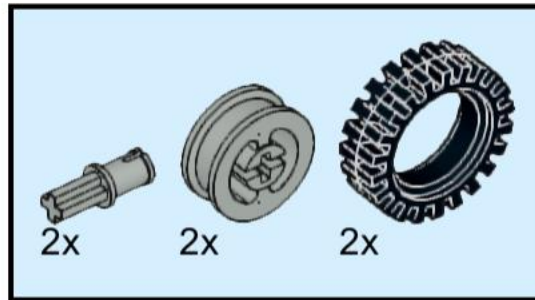
34



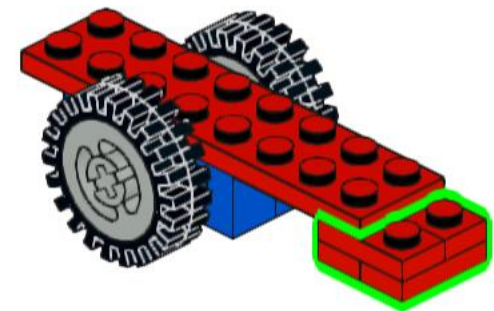
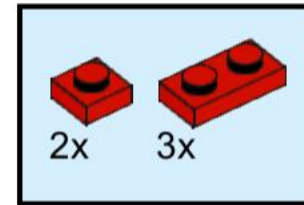
35



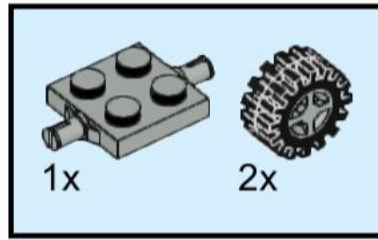
36



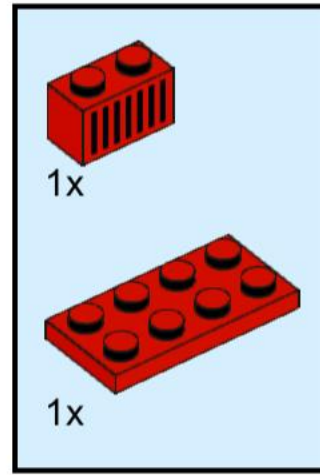
37



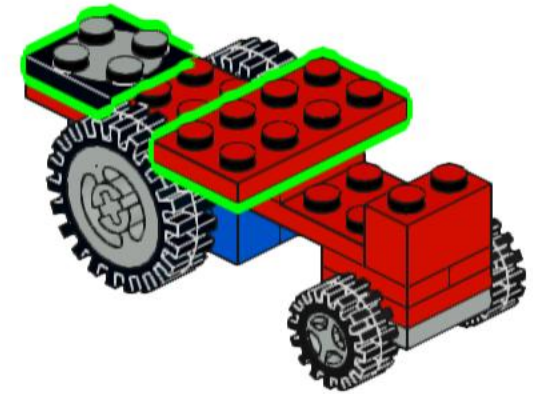
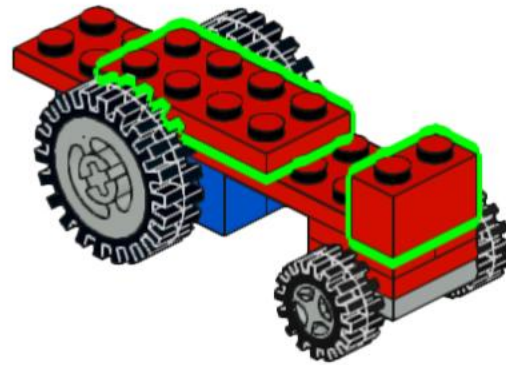
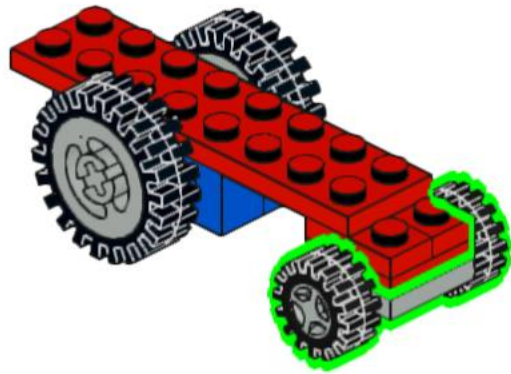
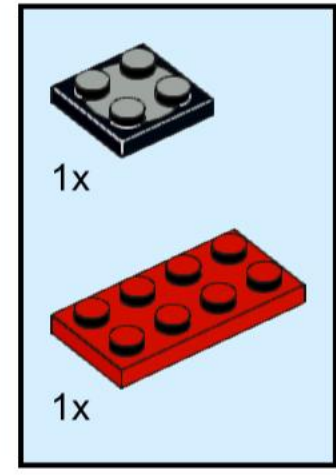
38



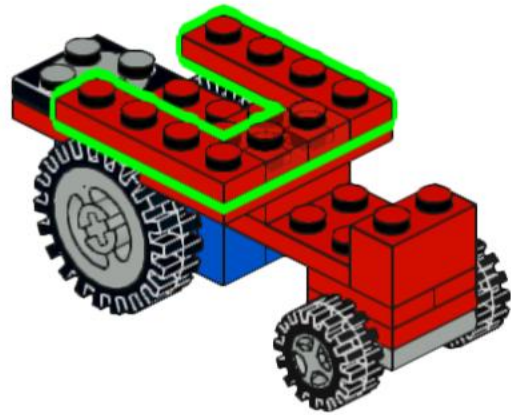
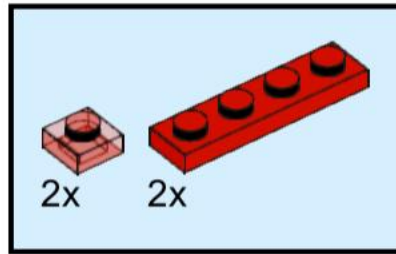
39



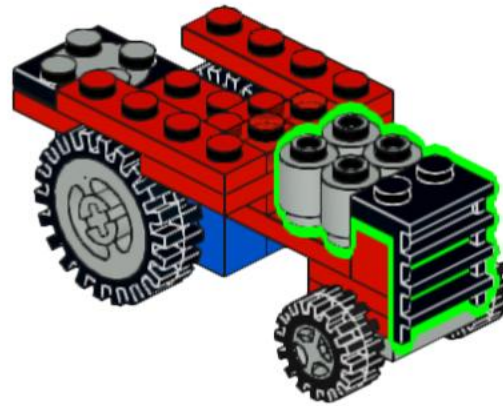
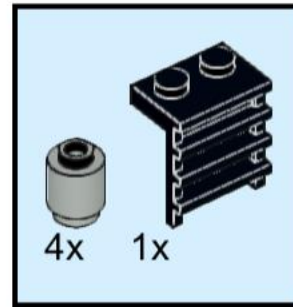
40



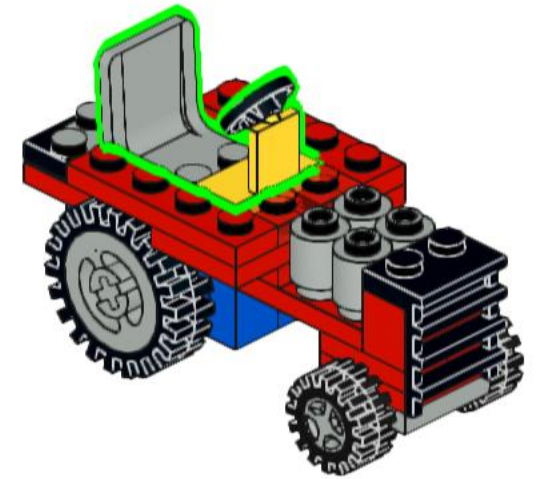
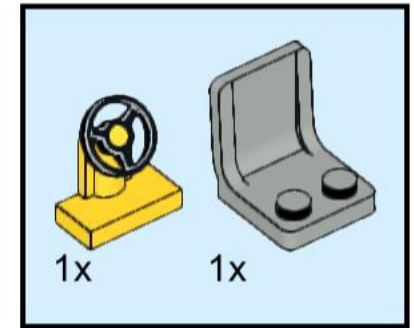
41



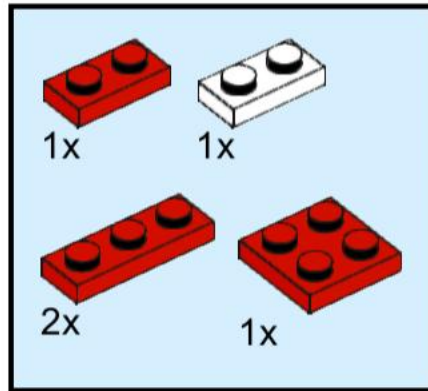
42



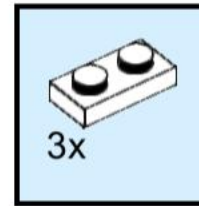
43



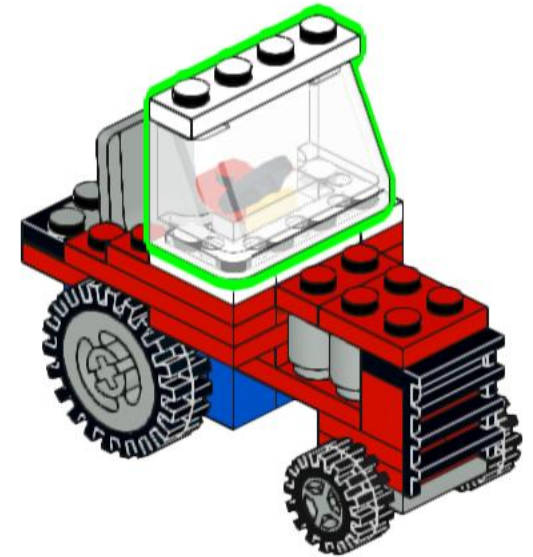
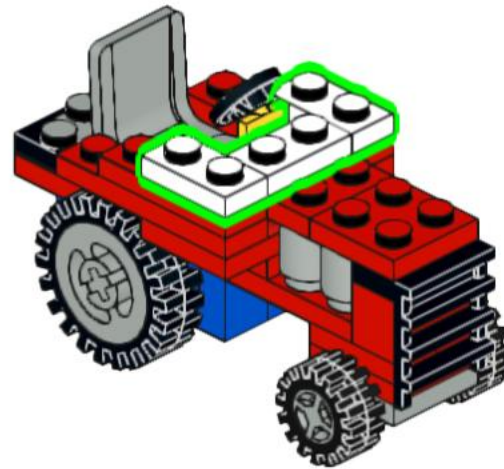
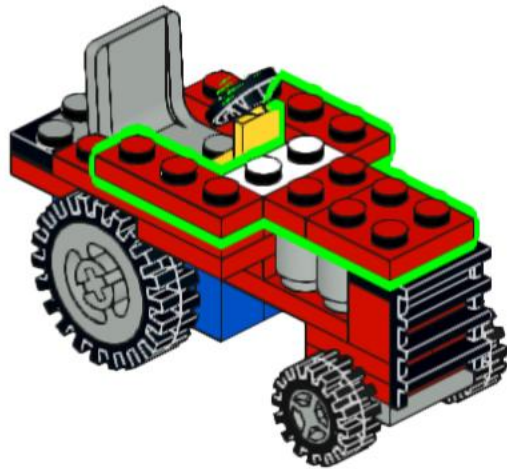
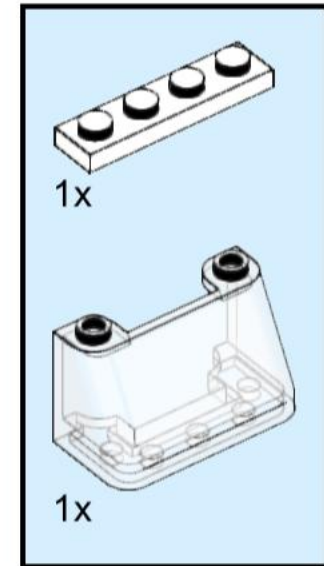
44



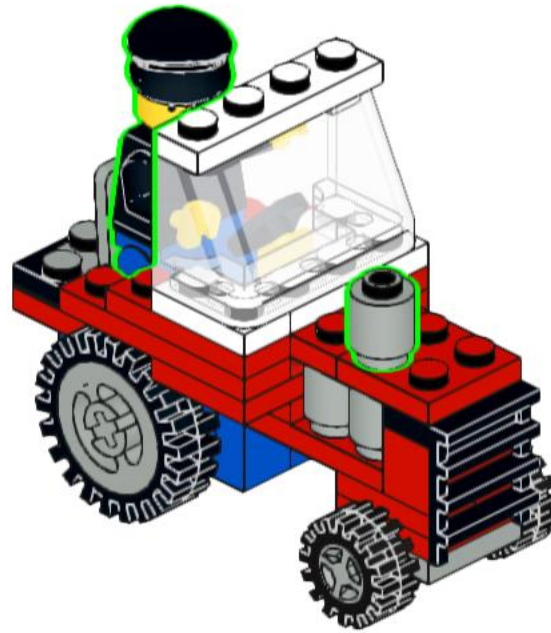
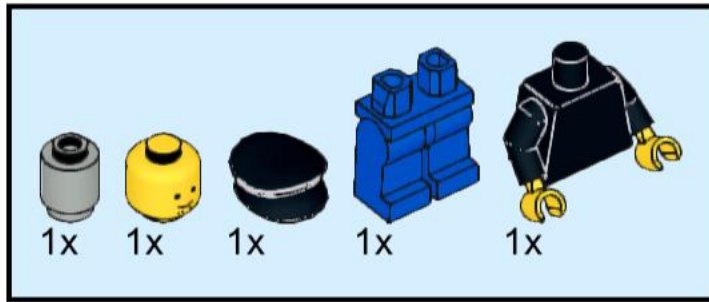
45



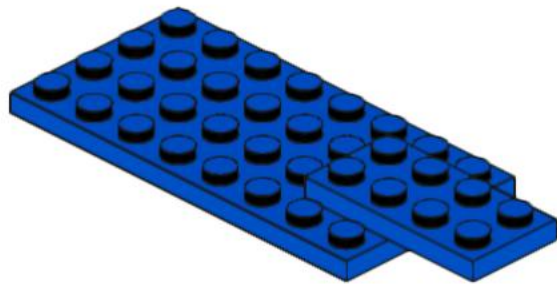
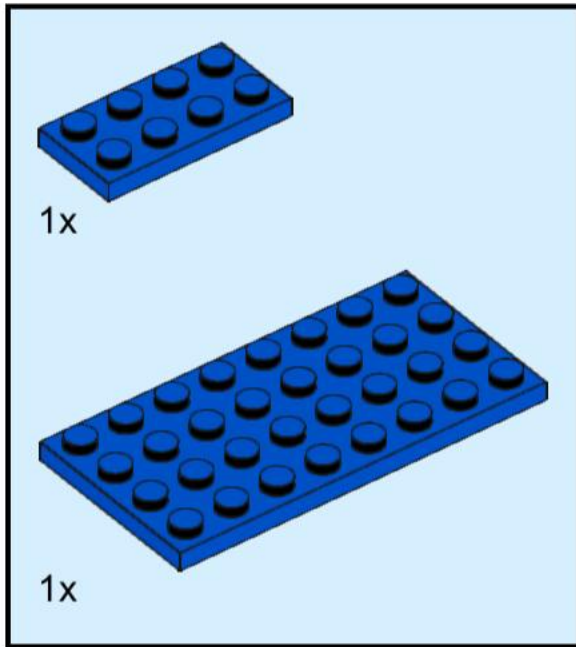
46



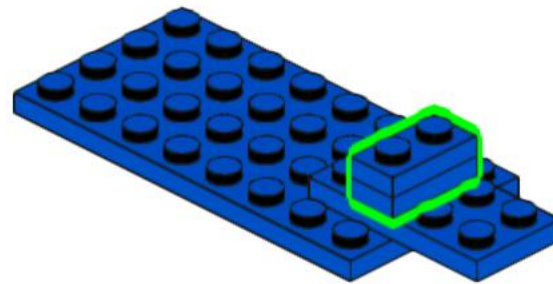
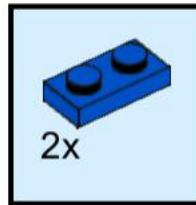
47



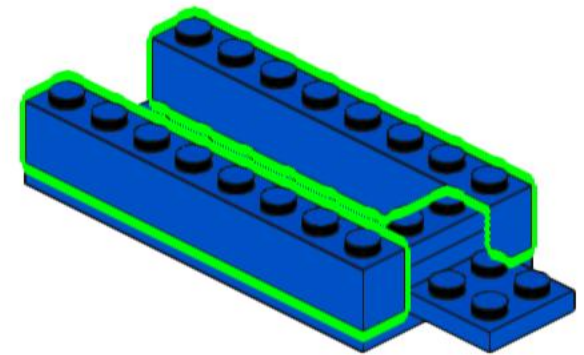
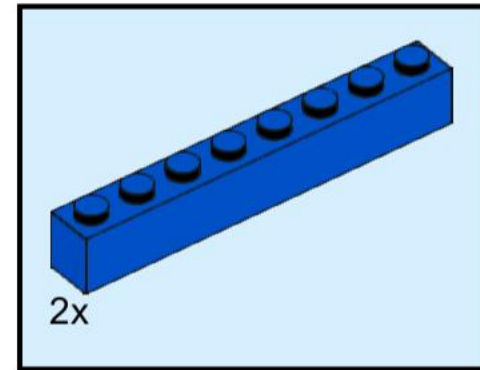
48



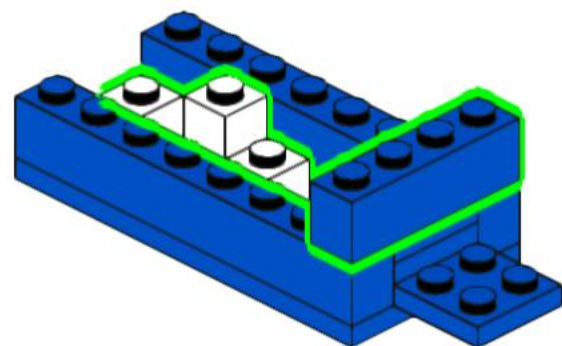
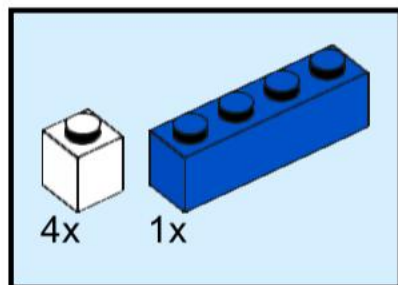
49



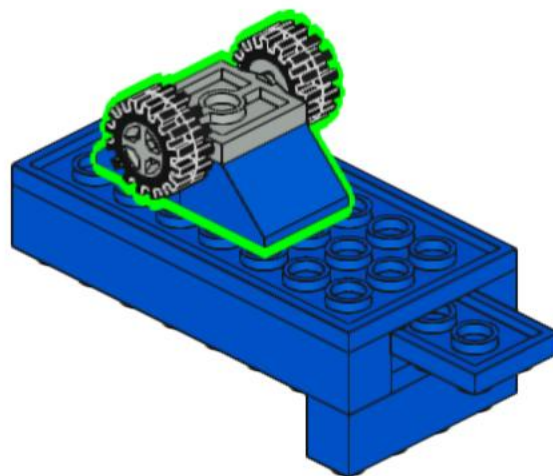
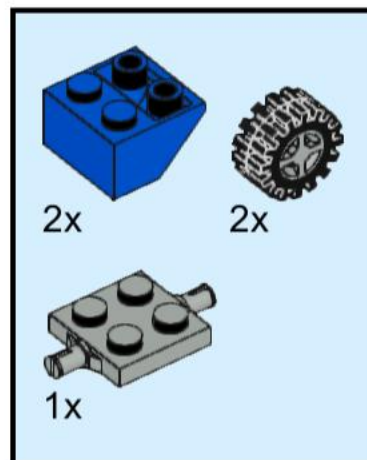
50



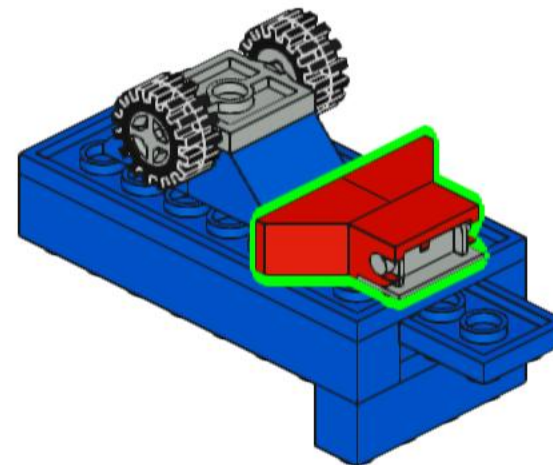
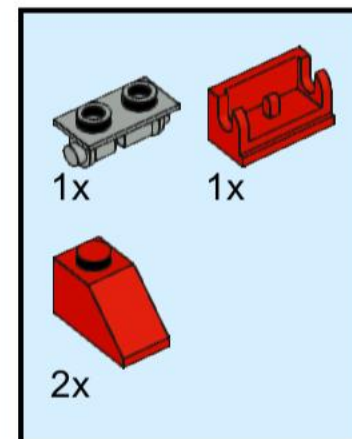
51



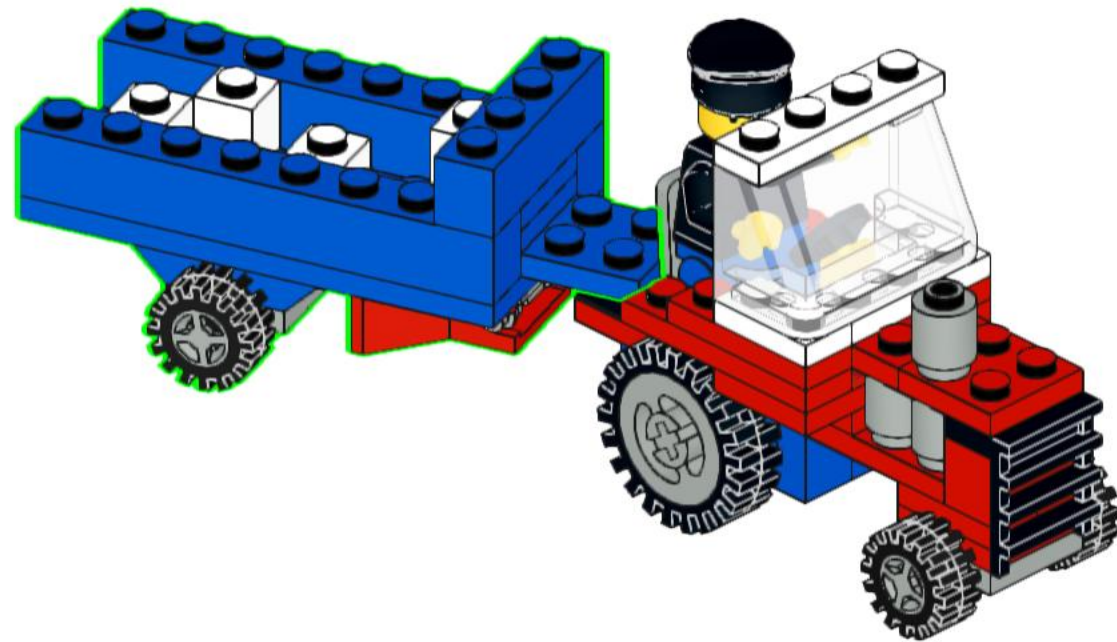
52



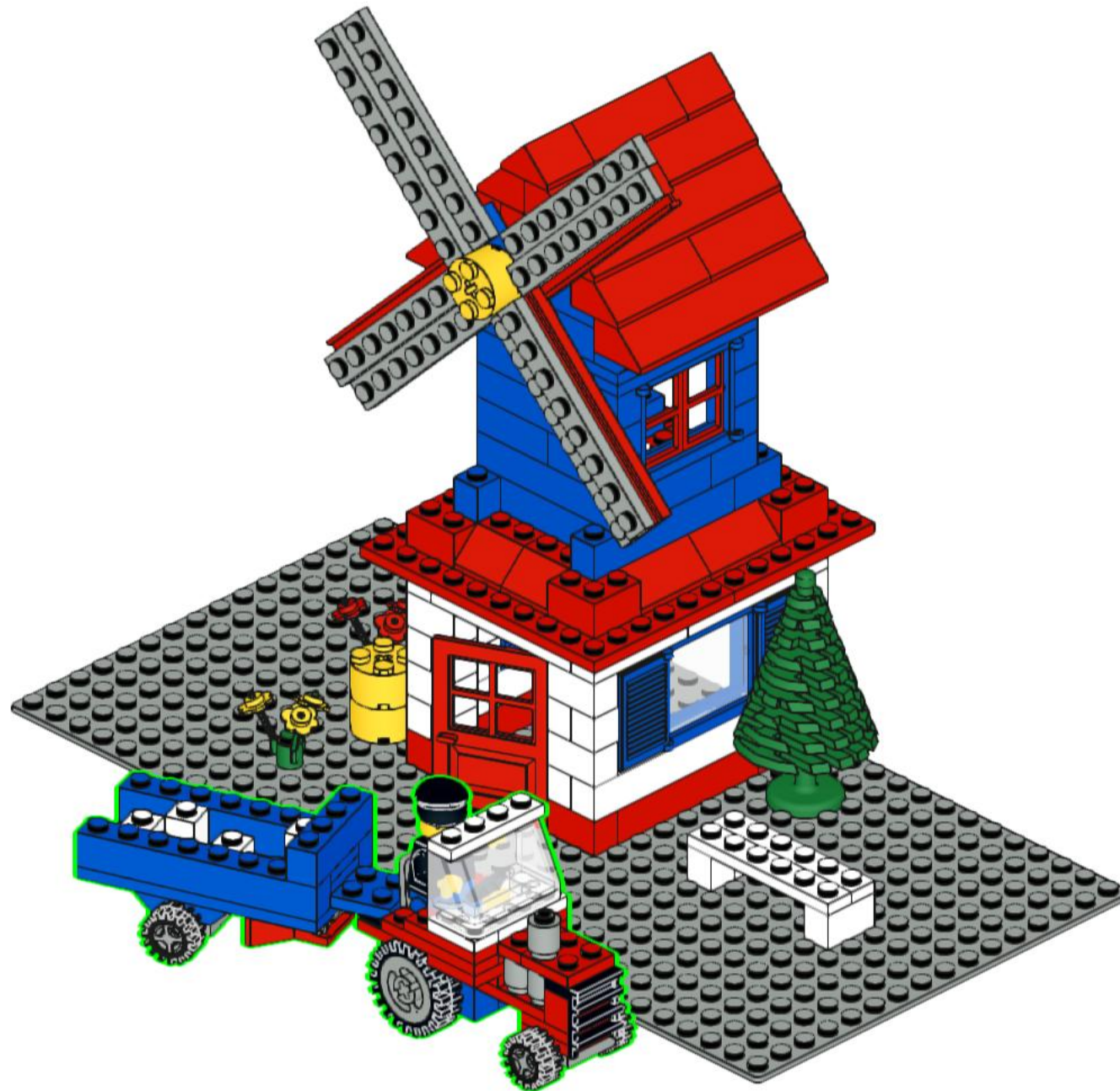
53



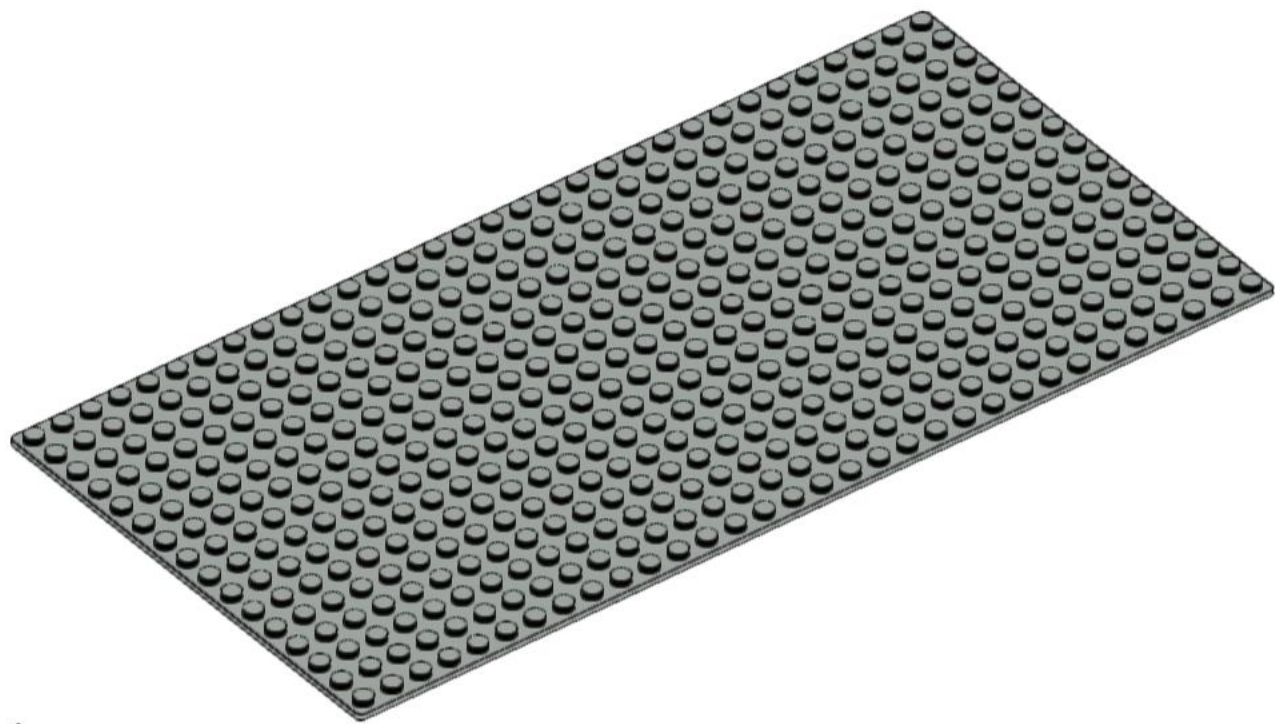
54



55



- 1x 3624 Black
- 1x 3680c01 Black
- 1x 4175 Black
- 1x 973c18 Black
- 2x 3483 Black
- 1x 3707 Black
- 5x 3062b Light Gray
- 2x 3749 Light Gray
- 1x 3938 Light Gray
- 4x 4624c02 Light Gray
- 3x 3482 Light Gray
- 1x 4079 Light Gray
- 2x 4600 Light Gray



- 8x 3460 Light Gray
- 1x 3857 Light Gray

- 15x 3005 White
- 4x 3023 White
- 10x 3004 White
- 2x 3003 White

- 7x 3622 White
- 1x 3710 White
- 2x 3010 White
- 2x 3001 White
- 2x 3666 White
- 3x 3009 White
- 2x 3008 White

- 2x 3024 Red
- 3x 3742 Red
- 4x 3005 Red
- 4x 3023 Red
- 1x 3937 Red
- 1x 3004p06 Red
- 2x 3040 Red

