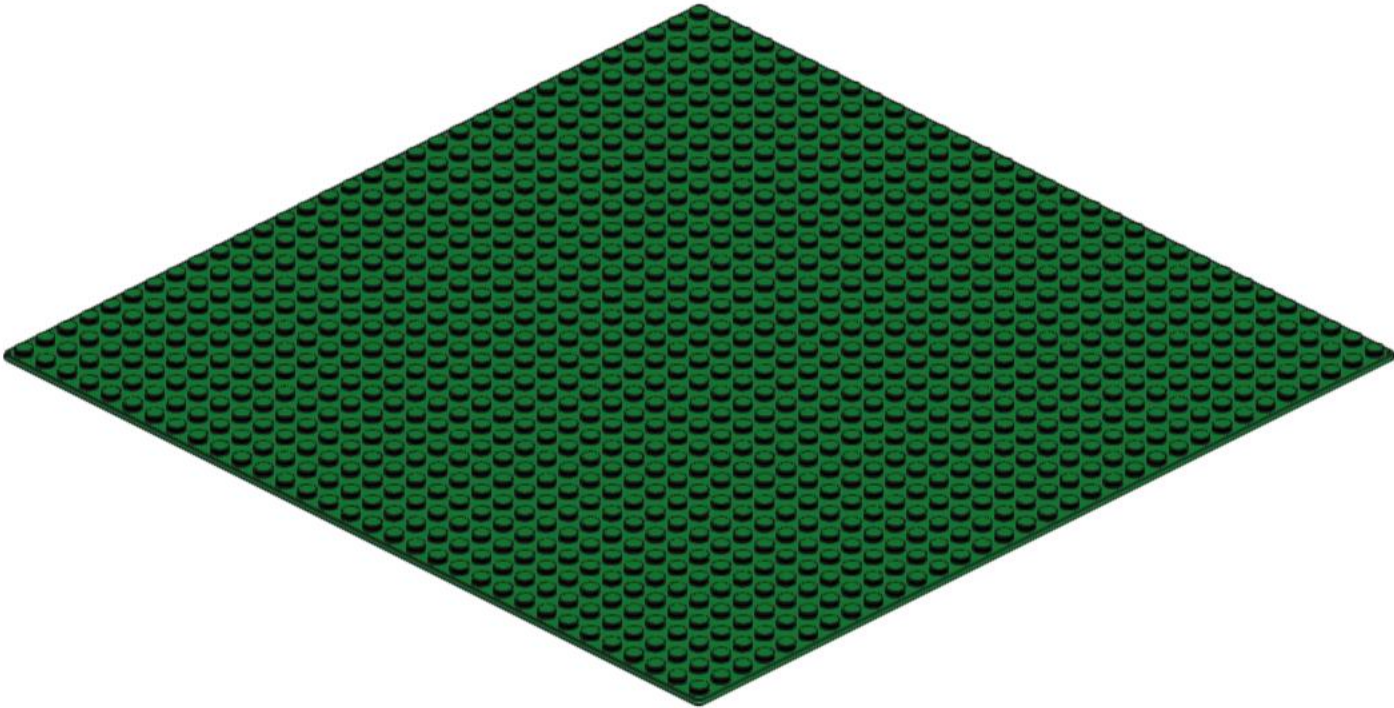
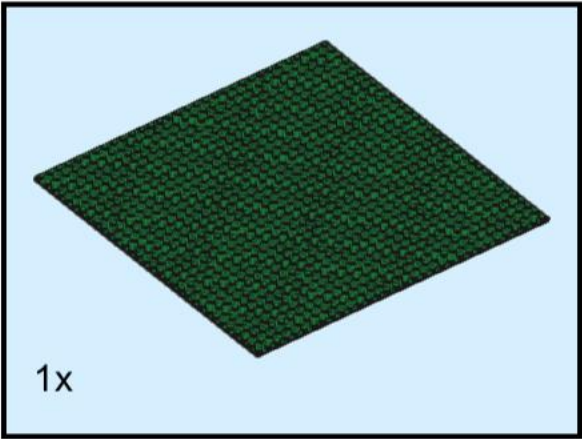
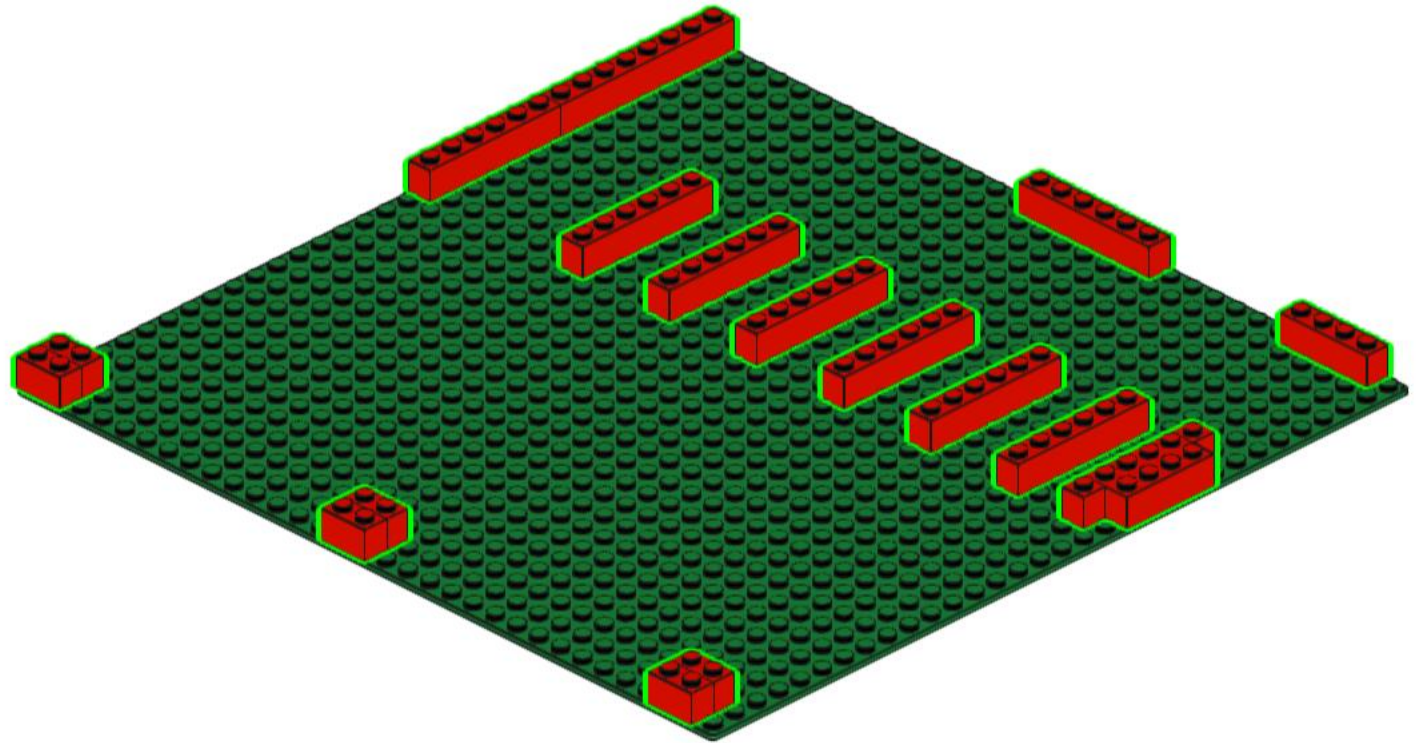
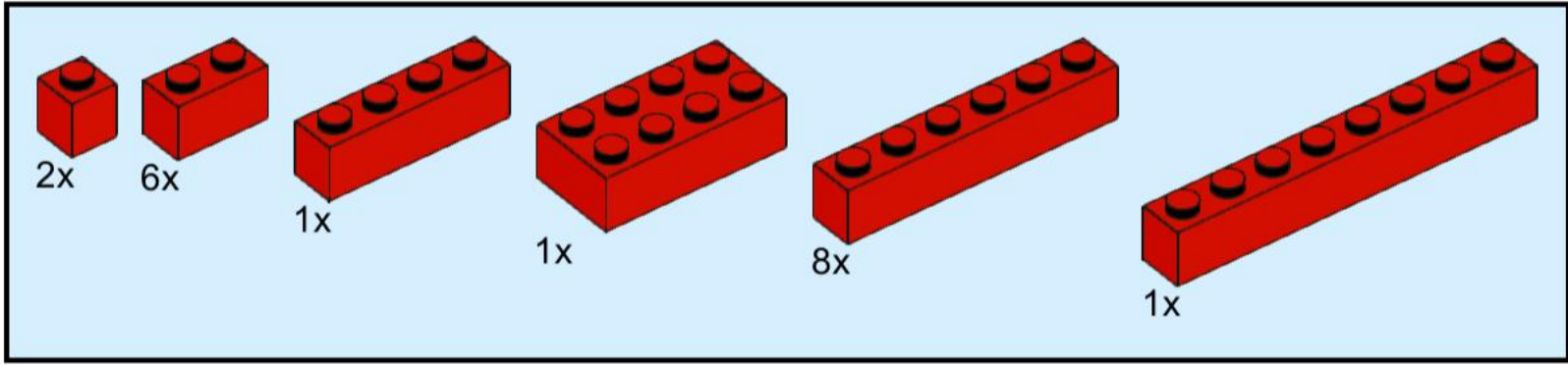


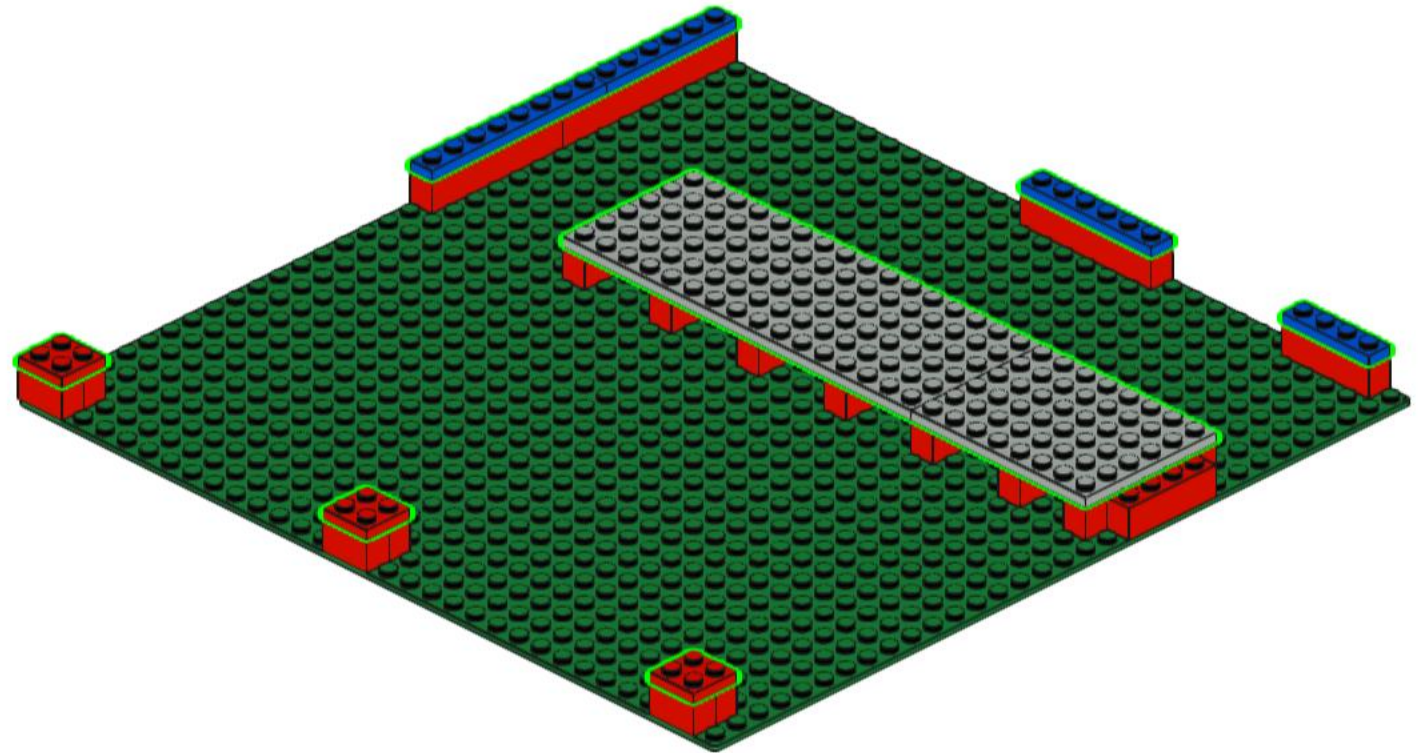
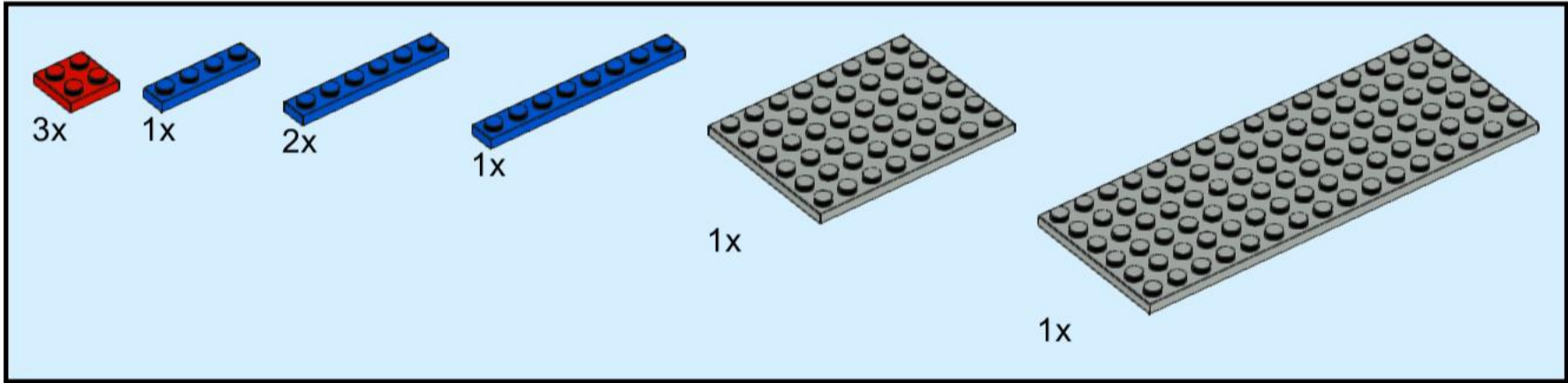
1



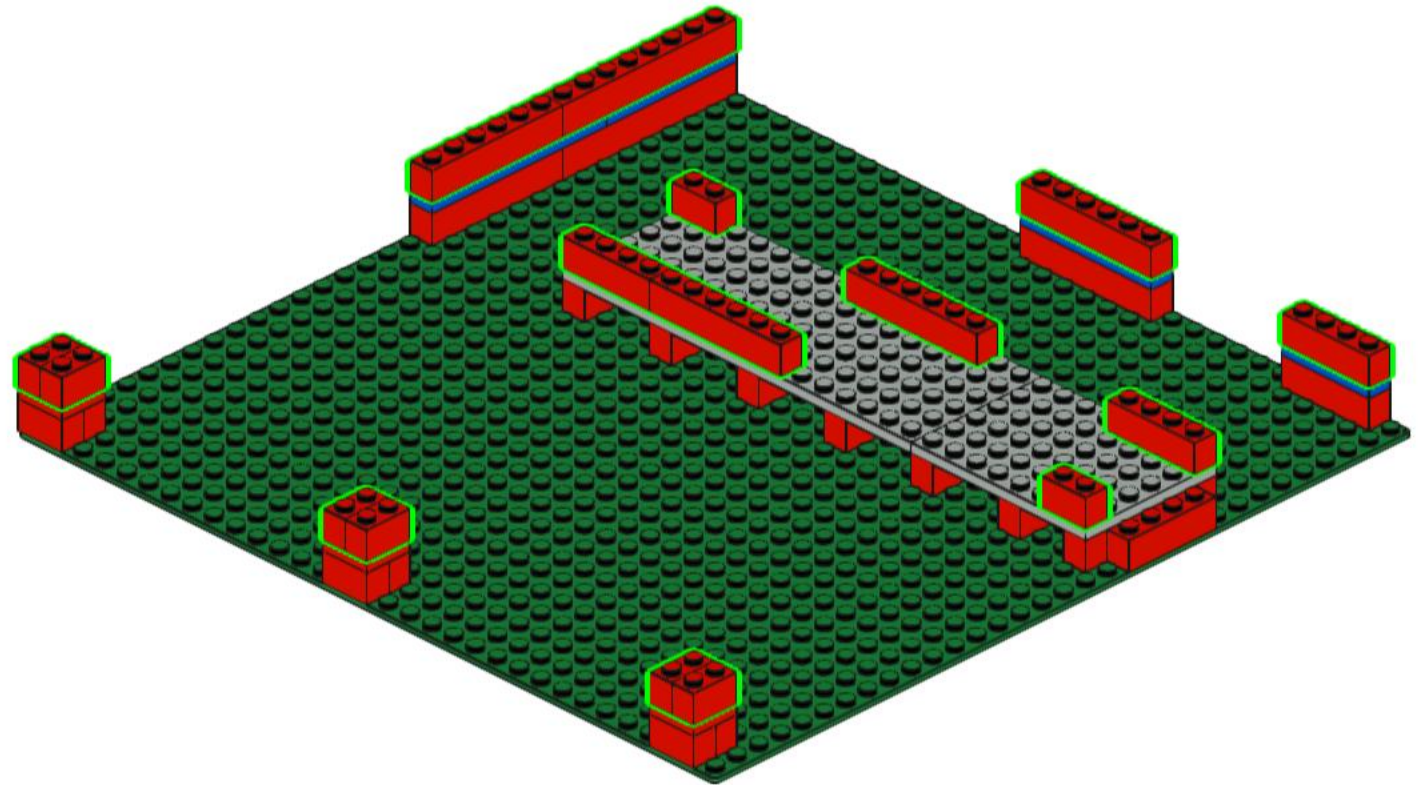
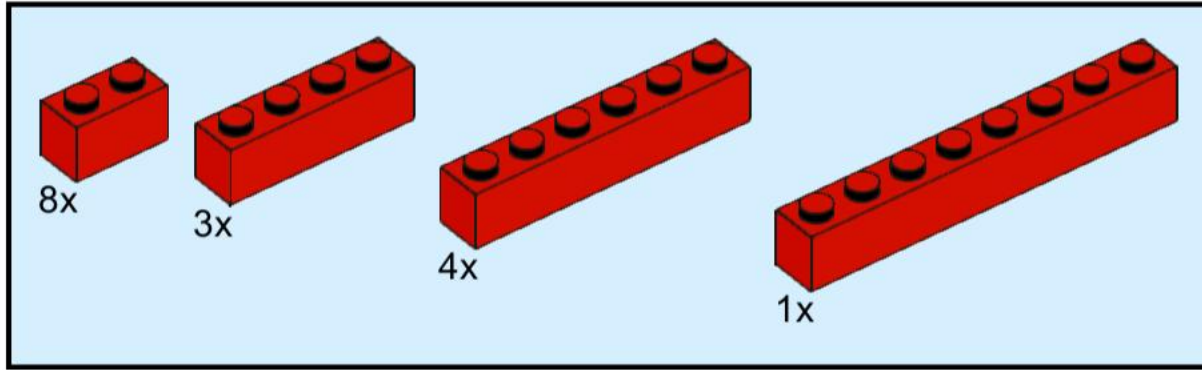
2



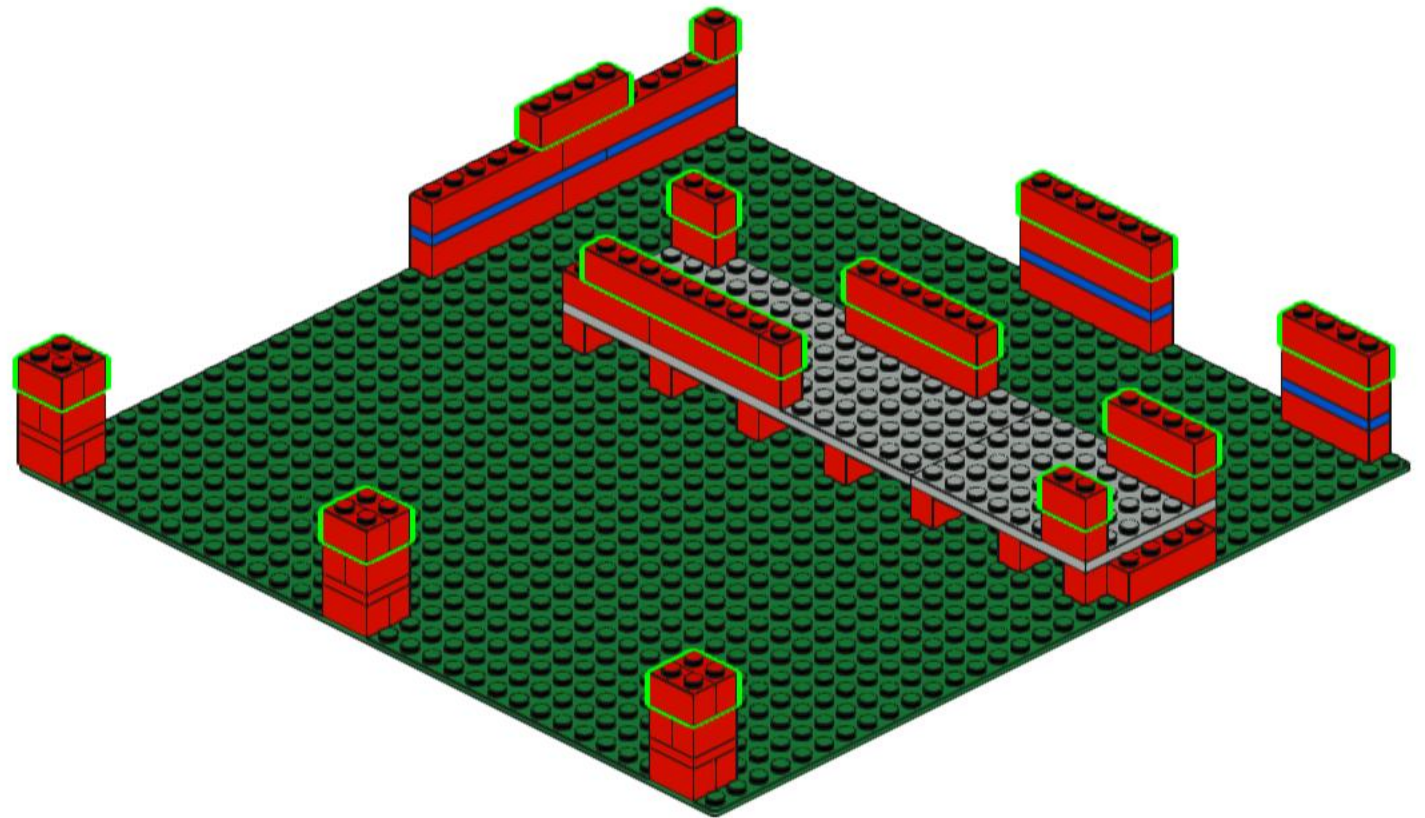
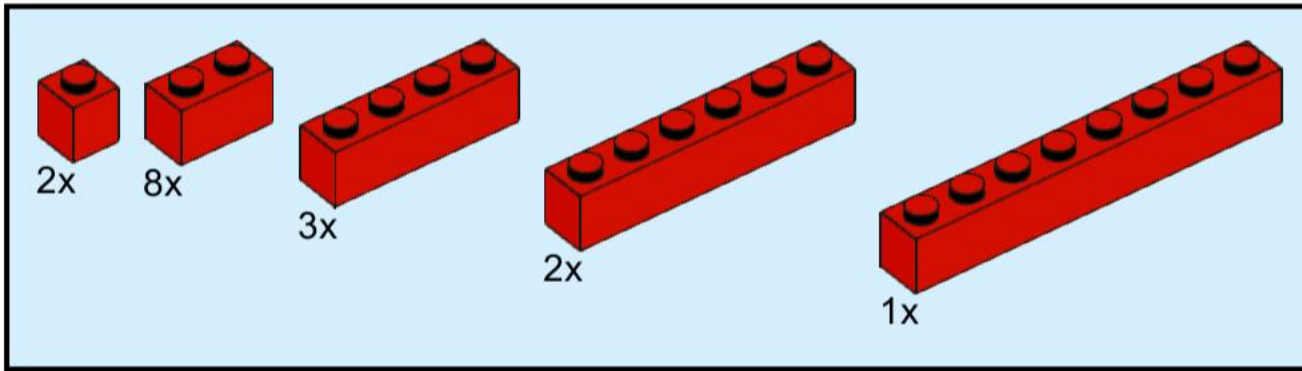
3



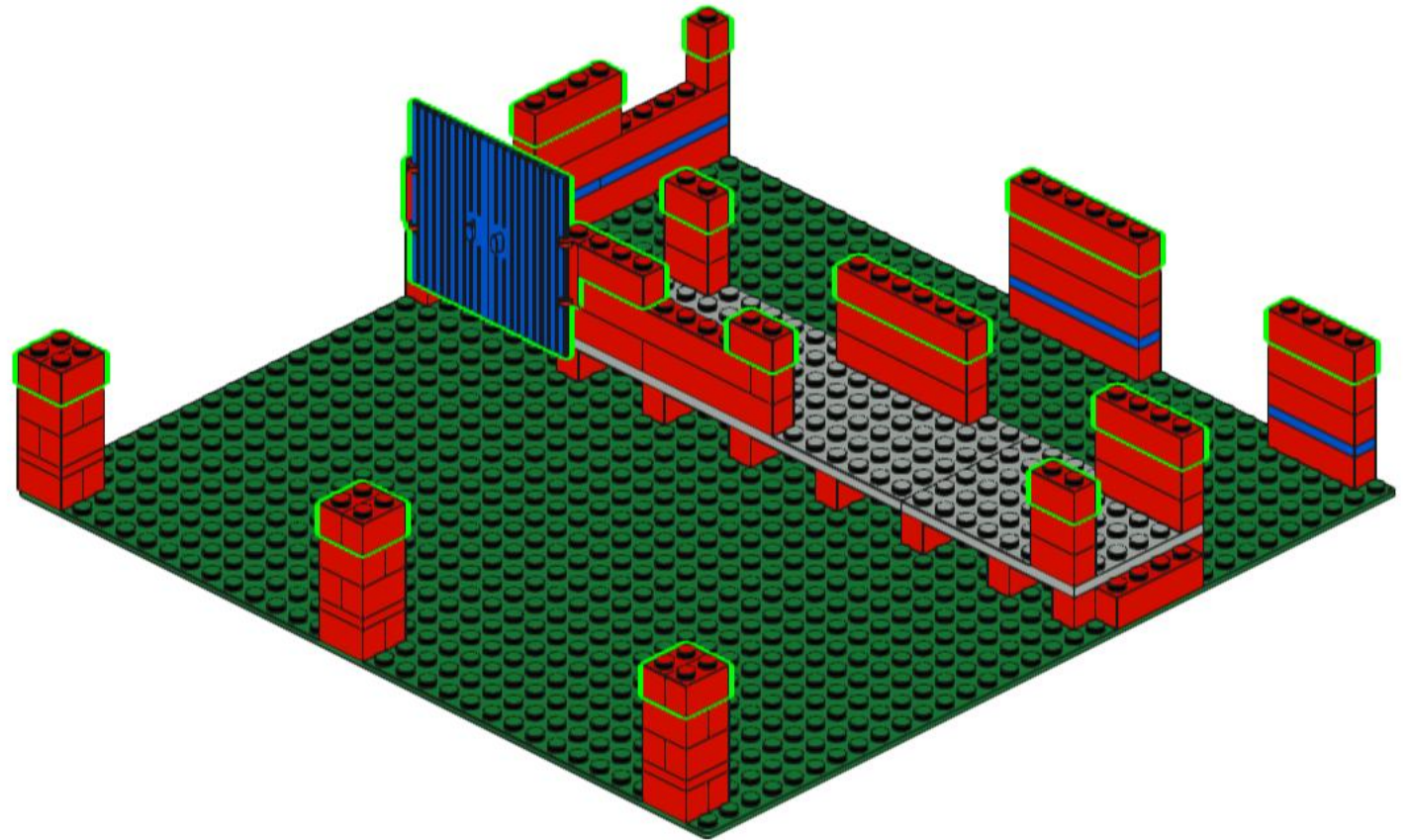
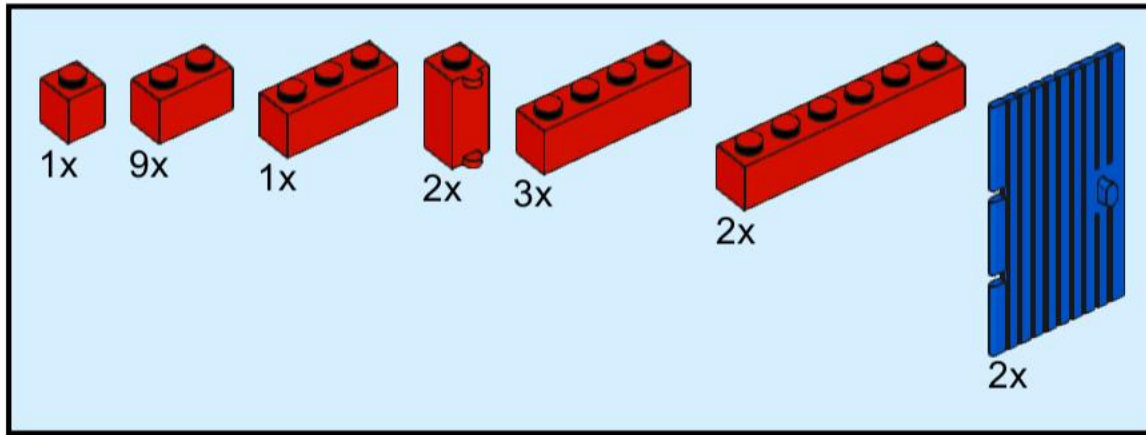
4



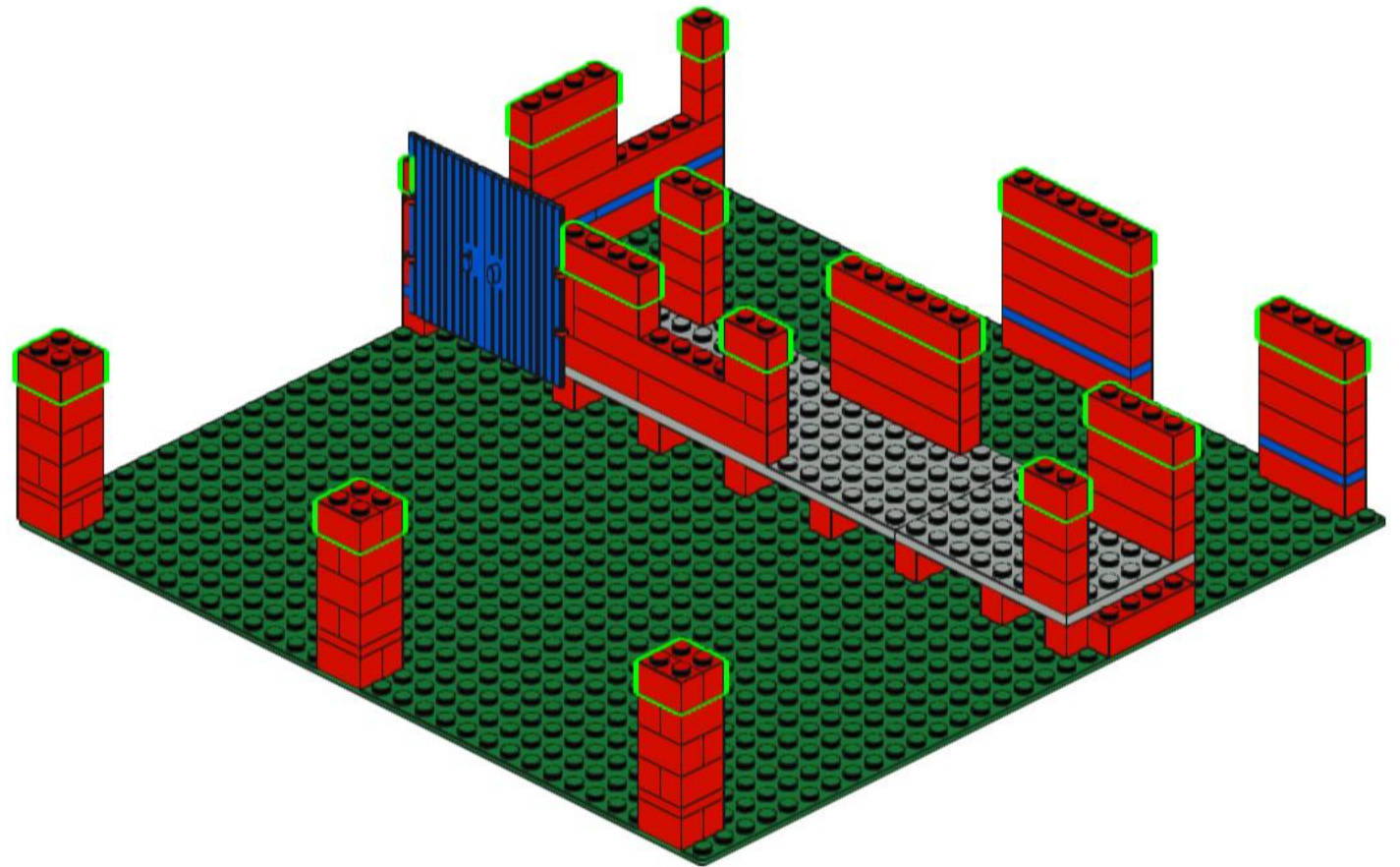
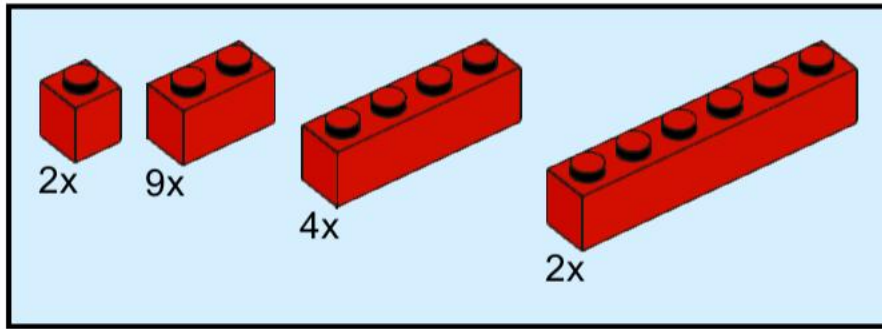
5



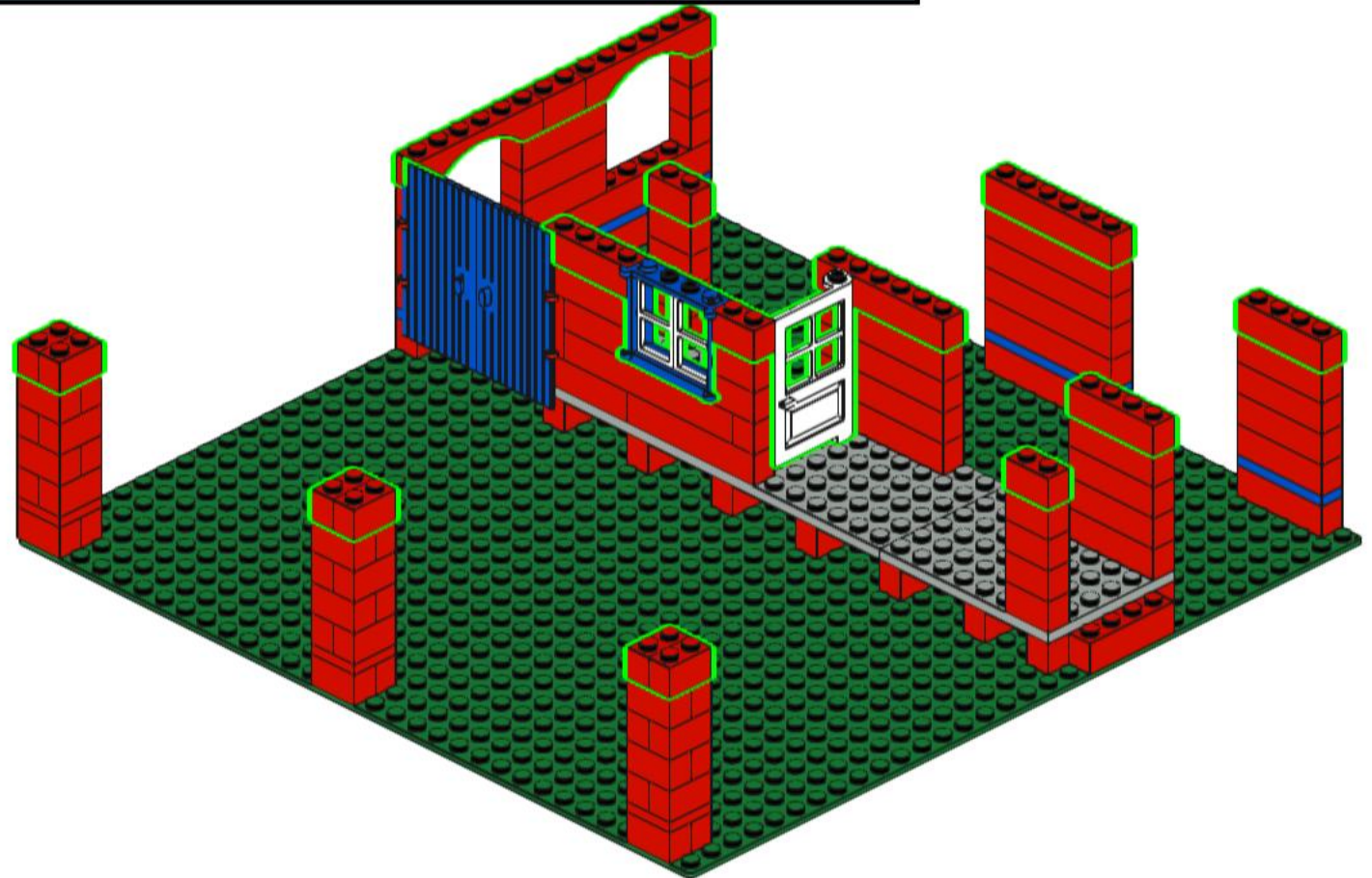
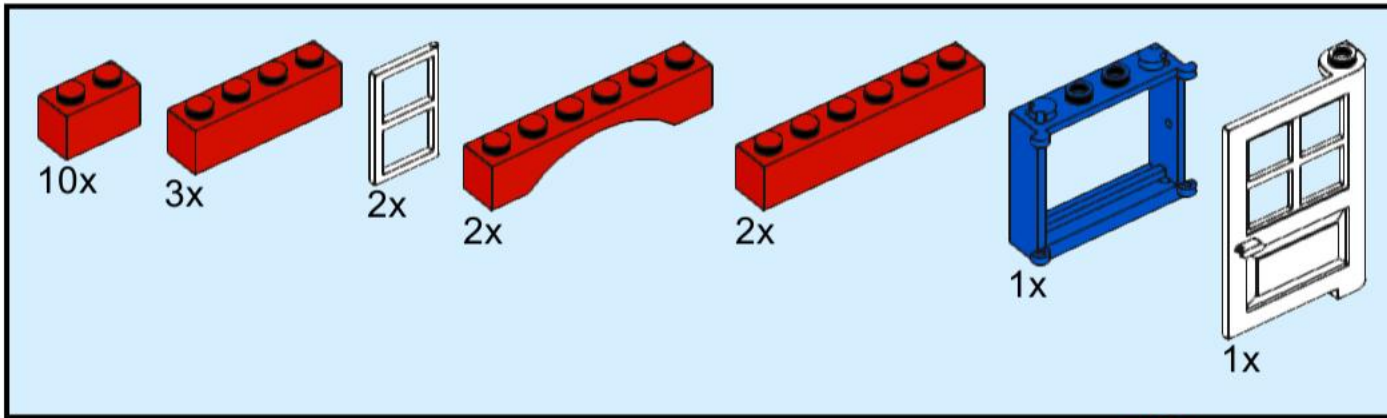
6



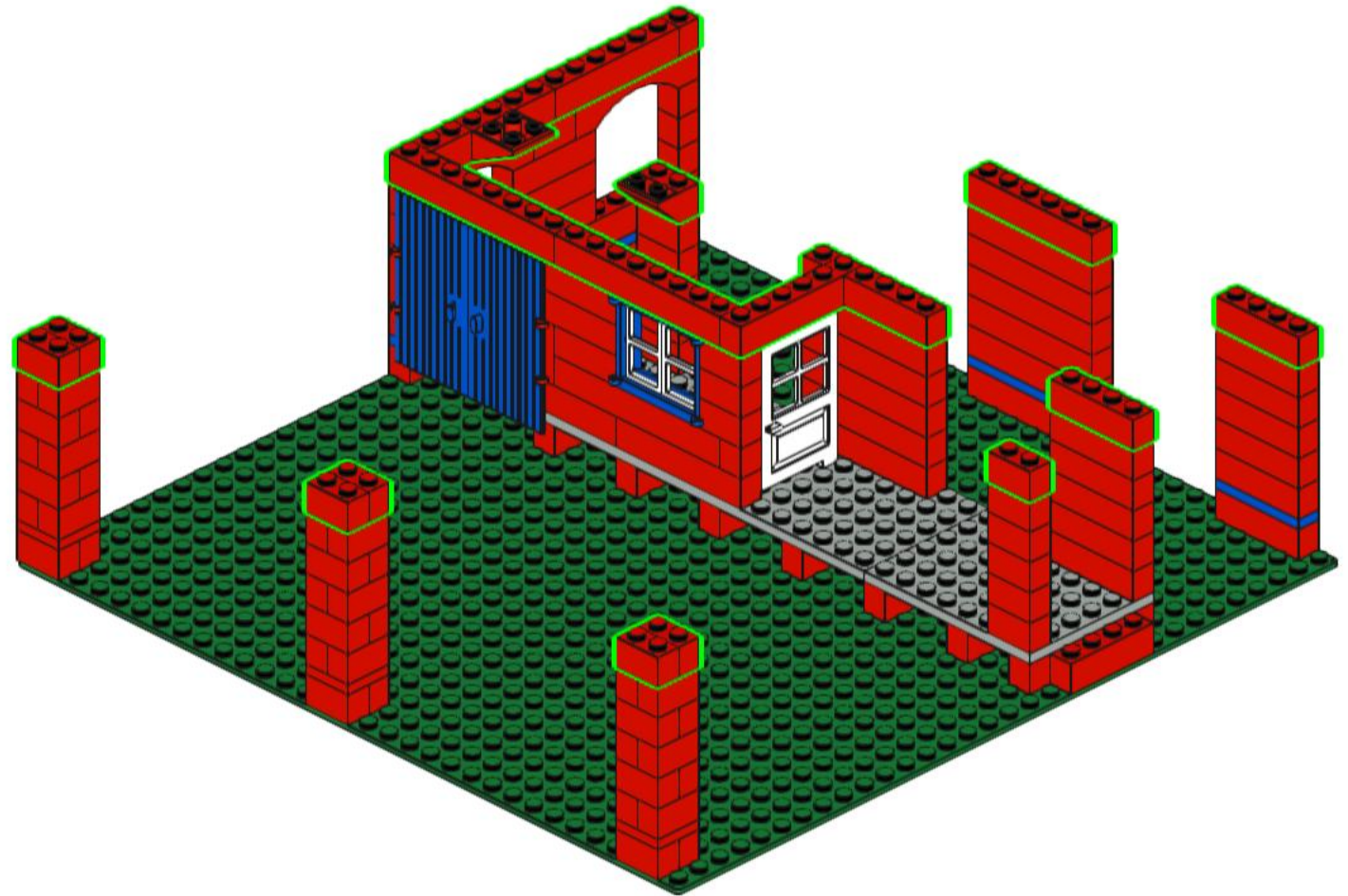
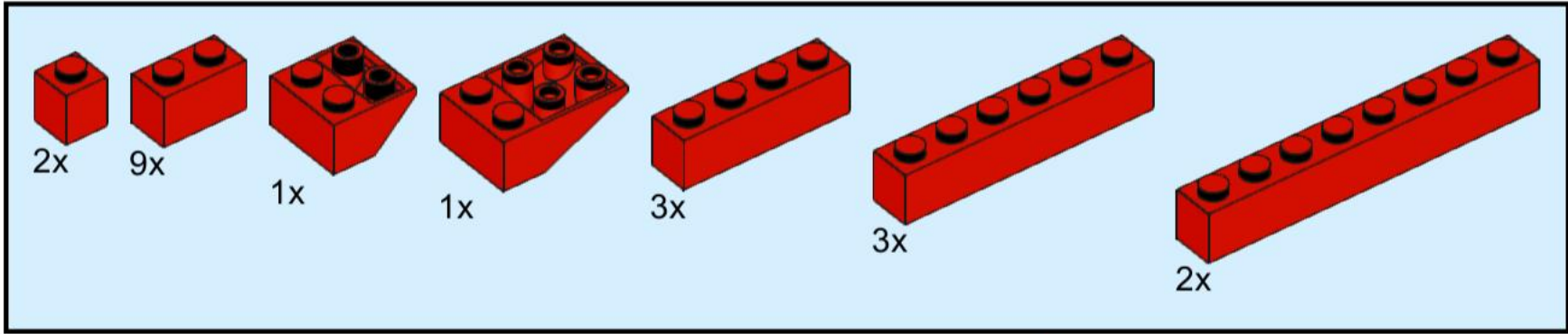
7



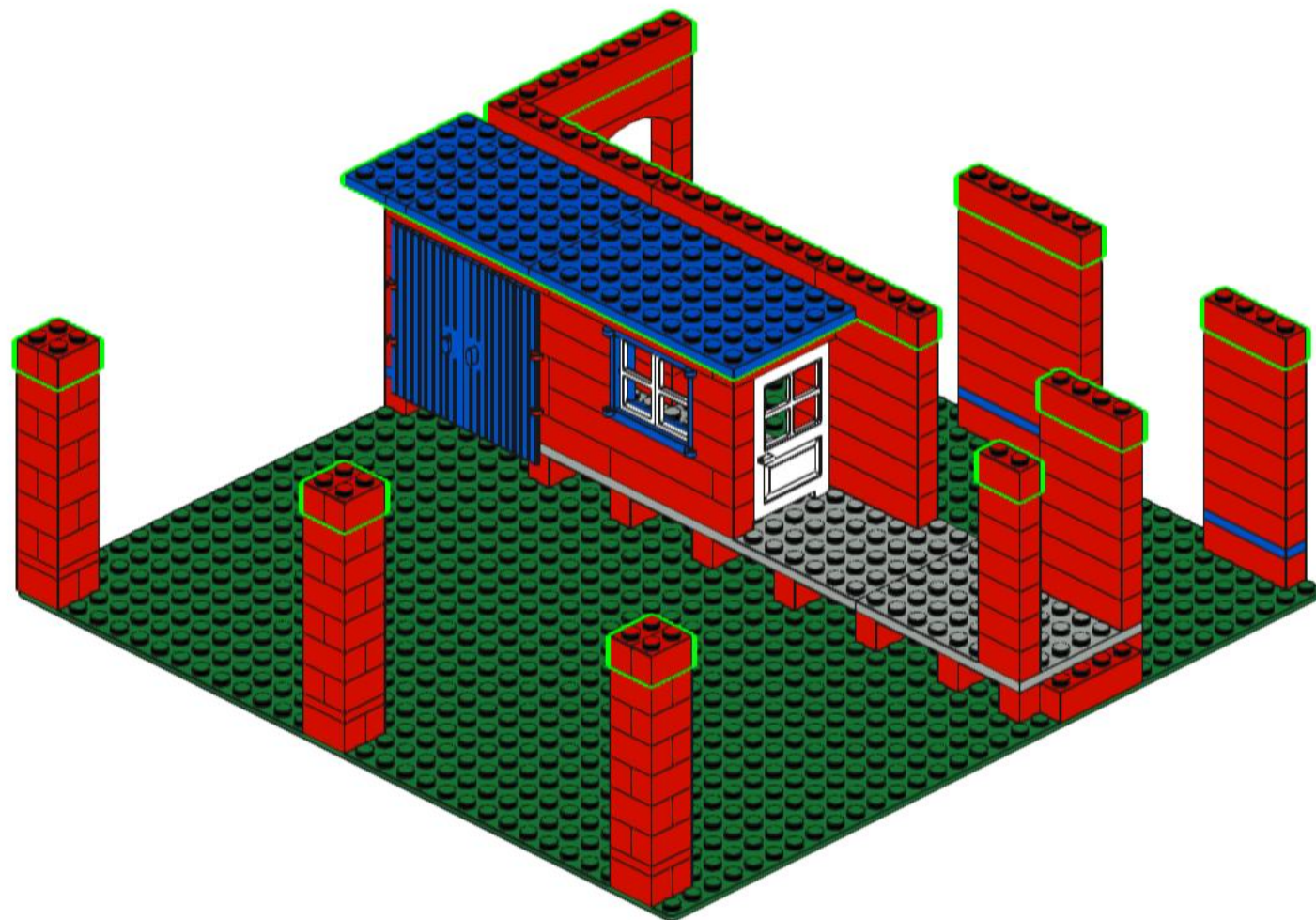
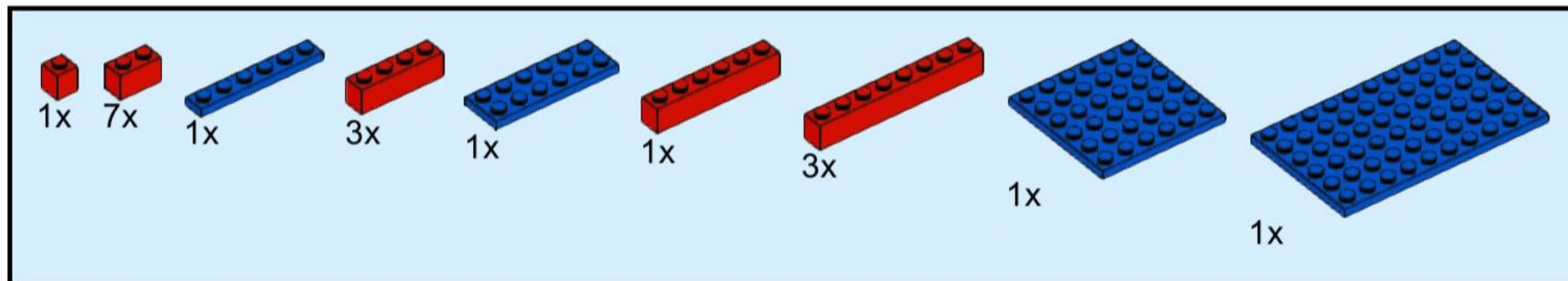
8



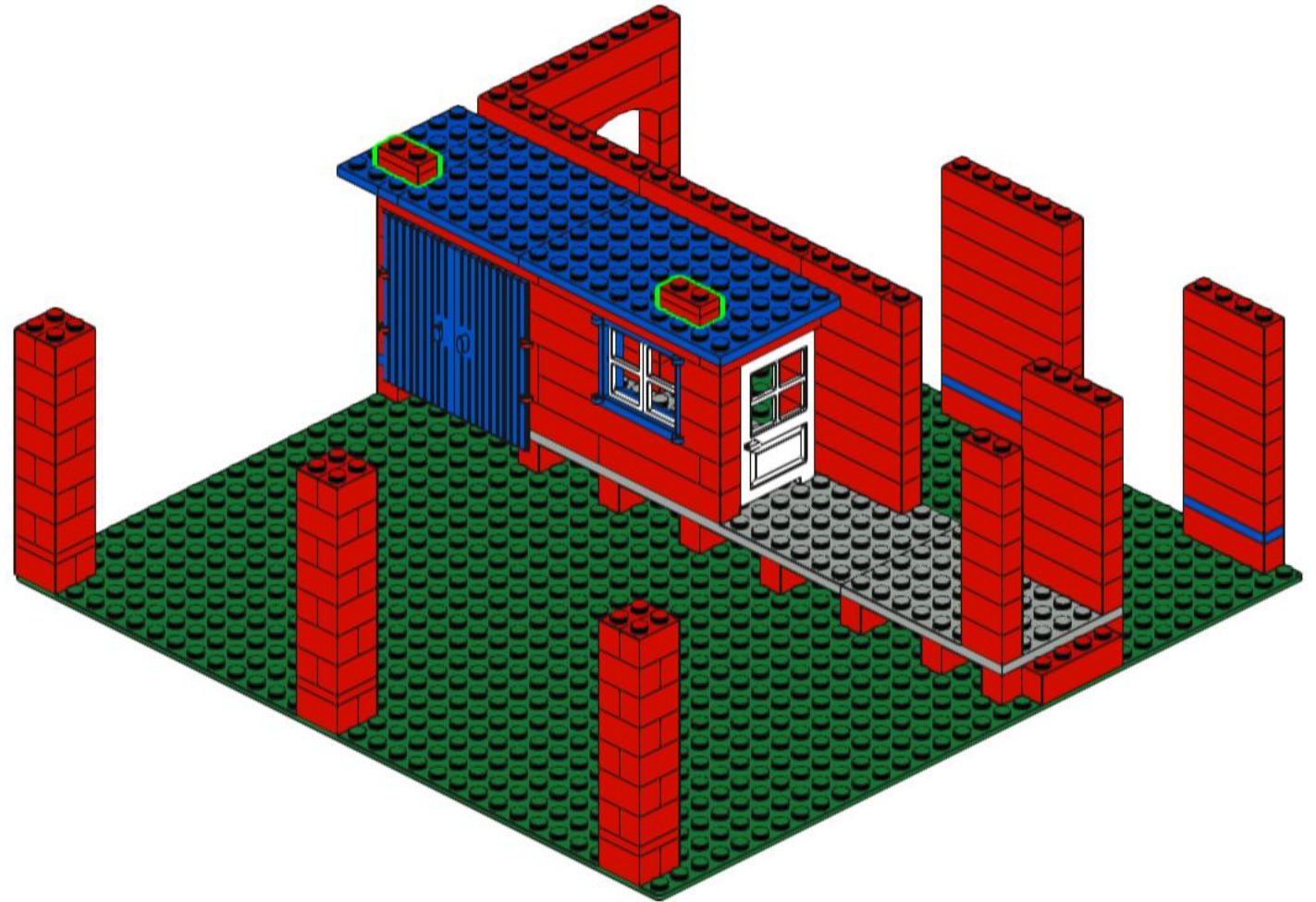
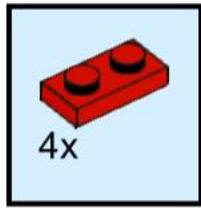
9



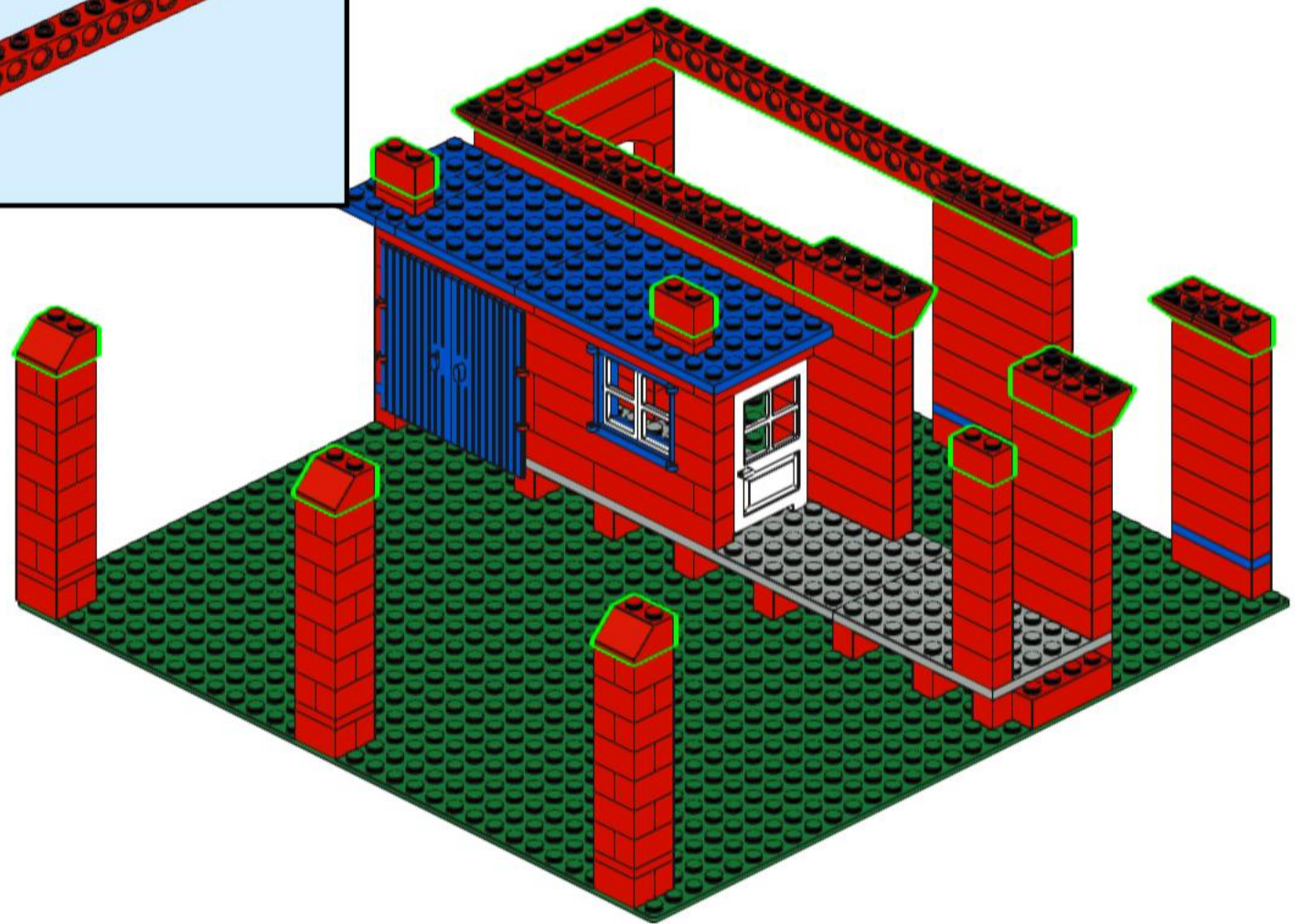
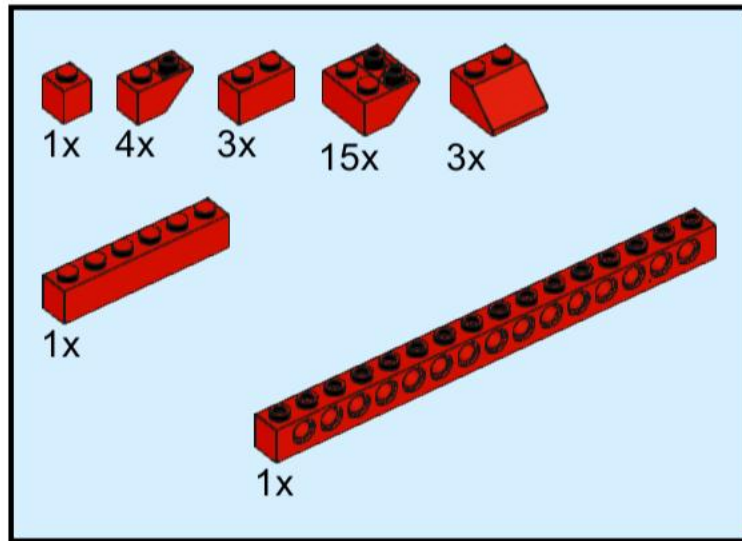
10



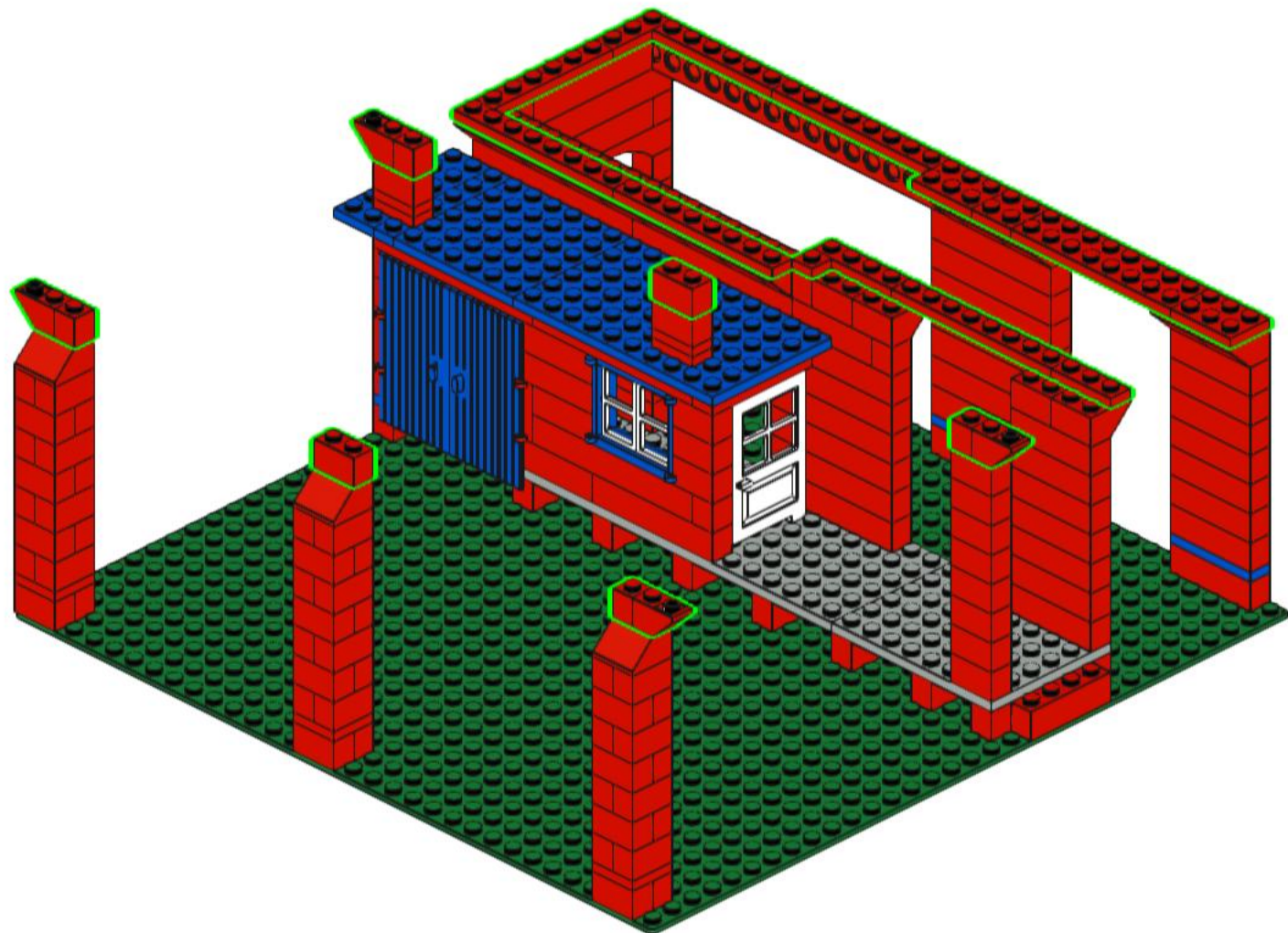
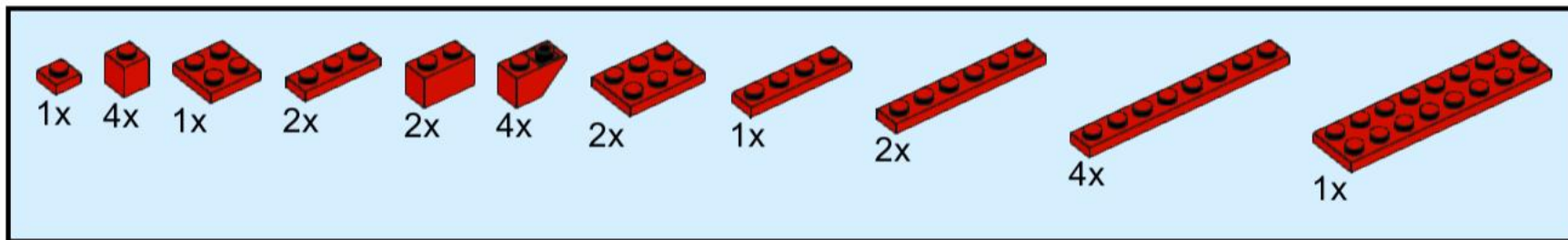
11



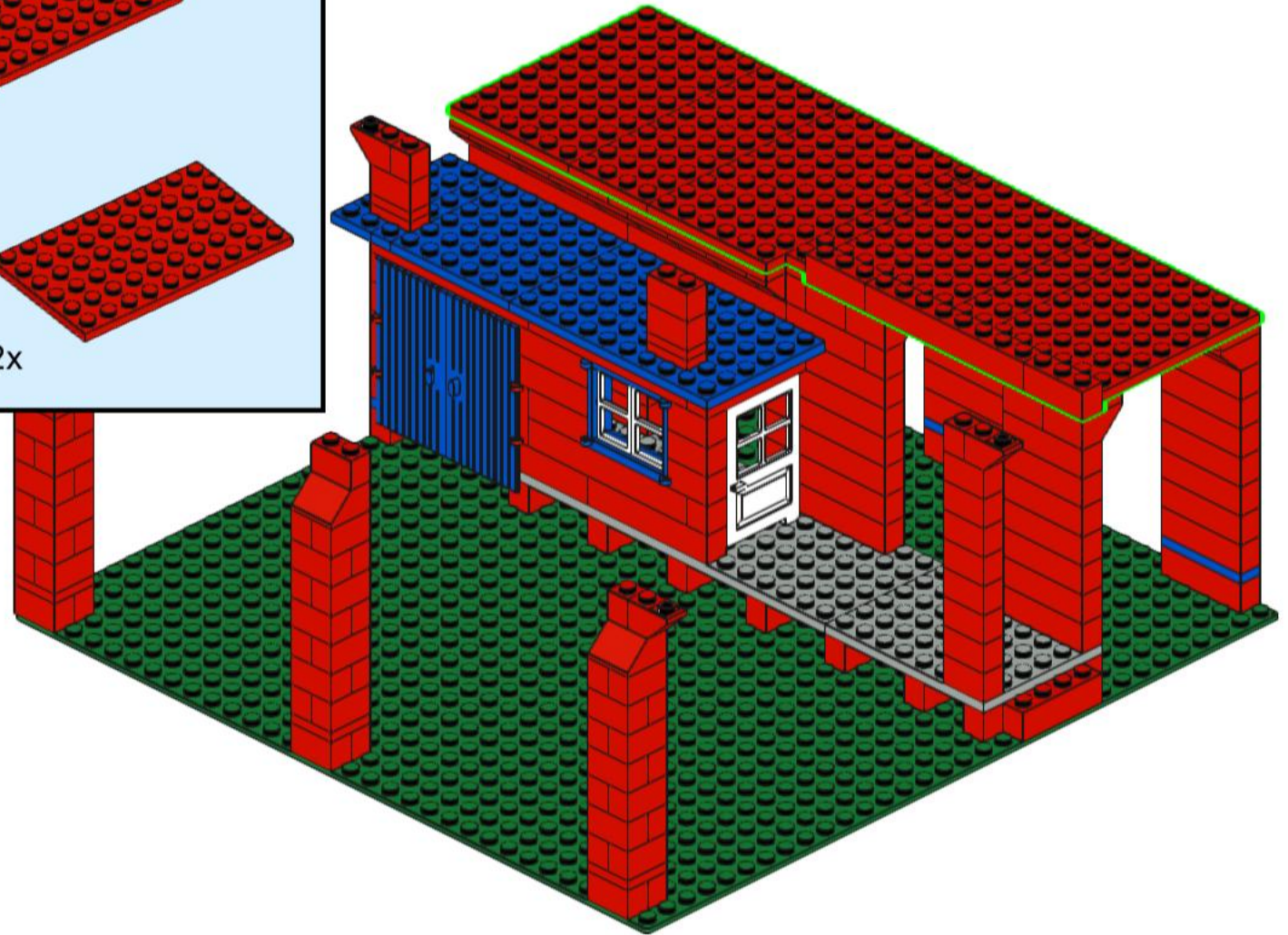
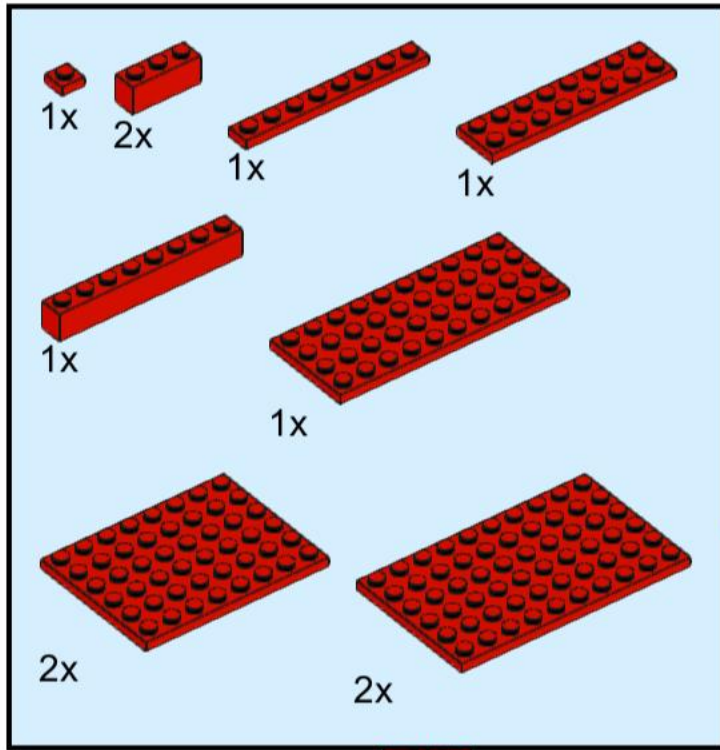
12



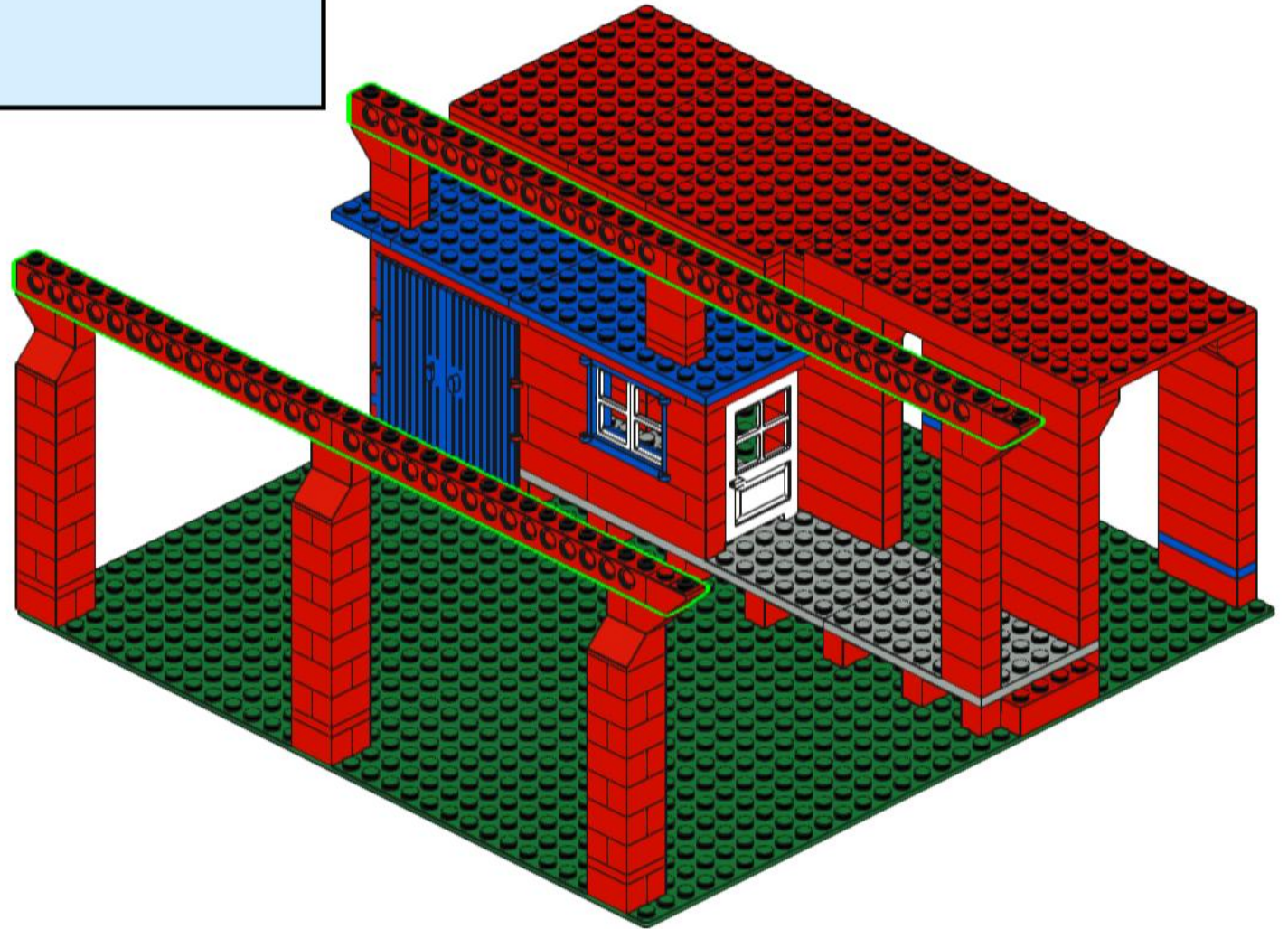
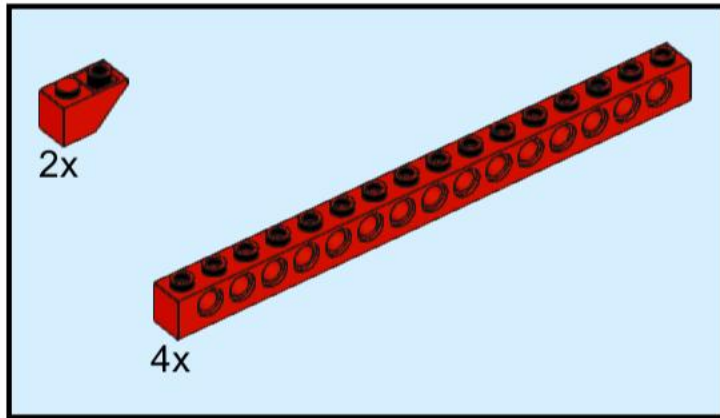
13



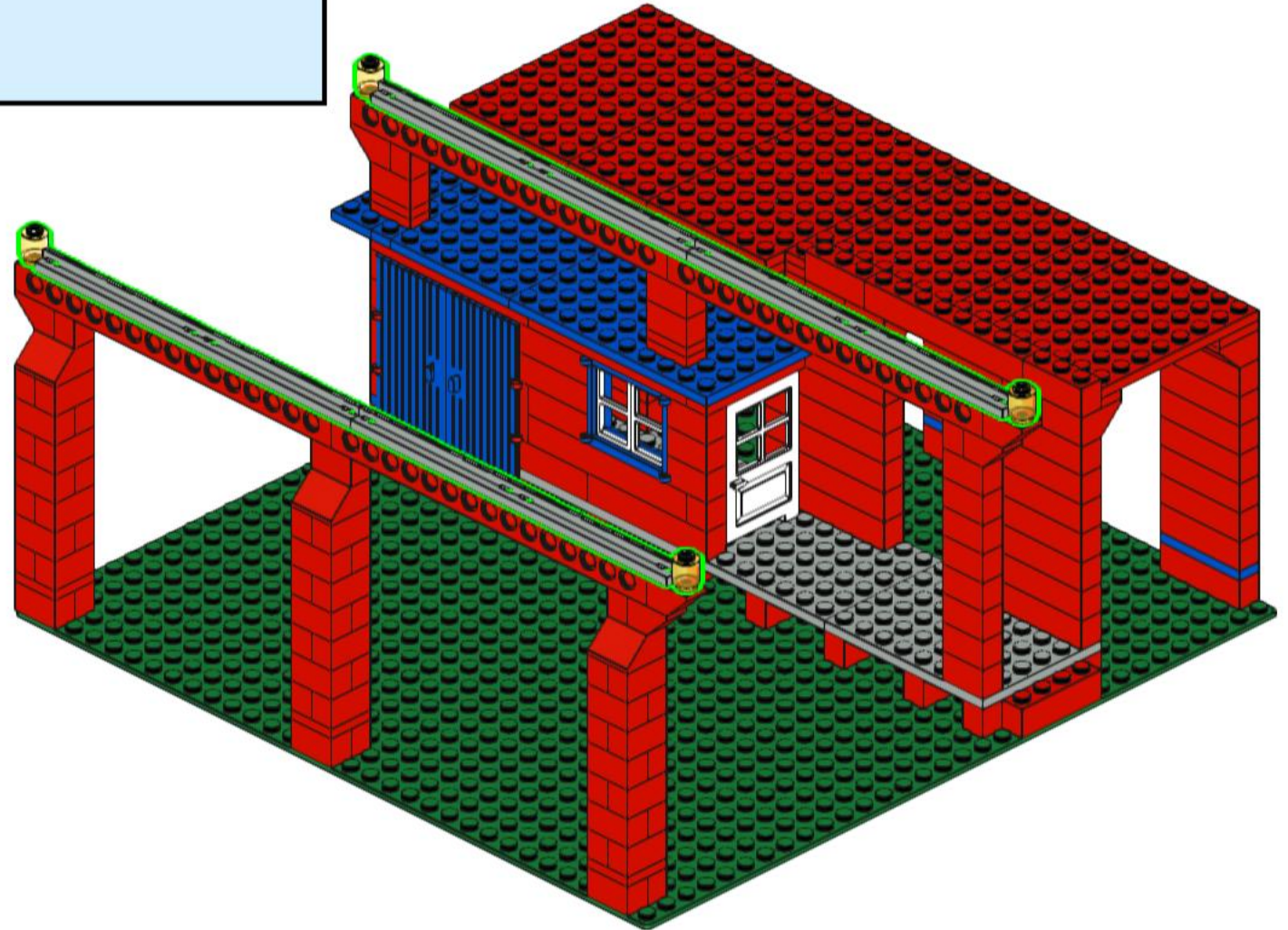
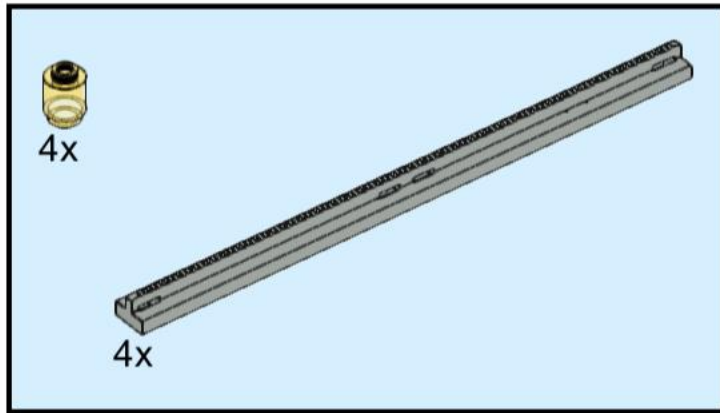
14



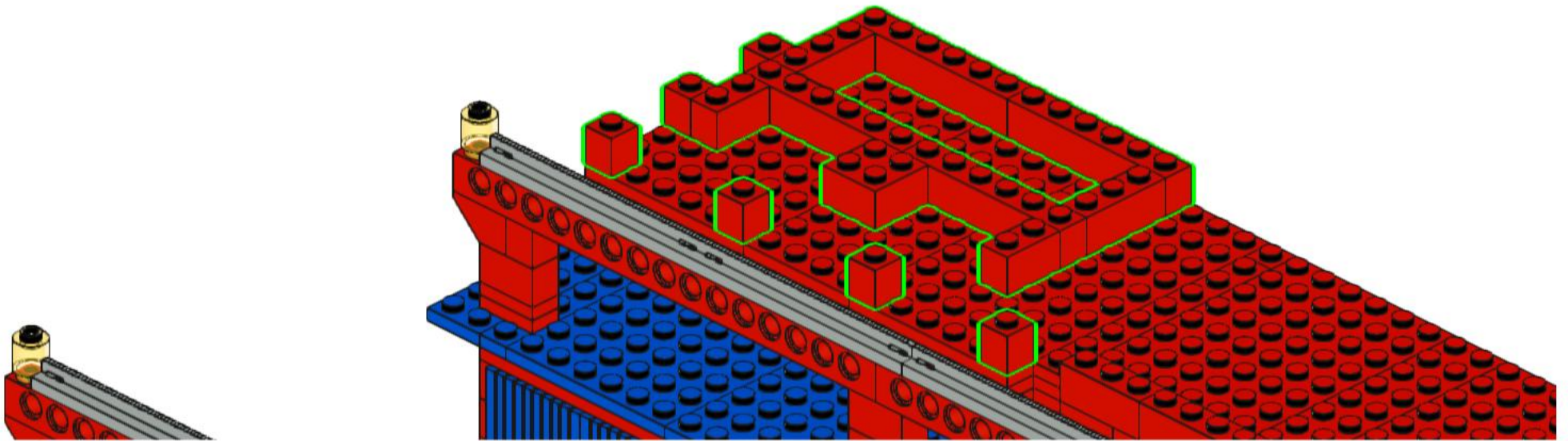
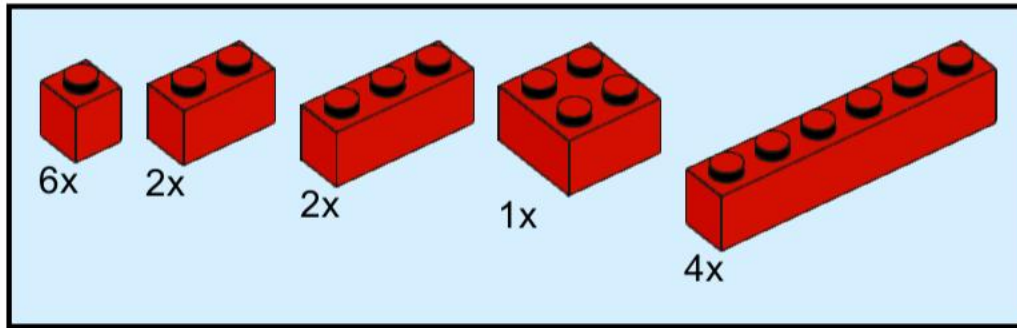
15



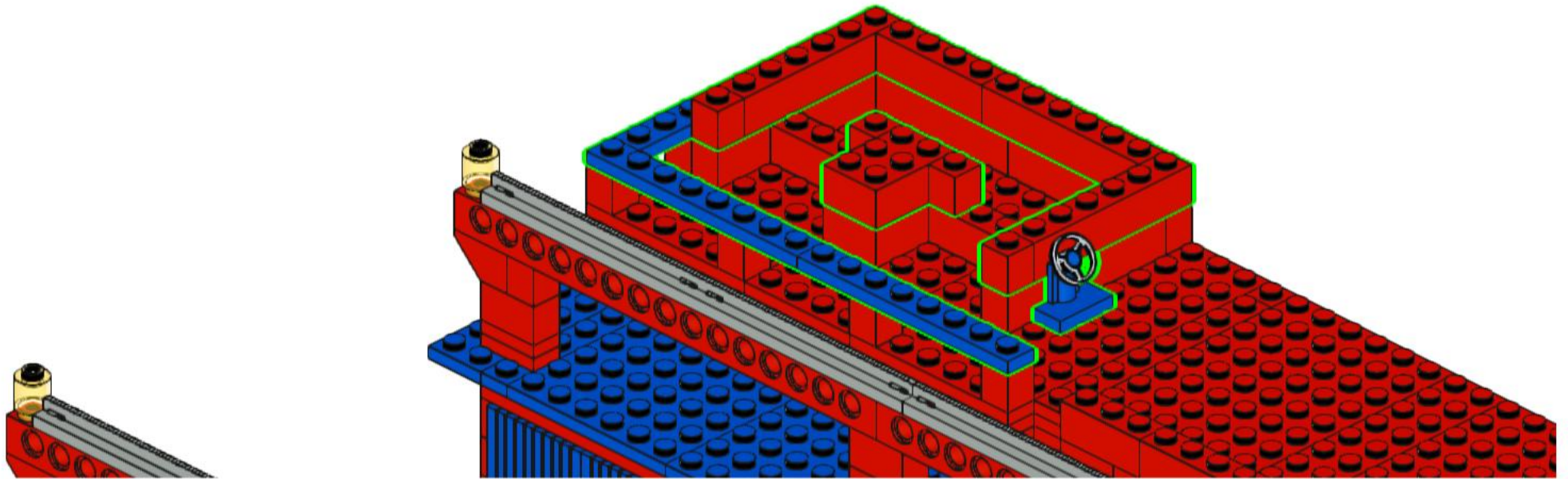
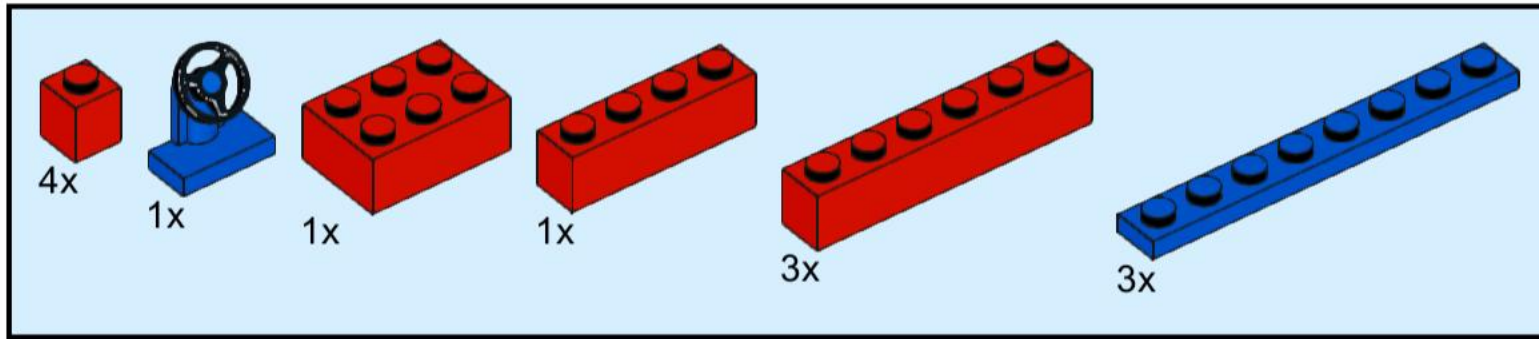
16



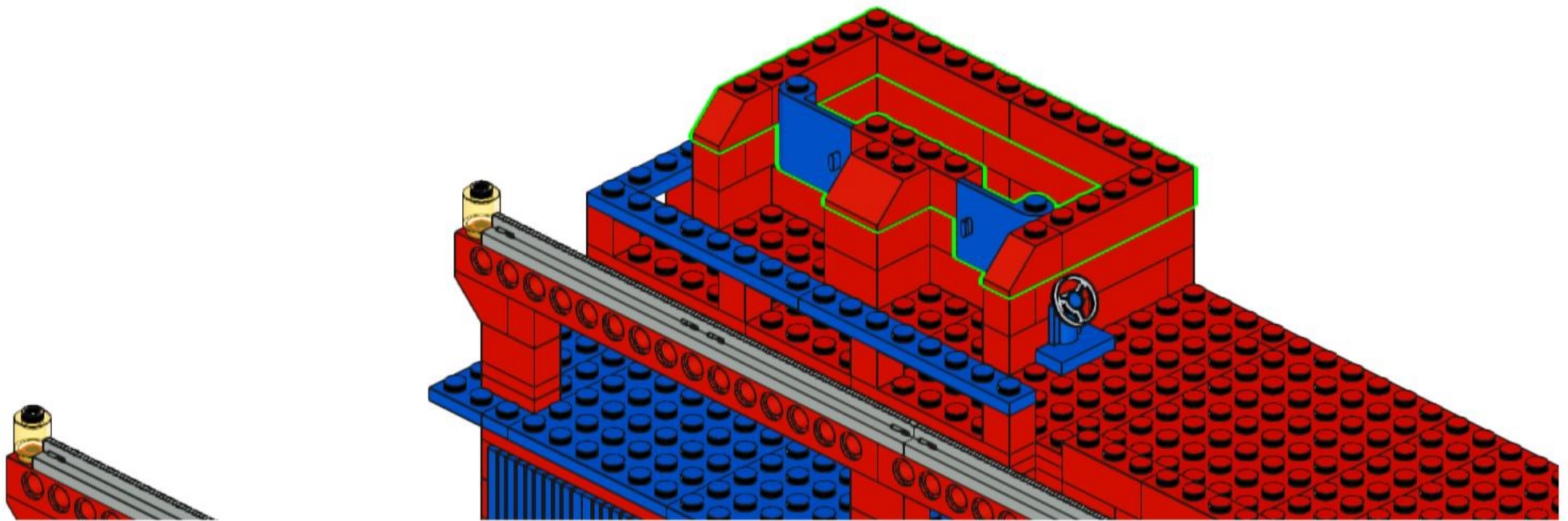
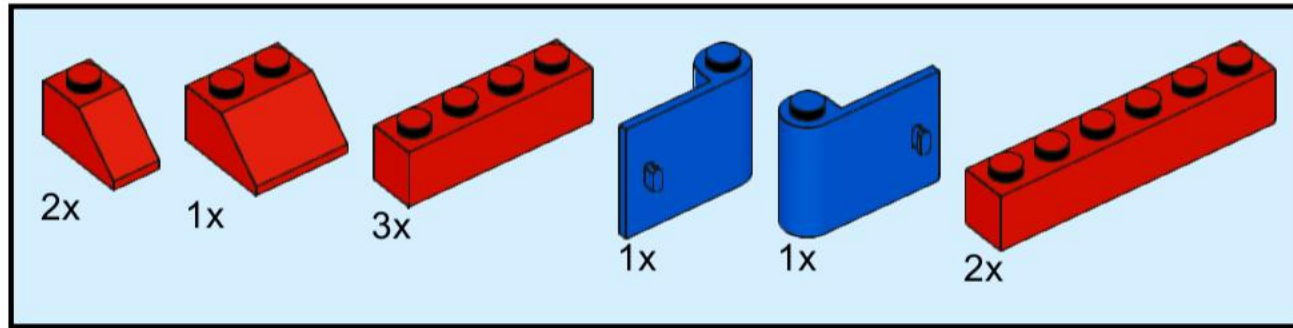
17



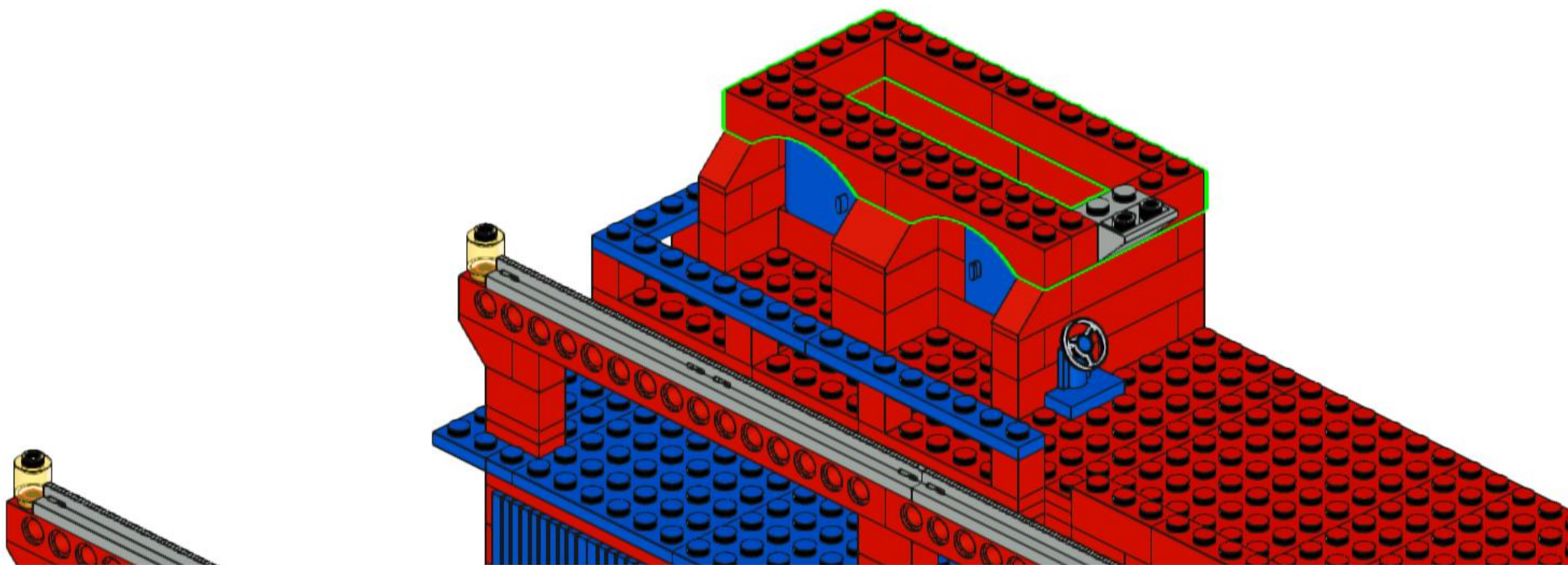
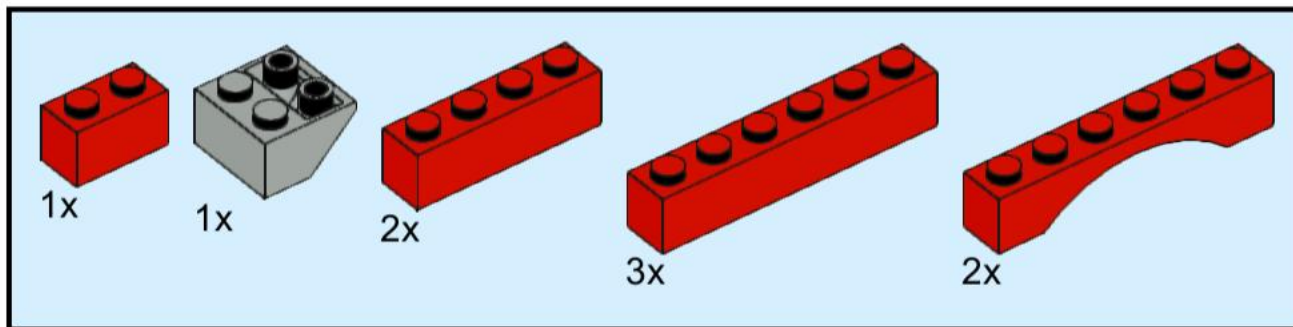
18



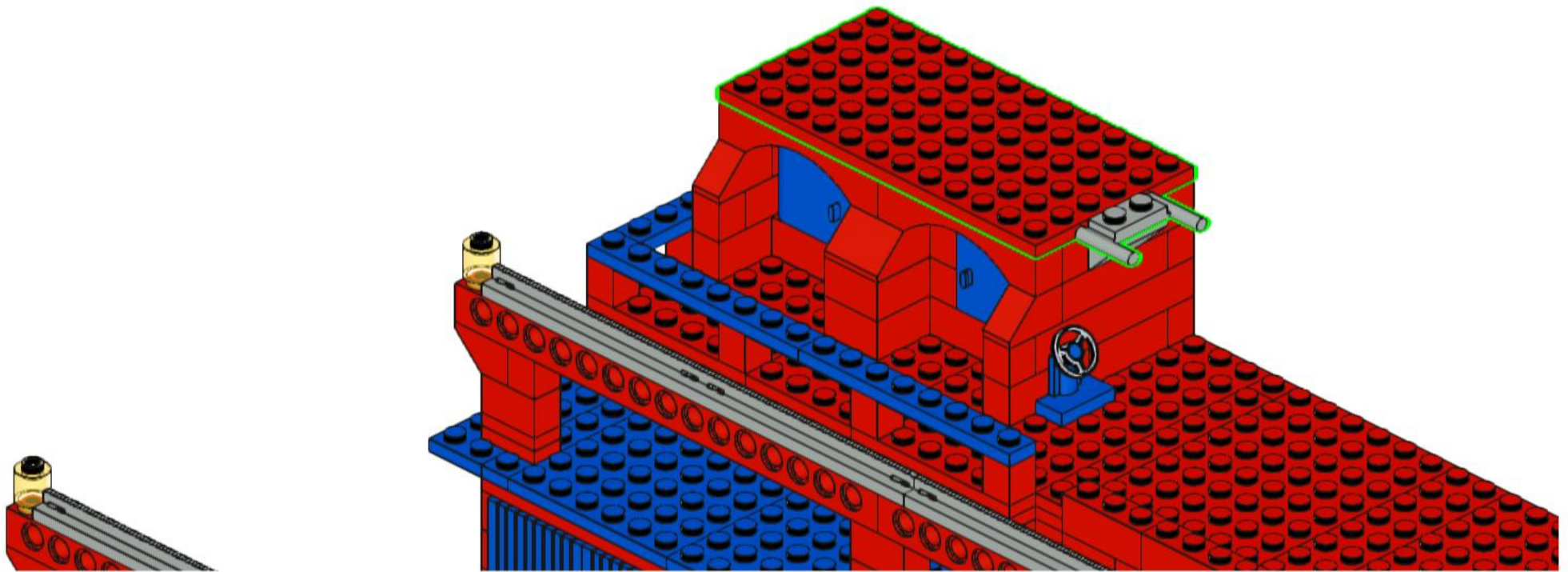
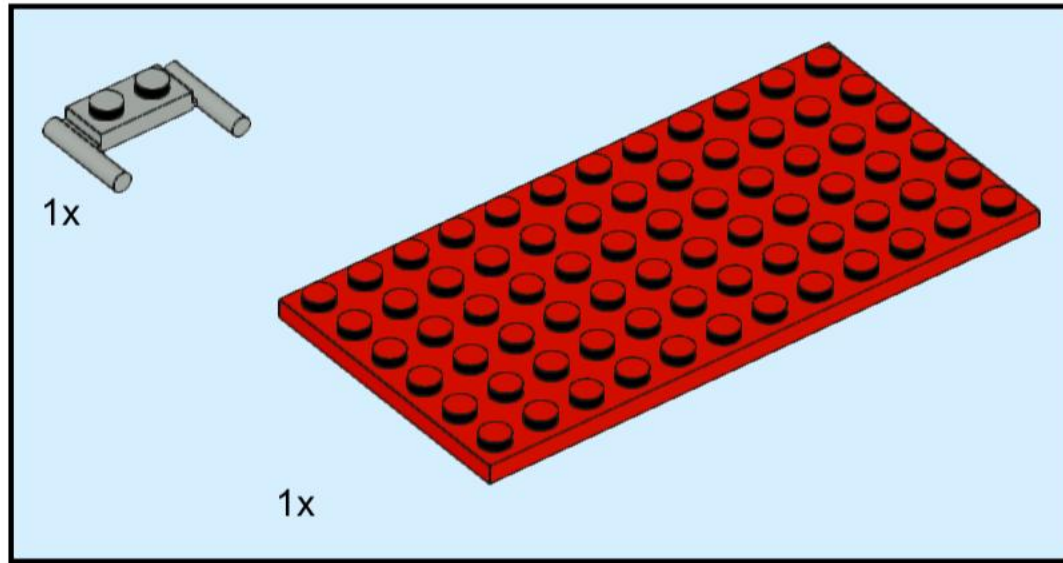
19



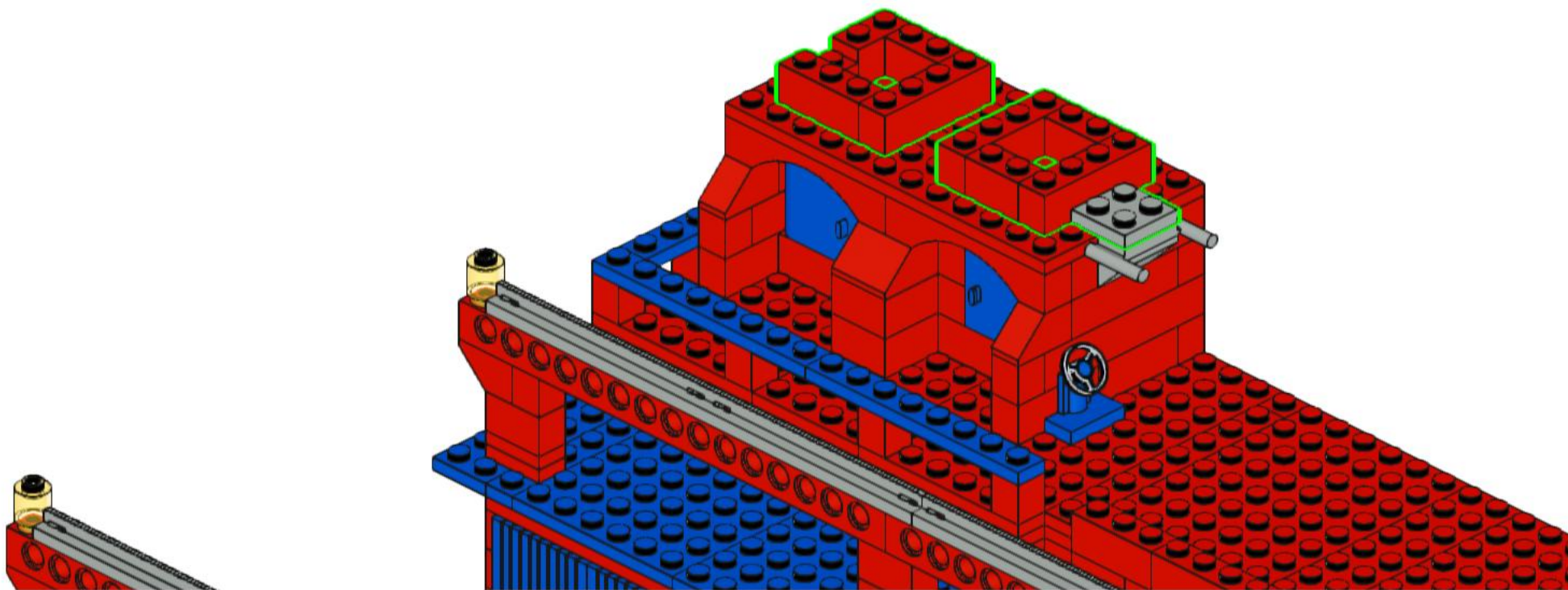
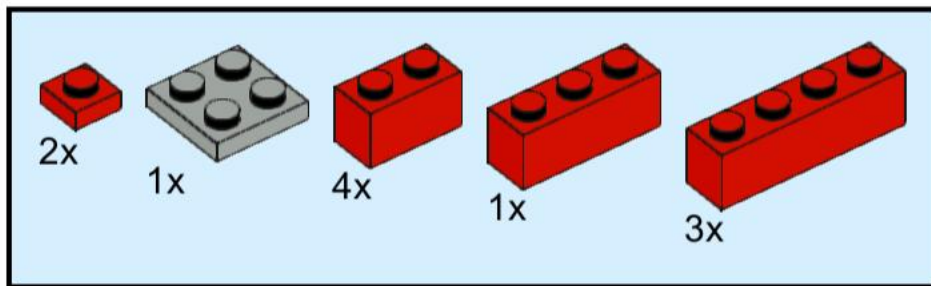
20



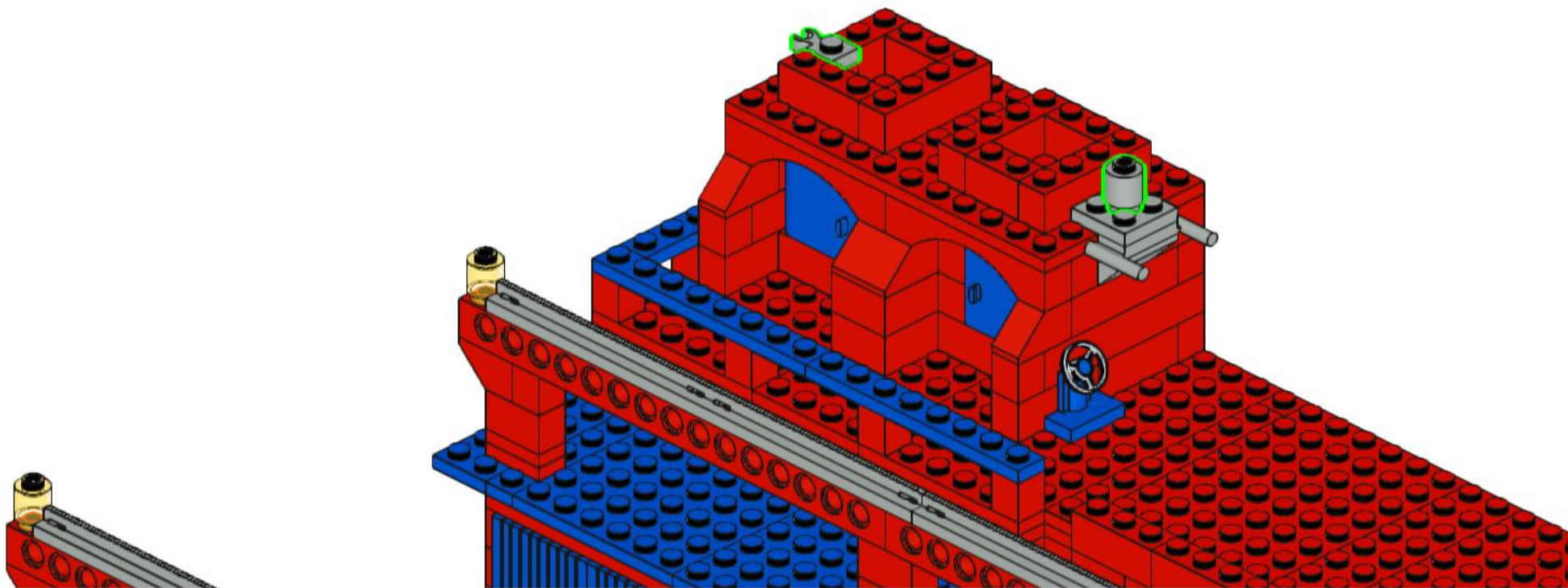
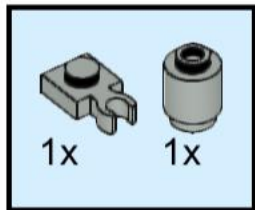
21



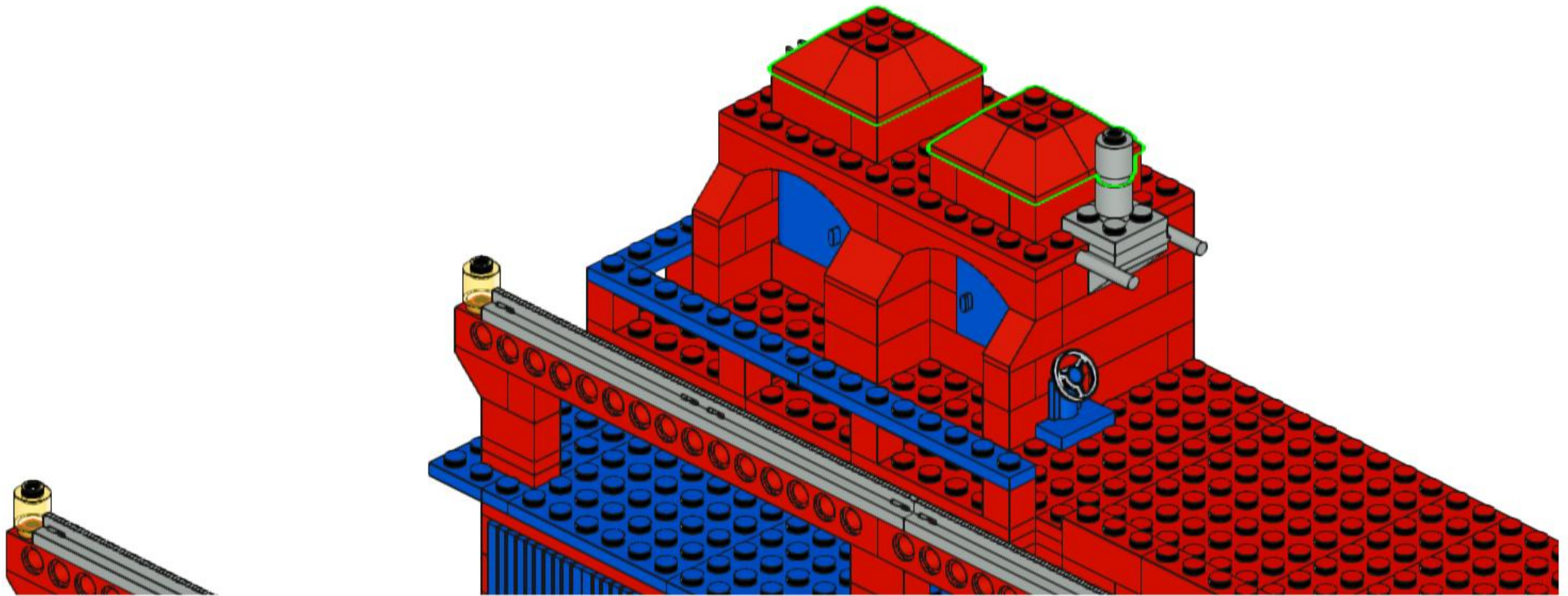
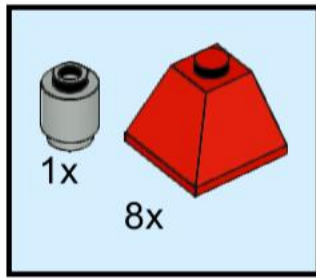
22



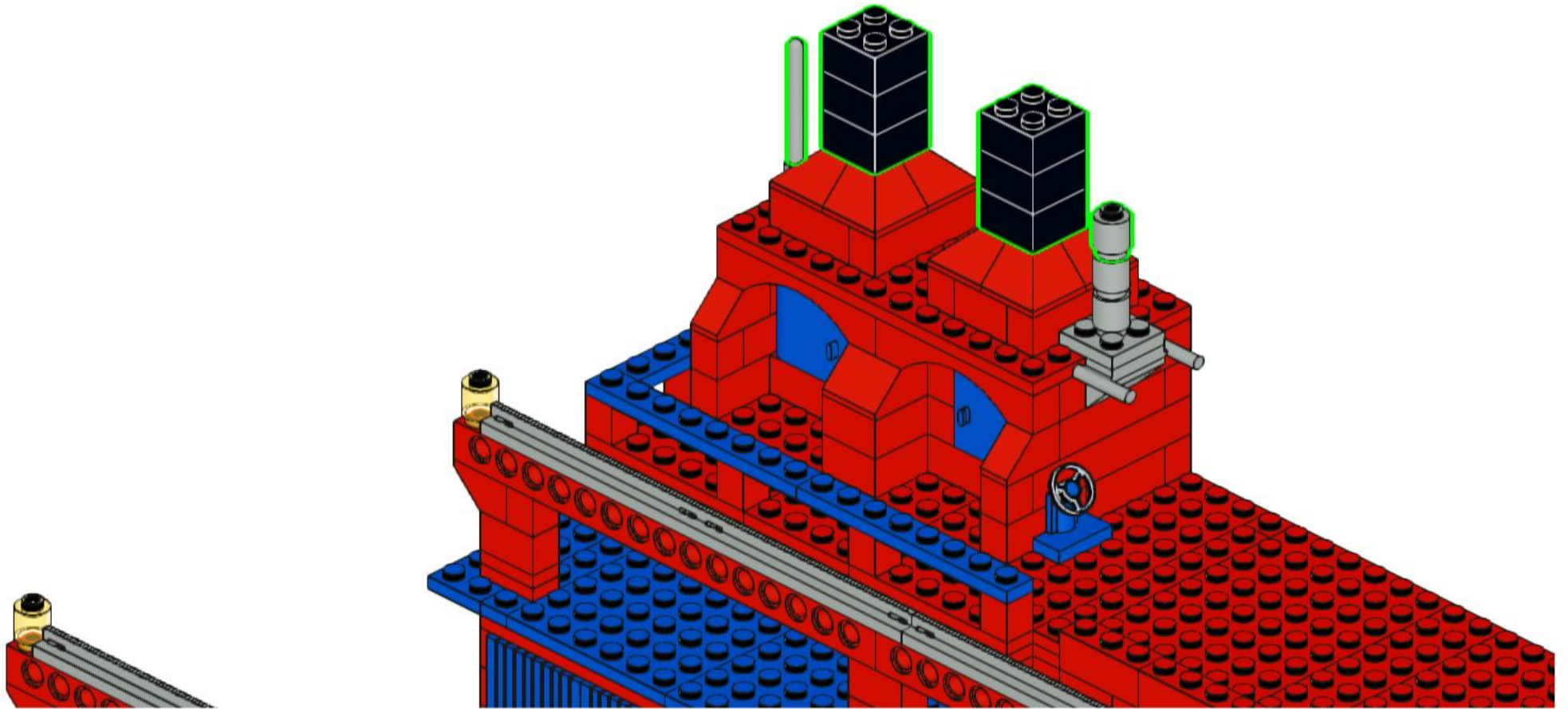
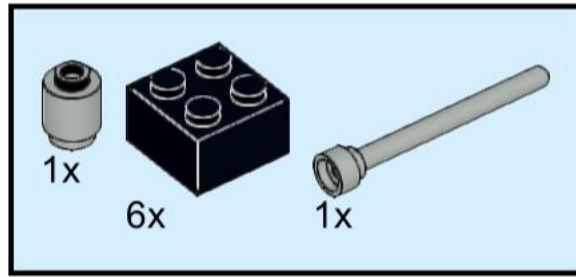
23



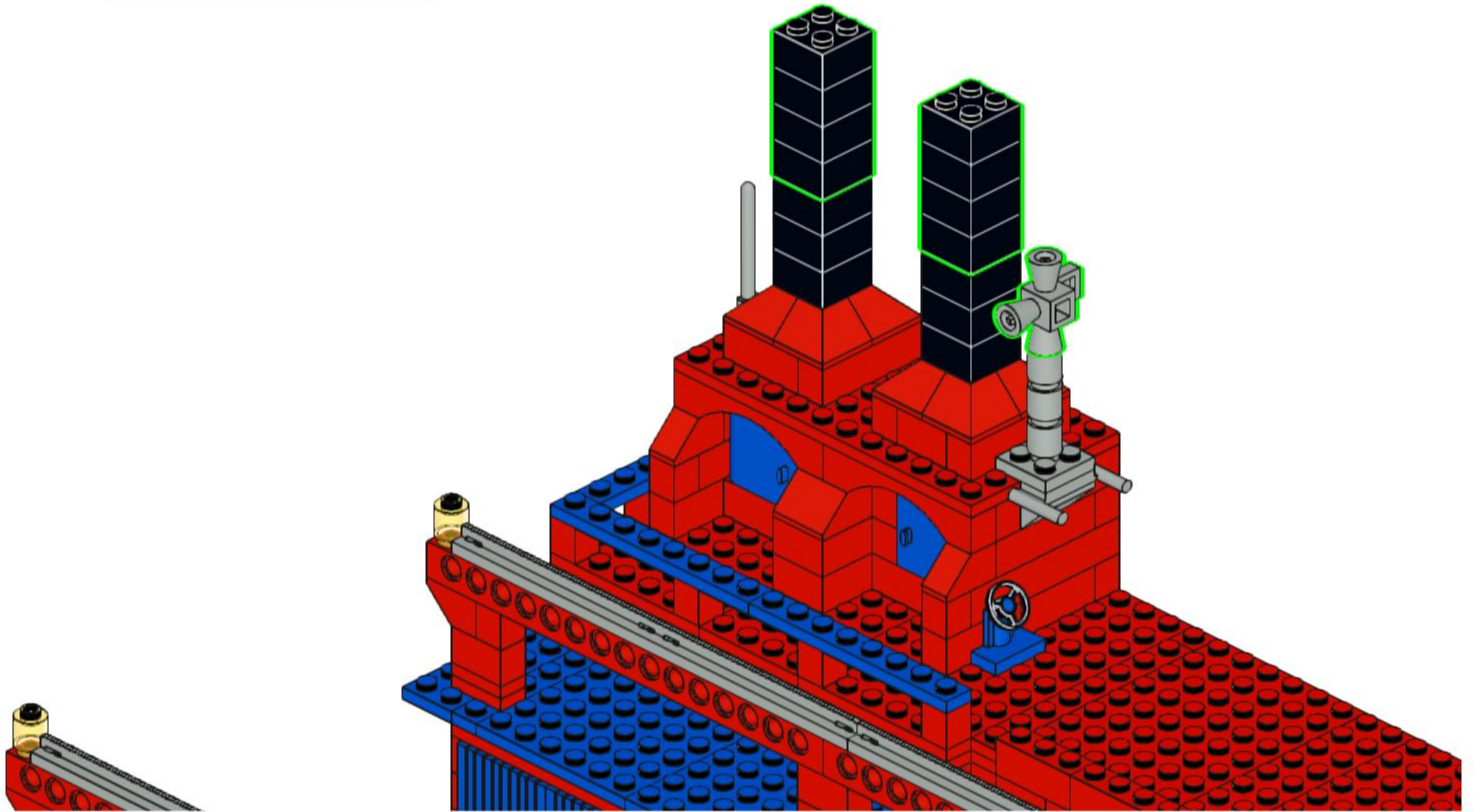
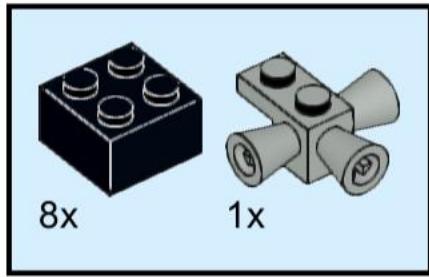
24



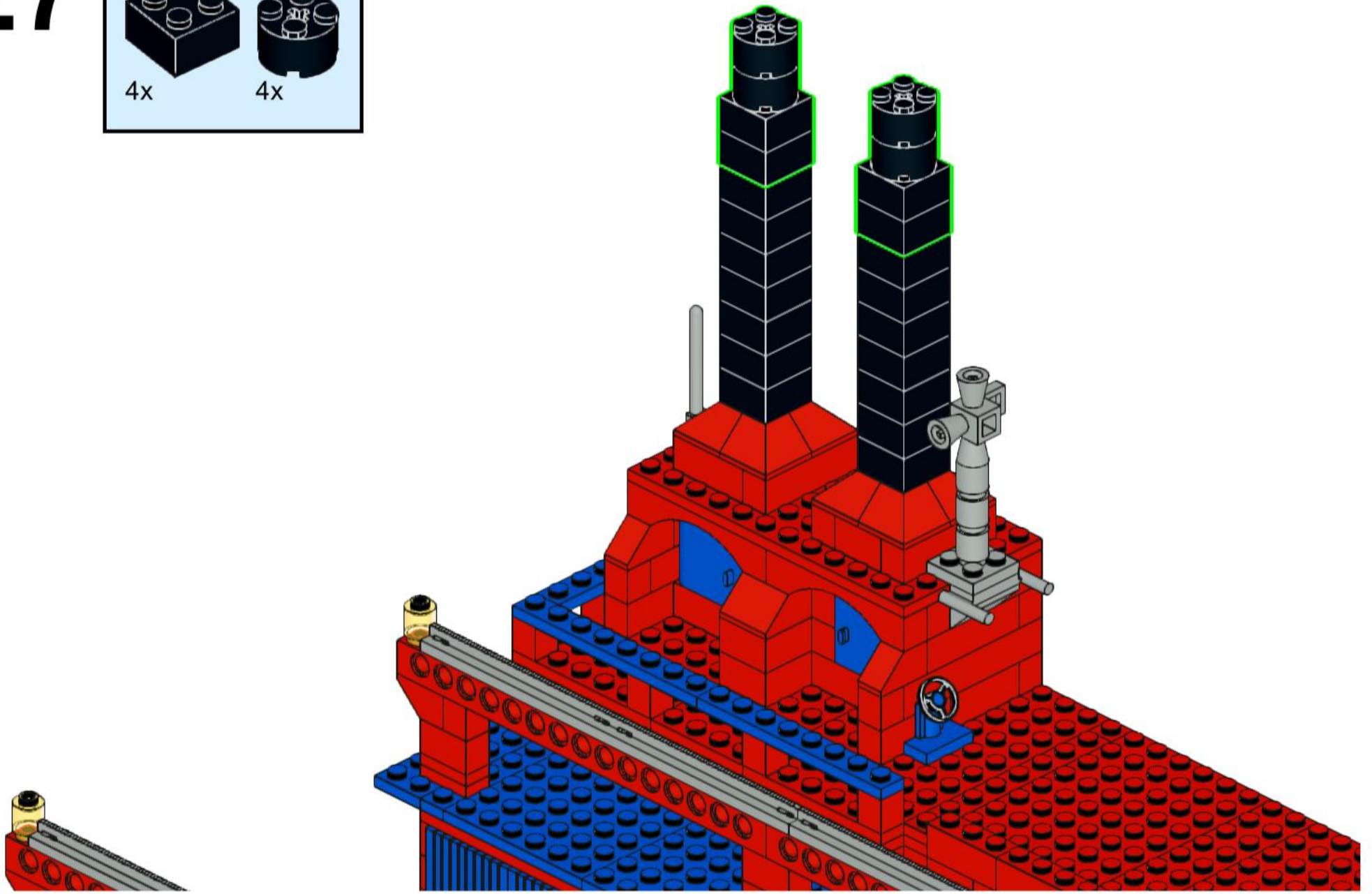
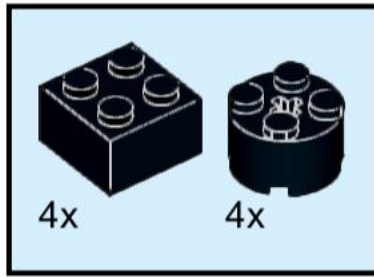
25



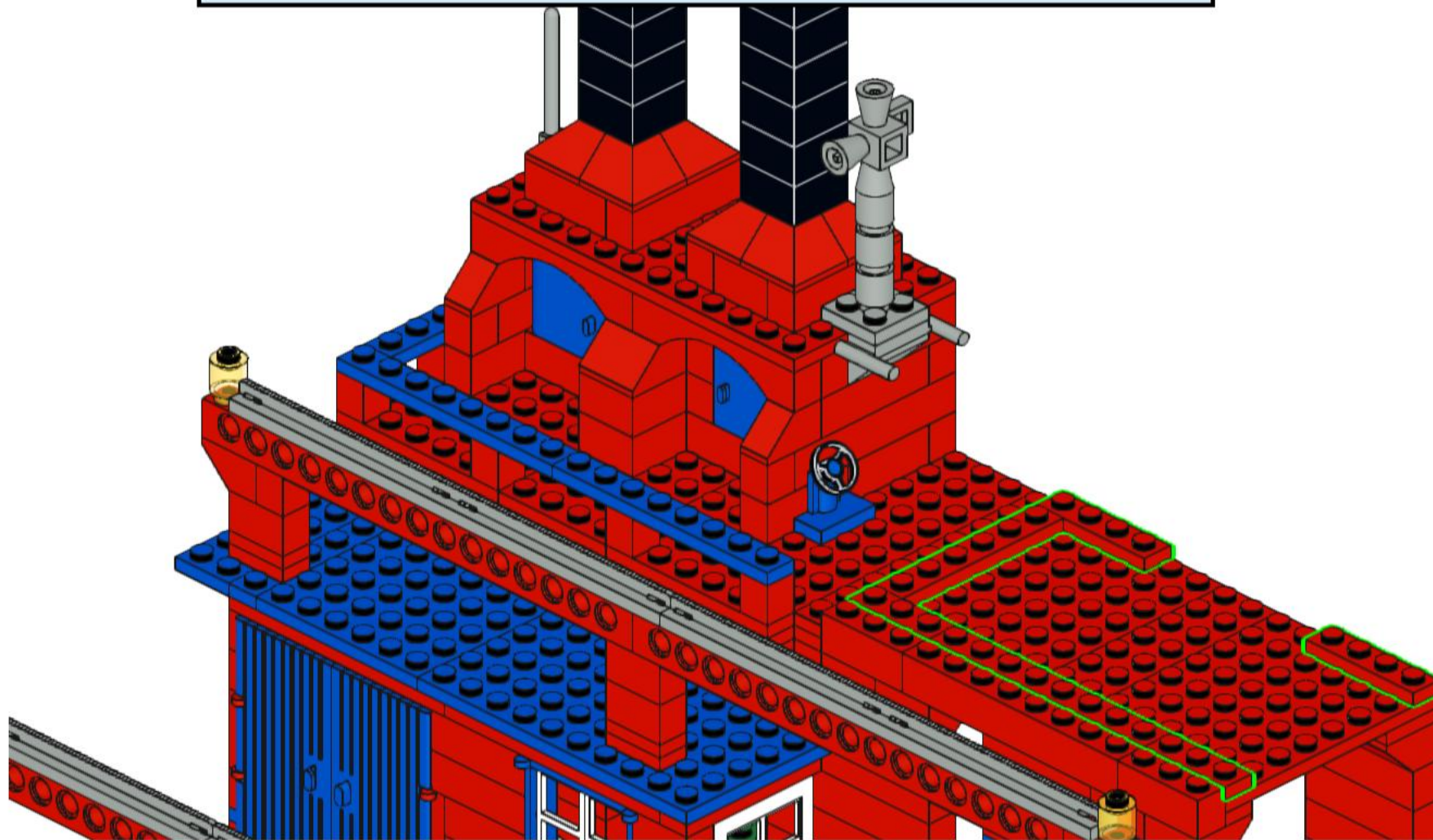
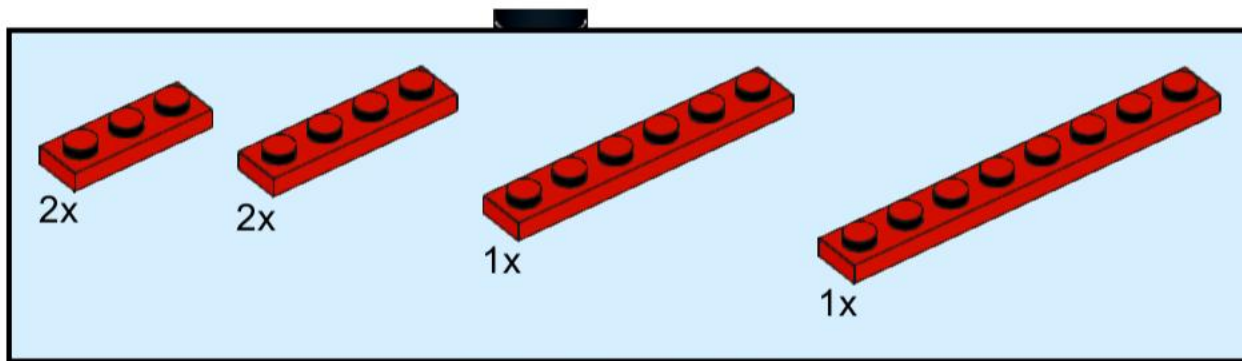
26



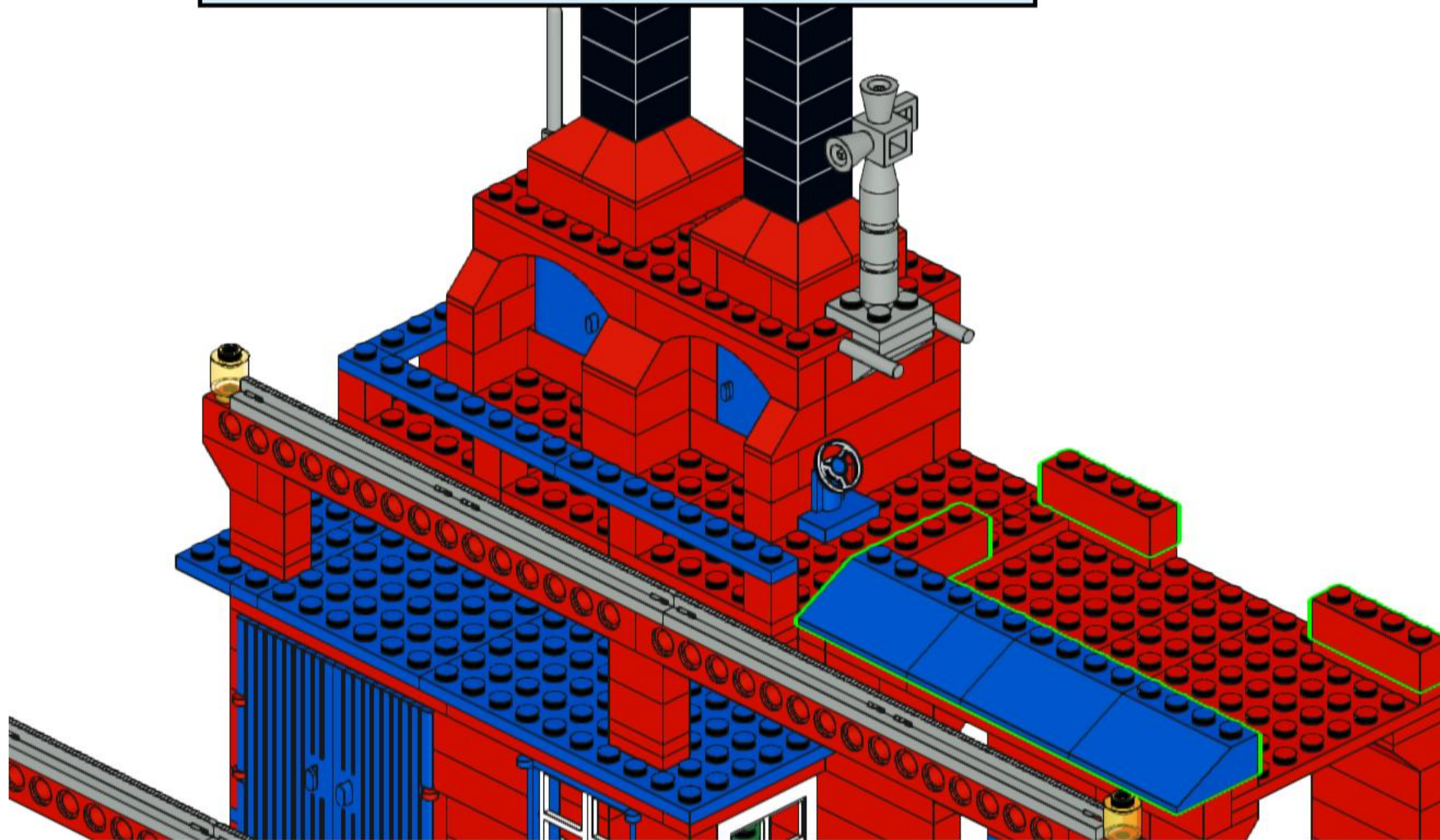
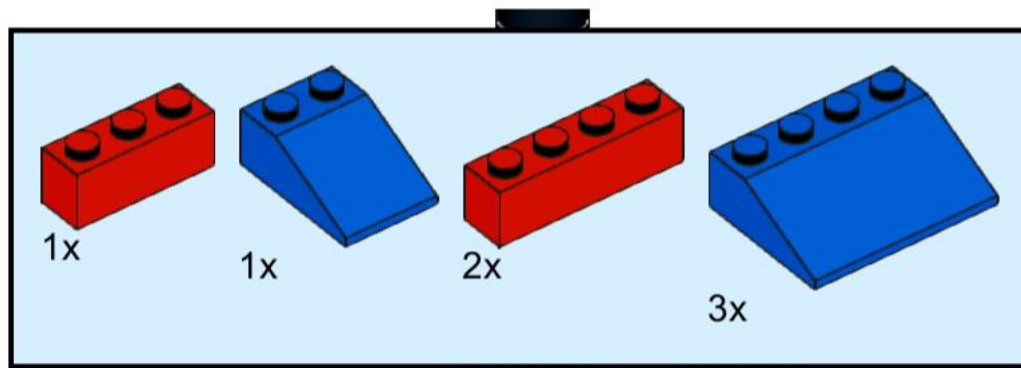
27



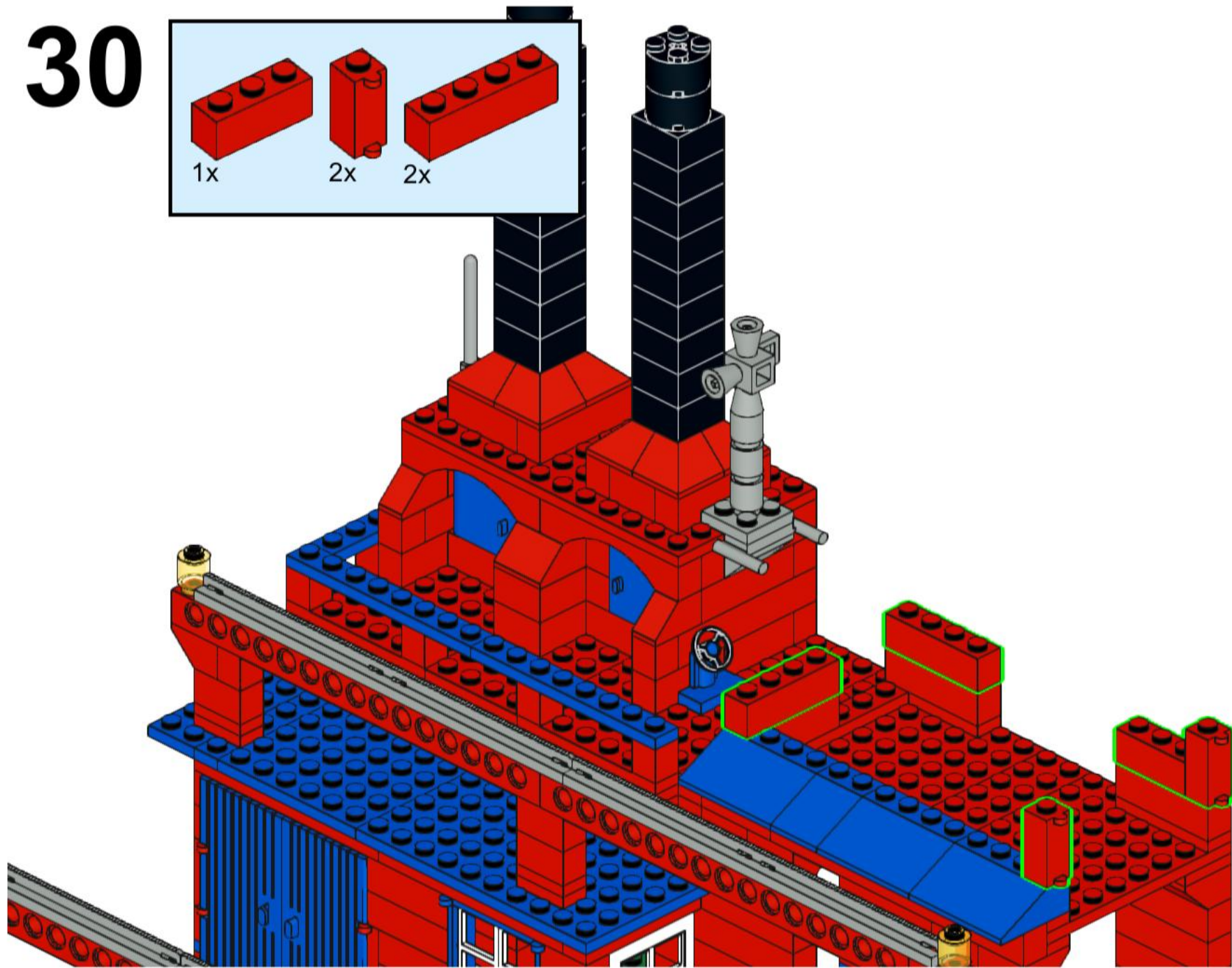
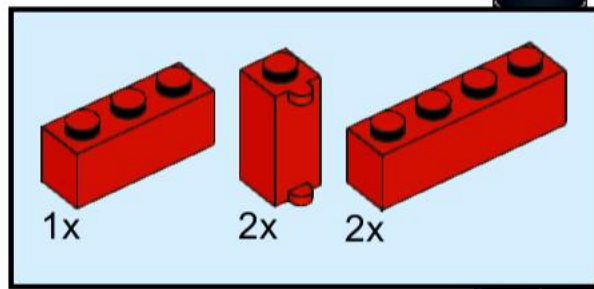
28



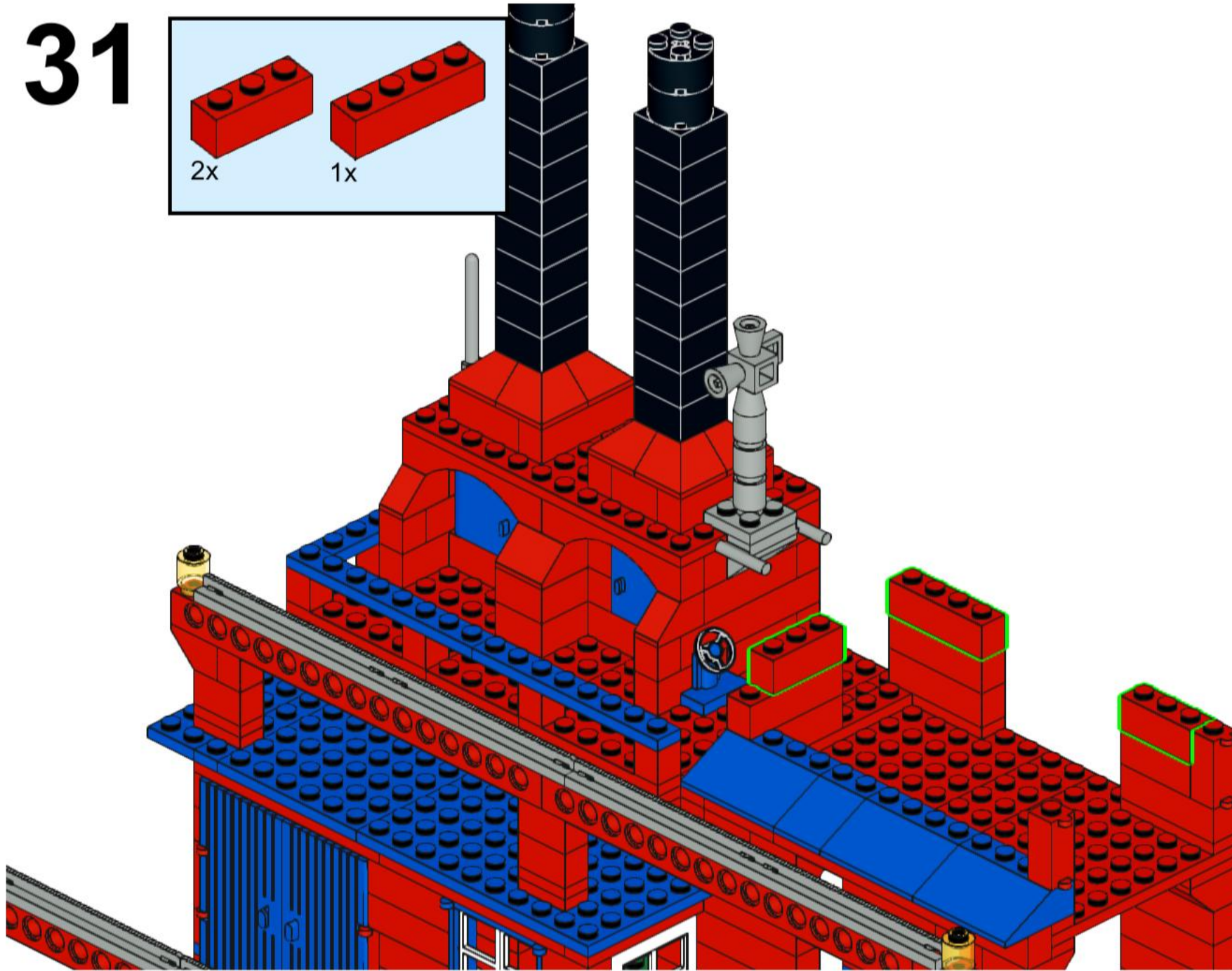
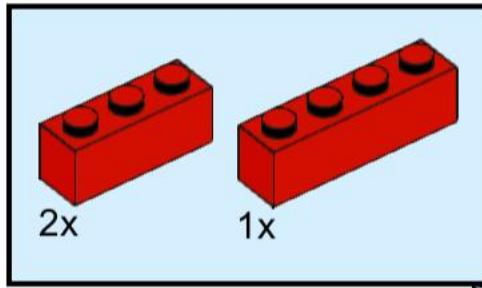
29



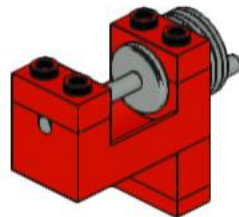
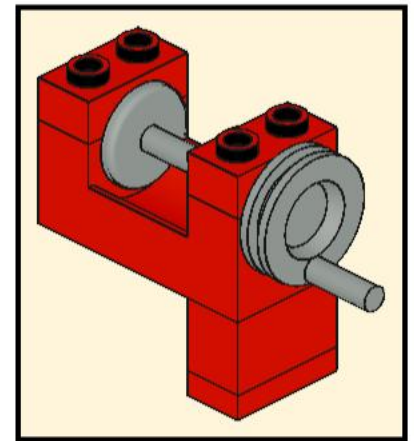
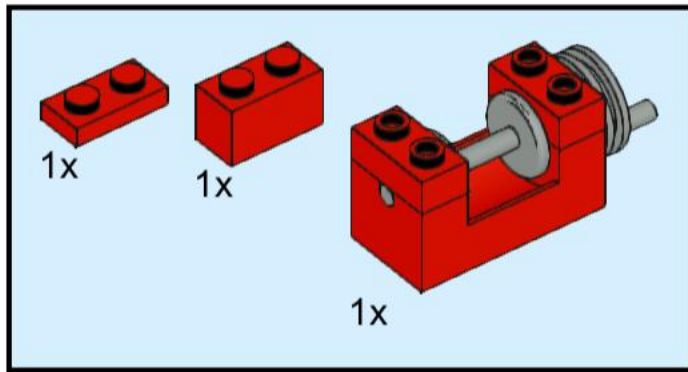
30



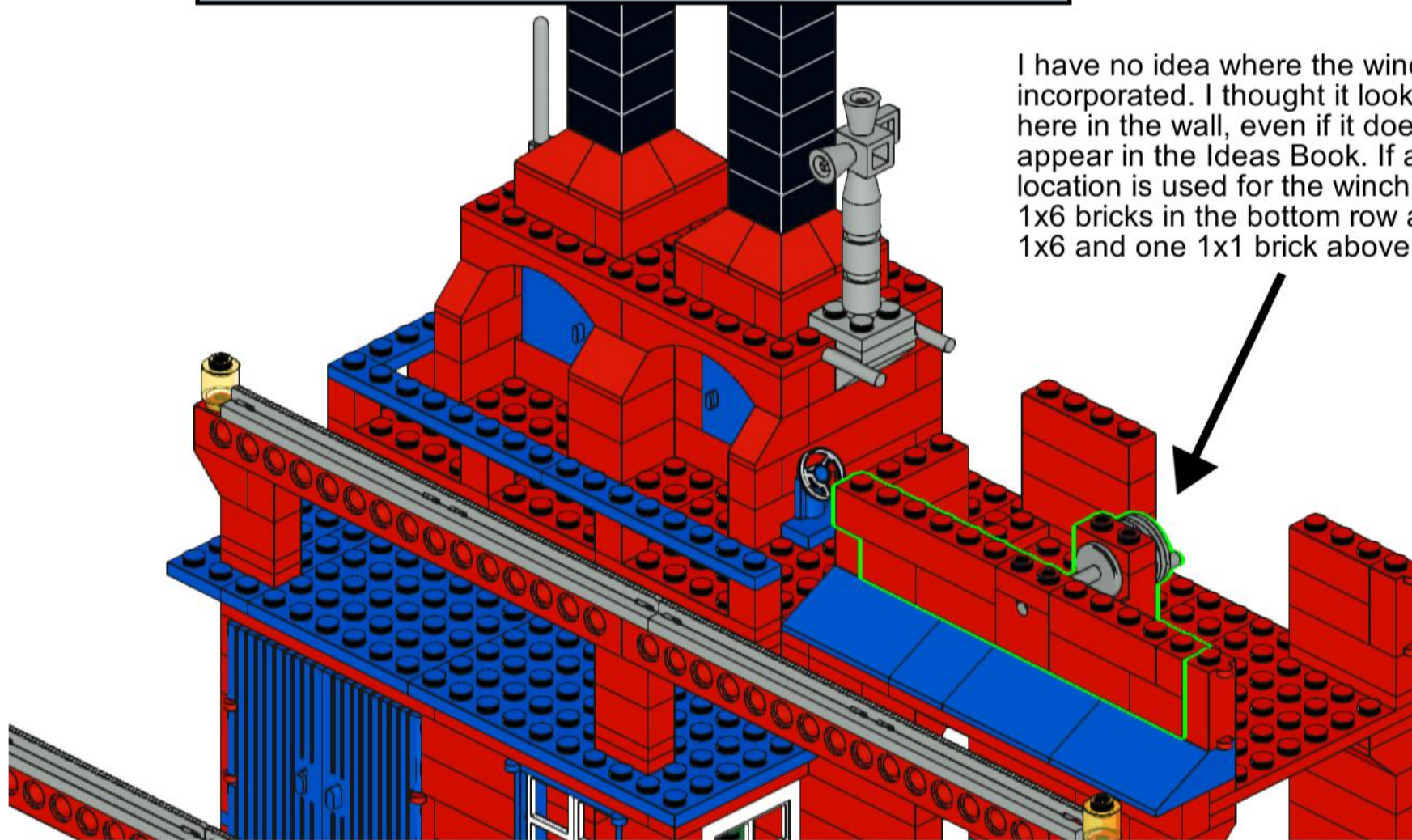
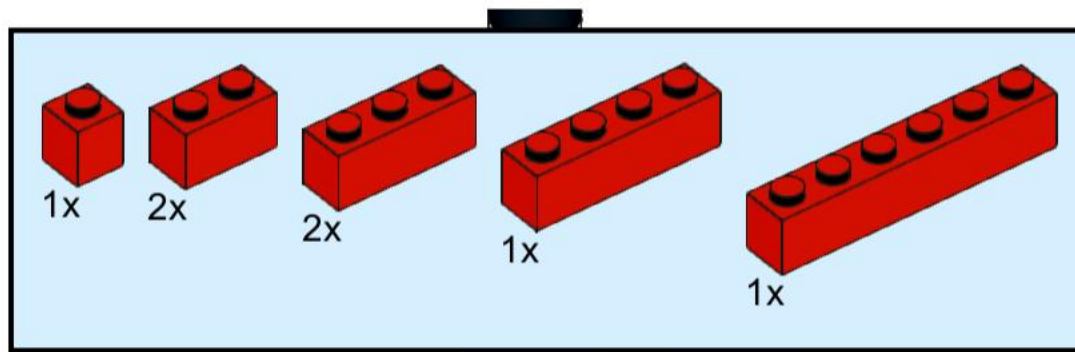
31



32

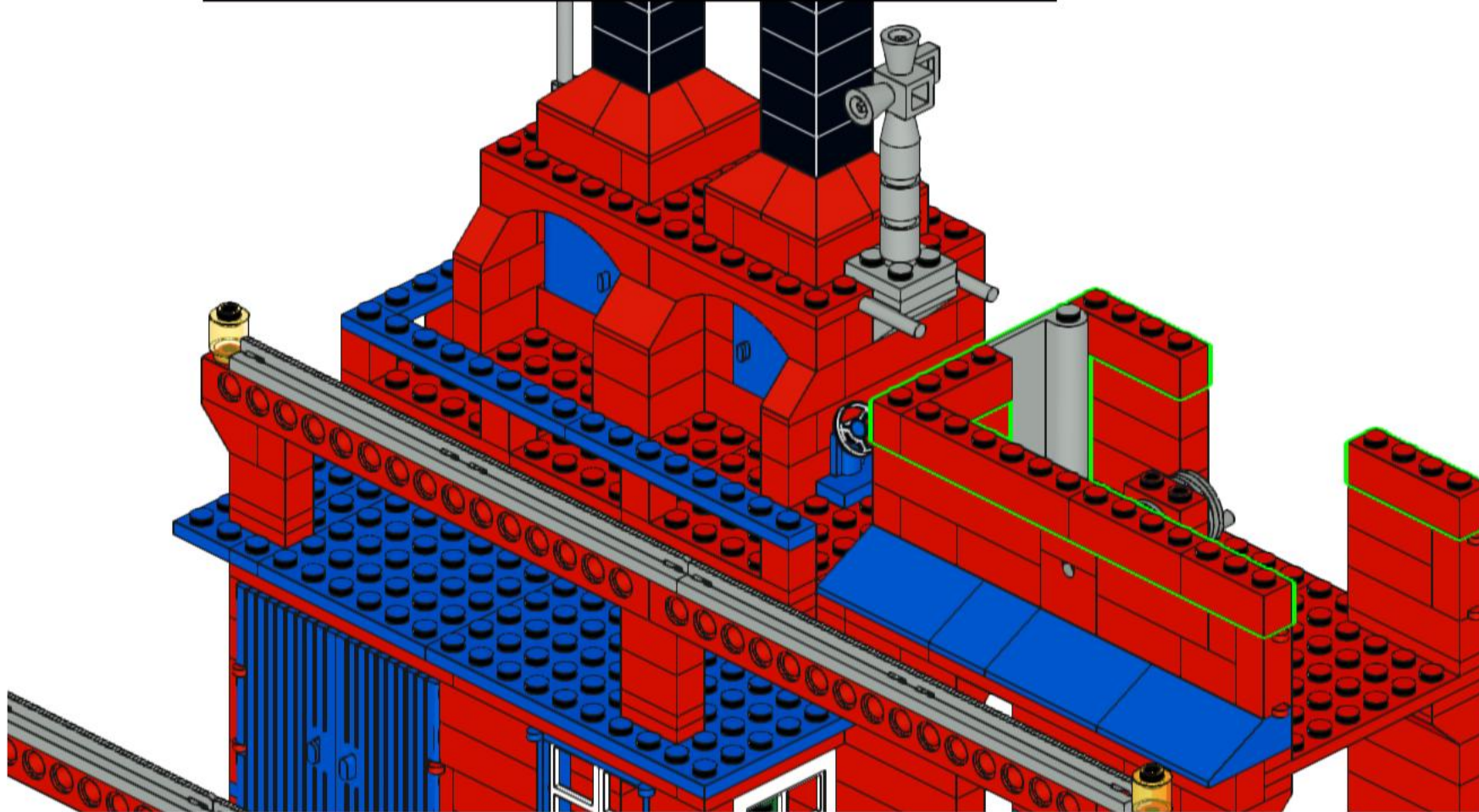
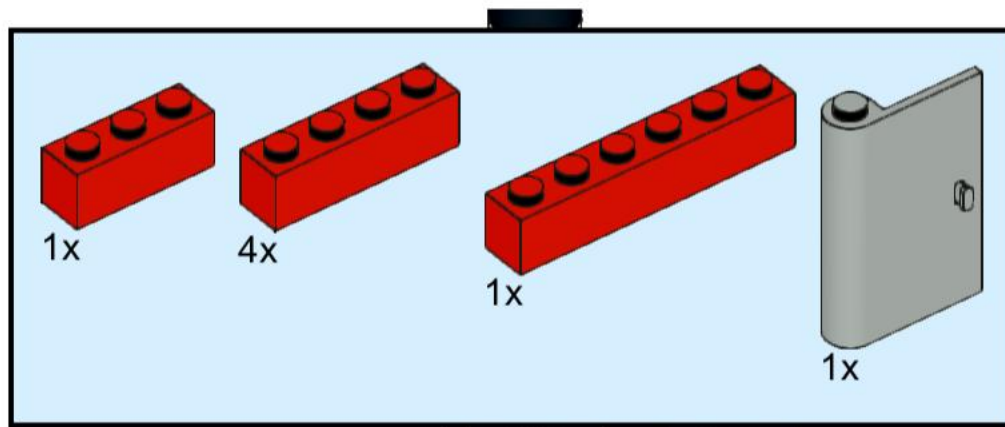


33

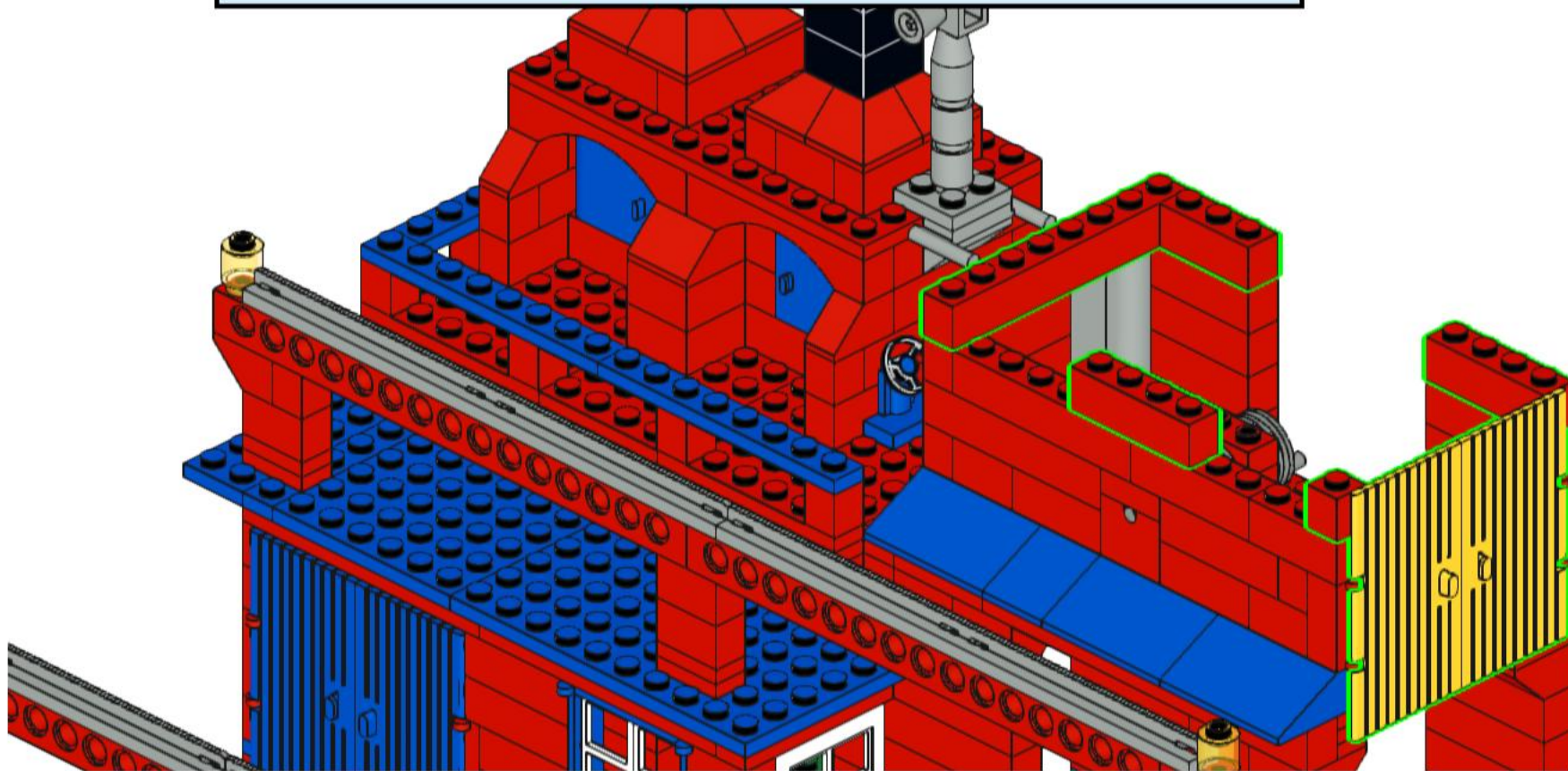
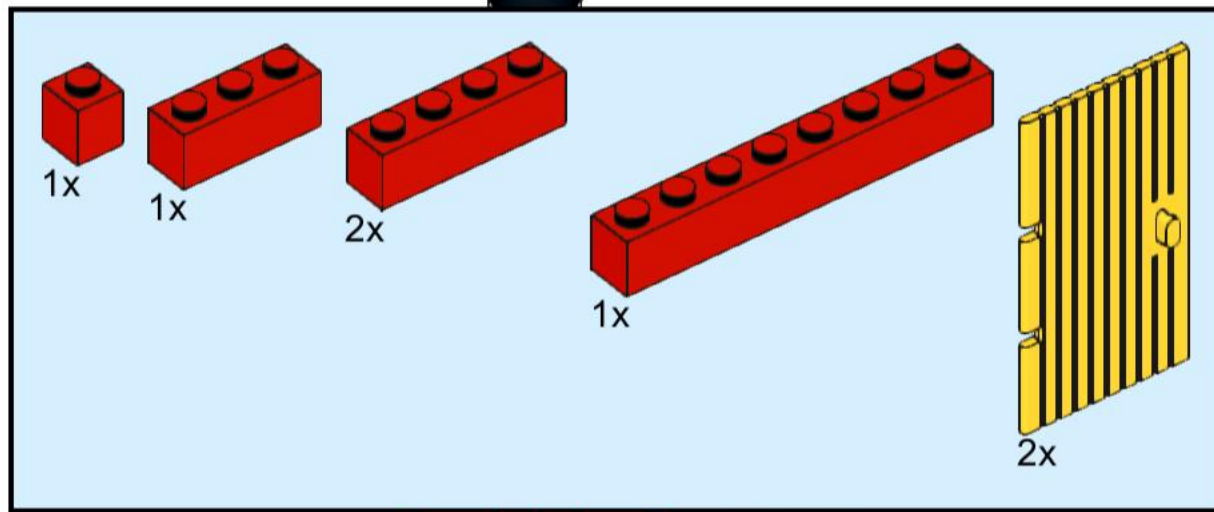


I have no idea where the winch is incorporated. I thought it looked nice here in the wall, even if it does not appear in the Ideas Book. If another location is used for the winch, put two 1x6 bricks in the bottom row and two 1x6 and one 1x1 brick above.

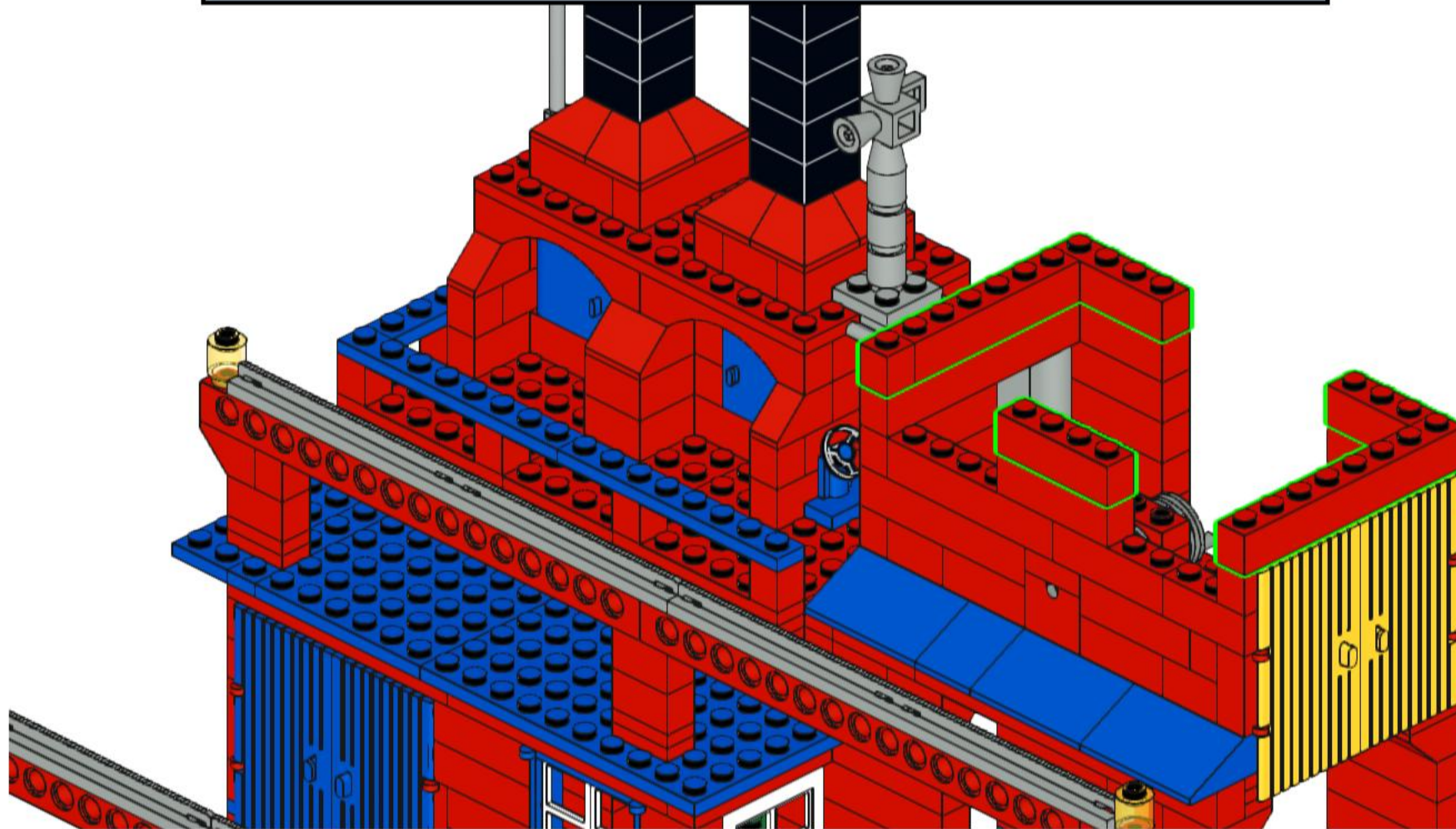
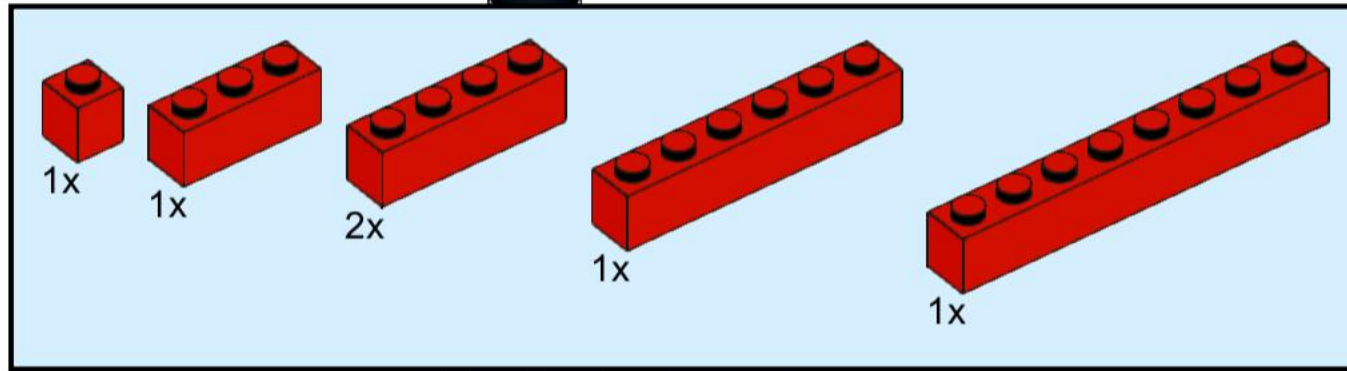
34



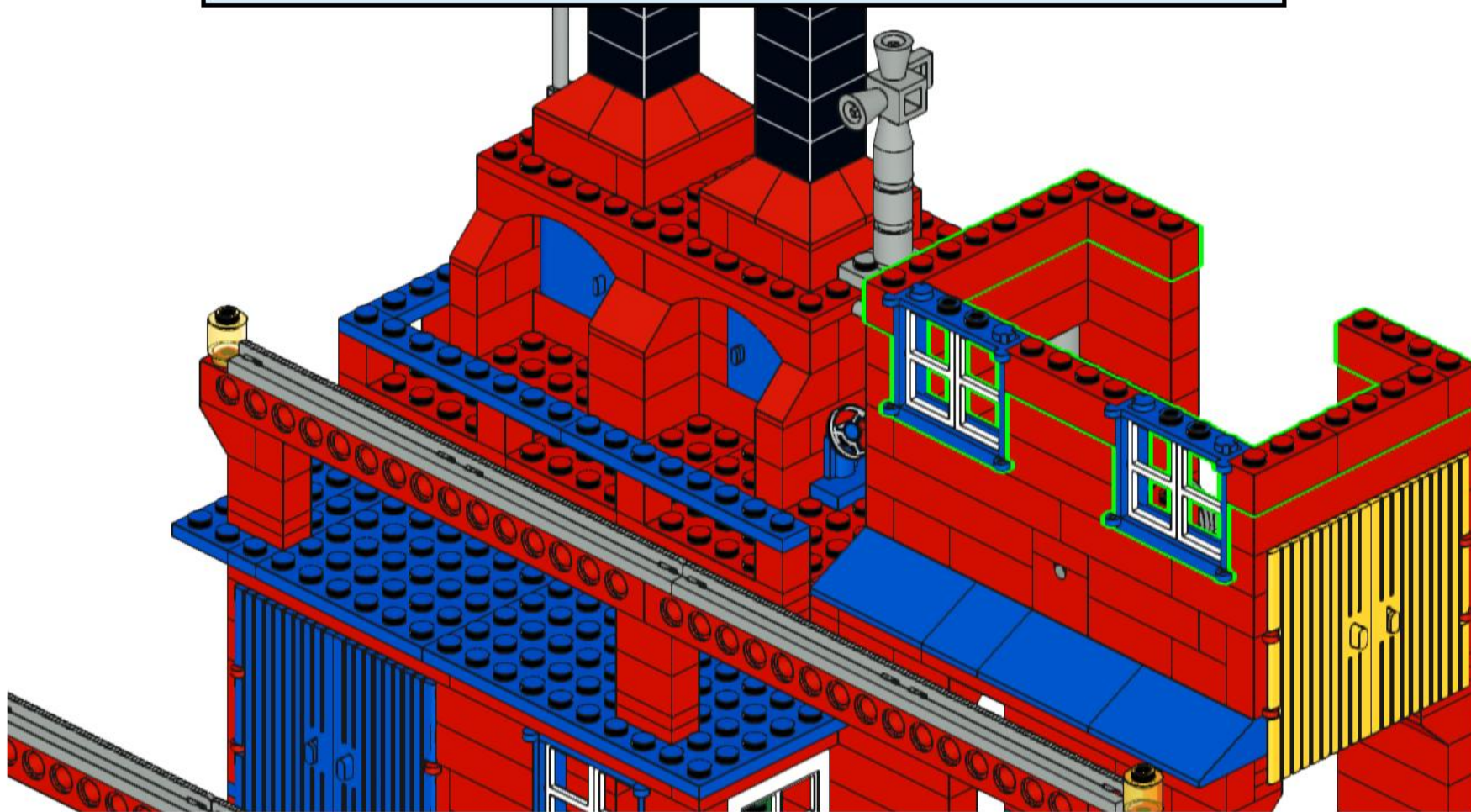
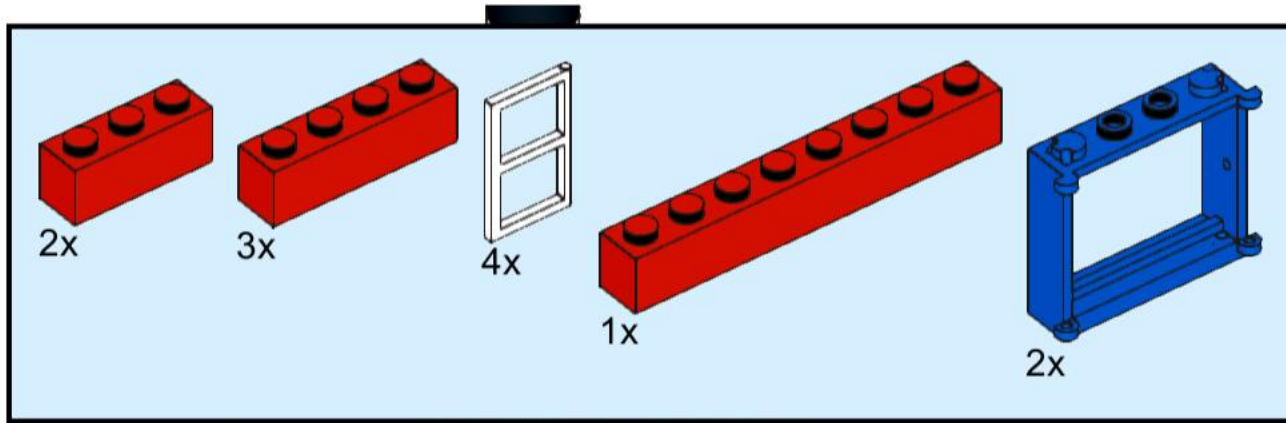
35



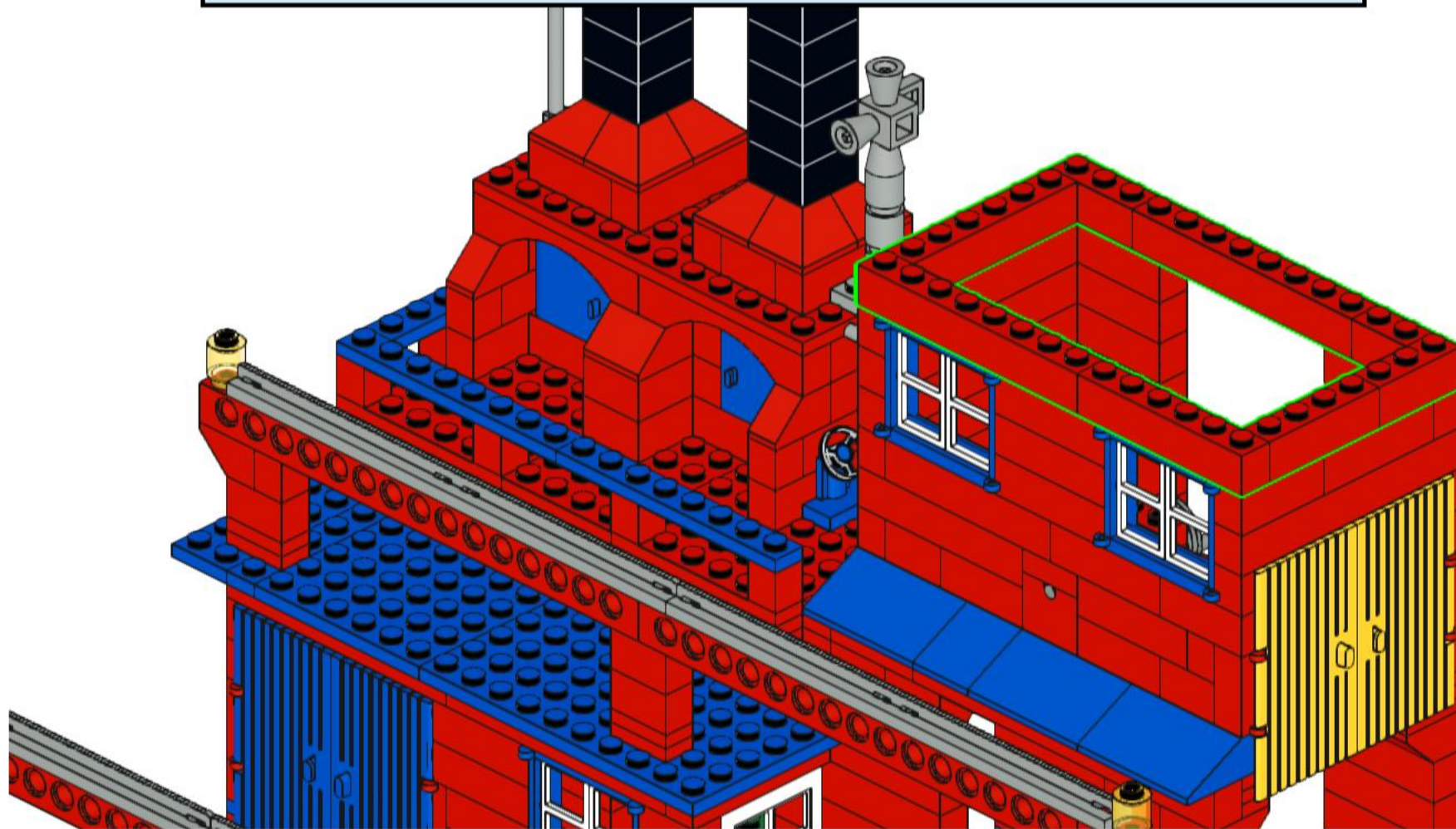
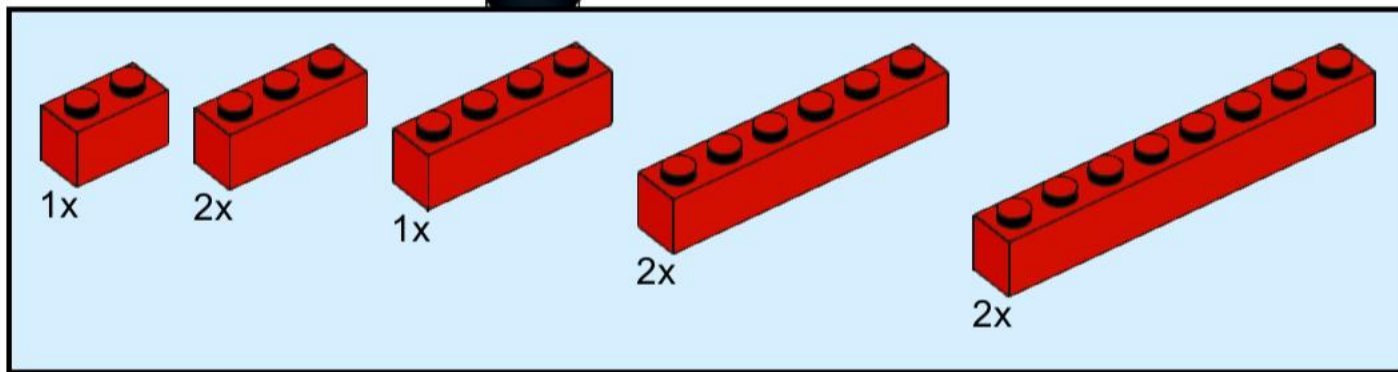
36



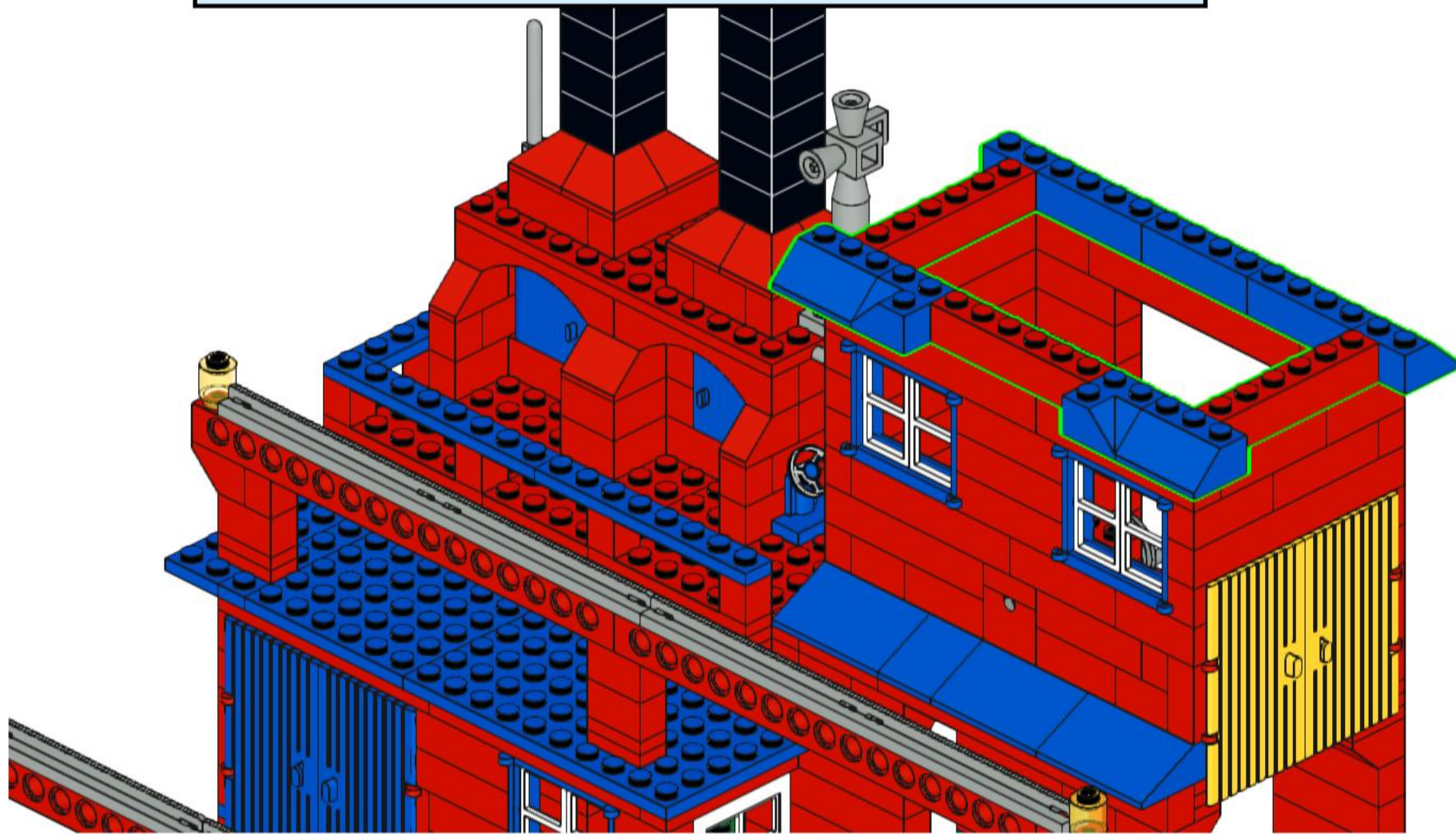
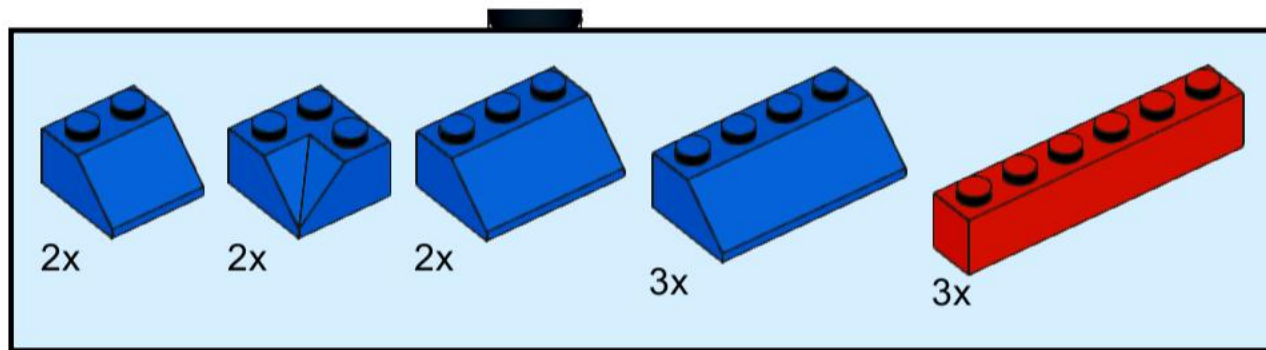
37



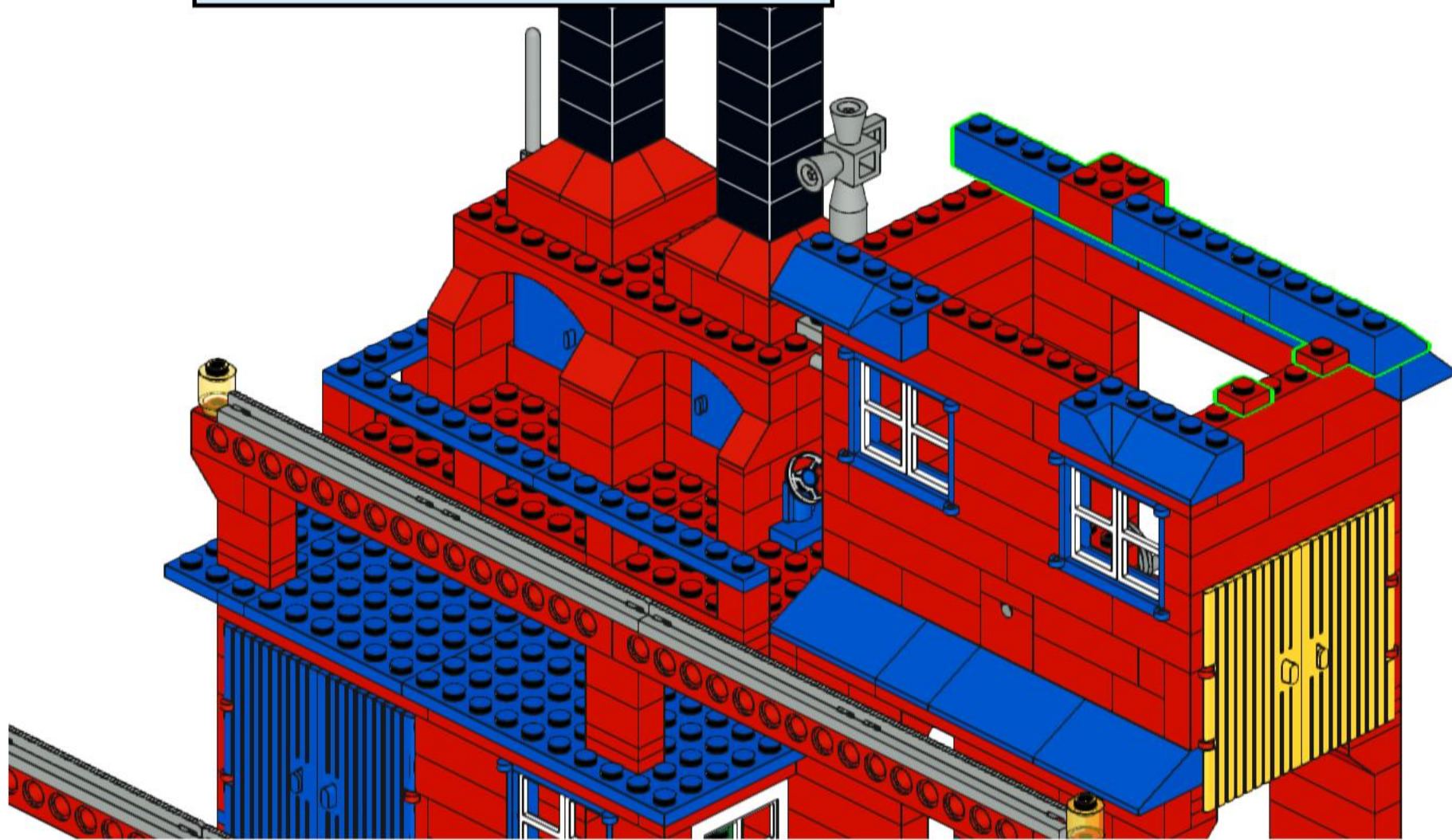
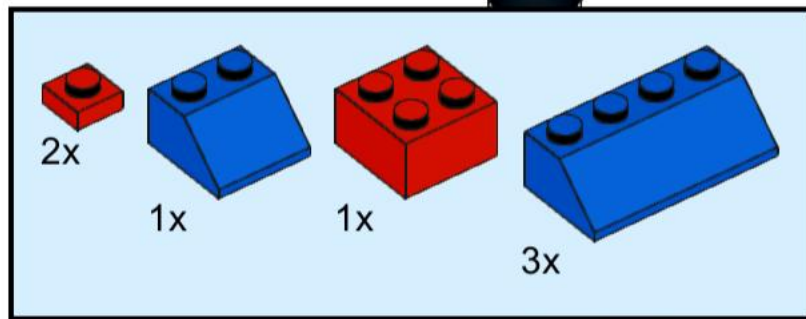
38



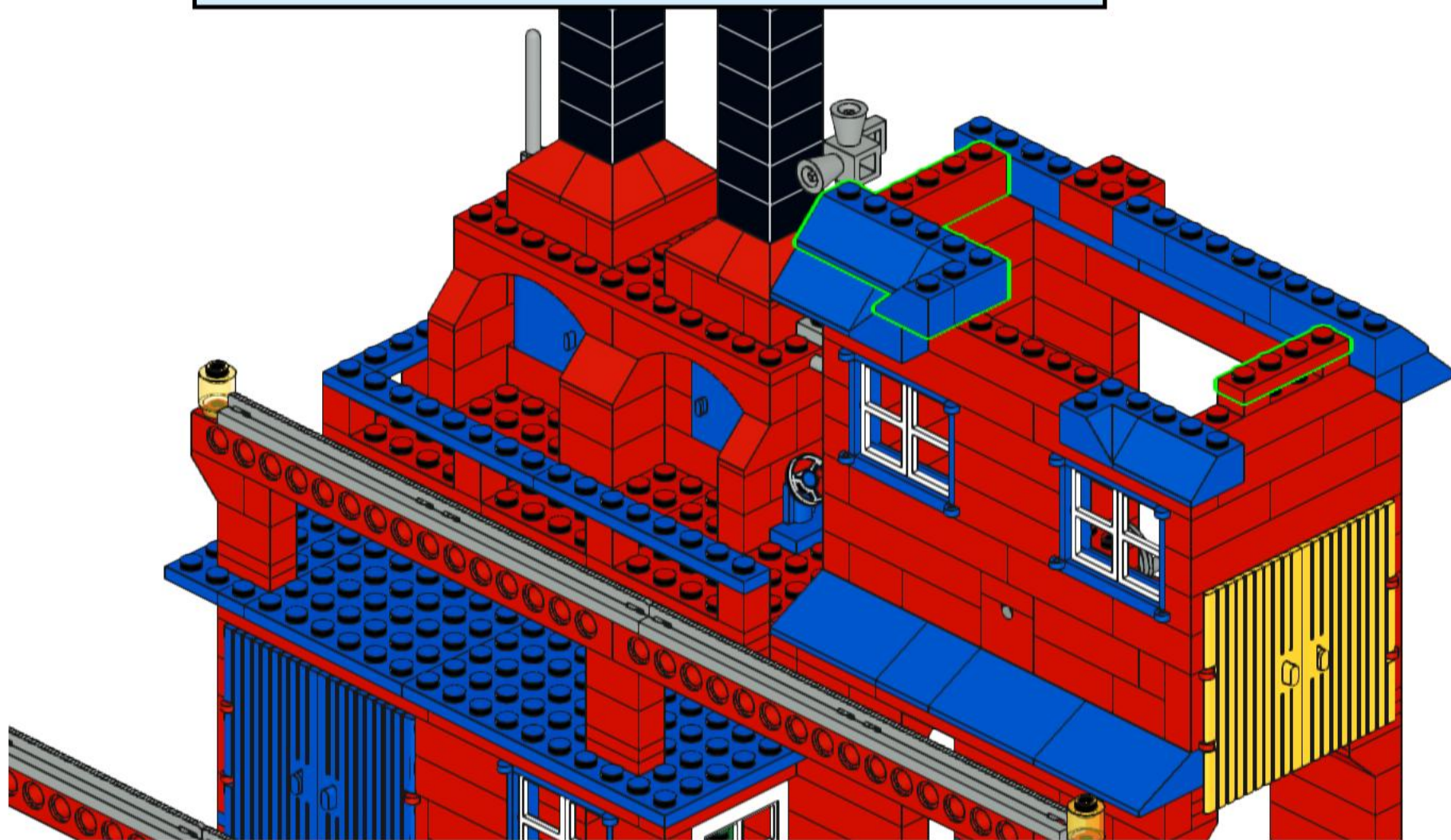
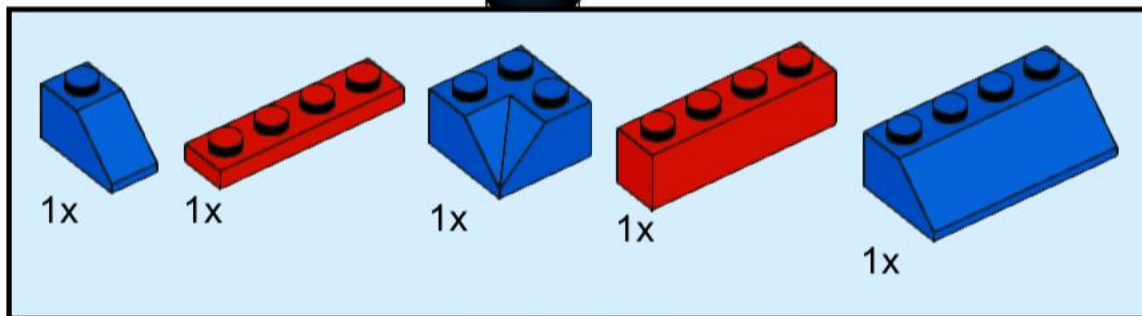
39



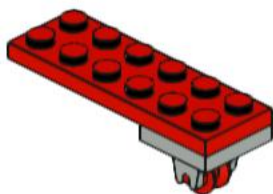
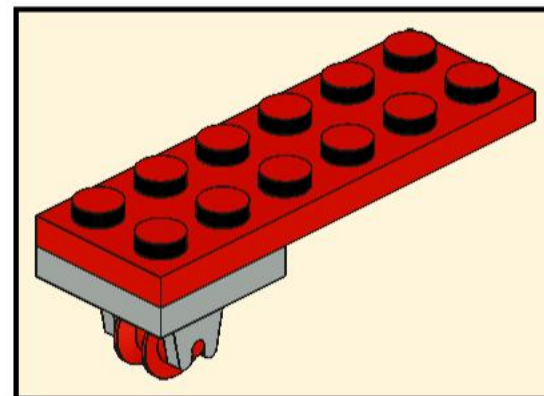
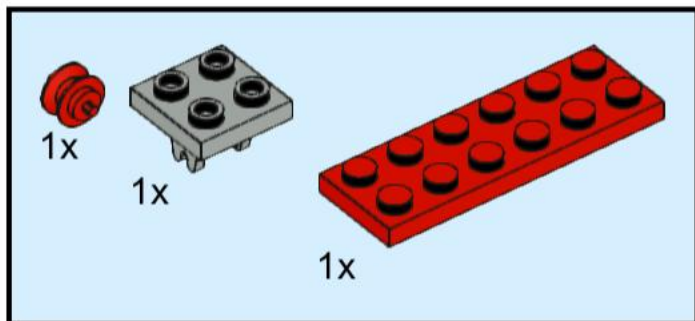
40



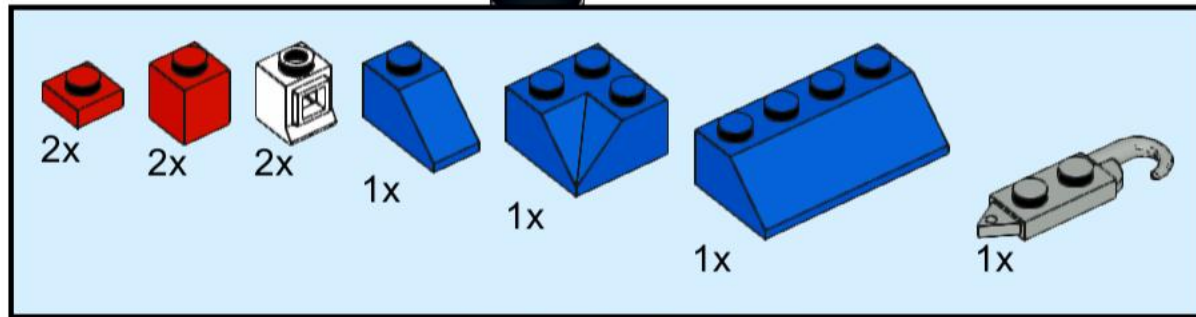
41



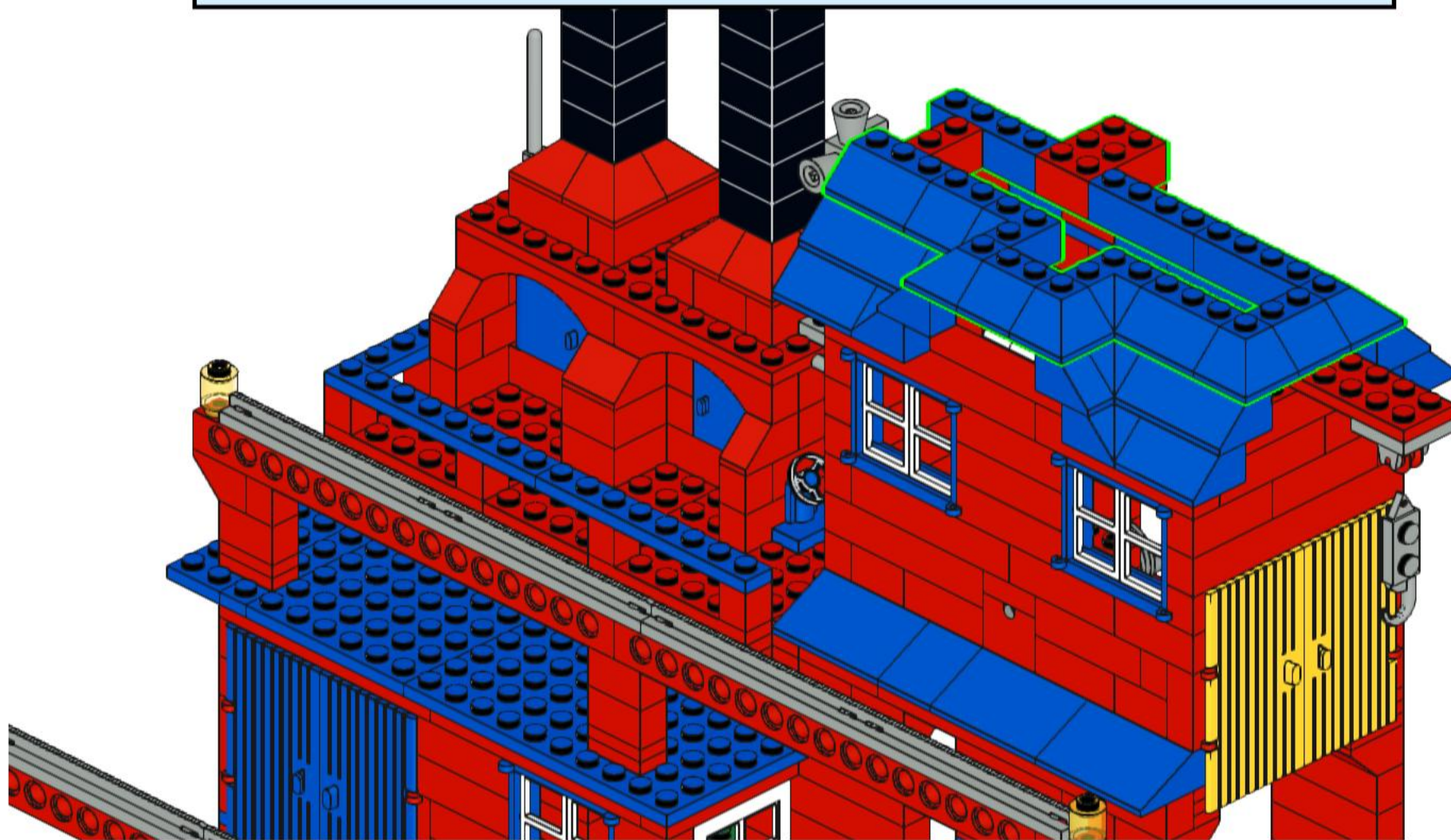
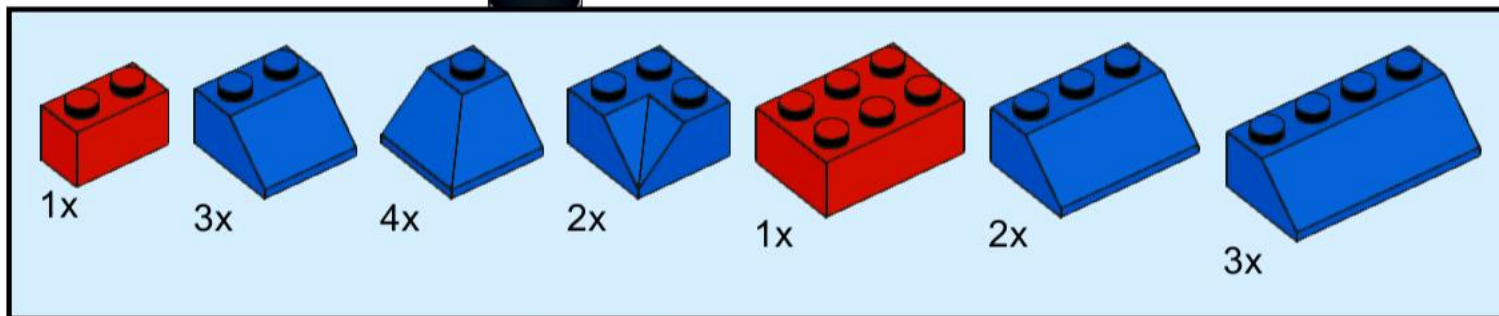
42



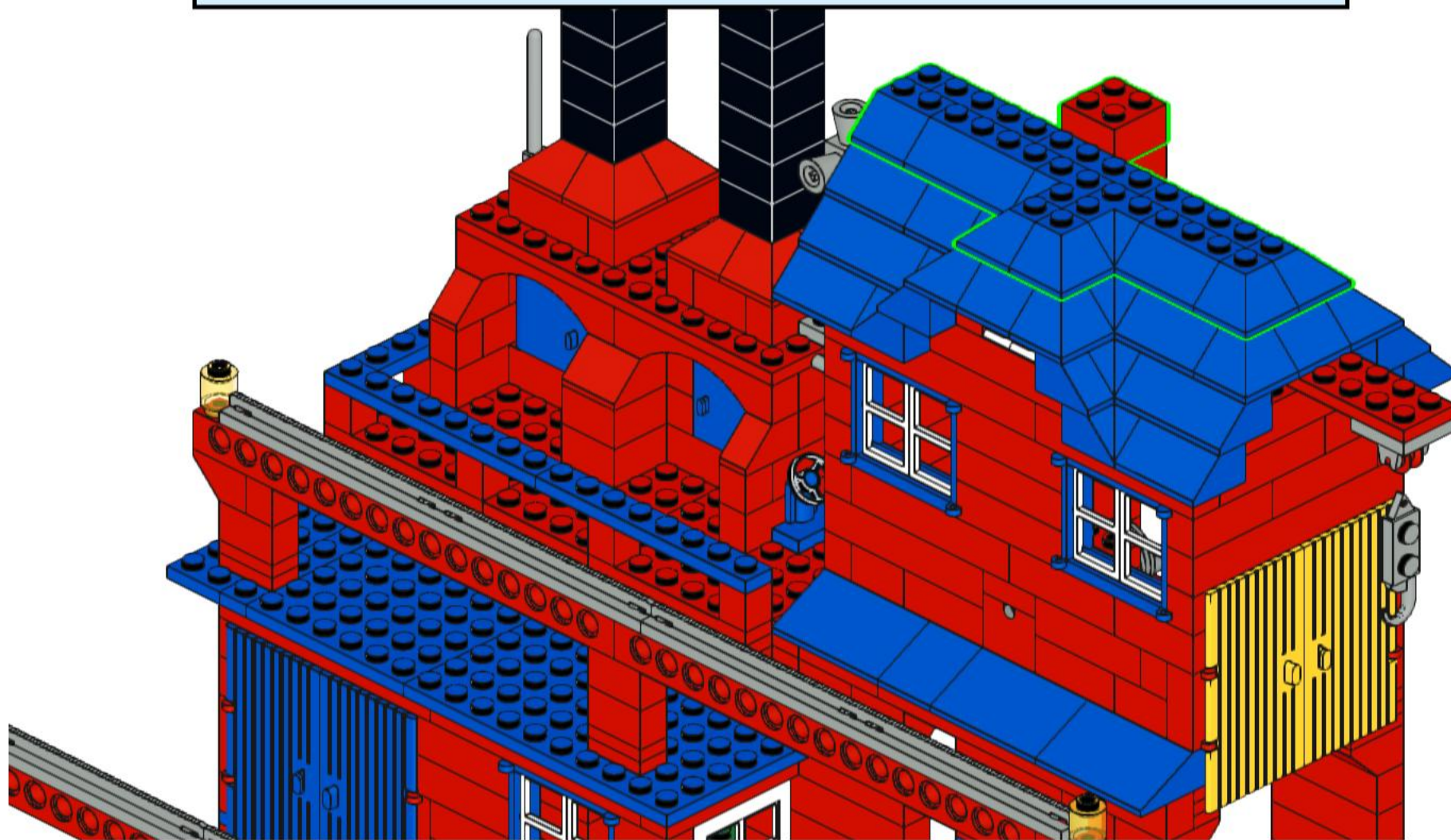
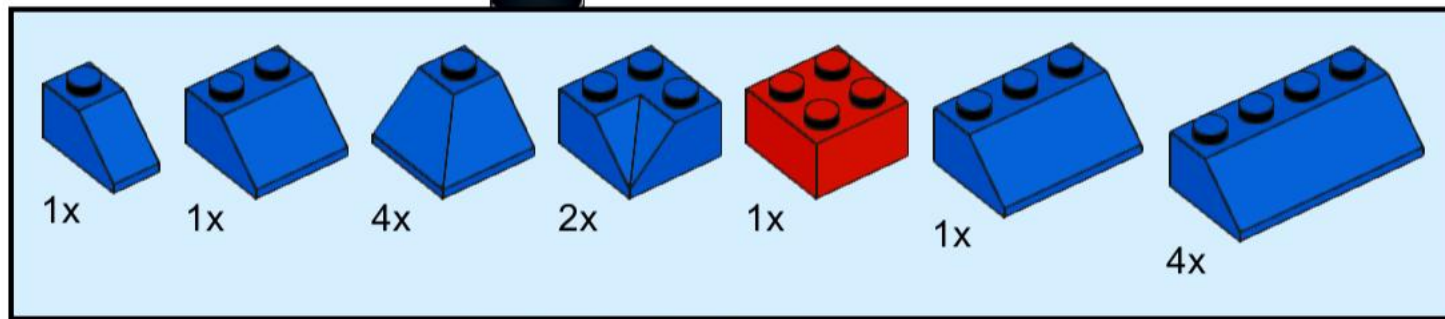
43



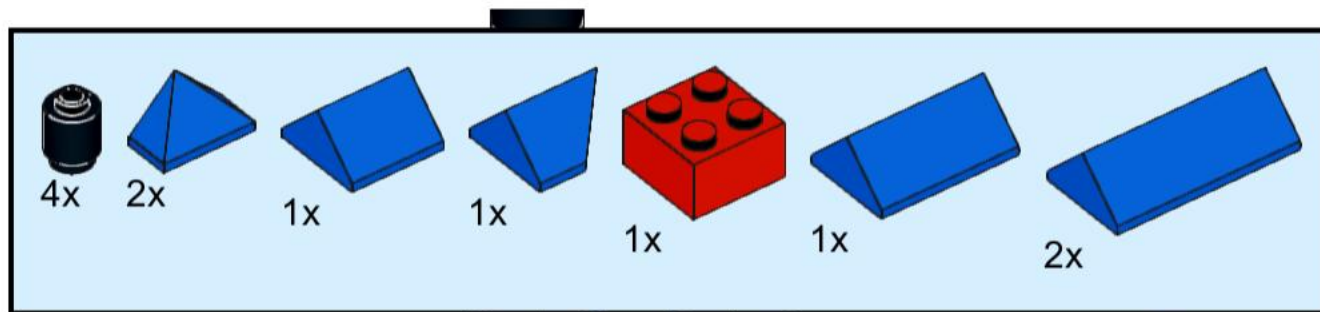
44



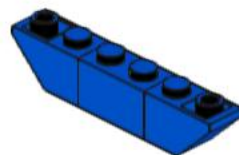
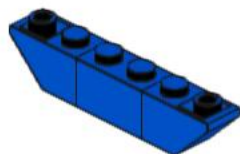
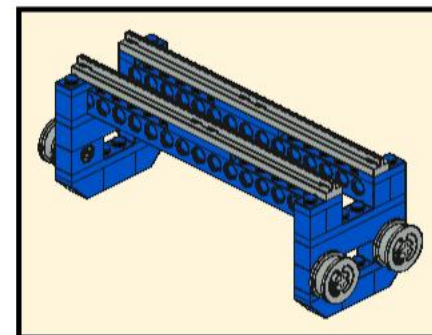
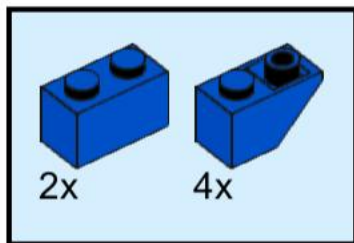
45



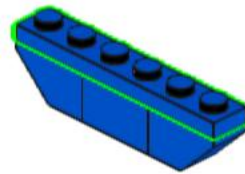
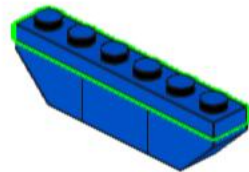
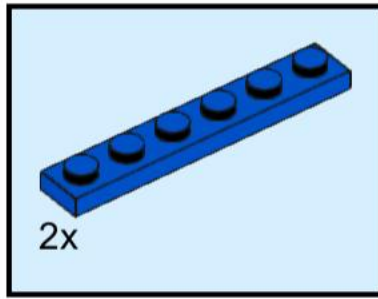
46



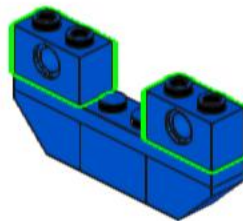
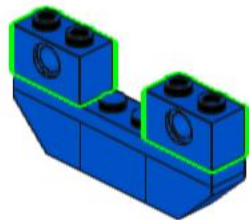
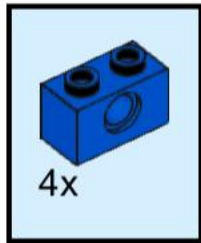
47



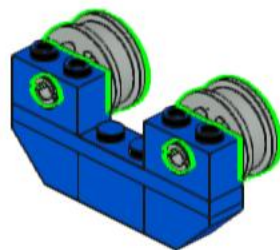
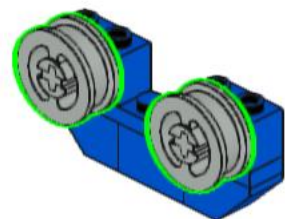
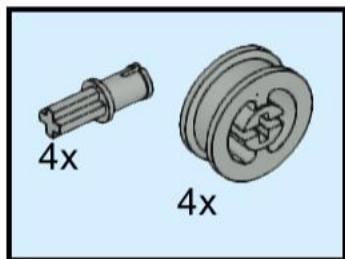
48



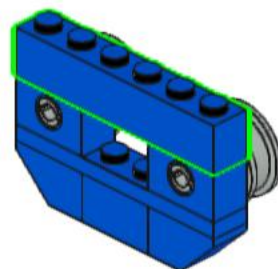
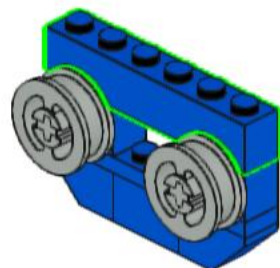
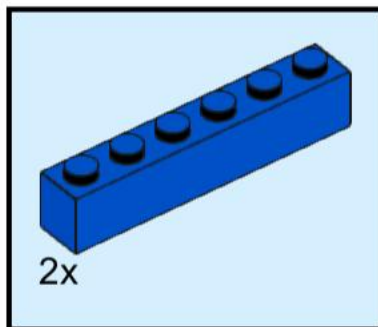
49



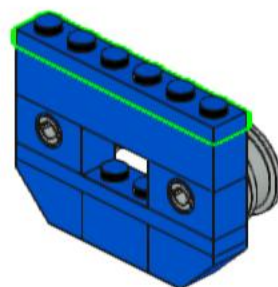
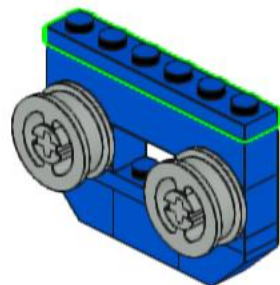
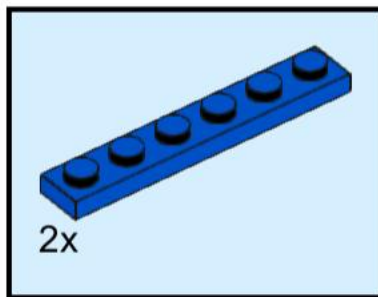
50



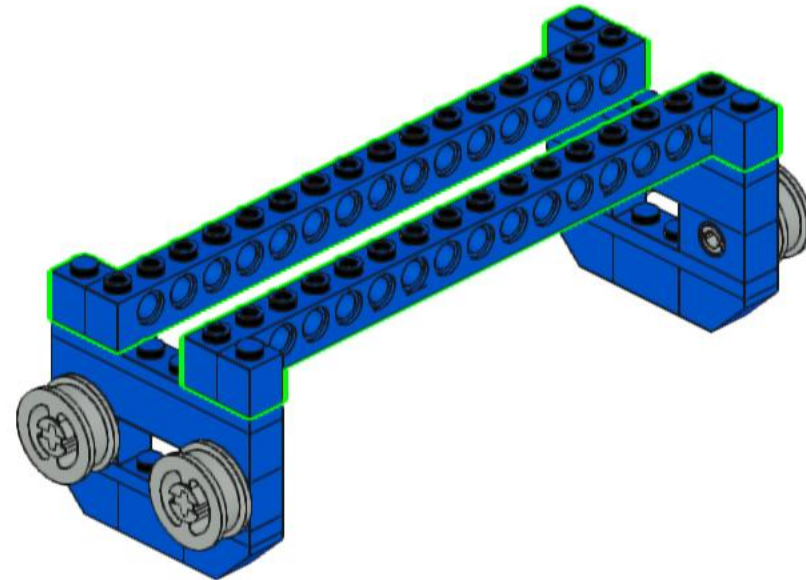
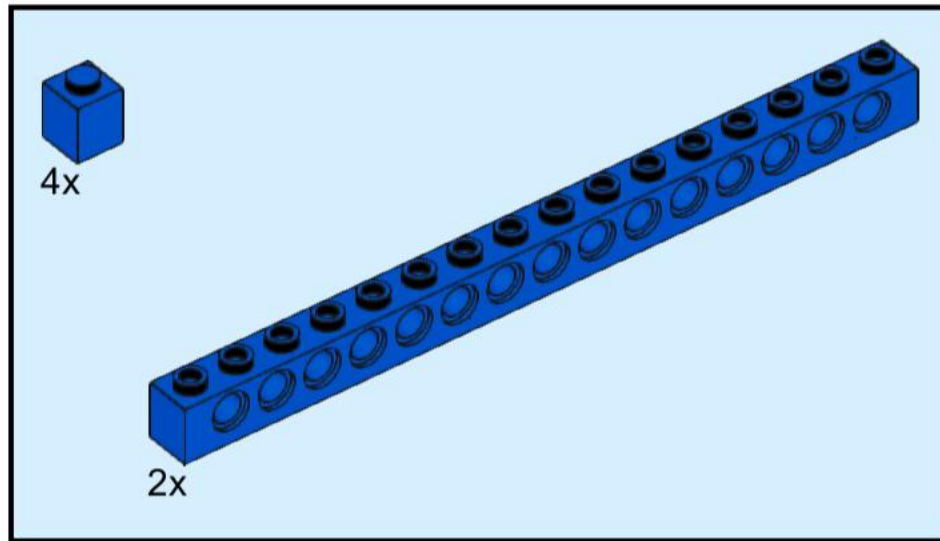
51



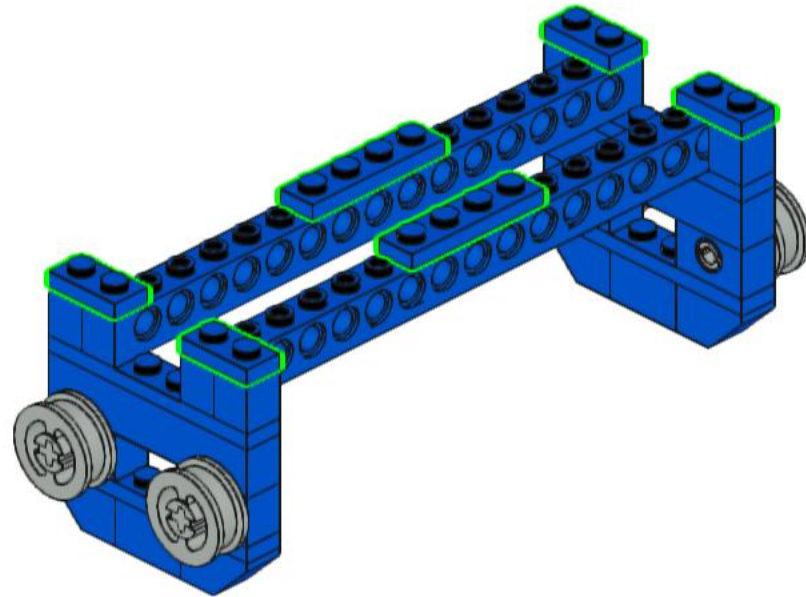
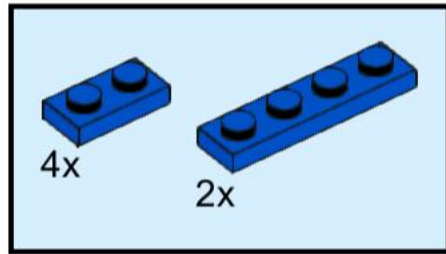
52



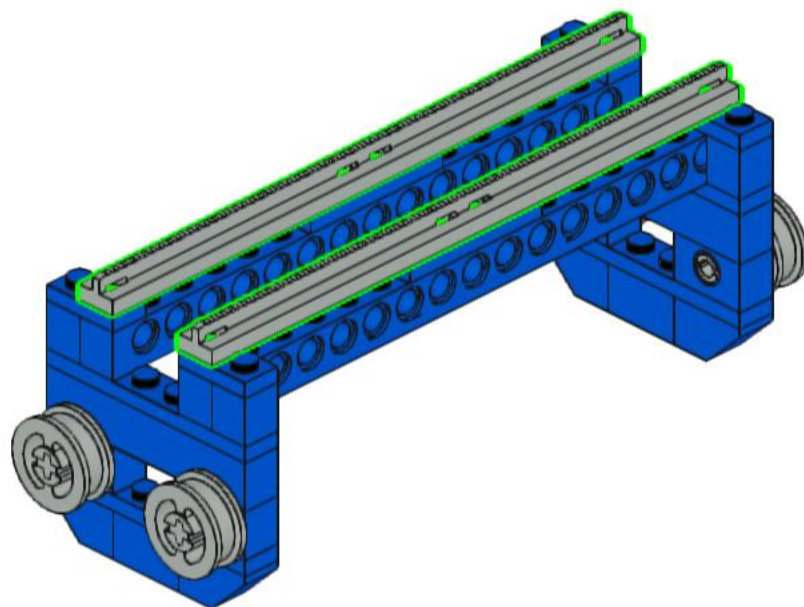
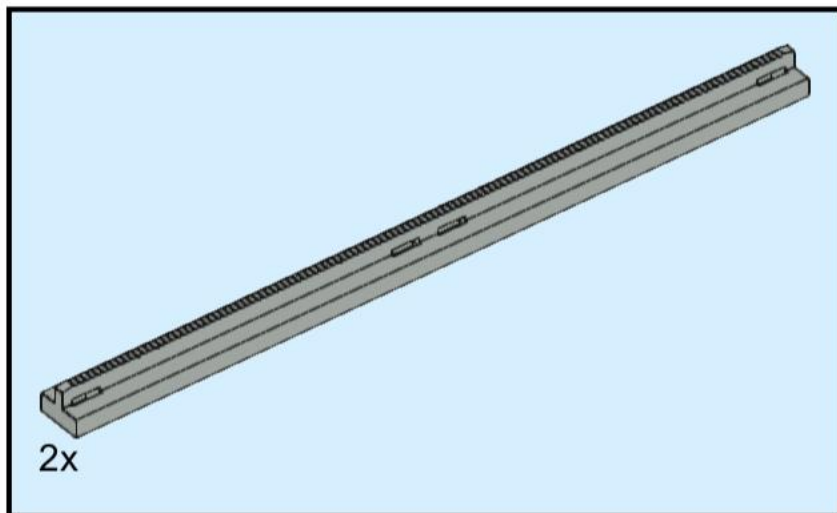
53



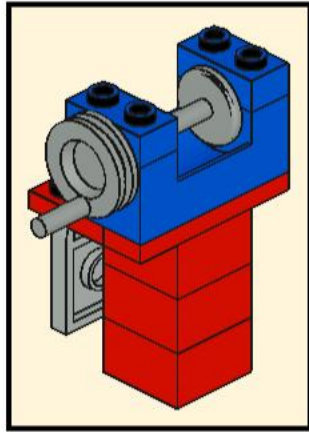
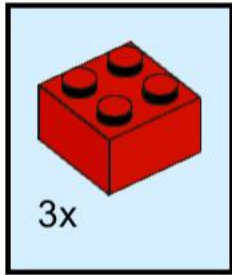
54



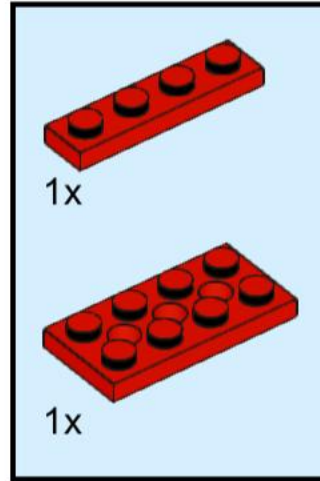
55



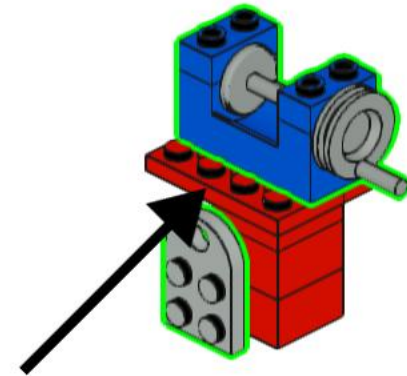
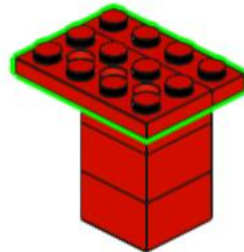
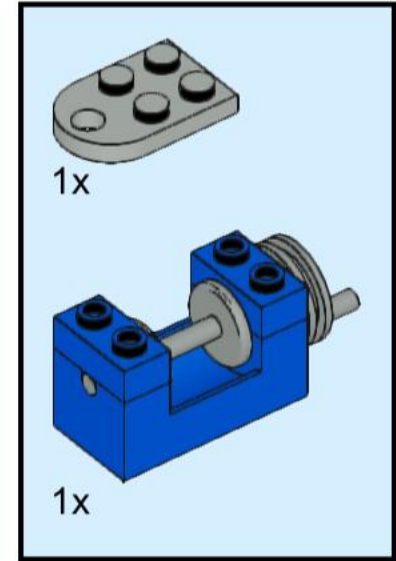
56



57

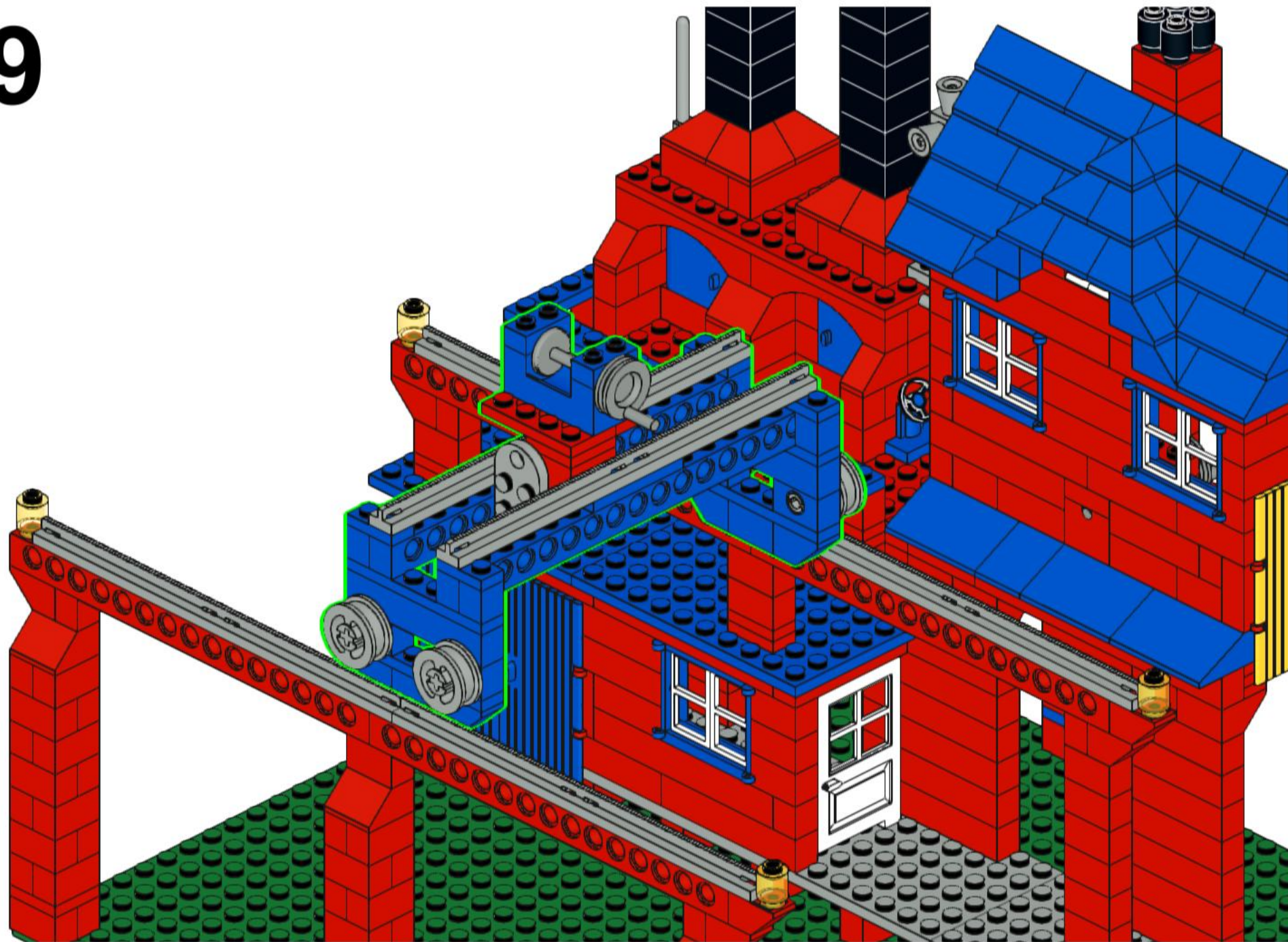


58

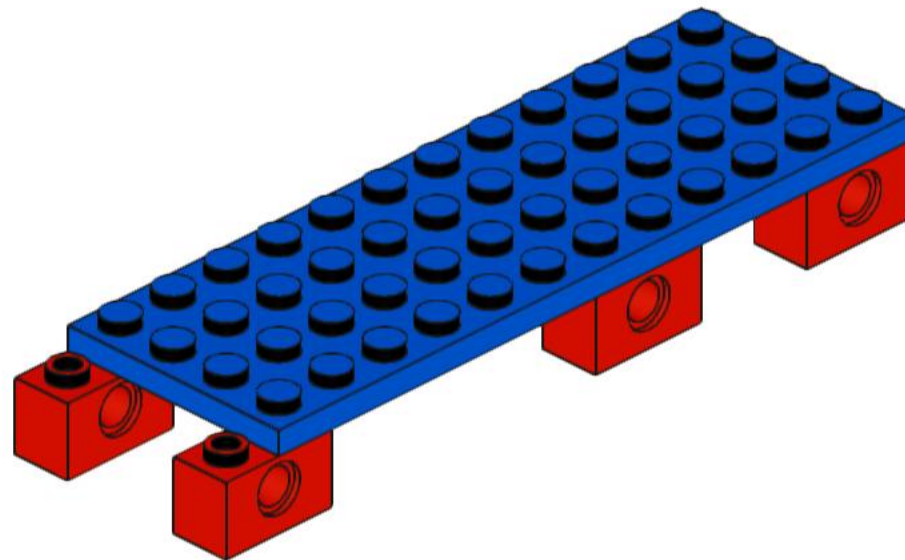
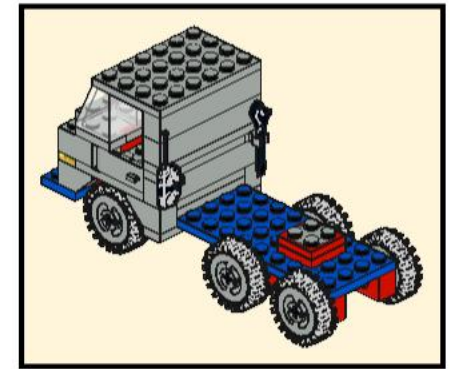
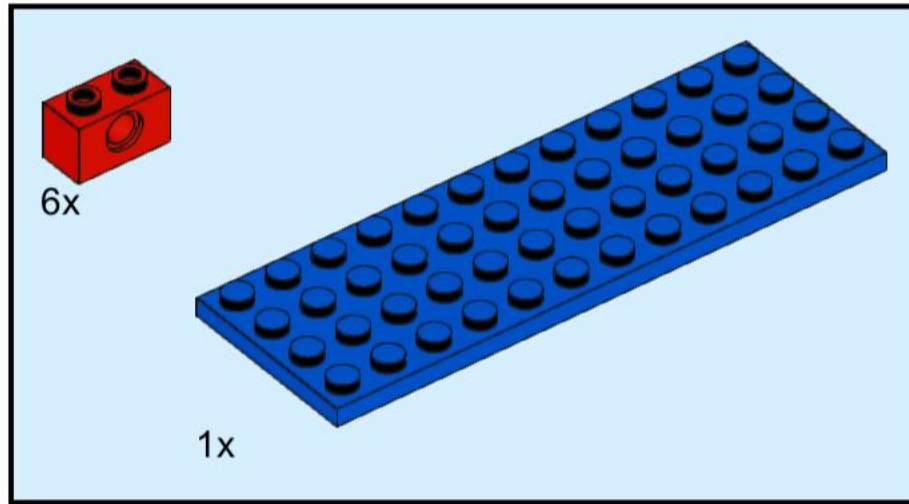


The string from the winch should be strung through the hole in the technic plate here.

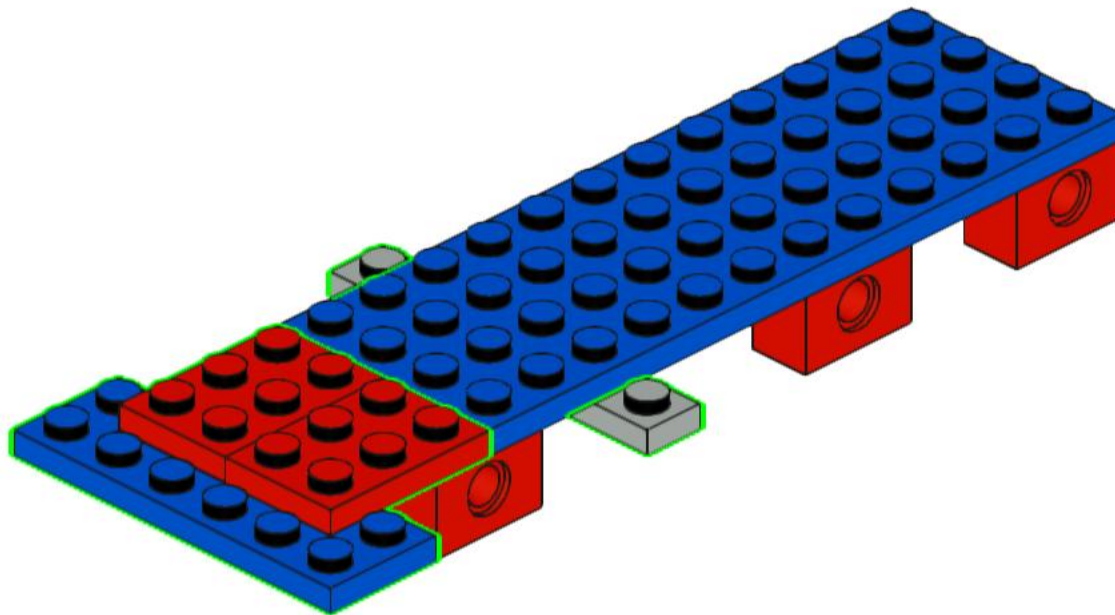
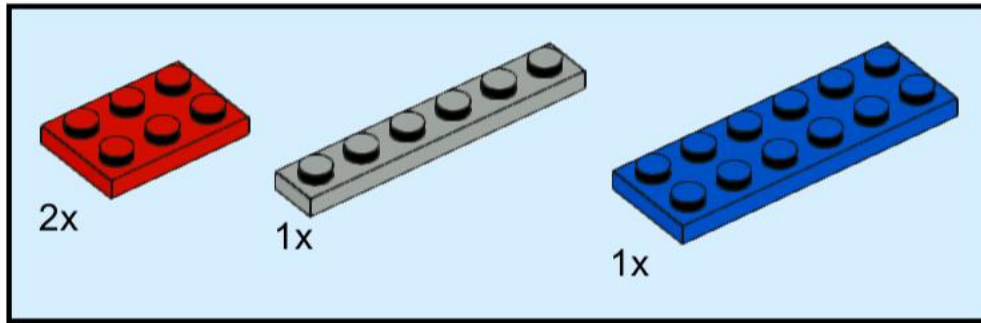
59



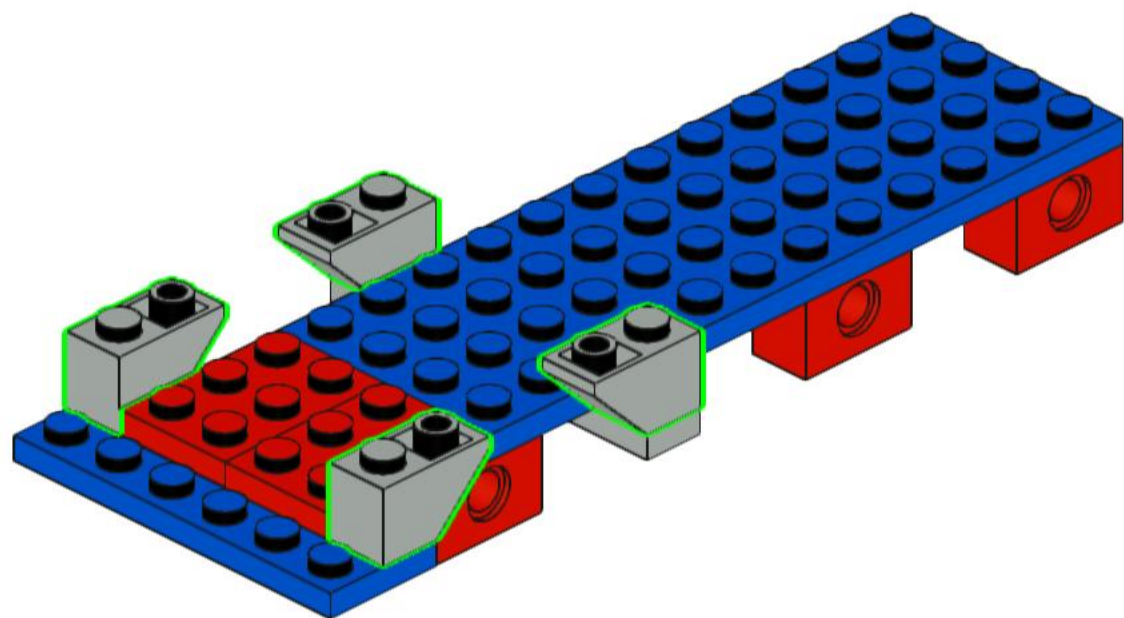
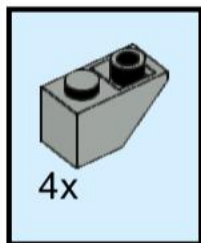
60



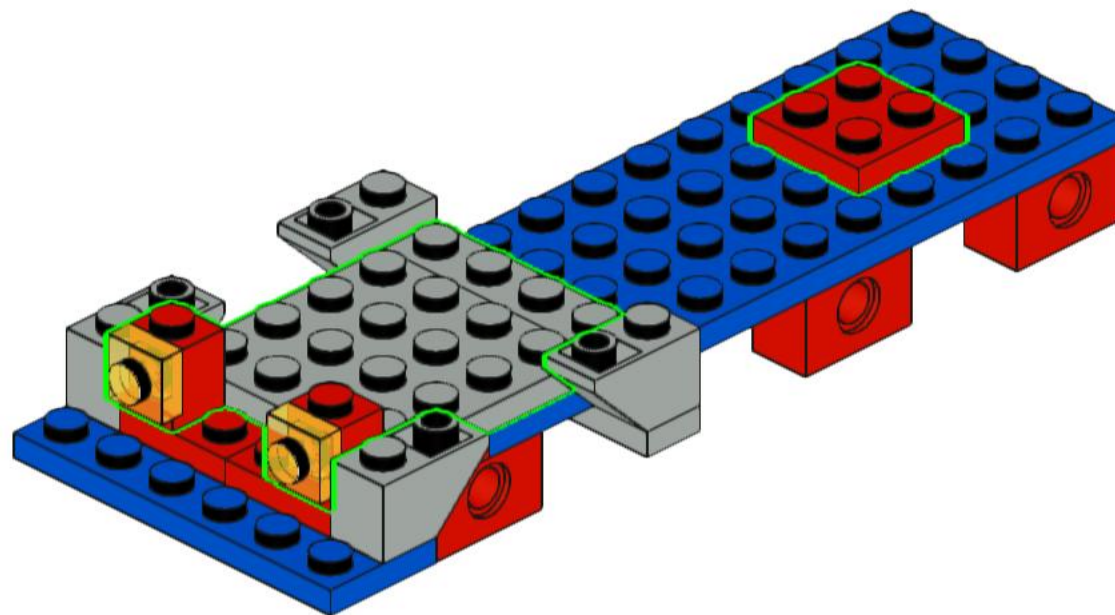
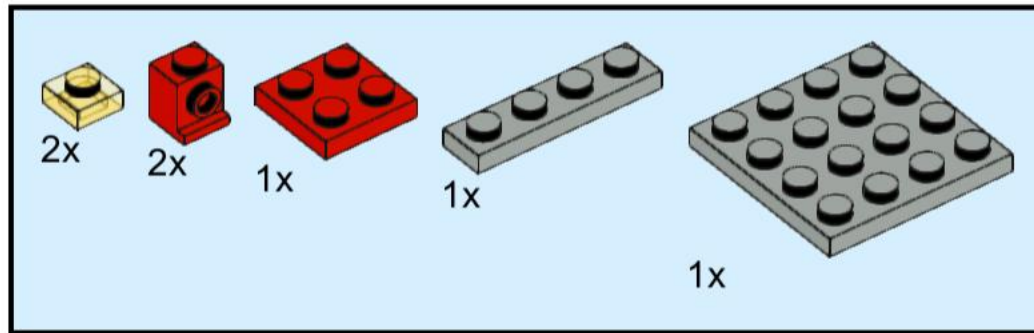
61



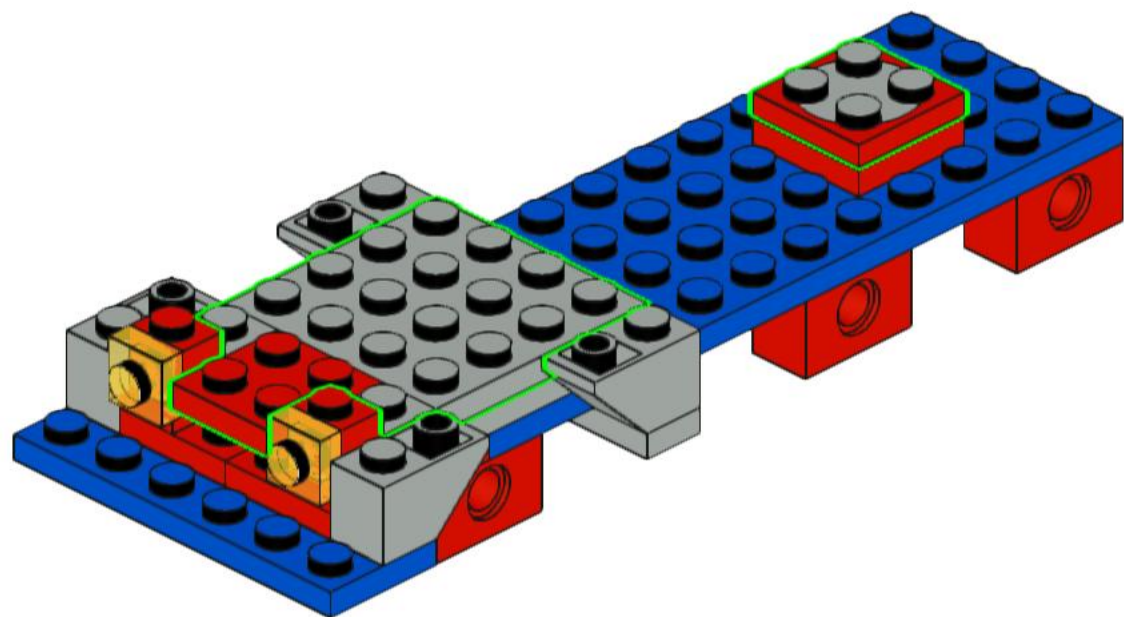
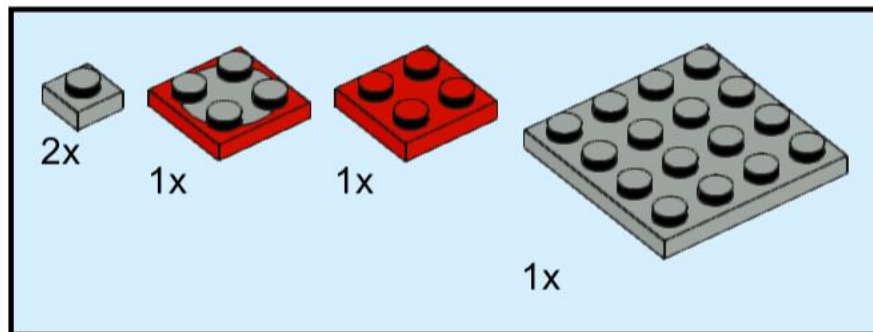
62



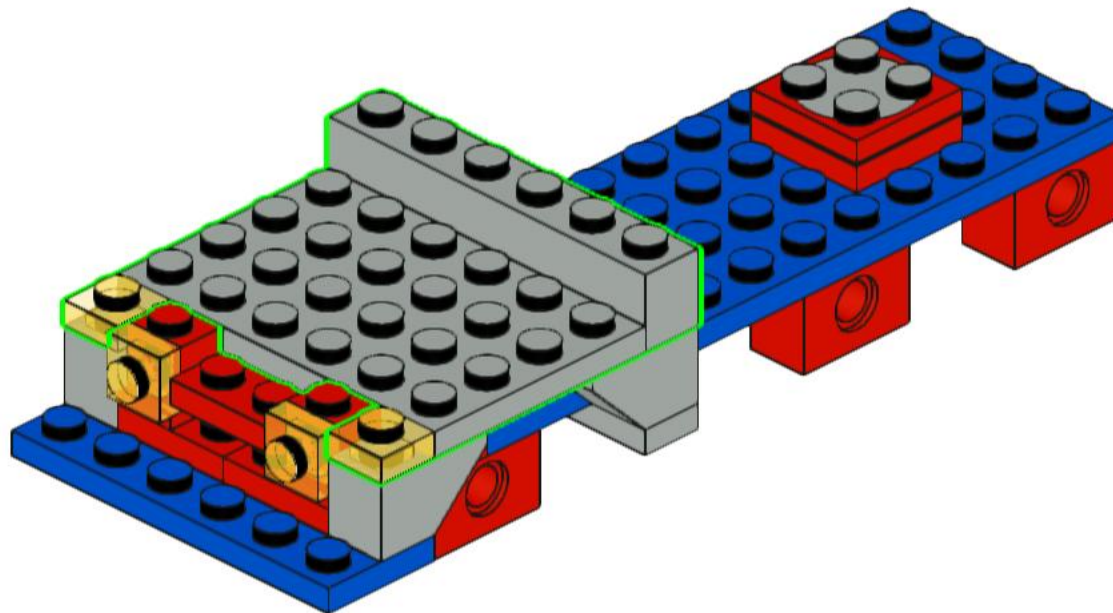
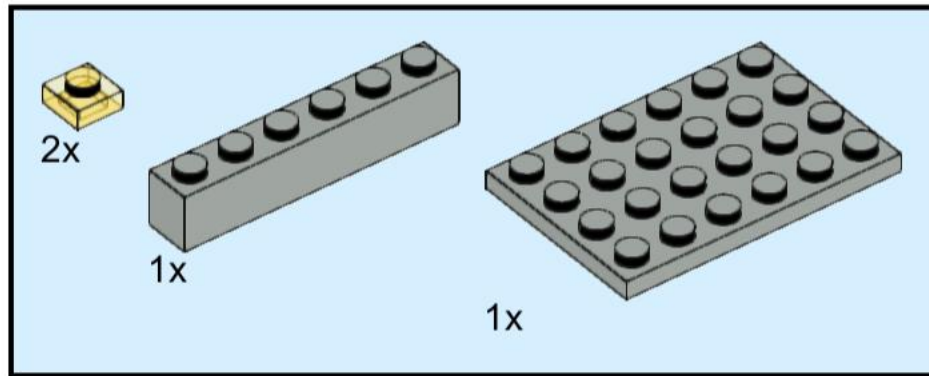
63



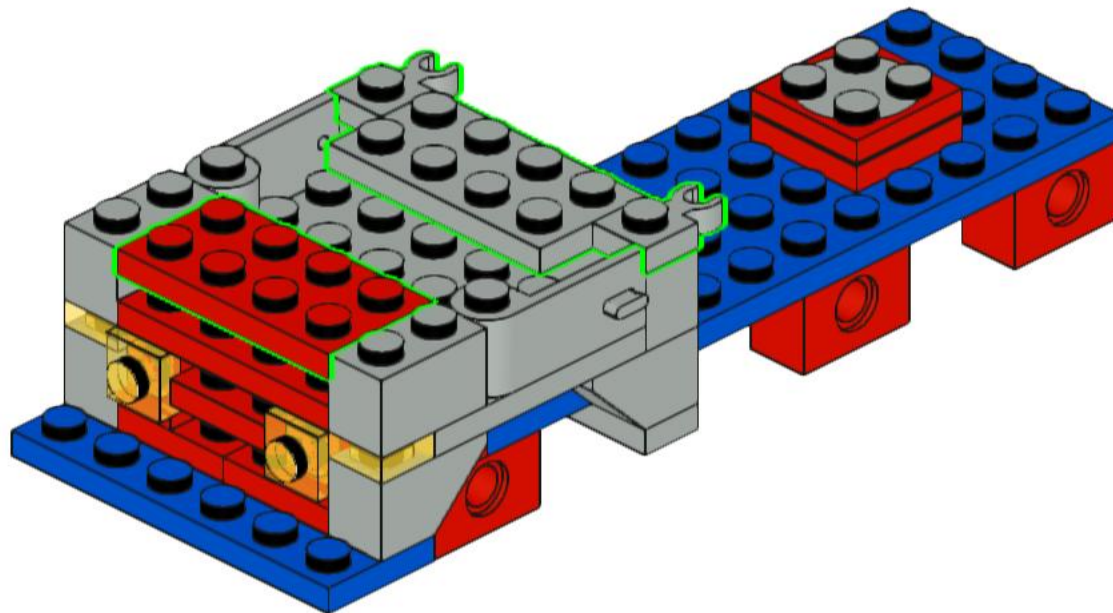
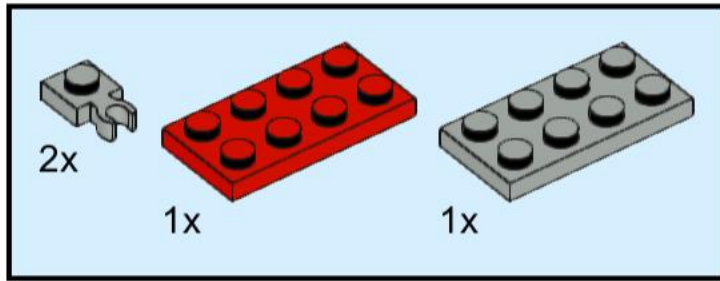
64



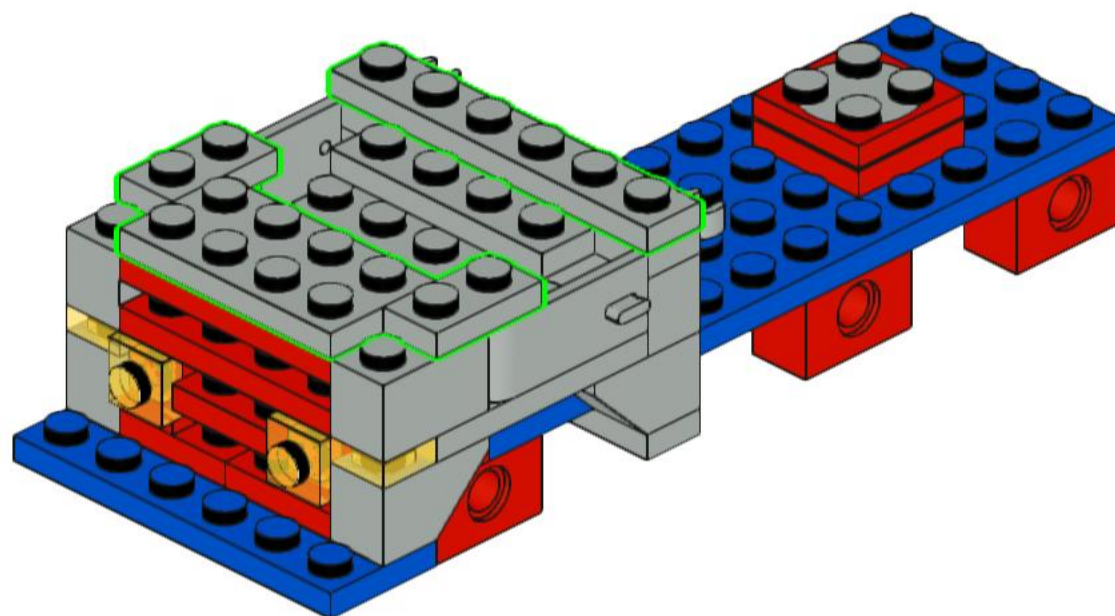
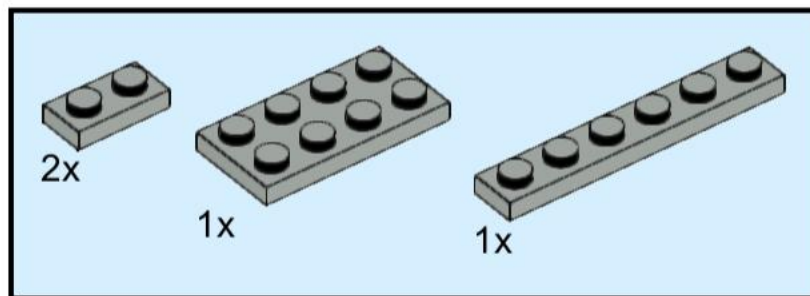
65



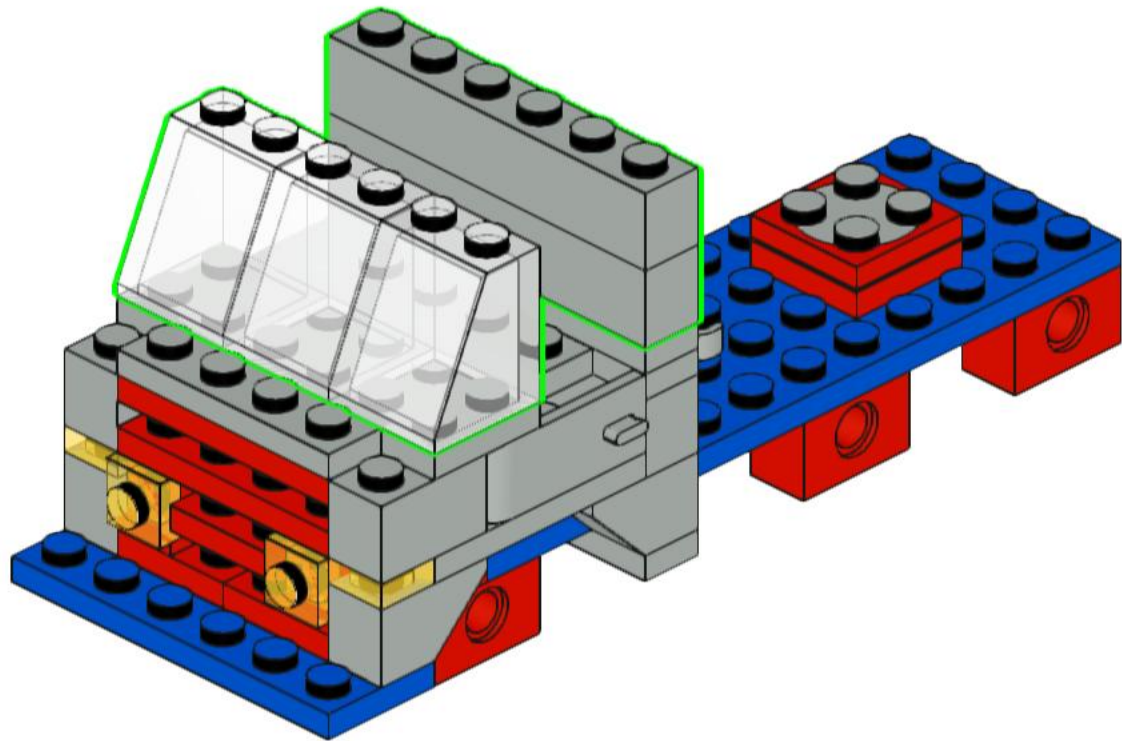
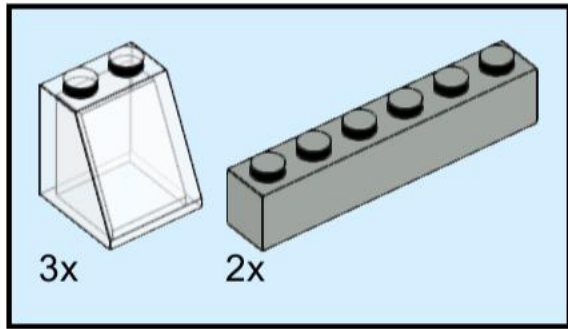
67



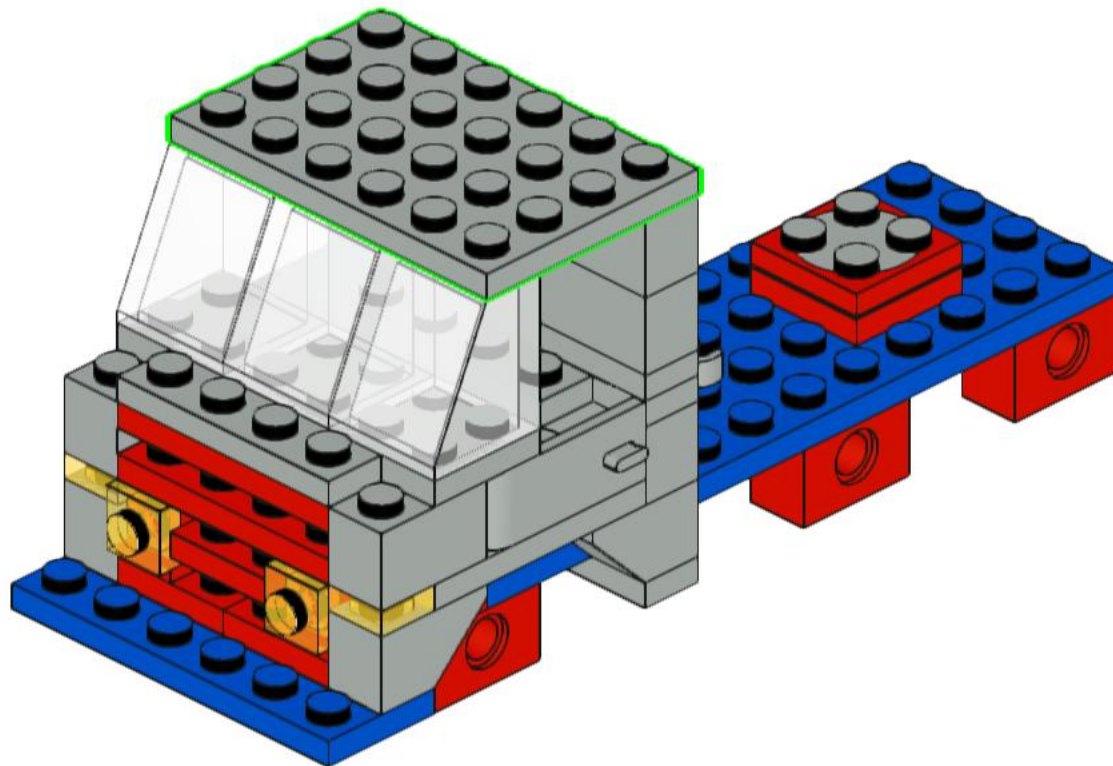
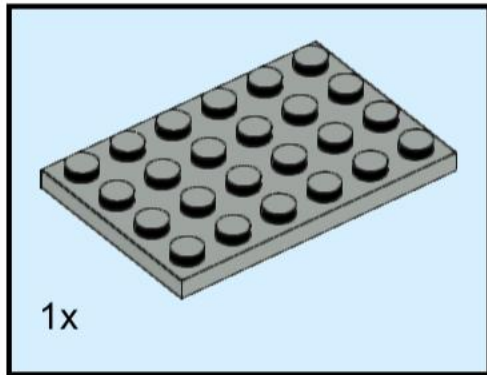
68



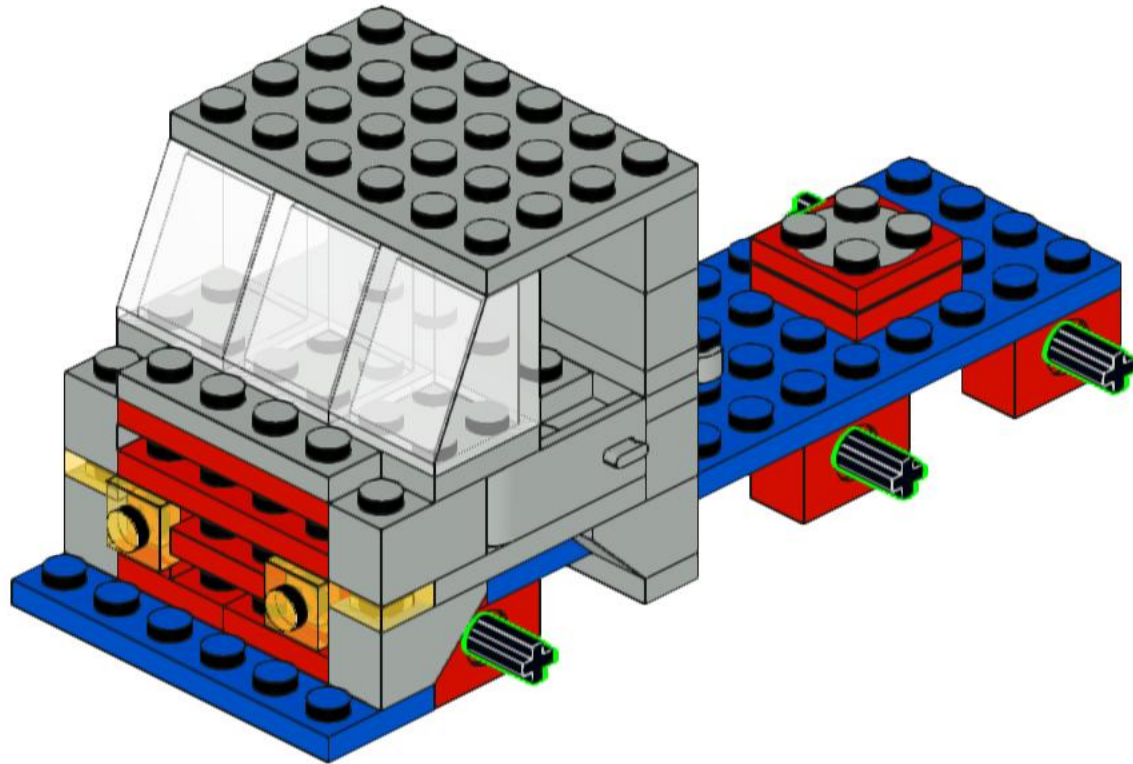
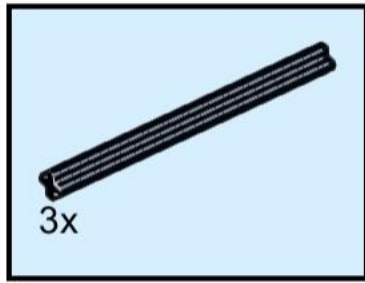
69



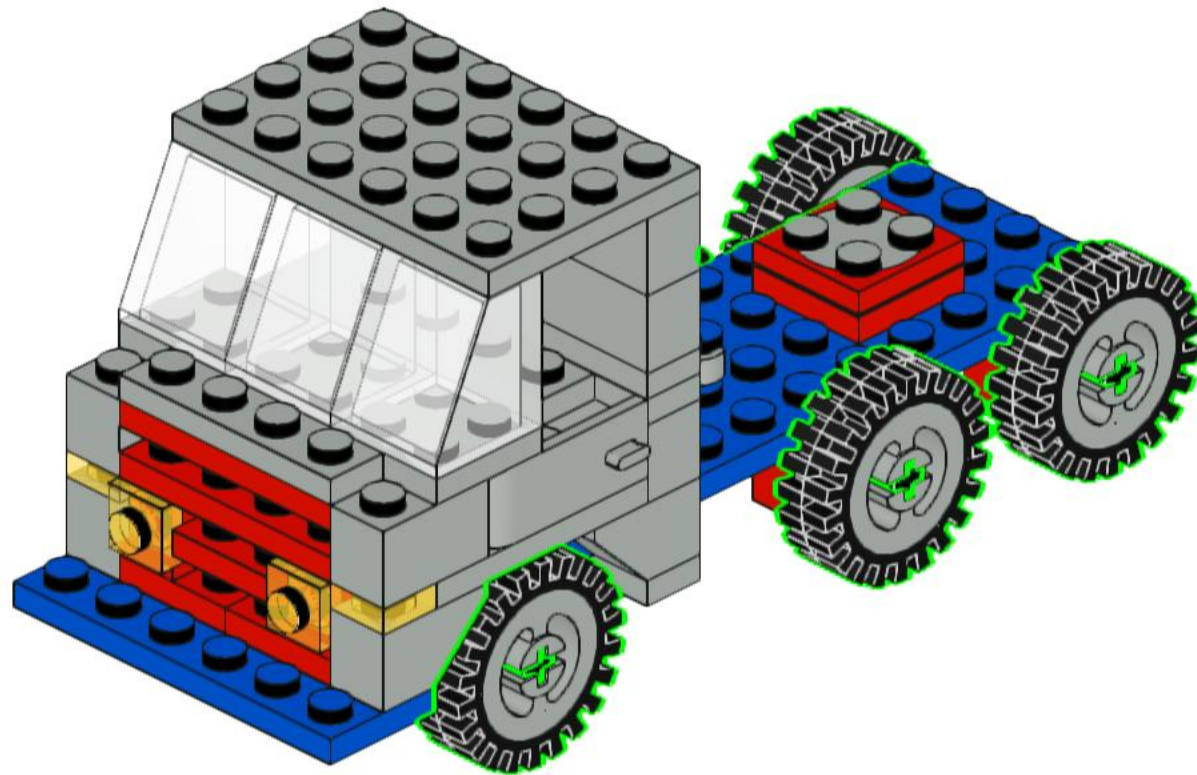
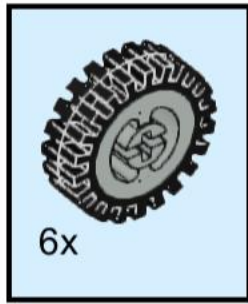
70



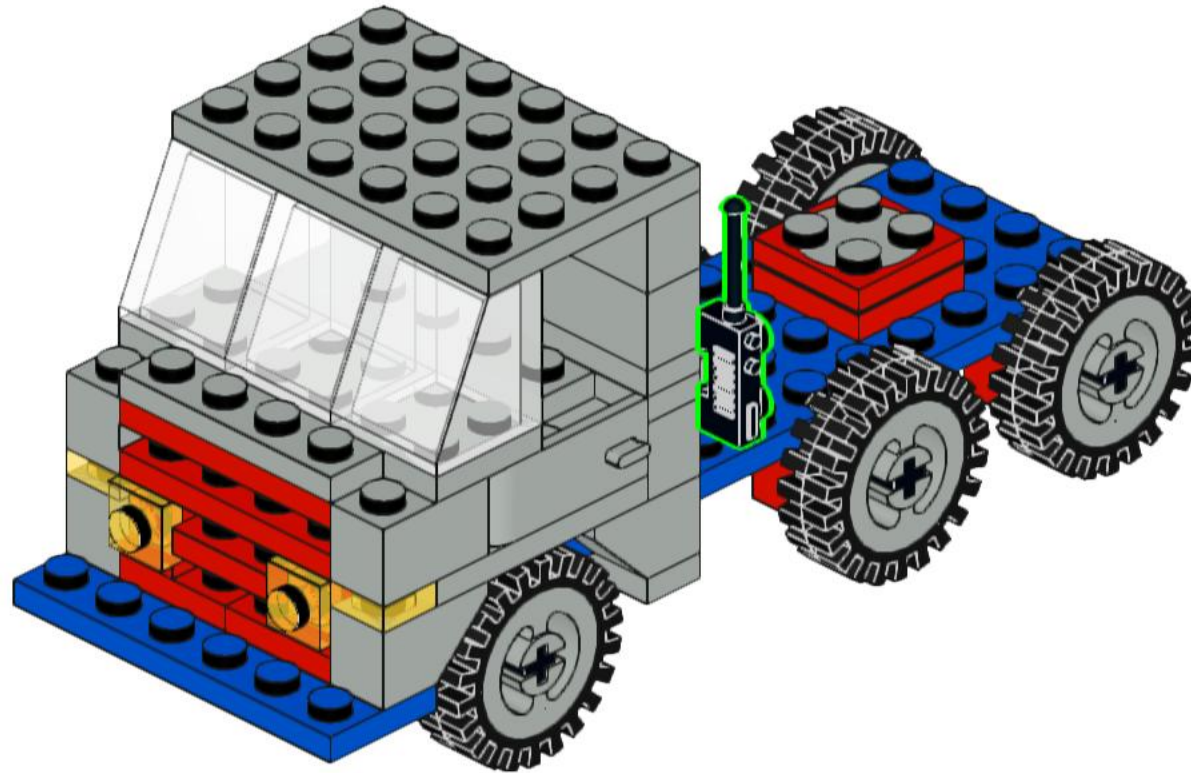
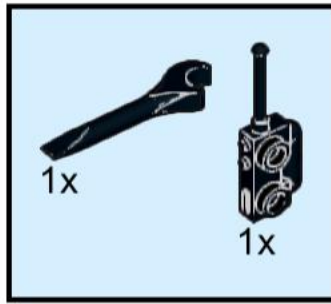
71



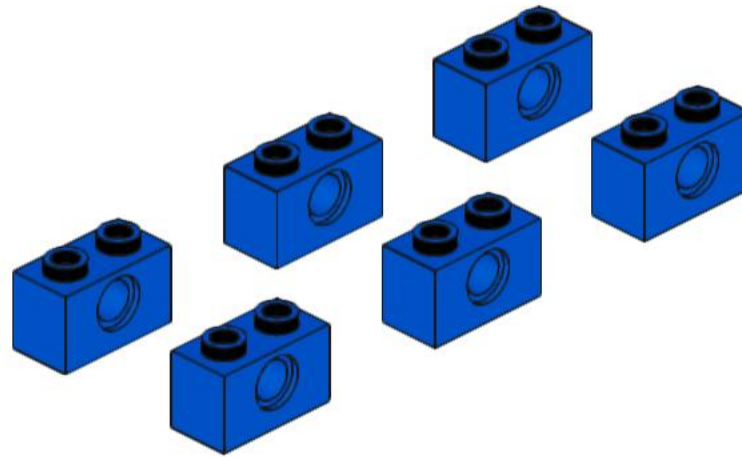
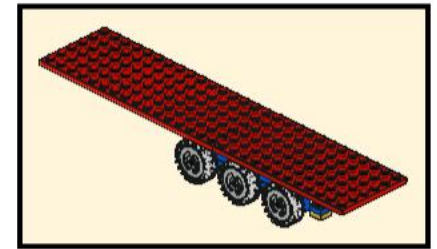
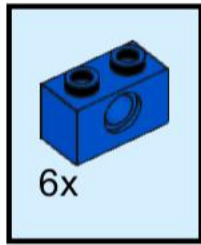
72



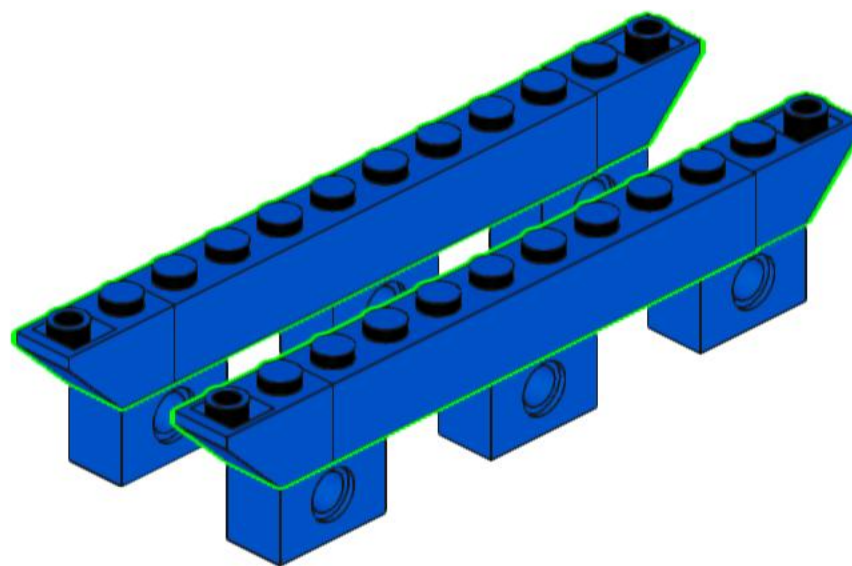
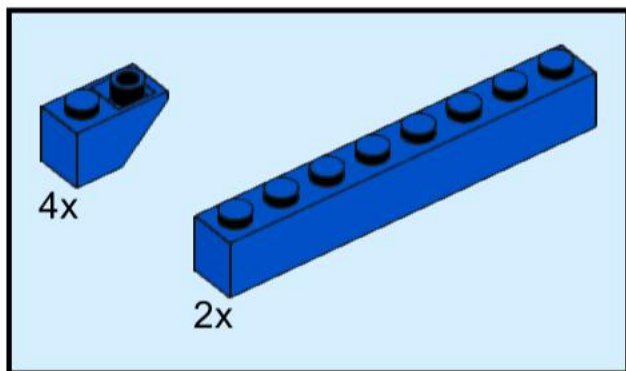
73



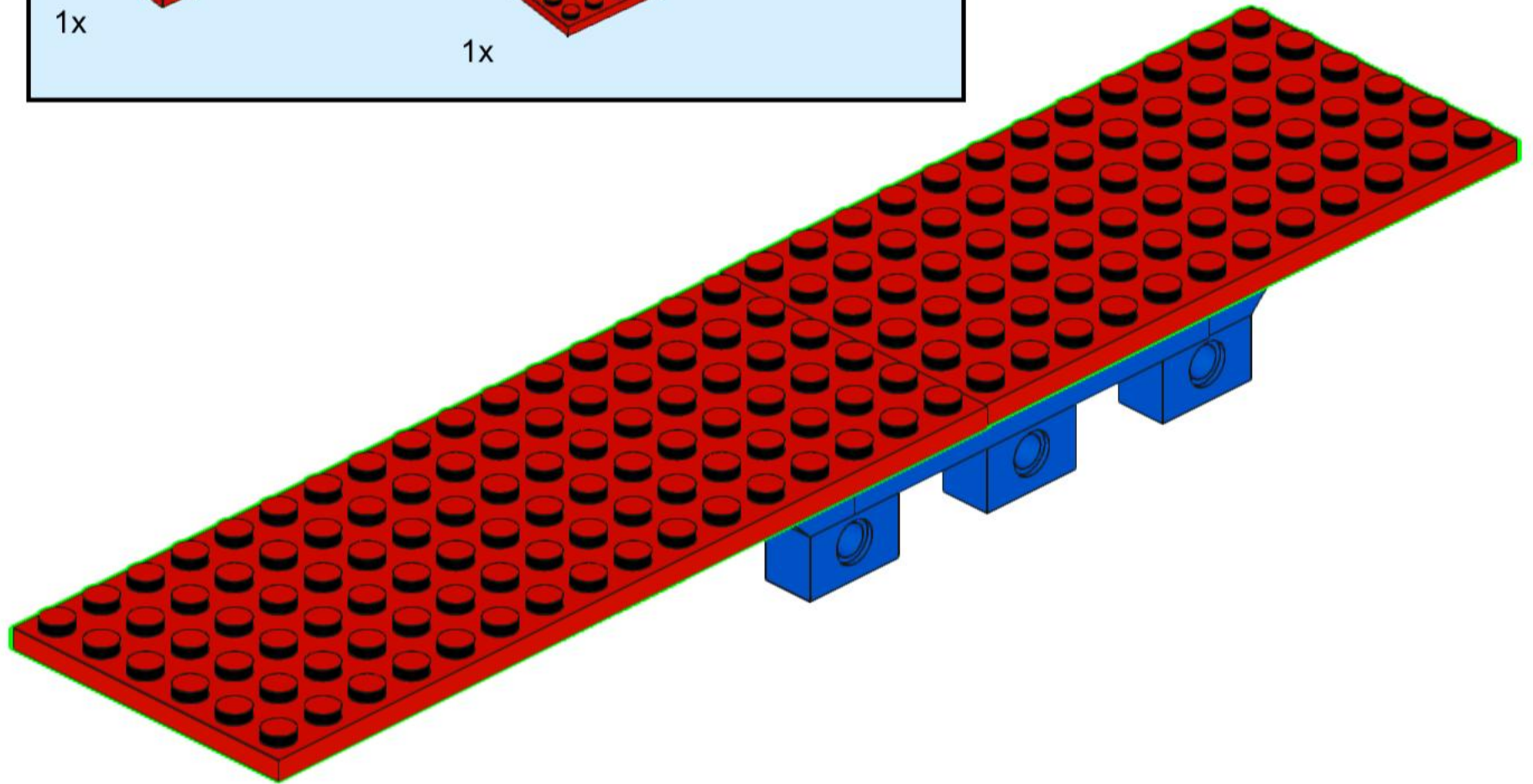
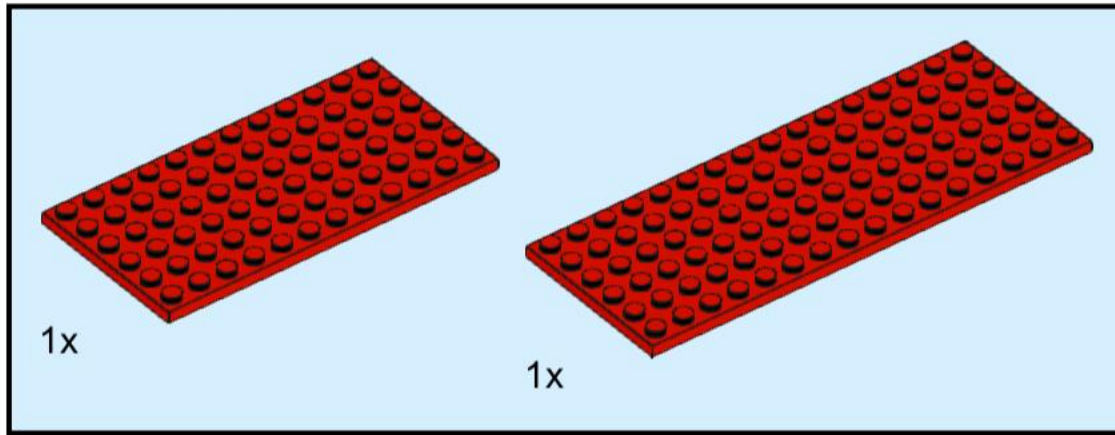
74



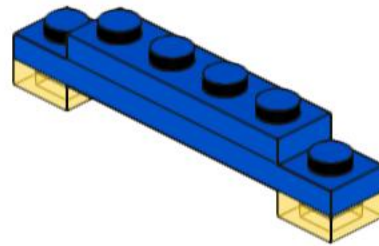
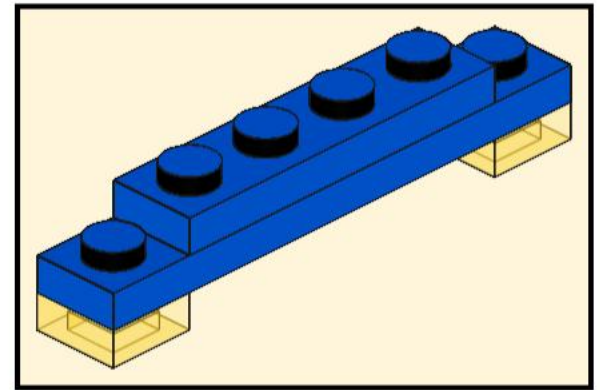
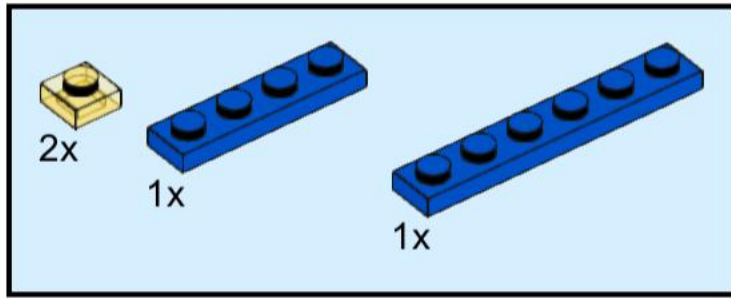
75



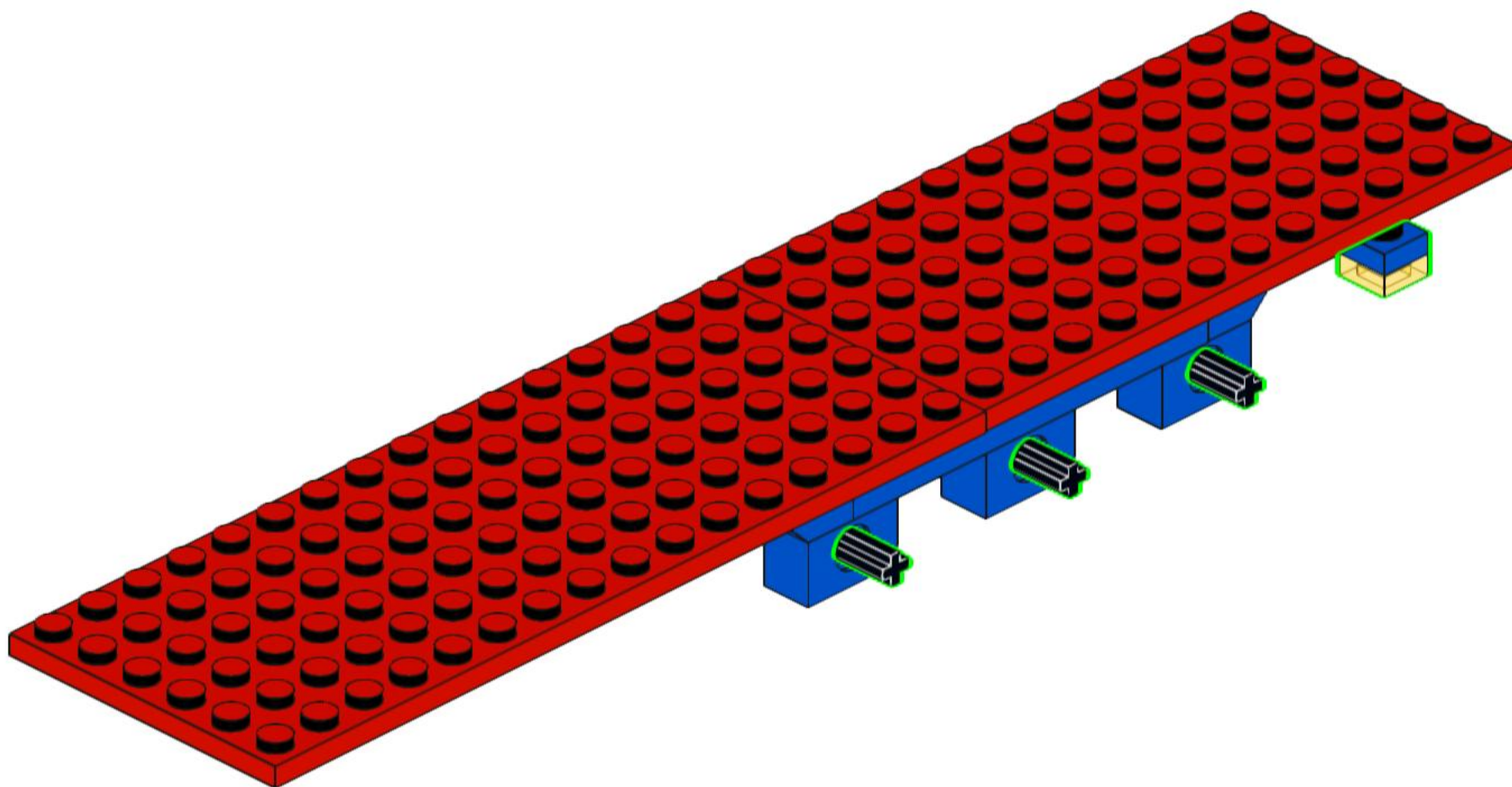
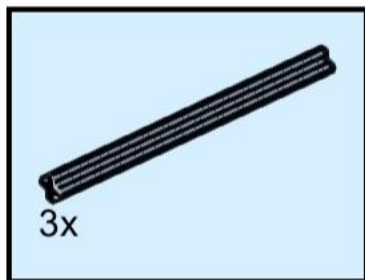
76



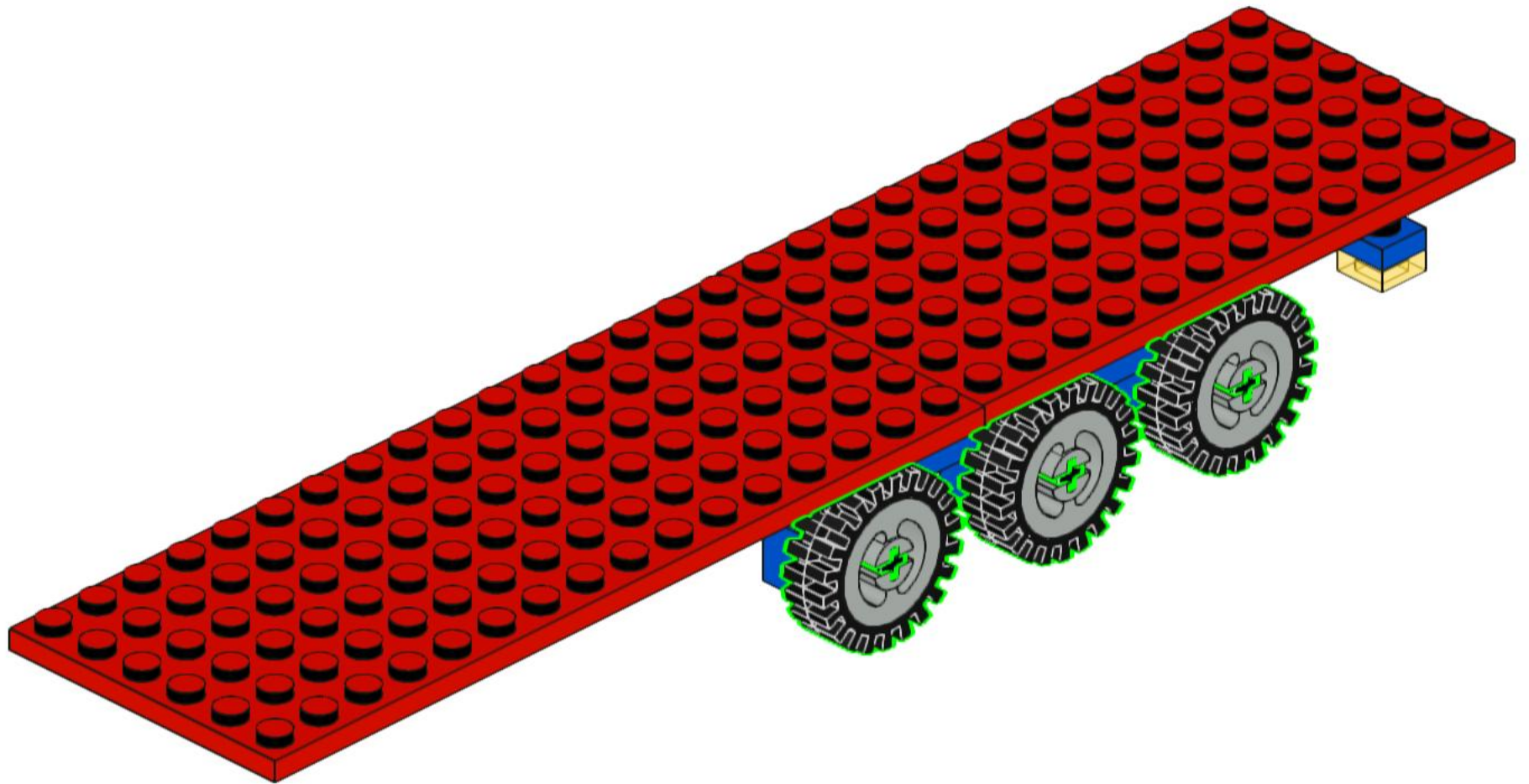
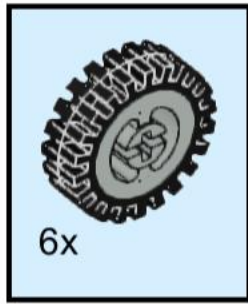
77



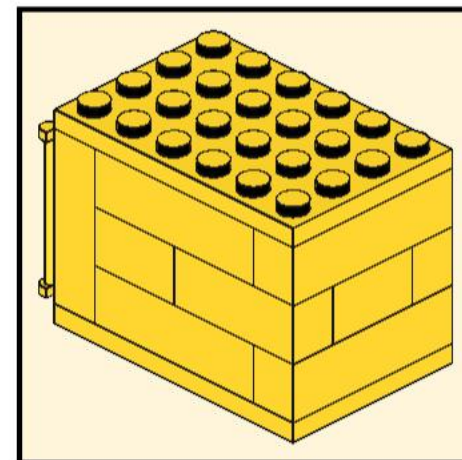
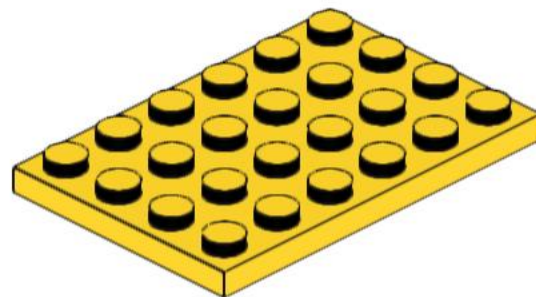
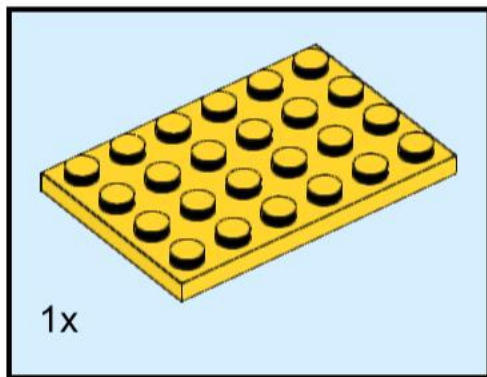
78



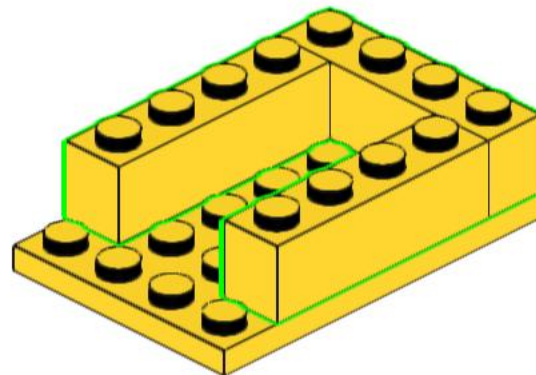
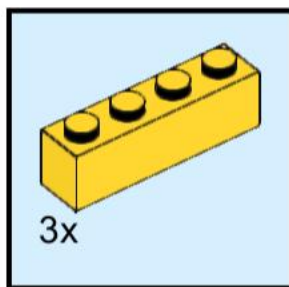
79



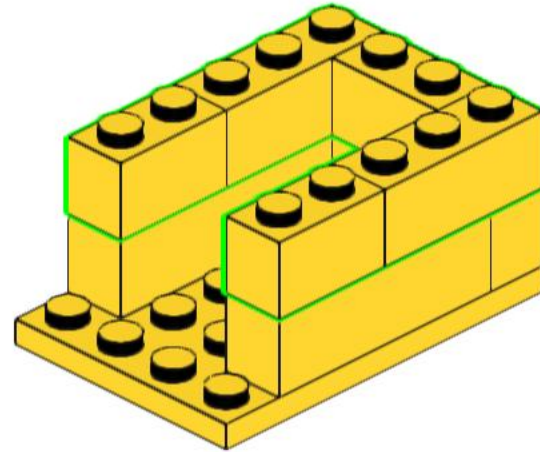
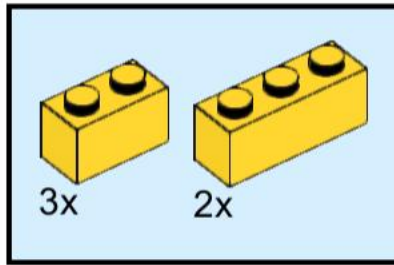
80



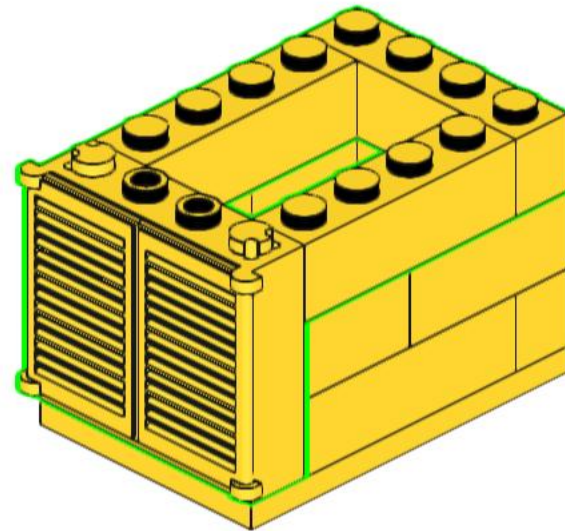
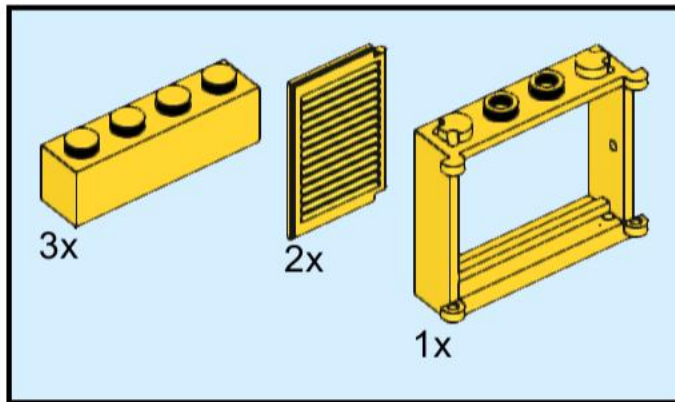
81



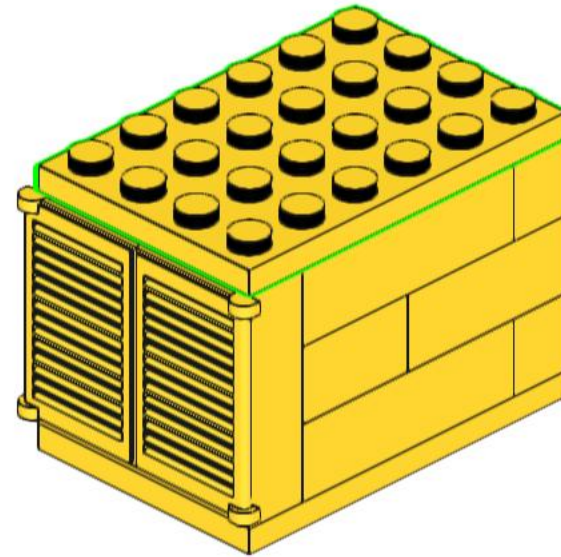
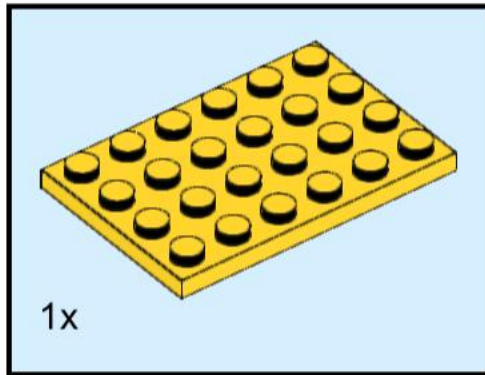
82



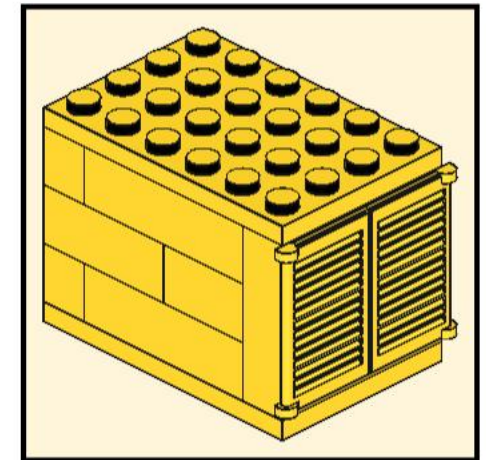
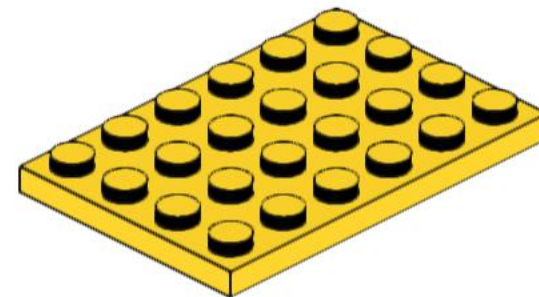
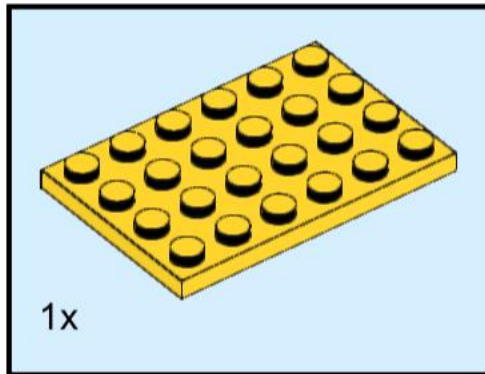
83



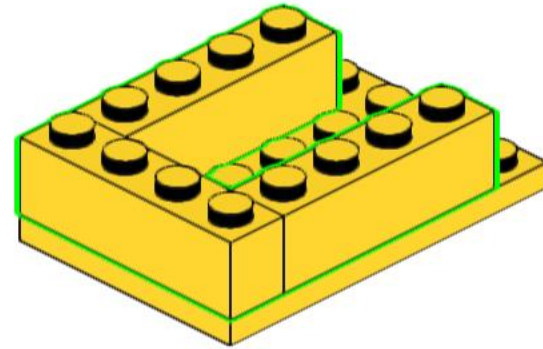
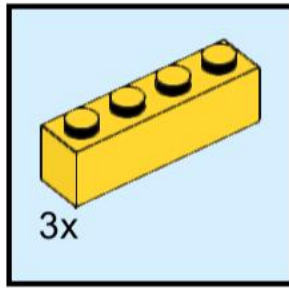
84



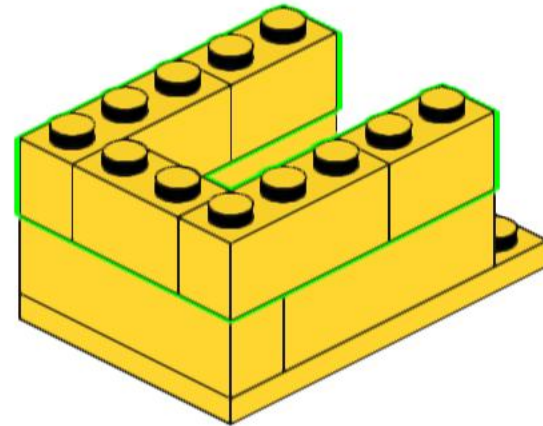
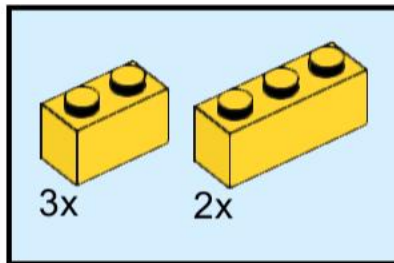
85



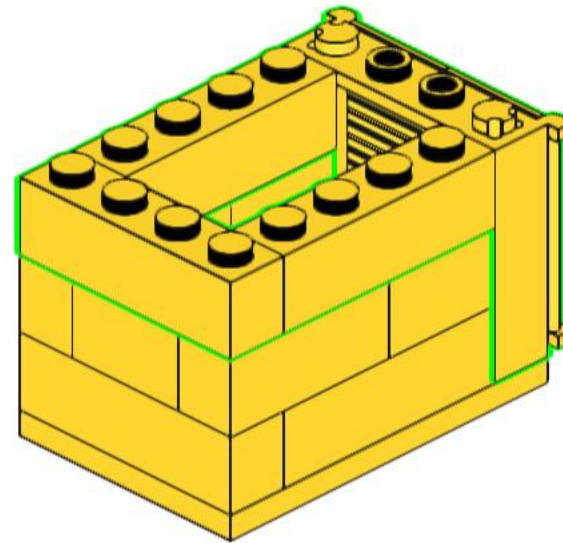
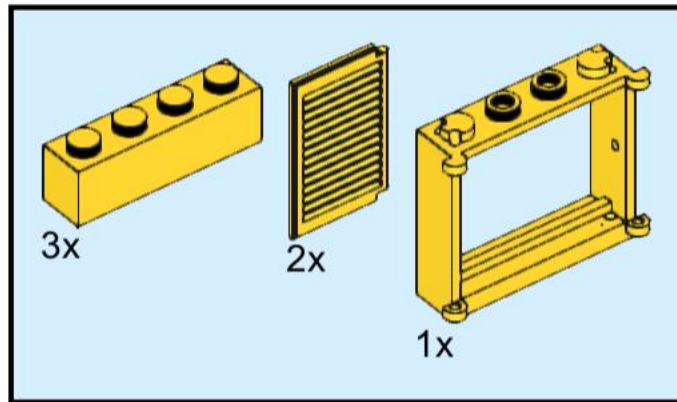
86



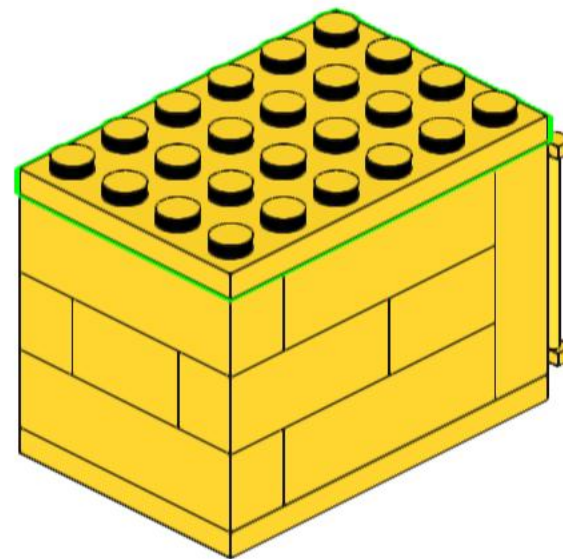
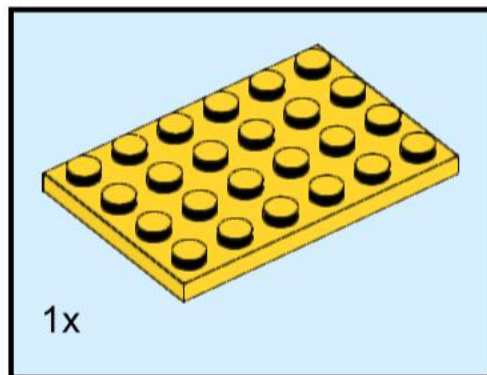
87

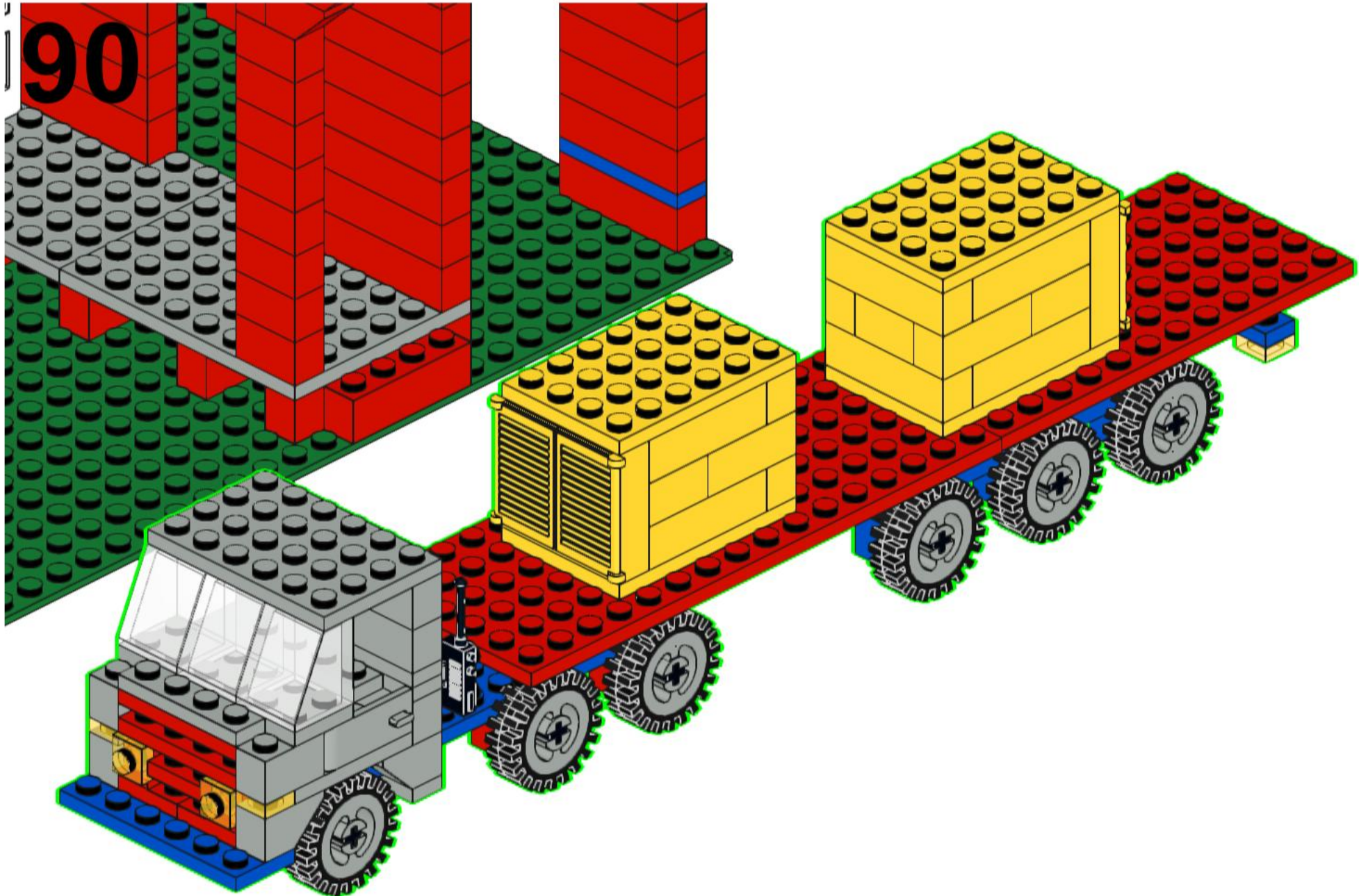


88

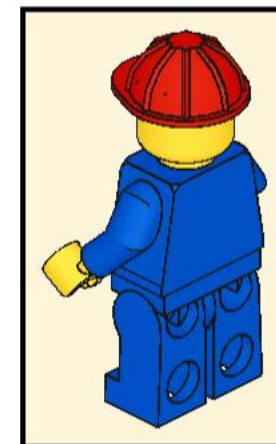
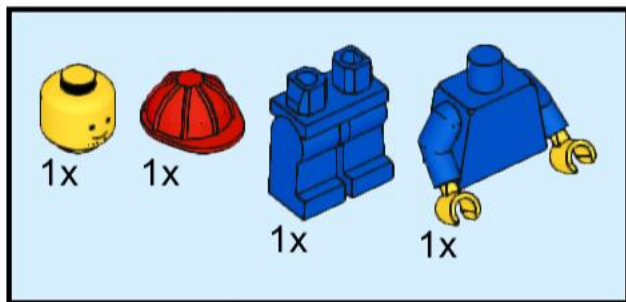


89

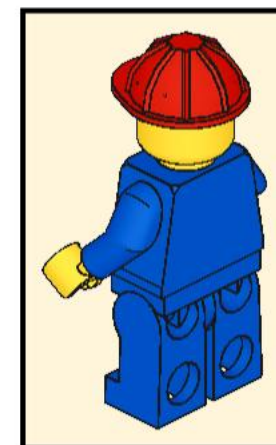
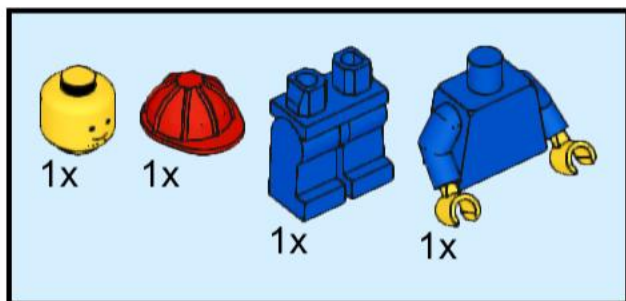




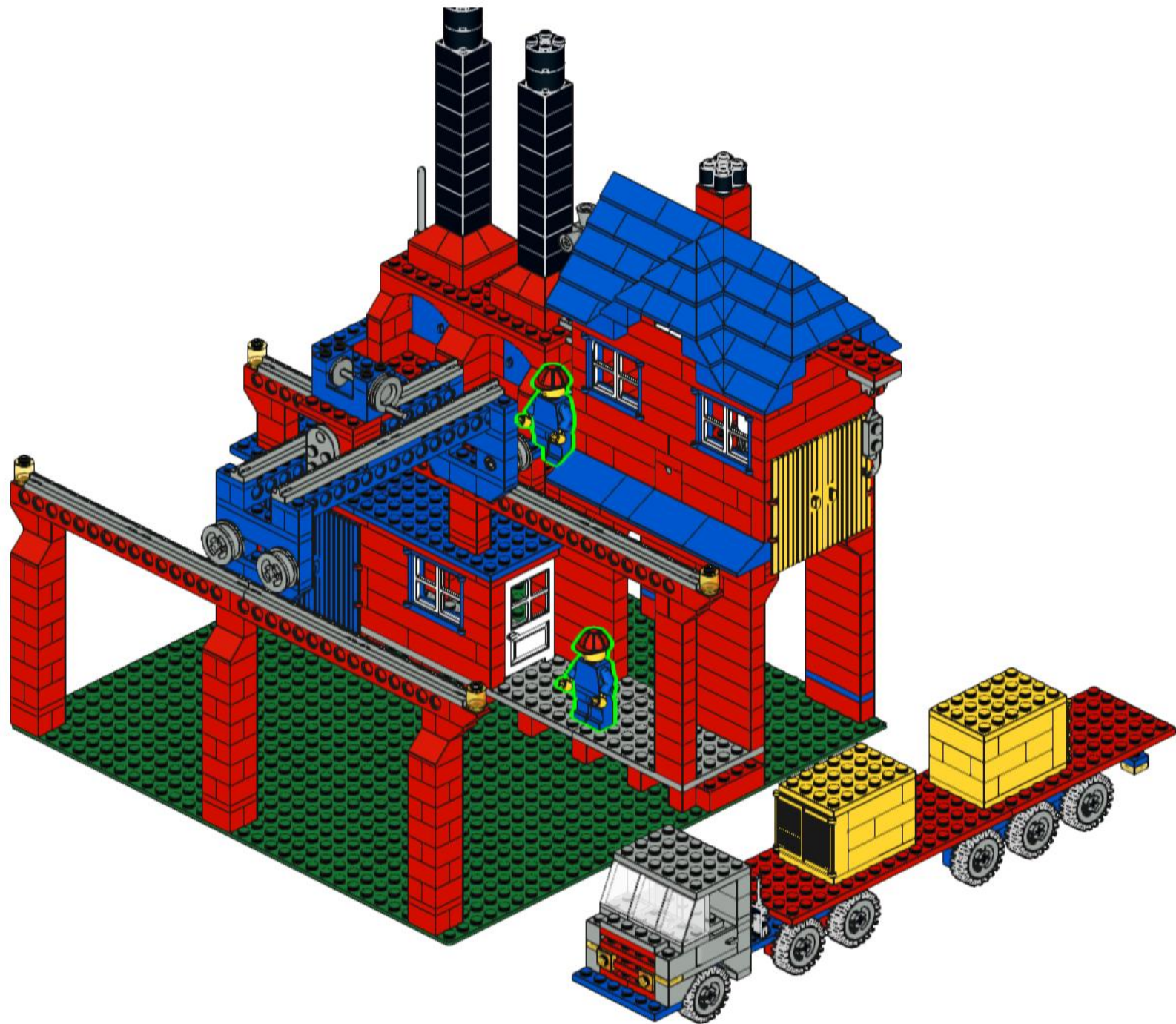
91



92



93




4x
3062
Black


4x
3941
Black


18x
3003
Black


1x
4006
Black


1x
3962a
Black


6x
3706
Black


2x
3024
Light Gray



3x
3062
Light Gray


3x
4085a
Light Gray


4x
3749
Light Gray


2x
3023
Light Gray


4x
3665
Light Gray



2x
3004
Light Gray


1x
3022
Light Gray


1x
8
Light Gray


1x
3660
Light Gray


4x
3482
Light Gray


1x
3821
Light Gray


1x
3822
Light Gray


1x
3176
Light Gray


1x
3839b
Light Gray


2x
3710
Light Gray


1x
3127
Light Gray


1x
3963
Light Gray


12x
3482c01
Light Gray



2x
3020
Light Gray


1x
3957
Light Gray


2x
3031
Light Gray


1x
445
Light Gray



2x
3666
Light Gray


3x
3009
Light Gray


2x
3032
Light Gray



1x
3036
Light Gray


6x
3228b
Light Gray


1x
3027
Light Gray


2x
39
White


6x
3854
White


1x
3861
White


8x
3024
Red


1x
3464
Red



2x
4070
Red

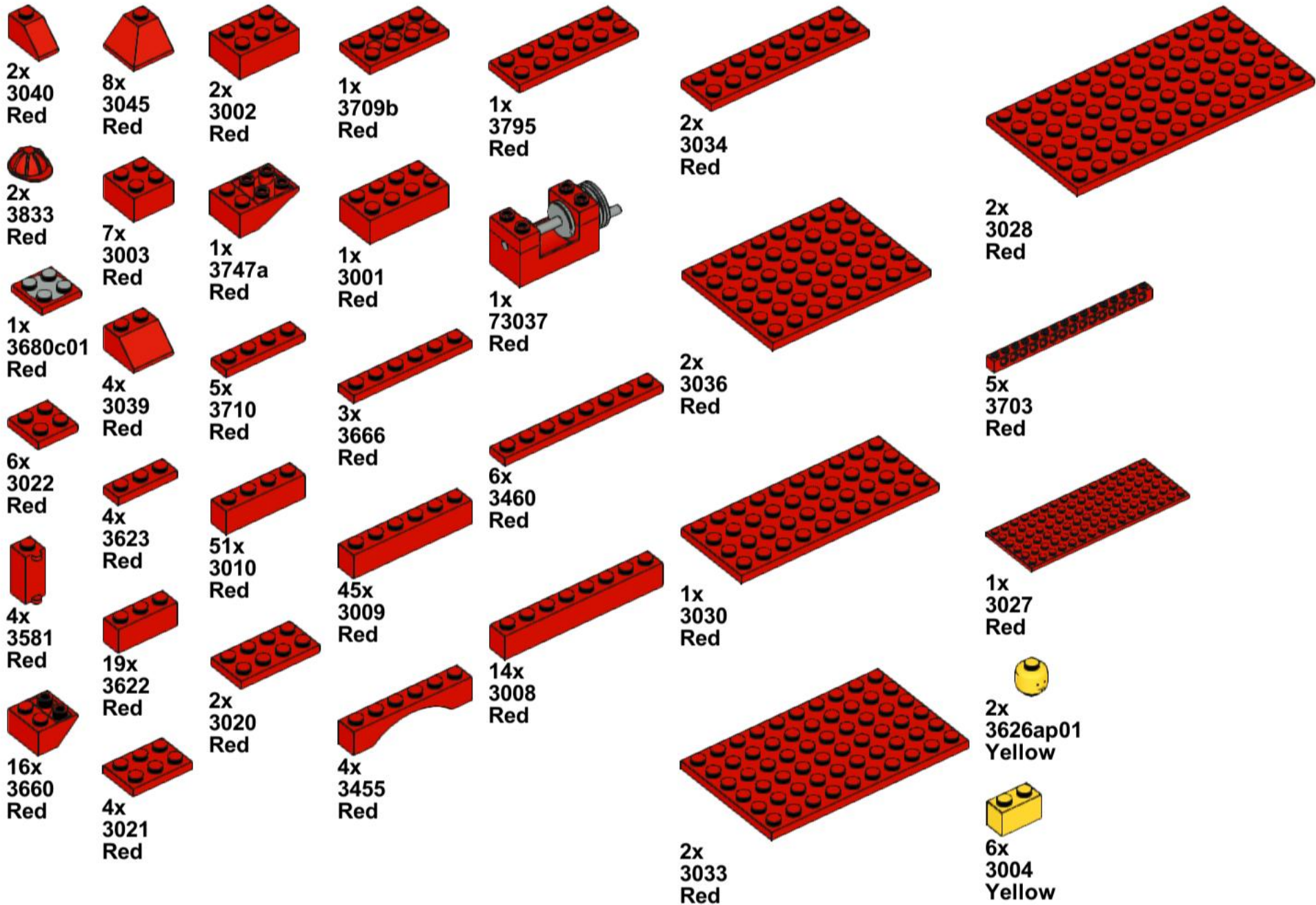

30x
3005
Red

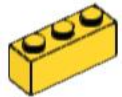

5x
3023
Red


10x
3665
Red


6x
3700
Red


83x
3004
Red

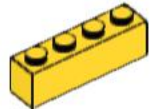




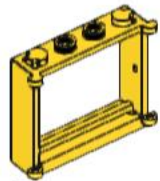
4x
3622
Yellow



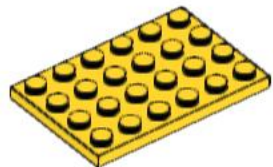
4x
3856
Yellow



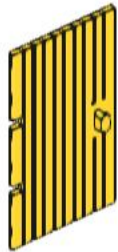
12x
3010
Yellow



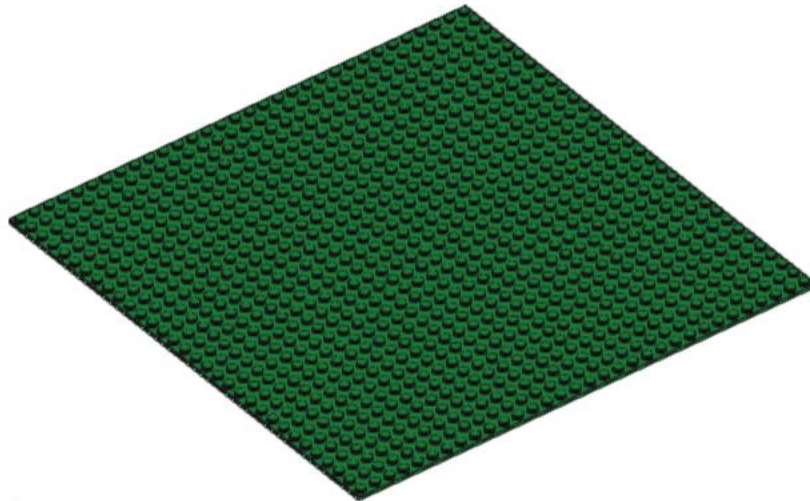
2x
3853
Yellow



4x
3032
Yellow



2x
3644
Yellow



1x
3811
Green



4x
3005
Blue



4x
3023
Blue



2x
3048a
Blue



3x
3040
Blue



10x
3700
Blue



2x
3004
Blue



8x
3665
Blue




1x
3049b
Blue



2x
970c00
Blue



1x
3189
Blue



3x
3297
Blue



1x
73037
Blue




1x
3958
Blue



3x
3678a
Trans-Clear



1x
3043
Blue



1x
3042
Blue



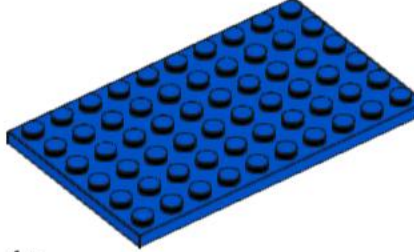
1x
3188
Blue



3x
3853
Blue



2x
3644
Blue



1x
3033
Blue




6x
3024
Trans-Yellow



7x
3039
Blue




5x
3038
Blue



2x
973c07
Blue



8x
3666
Blue



4x
3460
Blue



1x
3033
Blue




4x
3062
Trans-Yellow




8x
3045
Blue



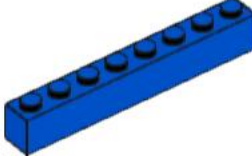
1x
3298
Blue



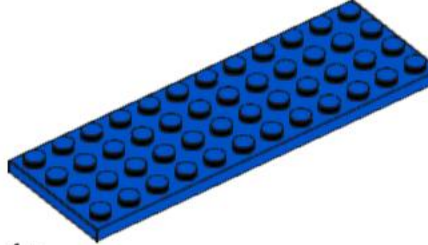
2x
3041
Blue



2x
3009
Blue



2x
3008
Blue




1x
3029
Blue



8x
3046
Blue



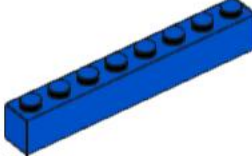
4x
3710
Blue



15x
3037
Blue



2x
3795
Blue



2x
3008
Blue



1x
3029
Blue



1x
3829c01
Blue



2x
3703
Blue